

DIAMOND 265

V0 - BALLAST, TOWING HITCHES

FRONT HITCHES

FRONT TOWING HITCH.....	V0.01.0 (1)
FRONT TOWING HITCH.....	V0.01.0 (2)
CATCHING MOUTH.....	V0.01.1 (1)

REAR HITCHES

FRAME HOOK HOLDER.....	V0.02.1 (1)
FRAME HOOK HOLDER.....	V0.02.2 (1)
FRAME HOOK HOLDER.....	V0.02.4 (1)
FRAME HOOK HOLDER.....	V0.02.5 (1)
FRAME HOOK HOLDER mm 723.....	V0.02.7 (1)
REAR TOWING HITCH CAT: "C".....	V0.02.9 (1)
REAR TOWING HITCH CAT: "D2".....	V0.02.10 (1)
REAR TOWING HITCH CAT: "D3".....	V0.02.11 (1)
REAR TOWING HITCH CAT: "C".....	V0.02.13 (1)
REAR TOWING HITCH CAT: "D2".....	V0.02.14 (1)
REAR TOWING HITCH CAT: "C".....	V0.02.15 (1)
REAR TOWING HITCH CAT: "D3".....	V0.02.17 (1)
REAR TOWING HITCH CAT: "D3".....	V0.02.18 (1)
REMOTE CONTROL FOR AUTOMATIC REAR TOWING HITCH.....	V0.02.20 (1)
TOWING COUPLING AUTOM. MM 38 - DRAWBAR EYE MM 52.....	V0.02.24 (1)
TOWING COUPLING AUTOM. MM 38 - DRAWBAR EYE MM 63.....	V0.02.26 (1)
REAR TOWING HITCH Ø mm 80.....	V0.02.28 (1)
PICK-UP-HITCH.....	V0.02.30 (1)
PICK-UP-HITCH.....	V0.02.30 (2)
REAR TOWING HITCH.....	V0.02.32 (1)
TOWING BAR.....	V0.02.33 (1)
TOWING BAR.....	V0.02.35 (1)
PICK-UP-HITCH.....	0.015.0245.4/20.A
DRAWBAR COUPLING.....	0.015.9802.3/10.A
DRAWBAR COUPLING.....	0.015.9803.3/10.A
DRAWBAR COUPLING.....	0.015.9804.3/10.A
REAR TOWING HITCH CAT: "C" - V.ORLANDI -.....	04436801.A
DRAWBAR COUPLING GRASSI.....	04437500.A
DRAWBAR COUPLING GRASSI.....	04437501.A
REAR TOWING HITCH BRACKET GRASSI.....	04437502.A
SUPPORT - V.ORLANDI -.....	04437502/10.A
TOWING BAR GRASSI.....	04437503.A
FRAME HOOK HOLDER.....	04451934.A
FRAME HOOK HOLDER.....	04451935.A
FRAME HOOK HOLDER.....	04451936.A
PICK-UP.....	04451937.A

CLICK HERE TO **DOWNLOAD** THE COMPLETE MANUAL

- Thank you very much for reading the preview of the manual.
- You can download the complete manual from: www.heydownloads.com by clicking the link below



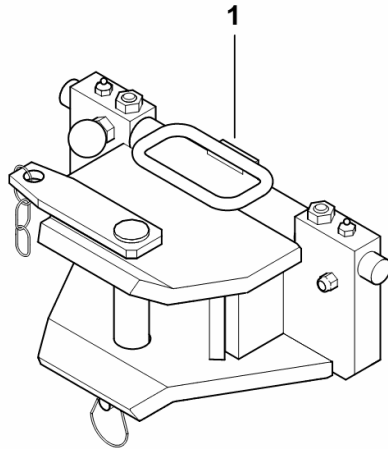
- Please note: If there is no response to CLICKING the link, please download this PDF first and then click on it.

CLICK HERE TO **DOWNLOAD** THE COMPLETE MANUAL

Fig.	Code	QTY	Name
------	------	-----	------

Notes:
[DIAMOND 265] 3368 <-

1	04436801	1.000	clevis GRASSI CAT. " C " 🔗 04436801
---	----------	-------	--



K9_A0131_71_0-A-001

DIAMOND 265

Section: V0 - BALLAST, TOWING HITCHES

Ref.: V0.02.26 (1)

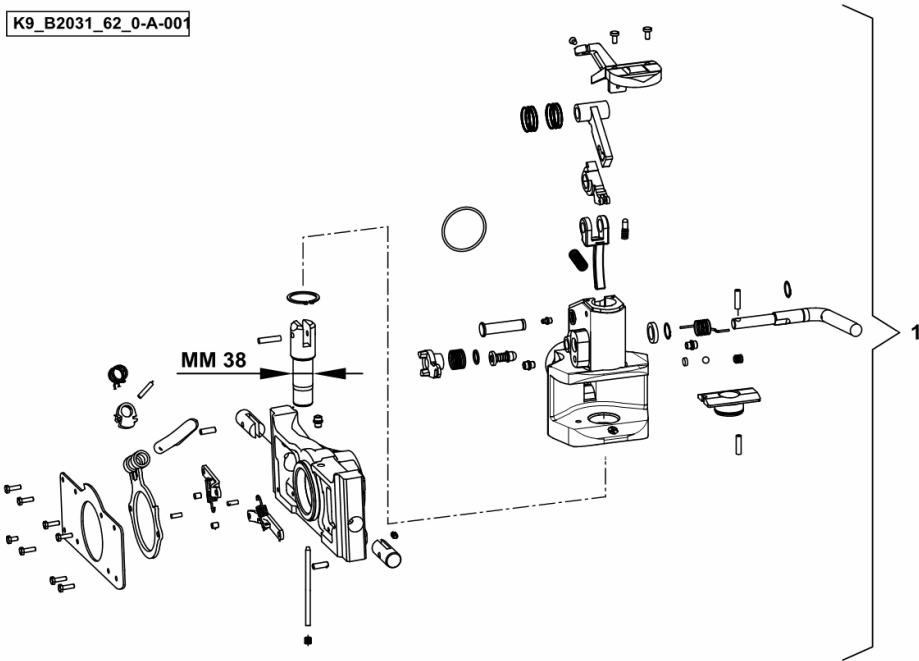
TOWING COUPLING AUTOM. MM 38 - DRAWBAR EYE MM 63

Fig.	Code	QTY	Name
------	------	-----	------

Notes:
[DIAMOND 265]

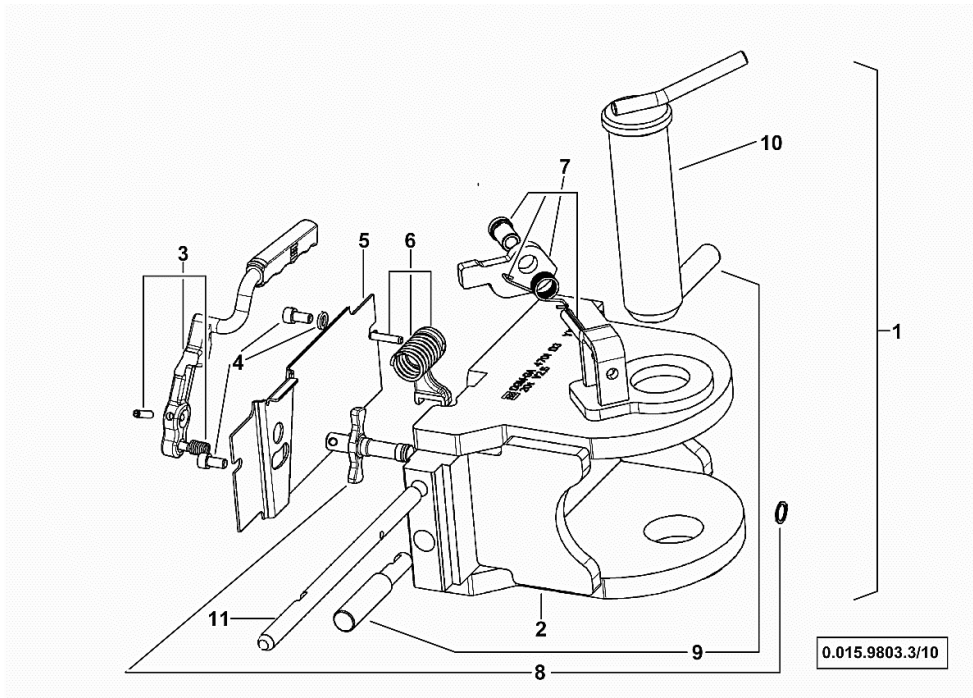
1	04451948	1	tow hook SAUERMANN ☞ 04451948
---	----------	---	----------------------------------

K9_B2031_62_0-A-001



DRAWBAR COUPLING

Fig.	Code	QTY	Name
1	0.015.9803.3/10	1	tow hook CBM CUNA - CAT. D3
2	0.900.1272.2	1	clevis
3	0.900.1270.1	1	parts set
4	0.900.1270.2	1	screw kit
5	0.900.1272.3	1	plate
6	0.900.1271.5	1	parts set
7	0.900.1272.0	1	parts set
8	0.900.1270.6	1	parts set
9	0.900.1270.7	1	parts set
10	0.900.1272.4	1	pin
11	0.900.1178.9	1	pin



FRAME HOOK HOLDER

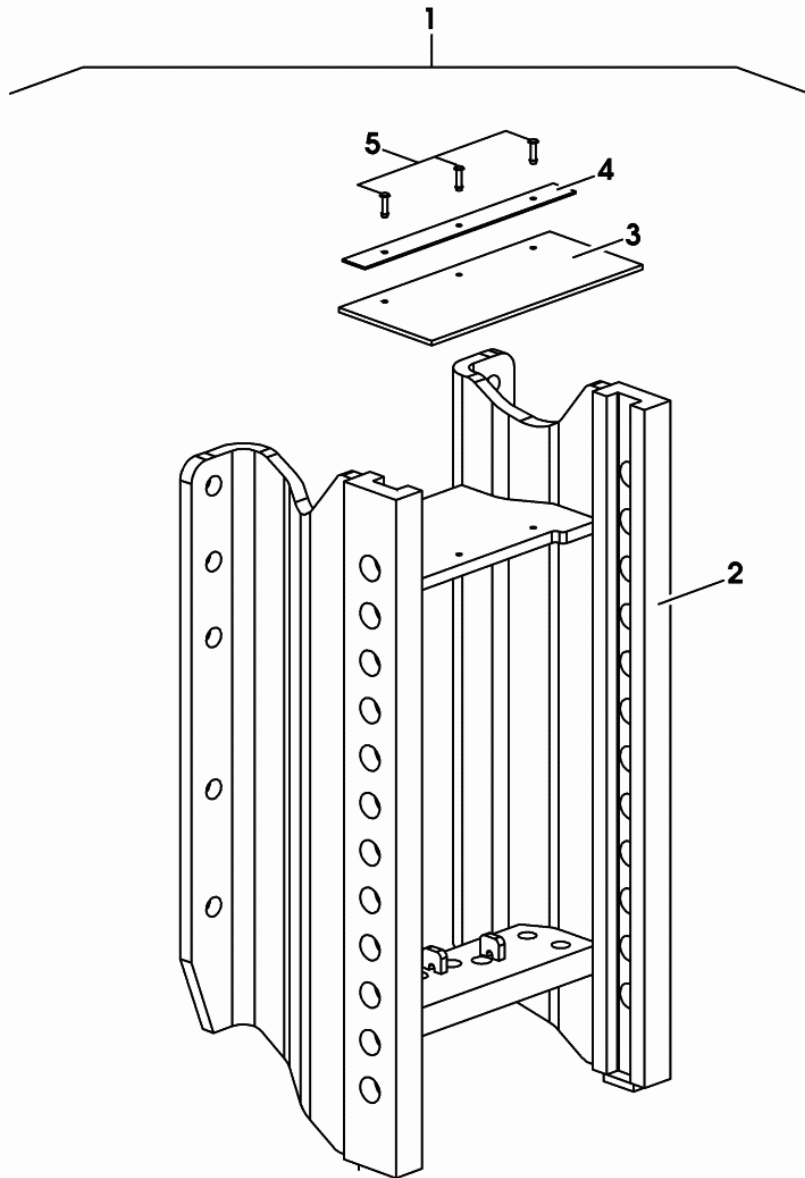


Fig.	Code	QTY	Name
1	04451936	1	chassis frame - SAUERMANN -
2	0.000.0000.1	1	not serviceable
3	0.900.0006.0	1	plate
4	0.900.0006.1	1	lamination
5	0.000.0000.1	1	not serviceable

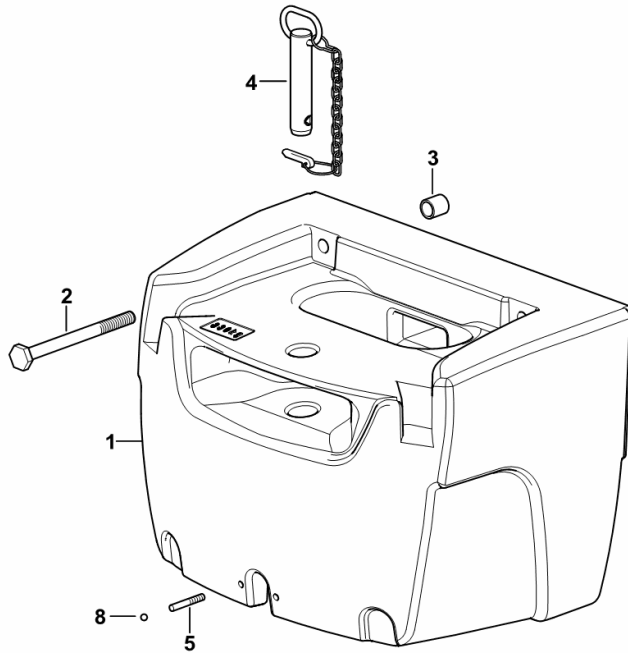
04451936

FRONT BALLAST 330 Kg

Fig.	Code	QTY	Name
------	------	-----	------

Notes:
[DIAMOND 265]

1	04432782/30	1	ballast 330 Kg
2	2.0119.282.6	4	screw m 16 x 120
3	2.2680.047.0	2	ring 17x22x23
4	0.014.9894.4	1	pin
5	2.1630.719.2	2	pin 8 x 60
8	01167310	2	bottom



K9_95052_45_0-A-002

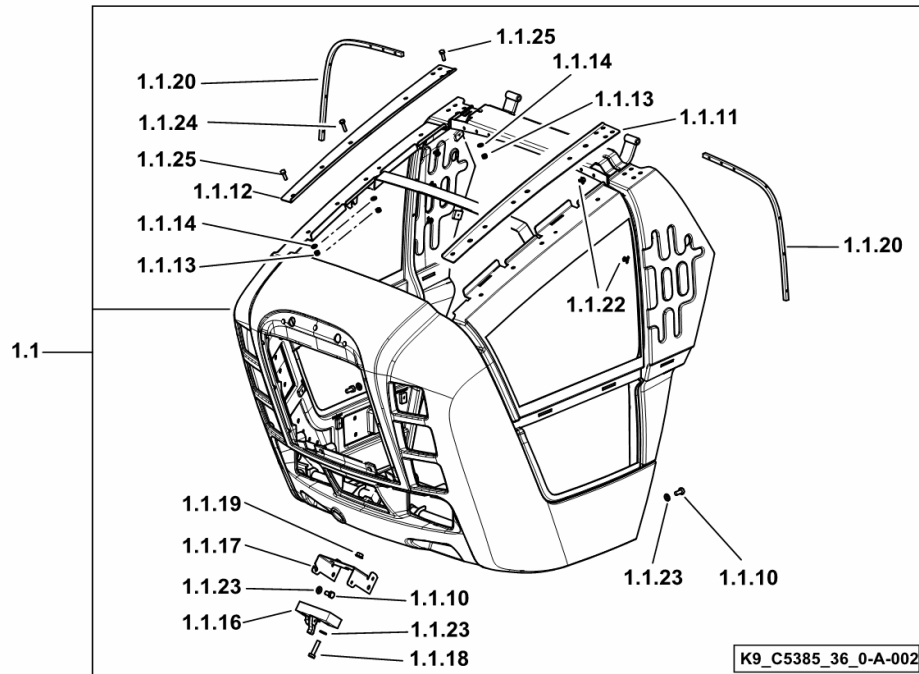
HOOD FRONT PART

Fig.	Code	QTY	Name
------	------	-----	------

Notes:

- FOR RIGHT-HAND DRIVE [DIAMOND 265] -> 3338

1.1	0.014.1689.4/10	1	grille/grid
1.1.10	2.0112.205.2	6	screw m 8 p.1.25 x 16
1.1.11	0.013.6353.0	1	brace sx/lh/li
1.1.12	0.013.6377.0	1	brace dx/rh/re
1.1.13	2.1120.103.2	16	nut m 6
1.1.14	2.1310.002.2	16	washer 6.6, d125
1.1.16	0.013.0113.4	1	lock
1.1.17	0.013.4667.0/10	1	support
1.1.18	2.0112.213.2	2	screw m 8 p.1.25 x 35
1.1.19	2.1071.004.0	2	special nut m 8 p.1.25
1.1.20	0.014.7136.0	1	brace
1.1.22	2.1851.005.0	14	rivet 4.8
1.1.23	2.1310.004.2	8	flat washer 8.5
1.1.24	2.0112.009.2	2	screw m 6 p.1 x 25
1.1.25	2.0112.007.2	14	screw m 6 p.1 x 20



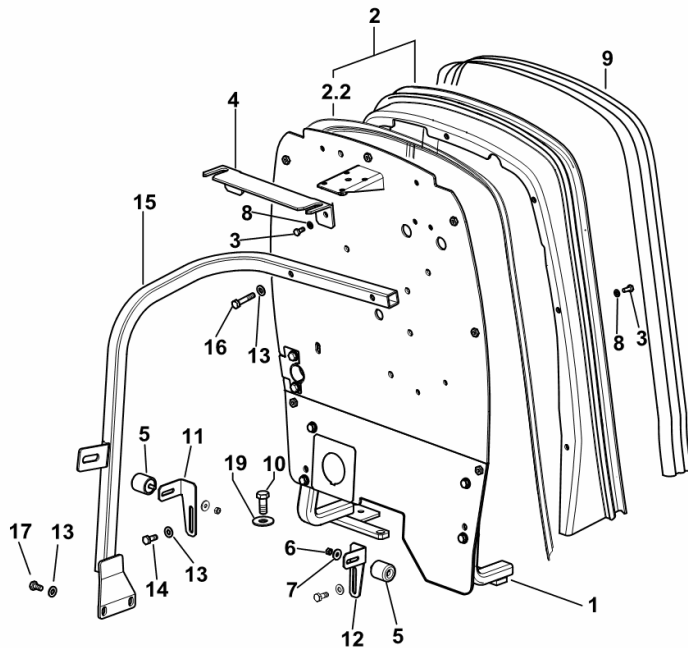
HOOD - GUARDS

Fig.	Code	QTY	Name
------	------	-----	------

Notes:

[DIAMOND 265] 3222 <-

1	0.013.1715.4/40	1	chassis frame
2	0.013.6479.4	1	chassis frame
2.2	0.013.6578.0	1	sealing section
3	2.0112.004.2	9	screw m 6 p.1 x 14
4	0.013.3570.0/10	1	support
5	0.008.6725.2	2	small block
6	2.1011.103.2	2	nut m 6 p.1
7	2.1312.003.2	2	washer 6
8	2.1311.004.2	9	flat washer 6, d128
9	0.013.4486.0	1	gasket
10	2.0112.411.2	2	screw m 12 p.1.75 x 30 (-> 3001)
11	0.013.4836.0/10	1	support dx/rh/re
12	0.013.4837.0/10	1	support sx/lh/li
13	2.1310.004.2	6	flat washer 8.5
14	2.0112.207.2	2	screw m 8 p 1.25 x 20
15	0.013.5575.2	1	support
16	2.0112.215.2	2	screw m 8 p.1.25 x 40
17	2.0112.205.2	2	screw m 8 p.1.25 x 16
19	2.1312.006.2	2	washer 14.5



K9_B2072_02_0-A-001

Section: G0 - BODYWORK - CAB
SPEED LABEL - 40 KM/H

Fig.	Code	QTY	Name
------	------	-----	------

Notes:
[DIAMOND 265]

1	04382527	1	plate 40 KM/H
---	----------	---	---------------



K9_95074_32_0-A-001

WARNING PLATES

Fig.	Code	QTY	Name
------	------	-----	------

Notes:

[DIAMOND 265] -> 3375

1.1	2.9939.295.0	1	plate - STARTER MOTOR
1.2	2.9939.297.0	1	plate - BRAKE FLUID
1.3	2.9939.274.0	1	plate - P.T.O.
1.4	2.9939.272.0	1	plate - USE AND MAINTENANCE HANDBOOK
1.5	2.9939.296.0	1	plate - SAFETY BELT

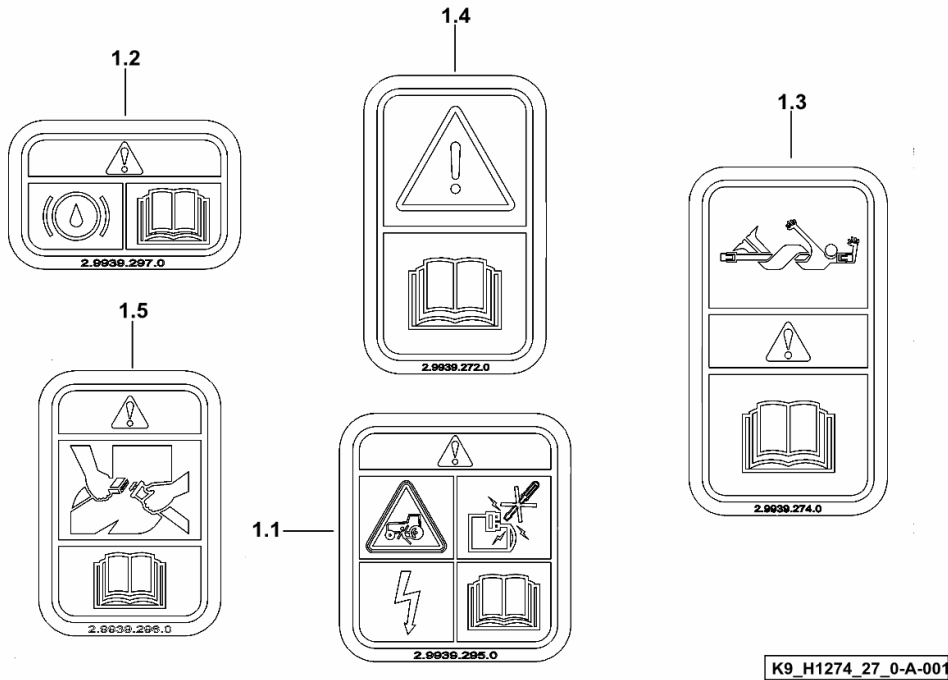


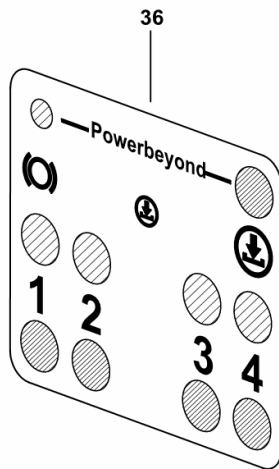
PLATE FOR 8-WAY REMOTE VALVE

Fig.	Code	QTY	Name
------	------	-----	------

Notes:

[DIAMOND 265] -> 3374

36	04452238	1	stickers
----	----------	---	----------



K9_F5888_35_0-B-001

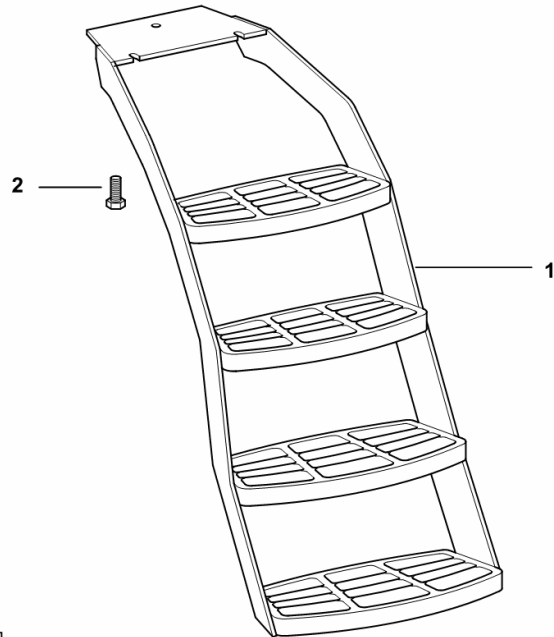
LADDER

Fig.	Code	QTY	Name
------	------	-----	------

Notes:

[DIAMOND 265] 3001 <-

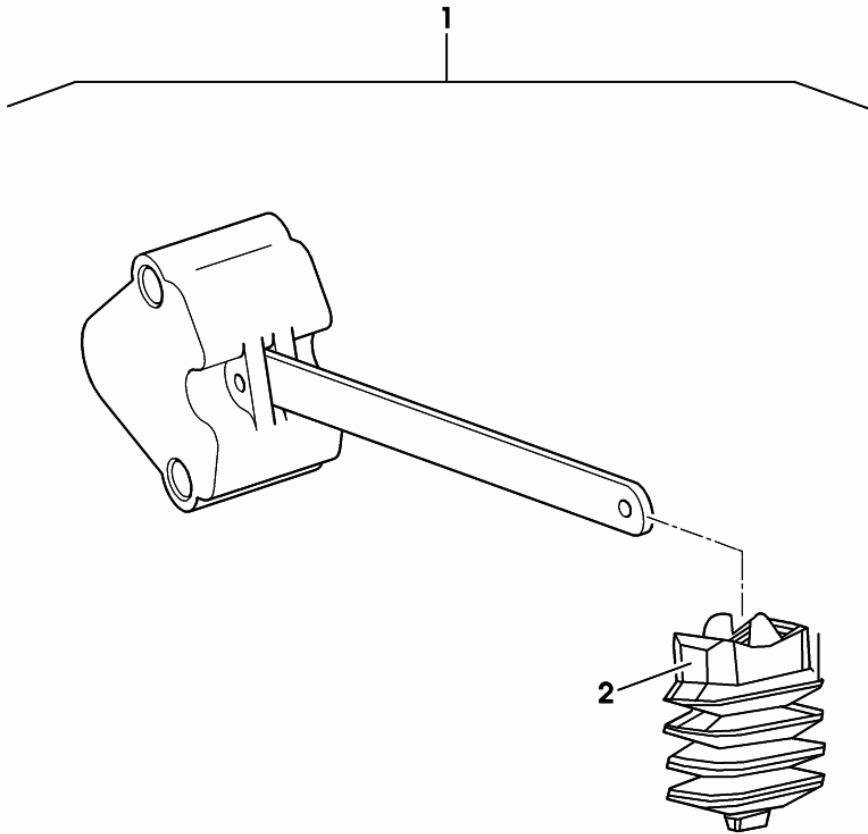
1	04432087.4	2	foot board
2	2.0112.311.2	6	screw m 10 p.1.5 x 30



K9_A0576_00_0-A-001

RELAY VALVE

Fig.	Code	QTY	Name
1	04432191	1	valve
2	0.900.0134.9	1	bellows



04432191

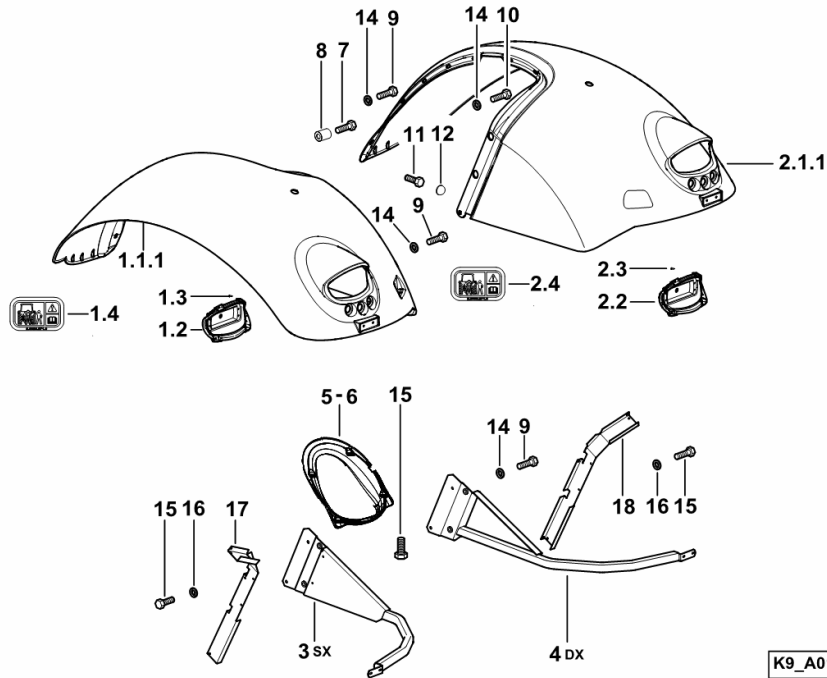
REAR MUDGUARDS

Fig.	Code	QTY	Name
------	------	-----	------

Notes:

[DIAMOND 265]

1.1.1	0.011.8887.2/10	1	fender sx/lh/li
1.2	0.012.0203.0	1	support
1.3	2.0350.455.3	4	screw m 4.2
1.4	2.9939.271.0	1	plate
2.1.1	0.011.8889.2/10	1	fender dx/rh/re
2.2	0.012.0204.0	1	support
2.3	2.0350.455.3	4	screw m 4.2
2.4	2.9939.271.0	1	plate
3	0.012.1816.3	1	support sx/lh/li
4	0.012.1880.3	1	support dx/rh/re
5	0.012.0201.0	1	guard sx/lh/li
6	0.012.0202.0	1	guard dx/rh/re
7	2.0112.215.2	2	screw m 8 p.1.25 x 40
8	04415539	2	bushing
9	2.0112.207.2	16	screw m 8 p.1.25 x 20
10	2.0112.211.2	4	screw m 8 p.1.25 x 30
11	04428727	2	screw
12	04419538	2	guard
14	2.1310.004.2	20	flat washer 8.5
15	2.0112.005.2	12	screw m 6 p.1 x 16
16	2.1310.002.2	4	washer 6.6, d125
17	0.012.1891.2	1	guide sx/lh/li
18	0.012.1900.2	1	guide dx/rh/re



K9_A0176_20_0-A-001

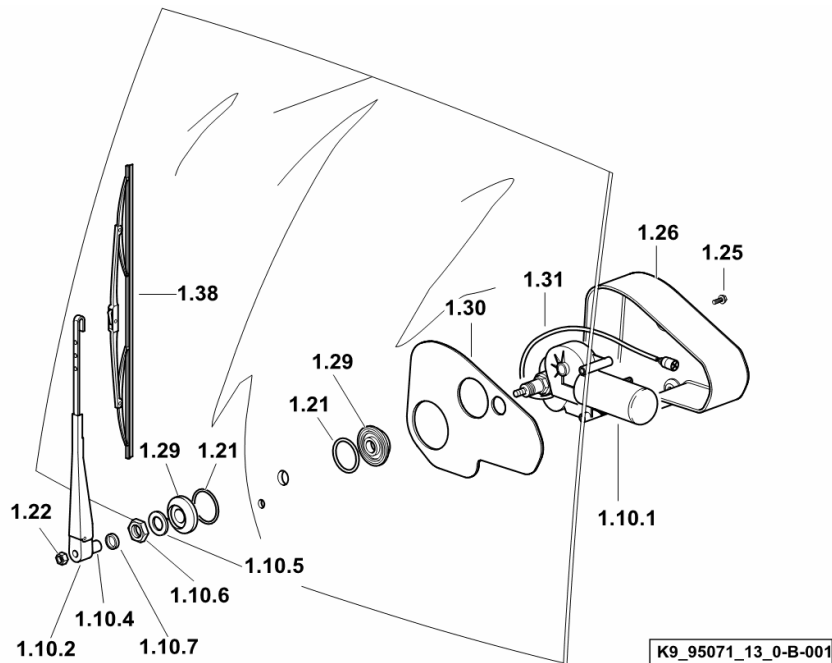
WINDSCREEN WIPER FOR OPENABLE WINDSCREEN

Fig.	Code	QTY	Name
------	------	-----	------

Notes:

[DIAMOND 265]

1.10.1	04413192	1	wiper motor
1.10.2	04413193	1	arm
1.10.4	04413208	2	bushing
1.10.5	04414586	4	spacer
1.10.6	04413207	1	nut
1.10.7	04413210	1	cap
1.21	01166059	4	'o' ring 40x3
1.22	2.1120.105.2	4	selflock nut m 8 p.1.25
1.25	2.0330.406.2	2	screw m 6 p.1.0 x 16
1.26	04412044	1	cover
1.29	04413223	2	washer
1.30	04414610	1	gasket
1.31	04412045	1	electrical system
1.38	04413194	1	wiper blade



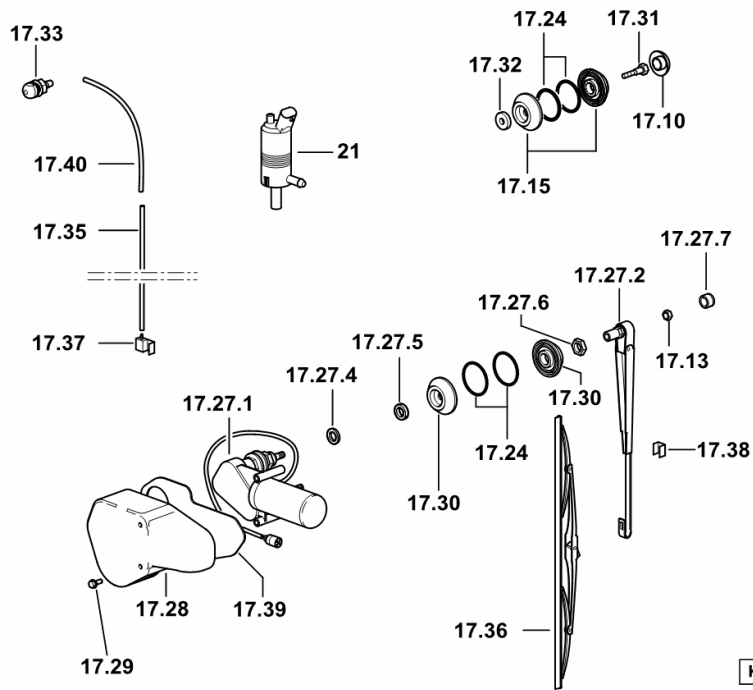
SCREEN WIPER REAR

Fig.	Code	QTY	Name
------	------	-----	------

Notes:

FOR TYPES WITH OPENABLE WINDSCREEN [DIAMOND 265]

17.10	04413793	7	cap
17.13	2.1120.105.2	5	selflock nut m 8 p.1.25
17.15	04412814	4	washer
17.24	01166059	6	'o' ring 40x3
17.27.1	04413192	1	wiper motor
17.27.2	04413193	1	arm
17.27.4	04413208	2	bushing
17.27.5	04414586	4	spacer
17.27.6	04413207	1	nut
17.27.7	04413210	1	cap
17.28	04412044	1	cover
17.29	2.0330.406.2	2	screw m 6 p.1.0 x 16
17.30	04413223	2	washer
17.31	04413809	1	screw
17.32	04413808	1	washer 6.5x20x5
17.33	0.9231.556.4	1	cooling nozze
17.35	04423678	1	flexible hose
17.36	04422321	1	wiper blade
17.37	04413183	1	cooling nozze
17.38	04413184	1	brace
17.39	04414610	1	gasket
17.40	01396853	1	flexible hose
21	04414105	1	electropump



K9_95071_15_0-B-001

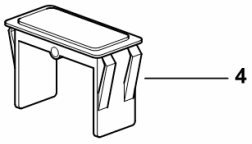
PLUG

Fig.	Code	QTY	Name
------	------	-----	------

Notes:

[DIAMOND 265] 3220 <-

4	0.012.6111.4	1	small cover (3001 <-)
---	--------------	---	-------------------------

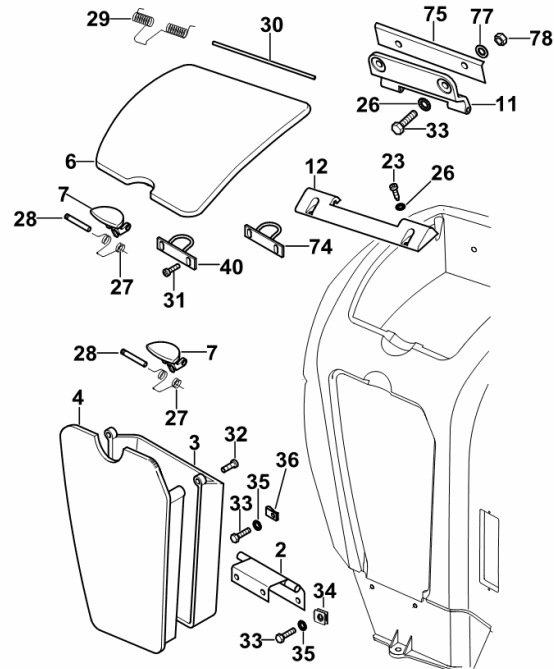


K9_B2084_01_0-C-001

Section: G0 - BODYWORK - CAB
CONTROL CONSOLE - SX/LH/LI

Fig.	Code	QTY	Name
------	------	-----	------

Notes:
 [DIAMOND 265]



2	0.010.9992.2	1	hinge
3	04429198	1	glove pocket
4	04429199	1	cover
6	04429286	1	cover
7	0.010.9955.0	2	handle
11	0.010.9987.0	1	hinge
12	0.010.9988.0/10	1	hinge
23	04419646	4	self tapping screw
26	2.1312.001.2	2	washer 4
27	2.4099.120.3/10	2	spring
28	2.1699.510.2	2	pin
29	2.4099.135.2	1	spring
30	2.1659.520.3	1	pin
31	04412976	4	screw 4.8x19
32	2.0350.253.3	9	screw m 3.5 x 9.5 AB
33	2.0114.007.2	8	screw m 6 p.1 x 20
34	04429941	4	nut
35	01119810	9	washer 6.4
36	2.6999.064.6	2	special nut m 6
40	04429682	1	support
74	04429203	1	support
75	04451325	1	support
77	2.1310.002.2	2	washer 6.6, d125
78	2.1120.003.2	2	nut m 6

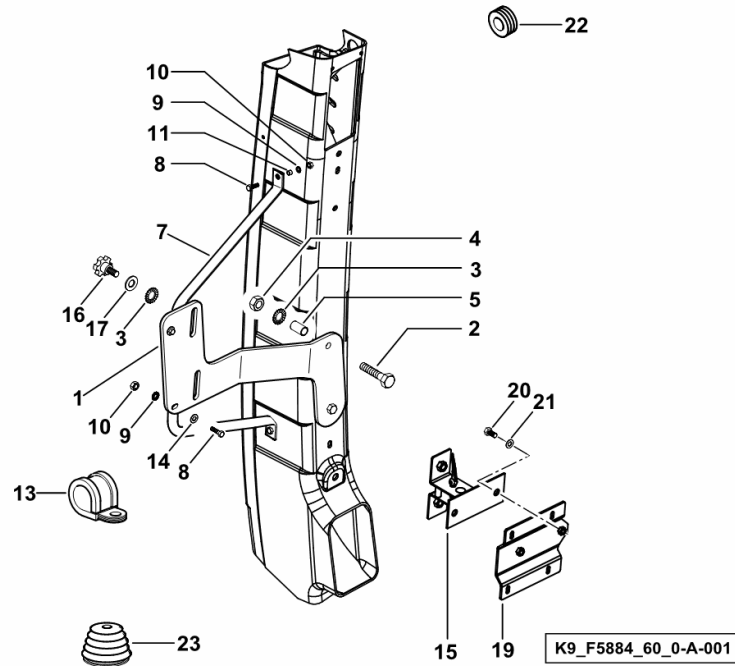
K9_95071_26_0-B-001

SUPPORT FOR MONITOR

Fig.	Code	QTY	Name
------	------	-----	------

Notes:

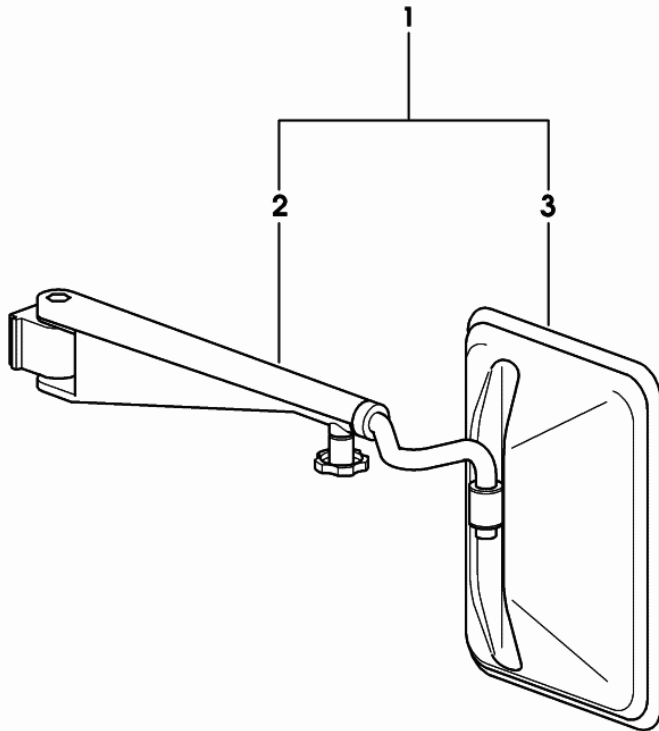
AGROSKY [DIAMOND 265]



1	04451577	1	support
2	2.0112.320.2	2	screw m 10 p.1.5 x 55
3	2.1470.006.2	4	lock washer 10
4	2.1011.106.2	2	nut m 10 p.1.5
5	04451580	2	spacer 10x12x36
7	04451576	1	support
8	2.0112.007.2	4	screw m 6 p.1 x 20
9	2.1470.002.2	4	washer 6, d128
10	2.1011.103.2	2	nut m 6 p.1
11	04451581	2	spacer 9x12x9
13	2.6839.066.0/10	1	clamp 16
14	2.1310.002.2	2	washer 6.6, d125
15	04451568	1	support
16	04422689	2	knob
17	2.1310.006.2	2	flat washer 10.5
19	04454424	1	bracket
20	2.0112.205.2	2	screw m 8 p.1.25 x 16
21	2.1310.004.2	2	flat washer 8.5
22	2.6569.007.0	2	rubber ring
23	06261119	1	bellows

REARVIEW MIRROR

Fig.	Code	QTY	Name
1	0.012.4393.4	1	rear view mirror sx/lh/li
2	0.010.3564.1	1	rod
3	0.010.3564.0	1	rear view mirror



0_012_4393_4

Section: G0 - BODYWORK - CAB
SEAT SPRINGING GRAMMER

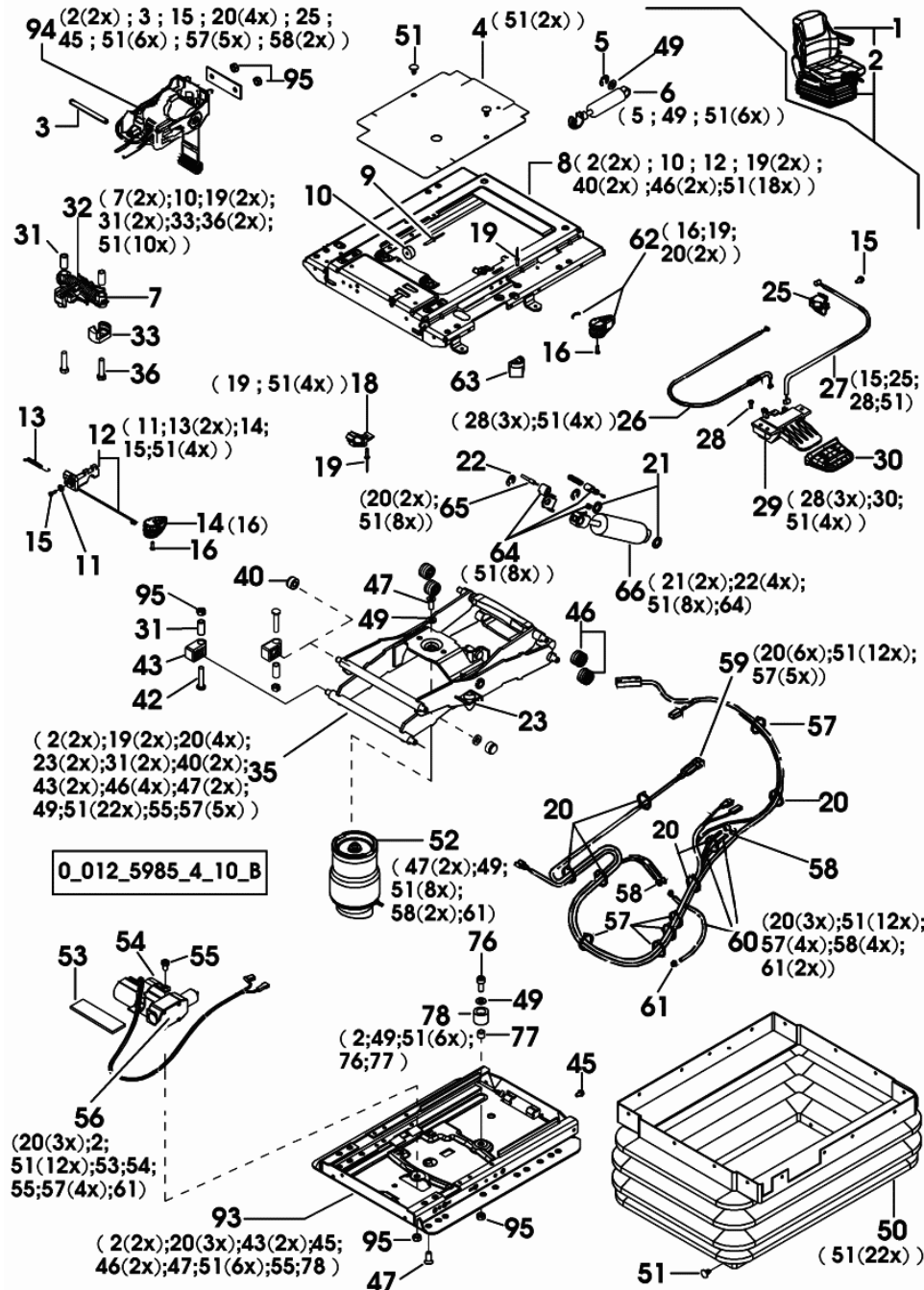


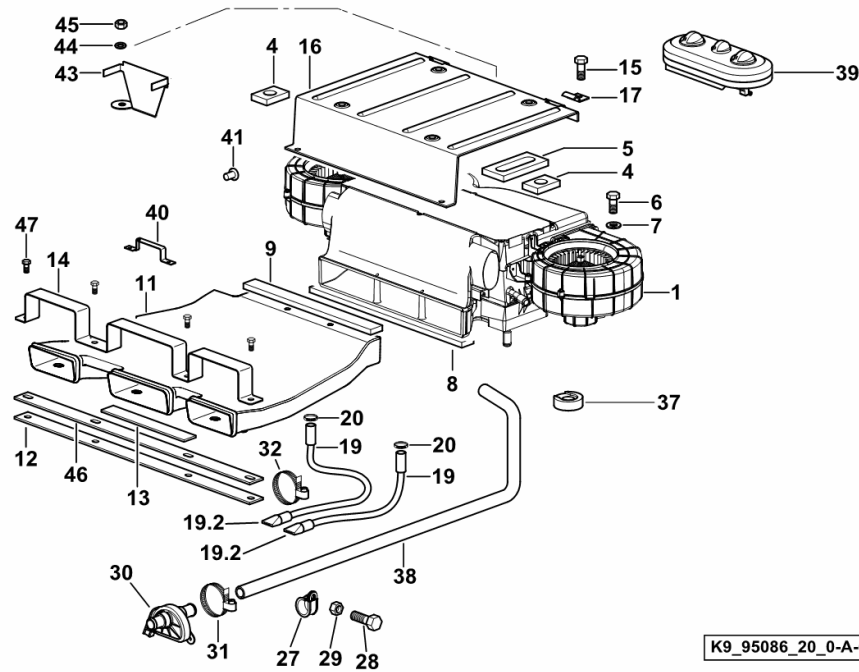
Fig.	Code	QTY	Name
1	0.012.5985.4/10	1	seat GRAMMER MSG 95A/721
2	0.010.3076.0	1	seat springs
3	04402563	1	pin
4	0.010.2277.1	1	cover
5	0.010.3523.0	1	circlip
6	0.010.2270.2	1	shoch.absorber
7	0.010.2956.0	2	bushing
8	0.010.3076.1	1	casing
9	0.010.3523.1	1	rivet
10	0.010.2271.1	1	ring
11	0.010.3151.1	1	washer
12	0.010.2958.1	1	lever
13	0.010.2277.0	2	spring
14	0.010.2077.2	1	knob
15	0.010.3523.2	2	screw
16	04402564	2	screw
18	0.010.2271.2	2	ring
19	04418256	3	rivet
20	04418251	9	metal strap
21	04418240	2	washer
22	0.010.3526.0	2	circlip
23	0.010.2275.1	2	stop
25	04402582	1	support
26	0.010.2272.0	1	wire
27	0.010.3077.0	1	wire
28	0.010.2943.1	3	screw
29	0.010.2272.2	1	lever
30	0.010.3526.1	1	grip
31	0.010.2955.2	4	tube
32	0.010.2956.2	1	support
33	0.010.2956.1	1	support
35	0.010.2959.0	1	arm
36	0.009.4711.1	2	screw
40	0.010.3526.2	2	roller
42	04402575	2	pin
43	0.010.2959.1	2	support
45	0.010.3527.0	1	screw
46	04402577	4	roller
47	04402569	2	screw
49	0.010.3152.0	3	gasket
50	0.010.2276.0	1	guard
51	04311704	24	plug
52	0.010.2959.2	1	spring M 5650
53	0.009.4382.2	1	shim

Section: G0 - BODYWORK - CAB
CLIMATE CONTROL SYSTEM

Fig.	Code	QTY	Name
------	------	-----	------

Notes:
 [DIAMOND 265] 3365 <-

1	0.010.9139.4/20	1	climatization kit (3356 <-) ☞ 0.010.9139.4/20
1	0.010.9139.4/40	1	climatization kit (-> 3348) ☞ 0.010.9139.4/40
4	0.010.9418.0	2	gasket
5	0.010.9419.0	1	gasket
6	01112356	1	screw m 8 x 40
7	01107101	9	washer 8.4
8	04429589	1	gasket mm 538
9	04429583	1	gasket mm 412
11	0.010.8330.0/10	1	duct
12	0.010.8910.0	1	gasket
13	0.010.8911.0/10	3	gasket
14	0.010.8331.0	1	clamp
15	04426352	8	screw m 8 p.1.25 x 20
16	04429952.4	1	cover
17	0.010.6539.0/20	2	hinge
19	0.011.4589.3/10	2	flexible hose
19.2	0.009.0890.0	1	terminal
20	2.6851.019.0	2	clamp Ø 13/20
27	01173053	2	clamp b 25x20
28	01123749	2	screw m 6 x 25
29	01112813	2	nut m 6
30	04429584	1	cock or tap
31	01137412	3	clamp
32	04423216	1	clamp
37	0.011.3245.0	2	block (3356 <-)
37	0.014.8200.0	2	block (-> 3348)
38	04429761	1	tube
39	04429205.4	1	control grp. ☞ 04429205.4
40	04429773	1	bracket
41	01172669	2	rivet 4.8x10.3
43	04453445	1	bracket
44	2.1470.004.2	1	washer 8
45	2.1011.105.2	1	nut m 8 p.1.25
46	04429732	1	plate
47	01129113	4	screw m 8 x 30



K9_95086_20_0-A-001

AIR CONDITIONER PARTS

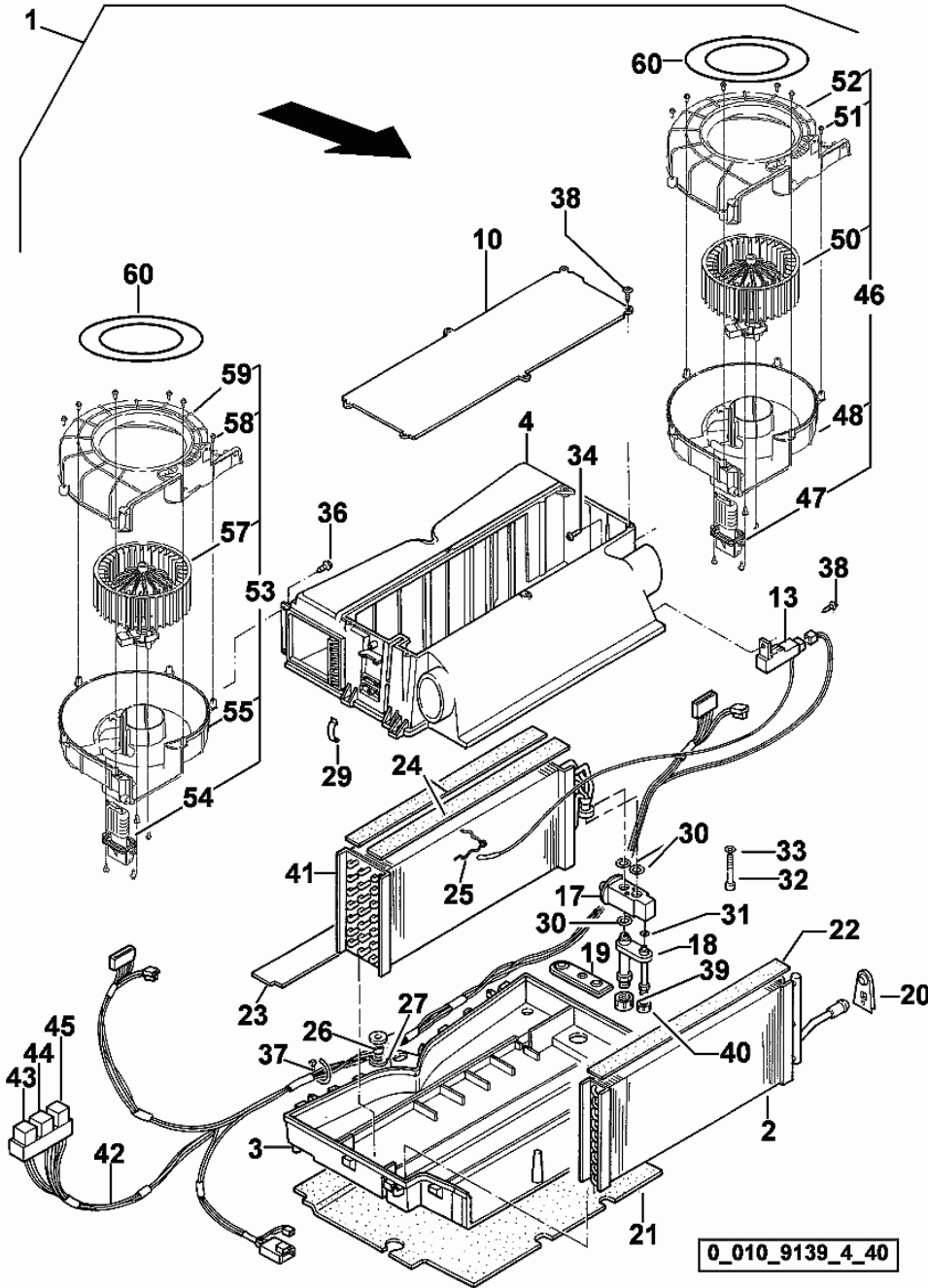
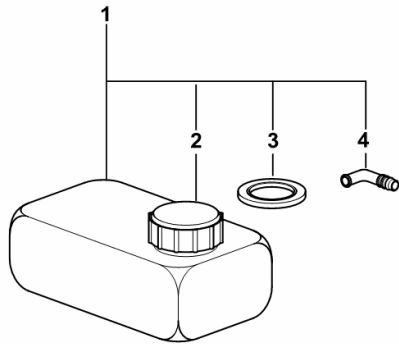


Fig.	Code	QTY	Name
1	0.010.9139.4/40	1	climatization kit
2	0.900.0784.0	1	radiator
3	0.010.2534.1	1	box
4	0.010.2534.2	1	box
10	0.010.2536.2	1	cover
13	0.010.2537.1	1	thermostat
17	0.010.2091.0	1	valve R 134
18	0.010.2538.2	1	pipe fitting
19	0.010.2539.0	1	gasket
20	0.010.2539.1	1	gasket
21	0.010.2539.2	1	gasket
22	0.010.2540.0	1	gasket
23	0.010.2540.1	1	division
24	0.010.2540.0	2	gasket
25	0.010.2540.2	1	small spring
26	0.98538.71.1	1	spacer
27	0.010.2541.0	2	rubber plug
29	0.010.2541.2	11	small spring
30	0.010.2128.1	3	gasket
31	0.010.2542.0	1	'o' ring
32	0.010.2542.1	2	screw m 6 x 50
33	0.010.2542.2	2	washer 6, d128
34	0.010.2543.0	2	screw m 3.5x16
36	0.010.2543.2	14	screw m 3.5x12
37	0.010.2544.0	3	clamp
38	0.010.2543.2	5	screw m 3.5x12
39	0.010.2544.1	1	plug
40	0.010.2544.2	1	plug
41	0.900.0783.9	1	radiator
42	0.900.0783.8	1	wire
43	0.010.3317.2	1	relay 15A NA BROWN
44	0.010.3318.0	1	relay 20A NA WHITE
45	0.900.0049.4	1	relay 20A NA BLACK
46	0.000.0000.1	1	not serviceable
47	0.010.2535.1	1	resistance
48	0.900.0782.1	1	screw conveyor
50	0.900.0035.3	1	rotor blade dx/rh/re WHITE
51	0.900.0782.2	10	screw 4 x 12
52	0.900.0782.0	1	screw conveyor
53	0.000.0000.1	1	not serviceable

TANK - PARTS

Fig.	Code	QTY	Name
1	04432281	1	tank
2	04438477	1	cover
3	04414695	1	ring
4	04305837	1	pipe fitting 6, d128



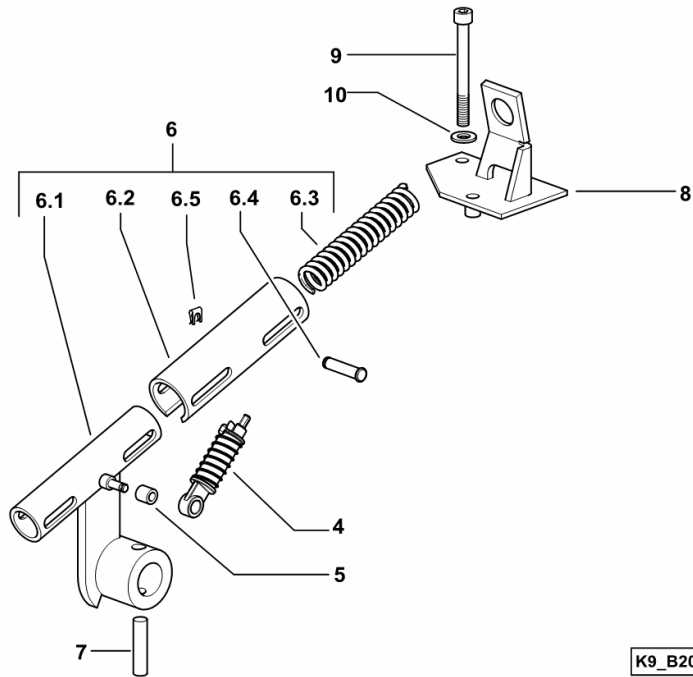
04432281

Section: G0 - BODYWORK - CAB
CREEPER - CONTROLS

Fig.	Code	QTY	Name
------	------	-----	------

Notes:
 [DIAMOND 265]

4	04415468	1	stop
5	04415469	1	small spring
6	04451628.4	1	lever
6.1	04451627.4	1	lever
6.2	04414554.4	1	tube
6.3	04414549	1	spring
6.4	04414557	2	pin
6.5	01175655	2	stop
7	2.1630.815.2	1	roll pin
8	04451707.4/10	1	lever
9	2.0312.222.2	3	screw m 8 p.1.25 x 80
10	01103826	3	washer



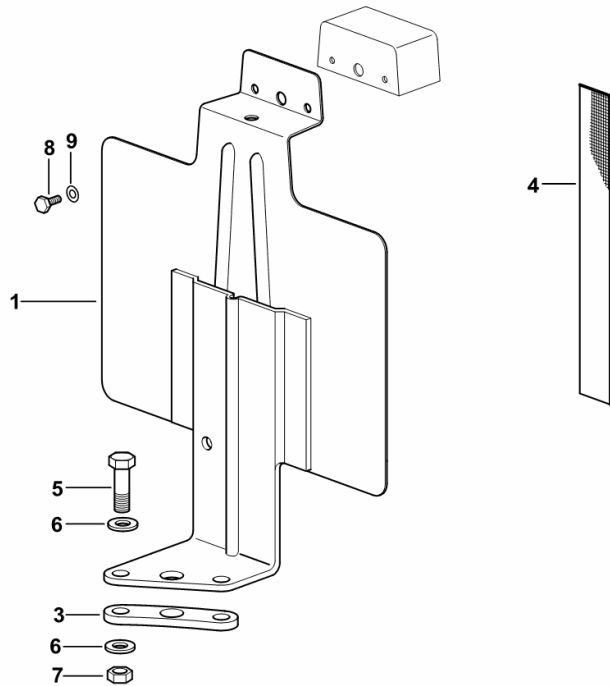
K9_B2064_03_0-A-001

Section: G0 - BODYWORK - CAB
LICENCE PLATE HOLDER

Fig.	Code	QTY	Name
------	------	-----	------

Notes:
 [DIAMOND 265]

1	0.012.1441.3/10	1	support
3	0.012.1890.0	1	gasket
4	04422723	0.15	band
5	2.0112.220.2	2	screw m 8 p.1.25x55
6	2.1310.004.2	4	flat washer 8.5
7	2.1011.105.2	2	nut m 8 p.1.25
8	2.0332.204.2	2	screw m 4x0.7x12
9	2.1310.028.2	2	flat washer 4



K9_94676_60_0-A-001

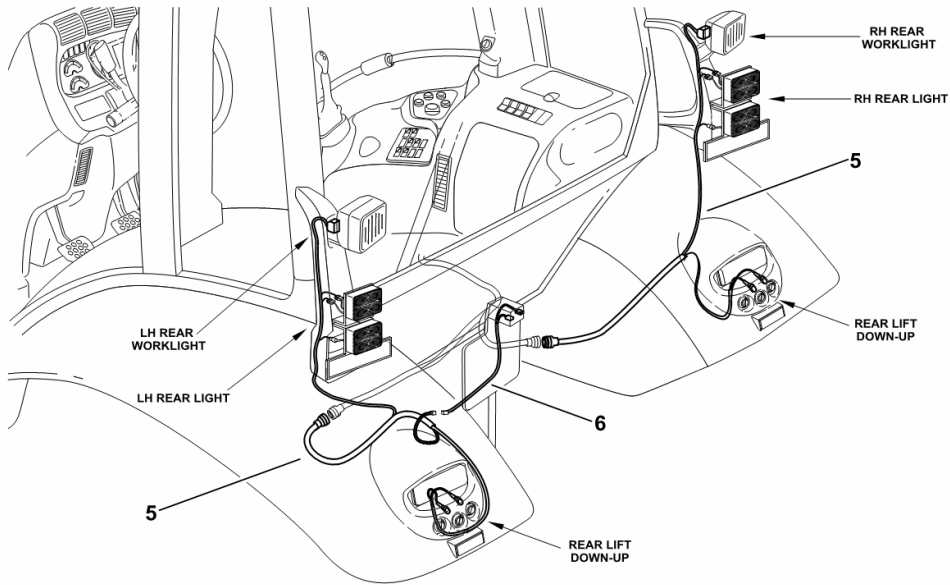
REAR LIGHTING SYSTEM WITH LARGE FENDER

Fig.	Code	QTY	Name
------	------	-----	------

Notes:

- EXPORT U.S.A. [DIAMOND 265]

5	0.012.9733.4/20	2	electrical system
6	0.012.2018.4/20	1	electrical system



K9_A3585_30_0-B-001

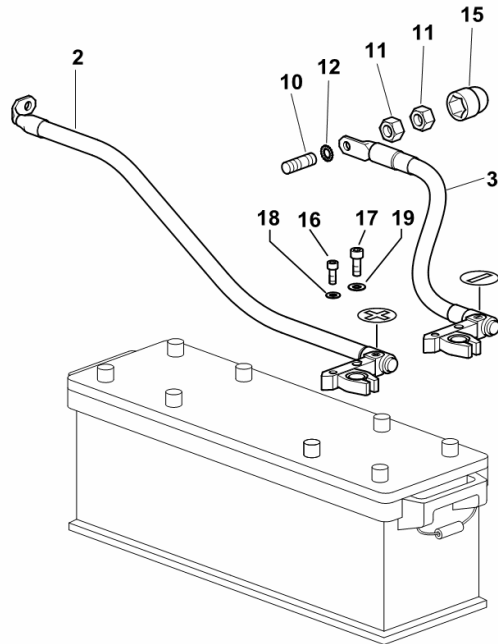
BATTERY LEADS

Fig.	Code	QTY	Name
------	------	-----	------

Notes:

[DIAMOND 265]

2	0.012.4028.4/20	1.000	wire (+)
3	0.012.4029.4/20	1.000	wire (-)
10	01113559	1.000	stud bolt m 12 x 35
11	01112858	2.000	nut m 12, d934
12	2.1470.007.2	1.000	lock washer 12
15	01174048	1	nut m 12 p.1,75
16	2.0312.104.2	1	screw m 6 p.1 x 16
17	2.0312.204.2	1	screw m 8 p.1.25 x 16
18	2.1474.007.2	1	washer 6, d128
19	2.1474.009.2	1	spring washer 8



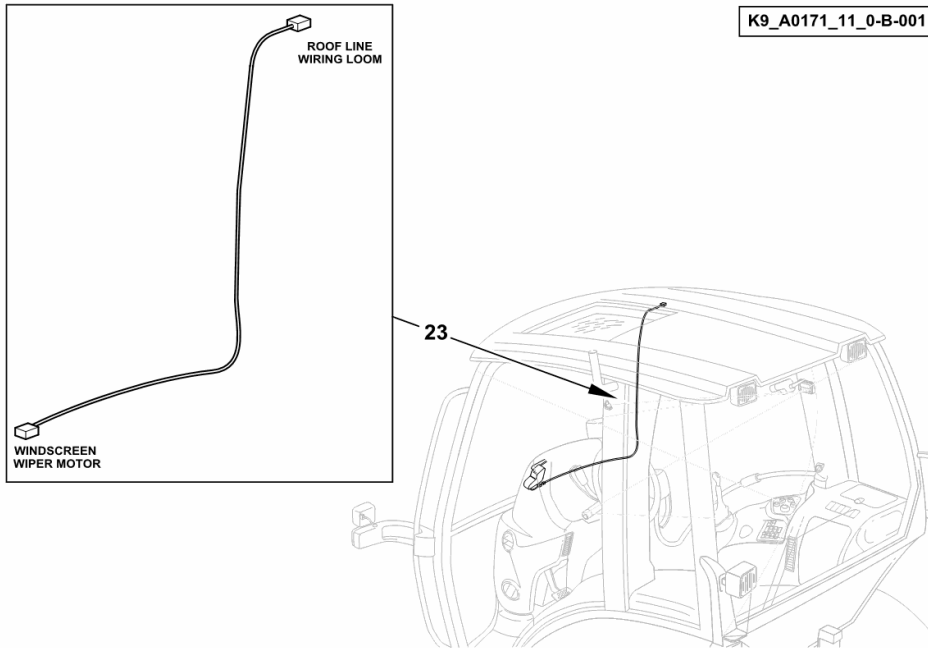
K9_A0173_00_0-B-001

WIRING FOR WINDSCREEN WIPER MOTOR

Fig.	Code	QTY	Name
------	------	-----	------

Notes:
[DIAMOND 265]

23	04412045	1	electrical system
----	----------	---	-------------------

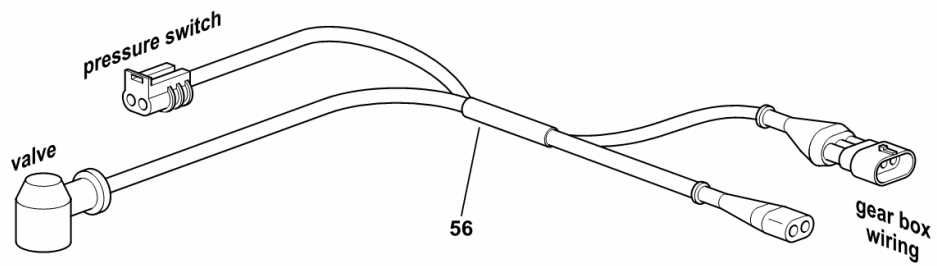


WIRING FOR AIR TRAILER BRAKING

Fig.	Code	QTY	Name
------	------	-----	------

Notes:
[DIAMOND 265]

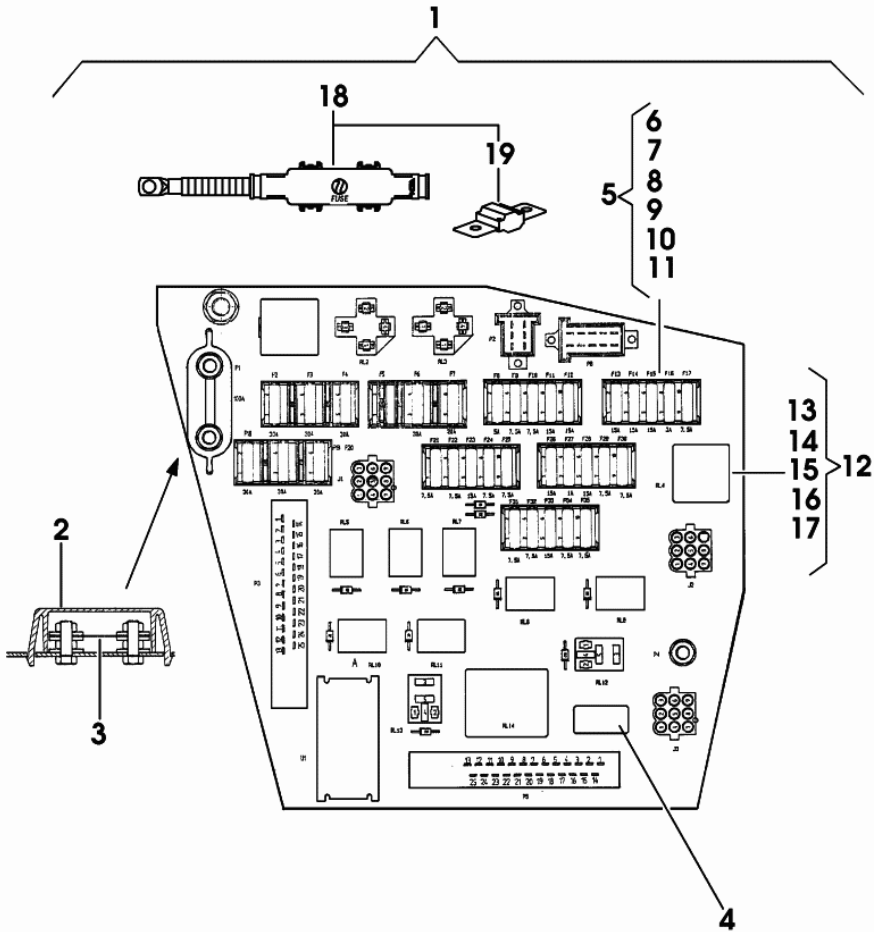
56	04436174/20	1	electrical system
----	-------------	---	-------------------



K9_B2089_20_0-F-001

ELECTRONICS BOX

Fig.	Code	QTY	Name
1	9.94684.60.0	1	fuse-holder
2	04418509	1	cover
3	04418507	1	fuse 100 A
4	04419534	1	stickers
5	04426892.4	1	fuse
6	04355909	7	fuse 30 A
7	04374843	1	fuse 20 A
8	01178537	1	fuse 5 A
9	01178151	14	fuse 7.5 A
10	04372302	9	fuse 15 A
11	04365214	1	fuse 3 A
12	04419535.4	1	relay
13	04411492	1	relay 40 A
14	04418512	1	relay
15	01178985	6	relay
16	04418513	1	fuse
17	04419536	1	relay
18	0.013.4600.4	1	wire
19	0.010.3658.0	1	fuse 100 A megaval



04419533_4

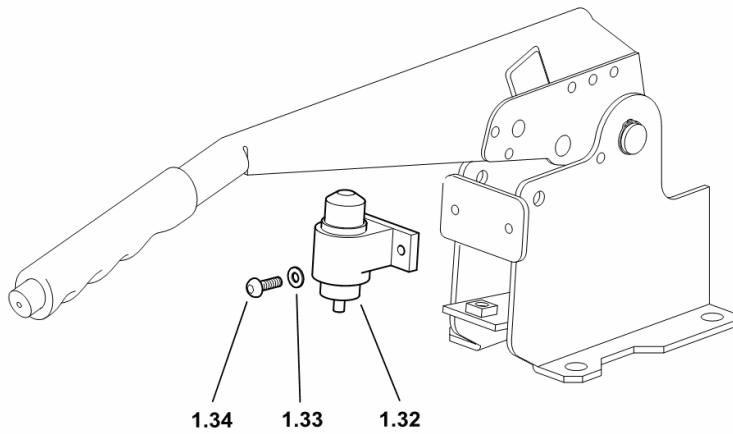
HAND BRAKE SWITCHES

Fig.	Code	QTY	Name
------	------	-----	------

Notes:

[DIAMOND 265]

1.32	2.7649.100.0	1.000	switch
1.33	01151013	2.000	washer
1.34	01119629	2.000	screw m 4.0 x 12



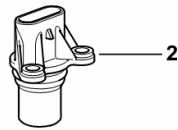
K9_A0166_04_0-B-001

PICK-UP P.T.O.

Fig.	Code	QTY	Name
------	------	-----	------

Notes:
[DIAMOND 265]

2	0.010.1214.4	1	sensor
---	--------------	---	--------



K9_B2084_06_0-B-001

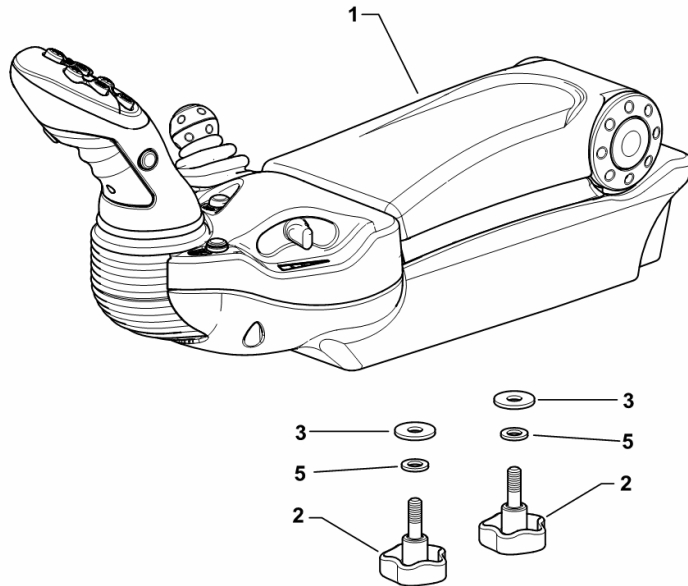
Section: L0 - ELECTRIC AL SYSTEM
MULTIFUNCTION CONTROL UNIT

Fig.	Code	QTY	Name
------	------	-----	------

Notes:

- FOR 8-WAY DISTRIBUTOR [DIAMOND 265] -> 3372

1	0.013.3022.4/60	1	small arm ☞ 0.013.3022.4/60
2	0.013.9152.0	2	knob m 10
3	2.1312.005.2	2	washer 10.2
5	2.1475.103.2	2	washer 10.5



K9_B2084_35_0-A-002

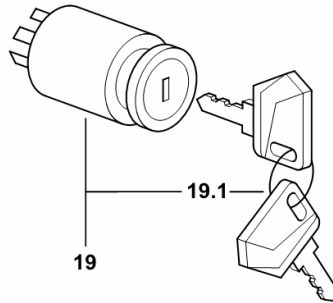
START ENABLE SWITCH

Fig.	Code	QTY	Name
------	------	-----	------

Notes:

- EXPORT U.S.A. [DIAMOND 265]

19	04411512.4	1	start device
19.1	04418435	1.000	key



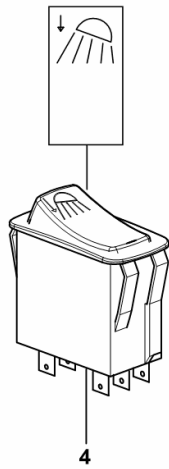
K9_B2071_30_0-E-001

CAB-MOUNTED FRONT WORKLIGHTS SWITCH

Fig.	Code	QTY	Name
------	------	-----	------

Notes:
[DIAMOND 265]

4	0.012.5942.4	1	switch
---	--------------	---	--------



K9_94584_06_0-B-001

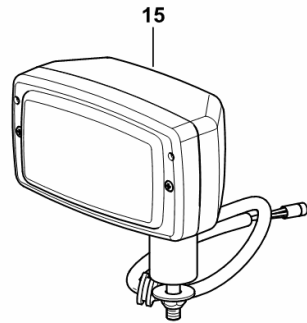
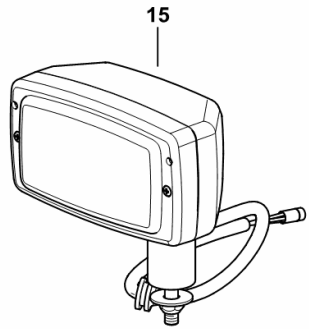
WORKING SPOTLIGHT FRONT

Fig.	Code	QTY	Name
------	------	-----	------

Notes:

- FOR RIGHT-HAND DRIVE [DIAMOND 265]

15	04414087.4	2	lamp ☞ 04414087.4
----	------------	---	----------------------



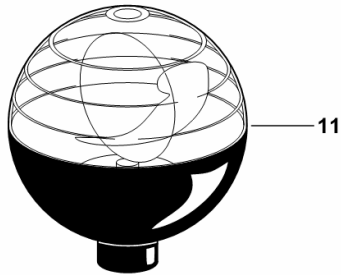
K9_A0171_37_0-A-001

WARNING BEACON

Fig.	Code	QTY	Name
------	------	-----	------

Notes:
[DIAMOND 265]

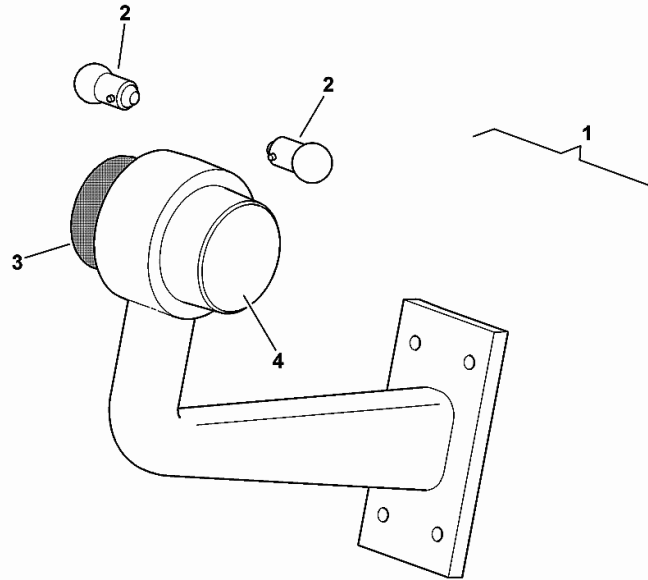
11	04414773	1	blinker 🔗 04414773
----	----------	---	-----------------------



K9_B7485_24_0-A-001

HEADLAMP COMPONENTS

Fig.	Code	QTY	Name
1	04437516	1	side lamp kpl.
2	0.900.0049.6	2	lamp 12 V, 5 W
3	0.900.0147.4	1	light body - RED COLOUR
4	0.900.0147.5	1	light body - WHITE



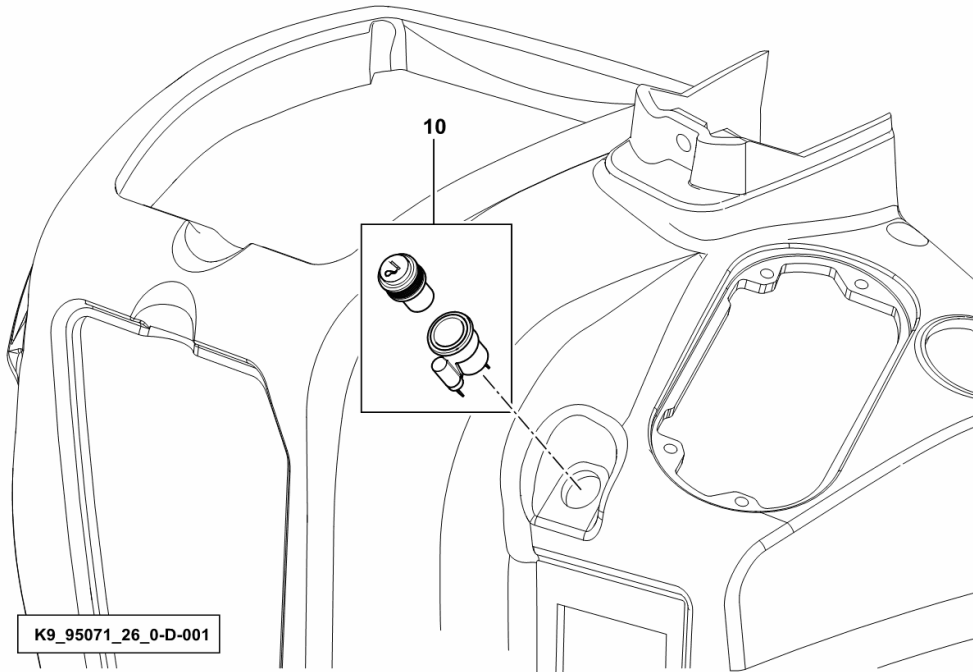
04437516

CIGAR LIGHTER

Fig.	Code	QTY	Name
------	------	-----	------

Notes:
[DIAMOND 265]

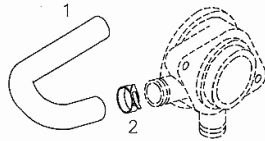
10	2.7099.770.0	1	cigar lighter
----	--------------	---	---------------



Section: B0 - ENGINE
BLEEDING TUBE

Fig.	Code	QTY	Name
1	04198572	1	tube
2	01178750	3	clamp DIN 3021 -A-29X15

001



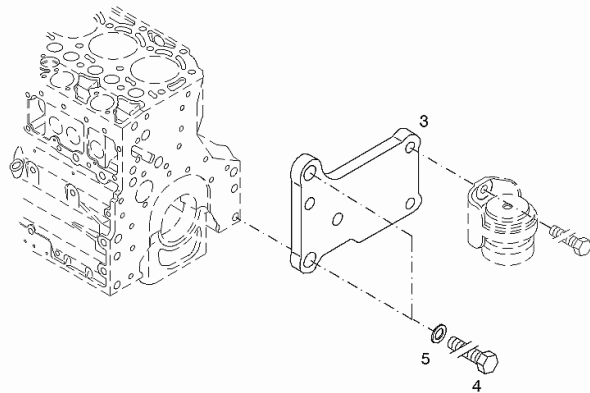
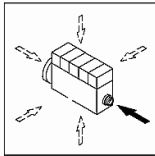
ACCESSORIES

Fig.	Code	QTY	Name
------	------	-----	------

Engine Serial Numbers:

984828 1027907 1042322 1047090 1047091 1047093 1053115 1053116 1054075 1054076 1062329 1064777
 1080877 1080878 1080881 1092650 10021943 10024295 10026598 10026599 10028605 10030686 10050689
 10050691 10050692 10058039 10058040 10058041 10058062 10059391 10059392 10059393 10059398 10062675
 10062678 10062687 10079093 10079094 10092446 10092448 10097114 10097121 10101771 10101773 10101777
 10101788 10101791 10102962 10102964 10102973 10102974 10102977 10102979 10102980 10102981 10144920
 10144921 10144925 10148639 10151929 10159970 10159971 10159979 10162823 10233021 10233031 10654565
 10902593 10907682 10907685

3	04288659	1	support
1006 4	01148261	2	screw ISO 4017 -M16X40-10.9-ZNAL-A
5	01181400	2	washer H 2308 -18X25X1,5-A4C



Section: B0 - ENGINE
V-GROOVED PULLEY

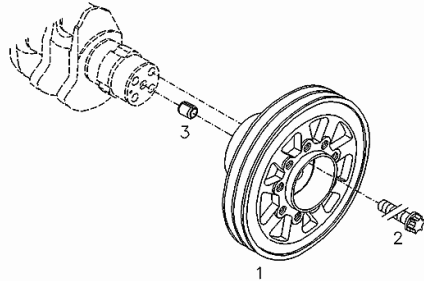
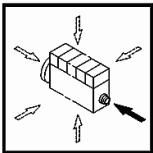
Fig.	Code	QTY	Name
------	------	-----	------

Engine Serial Numbers:

984828 1027907 1042322 1047090 1047091 1047093 1053115 1053116 1054075 1054076 1062329 1064777
 1080877 1080878 1080881 1092650 10021943 10024295 10026598 10026599 10028605 10030686 10050689
 10050691 10050692 10058039 10058040 10058041 10058062 10059391 10059392 10059393 10059398 10062675
 10062678 10062687 10079093 10079094 10092446 10092448 10097114 10097121 10101771 10101773 10101777
 10101788 10101791 10102962 10102964 10102973 10102974 10102977 10102979 10102980 10102981 10144920
 10144921 10144925 10148639 10151929 10159970 10159971 10159979 10162823 10233021 10233031 10654565
 10902593 10907682 10907685

1	04255343	1	pulley
2	04253406	4	screw
3	01181404	1	sleeve
			H 2341 -B18X24-FE/ZN12C*

001 ©



0507 2672

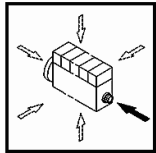
Section: B0 - ENGINE
SEPARATOR

Fig.	Code	QTY	Name
------	------	-----	------

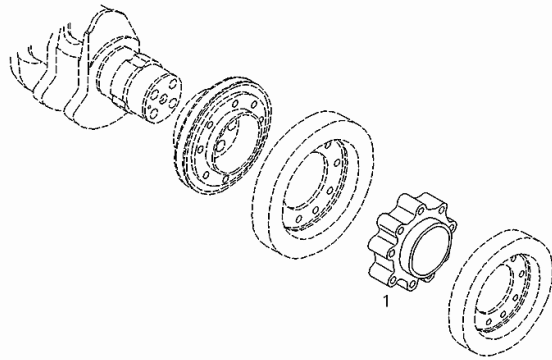
Engine Serial Numbers:

984828 1027907 1042322 1047090 1047091 1047093 1053115 1053116 1054075 1054076 1062329 1064777
 1080877 1080878 1080881 1092650 10021943 10024295 10026598 10026599 10028605 10030686 10050689
 10050691 10050692 10058039 10058040 10058041 10058062 10059391 10059392 10059393 10059398 10062675
 10062678 10062687 10079093 10079094 10092446 10092448 10097114 10097121 10101771 10101773 10101777
 10101788 10101791 10102962 10102964 10102973 10102974 10102977 10102979 10102980 10102981 10144920
 10144921 10144925 10148639 10151929 10159970 10159971 10159979 10162823 10233021 10233031 10654565
 10902593 10907682 10907685

1	04208249	1	tube
---	----------	---	------



000



0507 4494

ROCKER ARM BRACKET

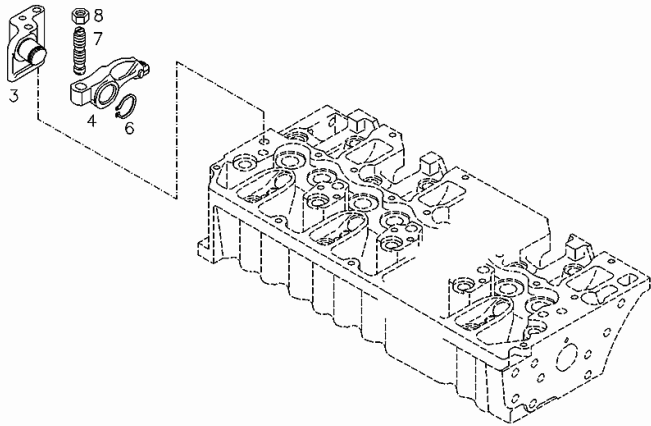
Fig.	Code	QTY	Name
------	------	-----	------

Engine Serial Numbers:

984828 1027907 1042322 1047090 1047091 1047093 1053115 1053116 1054075 1054076 1062329 1064777
 1080877 1080878 1080881 1092650 10021943 10024295 10026598 10026599 10028605 10030686 10050689
 10050691 10050692 10058039 10058040 10058041 10058062 10059391 10059392 10059393 10059398 10062675
 10062678 10062687 10079093 10079094 10092446 10092448 10097114 10097121 10101771 10101773 10101777
 10101788 10101791 10102962 10102964 10102973 10102974 10102977 10102979 10102980 10102981 10144920
 10144921 10144925 10148639 10151929 10159970 10159971 10159979 10162823 10233021 10233031

3	04200961	1	support
4	04204023	1	tappets
6	01107731	1	circlip DIN 471 -21X1,2
7	03365861	1	register
8	02109637	1	nut

000



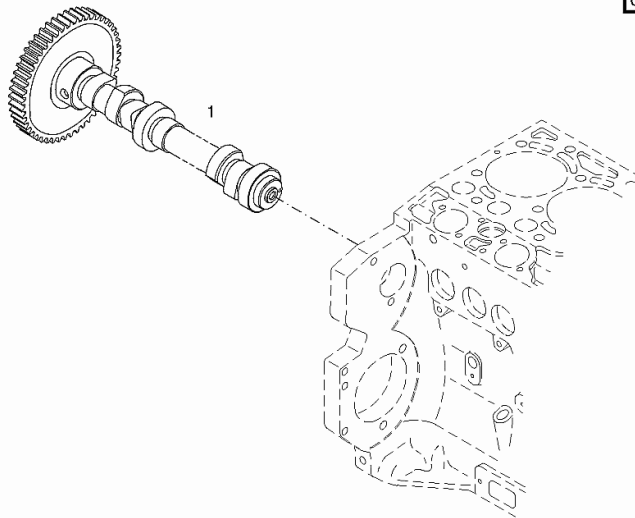
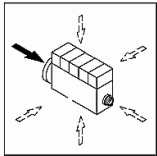
0507 2235

CAMSHAFT

Fig.	Code	QTY	Name
------	------	-----	------

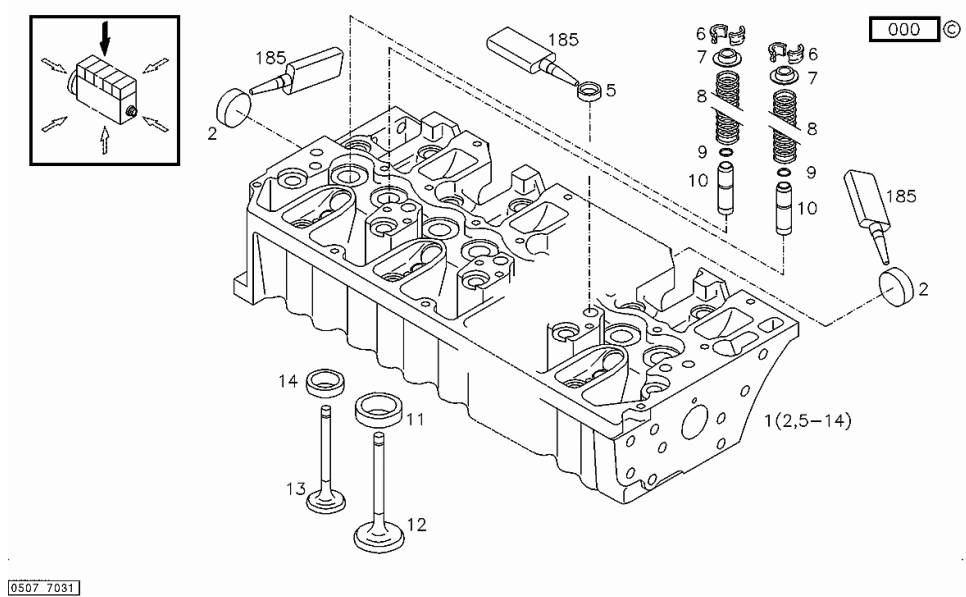
Engine Serial Numbers:
10902593 10907682 10907685

1	04501063	1	camshaft
---	----------	---	----------



Section: B0 - ENGINE
CYLINDER HEAD

Fig.	Code	QTY	Name
954	02934446	1	INTAKE VALVE, 2nd OVERSIZE CLASS 49.49 mm ring
955	02934447	1	EXHAUST VALVE, 1st OVERSIZE CLASS 43.80 MM ring
			EXHAUST VALVE, 2nd OVERSIZE CLASS 44.00 mm



CLICK HERE TO **DOWNLOAD** THE COMPLETE MANUAL

- Thank you very much for reading the preview of the manual.
- You can download the complete manual from: www.heydownloads.com by clicking the link below



- Please note: If there is no response to CLICKING the link, please download this PDF first and then click on it.

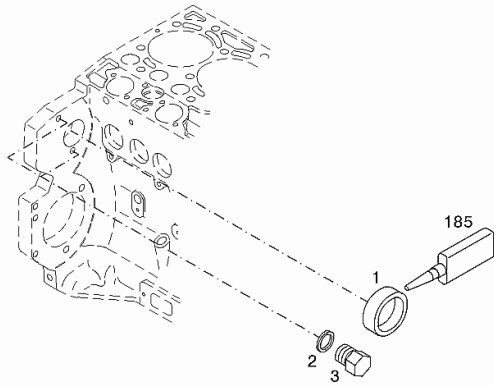
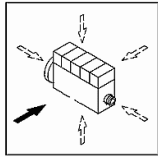
CLICK HERE TO **DOWNLOAD** THE COMPLETE MANUAL

Section: B0 - ENGINE
CLOSING COMPONENTS

Fig.	Code	QTY	Name
------	------	-----	------

Engine Serial Numbers:

984828 1027907 1042322 1047090 1047091 1047093 1053115 1053116 1054075 1054076 1062329 1064777
 1080877 1080878 1080881 1092650 10021943 10024295 10026598 10026599 10028605 10030686 10050689
 10050691 10050692 10058039 10058040 10058041 10058062 10059391 10059392 10059393 10059398 10062675
 10062678 10062687 10079093 10079094 10092446 10092448 10097114 10097121 10101771 10101773 10101777
 10101788 10101791 10102962 10102964 10102973 10102974 10102977 10102979 10102980 10102981 10144920
 10144921 10144925 10148639 10151929 10159970 10159971 10159979 10162823 10233021 10233031 10654565
 10902593 10907682 10907685



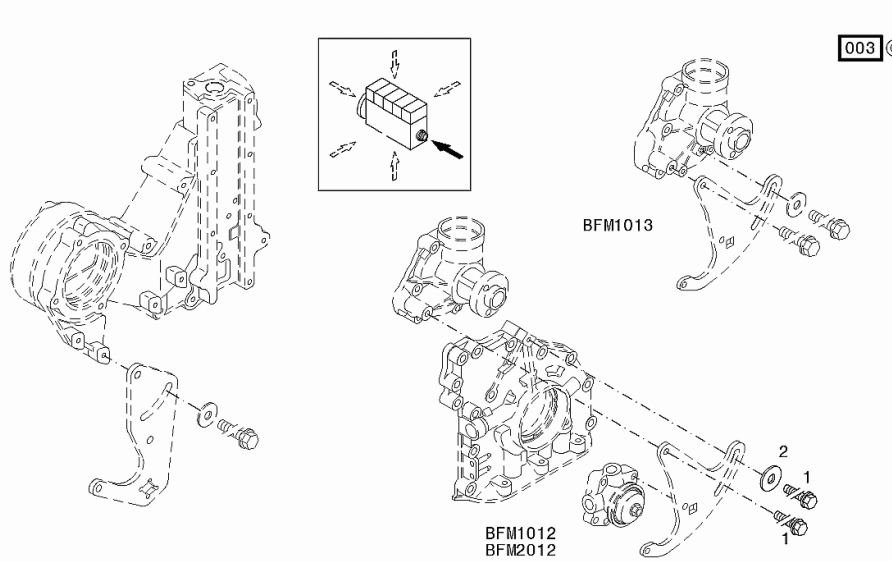
1	01165839	1	stop
003			H 711 -B50
2	01118659	2	'o' ring
			DIN 7603 -A10X13,5-CU
3	01181401	2	screw
			30 Nm
185	01016127	1	sealing compound ml. 50
			H 0699 -DEUTZDW72-50ML

Section: B0 - ENGINE
FASTENINGS

Fig.	Code	QTY	Name
------	------	-----	------

Engine Serial Numbers:

984828 1027907 1042322 1047090 1047091 1047093 1053115 1053116 1054075 1054076 1062329 1064777
 1080877 1080878 1080881 1092650 10021943 10024295 10026598 10026599 10028605 10030686 10050689
 10050691 10050692 10058039 10058040 10058041 10058062 10059391 10059392 10059393 10059398 10062675
 10062678 10062687 10079093 10079094 10092446 10092448 10097114 10097121 10101771 10101773 10101777
 10101788 10101791 10102962 10102964 10102973 10102974 10102977 10102979 10102980 10102981 10144920
 10144921 10144925 10148639 10151929 10159970 10159971 10159979 10162823 10233021 10233031 10654565
 10902593 10907682 10907685



1	01112317	2	screw - UP TO MONTH OF ASSEMBLY (A) - FROM MONTH OF ASSEMBLY SEE POS. (B) A = 01.2001 B = POS. 950 ISO 4017 -M8X20-10.9-A4C
2	01138374	1	washer 8,4x21x4 DIN 7349 -8,4-ST-A4C
950	01112330	2	screw m 8 x 25 - FROM MONTH OF ASSEMBLY SEE POS. (B) - UP TO MONTH OF ASSEMBLY (A) FROM MONTH OF ASSEMBLY A = 02.2001 B = POS. 1 ISO 4017 -M8X25-10.9-OELGESCHW

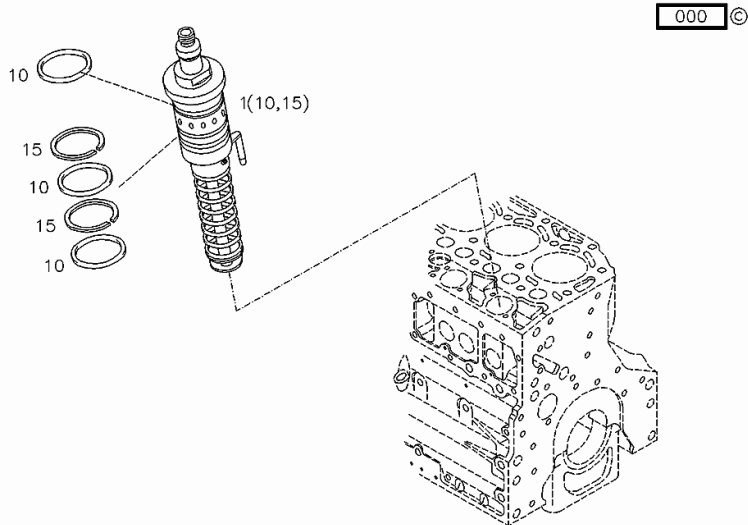
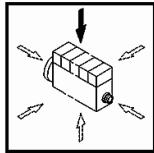
Section: B0 - ENGINE
FUEL INJECT. PUMP

Fig.	Code	QTY	Name
------	------	-----	------

Engine Serial Numbers:

1027907 10092446 10092448

1	02113001	1	injector pump WITH POS.... (10,15)
10	01319139	3	ring
15	01319140	2	ring



0567 8107

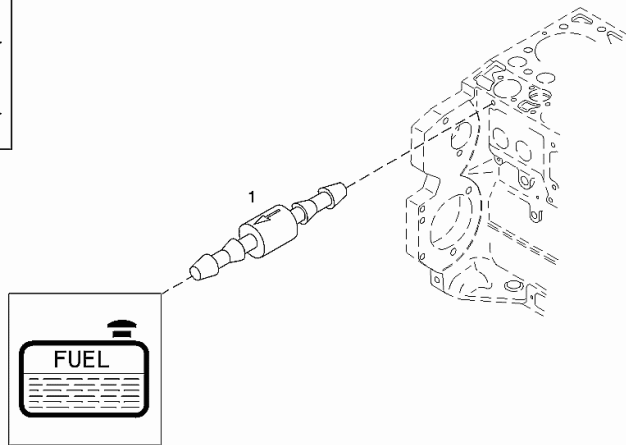
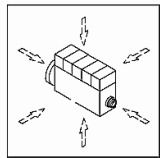
Section: B0 - ENGINE
PILOTED CHECK VALVE

Fig.	Code	QTY	Name
------	------	-----	------

Engine Serial Numbers:

10233021 10233031 10654565 10902593 10907682 10907685

1	02931774	1	valve
---	----------	---	-------



000 ©

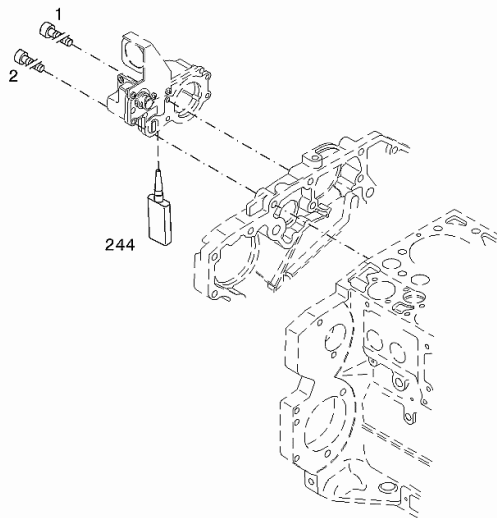
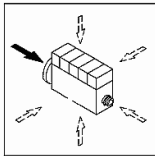
FASTENINGS

Fig.	Code	QTY	Name
------	------	-----	------

Engine Serial Numbers:

984828 1027907 1042322 1047090 1047091 1047093 1053115 1053116 1054075 1054076 1062329 1064777
 1080877 1080878 1080881 1092650 10021943 10024295 10026598 10026599 10028605 10030686 10050689
 10050691 10050692 10058039 10058040 10058041 10058062 10059391 10059392 10059393 10059398 10062675
 10062678 10062687 10079093 10079094 10092446 10092448 10097114 10097121 10101771 10101773 10101777
 10101788 10101791 10102962 10102964 10102973 10102974 10102977 10102979 10102980 10102981 10144920
 10144921 10144925 10148639 10151929 10159970 10159971 10159979 10162823 10233021 10233031 10654565
 10902593 10907682 10907685

1	01103783	2	screw
003 ©			ISO 4762 -M8X70-10.9-A4C
2	01139441	3	screw
			ISO 4762 -M8X55-10.9-A4C
244	01016102	1	gasket
			H 0699 -DEUTZDW73-300ML



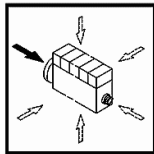
ACTUATOR

Fig.	Code	QTY	Name
------	------	-----	------

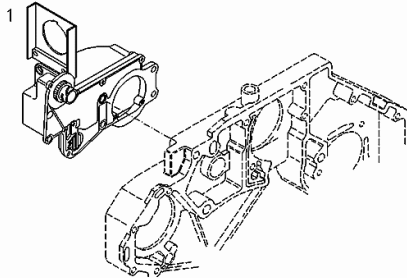
Engine Serial Numbers:

984828 1027907 1042322 1047090 1047091 1047093 1053115 1053116 1054075 1054076 1062329 1064777
 1080877 1080878 1080881 1092650 10021943 10024295 10026598 10026599 10028605 10030686 10050689
 10050691 10050692 10058039 10058040 10058041 10058062 10059391 10059392 10059393 10059398 10062675
 10062678 10062687 10079093 10079094 10092446 10092448 10097114 10097121 10101771 10101773 10101777
 10101788 10101791 10102962 10102964 10102973 10102974 10102977 10102979 10102980 10102981 10144920
 10144921 10144925 10148639 10151929 10159970 10159971 10159979 10162823 10233021 10233031

1	02112588	1	link
---	----------	---	------



000 ©



0507 7122

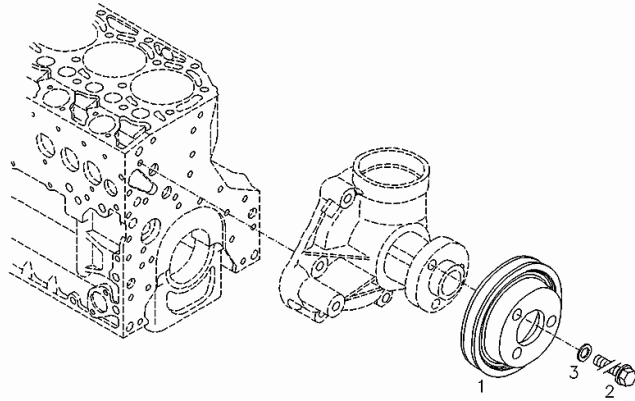
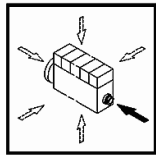
Section: B0 - ENGINE
DRIVING PARTS

Fig.	Code	QTY	Name
------	------	-----	------

Engine Serial Numbers:

984828 1027907 1042322 1047090 1047091 1047093 1053115 1053116 1054075 1054076 1062329 1064777
 1080877 1080878 1080881 1092650 10021943 10024295 10026598 10026599 10028605 10030686 10050689
 10050691 10050692 10058039 10058040 10058041 10058062 10059391 10059392 10059393 10059398 10062675
 10062678 10062687 10079093 10079094 10092446 10092448 10097114 10097121 10101771 10101773 10101777
 10101788 10101791 10102962 10102964 10102973 10102974 10102977 10102979 10102980 10102981 10144920
 10144921 10144925 10148639 10151929 10159970 10159971 10159979 10162823 10233021 10233031 10654565
 10902593 10907682 10907685

1	04206494	1	pulley - UP TO MONTH OF ASSEMBLY (A) - FROM MONTH OF ASSEMBLY SEE POS. (B) A = 02.97 B = POS. 950
2	01181436	3	screw EN 1662 -F-M8X16-LG2,5-10.9-ZNAL-A
3	01172303	3	washer H 2308 -8,4X15X3
950	04208469	1	pulley - FROM MONTH OF ASSEMBLY SEE POS. (B) - UP TO MONTH OF ASSEMBLY (A) FROM MONTH OF ASSEMBLY A = 03.97 B = POS.1



FASTENINGS

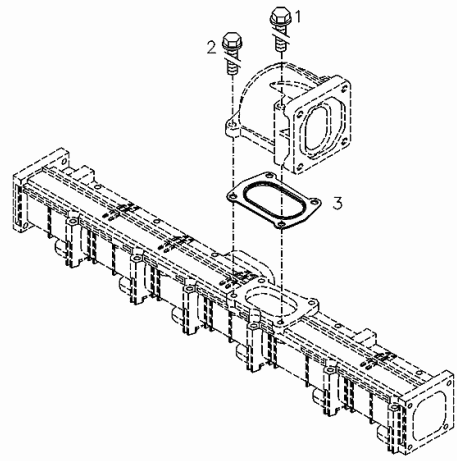
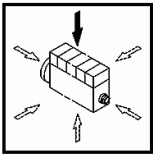
Fig.	Code	QTY	Name
------	------	-----	------

Engine Serial Numbers:

1064777 1080877 1080878 1080881 1092650 10021943 10024295 10026598 10026599 10028605 10030686
 10050689 10050691 10050692 10058039 10058040 10058041 10058062 10059391 10059392 10059393 10059398
 10062675 10062678 10062687 10079093 10079094 10092446 10092448 10097114 10097121 10101771 10101773
 10101777 10101788 10101791 10102962 10102964 10102973 10102974 10102977 10102979 10102980 10102981
 10144920 10144921 10144925 10148639 10151929 10159970 10159971 10159979 10162823 10233021 10233031
 10654565 10902593 10907682 10907685

1	01180216	2	screw EN 1662 -F-M6X90-10.9-GESCHW
2	01179592	2	screw EN 1662 -F-M6X25-10.9-GESCHW
3	04282488	1	gasket

000 ©



0511 1068

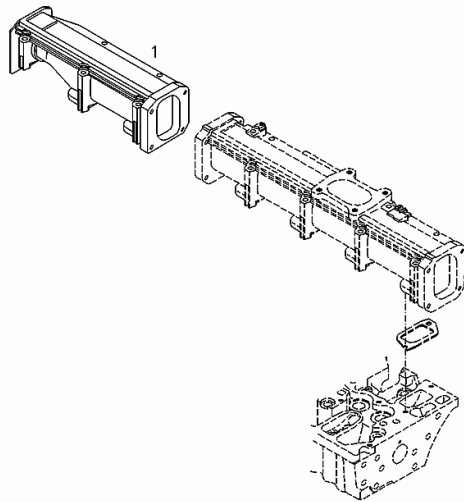
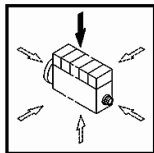
MANIFOLD

Fig.	Code	QTY	Name
------	------	-----	------

Engine Serial Numbers:

984828 1027907 1042322 1047090 1047091 1047093 1053115 1053116 1054075 1054076 1062329 1064777
 1080877 1080878 1080881 1092650 10021943 10024295 10026598 10026599 10028605 10030686 10050689
 10050691 10050692 10058039 10058040 10058041 10058062 10059391 10059392 10059393 10059398 10062675
 10062678 10062687 10079093 10079094 10092446 10092448 10097114 10097121 10101771 10101773 10101777
 10101788 10101791 10102962 10102964 10102973 10102974 10102977 10102979 10102980 10102981 10144920
 10144921 10144925 10148639 10151929 10159970 10159971 10159979 10162823 10233021 10233031 10654565
 10902593 10907682 10907685

1	04288250	1	tube
---	----------	---	------



0507 8446

RETURN LINE

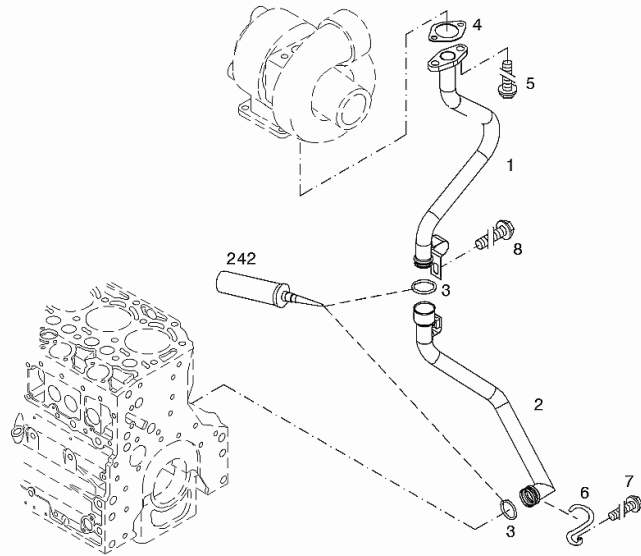
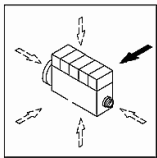
Fig.	Code	QTY	Name
------	------	-----	------

Engine Serial Numbers:

10654565 10902593 10907682 10907685

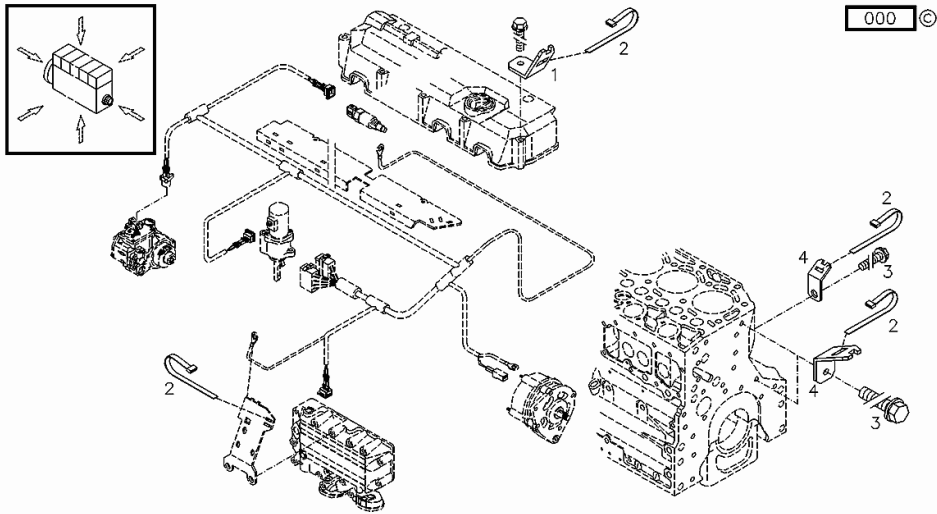
1	04293900	1	pipng
2	04293894	1	pipng
3	01180811	2	ring H 2927 -21,8X3,5-FPM-1-70
4	04182520	1	gasket
5	01181433	2	screw EN 1662 -F-M8X20-LG2,5-10.9-ZNAL-A
6	04255857	1	bracket
7	01181436	1	screw EN 1662 -F-M8X16-LG2,5-10.9-ZNAL-A
8	01143382	1	screw EN 1662 -F-M8X12-LG2,5-10.9-A4C
242	01016105	2	sealing compound

000 ©



FASTENINGS

Fig.	Code	QTY	Name
1	04199094	1	consolle
2	01176435	11	clamp H 7672 -P160X4,8
3	01143382	7	screw EN 1662 -F-M8X12-LG2,5-10.9-A4C
4	02249331	7	consolle



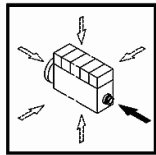
Section: B0 - ENGINE
V-GROOVED PULLEY

Fig.	Code	QTY	Name
------	------	-----	------

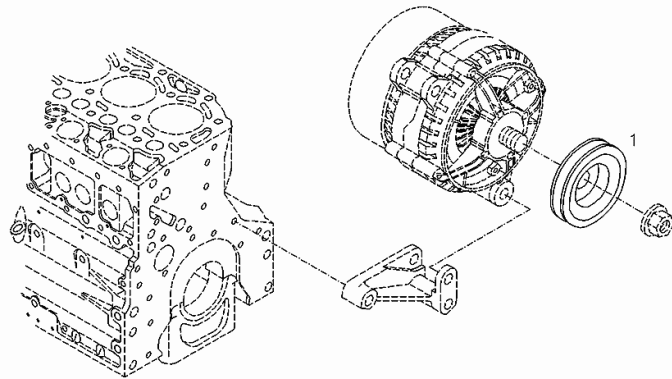
Engine Serial Numbers:

984828 1027907 1042322 1047090 1047091 1047093 1053115 1053116 1054075 1054076 1062329 1064777
 1080877 1080878 1080881 1092650 10021943 10024295 10026598 10026599 10028605 10030686 10050689
 10050691 10050692 10058039 10058040 10058041 10058062 10059391 10059392 10059393 10059398 10062675
 10062678 10062687

1	04255889	1	pulley
---	----------	---	--------



000



0507 4513

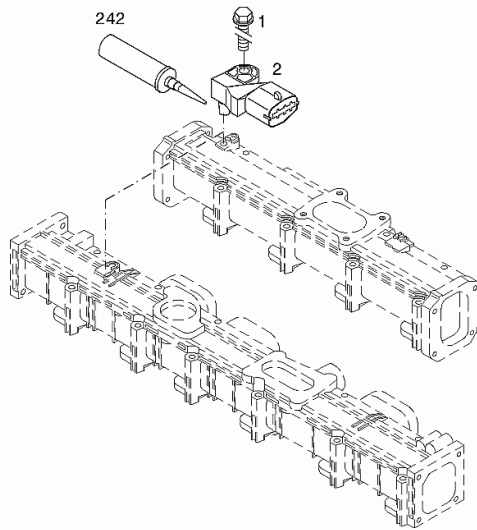
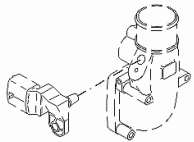
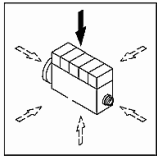
ACCESSORIES

Fig.	Code	QTY	Name
------	------	-----	------

Engine Serial Numbers:

984828 1027907 1042322 1047090 1047091 1047093 1053115 1053116 1054075 1054076 1062329 1064777
 1080877 1080878 1080881 1092650 10021943 10024295 10026598 10026599 10028605 10030686 10050689
 10050691 10050692 10058039 10058040 10058041 10058062 10059391 10059392 10059393 10059398 10062675
 10062678 10062687 10079093 10079094 10092446 10092448 10097114 10097121 10101771 10101773 10101777
 10101788 10101791 10102962 10102964 10102973 10102974 10102977 10102979 10102980 10102981 10144920
 10144921 10144925 10148639 10151929 10159970 10159971 10159979 10162823 10233021 10233031 10654565
 10902593 10907682 10907685

1	01181965	1	screw
001			EN 1662 -F-M6X20-10.9-ZNAL-A
2	04194078	1	sensor
242	01016105	1	sealing compound



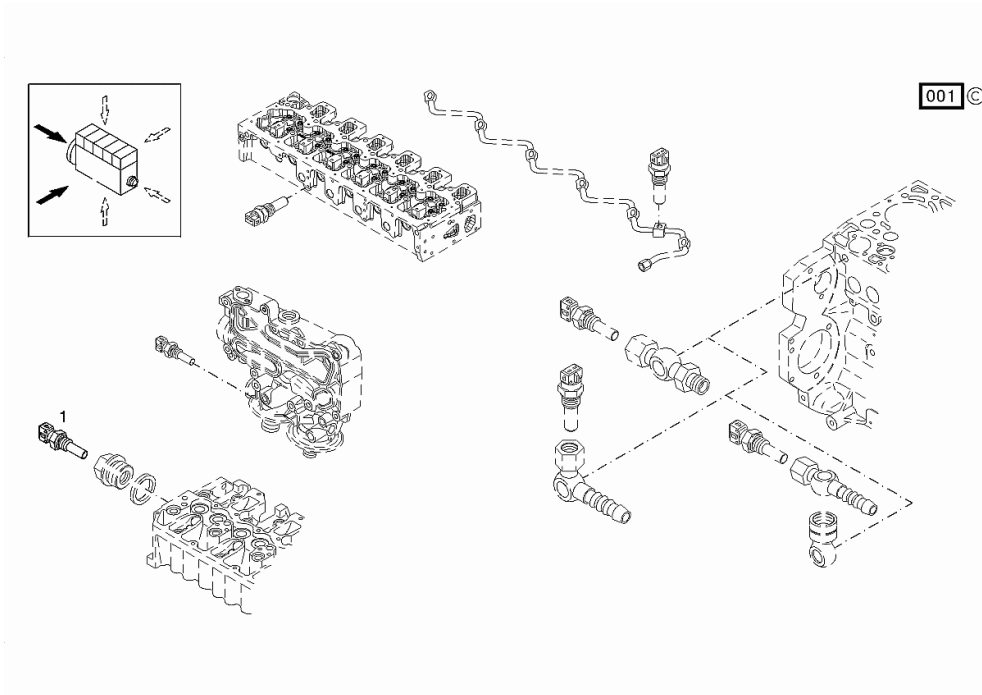
Section: B0 - ENGINE
TEMPER.TRANSMITTER

Fig.	Code	QTY	Name
------	------	-----	------

Engine Serial Numbers:

10148639 10151929 10159970 10159971 10159979 10162823 10233021 10233031 10654565 10902593 10907682
 10907685

1	04213839	1	tempe guage 25 Nm
---	----------	---	----------------------

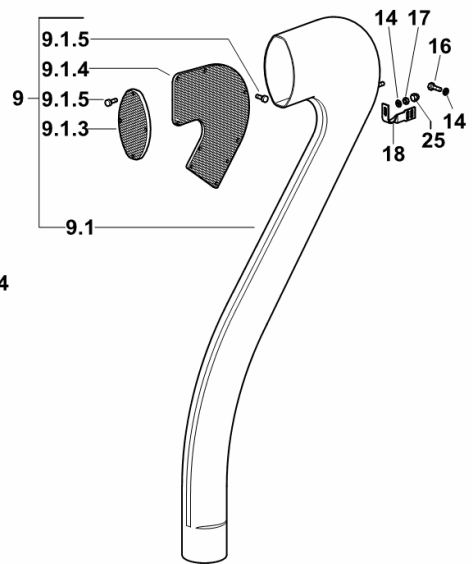
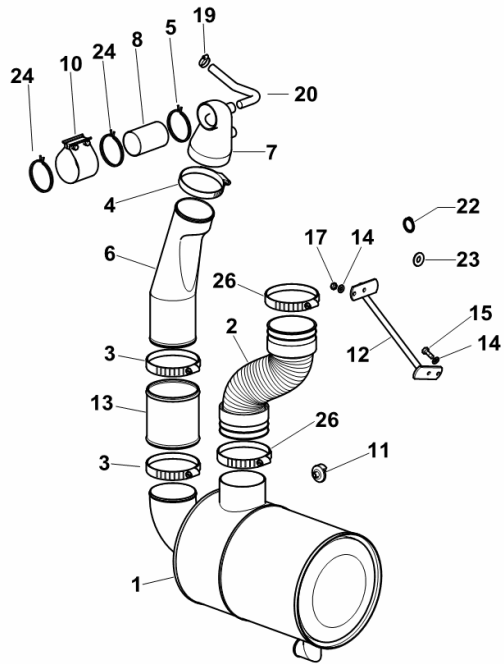


DRY AIR FILTER

Fig.	Code	QTY	Name
------	------	-----	------

Notes:

[DIAMOND 265] -> 3218

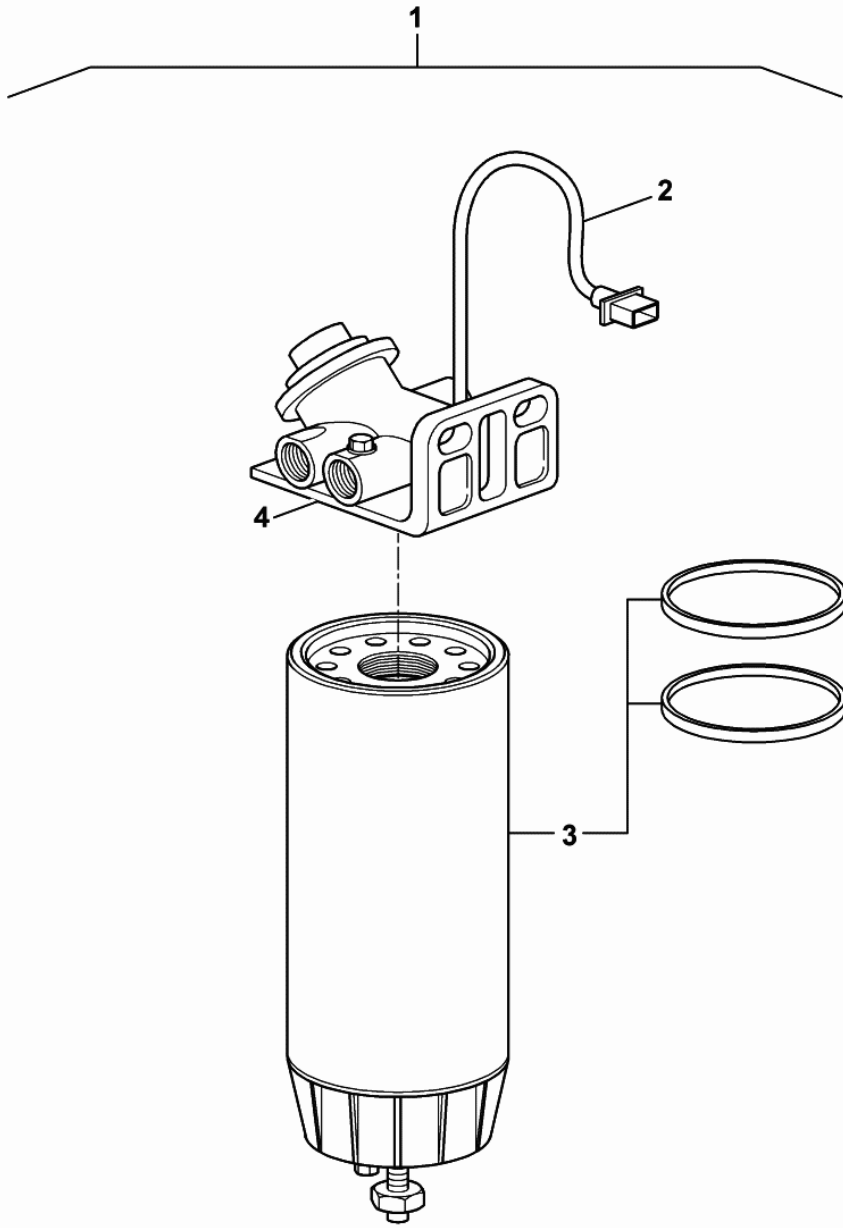


K9_A0181_10_0-A-002

1	04431289.4	1.000	air filter ☞ 04431289.4
2	04431294	1.000	tube (3374 <-)
2	04431294	1	tube (-> 3375)
3	04436471	4.000	clamp DIN 3017- 120-140 (3333 <-)
3	04436471	2	clamp DIN 3017- 120-140 (-> 3334)
4	01128276	1.000	clamp Ø 110/130
5	01174133	1	hose clip
6	04431296.4	1.000	tube
7	04204432	1.000	manifold
8	04451112	1	tube
9	04431291.4	1.000	tube
9.1	04434798.4	1.000	tube
9.1.3	04434787	1.000	lamination
9.1.4	04434788	1.000	lamination
9.1.5	04423627	13.000	stop
10	01175646	1	rubber sleeve 90x97x80
11	04419014	1	sleeve
12	04431293	1.000	console
13	01171342	1.000	rubber sleeve
14	2.1310.004.2	5.000	flat washer 8.5
15	2.0114.209.2	2.000	screw m 8 x 25
16	2.0114.207.2	2	screw m 8 p.1.25 x 20
17	2.1011.105.2	3	nut m 8 p.1.25
18	04413465	1.000	support
19	2.6851.002.0	2.000	clamp Ø 20/32
20	04412019	1.000	tube (3358 <-)
20	04412015	1.000	tube (-> 3359)
22	2.1410.003.2	1.000	circlip
23	2.1310.009.2	1.000	flat washer 14
24	01138380	2	hose clip Ø 80/100
25	01174042	1	cap
26	04434801	2	hose clip 130-150

FUEL FILTER

Fig.	Code	QTY	Name
1	04454769	1	fuel filter element
2	02113150	1	wire
3	0.900.0793.5	1	fuel filter element
4	0.000.0000.1	0	not serviceable

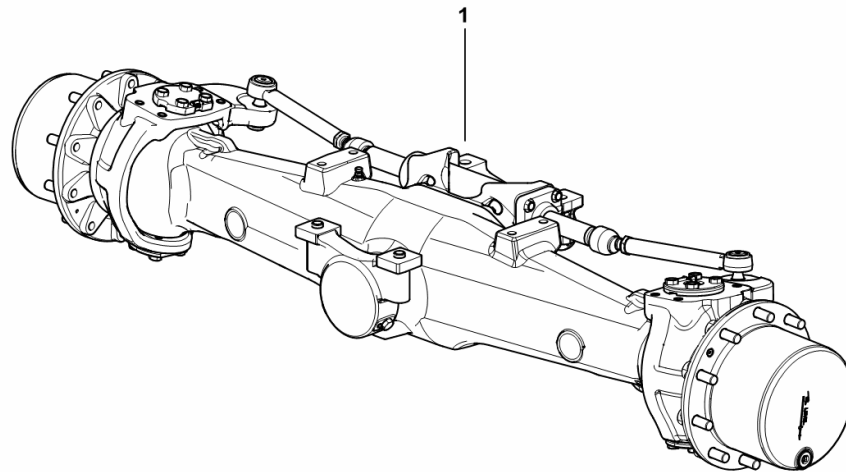


04454769

Section: F0 - FRONT AXLE
4WD - FRONT DRIVE AXLE

Fig.	Code	QTY	Name
------	------	-----	------

Notes:
 [DIAMOND 265] -> 3218

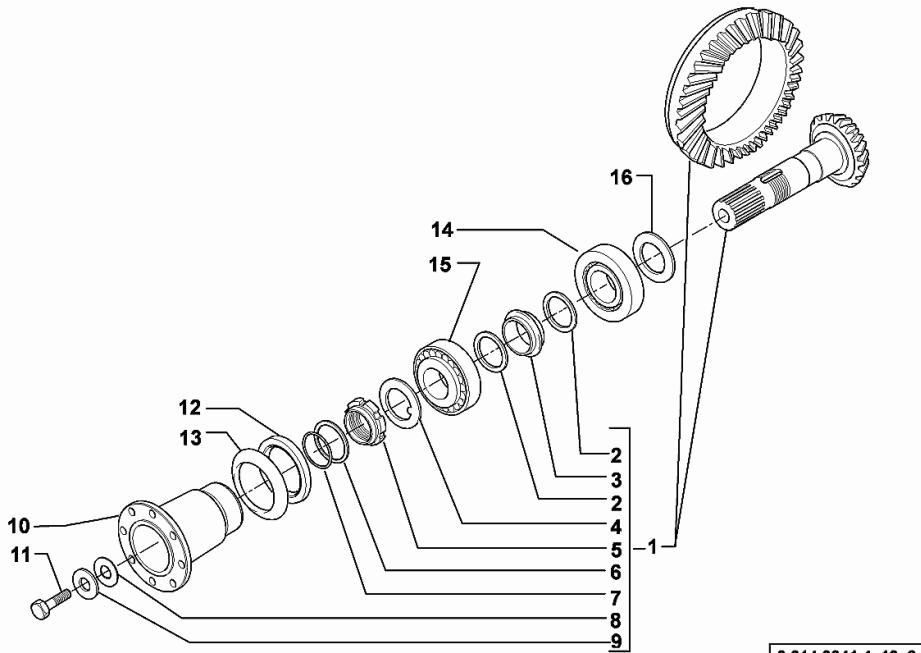


1	0.014.0341.4	1	complete axle (3373 <-) ☞ 0.014.0341.4 ☞ 0.014.0341.4 ☞ 0.014.0341.4 ☞ 0.014.0341.4 ☞ 0.014.0341.4 ☞ 0.014.0341.4 ☞ 0.014.0341.4
1	0.014.0341.4/10	1	complete axle (3374) ☞ 0.014.0341.4/10 ☞ 0.014.0341.4/10 ☞ 0.014.0341.4/10 ☞ 0.014.0341.4/10 ☞ 0.014.0341.4/10 ☞ 0.014.0341.4/10 ☞ 0.014.0341.4/10
1	0.014.0341.4/20	1	complete axle (-> 3375) ☞ 0.014.0341.4/20 ☞ 0.014.0341.4/20 ☞ 0.014.0341.4/20 ☞ 0.014.0341.4/20 ☞ 0.014.0341.4/20 ☞ 0.014.0341.4/20

K9_B2043_00_0-A-001

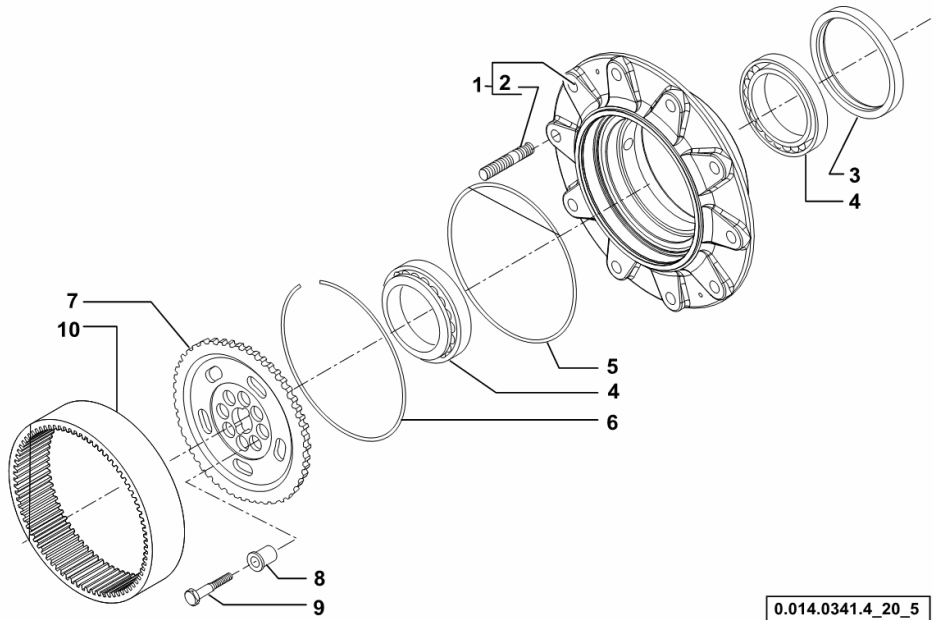
BEVEL WHEEL GEAR - [149434]

Fig.	Code	QTY	Name
1	0.900.0097.6	1	bevel gear COMPLETE (2, 3, 4, 5, 6, 7, 8 & 9)
2	0.900.0097.7	2	washer
3	0.900.0097.8	1	spacer
4	0.900.0097.9	1	washer
5	0.900.0098.0	1	ring nut M 45X1.5 D.56/9
6	0.900.0098.1	1	washer
7	0.900.0098.2	1	ring
8	0.900.0098.3	0	shim
8	0.900.0098.4	0	shim
8	0.900.0098.5	0	shim
9	0.900.0098.6	1	washer
10	0.900.0098.7	1	flange
11	0.900.0098.8	1	screw m 12 x 25
12	0.900.0098.9	1	circlip
13	0.900.0099.0	1	cover
14	0.900.0099.1	1	bearing
15	0.900.0099.2	1	bearing
16	0.900.0099.3	0	shim 2.50
16	0.900.0099.4	0	shim 2.60
16	0.900.0099.5	0	shim 2.70
16	0.900.0099.6	0	shim 2.80
16	0.900.0099.7	0	shim 2.90
16	0.900.0099.8	0	shim 3.00
16	0.900.0099.9	0	shim 3.10
16	0.900.0100.0	0	shim 3.20
16	0.900.0100.1	0	shim 3.30
16	0.900.0100.2	0	shim 3.40



WHEEL HUB

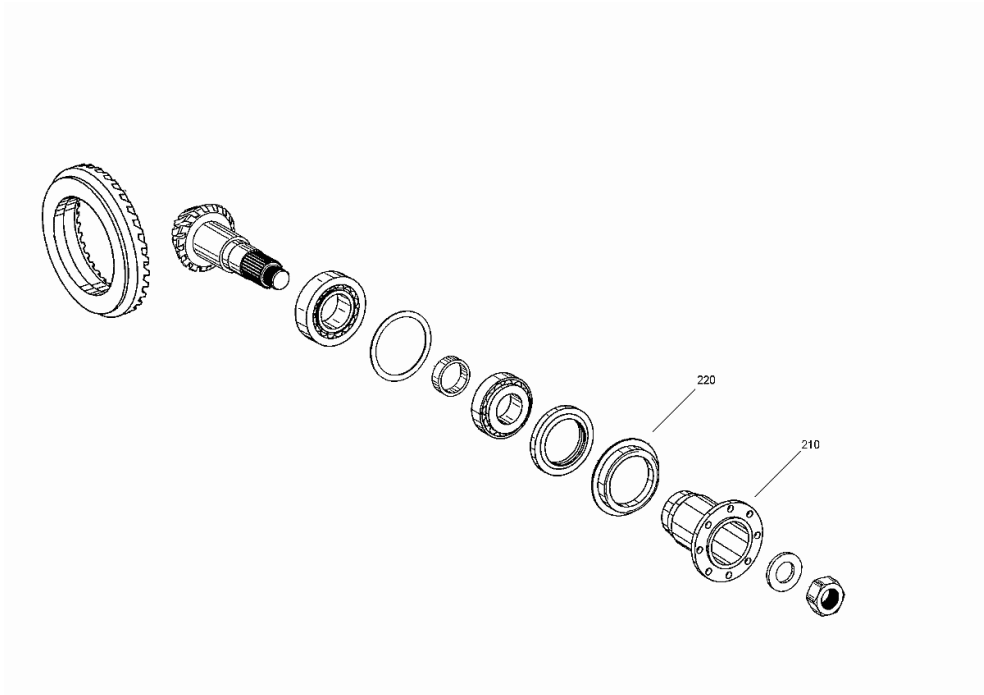
Fig.	Code	QTY	Name
1	0.900.0103.7	2	wheel hub
2	0.900.0103.8	20	stud bolt
3	0.900.0103.9	2	circlip
4	0.900.0104.0	4	bearing
5	0.900.0104.1	2	ring
6	0.900.0104.2	2	ring
7	0.900.0104.3	2	hub
8	0.900.0104.4	20	sleeve
9	0.900.0104.5	20	screw m14x1.5
10	0.900.0104.6	2	crown wheel z = 81



0.014.0341.4_20_5

DIFFERENTIAL BEVEL GEAR PAIR

Fig.	Code	QTY	Name
210	04433963	1	flange
220	04433964	1	lamination



DIAMOND 265

N0 - FRONT LIFT

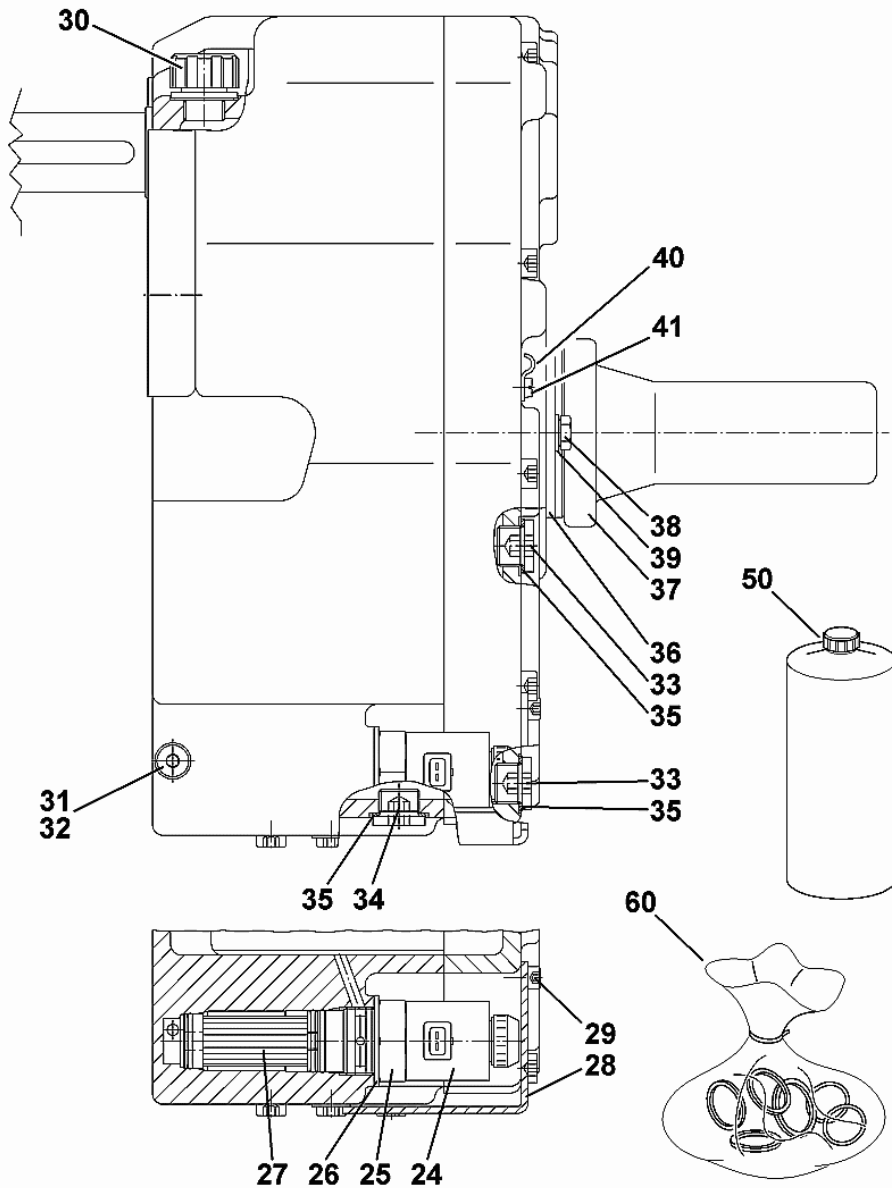
GENERAL

FRONT HYDRAULIC POWER-LIFT.....	N0.00.0 (1)
FRONT HYDRAULIC POWER-LIFT.....	04452286.A
HYDRAULIC SYSTEM.....	04452286.B

Section: M0 - FRONT PTO
P.T.O. SHAFT

04452285_C

Fig.	Code	QTY	Name
24	0.900.0813.8	1	magneto
25	0.900.0813.9	1	electro valve
26	0.900.0814.0	1	ring DIN 7603 - 30x36x2
27	0.900.0814.1	1	filter
28	0.900.0814.2	1	guard
29	0.900.0814.3	1	screw m 6 x 10
30	0.900.0814.4	1	valve m 18 x 1,5
31	0.900.0814.5	1	plug M10 x 1.0 - 5.8
32	0.900.0824.1	1	ring DIN 7603 - 10 x 14 x 1
33	0.900.0824.2	2	plug m 18 p.1.5
34	0.900.0823.8	1	plug m 18 p.1.5
35	0.900.0823.9	3	ring
36	0.900.0813.1	1	ring
37	0.900.0815.2	1	small cover
38	0.010.3040.0	2	screw m 8 p.1.25 x 20
39	0.010.3036.1	2	washer 8.4x16x1.6
40	0.900.0815.3	1	support
41	0.900.0815.4	1	screw M4 x 10 x 4.8
60	0.900.0815.6	1	gasket set



DIAMOND 265

Section: H0 - HYDRAULIC AND PNEUMATIC SYSTEM|

Ref.: H0.01.5 (1)

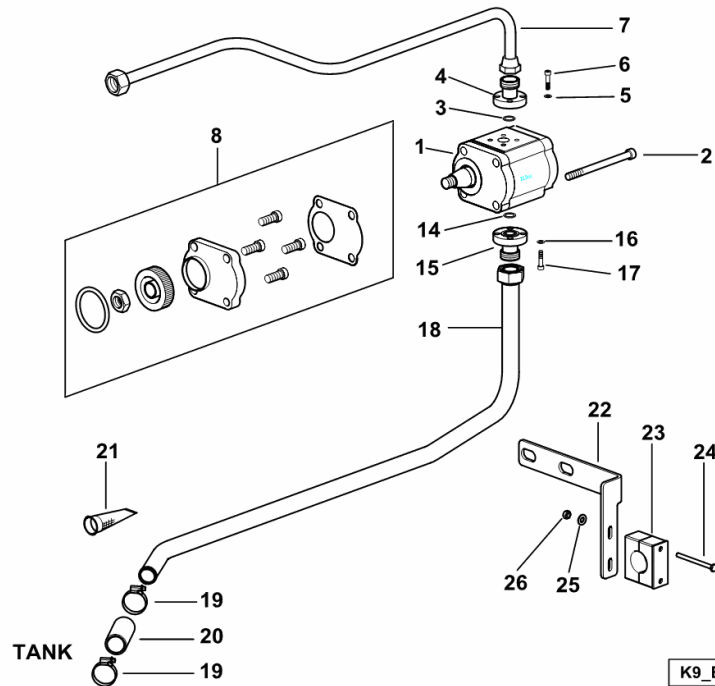
GEAR PUMP - WITHOUT BREAKING FOR TRAILER

Fig.	Code	QTY	Name
------	------	-----	------

Notes:

[DIAMOND 265]

1	16048149	1	hydraulic pump 22.5 cc sx/lh/li ☞ 16048149
2	2.0319.020.6	2	screw
3	06214809	1	'o' ring 18x2,5
4	04450491	1	flange
5	2.1474.007.2	4	washer 6, d128
6	2.0312.106.2	4	screw m 6 p.1 x 20
7	04451975	1	pipng
8	00290646	1	flange ☞ 00290646
14	04361481	1	ring 26x2.5
15	04451970	1	flange
16	2.1474.007.2	4	washer 6, d128
17	01110519	4	screw
18	04452239	1	primer
19	2.6851.004.0	2	clamp Ø 32/50
20	0.016.9123.0	1	sleeve
21	04451075	1	filter
22	04452200	1	support
23	01145451	1	clamp Ø 35
24	2.0112.024.2	2	screw m 6 p.1x65
25	01119817	2	washer
26	2.1011.103.2	2	nut m 6 p.1



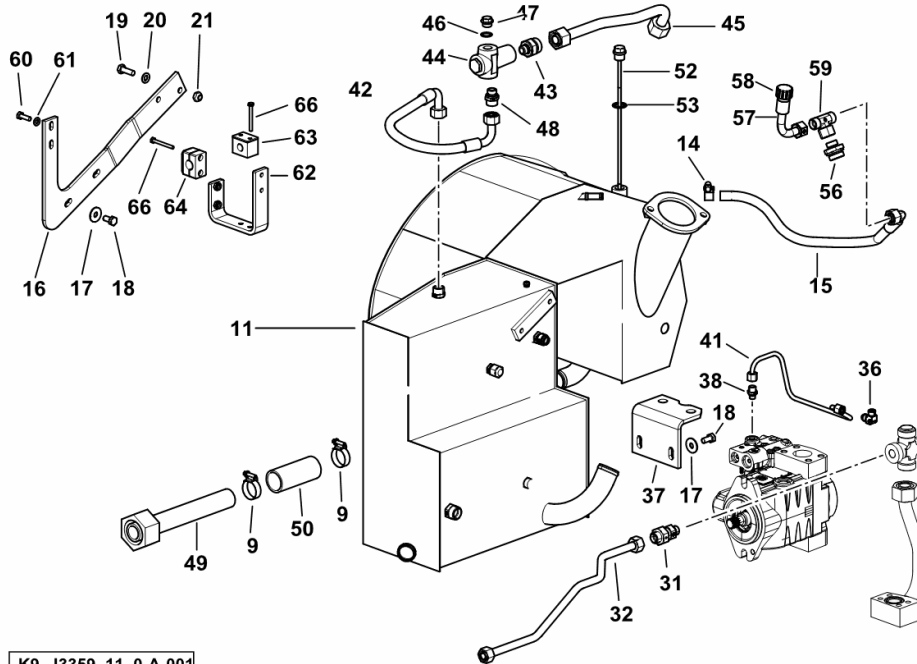
K9_B2082_36_0-A-001

DIAMOND 265

Section: H0 - HYDRAULIC AND PNEUMATIC SYSTEM|

Ref.: H0.01.10 (1)

HYDRAULIC PUMP AND OIL TANK



K9_J3359_11_0-A-001

Fig.	Code	QTY	Name
------	------	-----	------

Notes:

- FOR 8-WAY DISTRIBUTOR [DIAMOND 265] -> 3374

9	2.6851.004.0	4	clamp Ø 32/50
11	0.016.0616.0	1	tank
14	2.6851.001.0	1	clamp Ø 16/25
15	04453598/20	1	flexible hose
16	0.016.1559.0	1	bracket
17	01131110	4	washer 10.5
18	2.0114.307.2	4	screw m 10 x 20, d933
19	2.0114.311.2	2	screw m 10 p.1.25 x 30
20	2.1310.006.2	2	flat washer 10.5
21	2.1121.007.2	2	nut m 10 p.1.5
31	04450523	1	valve
32	0.016.0352.3	1	tube
36	01143305	1	pipe fitting
37	04451824	1	support
38	04454508/10	1	pipe fitting Ø 8
41	0.016.1651.3	1	tube
42	04453597	1	tube
43	0.016.0341.4	1	pipe fitting
44	04452159	1	valve
45	0.016.0351.3	1	tube
46	01118713	1	washer 18.5
47	01118970	1	plug m 18 p.1.5
48	01177226	1	pipe fitting m 18 p.1.5 x 15
49	04453603	1	tube
50	04413657/10	1	flexible hose
52	04453679	1	dipstick
53	2.1561.011.0	1	gasket
56	04453668	1	pipe fitting
57	04451853.4	1	pipng
58	04417453	1	filter
59	01144829	1	tongue
60	2.0114.209.2	2	screw m 8 x 25
61	2.1310.004.2	2	flat washer 8.5
62	0.016.0667.3	1	bracket
63	16003281	1	clamp Ø 15
64	0.016.0668.4	1	terminal
66	2.0112.020.2	4	screw m 6 p.1 x 55

DIAMOND 265

Section: H0 - HYDRAULIC AND PNEUMATIC SYSTEM|

Ref.: 04452760.A

HYDRAULIC PUMP

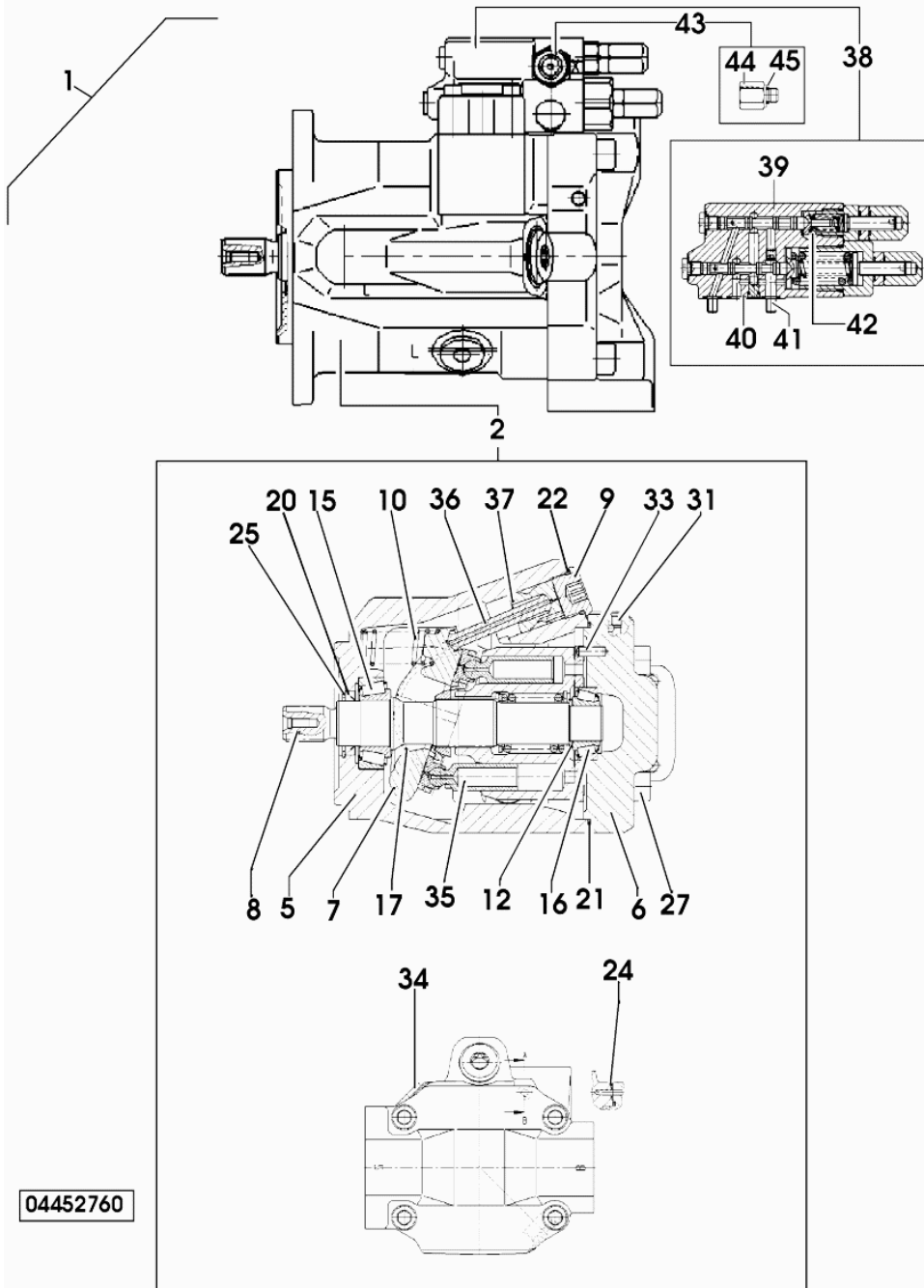
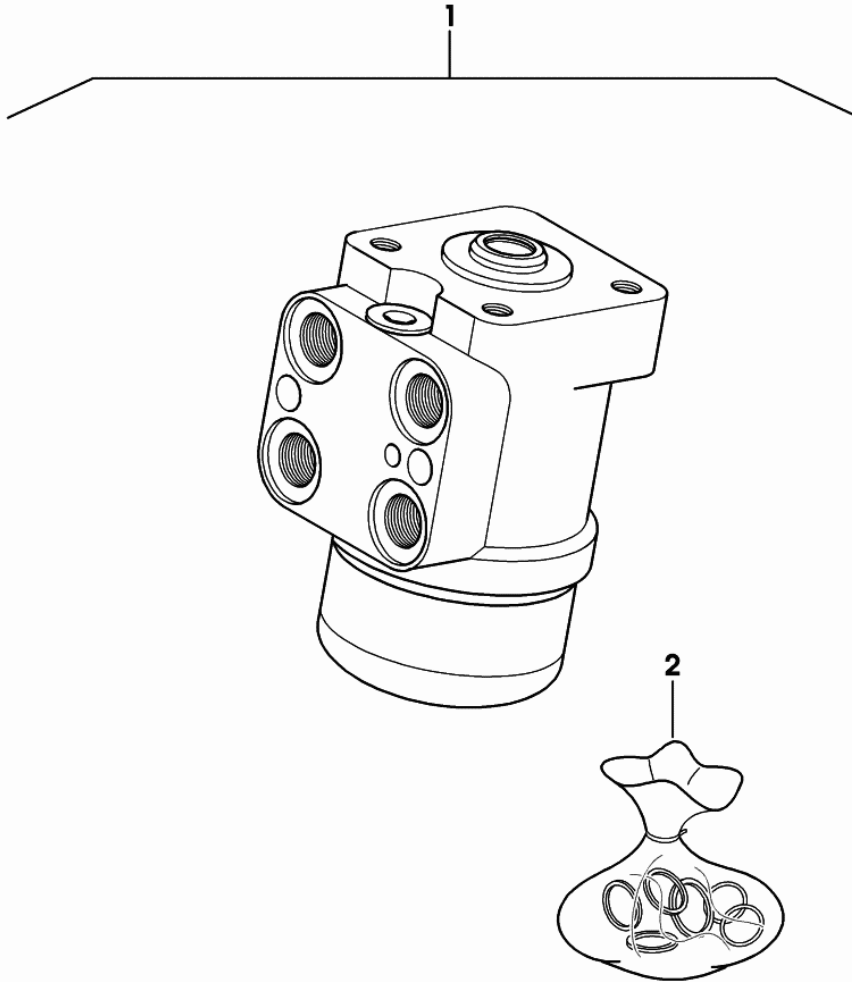


Fig.	Code	QTY	Name
1	04452760	1	hydraulic pump - BOSCH
2	0.900.0040.5	1	hydraulic pump
5	0.900.0040.6	1	hydraulic pump
6	0.900.0040.7	1	plate
7	0.010.3851.2	1	plate
8	0.900.0040.8	1	shaft
9	0.010.3852.1	1	plug
10	0.010.2766.2	1	spring
12	0.010.2767.0	1	ring
15	0.010.2767.1	1	bearing
16	0.010.2767.2	1	bearing
17	0.010.2768.0	2	plate
20	0.010.2768.1	1	ring
21	0.010.2768.2	1	'o' ring 120x2.5
22	0.010.2769.0	1	'o' ring 23.7x2.8
24	0.010.2769.1	1	'o' ring 7.65x1.68
25	0.900.0040.9	1	ring
27	0.010.2770.0	4	screw m 12 x 45
31	0.900.0041.0	1	pin
33	0.010.2770.2	1	grain m 6x18
34	0.010.2771.0	1	plug 7/8"
35	0.900.0041.1	1	rotor
36	0.010.2764.2	1	cylinder
37	0.010.2765.0	1	piston
38	0.900.0041.6	1	valve
39	0.900.0041.7	1	pump casing
40	0.900.0041.8	3	ring 7.65 x 1.78
41	0.010.2760.2	4	screw m 6 x 30
42	0.900.0041.9	1	plug 7/16" - 20"
43	0.900.0042.0	1	agglomerator 7/16" - 20"
44	0.900.0042.1	1	agglomerator 7/16" - 20"
45	0.900.0042.2	1	ring 9.25x1.78

04452760

Fig.	Code	QTY	Name
1	04450329	1	hydrosteering
2	0.900.0039.4	1	seal ring kit



04450329

DIAMOND 265

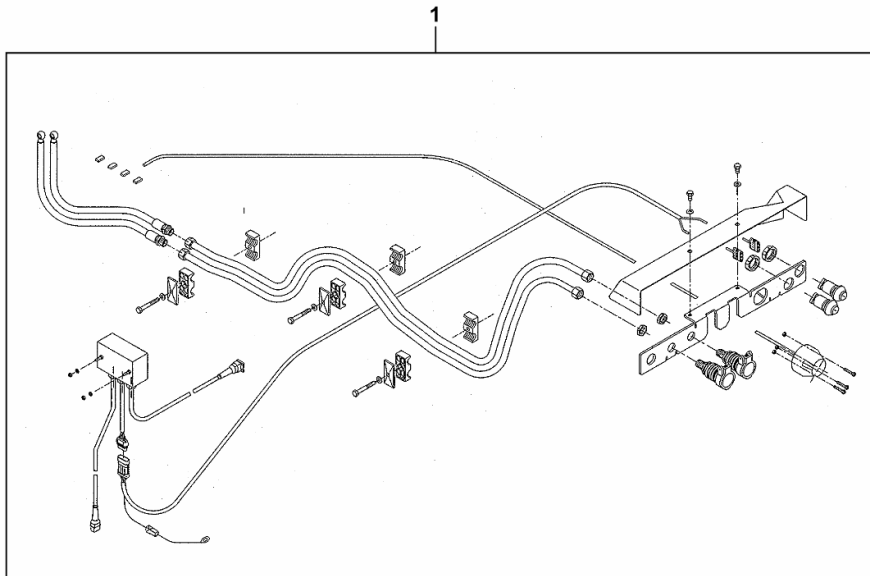
Section: H0 - HYDRAULIC AND PNEUMATIC SYSTEM|
FRONT QUICK COUPLERS

Ref.: H0.06.0 (1)

Fig.	Code	QTY	Name
------	------	-----	------

Notes:
[DIAMOND 265]

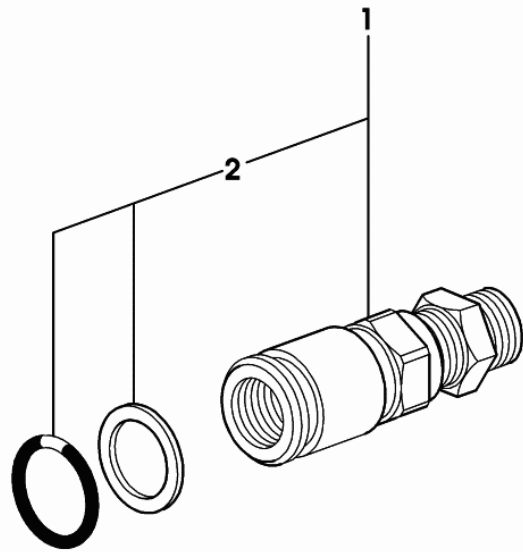
1	04452773	1	sub-assy parts ☞ 04452773
---	----------	---	------------------------------



K9_C7888_01_0-A-001

ENGAGEMENT

Fig.	Code	QTY	Name
1	04450416	1	coupling m 36 p.2
2	0.900.0389.0	1	'o' ring

**04450416**

DIAMOND 265

Section: H0 - HYDRAULIC AND PNEUMATIC SYSTEM|

Ref.: H0.09.3 (2)

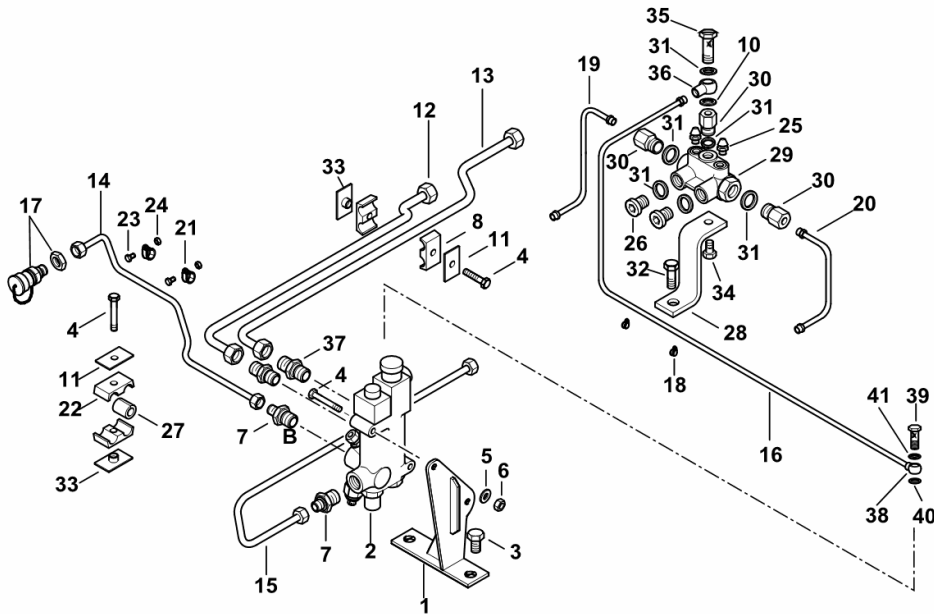
HYDRAULIC BREAKING FOR TRAILER - EXPORT F

Fig.	Code	QTY	Name
------	------	-----	------

Notes:

- FOR TYPES WITHOUT PNEUMATIC BRAKE [DIAMOND 265] -> 3331 <-

1	04453225.3	1	support
2	04452780	1	valve
			☞ 04452780
3	01112687	2	screw m 16 x 40
4	01103734	5	screw m8x55 d931-10
5	01138374	2	washer 8,4x21x4
6	2.1011.105.2	2	nut m 8 p.1.25
7	04428400	2	pipe fitting
8	01178214	2	terminal
10	01118681	2	'o' ring a 12x18 d7603
11	01175670	3	small plate
12	04453228	1	tube
13	04453227	1	tube
14	04453220	1	tube
15	04453600	1	tube
16	04453229	1	tube
17	04307317	1	coupling
18	01171262	2	hose clip b 6x15 h3223
19	04451904/10	1	tube
20	04451905	1	pipng
21	2.6839.055.0	2	clamp Ø 11 / 20
22	06261591	4	clamp 18/15
23	2.0114.007.2	2	screw m 6 p.1 x 20
24	01127079	2	nut m 6
25	04434833	2	valve
26	01137743	2	plug m 14 p.1.5
27	04451910	1	rubber sleeve
28	04451895	1	support
29	04422528	1	valve
30	03420517	3	pipe union m 12 p.1/ m 14 p.1.5
31	01118693	5	gasket 14x20
32	2.0112.407.2	1	screw m 12 p.1.75 x 20
33	01180338	3	small plate
34	2.0114.203.2	1	screw m 8 x 12
35	03497999	1	pipe union m 12 p.1/ m 14 p.1.5
36	03410829	1	pipe fitting
37	04419602	2	pipe fitting
38	2.3339.374.2	1	pipe fitting m 12 p.1.25
39	2.3339.472.2/10	1	pipe union m 12 p.1.25x26
40	2.1569.177.0/10	1	gasket 12.2x18x6
41	2.1560.008.0	1	gasket 12.2 x 18



K9_B2089_00_0-A-002

DIAMOND 265

Section: H0 - HYDRAULIC AND PNEUMATIC SYSTEM]

Ref.: H0.09.13 (1)

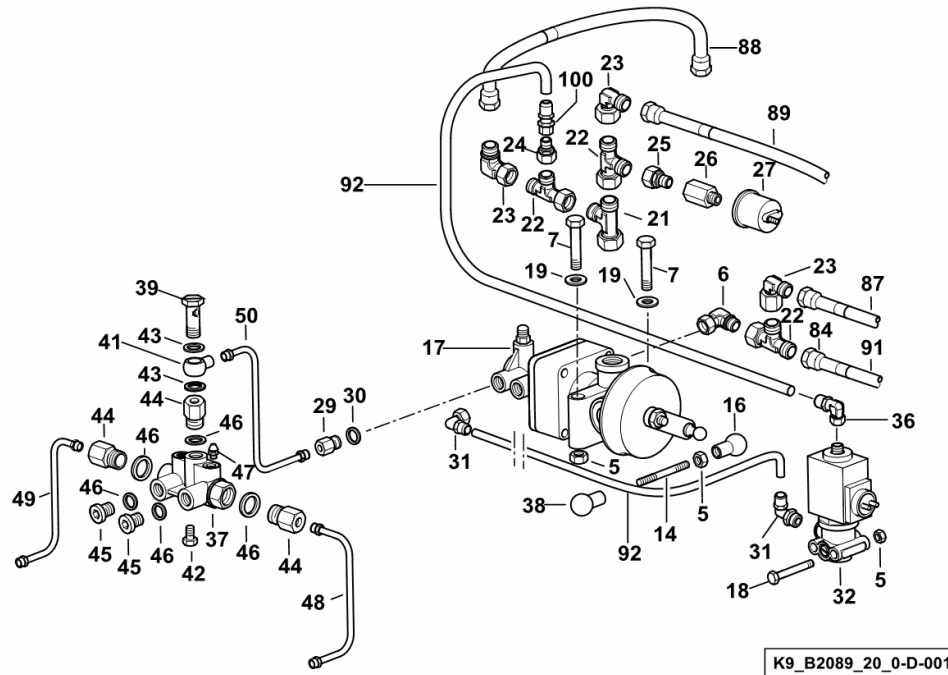
PNEUMATIC TRAILER BRAKING

Fig.	Code	QTY	Name
------	------	-----	------

Notes:

[DIAMOND 265]

5	2.1011.105.2	16	nut m 8 p.1.25
6	01144832	1	pipe fitting
7	01111186	2	screw m 8 x 75
14	04451919/20	1	stud bolt
16	01103049	2	joint as13
17	04432692	1	valve ☞ 04432692
18	2.0114.217.2	2	screw m 8 p.1.25 x 50
19	2.1310.004.2	4	flat washer 8.5
21	04434825	1	tongue
22	01144813	2	pipe fitting T
23	04436896.4	4	pipe fitting L
24	04399955	1	tongue
25	01180554	1	pipe fitting
26	04400542	1	pipe fitting
27	0.011.9428.0	1	pressure switch
29	01269914	1	tongue
30	01118669	1	ring
31	04399958	2	screw
32	04400055	1	electro valve 3/2
36	04434830	1	screw
37	04422528	1	valve
38	04451923	1	square
39	03497999	1	pipe union m 12 p.1/ m 14 p.1.5
41	03410829	1	pipe fitting
42	2.0114.205.2	3	screw m 8 p.1.25 x 16
43	01118681	2	'o' ring a 12x18 d7603
44	03420517	3	pipe union m 12 p.1/ m 14 p.1.5
45	01137743	2	plug m 14 p.1.5
46	01118664	5	ring
47	04434833	2	valve
48	04451900	1	pipng
49	04451905	1	pipng
50	04451904/10	1	tube
84	04438664	10	pipe fitting
87	04451907	1	tube
88	04452269	1	tube
89	04452268	1	tube
91	04452270	1	tube
92	04451908	2	tube
100	04399955	1	tongue



DIAMOND 265

Section: H0 - HYDRAULIC AND PNEUMATIC SYSTEM|

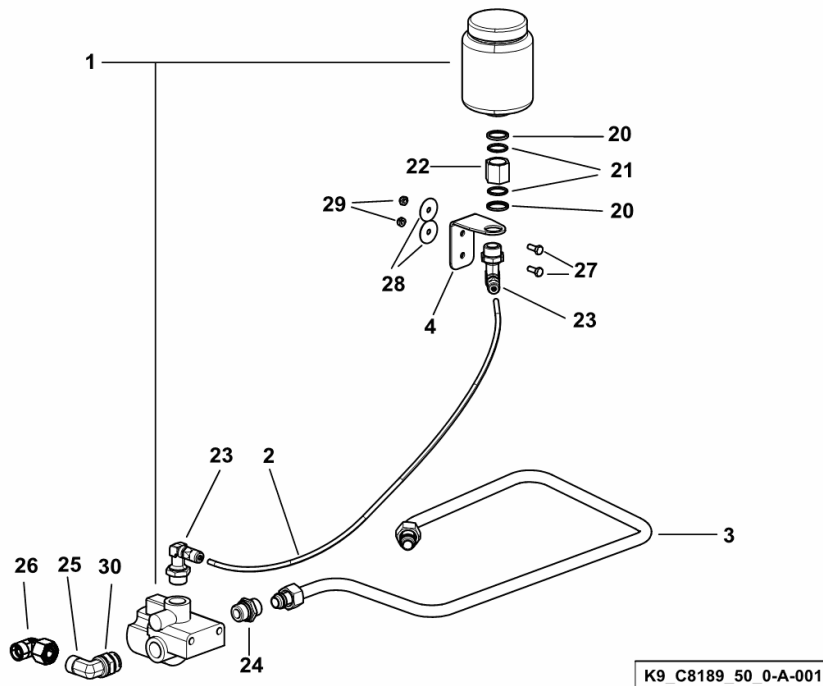
Ref.: H0.09.23 (1)

AIR BRAKING SYSTEM PARTS KIT

Fig.	Code	QTY	Name
------	------	-----	------

Notes:
[DIAMOND 265]

1	04453936	1	pump ☞ 04453936
2	04437674	1	tube L = mm 1700
3	04454919.2	1	tube
4	04454225	1	support
20	02523701	3	ring
21	02523700	3	ring
22	04454094	1	sleeve
23	04432095	2	pipe fitting L
24	01179536	1	pipe fitting H 3132
25	04320595	1	tongue
26	01144817	1	pipe fitting 90°
27	2.0114.005.2	2	screw m 6 p.1.0 x 16
28	2.1312.003.2	2	washer 6
29	2.1120.003.2	2	nut m 6
30	01137633	3	nut m 22 x 1.5



DIAMOND 265

R0 - REAR LIFT

LIFT ASSEMBLY

LIFTING ARM.....	R0.02.0 (1)
HYDRAULIC CYLINDERS.....	R0.02.1 (1)
CYLINDER PARTS.....	0.013.2513.4/50.A

SENSOR

SENSING ELEMENTS WITH ELECTRONIC CONTROL.....	R0.05.0 (1)
---	-------------

THREE-POINT LINKAGE - LINK ARMS

3 POINT HITCH.....	R0.06.0 (1)
3 POINT HITCH.....	R0.06.1 (1)
3-POINT HITCH WITH HYDRAULIC LIFT ROD.....	R0.06.2 (1)
3-POINT LINKAGE.....	R0.06.3 (1)
3-POINT LINKAGE.....	R0.06.4 (1)
THREE-POINT COUPLING - STABILIZATION.....	R0.06.5 (1)
THREE-POINT COUPLING - STABILIZATION.....	R0.06.6 (1)
TOWING BAR.....	R0.06.8 (1)
AUTOMATIC LATERAL STABILIZERS.....	0.012.9826.4.A
TOWING HITCH cat. 3.....	0.014.1421.3.A
3 POINT HITCH.....	04428431.4.A
3-POINT HITCH WITH HYDRAULIC LIFT ROD.....	04432122.4/10.A

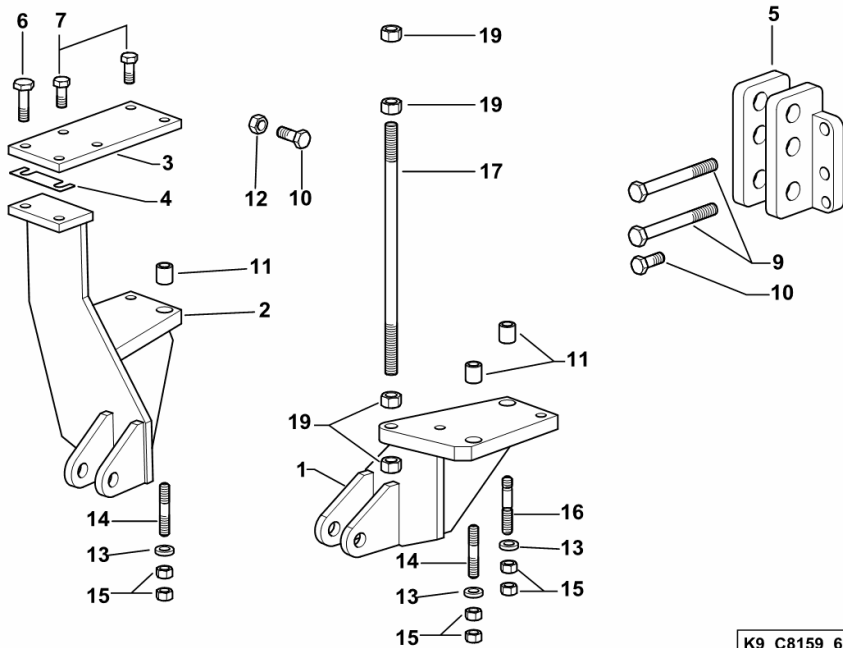
THREE-POINT COUPLING - STABILIZATION

Fig.	Code	QTY	Name
------	------	-----	------

Notes:

- FOR TYPES WITH PNEUMATIC BRAKE [DIAMOND 265] -> 3363

1	0.014.5605.4	1	stabiliser
2	0.014.1811.4/10	1	stabiliser
3	0.013.2391.0	1	plate
4	0.013.2428.0	2	shim
5	0.012.4323.2/10	1	support
6	2.0112.621.2	2	screw m 16 p.2 x 60
7	2.0112.615.2	4	screw m 16 p.2 x 40
9	04452220	4	screw m 20x175
10	2.0129.074.6	4	screw m 18 p.1.5x45
11	04411073	4	spacer
12	2.1120.105.2	2	selflock nut m 8 p.1.25
13	01174740	8	washer 16.5
14	2.0433.419.7	6	stud bolt m 16 p.2-1.5x70
15	2.1012.409.7	16	nut m 16
16	2.0433.421.7	2	stud bolt m 14 p.2-1.5x80
17	0.014.5604.0/10	1	rod
19	2.1012.111.7	4	nut



K9_C8159_60_0-A-001

Section: D0 - TRANSMISSION
SPLITTER 2094.009.018

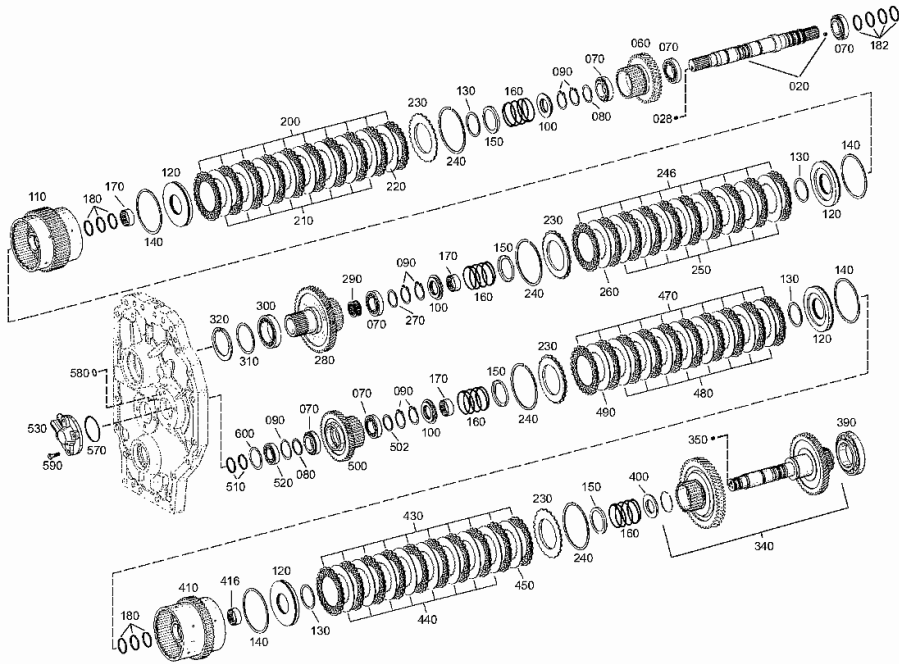


Fig.	Code	QTY	Name
230	04416414	4	washer
240	04439042	4	ring
246	04416412	10	disc
250	04416413	8	disc mm 2.0
260	04434228	1	thin plate mm 1.5
260	04434229	1	thin plate mm 2.5
260	04416413	1	disc mm 2.0
270	04416503	1	shim mm 1.50
280	04434445	1	gear Z = 59
290	04434446	1	workshop tool
300	04434447	1	roller bearing
310	04434448	1	shim mm 1.20
310	04434449	1	shim mm 1.25
310	04434450	1	shim mm 1.30
310	04434451	1	shim mm 1.35
310	04434452	1	shim mm 1.40
310	04434453	1	shim mm 1.45
310	04434454	1	shim mm 1.50
310	04434455	1	shim mm 1.55
310	04434456	1	shim mm 1.60
310	04434457	1	shim mm 1.65
310	04434458	1	shim mm 1.70
310	04434459	1	shim mm 1.75
310	04434460	1	shim mm 1.80
310	04434461	1	shim mm 1.85
310	04434462	1	shim mm 1.90
310	04434463	1	shim mm 1.95
310	04434464	1	shim mm 2.00
310	04434465	1	shim mm 2.05
310	04434466	1	shim mm 2.10
310	04434467	1	shim mm 2.15
310	04434468	1	shim mm 2.20
320	0.010.2610.0	1	circlip 95x3
340	0.900.0122.3	1	shaft
350	0.010.2609.2	2	screw m 10x8
390	01178171	1	roller bearing
390	0.900.0283.0	1	roller bearing (...) <- > (...)
400	04434474	1	bearing
410	0.900.0962.2	1	support
416	04436326	1	pin
430	04416412	10	disc
440	04416413	8	disc mm 2.0

SUPER REDUCTION GEAR UNIT 2094.009.018

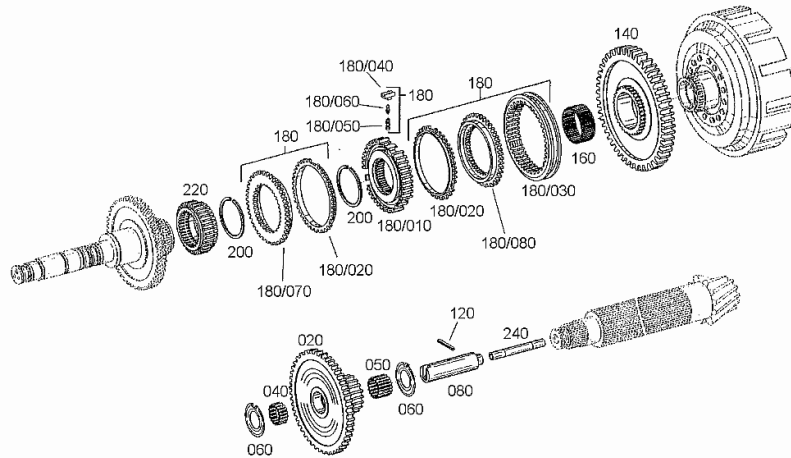
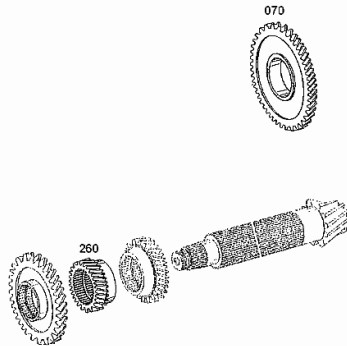


Fig.	Code	QTY	Name
20	0.010.2616.3	1	gear z = 69 z = 18
40	04415815	1	roller cage
50	01273171	1	workshop tool
60	04433805	2	shim
80	04433806	1	pin
120	0.010.2617.0	1	pin 6x40
140	04433807	1	gear Z = 60
160	04433808	1	roller cage
180	04433809	1	lock synchronizer TO GEARBOX SERIAL NUMBER ZF 506193
180	0.010.3775.1	1	lock synchronizer FROM GEARBOX SERIAL NUMBER ZF 506194
180.10	0.010.3460.2	1	lock synchronizer TO GEARBOX SERIAL NUMBER ZF 506193
180.10	0.010.3778.1	1	lock synchronizer FROM GEARBOX SERIAL NUMBER ZF 506194
180.20	0.010.3460.1	2	ring TO GEARBOX SERIAL NUMBER ZF 506193
180.20	0.010.3776.1	2	ring FROM GEARBOX SERIAL NUMBER ZF 506194
180.30	0.010.3462.0	1	sleeve TO GEARBOX SERIAL NUMBER ZF 506193
180.30	0.900.0120.1	1	sleeve FROM GEARBOX SERIAL NUMBER ZF 506194
180.40	0.010.3423.0	3	ferrule TO GEARBOX SERIAL NUMBER ZF 506193
180.40	0.010.3777.0	3	pieces FROM GEARBOX SERIAL NUMBER ZF 506194
180.50	0.010.3419.2	3	spring TO GEARBOX SERIAL NUMBER ZF 506193
180.50	0.010.3775.2	3	spring FROM GEARBOX SERIAL NUMBER ZF 506194

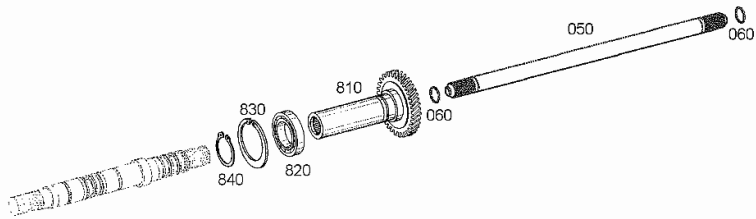
Section: D0 - TRANSMISSION
LAYSHAFT 2094.009.018

Fig.	Code	QTY	Name
70	04431799	1	gear Z=65 TO GEARBOX SERIAL NUMBER ZF 500822
70	0.900.0990.5	1	gear FROM GEARBOX SERIAL NUMBER ZF 500823
260	04433182	1	gear Z = 29



P.T.O. - POWER TAKE OFF 2094.009.018

Fig.	Code	QTY	Name
50	04433535	1	shaft
60	01139413	2	circlip
810	04433581	1	gear wheel Z = 46
820	04433534	1	ball bearing
830	01107855	1	circlip 80 x 2.5
840	0.010.2609.0	1	circlip 50x3



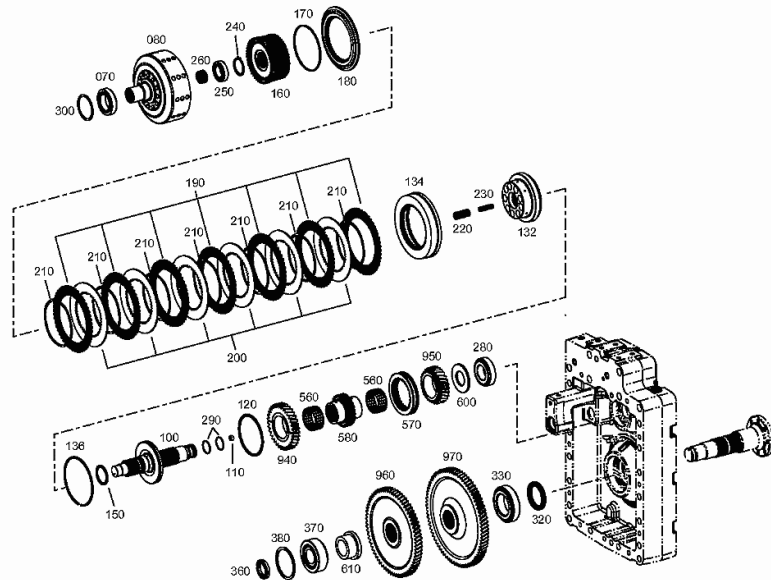
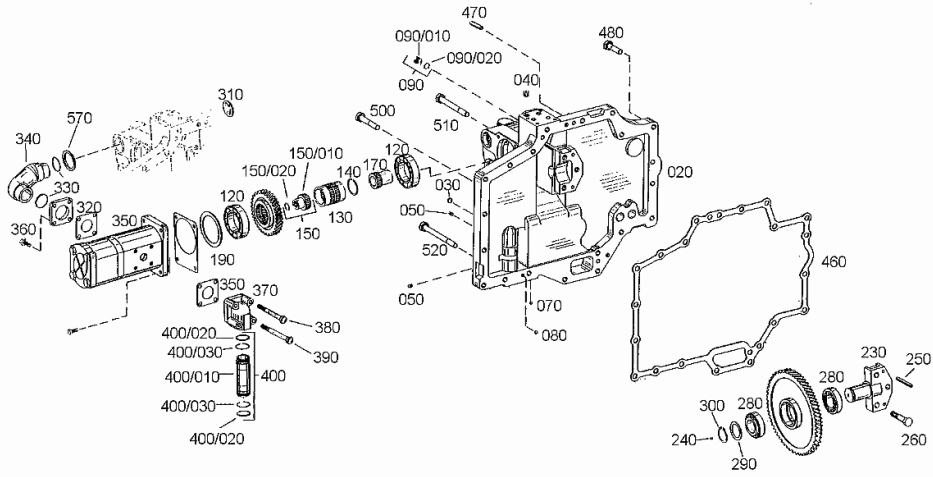
P.T.O. - POWER TAKE OFF 2094.009.018

Fig.	Code	QTY	Name
170	04439012	1	washer mm 2.30
170	04439013	1	washer mm 2.40
170	04439014	1	washer mm 2.50
180	04433543	1	washer
190	04433544	7	thin plate (...) <-
190	0.900.1132.0	7	disc -> (...)
200	04416795	6	thin plate
210	04416796	7	stop (...) <-
210	0.900.1281.1	7	spring -> (...)
220	0.010.3420.1	9	spring
230	04431765	9	spring
240	01100621	1	circlip 48x2.5
250	04416358	1	roller bearing
260	04433548	1	bearing
280	0.010.3791.1	1	roller bearing
290	04416364	2	ring 40x2
300	04433551	1	washer mm 2.50
300	04433552	1	washer mm 2.45
300	04433553	1	washer mm 2.40
300	04433554	1	washer mm 2.35
300	04433555	1	washer mm 2.30
300	04433556	1	washer mm 2.25
300	04433557	1	washer mm 2.20
300	04433558	1	washer mm 2.15
300	04433559	1	washer mm 2.10
300	04433560	1	washer mm 2.05
300	04433561	1	washer mm 2.00
300	04433562	1	washer mm 1.95
300	04433563	1	washer mm 1.90
300	04433564	1	washer mm 1.85
300	04433565	1	washer mm 1.80
300	04433566	1	washer mm 1.75
300	04433567	1	washer mm 1.70
300	04433568	1	washer mm 1.65
300	04433569	1	washer mm 1.60
300	04433570	1	washer mm 1.55
300	04433571	1	washer mm 1.50
320	04331422	1	'o' ring
330	04433549	1	roller bearing
360	04436323	1	nut

PUMP CONTROL - TO GEARBOX SERIAL NUMBER ZF 929141 2094.009.018

Fig.	Code	QTY	Name
290	04417122	1	shim mm 2.40
290	04417123	1	shim mm 2.45
290	04416778	1	shim mm 2.50
290	04416775	1	shim mm 2.50
290	04417126	1	shim mm 1.85
290	04417127	1	shim mm 1.90
290	04417128	1	shim mm 1.95
300	0.010.2621.1	1	circlip 30x2
310	0.010.2621.2	1	washer 34
320	0.900.0051.2	1	flange
320	04434192	1	flange
330	0.900.0051.3	1	'o' ring
330	04434193	2	'o' ring 37x2.5
340	0.900.0051.4	1	manifold
340	04434195	1	manifold
350	04434194	2	gasket
360	04434498	4	screw m 8 x 25
370	04415836	1	manifold
380	04434549	2	screw m 8 x 45
390	0.010.3782.2	2	screw m 8 x 55
400	0.010.2874.1	1	tube
460	04434433	1	gasket
470	04415833	2	cylindrical plug 10 m 6x35
480	04434553	13	screw m 10 x 40
500	04434554	3	screw m 6 x 60
510	04434555	2	screw m 6x95
520	04434556	2	screw m 6x110
570	0.000.0000.1	1	not serviceable
570	04434196	1	shim mm 2.30
570	04434197	1	shim mm 2.20
570	04434198	1	shim mm 2.10
570	04434199	1	shim mm 2.00
570	04434200	1	shim mm 1.90



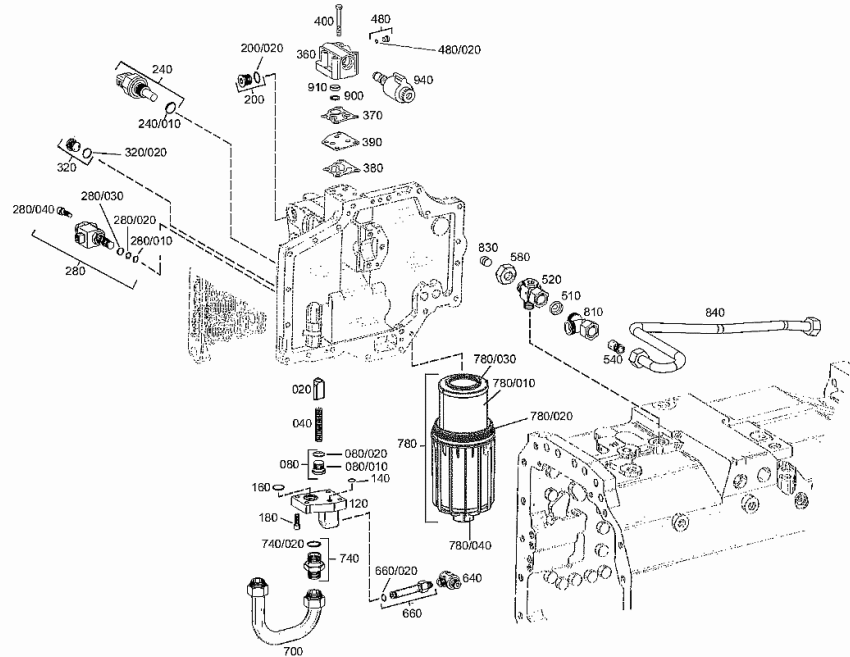
Section: D0 - TRANSMISSION
OIL SUPPLY -> (...) 2094.009.015

Fig.	Code	QTY	Name
20	0.900.0489.2	1	cone
40	04415955	1	spring
80	04434341	1	plug
80.20	04436328	1	'o' ring 23x2
120	04434342	1	flange
140	04329131	1	gasket 8x2.5
160	01272233	1	ring 30x3
180	04434509	4	screw m 8 x 30
200	04434343	1	screw
200.20	04415962	1	'o' ring 19x2
240	0.900.0800.6	1	tempe guage
240.10	0.900.0801.6	1	ring 11x2 ZFN 744 FPM-80-10
280	0.900.0952.8	1	electro valve
280.10	0.900.1377.5	1	gasket 12,4 x 1,78
280.20	0.900.1377.6	1	gasket 13 x 1.5
280.30	0.900.1377.7	1	gasket 14x1.78
280.40	0.900.1377.8	1	screw m 8 x 16
320	04434333	1	plug
320.20	02968175	1	'o' ring 15x2
360	0.010.3431.1	1	box
370	0.010.3432.0	1	gasket
380	0.010.3431.2	1	gasket
390	0.010.3432.1	1	thin plate
400	0.010.3353.0	4	screw m 8 x 65
480	0.900.1381.4	1	plug
480.20	04415683	1	'o' ring 8x1.5
510	0.010.2809.1	1	plug D = 7.5
520	0.900.1279.3	1	pipe fitting
540	04439038	1	reduction
580	01151845	1	nut
640	04415957	1	screw
660	0.010.3427.2	1	flexible hose
660.20	04415958	1	'o' ring 10x2.5
700	04434352	1	tube
740	04434353	1	screw
740.20	01272233	1	ring 30x3
780	0.900.0119.6	1	oil filter element
780.10	0.900.0374.4	1	hydr.oil filter elem
780.20	0.900.0379.1	1	gasket
780.30	0.900.0466.4	1	'o' ring
780.40	0.900.0466.5	1	plug
810	04439035	1	tongue
830	0.010.2623.2	1	plug
840	0.010.3427.1	1	flexible hose

Section: D0 - TRANSMISSION
POWER SHIFT 2094.009.015

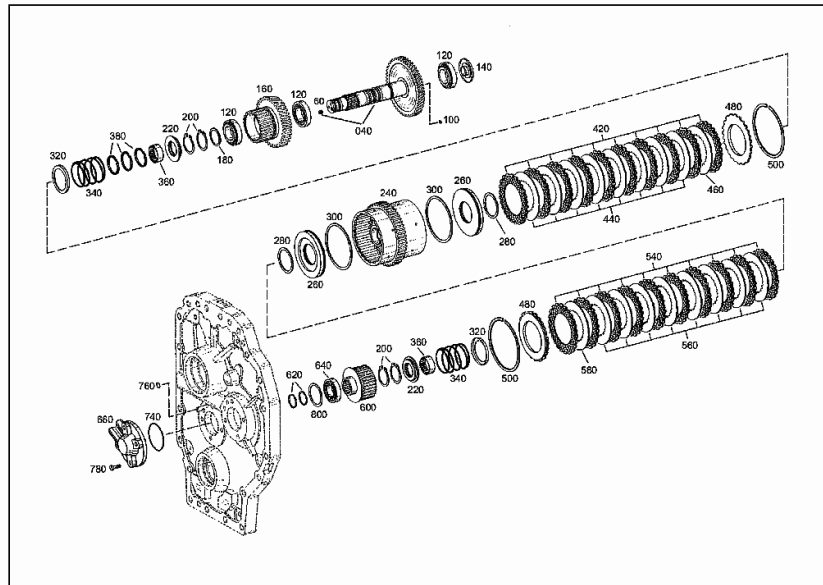
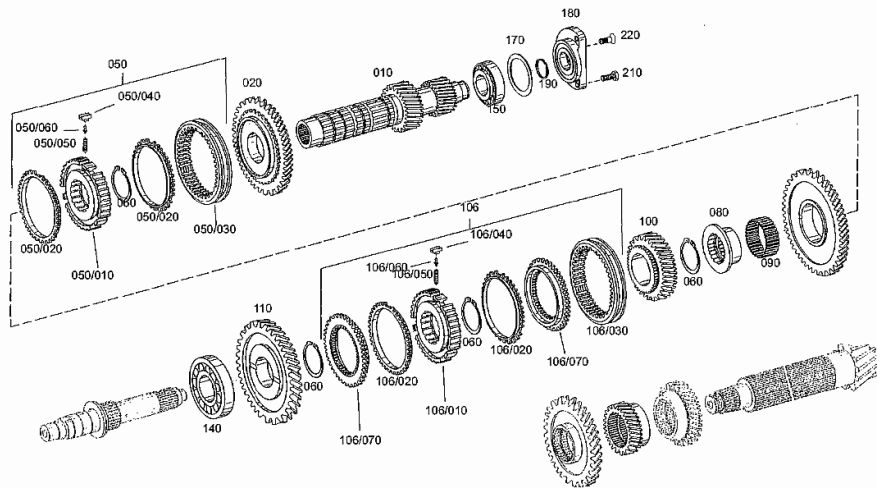


Fig.	Code	QTY	Name
800	0.010.2611.1	1	shim mm 1.74
800	0.010.2611.2	1	shim mm 1.76
800	0.010.2612.0	1	shim mm 1.78
800	0.010.2612.1	1	shim mm 1.82
800	0.010.2612.2	1	shim mm 1.84
800	0.010.2612.3	1	shim mm 1.86
800	0.010.2613.0	1	shim mm 1.88
800	0.010.2613.1	1	shim mm 1.92
800	0.010.2613.2	1	shim mm 1.94
800	0.010.2613.3	1	shim mm 1.96
800	0.010.2614.0	1	shim mm 1.98
800	0.010.2614.1	1	shim mm 2.02
800	0.010.2614.2	1	shim mm 2.04
800	0.010.2614.3	1	shim mm 2.06
800	0.010.2615.0	1	shim mm 2.08
800	0.010.2615.1	1	shim mm 1.05
800	0.010.2615.2	1	shim mm 1.10
800	0.010.2615.3	1	shim mm 1.15

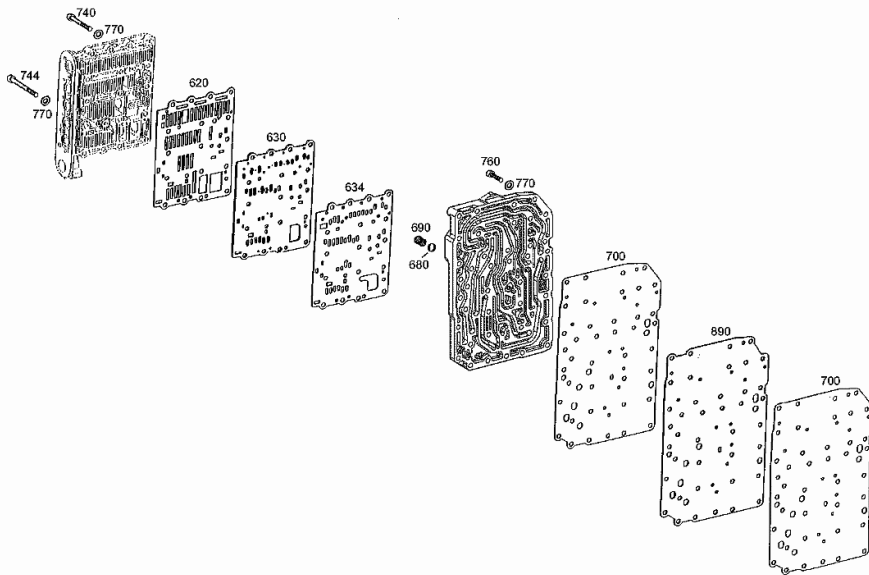
Section: D0 - TRANSMISSION
LAYSHAFT 2094.009.015

Fig.	Code	QTY	Name
10	0.010.3429.1	1	shaft Z = 18
20	04436338	1	gear z=47 TO GEARBOX SERIAL NUMBER ZF 500822
20	0.900.0990.4	1	gear FROM GEARBOX SERIAL NUMBER ZF 500823
50	04431798	1	lock synchronizer TO GEARBOX SERIAL NUMBER ZF 500822
50	0.900.1279.8	1	lock synchronizer FROM GEARBOX SERIAL NUMBER ZF 500823
50.10	0.010.3464.0	1	lock synchronizer TO GEARBOX SERIAL NUMBER ZF 500822
50.10	0.010.3777.2	1	lock synchronizer FROM GEARBOX SERIAL NUMBER ZF 500823
50.20	0.010.3460.1	2	ring TO GEARBOX SERIAL NUMBER ZF 500822
50.20	0.010.3776.1	2	ring FROM GEARBOX SERIAL NUMBER ZF 500823
50.30	0.010.3462.0	1	sleeve TO GEARBOX SERIAL NUMBER ZF 500822
50.30	0.900.1279.9	1	sleeve FROM GEARBOX SERIAL NUMBER ZF 500823
50.40	0.010.3423.0	3	ferrule TO GEARBOX SERIAL NUMBER ZF 500822
50.40	0.010.3777.0	3	pieces FROM GEARBOX SERIAL NUMBER ZF 500823
50.50	01296053	3	spring TO GEARBOX SERIAL NUMBER ZF 500822
50.50	0.010.3775.2	3	spring FROM GEARBOX SERIAL NUMBER ZF 500823
50.60	0.010.3423.1	3	pin



TRANSMISSION CONTROL UNIT 2094.009.015

Fig.	Code	QTY	Name
620	04416853	1	gasket
630	04434338	1	lamination
634	04416855	1	gasket
680	04416839	1	ball
690	04416942	1	spring
700	04427608	2	gasket
740	04416701	16	screw m 8 x 65
744	04416702	1	screw m 8 x 90
760	04416703	10	screw m 8 x 35
770	04416940	27	washer 8.4
890	04427609	1	plate



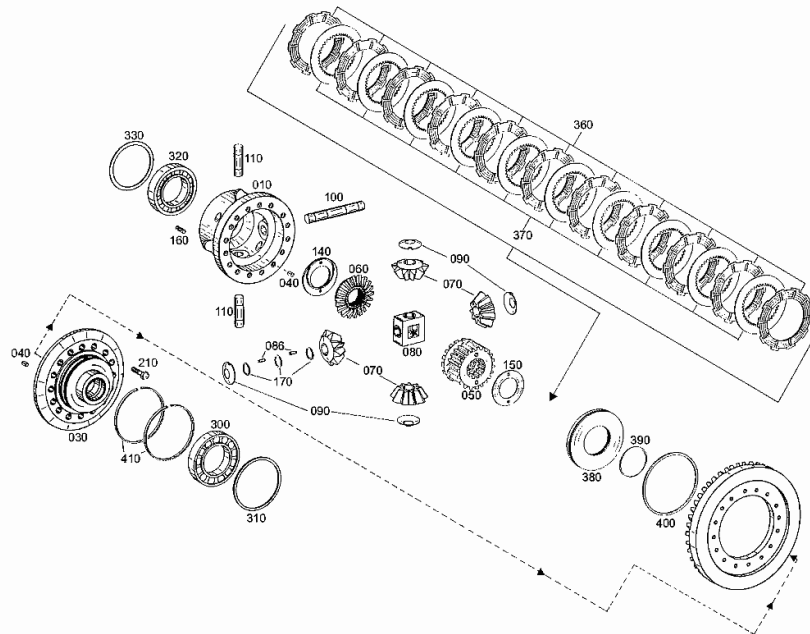
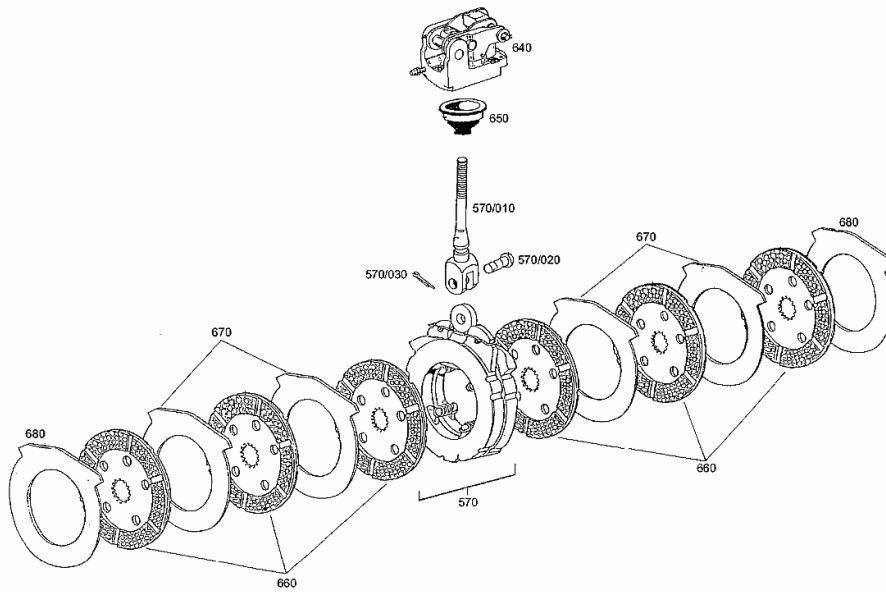
Section: D0 - TRANSMISSION
DIFFERENTIAL 2094.009.015

Fig.	Code	QTY	Name
10	04433222	1	differential carrier
30	0.010.3426.2	1	flange
40	01296040	4	pin
50	0.010.3796.0	1	crown wheel Z = 20
60	04433225	1	bearing Z = 20
70	04433226	4	bearing Z = 13, sx/lh/li
80	04433227	1	instrument holder
86	04433228	200	roller
90	04433229	4	shim
100	04433230	1	pin
110	04433231	2	pin
140	04327745	1	washer
150	04433235	1	shim mm 1.90
150	04433236	1	shim mm 2.00
150	04433237	1	shim mm 2.10
150	04433238	1	washer mm 2.20
150	04433239	1	shim mm 2.30
150	04433240	1	shim mm 2.40
150	04433241	1	shim mm 2.50
160	04433234	4	roll pin 6x20
170	04433232	12	shim
210	04433252	16	screw m 12 x 50
300	04433242	1	roller bearing
310	04433233	1	shim mm 2.90
310	01296569	1	shim mm 2.80
310	01300486	1	shim mm 2.70
310	01296570	1	shim mm 2.60
310	01299514	1	shim mm 2.50
310	01299513	1	shim mm 2.40
310	01299512	1	shim mm 2.30
310	02380504	1	shim mm 2.20
310	02380505	1	shim mm 2.10
310	02380506	1	shim mm 2.00
310	02380507	1	shim mm 1.90
310	02380508	1	shim mm 1.80
310	04439003	1	shim mm 2.15
310	04439004	1	shim mm 2.25
310	04439005	1	shim mm 2.35
310	04439006	1	shim mm 2.45
310	04439007	1	shim mm 2.55
310	04439008	1	shim mm 2.65
310	0.010.3377.2	1	shim mm 2.26
310	0.010.3378.0	1	shim mm 2.32
310	0.010.3378.1	1	shim mm 2.36

REAR BRAKES -> (...) 2094.009.015

Fig.	Code	QTY	Name
570	0.900.1163.1	2	actuator
570.10	04435738	1	lever
570.20	04435740	1	pin
570.30	0.900.0010.6	1	split pin
640	0.900.0800.5	2	operation
650	0.900.0800.9	2	rubber bushing
660	0.900.1163.2	12	brake disc
670	0.900.0946.6	8	thin plate
680	0.900.0801.3	4	dischette

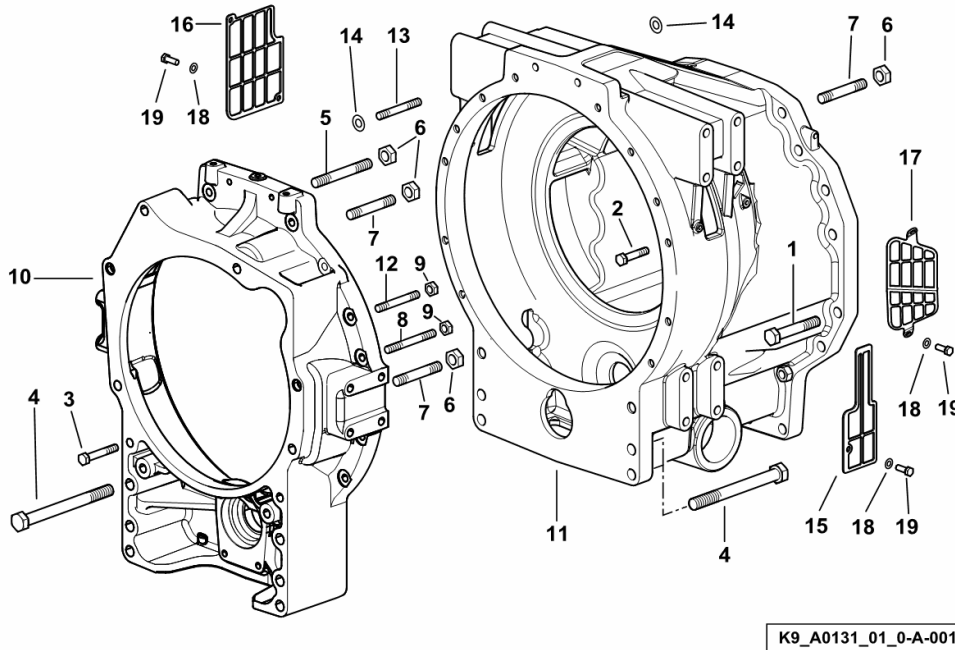


Section: D0 - TRANSMISSION
JUNCTION CASE

Fig.	Code	QTY	Name
------	------	-----	------

Notes:
 [DIAMOND 265]

1	01101922	18	screw m 16x85 (3367 <-)
1	2.0119.272.6	18	screw (-> 3368)
2	04428318	10	screw (3367 <-)
2	2.0119.270.6	10	screw (-> 3368)
3	04428319	4	screw (3367 <-)
3	2.0119.271.6	4	screw (-> 3367)
4	04428320	6	screw (3367 <-)
4	2.0119.273.6	6	screw (-> 3368)
5	01144689	1	screw m 16X140 (3365 <-)
5	2.0439.288.6	1	stud bolt m 16 p.2x140 (-> 3366)
6	2.1012.109.7	8	nut m 16
7	04428321	7	screw (3367 <-)
7	2.0439.286.6	7	stud bolt (-> 3368)
8	04428322	1	screw (3367 <-)
8	2.0439.287.6	1	stud bolt (-> 3368)
9	04428323	2	nut
10	04426015	1	plate
11	04427700	1	clutch housing
12	04434247	1	screw
13	04434248	4	screw (3222 <-)
13	04434248	3	screw (3223 - 3367)
13	2.0439.285.6	3	stud bolt (-> 3368)
14	01174738	4	flat washer 12.5x26x6
15	04436038	2	lamination
16	04436037	1	lamination
17	04436039	1	lamination
18	2.1310.004.2	6	flat washer 8.5
19	2.0114.205.2	6	screw m 8 p.1.25 x 16



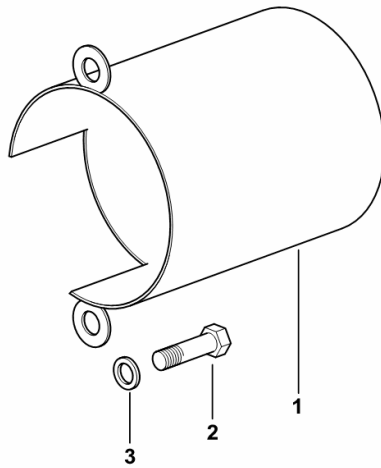
PTO GUARD

Fig.	Code	QTY	Name
------	------	-----	------

Notes:

- FOR TYPES WITH 2-SPEED P.T.O. [DIAMOND 265]

1	04452251/10	1	sump
2	01112295	2	screw m 8 x 10
3	2.1310.004.2	2	flat washer 8.5



K9_B2036_20_0-A-001

CLICK HERE TO **DOWNLOAD** THE COMPLETE MANUAL

- Thank you very much for reading the preview of the manual.
- You can download the complete manual from: www.heydownloads.com by clicking the link below



- Please note: If there is no response to CLICKING the link, please download this PDF first and then click on it.

CLICK HERE TO **DOWNLOAD** THE COMPLETE MANUAL