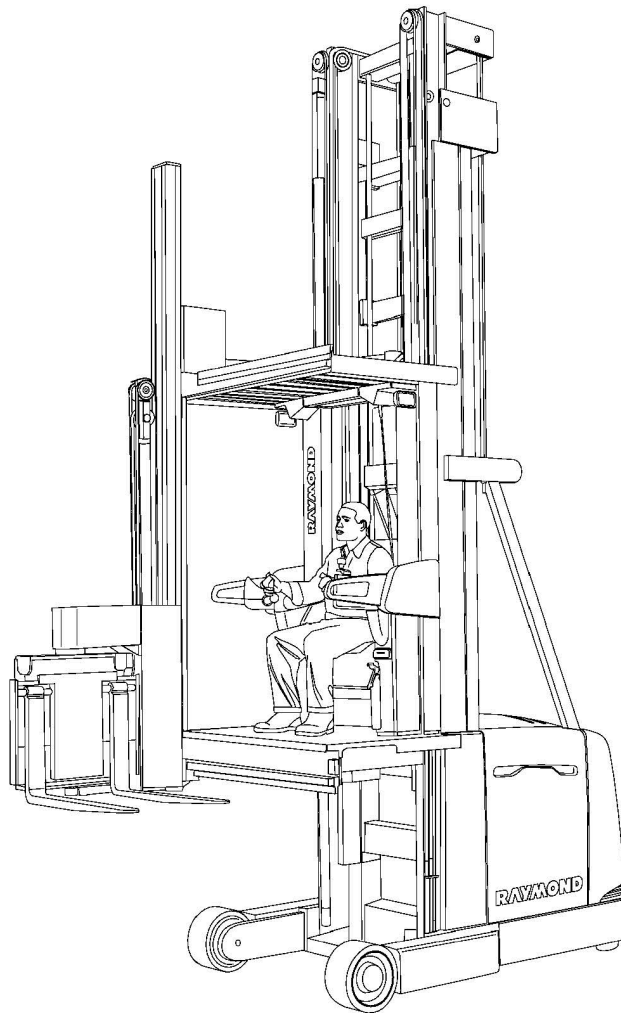


RAYMOND

EASi Swing-Reach[®]

Models SA and SB

Parts Catalog



PDPM-0167
S/N 00100 & Up
Issued 11/30/98

CLICK HERE TO **DOWNLOAD** THE COMPLETE MANUAL

- Thank you very much for reading the preview of the manual.
- You can download the complete manual from: www.heydownloads.com by clicking the link below



- Please note: If there is no response to CLICKING the link, please download this PDF first and then click on it.

CLICK HERE TO **DOWNLOAD** THE COMPLETE MANUAL

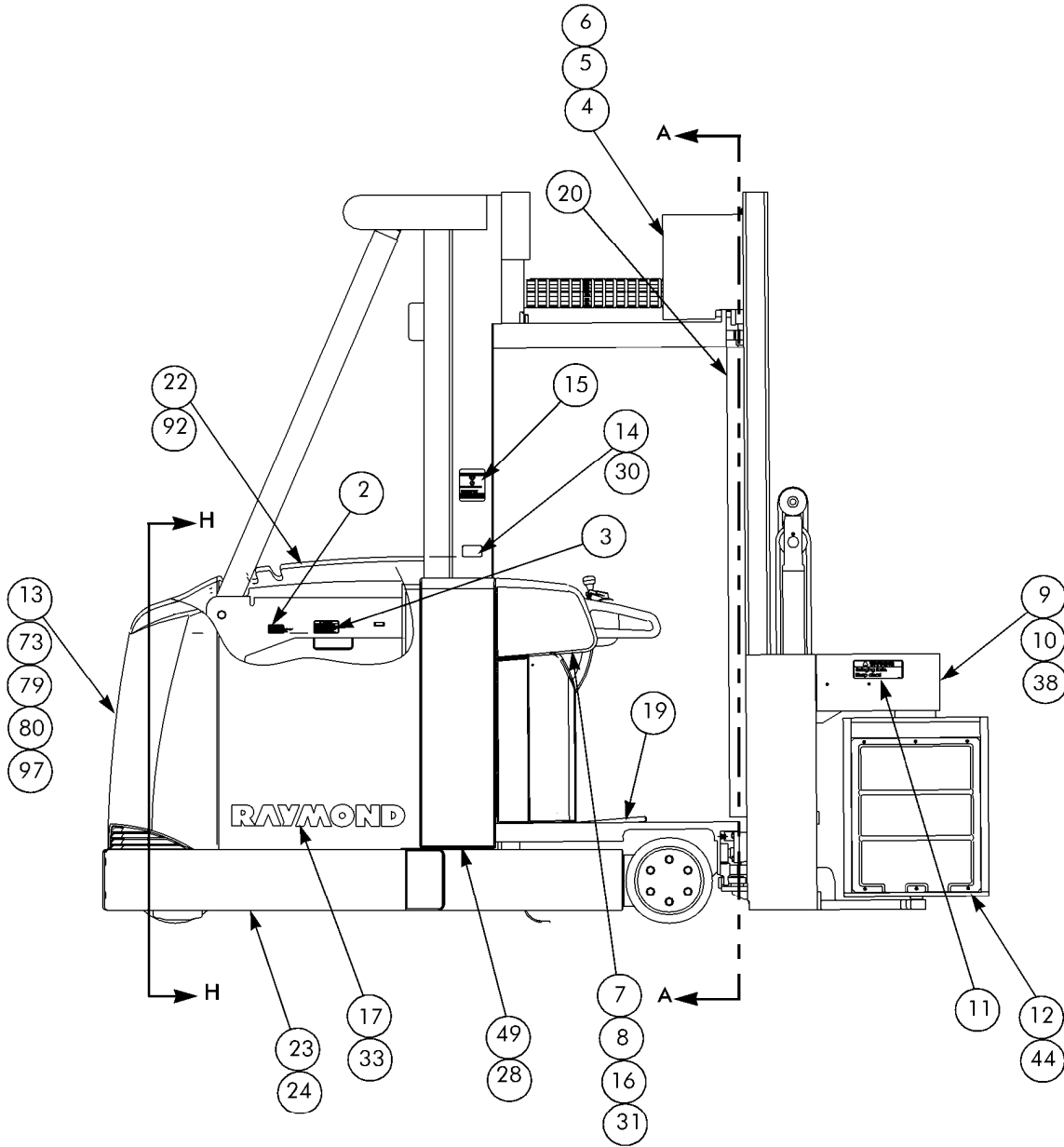
SECTION 1 General Information

Major Assemblies 1-3
Recommended Spare Parts List 1-5
Hardware Parts List 1-7
Bulk Items List 1-9

SECTION 2 Finish & Accessories

Frame and Accessories	2-3
Frame and Accessories	2-4
Frame and Mechanical Parts	2-6
Frame and Mechanical Parts	2-7
Frame and Mechanical Parts	2-8
Finishing Decals and Covers	2-11
Finishing Decals and Covers	2-12
Finishing Decals and Covers	2-13
Finishing Decals and Covers	2-14
Wheel, Load Assembly	2-18
Floor/Deadman Pads and Fire Extinguisher Cover	2-20
Plate, Tablet Assembly	2-22
Guard Installation	2-24
Guard Installation	2-26
Side Gate Installation	2-29
Side Gate Installation	2-30
Battery Roller and Side Gate Installation	2-32
Roller, Battery Assembly	2-34
Load Wheel Installation	2-36
Tether, Mechanical Installation	2-38
Seat Installation	2-41
Seat Installation	2-42
Seat Installation	2-43

Finishing Decals and Covers



S8025C SHT 1 OF 4

Figure 2-3: Finishing Decals and Covers

FIGURE 2-5 ITEM NO.	QTY	PART NUMBER	DESCRIPTION	USED ON
1	1	838-010-235/001	Cover, Standard., Without Extinguisher & SMARTi®	
		838-010-235/002	Cover, Fire Extinguisher Only	
		838-010-235/003	Cover, SMARTi Only	
		838-010-235/004	Cover, Fire Extinguisher & SMARTi	
2	1	838-010-436/	Pad, Center	A
3	1	838-010-435/	Pad, Right Hand	A
4	1	838-010-434/	Pad, Left Hand	A

A= Suffix

/001 = 48" Carriage Width

/002 = 50" Carriage Width

/003 = 52" Carriage Width

/004 = 54" Carriage Width

/005 = 56" Carriage Width

/006 = 58" Carriage Width

/007 = 60" Carriage Width

/008 = 62" Carriage Width

/009 = 64" Carriage Width

/010 = 66" Carriage Width

/011 = 68" Carriage Width

List 2-5: Floor/Deadman Pads and Fire Extinguisher Cover

FIGURE 2-9 ITEM NO.	QTY	PART NUMBER	DESCRIPTION	USED ON
1	2	360-049	Pad, Bumper	R
2	2	5-002-007	Screw	
3	2	5-001-009	Screw	
4	2	411-075	Bumper, Button	R
5	2	750-406	Nut	
6	1	838-010-455	Sidegate, Machined, Left Hand	
7	1	838-010-457	Sidegate, Machined, Right Hand	
8	4	462-126	Bearing, Flanged	R
9	2	838-010-432	Pivot, Sidegate	

R= Recommended Spare

List 2-9: Side Gate Installation

Seat Installation

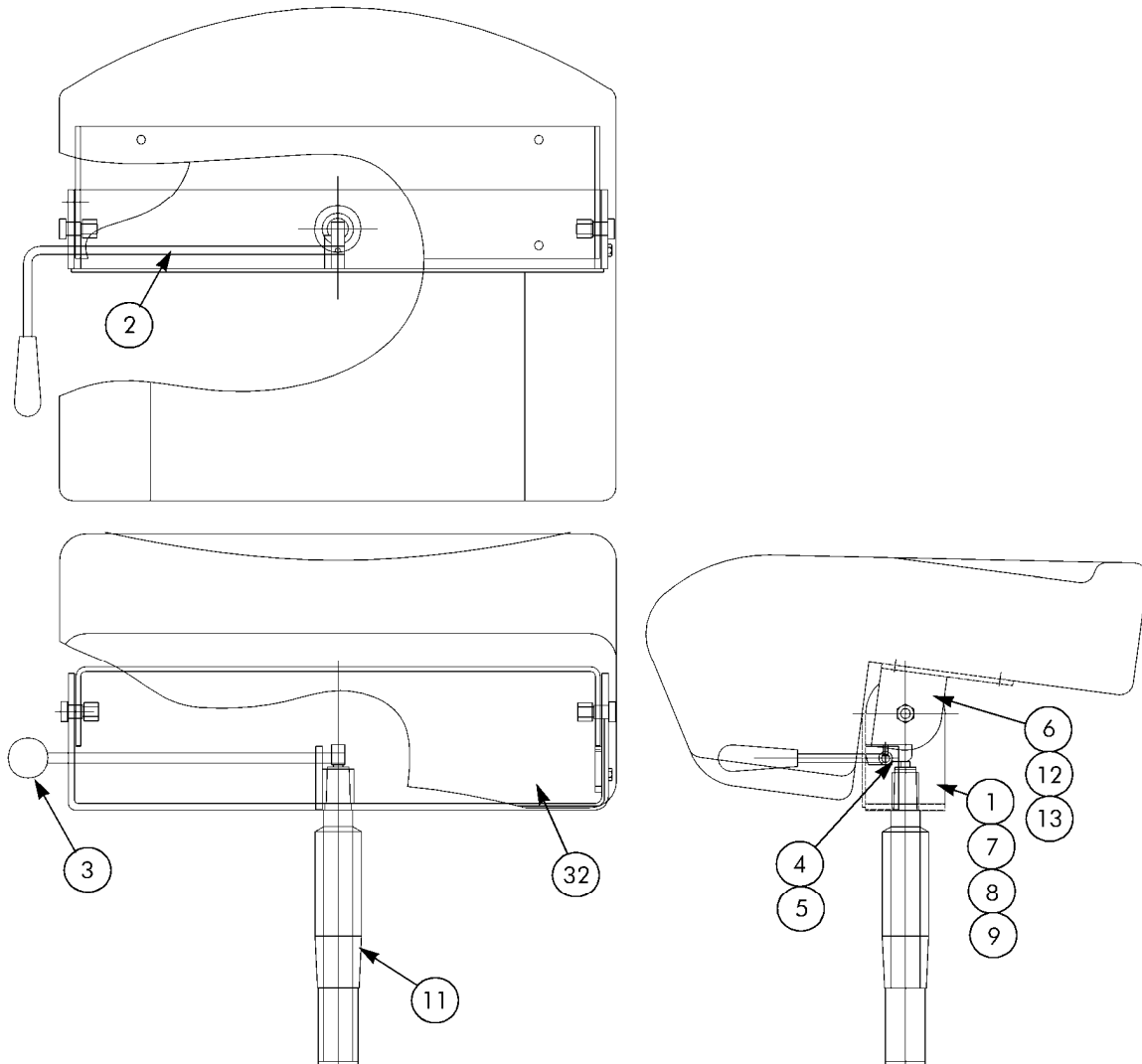


Figure 2-14: Seat Installation

S80225M SHT. 1 OF 3

FIGURE 3-2 ITEM NO.	QTY	PART NUMBER	DESCRIPTION	USED ON
		838-010-037/200	Gearbox and Motor Assembly. (Sumitomo)	
1	1	838-010-037/211	Motor Assembly	
2	1	838-010-037/212	Brush Set	R
3	1	838-010-037/213	End Head, Commutator (includes: Brushes)	
4			Gearbox (Not Serviced - See Note)	

R= Recommended Spare

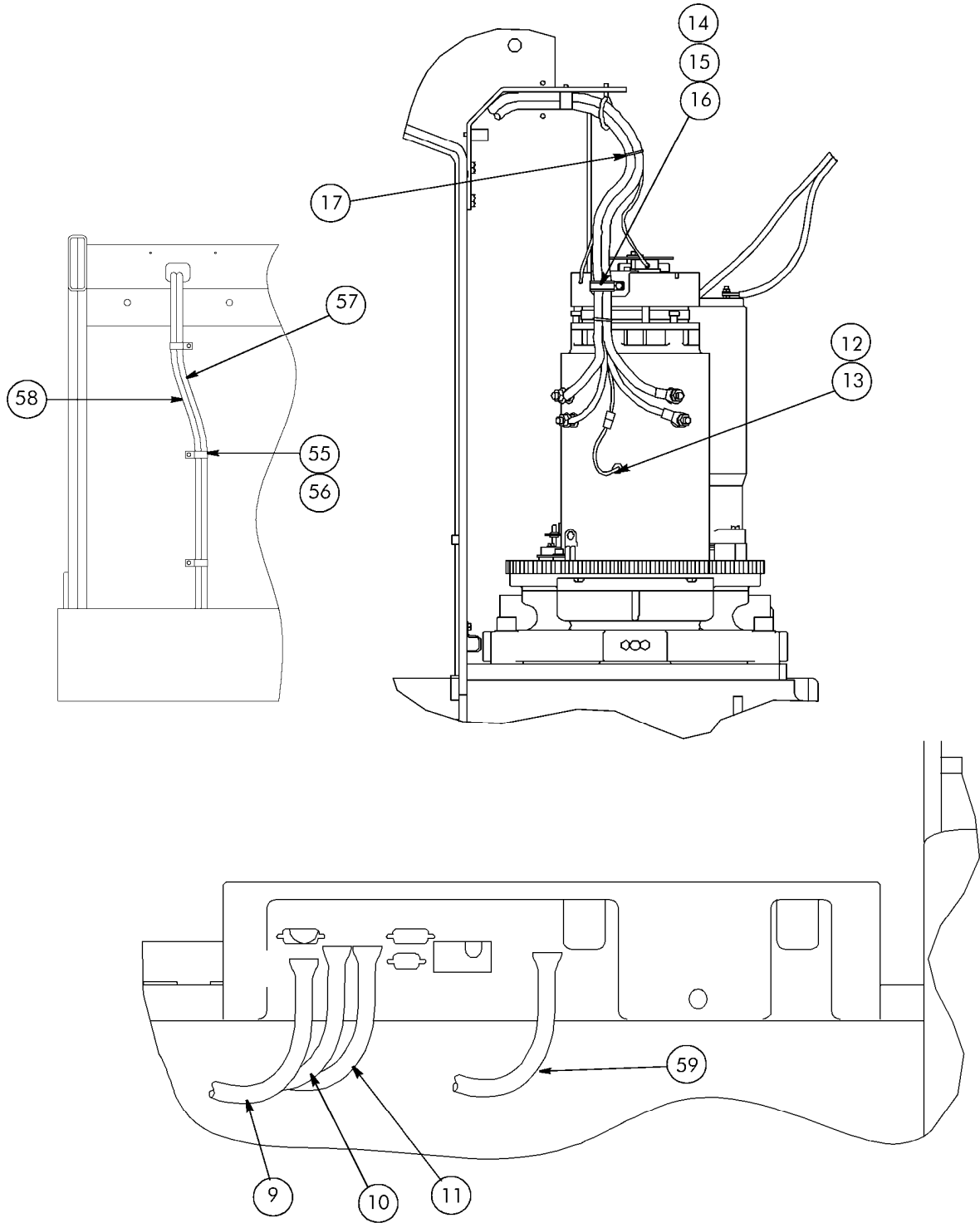
Note: Order 838-010-037/200 If gearbox Failed

List 3-2: Gearbox and Motor Assembly - Sumitomo

FIGURE 4-3 ITEM NO.	QTY	PART NUMBER	DESCRIPTION	USED ON
1	1	605-021/200	Brake Assembly (See Figure 4-4.)	
2	1	838-004-469	Bracket, Motor Cable	
3	2	5-002-001	Screw	
4	2	810-131	Ring, Snap	
5	8	411-079	Shim	
6	2	411-078	Shim	
7	2	411-077	Shim	
8	1	5-026-006	Key, Woodruff	

List 4-3: Brake Installation

Electrical Installation



S80200, S80100F,H SHT 2 OF 3

Figure 5-1: Electrical Installation

FIGURE 5-5 ITEM NO.	QTY	PART NUMBER	DESCRIPTION	USED ON
1	1	838-010-111	Plate, Mounting	
2	1	838-010-632	Contactor Assembly (See Figure 5-7.)	
3	2	5-028-030	Fastener	
4	8	5-015-005	Nut	
5	6	5-018-006	Washer	
6	1	838-010-186/001	Heat Sink, Traction (See Figure 5-6.)	
7	6	5-001-003	Screw	
8	6	5-018-005	Washer	
9	1	1-105-129/100	Contactor (See Figure 5-8.)	
10	4	5-028-028	Fastener	
11	2	5-015-004	Nut	
12	1	1-142-027	Choke	
13	2	5-028-024	Fastener	
14	2	5-015-002	Nut	
15	1	838-010-187	Buss Bar	
16	2	7-861-002/004	Insulator, Standoff	
17	4	5-019-006	Washer	
18	1	5-019-005	Lockwasher	
19	1	838-010-188	Controller, Auxiliary Motor (Not Shown)	R
20	4	5-011-001	Screw (Not Shown)	

R = Recommended Spare

List 5-5: Power Assembly

This Page Intentionally Left Blank

CLICK HERE TO **DOWNLOAD** THE COMPLETE MANUAL

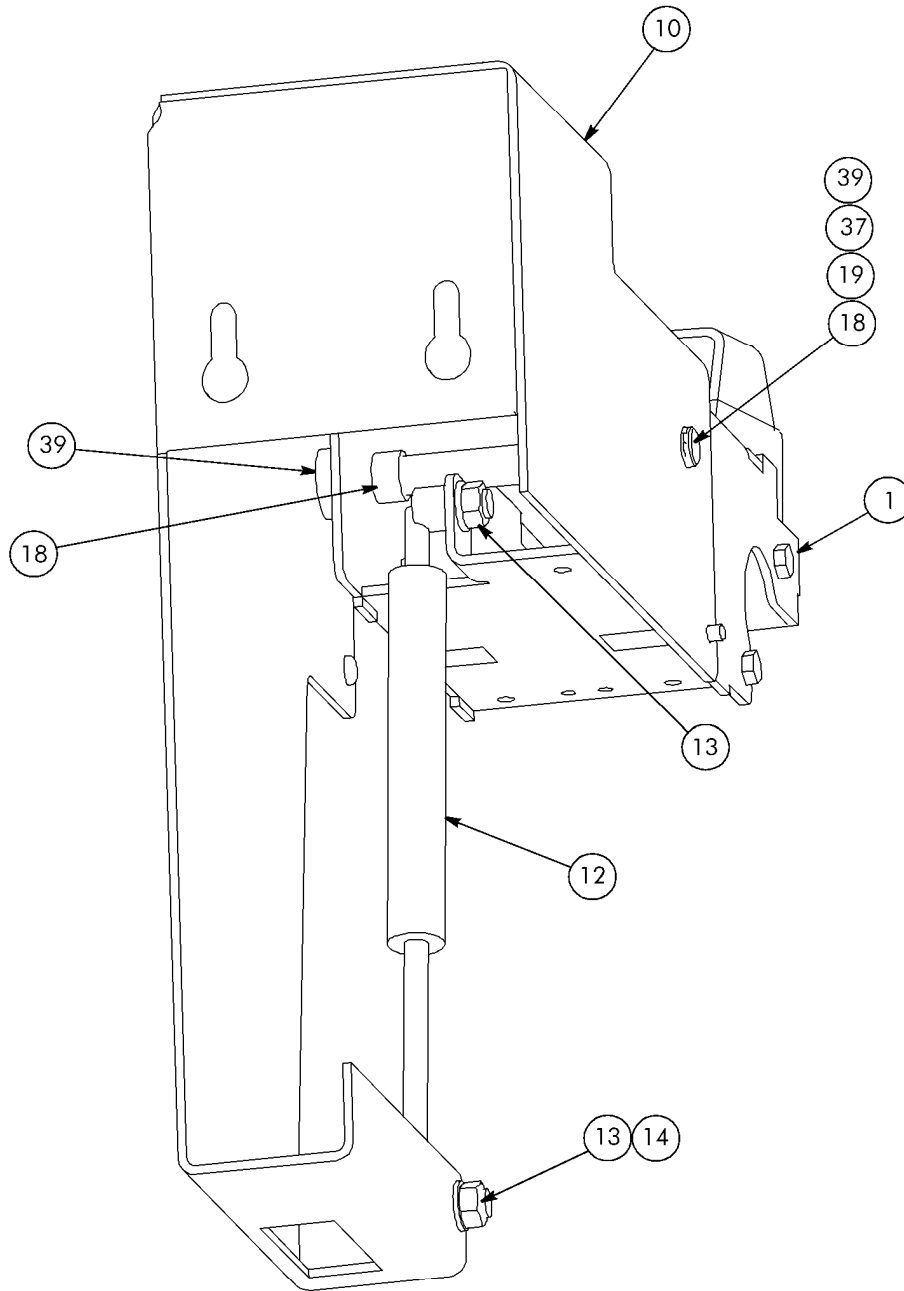
- Thank you very much for reading the preview of the manual.
- You can download the complete manual from: www.heydownloads.com by clicking the link below



- Please note: If there is no response to CLICKING the link, please download this PDF first and then click on it.

CLICK HERE TO **DOWNLOAD** THE COMPLETE MANUAL

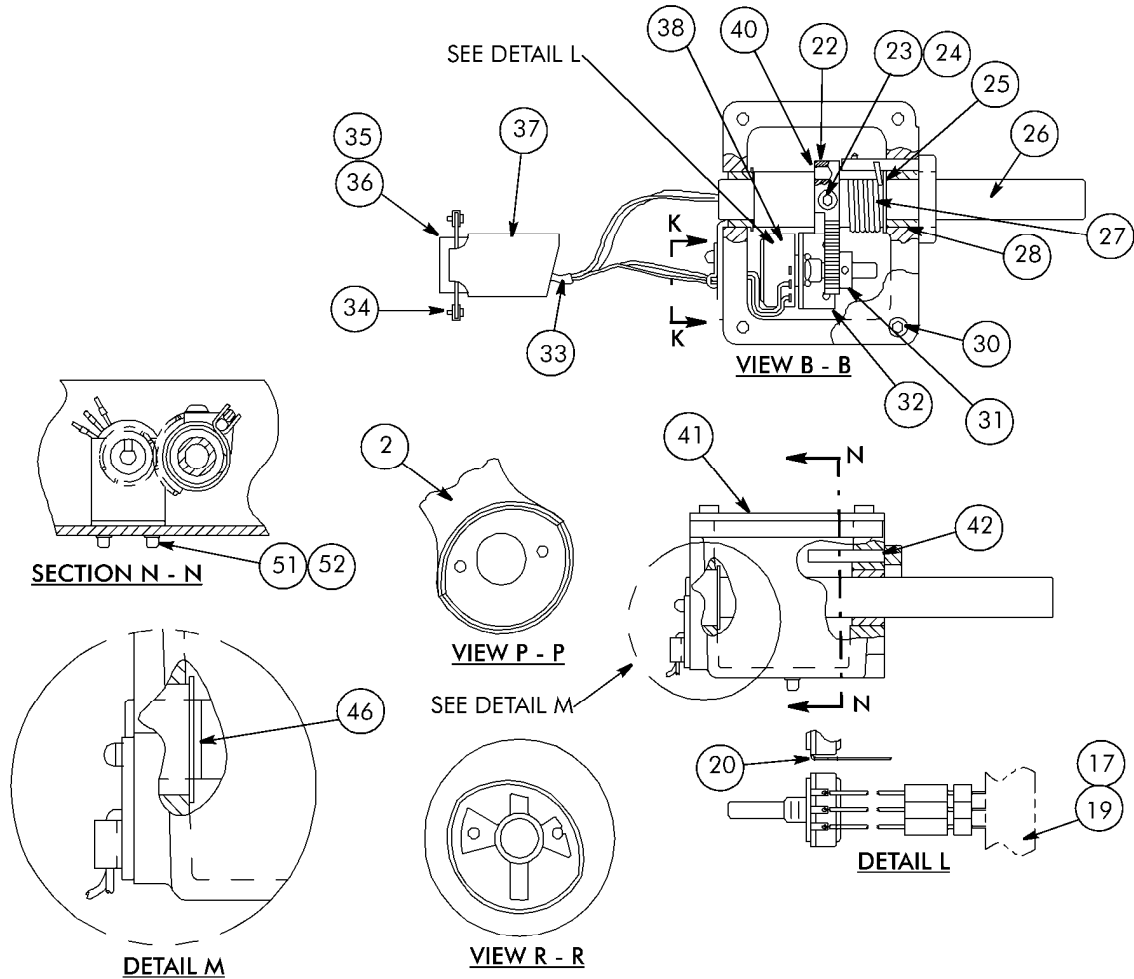
Handle, Control Assembly, Left Hand



S80315 SHT 2 OF 3

Figure 5-13: Handle, Control Assembly, Left Hand

Handle, Control Assembly, Left Hand



S87483 SHT 2 OF 3

Figure 5-15: Handle, Control Assembly, Left Hand

FIGURE 5-20 ITEM NO.	QTY	PART NUMBER	DESCRIPTION	USED ON
1	2	838-004-220/001	Light, Travel Assembly (See Figure 5-23.)	
2	1	838-007-151/001	Light, Florescent Assembly (See Figure 5-24.)	
3	4	600-984/011	Plug, Hole	
4	2	701-070	Screw	
5	4	710-012	Screw	
6	10	742-043	Screw	
7	4	760-006	Locknut	
8	8	771-016	Washer	
9	1	1-030-266/002	Block, Terminal	
10	4	1-150-343/001	Switch, Rocker	R
11	3	1-150-349	Switch, Dummy	
12	2	838-004-584	Cover, Fan	
13	1	838-004-606	Cable Assembly (Light & Fan)	
14	1	838-004-710/001	Cover & Fan Assembly, Right Hand (See Figure 5-25.)	
15	2	838-004-711/001	Cover & Light, Bin Assembly (See Figure 5-26.)	
16	2	838-004-712	Bracket, Light, Bin	
17	1	838-004-710/002	Cover & Fan Assembly, Left Hand (See Figure 5-25.)	
18	1	838-004-807	Harness, Light, Right Hand	
19	1	838-004-808	Harness, Light, Left Hand	
20	1	838-007-167/002	Cover, Light	
21	4	5-015-004	Nut	
22	4	5-015-005	Washer	
24	1	838-007-167/001	Cover, Light	
25	2	600-213	Grommet	
26	8	5-015-004	Nut	
27	8	5-018-005	Washer	
28	4	5-018-005	Washer	
29	4	5-016-004	Locknut	

R= Recommended Spare

List 5-20: Light and Fan Installation

FIGURE 5-25 ITEM NO.	QTY	PART NUMBER	DESCRIPTION	USED ON
1	4	702-070	Screw	
2	2	774-107	Washer	
3	7	750-001	Nut	
4	1	811-302	Clamp	
5	1	701-321	Screw	
6	3	701-320	Screw	
7	1	838-004-583	Housing, Fan	
8	1'	811-861/016	Latch, Flexible	
9	1'	811-861/006	Latch, Flexible	
10	1	154-010-423	Module, Suppressor Assembly	R
11	1	590-916/002	Blower, Electric	
12	1	590-917	Fan Guard	
13	1	838-004-693	Harness, Light & Fan	A
14	1	838-004-694	Harness, Light & Fan	B

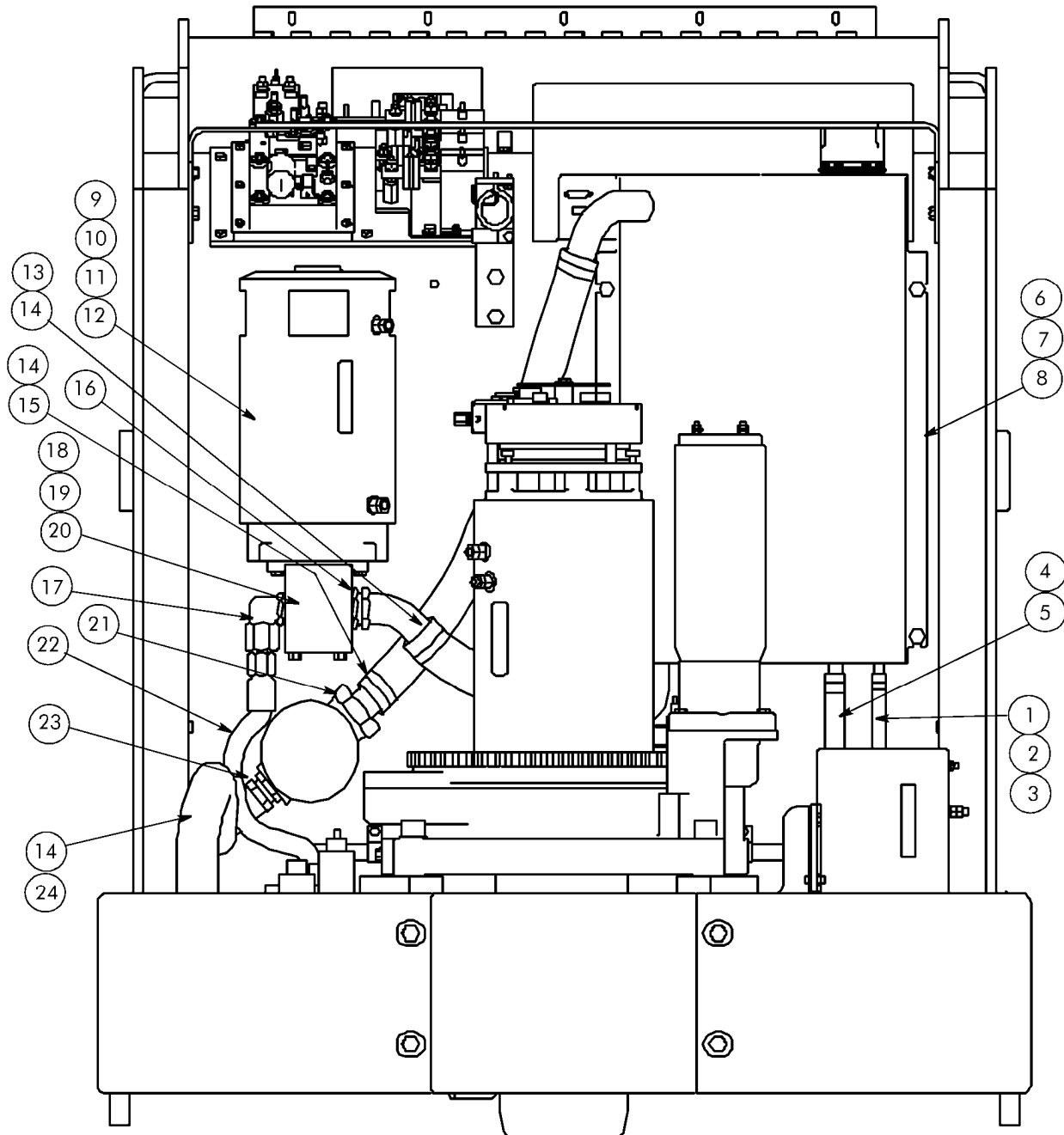
A= Right

B= Left

R= Recommended Spare

List 5-25: Cover and Fan Assembly

Hydraulic Installation



S80100 SHT 1 OF 4

Figure 6-1: Hydraulic Installation

FIGURE 6-4 ITEM NO.	QTY	PART NUMBER	DESCRIPTION	USED ON
		521-801/100	Manifold, Lift Lower Select	
1	1	521-801/100	Manifold, Lift Lower Select	
2	1	521-801/104	Valve, Proportional (With Coil)	R
	1	521-801/105	Valve, Proportional (Without Coil)	
3	2	521-801/112	Valve, Solenoid (With Coil)	R
	2	521-801/106	Valve, Solenoid (Without Coil)	
4	1	521-801/107	Valve, 3 Way Directional With Coil)	R
	2	521-801/108	Valve, 3 Way Directional (Without Coil)	
5	1	521-801/109	Valve, Needle	R
6	1	521-801/110	Valve, Relief	R
7	1	521-801/103	Valve, Check	R
8	1	521-801/111	Seal Kit (Not Shown)	R
9	1	838-007-441/001	Transducer, Pressure (Main Lift)	R
10	1	838-007-441/002	Transducer, Pressure (Mini Lift)	R

R= Recommended Spare

List 6-4: Lift/Lower Select Manifold

Hydraulic Motor (Traverse)

FIGURE 6-9 ITEM NO.	QTY	PART NUMBER	DESCRIPTION	USED ON
		550-019/002	Hydraulic Motor (Traverse)	
8	1	550-021/01	Kit, Seal	R
9	1	550-019/211	Kit, Seal	R
11	1	550-019/212	Bearing, Thrust	
12	1	550-019/213	Link, Drive	
13	1	550-019/214	Plate, Wear	
14	1	550-019/215	Rotor Assembly	
15	1	550-019/216	Link, Drive Pin	
16	1	550-019/217	End Cover & Ball Kit	
19	4	550-019/218	Bolt	
20	1	550-019/219	Housing/Shaft Kit	

R= Recommended Spare

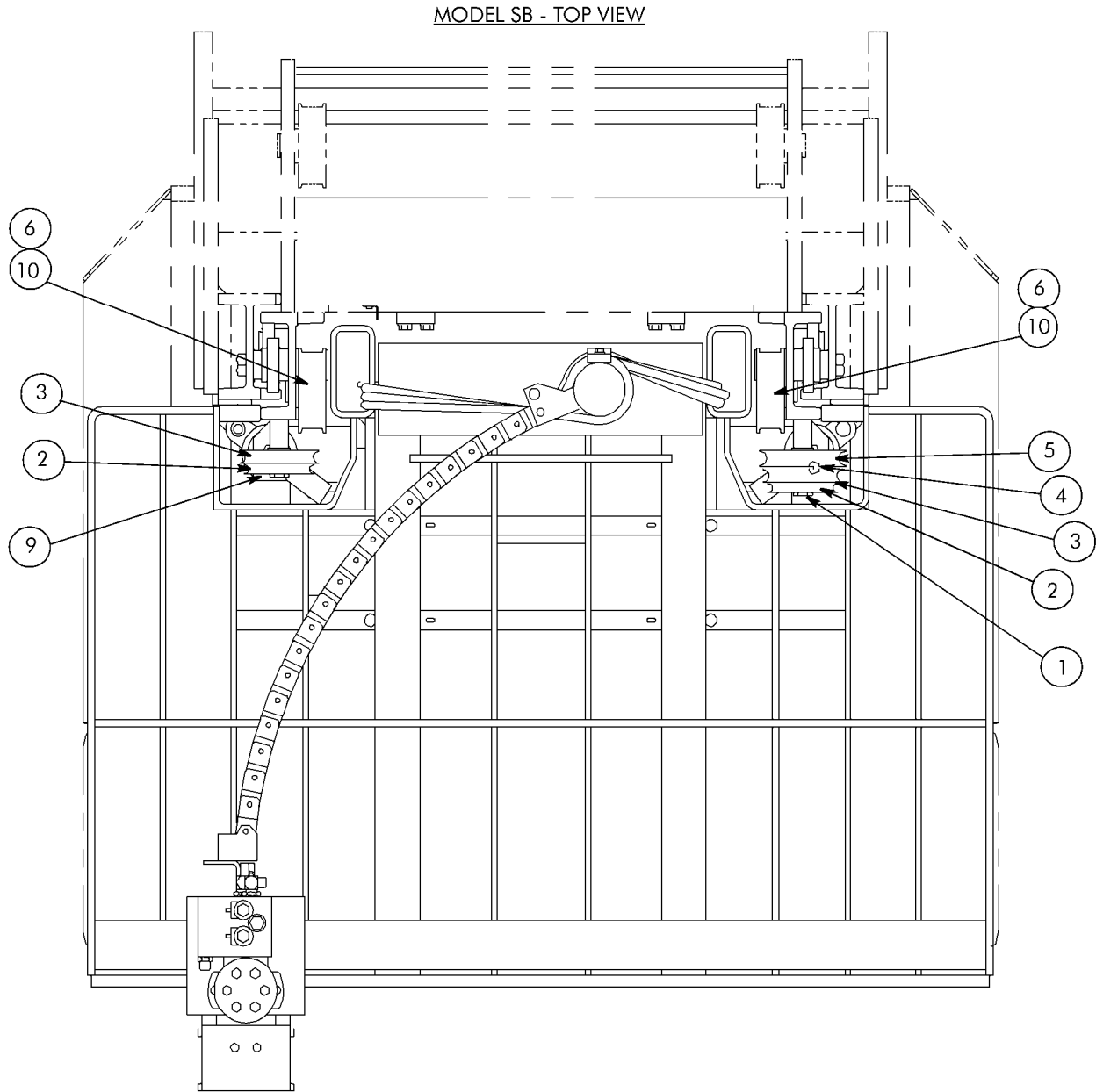
List 6-9: Hydraulic Motor (Traverse)

FIGURE 6-14 ITEM NO.	QTY	PART NUMBER	DESCRIPTION	USED ON
		540-063/	Reach Ram Assembly	
1	1	540-060/111	Piston	
2	1	540-063/111	Rod	
3	1	540-060/115	Stop Tube-5" Reach	
3	1	540-060/211	Stop Tube-6" Reach	
3	1	540-060/311	Stop Tube-7" Reach	
3	1	540-060/411	Stop Tube-8" Reach	
3	1	540-060/511	Stop Tube-9" Reach	
3	1	540-060/560	Stop Tube-4" Reach	
3	1	540-060/611	Stop Tube-5.66" Reach	
3	1	540-060/711	Stop Tube-6.65" Reach	
3	1	540-060/811	Stop Tube-7.63" Reach	
3	1	540-060/911	Stop Tube-8.61" Reach	
3	1	540-060/116	Stop Tube-4.68" Reach	
4	1	540-037/327	Nut	
5	1	540-060/112	Clevis/Tube Assembly	
6	1	540-060/113	Gland	
7	1	540-047/315	Ring, Locking	
8	1	540-060/114	Kit, Service Packing (Not shown) (includes:)	R
8A	1		Seal, Piston	
8B	1		Seal, Rod	
8C	1		O-Ring	
8D	1		Ring, Backup	
8E	1		Seal, Rod	
8F	1		Wiper, Rod	
8G	1		Ring, Snap	
8H	1		Bearing	

R= Recommended Spare

List 6-14: Reach Ram Assembly

Elevating Section, Pulleys and Covers



S800200 SHT 2 OF 3

Figure 7-2: Elevating Section, Pulleys and Covers

This Page Intentionally Blank

FIGURE 7-4 ITEM NO.	QTY	PART NUMBER	DESCRIPTION	USED ON
152	4	771-513	Washer, Thrust	
153	2	838-004-978/001	Spacer	
154	2	838-004-978/002	Spacer	
155	4	5-002-003	Screw	
156	2	772-116	Lockwasher	
157	2	710-006	Screw	
162	1	838-007-095	Screw, Orifice	
164	4	5-018-007	Flat Washer	
165	1	838-007-555	Guard, Pulley	
166	1	838-007-323/001	Shim	
167	1	838-007-323/002	Shim	
168	2	5-004-019	Screw	
169	1	838-007-420	Plate, Guard	
170	2	5-001-016	Screw	
171	1	838-011-010	Housing, Switch	
172	1	838-011-012	Bracket, Proximity Sensor	
173	1	838-010-261	Switch, Sensor Assembly (See Figure 5-19.)	R
174	1	838-010-415	Carriage, Turret Weldment	D
175	2	041-704-018/062	Hose, Assembly	D
176	1	041-804-042/062	Hose, Assembly	D

A= 84" Auxiliary Lift

B= 107" Auxiliary Lift

C= 114" Auxiliary Lift

D= 32" M dimension

E= Standard M dimension

R= Recommended Spare

List 7-4: Mast, Auxiliary Assembly

FIGURE 7-6 ITEM NO.	QTY	PART NUMBER	DESCRIPTION	USED ON
	1	838-010-273/009	Cable Assembly (Over Mast -A)	I
	1	838-010-273/010	Cable Assembly (Over Mast -A)	J
	1	838-010-273/011	Cable Assembly (Over Mast -A)	K
	1	838-010-273/012	Cable Assembly (Over Mast -A)	L
	1	838-010-273/013	Cable Assembly (Over Mast -A)	M
	1	838-010-273/014	Cable Assembly (Over Mast -A)	N
	1	838-010-273/015	Cable Assembly (Over Mast -A)	O
10	283	681-042	Chain, Leaf	H
	295	681-042	Chain, Leaf	L
	305	681-042	Chain, Leaf	I
	319	681-042	Chain, Leaf	M
	343	681-042	Chain, Leaf	N
	353	681-042	Chain, Leaf	J
	367	681-042	Chain, Leaf	O
	377	681-042	Chain, Leaf	K
11	4	681-872	Link, Connecting	
12	2	838-010-183/003	Anchor, Chain	
13	2	838-010-183/002	Anchor, Chain	
14	4	810-918	Pin, Cotter	

A= Model SA (118" OACH)

B= Model SA (130" OACH)

C= Model SA (142" OACH)

D= Model SA (154" OACH)

E= Model SA (166" OACH)

F= Model SA (178" OACH)

G= Model SA (190" OACH)

H= Model SB (208" OACH)

I= Model SB (219" OACH)

J= Model SB (243" OACH)

K= Model SB (255" OACH)

L= Model SB (214" OACH)

M= Model SB (226" OACH)

N= Model SB (238" OACH)

O= Model SB (250" OACH)

Items 1 through 4 are Model SA only

Items 10 through 13 are Model SB only

List 7-6: Elevating Hoses, Chains & Cables

EASi Swing-Reach® Models SA and SB - Alphabetical Parts List

Description	Part No.	Page	Description	Part No.	Page
Shaft Assembly	838-007-530	5-35	Spacer	838-004-978/002	7-29
Shaft, Seat Release	838-007-540	2-44	Spacer	838-006-034	7-17
Shaft, Control Arm	838-010-373	5-29	Spacer	838-007-117	7-31
Shaft, Control Arm	838-010-373	5-35	Spacer	838-007-193	7-31
Shaft, Control Handle	838-004-428	5-39	Spacer	838-010-198	3-5
Shaft, Control Handle	838-004-428	5-45	Spacer	838-010-481	5-7
Shaft, Encoder	114-008-853	3-5	Spring Set	570-446/513	5-69
Shaft, Pivot	821-000-841	4-13	Spring Set	570-446/516	5-69
Shaft, Pulley	838-004-302	7-26	Spring Set	570-446/516	5-69
Shaft, Roller	838-010-030	2-34	Spring Set	570-446/516	5-69
Shaft, Roller	838-010-220	2-34	Spring Set	570-446/516	5-69
Shaft, Traverse Weldment	838-004-335	7-27	Spring, Compression	605-021/204	4-11
Shaft	838-004-373	7-31	Spring, Gas Cylinder	543-001	2-44
Shaft	838-004-616	7-27	Spring, Gas	543-000/002	5-29
Shaft	838-010-763	2-44	Spring, Gas	543-000/002	5-35
Shaft	872-009/003	3-5	Spring, Main	1-105-122/03	5-18
Shim	402-126	5-39	Spring, Tension	830-002	6-8
Shim	402-126	5-45	Spring, Torsion	830-334	5-39
Shim	411-078	4-9	Spring, Torsion	830-334	5-45
Shim	411-079	4-9	Spring, Torsion	830-344	5-39
Shim	411-079	4-9	Spring, Torsion	830-344	5-45
Shim	812-000-264	7-17	Spring, Valve Release	830-115	4-13
Shim	812-000-265	7-17	Spring	830-151	6-29
Shim	838-007-323/001	7-29	Stop Tube-4" Reach	540-060/560	6-33
Shim	838-007-323/002	7-29	Stop Tube-4.68" Reach	540-060/116	6-33
Shrink, Heat	611-024	5-9	Stop Tube-5" Reach	540-060/115	6-33
Sidegate, Machined, Left Hand	838-010-455	2-31	Stop Tube-5.66" Reach	540-060/611	6-33
Sidegate, Machined, Right Hand	838-010-457	2-31	Stop Tube-6" Reach	540-060/211	6-33
Sleeve, Bearing	154-005-011	5-15	Stop Tube-6.65" Reach	540-060/711	6-33
Sleeve, Bearing	460-112	7-28	Stop Tube-7" Reach	540-060/311	6-33
Sleeve, Bearing	460-121	5-39	Stop Tube-7.63" Reach	540-060/811	6-33
Sleeve, Bearing	460-121	5-45	Stop Tube-8" Reach	540-060/411	6-33
Sleeve, Bearing	462-029	3-5	Stop Tube-8.61" Reach	540-060/911	6-33
Sleeve, Bearing	462-029	3-5	Stop Tube-9" Reach	540-060/511	6-33
Sleeve, Bearing	462-116	5-39	Stop	838-004-223	7-11
Sleeve, Bearing	462-116	5-45	Stop	838-010-311	7-5
Sleeve	812-003-067/001	7-18	Strap, Static, Wire Assembly	838-007-257	2-16
Socket, Lamp	591-600	5-61	Strap	611-028	5-11
Spacer, Battery Weldment	838-010-222	2-33	Strap	611-028	5-5
Spacer, Control Arm Pivot	838-010-372	5-29	Strap	611-028	5-9
Spacer, Control Arm Pivot	838-010-372	5-35	Strap	611-028	6-8
Spacer, Female Hex	7-766-001/001	2-17	Strap	611-028	6-8
Spacer, Manifold	838-004-417	7-27	Strap	611-028	7-28
Spacer, Pipe	838-010-029	2-34	Strap	611-029	5-48
Spacer, Pipe	838-010-219	2-34	Stud, Eccentric, Lat. Roller	838-010-064	7-5
Spacer, Shaft	838-007-085	7-17	Stud, Flanged	838-010-574	2-16
Spacer	154-005-132	2-15	Stud, Mast Roller	838-010-063	7-5
Spacer	154-011-031	5-39	Stud, Roller Weldment	838-004-311	7-26
Spacer	154-011-031	5-45	Stud, Sheave, Chain	838-010-099	7-5
Spacer	605-007/218	4-11	Stud	838-010-106	6-7
Spacer	7-766-001/002	5-25	Support, Weldment Rotate	838-004-921	7-26
Spacer	824-000-465/002	6-8	Switch Assembly	838-010-479	5-29
Spacer	838-000-586/002	7-17	Switch, Dummy	1-150-349	5-45
Spacer	838-004-369/001	7-17	Switch, Dummy	1-150-349	5-53
Spacer	838-004-369/002	7-17	Switch, Multihead Proximity	1-185-011/001	5-50
Spacer	838-004-371	7-27	Switch, Operator	1-150-313/057	5-29
Spacer	838-004-618	7-27	Switch, Proximity, Multihead	1-185-010/002	3-5
Spacer	838-004-805	2-9	Switch, Proximity	1-150-351	5-49
Spacer	838-004-964/002	7-11	Switch, Push Button	7-590-006/001	5-39
Spacer	838-004-965	7-11	Switch, Push Button	7-590-006/001	5-45
Spacer	838-004-978/001	7-29	Switch, Rocker	1-150-343/001	5-29

CLICK HERE TO **DOWNLOAD** THE COMPLETE MANUAL

- Thank you very much for reading the preview of the manual.
- You can download the complete manual from: www.heydownloads.com by clicking the link below



- Please note: If there is no response to CLICKING the link, please download this PDF first and then click on it.

CLICK HERE TO **DOWNLOAD** THE COMPLETE MANUAL