

**HIGH EFFICIENCY
MAST # 5
R40TN W/ & W/O
POWER TILT
PARTS CATALOG**

**S/N-020-29000 & UP
021-4000 & UP
031-13050 & UP**

**DATED JAN 15, 1991
GOES WITH PUBLICATION---PDMM-0005**

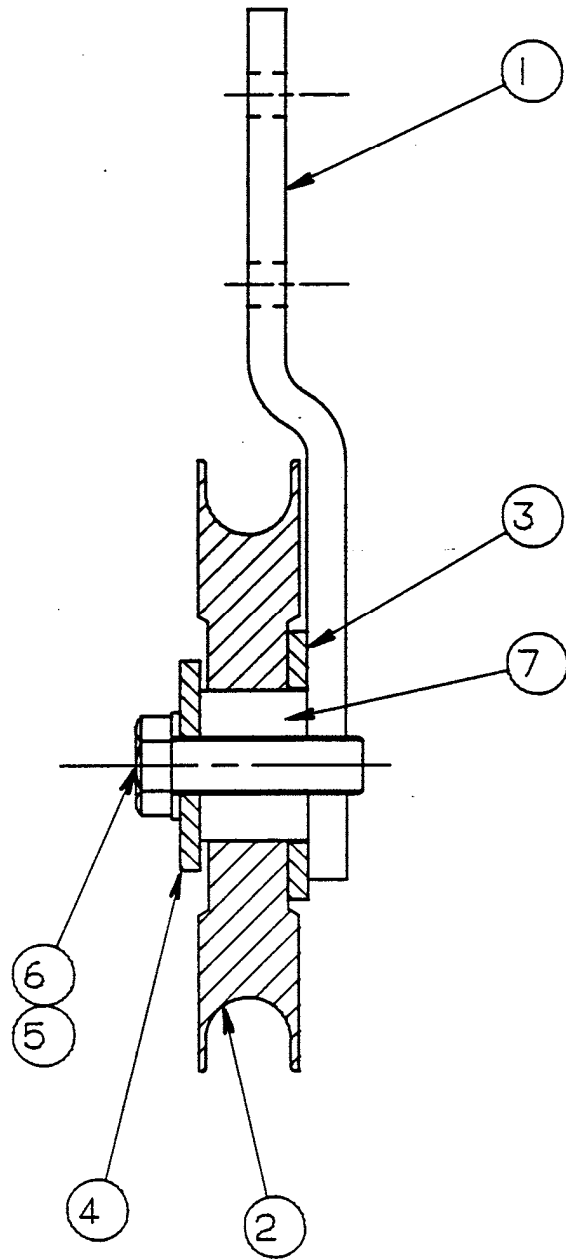
CLICK HERE TO **DOWNLOAD** THE COMPLETE MANUAL

- Thank you very much for reading the preview of the manual.
- You can download the complete manual from: www.heydownloads.com by clicking the link below

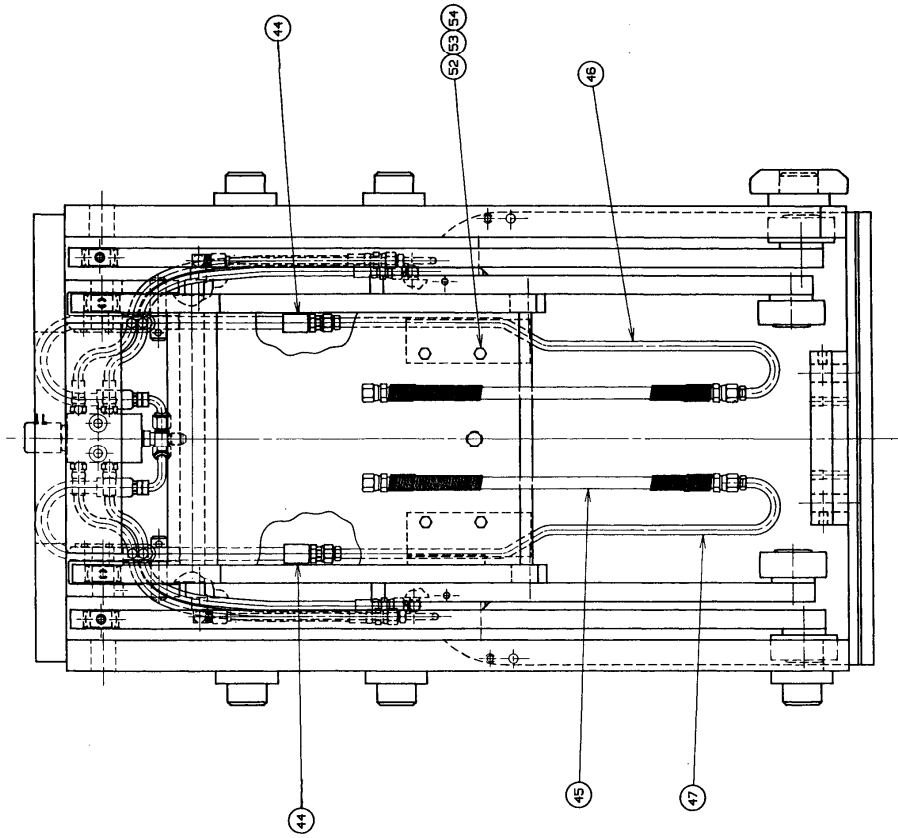


- Please note: If there is no response to CLICKING the link, please download this PDF first and then click on it.

CLICK HERE TO **DOWNLOAD** THE COMPLETE MANUAL



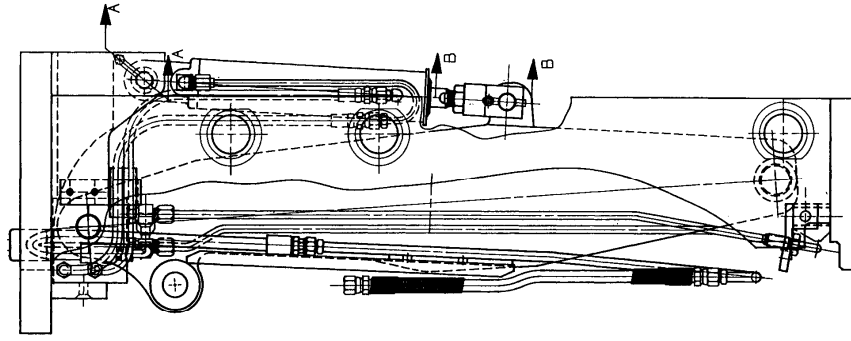
PULLEY BRACKET ASSEMBLY
Figure 828-000-797 (B)



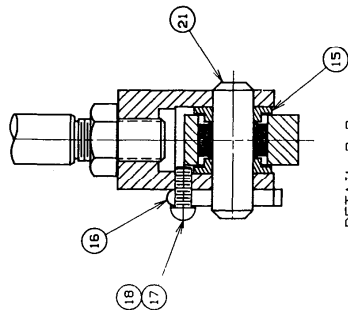
FRONT VIEW 2 & 3 FUNCTION

PART NO. : /001 & /002

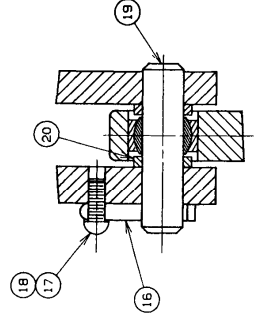
Model 20 - S/N _____ and Up
Model 21 - S/N _____ and Up
Model 31 - S/N _____ and Up
Sheet 3 of 4



SIDE VIEW 2 & 3 FUNCTION

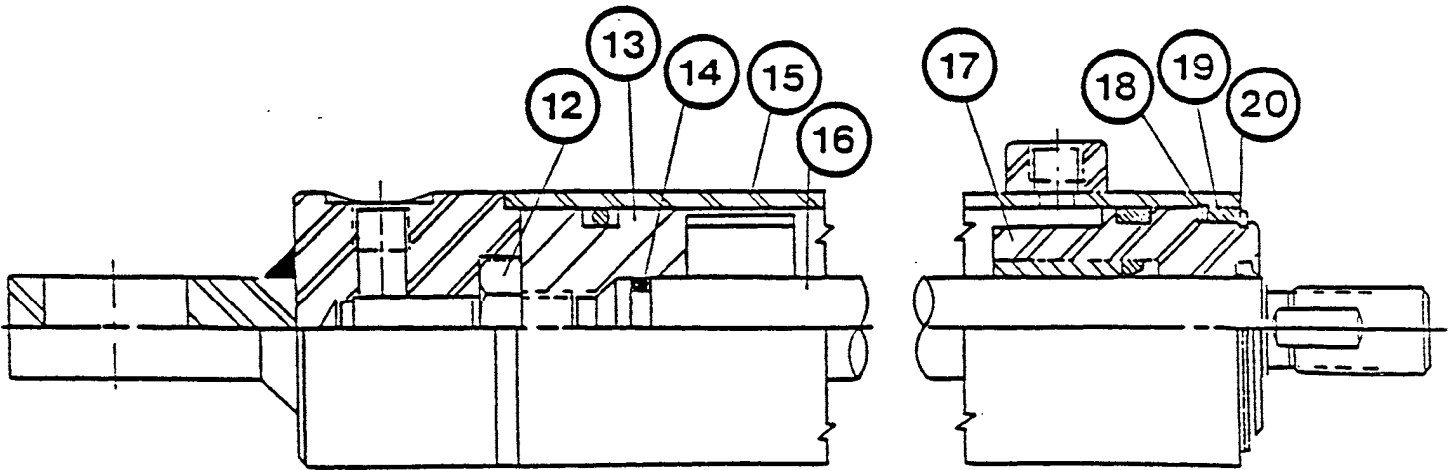
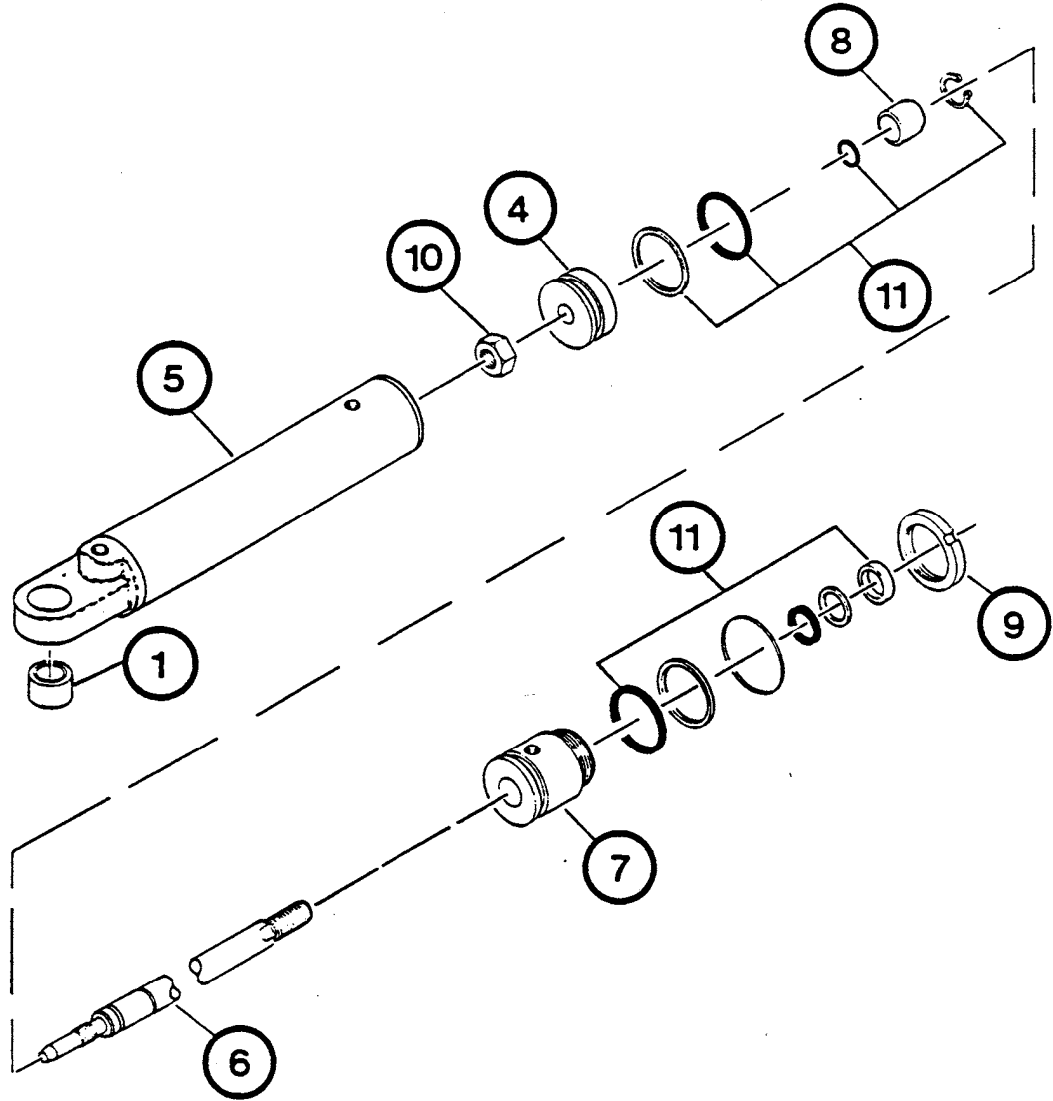


DETAIL B-B
SCALE : 1=1
TYPICAL FOR ALL PART NO'S



DETAIL A-A
SCALE : 1=1
TYPICAL FOR ALL PART NO'S

REACH CARRIAGE ASSEMBLY
Figure 828-000-619/ (U)



Model 20 - S/N _____ and Up
Model 21 - S/N _____ and Up
Model 31 - S/N _____ and Up

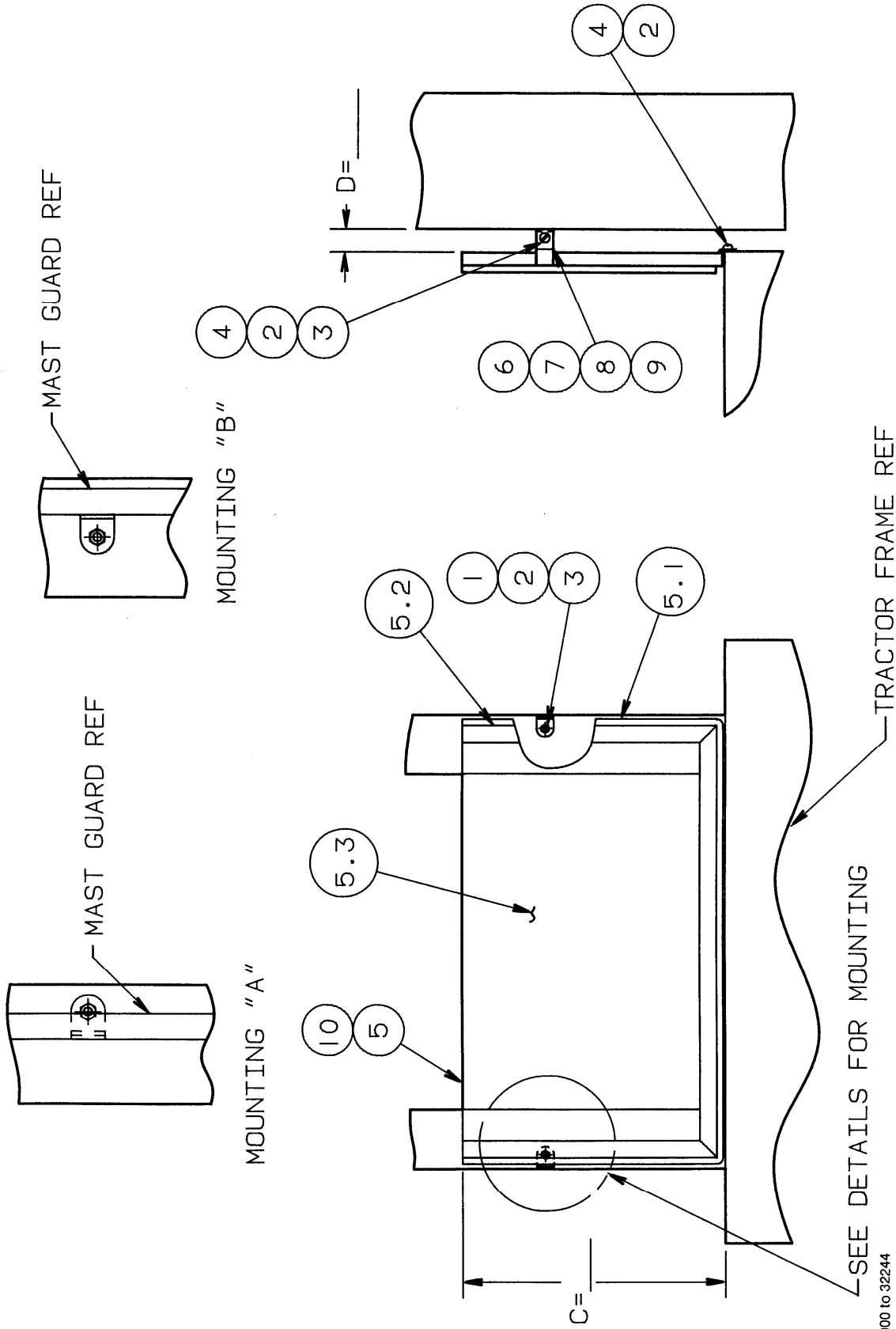
CYLINDER ASSEMBLY
Figure 540-047/

THE RAYMOND CORPORATION

MECHANICAL FORK CARRIAGE INSTALLATION
Figure 828-000-820/ thru 829 (C)

Page 628.1

Item No.	Qty	Part Number	Description	Item No.	Qty	Part Number	Description
C	1	828-000-962	Fork Carriage Assembly (4D-R30T/TT)	1	1	787-002-080/002	Torque Arm Assembly - R.H. (3000# 24" Opening)
D	1	828-000-964	Fork Carriage Assembly (4D-R40T/TT)	1	1	787-002-080/003	Torque Arm Assembly - R.H. (3000# 48" Opening-4D)
E	1	828-000-935	P.T. Carriage Assembly (R30T/TT, 24" Adj.)	6A	2	462-240	Bearing
F	1	828-000-776	P.T. Carriage Assembly (R40T/TT, 24" Adj.)	7	2	670-003-050/001	Roller - Tube Assembly (30" Opening)
G	1	828-000-839	P.T. Carriage Assembly (R30T/TT, 30" Adj.)	2	2	670-803-050	Roller - Tube Assembly (27" Opening)
H	1	828-000-696	P.T. Carriage Assembly (R40T/TT, 30" Adj.)	2	2	670-003-050/002	Roller - Tube Assembly (24" Opening)
J	1	828-000-934	P.T. Carriage Assembly (R30T/TT, 27" Adj.)	2	2	670-003-050/005	Roller - Tube Assembly (48" Opening, 4D)
K	1	828-000-936	P.T. Carriage Assembly (R40T/TT, 27" Adj.)	7A	2	462-240	Bearing
1	1	828-000-963	Carriage Wediment (3000#-4D,48" Opening)	8	1	670-003-070/005	Power Tilt Roller Shaft (48" Opening, 4D)
1	1	828-000-965	Carriage Wediment (4000#-4D,48" Opening)	1	1	670-003-070/001	Power Tilt Roller Shaft (30" Opening)
1	1	828-000-695	Carriage Wediment (4000#-27" Opening)	1	1	670-803-070	Power Tilt Roller Shaft (27" Opening)
1	1	828-000-937	Carriage Wediment (4000#-30" Opening)	1	1	670-003-070/002	Power Tilt Roller Shaft (24" Opening)
1	1	828-000-937	Carriage Wediment (4000#-24" Opening)	9	2	670-003-080/001	Power Tilt Roller Shaft (30" Opening)
1	1	828-000-840	Carriage Wediment (3000#-30" Opening)	2	2	670-003-080/005	Power Tilt Roller Shaft (48" Opening, 4D)
1	1	828-000-935	Carriage Wediment (3000#-27" Opening)	2	2	670-803-080	Power Tilt Roller Shaft (27" Opening)
1	1	828-000-836	Carriage Wediment (3000#-24" Opening)	2	2	670-003-080/002	Power Tilt Roller Shaft (24" Opening)
2	REF	670-003-120	Cylinder & Linkage Assembly (4000#)	10	1	670-003-090	Shaft Link
3	REF	787-002-090	Cylinder & Linkage Assembly (3000#)	11	1	726-054	Nylok Set Screw 3/8-16 x 1
2	2	787-003-130	Spacer (4000#)	12	4	820-001-656	Pad
4	1	623-003-010/001	Fork Bar (4000#-30" Opening)	13	AR	820-001-657	Shim
1	1	623-803-010	Fork Bar (4000#-27" Opening)	14	AR	820-001-658	Shim
1	1	623-003-010/002	Fork Bar (4000#-24" Opening)	15	4	715-069	Bt. Hd. Soc. Screw 5/16-24 x 1-1/4
1	1	780-006-090/002	Fork Bar (3000#-30" Opening)	16	2	820-004-771/001	Wear Plate
1	1	780-806-090	Fork Bar (3000#-27" Opening)	17	4	715-026	Fl. Hd. Screw 5/16-18 x 3/4
1	1	787-019-030/001	Fork Bar (3000#-48" Opening - 4D)	18	1	670-003-150	Cylinder Cover Weldment (4000#)
1	1	780-006-070/002	Fork Bar (3000#-24" Opening)	19	2	787-003-040	Cylinder Cover Weldment (3000#)
5	1	787-009-020/003	Fork Bar (4000#-48" Opening - 4D)	20	2	702-195	Fl. Hd. Mach. Screw 1/4-20 x 1/2
1	1	670-014-020/001	Torque Arm Assembly - L.H. (4000#-30" Opening)	21	4	726-042	Fl. Hd. Mach. Screw 1/4-20 x 3/4
1	1	670-814-020	Torque Arm Assembly - L.H. (4000#-27" Opening)	22	1	714-229	Set Screw 5/16-24 x 1/2
1	1	670-014-020/002	Torque Arm Assembly - L.H. (4000#-24" Opening)	23	1	750-434	Soc. Hd. Cap Screw 1/2-13 x 5
1	1	670-014-020/005	Torque Arm Assembly - L.H. (4000#-48" Opening-4D)	24	1	772-115	Hex Jam Nut 1/2-13
1	1	787-002-070/001	Torque Arm Assembly - L.H. (3000#-30" Opening)	25	AR	820-002-283	Lockwasher 1/2
1	1	787-802-070	Torque Arm Assembly - L.H. (3000#-27" Opening)	27	1	828-001-297	Spacer
1	1	787-002-070/002	Torque Arm Assembly - L.H. (3000#-24" Opening)	27A	1	810-722	Half Shaft Sub-Assembly
1	1	787-002-070/003	Torque Arm Assembly - L.H. (3000#-48" Opening-4D)	28	1	828-001-298	Half Shaft Sub-Assembly
5A	2	462-240	Bearing	28A	1	810-722	Spirol Pin
6	1	670-014-030/001	Torque Arm Assembly - R.H. (4000#-30" Opening)	29	1	715-035	Soc. Hd. Set Screw 3/8-16 x 1-1/4
1	1	670-814-030	Torque Arm Assembly - R.H. (4000#-27" Opening)	30	2	822-000-079/001	Fork Pin (4000#)
1	1	670-014-030/002	Torque Arm Assembly - R.H. (4000#-24" Opening)	31	2	822-000-079/003	Fork Pin (3000#)
1	1	670-014-030/005	Torque Arm Assembly - R.H. (4000#-48" Opening-4D)				
1	1	787-002-080/001	Torque Arm Assembly - R.H. (3000#-30" Opening)				
1	1	787-802-080	Torque Arm Assembly - R.H. (3000#-27" Opening)				



MAST GUARD INSTALLATION
Figure 828-001-007/ (A)
Figure 828-001-006/ (A)

Model 20 - S/N 29000 to 32244
Model 21 - S/N 4000 to 5569
Model 31 - S/N 13050 to 15504

THE RAYMOND CORPORATION

HOSE AND CABLE INSTALLATION
Figure 828-000-871/ thru 873/ (B)

Item No.	Qty.	Part Number	Description
1	1	828-000-845/	Hose Assembly
2	1	828-000-845/	Hose Assembly
3	1	828-000-860	Cable Assembly
4	AR	611-029	Ty-Rap
5	3	830-006	Spring
6	1	1-030-017	Terminal Strip
7	2	701-068	Rd. Hd. Mach. Screw 6-32 UNC x 5/8
8	1	772-009	Lockwasher #8 Light
9	5	1-074-002	Jumper
10	1	828-000-810	Cable Assembly
11	1	828-000-811	Cable Assembly
12	1	828-000-812	Cable Assembly
13	1	1-030-018	Insulator
14	1	701-097	Rd. Hd. Mach. Screw 8-32 UNC x 7/8
15	1	154-005-462/037	Connector Module Assembly
16	1	1-074-087/008	Clamp
17	1	828-000-845/	Hose Assembly
18	1	828-000-845/	Hose Assembly
19	2	772-007	Lockwasher #6 Light
20	1	828-001-105	Cable Clamp Bracket
21	1	701-111	Rd. Hd. Mach. Screw 10-32 x 1/4
22	1	772-012	Lockwasher #10 Light
23	1	812-001-355	Cable Clamp
24	1	710-007	Hex Hd. Screw 1/4-28 x 1/2
25	1	772-116	Lockwasher 1/4

828-000-871/

W/O ITEMS	DESCRIPTION	P/N
1, 2, 3, 6, 7, 8, 9, 10, 11, 12, 13, 14, 15, 16, 19, 20, 21, 22	SINGLE FUNCTION REACH	1
12, 17, 18	TWO FUNCTION REACH/TILT	2
11, 17, 18	THREE FUNCTION REACH/TILT/S.S.	3

CHART 2

HOSE & CABLE LENGTHS			
OACH	ITEM #1	ITEM #2	ITEM #3
71	111	105	160
72	113	107	162
73	115	109	164
74	117	111	166
75	119	113	168
76	121	115	170
77	123	117	172
78	124	119	174
79	127	121	176
80	129	123	178
81	131	125	180
82	133	127	182
83	135	129	184
84	137	131	186
85	139	133	188
86	141	135	190
87	143	137	192
88	145	139	194
89	147	141	196
90	149	143	198
91	151	145	200
92	153	147	202
93	155	149	204
94	157	151	206
95	159	153	208
96	161	155	210
97	163	157	212
98	165	159	214
99	167	161	216
100	169	163	218
101	171	165	220
102	173	167	222

HOSE & CABLE LENGTHS			
OACH	ITEM #1	ITEM #2	ITEM #3
103	175	169	224
104	177	171	226
105	179	173	228
106	181	175	230
107	183	177	232
108	185	179	234
109	187	181	236
110	189	183	238
111	191	185	240
112	193	187	242
113	195	189	244
114	197	191	246
115	199	193	248
116	201	195	250
117	203	197	252
118	205	199	254
119	207	201	256
120	209	203	258
121	211	205	260
122	213	207	262
123	215	209	264
124	217	211	266
125	219	213	268
126	221	215	270
127	223	217	272
128	225	219	274
129	227	221	276
130	229	223	278
131	231	225	280
132	233	227	282
133	235	229	284
134	237	231	286

828-000-845/XXX

SEE TABLE FOR HOSE LENGTH

828-000-860/XXX

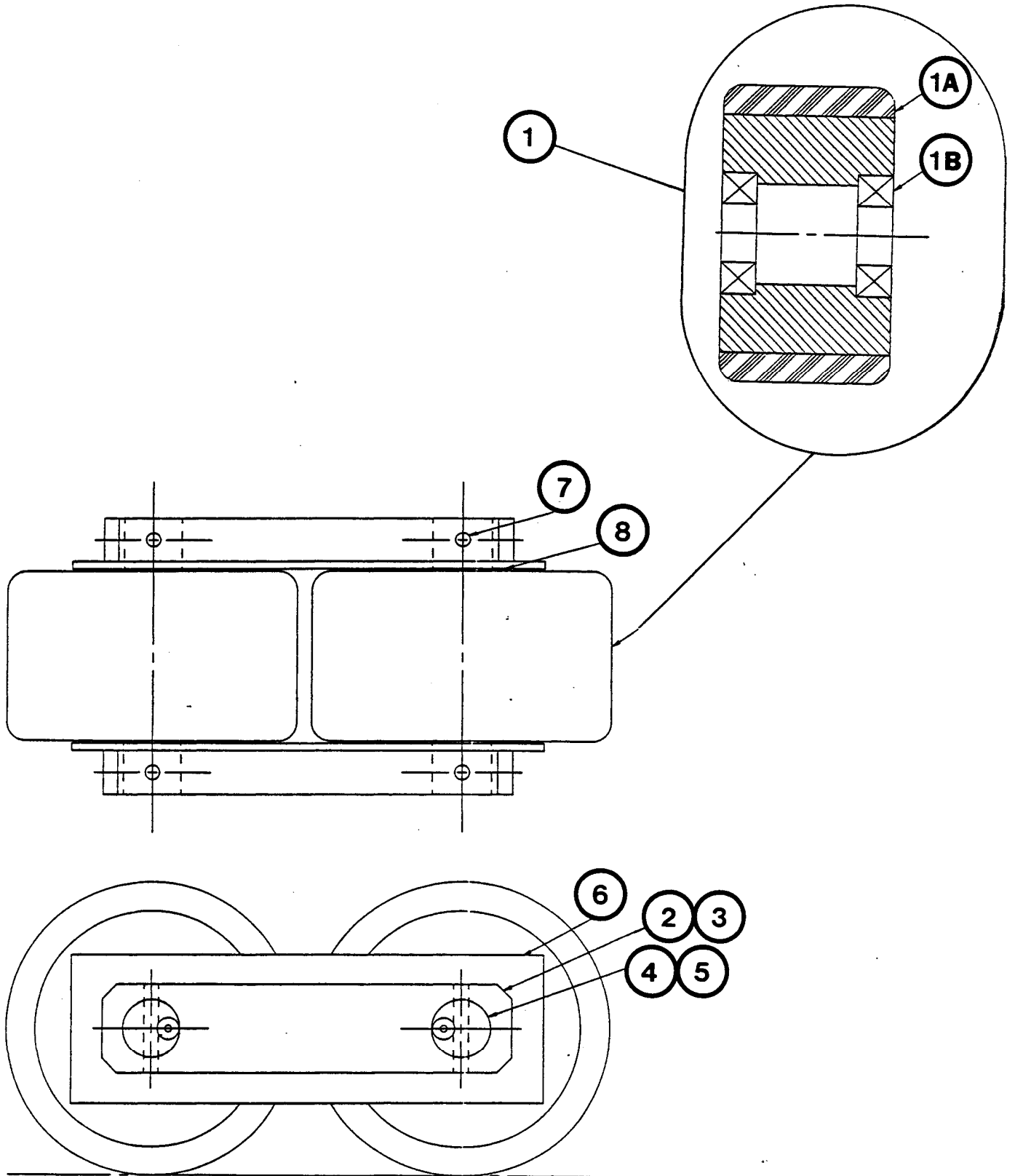
SEE TABLE FOR CABLE LENGTH

HOSE LENGTH FORMULA: (TAKEN TO THE NEAREST INCH.)

- #1 = 2 + OACH + 31
- #2 = 2 + OACH + 37
- #3 = 2 + OACH + 6
- #4 = 2 + OACH + 12

CABLE LENGTH FORMULA:

- #1 = 2 + OACH + 19



1/N _____ and Up
5" x 2 7/8"

LOAD WHEEL ASSEMBLY
Figure 625-001-628/

CLICK HERE TO **DOWNLOAD** THE COMPLETE MANUAL

- Thank you very much for reading the preview of the manual.
- You can download the complete manual from: www.heydownloads.com by clicking the link below



- Please note: If there is no response to CLICKING the link, please download this PDF first and then click on it.

CLICK HERE TO **DOWNLOAD** THE COMPLETE MANUAL