

NEW HOLLAND

**SERVICE PARTS
CATALOG**

MODELS

1900 FORAGE HARVESTER

2100 FORAGE HARVESTER

(ABOVE SERIAL NO. 404591)

AND

919S SICKLEBAR

ISSUE 4 - 88

(REPLACES ALL PREVIOUS ISSUES)

CLICK HERE TO **DOWNLOAD** THE COMPLETE MANUAL

- Thank you very much for reading the preview of the manual.
- You can download the complete manual from: www.heydownloads.com by clicking the link below



- Please note: If there is no response to CLICKING the link, please download this PDF first and then click on it.

CLICK HERE TO **DOWNLOAD** THE COMPLETE MANUAL

MODEL 1900 AND 2100 HARVESTERS
BELTS AND CHAINS

Ref. No.	Part No.	No. Used	Description
1	719848	1	Chain Assembly, RC 80, 85 Pitches, Cutterhead Drive
	+ 66864	1	Chain Assembly, RC 80, 82 Pitches, Cutterhead Drive
	\$718353	1	Chain Assembly, RC 100, 68 Pitches, Cutterhead Drive
2	618933	1	Chain Assembly, RC 80, 42 Pitches, Attachment Drive
3	718352	1	Chain Assembly, RC 80, 58 Pitches, Feedroll Drive
	719097	1	Extension for 718352, 5 Pitches
4	615546	1	Chain Assembly, RC 60, 48 Pitches, Upper Feedroll
5	66494	1	Chain Assembly, RC 60, 50 Pitches, Lower Feedroll
6	9611905	1	Blower Belt, Low Speed, 83.5" (2121mm)
	9611904	1	Blower Belt, High Speed, 77" (1955.8mm)
	+631478	1	Blower Belt, Europe, 80.5" (2044.7mm)
7	632679	1	Belt Set (1-3V Belt and 1-4V Belt) Main Drive
8	601881	1	Banded Belt, 62" (1575mm) Hydraulic Pump
9	616163	1	V-Belt, Cog Type, 48" (1219mm) Alternator
10	630406	1	Belt Set, 78" (1981mm) Fan and Compressor
	+616476	1	Belt Set, 80" (2032mm) Fan
11	715130	1	Banded Belt, 58" (1473mm) Cutterhead Housing
12	259346	1	V-Belt, 48" (1219mm) Alternator
13	705807	1	Belt Set, 93" (2362mm) Fan
14	264557	1	V-Belt, 52.75" (1340mm) A-C Compressor

+ Used only on European Machines

\$ Used only on Early Model 2100

MODEL 1900 AND 2100 HARVESTERS
CUTTERHEAD HOUSING GROUP

Ref. No.	Part No.	No. Used		Description
		1900	2100	
1	(k)600399 791108	1	1	Cutterhead Housing Weld Assembly (Includes (4) of Ref. No. 2) Cutterhead Housing Weld Assembly (Includes (4) of Ref. No. 2) 2 11787 Compression Fitting 2 88062 Cap Screw, Hex Head, Grade 5, 5/8" x 1 1/2" 2 88494 Cap Screw, Hex Head, Grade 5, 5/8" x 1 3/4" 1 280319 Cap Screw, Hex Head, Grade 5, 5/8" x 1 1/4" 2 52828 Washer 5 84057 Lockwasher, 5/8" 2 280374 Nut, Grade 5, 5/8"
2	167050	4	4	Bushing
3	258571	6	6	Lube Line, Cut to Length Required 8 11787 Compression Fitting 4 48564 Compression Fitting, 90° 6 84303 Lube Fitting, 1/8" NPT, Female
4	615610	1	1	Angle, RH
4A	615611	1	1	Angle, LH 4 280503 Bolt, Rd. Hd. Short Sq. Neck, Gr. 5, 3/8" x 1" 4 80702 Washer, 3/8" 4 80680 Lockwasher, 3/8" 4 84944 Nut, 3/8"
5	573926	2	2	Crescent Weld Assembly 4 88589 Plow Bolt, 3/8" x 1" 2 280400 Cap Screw, Hex Socket Head, 5/8" x 3/4" 2 280580 Cap Screw, Hex Head, Grade 5, 5/8" x 1" 4 677913 Special Washer, 3/8" --- Replaces 28409 4 256713 Spacer, 3/8" 12 27531 Special Washer, 5/8" 4 80299 Washer, 5/8" 2 84057 Lockwasher, 5/8" 4 80680 Lockwasher, 3/8" 4 84944 Nut, 3/8"
6	621173	1	1	Plate Weld Assembly, RH 2 87670 Cap Screw, Hex Head, Grade 5, 1/2" x 1 1/4" 2 80700 Washer, 1/2" 2 80679 Lockwasher, 1/2"
7	621174	1	1	Plate Weld Assembly, LH 2 87670 Cap Screw, Hex Head, Grade 5, 1/2" x 1 1/4" 2 80700 Washer, 1/2" 2 80679 Lockwasher, 1/2"
8	855626	1	1	Guide Weld Assembly, LH --- Replaces 714737 and 677283 3 87232 Cap Screw, Hex Socket Flat Head, 1/2" x 1 3/4" 3 88871 Locknut, Grade C, 1/2"
9	856223 714638	1	1	Baffle Weld Assembly --- Replaces 617027 Baffle Weld Assembly
10	855625	1	1	Guide Weld Assembly, RH --- Replaces 714734 and 677284 3 87232 Cap Screw, Hex Socket Flat Head, 1/2" x 1 3/4" 3 88871 Locknut, Grade C, 1/2"
11	600516 574553	1	1	Cover Weld Assembly Cover Weld Assembly 2 87670 Cap Screw, Hex Head, Grade 5, 1/2" x 1 1/4" 2 80700 Washer, 1/2" 2 80679 Lockwasher, 1/2"
12	636726	1	1	Front Sheet Weld Assembly, LH 4 88206 Cap Screw, Hex Head, Grade 5, 3/8" x 1" 4 80680 Lockwasher, 3/8"

(k) Used on and below Serial No. 440434 (1900)

CONTINUED

MODEL 1900 AND 2100 HARVESTERS
CUTTERHEAD AND SHEAR BAR GROUP

Ref. No.	Part No.	No. Used		Description
		1900	2100	
1		1	1	Cutterhead Gearbox (Refer to Separate Breakdown)
2	572463	1	1	Bearing Housing, RH 6 84057 Lockwasher, 5/8" 6 280374 Nut, Grade 5, 5/8"
3	574176	AR	AR	Shim, .010" (.25mm)
	574175	AR	AR	Shim, .020" (.52mm)
	574174	AR	AR	Shim, .060" (1.52mm)
4	572266	2	2	Bearing Cone
5	572265	2	2	Bearing Cup
6	(i)711855	1		Bearing Housing, LH
	(j)612535	1	1	Bearing Housing, LH
	(i)711857		1	Bearing Housing, LH
	(j)642571		1	Bearing Housing, LH 6 84057 Lockwasher, 5/8" 6 84947 Nut, 5/8"
7	633865	AR	AR	Shim, .003" (.076mm)
	633866	AR	AR	Shim, .005" (.127mm)
9	600731	1		Knife Holder Weld Assembly
	711820		1	Knife Holder Weld Assembly 1 80710 Lube Fitting, 1/8" NPT 1 84303 Lube Fitting, 1/8" NPT, Female
10	+ 621567	12		Support Strip Weld Assembly
	+ 621549		12	Support Strip Weld Assembly
11	+ 617554	60	72	Bracket
12	+ 704581	60	72	Knife Support
	++ 642427	60	72	Knife Support
		120	144	+ 87630 Cap Screw, Hex Head, Grade 5, 5/8" x 2 1/2"
		120	144	++ 88555 Cap Screw, Hex Head, Grade 5, 5/8" x 2"
		120	144	84947 Nut, 5/8"
13	770254	12		Spiral Knife, Double Edged --- Replaces 600734
	770255		12	Spiral Knife, Double Edged --- Replaces 636830
	916895	60	72	+ 88572 Cap Screw, Hex Head, Grade 8, 5/8" x 1 1/4" UNF
		60	72	++280732 Cap Screw, Hex Head, Grade 8, 5/8" x 1 1/2" UNF
		60	72	64053 Special Washer
14	796287	1		Shear Bar --- Replaces 635137 and 774726
	796288		1	Shear Bar --- Replaces 635146 and 774725
15	333040	2	2	Hardened Washer
16	87630	2	2	Cap Screw, Hex Head, Grade 5, 5/8" x 2 1/2" 2 84057 Lockwasher, 5/8"
17	177459	2	2	Special Washer
18	177458	2	2	Adjuster
19	248883	2	2	Special Washer
20	88736	2	2	Cap Screw, Hex Head, Grade 5, 3/4" x 4", UNF 2 87340 Lockwasher, 3/4"
21	600735	1		Shear Bar Support
	714318		1	Shear Bar Support 1 280319 Cap Screw, Hex Head, Grade 5, 5/8" x 1 1/4" 2 88494 Cap Screw, Hex Head, Grade 5, 5/8" x 1 3/4" 4 88343 Cap Screw, Hex Head, Grade 5, 5/8" x 3 3/4" 7 84057 Lockwasher, 5/8"
22	714320	2	2	Spacer
23	163962	AR	AR	Shim, .015" (.38mm)
	717349	AR	AR	Shim, .024" (.61mm)
24	++ 642472	12		Baffle
	++ 679439		12	Baffle
25	(l)792550	1		Spacer

AR - As Required

+ Used on Machines with two piece Support and Bracket (Ref Nos. 10 and 11)

++ Used on Machines with one piece Baffle (Ref. No. 24)

(i) Used on and below Serial No. 440385 (1900); 469333 (2100)

(j) Used on and above Serial No. 440386 (1900); 469334 (2100)

(l) Used on and above Serial No. 440434 (1900)

MODEL 1900 HARVESTER
AUTOMATIC KNIFE SHARPENER
USED ON AND ABOVE SERIAL NO. 440435

Ref. No.	Part No.	No. Used	Description
1	774484	1	Cap, Stone Holder
2	774492	1	Spacer
3	774490	4	"O" Ring
4	774491	1	Spacer
5	855767	1	Stone, Sharpener
6	774493	1	Stone Holder
7	788024	1	Chain
8	787651	1	Support Carrier
9	80855	1	Nut
10	859978	1	Cam Follower
11	615179	AR	Shim
12	788299	1	Nylon Plug
13	80701	1	Washer
14	29524	1	Compression Spring
15	787352	1	Rod
16	697045	2	Bearing
17	697046	2	Seal
18	268118	2	Retaining Ring
19	33778	1	Hairpin Cotter
20	87414	1	Lube Fitting
21	697073	1	Guide
22	140048	2	Lockwasher
23	120089	2	Hex Bolt
24	796604	1	Support
25	791972	4	Needle Bearing
26	791993	2	Plain Washer
27	851799	1	Sprocket
28	80777	2	Pin
29	788023	1	Chain
30	323787	1	Grease Nipple, 45°
31	791968	1	Sprocket
32	850052	1	Electric Motor
		3	88542 Cap Screw, Hex Head, Grade 5, 1/4" x 1/2"
		3	80682 Lockwasher, 1/4"
		3	80701 Washer, 1/4"
33	796560	3	Sprocket
34	80430	1	Pin
36	854190	1	Switch
37	852140	1	Switch
38	787554	1	Support
		2	120245 Carriage Bolt, Cl. 8.8, M10 x 30
		AR	378244 Washer, M10
		2	140045 Lockwasher, M10
		2	100016 Nut, M10
39	794494	1	Hex Nut, Special
40	787791	1	Handle
41	705526	1	Angle
		1	120037 Carriage Bolt, M8 x 20
		1	280278 Lockwasher, 5/16"
		1	100015 Nut, M8
42	787558	2	Mount Weld Assembly
		1	12432 Bronze Bushing
		2	120110 Cap Screw, Hex Head, Cl. 8.8, M10 x 25
		2	140045 Lockwasher, M10
		2	100016 Nut, M10
43	323713	1	Grease Nipple, 90°
44	792249	1	Connector
		1	9613950 Lockscrew, Hex Head, M6 x 25
		1	322357 Lockwasher, M6

AR - As Required

CONTINUED

MODEL 1900 AND 2100 HARVESTERS
FEED ROLL GROUP

Ref. No.	Part No.	No. Used		Description
		1900	2100	
1		1	1	Lower Front Feed Roll, Refer to Metal Detector Group
2	636728	4	4	Bearing and Housing Assembly, Selective Fit
				4 48564 Compression Fitting, 90°
				4 80709 Pipe Plug, 1/8"
				12 88044 Cap Screw, Hex Head, Grade 5, 3/8" x 1 1/2"
				4 88428 Cap Screw, Hex Head, Grade 5, 3/8" x 1 3/4"
				16 80680 Lockwasher, 3/8"
3	47067	4	4	Locking Collar
4	714081	1	1	Sprocket Weld Assembly, 39T
				1 87847 Cap Screw, Hex Head, Gr. 5, 1/2" UNF x 1 1/4"
				1 80679 Lockwasher, 1/2"
				1 87569 Lube Fitting, 1/4"-28, 45°
5	214445	1	1	Washer
5A	633944	1	1	Washer, Beveled
6	66494	1	1	Chain Assembly, #60 Roller Chain, 50 Total Pitches
				AR 25808 Roller Link
				AR 25812 Connector Link
				AR 25817 Offset Link
7	714084	1	1	Sprocket Weld Assembly, 15T
				2 87408 Lube Fitting, 1/4"-28, Short
8	600368	1		Smooth Roll Weld Assembly
	714073		1	Smooth Roll Weld Assembly
9	600856	1		Scraper
	714636		1	Scraper
				2 87689 Cap Screw, Hex Head, Grade 5, 1/2" x 1 1/2"
				2 87364 Washer, 1/2"
				2 80679 Lockwasher, 1/2"
10	611194	1		Upper Front Feed Roll Weld Assembly
	611191		1	Upper Front Feed Roll Weld Assembly
11	609354	3	3	Washer, Special
12	136903	2	2	Bearing Assembly
				2 88467 Spring Pin, 1/8" x 1/2"
13	122432	2	2	Washer
14	280567	2	2	Slotted Hex Nut, 5/8" UNF
				2 87397 Cotter Pin, 3/16" x 1"
15	249128	2	2	Hub Cap
16	617796	1	1	Washer, Special
17	617793	1	1	Bearing Assembly
				1 88467 Spring Pin, 1/8" x 1/2"
18	714448	1	1	Sprocket Weld Assembly
19	214445	1	1	Washer
20	131998	1	2	Drilled Cap Screw
				1 80679 Lockwasher, 1/2"
				AR N.S.S. Lockwire
21	615546	1	1	Chain Assembly, #60 Roller Chain, 48 Total Pitches
				AR 25808 Roller Link
				AR 165590 Connector Link, Spring Clip Type
				AR 25817 Offset Link
22	+ 714504	1	1	Sprocket and Yoke Weld Assembly, 17T
	++ 692389	1	1	Sprocket and Yoke Weld Assembly, 17T

AR - As Required

N.S.S. - Not Serviced Separately

+ Used on machines with a 1" (25.4mm) x 1 1/8" (28.5mm) Rectangular Shaft, Ref. No. 50.

++ Used on machines with a 1 3/16" (30mm) Square Shaft, Ref. No. 50.

CONTINUED

MODEL 1900 HARVESTER
 643199 REVERSING GEARBOX
 (j) USED ON AND ABOVE SERIAL NO. 440386

Ref. No.	Part No.	No. Used	Description
	643199	1	Reversing Gearbox Assembly
1	612110	1	Housing Half
		2	280440 Dowel Pin, 1/2" x 3/4"
		2	87238 Dowel Pin, 5/16" x 3/4"
2	781301	1	Housing Half --- Replaces 612539
		17	88011 Cap Screw, Hex Head, Grade 5, 3/8" x 1 1/4"
		17	88902 Locknut, Grade C, 3/8"
3	80775	2	Pipe Plug, 1/4" NPT
4	88472	1	Street Elbow, 3/4"
5	572820	1	Vent Plug Assembly
6	643192	1	Input Gear and Shaft Assembly, 49T (Incl. Ref. Nos. 11 & 12)
8	632647	1	Cap
		3	88206 Cap Screw, Hex Head, Grade 5, 3/8" x 1"
		3	80680 Lockwasher, 3/8"
9	791293	AR	Shim, .003" (.076mm) --- Replaces 612782
	791294	AR	Shim, .005" (.127mm) --- Replaces 612783
	791295	AR	Shim, .020" (.508mm) --- Replaces 612784
10	287066	3	Bearing Cup, 3.25" (82.55mm), OD
11	199954	1	Bearing Cone, 1.9683" (50mm), ID
12	287902	2	Bearing Cone, 2.00" (50.8mm), ID
13	603916	2	Seal, 2.879" (73.1mm), OD
14	611322	1	Gear, 40T
15	643197	1	Shaft
16	28691	AR	Washer, 2 3/8" (60mm), OD, .035" (.89mm), Thick
17	166500	AR	Shim, 1.93" (49mm), OD, .005" (.127mm), Thick
18	121506	1	Bearing Cup and Cone Assembly
19	138643	1	Retaining Ring, 1.398" (35.5mm), ID, .050" (1.27mm), Thick
20	612779	AR	Shim, .003" (.076mm)
	612780	AR	Shim, .005" (.127mm)
	612781	AR	Shim, .020" (.508mm)
21	632647	1	Cap
		3	88206 Cap Screw, Hex Head, Grade 5, 3/8" x 1"
		3	80680 Lockwasher, 3/8"
24	612776	1	Special Washer, 2 1/4" (57mm), ID, 3" (76mm), OD
25	697400	1	Gear and Plate Weld Assembly, 22T (Includes Ref. No. 26) --- Replaces 611314
26	611308	2	Bushing
27	772014	1	Ring Gear --- Replaces 611315
		7	88854 Cap Screw, Hex Socket Flat Head, 5/16" x 7/8"
28	626286	1	Retaining Ring, 1.378" (35mm), ID, .172" (4.37mm), Thick
29	136744	1	Washer, 1/5" (38mm), ID, 2 5/8" (67mm), OD
30	228033	1	Gear, 19T
32	630737	1	Hub and Gear Assembly (Includes Ref. Nos. 12, 33 thru 38)
33	65930	2	Bushing, 1.252" (31.8mm), ID, Burnish After Assembly
34	693216	2	Gear Assembly, 15T (Includes Ref. No. 35)
35	132447	2	Bushing, .878" (22.3mm), ID
36	136747	2	Washer
37	137286	2	Retaining Ring, .807" (20.5mm), ID
38	136771	1	Seal, 1.69" (42.9mm), OD
39	611704	2	Magnet
		4	87909 Cap Screw, Hex Head, Grade 5, 1/2" x 1"
		4	87670 Cap Screw, Hex Head, Grade 5, 1/2" x 1 1/4"
		8	80679 Lockwasher, 1/2"

AR - As Required

CONTINUED

MODEL 1900 AND 2100 HARVESTERS
 METAL DETECTOR GROUP (CONTINUED)
 (h) USED ON AND ABOVE SERIAL NO. 440351 (1900); 469314 (2100)
 (CONTINUED)

Ref. No.	Part No.	No. Used		Description
		1900	2100	
29	620627	1	1	Pin Weld Assembly 1 88573 Cap Screw, Hex Head, Grade 5, 1/4" x 3/4" 1 80682 Lockwasher, 1/4"
30	612660	1	1	Slide Stop
31	612806	1	1	Pin Weld Assembly
32	612830	1	1	Shaft Weld Assembly --- Replaces 646106
33	612827	1	1	Shaft, Install with Loctite --- Replaces 646104
34	612661	3	3	Washer
35	612764	2	2	Elastomer Spring
36	87435	1	1	Slotted Nut, 3/4" 1 80754 Cotter Pin, 3/16" x 1 1/2"
37	9612314	1	1	Retainer --- Replaces 628474 and 859069
38	697638	1	1	Plug
39	38767	1	1	Lock Collar

MODEL 1900 AND 2100 HARVESTERS
BLOWER GROUP (CONTINUED)

Ref. No.	Part No.	No. Used		Description
		1900	2100	
9	+ 46579	1	1	Spacer, 1" (25mm) Long 3/4" (19mm) OD
	++ 856964	1	1	Spacer, 1" (25mm) Long 1/2" (13mm) OD
10	600995	(i) 1		Wear Plate
	574597	(j) 1	1	Wear Plate
				6 88463 Machine Screw, Flat Head, 5/16" x 1"
				6 80664 Washer, 5/16"
				6 80681 Lockwasher, 5/16"
				6 84943 Nut, 5/16"
11	600977	(i) 1		Bottom Band Weld Assembly
	794358	(j) 1	1	Bottom Band Weld Assembly --- Replaces 574592
				3 87868 Carriage Bolt, Grade 5, 1/2" x 1 1/4"
				3 80700 Washer, 1/2"
				3 80679 Lockwasher, 1/2"
				3 280431 Nut, Grade 5, 1/2"
12	600992	(i) 1		Top Band Weld Assembly
	574594	(j) 1	1	Top Band Weld Assembly
				3 87670 Cap Screw, Hex Head, Grade 5, 1/2" x 1 1/4"
				6 80700 Washer, 1/2"
				3 80679 Lockwasher, 1/2"
				3 280431 Nut, Grade 5, 1/2"
13	600986	(i) 1		Support
	600987	(j) 1	1	Support
				2 88011 Cap Screw, Hex Head, Grade 5, 3/8" x 1 1/4"
				2 80702 Washer, 3/8"
				2 80680 Lockwasher, 3/8"
				2 84944 Nut, 3/8"
14	600998	(i) 1		Cone Weld Assembly
	9600294	(j) 1	1	Cone Weld Assembly --- Replaces 574585 and 861395
				1 88494 Cap Screw, Hex Head, Grade 5, 5/8" x 1 3/4"
				1 84057 Lockwasher, 5/8"
15	9600297	1	1	Paddle Assembly (Set of 3) --- Replaces 574566 and 770008
	9601704	1	1	Paddle Assembly (Set of 4)
				12 or 16 87670 Cap Screw, Hex Head, Grade 5, 1/2" x 1 1/4"
				12 or 16 80700 Washer, 1/2"
				12 or 16 80679 Lockwasher, 1/2"
16	574245	1	1	Washer
17	688434	1	1	Cover Plate --- Replaces 601019
				AR 88833 Carriage Bolt, Grade 5, 1/4" x 1"
				2 80701 Washer, 1/4"
				2 280129 Locknut, Grade C, 1/4"
18	+ 600982	1		Angle
	+ 717809		1	Angle
				2 87670 Cap Screw, Hex Head, Grade 5, 1/2" x 1 1/4"
				3 87868 Carriage Bolt, Grade 5, 1/2" x 1 1/4"
				AR 80700 Washer, 1/2"
				5 80679 Lockwasher, 1/2"
				3 280431 Nut, Grade 5, 1/2"
19	700641	2	3	Eyebolt
		2	2	88551 Cap Screw, Hex Head, Grade 5, 1/2" x 1 3/4"
		2	2	80679 Lockwasher, 1/2"
		2	2	576658 Washer, Special
		2	2	280431 Nut, Grade 5, 1/2"
			1	280552 Bolt, Rd Hd, Sh Sq Neck, Gr 5, 3/8" x 1 1/2"
			1	58225 Washer
			1	80681 Lockwasher, 3/8"
			1	84944 Nut, 3/8"

AR - As Required

(i) Used on and below Serial No. 440385 (1900); 469333 (2100)

(j) Used on and above Serial No. 440386 (1900); 469334 (2100)

+ These parts are used on machines with Spout Position controlled by a Hydraulic Cylinder.

++ These parts are used on machines with Spout Position controlled by a Hydraulic Motor and Worm Gear. They are also included in 209320 Conversion Kit.

CONTINUED

MODEL 1900 AND 2100 HARVESTERS
SPOUT GROUP (CONTINUED)

Ref. No.	Part No.	No. Used	Description
18	(g)288166 (h)854973	1 1	Spout Weld Assembly Spout Weld Assembly --- Replaces 683959
			6 87702 Machine Screw, Flat Head, 3/8" x 1"
			6 80702 Washer, 3/8"
			7 80680 Lockwasher, 3/8"
			7 84944 Nut, 3/8"
			1 88131 Machine Screw, Truss Head, 3/8" x 1"
19	764837	1	Deflector Weld Assembly --- Replaces 631738
			2 280720 Machine Screw, Flat Head, 3/8" x 1 3/4"
			2 80680 Lockwasher, 3/8"
			2 84944 Nut, 3/8"
			2 80702 Washer, 3/8"
20	136696	2	Spacer
21	29579	1	Spring
22	136682	1	Bracket
			2 87702 Machine Screw, Flat Head, 3/8" x 1"
			2 80702 Washer, 3/8"
			2 80680 Lockwasher, 3/8"
			2 84944 Nut, 3/8"
23	764833	1	Bracket --- Replaces 261516
			2 88543 Cap Screw, Hex Head, Grade 5, 5/16" x 1"
			4 80664 Washer, 5/16"
			2 80681 Lockwasher, 5/16"
			2 84943 Nut, 5/16"
24	115680	1	Anchor Hook
25	289783	1	Connector
26	575943	2	Connector
27	683957	1	Transport Support Weld Assembly --- Replaces 630705
			4 88206 Cap Screw, Hex Head, 3/8" x 1"
			4 677913 Washer
			4 80680 Lockwasher, 3/8"
28	++626314	1	Extension Weld Assembly
			8 87259 Machine Screw, Truss Head, 3/8" x 1"
			+8 602632 Spacer, .105" (2.67mm) Thick
			++2 514999 Spacer
			8 87016 Washer, 3/8"
			8 80680 Lockwasher, 3/8"
			8 84944 Nut, 3/8"
29	+633625	1	Cover
	++683951	1	Cover
			4 280503 Bolt, Short Square Neck, Grade 5, 3/8" x 1"
			4 80702 Washer, 3/8"
			4 80680 Lockwasher, 3/8"
			4 84944 Nut, 3/8"
31	648242	1	Support Weld Assembly (Not Used on Early Machines)
			2 88206 Cap Screw, Hex Head, 3/8" x 1"
			2 80680 Lockwasher, 3/8"
			2 84944 Nut, 3/8"
32	(h) 47325	2 or ++3	Snap Fastener
			2 84821 Machine Screw, Truss Head, #10 x 1/2"
			2 80684 Lockwasher, #10
			2 87304 Nut, 3/16"
33	++696728	2	Brace

AR - As Required

(g) Used on and below Serial No. 440350 (1900); 469313 (2100)

(h) Used on and above Serial No. 440351 (1900); 469314 (2100)

+ Included in 206243 High Extension

++ Included in 209392 High Extension

MODEL 1900 HARVESTER
MAIN DRIVE GROUP (CONTINUED)

Ref. No.	Part No.	No. Used	Description
65	602096	1	Gear, 56T
		3	88044 Cap Screw, Hex Head, Grade 5, 3/8" x 1 1/2"
		3	80680 Lockwasher, 3/8"
66	628483	1	Gear Assembly (Includes Ref. Nos. 67, 68 and 69)
		1	87414 Lube Fitting, 1/4"-28
67	40305	1	"X" Washer
68	26981	1	Spring
69	226196	1	Pin
70	602029	1	Shaft
71	574844	1	Ball Bearing, 1" (25.4mm) ID
72	38260	1	Locking Collar
73	56128	2	Flangette
		2	280428 Carriage Bolt, Grade 5, 5/16" x 1"
		2	87362 Washer, 5/16"
		2	80681 Lockwasher, 5/16"
		2	84943 Nut, 5/16"
74	601980	1	Bracket
		4	88206 Cap Screw, Hex Head, Grade 5, 3/8" x 1"
		4	80702 Washer, 3/8"
		4	80680 Lockwasher, 3/8"
75	38766	1	Ball Bearing, 1 1/4" (31.7mm) ID
76	38767	1	Locking Collar
77	165385	2	Flangette
		2	88682 Carriage Bolt, Grade 5, 3/8" x 1"
		2	87016 Washer, 3/8"
		2	80680 Lockwasher, 3/8"
		2	84944 Hex Nut, 3/8"
78	635574	1	Arm Weld Assembly
		1	87381 Washer, 3/8" SAE
		AR	195903 Washer
		1	87398 Cotter Pin, 3/16" x 1 1/4"
79	39431	1	Spring, 13/16" (20mm) OD, 3 7/8" (98mm) Long
80	470041	1	Switch and Spring Assembly
		2	280389 Machine Screw, Fillister Head, #6 x 3/4"
		2	280471 Lockwasher, #6
		2	88458 Nut, #6
81	635571	1	Mount Weld Assembly
		4	88543 Cap Screw, Hex Head, Grade 5, 5/16" x 1"
		4	80664 Washer, 5/16"
		4	80681 Lockwasher, 5/16"
82	601959	1	Sheave, 1 1/4" (31.7mm) ID
		1	87485 Square Key, 5/16" x 2"
		2	84983 Set Screw, Square Head, Cup Point, 3/8"
		2	84969 Jam Nut, 3/8"
83	601881	1	Banded Belt, 62" (1575mm) Effective Length
84	621448	1	Idler, 1 19/32" (40.4mm) Wide, Press Fit
85	612256	1	Idler Arm
		1	84239 Washer, 3/4"
		1	87398 Cotter Pin, 3/16" x 1 1/4"
86	612296	1	Mount Weld Assembly (Includes (2) of Ref. No. 87)
		4	88206 Cap Screw, Hex Head, Grade 5, 3/8" x 1"
		4	80680 Lockwasher, 3/8"
		4	84944 Nut, 3/8"
87	40293	4	Bushing
88	136524	1	Spring, 1 1/4" (32mm) OD, 9 5/8" (245mm) Long
89	138539	1	Eyebolt, 3/8" x 8 3/4" (9.5mm x 222mm)
		2	84969 Jam Nut, 3/8"

AR - As Required

CONTINUED

MODEL 2100 HARVESTER
 MAIN DRIVE GROUP (CONTINUED)

Ref. No.	Part No.	No. Used	Description
27	715285	1	Mount Weld Assembly
	+675998	1	Mount Weld Assembly
			1 87414 Lube Fitting, 1/4"-28
			2 87909 Cap Screw, Hex Head, Grade 5, 1/2" x 1"
			2 87670 Cap Screw, Hex Head, Grade 5, 1/2" x 1 1/4"
			4 80700 Washer, 1/2"
			4 80679 Lockwasher, 1/2"
			2 280431 Nut, Grade 5, 1/2"
28	45314	1	Eyebolt
			1 29495 Washer
			1 87402 Cotter Pin, 1/4" x 1 1/4"
			2 84944 Nut, 3/8"
29	715283	1	Hub and Shaft Weld Assembly
30	38902	2	Spring
31	677913	1	Washer --- Replaces 28409
32	638305	1	Handle --- Replaces 715286
			1 87381 Washer, 3/4"
			1 11438 Washer
			2 80755 Cotter Pin, 1/8" x 1"
33	715290	1	Shelf Weld Assembly, Holds Ref. No. 23 Belt
			2 87909 Cap Screw, Hex Head, Grade 5, 1/2" x 1"
			2 80679 Lockwasher, 1/2"
34	9611904	1	Banded Belt, 77" (1956mm) High Speed Fan --- Replaces 713324
	9611905	1	Banded Belt, 83.5" (2121mm) Slow Speed Fan -- Replaces 713323
	+9502745	1	Banded Belt, 80.5" (2044.7mm) - Europe Only
35	713318	1	Sheave, 11.3" (287mm) OD, High Speed Fan
	713320	1	Sheave, 15" (383mm) OD, Slow Speed Fan
	+601383	1	Sheave, 13.6" (346.4mm) OD - Europe Only
36	713845	1	Puller
			1 87689 Cap Screw, Hex Head, Grade 5, 1/2" x 1 1/2"
			2 88206 Cap Screw, Hex Head, Grade 5, 3/8" x 1"
			1 80679 Lockwasher, 1/2"
			2 80680 Lockwasher, 3/8"
37	(g)578189	2	Flangette
	(h)621255	2	Flangette
			3 280503 Bolt, Rd. Hd., Sh. Sq. Neck, Gr. 5, 3/8" x 1"
			3 80680 Lockwasher, 3/8"
			3 84944 Nut, 3/8"
38	(g) 47066	1	Ball Bearing, .75" (19.05mm) Wide
	(h) 66497	1	Ball Bearing, .86" (22mm) Wide
39	(g) 47067	1	Locking Collar
	(h) 45393	1	Locking Collar
40	767302	1	Mount Weld Assembly --- Replaces 609150
			4 87689 Cap Screw, Hex Head, Grade 5, 1/2" x 1 1/2"
			AR 80700 Washer, 1/2"
			4 80679 Lockwasher, 1/2"
41	573728	1	Shaft and Coupling Weld Assembly
			2 87408 Lube Fitting, 1/4"-28, Short
42	574219	1	Idler Arm Weld Assembly
			1 58792 Washer
			1 87397 Cotter Pin, 3/16" x 1"

AR - As Required

+ These parts replace standard parts on European Machines Only

(g) Used on and below Serial No. 440350 - Model 1900; 469313 - Model 2100

(h) Used on and above Serial No. 440351 - Model 1900; 469314 - Model 2100

NOTE: When replacing Ref. No. 40 On Below Serial No. Machines, also Required are P/N's 66497, 45393 and (2) 621255.

CONTINUED

MODELS 1900 AND 2100 HARVESTERS
PLATFORM GROUP

Ref. No.	Part No.	No. Used	Description
1	(l) 637716	1	Platform Weld Assembly
	(m) 9601004	1	Platform Weld Assembly
	+ 637710	1	Platform Weld Assembly
			4 88770 Cap Screw, Hex Head, Grade 5, 5/8" x 4"
		4 84057 Lockwasher, 5/8"	
		4 84947 Nut, 5/8"	
2	612884	2	Rubber Mount, Front --- Replaces 575591
3	632436	2	Rubber Mount, Rear
4	578451	4	Special Washer
5	700277	1	Angle
			2 88206 Cap Screw, Hex Head, Grade 5, 3/8" x 1"
			2 88011 Cap Screw, Hex Head, Grade 5, 3/8" x 1 1/4"
			4 58225 Special Washer
			4 80680 Lockwasher, 3/8"
			2 84944 Nut, 3/8"
6	698566	1	Floor Mat --- Replaces 702968
7	719861	1	Retainer
			5 87657 Cap Screw, Hex Head, Grade 5, 5/16" x 1 1/4"
			5 80681 Lockwasher, 5/16"
			5 84943 Nut, 5/16"
8	613953	1	Retainer
			1 88543 Cap Screw, Hex Head, Grade 5, 5/16" x 1"
			2 87657 Cap Screw, Hex Head, Grade 5, 5/16" x 1 1/4"
			3 80681 Lockwasher, 5/16"
			3 84943 Nut, 5/16"
9	262844	9	Spacer
10	577523	1	Stand Weld Assembly
	+ 634213	1	Stand Weld Assembly
			3 88206 Cap Screw, Hex Head, Grade 5, 3/8" x 1"
		3 80680 Lockwasher, 3/8"	
11	713354	1	Angle
			1 87887 Self-Tapping Screw, 5/16" x 3/4"
			1 87872 Cap Screw, Hex Head, Grade 5, 5/16" x 3/4"
			2 80664 Washer, 5/16"
			2 80681 Lockwasher, 5/16"
			1 84943 Nut, 5/16"
12	637636	1	Instrument Panel Weld Assembly
	+ 634217	1	Instrument Panel Weld Assembly
			3 145913 Lockscrew, USR, 5/16" x 3/4"
		2 80702 Washer, 3/8"	
13	612216	1	Cover
			4 84909 Machine Screw, Truss Head, 1/4" x 3/4"
			4 80701 Washer, 1/4"
			4 80682 Lockwasher, 1/4"
14	578253	1	Rear Panel Weld Assembly
			6 87887 Self-Tapping Screw, 5/16" x 3/4"
			7 87872 Cap Screw, Hex Head, Grade 5, 5/16" x 3/4"
			6 80664 Washer, 5/16"
			7 80681 Lockwasher, 5/16"
			7 84943 Nut, 5/16"
15	578257	1	Panel
			10 87887 Self-Tapping Screw, 5/16" x 3/4"
			5 87872 Cap Screw, Hex Head, Grade 5, 5/16" x 3/4"
			10 80664 Washer, 5/16"
			15 80681 Lockwasher, 5/16"
			5 84943 Nut, 5/16"

+ These Parts replace standard parts on European machines only.

- (g) Used on and below Serial No. 440350 (1900); 469313 (2100)
- (h) Used on and above Serial No. 440351 (1900); 469314 (2100)
- (l) Used on and below Serial No. 521222 (1900); 469358 (2100)
- (m) Used on and above Serial No. 521223 (1900); 469359 (2100)

CONTINUED

MODEL 1900 AND 2100 HARVESTERS
STEERING COLUMN GROUP
(m) USED ON AND ABOVE SERIAL NO. 521223 (1900); 469359 (2100)

Ref. No.	Part No.	No. Used	Description
1	138305	1	Cap
2	850145	1	Steering Wheel (Includes Ref. No. 1)
3	84972	1	Jam Nut, 3/4"
4	600083	1	Washer, Special, 1.125" (28.5mm) OD
5	50600	AR	Washer, Special, 1.5" (38.1mm) OD
6	696389	1	Shaft, Steering Wheel
7	645235	1	Cover
			1 590860 Lockscrew, USR, 1/4" x 3/8"
8	9601009	1	Cover W.A.
			2 87824 Self-Tapping Screw, Hex Head, #10 x 3/8"
9	682361	1	Toggle Switch, Hazard Switch
12	773704	1	Channel W.A. (Includes Ref. No. 13)
13	136749	2	Bushing
14	773703	1	Channel, R.H.
			2 271288 Lockscrew, USR, 5/16" x 5/8"
15	134857	1	Grommet
16	646893	1	Wire Harness
18	773669	1	Channel W.A.
19	703270	1	Knob
			1 280503 Bolt, Round Head, Short Square Neck, Grade 5, 3/8" x 1"
			1 80702 Washer, 3/8"
20	689840	1	Flat, Serrated
21	795130	1	Flat
22	600122	1	Universal Joint, Double
			2 84064 Groove Pin, "A", 1/4" x 1 3/4"
			1 139842 Spider Bearing
23	683560	1	Cover
			2 280449 Self-Tapping Screw, Phillips Head, #10 x 3/8"
24	591317	1	Clamp
			1 60485 Machine Screw, Truss Head, #10 x 3/4"
			1 80427 Lockwasher, #10
			1 87304 Nut, #10
25	134579	1	"J" Clamp
			1 145913 Lockscrew, USR, 5/16" x 3/4"
			1 145458 Locknut, USR, 5/16"
26	785766	1	Boot
27	696361	1	Baffle
28	689903	1	Stop
			1 145913 Lockscrew, USR, 5/16" x 3/4"
			1 145458 Locknut, USR, 5/16"
29	689582	1	Steering Pivot
			1 87414 Lube Fitting, 1/4"-28
			4 88434 Cap Screw, Hex Head, Grade 5, 3/8" x 3/4"
			4 80680 Lockwasher, 3/8"
30	690245	1	Rod
			2 29790 Hub Bolt Nut
			AR 80700 Washer, 1/2"
			2 80679 Lockwasher, 1/2"
			2 280963 Nut, 1/2" UNF
31	00016	1	Spring
32	773964	1	Lever W.A. (Includes Ref. No. 33)
33	25501	1	Bushing
34	773961	1	Pin W.A.
			1 80700 Washer, 1/2"
			1 87395 Cotter Pin, 1/8" x 1 1/4"
			1 255918 Lockscrew, USR, 3/8" x 3/4"
			1 247780 Locknut, USR, 3/8"

AR - As Required

CONTINUED

MODEL 1900 AND 2100 HARVESTERS
INSTRUMENT PANEL GROUP

Ref. No.	Part No.	No. Used	Description
1	637636	1	Panel Weld Assembly
	+ 634217	1	Panel Weld Assembly
			3 84896 Machine Screw, Truss Head, 5/16" x 3/4"
			3 80681 Lockwasher, 5/16"
2	794084	1	Flasher Switch --- Replaces 264142
3	261910	(l) 5 (m) 4	Indicator Light Assembly AR 271431 Red Bulb #1895R
4	(l) 578180	1	Tachometer
	(m) 859483	1	Tachometer
5	621586	1	Ignition Switch (Includes Ref. No. 6)
6	167334	1	Key (Set of 2)
7	682360	1	Rocker Switch, Powered Rear Axle
	618118	1	Cap Plug
8	(l) 608895	1	Wire Harness with Resistor
	*(m) 9601041	1	Wire Harness with Resistor
9	614901	1	Wire Harness, Gauge Lights
10	214045	4	Light Bulb, Trade No. 57, Purchase Locally - Replaces 527525
11	613630	1	Water Temperature Gauge
12	613634	1	Fuel Gauge
13	613635	1	Voltmeter
14	613632	1	Oil Pressure Gauge
15	(l) 602055	1	Wire Harness, Dash --- Replaces 637647
	(m) 9601046	1	Wire Harness, Dash
	+ 636627	1	Wire Harness, Dash
16	768120	1	Circuit Breaker, 20 AMP
17	768106	1	Circuit Breaker, 6 AMP
18	768115	1	Circuit Breaker, 15 AMP
19	258985	1	Grommet, Cut to Length
20	+ 243461	1	Relay Switch
			2 88542 Cap Screw, Hex Head, 1/4" x 1/2"
			2 80682 Lockwasher, 1/4"
			2 84942 Nut, 1/4"
21	+ 323116	1	Light Switch
22	+ 334908	1	Blue Indicator Light
23	+ 377009	1	Flasher Unit
			1 88542 Cap Screw, Hex Head, 1/4" x 1/2"
			1 80682 Lockwasher, 1/4"
			1 84942 Nut, 1/4"
24	+ 336096	1	Turn Signal Switch
25	+ 637406	1	Wire Harness, Switches to Fuse Block
26	+ 334686	2	Fuse Block, Mounts on Stand (Includes 5-336851 Fuses, 8 AMP)
27	+ 354258	1	Fuse Holder
28	*(m) 768799	1	Indicator Lamp
29	N.S. (m) 616063	1	Wire
30	N.S. (m) 268604	1	Wire

AR - As Required

+ Used only on European Models

* NOTE: Part of 9601689 (1900) and 9601690 (2100) Bosch Alternator Conversion Kit

(l) Used on and Below Serial No. 521222 (1900); 469358 (2100)

(m) Used on and Above Serial No. 521223 (1900); 469359 (2100)

N.S. - Not Stocked; Wire Assemblies are shown for the purpose of reference and identification only and are not available from the Ford New Holland Service Parts System. For field repairs or replacement, we suggest you fabricate locally using catalog description as a guide.

MODEL 1900 AND 2100 HARVESTERS
TRANSMISSION ASSEMBLY
DRIVE GEAR GROUP

Ref. No.	Part No.	No. Used	Description
1	100016	8	Nut, 10mm --- Replaces 580000
2	430661	1	Bearing Flange
3	394468	1	Gasket
4	791328	2	Ball Bearing --- Replaces 423273
5	384259	1	Gear
6	394361	1	Bushing
7	430513	1	Gear, 24T
8	394359	1	Bushing
9	430517	1	Gear, 33T
10	384262	1	Gear, 44T
11	423362	1	Ball Bearing
12	150006	1	Drain Plug
13	381934	1	Flange
14	382225	1	Gasket
15	210048	1	Ball Bearing
16	395963	1	Gear, 23T
17	388116	2	Seal Ring
18	750847	1	Flange --- Replaces 423475
19	382226	1	Gasket
20	322365	1	Roller Bearing
21	430514	1	Gear Shaft
22	396121	1	Bearing Housing
23	379674	1	Gear, 47T
24	396137	1	Needle Bearing
25	436357	1	Coupler Ring
26	396120	1	Drive Collar
27	430515	1	Gear, 37T
28	396136	1	Needle Bearing
29	396118	1	Bushing
30	396117	1	Washer
31	430516	1	Gear, 28T
32	396135	1	Needle Bearing
33	394028	1	Bushing
34	423763	1	Coupler Ring
35	396116	1	Drive Collar
36	234569	1	Retaining Ring
37	381827	1	Washer
38	381828	1	Gear, 17T
39	394027	1	Needle Bearing
40	381826	1	Washer
41	397636	1	Cover
42	397635	1	Gasket
43	394362	1	Bushing
44	396115	1	Shaft
45	713346	AR	Shim, .015" (.38mm)
46	430964	1	Bushing
47	140045	4	Lockwasher, External Tooth, 10mm
48	220025	1	Washer
49	42543	1	Ball Bearing
50	163234	AR	Shim, .010" (.25mm)
51	430435	1	Adaptor, Hydrostatic Motor
52	430801	1	Gasket

AR - As Required

MODEL 1900 AND 2100 HARVESTERS
HYDROSTATIC MOTOR MOUNTING AND DUMP VALVE CONTROL

Ref. No.	Part No.	No. Used	Description
1	(c)609863	1	Hydrostatic Motor, Sunstrand (Refer to Separate Breakdown)
	(d)769158	1	Hydrostatic Motor, Eaton (Refer to Separate Breakdown)
		4	337563 Cap Screw, Hex Head, Grade 5, 12mm x 40mm
		4	65319 Special Washer --- Replaces 58102
		4	80679 Lockwasher, 1/2"
4	696665 = Form	1	Coupling --- Replaces 618351 = 90mm #
5	34163	1	Snap Ring
6	430801	1	Gasket
7	430435	1	Housing
8	(g)269298	1	Block Weld Assembly
		1	88428 Cap Screw, Hex Head, Grade 5, 3/8" x 1 3/4"
		1	80680 Lockwasher, 3/8"
		1	84944 Nut, 3/8"
9	216275	1	Pin
10	(g)242789	1	Bar Weld Assembly
11	(g)145296	1	Pin
		2	80755 Cotter Pin, 1/8" x 1"
12	(g) 13400	2	Washer
13	(g)132452	2	Spacer
14	76877	1	Clevis Pin
		1	80755 Cotter Pin, 1/8" x 1"
15	(k) 64263	2	Washer, Special
	(k) 80700	2	Washer, 1/2"
16	(k)717002	1	Clevis Weld Assembly
17	(k)527653	1	Cable Assembly
		2	87825 Nut, #10 UNF
18	(k)252154	1	Clevis Weld Assembly
19	(k)200731	1	Clevis Pin
		1	280250 Cotter Pin, 3/32" x 3/4"
20	(k)578324	1	Pedal Weld Assembly
21	(k)578318	1	Pin
		2	80755 Cotter Pin, 1/8" x 1"
22	(k)578319	1	Pedal Support
		2	88434 Cap Screw, Hex Head, Grade 5, 3/8" x 3/4"
		2	80680 Lockwasher, 3/8"
23	(k) 00015	1	Spring
24	(k)237910	1	Clamp
		1	88573 Cap Screw, Hex Head, Grade 5, 1/4" x 3/4"
		1	87362 Washer, 1/4", SAE
		1	80682 Lockwasher, 1/4"
		1	84942 Nut, 1/4"
25	(k)(h)639447	1	Pivot Lever
26	(k)(h)639449	1	Pivot Support
		1	80446 Set Screw, Sq. Head, Knurled Point, 3/8" x 1"
		1	84969 Jam Nut, 3/8"
27	(k)(h) 25847	1	Clevis Pin
		1	80755 Cotter Pin, 1/8" x 1"
28	(k)(h)216275	1	Pin

(c) Used on and below Serial No. 440220 (Domestic 1900); 453215 (European 1900)

(c) Used on and below Serial No. 404680 (Domestic 2100); 459085 (European 2100)

(d) Used on and above Serial No. 440221 (Domestic 1900); 453216 (European 1900)

(d) Used on and above Serial No. 404681 (Domestic 2100); 459086 (European 2100)

(g) Used on and below Serial No. 440350 (1900); 469313 (2100)

(h) Used on and above Serial No. 440351 (1900); 469314 (2100)

(k) Used on and below Serial No. 440434 (1900) and all 2100's

* if problems with diff Form - according N. Jumber NOT a problem
use 633247 = 205 long and cut off to go
bolt prevents slipping of part to left or right **173**

CLICK HERE TO **DOWNLOAD** THE COMPLETE MANUAL

- Thank you very much for reading the preview of the manual.
- You can download the complete manual from: www.heydownloads.com by clicking the link below



- Please note: If there is no response to CLICKING the link, please download this PDF first and then click on it.

CLICK HERE TO **DOWNLOAD** THE COMPLETE MANUAL

MODEL 2100 HARVESTER
HYDROSTATIC LINES GROUP (CONTINUED)

Ref. No.	Part No.	No. Used	Description
66	700514	3	Clamp, 15/16" (24mm)
67	144059	1	Clip
68	604896	2	Clamp, 3/8" (9.5mm)
69	39644	1	Angle
70	701318	1 or 3	Clamp, 1 1/4" (32mm)
			3 88206 Cap Screw, Hex Head, Grade 5, 3/8" x 1"
			2 80702 Washer, 3/8"
			2 80680 Lockwasher, 3/8"
			2 84944 Nut, 3/8"
71	600427	2	Clamp, 1" x 2" (25mm x 50mm)
72	676316	1	Clamp
			2 88436 Cap Screw, Hex Head, Grade 5, 3/8" x 2"
			2 80702 Washer, 3/8"
			2 80680 Lockwasher, 3/8"
			2 84944 Nut, 3/8"

MODEL 1900 AND 2100 HARVESTERS
EATON HYDROSTATIC PUMP (#769157)

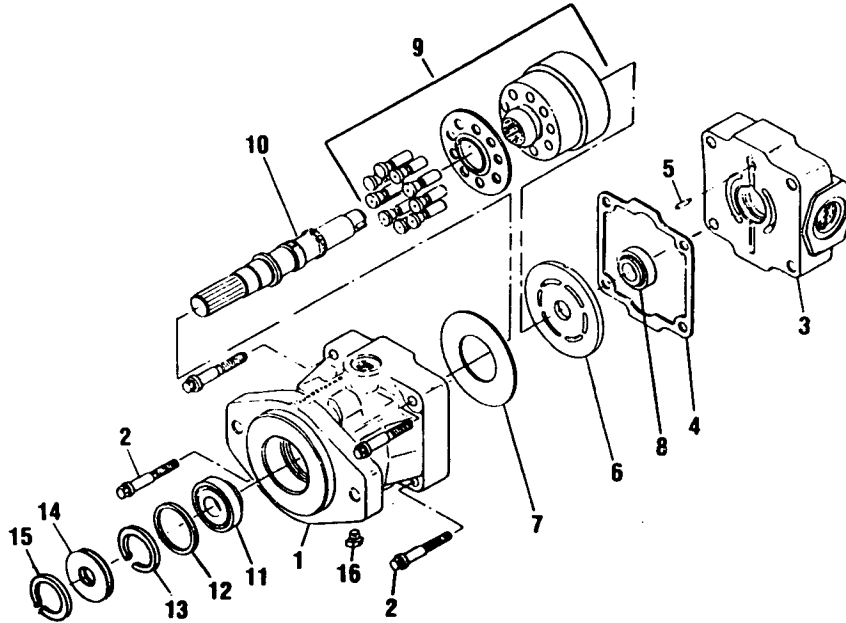
Ref. No.	Part No.	No. Used	Description
	769157	1	Motor Assembly, Eaton #005420-150
1	N.S.S.	1	Housing
2	277039	1	Plug, Hex Socket Head, Includes "0" Ring
3	165202	2	"0" Ring
4	248981	1	Plug, Hex Head, Includes "0" Ring
5	277041	2	Trunnion 6 88252 Cap Screw, Hex Head, 7/16" x 7/8"
6	277040	1	Trunnion Shim Kit
7	221806	4	"0" Ring
8	280651	7	Dowel Pin, 5/16" x 7/8"
9	* 276973	1	Rotating Group (Includes Ref. No. 10)
10	276981	1	Bearing Plate
11	277048	1	Valve Plate
12	277049	1	Thrust Plate
13	277045	1	Variable Swash Plate
14	277046	2	Bearing Kit
15	277050	1	Drive Shaft
16	276994	1	Bearing Kit
17	277052	1	Mounting Flange 12 60472 Cap Screw, Hex Head, 7/16" x 1 1/4"
18	277051	1	Flange Gasket
19	* 276960	1	Shaft Seal Kit (Includes Ref. Nos. 20, 21, 22)
20	276986	1	"0" Ring
21	612641	1	"0" Ring
22	511212	2	"0" Ring
23	214878	1	Bearing Kit --- Replaces 276978
24	276977	1	Shim Kit for Bearing
25	277037	1	End Cover 2 280117 Cap Screw, Hex Head, 7/16" x 2" 6 87181 Cap Screw, Hex head, 7/16" x 3"
26	276979	1	Gasket, End Cover
27	277028	2	Check Valve Assembly (Includes Ref. Nos. 28 and 29)
28	229317	2	"0" Ring
29	277036	2	Back-up Ring
30	769159	1	Charge Pump (Refer to Separate Breakdown)--- Replaces 676922 4 280444 Cap Screw, Hex Head, 5/16" x 3 3/4"
31	277033	1	Gasket, Charge Pump
32	* 277034	2	Sleeve Kit (Includes Ref. Nos. 7 and 33)
33	511526	2	"0" Ring
34	* 277035	2	Servo Assembly
35	277038	2	Servo Retainer 6 280652 Socket Head, Cap Screw, #8 x 3/8"
36	277042	2	Pin, Servo Link
37	277043	4	Retaining Ring
38	676921	1	Control Valve Assembly (Refer to Separate Breakdown) 4 88543 Cap Screw, Hex Head, 5/16" x 1" 2 88310 Cap Screw, Hex Head, 5/16" x 1 3/4"
39	277030	1	Gasket, Control Valve
40	277047	1	Link, Valve to Swash Plate
41	277019	1	Pin, Valve Link
42	277025	2	Retaining Ring

* These items are serviced as complete assemblies, only those items listed are available separately.

N.S.S. - Not Serviced Separately

NOTES

MODEL 1900 AND 2100 HARVESTERS
 611791 MOTOR ASSEMBLY
 (h) USED ON AND ABOVE SERIAL NO. 440351 (1900)
 (h) USED ON AND ABOVE SERIAL NO. 469314 (2100)



Ref. No.	Part No.	No. Used	Description
	611791	1	Motor Assembly
1	274664	1	Housing
2	280485	4	Cap Screw, Socket Head, 7/16" x 2 1/2"
3	274662	4	End Cap
4	274661	1	Gasket
5	88251	1	Dowel Pin
6	272948	1	Valve Plate
7	272949	1	Thrust Plate
8	179080	1	Bearing Assembly
9	279925	1	Cylinder Block Kit, No Component Parts Available Separately
10	274663	1	Shaft
11	132709	1	Bearing Cup
	132710	1	Bearing Cone
12	274667	1	Washer
13	274665	1	Retaining Ring
14	272994	1	Seal Lip
15	274666	1	Retaining Ring
16	214389	1	Plug
	1	1	128825 "0" Ring

MODEL 1900 HARVESTER
ENGINE AND ENGINE ELECTRICAL GROUP (CONTINUED)

Ref. No.	Part No.	No. Used	Description
17	167381	1	Spacer
18	64263	AR	Washer
19	619015	1	Spacer
20	252655	1	Spacer
21	616472	1	Bracket, Compressor or Idler Mount
22	616474	1	Angle
			1 88551 Cap Screw, Hex Head, Grade 5, 1/2" x 1 3/4"
			1 65319 Washer, Hardened
			1 80679 Lockwasher, 1/2"
23	167381	1	Spacer
24	++ 629063 -	1	Idler Pulley Assembly - <i>Bearing: 704788</i>
	+ 618606	1	Air Conditioner Compressor
			6 88206 Cap Screw, Hex Head, Grade 5, 3/8" x 1"
			6 80702 Washer, 3/8"
			6 80680 Lockwasher, 3/8"
	+ 603441	1	Magnetic Clutch
25	+ 630406	1	Belt Set, 78" (1981mm) Effective Length
	++ 616476	1	Belt Set, 80" (2032mm) Effective Length
26	+ 629064	1	Fan Mount and Pulley Assembly
	++ 641508 -	1	Fan Mount and Pulley Assembly
			4 87670 Cap Screw, Hex Head, Grade 5, 1/2" x 1 1/4"
			4 80679 Lockwasher, 1/2"
27	714094 -	1	Fan
			6 88044 Cap Screw, Hex Head, Grade 5, 3/8" x 1 1/4"
			6 80680 Lockwasher, 3/8"
			6 84944 Nut, 3/8"
28	607098	1	Cover
			4 145913 Lockscrew, USR, 5/16" x 3/4"
			4 145458 Locknut, USR, 5/16"
29	613396	1	Support Channel
			4 87872 Cap Screw, Hex Head, Grade 5, 5/16" x 3/4"
			4 80681 Lockwasher, 5/16"
			4 84943 Nut, 5/16"
30	9601073	1	Relay, Solenoid --- Replaces 182362
			2 88573 Cap Screw, Hex Head, Grade 5, 1/4" x 3/4"
			2 80682 Lockwasher, 1/4"
			2 84942 Nut, 1/4"
31	767893	1	Circuit Breaker, 30 AMP
	768120	3	Circuit Breaker, 20 AMP
	768115	1	Circuit Breaker, 15 AMP
			10 84821 Machine Screw, Truss Head, #10 x 1/2"
			10 523310 Flanged Nut, #10
32	* 602052	1	Wire Assembly, Starter to Breaker, #6, 24" (610mm) Long
	* 602050	4	Wire Assembly, Breaker to Breaker, #8, 6" (152mm) Long
	* 602041	1	Wire Assembly, A/C Relay to Breaker, #10, 8" (203mm) Long
	* 602040	1	Wire Assembly, Starter to A/C Relay, #16, 5" (127mm) Long
	* 621615	1	Wire Assembly, Starter to Glow Plug Relay, #8, 24" (610mm) Long
	* 602043	1	Wire Assembly, A/C Relay to Clutch, #12, 4" (102mm) Long
	* 602039	1	Wire Assembly, A/C Relay to Pressure Switch, #14, 4" (102mm) Long

AR - As Required

+ Not used on European Machines

++ Used on European Machines

* Wire Assemblies are shown for the purpose of reference and identification only and are not available from the Ford New Holland Service Parts System. For field repairs or replacement, we suggest you fabricate locally using catalog description as a guide.

CONTINUED

MODEL 2100 HARVESTER
ENGINE AND ENGINE ELECTRICAL GROUP

Ref. No.	Part No.	No. Used	Description
1	(g) 572374	1	Engine Assembly, Caterpillar 3406 DIT, Arrangement 9E500
	(h) 785209	1	Engine Assembly, Caterpillar 3406 DIT, Arrangement 9E1821
			4 88494 Cap Screw, Hex Head, Grade 5, 5/8" x 1 3/4"
			4 88556 Cap Screw, Hex Head, Grade 5, 5/8" x 2 1/4"
			2 88679 Cap Screw, Hex Head, Grade 5, 3/4" x 2 1/2"
			+2 87403 Cap Screw, Hex Head, Grade 5, 3/4" x 2 1/4"
			+4 677227 Special Cap Screw, 5/8" x 2"
			+4 677228 Special Cap Screw, 5/8" x 2 1/2"
			8 84057 Lockwasher, 5/8"
			2 87340 Lockwasher, 3/4"
			2 280375 Locknut, 3/4"
			+AR N.S. Lockwire
2	632841	1	Sensor, Tachometer, 5/8"-18 Thread, with Lead Wires
4	(l) 787128	1	Oil Pressure Sender, Connected to Pressure Gauge
			1 87916 Hex Bushing, 1/8" x 3/8"
5	(l) 217456	1	Oil Pressure Sender, Connected to Bell
			1 87916 Hex Bushing, 1/8" x 3/8"
6	687576	1	Water Temperature Switch, Connected to Warning Bell
7	592017	1	Water Temperature Sender, Connected to Temperature Gauge
8	128804	1	Street Elbow, 1"
9	280121	1	Hex Bushing, 1" x 1/2"
10	280116	1	Nipple, 1/2" x 4 1/2" (114mm)
11	88837	1	Pipe Coupling, 1/2"
12	84296	1	Pipe Plug, 1/2"
13	9601690 9601640	1	Alternator Conversion Kit, Bosch --- Replaces 612140
	++ 920483	1	Alternator
			1 88444 Cap Screw, Hex Head, Grade 5, 3/8" x 2 3/4"
			1 120161 Cap Screw, Hex Head, Grade 5, 8mm x 25mm
			(l) 1 252687 Special Washer, 5/16" (8mm) ID
			1 80680 Lockwasher, 3/8"
			(l) 1 80681 Lockwasher, 5/16"
			1 84944 Nut, 3/8"
			(l) 1 100014 Nut, 6mm
			(m) 1 87626 Cap Screw, Hex Head, Grade 5, 5/16" x 2 3/4"
			(m) 1 597562 Washer
			(m) 1 275035 Spacer
			(m) 1 88549 Cap Screw, Hex Head, Grade 5, 3/8" x 5 1/2"
			++(m) 1 222162 Spacer
			++(m) 1 9613918 Spacer
14	(l) 717394	1	Sheave
	++(m) 858903	1	Sheave
15	(l) 259346	1	"V" Belt
	++(m) 858900	1	"V" Belt
16	(l) 717456	1	Adjusting Arm Weld Assembly
	++(m) 858895	1	Adjusting Arm Weld Assembly
			1 280284 Cap Screw, Hex Head, Grade 5, 3/8" x 7"
			1 80680 Lockwasher, 3/8"

AR - As Required

N.S. - Not Stocked

+ These Parts Replace Standard Parts on European Models Only

++ Part of 9601640 Bosch Alternator Conversion Kit

(g) Used on and below Serial No. 469313

(h) Used on and above Serial No. 469314

(l) Used on and below Serial No. 521222 (1900); 469358 (2100)

(m) Used on and above Serial No. 521223 (1900); 469359 (2100)

CONTINUED

MODEL 2100 HARVESTER
RADIATOR GROUP

Ref. No.	Part No.	No. Used	Description
1	(c)575745	1	Radiator Cover Weld Assembly
	(d)637134	1	Radiator Cover Weld Assembly
			14 88434 Cap Screw, Hex Head, Grade 5, 3/8" x 3/4"
			14 80680 Lockwasher, 3/8"
			14 84944 Nut, 3/8"
2	575621	1	Support Weld Assembly, Left Hand
			3 88062 Cap Screw, Hex Head, Grade 5, 5/8" x 1 1/2"
			1 280319 Cap Screw, Hex Head, Grade 5, 5/8" x 1 1/4"
			4 84057 Lockwasher, 5/8"
4	576921	2	Angle
			4 87872 Cap Screw, Hex Head, Grade 5, 5/16" x 3/4"
			4 80664 Washer, 5/16"
			4 80681 Lockwasher, 5/16"
			4 84943 Nut, 5/16"
5	576920	2	Bumper
			4 87256 Machine Screw, Truss Head, 5/16" x 1"
			4 280736 Locknut, Grade C, 5/16"
6	575638	2	Screen Weld Assembly
7	633975	AR	Seal Strip, Door, 120" (3048mm) Long
8	110310	4	Wing Nut
9	88223	3	Plug Button
10	633973	AR	Seal Strip, 1" x 1" x 40" (25mm x 25mm x 1016mm)
	633974	AR	Seal Strip, 1" x 1 1/2" x 42" (25mm x 38mm x 1067mm)
	247267	AR	Seal Strip, 5/8" x 5/8" x 87" (16mm x 16mm x 2210mm)
11	606926	1	Cover Weld Assembly
			11 88574 Cap Screw, Hex Head, Grade 5, 5/16" x 1/2"
			11 80664 Lockwasher, 5/16"
			11 84943 Nut, 5/16"
12	719665	1	Hanger
			1 80681 Lockwasher, 5/16"
			2 84943 Nut, 5/16"
13	575644	1	Screen Weld Assembly
14	258985	AR	Grommet, 28" (711mm) Cut to Length
15	606831	1	Cover Weld Assembly
			14 145913 Lockscrew, USR, 5/16" x 3/4"
16	575622	1	Support Weld Assembly, Right Hand
			3 88062 Cap Screw, Hex Head, Grade 5, 5/8" x 1 1/2"
			1 280319 Cap Screw, Hex Head, Grade 5, 5/8" x 1 1/4"
			4 84057 Lockwasher, 5/8"
17	* 626535	1	Radiator (Includes Ref. Nos. 18 and 19) --- Replaces 572723
			10 88206 Cap Screw, Hex Head, Grade 5, 3/8" x 1"
			10 80680 Lockwasher, 3/8"
			10 84944 Nut, 3/8"
18	627173	1	Fan Shroud --- Replaces 708997
			8 88146 Cap Screw, Hex Head, Grade 5, 1/4" x 1"
			8 80702 Washer, 1/4"
			8 80682 Lockwasher, 1/4"
19	163361	1	Cap
20	76904	1	Drain Cock
21	* 513307	2	Clamp
22	* 621755	1	Hose
23	* 13682	1	Hub

AR - As Required

* Ref. Nos. 21, 22, and 23 are not used with some production Radiators. However they are required with all 626535 Service Parts Radiators.

(c) Used on and below Serial No. 404680 (Domestic 2100); 459085 (European 2100)

(d) Used on and above Serial No. 404681 (Domestic 2100); 459086 (European 2100)

CONTINUED

MODEL 1900 AND 2100 HARVESTERS
LADDER AND LEFT FRONT SHIELDING GROUP (CONTINUED)

Ref. No.	Part No.	No. Used		Description
		1900	2100	
13	703454	1	1	Hinge 4 280503 Bolt, Rd. Hd., Short Sq Neck, Gr. 5, 3/8" x 1" 4 80702 Washer, 3/8" 4 80680 Lockwasher, 3/8" 4 84944 Nut, 3/8"
14	604684	1	1	Door Weld Assembly
15	578539	2	2	Clip 2 88146 Cap Screw, Hex Head, Grade 5, 1/4" x 1" AR 80701 Washer, 1/4" 2 523282 Locknut, USR, 1/4"
16	620312	1	1	Shield 2 523291 Lockscrew, USR, 1/4" x 1/2" 2 523282 Locknut, USR, 1/4"
17	623239	1	1	Top Cover 2 523292 Lockscrew, USR, 1/4" x 3/4" 2 523282 Locknut, USR, 1/4"
18	604850 854111	1	1	Cover Weld Assembly Cover Weld Assembly 1 80756 Cotter Pin, 1/8" x 3/4"
19	574661		AR	Grommet
20	629156	1	1	Platform and Rail Weld Assembly 5 88206 Cap Screw, Hex Head, Grade 5, 3/8" x 1" 2 87670 Cap Screw, Hex Head, Grade 5, 1/2" x 1 1/4" 1 88707 Bolt, Rd Hd, Sh Sq Neck, Gr 5, 1/2" x 1 1/4" 10 80702 Washer, 3/8" 2 80700 Washer, 1/2" 5 80680 Lockwasher, 3/8" 3 80679 Lockwasher, 1/2" 5 84944 Nut, 3/8" 3 280431 Nut, Grade 5, 1/2"
21	629153	1	1	Brace 2 87630 Cap Screw, Hex Head, Grade 5, 5/8" x 2 1/2" 14 80299 Washer, 5/8" 2 84057 Lockwasher, 5/8" 2 84947 Nut, 5/8"
22	121536	2		Spacer --- Replaces 630644 2 88547 Cap Screw, Hex Head, Grade 5, 3/8" x 4" 4 87016 Washer, 3/8" 2 80680 Lockwasher, 3/8" 2 84944 Nut, 3/8"
23	80756	1	1	Pin, 1/8" x 3/4"
24	638745	1	1	Bracket 2 523291 Lockscrew, USR, 1/4" x 1/2" 2 523282 Locknut, USR, 1/4"
NOTE: Ref Nos. 25 thru 33 (except 32) are used only on European Machines				
25	638753	1		Cover, 22 5/8" (575mm) Long
	640651		1	Cover, 20 5/8" (524mm) Long 3 145913 Lockscrew, USR, 5/16" x 3/4" 3 145458 Locknut, USR, 5/16"
26	638748	1	1	Flexible Cover
27	638746	1	1	Reinforcement 3 88146 Cap Screw, Hex Head, Grade 5, 1/4" x 1" 3 80701 Washer, 1/4" 3 80682 Lockwasher, 1/4" 3 84942 Nut, 1/4"

AR - As Required

CONTINUED

MODEL 1900 HARVESTER
 ROTARY SCREEN GROUP

Ref. No.	Part No.	No. Used	Description
1	855375	1	Brace Weld Assembly 8 256873 Lockscrew, USR, 5/16" x 1/2" 8 145458 Locknut, USR, 5/16" 1 707851 Cap Screw, Special 1 80702 Washer, 3/8"
2	855376	1	Fan Weld Assembly 16 523291 Lockscrew, USR, 1/4" x 1/2" 16 523282 Locknut, USR, 1/4"
3	855173	1	Door Weld Assembly
4	786117	AR	Seal Strip
5	713773	2	Pin 4 80756 Cotter Pin, 1/8" x 3/4"
6	855180	2	Hinge 4 280327 Carriage Bolt, Grade 5, 5/16" x 3/4" 4 145458 Locknut, USR, 5/16"
7	855179	2	Angle 4 280494 Machine Screw, Round Head, #10 x 3/4" AR 80707 Washer, #10 4 80684 Lockwasher, #10 4 87304 Nut, #10
8	857175	1	Plate
9	63263	2	Locking Collar
10	142694	4	Flangette 6 280324 Carriage Bolt, Grade 5, 5/16" x 3/4" 6 145458 Locknut, USR, 5/16"
11	146077	2	Ball Bearing
12	855197	1	Support Weld Assembly
13	772206	1	Angle Weld Assembly 2 280428 Carriage Bolt, Grade 5, 5/16" x 1" 2 145458 Locknut, USR, 5/16"
14	772205	1	End Weld Assembly 4 145913 Lockscrew, USR, 5/16" x 3/4"
15	645152	1	Strip
16	645151	1	Seal 5 523292 Lockscrew, USR, 1/4" x 3/4"
17	645156	1	Strip
18	855188	1	Pan Weld Assembly 2 280428 Carriage Bolt, Grade 5, 5/16" x 1" 2 145458 Locknut, USR, 5/16"
19	855164	2	Seal
20	855165	2	Strip 8 523292 Lockscrew, USR, 1/4" x 3/4" 8 523282 Locknut, USR, 1/4"
21	645155	1	Seal
22	645156	2	Strip 6 523292 Lockscrew, USR, 1/4" x 3/4" 6 523282 Locknut, USR, 1/4"
23	857187	1	End
24	855194	1	Angle Weld Assembly
25	247878	2	Pivot Pin 4 88573 Cap Screw, Hex Head, Grade 5, 1/4" x 3/4" 4 87361 Washer, 1/4" 4 80682 Lockwasher, 1/4" 4 84942 Nut, 1/4" 4 84943 Nut, 5/16"
26	607079	1	Clamp Band 1 87716 Cap Screw, Hex Head, Grade 5, 1/4" x 1 1/4" 1 280129 Locknut, Grade C, 1/4"

AR - As Required

CONTINUED

MODEL 1900 AND 2100 HARVESTERS
HYDRAULIC CONTROL VALVE

Ref. No.	Part No.	No. Used	Description
	768468		Valve Assembly, Two Spool --- Replaces 637630
1	274922	1	End Cover
2	511356	6	Section Seal, Small
3	274727	6	Section Seal, Large
4	274923	1	Header Lift, Spool and Housing Assembly 1 527303 Spool Seal Kit
5	527293	3	Retainer Washer
6	274856	2	Check Plug Assembly 2 274857 Seal Kit
7	527304	2	Seal Retainer Kit
8	(g)527305	1	Positioner Replacement Kit
9	274928	1	Spout Control Housing Assembly, Includes Solenoid 1 527303 Spool Seal Kit
10	274917	1	Activator Replacement Kit 1 274915 Seal Kit
11	274918	2	Solenoid Assembly 2 274916 Seal Kit 2 274924 Coil
12	274926	1	Fitting, Adjustable
13	274925	1	Fitting, Non-adjustable
14	274858	2	Check Plug Assembly 2 527307 Seal Kit
15	274929	1	Inlet Cover
16	274927	1	Relief Valve Assembly 1 274921 Seal Kit
17	274919	1	Stud Kit, for 2 Spool Valve
18	(h)768321	1	Bracket
19	(h)768322	1	Pin Link 2 277690 Cotter Pin
20	(h)768323	1	Pin Link Plate

(g) Used on and below Serial No. 440350 (1900); 469313 (2100)

(h) Used on and above Serial No. 440351 (1900); 469314 (2100)

MODEL 1900 AND 2100 HARVESTERS
CAB ASSEMBLY

Ref. No.	Part No.	No. Used	Description
1	711770	1	Cab Weld Assembly 12 87872 Cap Screw, Hex Head, Grade 5, 5/16" x 3/4" 12 80681 Lockwasher, 5/16" 12 84943 Nut, 5/16"
2	285412	1	Plug Button, for 7/8" (22.2mm) Hole
	715084	1	Plug Button, for 3/4" (19mm) Hole
	610662	1	Plug Button, for 5/8" (15.9mm) Hole
3	258985	2	Grommet, 28" (711mm) Cut to Length Required
4	628464	1	Cover 1 280449 Self-Tapping Screw, #10 x 3/8"
5	625029	1	Cover 2 590860 Lockscrew, USR, 1/4" x 1/2"
6	618984	1	Clamp 4 135270 Machine Screw, Truss Head, 5/16" x 3/4" 4 87362 Washer, 5/16" 4 80681 Lockwasher, 5/16" 4 84943 Nut, 5/16"
7	698566	1	Floor Mat --- Replaces 702968
8	613953	1	Retainer, Side 1 88543 Cap Screw, Hex Head, Grade 5, 5/16" x 1" 2 87657 Cap Screw, Hex Head, Grade 5, 5/16" x 1 1/4" 3 80681 Lockwasher, 5/16" 3 84943 Nut, 5/16"
9	719861	1	Retainer, Front 6 87657 Cap Screw, Hex Head, Grade 5, 5/16" x 1 1/4" 6 80681 Lockwasher, 5/16" 6 84943 Nut, 5/16"
10	262844	8	Spacer
11	613707	1	Strip, Front, Top
12	613708	1	Clamp, Windshield 9 145913 Lockscrew, USR, 5/16" x 3/4"
13	134703	AR	Molding, Glass Filler Strip, 216" (5486mm) Long
14	134704	AR	Molding, Glass Setting, 216" (5486mm) Long
15	618977	1	Cover Weld Assembly, RH
	618976	1	Cover Weld Assembly, LH (Not Illustrated)
16	614320	1	Angle Weld Assembly, RH
	614322	1	Angle Weld Assembly, LH (Not Illustrated)
17	620632	2	Strip 12 280112 Cap Screw, Hex Head, Grade 5, 1/4" x 1 1/2" 12 280129 Locknut, Grade C, 1/4" 12 620020 Cap Nut, 1/4"
18	238066	2	Spacer
19	227853	1	Horn
20	715078	2	Rod Weld Assembly 2 88206 Cap Screw, Hex Head, Grade 5, 3/8" x 1" 2 80680 Lockwasher, 3/8" 2 84944 Nut, 3/8"
21	570297	2	Arm Weld Assembly 2 88044 Cap Screw, Hex Head, Grade 5, 3/8" x 1 1/2" 2 280295 Lockwasher, External Tooth, 3/8" 2 88902 Locknut, Grade C, 3/8"
22	289540	2	Mirror
23	715144	1	Shield, LH 3 280449 Self-Tapping Screw, #10 x 3/8"

AR - As Required

CONTINUED

MODEL 1900 AND 2100 HARVESTERS
AIR CONDITIONER GROUP

Ref. No.	Part No.	No. Used		Description
		1900	2100	
1	630406	1		Belt Set
	264557		1	V-Belt
2	603441	1	1	Magnetic Clutch, Includes Mounting Hardware
			4	N.S.S. Machine Bolt, Hex Head, with Washer, Spin Lock, 1/4" x 3/8"
			4	N.S.S. Cap Screw, Hex Hd, Nylon Lock, 5/16" x 1 1/8" UNF
			1	80681 Lockwasher, 5/16"
3	618606	1	1	Compressor Assembly
			4	88011 Cap Screw, Hex Head, Grade 5, 3/8" x 1 1/4"
			4	80702 Washer, 3/8"
			4	80680 Lockwasher, 3/8"
			1	764172 Shaft Seal Kit
			1	764173 Gasket, Kit
			1	764202 "0" Ring, Connector Valve
4	(i)576908		1	Channel (See Engine Assembly for 1900 Brackets)
	(j)786505		1	Channel
			3	88044 Cap Screw, Hex Head, Grade 5, 3/8" x 1 1/2"
			3	80702 Washer, 3/8"
			3	80680 Lockwasher, 3/8"
			3	84944 Nut, 3/8"
5	(i)576907		2	Spacer, 4 27/32" (123mm) Long
	(j)617925		2	Spacer, 1 1/2" (38.1mm) Long
			(i)2	88557 Cap Screw, Hex Head, Grade 5, 1/2" x 6 1/2"
			(j)2	280831 Cap Screw, Hex Head, Grade 5, 1/2" x 8"
			3	80700 Washer, 1/2"
			2	80679 Lockwasher, 1/2"
			2	280431 Nut, Grade 5, 1/2"
6	618670	2	2	"0" Ring
7	618671	3	3	"0" Ring
8	606892	1		Hose Assembly, Compressor to Evaporator Coil
	609569		1	Hose Assembly, Compressor to Evaporator Coil
9	771650	1		Hose Assembly, Condensor to Compressor
	678023		1	Hose Assembly, Condensor to Compressor --- Replaces 609567
10	136235	1	1	Grommet
11	604054	1	1	Condensor (Also See Radiator Group)
			4	88573 Cap Screw, Hex Head, 1/4" x 3/4"
			4	80701 Washer, 1/4"
			4	80682 Lockwasher, 1/4"
			4	84942 Nut, 1/4"
12	618672	5	5	"0" Ring
13	609570	1		Hose Assembly, Condensor to Dryer
	678024		1	Hose Assembly, Condensor to Dryer --- Replaces 609568
14	248091	1	1	Bracket
			2	88542 Cap Screw, Hex Head, Grade 5, 1/4" x 1/2"
			2	80682 Lockwasher, 1/4"
			2	84942 Nut, 1/4"
15	763787	1	1	Receiver Dehydrator --- Replaces 618491
16	513307	1	1	Clamp
17	613656		1	Switch, High Pressure - Requires Ref. No. 40
18	620774	1		Hose Assembly, Receiver Dehydrator to Evaporator Coil
	609570		1	Hose Assembly, Receiver Dehydrator to Evaporator Coil
19	274543	1	1	Tube Assembly (Includes (1) piece of Ref. No. 12)
20	274571	1	1	Expansion Valve

N.S.S. - Not Serviced Separately

(i) Used on and below Serial No. 469333 (2100)

(j) Used on and above Serial No. 469334 (2100)

CONTINUED

MODEL 1900 AND 2100 HARVESTERS
 OPTIONAL ADAPTER FOR MODEL 962 CORN HEAD

Ref. No.	Part No.	No. Used	Description
1	215685	1	Coupler Chain, #50-2 Roller Chain, 17 Total Pitches AR 25805 Roller Link
2	215680	1	Coupler Weld Assembly
3	58225	1	Washer, Special, .135" (3.4mm) 1 88434 Cap Screw, Hex Head, Grade 5, 3/8" x 3/4" 1 80680 Lockwasher, 3/8"
4	215687	1	Sleeve
5	215686	1	Pin
6	26981	1	Spring
7	40305	1	Washer
8	47067	4	Locking Collar
9	578189	4	Flangette 6 88206 Cap Screw, Hex Head, Grade 5, 3/8" x 1" 6 80680 Lockwasher, 3/8" 6 84944 Nut, 3/8"
10	47066	2	Bearing
11	618937	1	Shaft
12	618939	1	Sprocket Weld Assembly
13	238061	1	Washer, 3/16" (4.76mm) 1 88434 Cap Screw, Hex Head, Grade 5, 3/8" x 3/4" 1 80680 Lockwasher, 3/8"
14	619166	1	Shield 2 256873 Lockscrew, USR, 5/16" x 1/2" 4 145458 Locknut, USR, 5/16"
15	640104	1	Guide, Right Hand 2 280428 Carriage Bolt, Grade 5, 5/16" x 1" 2 88682 Carriage Bolt, Grade 5, 3/8" x 1" 2 80664 Washer, 5/16" 2 80702 Washer, 3/8" 2 80681 Lockwasher, 5/16" 2 80680 Lockwasher, 3/8" 2 84943 Nut, 5/16" 2 84944 Nut, 3/8"
16	640103	1	Guide, Left Hand 2 280428 Carriage Bolt, Grade 5, 5/16" x 1" 2 88682 Carriage Bolt, Grade 5, 3/8" x 1" 2 80664 Washer, 5/16" 2 80702 Washer, 3/8" 2 80681 Lockwasher, 5/16" 2 80680 Lockwasher, 3/8" 2 84943 Nut, 5/16" 2 84944 Nut, 3/8"
17	640105	2	Guide 2 88682 Carriage Bolt, Grade 5, 3/8" x 1" 2 80702 Washer, 3/8" 2 80680 Lockwasher, 3/8" 2 84944 Nut, 3/8"
18	621292	1	Floor, Right Hand
19	621291	1	Floor, Left Hand 2 280428 Carriage Bolt, Grade 5, 5/16" x 1" 2 80664 Washer, 5/16" 2 80681 Lockwasher, 5/16" 2 84943 Nut, 5/16"
20	706145	1	Frame Weld Assembly
21	640101	2	Extension

AR - As Required

CONTINUED

NOTES

MODEL 919S SICKLE BAR
REEL AND DRIVE GROUP

Ref. No.	Part No.	No. Used	Description
1	33004	AR	Washer, Special
2	*614498	1	Bushing
3	*619907	1	Sprocket Assembly, 88 Tooth (Includes Ref. No. 2)
4	*614682	1	Retainer
5	* 64263	AR	Washer, .060" Thick (1.52mm) --- Replaces 36253
	* 36823	AR	Shim, .015" Thick (.381mm)
6	*126758	10	Spring, Compression
		10	88456 Cap Screw, Hex Head, Grade 5, 3/8" x 3 3/4"
		10	34187 Washer, Special
7	*131491	10	Spacer
8	*122718	2	Friction Disc
9	*709595	1	Clutch Hub
		1	87569 Lube Fitting, 1/4"-28 x 7/8", Self-Tapping
10	*614501	1	Clutch Plate
11	*712262	1	Clutch Assembly (Includes Ref. Nos. 2 thru 10)
12	29840	2	Clutch Spring
13	29860	2	Clutch Pin
14	709601	1	Clutch Hub
15	267571	AR	Washer, .135" Thick (3.43mm)
	33112	AR	Washer, .060" Thick (1.52mm)
16	47067	2	Locking Collar
		2	80425 Set Screw, Hex Socket Head, 3/8"-16 x 3/8
17	47066	2	Bearing
18	138820	4	Bearing Housing
		3	88011 Cap Screw, Hex Head, Grade 5, 3/8" x 1 1/4"
		3	88206 Cap Screw, Hex Head, Grade 5, 3/8" x 1"
		6	80680 Lockwasher, 3/8"
		3	80702 Washer, 3/8"
19	695842	1	Shaft Weld Assembly --- Replaces 711152
		8	87909 Cap Screw, Hex Head, Grade 5, 1/2" x 1"
		8	80679 Lockwasher, 1/2"
20	711218	1	Plate Weld Assembly
		4	280626 Bolt, Special, 3/8" x 3"
		1	280135 Tap Bolt, Grade 5, 1/2" x 5"
		4	80702 Washer, 3/8"
		2	80700 Washer, 1/2"
		4	80680 Lockwasher, 3/8"
		1	280431 Nut, Grade 5, 1/2"
21	603221	12	Shim
22	711062	1	Cam Track Weld Assembly
		1	280646 Bolt, Short Square Head, 3/8" x 1 3/4"
		2	280503 Bolt, Short Square Head, Grade 5, 3/8" x 1"
		AR	80702 Washer, 3/8"
		3	80680 Lockwasher, 3/8"
		3	84944 Nut, 3/8"
		4	280486 Carriage Bolt, Grade 5, 3/8" x 1"
		4	80679 Lockwasher, 1/2"
		4	280431 Nut, Grade 5, 1/2"
23	711154	1	Reel Weld Assembly
24	602985	1	Plate Weld Assembly
		4	280626 Bolt, Special, 3/8" x 3"
		1	280135 Tap Bolt, Grade 5, 1/2" x 5"
		4	80702 Washer, 3/8"
		2	80700 Washer, 1/2"
		4	80680 Lockwasher, 3/8"
		1	280431 Nut, 1/2"

AR - As Required

* Used on and below Serial No. 423589 except on those units listed in the ** note which follows.

** Used on and above Serial No. 423590 and on the following units that were converted to the new style clutch: Serial Nos. 423536, 423547, 423548, 423552, 423553, 423567, 423568, 423569, 423570, 423571, 423574, 423576, 423577, 423578, 423579, 423580, 423581, 423584, and 423585.

CONTINUED

MODEL 919S SICKLE BAR
SICKLE BAR DRIVE GROUP

Ref. No.	Part No.	No. Used	Description
1	711329	1	Arm Weld Assembly 3 88681 Carriage Bolt, Grade 5, 3/8" x 1 1/4" 3 80680 Lockwasher, 3/8" 3 35097 Slug, 3/16" Thick (4.76mm) 3 84944 Nut, 3/8" 1 91932 Lube Fitting, Special
2	715773	1	Eyebolt 2 80702 Washer, 3/8" 2 88902 Locknut, Grade 5, 3/8"
3	60481	1	Tap Bolt, 3/8" x 4 1/2" 1 84944 Nut, 3/8"
4	175508	2	Bearing Cup
5	175507	2	Bearing Cone
6	603034	2	Seal
7	58630	AR	Shim, .0299" Thick, (.759mm)
8	33112	AR	Washer, Special, .060" Thick (1.52mm)
	47704	AR	Washer, Special, 3/16" Thick (4.76mm)
	267571	AR	Washer, Special, .135" Thick (3.43mm)
9	709599	1	Sheave
10	198499	1	Spacer, 7/16" Thick (11.11mm)
11	87374	1	Washer, Special, .135" Thick (3.43mm) --- Replaces 27319
12	87449	1	Hex Nut Slotted, 1"-14 1 87400 Cotter Pin, 3/16" x 2"
13	711332	1	Shaft Weld Assembly
14	137406	1	Roller Chain, RC 60, 64 Pitches 63 25808 Regular Link 1 25812 Connector Link
15	603140	1	Clamp Yoke 1 87974 Cap Screw, Hex Head, Grade 5, 1/2" x 2 3/4" 1 80679 Lockwasher, 1/2" 1 84970 Jam Nut, 1/2"
16	129437	2	Bearing and Spider
17	571982	1	Yoke and Tube 1 87414 Lube Fitting, 1/4"-28 Short
18	56760	2	Snap Ring
19	56801	2	Thrust Washer
20	579113	2	Nylon Shield Bearing
21	56800	1	Shield Support Bearing
22	571983	1	Inner Shield
23	603158	1	Shielded PTO (Includes Ref. Nos. 15 thru 22)
24	255284	1	Yoke and Shaft
25	255286	1	Shield
26	713861	1	Flange Yoke
27	603159	1	Shielded PTO (Includes Ref. Nos. 16, 18, 19, 20, 24, 25, 26)
28	713856	1	Adapter 2 88544 Cap Screw, Hex Head, Grade 5, 5/16" x 2" 6 88444 Cap Screw, Hex Head, Grade 5, 3/8" x 2 3/4" 2 80681 Lockwasher, 5/16" 6 80680 Lockwasher, 3/8" 2 84943 Nut, 5/16" 6 84944 Nut, 3/8"
29	695390	1	Sheave and Shaft Assembly (Includes Ref. Nos. 30 and 32)
30	628427	1	Gib Key
31	709997	1	V-Belt Set
32	244436	1	Wobble Shaft
33	46912	4	Flangette 8 87670 Cap Screw, Hex Head, Grade 5, 1/2" x 1 1/4" 8 80679 Lockwasher, 1/2"
34	49633	2	Bearing

AR - As Required

CONTINUED

DEALER INFORMATION ONLY
RECOMMENDED INITIAL PARTS STOCK

PART NO.	DESCRIPTION	QUANTITY FOR 5 MACHINES		
		1900	2100	919S
00015	Spring	1		
13540	Bearing Cone	2	2	
13958	Bearing Cup	2	2	
25953	Ball Bearing	1	1	
27286	"O" Ring	2	2	
28966	Bearing Cup	1	1	
29579	Spring	1	1	
34490	Spring	1		
36723	Bearing Cup	2	2	2
36726	Bearing Cone	2	2	2
38766	Ball Bearing	1	1	2
38767	Collar	2	2	2
39431	Spring	1		
43048	Flangette	2	2	
44680	Bearing	1		
45393	Collar	1	1	
45631	Collar			2
45876	Collar			3
45882	Ball Bearing			1
46436	Rivet			50
46912	Flangette			2
47066	Ball Bearing	1	1	2
47067	Collar	4	4	2
49309	Bearing	1	1	
49633	Ball Bearing			2
56128	Flangette	2		
65474	Rivet			10
66486	Bearing	1	1	
66497	Bearing	1	1	
66553	Bearing	1	1	
66807	Seal	2	2	
67630	Knife Section			25
72013	Bearing Cone	1	1	
72062	Bearing Cup	1	1	1
76417	Rubber Bearing			4
76517	Reel Tine			10
76518	Tine Clip			5
76836	Bearing			2
121506	Cup and Cone	1	1	
121831	Special Bolt			2
122056	"O" Ring	2	2	
126761	Spider and Bearing	2	2	
134372	"O" Ring	2	2	
135241	Ball Bearing			3
135863	Cone and Seal	1	1	2
136740	Bearing	1	1	
136903	Bearing	2	2	
136908	Spider and Bearing	2	2	
137636	Rivet			5
137651	Hold-Down Clip			5
138820	Flangette			4
140869	Seal			4
141295	Bearing Cone	4	4	
141296	Bearing Cup	4	4	
163044	Bearing Cup	1	1	
165241	Seal	5	5	
165385	Flangette	2		
165484	Bearing, Cam			4
166199	Bearing			2

CONTINUED

NUMERICAL PARTS INDEX (CONTINUED)

PART NO.	REF. NO.	PAGE NO.	PART NO.	REF. NO.	PAGE NO.	PART NO.	REF. NO.	PAGE NO.	PART NO.	REF. NO.	PAGE NO.
286215	33	269	322897	15	269	378244	32	165	420220	58	167
286581	55	55	323116	21	153	378245		25	420392	55	165
286612	14	171	323238	23	165			27	421477	32	161
286613	14	171	323713	43	41			43	421478	29	161
286797	11	299	323787	30	41	378246	62	43	423362	11	163
		299	325338		269	378970	14	175	423763	34	163
286798	12	299			271		14	179	430435	51	163
		299	325339		269	379614	2	157		7	173
287066	12	33			271	379615	1	157	430436	31	165
	12	37	326109	3	267	379674	23	163	430513	7	163
	44	59	326436	10	142	381511	6	165	430514	21	163
	10	63	326440	14	142	381512	46	165	430515	27	163
	11	106	326441	15	142	381823	64	167	430516	31	163
	15	117	326442	16	142		27	171	430517	9	163
287554	6	33	326443	17	142	381826	40	163	430661	2	163
	6	37	326444	11	142	381827	37	163	430695	5	165
287644	20	239	326445	12	142	381828	38	163	430772	30	161
287658	22	329	326446	5	142	381858	11	165	430783	5	161
287659	24	331	326447	4	142	381934	13	163	430801	52	163
287902	43	59	327232	3	142	382225	14	163		6	173
	12	63	327323	13	142	382226	19	163	430891	25	165
	10	106	330346	26	137	382229	24	161	430936	8	165
	23	119	331209	29	199	382236	26	161	430944	18	161
	16	199		26	207	382720	5	215	430945	13	161
288166	18	93	331649	18	165	383941	1	139	430946	16	161
288269	35	229	332401	22	155			142	430964	46	163
288279	19	33	332402	22	155	384259	5	163	431088	3	165
	19	37	333040	15	31	384262	10	163	431112	56	165
288281	41	119	334686	26	153	385913	53	165	431988	13	165
288285	20	117	334908	22	153	388116	17	163	431989	44	165
288287	38	119	336096	24	153	390017	27	165	432333	1	161
288428	13	117	336270	21	161	390022	30	165	433190	59	167
288791	11	339	336745	61	167	394027	39	163	433191	57	167
288793	13	339	336746	11	159	394028	33	163	433192		165
288797	14	339		33	165	394359	8	163	433273	8	142
288799	18	339	336897	2	161	394361	6	163	436357	25	163
288802	19	339	337049	13	219	394362	43	163	436422	31	161
289416	32	325		11	231	394468	3	163	437424	61	43
289540	22	283	337475		43	394849	9	142	437775	22	165
289783	25	93		1	165	394854	1	142	437776	14	165
300381		221	337563		173	394855	2	142	438386	4	161
300633	51	165	338163	7	267	395963	16	163	438387	37	161
300872	28	161	338164	9	267	396115	44	163	446691		25
318988	12	13	353061	3	266	396116	35	163	449965	72	151
		161		31	311	396117	30	163	450890	23	161
321192		221	353062	4	266	396118	29	163	458627	57	225
321665	17	161	353718	35	165	396120	26	163		44	237
321951	43	165	353720	4	165	396121	22	163	470041	10	60
322355		79	353911	53	43	396135	32	163		80	103
322357		41	354258	27	153	396136	28	163		44	147
		43	357294	42	165	396137	24	163		3	155
		79	357295	49	165	396432	18	142		30	157
322365	20	163	357297	38	165	396661	36	161		15	159
322423	14	161	357298	39	165	397635	42	163	482282	28	165
322435	61	327	357299	40	165	397636	41	163	509962	48	225
322893	28	137	357300	36	165	398136	7	161	509963	59	121
322894	30	175	362804	11	71	410006	16	165		9	221
	30	179	364053		43	410007	15	165	509968	23	269
	20	209	370007	54	165	410034	20	165	510098	19	257
322896	39	209	370013	9	165	410418	34	165	510155	5	197
322897	11	137	374888		159	410419	48	165	510185	31	35
	8	139	377009	23	153	412451	52	165		31	37
	60	177	378244		41	412686	63	43		8	275
	60	181			43	418312	6	142	510390	8	60

CONTINUE

CLICK HERE TO **DOWNLOAD** THE COMPLETE MANUAL

- Thank you very much for reading the preview of the manual.
- You can download the complete manual from: www.heydownloads.com by clicking the link below



- Please note: If there is no response to CLICKING the link, please download this PDF first and then click on it.

CLICK HERE TO **DOWNLOAD** THE COMPLETE MANUAL