

OCK50-M01380EN

CLICK HERE TO **DOWNLOAD** THE COMPLETE MANUAL

- Thank you very much for reading the preview of the manual.
- You can download the complete manual from: www.heydownloads.com by clicking the link below



- Please note: If there is no response to CLICKING the link, please download this PDF first and then click on it.

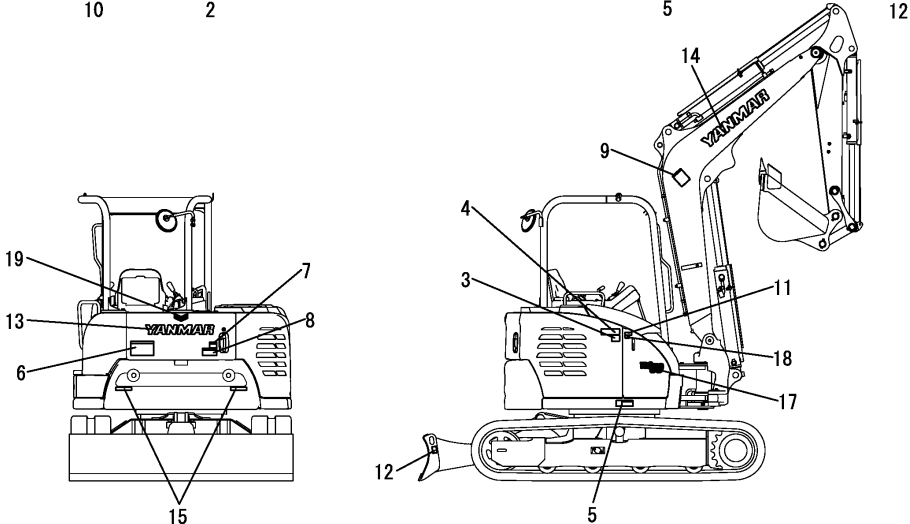
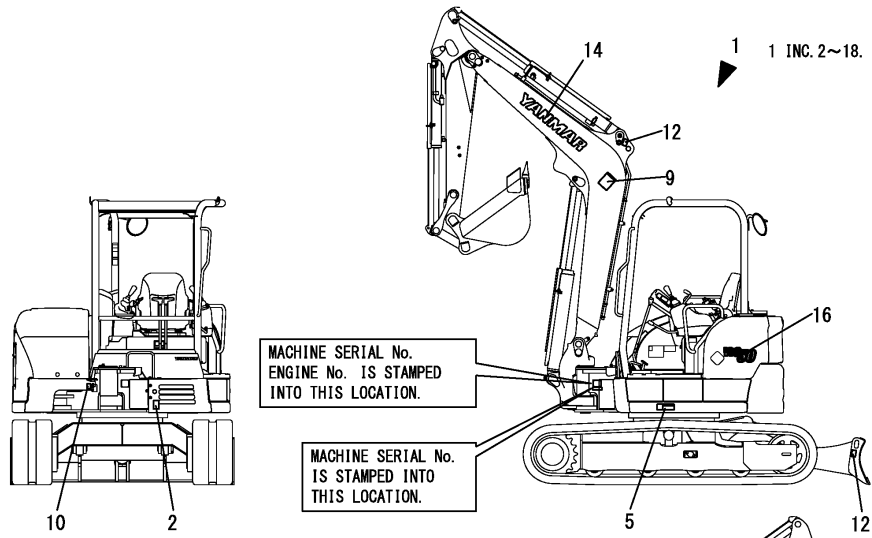
CLICK HERE TO **DOWNLOAD** THE COMPLETE MANUAL

Fig.1. LABEL(EXTERIOR)

(A)=VIO50-6A P(US)
 (B)=VIO50-6A C(US)
 (C)=

(D)=
 (E)=
 (F)=

No.	Lev.	Parts No.	Description	Q'ty						I	R
				(A)	(B)	(C)	(D)	(E)	(F)		
1	1	172B04-08080	LABEL SET,OUT EX50 D	1	1						
2	2	172B04-03250	LABEL,PTO SELECT EX	1	1						
3	2	172463-03290	LABEL, HYD.OIL	1	1						
4	2	172437-03322	LABEL, RESEVOIR	1	1						
5	2	172437-03352	LABEL, CYLINDER	2	2						
6	2	172A64-03380	LABEL,SWING AREA US	1	1						
7	2	172437-03402	LABEL, ENGINE COVER	1	1						
8	2	172A36-03411	LABEL, ENGINE ROOM	1	1						
9	2	172437-03461	LABEL, BOOM	2	2						
10	2	172B03-03460	LABEL, GREASE US	1	1						
11	2	172437-03501	LABEL, FUEL	1	1						
12	2	172437-03511	LABEL, HOOK	3	3						
13	2	172A86-03820	LABEL, YANMAR 560 B	1	1						
14	2	172A86-03830	LABEL, YANMAR 710 B	2	2						
15	2	172B04-03980	LABEL, REFLECTOR M	2	2						
16	2	172B04-04490	LABEL,MODEL VIO50 L	1	1						
17	2	172B04-04500	LABEL,MODEL VIO50 R	1	1						
18	2	114110-07761	LABEL, FUEL OIL CAUT	1	1						
19	1	172B04-03650	EMBLEM ASSY,FY L4 Y	1	1						



SAFETY LABEL

4

5

6

7

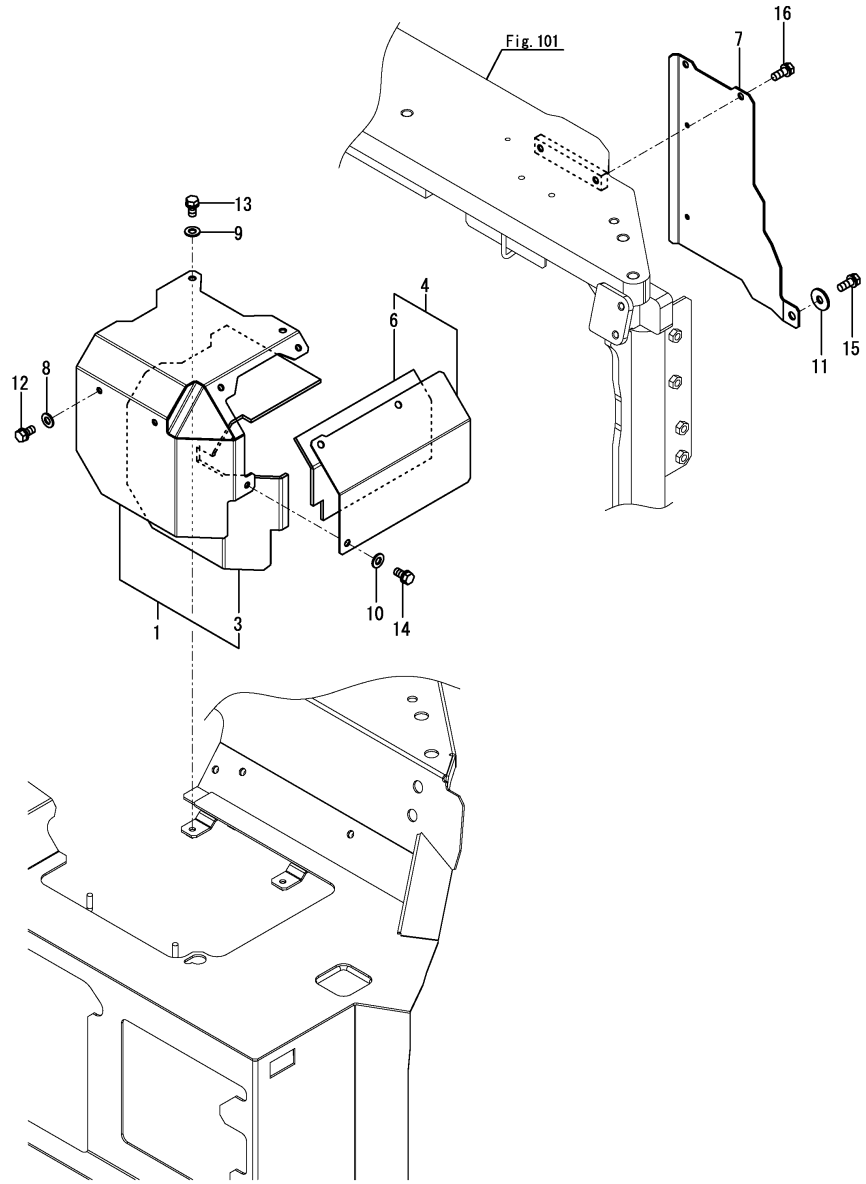
8

9

Fig.11. MUFFLER COVER

(A)=VIO50-6A P(US)
 (B)=VIO50-6A C(US)
 (C)=

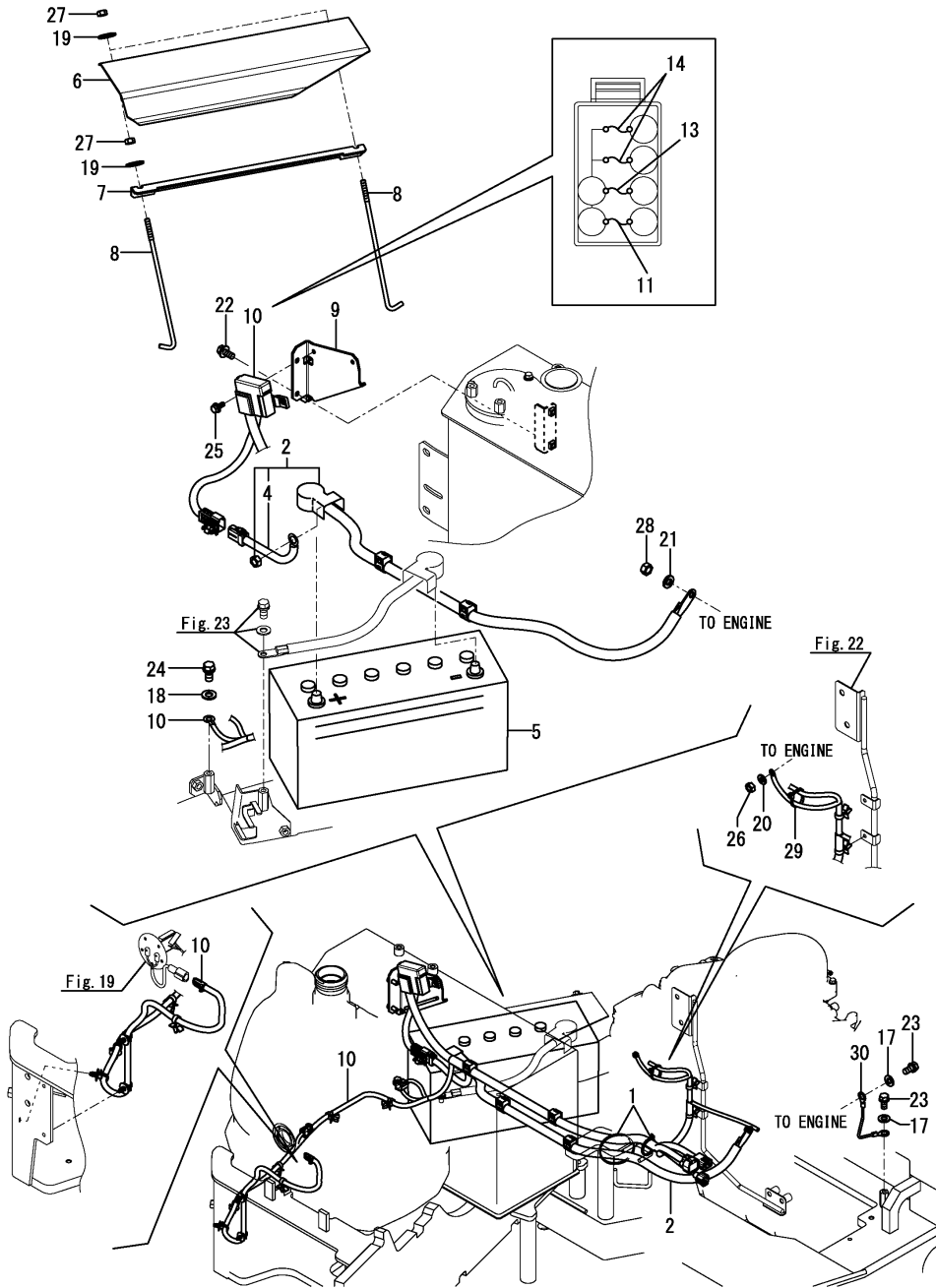
(D)=
 (E)=
 (F)=



No.	Lev.	Parts No.	Description	Q'ty						I	R
				(A)	(B)	(C)	(D)	(E)	(F)		
1	1	172B04-11601	COVER ASSY,MUFFLER A	1	1						
3	2	172B04-11651	SHEET,INSULATION A	1	1						
4	1	172B04-11660	COVER ASSY,MUFFLER B	1	1						
6	2	172B04-11680	SHEET,INSULATION B	1	1						
7	1	172B04-11710	COVER MUFFLER C	1	1						1
7A	1	172B03-03390	LABEL,SILENCER EX	1	1						2
8	1	22137-080000	WASHER, 8	2	2						
9	1	22137-080000	WASHER, 8	2	2						
10	1	22137-080000	WASHER, 8	3	3						
11	1	22157-080000	WASHER, 8	1	1						
12	1	26013-080162	BOLT, M8X 16	2	2						
13	1	26013-080162	BOLT, M8X 16	2	2						
14	1	26013-080162	BOLT, M8X 16	3	3						
15	1	26013-080202	BOLT, M8X 20	1	1						
16	1	26013-080202	BOLT, M8X 20	2	2						

Remarks
 (1)Attach the No.7A label to this part.
 (2)Label is not illustrated.

Fig.21. AROUND THE ENGINE



(A)=VIO50-6A P(US)
 (B)=VIO50-6A C(US)
 (C)=

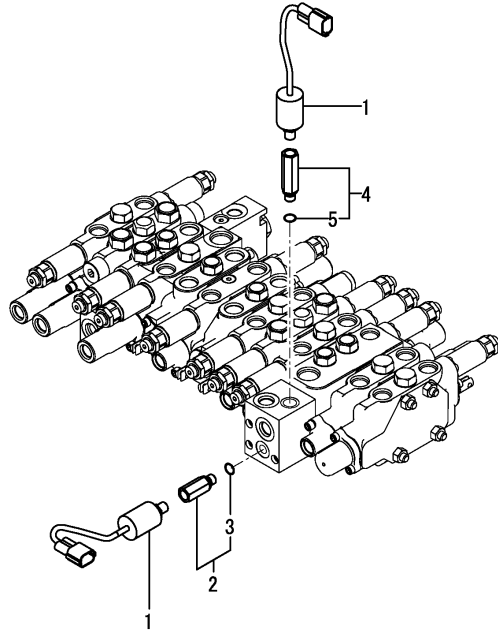
(D)=
 (E)=
 (F)=

No.	Lev.	Parts No.	Description	Q'ty						I	R
				(A)	(B)	(C)	(D)	(E)	(F)		
1	1	172126-11510	BAND	2	2						
2	1	172B04-16100	CABLE ASSY,BATTERY +	1	1						
4	2	172B04-16110	HARNESS, BATTERY SLO	1	1						
5	1	172187-16150	BATTERY	1	1						
6	1	172B04-16180	COVER,BATTERY CR	1	1						
7	1	172112-16201	RETAINER, BATTERY	1	1						
8	1	172164-16370	ROD	2	2						
9	1	172B04-16380	BRACKET ASSY, FUSE	1	1						
10	1	172B04-16501	HARNESS ASSY,POWERS	1	1						
11	2	1C6900-06180	FUSE, SLOW BLOW 80A	1	1						
13	2	1A7611-52720	FUSE, 100A SLOW BLOW	1	1						
14	2	1A7000-52820	FUSE, SLOW BLOW 60A	2	2						
17	1	22137-100000	WASHER, 10	2	2						
18	1	22137-100000	WASHER, 10	1	1						
19	1	22157-080000	WASHER, 8	4	4						
20	1	22217-060000	WASHER, SPRING 6	1	1						
21	1	22217-080000	WASHER, SPRING 8	1	1						
22	1	26013-080162	BOLT, M8X 16	2	2						
23	1	26013-100202	BOLT, M10X 20	2	2						
24	1	26013-100202	BOLT, M10X 20	1	1						
25	1	26014-060162	BOLT, M6X 16	2	2						
26	1	26716-060002	NUT, M6	1	1						
27	1	26716-080002	NUT, M8	4	4						
28	1	26716-080002	NUT, M8	1	1						
29	1	933168-55770	BAND	1	1						
30	1	933171-15801	CORD, ENGINE EARTH	1	1						

Fig.30. PRESSURE SWITCH

(A)=VIO50-6A P(US)
 (B)=VIO50-6A C(US)
 (C)=

(D)=
 (E)=
 (F)=

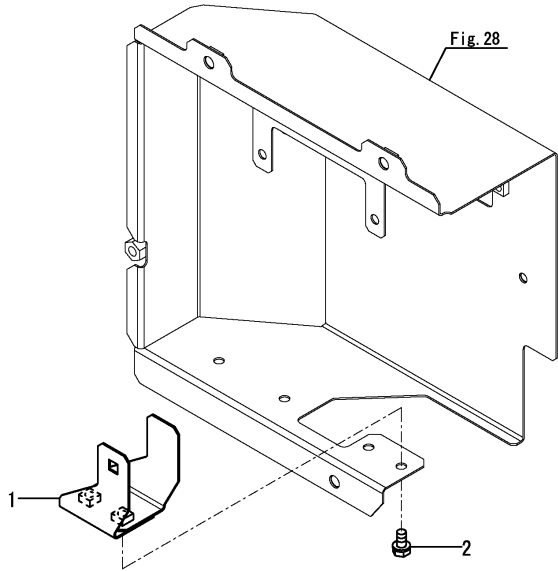


No.	Lev.	Parts No.	Description	Q'ty						I	R
				(A)	(B)	(C)	(D)	(E)	(F)		
1	1	172478-17202	SWITCH, PRESSURE	2	2						
2	1	172A47-76111	CONNECTOR, G1/8XR1/8	1	1						
3	2	24315-000080	O-RING, 1BP8.0	1	1						
4	1	172A79-76110	CONNECTOR, G1/8XR1/8	1	1						
5	2	24315-000080	O-RING, 1BP8.0	1	1						

Fig.40. RELAY BRACKET

(A)=VIO50-6A P(US)
 (B)=VIO50-6A C(US)
 (C)=

(D)=
 (E)=
 (F)=

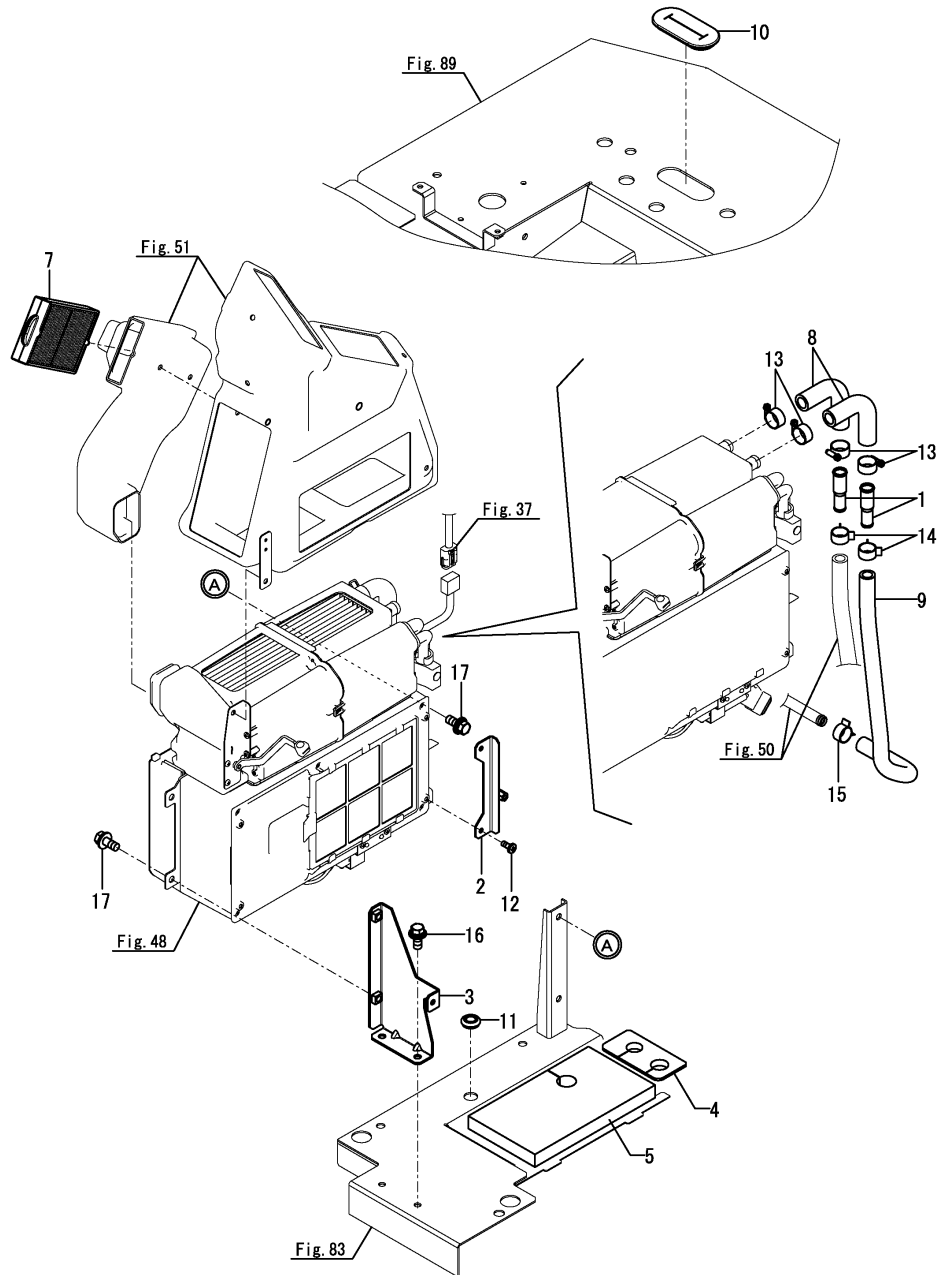


No.	Lev.	Parts No.	Description	Q'ty						I	R
				(A)	(B)	(C)	(D)	(E)	(F)		
1	1	172B04-17110	STAY ASSY, RELAY4		1						
2	1	26013-060122	BOLT, M6X 12		2						

Fig.49. HEATER(Accessory)

(A)=VIO50-6A P(US)
 (B)=VIO50-6A C(US)
 (C)=

(D)=
 (E)=
 (F)=



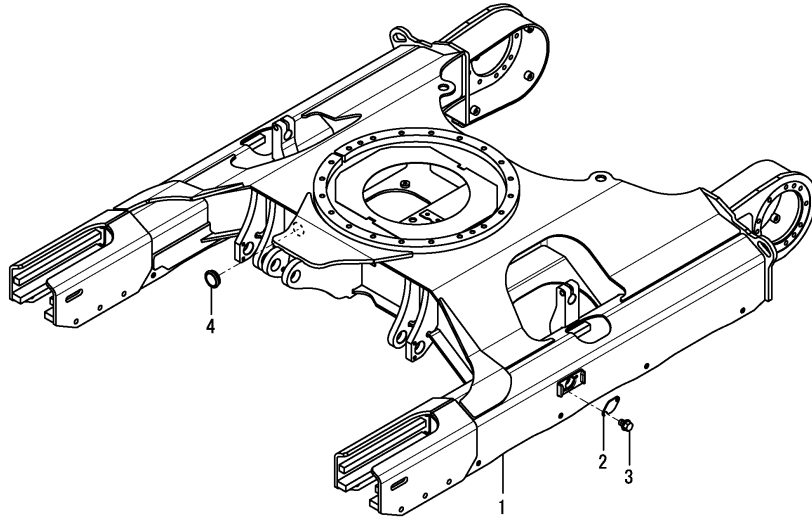
No.	Lev.	Parts No.	Description	Q'ty						I	R
				(A)	(B)	(C)	(D)	(E)	(F)		
1	1	172455-17930	JOINT, HOSE		2						
2	1	172B03-18310	STAY ASSY		1						
3	1	172B03-18350	BRACKET ASSY, AC F		1						
4	1	172B04-18560	GROMMET, HOSE-HEATER		1						
5	1	172B04-18580	SPONGE, PARTITION		1						
7	1	172B06-18420	FILTER, AIR		1						
8	1	172B03-19920	HOSE, HEATER ELBOW		2						
9	1	172B04-19980	HOSE, HEATER IN		1						
10	1	172B03-63450	GROMMET		1						
11	1	172183-76210	GROMMET		1						
12	1	22877-500120	SCREW, 5X12		2						
13	1	23001-022000	CLAMP, HOSE 22		4						
14	1	23080-018000	CLAMP, 18		2						
15	1	23080-018000	CLAMP, 18		1						
16	1	26014-080202	BOLT, M8X 20		2						
17	1	26014-080202	BOLT, M8X 20		4						

Fig.69. TRACK FRAME

(A)=VIO50-6A P(US)
 (B)=VIO50-6A C(US)
 (C)=

(D)=
 (E)=
 (F)=

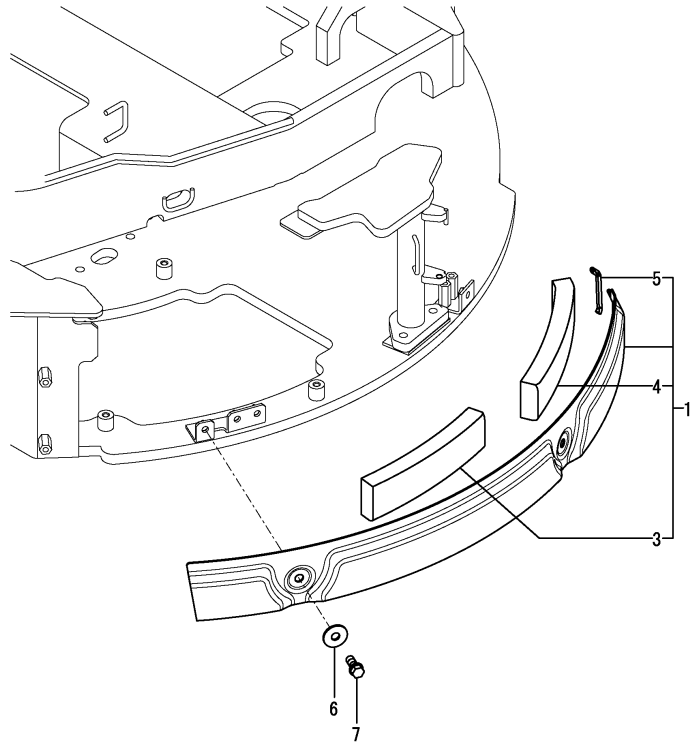
No.	Lev.	Parts No.	Description	Q'ty						I	R
				(A)	(B)	(C)	(D)	(E)	(F)		
1	1	172B04-50100	FRAME ASSY, LOWER	1	1						
2	1	172458-50480-2	COVER, FRAME	2	2						
3	1	26106-100122	BOLT, M10X 12 PLATED	4	4						
4	1	172141-50890	GROMMET	1	1						



Remarks

* Not applied for angle blade specification.

Fig.79. FRAME GUARD(LEFT)



(A)=VIO50-6A P(US)
 (B)=VIO50-6A C(US)
 (C)=

(D)=
 (E)=
 (F)=

No.	Lev.	Parts No.	Description	Q'ty						I	R
				(A)	(B)	(C)	(D)	(E)	(F)		
1	1	172B04-61010	GUARD ASSY, FRAME L	1	1						1
3	2	172B04-61040	SPONGE, GUARD L B	1	1						
4	2	172B04-61040	SPONGE, GUARD L B	1	1						
5	2	172434-61170	TRIM	1	1						
5A	1	172437-03352	LABEL, CYLINDER	1	1						2
6	1	22157-100000	WASHER, 10	2	2						
7	1	26013-100252	BOLT, M10X 25	2	2						

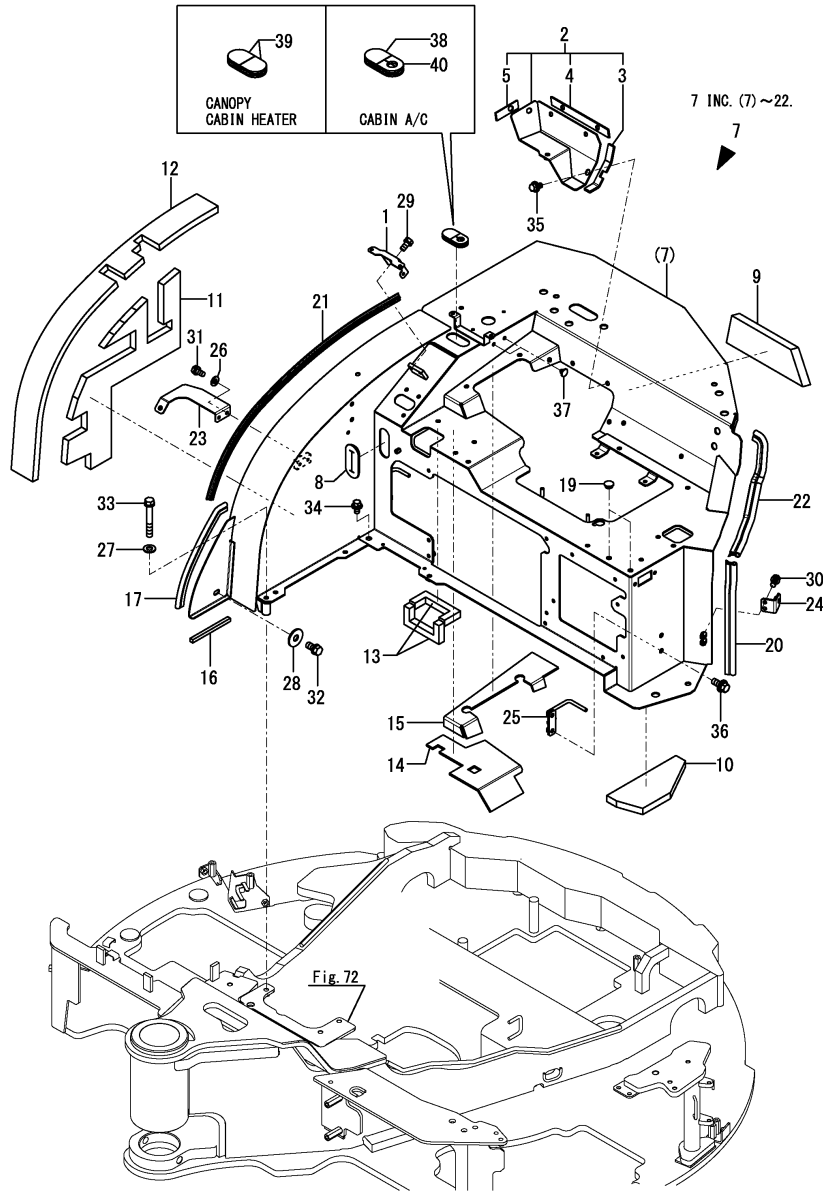
Remarks

- (1) Attach the No.5A label to this part.
- (2) Label is not illustrated.

Fig.89. SEAT MOUNT

(A)=VIO50-6A P(US)
 (B)=VIO50-6A C(US)
 (C)=

(D)=
 (E)=
 (F)=



No.	Lev.	Parts No.	Description	Q'ty						I	R
				(A)	(B)	(C)	(D)	(E)	(F)		
1	1	172B03-63400	STAY ASSY, COVER	1	1						
2	1	172B04-64110	COVER ASSY, REAR	1	1						
3	2	172B04-64120	SEAL, COVER A	1	1						
4	2	172B04-64130	SEAL, COVER B	1	1						
5	2	172B04-64140	SEAL, COVER C	1	1						
7	1	172B04-64200	MOUNT ASSY, SEAT	1	1						1
8	2	172B03-63450	GROMMET	1	1						
9	2	172B05-64010	SPONGE, REAR	1	1						
10	2	172B05-64020	SPONGE, L	1	1						
11	2	172B05-64030	SPONGE, SIDE	1	1						
12	2	172B05-64040	SPONGE, UP	1	1						
13	2	172B05-64050	SPONGE, PARTITION	2	2						
14	2	172B05-64060	SHEET, INSULATION F	1	1						
15	2	172B05-64070	SHEET, INSULATION R	1	1						
16	2	172B05-64080	SEAL, 10X10X140	1	1						
17	2	172B05-64090	SEAL, 310	1	1						
19	2	172187-64900	PLUG	2	2						
20	2	172141-65330	RUBBER	1	1						
21	2	172183-65530	RUBBER, SEAL	1	1						
22	2	172164-66640	RUBBER, SEAL	1	1						
22A	1	172437-03302	LABEL, MANUAL	1	1						2
23	1	172B04-64380	STAY ASSY, BONNET B	1	1						
24	1	172B03-64450	STAY ASSY, BONNET	1	1						
25	1	172B03-78050	GUIDE ASSY, HOSE	1	1						
26	1	22137-080000	WASHER, 8	2	2						
27	1	22137-100000	WASHER, 10	1	1						
28	1	22157-100000	WASHER, 10	1	1						
29	1	26013-080162	BOLT, M8X 16	2	2						
30	1	26013-080162	BOLT, M8X 16	2	2						
31	1	26013-080162	BOLT, M8X 16	2	2						
32	1	26013-100202	BOLT, M10X 20	1	1						
33	1	26013-100702	BOLT, M10X 70	1	1						
34	1	26014-100202	BOLT, M10X 20	1	1						
35	1	26014-100202	BOLT, M10X 20	4	4						
36	1	26014-100252	BOLT, M10X 25	2	2						
37	1	172444-17660	CLIP, TREE	2	2						
38	1	172165-62830	GROMMET		1						
39	1	172165-62830	GROMMET	2	2						
40	1	172491-62830	GROMMET		1						

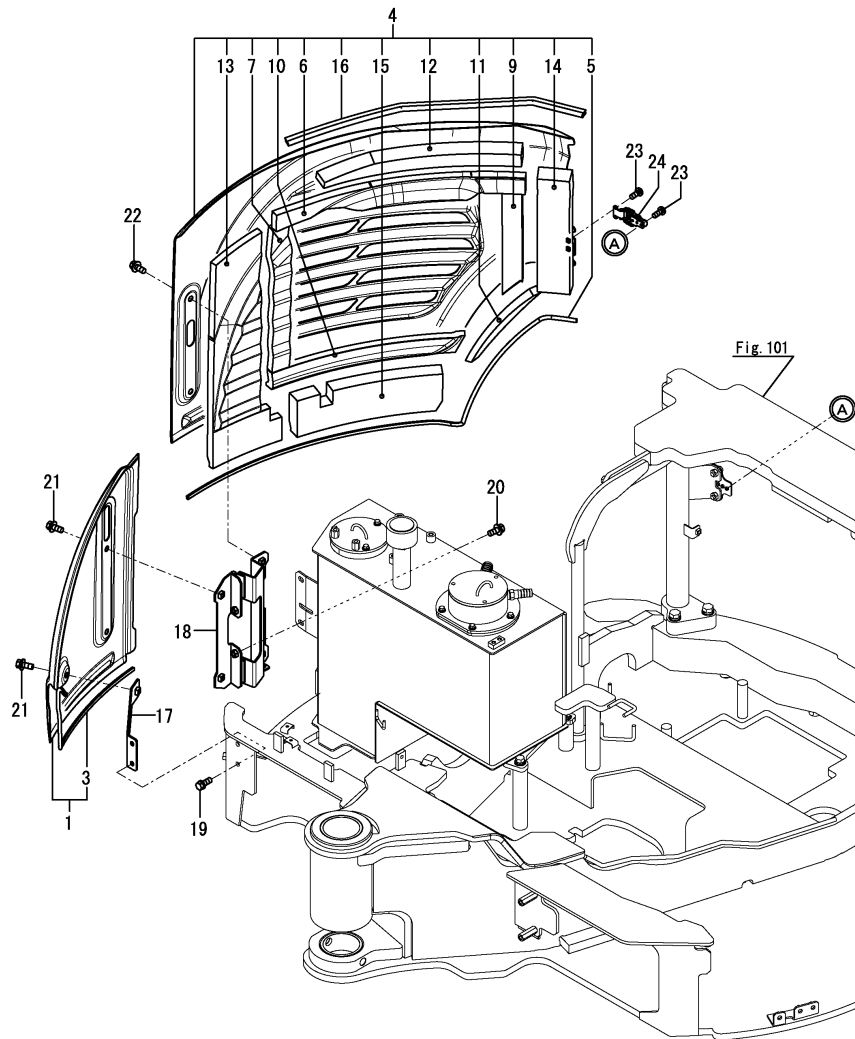
Remarks

- (1)Canopy specification. : Attach the No.22A label to this part.
- (2)Label is not illustrated.

Fig.99. BONNET(RIGHT)

(A)=VIO50-6A P(US)
 (B)=VIO50-6A C(US)
 (C)=

(D)=
 (E)=
 (F)=



No.	Lev.	Parts No.	Description	Q'ty						I	R
				(A)	(B)	(C)	(D)	(E)	(F)		
1	1	172B04-65800	BONNET ASSY,R FRONT	1	1						
3	2	172B05-65910	SEAL, 640	1	1						
4	1	172B04-65820	BONNET ASSY,R RR	1	1						1
5	2	172538-61250	SEAL, 1250	1	1						
6	2	172B05-65810	SEAL, A BON.R	1	1						
7	2	172B05-65820	SEAL, B BON.R	1	1						
9	2	172B05-65830	SEAL, C BON.R	1	1						
10	2	172B05-65840	SEAL, D BON.R	1	1						
11	2	172B05-65851	SEAL, E BON.R	1	1						
12	2	172B05-65860	SPONGE, A BON.R	1	1						
13	2	172B05-65870	SPONGE, B BON.R	1	1						
14	2	172B05-65880	SPONGE, C BON.R	1	1						
15	2	172B05-65890	SPONGE, D BON.R	1	1						
16	2	172B05-65930	SEAL, 765	1	1						
16A	1	172437-03322	LABEL, RESEVOIR	1	1						2
17	1	172B04-65900	STAY ASSY, BONNET RF	1	1						
18	1	172B03-65950	HINGE ASSY, BON. R	1	1						
19	1	26013-100252	BOLT, M10X 25	2	2						
20	1	26014-100252	BOLT, M10X 25	2	2						
21	1	26014-100252	BOLT, M10X 25	3	3						
22	1	26014-100252	BOLT, M10X 25	2	2						
23	1	26557-050122	SCREW, M5X12	5	5						
24	1	933171-18750	CLIP, CATCH	1	1						

Remarks

- (1)Attach the No.16A label to this part.
- (2)Label is not illustrated.

CLICK HERE TO **DOWNLOAD** THE COMPLETE MANUAL

- Thank you very much for reading the preview of the manual.
- You can download the complete manual from: www.heydownloads.com by clicking the link below



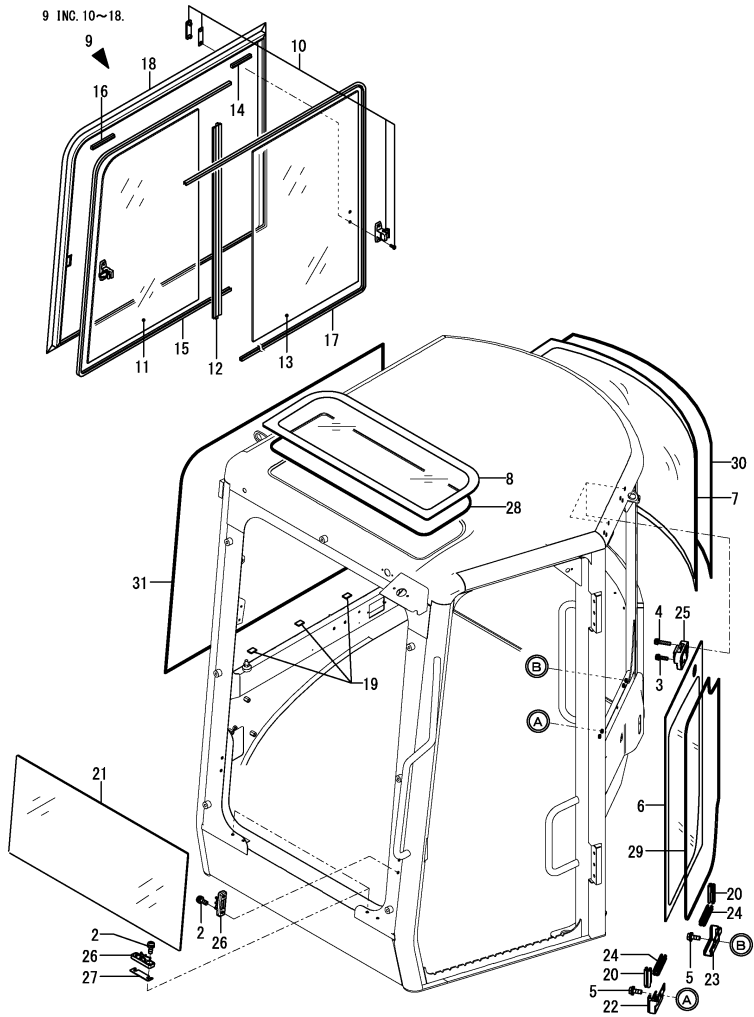
- Please note: If there is no response to CLICKING the link, please download this PDF first and then click on it.

CLICK HERE TO **DOWNLOAD** THE COMPLETE MANUAL

Fig.109. CABIN(GLASS)

(A)=VIO50-6A P(US)
 (B)=VIO50-6A C(US)
 (C)=

(D)=
 (E)=
 (F)=



No.	Lev.	Parts No.	Description	Q'ty						I	R
				(A)	(B)	(C)	(D)	(E)	(F)		
2	3	172B02-67060	SCREW, SEMS 6X16		8						
3	3	172B02-67120	SCREW, SEMS 6X20 B		2						
4	3	172B02-67140	SCREW, SEMS 6X30 B		4						
5	3	172B02-67250	BOLT, SEMS 6X16 B		4						
6	3	172B02-69230	GLASS, SIDE L		1						
7	3	172B02-69240	GLASS, REAR		1						1
8	3	172B02-69250	ROOF, POLYCARBONATE		1						
9	3	172B02-69301	SASH ASSY		1						
10	4	172B02-69311	LOCK ASSY, SASH 28		2						
11	4	172B02-69321	GLASS, SASH FRONT		1						
12	4	172B02-69351	SEAL, SASH		1						
13	4	172B02-69361	GLASS, SASH REAR		1						2
14	4	172B02-69401	STOPPER, SASH A		1						
15	4	172B02-69411	GLASSRUN, 2471		1						
16	4	172B02-69421	STOPPER, SASH B		1						
17	4	172B02-69431	GLASSRUN, 2500		1						
18	4	172B02-69451	FRAME ASSY, SASH		1						
19	3	172B02-69460	SHEET, STOPPER		3						
20	3	172B02-69490	GLASSRUN, 40		2						
21	3	172B02-69500	GLASS, FRONT LOWER		1						
22	3	172B02-69510	HOLDER ASSY, GLASS R		1						
23	3	172B02-69520	HOLDER ASSY, GLASS L		1						
24	3	172B02-69530	GLASSRUN, 80		2						
25	3	172B02-69540	HOLDER, GLASS		2						
26	3	172B02-69550	SEAT, GLASS		4						
27	3	172B02-69560	SHIM, SEAT GLASS		2						
28	3	172B02-69570	DAM, 1900		1						
29	3	172B02-69580	DAM, 2300		1						
30	3	172B02-69590	DAM, 2900		1						
31	3	172B02-69600	DAM, 3550		1						
32A	1	172B04-03500	LABEL, LIFT EX 50		1						3
32B	1	172B04-03510	LABEL, LIFT ANGLE 50		1						3
33A	1	172437-03343	LABEL, TRANSPORT		1						3
33B	1	172437-03372	LABEL, NEUTRAL		1						3
33C	1	172A79-03220	LABEL, WARNING ANGLE		1						3
33D	1	172472-03241	LABEL, PIN US		1						3
33E	1	172B03-04400	LABEL, WARNING HITCH		1						3
33F	1	172B03-04410	LABEL, SAND US		1						3

Remarks

(1) Please use this part with following label at the same time.

Standard blade specification : No.32A.

Angle blade specification : No.32B.

(2) Please use this part with following label at the same time.

Standard blade specification : No.33A & 33B.

Standard blade with quick coupler specification : No.33A, 33B, 33D, 33E & 33F.

Angle blade specification : No.33A, 33B & 33C.

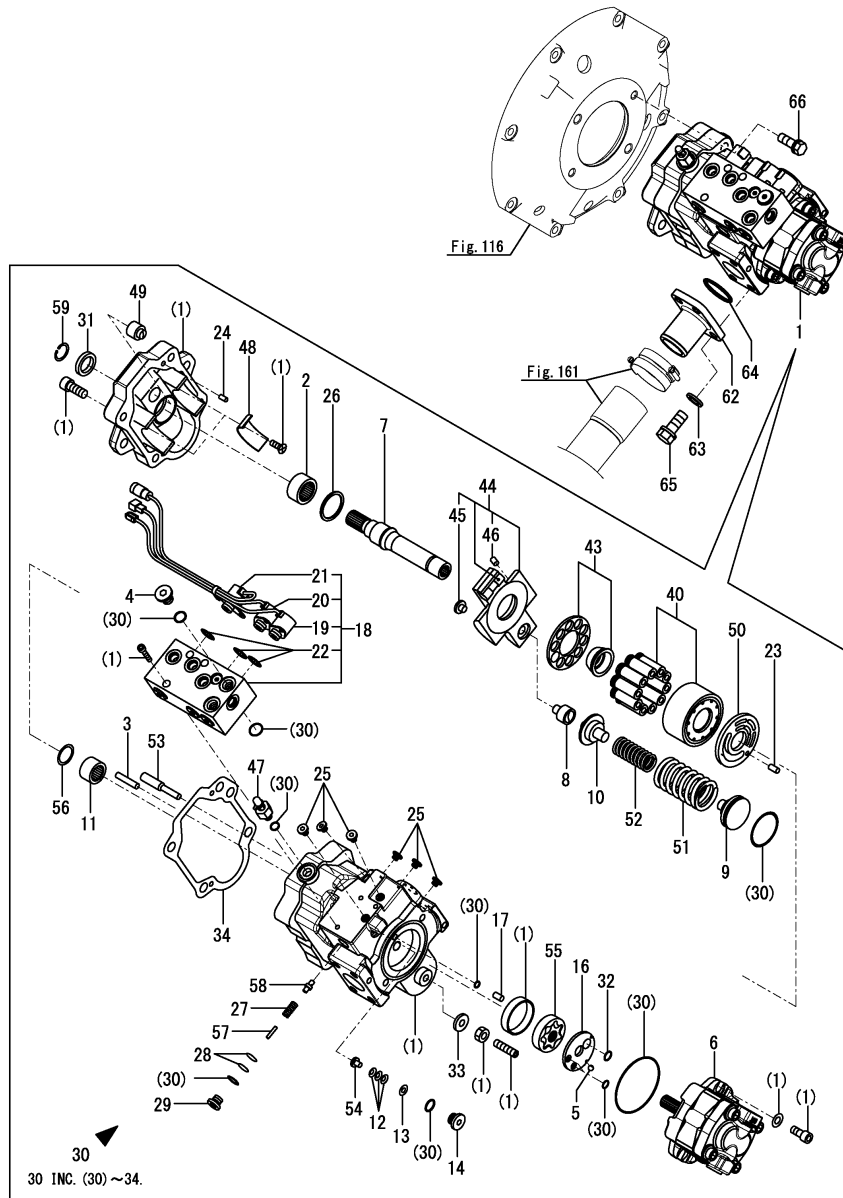
Angle blade with quick coupler specification : No.33A, 33B, 33C, 33D, 33E & 33F.

(3) Label is not illustrated.

Fig.118. HYDRAULIC PUMP(QUIK COUPLER SPEC.)

(A)=VIO50-6A P(US)
 (B)=VIO50-6A C(US)
 (C)=

(D)=
 (E)=
 (F)=



No.	Lev.	Parts No.	Description	Q'ty						I	R
				(A)	(B)	(C)	(D)	(E)	(F)		
1	1	172B04-73110	PUMP ASSY,3SOL	1	1						
2	2	172B06-70120	BEARING, NEEDLE	1	1						
3	2	172B06-70191	PIN	1	1						
4	2	172148-70301	PLUG	2	2						
5	2	172122-70350	BALL, STEEL	1	1						
6	2	172461-73132	PUMP ASSY, GEAR	1	1						
7	2	172176-73240	SHAFT	1	1						
8	2	172460-73240	HOLDER	1	1						
9	2	172461-73270	SEAT, SPRING	1	1						
10	2	172176-73290	SEAT, SPRING	1	1						
11	2	172460-73330	BEARING, NEEDLE	1	1						
12	2	172460-73350	SPRING, DISK	3	3						
13	2	172460-73360	WASHER	1	1						
14	2	172460-73370	PLUG	1	1						
16	2	172460-73390	PLATE	1	1						
17	2	172460-73420	PIN	1	1						
18	2	172960-73431	VALVE, S/A	1	1						
19	3	172460-73900	VALVE, SOLENOID	1	1						1
20	3	172460-73910	VALVE, SOLENOID	1	1						2
21	3	172460-73920	VALVE, SOLENOID	1	1						3
22	3	24352-190110	O-RING, 219011	3	3						
23	2	172122-73480	PIN	1	1						
24	2	172122-73480	PIN	2	2						
25	2	172452-73480	PLUG	6	6						
26	2	172176-73540	THRUST WASHER	1	1						
27	2	172176-73560	SPRING	1	1						
28	2	172176-73590	SHIM	2	2						
29	2	172176-73600	PLUG	1	1						
30	2	172B04-73610	SEAL KIT,STD	1	1						
31	3	172176-73271	SEAL, OIL	1	1						
32	3	172176-73471	O-RING	1	1						
33	3	172457-73570	SEAL WASHER	1	1						
34	3	172B04-73710	GASKET	1	1						
40	2	172B04-73630	REPAIR KIT,CYL BLOCK	1	1						
43	2	172B04-73640	RETAINER KIT	1	1						
44	2	172B04-73650	REPAIR KIT,SW PLATE	1	1						
45	3	172452-73480	PLUG	2	2						
46	3	172312-74790	ORIFICE	2	2						
47	2	172176-73690	BREEDER, AIR	1	1						
48	2	172B04-73720	BUSH	2	2						
49	2	172B04-73730	STOPPER,MIN	1	1						
50	2	172B04-73750	PLATE, VALVE	1	1						
51	2	172B04-73760	SPRING,OUT	1	1						
52	2	172B04-73770	SPRING,IN	1	1						
53	2	172B04-73780	PIN	1	1						
54	2	172B04-73810	STOPPER,MAX	1	1						
55	2	172176-73880	PUMP ASSY, TROCHOID	1	1						
56	2	172176-73910	WASHER, THRUST	1	1						
57	2	172176-73930	PIN	1	1						
58	2	172176-73940	POPPET	1	1						
59	2	22252-000420	RING, 42	1	1						

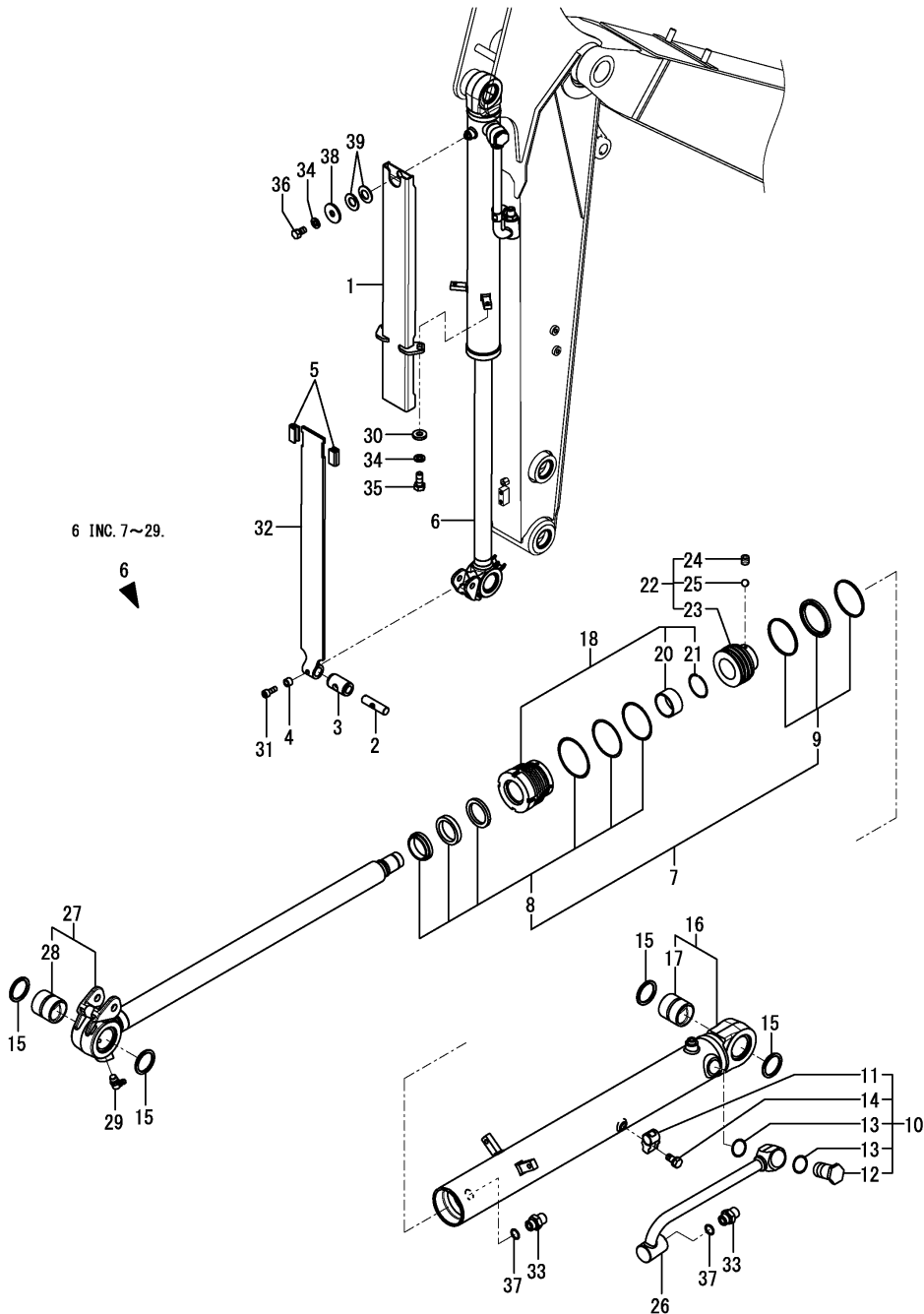
Remarks

- (1)For safety lock.
- (2)For second gear traveling.
- (3)For quick coupler.

Fig.124. BUCKET CYLINDER

(A)=VIO50-6A P(US)
 (B)=VIO50-6A C(US)
 (C)=

(D)=
 (E)=
 (F)=



No.	Lev.	Parts No.	Description	Qty						I	R
				(A)	(B)	(C)	(D)	(E)	(F)		
1	1	172B04-71960	GUIDE ASSY, 747 A	1	1						
2	1	172A23-72043	SHAFT	1	1						
3	1	172A23-72052	GROMMET	1	1						
4	1	172A46-72070	SPACER	1	1						
5	1	172A23-72081	GUIDE, SLIDE	2	2						
6	1	172B04-72500	CYLINDER ASSY, BUCKET	1	1						
7	2	172B04-72050	SEAL KIT, CYL. 70X45	1	1						
8	3	172B04-72680	SEAL SET, HEAD 70X45	1	1						
9	3	172B04-72690	SEAL SET, PISTON 70	1	1						
10	2	172B04-72250	PLUG ASSY	1	1						
11	3	172B04-72260	HOLDER, TUBE	1	1						
12	3	172B04-72470	PLUG	1	1						
13	3	24315-000260	O-RING, 1BP26.0	2	2						
14	3	26013-080162	BOLT, M8X 16	1	1						
15	2	172B05-72490	SEAL, DUST 45	4	4						
16	2	172B04-72510	TUBE ASSY, BUCKET	1	1						
17	3	172B04-72520	BUSH, 45X55X40	1	1						
18	2	172B04-72530	HEAD ASSY, 70 45	1	1						
20	3	172B04-72550	BUSH, 45	1	1						
21	3	172B04-72560	RING, SNAP	1	1						
22	2	172B04-72571	PISTON ASSY	1	1						
23	3	172B04-72581	PISTON	1	1						
24	3	172A79-72870	SCREW, M8	1	1						
25	3	24190-070002	BALL, STEEL 7/32	1	1						
26	2	172B04-72590	PIPE ASSY, BUCKET	1	1						
27	2	172B04-72600	ROD ASSY, BUCKET	1	1						
28	3	172B04-72610	BUSH, 45X55X50	1	1						
29	2	24761-050000	NIPPLE, GREASE C	1	1						
30	1	172A79-72570	WASHER	2	2						
31	1	172A47-72840	BOLT	1	1						
32	1	172A47-72881-N	PLATE, SLIDE	1	1						
33	1	172112-77361	CONNECTOR	2	2						
34	1	22217-100000	WASHER, SPRING 10	3	3						
35	1	26076-100252	BOLT, 10.910X 25	2	2						
36	1	26116-100162	BOLT, M10X 16 PLATED	1	1						
37	1	41851-000180	O-RING	2	2						
38	1	933147-03400	WASHER, BRAKE ARM	1	1						
39	1	933168-14170	SPRING	2	2						

Fig.133. ACCUMULATOR

(A)=VIO50-6A P(US)
 (B)=VIO50-6A C(US)
 (C)=

(D)=
 (E)=
 (F)=

No.	Lev.	Parts No.	Description	Q'ty						I	R
				(A)	(B)	(C)	(D)	(E)	(F)		
1	1	172B11-73600	ACCUMULATOR	1	1						
2	1	172B11-73630	CLAMP	1	1						
3	1	172423-76120	CONNECTOR, PF1/2X1/4	1	1						
4	1	26014-080202	BOLT, M8X 20	2	2						
5	1	41851-000180	O-RING	1	1						

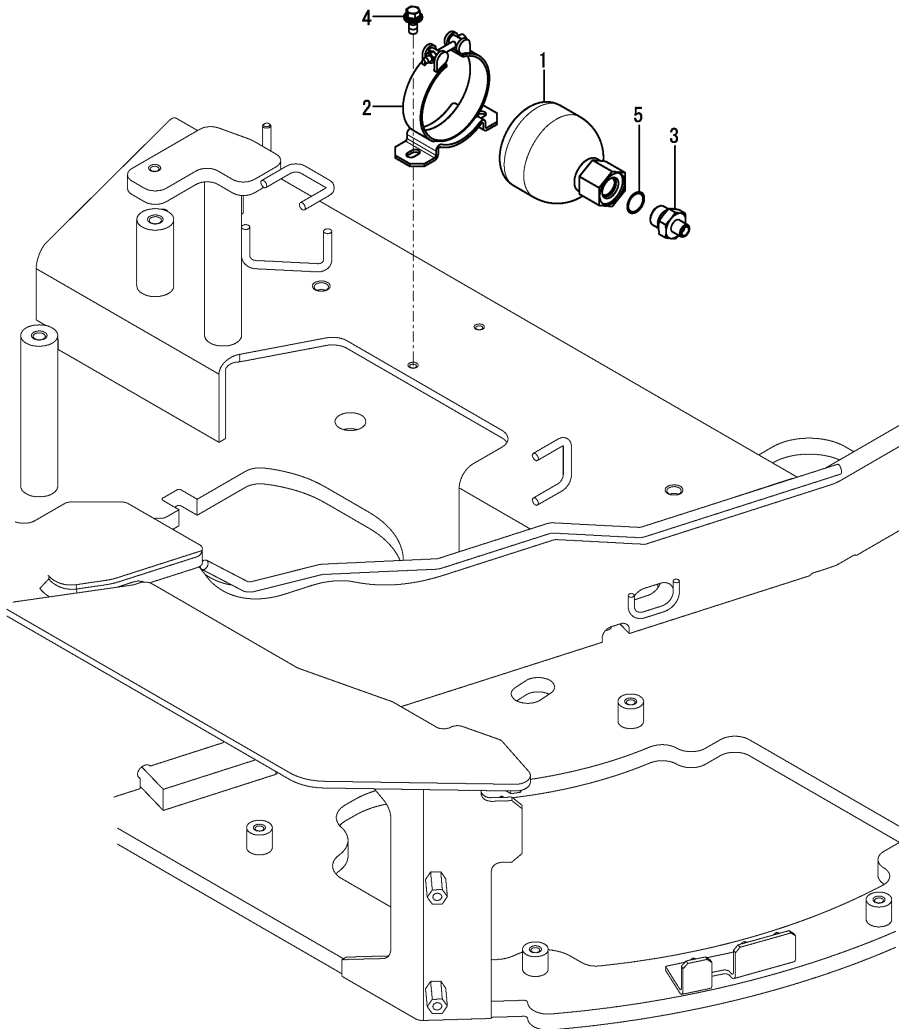
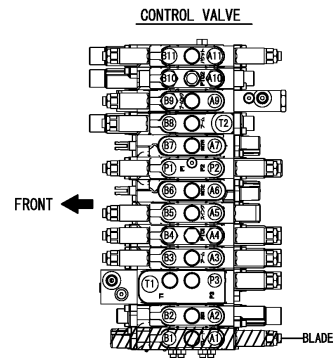
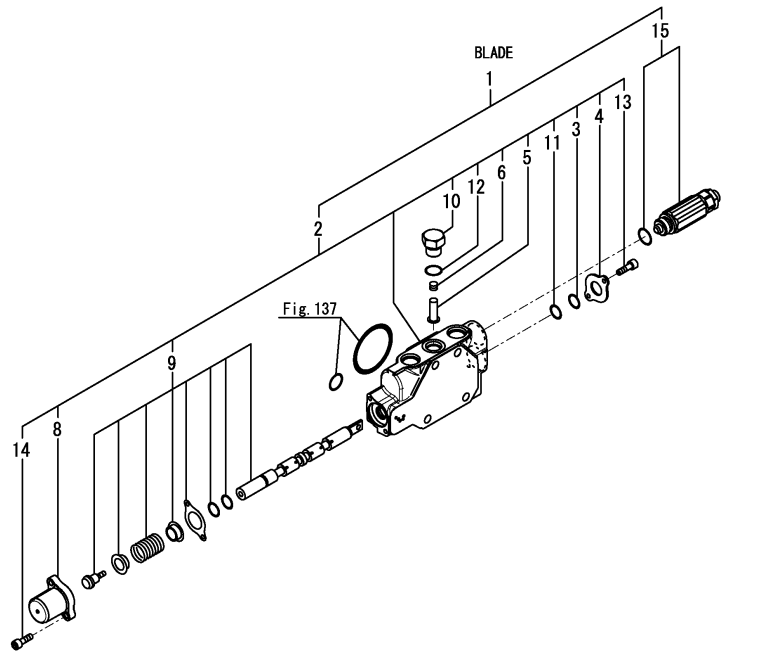


Fig.143. CONTROL VALVE(8/8)

(A)=VIO50-6A P(US)
 (B)=VIO50-6A C(US)
 (C)=

(D)=
 (E)=
 (F)=



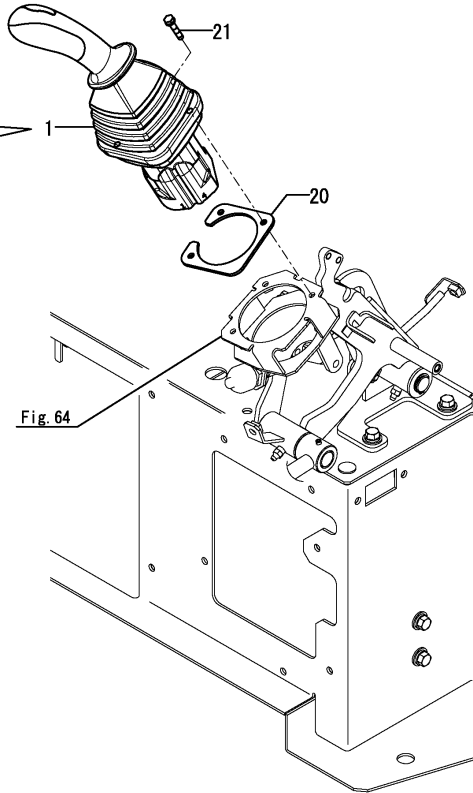
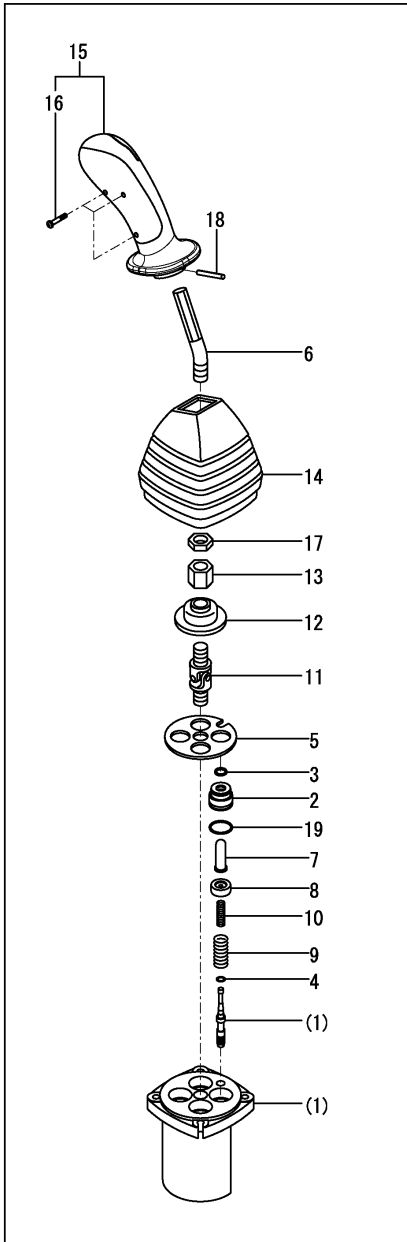
No.	Lev.	Parts No.	Description	Q'ty						I	R
				(A)	(B)	(C)	(D)	(E)	(F)		
1	2	172B04-74150	VALVE ASSY, BLADE	1	1						
2	3	172B04-74160	SECTION ASSY, BLADE	1	1						
3	4	172458-74130	WIPER, DUST	1	1						
4	4	172458-74140	RETAINER, SEAL	1	1						
5	4	172458-74150	VALVE, REVERSE	1	1						
6	4	172458-74160	SPRING, VALVE	1	1						
8	4	172458-74170	CAP, SPRING	1	1						
9	4	172B04-74170	SPOOL ASSY, BLADE	1	1						
10	4	172458-74630	STAY, VALVE	1	1						
11	4	24311-000120	O-RING, 1AP12.0	1	1						
12	4	24315-000110	O-RING, 1BP11.0	1	1						
13	4	26450-050102	BOLT, M5X 10	2	2						
14	4	26450-050182	BOLT, M5X 18	2	2						
15	3	172A47-75480	VALVE ASSY, OVERLOAD	1	1						

Remarks
 * Not applied for angle blade specification.

Fig.153. REMOTE CONTROL VALVE(LEFT)

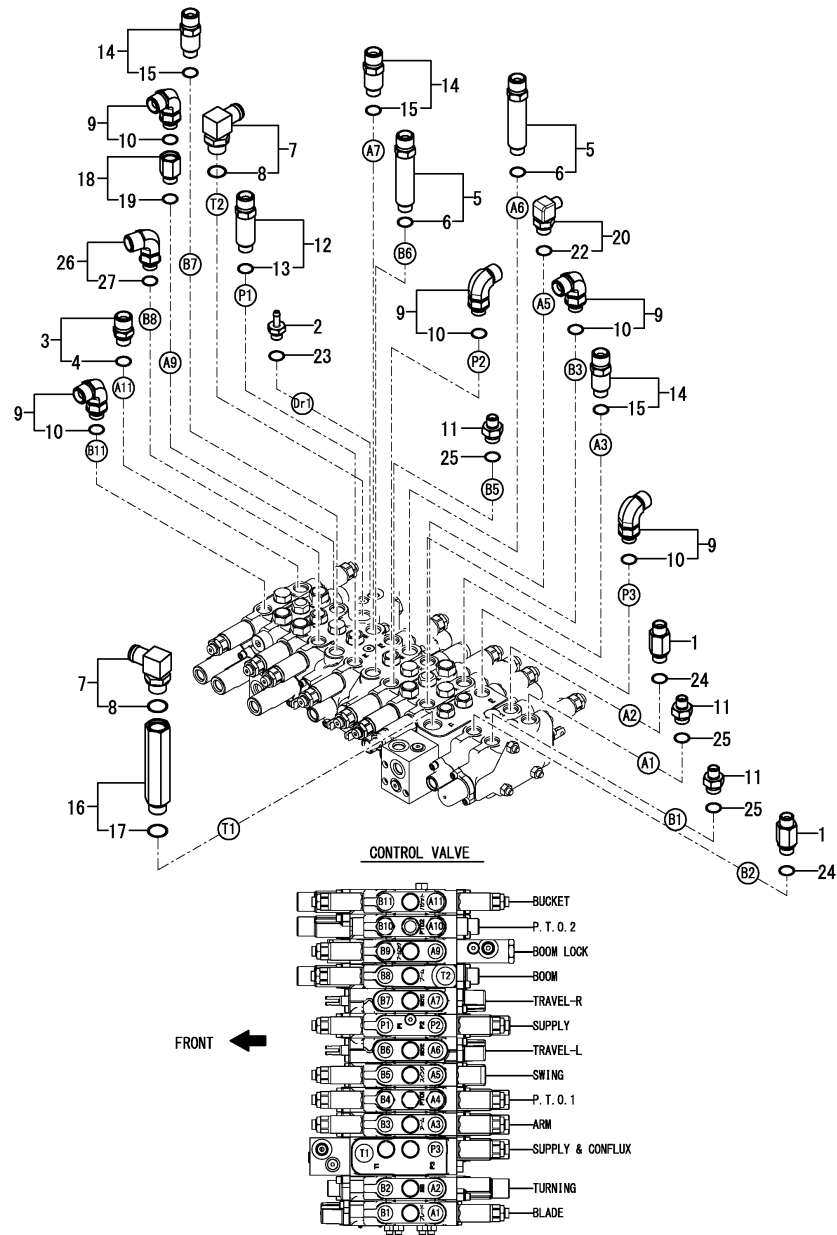
(A)=VIO50-6A P(US)
 (B)=VIO50-6A C(US)
 (C)=

(D)=
 (E)=
 (F)=



No.	Lev.	Parts No.	Description	Q'ty						I	R
				(A)	(B)	(C)	(D)	(E)	(F)		
1	1	172B03-74560	VALVE ASSY,L-N	1	1						
2	2	172151-73400	PLUG	4	4						
3	2	172151-73420	SEAL	4	4						
4	2	172151-73450	WASHER	4	4						
5	2	172A64-74590	PLATE	1	1						
6	2	172B03-74590	LEVER	1	1						
7	2	172A64-74600	ROD,PUSH	4	4						
8	2	172A64-74610	SEAT, SPRING	4	4						
9	2	172A64-74620	SPRING	4	4						
10	2	172A64-74630	SPRING	4	4						
11	2	172A64-74640	JOINT	1	1						
12	2	172A64-74650	PLATE	1	1						
13	2	172A64-74660	NUT	1	1						
14	2	172A64-74680	BELLOWS	1	1						
15	2	172B03-74680	HANDLE ASSY,N	1	1						
16	3	22853-300161	SCREW, 3.0 X 16	3	3						
17	2	172A64-74900	NUT, LOCK	1	1						
18	2	172A64-74930	PIN,SPRING	1	1						
19	2	24315-000200	O-RING, 1BP20.0	4	4						
20	1	172A78-74651	PLATE,VALVE	1	1						
21	1	26014-060352	BOLT, M6X 35	3	3						

Fig.163. CONTROL VALVE(FITTING)(1)



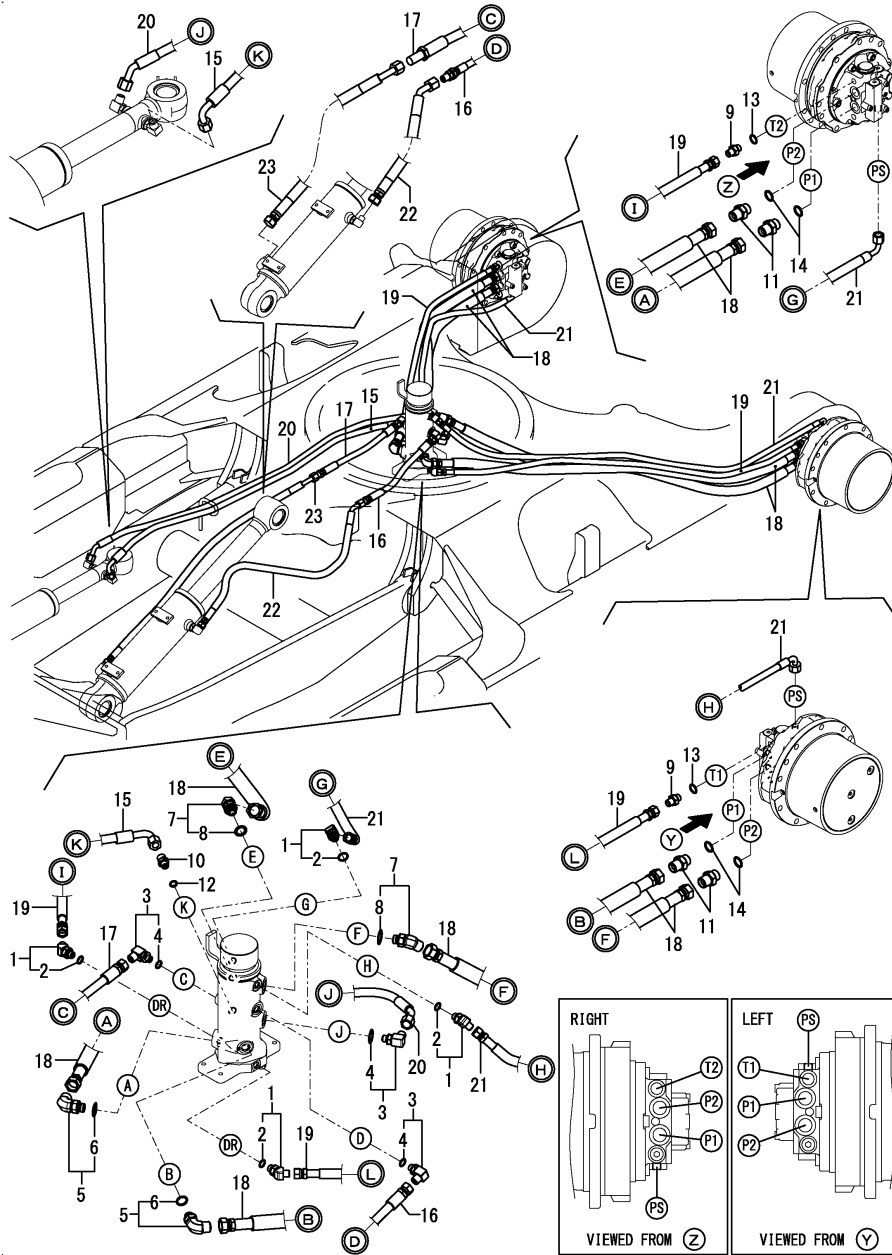
(A)=VIO50-6A P(US)
 (B)=VIO50-6A C(US)
 (C)=

(D)=
 (E)=
 (F)=

No.	Lev.	Parts No.	Description	Q'ty						I	R
				(A)	(B)	(C)	(D)	(E)	(F)		
1	1	172B03-76070	CONNECTOR, G3/8X3/8	2	2						
2	1	172B03-76080	NIPPLE, G1/4	1	1						
3	1	172B03-76110	CONNECTOR, G1/2X3/8	1	1						
4	2	41851-000140	O-RING	1	1						
5	1	172B03-76120	CONNECTOR, G1/2X3/8L	2	2						
6	2	41851-000140	O-RING	2	2						
7	1	172164-76131	ELBOW	2	2						
8	2	24315-000180	O-RING, 1BP18.0	2	2						
9	1	172B03-76130	ELBOW	5	5						
10	2	41851-000140	O-RING	5	5						
11	1	172124-76160	CONNECTOR	3	3						
12	1	172B03-76160	CONNECTOR, G1/2X3/8M	1	1						
13	2	41851-000140	O-RING	1	1						
14	1	172B03-76170	CONNECTOR, G1/2X3/8S	3	3						
15	2	41851-000140	O-RING	3	3						
16	1	172B03-76190	ADAPTER	1	1						
17	2	41851-000180	O-RING	1	1						
18	1	172B03-76630	ADAPTER	1	1						
19	2	41851-000140	O-RING	1	1						
20	1	172141-76920	CONNECTOR ASSY	1	1						
22	2	24315-000140	O-RING, 1BP14.0	1	1						
23	1	41851-000110	O-RING	1	1						
24	1	41851-000140	O-RING	2	2						
25	1	41851-000140	O-RING	3	3						
26	1	172B03-76130	ELBOW	1	1						
27	2	41851-000140	O-RING	1	1						

Remarks
 * Not applied for angle blade specification.

Fig.173. TRAVEL FRAME(ANGLE BLADE SPEC.)



(A)=VIO50-6A P(US)
 (B)=VIO50-6A C(US)
 (C)=

(D)=
 (E)=
 (F)=

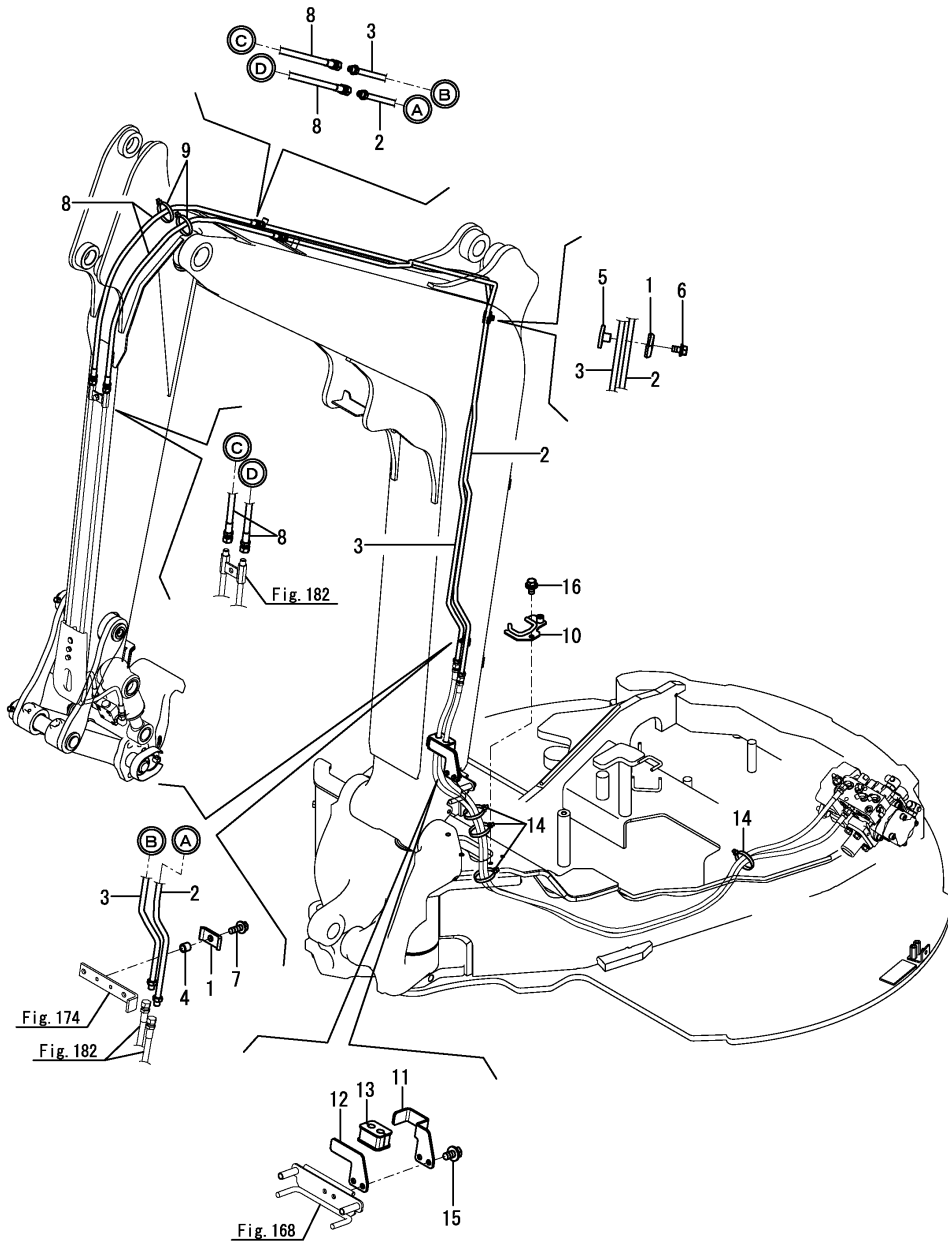
No.	Lev.	Parts No.	Description	Q'ty						I	R
				(A)	(B)	(C)	(D)	(E)	(F)		
1	1	172173-76102	CONNECTOR ASSY	4	4						
2	2	41851-000110	O-RING	4	4						
3	1	172173-76121	CONNECTOR ASSY	3	3						
4	2	24315-000110	O-RING, 1BP11.0	3	3						
5	1	172B03-76130	ELBOW	2	2						
6	2	41851-000140	O-RING	2	2						
7	1	172B03-76150	ELBOW	2	2						
8	2	41851-000140	O-RING	2	2						
9	1	172124-76160	CONNECTOR	2	2						
10	1	172638-76190	CONNECTOR,PF1/4PF3/8	1	1						
11	1	172112-77361	CONNECTOR	4	4						
12	1	41851-000110	O-RING	1	1						
13	1	41851-000140	O-RING	2	2						
14	1	41851-000180	O-RING	4	4						
15	1	172A79-78220	HOSE F206CC116W	1	1						
16	1	172B04-78320	HOSE, H106BX037	1	1						
17	1	172B04-78350	HOSE, H206BX035	1	1						
18	1	172B04-78360	HOSE, H108BB126W	4	4						
19	1	172B04-78380	HOSE, F204BB123W	2	2						
20	1	172B05-79090	HOSE, F206EE142W	1	1						
21	1	172B05-79100	HOSE, F204CE150W	2	2						
22	1	172B05-78790	HOSE, F206BE084W	1	1						
23	1	172B05-78800	HOSE, H106BE112W	1	1						

Remarks

* Exclusive figure for angle blade specification.

N:Old $\begin{matrix} \text{Yes} \\ \text{No} \end{matrix}$ New, Q:Old $\begin{matrix} \text{No} \\ \text{Yes} \end{matrix}$ New, R:Old $\begin{matrix} \text{Yes} \\ \text{No} \end{matrix}$ New, S:Old $\begin{matrix} \text{No} \\ \text{Yes} \end{matrix}$ New, W:Add, Z:Discontinued, F:Interchangeable by set, K:Q'ty Change

Fig.183. QUICK COUPLER(HYD. OIL PIPING)(2)



(A)=VIO50-6A P(US)
 (B)=VIO50-6A C(US)
 (C)=

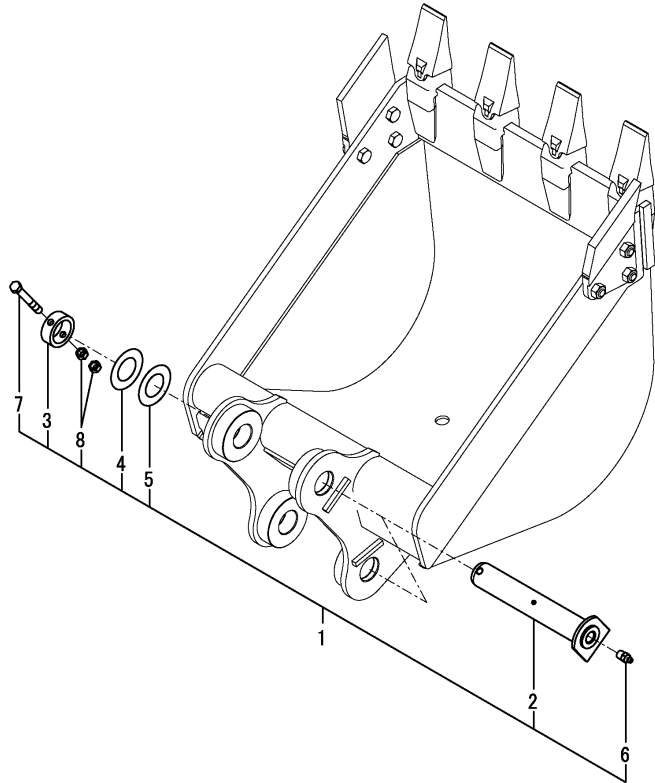
(D)=
 (E)=
 (F)=

No.	Lev.	Parts No.	Description	Q'ty						I	R
				(A)	(B)	(C)	(D)	(E)	(F)		
1	1	172110-76170-5	PLATE	2	2						
2	1	172B04-76550	TUBE ASSY,L QH	1	1						
3	1	172B04-76570	TUBE ASSY,R QH	1	1						
4	1	172137-76580	COLLAR	1	1						
5	1	172B04-77400	CLAMP ASSY,TUBE	1	1						
6	1	26014-080162	BOLT, M8X 16	1	1						
7	1	26014-080252	BOLT, M8X 25	1	1						
8	1	172B04-79030	HOSE, H604BB104K	2	2						
9	1	172122-79890	CLAMP, HOSE	2	2						
10	1	172B04-77700	GUIDE ASSY,Q-K	1	1						
11	1	172B04-79650	PLATE,CLAMP A	1	1						
12	1	172B04-79660	PLATE,CLAMP B	1	1						
13	1	172B04-79680	RUBBER, CLAMP Q	1	1						
14	1	172122-79890	CLAMP, HOSE	4	4						
15	1	26014-100202	BOLT, M10X 20	2	2						
16	1	26014-100202	BOLT, M10X 20	1	1						

Fig.193. BUCKET PIN(STD)

(A)=VIO50-6A P(US)
 (B)=VIO50-6A C(US)
 (C)=

(D)=
 (E)=
 (F)=

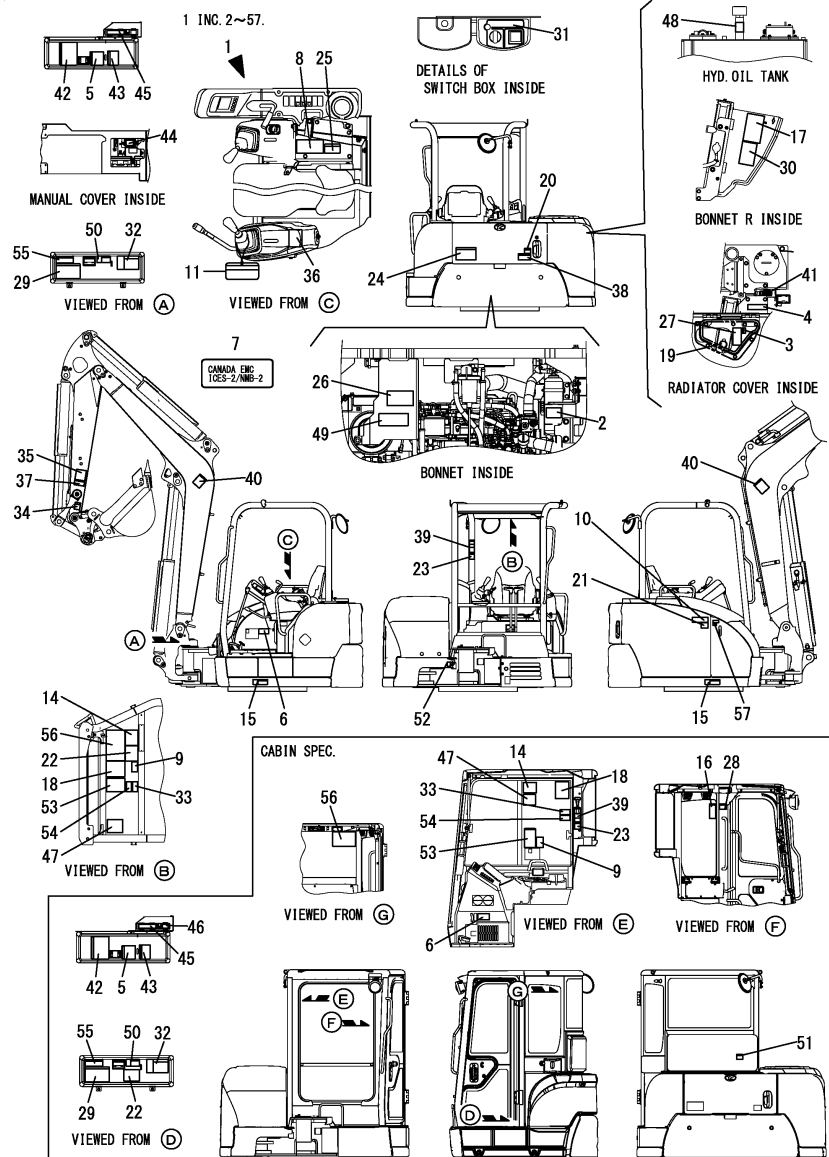


No.	Lev.	Parts No.	Description	Q'ty						I	R
				(A)	(B)	(C)	(D)	(E)	(F)		
1	1	172176-81950	PIN KIT, BUCKET	2	2						
2	2	172176-81561	PIN ASSY, 45X271	2	2						
3	2	172176-81640	COLLAR	2	2						
4	2	172165-82550	SHIM	2	2						
5	2	172165-82560	SHIM	2	2						
6	2	24761-020000	NIPPLE, GREASE PT1/8	2	2						
7	2	26116-100752	BOLT, M10X 75 PLATED	2	2						
8	2	26716-100002	NUT, M10	4	4						

Fig.201. LABEL KIT(FOR CANADA)(ANGLE BLADE SPEC.)(OPTIONAL)

(A)=VIO50-6A P(US)
 (B)=VIO50-6A C(US)
 (C)=

(D)=
 (E)=
 (F)=



No.	Lev.	Parts No.	Description	Q'ty						I	R
				(A)	(B)	(C)	(D)	(E)	(F)		
54	2	172B03-04610	LABEL,SAND CA	1	1						2
55	2	172B04-04630	LABEL,SPEC ANG CA 50	1	1						
56	2	172B04-04640	LABEL,LIFT ANGLECA50	1	1						
57	2	129942-07761	LABEL, FUEL OIL CAUT	1	1						

Remarks

- * Exclusive figure for angle blade specification.
- * DPF: DPF stands for DIESEL PARTICULATE FILTER.
- (1)Cabin specification.
- (2)Quick coupler specification.
- (3)Air Conditioner specification.

Parts No. Index

Parts No.	Fig. No.	Ref. No.
172A23-72081	124	5
172A25-68301-2	113	1
172A25-68500	113	2
172A27-72951-N	122	43
	123	43
172A36-03411	1	8
	96	8 C
172A36-74750	154	7
	155	7
172A36-74780	154	8
	155	8
172A37-03150	200	2
	201	2
172A37-03160	200	3
	201	3
172A37-03180	200	4
	201	4
172A37-03220	200	5
	201	5
172A37-03231	200	6
	201	6
172A37-03241	200	8
	201	8
172A37-03250	200	9
	201	10
172A37-03271	200	13
	201	14
172A37-03280	200	14
	201	15
172A37-03290	200	16
	201	17
172A37-03300	200	17
	201	18
172A37-03330	200	19
	201	20
172A37-03360	200	21
	201	22
172A37-03370	200	22
	201	23
172A37-03400	200	24
	201	25
172A37-03410	200	26
	201	27
172A37-03420	200	27
	201	28
172A37-03430	200	28
	201	29
172A37-03500	200	31
	201	32
172A37-03520	200	32

Parts No.	Fig. No.	Ref. No.
172A37-03520	201	33
172A37-03530	200	33
	201	34
172A37-03680	200	36
	201	37
172A37-03710	200	37
	201	38
172A37-03720	200	38
	201	39
172A37-03730	200	39
	201	40
172A38-03201	2	3
	16	15 A
172A38-03211	2	4
	76	6 A
172A46-13780	96	4
172A46-46500	67	2
172A46-46530	67	3
172A46-53360	205	7
172A46-72070	121	5
	122	4
	123	4
	124	4
172A47-03371	3	18
	4	18
	5	23
	6	23
172A47-03651	200	35
	201	36
172A47-11200	45	2
172A47-14220	17	8
172A47-14520	19	40
172A47-65550	8	4
	97	5
172A47-68860	114	2
172A47-68870	114	3
172A47-68880	114	4
172A47-68890	114	5
172A47-72840	121	39
	122	42
	123	42
	124	31
172A47-72881-N	124	32
172A47-73310	131	20
172A47-73320	131	51
172A47-74121	175	1
172A47-74260	142	21
	150	21
172A47-74270	138	17
	146	17

Parts No.	Fig. No.	Ref. No.
172A47-74350	139	8
	147	8
172A47-74360	139	9
	147	9
172A47-74370	139	10
	147	10
172A47-74380	139	11
	147	11
172A47-74460	138	20
	146	20
172A47-74560	138	22
	146	22
172A47-74570	138	23
	146	23
172A47-74580	138	24
	146	24
172A47-74770	156	12
172A47-74920	138	26
	146	26
172A47-74930	138	27
	146	27
172A47-74950	137	15
	142	27
	145	30
	150	27
172A47-74970	137	16
	145	31
172A47-74980	139	17
	147	17
172A47-75450	137	34
	145	34
172A47-75460	137	32
	145	15
172A47-75480	143	15
	151	18
172A47-75620	137	29
	138	28
	141	25
	145	12
	146	28
	149	25
172A47-75680	138	29
	142	28
	146	29
	150	28
172A47-75690	138	30
	146	30
172A47-75720	142	29
	150	29
172A47-76111	30	2

Parts No.	Fig. No.	Ref. No.
172A47-76151	161	3
172A47-76180	164	9
	166	11
172A47-76270	164	26
172A47-76280	164	27
172A47-76290	164	12
	166	14
172A47-76310	164	14
	166	16
172A47-76460	174	11
172A47-77820	187	5
172A47-81921	189	10
172A47-81980	125	22
172A48-74200	137	2
	138	2
	140	2
	141	2
	145	17
	146	2
	148	2
	149	2
172A48-74210	139	2
	147	2
172A52-76110	162	3
172A64-03380	1	6
	96	8 A
172A64-03390	200	23
	201	24
172A64-17250	28	29
172A64-64940	76	5
172A64-65160	46	4
172A64-74590	152	5
	153	5
172A64-74600	152	7
	153	7
172A64-74610	152	8
	153	8
172A64-74620	152	9
	153	9
172A64-74630	152	10
	153	10
172A64-74640	152	11
	153	11
172A64-74650	152	12
	153	12
172A64-74660	152	17
	153	13
172A64-74670	152	15
172A64-74680	152	18
	153	14

CLICK HERE TO **DOWNLOAD** THE COMPLETE MANUAL

- Thank you very much for reading the preview of the manual.
- You can download the complete manual from: www.heydownloads.com by clicking the link below



- Please note: If there is no response to CLICKING the link, please download this PDF first and then click on it.

CLICK HERE TO **DOWNLOAD** THE COMPLETE MANUAL