
Parts Catalog

Model 8HBW23 Pallet Truck

Model

8HBW23

Serial Number

00125 & up

00715-00150-15

04 Nov 2015

CLICK HERE TO **DOWNLOAD** THE COMPLETE MANUAL

- Thank you very much for reading the preview of the manual.
- You can download the complete manual from: www.heydownloads.com by clicking the link below



- Please note: If there is no response to CLICKING the link, please download this PDF first and then click on it.

CLICK HERE TO **DOWNLOAD** THE COMPLETE MANUAL

List 1-R: Recommended (Sheet 1 of 2)

SERVICE TYPE	PART NUMBER	DESCRIPTION	SERVICE GROUP	ITEM NO.	QTY
R	00590-53069-71	Battery, AGM	506	28	4
R	00590-40409-71	Battery, Wet Cell	506	9	4
R	00590-40817-71	Bearing	703	5	4
R	00590-42428-71	Bearing	306	4	2
R	00590-43300-71	Bearing	302	8	2
R	00590-43317-71	Bearing	802	14	2
R	00590-43364-71	Bearing, Ball	505	6	1
R	00590-43429-71	Bearing, Ball	402	14	2
R	00590-54097-71	Bearing, Ball	505	7	1
R	00590-54113-71	Bearing, Ball	402	15	1
R	00590-54115-71	Bearing, Ball	402	13	1
R	00590-04792-71	Bearing, Cone	802	5	1
R	00590-04793-71	Bearing, Cup	802	5	1
R	00590-43299-71	Bearing, Sealed	703	5	4
R	00590-47848-71	Bearing, Thrust	802	8	1
R	00590-43276-71	Bushing	701	18	4
R	00590-43276-71	Bushing (Included in Pullrod Assembly)	701	1	4
R	00590-55957-71	Card Assembly, Display	305	10	1
R	00590-55955-71	Card Assembly, VM	305	8	1
R	00590-40800-71	Connector, Battery, Gray	503	10	1
R	00590-40416-71	Connector, Battery, Red	506	10	1
R	00590-54729-71	Fuse (125 Amp)	504	1	1
R	00590-45998-71	Fuse (350 Amp)	503	28	1
R	00590-54727-71	Fuse (400 Amp)	503	29	1
R	00590-54717-71	Fuse, Potted	502	33	1
R	00590-54716-71	Fuse, Potted (125 Amp), EE	504	4	1
R	00590-55959-71	Gasket, Display	305	12	1
R	00590-55956-71	Gasket, E Steer Handle	305	9	1
R	00590-53039-71	Horn	503	14	1
R	00590-46827-71	Kit, Relief Valve	602	2	1
R	00590-53203-71	Kit, Solenoid Valve	602	4	1
R	00590-43500-71	Kit, Start Switch	602	9	1
R	00590-46362-71	O-Ring	802	20	1
R	00590-48916-71	Resistor	503	9	1
R	00590-49193-71	Resistor Assembly	503	12	1
R	00590-54731-71	Rotor, Brake	403	3	1
R	00590-43431-71	Seal, Ring	402	17	2
R	00590-05063-71	Seal, Rod	603	4	1

Service Type R = Recommended Spare

List 2-2: Finish Instructions

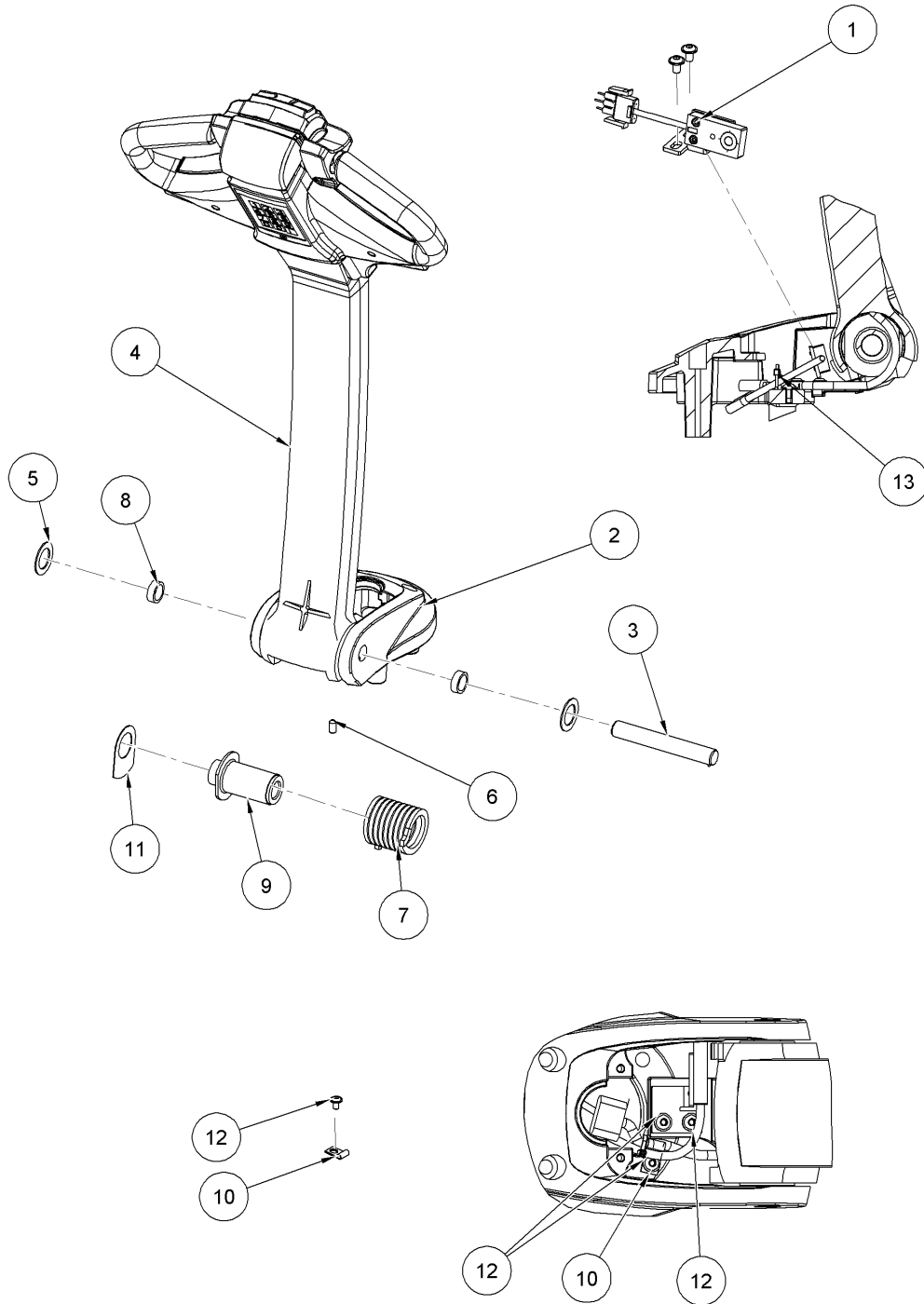
FIGURE 2-2 ITEM NO.	QTY	PART NUMBER	DESCRIPTION	SERVICE TYPE	USED ON
			Finish Instructions		
1	1	00590-52546-71	Decal, Toyota		
	1	00590-52544-71	Decal, Toyota, Black		
3	1	00590-53187-71	Decal, Owner Operator		
6	1	00590-52542-71	Decal, No Riding		
7	1	00590-52545-71	Decal, Owner/Operator		
8	1	00590-47497-71	Decal, Emergency Disconnect		
9	1	00590-43331-71	Decal, Steam Clean		
10	1	00590-53089-71	Decal, Warning		
11	1	Ref.	Specification Tag	C	
12	1	00590-45412-71	Decal, Battery Connection		
13	1	00590-40452-71	Decal, Warning		
14	1	00590-51098-71	Decal, Click to Creep		
15	2	00590-48392-71	Decal, AC Powered		
16	2	00590-53104-71	Decal, Reflector, Bumper		
17	2	00590-53097-71	Decal, Reflector, Fork Tip		
18	6	00590-53098-71	Decal, Reflector, Tiller		A
19	2	00590-44371-71	Decal, EE		
20	4	00590-05115-71	Tack, Metal		
21	1	Ref.	Decal, Spec. Plate (EE)	C	
22	1	00590-47465-71	Decal, E		
23	2	00590-53105-71	Decal, Reflector, Bumper		

A = Quantity 3 W/Loadbackrest

Service Type C = Critical Part

Handle Assembly

Figure 3-2.a: Handle Assembly



List 3-6: Thumb Wheel Assembly

FIGURE 3-6 ITEM NO.	QTY	PART NUMBER	DESCRIPTION	SERVICE TYPE	USED ON
			Thumb Wheel Assembly		
		00590-43360-71	Wheel Assembly, Thumb		
1	2	00590-42466-71	Screw	H	
2	2	00590-42468-71	Washer	H	
3	1	00590-43327-71	Rocker, Left		
4	2	00590-42428-71	Bearing	R	
5	2	00590-42426-71	Support		
6	1	00590-42422-71	Spring	R	
7	1	00590-42427-71	Arm		
8	1	00590-42417-71	Stop Lug		
9	1	00590-43333-71	Rocker, Right		
10	1	00590-42425-71	Axle		

Service Type R = Recommended Spare

Service Type H = Hardware

CLICK HERE TO **DOWNLOAD** THE COMPLETE MANUAL

- Thank you very much for reading the preview of the manual.
- You can download the complete manual from: www.heydownloads.com by clicking the link below



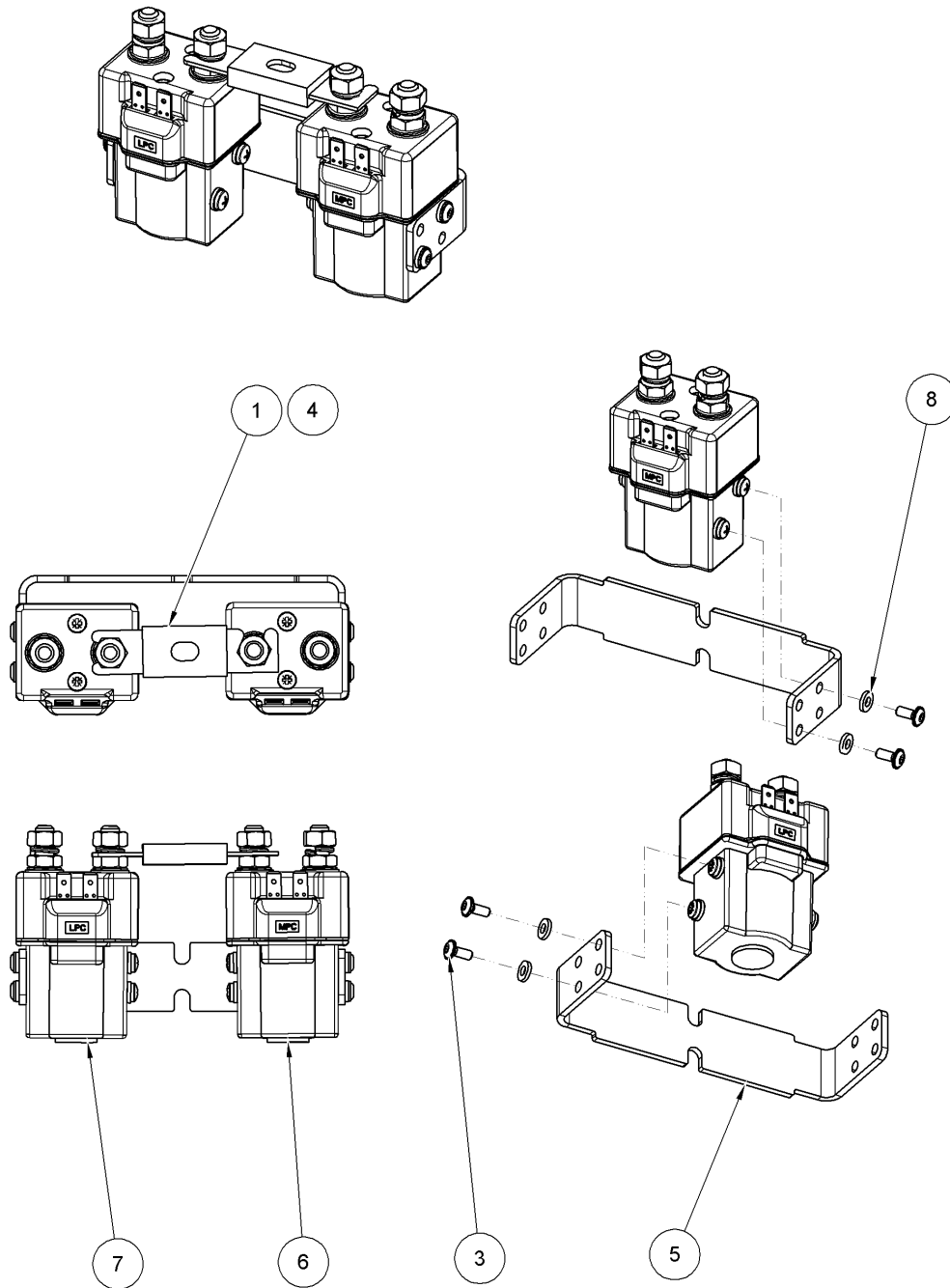
- Please note: If there is no response to CLICKING the link, please download this PDF first and then click on it.

CLICK HERE TO **DOWNLOAD** THE COMPLETE MANUAL

TOYOTA

Contactor and Fuse Assembly

Figure 5-4: Contactor and Fuse Assembly



List 5-6: Battery Pack Assembly (Sheet 2 of 2)

FIGURE 5-6 ITEM NO.	QTY	PART NUMBER	DESCRIPTION	SERVICE TYPE	USED ON
35	1	00590-53194-71	Bracket Weldment		
36	2	00590-53198-71	Spring, Compression		
37	2	00590-53099-71	Knob		
38	1	00590-53908-71	Cord, Power, 2 Meter (Not Shown)		
	1	00590-53880-71	Cord, Power, 3 Meter (Not Shown)		
47	1	005905409171	Decal, Warning		
51	1	00590-53450-71	Decal, Instructions		
52	1	00590-53498-71	Decal, Specification		A
	1	00590-53499-71	Decal, Specification		B
	1	00590-53500-71	Decal, Specification		C
53	1	00590-55995-71	Decal, Hook		
54	1	00590-55996-71	Decal, Do Not Lift		

A = No Battery

B = With Wet Cell Battery

C = With AGM Battery (Maintenance Free)

Service Type R = Recommended Spare

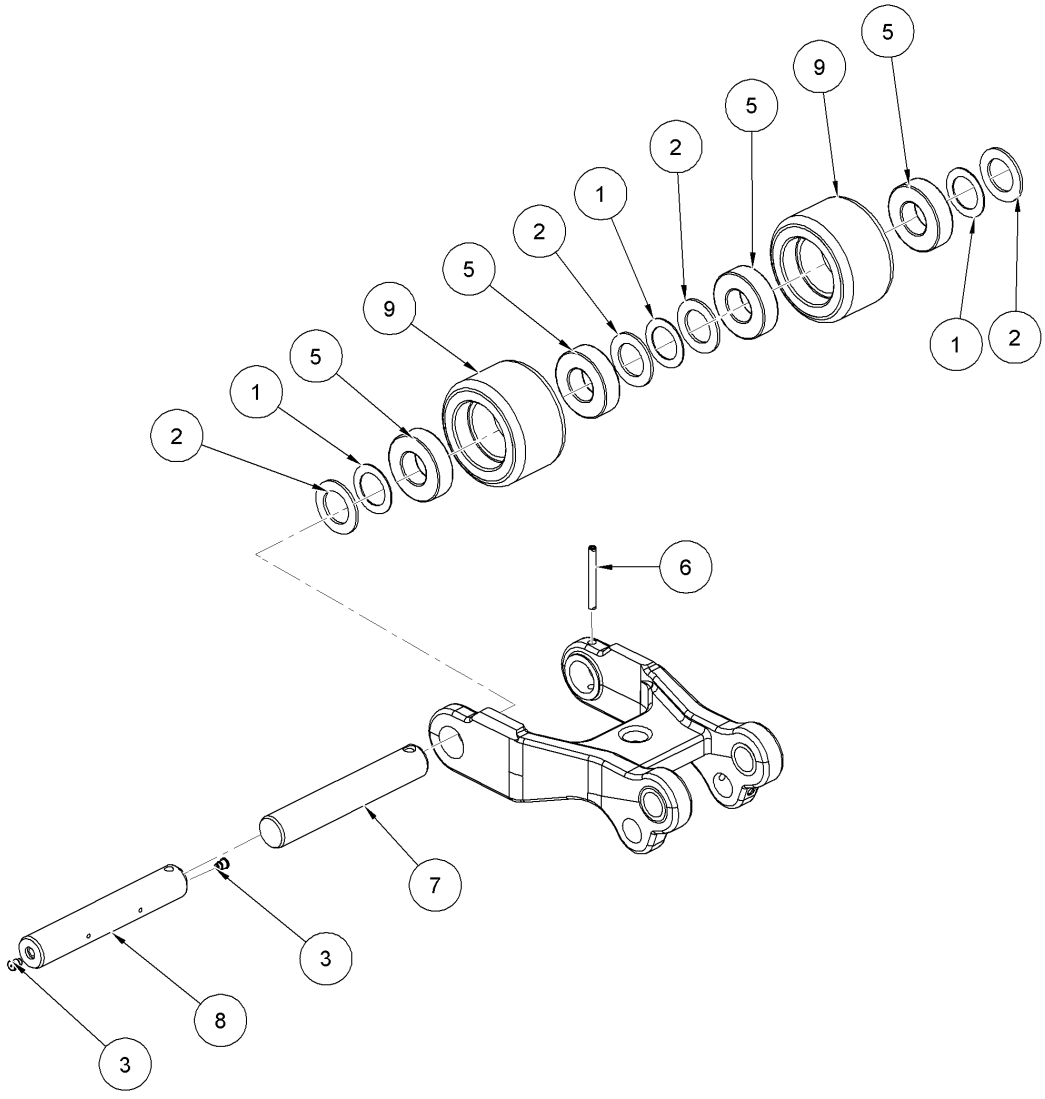
Service Type C = Critical Part

Service Type H = Hardware

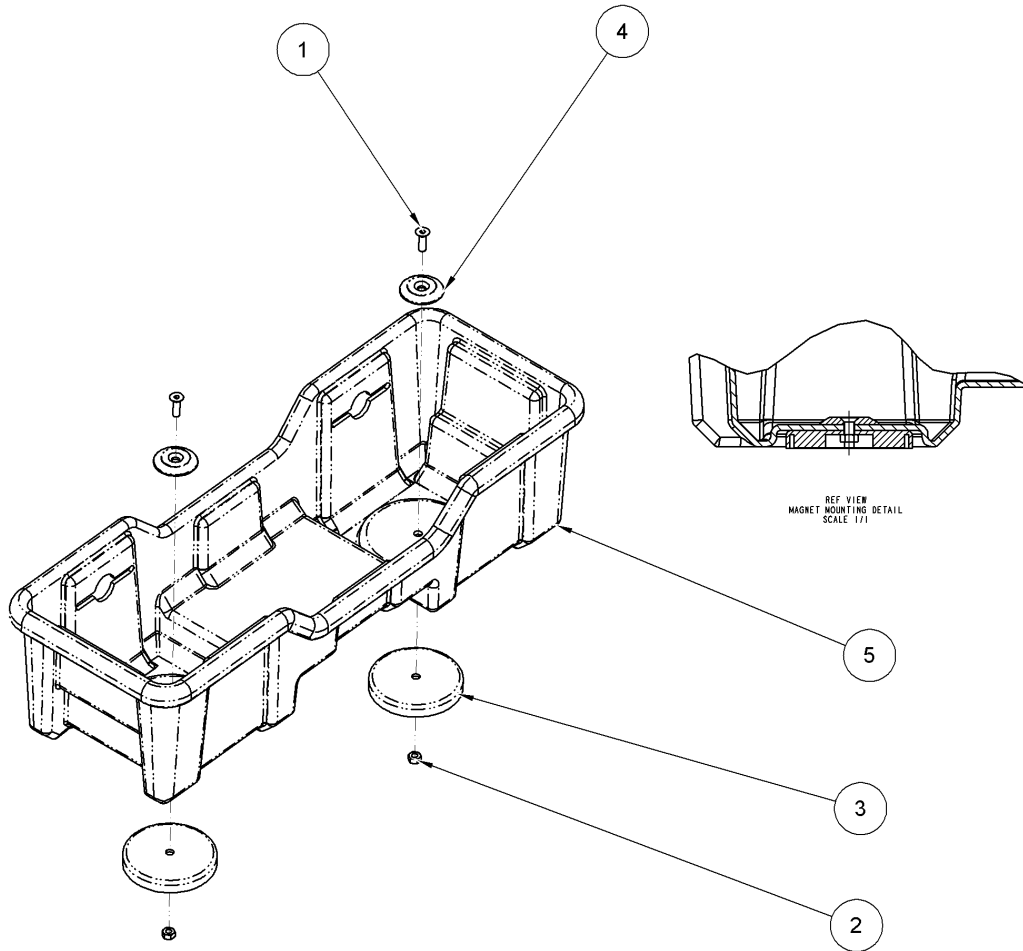
TOYOTA

Dual Load Wheel Assembly

Figure 7-3: Dual Load Wheel Assembly



Tray Assembly
Figure 8-4: Tray Assembly



CLICK HERE TO **DOWNLOAD** THE COMPLETE MANUAL

- Thank you very much for reading the preview of the manual.
- You can download the complete manual from: www.heydownloads.com by clicking the link below



- Please note: If there is no response to CLICKING the link, please download this PDF first and then click on it.

CLICK HERE TO **DOWNLOAD** THE COMPLETE MANUAL