

TOYOTA

INDUSTRIAL EQUIPMENT PARTS CATALOG

| | | |
|----------------|-----------|--|
| MODEL | 7 F B E | |
| FRAME NO. | 7 F B E | |
| LIFTING HEIGHT | , m m | |

7FBEU15,18,20

7FBEHU18

No.G846-1

15/10 MAIN OPS

DESCRIPTION

| | |
|--|----------------|
| | RUST PROOF |
| | COLD FISHER |
| | 45SD |
| | SAS |
| | DEAD-MAN |
| | BATT.ROLL OUT |
| | FRONT GLASS |
| | HEADLIGHTS |
| | RR WORKING |
| | RR COMBI.LIGHT |
| | FR COMBI.LIGHT |
| | ROTARY LAMP |
| | ADJUST-VOLUME |
| | BACKREST |
| | TILT BOOTS |

TOYOTA Material Handling Company

A Division of TOYOTA INDUSTRIES CORPORATION

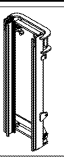
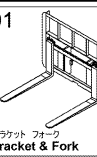




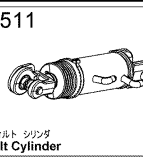
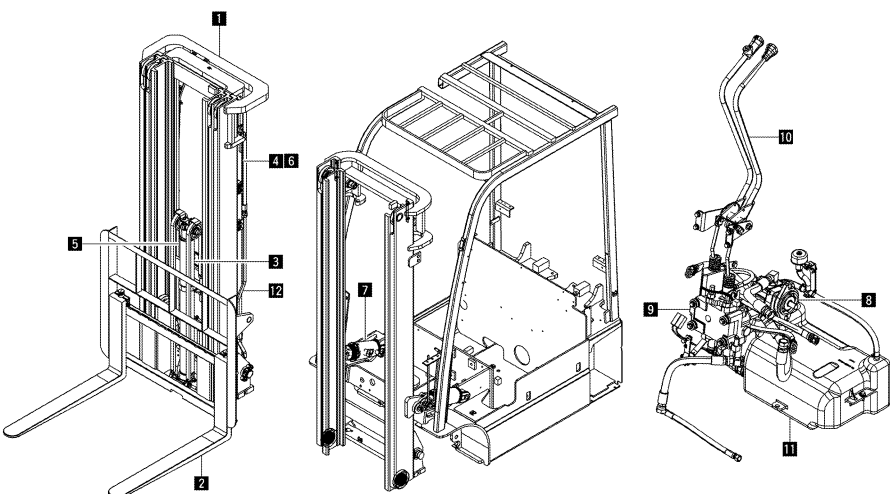
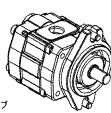
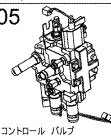

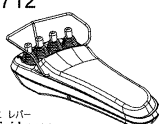
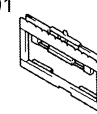
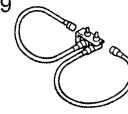

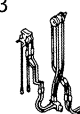

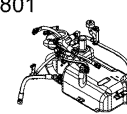
CLICK HERE TO **DOWNLOAD** THE COMPLETE MANUAL

- Thank you very much for reading the preview of the manual.
- You can download the complete manual from: www.heydownloads.com by clicking the link below



- Please note: If there is no response to CLICKING the link, please download this PDF first and then click on it.

CLICK HERE TO **DOWNLOAD** THE COMPLETE MANUAL

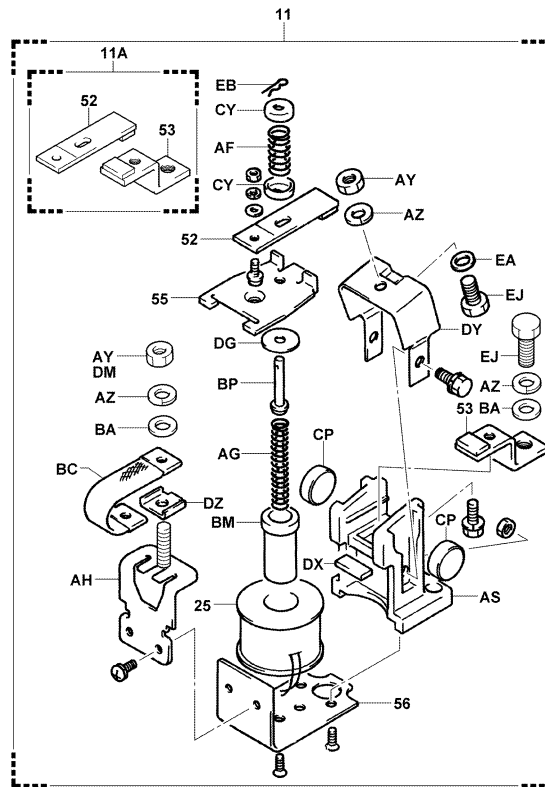
| FIG.INDEX | ILLUSTRATED INDEX INDEX ILLUSTRÉ | INDIOE ILLUSTRADO ILLUSTRIRTES INHALTSVERZEICHNIS | | | | | | | | |
|--|---|--|---|--|--|--|---|---|--|---|
| 6101  マスト Mast | 1 6301  リフト ブラケット フォーク Lift Bracket & Fork | 2 6302  チェーン チェーン ホール Chain & Chain Wheel | 3 6501 (V)  リフト シリンダ Lift Cylinder | 4 6502 (FSV,FV)  フロント リフト シリンダ Front Lift Cylinder | 5 6503 (FSV,FV)  リヤ リフト シリンダ Rear Lift Cylinder | 6 6511  ティルト シリンダ Tilt Cylinder | | | | |
| マスト ハイドロリック コンポーネント グループ MAST HYDRAULIC COMPONENT GROUP  | | | | | | | 7 6701  オイル ポンプ Oil Pump | 8 6705  オイル コントロール バルブ Oil Control Valve | 9 6709  オイル コントロール バルブ リンク Oil Control Valve Link | 10 6712  ミニ レバー Mini Lever |
| <div style="display: flex; justify-content: space-between;"> <div data-bbox="352 909 512 1055"> 8201  サイド シフト フォーク Side Shift Fork </div> <div data-bbox="512 909 671 1055"> 7709  サイド シフト フォーク パイピング Side Shift Fork Piping </div> <div data-bbox="671 909 831 1055"> 7501  サイド シフト シリンダ Side Shift Cylinder </div> <div data-bbox="831 909 991 1055"> 6803  マスト パイピング Mast Piping </div> <div data-bbox="991 909 1150 1055"> 6802  マスト パイピング Mast Piping </div> <div data-bbox="1150 909 1520 1055"> 11 6801  ボデー パイピング Body Piping </div> </div> | | | | | | | 0000-856A 0000-856A | | | |

| FIG.INDEX | ILLUSTRATED INDEX INDEX ILLUSTRÉ | INDIOE ILLUSTRADO ILLUSTRIRTES INHALTSVERZEICHNIS |
|-----------|-------------------------------------|--|
| | | |

2403

CONTACTOR ASSY
ENS. DE CONTACTEUR

SCHALTSCHUTZ-VOLLST.
CONJUNTO DEL CONTACTOR



2403-089B

2403-089B

2403

CONTACTOR ASSY
ENS. DE CONTACTEUR

SCHALTSCHUTZ-VOLLST.
CONJUNTO DEL CONTACTOR

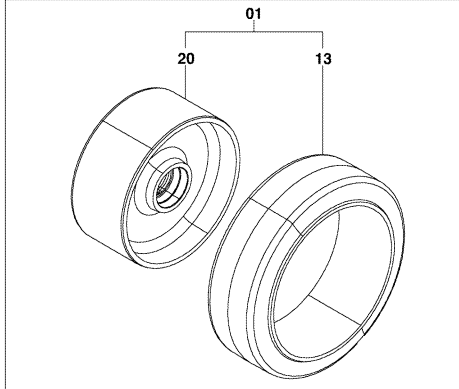
| PART NAME CODE | PART NAME | QTY | PART NAME CODE | PART NAME | QTY |
|----------------|---|-----|----------------|---|-----|
| 2403-11 | CONTACTOR ASSY, SHORT ENS. DE CONTACTEUR SCHALTSCHUTZ, VOLLST. CONJUNTO DE CONTACTOR | 1 | 2403-AS | BASE EMBASE SOCKEL BASE | 1 |
| 2403-11A | CONTACT SET RESSORT FEDER RESORTE | 1 | 2403-AY | NUT ECROU MUTTER TUERCA | 2 |
| 2403-25 | COIL SUB-ASSY SOUS-ENS. DE BOBINE SPULE-TEILGRUPPE SUBCONJUNTO DE BOBINA | 1 | 2403-AZ | WASHER, SPRING RODELLE UNTERLEGSSCHEIBE ARANDELA | 3 |
| 2403-52 | CONTACT, MOVING CONTACT KONTAKT CONTACTO | 1 | 2403-BA | WASHER, PLATE RODELLE UNTERLEGSSCHEIBE ARANDELA | 2 |
| 2403-53 | CONTACT, STATIONARY CONTACT KONTAKT CONTACTO | 1 | 2403-BC | WIRING FAISCEWAU DE RILE VERKABELUNG CONEXIONES | 1 |
| 2403-55 | ARMATURE ARMATURE ANKER INDUCIDO | 1 | 2403-BM | CORE NOYAU KERN NUCLEO | 1 |
| 2403-56 | FRAME CADRE RAHMEN BASTIDOR | 1 | 2403-BP | PIN GOUPILLE STIFT PASADOR | 1 |
| 2403-AF | SPRING, NO.1 RESSORT FEDER RESORTE | 1 | 2403-CP | MAGNET AIMANT MAGNET MAGNETO | 2 |
| 2403-AG | SPRING, NO.2 RESSORT FEDER RESORTE | 1 | 2403-CY | HOLDER SUPPORT DUSENSTOCR SOPORTE PORTADOR | 2 |
| 2403-AH | TERMINAL BORNE ANSCHLUSS TERMINAL | 1 | 2403-DG | SHEET TOLE VENTILSITZ LAMINA | 1 |

4403

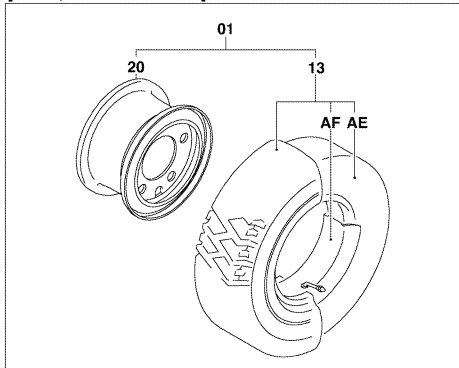
REAR WHEEL & TIRE
PNEU & ROUE ARRIERE

HINTERRAD & REIFEN
RUEDA Y NEUMATICO TRASEROS

[SMOOTH, SMOOTH NON-MARK, LUG, LUG NON-MARKING]



[J-LUG, J-LUG NON PUNC]



4403-115A

4403-115A

4403

REAR WHEEL & TIRE
PNEU & ROUE ARRIERE

HINTERRAD & REIFEN
RUEDA Y NEUMATICO TRASEROS

| PART NAME CODE | PART NAME | QTY | PART NAME CODE | PART NAME | QTY |
|----------------|--|-----|----------------|-----------|-----|
| 4403-01 | WHEEL ASSY ----- ENS. DE ROUE RAD, VOLLST. CONJUNTO DE LA RUEDA | 2 | | | |
| 4403-13 | TIRE ASSY ----- ENS. DE PNEU REIFEN, VOLLST. CONJUNTO DEL NEUMATICO | 2 | | | |
| 4403-20 | WHEEL SUB-ASSY, DISC ----- SOUS-ENS. DE ROUE RAD-TEILGRUPPE SUBCONJUNTO DE LA RUEDA | 2 | | | |
| 4403-AE | TUBE SUB-ASSY ----- SOUS-ENS. DE TUBE ROHR-TEILGRUPPE SUBCONJUNTO DE TUBO | 2 | | | |
| 4403-AF | FLAP ----- BAVETTE KLAPPE PROTECTOR | 2 | | | |

| 4601 | | PARKING BRAKE FREIN DE STATIONNEMENT | | FESTSTELLBREMSE FRENO DE ESTACIONAMIENTO | | |
|-------------------|---|---|-------------------|--|-----|--|
| PART NAME CODE | PART NAME | QTY | PART NAME CODE | PART NAME | QTY | |
| 4601-21 | WIRE SUB-ASSY, PARKING BRAKE SOUS-ENS. DE FIL DRAHT-TEILGRUPPE SUBCONJUNTO DE ALAMBRE | 1 | 4601-AT | NUT ECROU MUTTER TUERCA | 4 | |
| 4601-28 | LEVER SUB-ASSY, PARKING BRAKE SOUS-ENS. DE LEVIER HEBEL-TEILGRUPPE SUBCONJUNTO DE LA PALANCA | 1 | 4601-AZ | BUSHING BAGUE BUCHSE BUJE | 2 | |
| 4601-43 | TURNBUCKLE TENDEUR SPANNSCHLOSS TORNQUETE | 1 | 4601-BQ | NUT ECROU MUTTER TUERCA | 1-2 | |
| 4601-57 | ROD SUB-ASSY SOUS-ENS. DE BIELLE STANGEN-TEILGRUPPE SUBCONJUNTO DE LA VARILLA | 1 | 4601-BS | PIN, COTTER GOUVILLE STIFT PASADOR | 2 | |
| 4601-AA | CLIP AGRAFE CLIP FIJADOR | 1 | 4601-BW | BOLT BOULON SCHRAUBE PERNO | 1 | |
| 4601-AB | WASHER, PLATE RODELLE UNTERLEGSCHIEBE ARANDELA | 2 | 4601-BZ | BOLT BOULON SCHRAUBE PERNO | 1 | |
| 4601-AF | PIN, WHOLE GOUVILLE STIFT PASADOR | 2 | 4601-CM | SPRING RESSORT FEDER RESORTE | 1-3 | |
| 4601-AP | BUSHING BAGUE BUCHSE BUJE | 2 | 4601-DL | ROD SUB-ASSY SOUS-ENS. DE BIELLE STANGEN-TEILGRUPPE SUBCONJUNTO DE LA VARILLA | 1 | |
| 4601-AQ | RING, SNAP ANNEAU RING ANILLO | 2 | 4601-DW | PLATE PLAQUE PLATTE PLACA | 1 | |
| 4601-AR | BOLT BOULON SCHRAUBE PERNO | 2 | 4601-EG | BOLT BOULON SCHRAUBE PERNO | 2 | |

| 4601 | | PARKING BRAKE FREIN DE STATIONNEMENT | | FESTSTELLBREMSE FRENO DE ESTACIONAMIENTO | | |
|-------------------|---|---|-------------------|---|-----|--|
| PART NAME CODE | PART NAME | QTY | PART NAME CODE | PART NAME | QTY | |
| 4601-ES | BRACKET SUPPORT TRAGER SOPORTE | 1 | | | | |
| 4601-GJ | BOLT BOULON SCHRAUBE PERNO | 8 | | | | |
| 4601-HP | LINK SUB-ASSY, BRAKE SOUS-ENS. DE TRINGLE GELENKTEIL-TEILGRUPPE SUBCONJUNTO DE LA ARTICULACION | 1 | | | | |
| 4601-HX | BRACKET SUPPORT TRAGER SOPORTE | 1 | | | | |
| 4601-JH | ROD BIELLE STANGE VARILLA | 1 | | | | |
| 4601-JU | STAND SUB-ASSY SOUS-ENS. DE SUPPORT STANDER-TEILGRUPPE SUBCONJUNTO DEL SOPORTE | 1 | | | | |
| 4601-JV | COVER SUB-ASSY SOUS-ENS. DE COUVERCLE DECKEL-TEILGRUPPE SUBCONJUNTO DE CUBIERTA | 1 | | | | |

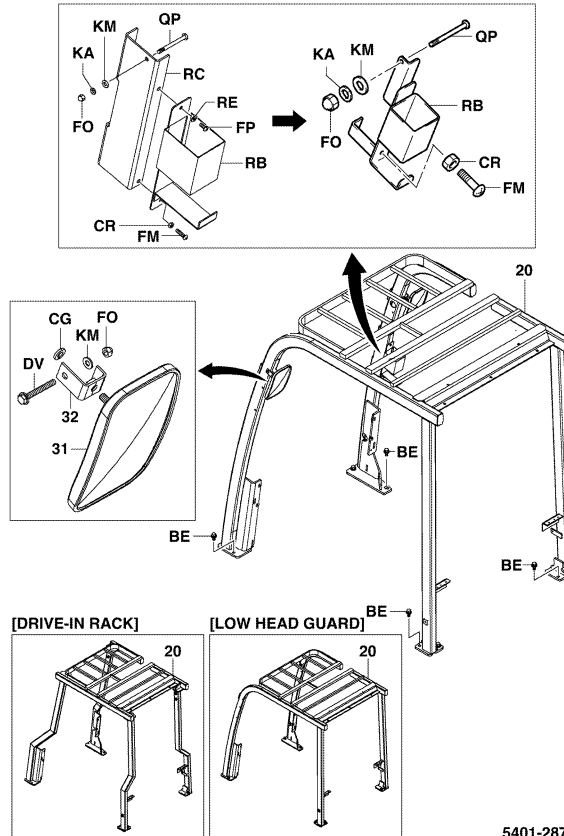
| 5201 | | HOOD & HINGE CAPOT & CHARNIERE | | HAUBE & SCHARNIER CAPO Y BISAGRA | |
|---------------------------|--|---|---------------------------|---|------------|
| PART NAME CODE | PART NAME | QTY | PART NAME CODE | PART NAME | QTY |
| 5201-PL | COVER ----- COUVERCLE DECKEL CUBIERTA | 1 | | | |
| 5201-RA | TRIM ----- GARNITURE ZIERSTREIFEN GUARNICION | 1 | | | |
| 5201-RW | BOLT ----- BOULON SCHRAUBE PERNO | 8 | | | |
| 5201-SJ | RIVET ----- RIVET NIET REMACHE | 2 | | | |
| 5201-TH | BOLT ----- BOULON SCHRAUBE PERNO | 2 | | | |
| 5201-TJ | TUBE ----- TUBE ROHR TUBO | 2 | | | |
| 5201-TN | SHEET ----- TOLE VENTILSITZ LAMINA | 1 | | | |
| 5201-UP | TRIM ----- GARNITURE ZIERSTREIFEN GUARNICION | 1 | | | |

| 5201 | | HOOD & HINGE CAPOT & CHARNIERE | | HAUBE & SCHARNIER CAPO Y BISAGRA | |
|---------------------------|------------------|---|---------------------------|---|------------|
| PART NAME CODE | PART NAME | QTY | PART NAME CODE | PART NAME | QTY |
| | | | | | |

5401

HEAD GUARD & ACCESSORY
GARDE AVANT & ACCESSOIRE

FAHRER SCHUTZDACH & ZUBEHÖR
PROTECTOR Y ACCESORIOS DE PARTE SUPERIOR



5401-287B

5401-287B

5401

HEAD GUARD & ACCESSORY
GARDE AVANT & ACCESSOIRE

FAHRER SCHUTZDACH & ZUBEHÖR
PROTECTOR Y ACCESORIOS DE PARTE SUPERIOR

| PART NAME CODE | PART NAME | QTY | PART NAME CODE | PART NAME | QTY |
|----------------|---|------|----------------|--|-----|
| 5401-20 | GUARD SUB-ASSY, HEAD SOUS-ENS. DE PROTECTEUR SCHUTZBLECH-TEILGRUPPE SUBCONJUNTO DE PROTECTOR | 1 | 5401-KM | WASHER, PLATE RODELLE UNTERLEGSCHIEBE ARANDELA | 1-2 |
| 5401-31 | MIRROR SUB-ASSY, BACK SOUS-ENS. DE RETROVISEUR SPIEGEL-TEILGRUPPE SUBCONJUNTO DEL RETROVISOR | 2 | 5401-QP | SCREW VIS SCHRAUBE TORNILLO | 1 |
| 5401-32 | BRACKET SUB-ASSY, BACK MIRROR SOUS-ENS. DE SUPPORT TRAGER-TEILGRUPPE SUBCONJUNTO DE LA SOPORTE | 2 | 5401-RB | HOLDER ASSY, PENCIL ENS. DE SUPPORT DUSENSTOCCR, VOLLST. CONJUNTO DE PORTABOQUILLAS | 1 |
| 5401-BE | BOLT BOULON SCHRAUBE PERNO | 9-17 | | | |
| 5401-CG | WASHER, SPRING RODELLE UNTERLEGSCHIEBE ARANDELA | 2 | | | |
| 5401-CR | NUT ECROU MUTTER TUERCA | 1 | | | |
| 5401-DV | SCREW VIS SCHRAUBE TORNILLO | 2 | | | |
| 5401-FM | SCREW VIS SCHRAUBE TORNILLO | 2 | | | |
| 5401-FO | NUT ECROU MUTTER TUERCA | 1-2 | | | |
| 5401-KA | WASHER RODELLE UNTERLEGSCHIEBE ARANDELA | 1 | | | |

CLICK HERE TO **DOWNLOAD** THE COMPLETE MANUAL

- Thank you very much for reading the preview of the manual.
- You can download the complete manual from: www.heydownloads.com by clicking the link below



- Please note: If there is no response to CLICKING the link, please download this PDF first and then click on it.

CLICK HERE TO **DOWNLOAD** THE COMPLETE MANUAL

| 5611 | | LAMP LAMPE | | LAMPE LAMPARA | |
|---------------------------|---|-----------------------|---------------------------|--------------------------|------------|
| PART NAME CODE | PART NAME | QTY | PART NAME CODE | PART NAME | QTY |
| 5611-AL | SCREW ----- VIS SCHRAUBE TORNILLO | 5 | | | |
| 5611-AM | SCREW ----- VIS SCHRAUBE TORNILLO | 2 | | | |
| 5611-BH | PLUG, HOLE ----- BOUCHON STOPFEN TAPON | 1 | | | |
| 5611-TW | LAMP, STROBE ----- LAMPE LAMPEN LAMPARA | 1 | | | |
| 5611-TY | RING, O ----- ANNEAU RING ANILLO | 1 | | | |

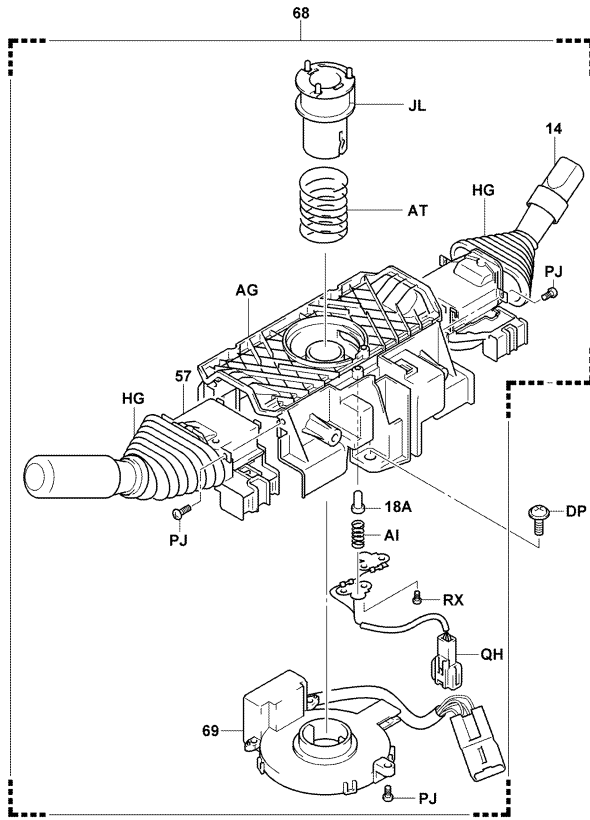
| 5611 | | LAMP LAMPE | | LAMPE LAMPARA | |
|---------------------------|------------------|-----------------------|---------------------------|--------------------------|------------|
| PART NAME CODE | PART NAME | QTY | PART NAME CODE | PART NAME | QTY |
| | | | | | |

5702

METER & SWITCH
INDICATEUR & COMMUTEUR

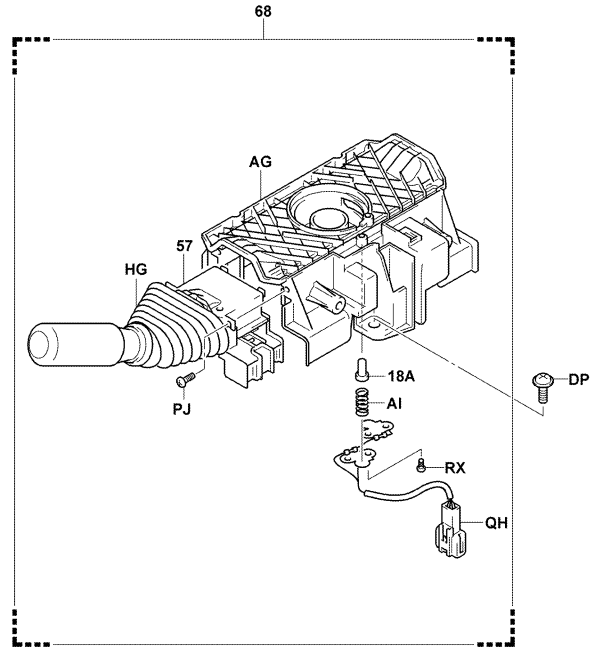
INSTRUMENTE & SCHALTER
MEDIDOR E INTERRUPTOR

(SYNCHRONIZED..RR COMBI. LIGHT, FR COMBI. LIGHT)



5702-182C

5702-182C



5702-242B

5702-242B

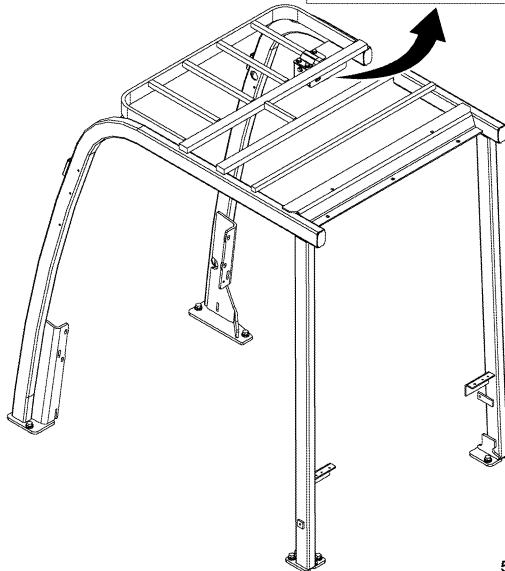
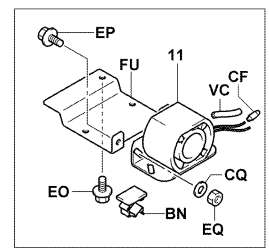
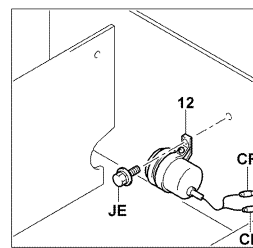
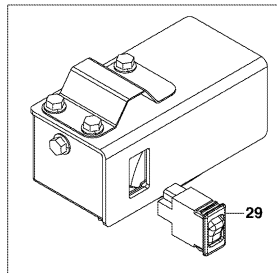
5702

METER & SWITCH
INDICATEUR & COMMUTEUR

INSTRUMENTE & SCHALTER
MEDIDOR E INTERRUPTOR

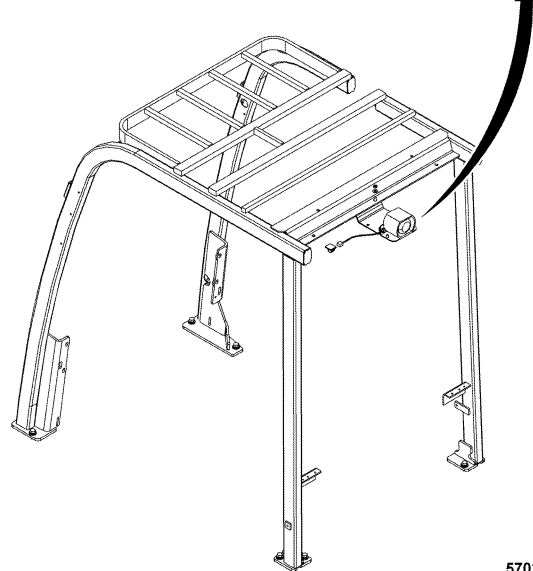
(ROOM LAMP)

(SMART ALARM)



5702-185

5702-185_



5702-186B

5702-186B

| 6101 | | MAST MAT | | MAST MASTIL | |
|-------------------|---|-------------|-------------------|--|-----|
| PART NAME CODE | PART NAME | QTY | PART NAME CODE | PART NAME | QTY |
| 6101-20 | MAST SUB-ASSY, OUTER SOUS-ENS. DE ENS.DE MAT MAST-TEILGRUPPE SUBCONJUNTO DEL MASTIL | 1 | 6101-41 | ROLLER, LIFT (FOR INNER MAST) GALET ROLLE RODILLO | 2 |
| 6101-20B | BUSHING, MAST SUPPORT BAGUE BUCHSE BUJE | 2 | 6101-41A | SHIM, LIFT ROLLER (FOR INNER MAST) CALE AUSGLEICHSCHIEBE CALCE | 99 |
| 6101-21 | MAST SUB-ASSY, INNER SOUS-ENS. DE ENS.DE MAT MAST-TEILGRUPPE SUBCONJUNTO DEL MASTIL | 1 | 6101-42 | ROLLER, LIFT (FOR MIDDLE MAST) GALET ROLLE RODILLO | 2-4 |
| 6101-22 | MAST SUB-ASSY, MIDDLE SOUS-ENS. DE ENS.DE MAT MAST-TEILGRUPPE SUBCONJUNTO DEL MASTIL | 1 | 6101-42A | SHIM, LIFT ROLLER (FOR MIDDLE MAST) CALE AUSGLEICHSCHIEBE CALCE | 99 |
| 6101-30 | STRIP SUB-ASSY, OUTER MAST SOUS-ENS. DE BANDE KLEMMENTRI GER-TEILGRUPPE SUBCONJUNTO DE FRANJA | 2 | 6101-43 | ROLLER, LIFT (FOR MIDDLE MAST) GALET ROLLE RODILLO | 2-4 |
| 6101-30A | SHIM, OUTER MAST STRIP CALE AUSGLEICHSCHIEBE CALCE | 99 | 6101-43A | SHIM, LIFT ROLLER (FOR MIDDLE MAST) CALE AUSGLEICHSCHIEBE CALCE | 99 |
| 6101-31 | STRIP SUB-ASSY, MIDDLE MAST SOUS-ENS. DE BANDE KLEMMENTRI GER-TEILGRUPPE SUBCONJUNTO DE FRANJA | 2-4 | 6101-53 | CUSHION, MAST, INNER MAST COUSSIN POLSTER ALMOHADILLA | 1 |
| 6101-31A | SHIM, MIDDLE MAST STRIP CALE AUSGLEICHSCHIEBE CALCE | 99 | 6101-AD | FITTING, GREASE RACCORD ANSCHLUSSTUCK ACOPLADOR | 2 |
| 6101-40 | ROLLER, LIFT (FOR OUTER MAST) GALET ROLLE RODILLO | 2 | 6101-AH | BOLT BOULON SCHRAUBE PERNO | 2 |
| 6101-40A | SHIM, LIFT ROLLER (FOR OUTER MAST) CALE AUSGLEICHSCHIEBE CALCE | 99 | 6101-AI | STOPPER BUTEE ANSCHLAG TOPE | 1 |

| 6101 | | MAST MAT | | MAST MASTIL | |
|-------------------|--|-------------|-------------------|---------------------------------------|-----|
| PART NAME CODE | PART NAME | QTY | PART NAME CODE | PART NAME | QTY |
| 6101-AJ | SHIM, STOPPER CALE AUSGLEICHSCHIEBE CALCE | 99 | 6101-ED | BOLT BOULON SCHRAUBE PERNO | 2 |
| 6101-AM | BOLT BOULON SCHRAUBE PERNO | 4 | 6101-HX | PLATE PLAQUE PLATTE PLACA | 1 |
| 6101-AO | BOLT BOULON SCHRAUBE PERNO | 2 | 6101-JB | COLLAR COLLIER BUCHSE COLLAR | 2 |
| 6101-AP | BOLT BOULON SCHRAUBE PERNO | 2 | 6101-LW | STOPPER BUTEE ANSCHLAG TOPE | 1 |
| 6101-BC | BUSHING BAGUE BUCHSE BUJE | 2 | | | |
| 6101-BH | CAP, MAST SUPPORT CAPUCHON KAPPE TAPA | 2 | | | |
| 6101-CK | BOLT BOULON SCHRAUBE PERNO | 2 | | | |
| 6101-CN | PLATE, STOPPER PLAQUE PLATTE PLACA | 1 | | | |
| 6101-DW | COVER, HOSE COUVERCLE DECKEL CUBIERTA | 1 | | | |
| 6101-EA | BOLT BOULON SCHRAUBE PERNO | 2 | | | |

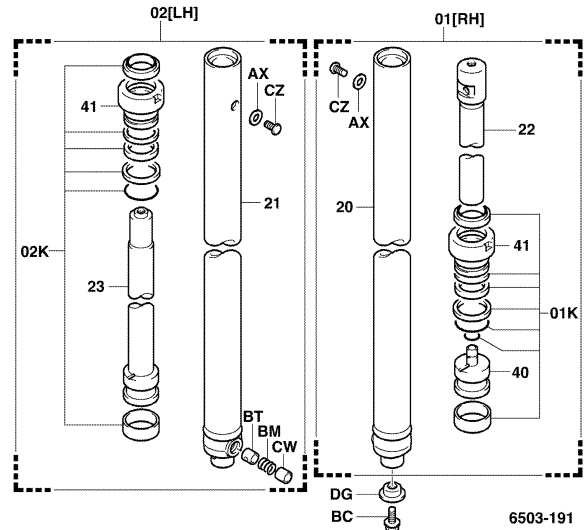
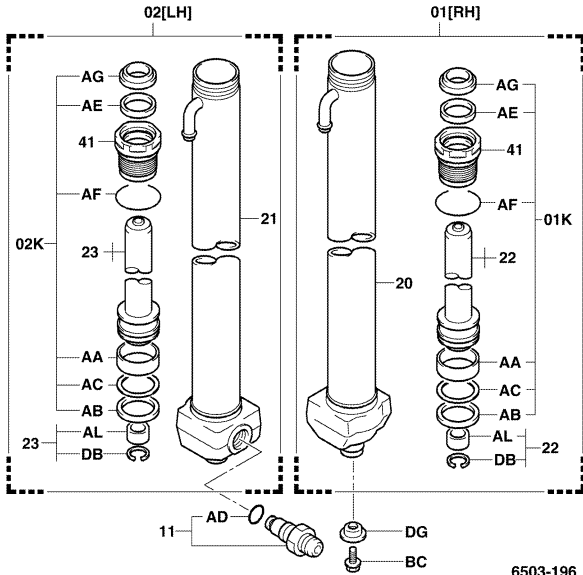
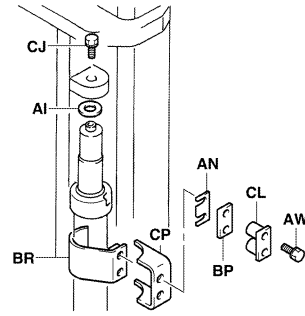
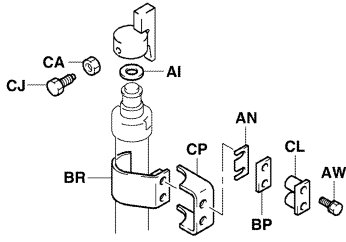
6503

REAR LIFT CYLINDER
CYLINDRE DE LEVEE ARRIERE

HINTERER HUBZYLINDER
CILINDRO DE ELEVACION TRASERO

FSV

FV



6503-196

6503-191

6503-196_

6503-191_

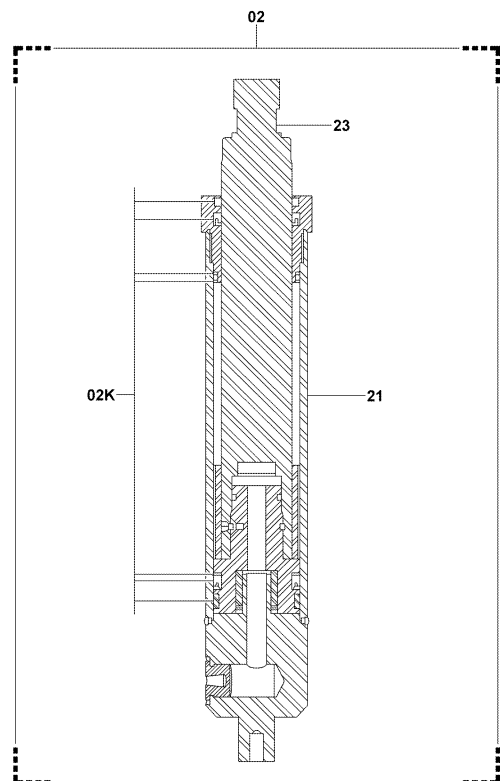
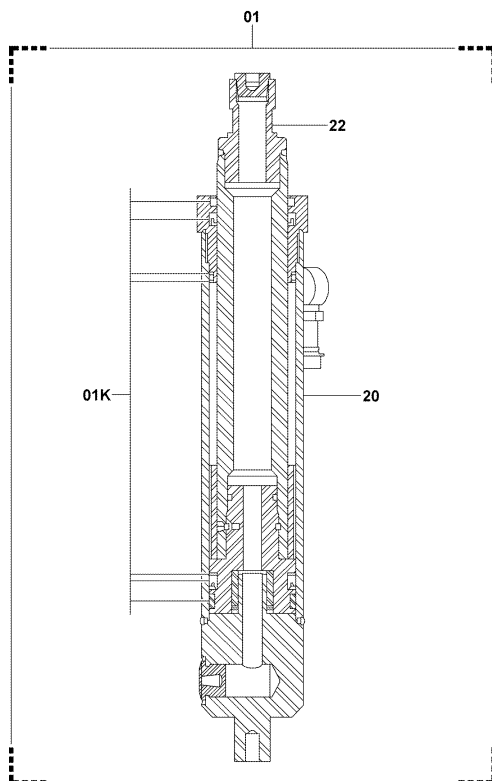
6503

REAR LIFT CYLINDER
CYLINDRE DE LEVEE ARRIERE

HINTERER HUBZYLINDER
CILINDRO DE ELEVACION TRASERO

QFV [2/3, RH]

QFV [3/3, LH]



6503-369

6503-370

6503-369_

6503-370_

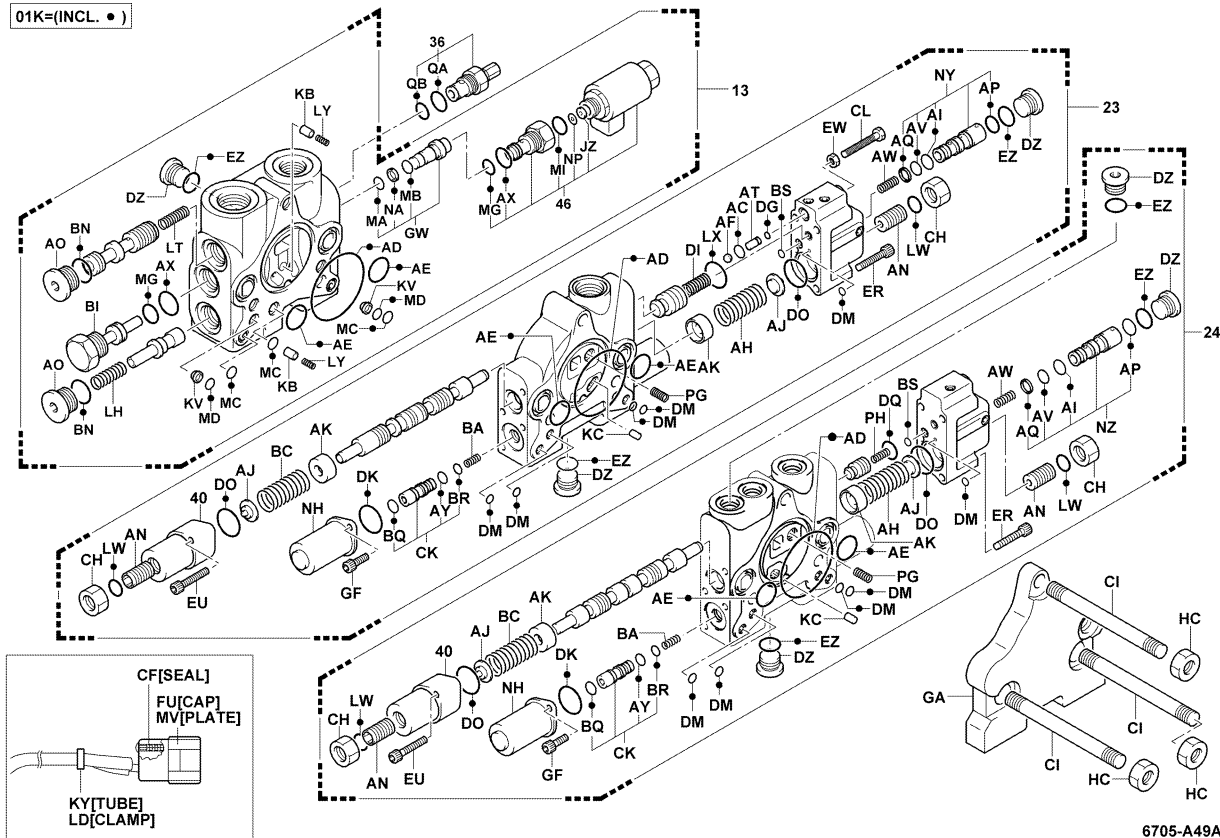
6705

OIL CONTROL VALVE
SOUPAPE DE COMMANDE D'HUILE

STEUERVENTIL
CALVULA DE CONTROL DE ACEITE

(MINI LEVER..2-WAY) [2/2]

01K=(INCL. ●)



6705-A49A

6705-A49A

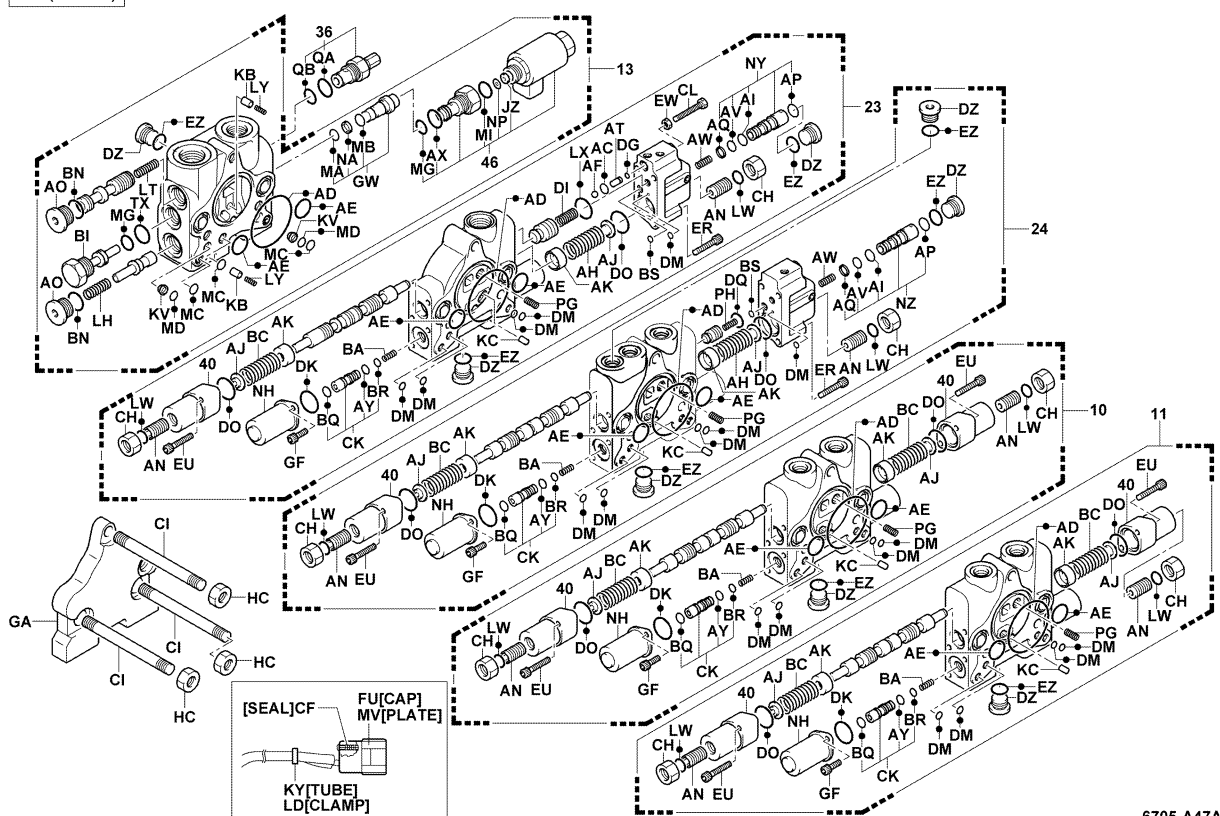
6705

OIL CONTROL VALVE
SOUPAPE DE COMMANDE D'HUILE

STEUERVENTIL
CALVULA DE CONTROL DE ACEITE

A405,A430,A450 (MINI LEVER) [2/2]

01K=(INCL. ●)



6705-A47A

6705-A47A

| 6712 | | MINI LEVER MINI-LEVIER | MINIHEBEL MINIPALANCA | | |
|-------------------|---|---------------------------|--------------------------|---|-----|
| PART NAME CODE | PART NAME | QTY | PART NAME CODE | PART NAME | QTY |
| 6712-10 | SENSOR ASSY, ROTARY POSITION ENS. DE DETECTEUR SENSOR, VOLLST. CONJUNTO DEL SENSOR | 2-4 | 6712-AE | BOLT BOULON SCHRAUBE PERNO | 8 |
| 6712-20 | PAD ASSY, ARM ENS. DE TAMPON KLOTZ, VOLLST. CONJUNTO DE LA ALMOHADILLA | 1 | 6712-AF | SCREW VIS SCHRAUBE TORNILLO | 4-8 |
| 6712-41 | LEVER LEVIER HEBEL PALANCA | 2-4 | 6712-AH | NUT ECROU MUTTER TUERCA | 2-4 |
| 6712-42 | BOOT, LEVER COFFRE MANSCHETTE FORRO | 2-4 | 6712-AI | SCREW VIS SCHRAUBE TORNILLO | 2-4 |
| 6712-43 | LEVER, ROTARY POSITION SENSOR LEVIER HEBEL PALANCA | 2-4 | 6712-AJ | KNOB BOULE KNOPF MANDO | 1 |
| 6712-44 | SWITCH ASSY ENS. DE INTERRUPTEUR SCHALTER, VOLLST. CONJUNTO DEL INTERRUPUTOR | 1 | 6712-AL | BOX, UPPER BOITIER KASTEN CAJA | 1 |
| 6712-AA | BRACKET, LEVER SUPPORT TRAGER SOPORTE | 2-4 | 6712-AM | BOX, LOWER BOITIER KASTEN CAJA | 1 |
| 6712-AB | SPRING RESSORT FEDER RESORTE | 2-4 | 6712-AN | BOLT BOULON SCHRAUBE PERNO | 1 |
| 6712-AC | PLATE, WASHER PLAQUE PLATTE PLACA | 2-4 | 6712-AP | SCREW VIS SCHRAUBE TORNILLO | 6 |
| 6712-AD | PLUG BOUCHON STOPFEN TAPON | 1-2 | 6712-AQ | NUT ECROU MUTTER TUERCA | 3 |

| 6712 | | MINI LEVER MINI-LEVIER | MINIHEBEL MINIPALANCA | | |
|-------------------|---|---------------------------|--------------------------|---------------------------------------|-----|
| PART NAME CODE | PART NAME | QTY | PART NAME CODE | PART NAME | QTY |
| 6712-AR | NUT ECROU MUTTER TUERCA | 1 | 6712-BM | BOLT BOULON SCHRAUBE PERNO | 1 |
| 6712-AS | SPACER ENTRETOISE DISTANZSTUCK SEPARADOR | 1 | 6712-BN | SHEET TOLE VENTILSITZ LAMINA | 2 |
| 6712-AT | BRACKET SUPPORT TRAGER SOPORTE | 1 | 6712-BP | BOLT BOULON SCHRAUBE PERNO | 3 |
| 6712-AU | BRACKET SUPPORT TRAGER SOPORTE | 1 | | | |
| 6712-AW | BOLT BOULON SCHRAUBE PERNO | 4 | | | |
| 6712-BH | PIN, SPRING GOUVILLE STIFT PASADOR | 2-4 | | | |
| 6712-BI | GUARD SUB-ASSY SOUS-ENS. DE PROTECTEUR SCHUTZBLECH-TEILGRUPPE SUBCONJUNTO DE PROTECTOR | 1 | | | |
| 6712-BJ | WASHER RODELLE UNTERLEGSCHIEBE ARANDELA | 1 | | | |
| 6712-BK | COVER COUVERCLE DECKEL CUBIERTA | 1 | | | |
| 6712-BL | KNOB BOULE KNOPF MANDO | 1 | | | |

| 6802 | | MAST PIPING TUYAUTERIE DE MAT | | MASTLEITUNGEN TUBOS DEL MASTIL | |
|-------------------|--|----------------------------------|-------------------|---|-----|
| PART NAME CODE | PART NAME | QTY | PART NAME CODE | PART NAME | QTY |
| 6802-10 | PULLEY ASSY ENS. DE POULIE RIEMENSCHIEBEN, VOLLST. CONJUNTO DE LA POLEA | 1 | 6802-41 | HOSE, HIGH PRESSURE, NO.1 (FRONT LIFT) FLEXIBLE SCHLAUCH MANGUERA | 1 |
| 6802-17 | REGULATOR ASSY, FLOW ENS. DE REGULATEUR REGLER, VOLLST. CONJUNTO DEL REGULADOR | 1 | 6802-42 | HOSE, HIGH PRESSURE, NO.2 (FRONT LIFT) FLEXIBLE SCHLAUCH MANGUERA | 1 |
| 6802-20 | PULLEY SUB-ASSY, HOSE GUIDE, NO.1 SOUS-ENS. DE POULIE RIEMENSCHIEBEN-TEILGRUPPE SUBCONJUNTO DE LA POLEA | 1 | 6802-43 | PIPE SUB-ASSY SOUS-ENS. DE TUYAU ROHR-TEILGRUPPE SUBCONJUNTO DE TUBO | 1 |
| 6802-21 | PULLEY SUB-ASSY, HOSE GUIDE, NO.2 SOUS-ENS. DE POULIE RIEMENSCHIEBEN-TEILGRUPPE SUBCONJUNTO DE LA POLEA | 2-4 | 6802-47 | HOSE, HIGH PRESSURE (FOR ATTACHMENT PULLEY) FLEXIBLE SCHLAUCH MANGUERA | 2 |
| 6802-25 | BRACKET SUB-ASSY, GUIDE PULLEY SOUS-ENS. DE SUPPORT TRAGER-TEILGRUPPE SUBCONJUNTO DE LA SOPORTE | 1 | 6802-48 | FITTING, FRONT LIFT CYLINDER RACCORD ANSCHLUSSTUCK ACOPADOR | 1 |
| 6802-30 | PIPE SUB-ASSY, NO.1 (FRONT LIFT) SOUS-ENS. DE TUYAU ROHR-TEILGRUPPE SUBCONJUNTO DE TUBO | 1 | 6802-49 | HOSE, HIGH PRESSURE FLEXIBLE SCHLAUCH MANGUERA | 2 |
| 6802-31 | PIPE SUB-ASSY, NO.2 (FRONT LIFT) SOUS-ENS. DE TUYAU ROHR-TEILGRUPPE SUBCONJUNTO DE TUBO | 1 | 6802-68 | HOSE, LOW PRESSURE FLEXIBLE SCHLAUCH MANGUERA | 1 |
| 6802-35 | PIPE SUB-ASSY, NO.1 (FOR ATTACHMENT) SOUS-ENS. DE TUYAU ROHR-TEILGRUPPE SUBCONJUNTO DE TUBO | 1 | 6802-68A | CLAMP, HOSE PINSE KLEMME ABRAZADERA | 4 |
| 6802-38 | PIPE SUB-ASSY SOUS-ENS. DE TUYAU ROHR-TEILGRUPPE SUBCONJUNTO DE TUBO | 1 | 6802-AA | PIN, HOSE GUIDE PULLEY GOUILLE STIFT PASADOR | 1 |
| 6802-39 | PIPE SUB-ASSY SOUS-ENS. DE TUYAU ROHR-TEILGRUPPE SUBCONJUNTO DE TUBO | 1 | 6802-AB | FITTING RACCORD ANSCHLUSSTUCK ACOPADOR | 1-4 |

| 6802 | | MAST PIPING TUYAUTERIE DE MAT | | MASTLEITUNGEN TUBOS DEL MASTIL | |
|-------------------|--|----------------------------------|-------------------|---|-----|
| PART NAME CODE | PART NAME | QTY | PART NAME CODE | PART NAME | QTY |
| 6802-AC | RING, O ANNEAU RING ANILLO | 1 | 6802-AZ | BOLT BOULON SCHRAUBE PERNO | 2-4 |
| 6802-AD | COLLAR COLLIER BUCHSE COLLAR | 1 | 6802-BA | BOLT BOULON SCHRAUBE PERNO | 2-4 |
| 6802-AG | RING, SHAFT SNAP ANNEAU RING ANILLO | 1-2 | 6802-BB | HOSE, HIGH PRESSURE FLEXIBLE SCHLAUCH MANGUERA | 1 |
| 6802-AH | CLAMP PINSE KLEMME ABRAZADERA | 2-4 | 6802-BE | BRACKET, HOSE CLAMP SUPPORT TRAGER SOPORTE | 1 |
| 6802-AJ | CLAMP PINSE KLEMME ABRAZADERA | 2 | 6802-BH | PLATE PLAQUE PLATTE PLACA | 1 |
| 6802-AK | GUIDE SUB-ASSY, HOSE SOUS-ENS. DE GUIDE FUHRUNGS-TEILGRUPPE SUBCONJUNTO DE GUIA | 1 | 6802-BL | WASHER, PLATE RODELLE UNTERLEGSCHIEBE ARANDELA | 1-2 |
| 6802-AN | CLAMP, HOSE PINSE KLEMME ABRAZADERA | 1-2 | 6802-BP | WASHER, PLATE RODELLE UNTERLEGSCHIEBE ARANDELA | 1 |
| 6802-AR | RING, O ANNEAU RING ANILLO | 1 | 6802-BX | NUT ECROU MUTTER TUERCA | 1-4 |
| 6802-AS | BRACKET, PIPE SUPPORT TRAGER SOPORTE | 1-2 | 6802-CD | CAP CAPUCHON KAPPE TAPA | 2 |
| 6802-AW | CLAMP PINSE KLEMME ABRAZADERA | 1-2 | 6802-CF | FITTING RACCORD ANSCHLUSSTUCK ACOPADOR | 1-2 |

CLICK HERE TO **DOWNLOAD** THE COMPLETE MANUAL

- Thank you very much for reading the preview of the manual.
- You can download the complete manual from: www.heydownloads.com by clicking the link below



- Please note: If there is no response to CLICKING the link, please download this PDF first and then click on it.

CLICK HERE TO **DOWNLOAD** THE COMPLETE MANUAL