



TADANO

HYDRAULIC CRANE PARTS CATALOG

MODEL TL-250M-4

**INFORMATION No. TL-250M-4/P-02
SERIAL No. 340493**

**Used Crane Specialist
Sales, Service & Parts
Manufacture Support**

CLICK HERE TO **DOWNLOAD** THE COMPLETE MANUAL

- Thank you very much for reading the preview of the manual.
- You can download the complete manual from: www.heydownloads.com by clicking the link below

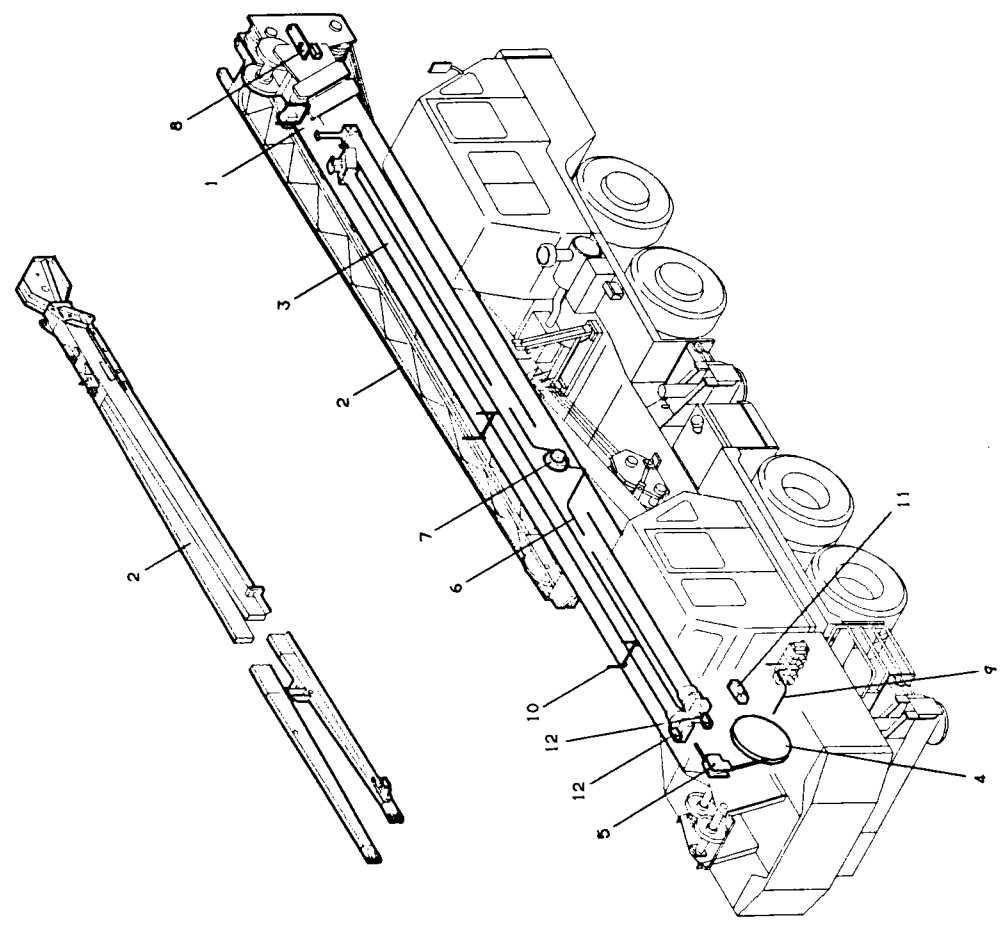


- Please note: If there is no response to CLICKING the link, please download this PDF first and then click on it.

CLICK HERE TO **DOWNLOAD** THE COMPLETE MANUAL

システム
SYSTEM

システム名 名称 シンテック システム
System Name TELESCOPING SYSTEM PG100-0212-00



システム名 名称 シンテック システム
System Name TELESCOPING SYSTEM FIG. PG100-0212-00
スベック番号 号 A < TL-250H-4-10101 > B < TL-250H-4-10102 > C < TL-250H-4-20101 >
Specification No. D < TL-250H-4-20102 >

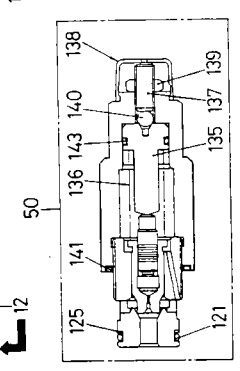
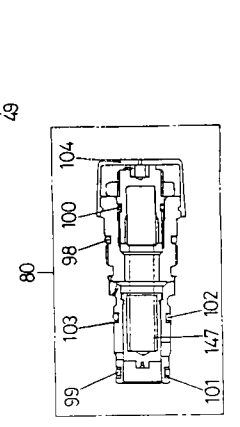
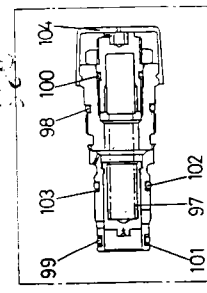
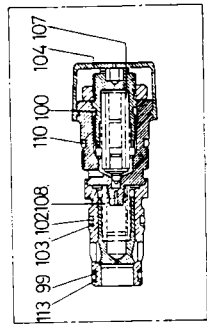
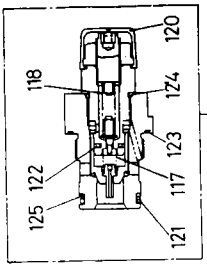
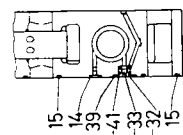
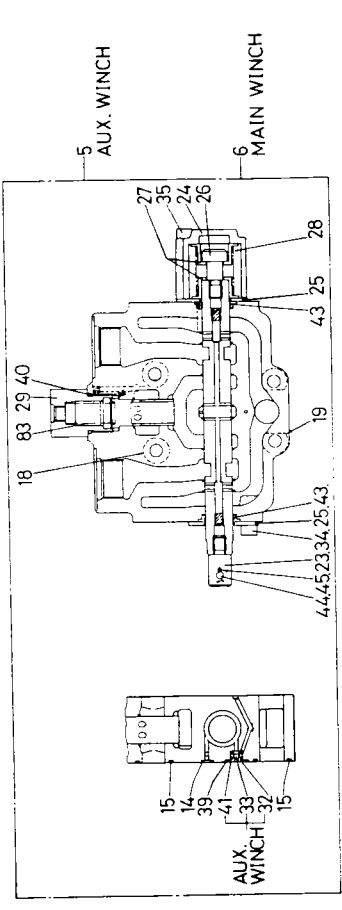
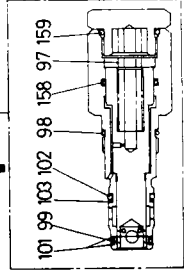
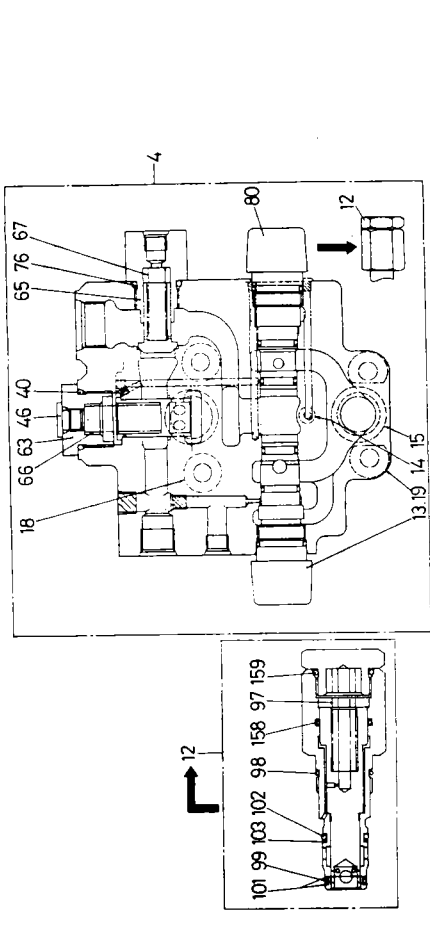
指示番号 Key No.	組立名称 Assembly Name	Qty Per Section													実装号 Serial No. (変更番号 Modifi. No.)	ページ Page		
		A	B	C	D	E	F	G	H	I	J	K	L	M			N	O
1	ブーム	-	1	-	-	-	-	-	-	-	-	-	-	-	-	-	-	292
1	ブーム	-	1	-	-	-	-	-	-	-	-	-	-	-	-	-	-	295
1	BOOM	-	1	-	-	-	-	-	-	-	-	-	-	-	-	-	-	300
2	ジョブ	-	1	-	-	-	-	-	-	-	-	-	-	-	-	-	-	303
2	JIB	-	1	-	-	-	-	-	-	-	-	-	-	-	-	-	-	308
2	ジョブ	-	1	-	-	-	-	-	-	-	-	-	-	-	-	-	-	311
2	JIB	-	1	-	-	-	-	-	-	-	-	-	-	-	-	-	-	316
2	ジョブ	-	1	-	-	-	-	-	-	-	-	-	-	-	-	-	-	319
2	JIB	-	1	-	-	-	-	-	-	-	-	-	-	-	-	-	-	324
2	ジョブ	-	1	-	-	-	-	-	-	-	-	-	-	-	-	-	-	327
2	JIB	-	1	-	-	-	-	-	-	-	-	-	-	-	-	-	-	332
3	シリンダ、テレスコピング	-	1	1	1	-	-	-	-	-	-	-	-	-	-	-	-	334
3	CYLINDER, TELESCOPING	-	1	1	1	-	-	-	-	-	-	-	-	-	-	-	-	338
4	リールホース	-	1	1	1	-	-	-	-	-	-	-	-	-	-	-	-	339
4	REEL, HOSE	-	1	1	1	-	-	-	-	-	-	-	-	-	-	-	-	340
5	リールホース	-	1	1	1	-	-	-	-	-	-	-	-	-	-	-	-	341
5	REEL, HOSE	-	1	1	1	-	-	-	-	-	-	-	-	-	-	-	-	342
6	ジョブ、シリンダ、ブーム長さ	-	1	1	1	-	-	-	-	-	-	-	-	-	-	-	-	343
6	DETECTOR SYSTEM, BOOM LENGTH	-	1	1	1	-	-	-	-	-	-	-	-	-	-	-	-	344
6	ジョブ、シリンダ、ブーム長さ	-	1	1	1	-	-	-	-	-	-	-	-	-	-	-	-	345
6	DETECTOR SYSTEM, BOOM LENGTH	-	1	1	1	-	-	-	-	-	-	-	-	-	-	-	-	348
7	ジョブ、シリンダ、ブーム長さ	-	1	1	1	-	-	-	-	-	-	-	-	-	-	-	-	349
7	DETECTOR, BOOM LENGTH	-	1	1	1	-	-	-	-	-	-	-	-	-	-	-	-	346
7	ジョブ、シリンダ、ブーム長さ (角パイプ)	-	1	1	1	-	-	-	-	-	-	-	-	-	-	-	-	347
7	DETECTOR, BOOM LENGTH (WITH ANGLE DETECTOR)	-	1	1	1	-	-	-	-	-	-	-	-	-	-	-	-	350
8	ジョブ、シリンダ、ブーム長さ	-	1	1	1	-	-	-	-	-	-	-	-	-	-	-	-	351
8	DETECTOR, BOOM RETRACTION	-	1	1	1	-	-	-	-	-	-	-	-	-	-	-	-	352
9	パイピング、テレスコピング	-	1	1	1	-	-	-	-	-	-	-	-	-	-	-	-	353
9	パイピング、テレスコピング	-	1	1	1	-	-	-	-	-	-	-	-	-	-	-	-	356
10	ワイヤガイド	-	1	1	1	-	-	-	-	-	-	-	-	-	-	-	-	357
10	ワイヤガイド	-	1	1	1	-	-	-	-	-	-	-	-	-	-	-	-	360
10	ワイヤガイド	-	1	1	1	-	-	-	-	-	-	-	-	-	-	-	-	361

ページ 上段はイラストページ、下段はリストページを示す。
In the "page" column, the upper numbers denote illustration pages, and the lower list pages.

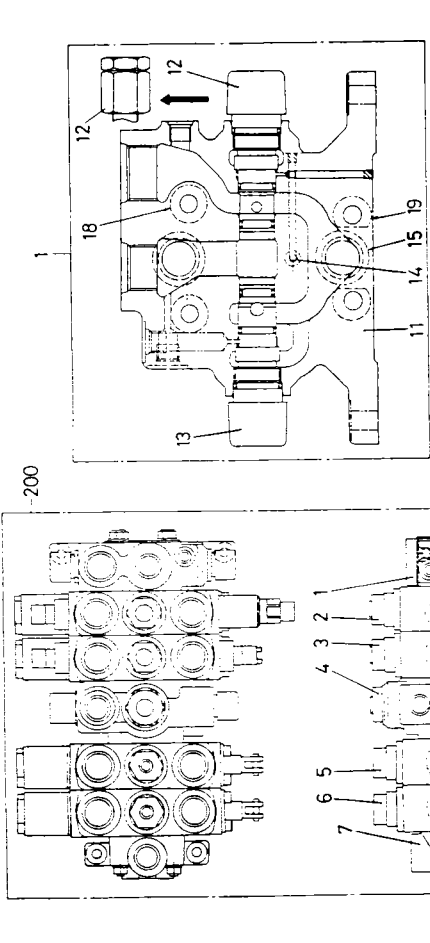
MEMO

組立名称 Assembly Name		07415729*P2A* W2-W PIPING, UPPER RETURN		FIG. PBI26-0037-01															
仕様番号 Specification		A < TL-250M-4-10101 D < TL-250M-4-20102		> B < TL-250M-4-10102 > C < TL-250M-4-20101 >															
指示番号 Key No.	部品番号 Part No.	部品名称 Part Name	Qty Per Section										家機号 (原番号)	Serial No. (变更号)	ページ Page				
			A	B	C	D	E	F	G	H	I	J				K	L	M	N
36	804-001-60133	JOINT 90606	3	3	3														
37	910-028-02400	O-RING 1B P24	5	5	5	5													
38	370-024-21030	HOSE	1	1	1	1													
39	370-024-21040	HOSE	1	1	1	1													
40	901-315-10030	BOLT, HEXAGON SOCKET M10X30	8	8	8	8													
41	370-009-02920	JOINT	2	2	2	2													
42	370-025-04550	HOSE	1	1	1	1													
43	333-404-41100	JOINT	1	1	1	1													
44	901-012-10040	BOLT M10X40	4	4	4	4													
45	366-324-60000	VALVE, MANUAL CONTROL	1	1	1	1													98
46	333-430-55700	SUPPORT	1	1	1	1													
47	370-007-00890	CLAMP ASSY	2	2	2	2													
48	903-030-71001	WASHER, PLAIN 10	2	2	2	2													
49	366-420-10000	VALVE, SOLINOID	1	1	1	1													414
50	804-001-60132	JOINT 90406	2	2	2	2													
51	804-306-20800	JOINT 3062-08	1	1	1	1													
52	370-024-07560	HOSE	1	1	1	1													
53	370-024-25650	HOSE	1	1	1	1													
54	370-007-05990	CLAMP ASSY	1	1	1	1													
71	910-013-01900	O-RING WP19	2	2	2	2													
81	910-028-01800	O-RING 1in P18	1	1	1	1													

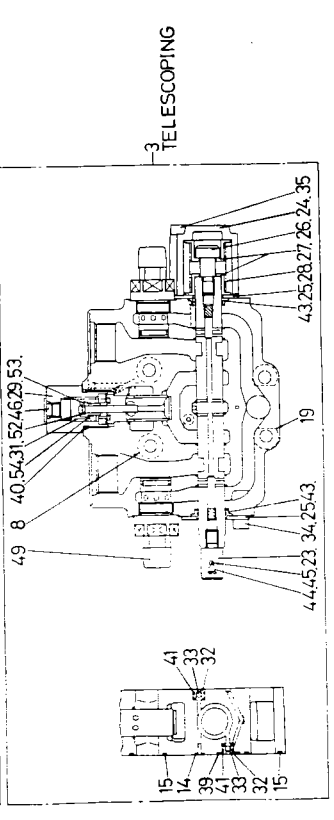
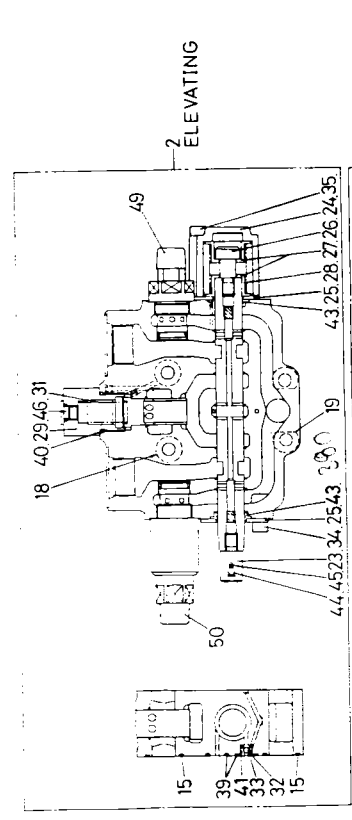
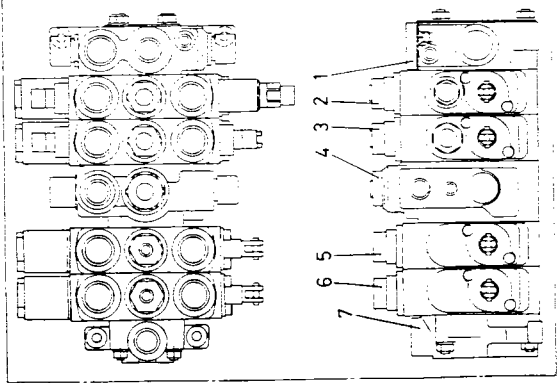
組立名称 ハブ7 マニュアルコントロール VALVE, MANUAL CONTROL PB132-0103-01



組立名称 ハブ7 マニュアルコントロール VALVE, MANUAL CONTROL PB132-0103-01



-200



MEMO

組立名 Assembly Name	部品番号 Part No.	部品名 Part Name	Qty Per Section 個数													実装号 Serial No. (変更番号)	ページ Page		
			A	B	C	D	E	F	G	H	I	J	K	L	M			N	O
1	360-313-70101	CYLINDER	1	1	1														
2	807-201-05025	PIN,SPRING SX25	1	1	1														
3	360-301-00201	PISTON	1	1	1														
4	916-841-12000	PACKING	2	2	2														
5	914-312-10501	RING,BACKUP	1	1	1														
6	910-028-07000	O-RING 10 P70	1	1	1														
7	914-110-07000	RING,BACKUP P70	1	1	1														
8	913-012-12000	BEARING,PLAIN	2	2	2														
9	360-313-70200	ROD	1	1	1														
10	360-301-00401	COVER ASSY,ROD	1	1	1														
11	910-029-11500	O-RING 10 G115	1	1	1														
12	912-511-01000	RING,DAMPER	1	1	1														
13	916-940-10000	PACKING	1	1	1														
14	914-102-10000	RING,BACKUP	1	1	1														
15	916-600-10000	SEAL,DUST	1	1	1														
16	360-307-75000	STOPPER	1	1	1														
17	901-015-10040	BOLT M10X40	2	2	2														
18	903-020-41001	WASHER,SPRING 10	6	6	6														
19	901-012-10022	BOLT M10X22	4	4	4														
20	914-112-10501	RING,BACKUP	1	1	1														
31	806-121-11080	RING,RETAINING AR108	1	1	1														
40	360-313-70001	CYLINDER,JACK(REAR)	1	1	1														

組立名称 4110-330 3476,777,778,779,780,781,782,783,784,785,786,787,788,789,790,791,792,793,794,795,796,797,798,799,800,801,802,803,804,805,806,807,808,809,810,811,812,813,814,815,816,817,818,819,820,821,822,823,824,825,826,827,828,829,830,831,832,833,834,835,836,837,838,839,840,841,842,843,844,845,846,847,848,849,850,851,852,853,854,855,856,857,858,859,860,861,862,863,864,865,866,867,868,869,870,871,872,873,874,875,876,877,878,879,880,881,882,883,884,885,886,887,888,889,890,891,892,893,894,895,896,897,898,899,900,901,902,903,904,905,906,907,908,909,910,911,912,913,914,915,916,917,918,919,920,921,922,923,924,925,926,927,928,929,930,931,932,933,934,935,936,937,938,939,940,941,942,943,944,945,946,947,948,949,950,951,952,953,954,955,956,957,958,959,960,961,962,963,964,965,966,967,968,969,970,971,972,973,974,975,976,977,978,979,980,981,982,983,984,985,986,987,988,989,990,991,992,993,994,995,996,997,998,999,1000

OPERATION SYSTEM, OUTRIGGER ACCELERATOR

FIG. PC112-0103-01

Assembly Name
 仕様書 No. A < TL-250M-4-10101 > B < TL-250M-4-10102 > C < TL-250M-4-20101 > D < TL-250M-4-20102 >

指示番号 Key No.	部品番号 Part No.	部品名称 Part Name	Qty Per Section													実装番号 (変更番号) Serial No. Modifi. No.	ページ Page	
			A	B	C	D	E	F	G	H	I	J	K	L	M			N
28	337-000-10070	LLVER	1	1													340665 (2082297)	
29	370-013-00020	SPRING	1	1													340664 (2082297)	
29	370-013-00020	SPRING	1	1													340665 (2082297)	
30	370-001-01480	PIN	1	1													340664 (2082297)	
30	370-001-01480	PIN	1	1													340665 (2082297)	
31	901-012-08014	BOLT M8X14	1	1													340664 (2082297)	
31	901-012-08014	BOLT M8X14	1	1													340665 (2082297)	
32	903-020-40801	WASHER,SPRING 8	1	1													340664 (2082297)	
32	903-020-40801	WASHER,SPRING 8	1	1													340665 (2082297)	
33	337-000-10080	END	1	1													340664 (2082297)	
33	337-000-10080	END	1	1													340665 (2082297)	
34	194-140-33000	SPRING	1	1													340664 (2082297)	
34	194-140-33000	SPRING	1	1													340665 (2082297)	
35	360-613-90000	CYLINDER,MASTER	1	1													340664 (2082297)	
36	901-012-10035	BOLT M10X35	2	2													340664 (2082297)	
36	901-012-10035	BOLT M10X35	2	2													340665 (2082297)	
37	903-020-41001	WASHER,SPRING 10	2	2													340664 (2082297)	
37	903-020-41001	WASHER,SPRING 10	2	2													340665 (2082297)	
40	901-022-10060	BOLT M10X60	1	1													340664 (2082297)	
40	901-022-10060	BOLT M10X60	1	1													340665 (2082297)	
41	902-012-08000	NUT M8	2	2													340664 (2082297)	
41	902-012-08000	NUT M8	2	2													340665 (2082297)	
42	901-022-08030	BOLT M8X30	1	1													340664 (2082297)	
42	901-022-08030	BOLT M8X30	1	1													340665 (2082297)	
43	370-015-06920	BOLT	1	1													340664 (2082297)	
43	370-015-06920	BOLT	1	1													340665 (2082297)	
43	370-015-06920	BOLT	1	1													340571 (2072424)	
43	370-015-06920	BOLT	1	1													340571 (2072424)	
51	337-100-40210	ROD (LEFT HAND SCREW)	1	1													340664 (2082297)	
52	902-912-00600	NUT M6 (LEFT HAND SCREW)	1	1													340664 (2082297)	
53	561-400-22000	TURN BACKL	1	1													340665 (2082297)	
54	194-140-82000	ROD	1	1													340664 (2082297)	
55	902-012-00600	NUT M6	1	1													340665 (2082297)	
60	337-103-58020	LINK ASSY	1	1													340665 (2082297)	
60	337-103-58020	LINK ASSY	1	1													340665 (2082297)	

AD

組立名称 4110-330 3476,777,778,779,780,781,782,783,784,785,786,787,788,789,790,791,792,793,794,795,796,797,798,799,800,801,802,803,804,805,806,807,808,809,810,811,812,813,814,815,816,817,818,819,820,821,822,823,824,825,826,827,828,829,830,831,832,833,834,835,836,837,838,839,840,841,842,843,844,845,846,847,848,849,850,851,852,853,854,855,856,857,858,859,860,861,862,863,864,865,866,867,868,869,870,871,872,873,874,875,876,877,878,879,880,881,882,883,884,885,886,887,888,889,890,891,892,893,894,895,896,897,898,899,900,901,902,903,904,905,906,907,908,909,910,911,912,913,914,915,916,917,918,919,920,921,922,923,924,925,926,927,928,929,930,931,932,933,934,935,936,937,938,939,940,941,942,943,944,945,946,947,948,949,950,951,952,953,954,955,956,957,958,959,960,961,962,963,964,965,966,967,968,969,970,971,972,973,974,975,976,977,978,979,980,981,982,983,984,985,986,987,988,989,990,991,992,993,994,995,996,997,998,999,1000

OPERATION SYSTEM, OUTRIGGER ACCELERATOR

FIG. PC112-0103-01

Assembly Name
 仕様書 No. A < TL-250M-4-10101 > B < TL-250M-4-10102 > C < TL-250M-4-20101 > D < TL-250M-4-20102 >

指示番号 Key No.	部品番号 Part No.	部品名称 Part Name	Qty Per Section													実装番号 (変更番号) Serial No. Modifi. No.	ページ Page	
			A	B	C	D	E	F	G	H	I	J	K	L	M			N
70	808-040-12020	BEARING,PLAIN	1	1													340665 (2082297)	
70	808-040-12020	BEARING,PLAIN	1	1													340664 (2082297)	
80	808-040-12015	BEARING,PLAIN	2	2													340665 (2082297)	
80	808-040-12015	BEARING,PLAIN	2	2													340664 (2082297)	
105	360-613-90001	CYLINDER,MASTER	1	1													340665 (2082297)	
121	910-028-01100	O-RING ID P11	1	1													340664 (2082297)	

組立名称 Assembly Name		モウントウインチ (メイン トーション) MOUNT W/INCH (MAIN TOSHIBA)		FIG. PF140-0059-02		> B < TL-250H-4-10102 > C < TL-250H-4-20101 >													ページ Page
スベック番号 Specification No.		A < TL-250M-4-10101 > D < TL-250H-4-20102 >																	
指示番号 Key No.	部品番号 Part No.	部品名称 Part Name	QTY Per Section													実務番号 Serial No. (変更番号 Modifi. No.)	ページ Page		
			A	B	C	D	E	F	G	H	I	J	K	L	M	N	O		
30	901-012-10018	BOLT M10X18	3	3	3	3													
31	903-020-41001	WASHER-SPRING 10	3	3	3	3													
32	370-005-28080	PLATE	2	2	2	2													
33	370-005-28090	PLATE	2	2	2	2													
34	333-106-60100	SUPPORT	1	1	1	1													
35	370-001-26270	PIN	1	1	1	1													
36	161-130-09002	WEDGE	1	1	1	1													
37	370-001-28710	PIN	1	1	1	1													
38	901-015-14035	BOLT M14X35	1	1	1	1													
39	903-020-41401	WASHER-SPRING 14	1	1	1	1													
40	901-015-16045	BOLT M16X45	14	14	14	14													
41	901-325-10050	BOLT-HEXAGON SOCKET M10X50	1	1	1	1													
42	141-230-00400	BREATHER PT1/8	1	1	1	1												394	
44	366-606-60000	MOTOR-HYDRAULIC (TOSHIBA)	1	1	1	1												204	
48	360-708-40000	WINCH	1	1	1	1													
49	370-010-00310	SHEAVE ASSY	1	1	1	1													
52	343-105-80090	WIRE	1	1	1	1													
71	333-106-18020	ADJUSTER ASSY	2	2	2	2													
72	333-105-58050	SUPPORT ASSY	1	1	1	1													
81	343-100-00060	PLATE	2	2	2	2													
82	901-012-12020	BOLT M12X20	2	2	2	2													
83	903-020-41201	WASHER-SPRING 12	2	2	2	2													
84	333-103-10010	SUPPORT	2	2	2	2													
85	901-022-10035	BOLT M10X35	2	2	2	2													
86	902-032-01000	NUT M10	3	3	3	3													
91	901-015-08020	BOLT M8X20	4	4	4	4											(- 340527 - 2063068 - 340527 - 2063068 - 340527 - 2063068 - 340527 - 2063068 - 340527 - 2063068	
92	903-020-41001	WASHER-SPRING 10	4	4	4	4											(
93	903-030-70801	WASHER-PLAIN 8	4	4	4	4											(
94	333-106-60060	COVER	2	2	2	2											(
95	370-005-00060	PLATE	2	2	2	2											(
102	824-561-06000	NIPPLE-GREASE L/4-2BUNE	1	1	1	1											(
103	806-011-10750	RING-RETAINING S75	2	2	2	2											(
104	163-120-15002	BEARING-PLAIN	1	1	1	1											(
121	333-106-60200	SUPPORT	1	1	1	1											(- 340521 - 2065440	
121	333-106-60201	SUPPORT	1	1	1	1											(

組立名称 Assembly Name		モウントウインチ (メイン トーション) MOUNT W/INCH (MAIN TOSHIBA)		FIG. PF140-0059-02		> B < TL-250H-4-10102 > C < TL-250H-4-20101 >													ページ Page
スベック番号 Specification No.		A < TL-250M-4-10101 > D < TL-250H-4-20102 >																	
指示番号 Key No.	部品番号 Part No.	部品名称 Part Name	QTY Per Section													実務番号 Serial No. (変更番号 Modifi. No.)	ページ Page		
			A	B	C	D	E	F	G	H	I	J	K	L	M	N	O		
121	333-106-60201	SUPPORT	1	1	1	1												(340522 - (2065440 -
125	903-020-41601	WASHER-SPRING 16	6	6	6	6												(- 340521 - 2065440
125	903-020-41601	WASHER-SPRING 16	6	6	6	6												(340522 - (2065440 -
125	903-020-41601	WASHER-SPRING 16	6	6	6	6												(340522 - (2065440 -
127	370-001-30470	PIN	2	2	2	2													
127	370-001-30470	PIN	2	2	2	2													

MEMO

組立名称 Assembly Name		7*~4 000H		FIG. PG101-0145-02													
スベツク番号 Specification No.		A < TL-250H-4-10101 D < TL-250H-4-20102		> B < TL-250H-4-10102 > C < TL-250H-4-20101													
指示番号 Key No.	部品番号 Part No.	部品名称 Part Name	Qty	Per Section	個数	変更品番 Serial No. (変更番号 Modif. No.)	ページ Page										
			A	B	C	D	E	F	G	H	I	J	K	L	M	N	O
173	332-006-78210	RETAINER ASSY (RIGHT)	-	2	-	-	-	-	-	-	-	-	-	-	-	-	-
174	332-006-78220	RETAINER ASSY (LEFT)	-	2	-	-	-	-	-	-	-	-	-	-	-	-	-
182	805-150-06214	BEARING,BALL 6214Z	-	12	-	12	-	-	-	-	-	-	-	-	-	-	-
183	806-121-11250	RING,RETAINING AR125	-	6	-	6	-	-	-	-	-	-	-	-	-	-	-
191	805-200-45015	BEARING,ROLLER	-	2	-	2	-	-	-	-	-	-	-	-	-	-	-
201	902-034-01600	NUT M16	-	1	-	1	-	-	-	-	-	-	-	-	-	-	-
202	902-014-01600	NUT M16	-	1	-	1	-	-	-	-	-	-	-	-	-	-	-
203	332-000-00100	SUPPORT	-	1	-	1	-	-	-	-	-	-	-	-	-	-	-
204	370-010-02140	SHEAVE	-	1	-	1	-	-	-	-	-	-	-	-	-	-	-
205	370-001-00800	PIN	-	1	-	1	-	-	-	-	-	-	-	-	-	-	-
206	806-011-10250	RING,RETAINING S25	-	1	-	1	-	-	-	-	-	-	-	-	-	-	-
207	901-015-12018	BOLT M12X18	-	4	-	4	-	-	-	-	-	-	-	-	-	-	-
209	332-000-00110	SUPPORT	-	1	-	1	-	-	-	-	-	-	-	-	-	-	-
210	901-015-12020	BOLT M12X20	-	1	-	1	-	-	-	-	-	-	-	-	-	-	-
211	903-030-71201	WASHER,PLAIN 12	-	1	-	1	-	-	-	-	-	-	-	-	-	-	-
221	806-021-10720	RING,RETAINING R72	-	2	-	2	-	-	-	-	-	-	-	-	-	-	-
222	805-160-06506	BEARING,BALL 6506ZZ	-	2	-	2	-	-	-	-	-	-	-	-	-	-	-
231	334-800-41410	SUPPORT	-	2	-	2	-	-	-	-	-	-	-	-	-	-	-
232	334-800-41420	PLATE	-	2	-	2	-	-	-	-	-	-	-	-	-	-	-
234	334-800-41480	PLATE	-	2	-	2	-	-	-	-	-	-	-	-	-	-	-
235	334-800-41490	SUPPORT	-	2	-	2	-	-	-	-	-	-	-	-	-	-	-
236	801-723-04014	SCREW,MACHINE M4X14	-	16	-	16	-	-	-	-	-	-	-	-	-	-	-
237	903-020-40401	WASHER,SPRING 4	-	0	-	0	-	-	-	-	-	-	-	-	-	-	-
241	801-723-04012	SCREW,MACHINE M4X12	-	84	-	84	-	-	-	-	-	-	-	-	-	-	-
243	344-800-02110	SUPPORT	-	12	-	12	-	-	-	-	-	-	-	-	-	-	-
244	344-800-02120	SUPPORT	-	12	-	12	-	-	-	-	-	-	-	-	-	-	-
245	824-561-06000	NIPPLE,GREASE 1/4-28UNF	-	12	-	12	-	-	-	-	-	-	-	-	-	-	-
247	370-005-22720	PLATE	-	12	-	12	-	-	-	-	-	-	-	-	-	-	-
248	370-005-22680	PLATE	-	12	-	12	-	-	-	-	-	-	-	-	-	-	-

CLICK HERE TO **DOWNLOAD** THE COMPLETE MANUAL

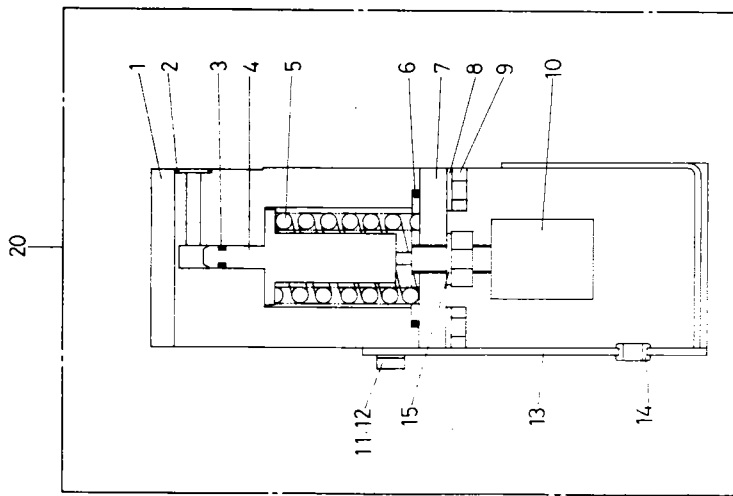
- Thank you very much for reading the preview of the manual.
- You can download the complete manual from: www.heydownloads.com by clicking the link below



- Please note: If there is no response to CLICKING the link, please download this PDF first and then click on it.

CLICK HERE TO **DOWNLOAD** THE COMPLETE MANUAL

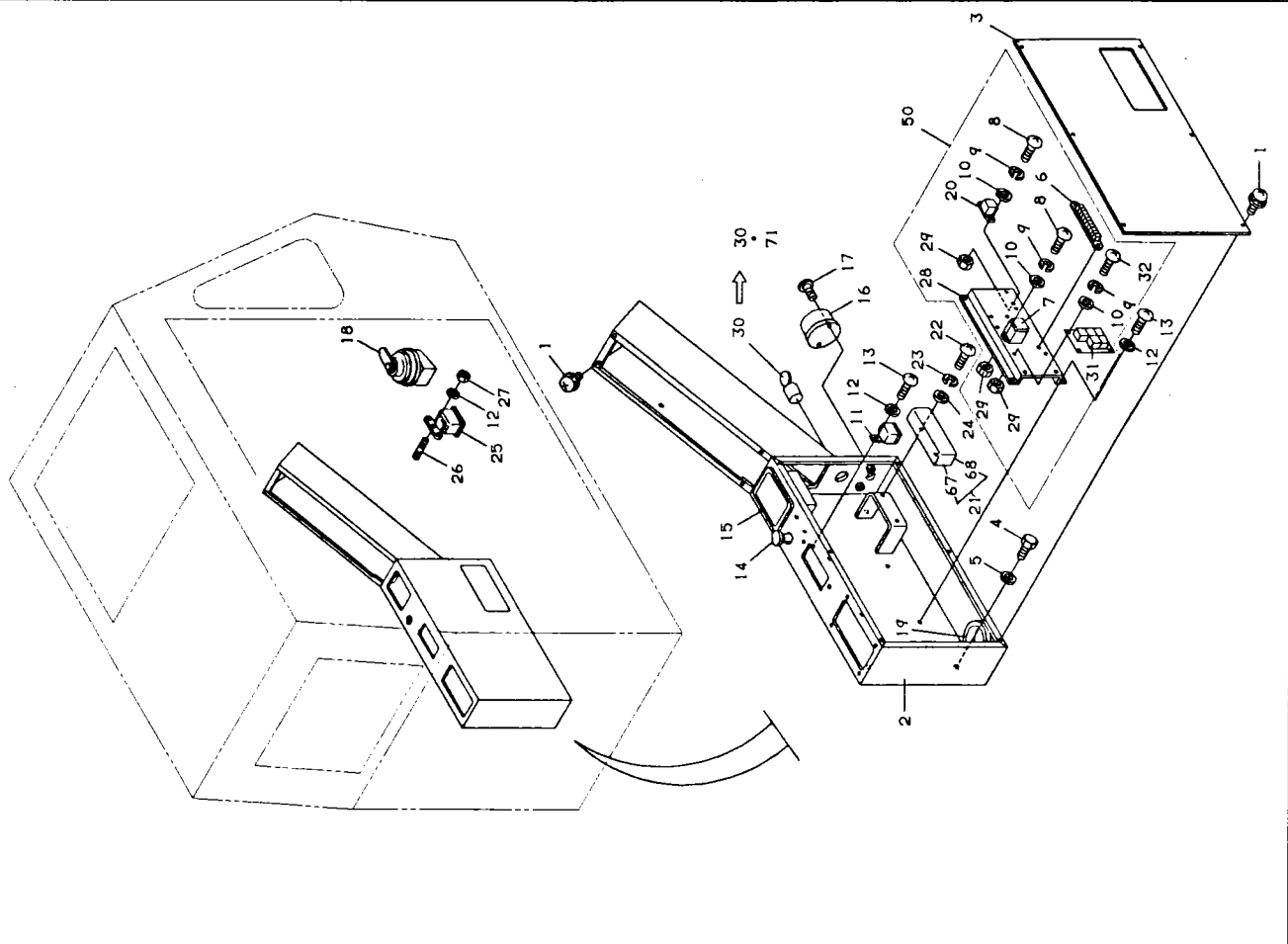
組立名称
 Assembly Name
 バルブ・プレッシャー・ディテクタ
 VALVE, PRESSURE DETECTOR
 P1117-0000-00



組立名称
 Assembly Name
 バルブ・プレッシャー・ディテクタ
 VALVE-PRESSURE DETECTOR
 FIG. P1117-0000-00
 スペック番号
 Specification No.
 A < TL-250M-4-10101 >
 B < TL-250M-4-10102 >
 C < TL-250M-4-20101 >
 D < TL-250M-4-20102 >

指示番号 Key No.	部品番号 Part No.	部品名称 Part Name	Qty Per Section													実務号 Serial No. (変更番号 Modifi. No.)	ページ Page		
			A	B	C	D	E	F	G	H	I	J	K	L	M			N	O
1	360-303-41010	VALVE	1	1	1														
2	910-028-01000	O-RING 10 P10	1	1	1														
3	910-028-00500	O-RING 10 P5	1	1	1														
4	360-304-20200	ROD	1	1	1														
5	370-012-00040	SPRING	1	1	1														
6	910-028-04400	O-RING 10 P44	1	1	1														
7	360-303-41030	COVER	1	1	1														
8	903-020-40801	WASHER, SPRING 8	4	4	4														
9	901-012-08020	BOLT M8X20	4	4	4														
10	821-000-01389	SWITCH, LIMIT	1	1	1														
11	903-020-40601	WASHER, SPRING M6	2	2	2														
12	901-012-06012	BOLT M6X12	2	2	2														
13	360-303-41050	COVER	1	1	1														
14	821-000-01035	GROMMET	1	1	1														
15	903-033-71001	WASHER	1	1	1														
20	360-307-60000	VALVE, PRESSURE DETECTOR	1	1	1														

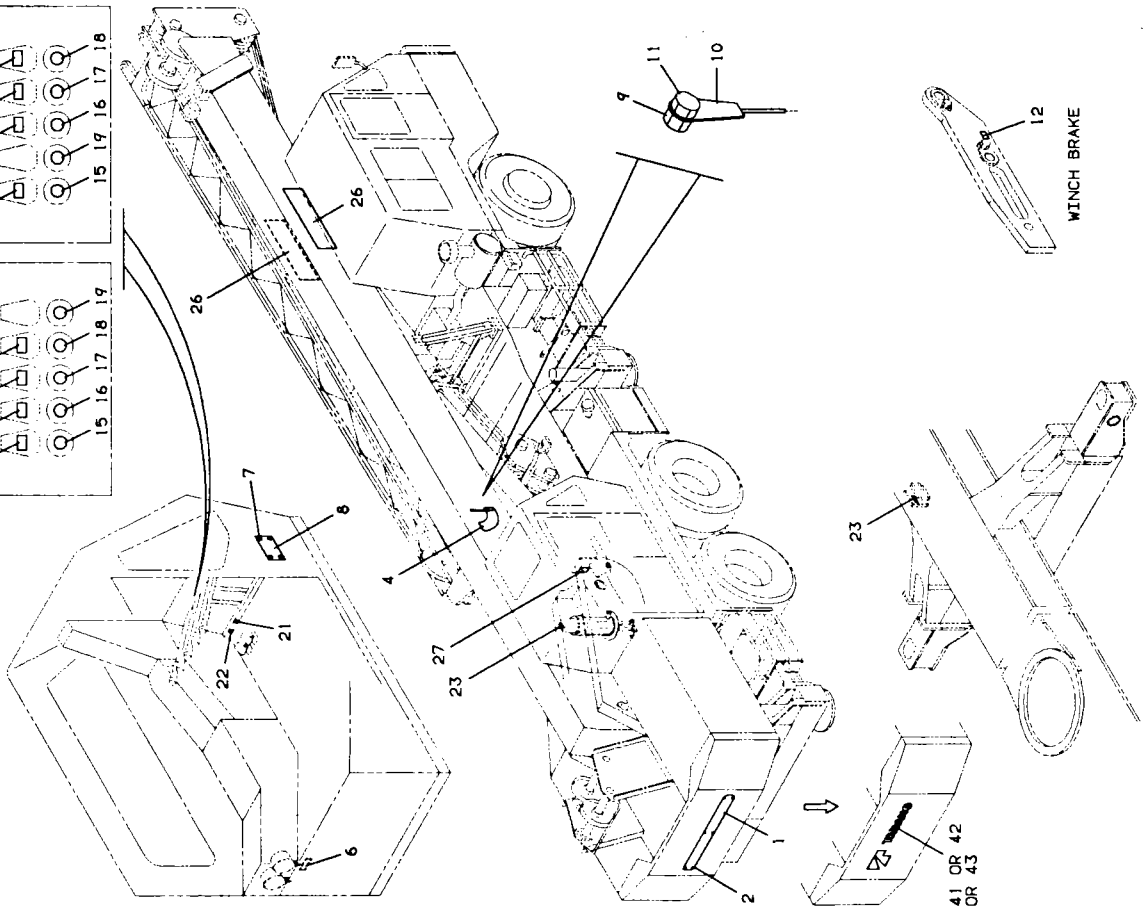
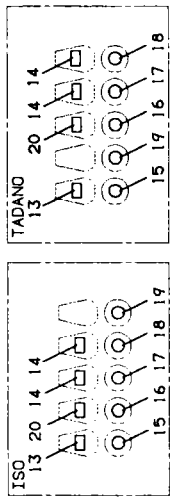
組立名称 エレクトリカル ハーツ キヤブ
 Assembly Name ELECTRICAL PARTS,CAB PNI105-0084-00



指示番号 Key No.	部品番号 Part No.	部品名称 Part Name	Qty Per Section											家番号 Serial No. (変更番号 Modifi. No.)	ページ Page				
			A	B	C	D	E	F	G	H	I	J	K			L	M	N	O
1	801-924-85014	SCREW,MACHINE M5X14	10	10	10	10	10	10	10	10	10	10	10	10	10	10			
2	334-322-91100	CASE	1	1	1	1	1	1	1	1	1	1	1	1	1	1			
3	334-317-51020	COVER	1	1	1	1	1	1	1	1	1	1	1	1	1	1			
4	901-012-08014	BOLT M8X14	5	5	5	5	5	5	5	5	5	5	5	5	5	5			
5	903-020-40801	WASHER,SPRING 8	5	5	5	5	5	5	5	5	5	5	5	5	5	5			
6	334-317-51030	TERMINAL ASSY	1	1	1	1	1	1	1	1	1	1	1	1	1	1			(- 340551 - 2071241)
6	334-322-31010	TERMINAL ASSY	1	1	1	1	1	1	1	1	1	1	1	1	1	1			
6	334-322-31010	TERMINAL ASSY	1	1	1	1	1	1	1	1	1	1	1	1	1	1			
7	334-317-51040	RELAY ASSY	1	1	1	1	1	1	1	1	1	1	1	1	1	1			(340552 - 2071241 -)
8	801-723-03010	SCREW MACHINE M3X10	4	4	4	4	4	4	4	4	4	4	4	4	4	4			
9	903-020-40301	WASHER,SPRING 3	8	8	8	8	8	8	8	8	8	8	8	8	8	8			
10	903-030-70301	WASHER,PLAIN 3	8	8	8	8	8	8	8	8	8	8	8	8	8	8			
11	821-000-01417	RELAY(G2M-1125T-M2R)	1	1	1	1	1	1	1	1	1	1	1	1	1	1			
12	903-020-40601	WASHER,SPRING M6	6	6	6	6	6	6	6	6	6	6	6	6	6	6			
13	801-823-06012	SCREW,MACHINE M6X12	5	5	5	5	5	5	5	5	5	5	5	5	5	5			
14	821-000-01382	LIGHTER,CIGARET	1	1	1	1	1	1	1	1	1	1	1	1	1	1			
15	824-000-00180	TRAY,ASH	1	1	1	1	1	1	1	1	1	1	1	1	1	1			
16	334-305-61200	BUZZER ASSY	1	1	1	1	1	1	1	1	1	1	1	1	1	1			
17	801-763-04014	SCREW,MACHINE M4X14	2	2	2	2	2	2	2	2	2	2	2	2	2	2			
18	821-000-00001	HORN	1	1	1	1	1	1	1	1	1	1	1	1	1	1			
19	824-000-00201	GROHMET K6016	1	1	1	1	1	1	1	1	1	1	1	1	1	1			
20	343-501-71640	BUZZER ASSY	1	1	1	1	1	1	1	1	1	1	1	1	1	1			
21	334-321-31010	BOX,FUSE	1	1	1	1	1	1	1	1	1	1	1	1	1	1			
22	801-723-05020	SCREW,MACHINE	2	2	2	2	2	2	2	2	2	2	2	2	2	2			
23	903-020-40501	WASHER,SPRING 5	2	2	2	2	2	2	2	2	2	2	2	2	2	2			
24	903-031-00501	WASHER,PLAIN 5	2	2	2	2	2	2	2	2	2	2	2	2	2	2			
25	334-317-51030	RELAY ASSY	1	1	1	1	1	1	1	1	1	1	1	1	1	1			
26	901-900-00008	BOLT,STUD M6X20	1	1	1	1	1	1	1	1	1	1	1	1	1	1			
27	902-012-00600	NUT M6	1	1	1	1	1	1	1	1	1	1	1	1	1	1			
28	334-322-91200	SUPPORT	1	1	1	1	1	1	1	1	1	1	1	1	1	1			
29	902-012-00300	NUT M3	8	8	8	8	8	8	8	8	8	8	8	8	8	8			
30	334-322-31700	KEY ASSY (WITH HARNESS-AUTO RETURN)	1	1	1	1	1	1	1	1	1	1	1	1	1	1			(- 340551 - 2070513)
30	334-322-91400	KEY ASSY (WITH HARNESS-DETENT)	1	1	1	1	1	1	1	1	1	1	1	1	1	1			
30	334-322-91400	KEY ASSY (WITH HARNESS-DETENT)	1	1	1	1	1	1	1	1	1	1	1	1	1	1			(340552 - 2070513 -)
31	334-322-91300	RELAY ASSY	1	1	1	1	1	1	1	1	1	1	1	1	1	1			

組立名称 Assembly Name		ワイヤング・マテリアル WIRING MATERIALS		FIG. PH140-0011-00													
仕様書番号 Specification		A < TL-250H-4-10101 D < TL-250H-4-20102		> B < TL-250H-4-10102 > C < TL-250H-4-20101													
指示番号 Key No.	部品番号 Part No.	部品名称 Part Name	Qty	Per Section	備考	実装仕様 Serial No. (変更番号)	ページ Page										
			A	B	C	D	E	F	G	H	I	J	K	L	M	N	O
72	821-000-00964	HOUSING,CONNECTOR	N	N	N	N	N	N	N	N	N	N	N	N	N	N	N
73	821-000-00965	HOUSING,CONNECTOR	N	N	N	N	N	N	N	N	N	N	N	N	N	N	N
74	821-000-00966	HOUSING,CONNECTOR	N	N	N	N	N	N	N	N	N	N	N	N	N	N	N
75	821-000-00967	TERMINAL YAZAKI 7113-2200	N	N	N	N	N	N	N	N	N	N	N	N	N	N	N
76	821-000-00969	PLUG 7157-9740	N	N	N	N	N	N	N	N	N	N	N	N	N	N	N
77	821-000-00968	TERMINAL	N	N	N	N	N	N	N	N	N	N	N	N	N	N	N
78	821-000-01015	CONNECTOR YAZAKI 7228-3023	N	N	N	N	N	N	N	N	N	N	N	N	N	N	N
79	821-000-01016	CONNECTOR	N	N	N	N	N	N	N	N	N	N	N	N	N	N	N
80	821-000-01022	CONNECTOR	N	N	N	N	N	N	N	N	N	N	N	N	N	N	N
81	821-000-01023	CONNECTOR	N	N	N	N	N	N	N	N	N	N	N	N	N	N	N
82	821-000-01024	CONNECTOR	N	N	N	N	N	N	N	N	N	N	N	N	N	N	N
83	821-000-01025	CONNECTOR	N	N	N	N	N	N	N	N	N	N	N	N	N	N	N
84	821-000-01072	CONNECTOR	N	N	N	N	N	N	N	N	N	N	N	N	N	N	N
85	821-000-01073	CONNECTOR	N	N	N	N	N	N	N	N	N	N	N	N	N	N	N
86	821-000-01010	PLUG,CONNECTOR	N	N	N	N	N	N	N	N	N	N	N	N	N	N	N
87	821-000-01011	RECEPTACLE	N	N	N	N	N	N	N	N	N	N	N	N	N	N	N
88	821-000-01012	TERMINAL, SOCKET	N	N	N	N	N	N	N	N	N	N	N	N	N	N	N
89	821-000-01013	TERMINAL, PIN	N	N	N	N	N	N	N	N	N	N	N	N	N	N	N

組立名称 7・レポート・インディケーション (777A'-) PO101-1053-02
 Assembly Name PLATE, INDICATION (UPPER 1)

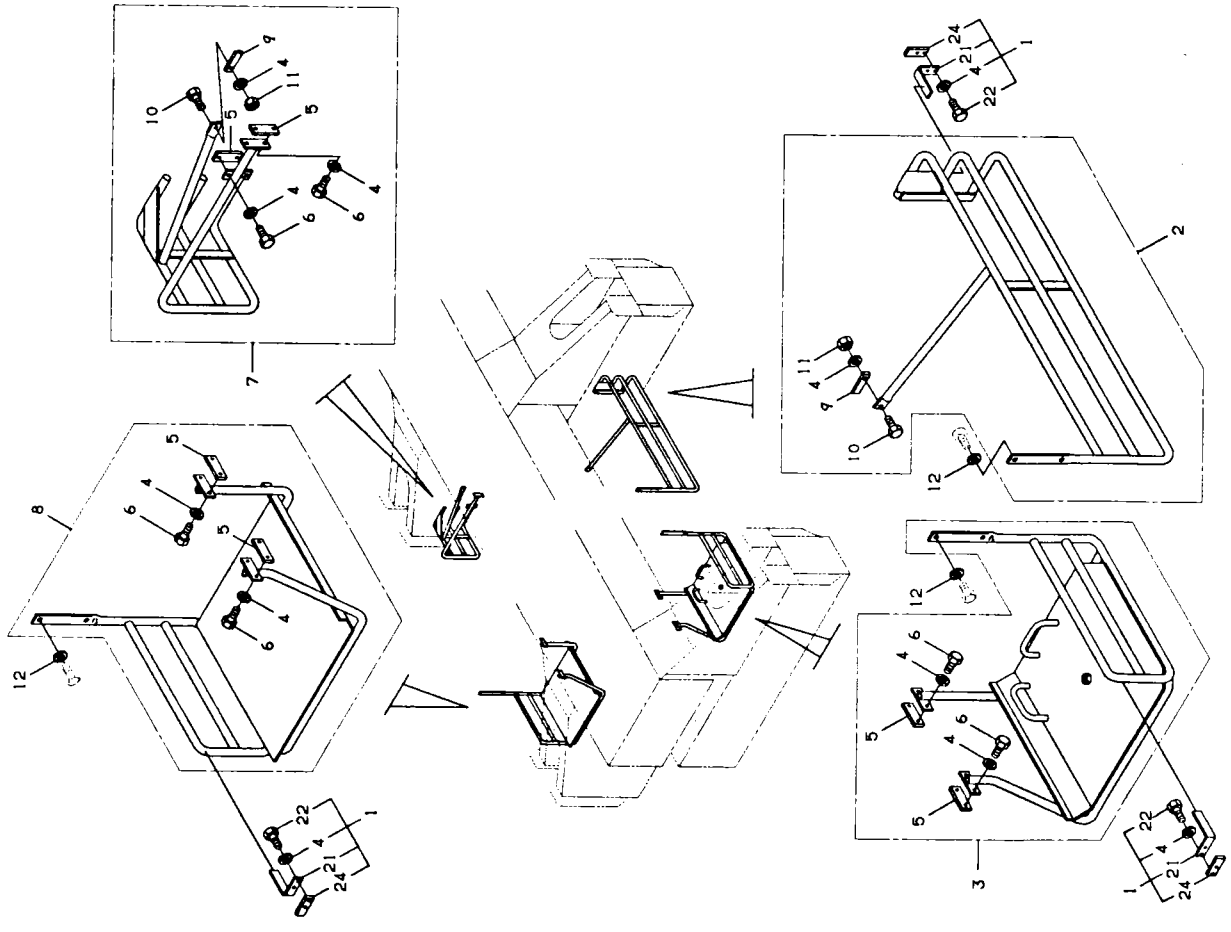


組立名称 7・レポート・インディケーション (777B'- 1) FIG. PO101-1053-02
 Assembly Name PLATE, INDICATION (UPPER 1)

仕様書 No. A < TL-250M-4-10101 > B < TL-250M-4-10102 > C < TL-250M-4-20101 > D < TL-250M-4-20102 >

表示番号 Key No.	部品番号 Part No.	部品名称 Part Name	Qty Per Section													実装番号 Serial No. (変更番号 Modifi. No.)	ページ Page										
			A	B	C	D	E	F	G	H	I	J	K	L	M			N	O								
4	333-900-00220	PLATE, NAME	1	1	1	1																					
6	370-022-07010	PLATE, NAME	1	1	1	1																					
7	801-473-10420	RIVET 3.2X6	4	4	4	4																					
8	370-022-02680	PLATE, NAME	1	1	1	1																					
9	902-012-01000	NUT M10	1	1	1	1																					
10	126-471-07001	INDICATOR	1	1	1	1																					
11	901-012-10016	BOLT M10X16	1	1	1	1																					
12	343-902-23800	PLATE, NAME (WINCH BRAKE)	2	2	2	2																					
13	370-022-00010	PLATE, NAME	1	1	1	1																					
14	370-022-07020	PLATE, NAME	2	2	2	2																					
15	370-022-00050	PLATE, NAME (SWING)	1	1	1	1																					
16	370-022-00070	PLATE, NAME (TELESCOPING)	1	1	1	1																					
17	370-022-07030	PLATE, NAME (AUX. WINCH)	1	1	1	1																					
18	370-022-07040	PLATE, NAME (MAIN WINCH)	1	1	1	1																					
19	370-022-00060	PLATE, NAME (ELEVATING)	1	1	1	1																					
20	370-022-07270	PLATE, NAME	1	1	1	1																					
21	370-022-07310	PLATE, NAME	1	1	1	1																					
22	370-022-07320	PLATE, NAME	1	1	1	1																					
23	370-022-01980	PLATE, NAME (200*390E5)	1	1	1	1																					
23	370-022-01980	PLATE, NAME (200*390E5)	2	2	2	2																					
23	370-022-01980	PLATE, NAME (200*390E5)	2	2	2	2																					
26	370-022-09450	PLATE, NAME (TADANO)	2	2	2	2																					
26	370-022-09470	PLATE, NAME (TADANO)	2	2	2	2																					
27	333-936-91100	PLATE, CAUTION	1	1	1	1																					
27	333-936-91100	PLATE, CAUTION	1	1	1	1																					
41	370-022-14500	PLATE, NAME (BLUE+BLACK)	1	1	1	1																					
42	370-022-14510	PLATE, NAME (BLUE+WHITE)	1	1	1	1																					
43	370-022-14520	PLATE, NAME (WHITE+WHITE)	1	1	1	1																					

組立名称
 Assembly Name
 サイドガードのインストール
 SIDE GUARD INSTALLATION
 PX120-0047-00



組立名称
 Assembly Name
 サイドガードのインストール
 SIDE GUARD INSTALLATION
 FIG. PX120-0047-00

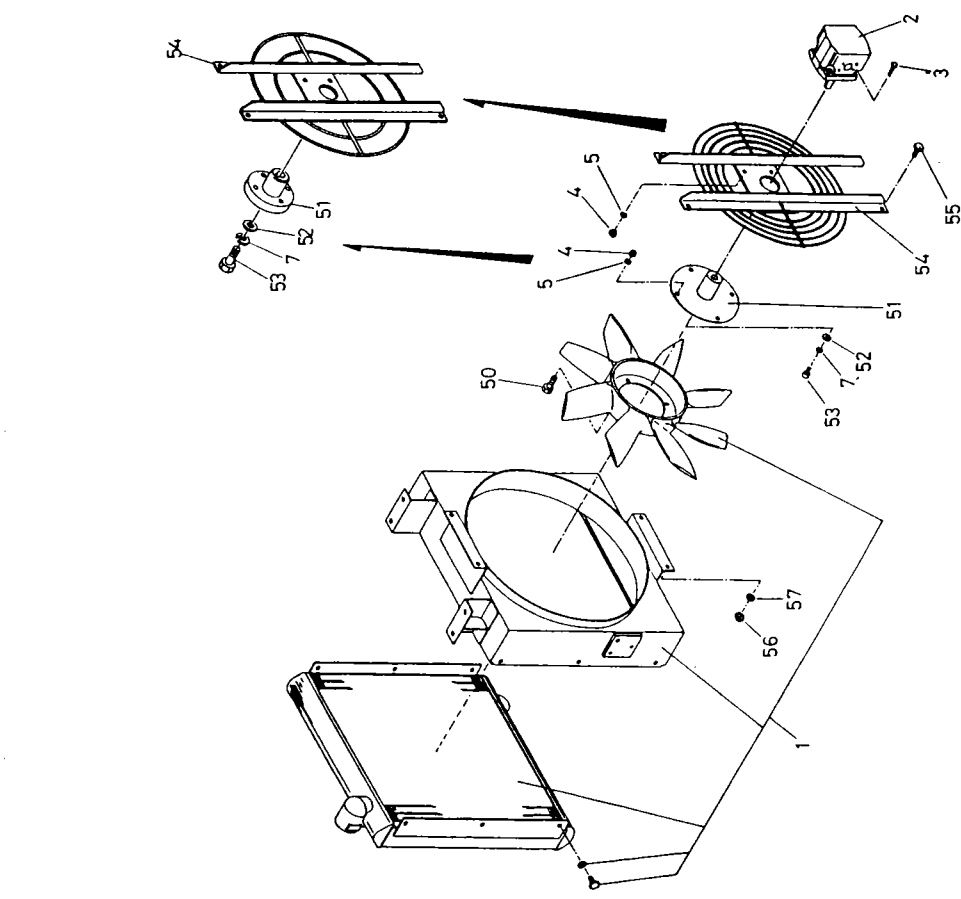
仕様書番号
 Specification No.
 A < TL-250M-4-10101
 D < TL-250M-4-20102

指定書番号 Key No.	部品番号 Part No.	部品名称 Part Name	QTY Per Section													変更番号 Serial No. (変更番号 Modifi. No.)	ページ Page
			A	B	C	D	E	F	G	H	I	J	K	L	M		
1	337-703-45000	SUPPORT ASSY	-	3	3												
2	337-706-18020	SIDE GUARD ASSY	-	1	1												
3	337-706-18030	SIDE GUARD ASSY	-	1	1												
4	903-020-41001	WASHER-SPRING 10	-	20	20												
5	563-600-13000	PLATE	-	6	6												
6	901-012-10016	BOLT M10X16	-	12	12												
7	337-706-18010	SIDE GUARD ASSY	-	1	1												
8	337-704-48041	SIDE GUARD ASSY	-	1	1												
9	370-005-04140	PLATE	-	2	2												
10	901-012-10030	BOLT M10X30	-	2	2												
11	902-012-01000	NUT M10	-	2	2												
12	903-030-71201	WASHER,PLAIN 12	-	6	6												
21	337-703-45100	SUPPORT	-	3	3												
22	901-012-10020	BOLT M10X20	-	6	6												
24	370-005-00880	PLATE	-	3	3												

組立名
Assembly Name

クーラ、オイル
COOLER, OIL

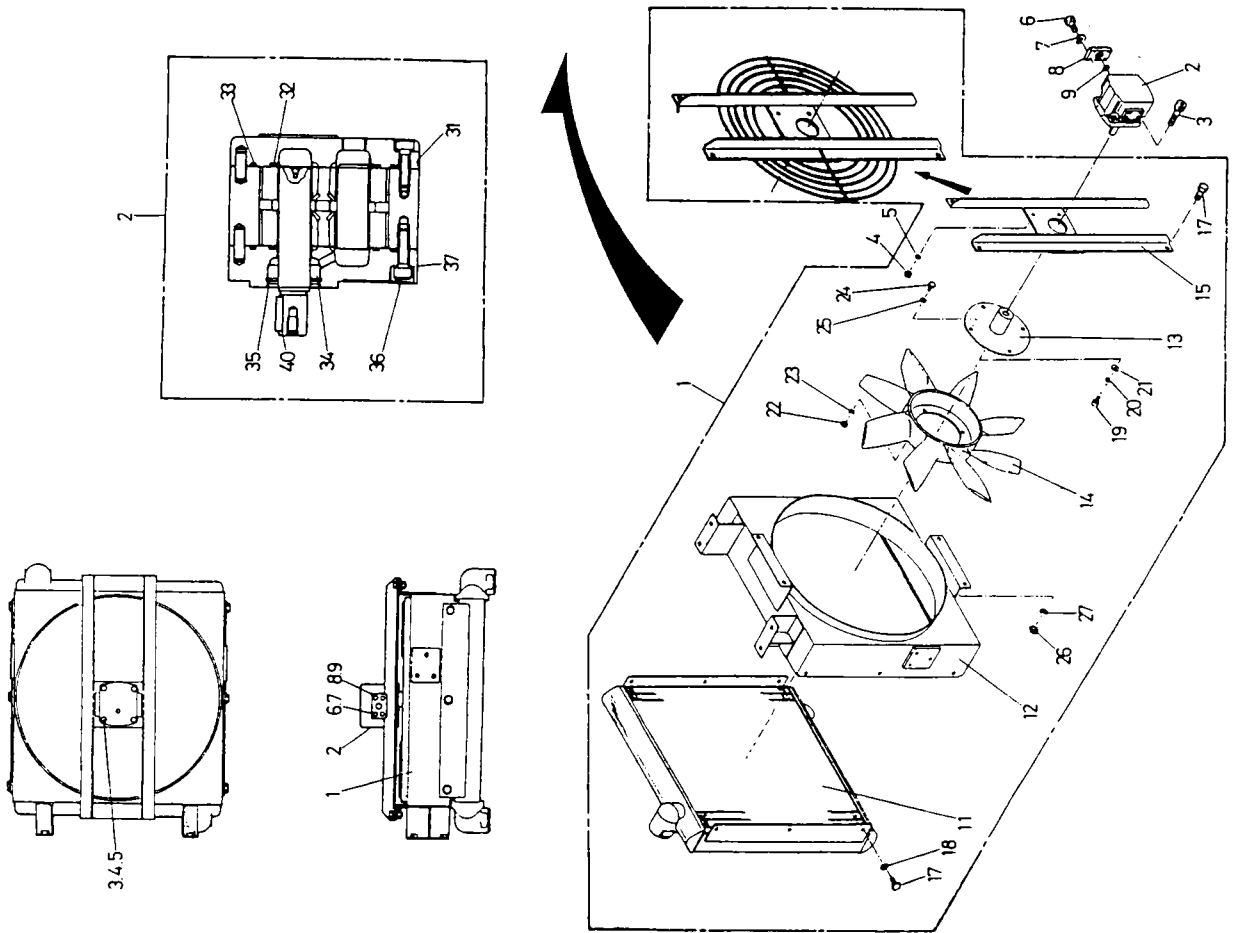
PY130-0002-03



組立名
Assembly Name

クーラ、オイル
COOLER, OIL

PY130-0002-03



変更番号 Modif. No.	実機号機 Serial No.	組立名称 Assembly Name	ページ Page	旧部品 Old Parts				新部品 New Parts			
				指示番号 Key No.	部品番号 Part No.	個数 Qty	指示番号 Key No.	部品番号 Part No.	個数 Qty		
2063068	340528-	マウント・ウィッチ MOUNT WITCH	276	25	333-106-60050	2	25	333-106-60070	2		
				25	333-106-60050	2	25	333-106-60070	2		
				81	901-015-08020	4					
				82	903-020-41001	4					
				83	903-030-70801	4					
2065194	340537-	オプション OPTIONS	50	7	366-900-81000	1	7	366-901-21000	1		
				1	366-900-81000	1	1	366-901-21000	1		
				4	902-012-00800	8	4	902-012-00800	4		
2065440	340522-	マウント・ウィッチ MOUNT WITCH	276	15	333-106-68020	1	15	333-106-60500	1		
				11	901-015-16060	4	11	901-015-16060	6		
				13	902-014-01600	6	13	902-014-01600	6		
				14	370-015-03510	2	15	333-106-60500	1		
				15	333-106-68020	1	112	903-020-41601	6		
2066984	340529-	検出オーバー WINDING (JIB&S/T)	364	1	337-611-80100	1	1	337-631-71000	1		
				9	361-130-50000	1	9	361-155-40000	1		
				5	332-505-91000	1					
				36							
				36							
2067437	340548-	ポンプ PUMP	598	1	337-611-80100	1	1	337-631-71000	1		
				9	361-130-50000	1	9	361-155-40000	1		
				5	332-505-91000	1					
				36							
				36							
2067839	340552-	安全装置 SAFETY DEVICES	28	9	361-130-50000	1	9	361-155-40000	1		
				5	332-505-91000	1					
				36							
				36							
				36							
2067840	340552-	フレーム FRAME	36	4	332-603-53000	1	4	332-605-32000	1		
				10	336-304-90000	1	10	336-307-20000	1		
				11	336-304-90100	1	11	336-307-21000	1		
				11	910-010-02200	1	13	162-651-53131	1		
				13	162-651-53130	1	14	162-651-53141	1		
2067841	340552-	油圧式圧力発生 システム HYDRAULIC PRESSURE GENERATING SYSTEM	6	10	336-304-90000	1	10	336-307-20000	1		
				11	336-304-90100	1	11	336-307-21000	1		
				11	910-010-02200	1	13	162-651-53131	1		
				13	162-651-53130	1	14	162-651-53141	1		
				14	162-651-53140	1	22	910-028-02600	1		
2068095	340545-	カウンタ COUNTER	440	11	910-010-02200	1	13	162-651-53131	1		
				13	162-651-53130	1	14	162-651-53141	1		
				14	162-651-53140	1	22	910-028-02600	1		
				22	910-028-02800	1					
				18	337-104-00500	1					
2068238	-340551	作動加速装置 OPERATION SYSTEM OUTRIGGER ACCELERATO	134	18	337-104-00500	1					
				26	370-015-00110	2	26	370-015-00110	1		
				43	370-015-06920	1					

変更番号 Modif. No.	実機号機 Serial No.	組立名称 Assembly Name	ページ Page	旧部品 Old Parts				新部品 New Parts			
				指示番号 Key No.	部品番号 Part No.	個数 Qty	指示番号 Key No.	部品番号 Part No.	個数 Qty		
2068239	340552-	パイピング・ロー リターン PIPING, LOWER RETURN	72	11	370-025-00050	1	11	370-025-00260	1		
				54	366-900-62000	1	54	366-900-62001	1		
2068357	340549-	クーラー・オイル COOLER, OIL	634	1	370-009-20920	1	1	370-009-06140	1		
				33	803-160-70040	1					
				34	910-028-01100	1					
2070493	340642-	パイピング・フロント ジャック PIPING, FRONT JACK	164	1	370-009-20920	1	1	370-009-06140	1		
				33	803-160-70040	1					
				37	910-028-01100	1					
2070495	340642-	パイピング・フロント ジャック PIPING, FRONT JACK	160	1	370-009-20920	1	1	370-009-06140	1		
				36	803-160-70040	1					
				37	910-028-01100	1					
2070513	340552-	電気部品 ELECTRICAL PARTS, CAB	514	30	334-322-31700	1	30	334-322-91400	1		
				21	366-205-10000	1	21	366-236-30000	1		
2070572	340552-	アウトリガーシステム OUTRIGGER SYSTEM	10	21	366-205-10000	1	21	366-236-30000	1		
				14	333-400-81050	2	14	333-400-81040	2		
				15	804-001-60108	1	15	804-001-60103	1		
2070645	340552-	パイピング・スイング PIPING, SWING	194	34	804-001-60102	1					
				23	370-022-01980	1	23	370-022-01980	2		
				27	333-936-91100	1	27	333-936-91100	1		
2070738	340552-	プレート・指示 プレート PLATE, INDICATION (COPPER 1)	554	6	334-317-51030	1	6	334-322-31010	1		
				514							
				518							
2071241	340552-	電気部品 ELECTRICAL PARTS, CAB	514	0	334-317-51030	1	6	334-322-31010	1		
				25	370-005-01130	1					
				26	901-012-08012	1					
2071242	-340567	リトラクション システム・ジャック RETRACTION CONTROL SYSTEM, JACK	140	27	561-400-31000	1					
				28	903-020-40801	1					
				4	334-323-02100	1	4	334-323-02101	1		
2071261	340562-	検出装置 DETECTOR, OUTRIGGER STATE (NO. 2)	144	26	370-015-00110	2	26	370-015-00110	1		
				43	370-015-06920	1					
				26	370-015-00110	2	26	370-015-00110	1		
2072424	-340571-	アウトリガー加速装置 OUTRIGGER ACCELERATO	136	26	370-015-00110	2	26	370-015-00110	1		
				43	370-015-06920	1					
				26	370-015-00110	2	26	370-015-00110	1		

INDEX - 9

部 品 番 号 Part No.	頁 Page	指示番号 Key No.	部 品 番 号 Part No.	頁 Page	指示番号 Key No.	部 品 番 号 Part No.	頁 Page	指示番号 Key No.
333-303-01110	190	78	333-400-81040	251	63	333-700-20210	343	8
333-303-02000	189	10		255	38		345	8
333-305-51200	225	41		256	39	333-700-20610	343	7
	229	41		256	42		345	7
333-310-10040	225	22		260	61	333-700-20620	343	6
333-310-10100	225	14		263	39		345	6
	229	13		264	42	333-700-25170	347	5
333-310-12100	225	49		630	49	333-700-25220	349	17
333-310-18010	225	38	333-400-81050	189	19	333-700-60100	617	47
	229	16		195	14		619	47
333-310-20030	229	49		353	22	333-700-85100	367	3
333-310-21100	229	38		629	20	333-701-97100	312	88
333-310-28010	189	14		354	57		321	93
333-310-30010	190	61	333-403-83200	77	2		328	93
333-310-31100	190	62	333-404-40200	78	43	333-703-51000	343	10
333-310-31400	189	50		77	25		345	10
	203	6	333-407-70060	341	1	333-708-81010	363	7
333-310-38010	504	50		341	23	333-708-81020	363	20
333-310-40010	504	51		341	7	333-708-83200	320	82
333-310-40070	504	16		353	21		328	82
	504	47	333-430-51100	354	71	333-708-85100	365	3
333-310-41000	503	5		195	16	333-708-88030	371	50
	504	71	333-430-55100	77	7	333-708-88040	373	50
333-310-41200	504	73		77	13	333-710-50010	321	88
333-310-41300	504	75	333-430-55400	77	17		328	88
333-310-50100	241	8	333-430-55500	77	21	333-710-50020	321	103
	241	12		77	23		329	103
333-310-52100	241	21	333-430-55600	78	46	333-712-77520	367	6
333-310-52200	241	22		77	12	333-712-97520	367	28
333-310-60100	243	5	333-430-55950	77	14	333-800-30100	237	1
333-310-60200	243	9		379	20		239	1
333-400-81000	195	2	333-600-21040	381	20	333-800-30200	237	2
	251	58		379	16		239	2
333-310-81000	256	40	333-606-81010	379	17	333-800-30300	237	8
	260	58	333-606-81020	381	17		239	8
	263	40		383	17	333-800-30400	237	10
333-400-81040	195	14	333-610-84020	383	16		239	10
	251	61	333-611-51100	381	16	333-800-50700	237	13

INDEX - 10

部 品 番 号 Part No.	頁 Page	指示番号 Key No.	部 品 番 号 Part No.	頁 Page	指示番号 Key No.	部 品 番 号 Part No.	頁 Page	指示番号 Key No.
333-800-50700	239	13	333-938-42120	547	34	334-305-61200	515	16
333-802-40100	237	15	333-938-42130	547	36		519	16
333-802-40200	237	16	333-938-42150	563	39	334-305-63010	351	1
333-802-50100	239	15	333-940-22010	553	4	334-317-51010	513	2
333-802-50200	239	16		563	4	334-317-51020	513	3
333-804-51000	193	2	333-940-22030	553	9		515	3
333-900-00130	547	32		563	9		519	3
	553	42	333-940-22120	553	44	334-317-51030	513	6
333-900-00180	547	8		563	34		515	6
	553	8	333-940-22130	553	46		519	0
	563	8	333-941-02040	563	21		515	7
333-900-00220	555	4	333-950-92110	547	33		519	7
333-900-00300	547	17	333-950-92120	547	39	334-317-51050	513	25
	553	15	333-950-92200	547	7		515	25
333-904-20010	547	1	333-951-52140	547	35	334-317-51070	513	28
	553	1		553	45	334-317-51510	523	1
	563	1	333-952-02110	547	38	334-317-51520	523	2
333-931-21200	553	14		553	48	334-317-52010	529	3
	563	14	333-952-02120	553	49	334-317-53010	377	1
333-931-21250	553	19		563	35	334-317-53100	377	2
	563	19	333-952-02130	553	43	334-317-54020	143	3
333-936-92160	547	31		563	33	334-317-55020	351	6
333-936-92110	547	31	334	553	27	334-317-56010	509	5
	553	41	334-200-31300	341	28	334-322-31010	515	21
	563	31	334-300-00070	529	2		519	21
333-936-92140	563	36	334-300-01010	509	4	334-322-31700	515	6
333-936-92160	547	37	334-300-01510	513	21	334-322-91100	515	30
	553	47	334-300-41300	509	1	334-322-91101	519	2
333-938-42010	563	38	334-300-46400	143	1	334-322-91200	515	28
	547	2		145	2		519	28
	553	2	334-301-24210	511	15	334-322-91300	515	31
	563	2	334-301-51210	509	35		519	31
333-938-42020	547	4	334-302-62110	509	25	334-322-91400	515	30
333-938-42040	547	9	334-305-61200	513	16		519	30

INDEX - 29

部 品 番 号 Part No.	页 Page	指示番号 Key No.	部 品 番 号 Part No.	页 Page	指示番号 Key No.	部 品 番 号 Part No.	页 Page	指示番号 Key No.
594-571-38000	504	43	801-360-32020	241	11	801-723-03020	516	32
801								
801-360-06070	311	14	801-360-32030	243	8		519	32
801-360-16012	413	19	801-360-32032	341	31	801-723-04008	467	68
801-360-20010	123	6		322	163		467	168
	125	7	801-360-40030	330	163		474	68
	501	12	801-360-40035	141	2		475	168
801-360-20012	137	7	801-360-50045	593	8	801-723-04010	81	10
	137	24		617	31	801-723-04012	298	241
	466	40	801-360-60050	619	30		307	241
	474	40		319	19		466	53
	131	3	801-363-20012	327	19		474	53
	133	3		127	10	801-723-04014	298	236
	155	16		128	55		307	236
	141	23	801-363-20016	503	9	801-723-04025	271	8
	213	13	801-363-32020	503	15	801-723-04030	643	5
801-360-20016	217	29	801-363-32028	503	18		645	5
	239	22		469	28	801-723-05012	621	27
	313	165		127	28		645	9
	211	17	801-473-10420	223	7	801-723-05016	647	2
	365	24	801-473-10440	555	7	801-723-05020	513	22
801-360-20018	189	13		225	15		515	22
	189	34	801-521-05012	229	14		519	22
	321	124	801-613-03006	141	15		466	48
	329	124	801-621-04010	95	53	801-743-04008	474	48
	189	7	801-623-03025	371	4		466	62
	109	23		371	4		474	62
	110	23	801-651-06010	373	4	801-753-04016	643	2
801-360-25020	113	23	801-713-04012	375	4		645	2
	114	23	801-713-05010	393	3	801-763-04012	466	49
	466	38		357	11	801-763-04014	474	49
	474	38	801-713-06012	361	11		513	17
	217	21		465	10		515	17
	569	6	801-723-03010	473	10	801-763-05012	519	17
	215	26		513	8		467	80
	237	19		515	8	801-823-06012	475	80
	239	19		519	8		393	9
				622	76		507	3
							513	13

INDEX - 30

部 品 番 号 Part No.	页 Page	指示番号 Key No.	部 品 番 号 Part No.	页 Page	指示番号 Key No.	部 品 番 号 Part No.	页 Page	指示番号 Key No.
801-823-06012	515	13	803-010-10100	165	8	803-020-90241	70	40
	519	13		169	8		159	29
	622	72		503	12		161	29
801-823-06020	321	104	803-010-10120	629	35		165	23
	329	104	803-010-10160	69	25		169	23
	321	104	803-010-10241	73	30		629	10
	329	104		75	4	803-030-10160	67	9
801-824-05020	379	13	803-020-10100	195	9	803-030-30100	225	5
	381	13		225	7		229	5
	383	13		229	7		250	31
	123	35		250	25		255	13
801-824-84012	621	20		255	17		259	31
801-924-84016	271	22		259	25		263	13
801-924-85014	241	6		263	17	803-030-30120	195	10
	461	36		267	1	803-030-30140	127	1
	463	36		268	1		137	15
	503	31		353	18		165	4
	513	1		387	6		169	4
	515	1	803-020-10120	250	26		503	11
	519	1		255	18	803-030-30160	504	39
	621	24		259	26	803-030-30240	629	17
802				263	18	803-030-50060	250	29
802-050-01000	61	11	803-020-10140	159	2		259	29
803				161	2	803-031-30101	250	19
803-010-10060	81	20		385	4		256	56
803-010-10080	195	32	803-020-10200	629	3		259	19
	250	21	803-020-10240	629	1		284	56
	255	14	803-020-90101	250	8	803-031-30141	127	1
	259	21		259	8		137	15
	263	14		353	8	803-032-40170	67	6
	267	3		385	9		69	6
	268	3	803-020-90141	385	2	803-050-10080	250	10
	127	4	803-020-90161	159	15		259	10
	137	8		161	15		387	2
	155	5		165	20	803-050-10100	159	30
	157	5		169	20		161	30
	159	8	803-020-90181	629	12		165	14
	161	8	803-020-90241	67	12		169	14

CLICK HERE TO **DOWNLOAD** THE COMPLETE MANUAL

- Thank you very much for reading the preview of the manual.
- You can download the complete manual from: www.heydownloads.com by clicking the link below



- Please note: If there is no response to CLICKING the link, please download this PDF first and then click on it.

CLICK HERE TO **DOWNLOAD** THE COMPLETE MANUAL