

AT-170-1 42087131900 LOWER,HINO TKG-XZU640M-TKTQB6

PB3000080-00 POWER UNIT
PO1000149-00 INDICATION PLATES
PX2001506-00 CARRIER UNIT
PX3000819-00 MOUNTING UNIT
PY1001661-00 OPTIONS,1
ASSEMBLY

CLICK HERE TO **DOWNLOAD** THE COMPLETE MANUAL

- Thank you very much for reading the preview of the manual.
- You can download the complete manual from: www.heydownloads.com by clicking the link below



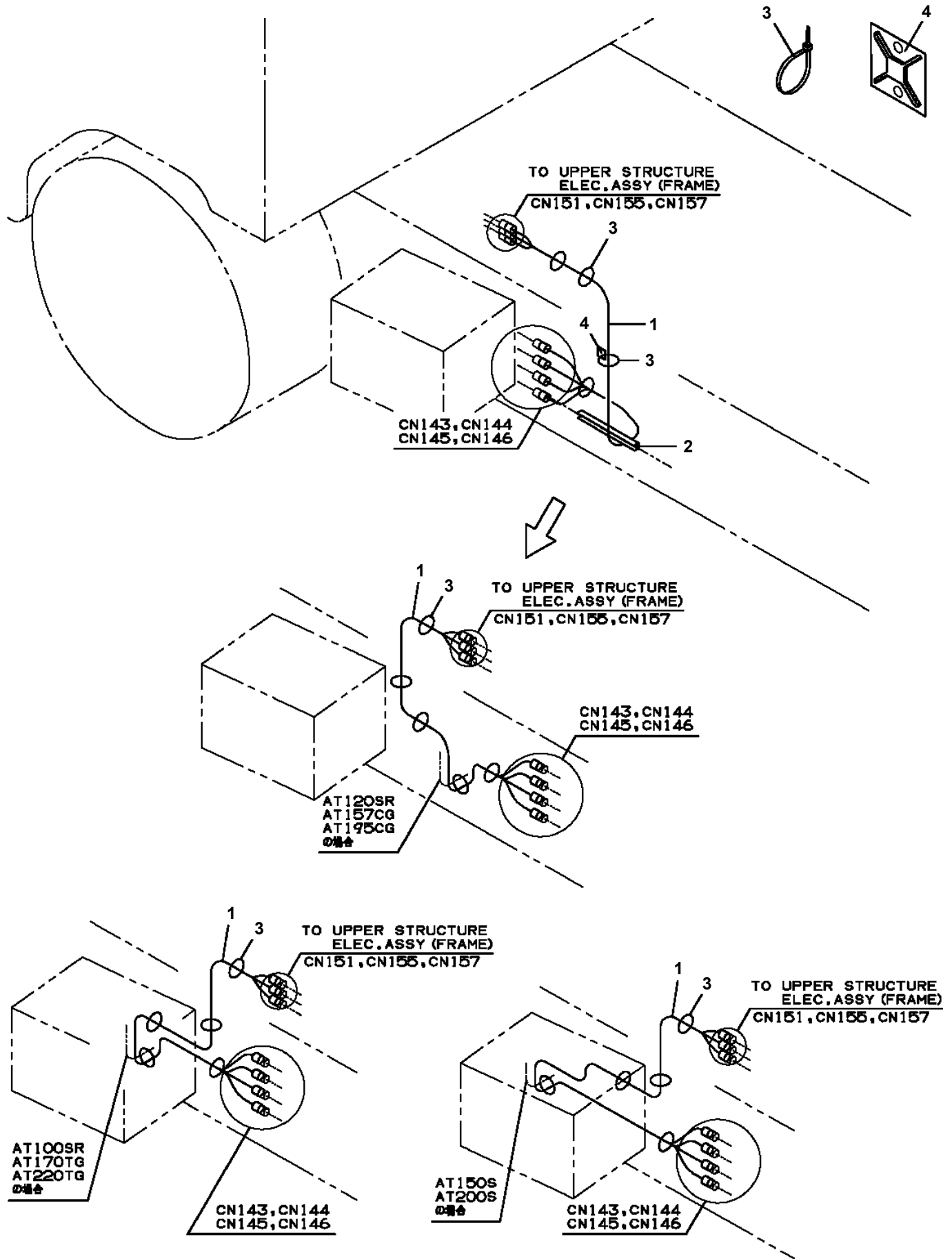
- Please note: If there is no response to CLICKING the link, please download this PDF first and then click on it.

CLICK HERE TO **DOWNLOAD** THE COMPLETE MANUAL

AT-170-1 42087131900 LOWER,HINO TKG-XZU640M-TKTQB6

PB1100101-02 PUMP,HYDRAULIC (EMERGENCY)
PB1110012-01 PUMP INSTALLATION
PB1110014-00 MOUNT,PUMP (EMERGENCY)
PB1411114-02 PIPING,LOWER
PC5530007-00 COUPLING ASSY
PE5070022-02 ELEC.ASSY,CARRIER
PG5200023-00 GUARD ASSY (CAPACITY 100KG,WITH HOOK)
PH5030429-00 HARNESS
PH5030683-00 HARNESS
PH5031599-00 HARNESS
PH5034148-00 HARNESS
PH5034175-00 HARNESS
PL1031144-00 OPE.ASSY,ACCELERATOR
PM5150441-00 MODIFICATION ASSY
PN1014767-01 ELEC.ASSY (CARRIER)
PN1014778-02 ELEC.ASSY
PO1014957-01 PLATE ASSY,NAME (INSIDE CAB)
PP5500003-00 PUMP,OIL (32CC:L)
PX1120590-00 BOOM REST
PX1210162-00 GUARD (770X670X200/NO CAPACITY,WITH HOOK)
PX1260172-00 STEP
PX1290448-00 WEIGHT
PX1360085-01 REFLECTOR (FRAME SIDE)
PX1360090-00 REFLECTOR
PX1410243-01 MOUNT,TIRE
PX5280025-00 MOUNT ASSY,DECK
PX5290036-00 MOUNT ASSY,DECK ON CAB
PX5360075-02 MOUNT ASSY,FRAME
PX5580003-00 MOUNT ASSY,PTO
PX5650024-00 MOUNT ASSY,SIDE GUARD
PX5740045-00 MOUNT ASSY,TAIL LAMP
PY1560067-01 ALARM SYSTEM

**AT-170-1 42087131900 LOWER,HINO TKG-XZU640M-TKTQB6
PE5070022-02 ELEC.ASSY,CARRIER**



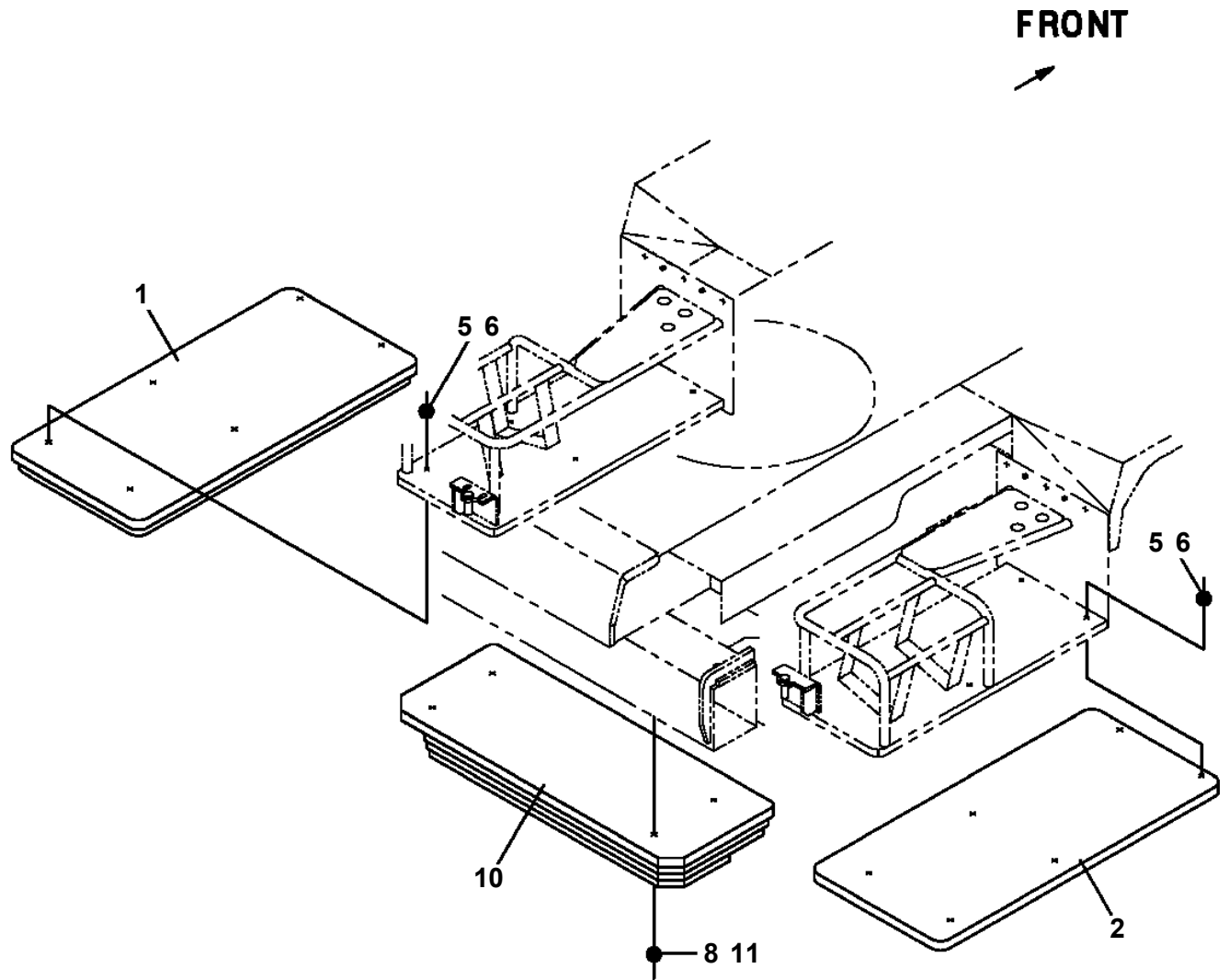
AT-170-1 42087131900 LOWER,HINO TKG-XZU640M-TKTQB6

Pos No.	Parts No	Parts Name	Qty	Unit	Technical Data	Serial No (Start)	Serial No (End)	Remarks	Pages
1	42901530100	HARNESS	1						

AT-170-1 42087131900 LOWER,HINO TKG-XZU640M-TKTQB6

Pos No.	Parts No	Parts Name	Qty	Unit	Technical Data	Serial No (Start)	Serial No (End)	Re
1	42971441200	COVER	1					
2	42971441300	SUPPORT	1					
3	42971431100	LAMP ASSY (WITH HARNESS)	1					
4	42652120300	BUZZER ASSY	1					
5	90101206012	BOLT	8		M6X12			
6	90302040601	WASHER,SPRING	8		6			
7	82400000200	GROMMET	1		KG-012,L=250	230882	230881	
	82400000221	GROMMET	1					
8	80172304012	SCREW,MACHINE	2		M4X12			
9	90303070401	WASHER,PLAIN	2		4			
10	90302040401	WASHER,SPRING	2		4			
11	90201200400	NUT	2		M4			
12	82100000920	GROMMET	1				230881	
13	42971441500	HARNESS	1					
14	91810130240	FASTENER	5					
15	42971431300	PLATE,NAME	1					
16	42971431200	PLATE,CAUTION	1					
17	42971431400	SWITCH ASSY (WITH HARNESS)	1					
18	42971431800	PLATE,NAME	1					
19	82199504017	NUT	1		AT-401N			
20	82199514013	CAP	1					
34	82400000201	GROMMET	1		KG-016			
42	82121800010	PLUG (OTUKA)	1			230882		

AT-170-1 42087131900 LOWER,HINO TKG-XZU640M-TKTQB6
PX1290448-00 WEIGHT



AT-170-1 42087131900 LOWER,HINO TKG-XZU640M-TKTQB6

Pos No.	Parts No	Parts Name	Qty	Unit	Technical Data	Serial No (Start)	Serial No (End)	Remarks	Pages
1	42990131000	DECK	1						
2	90302041001	WASHER,SPRING	8		10				
3	42698920100	SUPPORT	4						
4	90303071001	WASHER,PLAIN	8		10				
5	90201201000	NUT	8		M10				
6	90190208025	BOLT	8		M8X25				
7	90302040801	WASHER,SPRING	8		8				
8	37000506550	PLATE	8		T=1.6				
9	37000563420	PLATE	4		T=3				
10	90101210028	BOLT	8		M10X28				

CLICK HERE TO **DOWNLOAD** THE COMPLETE MANUAL

- Thank you very much for reading the preview of the manual.
- You can download the complete manual from: www.heydownloads.com by clicking the link below



- Please note: If there is no response to CLICKING the link, please download this PDF first and then click on it.

CLICK HERE TO **DOWNLOAD** THE COMPLETE MANUAL