

AT-140-2 42002241900 LOWER,ISUZU TPG-NKR85AN-EE5AHY-JM

PB3000094-00 POWER UNIT

PO1000149-00 INDICATION PLATES

PW1000118-00 ACCESSORIES & TOOLS

PX2001664-00 CARRIER UNIT

PX3000857-00 MOUNTING UNIT

**PY5000008-00 OPTION UNIT,2 (LOWER)
ASSEMBLY**

CLICK HERE TO **DOWNLOAD** THE COMPLETE MANUAL

- Thank you very much for reading the preview of the manual.
- You can download the complete manual from: www.heydownloads.com by clicking the link below



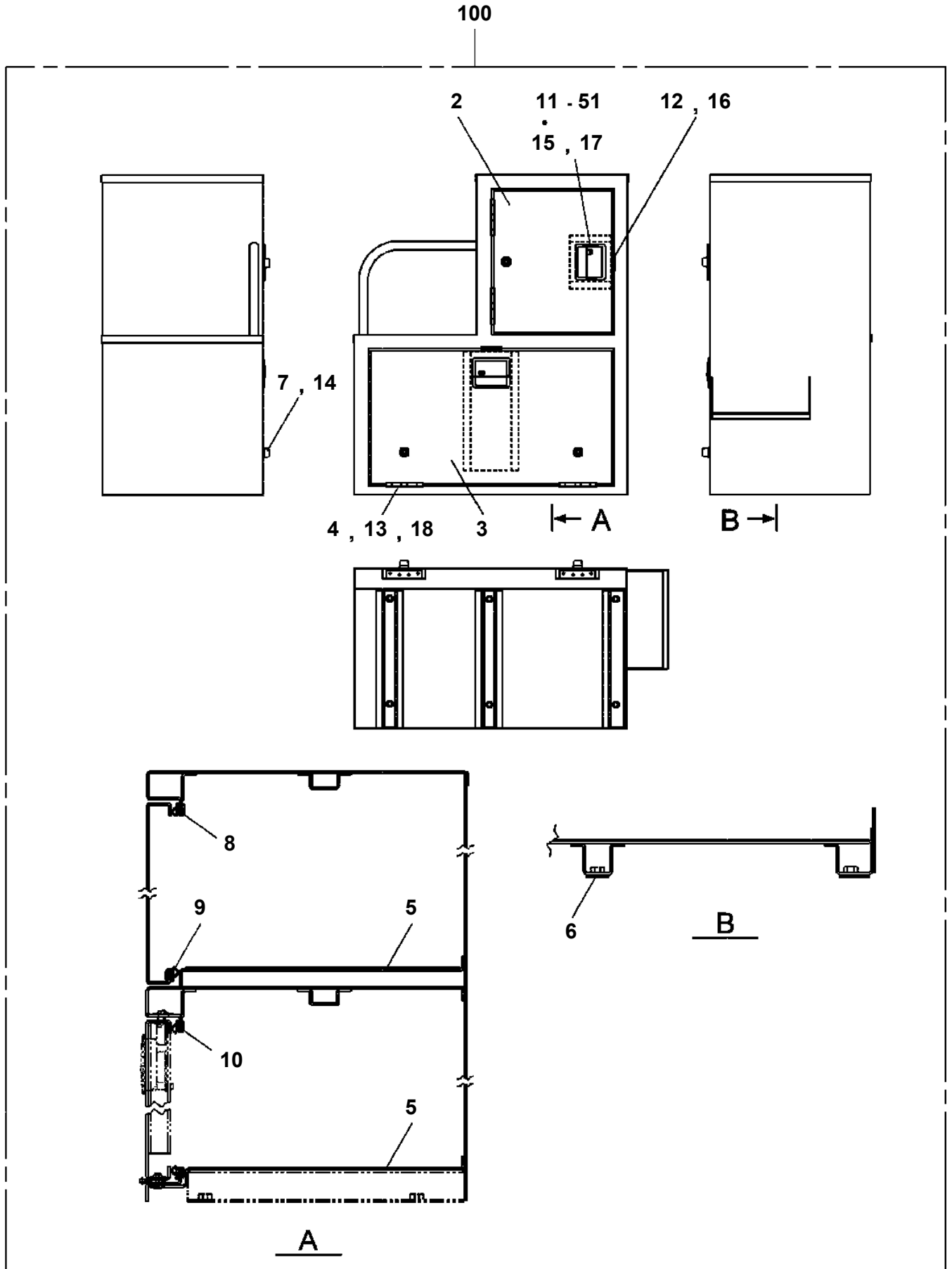
- Please note: If there is no response to CLICKING the link, please download this PDF first and then click on it.

CLICK HERE TO **DOWNLOAD** THE COMPLETE MANUAL

AT-140-2 42002241900 LOWER,ISUZU TPG-NKR85AN-EE5AHY-JM

Pos No.	Parts No	Parts Name	Qty	Unit	Technical Data	Serial No (Start)	Serial No (End)	Remarks
2	(*****)	MOUNT ASSY,SIDE GUARD	1					
3	(*****)	FENDER	1					
5	(*****)	ELEC.ASSY,POWER UNIT	1					
6	(*****)	BUCKET REST	1					
7	(*****)	EARTHING DEVICE	1					
8	(*****)	MOUNT ASSY,TOOL BOX	1					
9	(*****)	MOUNT ASSY,WEIGHT	1					

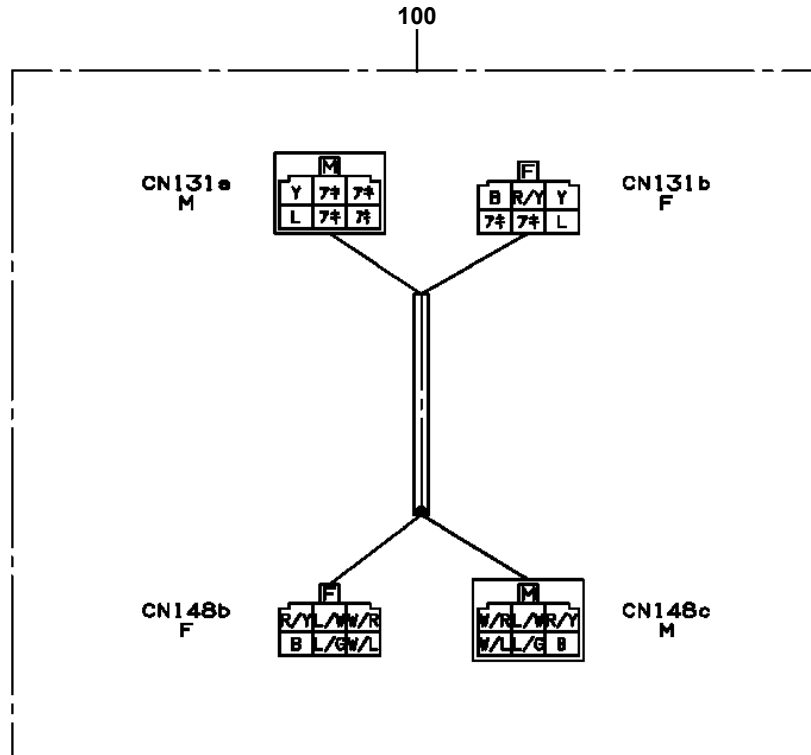
AT-140-2 42002241900 LOWER,ISUZU TPG-NKR85AN-EE5AHY-JM
PB5410125-00 BOX,TOOL



AT-140-2 42002241900 LOWER,ISUZU TPG-NKR85AN-EE5AHY-JM

Pos No.	Parts No	Parts Name	Qty	Unit	Technical Data	Serial No (Start)	Serial No (End)	Remarks
1	82115001002	CONNECTOR	4					
2	42937070101	HARNESS	1					
3	91810132530	FASTENER	20					
4	42937071000	HOUR METER ASSY	1					
5	90101206016	BOLT	3		M6X16			
6	90302040601	WASHER,SPRING	3		6			
7	90303070601	WASHER,PLAIN	3		6			
8	90201200600	NUT	1		M6			
9	34354781710	RELAY (WITH BRACKET)	1					
10	82114103050	CONNECTOR	1					
31	42937072000	HOUR METER ASSY	1					
32	42935481200	HARNESS	1					

AT-140-2 42002241900 LOWER,ISUZU TPG-NKR85AN-EE5AHY-JM
 PH5031493-00 HARNESS



CLICK HERE TO **DOWNLOAD** THE COMPLETE MANUAL

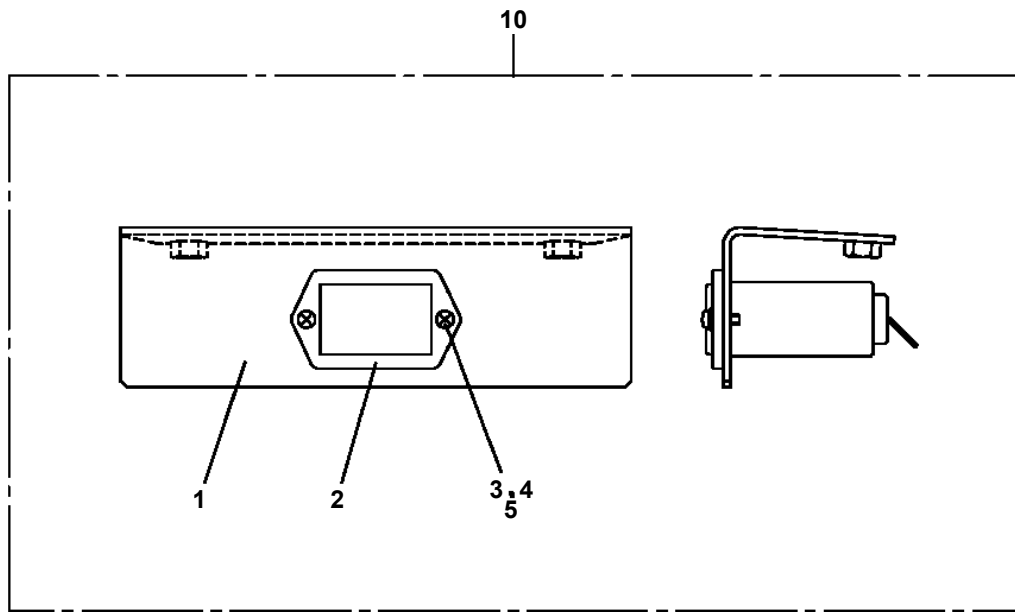
- Thank you very much for reading the preview of the manual.
- You can download the complete manual from: www.heydownloads.com by clicking the link below



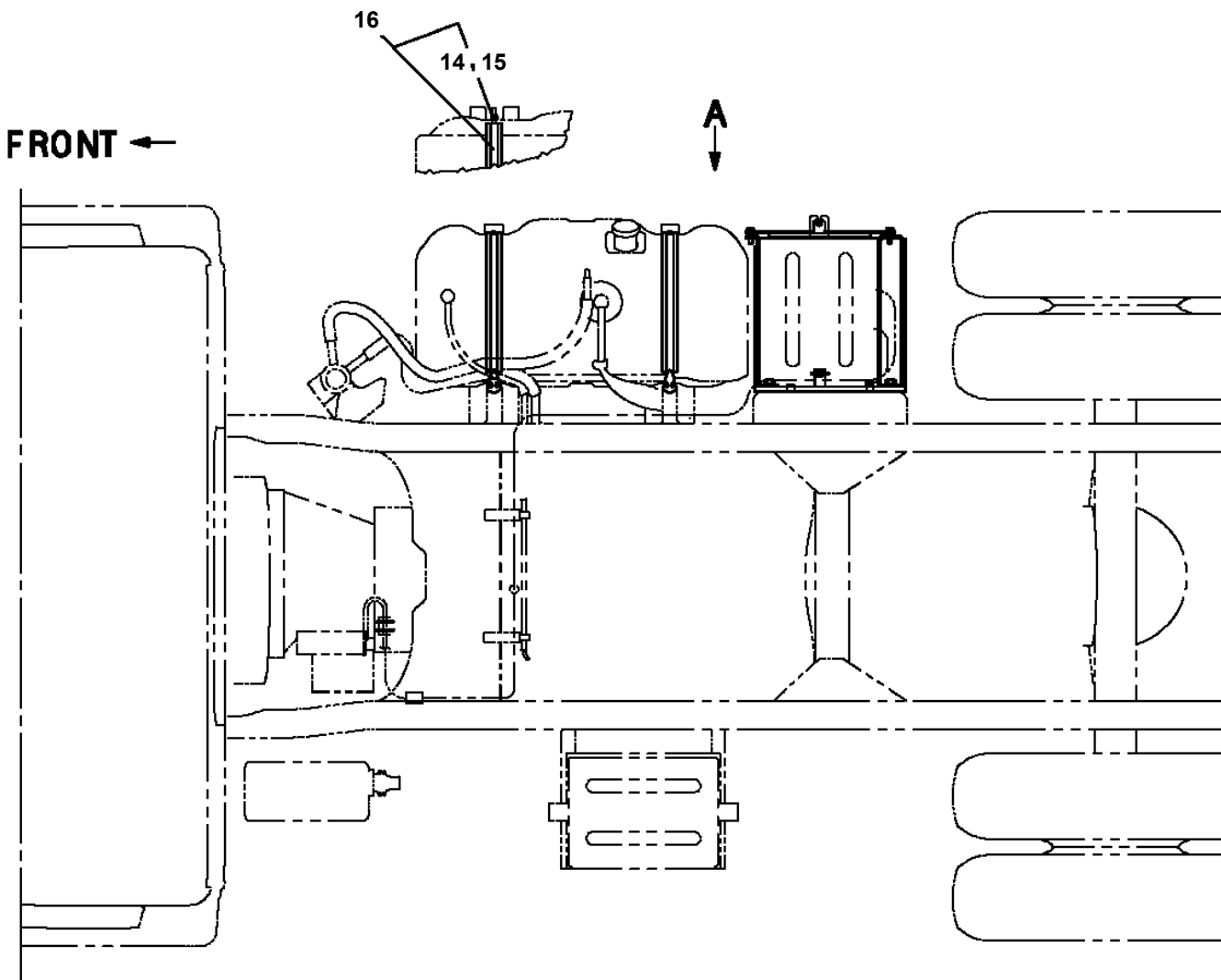
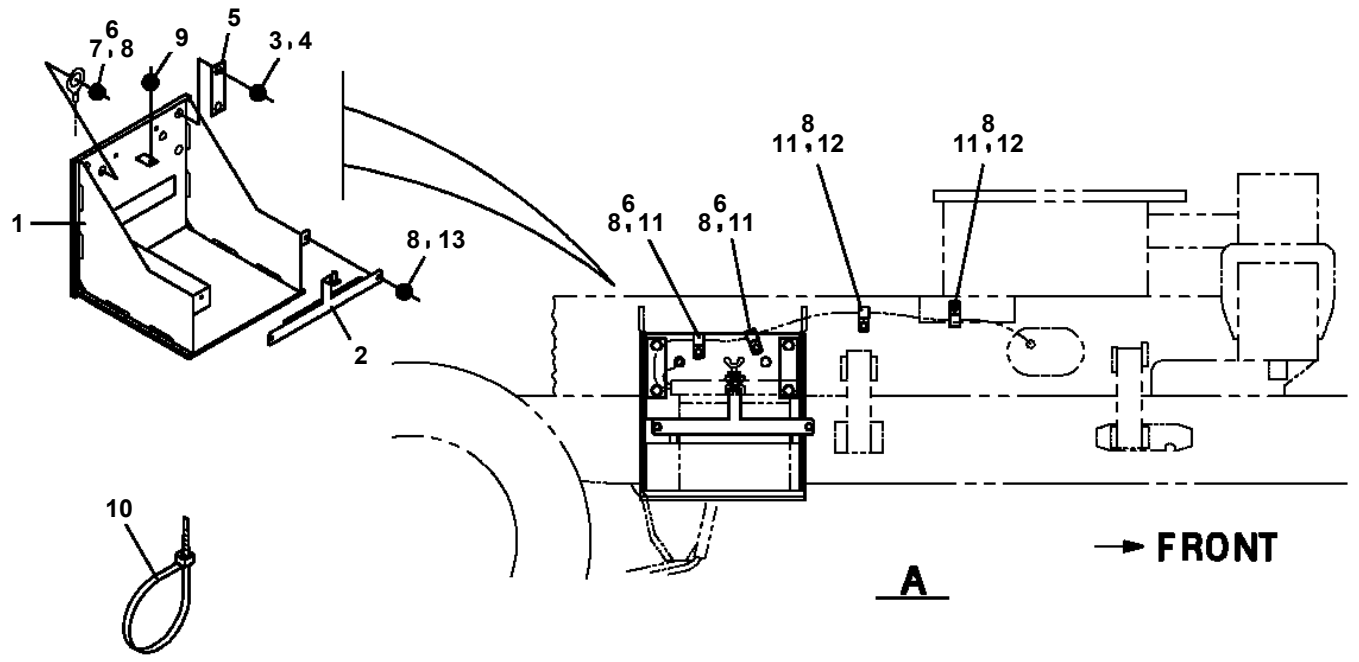
- Please note: If there is no response to CLICKING the link, please download this PDF first and then click on it.

CLICK HERE TO **DOWNLOAD** THE COMPLETE MANUAL

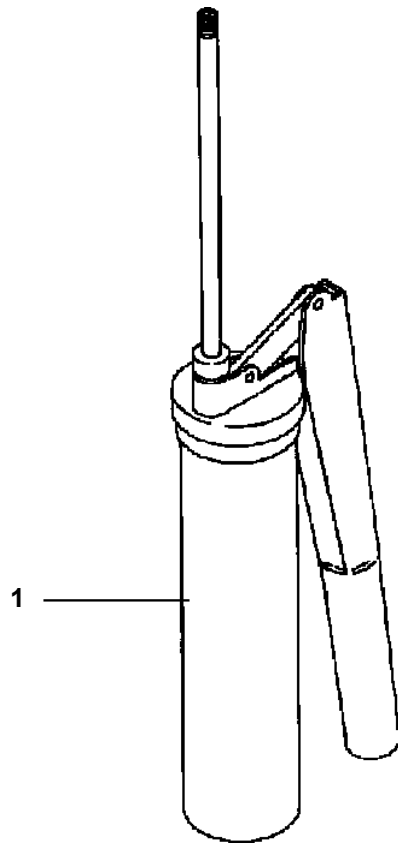
AT-140-2 42002241900 LOWER,ISUZU TPG-NKR85AN-EE5AHY-JM
PH5110002-00 HOUR METER ASSY



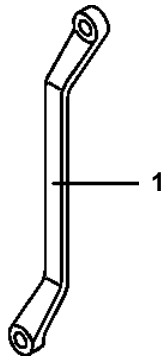
**AT-140-2 42002241900 LOWER,ISUZU TPG-NKR85AN-EE5AHY-JM
PM5150603-00 MODIFICATION ASSY**



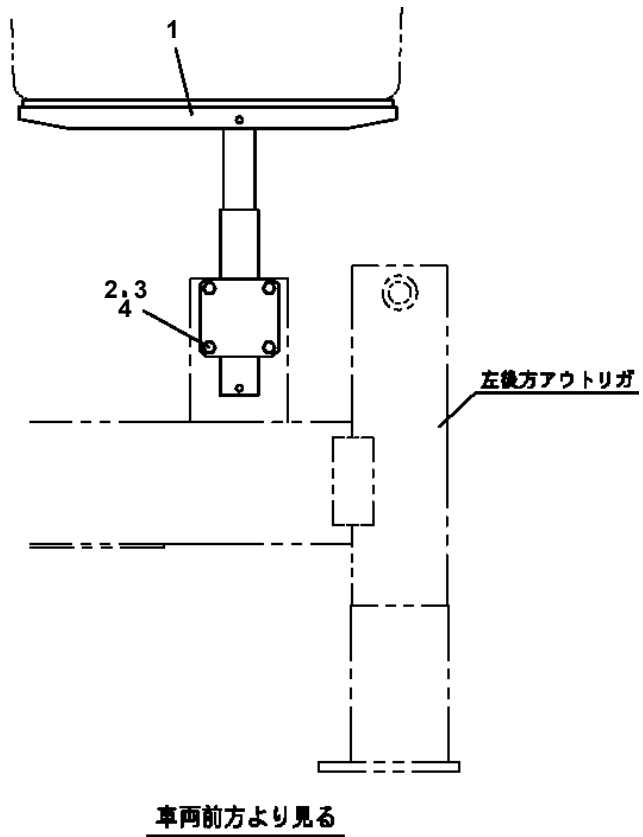
**AT-140-2 42002241900 LOWER,ISUZU TPG-NKR85AN-EE5AHY-JM
PP5450004-00 PUMP,GREASE (400CC)**



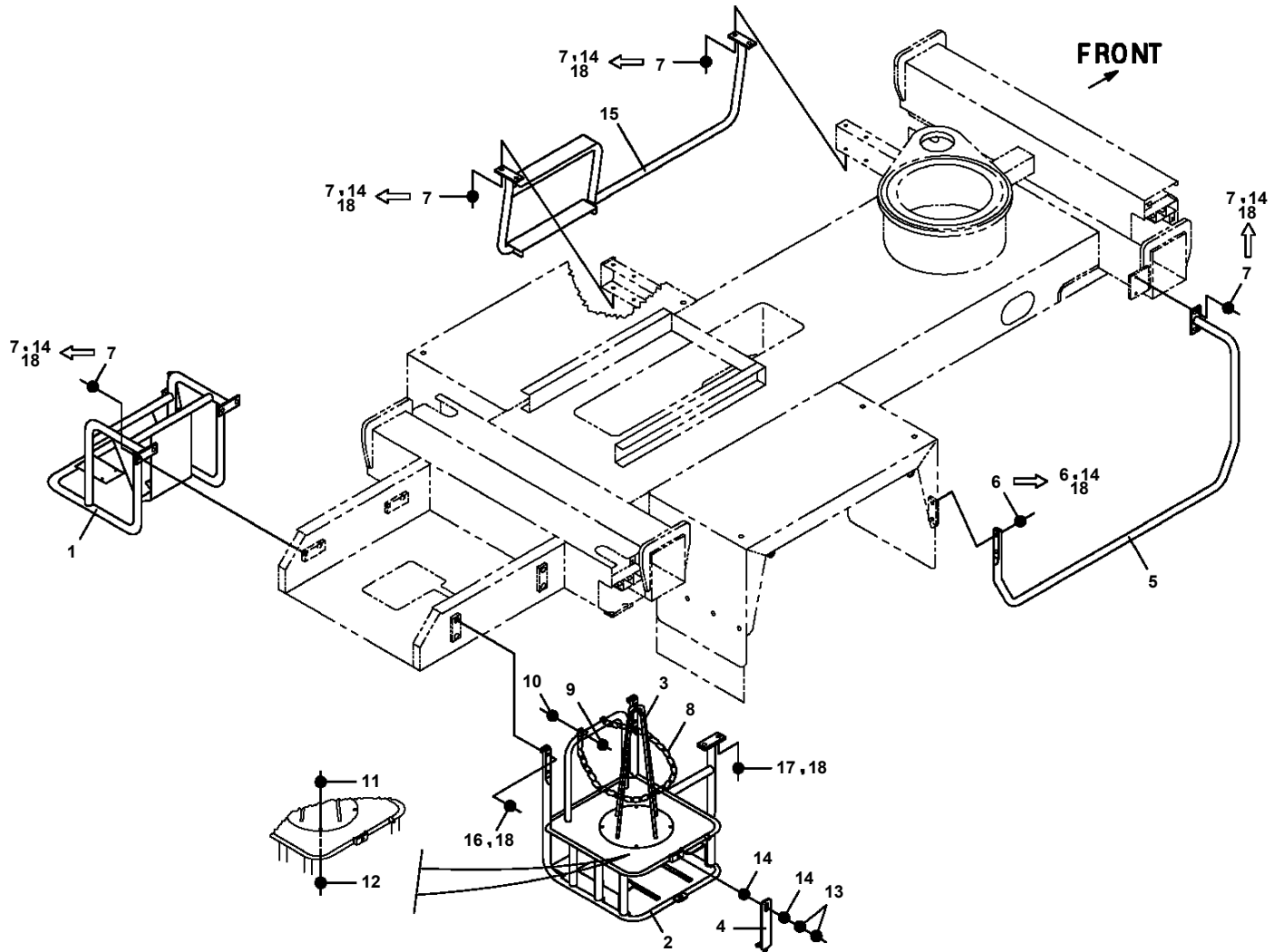
**AT-140-2 42002241900 LOWER,ISUZU TPG-NKR85AN-EE5AHY-JM
PW1010381-00 ACCESSORIES (WRENCH)**



AT-140-2 42002241900 LOWER,ISUZU TPG-NKR85AN-EE5AHY-JM
PX1130007-02 BUCKET REST



**AT-140-2 42002241900 LOWER,ISUZU TPG-NKR85AN-EE5AHY-JM
PX5650056-00 MOUNT ASSY,SIDE GUARD**



CLICK HERE TO **DOWNLOAD** THE COMPLETE MANUAL

- Thank you very much for reading the preview of the manual.
- You can download the complete manual from: www.heydownloads.com by clicking the link below



- Please note: If there is no response to CLICKING the link, please download this PDF first and then click on it.

CLICK HERE TO **DOWNLOAD** THE COMPLETE MANUAL