

**AT-121-4 43007460105 UPPER,LOWER,TOYOTA 2RG-XZU600A-TYTMX6**

**PB0000276-02 UPPER STRUCTURE SYSTEM**

**PB0000513-00 LOWER STRUCTURE SYSTEM**

**ASSEMBLY**

CLICK HERE TO **DOWNLOAD** THE COMPLETE MANUAL

- Thank you very much for reading the preview of the manual.
- You can download the complete manual from: [www.heydownloads.com](http://www.heydownloads.com) by clicking the link below



- Please note: If there is no response to CLICKING the link, please download this PDF first and then click on it.

CLICK HERE TO **DOWNLOAD** THE COMPLETE MANUAL

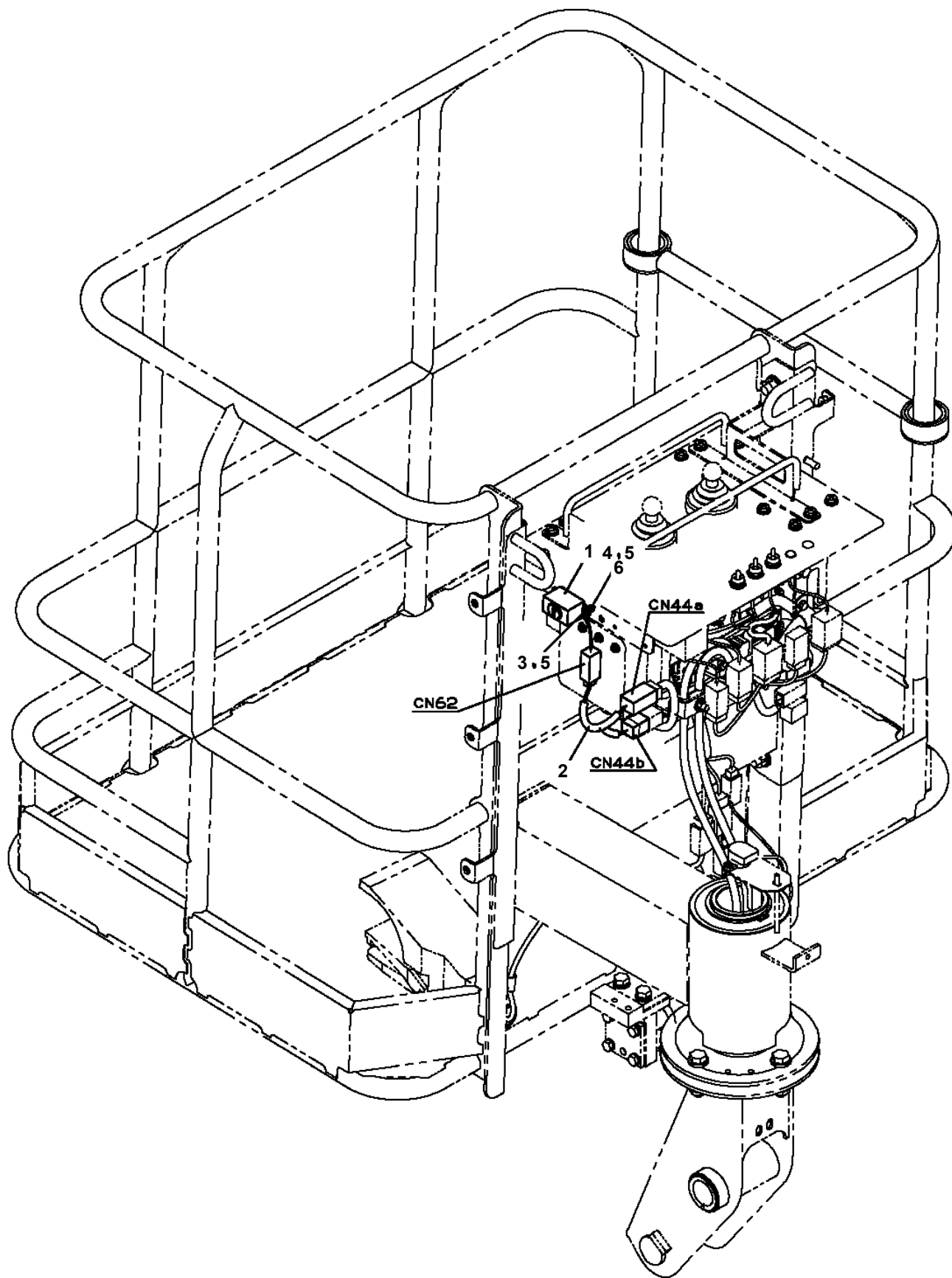
**AT-121-4 43007460105 UPPER,LOWER,TOYOTA 2RG-XZU600A-TYTMX6**

Pos No.	Parts No	Parts Name	Qty	Unit	Technical Data	Serial No (Start)	Serial No (End)	R
1	31611617590	MOTOR ASSY	1					
3	36653405040	CAP	1					
8	36652025040	O-RING	1		S55			
9	36652625030	VALVE,CHECK	1					
10	36652625040	PUMP ASSY	1					
27	36652665060	O-RING	1		P8			
29	36652665050	O-RING	1		P14			
33	19215105160	SEAL,OIL	1					
34	36652665020	RING,RETAINING	1					
50	36652620000	PUMP,HYDRAULIC (EMERGENCY)	1					

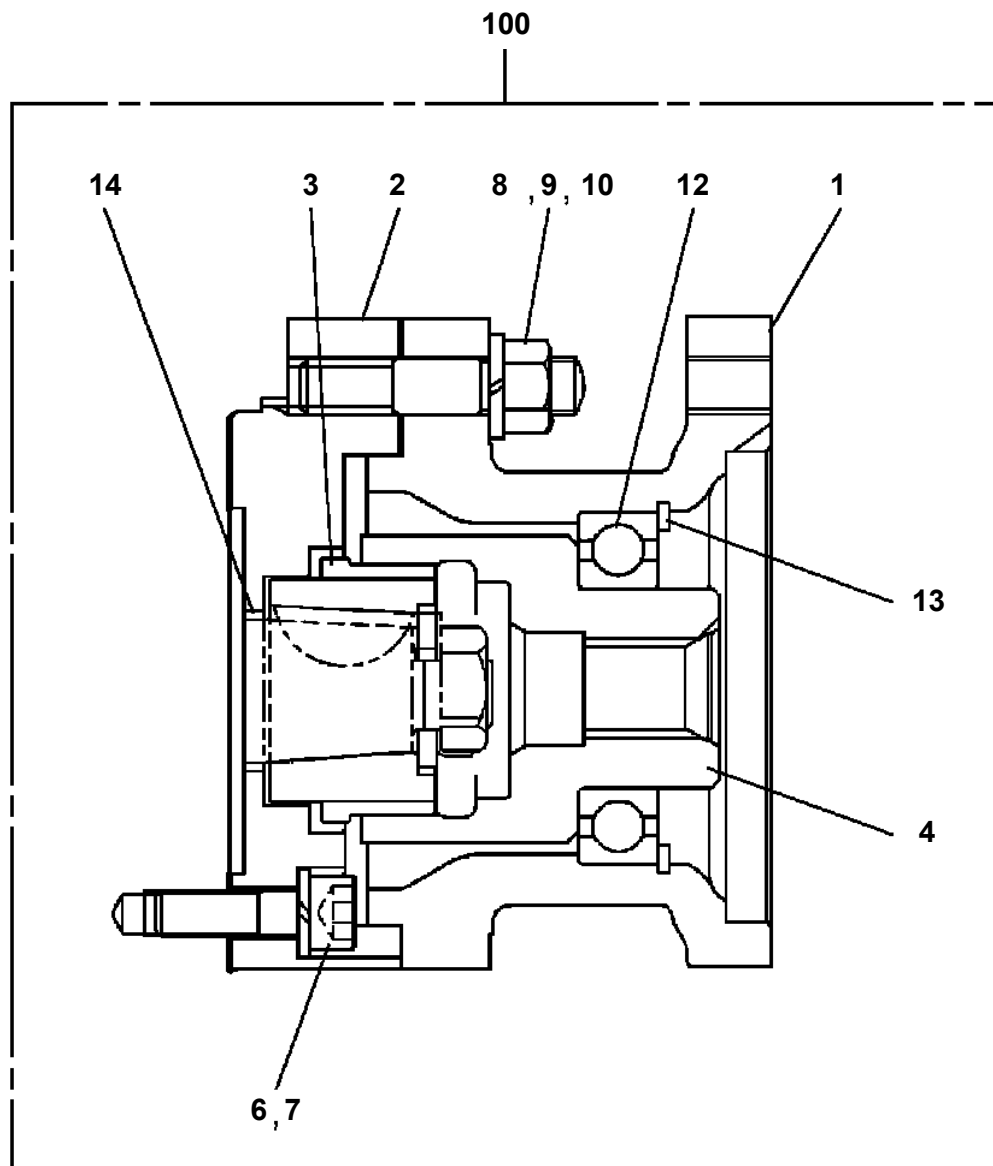
# AT-121-4 43007460105 UPPER,LOWER,TOYOTA 2RG-XZU600A-TYTMX6

Pos No.	Parts No	Parts Name	Qty	Unit	Technical Data	Serial No (Start)	Serial No (End)	Remarks
1	42203279510	BOOM,BASE	1					
2	42203272000	BOOM,2ND	1					
3	42203273000	BOOM,TOP	1					
5	42200484100	PLATE	N		T=0.8			
6	42200810020	PIN	1					
7	42202400010	SUPPORT	1					
8	42202400060	ROLLER	2					
9	42202400070	PLATE	2					
10	42203050010	PLATE	2		T=2.3			
11	42202400090	PLATE	N		T=0.5			
12	42202400120	PLATE	4		T=3.2			
13	42202400130	PLATE	N		T=0.5			
14	37000513150	PLATE	8		T=0.5			
15	42202400160	PLATE	N		T=0.8			
17	42202980200	SHEAVE ASSY	1					
18	31630302000	PLATE	N		T=1.5			
20	37000118960	PIN	2					
21	90171212040	BOLT	4					
22	37000136530	PIN	2					
23	37000155030	PIN	2					
24	37000181820	PIN	1					
25	37000187050	PIN	1					
26	37000187080	PIN	2					
27	37000401810	BEARING,PLAIN	2					
28	37000558530	PLATE	1		T=9			
29	37000573190	PLATE	N		T=1.0			
30	90302041201	WASHER,SPRING	4		12			
31	37000584990	PLATE	N		T=0.8			
32	37001925950	ROPE,WIRE (TESAC)	2		8X7.03M			
33	37001925970	ROPE,WIRE(TESAC)	2		7X3.77M			
34	37002022250	PLATE,SLIDE	2					
35	37002018260	PLATE,SLIDE	2					
36	37002020370	PLATE,SLIDE	2		T=15			
38	37002018510	PLATE,SLIDE	4					
39	37002005260	PLATE,SLIDE	4					
40	37002018970	PLATE,SLIDE	4		T=10			
41	37002018980	PLATE,SLIDE	2		T=12			
42	37002020030	PLATE,SLIDE	2		T=25			
43	37010101720	PIN	1					
44	80136363056	PIN,SPLIT	1		6.3X56			
45	80184306012	SCREW,MACHINE	4		M6X12			
46	80601110200	RING,RITAINING	6		S20			
47	80602110300	RING,RITAINING	7		R30			
48	80801003025	BEARING,PLAIN	1					
49	82455106000	NIPPLE,GREASE	4		A-M6F FE			
51	90171108020	BOLT	8		M8X20			
53	90171110025	BOLT	12		M10X25			
54	90171208030	BOLT	8		M8X30			
55	90172110020	BOLT,HEXAGON SOCKET	2		M10X20			
56	90202781200	NUT	8					
57	90238403008	NUT,CASTLE	1		M30X2			
59	90302040801	WASHER,SPRING	16		8			
60	90302041001	WASHER,SPRING	14		10			
61	90303071001	WASHER,PLAIN	8		10			
62	90303073001	WASHER,PLAIN	1		30			
63	90171110020	BOLT	8		M10X20			
64	37002022230	PLATE,SLIDE	2					
65	37000508520	PLATE	4		T=0.8			
66	90171106016	BOLT	2		M6X16			
67	90302040601	WASHER,SPRING	2		6			
68	82401800080	PLUG (FOR M8)	2					
69	42203040010	PLATE	2					
70	42203040020	PLATE	2					

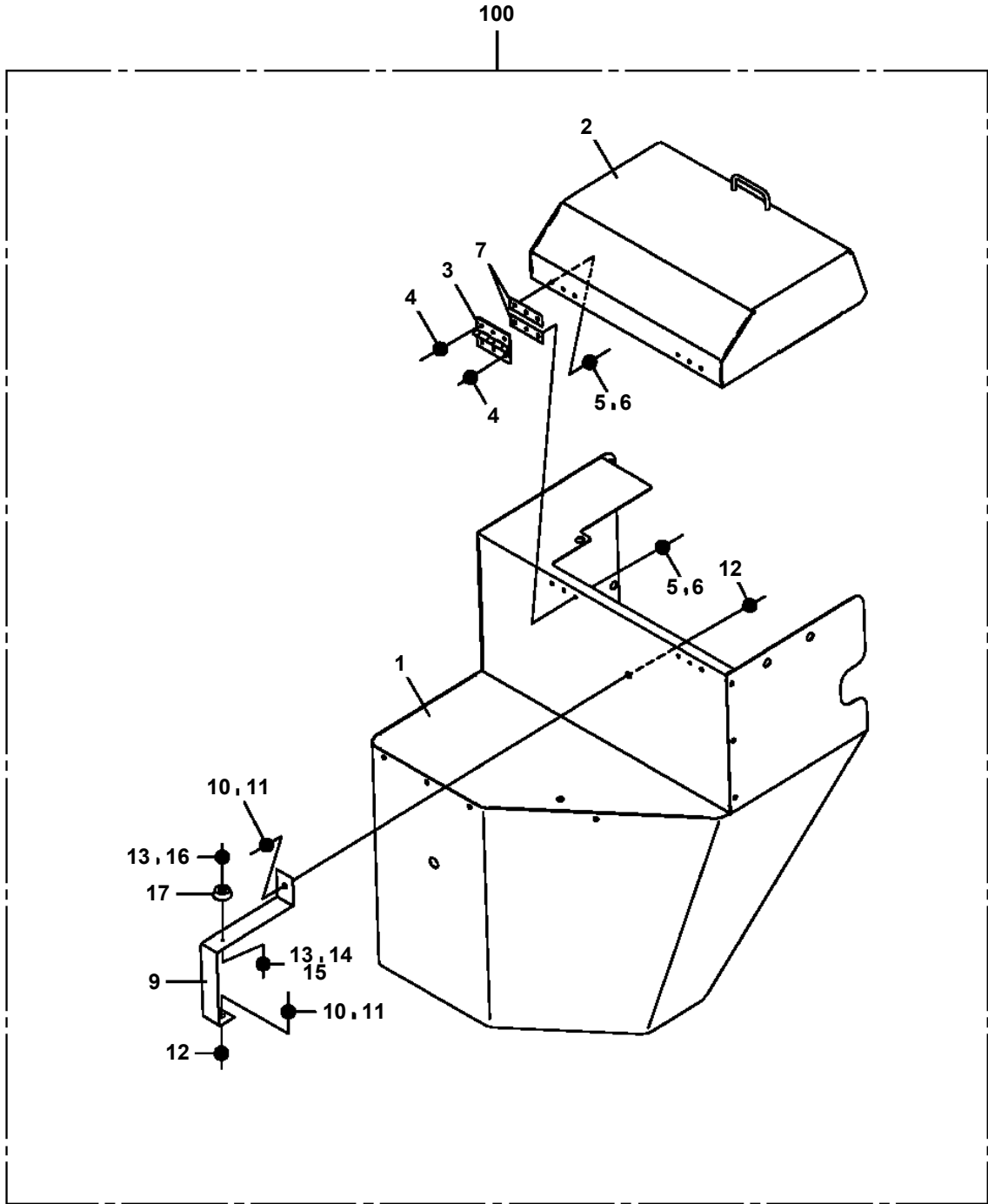
**AT-121-4 43007460105 UPPER,LOWER,TOYOTA 2RG-XZU600A-TYTMX6  
PB5390016-00 VBUZZER ASSY (BUCKET APPROACH WARNING)**



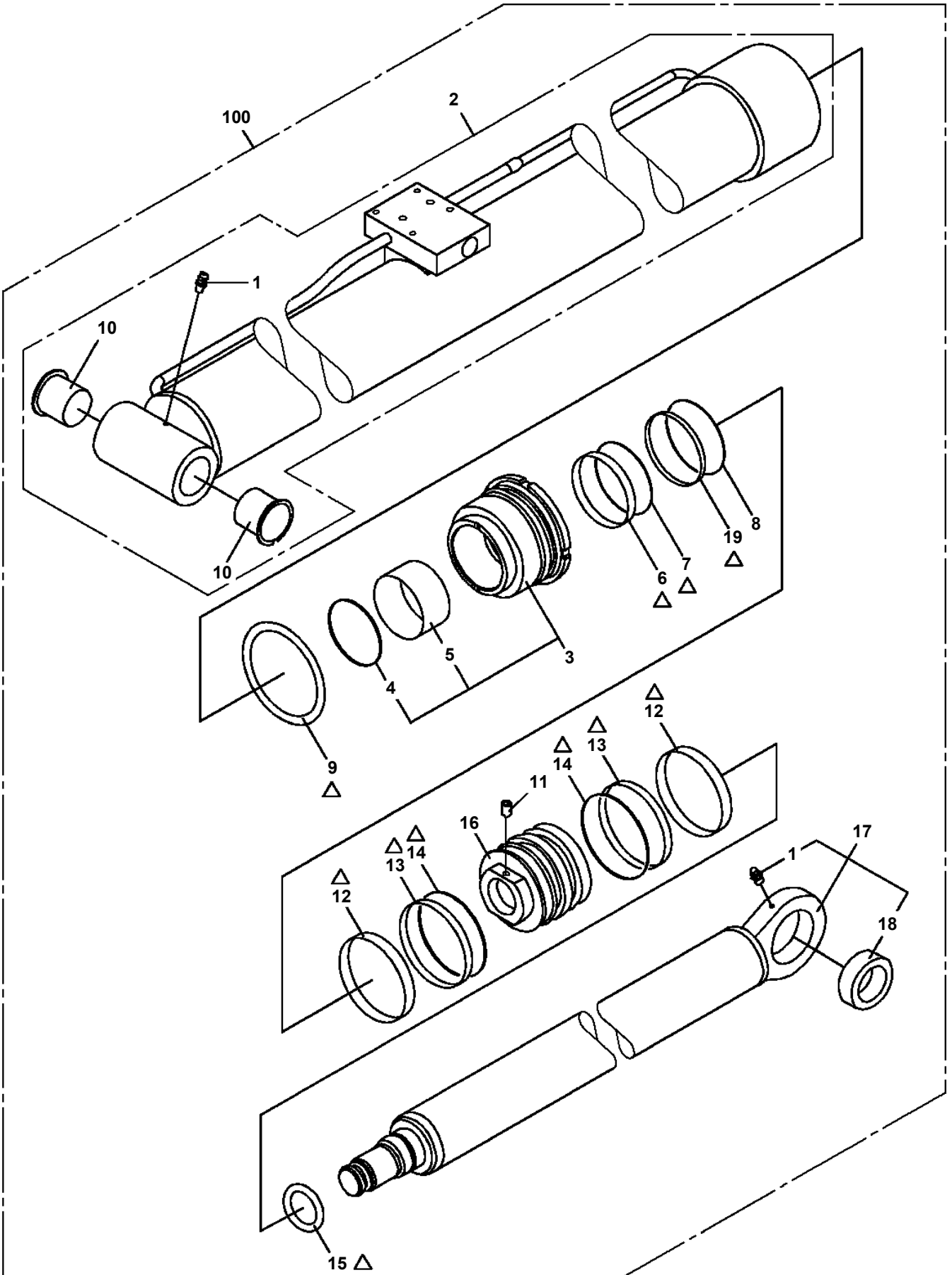
AT-121-4 43007460105 UPPER,LOWER,TOYOTA 2RG-XZU600A-TYTMX6  
PC5530007-00 COUPLING ASSY



AT-121-4 43007460105 UPPER,LOWER,TOYOTA 2RG-XZU600A-TYTMX6  
PC5570272-00 COVER ASSY

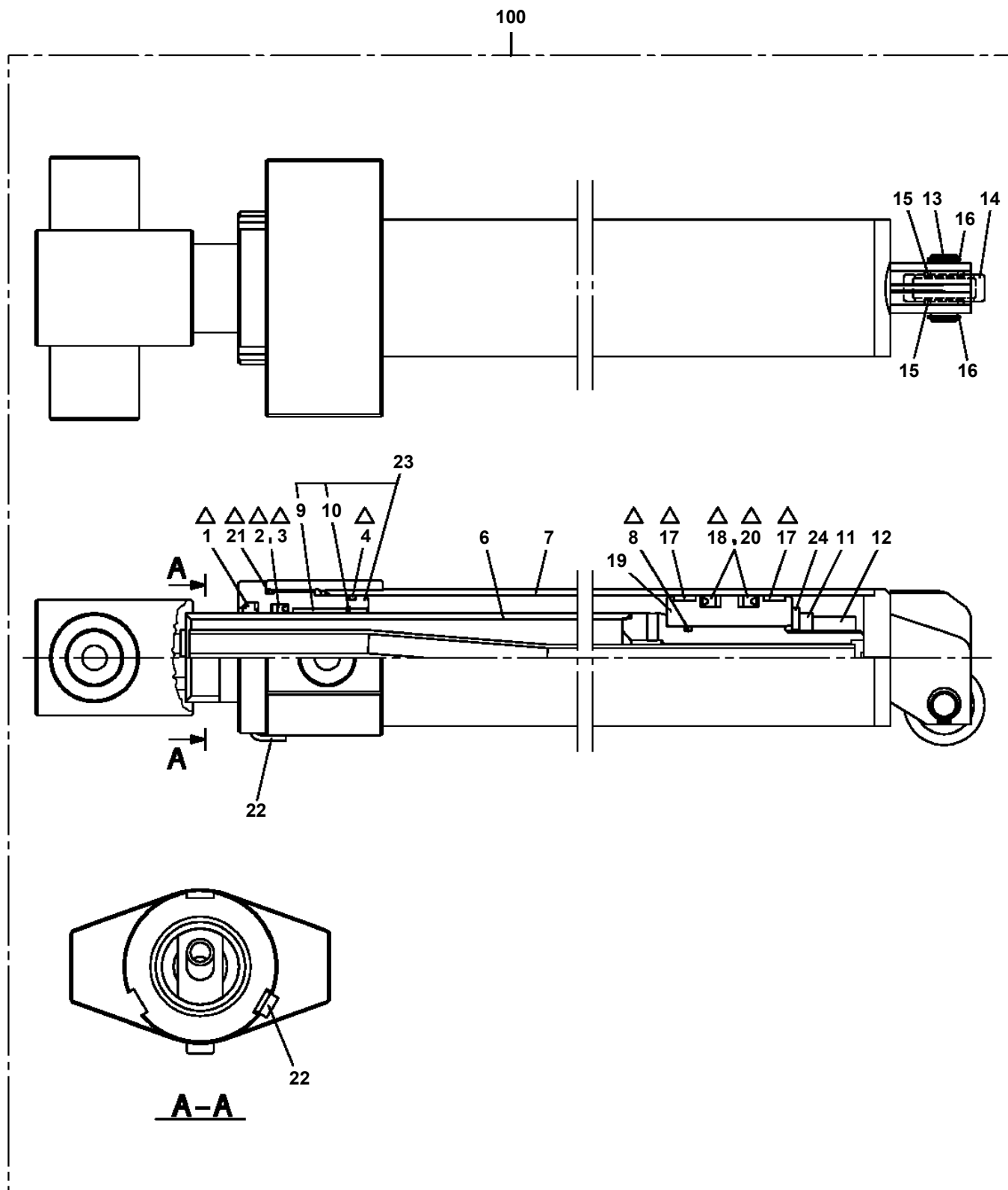


**AT-121-4 43007460105 UPPER,LOWER,TOYOTA 2RG-XZU600A-TYTMX6  
PC6370022-00 CYLINDER ASSY,DERRICK**



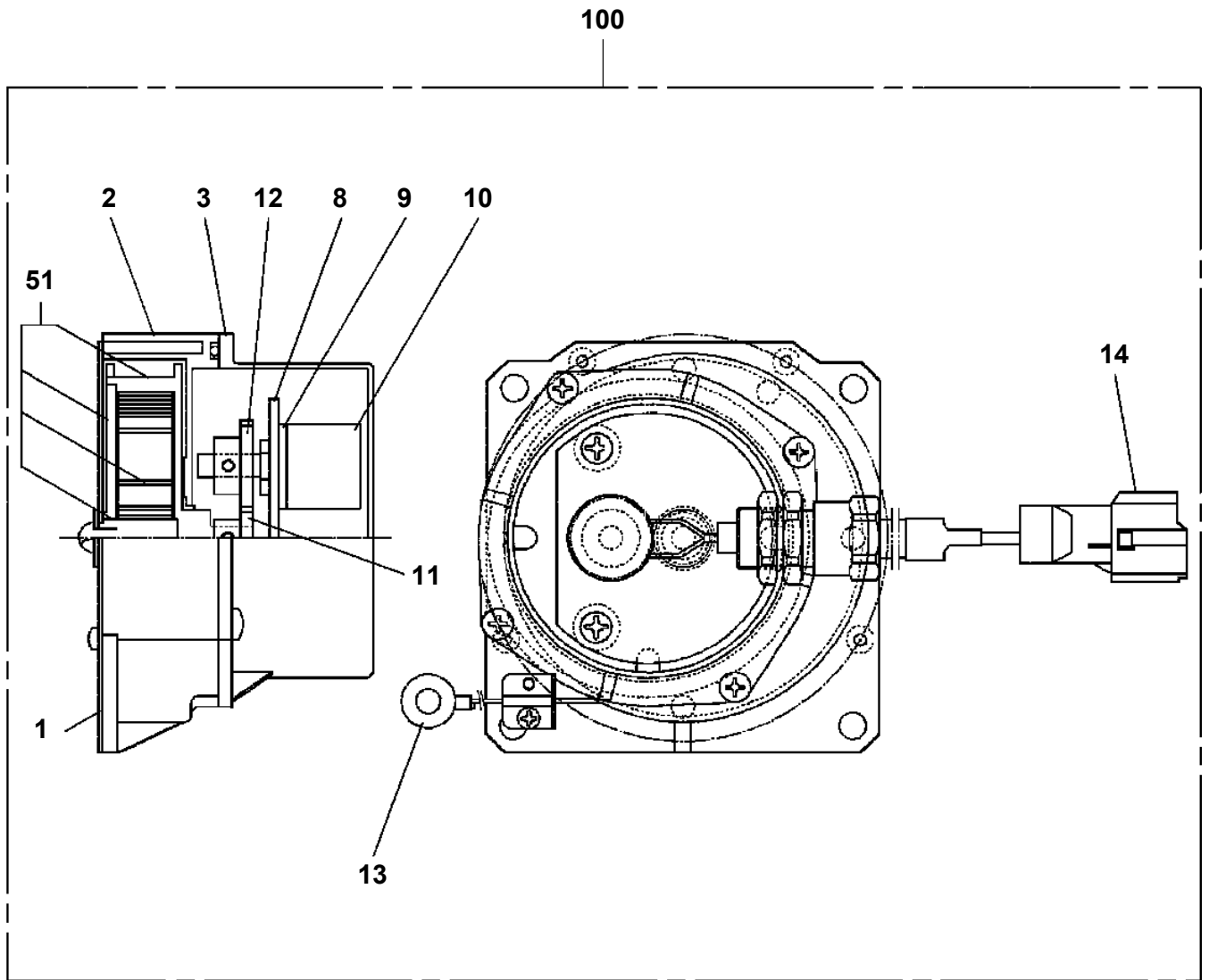
△:PACKING SET KEY NO. 50 (KEY NO.6,7,9,12,13,14,15,19)

AT-121-4 43007460105 UPPER,LOWER,TOYOTA 2RG-XZU600A-TYTMX6  
 PC6470174-00 CYLINDER ASSY,TELESCOPING



△ :PACKING SET KEY NO.80 (KEY NO.1,2,3,4,8,17,18,20,21)

AT-121-4 43007460105 UPPER,LOWER,TOYOTA 2RG-XZU600A-TYTMX6  
PD5080061-00 DETECTOR ASSY,LENGTH (BOOM)



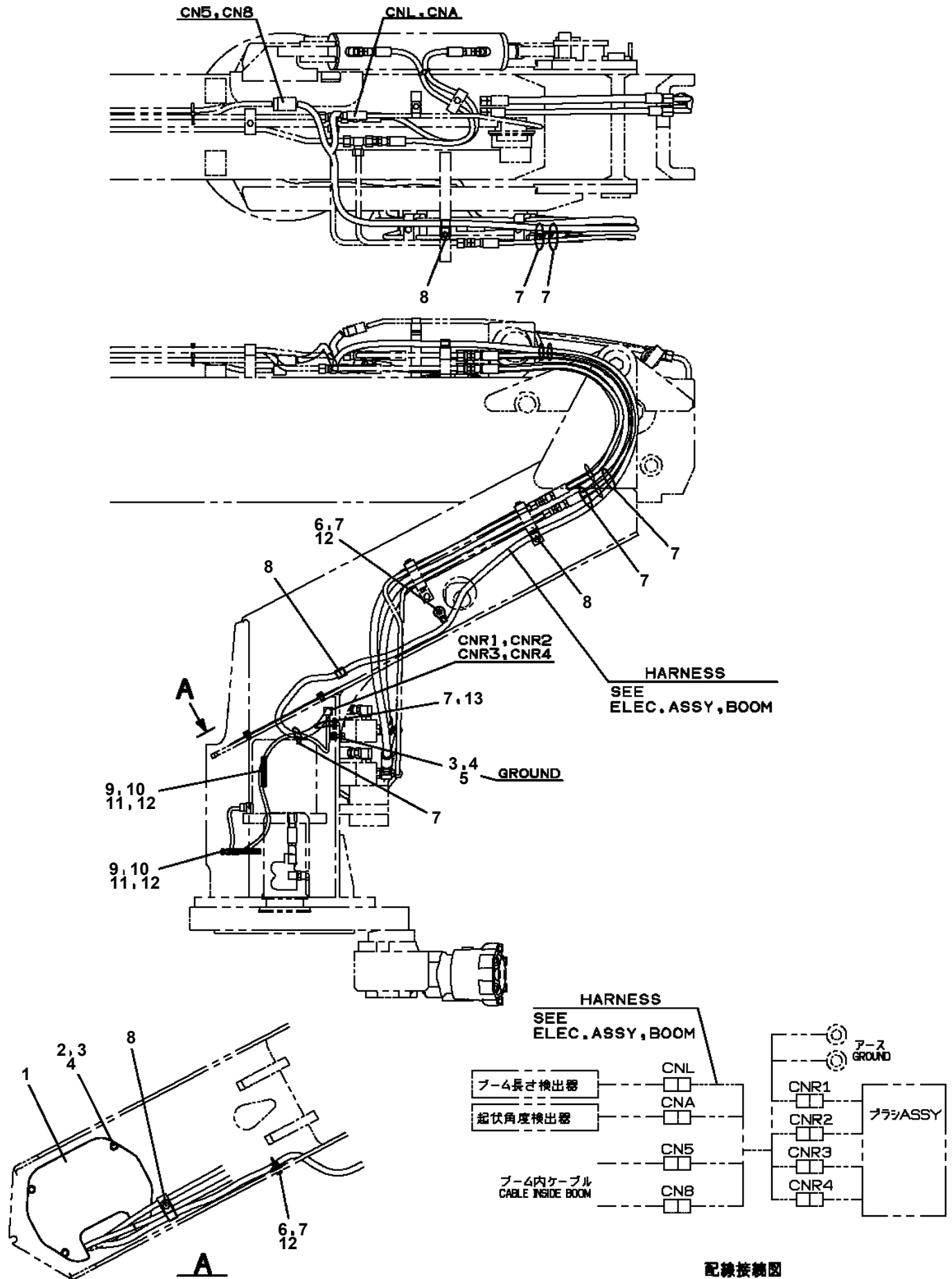
**AT-121-4 43007460105 UPPER,LOWER,TOYOTA 2RG-XZU600A-TYTMX6**

Pos No.	Parts No	Parts Name	Qty	Unit	Technical Data	Serial No (Start)	Serial No (End)	Remarks	Pages
1	42973180100	LAMP ASSY	1						
2	82182809623	DIODE	1						

**AT-121-4 43007460105 UPPER,LOWER,TOYOTA 2RG-XZU600A-TYTMX6**

Pos No.	Parts No	Parts Name	Qty	Unit	Technical Data	Serial No (Start)	Serial No (End)	F
1	(*****)	PARTS ASSY,ELECTRICITY	1					
2	(*****)	POWER SUPPLY ASSY,ELECTRICITY	1					

AT-121-4 43007460105 UPPER,LOWER,TOYOTA 2RG-XZU600A-TYTMX6  
 PE5190041-00 ELEC.ASSY,SWING FRAME



配線接続図

**AT-121-4 43007460105 UPPER,LOWER,TOYOTA 2RG-XZU600A-TYTMX6**

Pos No.	Parts No	Parts Name	Qty	Unit	Technical Data	Serial No (Start)	S
1	42461162000	FALL ARREST SYSTEM (TB-LSA-550/FUJII-DENKO)	1				

**AT-121-4 43007460105 UPPER,LOWER,TOYOTA 2RG-XZU600A-TYTMX6**

Pos No.	Parts No	Parts Name	Qty	Unit	Technical Data	Serial No (Start)	Serial No (End)	Remarks	Pa
1	42972613000	GUARD (ASSY ONLY)	1						
2	90101208012	BOLT	4		M8X12				
3	90302040801	WASHER,SPRING	4		8				
4	90303070801	WASHER,PLAIN	4		8				

**AT-121-4 43007460105 UPPER,LOWER,TOYOTA 2RG-XZU600A-TYTMX6**

Pos No.	Parts No	Parts Name	Qty	Unit	Technical Data	Serial No (Start)	Serial No (End)	Remarks	Pages
9	82100001839	FUSE	1		10A.RED				
100	42508702200	HARNESS	1						

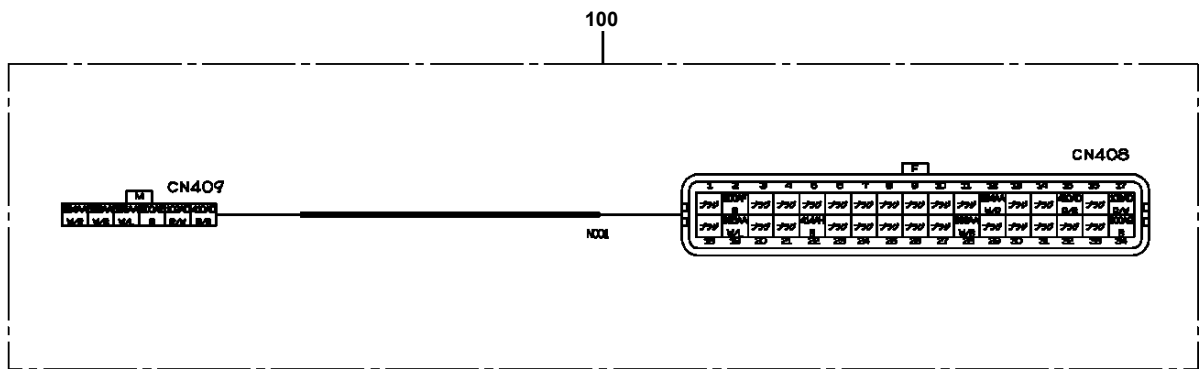
# AT-121-4 43007460105 UPPER,LOWER,TOYOTA 2RG-XZU600A-TYTMX6

Pos No.	Parts No	Parts Name	Qty	Unit	Technical Data	Serial No (Start)	Serial No (End)	Remarks	Pages
1	42332521400	HARNESS	1						

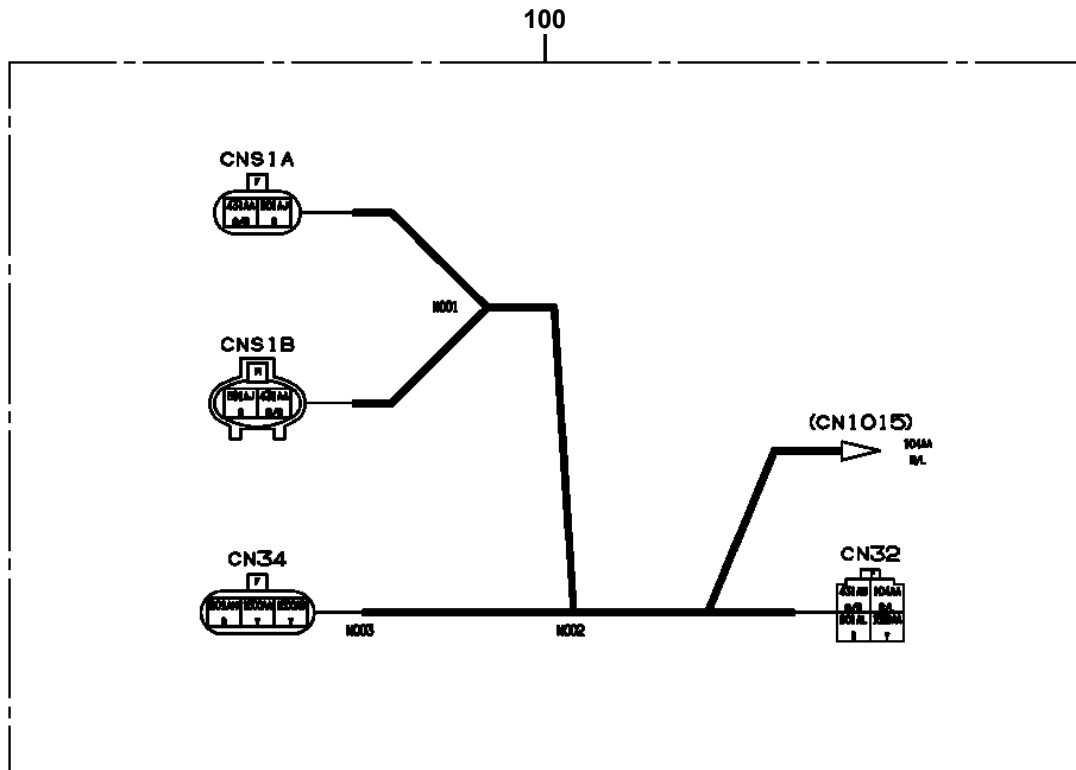
**AT-121-4 43007460105 UPPER,LOWER,TOYOTA 2RG-XZU600A-TYTMX6**

Pos No.	Parts No	Parts Name	Qty	Unit	Technical Data	Serial No (Start)	Serial No (End)	Remarks	Pages
1	82182809623	DIODE	5						
100	42333850601	HARNESS	1						

**AT-121-4 43007460105 UPPER,LOWER,TOYOTA 2RG-XZU600A-TYTMX6  
PH5034181-00 HARNESS**

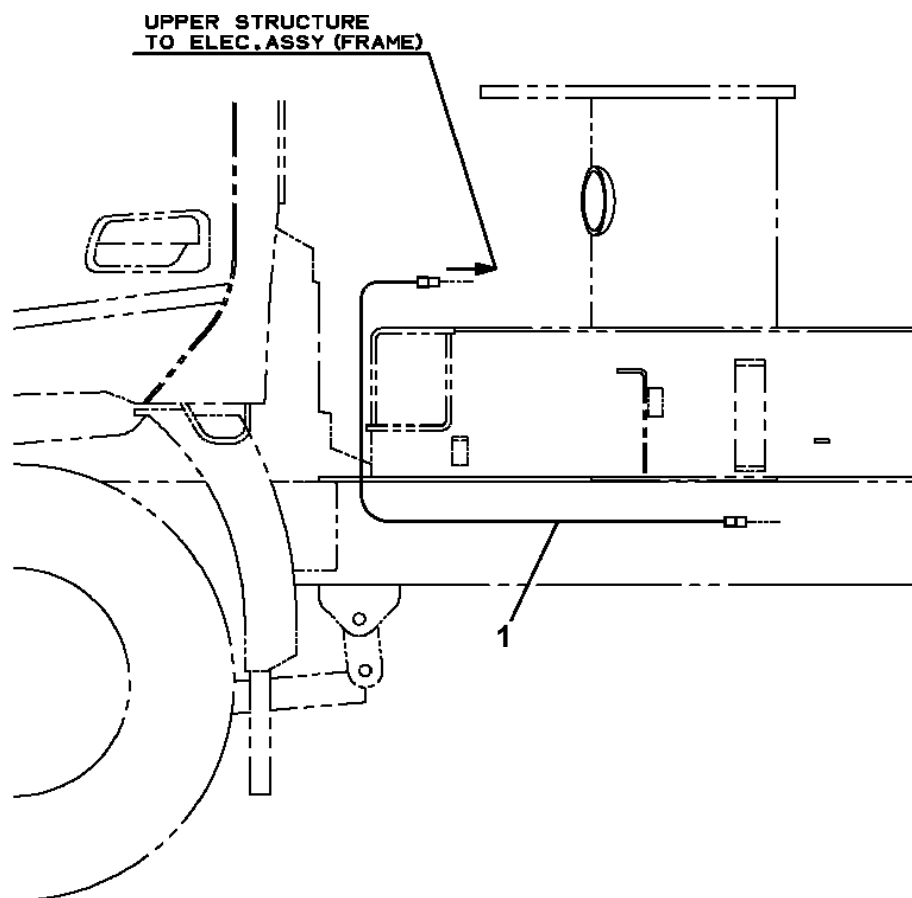


AT-121-4 43007460105 UPPER,LOWER,TOYOTA 2RG-XZU600A-TYTMX6  
PH5034474-00 HARNESS

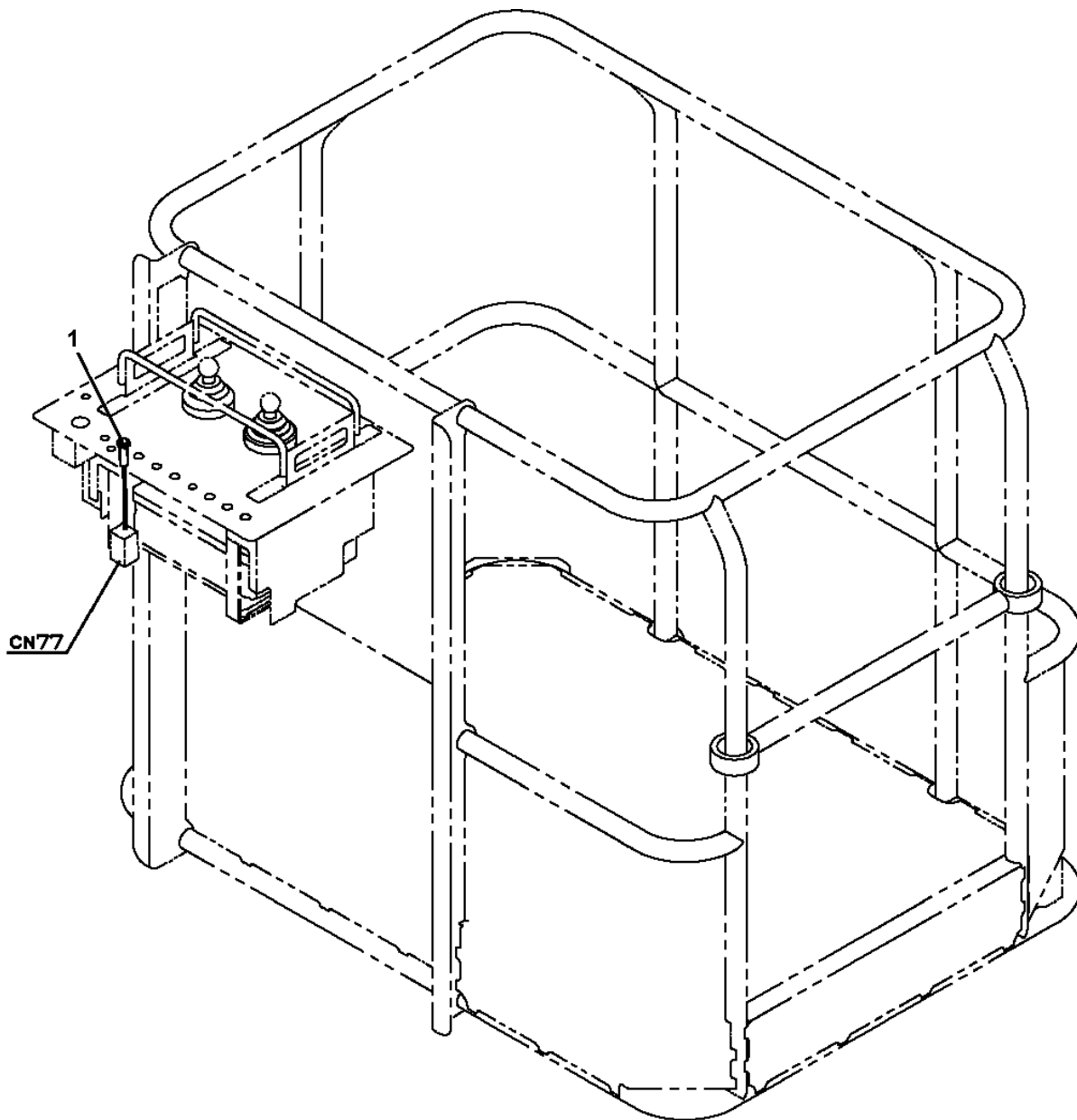




**AT-121-4 43007460105 UPPER,LOWER,TOYOTA 2RG-XZU600A-TYTMX6  
PL1031085-00 OPE.ASSY,ACCELERATOR**



AT-121-4 43007460105 UPPER,LOWER,TOYOTA 2RG-XZU600A-TYTMX6  
PL5020253-00 LAMP ASSY (EXHAUST GAS ALARM)



CLICK HERE TO **DOWNLOAD** THE COMPLETE MANUAL

- Thank you very much for reading the preview of the manual.
- You can download the complete manual from: [www.heydownloads.com](http://www.heydownloads.com) by clicking the link below



- Please note: If there is no response to CLICKING the link, please download this PDF first and then click on it.

CLICK HERE TO **DOWNLOAD** THE COMPLETE MANUAL

# AT-121-4 43007460105 UPPER,LOWER,TOYOTA 2RG-XZU600A-TYTMX6

Pos No.	Parts No	Parts Name	Qty	Unit	Technical Data	Serial No (Start)	Serial No (End)	Remarks
1	36663955100	SHAFT	1					
2	80500006206	BEARING,BALL	1					
4	91001206500	O-RING	1		1A G65			
5	36660025021	COVER (OIL SEAL)	1					
6	36660025140	SEAL,OIL	1					
7	36663485110	RING,RETAINING	1		R72			
8	36663955020	PLATE,THRUST	1					
9	36663955030	BARREL ASSY (CYLINDER)	1					
10	36663955040	PLATE (VALVE)	1					
11	36661925030	COVER (BOTTOM)	1					
12	80500006203	BEARING,BALL	1					
13	36662355110	PIN	2					
14	36663955050	O-RING	1					
15	36663955060	BOLT	6		M10X35			
16	14125151020	KEY	1					
17	36660125060	PLUG	2		PF3/8			
18	36081315130	PROTECTOR (THREAD)	2					
44	36660025100	SPRING (PLUNGER)	5					
45	14125151300	RING,RETAINING	1					
46	12645103171	SPRING (CENTER)	1					
100	36664070000	MOTOR,OIL	1					

**AT-121-4 43007460105 UPPER,LOWER,TOYOTA 2RG-XZU600A-TYTMX6**

Pos No.	Parts No	Parts Name	Qty	Unit	Technical Data	Serial No (Start)	Serial M
1	42590591020	PLATE,NAME (VEHICLE BATTERY MONITOR)	1				

**AT-121-4 43007460105 UPPER,LOWER,TOYOTA 2RG-XZU600A-TYTMX6**

Pos No.	Parts No	Parts Name	Qty	Unit	Technical Data	Serial No (Start)	Serial No (End)	Remarks	Pages
1	42592662010	PLATE,NAME	1						
2	42475910010	PLATE,NAME	2						
3	42592662020	PLATE,NAME	1				HJ5298		

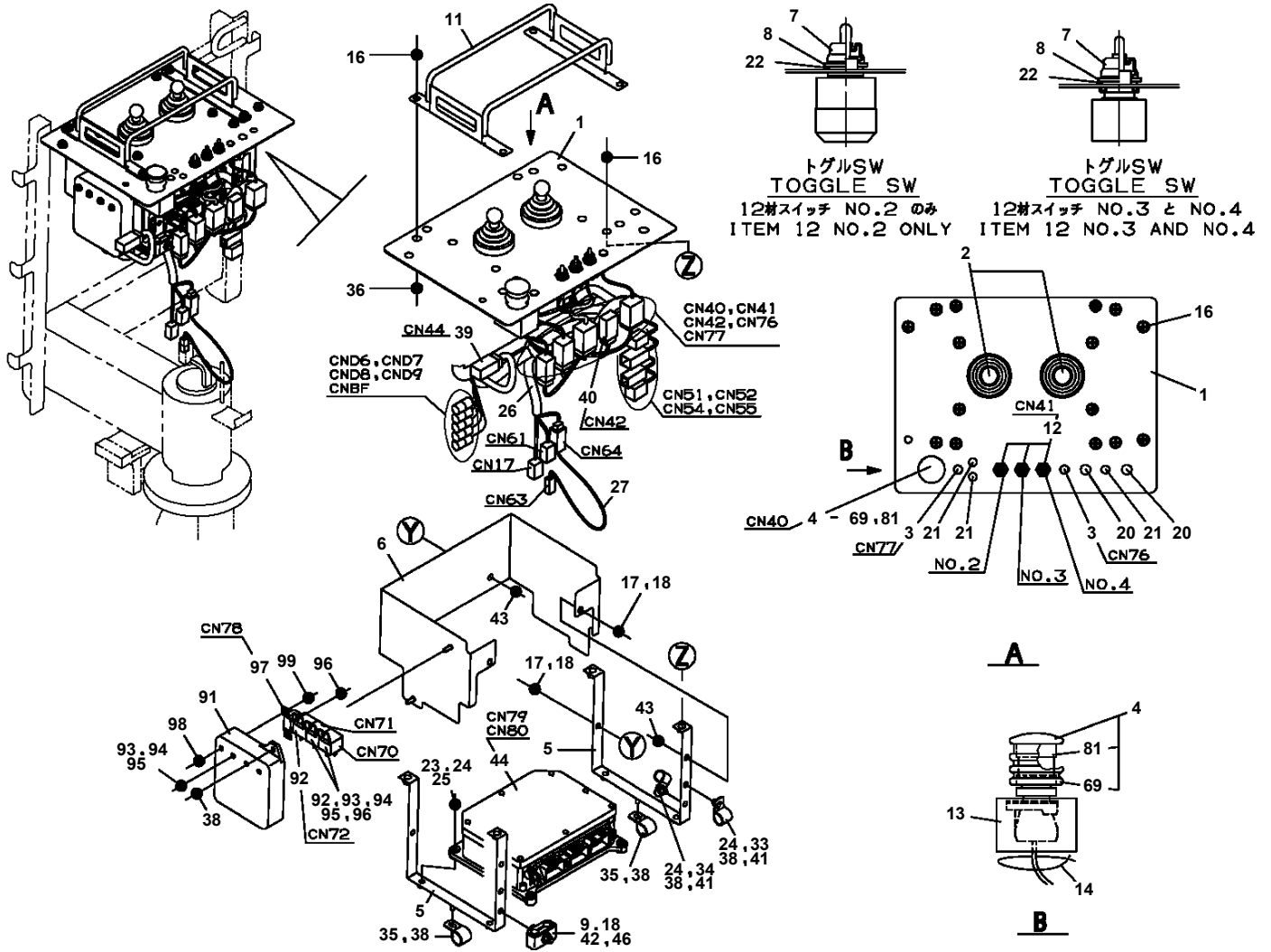
**AT-121-4 43007460105 UPPER,LOWER,TOYOTA 2RG-XZU600A-TYTMX6**

Pos No.	Parts No	Parts Name	Qty	Unit	Technical Data	Serial No (Start)	Serial No (End)	Remarks	Pa
1	37002212160	PLATE,NAME (100KG)	1						
2	42394581030	PLATE (NON-SLIP)	3						

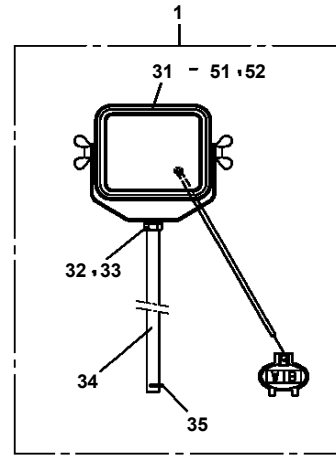
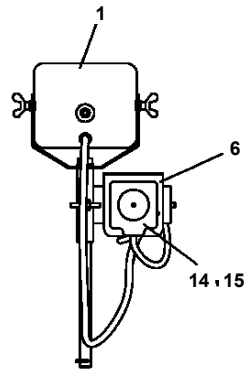
# AT-121-4 43007460105 UPPER,LOWER,TOYOTA 2RG-XZU600A-TYTMX6

Pos No.	Parts No	Parts Name	Qty	Unit	Technical Data	Serial No (Start)	Serial No (End)	Remarks	Pages
1	42592663180	PLATE,NAME	1						

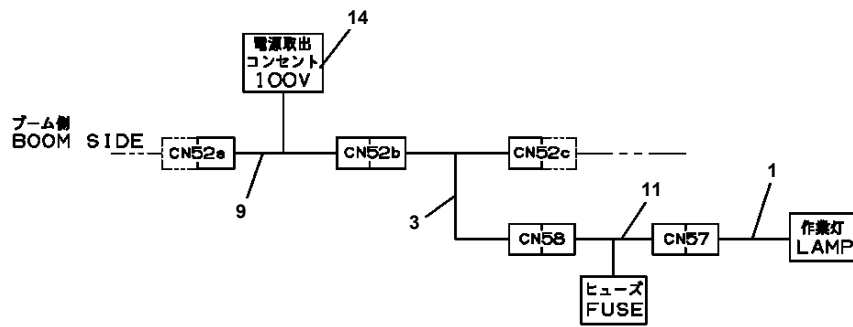
**AT-121-4 43007460105 UPPER,LOWER,TOYOTA 2RG-XZU600A-TYTMX6  
PO5030002-01 OPE.ASSY,BASKET**



AT-121-4 43007460105 UPPER,LOWER,TOYOTA 2RG-XZU600A-TYTMX6  
 PP5100213-00 PARTS ASSY,ELECTRICITY



**A**  
 FRONTの時組み合わせ同じ  
 WHEN FRONT SAME COMBINATION

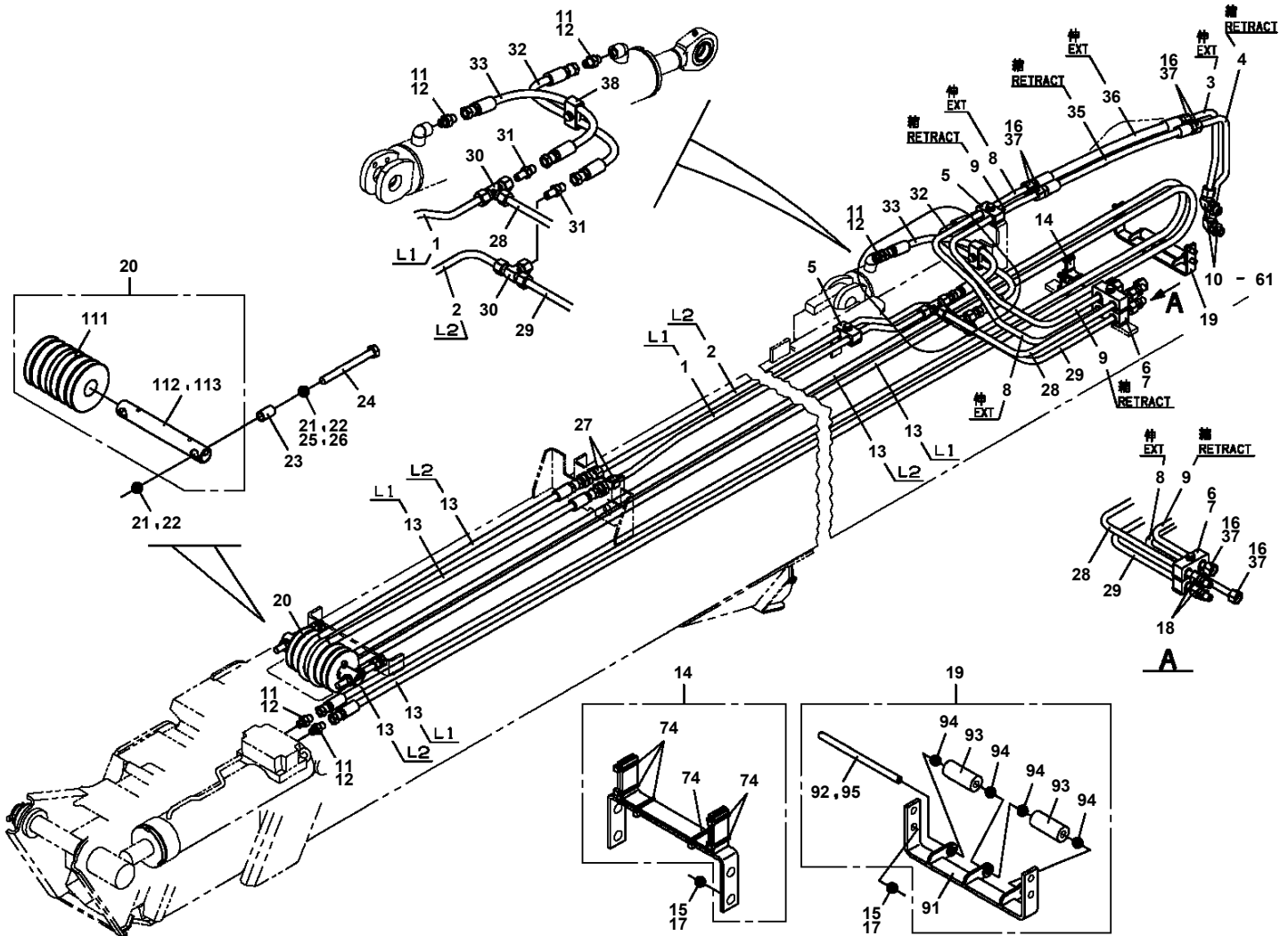


接続詳細  
DETAIL OF CONNECTION

# AT-121-4 43007460105 UPPER,LOWER,TOYOTA 2RG-XZU600A-TYTMX6

Pos No.	Parts No	Parts Name	Qty	Unit	Technical Data	Serial No (Start)	Serial No (End)	Remarks
1	42510232000	LAMP ASSY (SQUARE TYPE)	1					
2	42514791100	SUPPORT	1					
3	42501070010	HARNESS	1					
4	90813108016	BOLT,WING	1		M8X16			
7	91850700101	CLAMP	2		L=208			
8	91810130250	FASTENER	5					
10	82100002007	CLAMP	1		WRC10			
11	42508702200	HARNESS	1					
12	90201200800	NUT	3		M8			
13	90302040801	WASHER,SPRING	3		8			
14	42507740100	HARNESS	1					

**AT-121-4 43007460105 UPPER,LOWER,TOYOTA 2RG-XZU600A-TYTMX6  
PP6060032-00 PIPING ASSY,BOOM**



# AT-121-4 43007460105 UPPER,LOWER,TOYOTA 2RG-XZU600A-TYTMX6

Pos No.	Parts No	Parts Name	Qty	Unit	Technical Data	Serial No (Start)	Serial No (End)	Remarks
1	80430720400	JOINT (WITH O-RING)	1		L,G1/4-G1/4			
2	80481102030	JOINT	1		L G1/4-G3/8			
3	80320010050	FITTING	2		KUD10-020N			
4	90101208065	BOLT	2		M8X65			
5	90302040801	WASHER,SPRING	11		8			
9	80481302025	JOINT	1		L,G1/4-G1/4			
10	91002801100	O-RING	2		1B P11			
11	91810130240	FASTENER	3					
12	37000300730	SLEEVE	4		18-10			
14	37000601120	CLAMP	4					
15	37000601420	CUSHION	8		18X2			
16	90280200800	NUT,FLANGE	2		M8			
17	90101208075	BOLT	2		M8X75			
19	37002454530	HOSE	1		L=375			
20	37002408410	HOSE	1		L=475			
21	37002458400	HOSE	1		L=380			
22	42347400300	SUPPORT	2					
23	42347400400	SUPPORT	2					
24	42347400500	SUPPORT	1					
25	90101208020	BOLT	6		M8X20			
26	80491302020	JOINT (WITH O-RING)	3					
28	37002450200	HOSE	2		L=750			
29	37002469170	HOSE	1		L=1450			
30	37002443780	HOSE	1		L=1400 TO 1380			
32	37002415820	HOSE	2		L=1730			
33	82100001803	TUBE,CORRUGATE	N		13			
34	81408000130	PIPE,STEEL	1	M	10X1.8T			
35	81408000130	PIPE,STEEL	1	M	10X1.8T			
37	81408000130	PIPE,STEEL	2	M	10X1.8T			
38	90101208030	BOLT	2		M8X30			
39	37000601410	CUSHION	2					
40	37000601110	CLAMP	1					
41	90101208035	BOLT	1		M8X35			
42	81408000130	PIPE,STEEL	1	M	10X1.8T			
43	37000908730	JOINT (WITH O-RING)	1		L,G3/8-G1/4			
61	36636340001	VALVE ASSY,SELECTOR	2					
62	80430720600	JOINT (WITH O-RING)	3		L,G3/8-G3/8			
63	37000925950	JOINT	2		S,G1/4-G1/4			
64	80305131002	FITTING,TEE	2		KTNO010-020N			
65	91002801100	O-RING	16		1B P11			
66	80316070040	PLUG	2		PF1/4			
83	80481103020	JOINT	1		PF3/8-PF1/4			
87	91002801400	O-RING	5		1B P14			
101	80302090101	FITTING	2		KCO10-020N			
103	36672630000	FILTER (WITH O-RING)	3					
104	36606970000	VALVE ASSY,RELIEF	1					
105	80430720400	JOINT (WITH O-RING)	1		L,G1/4-G1/4			

**AT-121-4 43007460105 UPPER,LOWER,TOYOTA 2RG-XZU600A-TYTMX6**

Pos No.	Parts No	Parts Name	Qty	Unit	Technical Data	Serial No (Start)	Serial No (End)
1	82105900050	SWITCH,TOGGLE	1				
2	82105220193	SWITCH,TOGGLE	1				
3	82105900010	SWITCH,TOGGLE	1				
50	42333310400	SWITCH ASSY (WITH HARNESS,3 SW)	1				

# AT-121-4 43007460105 UPPER,LOWER,TOYOTA 2RG-XZU600A-TYTMX6

Pos No.	Parts No	Parts Name	Qty	Unit	Technical Data	Serial No (Start)	Serial No (End)
1	42655711101	PANEL	1				
2	42655332100	SWITCH ASSY (WITH HARNESS,5 SW)	1				
3	42973180100	LAMP ASSY	5				
4	42651591300	SWITCH ASSY (WITH HARNESS,3 SW)	1				
5	42651593400	SWITCH ASSY (WITH HARNESS,1 SW)	1				
6	42433932200	SWITCH ASSY (WITH HARNESS,1 SW)	1				
7	42433932100	SWITCH ASSY (WITH HARNESS,1 SW)	1				
8	42332062500	SWITCH ASSY (WITH HARNESS,1 SW)	1				
9	42332521300	SWITCH ASSY (WITH HARNESS)	1				
10	82154201010	METER,HOUR	1				
11	80192483010	SCREW,MACHINE	2		M3X10		
12	90201200300	NUT	2		M3		
13	82467300105	PLUG	2				
14	82467300114	PLUG	1				
15	82467300101	PLUG	2				
16	82114101040	CONNECTOR (4P,MALE)	1				
17	82121102040	HOLDER (4P,BOTH)	1				
18	82114101080	CONNECTOR	1				
19	82121102080	HOLDER (8P,BOTH)	1				
20	82121101009	PLUG (GREEN)	2				
49	42355641010	COVER	1				
61	42355641210	BUTTON	1				
100	42655711001	SWITCH ASSY	1				

# AT-121-4 43007460105 UPPER,LOWER,TOYOTA 2RG-XZU600A-TYTMX6

Pos No.	Parts No	Parts Name	Qty	Unit	Technical Data	Serial No (Start)	Serial No (End)	Rem
2	36742175010	VALVE,SOLENOID	1					
3	36740995020	VALVE,RELIEF	1					
4	36742175020	VALVE,SOLENOID	4					
5	36648435040	BOLT,HEXAGON SOCKET	4		M5X90			
6	36648435050	BOLT,HEXAGON SOCKET	16		M5X50			
9	36649725030	PLUG	2					
10	36649725040	O-RING	2					
11	36649725050	PLUG	1					
12	36649725060	O-RING	1					
100	36742170000	VALVE ASSY (JACK CONTROL)	1					

**AT-121-4 43007460105 UPPER,LOWER,TOYOTA 2RG-XZU600A-TYTMX6**

Pos No.	Parts No	Parts Name	Qty	Unit	Technical Data	Serial No (Start)	Serial No (End)
1	(*****)	ACCESSORIES	1				
2	(*****)	ACCESSORIES ASSY (WITHOUT BLOCK,RUBBER)	1				

**AT-121-4 43007460105 UPPER,LOWER,TOYOTA 2RG-XZU600A-TYTMX6**

Pos No.	Parts No	Parts Name	Qty	Unit	Technical Data	Serial No (Start)	Serial No (End)	Remarks	Pages
1	42280420101	WEIGHT	1						
2	90171112030	BOLT	4		M12X30				
3	90302041201	WASHER,SPRING	4		12				
4	82401800080	PLUG (FOR M8)	1						

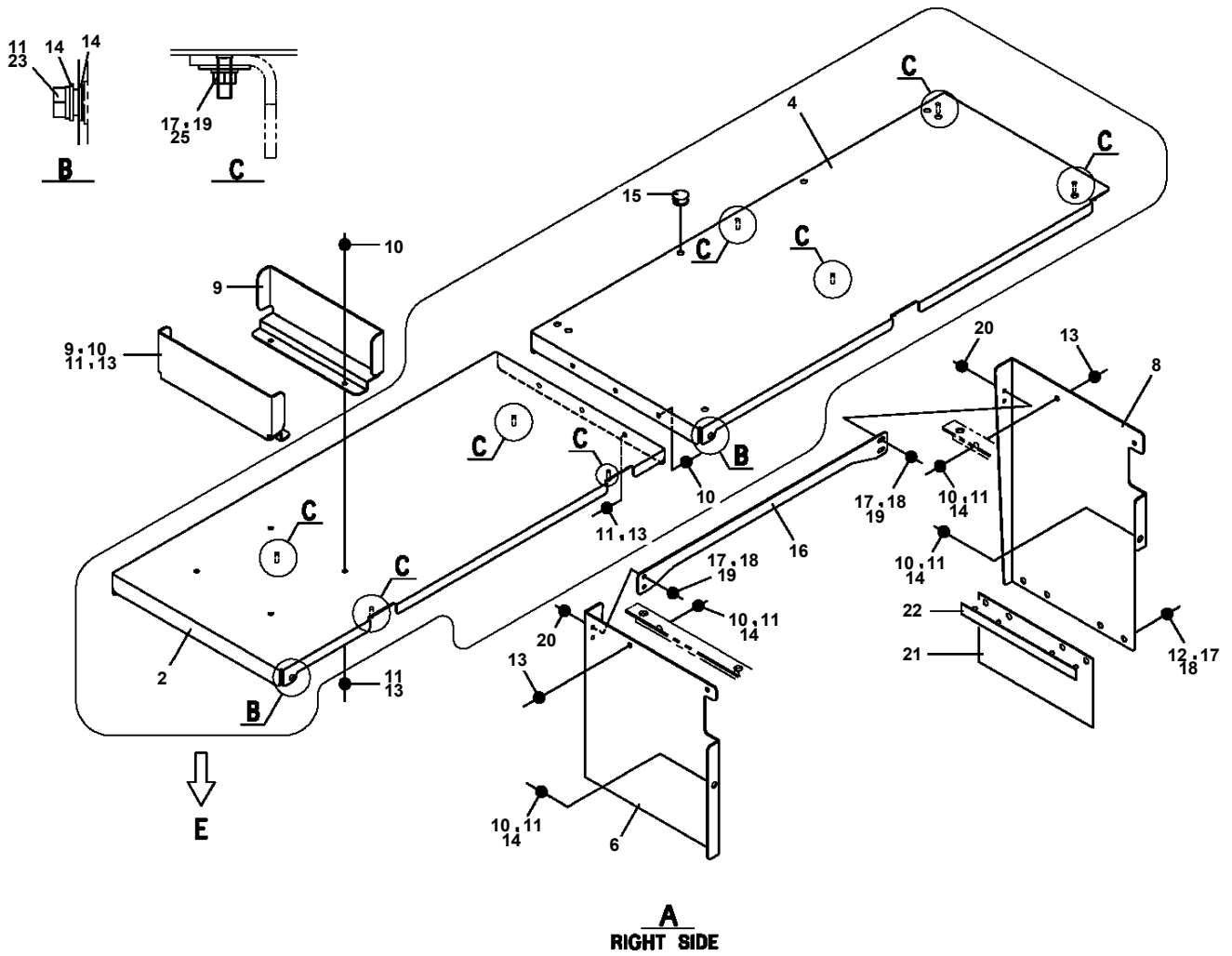
**AT-121-4 43007460105 UPPER,LOWER,TOYOTA 2RG-XZU600A-TYTMX6**

Pos No.	Parts No	Parts Name	Qty	Unit	Technical Data	Serial No (Start)	Serial No (End)	Remarks	Pages
1	42974771400	SUPPORT	2						
2	42974771500	SUPPORT	2						
3	90101210025	BOLT	18		M10X25				
4	90302041001	WASHER,SPRING	18		10				
5	37000505950	PLATE	14		T=3.2				
6	90201201000	NUT	18		M10				
7	90303071001	WASHER,PLAIN	14		10				

**AT-121-4 43007460105 UPPER,LOWER,TOYOTA 2RG-XZU600A-TYTMX6**

Pos No.	Parts No	Parts Name	Qty	Unit	Technical Data	Serial No (Start)	Serial No (End)	Remarks	Pages
1	42974904100	SUPPORT	1						
11	42875921020	RUBBER	1		T=3				

**AT-121-4 43007460105 UPPER,LOWER,TOYOTA 2RG-XZU600A-TYTMX6  
PX5280091-02 MOUNT ASSY,DECK**



# AT-121-4 43007460105 UPPER,LOWER,TOYOTA 2RG-XZU600A-TYTMX6

Pos No.	Parts No	Parts Name	Qty	Unit	Technical Data	Serial No (Start)	Serial No (End)	Remarks	Pages
1	42972851000	DECK	1						
2	42698920100	SUPPORT	4						
3	90303071001	WASHER,PLAIN	8		10				
4	90302041001	WASHER,SPRING	8		10				
5	90201201000	NUT	8		M10				
6	90190208025	BOLT	8		M8X25				
7	90302040801	WASHER,SPRING	8		8				
8	37000506550	PLATE	8		T=1.6				
9	37000563420	PLATE	4		T=3				
10	90101210025	BOLT	8		M10X25				

**AT-121-4 43007460105 UPPER,LOWER,TOYOTA 2RG-XZU600A-TYTMX6**

Pos No.	Parts No	Parts Name	Qty	Unit	Technical Data	Serial No (Start)	Serial No (End)	Remarks	Pages
1	42443970200	STEP	1						
2	90101208014	BOLT	4		M8X14				
3	90302040801	WASHER,SPRING	4		8				
4	90303070801	WASHER,PLAIN	4		8				
5	90201200800	NUT	4		M8				
6	42396552010	PLATE (NON-SLIP)	2						

# AT-121-4 43007460105 UPPER,LOWER,TOYOTA 2RG-XZU600A-TYTMX6

Pos No.	Parts No	Parts Name	Qty	Unit	Technical Data	Serial No (Start)	Serial No (End)	Remarks	Pages
1	36103530000	TANK	1						000155
2	42882880102	SUPPORT	1						
3	42882880201	SUPPORT	1				HJ5298		
4	31660520100	BAND	1						
5	31660530200	CUSHION	1						
6	90101210025	BOLT	6		M10X25				
7	90302041001	WASHER,SPRING	6		10				
8	90201201000	NUT	2		M10				
10	42882880202	SUPPORT	1			HJ5299			
34	82400000204	GROMMET	1		L=320				

**AT-121-4 43007460105 UPPER,LOWER,TOYOTA 2RG-XZU600A-TYTMX6**

Pos No.	Parts No	Parts Name	Qty	Unit	Technical Data	Serial No (Start)	Serial No (End)	Remarks	Pages
1	42974900100	SUPPORT	2						
2	42974900200	SUPPORT	1						
3	42974901000	BOX,TOOL	1						
4	90101210025	BOLT	4		M10X25				
5	90302041001	WASHER,SPRING	4		10				
6	37000505950	PLATE	4		T=3.2				
7	37000547660	PLATE	2		T=2.3				
8	90302040801	WASHER,SPRING	2		8				
9	90201200800	NUT	2		M8				
10	82401800080	PLUG (FOR M8)	4						

AT-121-4 43007460105 UPPER,LOWER,TOYOTA 2RG-XZU600A-TYTMX6  
 PY1001958-02 OPTION UNIT,1 (UPPER)

符号	日本語名称	英語名称	備考
1	ガード ASSY	GUARD ASSY	バスケット周り 手廻ガード (後方格納用)
2	スイッチASSY	SWITCH ASSY	干渉制御解除スイッチ
3	スイッチASSY	SWITCH ASSY	アイドリングストップ
4	ランプ ASSY	LAMP ASSY	車両バッテリー電圧低下警報ランプ
5	ブザー ASSY	BUZZER ASSY	警報ブザー取付
6	ブザー ASSY	BUZZER ASSY	排ガス警報ブザー+表示灯
7	ブザー ASSY	BUZZER ASSY	車両バッテリー電圧低下警報ブザー+表示灯
8	ハイセンASSY (エレキ)	ELEC. ASSY	100V電源取出+バスケット部作業灯 (ハロゲン)
9	ハイセンASSY (エレキ)	ELEC. ASSY	100V電源取出+バスケット部作業灯 (LED)
10	パーツASSY,エレキ	PARTS ASSY,ELECTRICITY	バスケット部作業灯 (ハロゲン)
11	パーツASSY,エレキ	PARTS ASSY,ELECTRICITY	バスケット部作業灯 (LED)
12	ハイセンASSY (エレキ)	ELEC. ASSY	100V電源取出
13	カバー ASSY	COVER ASSY	差回合部ホースカバー
14	コントロールASSY,アウトリガ	CONTROL ASSY,OUTRIGGER	ジャッキ自動水平
15	ランプ ASSY	LAMP ASSY	下部アウトリガ操作部照明
16	カバー ASSY	COVER ASSY	フレームやぐら部カバー (後方格納用)
17	マウントASSY,ステップ	MOUNT ASSY,STEP	ブーム上面ステップ
18	カバー ASSY	COVER ASSY	サブフレーム上面 配線カバー
19	フロートASSY	FLOAT ASSY	ジャッキパッド (後方格納用)
20	ランプ ASSY	LAMP ASSY	黄色マーカランプ 前後4ヶ所仕様
21	カイツウASSY	MODIFICATION ASSY	黄色マーカランプLEDバルブ交換改造図
22	マウントASSY,カバー	MOUNT ASSY,COVER	バスケット部追加カバー (後方格納用)
23	マウントASSY,ホイスアラーム	MOUNT ASSY,VOICE ALARM	空港向け注意喚起警報 (カンカン音)
24	フロートASSY	FLOAT ASSY	ゴムジャッキパッド (後方格納用)
25	ランプ ASSY	LAMP ASSY	排ガス警報ランプ
26	セフテイASSY (オペレーション)	SAFETY ASSY	バスケット部タッチスイッチ (後方格納用)

適用製造番号によっては取り付けがないものもあります。

MACHINES OF SOME SERIAL NO. ARE NOT EQUIPPED WITH THESE PARTS.

CLICK HERE TO **DOWNLOAD** THE COMPLETE MANUAL

- Thank you very much for reading the preview of the manual.
- You can download the complete manual from: [www.heydownloads.com](http://www.heydownloads.com) by clicking the link below



- Please note: If there is no response to CLICKING the link, please download this PDF first and then click on it.

CLICK HERE TO **DOWNLOAD** THE COMPLETE MANUAL