

AT-121-1 43007120500 MITSUBISHI PA-FE73DB 6KA3

PB3000084-00 POWER UNIT
PO1000171-00 INDICATION PLATES
PX2000505-01 CARRIER UNIT
PX3000306-00 MOUNTING UNIT
PY2000132-00 OPTIONS,2
ASSEMBLY

CLICK HERE TO **DOWNLOAD** THE COMPLETE MANUAL

- Thank you very much for reading the preview of the manual.
- You can download the complete manual from: www.heydownloads.com by clicking the link below



- Please note: If there is no response to CLICKING the link, please download this PDF first and then click on it.

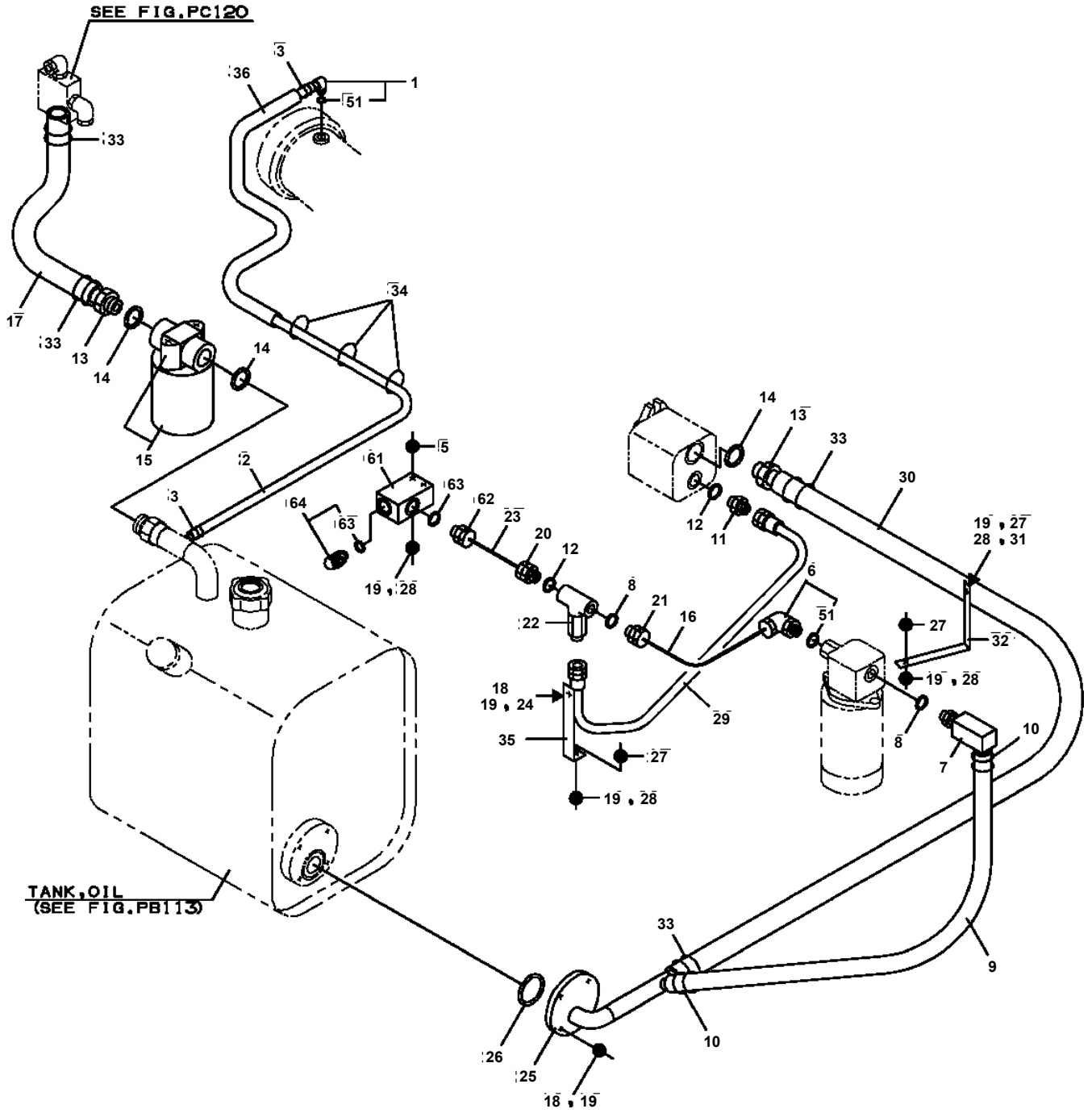
CLICK HERE TO **DOWNLOAD** THE COMPLETE MANUAL

AT-121-1 43007120500 MITSUBISHI PA-FE73DB 6KA3

Pos No.	Parts No	Parts Name	Qty	Unit	Technical Data	Serial No (Start)	Serial No (End)	Remarks	Pages
2	(*****)	DECK	1						000017

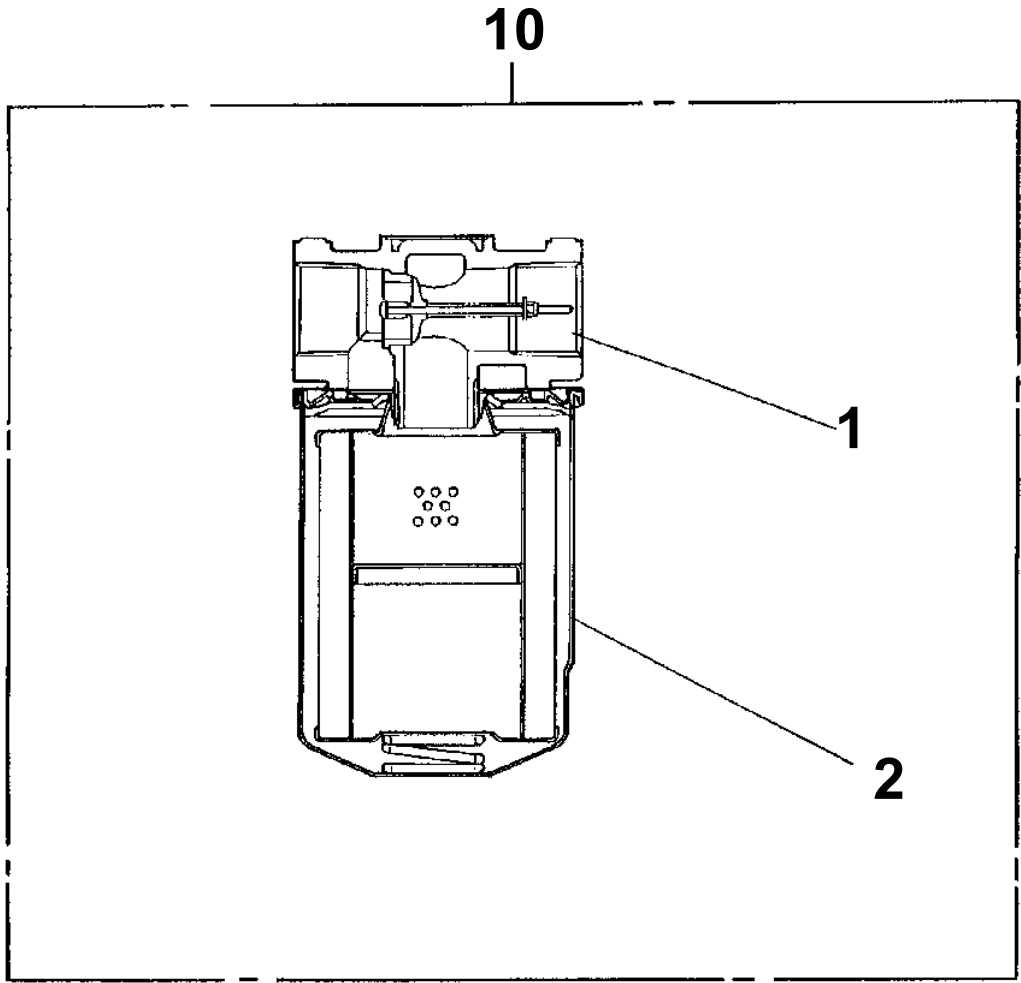
**AT-121-1 43007120500 MITSUBISHI PA-FE73DB 6KA3
PB1411358-00 PIPING,LOWER**

FRONT



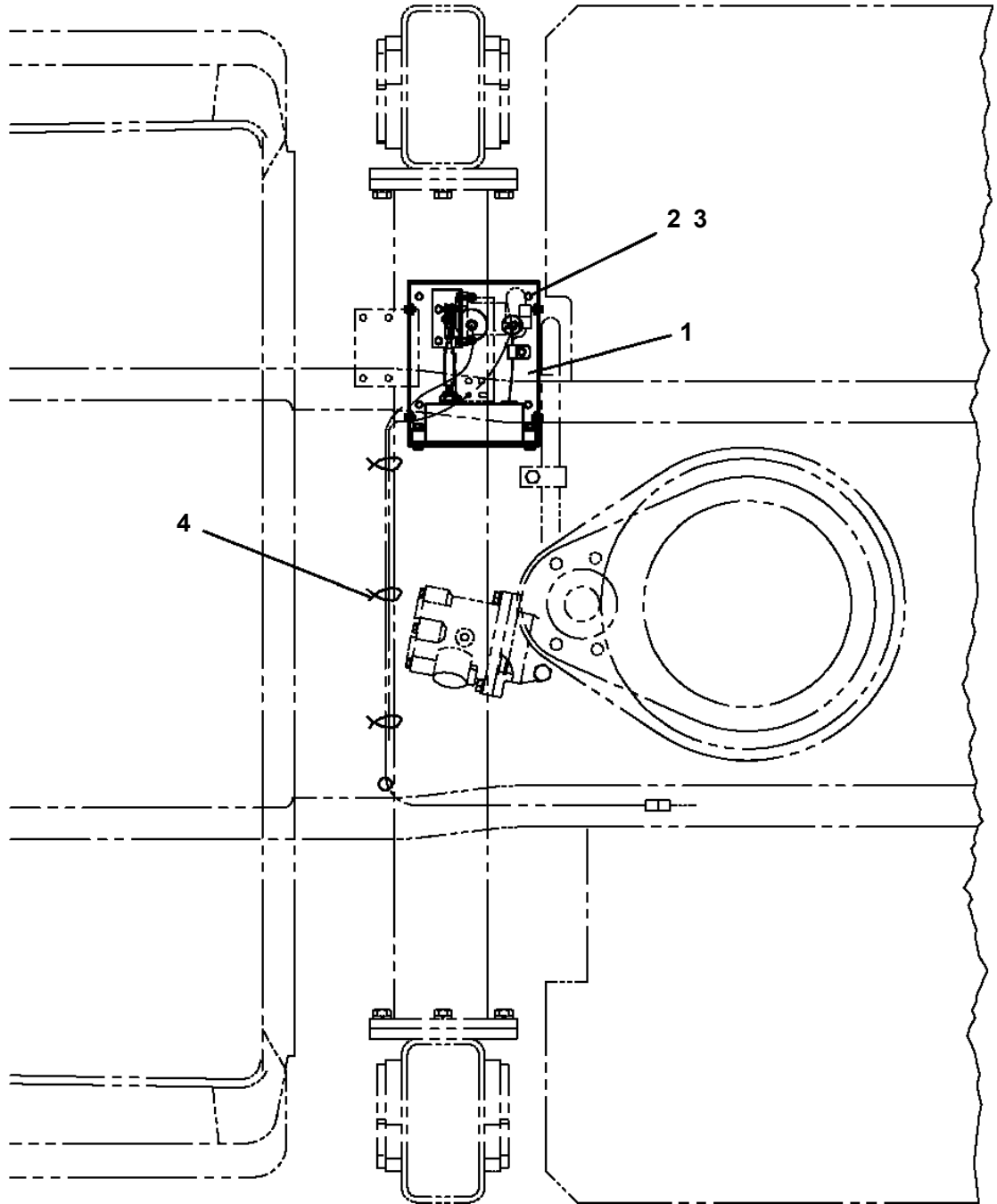
AT-121-1 43007120500 MITSUBISHI PA-FE73DB 6KA3
PI1300061-02 FILTER,OIL (YAMASHIN)

Assembly Name FILTER, OIL



AT-121-1 43007120500 MITSUBISHI PA-FE73DB 6KA3
PL1031070-00 OPE.ASSY,ACCELERATOR

FRONT ←



AT-121-1 43007120500 MITSUBISHI PA-FE73DB 6KA3

Pos No.	Parts No	Parts Name	Qty	Unit	Technical Data	Serial No (Start)	Serial No (End)	Remarks	Page
50	36652335010	GASKET	2						
51	36652335020	GASKET	2						
54	53063551010	SEAL,OIL	1						
55	80602110360	RING,RITAINING	1		R36				
100	36652840000	PUMP,OIL (32CC:L)	1						

CLICK HERE TO **DOWNLOAD** THE COMPLETE MANUAL

- Thank you very much for reading the preview of the manual.
- You can download the complete manual from: www.heydownloads.com by clicking the link below



- Please note: If there is no response to CLICKING the link, please download this PDF first and then click on it.

CLICK HERE TO **DOWNLOAD** THE COMPLETE MANUAL