

AT-81-1 42040140600 LOWER,ISUZU U-NKR58EA-6EXA
PX1000582-00 MOUNTING PARTS
ASSEMBLY

CLICK HERE TO **DOWNLOAD** THE COMPLETE MANUAL

- Thank you very much for reading the preview of the manual.
- You can download the complete manual from: www.heydownloads.com by clicking the link below



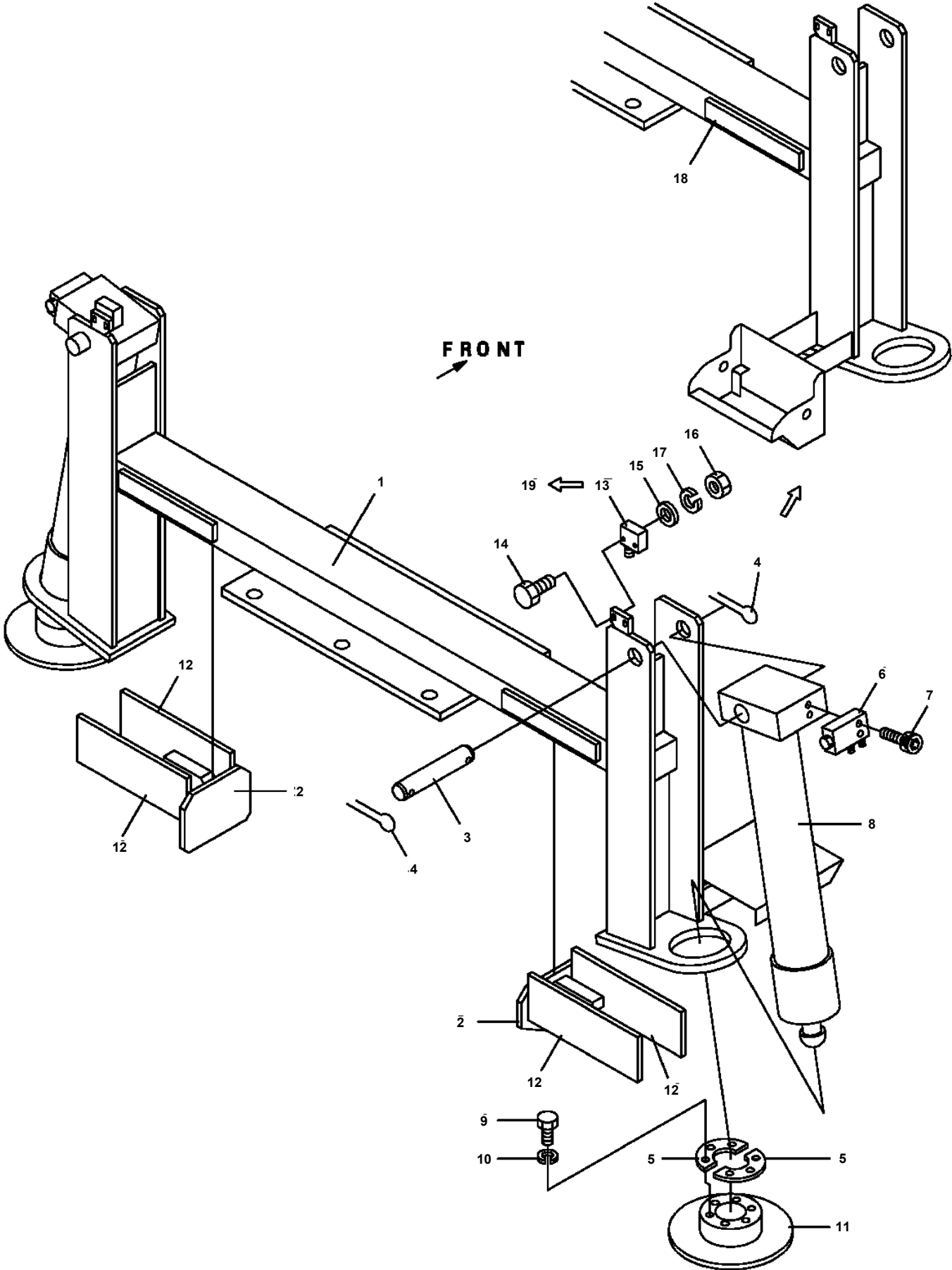
- Please note: If there is no response to CLICKING the link, please download this PDF first and then click on it.

CLICK HERE TO **DOWNLOAD** THE COMPLETE MANUAL

AT-81-1 42040140600 LOWER,ISUZU U-NKR58EA-6EXA

Pos No.	Parts No	Parts Name	Qty	Unit	Technical Data	Serial No (Start)	Serial No (End)	Remarks
1	90101208016	BOLT	2		M8X16			
2	90302040801	WASHER,SPRING	2		8			
5	36630910060	NEEDLE	1					
6	36630910030	HOLDER	1					
7	91002801000	O-RING	1		1B P10			
8	91410001000	RING,BACKUP	1		P10			
9	36630910040	BODY	1					
10	36630910050	POPPET	1					
11	52255101000	SPRING	1					
12	91002801400	O-RING	1		1B P14			
13	36620030050	PLUG	1					
14	82400000350	KNOB	1					
15	37000508510	PLATE	1					
16	80172303006	SCREW,MACHINE	1		M3X6			
20	36630910000	VALVE,MANUAL CONTROL	1					

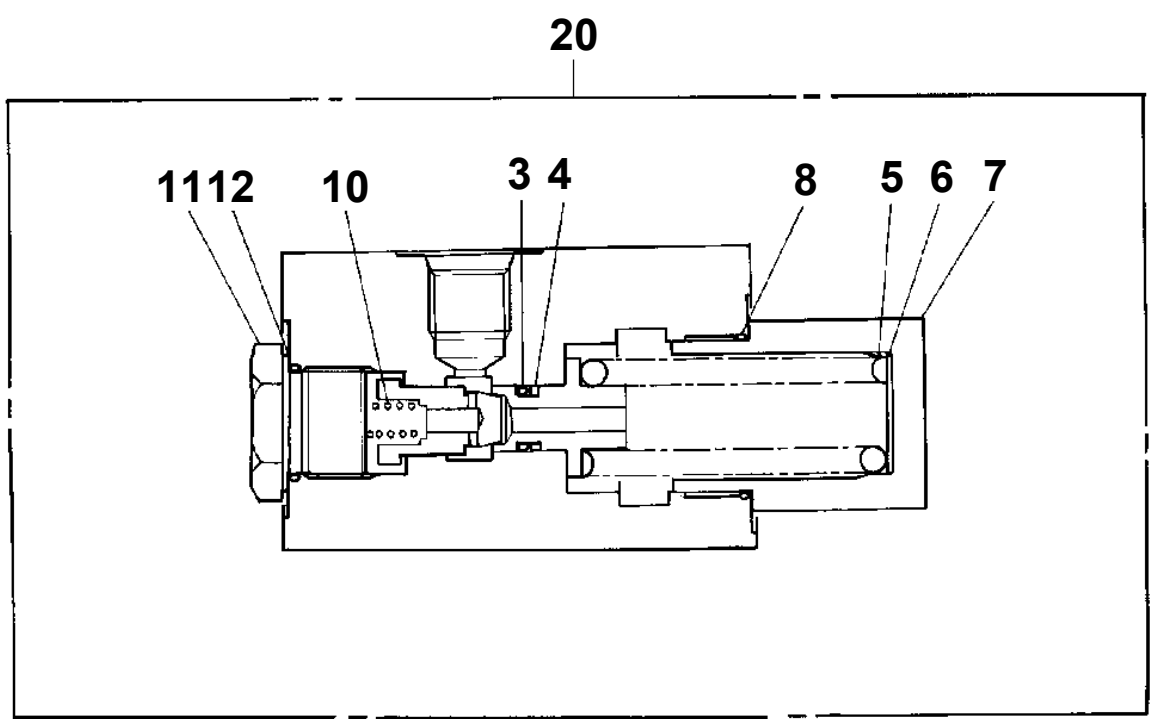
**AT-81-1 42040140600 LOWER,ISUZU U-NKR58EA-6EXA
PC1010422-01 OUTRIGGER**



**AT-81-1 42040140600 LOWER,ISUZU U-NKR58EA-6EXA
PI1100007-00 VALVE,RELIEF**

Assembly Name VALVE, RELIEF

PI110-0007-00



AT-81-1 42040140600 LOWER,ISUZU U-NKR58EA-6EXA

Pos No.	Parts No	Parts Name	Qty	Unit	Technical Data	Serial No (Start)	Serial No (End)	Remarks
1	36060560000	CYLINDER,ACCELERATOR	1					
2	37001300110	SPRING	1					
3	37001703930	CABLE,CONTROL	1					
4	42712460010	SUPPORT	1					
5	42712460100	SUPPORT	1					
6	90101206012	BOLT	4		M6X12			
7	90302040601	WASHER,SPRING	4		6			
8	37000112370	PIN	1					
9	90303070601	WASHER,PLAIN	1		6			
10	80136320012	PIN,SPLIT	1		2X12			
11	42710500300	SUPPORT	1					
12	80136332020	PIN,SPLIT	2		3.2X20			
13	90303071201	WASHER,PLAIN	2		12			
14	37000400510	BEARING,PLAIN	2					
15	42710610100	LEVER	1					
16	42710610200	SUPPORT	1					
17	90101208060	BOLT	2		M8X60			
18	90303070801	WASHER,PLAIN	2		8			
19	82100001411	TUBE,SPIRAL	1	M	SE-08BK			
20	37000500110	PLATE	2					
21	90302040801	WASHER,SPRING	2		8			
22	82100002004	CLAMP	2		WR8			

AT-81-1 42040140600 LOWER,ISUZU U-NKR58EA-6EXA

Pos No.	Parts No	Parts Name	Qty	Unit	Technical Data	Serial No (Start)	Serial No (End)
1	42940971010	PLATE,NAME	2				
2	42390010110	PLATE,CAUTION	1				
3	37002200340	PLATE,NAME (HIGH/LOW)	1				
4	12117140000	PLATE,NAME (GREASE)	12				
5	42390040020	PLATE,CAUTION	1				
6	37002202030	PLATE,NAME	2				
7	42390660060	PLATE,NAME	1				
8	37002203080	PLATE,NAME (JACK)	1				
9	37002203090	PLATE,NAME (JACK)	1				
10	37002203100	PLATE,NAME (JACK)	1				
11	37002203110	PLATE,NAME (JACK)	1				
12	37002203130	PLATE,NAME (ELEVATING)	1				
13	37002206271	PLATE,NAME (EMERGENCY SWITCH)	1				
14	37002203050	PLATE,NAME (SWING)	1				
18	80147310440	RIVET	4		NSA4-4		
19	42940971020	PLATE,NAME	1				
20	42940971030	PLATE,CAUTION	1				
21	37002209520	PLATE,NAME (TADANO)	1				
22	37002201980	PLATE,NAME	2				
23	37002209540	PLATE,NAME (TADANO)	1				
24	37002212700	PLATE,NAME	1				
25	59424045000	PLATE (NON-SLIP)	1				

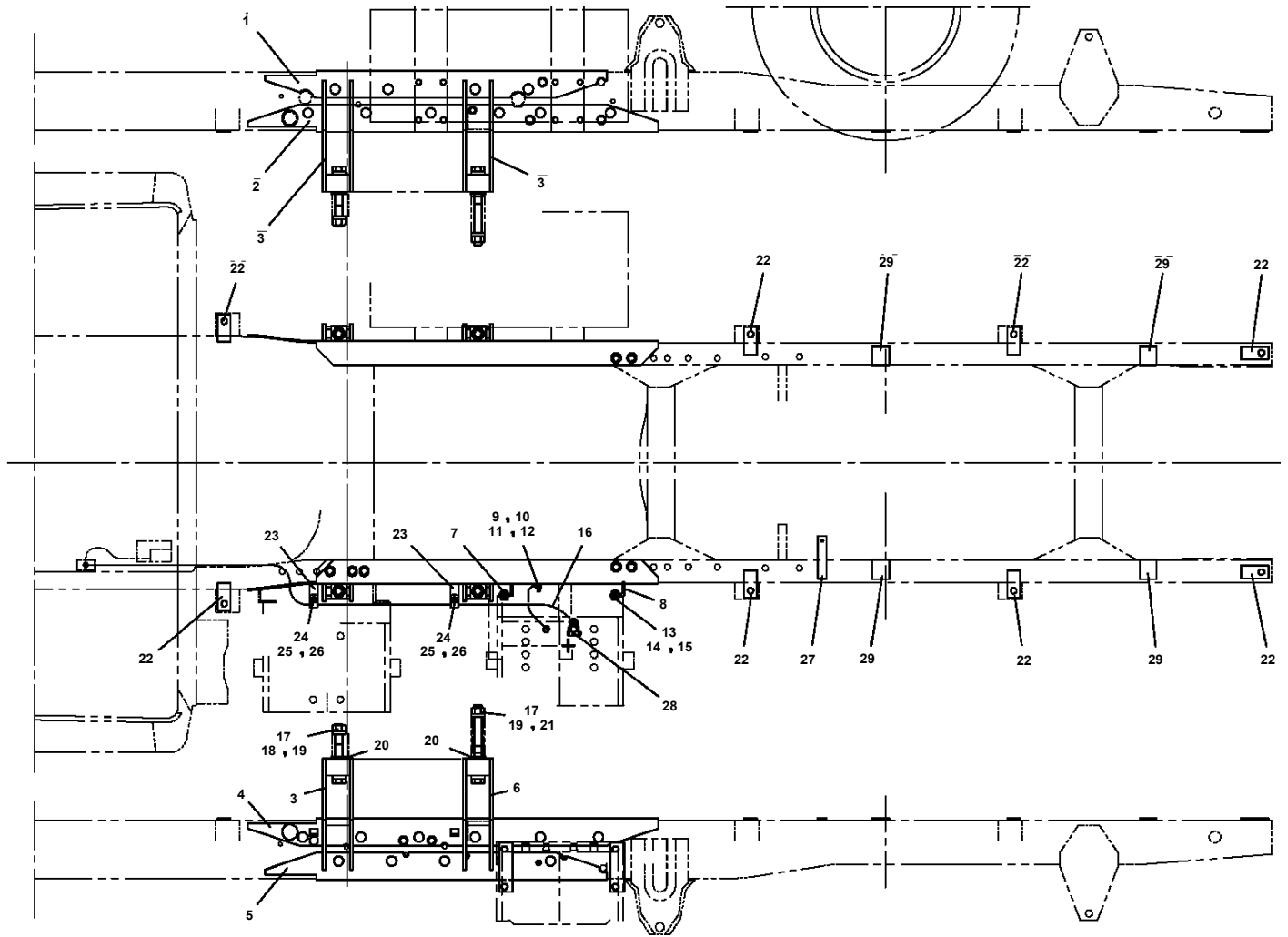
AT-81-1 42040140600 LOWER,ISUZU U-NKR58EA-6EXA

Pos No.	Parts No	Parts Name	Qty	Unit	Technical Data	Serial No (Start)	Serial No (End)	Remark
1	37004100040	PUMP,GREASE (DOMESTIC)	1					
2	(*****)	TOOLS	1					
3	42460021000	BELT,SAFETY	1					
4	(*****)	EARTHING DEVICE	1					
5	(*****)	STOPPER,TIRE	4					
6	42460111000	BLOCK,WOOD	4					

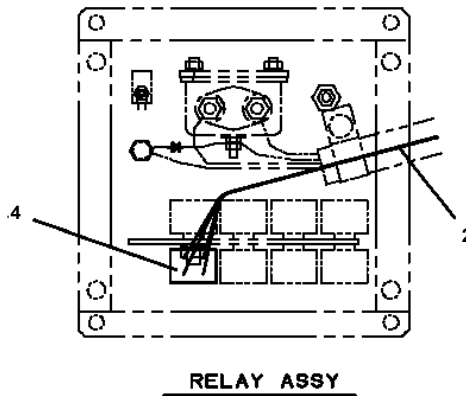
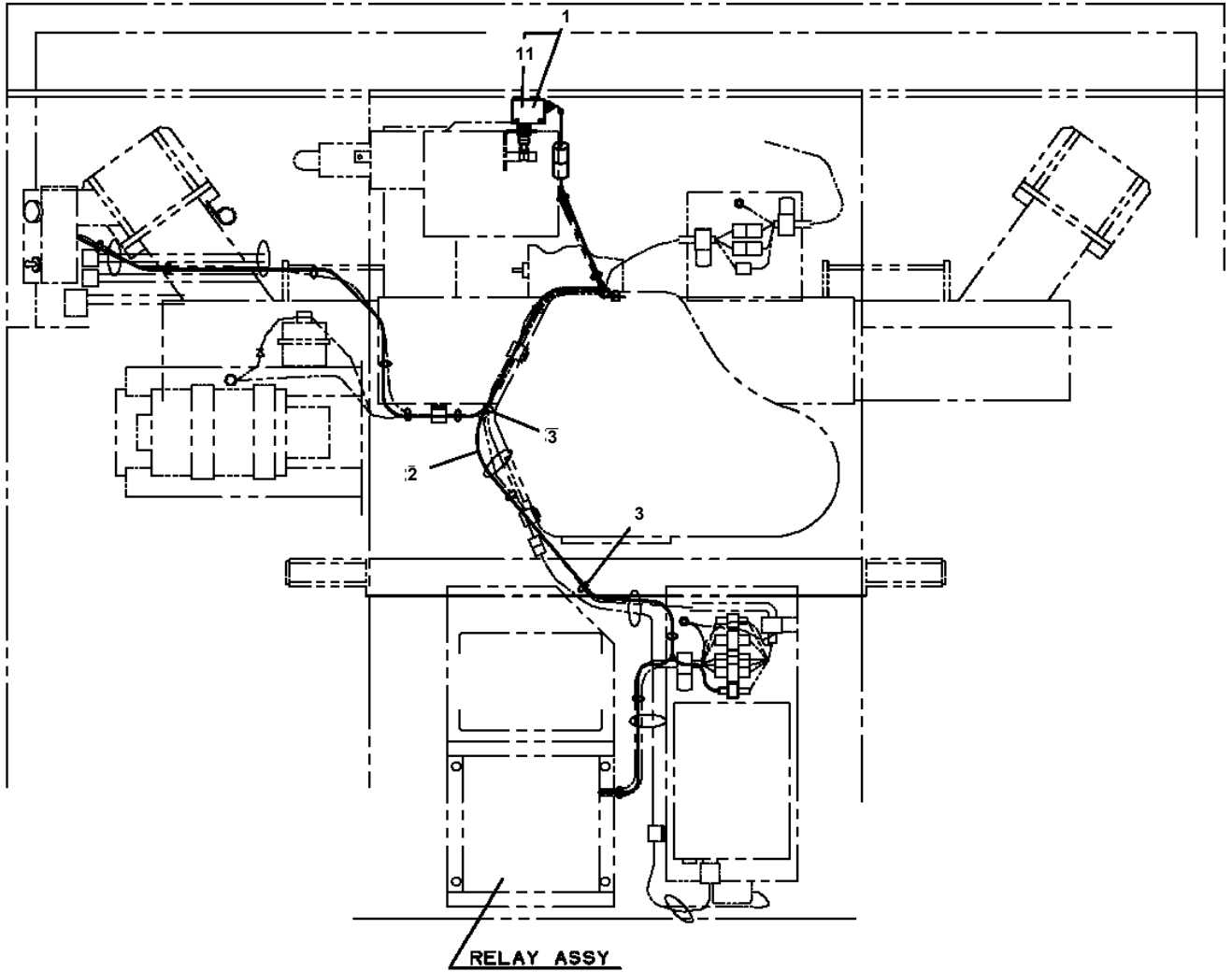
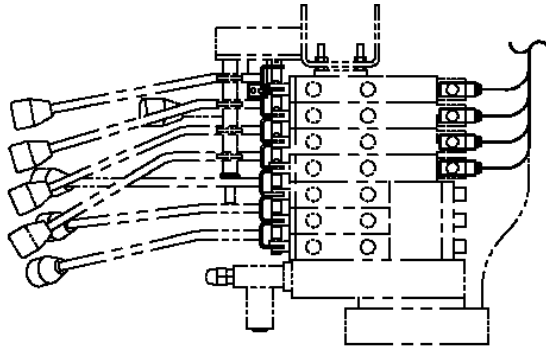
AT-81-1 42040140600 LOWER,ISUZU U-NKR58EA-6EXA

Pos No.	Parts No	Parts Name	Qty	Unit	Technical Data	Serial No (Start)	Serial No (End)	Remark
1	90174108025	BOLT	8		M8X25			
2	90302040801	WASHER,SPRING	8		8			
3	90264780800	NUT	8		M8			
4	36300980000	SHAFT,PROPELLER (PUMP)	1					
5	51663011001	YOKE (PUMP)	1					
6	42820580100	SUPPORT	1					
7	36652780000	PUMP,OIL (27CC:L)	1					
8	90174110030	BOLT	4		M10X30			
9	90302041001	WASHER,SPRING	6		10			
10	90201781000	NUT	2		M10			
11	42821850100	SUPPORT	1					
12	90174110035	BOLT	2		M10X35			
13	90303071001	WASHER,PLAIN	2		10			
14	51663010160	WIRE	1					
15	42820120020	SCREW,SET	3		M8X20			
31	52463806003	COUPLING ASSY	1					
32	36300980010	PIPE	1					
33	52463805003	COUPLING,UNIVERSAL	1					
41	52463895010	JOINT KIT	2					
42	82456101000	NIPPLE,GREASE	1		A-PT1/8			

**AT-81-1 42040140600 LOWER, ISUZU U-NKR58EA-6EXA
PX1390227-00 PARTS, CHASSIS MODIFICATION**



**AT-81-1 42040140600 LOWER,ISUZU U-NKR58EA-6EXA
PY1130001-00 INTERLOCK**



CLICK HERE TO **DOWNLOAD** THE COMPLETE MANUAL

- Thank you very much for reading the preview of the manual.
- You can download the complete manual from: www.heydownloads.com by clicking the link below



- Please note: If there is no response to CLICKING the link, please download this PDF first and then click on it.

CLICK HERE TO **DOWNLOAD** THE COMPLETE MANUAL