

AT-270-2 42083230900 LOWER,HINO BDG-FC6JGWA-NK

PB3000218-00 POWER UNIT
PO1000123-00 INDICATION PLATES
PX2000995-00 CARRIER UNIT
PX3000415-01 MOUNTING UNIT
PY1001396-00 OPTIONS,1
ASSEMBLY

CLICK HERE TO **DOWNLOAD** THE COMPLETE MANUAL

- Thank you very much for reading the preview of the manual.
- You can download the complete manual from: www.heydownloads.com by clicking the link below



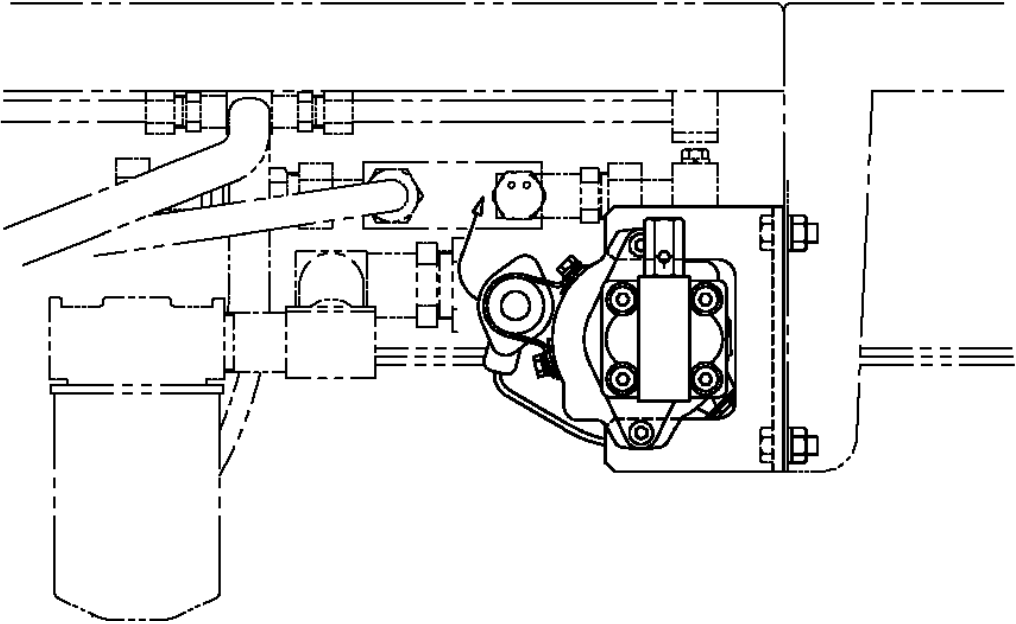
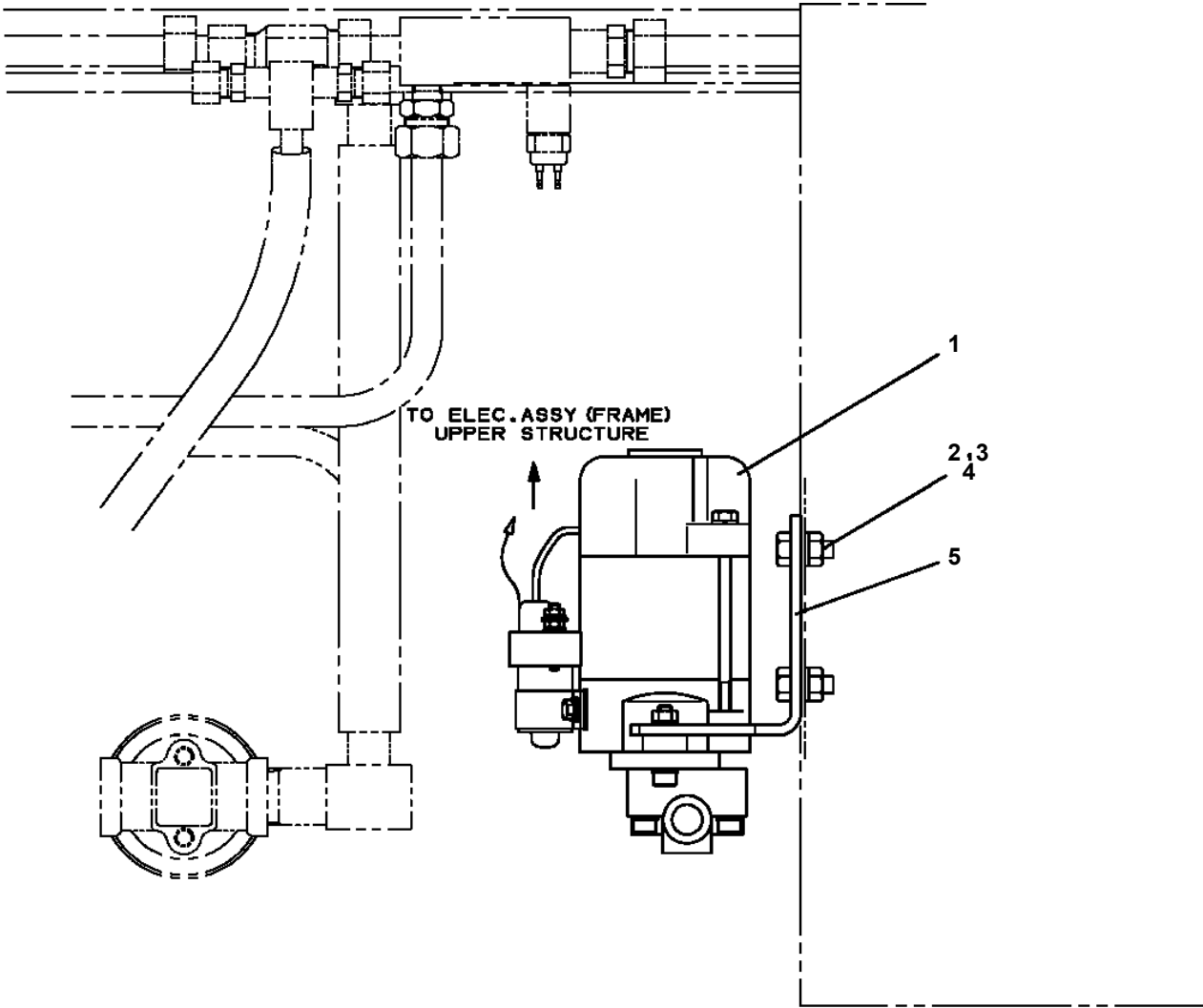
- Please note: If there is no response to CLICKING the link, please download this PDF first and then click on it.

CLICK HERE TO **DOWNLOAD** THE COMPLETE MANUAL

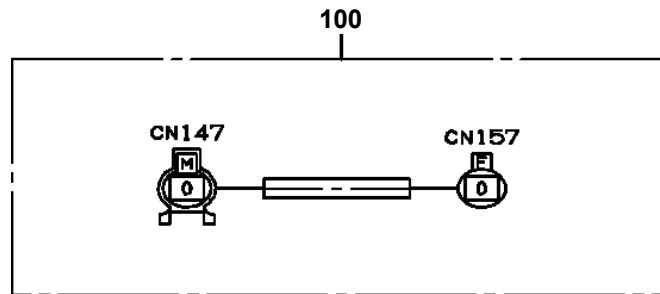
AT-270-2 42083230900 LOWER,HINO BDG-FC6JGWA-NK

Pos No.	Parts No	Parts Name	Qty	Unit	Technical Data	Serial No (Start)	Serial No (End)	Remarks	Pages
1	(*****)	ALARM SYSTEM	1						000041
2	(*****)	ALARM SYSTEM	1						000042

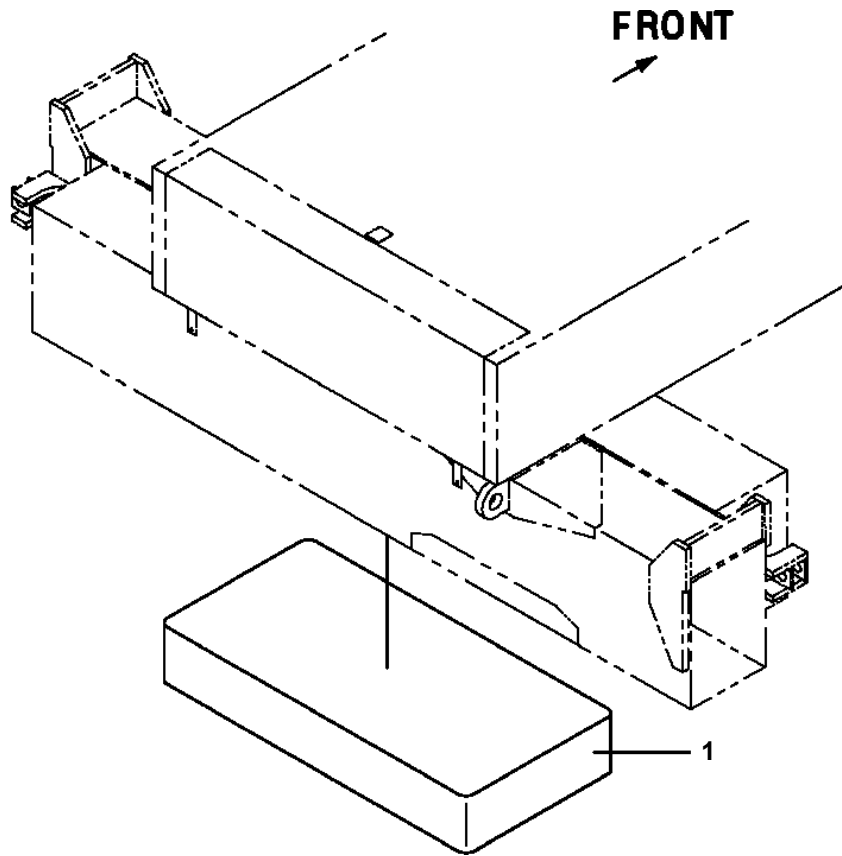
**AT-270-2 42083230900 LOWER, HINO BDG-FC6JGWA-NK
PB1380024-02 POWER SUPPLY (MOUNT, EMERGENCY PUMP)**



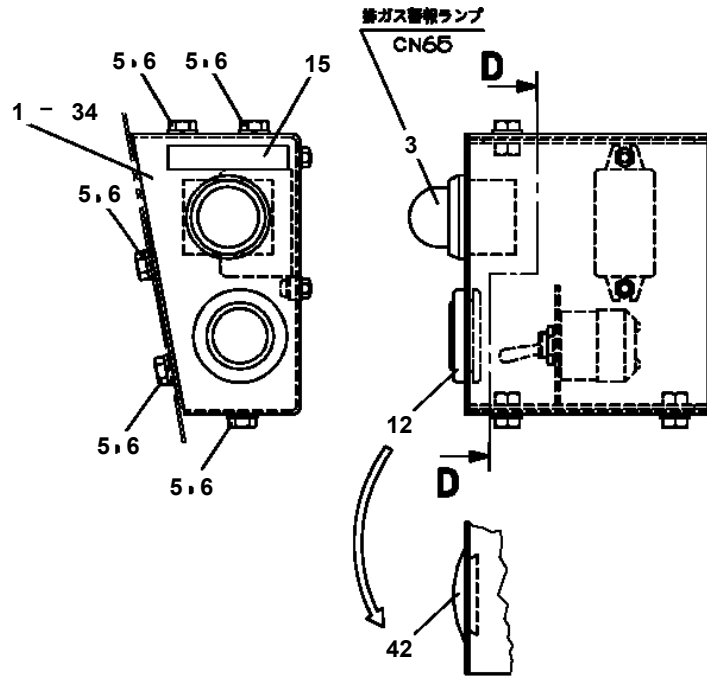
**AT-270-2 42083230900 LOWER,HINO BDG-FC6JGWA-NK
PH5031599-00 HARNESS**



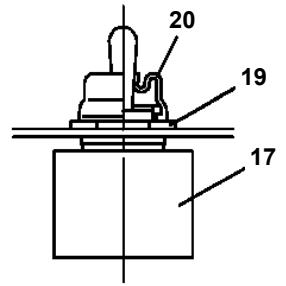
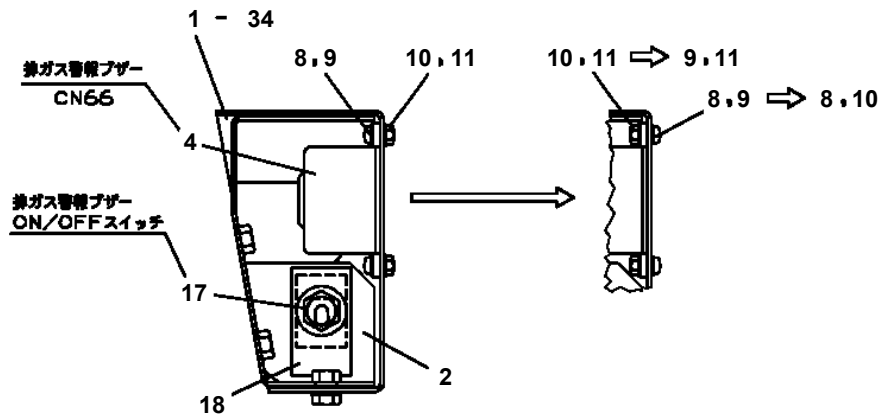
**AT-270-2 42083230900 LOWER,HINO BDG-FC6JGWA-NK
PK1230157-00 WEIGHT**



AT-270-2 42083230900 LOWER,HINO BDG-FC6JGWA-NK
PN1014778-02 ELEC.ASSY

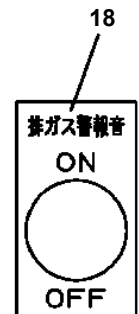
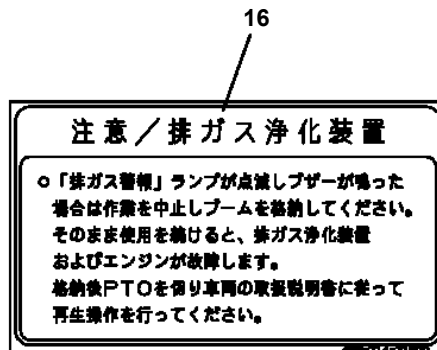
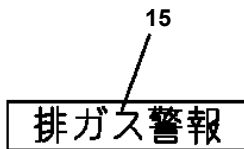


A

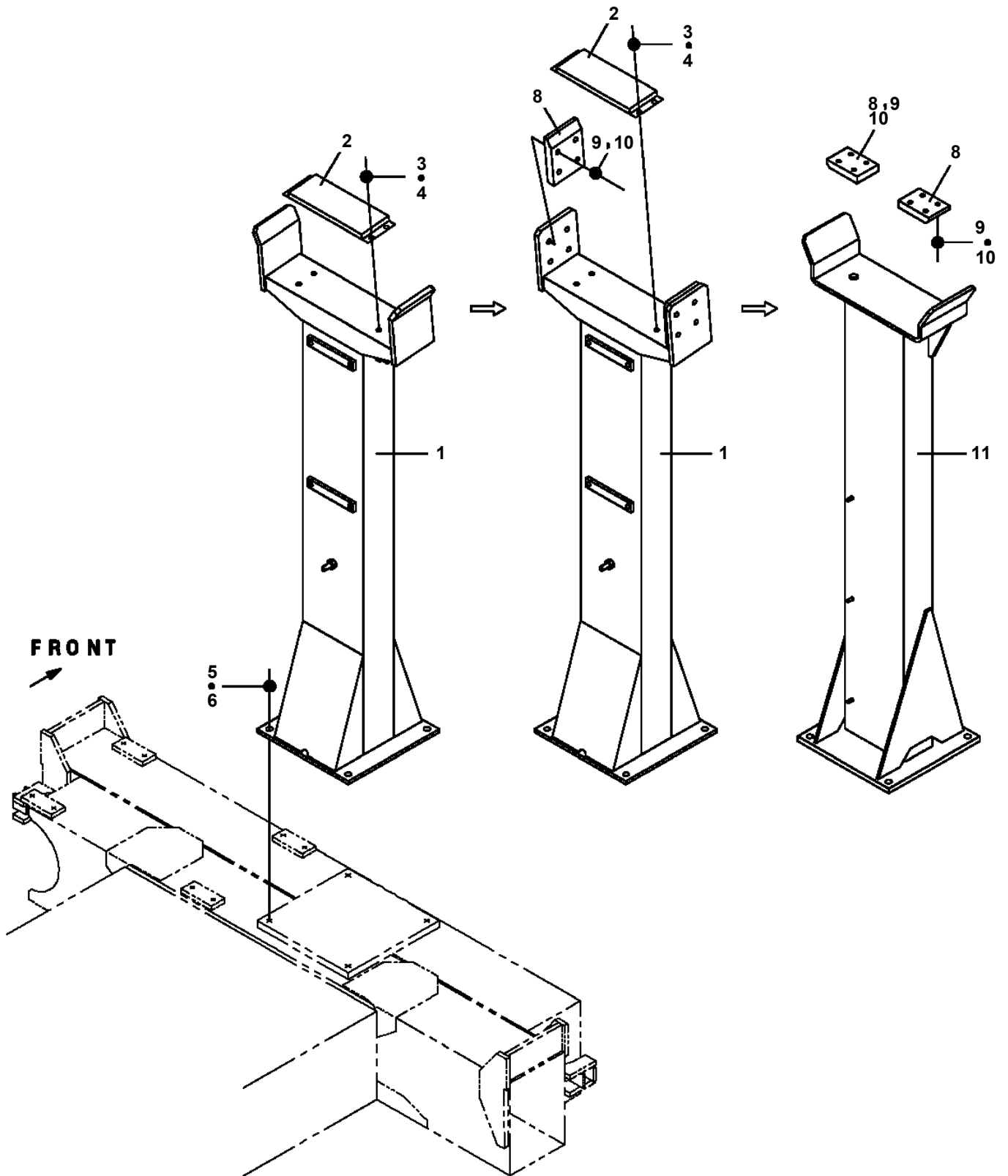


トグル SW

D-D



**AT-270-2 42083230900 LOWER,HINO BDG-FC6JGWA-NK
PX1120445-03 BOOM REST**



AT-270-2 42083230900 LOWER,HINO BDG-FC6JGWA-NK

Pos No.	Parts No	Parts Name	Qty	Unit	Technical Data	Serial No (Start)	Serial No (End)	Remarks	Pages
1	90101208025	BOLT	6		M8X25		370784		
	90101208025	BOLT	8		M8X25	370785	370869		
	90101208025	BOLT	4		M8X25	370870			
2	42900380100	PLATE	1			370785	370869		
3	91850400601	CLAMP	8				370784		
4	42809910100	SUPPORT (LEFT)	1				370869		
5	42809910200	SUPPORT (RIGHT)	1				370869		
6	91810130240	FASTENER	13						
7	90101208016	BOLT	8		M8X16		370784		
	90101208016	BOLT	6		M8X16	370785	370869		
	90101208016	BOLT	8		M8X16	370870			
8	90101208020	BOLT	2		M8X20	370870			
9	90303070801	WASHER,PLAIN	6		8		370869		
	90303070801	WASHER,PLAIN	4		8	370870			
10	90302040801	WASHER,SPRING	14		8				
13	90201200800	NUT	6		M8				
24	42809910300	SUPPORT	1			370870			
25	42809910400	SUPPORT	1			370870	370894		
	42809910401	SUPPORT	1			370895			

AT-270-2 42083230900 LOWER,HINO BDG-FC6JGWA-NK

Pos No.	Parts No	Parts Name	Qty	Unit	Technical Data	Serial No (Start)	Serial No (End)	Remark
1	42787090100	HARNESS	2					
2	42787090200	HARNESS	2					
3	82114102040	CONNECTOR (4P,FEMALE)	2					
4	82121102040	HOLDER (4P,BOTH)	4					
5	82114101040	CONNECTOR (4P,MALE)	2					
6	82111101510	TERMINAL	12					
7	82121101050	PLUG (BLACK/AV0.3 TO 0.5)	24					
8	82111101010	TERMINAL	12					
9	82114102020	CONNECTOR	2					
10	82121102020	HOLDER	4					
11	82114101020	CONNECTOR (2P,MALE)	2					
12	90101208025	BOLT	1		M8X25			
13	90201200800	NUT	1		M8			
14	90302040801	WASHER,SPRING	1		8			
15	90303070801	WASHER,PLAIN	1		8		370890	

CLICK HERE TO **DOWNLOAD** THE COMPLETE MANUAL

- Thank you very much for reading the preview of the manual.
- You can download the complete manual from: www.heydownloads.com by clicking the link below



- Please note: If there is no response to CLICKING the link, please download this PDF first and then click on it.

CLICK HERE TO **DOWNLOAD** THE COMPLETE MANUAL