

AT-270-2 42083231600 LOWER,HINO TKG-FC9JGAA-SKD

PB3000275-00 POWER UNIT

PO1000123-00 INDICATION PLATES

PX2001949-00 CARRIER UNIT

PX3000814-00 MOUNTING UNIT

PY2000030-02 OPTIONS (LOWER)

PY4000027-00 OPTION UNIT,1 (LOWER)

ASSEMBLY

CLICK HERE TO **DOWNLOAD** THE COMPLETE MANUAL

- Thank you very much for reading the preview of the manual.
- You can download the complete manual from: www.heydownloads.com by clicking the link below



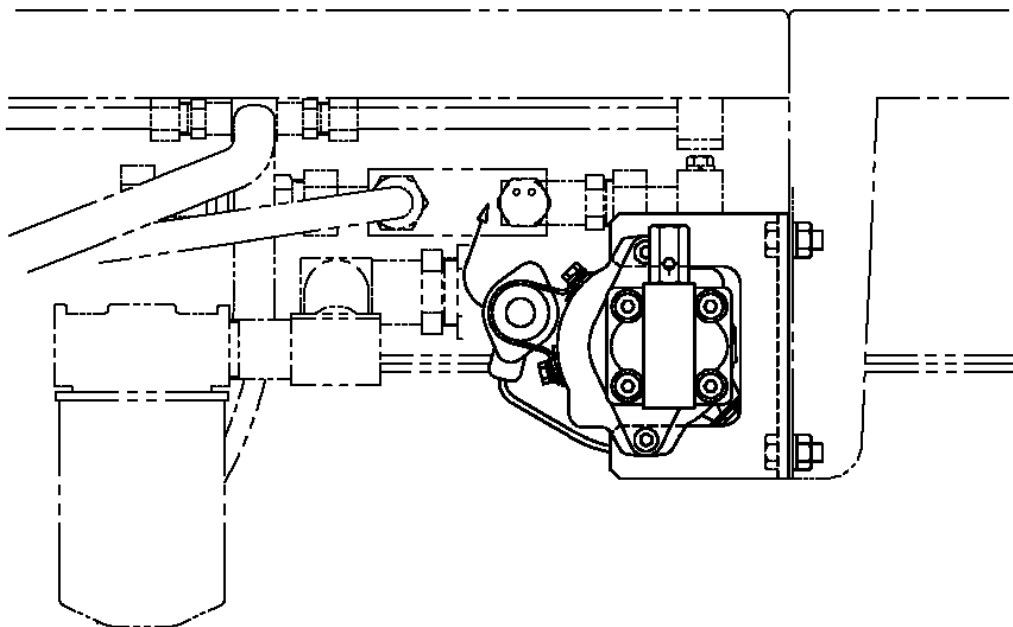
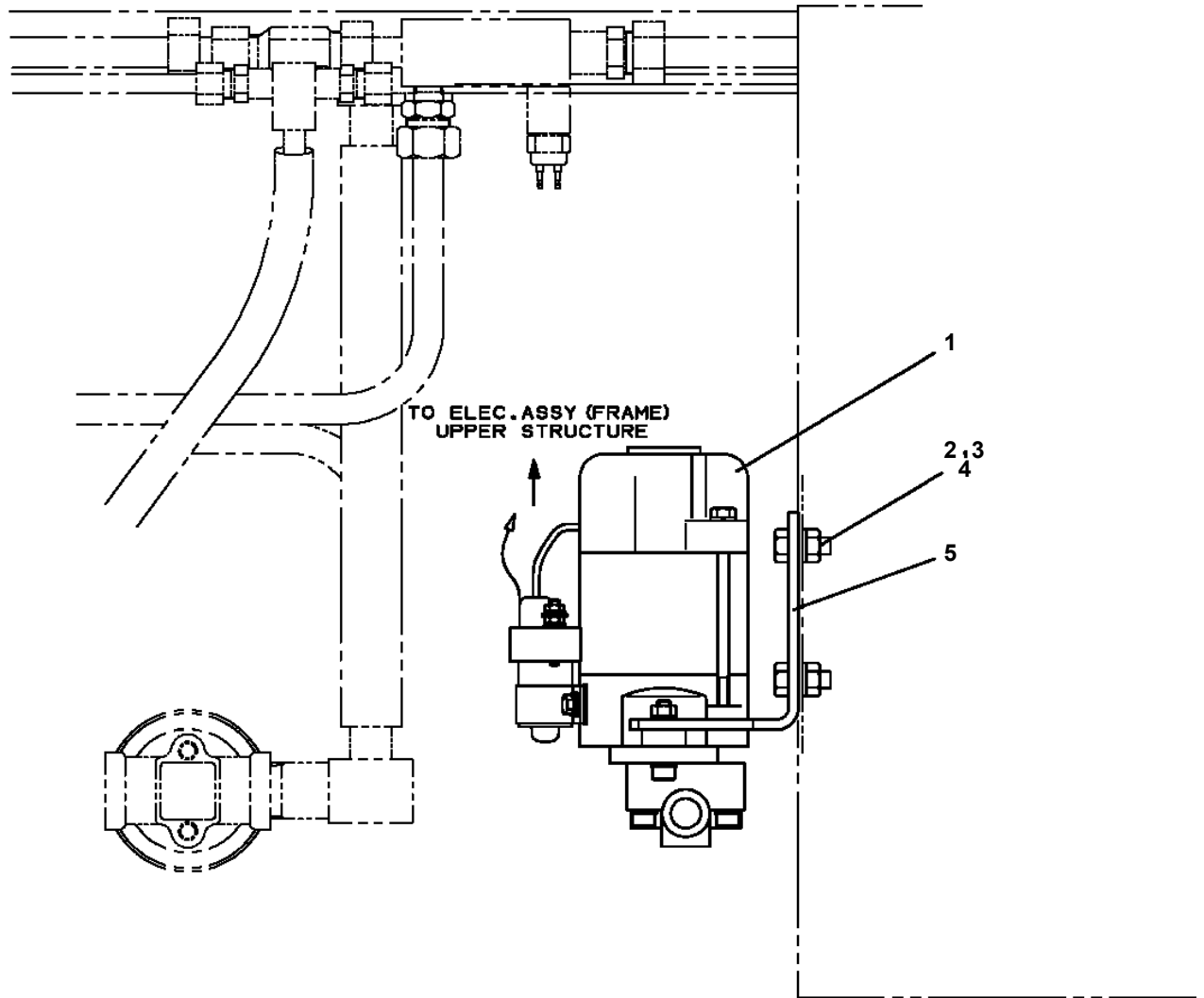
- Please note: If there is no response to CLICKING the link, please download this PDF first and then click on it.

CLICK HERE TO **DOWNLOAD** THE COMPLETE MANUAL

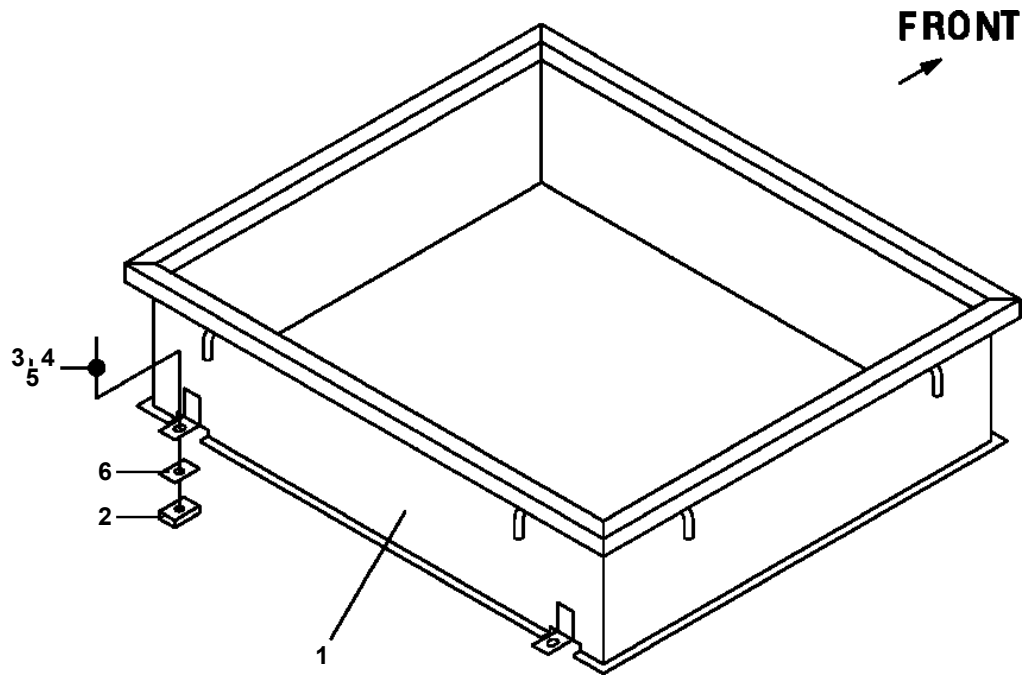
AT-270-2 42083231600 LOWER,HINO TKG-FC9JGAA-SKD

Pos No.	Parts No	Parts Name	Qty	Unit	Technical Data	Serial No (Start)	Serial No (End)	Remarks
2	(*****)	LOAD HANDING ASSY (EXP.)	1					

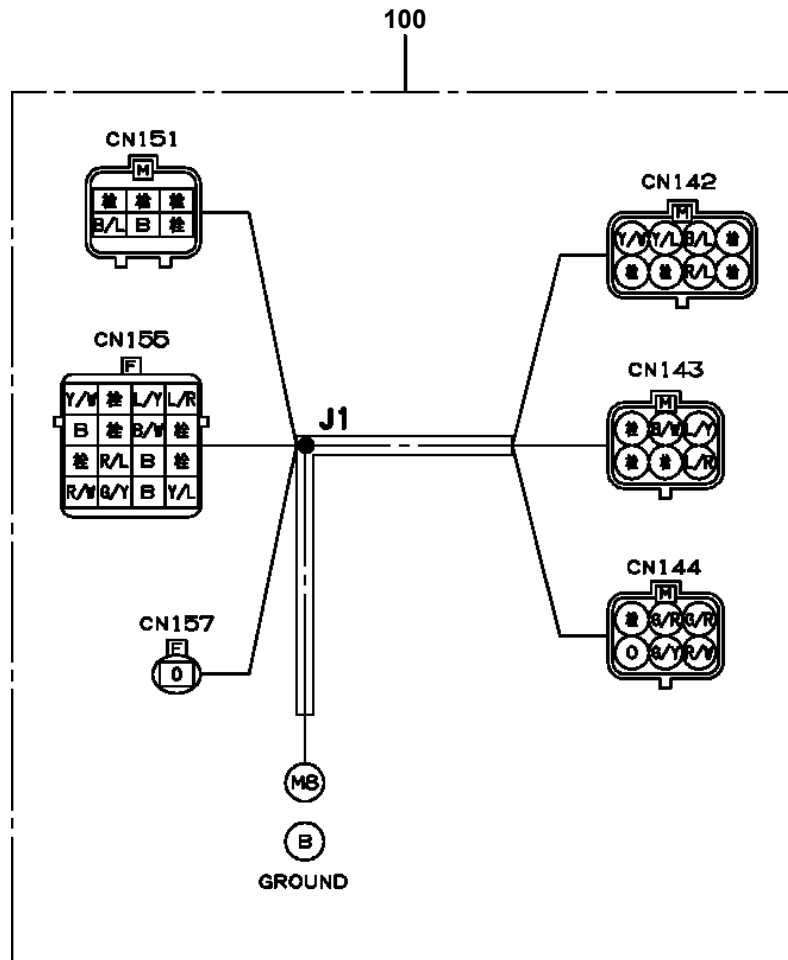
**AT-270-2 42083231600 LOWER, HINO TKG-FC9JGAA-SKD
PB1380024-02 POWER SUPPLY (MOUNT, EMERGENCY PUMP)**



**AT-270-2 42083231600 LOWER,HINO TKG-FC9JGAA-SKD
PG5200003-00 GUARD ASSY (770X670X200,WITH HOOK)**

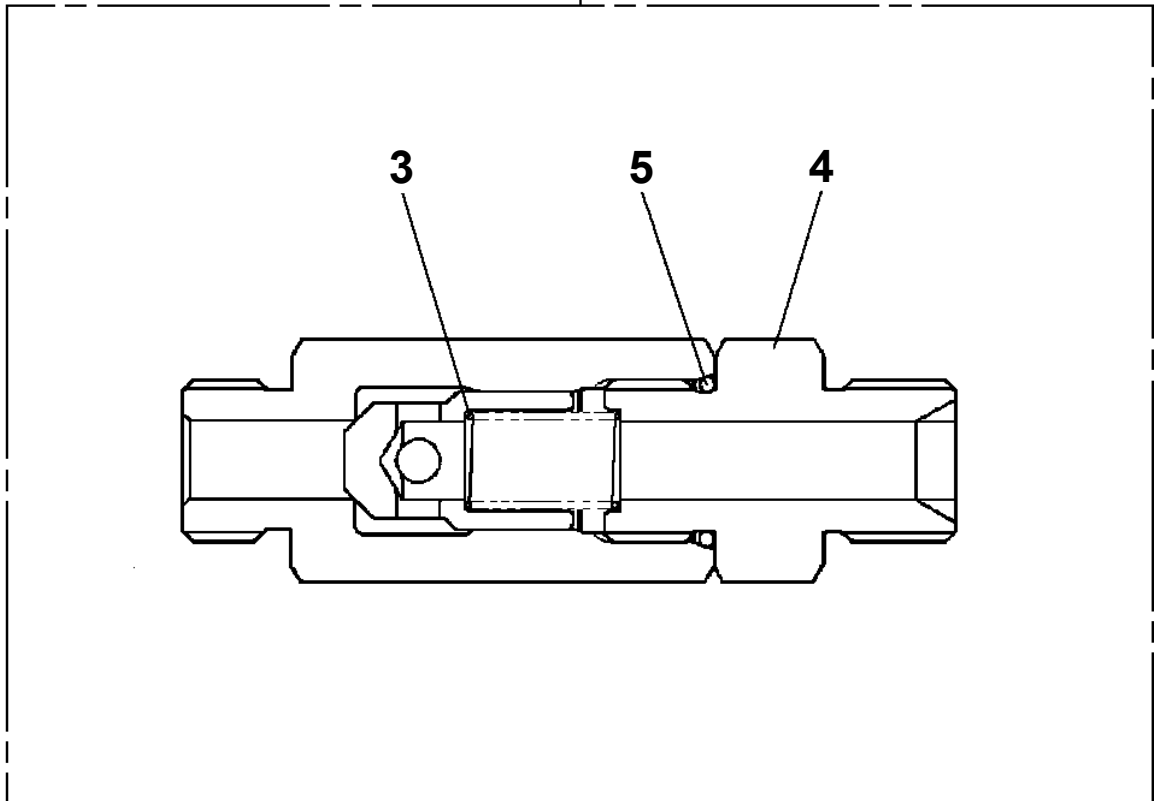


AT-270-2 42083231600 LOWER,HINO TKG-FC9JGAA-SKD
 PH5033606-00 HARNESS



**AT-270-2 42083231600 LOWER,HINO TKG-FC9JGAA-SKD
PI1140188-00 VALVE,CHECK**

50



AT-270-2 42083231600 LOWER,HINO TKG-FC9JGAA-SKD

Pos No.	Parts No	Parts Name	Qty	Unit	Technical Data	Serial No (Start)	Serial No (End)	Re
1	42971441200	COVER	1					
2	42971441300	SUPPORT	1					
3	42971431100	LAMP ASSY (WITH HARNESS)	1					
4	42652120300	BUZZER ASSY	1					
5	90101206012	BOLT	8		M6X12			
6	90302040601	WASHER,SPRING	8		6			
7	82400000221	GROMMET	1					
8	80172304012	SCREW,MACHINE	2		M4X12			
9	90303070401	WASHER,PLAIN	2		4			
10	90302040401	WASHER,SPRING	2		4			
11	90201200400	NUT	2		M4			
13	42971441500	HARNESS	1					
14	91810130240	FASTENER	5					
15	42971431300	PLATE,NAME	1					
16	42971431200	PLATE,CAUTION	1					
17	42971431400	SWITCH ASSY (WITH HARNESS)	1					
18	42971431800	PLATE,NAME	1					
19	82199504017	NUT	1		AT-401N			
20	82199514013	CAP	1					
34	82400000201	GROMMET	1		KG-016			
42	82121800010	PLUG (OTUKA)	1					

AT-270-2 42083231600 LOWER,HINO TKG-FC9JGAA-SKD

Pos No.	Parts No	Parts Name	Qty	Unit	Technical Data	Serial No (Start)	Serial No (End)	Remarks	Pages
1	82400000520	REFLECTOR	2		RED				

AT-270-2 42083231600 LOWER,HINO TKG-FC9JGAA-SKD

Pos No.	Parts No	Parts Name	Qty	Unit	Technical Data	Serial No (Start)	Serial No (End)	Remarks	Pages
1	31792410002	COUPLING ASSY	1						000012

CLICK HERE TO **DOWNLOAD** THE COMPLETE MANUAL

- Thank you very much for reading the preview of the manual.
- You can download the complete manual from: www.heydownloads.com by clicking the link below



- Please note: If there is no response to CLICKING the link, please download this PDF first and then click on it.

CLICK HERE TO **DOWNLOAD** THE COMPLETE MANUAL