

**AT-240-1 42099140300 LOWER,ISUZU FPR33HLX16S93**

PO1000149-00 INDICATION PLATES

PX2000188-01 CARRIER UNIT

PX3000156-00 MOUNTING UNIT

PY2000064-01 OPTIONS,2

ASSEMBLY

CLICK HERE TO **DOWNLOAD** THE COMPLETE MANUAL

- Thank you very much for reading the preview of the manual.
- You can download the complete manual from: [www.heydownloads.com](http://www.heydownloads.com) by clicking the link below



- Please note: If there is no response to CLICKING the link, please download this PDF first and then click on it.

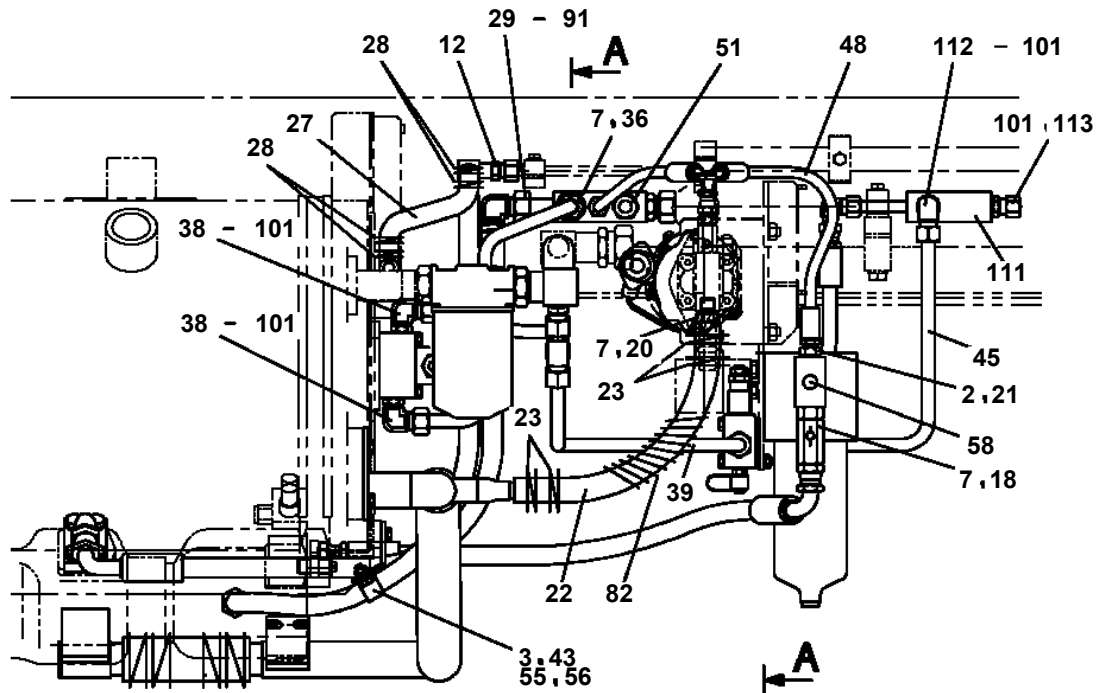
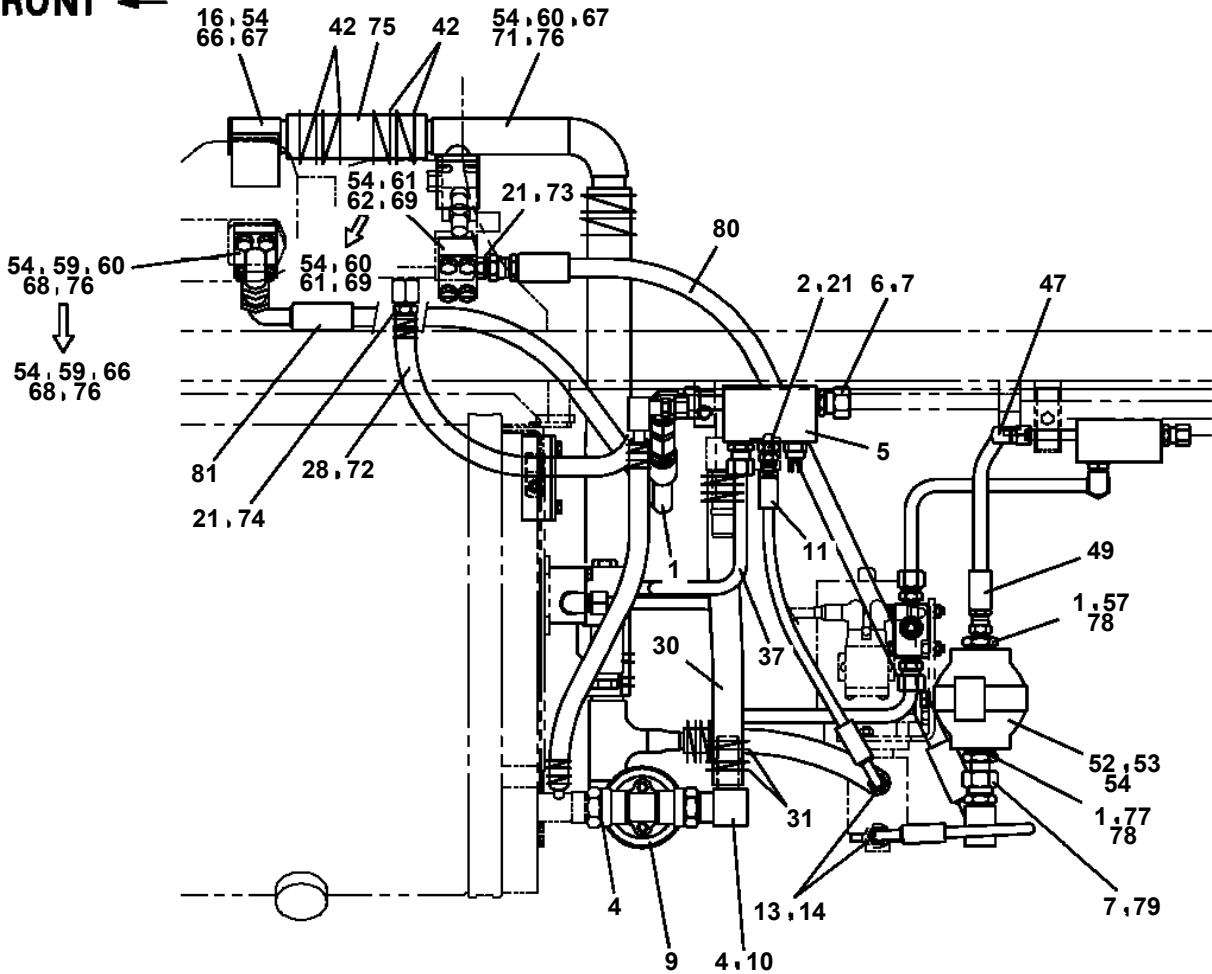
CLICK HERE TO **DOWNLOAD** THE COMPLETE MANUAL

**AT-240-1 42099140300 LOWER,ISUZU FPR33HLX16S93**

Pos No.	Parts No	Parts Name	Qty	Unit	Technical Data	Serial No (Start)	Serial No (End)	Remark
1	90101508025	BOLT	8		M8X25			
2	90302040801	WASHER,SPRING	8		8			
4	32700040010	COUPLING	1					
5	36301110000	SHAFT,PROPELLER (PUMP)	1					
11	36300110010	COUPLING	1					
12	36301114000	PIPE	1					
13	36300110020	COUPLING	1					
21	36300115010	JOINT KIT	2					
22	82456101000	NIPPLE,GREASE	1		A-PT1/8			

**AT-240-1 42099140300 LOWER,ISUZU FPR33HLX16S93  
PB1411583-02 PIPING,LOWER**

**FRONT** ←

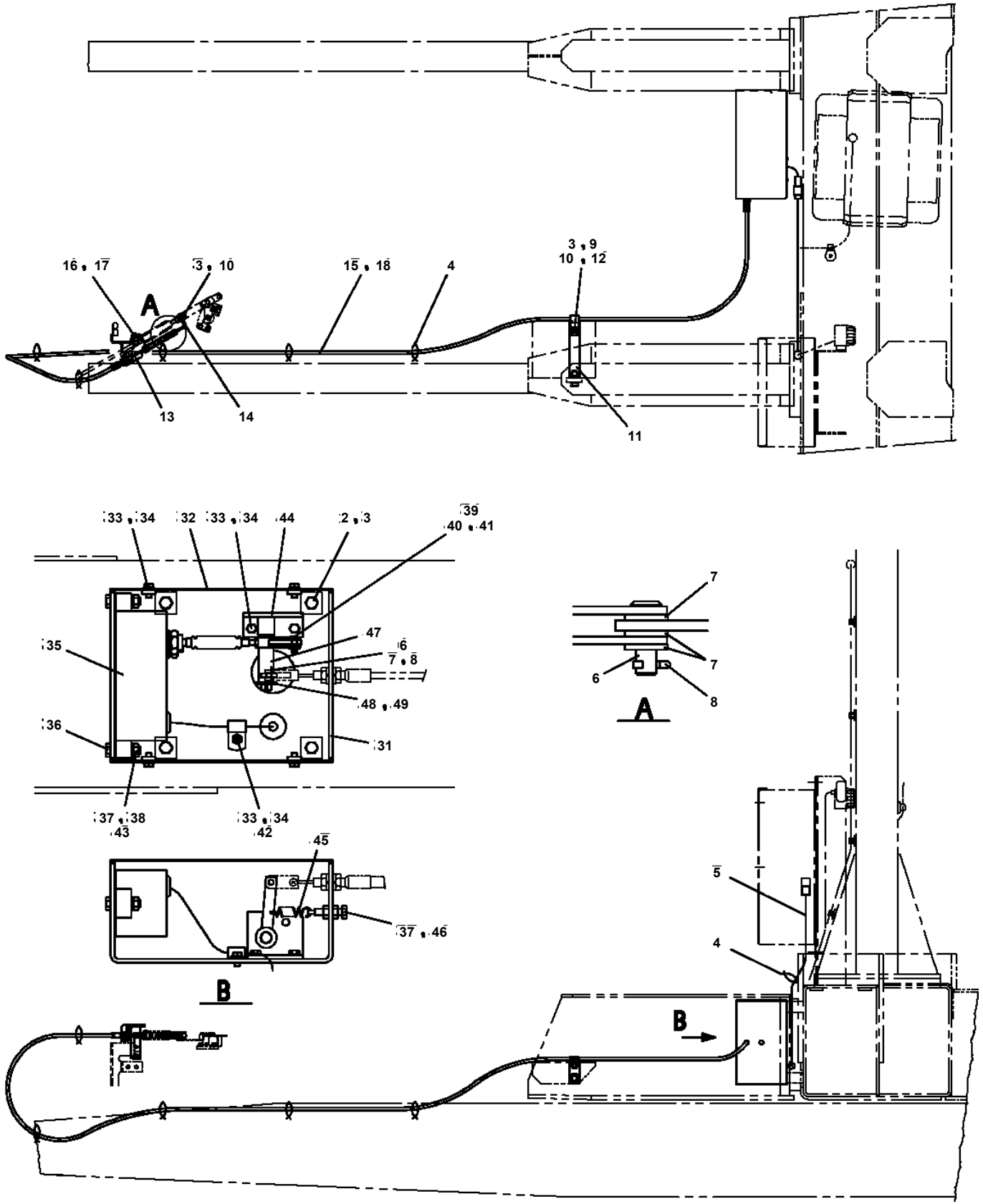


**AT-240-1 42099140300 LOWER,ISUZU FPR33HLX16S93**

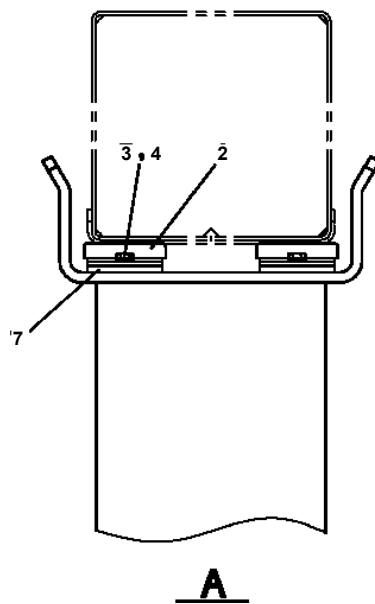
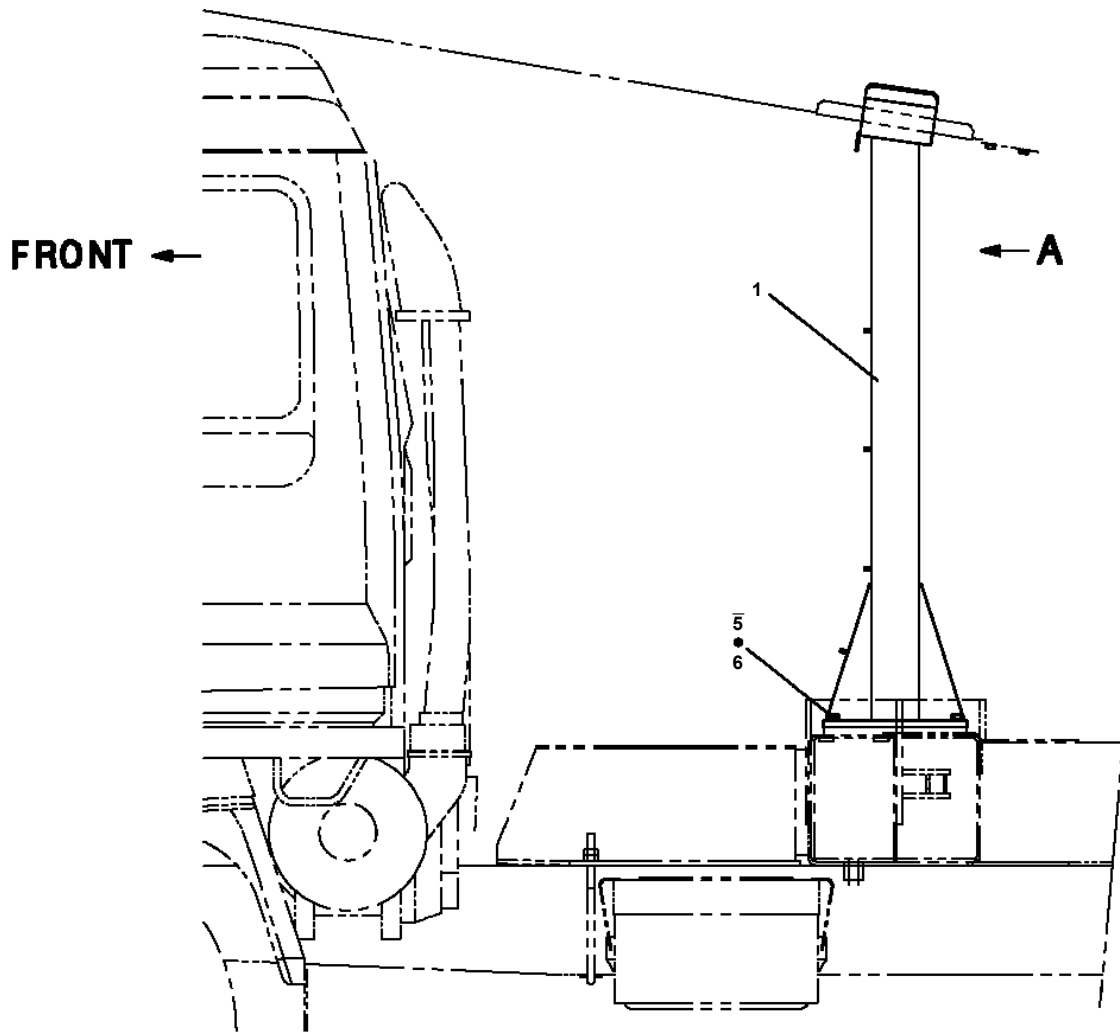
Pos No.	Parts No	Parts Name	Qty	Unit	Technical Data	Serial No (Start)	Serial No (End)	Remarks	Pages
1	36603505010	HOUSING	1						
2	36635615020	VALVE,RELIEF	1						
5	80316030040	PLUG	1		PT1/4				
15	36640765130	O-RING	1						
18	91002801000	O-RING	1		1B P10				
30	36603500000	VALVE,RELIEF	1						

AT-240-1 42099140300 LOWER, ISUZU FPR33HLX16S93  
PL1031002-01 OPE.ASSY, ACCELERATOR

FRONT ←



AT-240-1 42099140300 LOWER, ISUZU FPR33HLX16S93  
PX1120483-00 BOOM REST



CLICK HERE TO **DOWNLOAD** THE COMPLETE MANUAL

- Thank you very much for reading the preview of the manual.
- You can download the complete manual from: [www.heydownloads.com](http://www.heydownloads.com) by clicking the link below



- Please note: If there is no response to CLICKING the link, please download this PDF first and then click on it.

CLICK HERE TO **DOWNLOAD** THE COMPLETE MANUAL