

**AT-195-1 42093131700 LOWER,HINO TPG-XZU642F-TKTSC6**

PB3000144-00 POWER UNIT  
PO1000149-00 INDICATION PLATES  
PX2001863-00 CARRIER UNIT  
PX3000400-00 MOUNTING UNIT  
PY1001671-00 OPTIONS,1  
ASSEMBLY

CLICK HERE TO **DOWNLOAD** THE COMPLETE MANUAL

- Thank you very much for reading the preview of the manual.
- You can download the complete manual from: [www.heydownloads.com](http://www.heydownloads.com) by clicking the link below



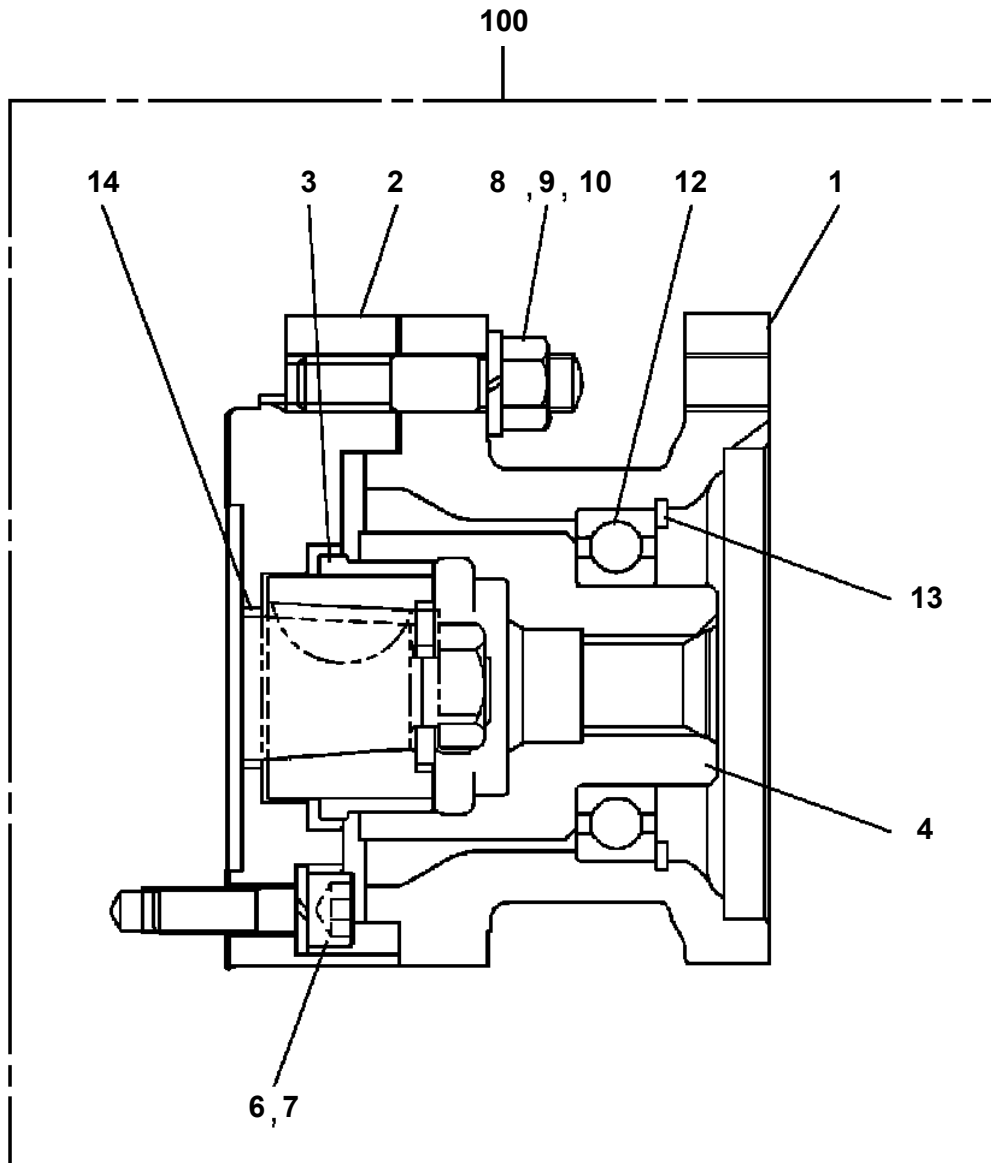
- Please note: If there is no response to CLICKING the link, please download this PDF first and then click on it.

CLICK HERE TO **DOWNLOAD** THE COMPLETE MANUAL

**AT-195-1 42093131700 LOWER,HINO TPG-XZU642F-TKTSC6**

Pos No.	Parts No	Parts Name	Qty	Unit	Technical Data	Serial No (Start)	Serial No (End)
1	(*****)	ALARM ASSY (HINO 08 TYPE)	1				
2	(*****)	GUARD (770X670X200/NO CAPACITY,WITH HOOK)	1				
	(*****)	GUARD ASSY (950X200,WITH HOOK)	1				
3	(*****)	ELEC.ASSY	1				

AT-195-1 42093131700 LOWER,HINO TPG-XZU642F-TKTSC6  
PC5530007-00 COUPLING ASSY



# AT-195-1 42093131700 LOWER,HINO TPG-XZU642F-TKTSC6

Pos No.	Parts No	Parts Name	Qty	Unit	Technical Data	Serial No (Start)	Serial No (End)	Remarks	Pages
100	42936480101	HARNESS	1						

# AT-195-1 42093131700 LOWER,HINO TPG-XZU642F-TKTSC6

Pos No.	Parts No	Parts Name	Qty	Unit	Technical Data	Serial No (Start)	Serial No (End)	Remarks	Pages
1	42715390100	HARNESS	1						000019
2	91810130240	FASTENER	5						

**AT-195-1 42093131700 LOWER,HINO TPG-XZU642F-TKTSC6**

Pos No.	Parts No	Parts Name	Qty	Unit	Technical Data	Serial No (Start)	Serial No (End)	Remarks	Pages
50	36652335010	GASKET	2						
51	36652335020	GASKET	2						
54	53063551010	SEAL,OIL	1						
55	80602110360	RING,RITAINING	1		R36				
100	36652840000	PUMP,OIL (32CC:L)	1						

# AT-195-1 42093131700 LOWER,HINO TPG-XZU642F-TKTSC6

Pos No.	Parts No	Parts Name	Qty	Unit	Technical Data	Serial No (Start)	Serial No (End)	Remarks	Pages
1	82400000520	REFLECTOR	2		RED				

CLICK HERE TO **DOWNLOAD** THE COMPLETE MANUAL

- Thank you very much for reading the preview of the manual.
- You can download the complete manual from: [www.heydownloads.com](http://www.heydownloads.com) by clicking the link below



- Please note: If there is no response to CLICKING the link, please download this PDF first and then click on it.

CLICK HERE TO **DOWNLOAD** THE COMPLETE MANUAL