

AT-147-3 43010132800 LOWER,HINO TKG-XZU600F-TKFSC6

PO1000171-00 INDICATION PLATES

PX2001638-00 CARRIER UNIT

PX3000841-00 MOUNTING UNIT

ASSEMBLY

CLICK HERE TO **DOWNLOAD** THE COMPLETE MANUAL

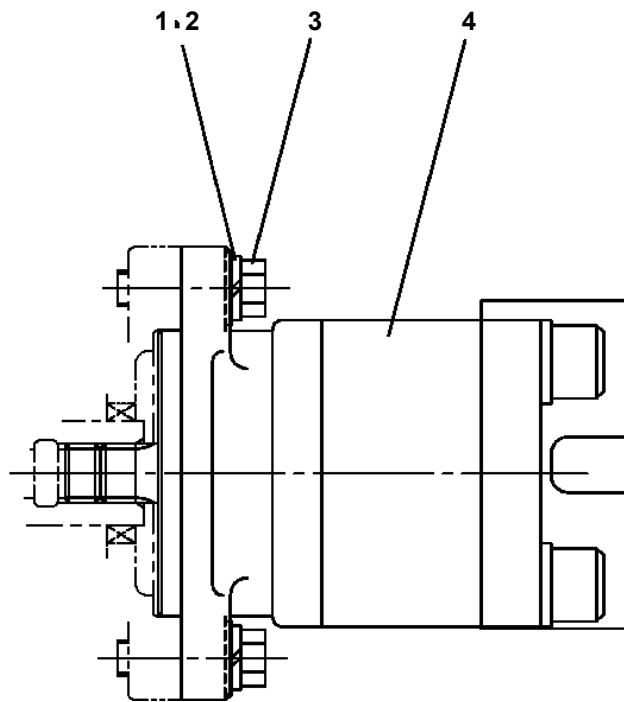
- Thank you very much for reading the preview of the manual.
- You can download the complete manual from: www.heydownloads.com by clicking the link below



- Please note: If there is no response to CLICKING the link, please download this PDF first and then click on it.

CLICK HERE TO **DOWNLOAD** THE COMPLETE MANUAL

**AT-147-3 43010132800 LOWER, HINO TKG-XZU600F-TKFSC6
PB1110007-01 PUMP INSTALLATION**



AT-147-3 43010132800 LOWER,HINO TKG-XZU600F-TKFSC6

Pos No.	Parts No	Parts Name	Qty	Unit	Technical Data	Serial No (Start)	Serial No (End)	Remarks	Pages
30	82182809623	DIODE	1						
36	82182500020	DIODE	1						
40	82182819823	DIODE	1		1.5A				
100	42936620102	HARNESS	1						

AT-147-3 43010132800 LOWER,HINO TKG-XZU600F-TKFSC6

Pos No.	Parts No	Parts Name	Qty	Unit	Technical Data	Serial No (Start)	Serial No (End)	Remarks	Pages
4	36625525010	CONNECTOR	1						
5	91002801800	O-RING	1		1B P18				
30	36625520000	VALVE,CHECK	1						

AT-147-3 43010132800 LOWER,HINO TKG-XZU600F-TKFSC6

Pos No.	Parts No	Parts Name	Qty	Unit	Technical Data	Serial No (Start)	Serial No (End)	Remarks	Pages
1	42941440010	PLATE,NAME	1						
2	37002224450	PLATE,NAME	1						

AT-147-3 43010132800 LOWER,HINO TKG-XZU600F-TKFSC6

Pos No.	Parts No	Parts Name	Qty	Unit	Technical Data	Serial No (Start)	Serial No (End)	Remarks
5	82182819823	DIODE	1		1.5A			
9	34354781710	RELAY (WITH BRACKET)	1					
100	34354781740	RELAY	1					

AT-147-3 43010132800 LOWER,HINO TKG-XZU600F-TKFSC6

Pos No.	Parts No	Parts Name	Qty	Unit	Technical Data	Serial No (Start)	Serial No (End)	Remarks	Pages
1	31790650100	COUPLING	1						
2	80720104040	PIN,SPRING	1		4X40				
50	31790650000	COUPLING	1						

CLICK HERE TO **DOWNLOAD** THE COMPLETE MANUAL

- Thank you very much for reading the preview of the manual.
- You can download the complete manual from: www.heydownloads.com by clicking the link below



- Please note: If there is no response to CLICKING the link, please download this PDF first and then click on it.

CLICK HERE TO **DOWNLOAD** THE COMPLETE MANUAL