

AT-146-3 43011132400 LOWER,HINO BDG-XZU354E-TKMSD6

PO1000171-00 INDICATION PLATES

PX2001341-00 CARRIER UNIT

PX3000520-00 MOUNTING UNIT

ASSEMBLY

CLICK HERE TO **DOWNLOAD** THE COMPLETE MANUAL

- Thank you very much for reading the preview of the manual.
- You can download the complete manual from: www.heydownloads.com by clicking the link below



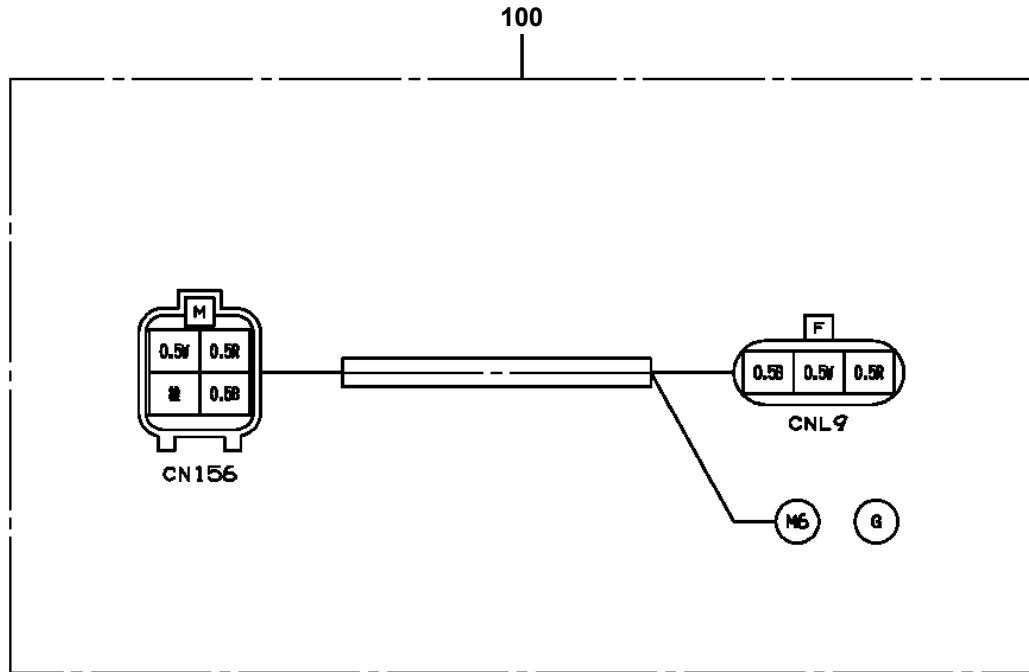
- Please note: If there is no response to CLICKING the link, please download this PDF first and then click on it.

CLICK HERE TO **DOWNLOAD** THE COMPLETE MANUAL

AT-146-3 43011132400 LOWER,HINO BDG-XZU354E-TKMSD6

Pos No.	Parts No	Parts Name	Qty	Unit	Technical Data	Serial No (Start)	Serial No (End)	Remarks	Page
1	90303071001	WASHER,PLAIN	2		10				
2	90302041001	WASHER,SPRING	2		10				
3	90174110035	BOLT	2		M10X35				
4	36652840000	PUMP,OIL (32CC:L)	1						00002

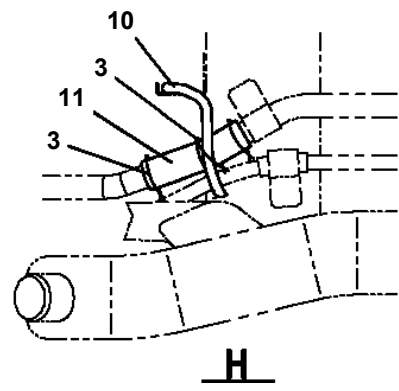
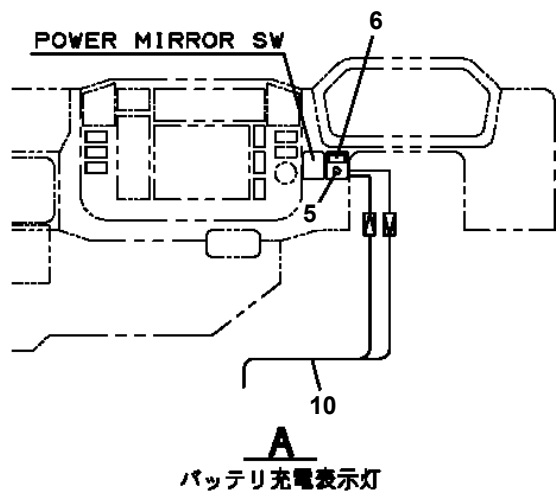
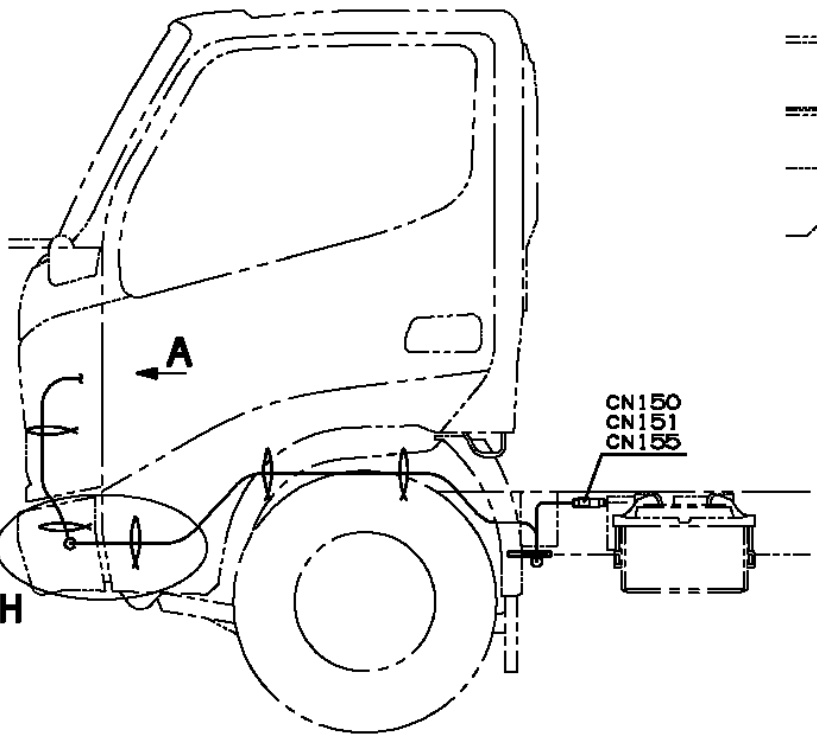
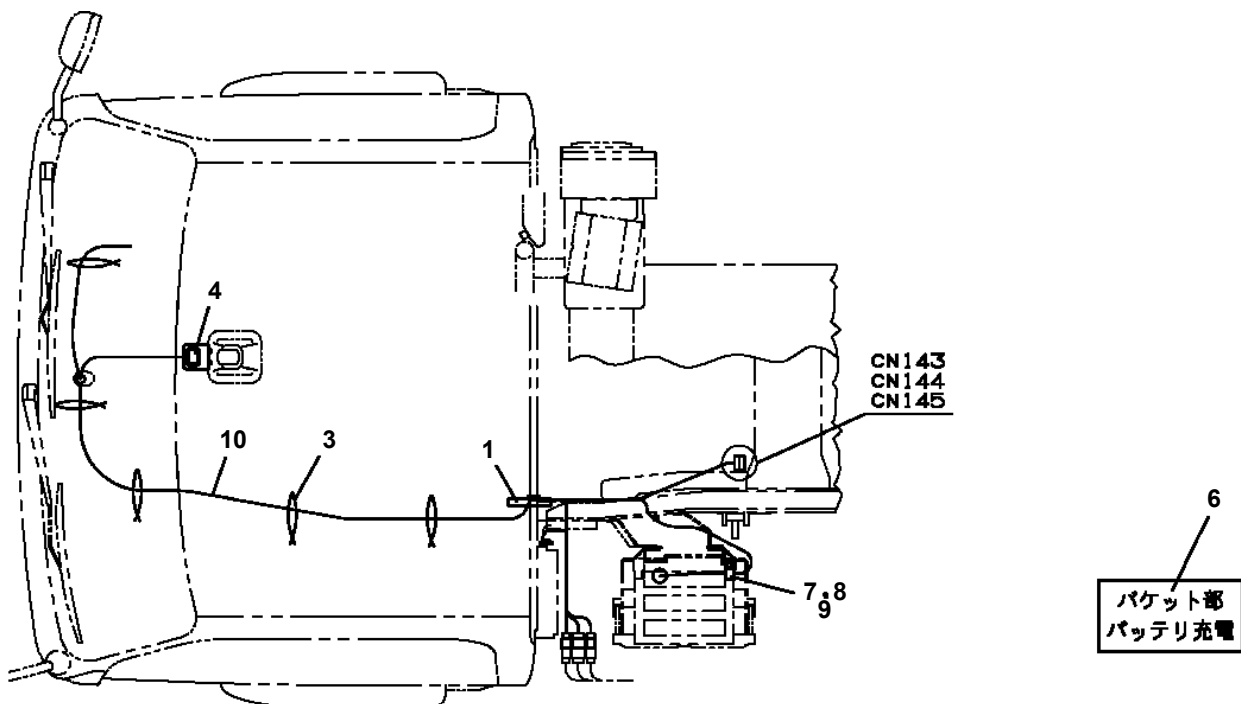
AT-146-3 43011132400 LOWER,HINO BDG-XZU354E-TKMSD6
PH5033876-00 HARNESS



AT-146-3 43011132400 LOWER,HINO BDG-XZU354E-TKMSD6

Pos No.	Parts No	Parts Name	Qty	Unit	Technical Data	Serial No (Start)	Serial No (End)	Remarks	Pages
1	42846780100	WEIGHT	1						
2	90101212070	BOLT	2		M12X70				
3	90302041201	WASHER,SPRING	6		12				
4	42844750100	WEIGHT	1						
5	90101210030	BOLT	4		M10X30				
6	90302041001	WASHER,SPRING	4		10				
7	42846420201	WEIGHT	1						
8	90101216025	BOLT	2		M16X25				
9	90302041601	WASHER,SPRING	2		16				
10	42846420400	WEIGHT	1						
11	90101212035	BOLT	4		M12X35				

AT-146-3 43011132400 LOWER, HINO BDG-XZU354E-TKMSD6
 PN1015087-01 ELEC.ASSY (CARRIER)

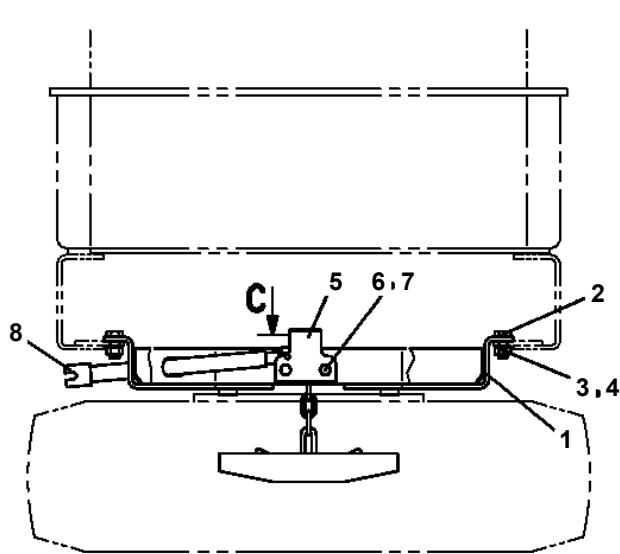
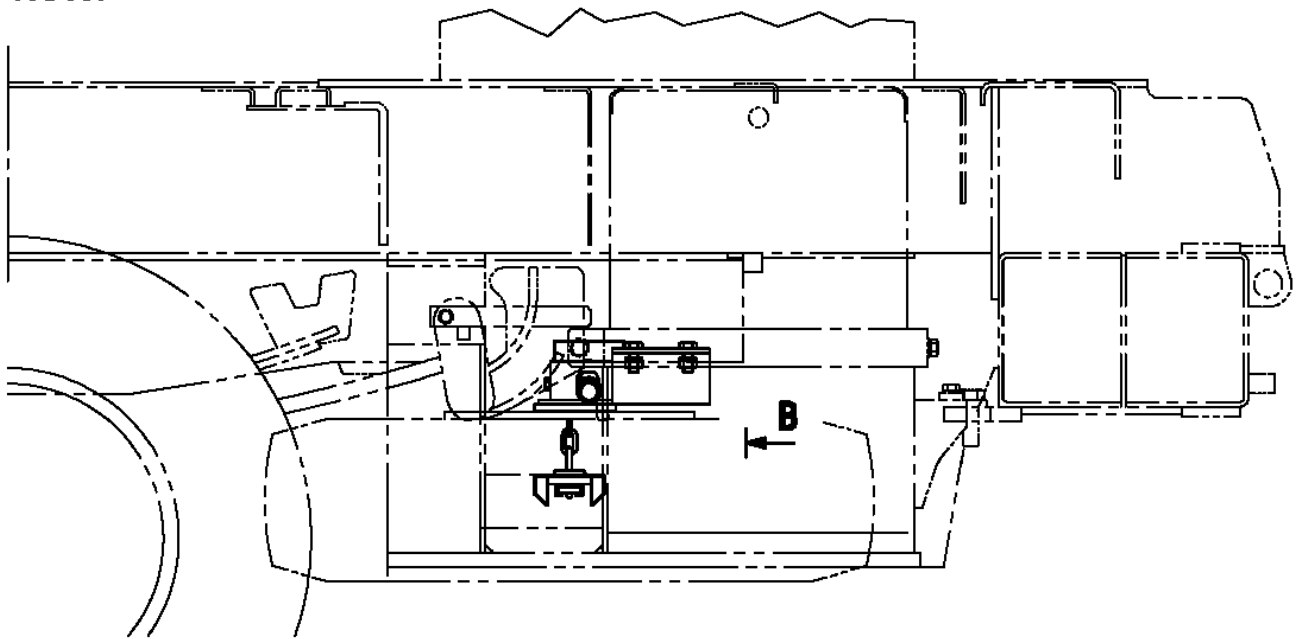


AT-146-3 43011132400 LOWER,HINO BDG-XZU354E-TKMSD6

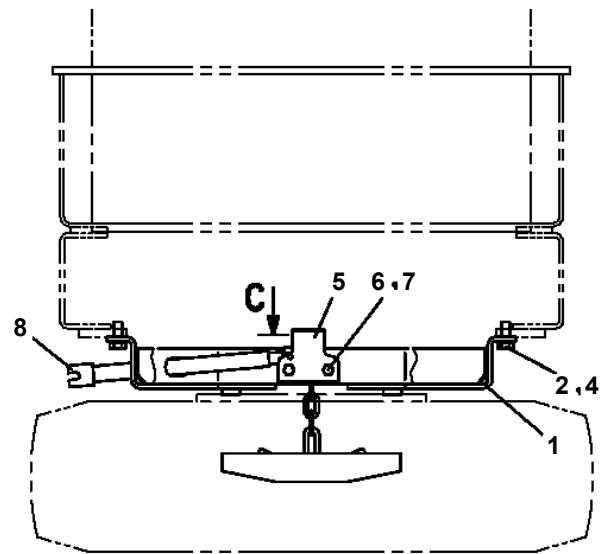
Pos No.	Parts No	Parts Name	Qty	Unit	Technical Data	Serial No (Start)	Serial No (End)	Remarks
5	82182819823	DIODE	1		1.5A			
9	34354781710	RELAY (WITH BRACKET)	1					
100	34354781720	RELAY (WITH HARNESS)	1					

AT-146-3 43011132400 LOWER,HINO BDG-XZU354E-TKMSD6
 PX1410231-01 MOUNT,TIRE

FRONT ←

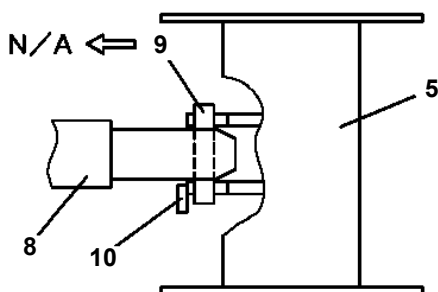


三菱・日野・トヨタ・日産・日デの場合

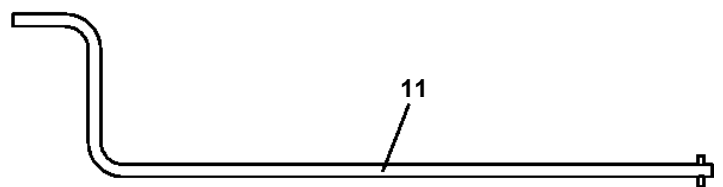


いすゞの場合

B



C



キャブ内積込み

CLICK HERE TO **DOWNLOAD** THE COMPLETE MANUAL

- Thank you very much for reading the preview of the manual.
- You can download the complete manual from: www.heydownloads.com by clicking the link below



- Please note: If there is no response to CLICKING the link, please download this PDF first and then click on it.

CLICK HERE TO **DOWNLOAD** THE COMPLETE MANUAL