

**AT-146-3 43011132200 LOWER,HINO BDG-XZU354E-TKMSD6**

PO1000171-00 INDICATION PLATES

PX2001183-00 CARRIER UNIT

PX3000619-00 MOUNTING UNIT

ASSEMBLY

CLICK HERE TO **DOWNLOAD** THE COMPLETE MANUAL

- Thank you very much for reading the preview of the manual.
- You can download the complete manual from: [www.heydownloads.com](http://www.heydownloads.com) by clicking the link below



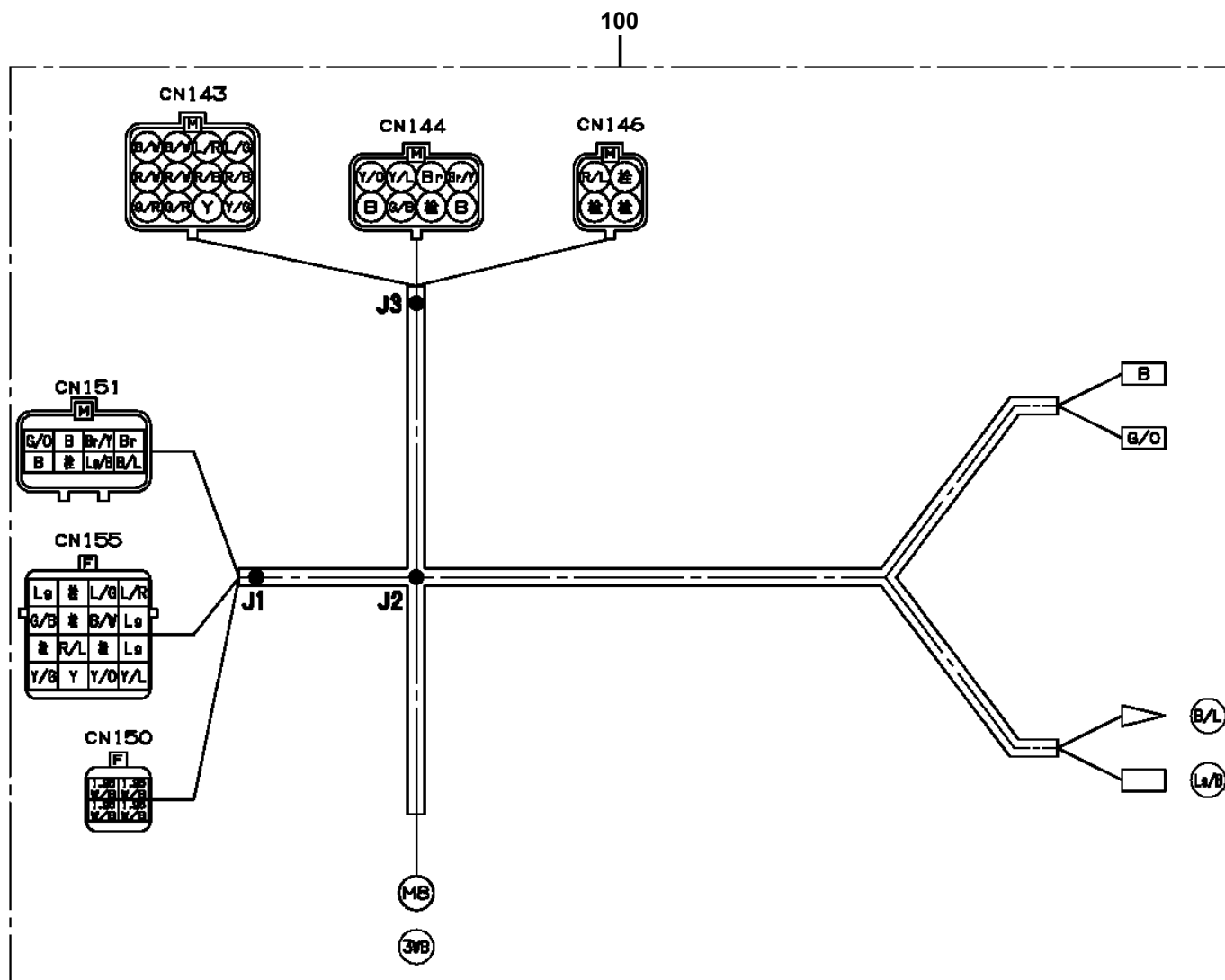
- Please note: If there is no response to CLICKING the link, please download this PDF first and then click on it.

CLICK HERE TO **DOWNLOAD** THE COMPLETE MANUAL

**AT-146-3 43011132200 LOWER,HINO BDG-XZU354E-TKMSD6**

Pos No.	Parts No	Parts Name	Qty	Unit	Technical Data	Serial No (Start)	Serial No (End)	Remarks	Page
1	90303071001	WASHER,PLAIN	2		10				
2	90302041001	WASHER,SPRING	2		10				
3	90174110035	BOLT	2		M10X35				
4	36652840000	PUMP,OIL (32CC:L)	1						00003

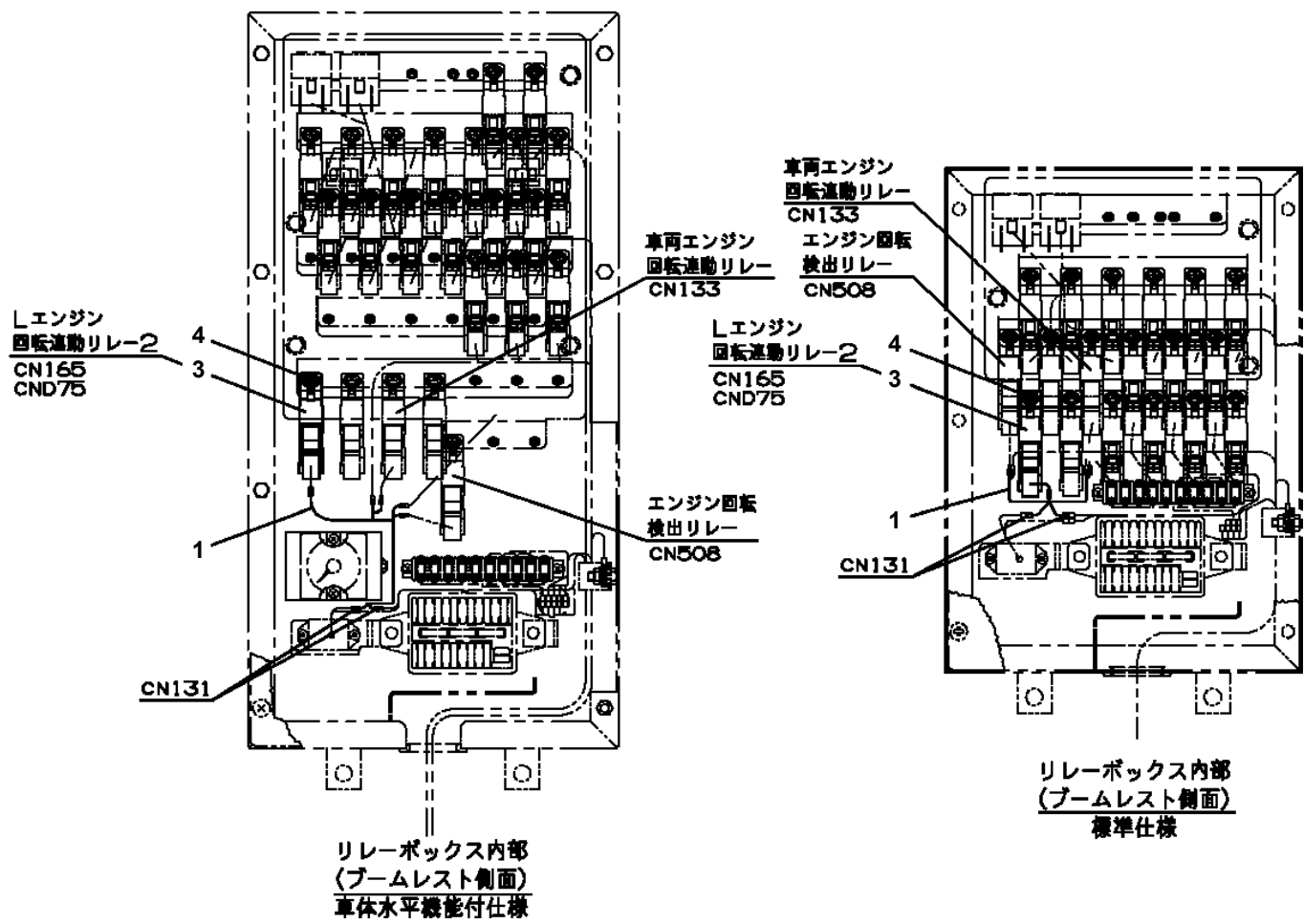
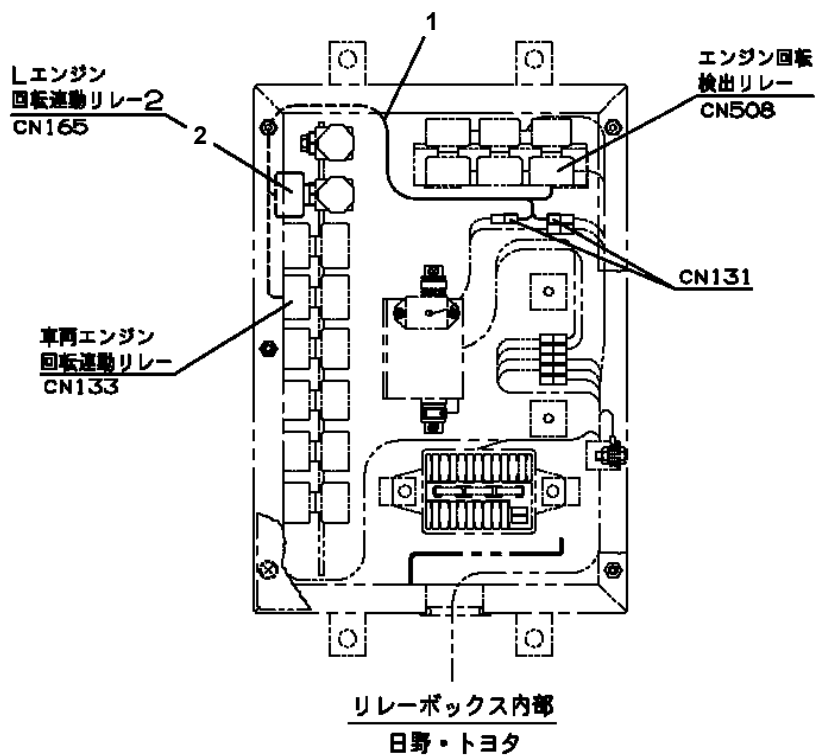
AT-146-3 43011132200 LOWER,HINO BDG-XZU354E-TKMSD6  
PH5032373-00 HARNESS



# AT-146-3 43011132200 LOWER,HINO BDG-XZU354E-TKMSD6

Pos No.	Parts No	Parts Name	Qty	Unit	Technical Data	Serial No (Start)	Serial No (End)	Remarks	Pages
100	42808000200	HARNESS	1						

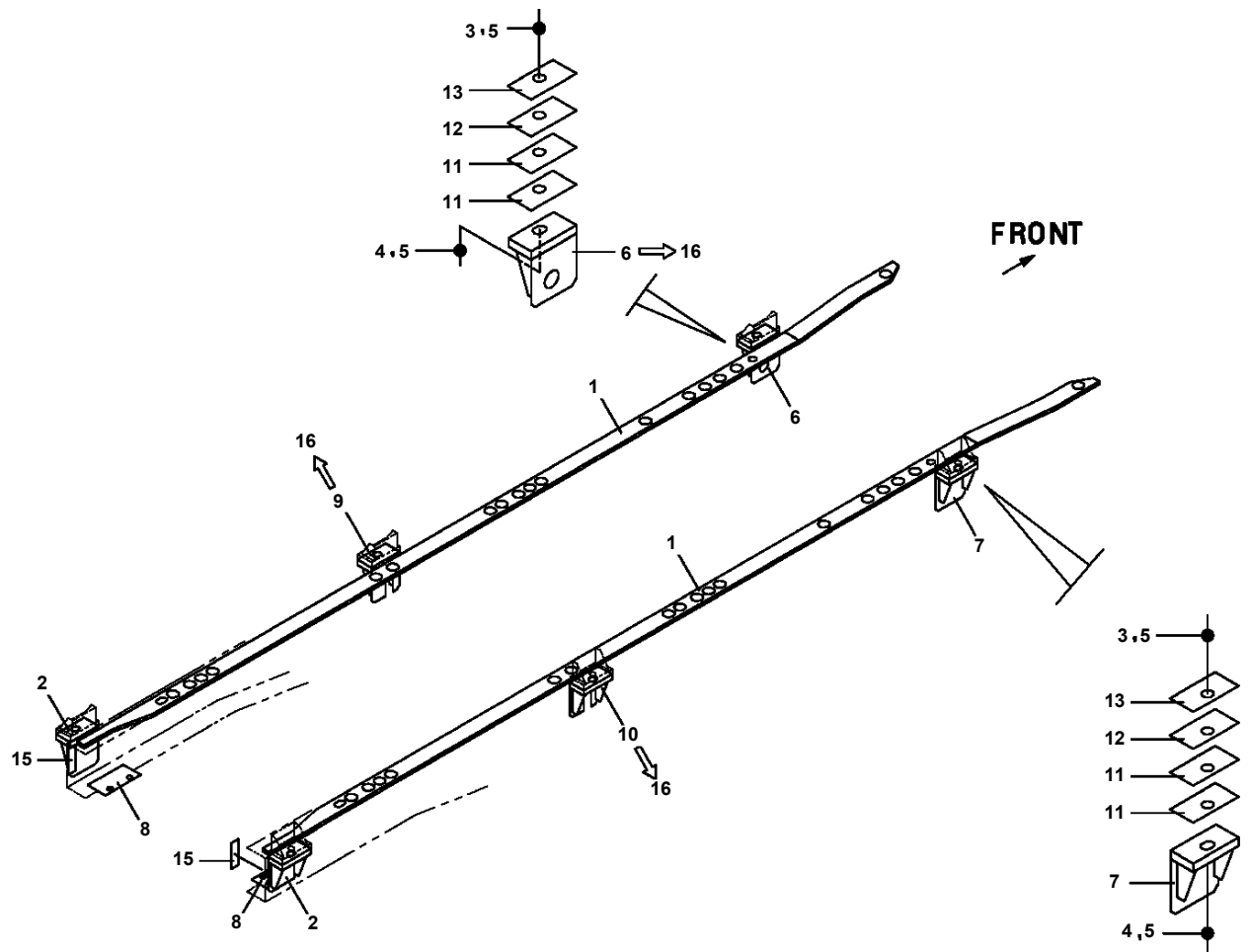
AT-146-3 43011132200 LOWER,HINO BDG-XZU354E-TKMSD6  
 PN1014621-01 ELEC.ASSY



# AT-146-3 43011132200 LOWER,HINO BDG-XZU354E-TKMSD6

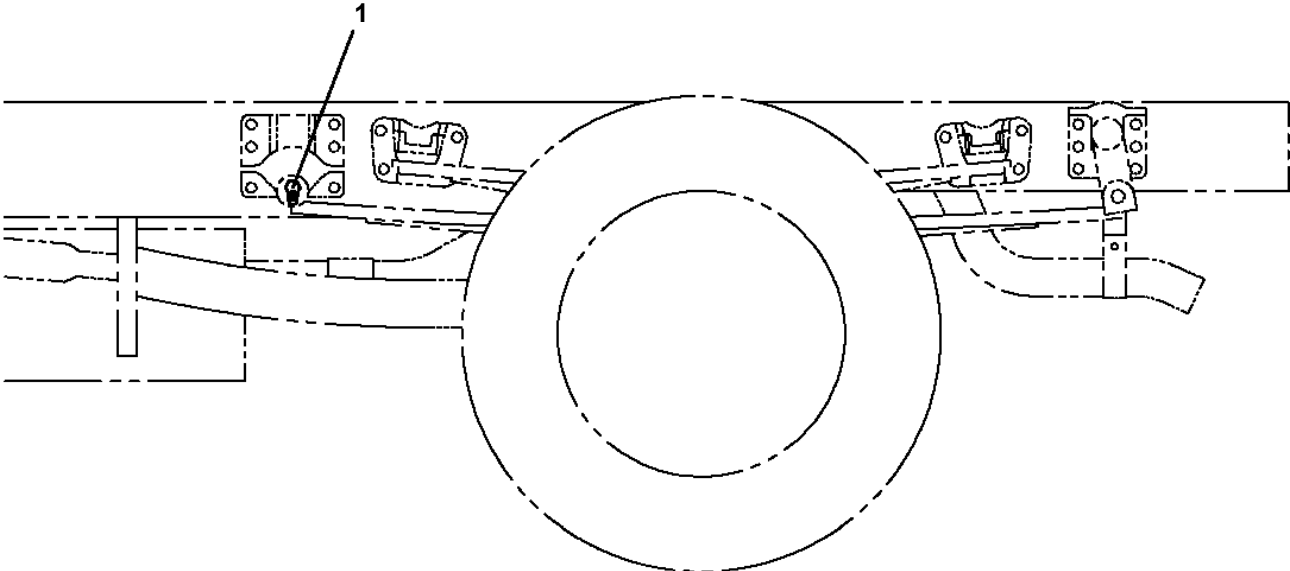
Pos No.	Parts No	Parts Name	Qty	Unit	Technical Data	Serial No (Start)	Serial No (End)	Remarks	Pages
1	82444100500	PLATE,NAME	1						

AT-146-3 43011132200 LOWER, HINO BDG-XZU354E-TKMSD6  
PX1170776-01 ATTACHMENT PARTS, CRANE FRAME



**AT-146-3 43011132200 LOWER,HINO BDG-XZU354E-TKMSD6  
PX1390907-00 MODIFICATION PARTS (HINO,TOYOTA/GREASE NIPPLE)**

**FRONT ←**



CLICK HERE TO **DOWNLOAD** THE COMPLETE MANUAL

- Thank you very much for reading the preview of the manual.
- You can download the complete manual from: [www.heydownloads.com](http://www.heydownloads.com) by clicking the link below



- Please note: If there is no response to CLICKING the link, please download this PDF first and then click on it.

CLICK HERE TO **DOWNLOAD** THE COMPLETE MANUAL