

AT-146-1 42095100073 UPPER

**PD2000171-00 SWING UNIT
PF1000474-00 WINCH SYSTEM
PG2000213-00 BOOM UNIT
PH1000399-00 SAFETY DEVICES
PJ3000454-00 BUCKET SYSTEM
PJ5000003-00 BOOSTER UNIT
PK2000253-00 FRAME UNIT
PO1000131-03 INDICATION PLATES
PY1001060-00 OPTIONS,1
PY2000028-00 OPTIONS,2
ASSEMBLY**

CLICK HERE TO **DOWNLOAD** THE COMPLETE MANUAL

- Thank you very much for reading the preview of the manual.
- You can download the complete manual from: www.heydownloads.com by clicking the link below



- Please note: If there is no response to CLICKING the link, please download this PDF first and then click on it.

CLICK HERE TO **DOWNLOAD** THE COMPLETE MANUAL

AT-146-1 42095100073 UPPER

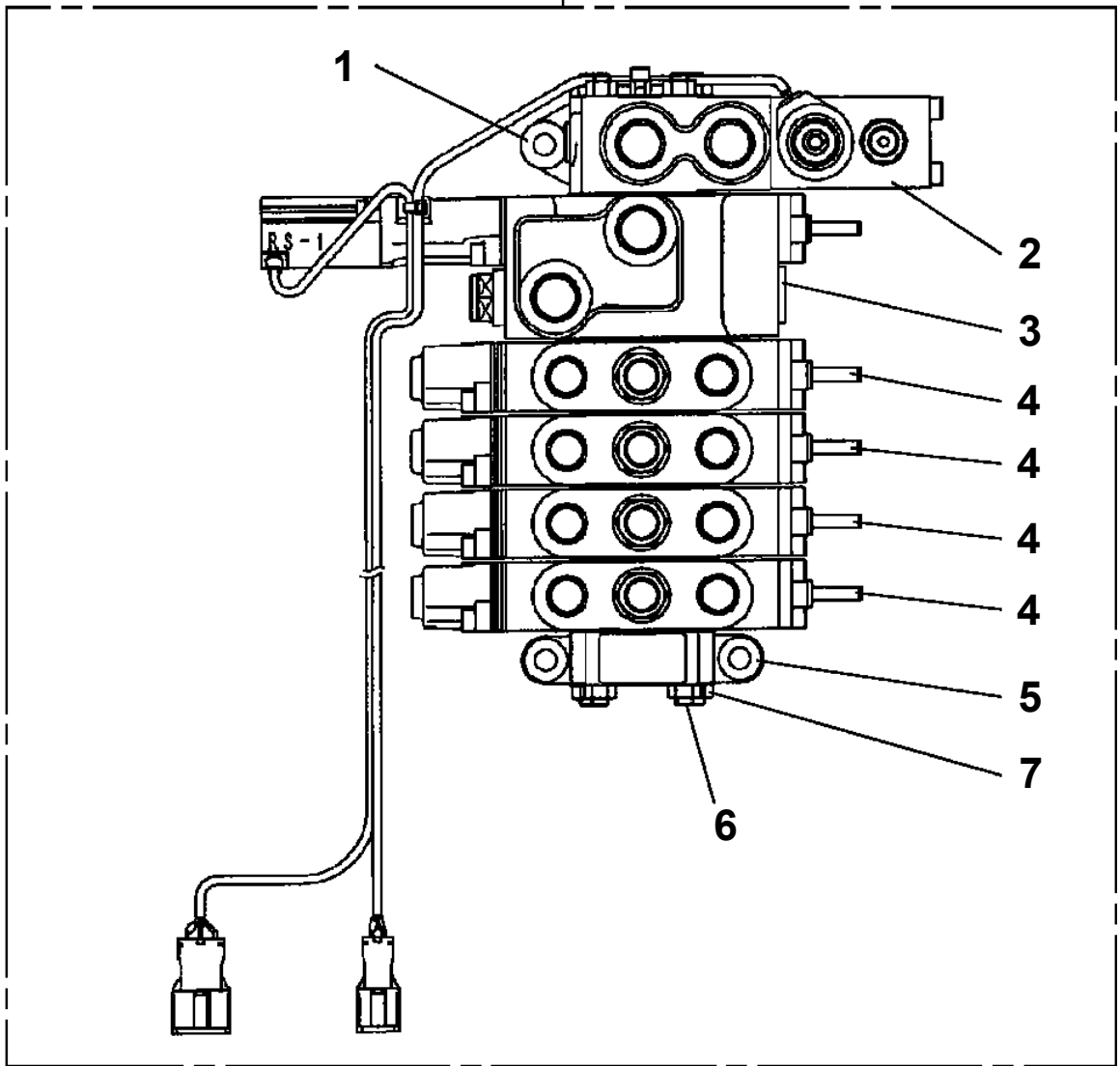
Pos No.	Parts No	Parts Name	Qty	Unit	Technical Data	Serial No (Start)	Serial No (End)
1	(*****)	FRAME	1				
2	(*****)	PIPING (BUCKET)	1				
3	(*****)	ELEC.ASSY (BUCKET)	1				
4	(*****)	OPE.ASSY	1				
5	(*****)	LAMP	1				
6	(*****)	PIPING,GREASE	1				
11	(*****)	BUCKET	1				
12	(*****)	BUCKET (INNER CASE)	1				
13	(*****)	COVER (FRP,BLUE)	1				
14	(*****)	COVER,BOOM (TOP/FRP,BLUE)	1				
15	42265173000	COVER (CLOTH,BLUE)	1				
16	42470341000	ACCESSORIES (BUCKET INNER MAT)	1				
17	(*****)	COVER,BOOM (2ND/FRP,BLUE)	1				

AT-146-1 42095100073 UPPER

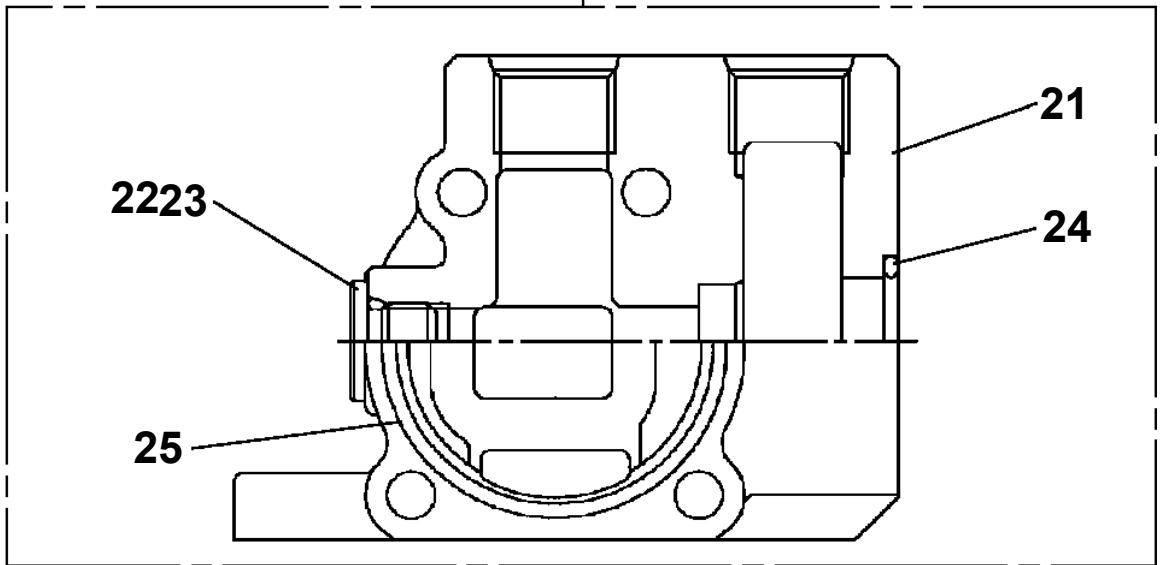
Pos No.	Parts No	Parts Name	Qty	Unit	Technical Data	Serial No (Start)
1	42473340000	STEP,BUCKET	2			
2	42473190000	CUTTER HEAD (IZUMI 6.4TON 2.5M ELECTRICSANWA)	1			
3	42473850000	CLAMP HEAD (IZUMI 8TO,3.5M)	1			
4	42470050000	ROPE (SAFETY,1.5M,WITH HOOK)	2			
5	42475930000	HANGER (FOR BUCKET,FRP)	2			
6	(*****)	SUPPORT	1			
7	42470330000	ROPE (SAFETY,YELLOW:TD-TYPE)	2			
	42472670000	ROPE (SAFETY,WHITE)	2			
9	42472990000	BOX,TOOL (FOR BUCKET)	1			
	42472530000	BOX,TOOL (FOR BUCKET)	1			

AT-146-1 42095100073 UPPER
PB1320537-01 VALVE,MANUAL CONTROL

200



1



AT-146-1 42095100073 UPPER

Pos No.	Parts No	Parts Name	Qty	Unit	Technical Data	Serial No (Start)	Serial No (End)
300	36637850000	VALVE,MANUAL CONTROL	1				

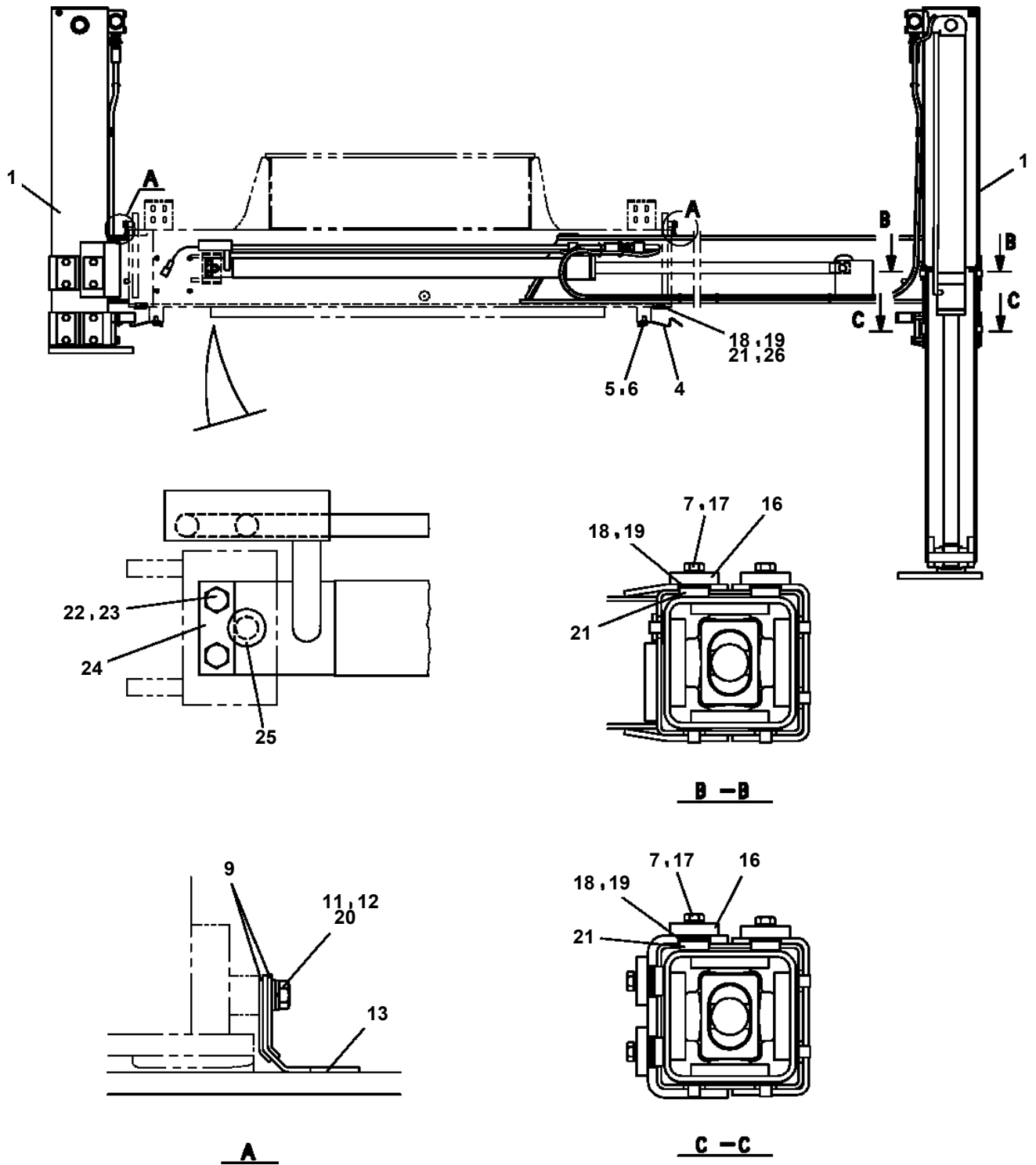
AT-146-1 42095100073 UPPER

Pos No.	Parts No	Parts Name	Qty	Unit	Technical Data	Serial No (Start)	Serial No (End)	Remarks	Pages
1	42420501100	BLOWER	1						
2	90101205012	BOLT	4		M5X12				
3	90302040501	WASHER,SPRING	8		5				
4	90303070501	WASHER,PLAIN	8		5				
5	82161902050	RELAY	1						
6	80172305016	SCREW,MACHINE	4		M5X16				
7	90302040801	WASHER,SPRING	2		8				
8	90101208012	BOLT	2		M8X12				
9	82100002040	CLAMP	1		WE15				
10	42421343810	CABLE ASSY	1						
11	82100001216	CAP	1						
12	82100002017	CLAMP	1		WR30				
13	90302040601	WASHER,SPRING	1		6				
14	90101206010	BOLT	1		M6X1.0				
15	82100002010	CLAMP	1		WR15				
16	42421343820	GUIDE	1						
31	42420507510	CLAMP	1						

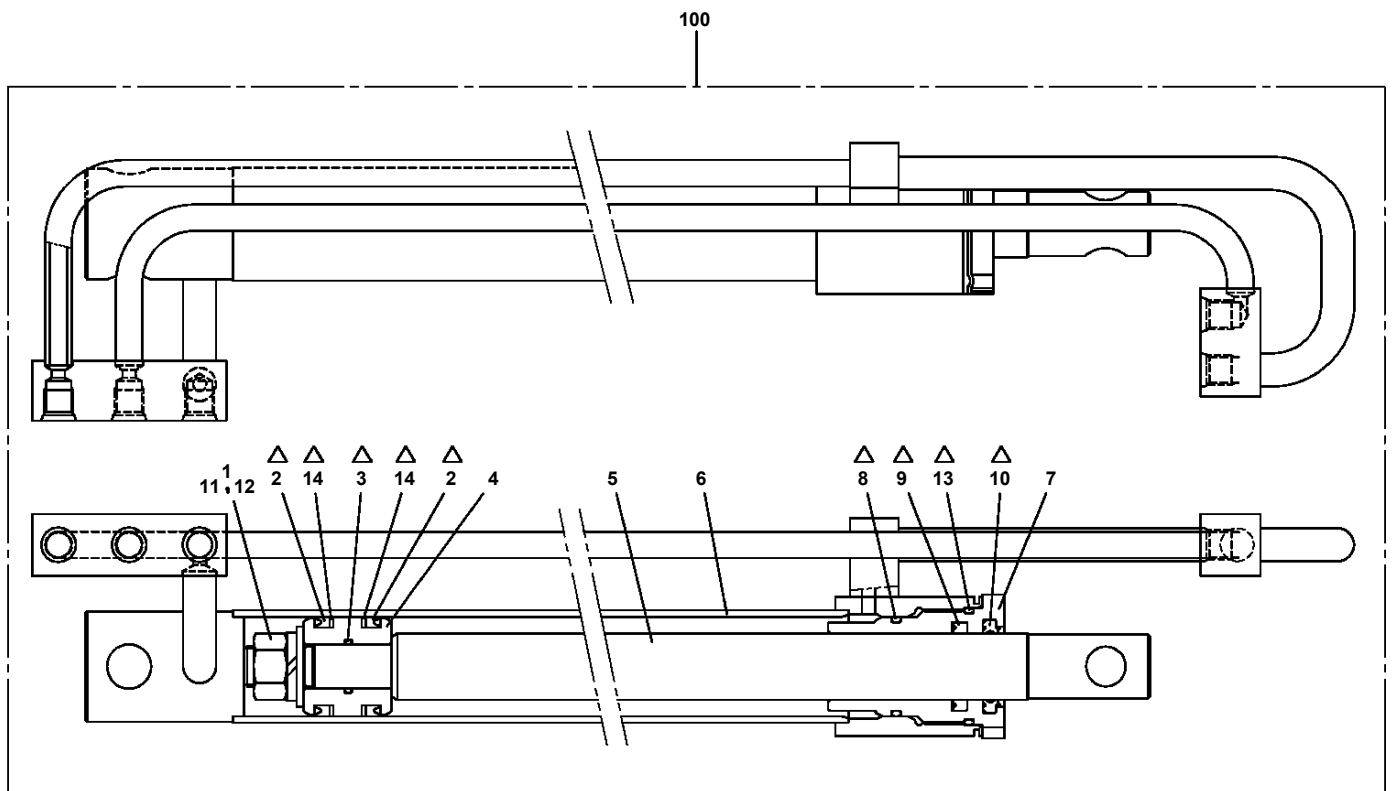
AT-146-1 42095100073 UPPER

Pos No.	Parts No	Parts Name	Qty	Unit	Technical Data	Serial No (Start)	Serial No (End)
2	42420082301	SUPPORT	1				
3	90101212020	BOLT	2		M12X20		
4	90303071201	WASHER,PLAIN	2		12		
5	90302041201	WASHER,SPRING	2		12		
6	42421461100	SUPPORT	1				
7	42421347100	CABLE ASSY	1				
8	91810132530	FASTENER	10				
9	82100001802	TUBE,CORRUGATE	2	M	10		
13	42738981000	TANK ASSY (BATTERY,WATER)	1				
14	42420082101	BATTERY ASSY	2		24V		
15	42421893000	BATTERY ASSY (WATER REFILLING)	2				
41	42420087510	BATTERY	24		2V		
42	42420087540	SENSOR (BATTERY FLUIDLEVEL)	2				
43	42420087530	LAMP ASSY (RED+GREEN LAMP)	2				
44	42420397540	CAP (WITH FLOAT)	22				

AT-146-1 42095100073 UPPER
PC1010956-00 OUTRIGGER (REAR/MOUNT)



**AT-146-1 42095100073 UPPER
PC1050221-00 CYLINDER,EXTENSION (FRONT)**



Δ:PACKING SET KEY NO.30 (KEY NO.2,3,8,9,10,13,14)

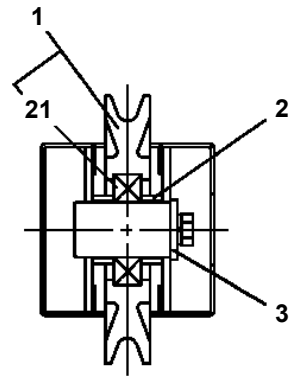
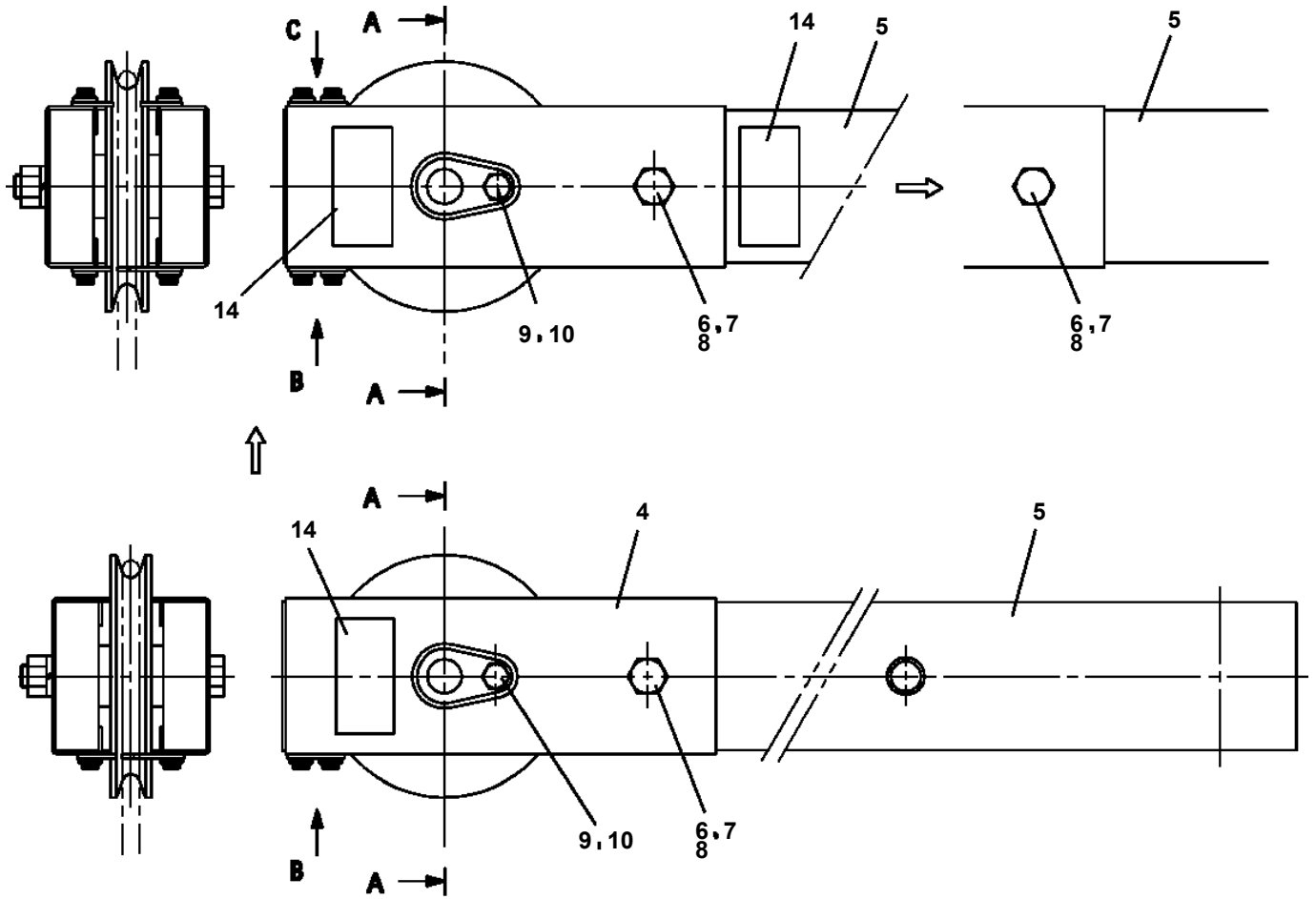
AT-146-1 4209510073 UPPER

Pos No.	Parts No	Parts Name	Qty	Unit	Technical Data	Serial No (Start)	Serial No (End)	Remarks
3	91280439941	SEAL,OIL	1					
4	36081565010	CASE,GEAR	1					
5	80515006312	BEARING,BALL	1					
6	36081395040	KEY	1					
7	36081395050	WHEEL,WORM	1		4X32-34			
8	90102510025	BOLT	6		M10X25			
9	90302041001	WASHER,SPRING	6		10			
10	80516006211	BEARING,BALL	1					
11	80601110550	RING,RITAINING	1		S55			
12	36081395060	CASE,GEAR	1					
13	36072725350	BEARING,TAPER ROLLER	1					
14	36081395070	WORM	1		4X20			
15	36081325110	BEARING,TAPER ROLLER	1					
16	36081325080	SHIM SET	1					
17	36081325010	SPACER	1					
18	36081325090	RING,SNAP	1					
19	36080495090	GAUGE,OIL	1					
20	36080235080	WASHER,SEAL	1		M16			
21	80316090040	PLUG SOCKET	1		R1/4			
31	36081395500	GEAR,SPUR	1					
50	36081560000	REDUCER,SWING SPEED	1					

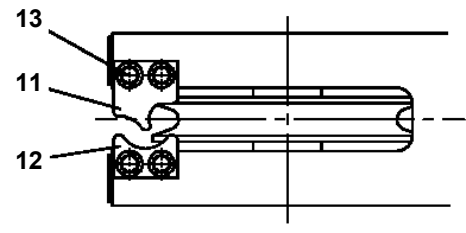
AT-146-1 4209510073 UPPER

Pos No.	Parts No	Parts Name	Qty	Unit	Technical Data	Serial No (Start)	Serial No (End)	Rem
22	91001004500	O-RING	1		S45			
23	91001207000	O-RING	1		1A G70			
24	36026412000	PISTON	1					
25	91300009500	BEARING,PLAIN	1					
26	91002802600	O-RING	1		1B P26			
29	80612110520	RING,RITAINING	1		AR52			
30	91002909000	O-RING	1		1B G90			
31	80801004525	BEARING,PLAIN	1					
32	91694004500	PACKING	1					
33	91410204502	RING,BACKUP	1					
34	91660004501	SEAL,DUST	1					
35	36025230060	COVER	1					
36	80541700030	BEARING,SPHERICAL (NTN)	1		SA4-30B			
37	80820003030	BEARING,PLAIN	2					
38	80720105025	PIN,SPRING	1		5X25			
39	82455106000	NIPPLE,GREASE	1		A-M6F FE			
40	91684009500	PACKING	2					
41	91411208002	RING,BACKUP	2					
42	91002909500	O-RING	1		1B G95			
43	82400000459	CAP	1					
51	36026429510	CYLINDER ASSY	1					
52	36026429520	ROD ASSY	1					
53	36026419530	COVER,ROD	1					
54	36026419900	PACKING SET	1					
62	42360120030	CONNECTOR	1					
91	82100002132	CONNECTOR	1					
200	42491050000	CYLINDER,LEVELING (LOWER)	1					

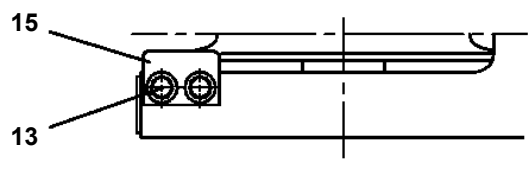
**AT-146-1 42095100073 UPPER
PF1350036-02 WINCH, JIB (VINYL COATING, YELLOW)**



A-A



B

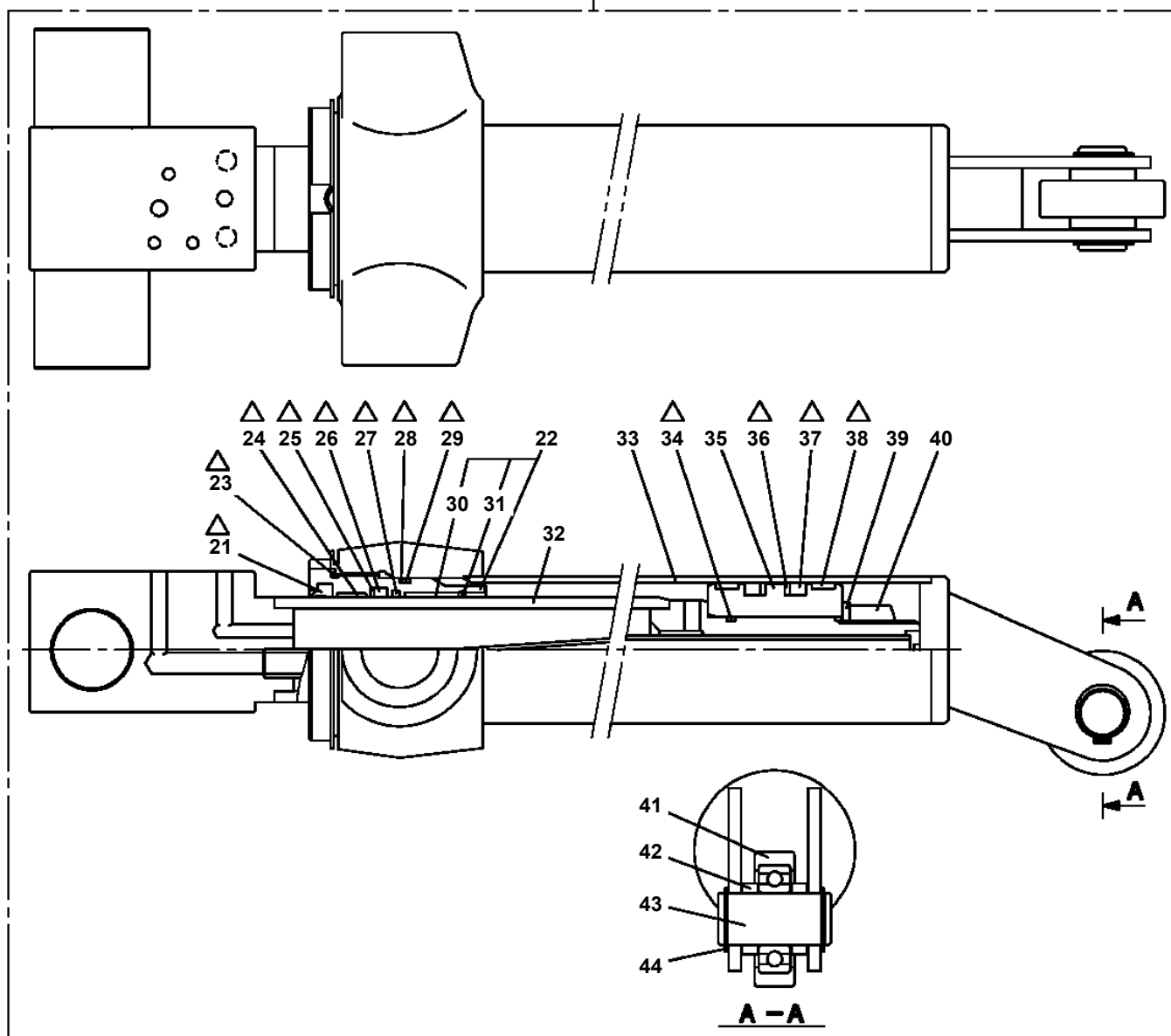
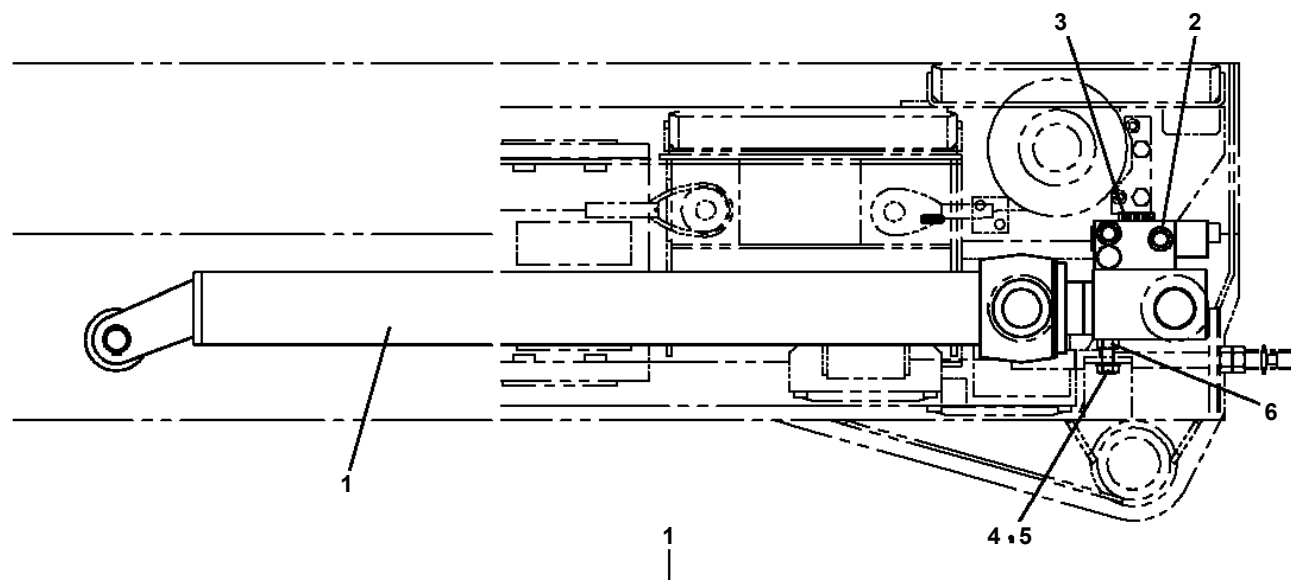


C

AT-146-1 42095100073 UPPER

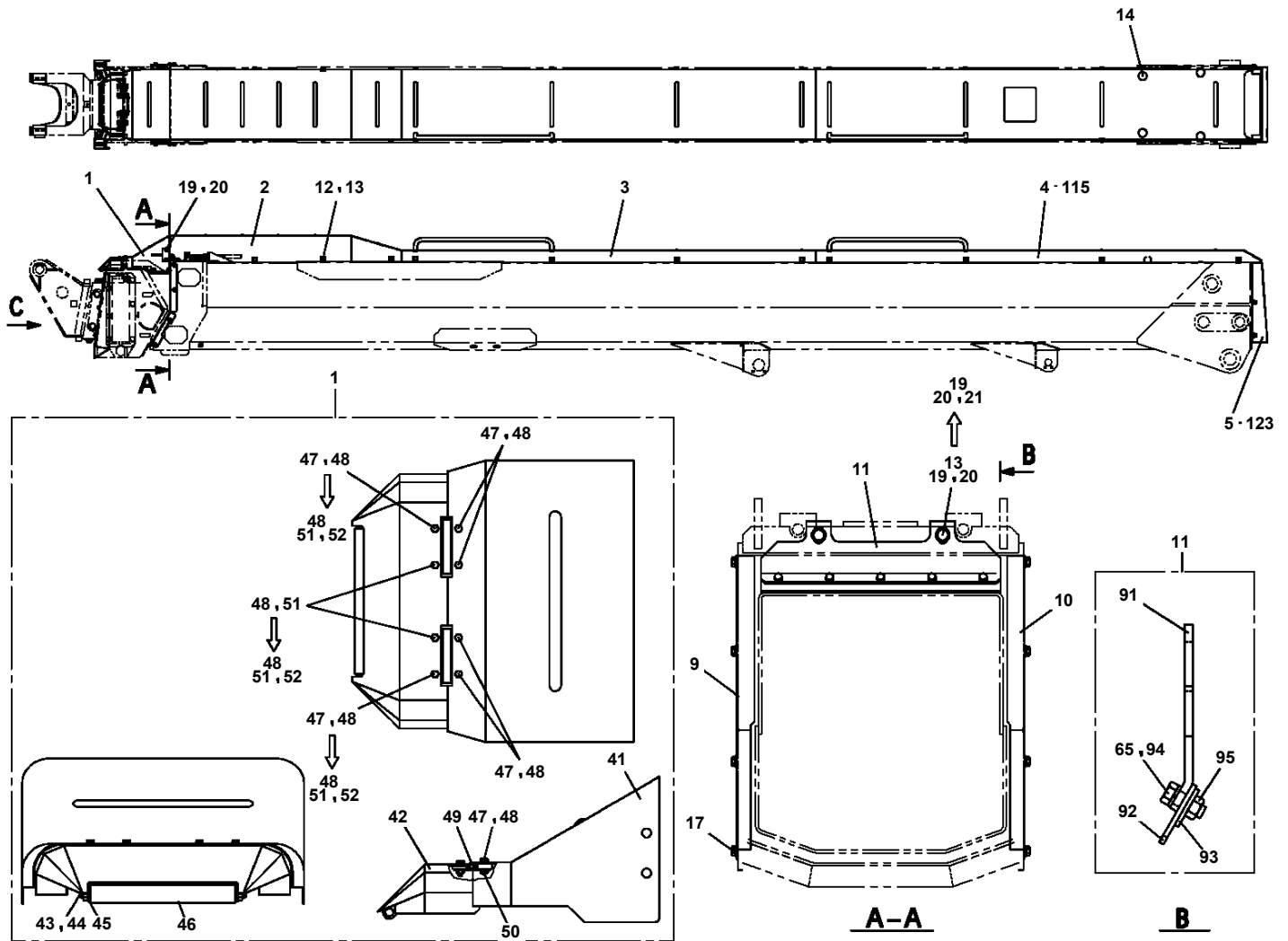
Pos No.	Parts No	Parts Name	Qty	Unit	Technical Data	Serial No (Start)	Serial No (End)
1	36053549510	CYLINDER	1				
2	36052881500	PISTON	1				
3	80612110450	RING,RITAINING	1		AR45		
4	80801003020	BEARING,PLAIN	4				
5	91350207000	BEARING,PLAIN (WITH PACKINGX2)	1				
6	36052889520	ROD ASSY	1				
7	36052889530	COVER,ROD	1				
8	91002906500	O-RING	1		1B G65		
9	91694004000	PACKING	1				
10	91410204001	RING,BACKUP	1				
11	91660004001	SEAL,DUST	1				
12	91002802800	O-RING	1		1B P28		
13	82456101000	NIPPLE,GREASE	1		A-PT1/8		
14	80801004020	BEARING,PLAIN	1				
15	91002907000	O-RING	1		1B G70		
16	90710005060	SCREW,SET	1		M5X6		
17	82400000459	CAP	1				
40	36052889900	PACKING SET (40X70)	1				
50	36053540000	CYLINDER,WINCH JIB	1				

**AT-146-1 42095100073 UPPER
PG1050438-01 CYLINDER,TELESCOPING**



△:PACKING SET KEY NO. 51 (KEY NO.21,23,24,25,26,27,28,29,34,36,37,38)

**AT-146-1 42095100073 UPPER
PG1410093-02 COVER,BOOM**



AT-146-1 42095100073 UPPER

Pos No.	Parts No	Parts Name	Qty	Unit	Technical Data	Serial No (Start)	Serial No (End)	Remarks	Pages
100	42352350300	HARNESS	1						

AT-146-1 42095100073 UPPER

Pos No.	Parts No	Parts Name	Qty	Unit	Technical Data	Serial No (Start)	Serial No (End)	Remarks	Pages
100	42354820300	HARNESS	1						

CLICK HERE TO **DOWNLOAD** THE COMPLETE MANUAL

- Thank you very much for reading the preview of the manual.
- You can download the complete manual from: www.heydownloads.com by clicking the link below



- Please note: If there is no response to CLICKING the link, please download this PDF first and then click on it.

CLICK HERE TO **DOWNLOAD** THE COMPLETE MANUAL

AT-146-1 42095100073 UPPER

Pos No.	Parts No	Parts Name	Qty	Unit	Technical Data	Serial No (Start)	Serial No (End)	Remark
1	36340345610	SCREW	7					
2	36663415010	GEROLLER	1					
3	36663415020	SHAFT,DRIVING	1					
4	36663475010	CAP (END)	1					
6	36660375070	KEY	1		7X7X31.5			
7	36660405020	PLATE (SPACER)	1					
8	36072725270	FLANGE	1					
9	36660375050	RACE (BEARING)	1					
10	36660375080	SHAFT (OUTPUT)	1					
11	36663415040	HOUSING	1					
13	36660375060	BEARING,THRUST NEEDLE	1					
14	36661585030	SCREW	4					
15	36663415050	PIN (PISTON)	1					
23	36660405070	BALL	2					
28	36663415060	COVER (PISTON)	1					
29	36663415070	SCREW	4					
31	36663415080	SPRING	1					
41	36663415090	SEAL KIT	1					
52	36663415100	O-RING	1					
100	36663470000	MOTOR,HYDRAULIC	1					

AT-146-1 42095100073 UPPER

Pos No.	Parts No	Parts Name	Qty	Unit	Technical Data	Serial No (Start)	Serial No (End)	Remarks	Pages
1	36624110100	BODY	1						
2	36624110200	PLUG	2						
3	36624110300	SEAT	2						
4	36624110400	SPRING	2						
5	36624110501	PLUNGER	2						
6	36624110600	PISTON	1						
7	91001101200	O-RING	2		1A P12				
8	91001101800	O-RING	2		1A P18				
10	36624111000	PACKING	2						
30	36624630000	VALVE,CHECK	1						

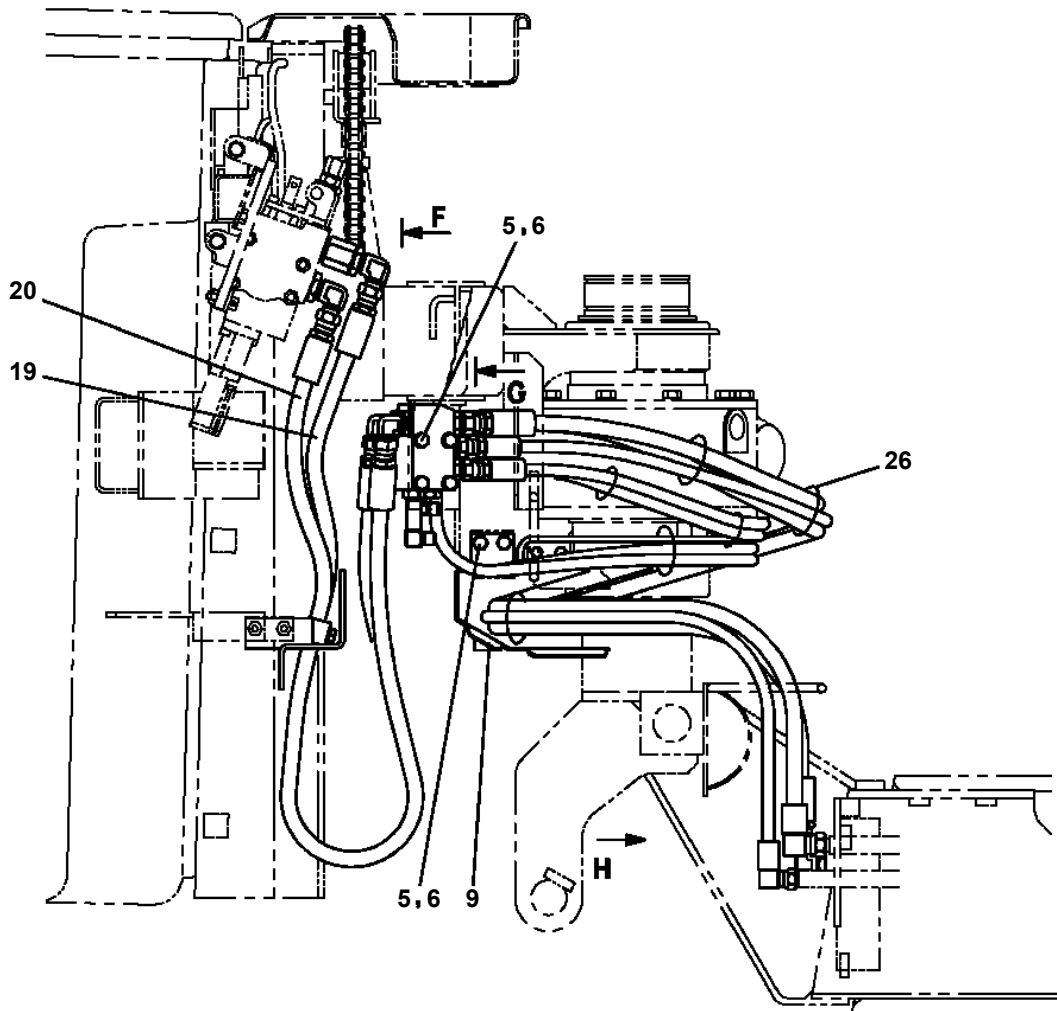
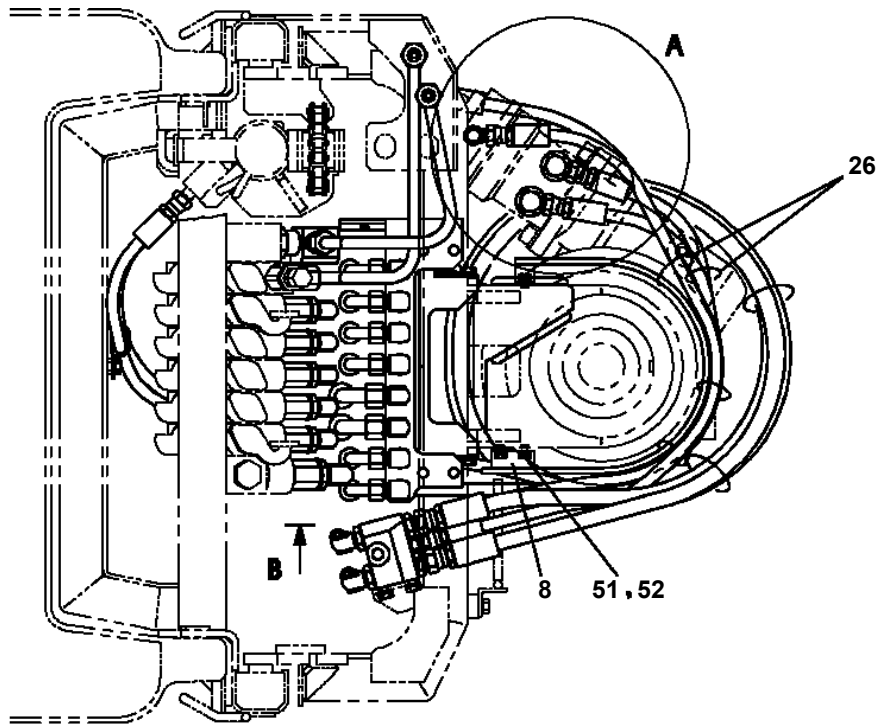
AT-146-1 42095100073 UPPER

Pos No.	Parts No	Parts Name	Qty	Unit	Technical Data	Serial No (Start)	Serial No (End)	Remark
3	91002801400	O-RING	3		1B P14			
7	36601665020	SPRING	1					
10	91001001000	O-RING	1		1A S10			
11	36601665030	SPRING	1					
13	91002803400	O-RING	1		1B P34			
14	36601665050	O-RING	1		P25			
15	91410002500	RING,BACKUP	1		P25			
18	91002802600	O-RING	1		1B P26			
19	91001301600	O-RING	1		WP16			
20	91002801000	O-RING	1		1B P10			
21	91410001000	RING,BACKUP	1		P10			
50	36605570000	VALVE,COUNTERBALANCE	1					

AT-146-1 42095100073 UPPER

Pos No.	Parts No	Parts Name	Qty	Unit	Technical Data	Serial No (Start)	Serial No (End)	Remarks	Pages
1	42261642000	BUCKET (BLUE)	1						

**AT-146-1 42095100073 UPPER
PJ3110024-01 PIPING (BUCKET)**



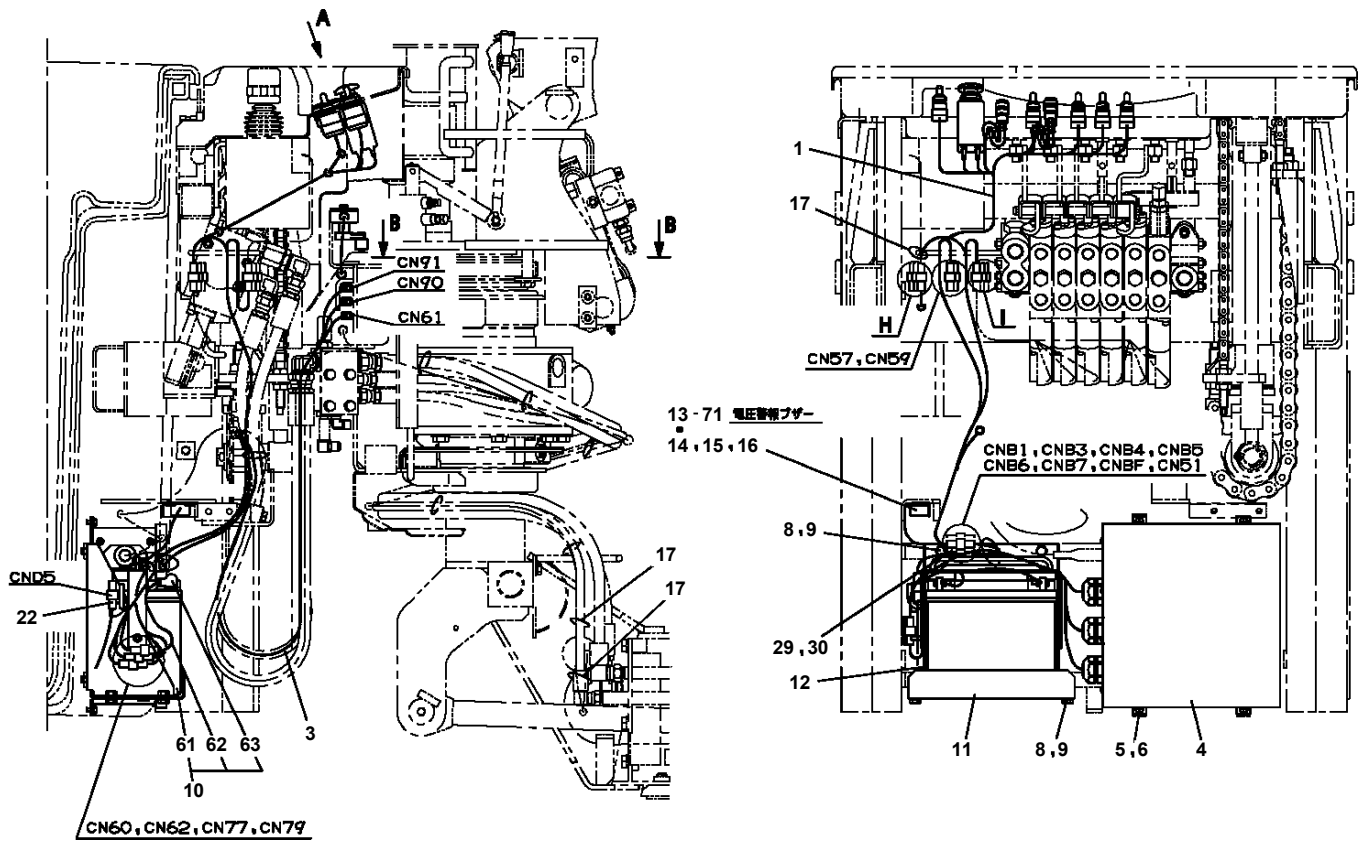
AT-146-1 42095100073 UPPER

Pos No.	Parts No	Parts Name	Qty	Unit	Technical Data	Serial No (Start)	Serial No (End)	Remarks	Pages
1	16715401000	NIPPLE	1						
2	16715403000	SLEEVE	2						
3	16715404000	NIPPLE	2						
4	16715402000	FITTING,ELBOW	1						
5	82456101000	NIPPLE,GREASE	1		A-PT1/8				
6	42311309520	PIPE ASSY	1						

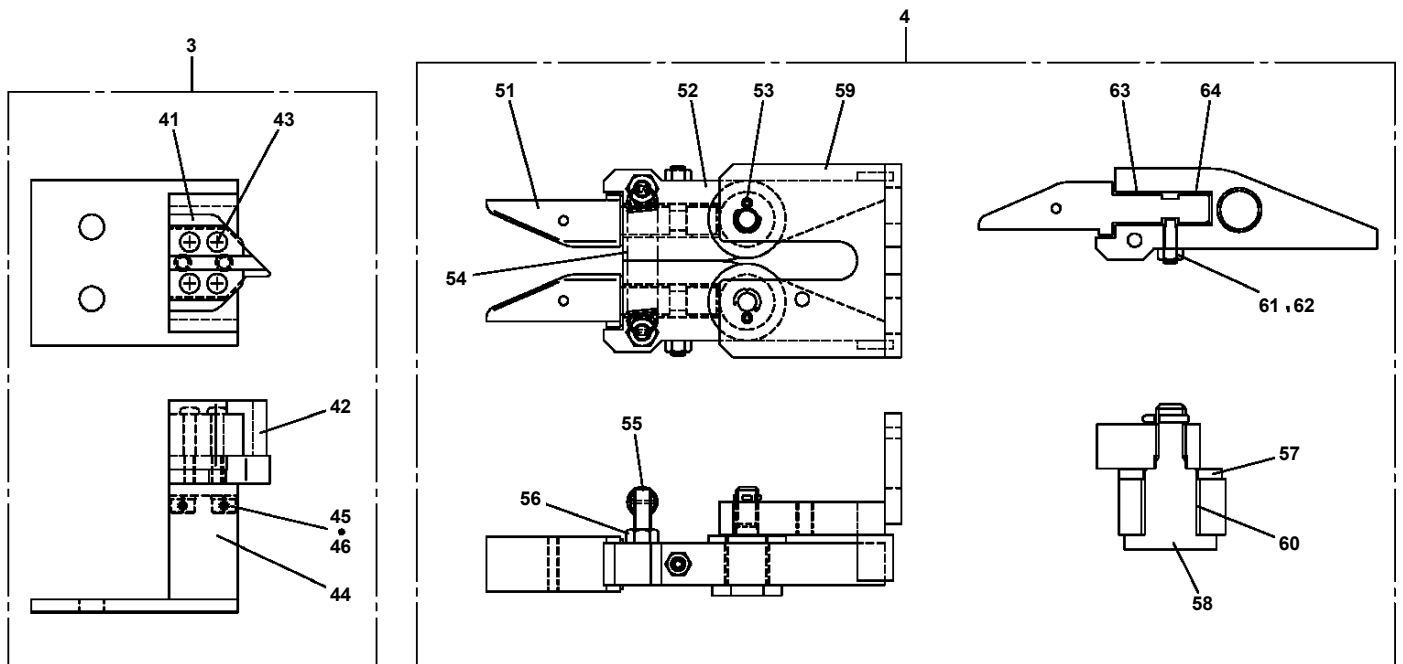
AT-146-1 42095100073 UPPER

Pos No.	Parts No	Parts Name	Qty	Unit	Technical Data	Serial No (Start)	Serial No (End)	Remarks	Pages
1	42272111000	COVER ASSY	1						000041
2	42271802000	COVER	1						
3	90101208016	BOLT	10		M8X16				
4	90302040801	WASHER,SPRING	10		8				
5	90303070801	WASHER,PLAIN	10		8				
6	90101206014	BOLT	6		M6X14				
7	90302040601	WASHER,SPRING	6		6				
8	37000512320	PLATE	6						
9	42270480020	COVER	1						
10	42270480030	COVER	1						
53	82400000311	GROMMET	1		L=1000				

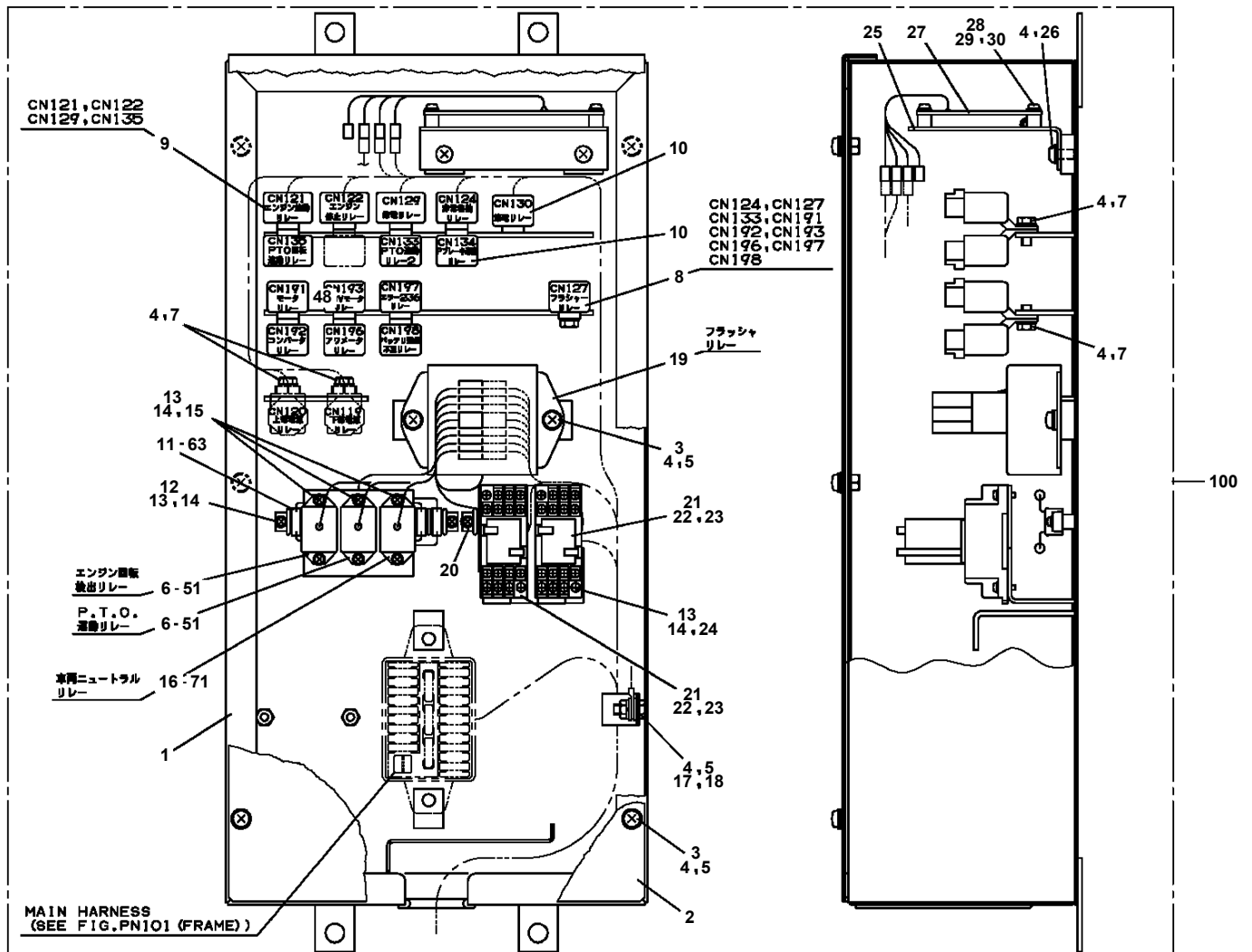
**AT-146-1 42095100073 UPPER
PN1013300-01 ELEC.ASSY (BUCKET)**



**AT-146-1 42095100073 UPPER
PN1013475-02 ELEC.ASSY (CHARGER)**



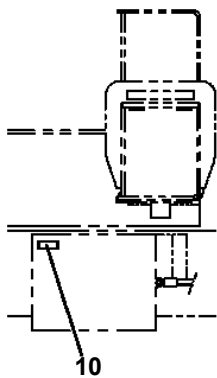
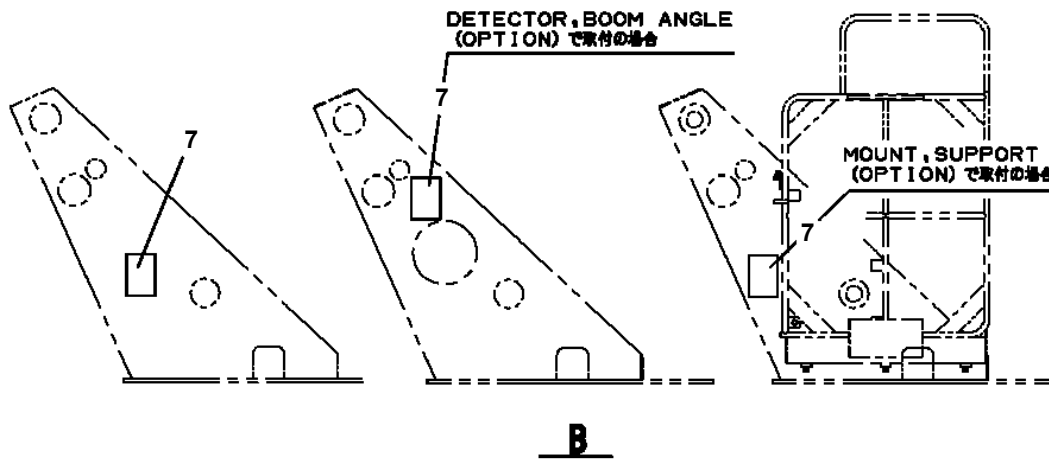
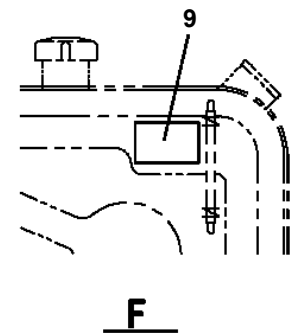
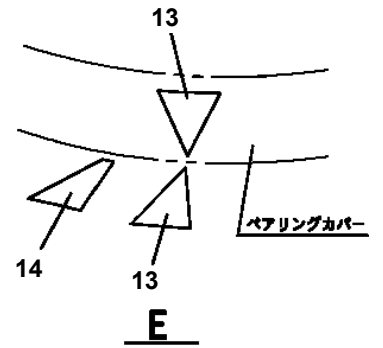
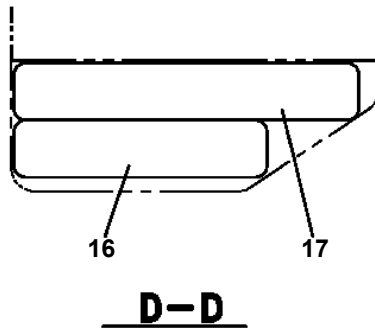
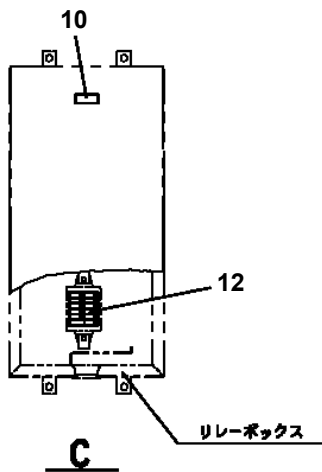
AT-146-1 42095100073 UPPER PN1110331-00 RELAY ASSY (FRAME)



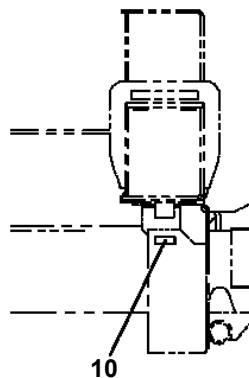
AT-146-1 42095100073 UPPER

Pos No.	Parts No	Parts Name	Qty	Unit	Technical Data	Serial No (Start)	Serial No (End)	Remarks	Pages
1	36900285010	ARMATURE ASSY	1						
5	36900285020	YOKE ASSY	1						
7	36900285030	BRACKET (FRONT)	1						
10	36900285040	BRACKET (REAR)	1						
11	36900285050	BRUSH	2						
12	36900285060	SPRING (BRUSH)	4						
15	36900285070	COVER (BRUSH)	1						
50	36900280000	MOTOR,ELECTRIC	1						

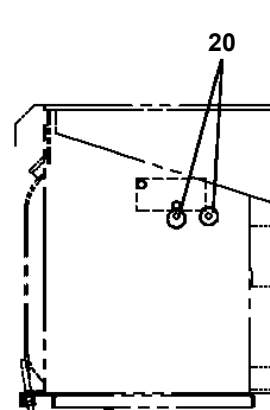
**AT-146-1 42095100073 UPPER
PO1013895-03 PLATE ASSY,NAME**



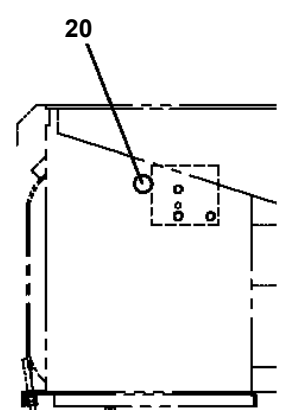
日野・トヨタの場合



いすゞ・三菱の場合



車体水平無



車体水平付

J

I

AT-146-1 42095100073 UPPER

Pos No.	Parts No	Parts Name	Qty	Unit	Technical Data	Serial No (Start)	Serial No (End)
1	(*****)	PLATE,NAME (LIVE-LINE WORKING DEVICE)	1				

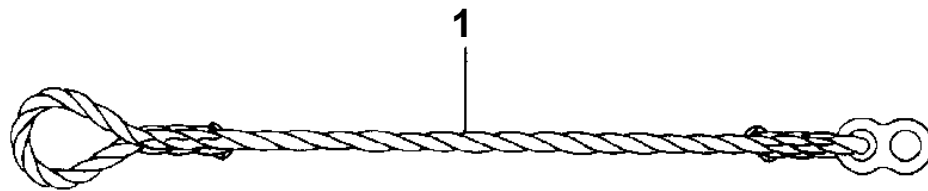
AT-146-1 42095100073 UPPER

Pos No.	Parts No	Parts Name	Qty	Unit	Technical Data	Serial No (Start)	Serial No (End)	Remarks	Page
5	50815054503	PACKING	2						
6	36624970600	SPRING	2						
7	91002801800	O-RING	2		1B P18				
8	50815054703	PIN (STOP)	2						
9	36623835900	PLUG	2						
10	36624971100	SPACER	2						
100	36625000000	VALVE ASSY,CHECK	1						

AT-146-1 42095100073 UPPER

Pos No.	Parts No	Parts Name	Qty	Unit	Technical Data	Serial No (Start)	Serial No (End)	Remarks	Pag
1	42311524100	SUPPORT	1						
2	90190208016	BOLT	2		M8X16				
3	90302510801	WASHER,SPRING (8)	2						
4	42311524200	SUPPORT	1						
5	90101208025	BOLT	2		M8X25				
6	90201200800	NUT	2		M8				
7	90302040801	WASHER,SPRING	2		8				
8	90303070801	WASHER,PLAIN	4		8				

**AT-146-1 42095100073 UPPER
PY1070000-00 ROPE (SAFETY, YELLOW:TD-TYPE)**



AT-146-1 42095100073 UPPER

Pos No.	Parts No	Parts Name	Qty	Unit	Technical Data	Serial No (Start)	Serial No (E
1	82400000422	FASTENER	1				
2	80456240600	JOINT,SELF SEALING (WITH DUST CAP)	2				
3	42475533100	LEVER	1				
4	82430208020	GRIP	1				
5	90101206010	BOLT	2		M6X1.0		
6	90302040601	WASHER,SPRING	2		6		
7	36631120050	NUT	2		M20		
8	42478183101	VALVE,MANUAL CONTROL (BOOSTER)	1				
9	37002471180	HOSE	1		L=465		
10	82104501180	SWITCH,LIMIT	1				
12	42310040050	ROPE (TETORON)	2				
13	82100001735	SLEEVE	4				
14	91810130230	FASTENER	2				
15	37000925920	JOINT	1				
16	37000526010	PLATE	2				
17	37000928400	JOINT	1				
18	37002461530	HOSE	2		L=540		
19	42478183020	PLATE,NAME	1				
20	42478183030	PLATE,NAME	1				
41	42471437520	CAP	2				

AT-146-1 42095100073 UPPER

Pos No.	Parts No	Parts Name	Qty	Unit	Technical Data	Serial No (Start)	Serial No (End)	Remarks	Pages
1	42473340000	STEP,BUCKET	1						

CLICK HERE TO **DOWNLOAD** THE COMPLETE MANUAL

- Thank you very much for reading the preview of the manual.
- You can download the complete manual from: www.heydownloads.com by clicking the link below



- Please note: If there is no response to CLICKING the link, please download this PDF first and then click on it.

CLICK HERE TO **DOWNLOAD** THE COMPLETE MANUAL