

**AT-142-3 42020342100 LOWER,ISUZU KK-NKR71E3N5JX**  
**PX1000648-00 MOUNTING PARTS**  
**ASSEMBLY**

CLICK HERE TO **DOWNLOAD** THE COMPLETE MANUAL

- Thank you very much for reading the preview of the manual.
- You can download the complete manual from: [www.heydownloads.com](http://www.heydownloads.com) by clicking the link below



- Please note: If there is no response to CLICKING the link, please download this PDF first and then click on it.

CLICK HERE TO **DOWNLOAD** THE COMPLETE MANUAL

# AT-142-3 42020342100 LOWER,ISUZU KK-NKR71E3N5JX

| Pos No. | Parts No    | Parts Name        | Qty | Unit | Technical Data | Serial No (Start) | Serial No (End) | Remarks | Page  |
|---------|-------------|-------------------|-----|------|----------------|-------------------|-----------------|---------|-------|
| 1       | 90303071001 | WASHER,PLAIN      | 2   |      | 10             |                   |                 |         |       |
| 2       | 90302041001 | WASHER,SPRING     | 2   |      | 10             |                   |                 |         |       |
| 3       | 90174110035 | BOLT              | 2   |      | M10X35         |                   |                 |         |       |
| 4       | 36652840000 | PUMP,OIL (32CC:L) | 1   |      |                |                   |                 |         | 00004 |

# AT-142-3 42020342100 LOWER,ISUZU KK-NKR71E3N5JX

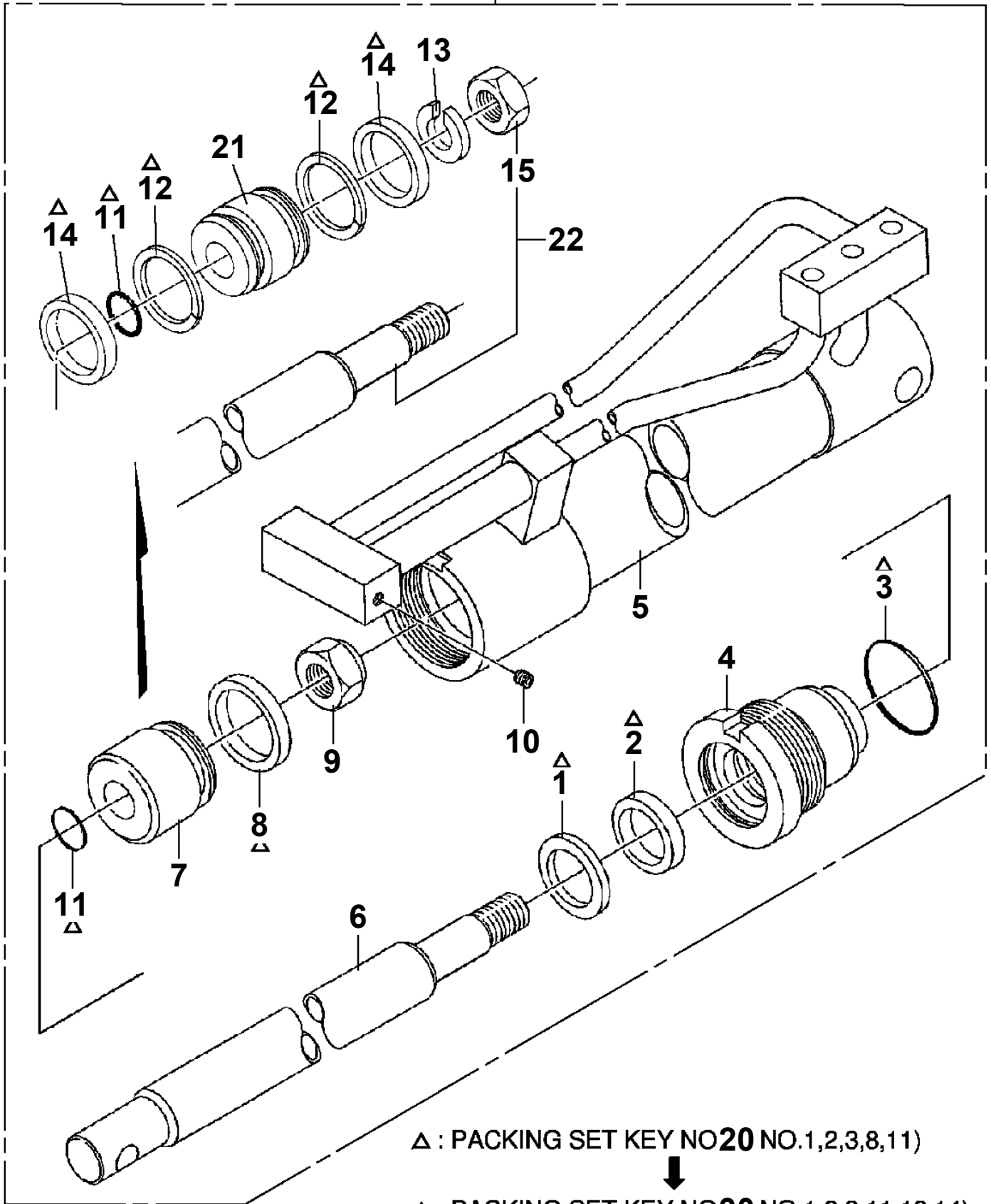
| Pos No. | Parts No    | Parts Name                               | Qty | Unit | Technical Data | Serial No (Start) |
|---------|-------------|--|-----|------|----------------|-------------------|
| 1       | 80305010120 | FITTING,TEE                              | 3   |      | ZKTA15-000N    |                   |
| 3       | 90172108060 | BOLT,HEXAGON SOCKET                      | 2   |      | M8X60          |                   |
| 4       | 90302040801 | WASHER,SPRING                            | 9   |      | 8              |                   |
| 5       | 42736700100 | SUPPORT                                  | 1   |      |                |                   |
| 6       | 90131508012 | BOLT,HEXAGON SOCKET <M8X12.              | 3   |      |                |                   |
| 7       | 80456110610 | JOINT,SELF SEALING (SOCKET)              | 1   |      |                |                   |
| 8       | 80456120610 | JOINT,SELF SEALING (PLUG)                | 1   |      |                |                   |
| 9       | 42733682200 | COVER ASSY                               | 1   |      |                |                   |
| 10      | 81408000210 | PIPE,STEEL                               | 1   | M    | 15X2.0T        |                   |
| 11      | 81408000210 | PIPE,STEEL                               | 1   | M    | 15X2.0T        |                   |
| 12      | 37000711090 | CLAMP ASSY                               | 1   |      | 18X2           |                   |
| 13      | 37000300750 | SLEEVE                                   | 2   |      | 18-15          |                   |
| 14      | 37000514590 | PLATE                                    | 1   |      |                |                   |
| 16      | 81408000210 | PIPE,STEEL                               | 1   | M    | 15X2.0T        |                   |
| 17      | 42736050400 | HARNESS                                  | 1   |      |                |                   |
| 18      | 42350250070 | PLUG (2 POLES,MALE)                      | 1   |      |                |                   |
| 19      | 80430620800 | JOINT                                    | 1   |      |                |                   |
| 20      | 80302090201 | FITTING                                  | 1   |      | KCO15-040N     |                   |
| 21      | 81408000210 | PIPE,STEEL                               | 1   | M    | 15X2.0T        |                   |
| 22      | 91002801800 | O-RING                                   | 1   |      | 1B P18         |                   |
| 23      | 37002461710 | HOSE                                     | 1   |      | L=750          |                   |
| 24      | 81408000210 | PIPE,STEEL                               | 1   | M    | 15X2.0T        |                   |
| 25      | 81408000210 | PIPE,STEEL                               | 1   | M    | 15X2.0T        |                   |
| 27      | 42736601000 | BOOSTER                                  | 1   |      |                |                   |
| 30      | 81408000210 | PIPE,STEEL                               | 1   | M    | 15X2.0T        |                   |
| 31      | 81408000210 | PIPE,STEEL                               | 1   | M    | 15X2.0T        |                   |
| 32      | 37002800630 | OIL,HYDRAULIC                            | 3   | L    |                |                   |
| 33      | 80302090181 | FITTING                                  | 3   |      | KCO15-030N     |                   |
| 34      | 91002801100 | O-RING                                   | 2   |      | 1B P11         |                   |
| 35      | 37000920740 | JOINT                                    | 1   |      |                |                   |
| 36      | 90101208016 | BOLT                                     | 4   |      | M8X16          |                   |
| 37      | 37002201980 | PLATE,NAME                               | 1   |      |                |                   |
| 38      | 42736050500 | PLATE,NAME                               | 1   |      |                |                   |
| 39      | 42736050510 | PLATE,NAME                               | 1   |      |                |                   |
| 40      | 91810132530 | FASTENER                                 | 6   |      |                |                   |
| 41      | 42432063400 | PLATE                                    | 1   |      |                |                   |
| 43      | (*****)     | POWER SUPPLY (LOWER HYDRAULIC OUTLET SW) | 1   |      |                |                   |
| 44      | 37000924700 | JOINT                                    | 1   |      |                |                   |
| 45      | 80303130181 | FITTING,ELBOW                            | 1   |      | KLO15-030E     |                   |
| 46      | 91002801400 | O-RING                                   | 5   |      | 1B P14         |                   |
| 61      | 42736711100 | FITTING,FLANGE                           | 1   |      |                |                   |
| 62      | 36645930000 | VALVE,SOLENOID                           | 1   |      |                |                   |
| 63      | 90172105050 | BOLT,HEXAGON SOCKET                      | 4   |      | M5X50          |                   |
| 64      | 80316070080 | PLUG                                     | 1   |      | PF1/2          |                   |
| 65      | 91002801800 | O-RING                                   | 4   |      | 1B P18         |                   |
| 66      | 80316070040 | PLUG                                     | 2   |      | PF1/4          |                   |
| 67      | 91002801100 | O-RING                                   | 2   |      | 1B P11         |                   |
| 68      | 80303130181 | FITTING,ELBOW                            | 1   |      | KLO15-030E     |                   |
| 69      | 80303130201 | FITTING,ELBOW                            | 1   |      | KLO15-040E     |                   |
| 70      | 36604750000 | VALVE,RELIEF                             | 1   |      |                |                   |
| 71      | 42433330020 | PLUG (2 POLES,FEMALE)                    | 1   |      |                |                   |
| 81      | 42733682210 | COVER                                    | 1   |      |                |                   |
| 82      | 42733682240 | COVER                                    | 1   |      |                |                   |
| 83      | 90201200300 | NUT                                      | 12  |      | M3             |                   |
| 84      | 80172303008 | SCREW,MACHINE                            | 4   |      | M3X8           |                   |
| 85      | 90302040301 | WASHER,SPRING                            | 12  |      | 3              |                   |
| 86      | 90303070301 | WASHER,PLAIN                             | 2   |      | 3              |                   |
| 87      | 82480001103 | CATCH                                    | 1   |      |                |                   |
| 88      | 80176803008 | SCREW,MACHINE                            | 8   |      | M3X8           |                   |
| 89      | 82464102700 | HINGE                                    | 2   |      |                |                   |
| 111     | 91002801400 | O-RING                                   | 2   |      | 1B P14         |                   |
| 122     | 80430620800 | JOINT                                    | 1   |      |                |                   |
| 131     | 91071011500 | O-RING                                   | 1   |      | Y22550-115-A   |                   |

# AT-142-3 42020342100 LOWER,ISUZU KK-NKR71E3N5JX

| Pos No. | Parts No    | Parts Name          | Qty | Unit | Technical Data | Serial No (Start) | Serial No (End) | Remarks | Page |
|---------|-------------|---------------------|-----|------|----------------|-------------------|-----------------|---------|------|
| 1       | 37002511160 | HOSE                | 1   |      | L=460          |                   |                 |         |      |
| 2       | 37000805560 | JOINT               | 1   |      |                |                   |                 |         |      |
| 3       | 91803600160 | CLIP                | 7   |      | D=11-16        |                   |                 |         |      |
| 4       | 37000803300 | JOINT               | 1   |      |                |                   |                 |         |      |
| 5       | 90201200800 | NUT                 | 3   |      | M8             |                   |                 |         |      |
| 6       | 37002511790 | HOSE                | 1   |      | L=600          |                   |                 |         |      |
| 7       | 37000911190 | JOINT               | 1   |      |                |                   |                 |         |      |
| 8       | 42420254010 | JOINT               | 1   |      |                |                   |                 |         |      |
| 9       | 80307040020 | JOINT,SOCKET        | 1   |      |                |                   |                 |         |      |
| 10      | 82100002040 | CLAMP               | 3   |      | WE15           |                   |                 |         |      |
| 11      | 90101206016 | BOLT                | 2   |      | M6X16          |                   |                 |         |      |
| 12      | 90302040601 | WASHER,SPRING       | 2   |      | 6              |                   |                 |         |      |
| 13      | 42820500200 | PUMP,FUEL           | 1   |      |                |                   |                 |         |      |
| 14      | 90302040801 | WASHER,SPRING       | 3   |      | 8              |                   |                 |         |      |
| 15      | 37000913140 | JOINT               | 1   |      |                |                   |                 |         |      |
| 16      | 37000924250 | JOINT               | 1   |      | PT3/8,D14      |                   |                 |         |      |
| 17      | 37002511500 | HOSE                | 1   |      | 8X1200         |                   |                 |         |      |
| 18      | 82400000204 | GROMMET             | 1   | M    | L=320          |                   |                 |         |      |
| 19      | 80307050020 | JOINT,SOCKET        | 1   |      |                |                   |                 |         |      |
| 20      | 91803600250 | CLIP                | 4   |      | D=18-25        |                   |                 |         |      |
| 41      | 42820507680 | FILTER (REPAIR KIT) | 1   |      |                |                   |                 |         |      |

AT-142-3 42020342100 LOWER,ISUZU KK-NKR71E3N5JX  
 PC1050167-02 CYLINDER,EXTENSION (REAR)

50



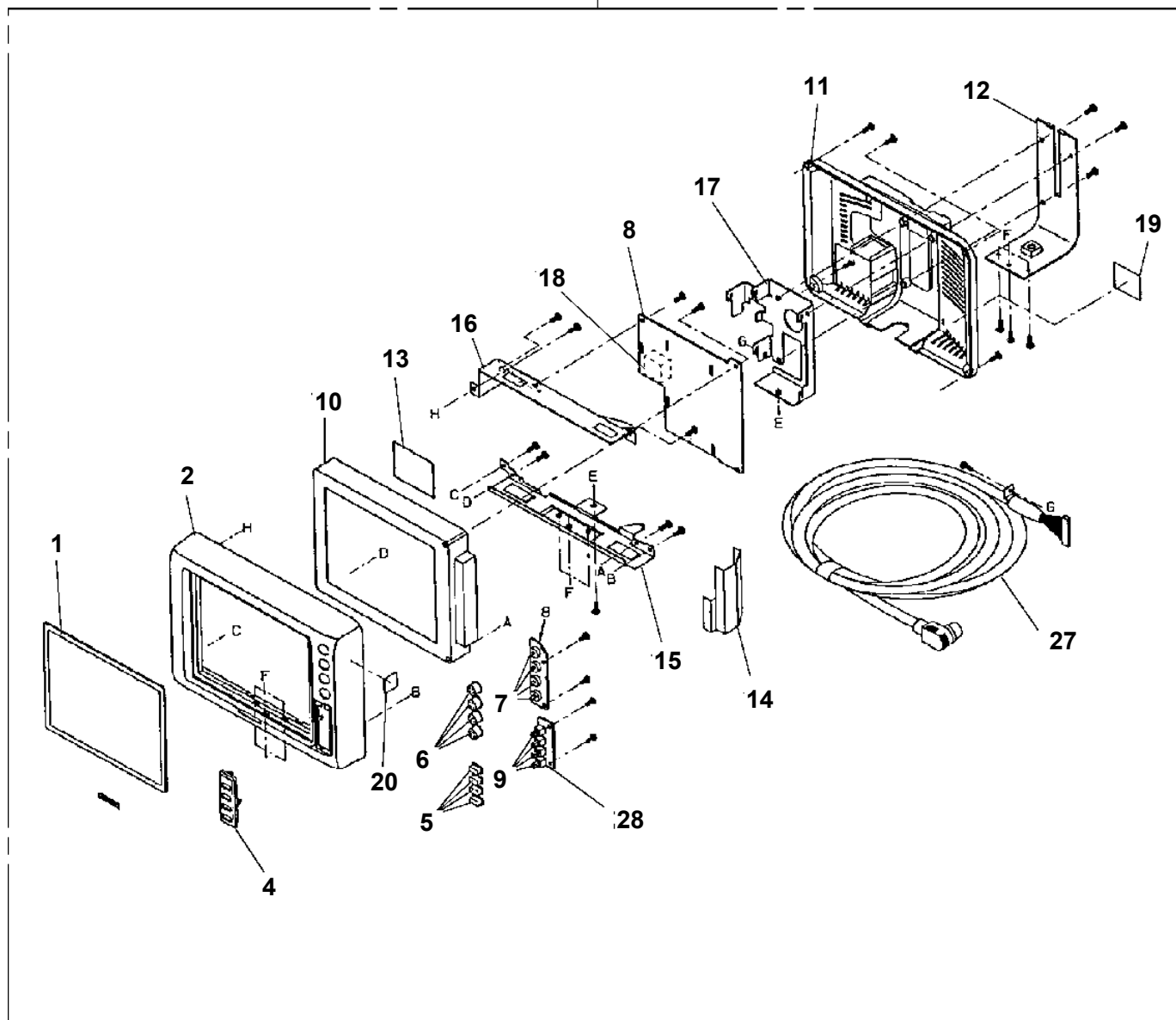
Δ : PACKING SET KEY NO**20** NO.1,2,3,8,11)



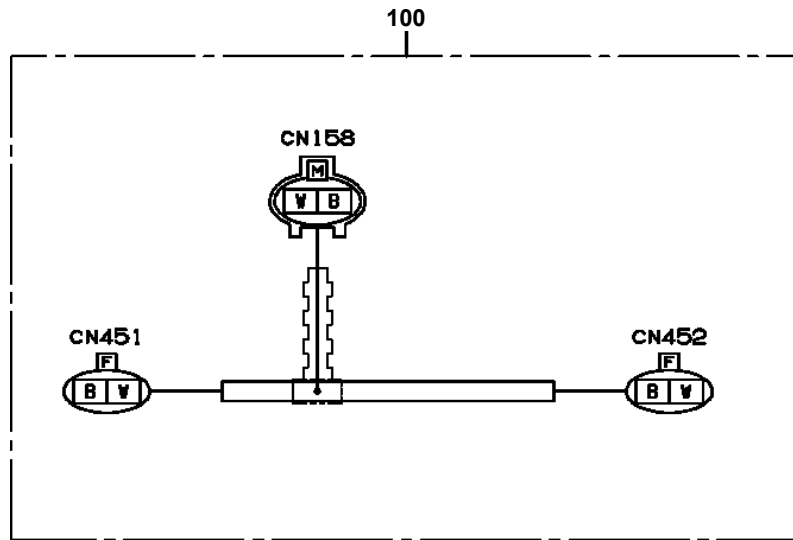
Δ : PACKING SET KEY NO**30** NO.1,2,3,11,12,14)

AT-142-3 42020342100 LOWER,ISUZU KK-NKR71E3N5JX  
PH1710006-01 DISPLAY (COLOR MONITOR)

50



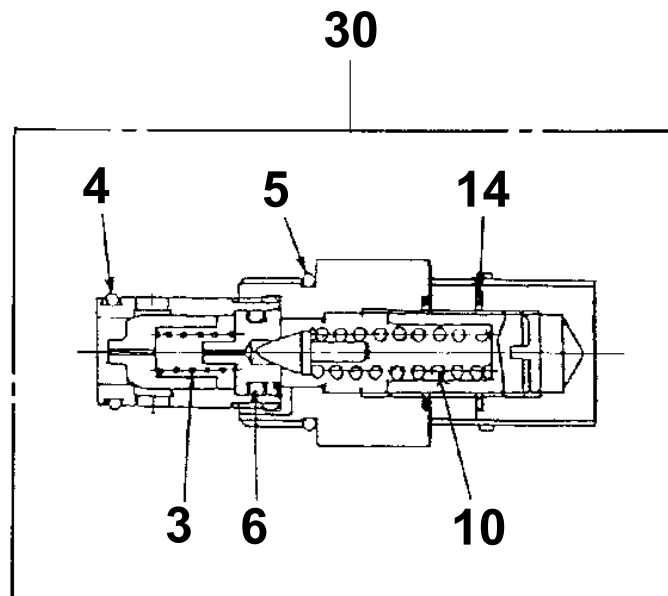
AT-142-3 42020342100 LOWER,ISUZU KK-NKR71E3N5JX  
PH5032782-00 HARNESS



AT-142-3 42020342100 LOWER,ISUZU KK-NKR71E3N5JX

PI1100061-00 VALVE,RELIEF

Assembly Name VALVE, RELIEF



# AT-142-3 42020342100 LOWER,ISUZU KK-NKR71E3N5JX

| Pos No. | Parts No    | Parts Name        | Qty | Unit | Technical Data | Serial No (Start) | Serial No (End) | Remarks | Pa |
|---------|-------------|-------------------|-----|------|----------------|-------------------|-----------------|---------|----|
| 2       | 91002801400 | O-RING            | 2   |      | 1B P14         |                   |                 |         |    |
| 6       | 91002800700 | O-RING            | 1   |      | 1B P7          |                   |                 |         |    |
| 50      | 36623930000 | VALVE,PILOT CHECK | 1   |      |                |                   |                 |         |    |

**AT-142-3 42020342100 LOWER,ISUZU KK-NKR71E3N5JX**

| Pos No. | Parts No    | Parts Name               | Qty | Unit | Technical Data | Serial No (Start) | Serial No (End) | Rema |
|---------|-------------|--------------------------|-----|------|----------------|-------------------|-----------------|------|
| 2       | 36160017530 | WASHER,SPRING            | 1   |      |                |                   | 590185          |      |
| 3       | 36160017540 | WASHER,PLAIN             | 1   |      |                |                   | 590185          |      |
| 4       | 36160017520 | DRUM ASSY                | 1   |      |                |                   | 590185          |      |
| 5       | 36160017550 | HANDLE                   | 1   |      |                |                   |                 |      |
| 6       | 36160655020 | SHAFT                    | 1   |      |                |                   |                 |      |
| 7       | 36160017560 | WASHER,PLAIN             | 1   |      |                |                   |                 |      |
| 8       | 36160017570 | PLATE (RING)             | 1   |      |                |                   | 590185          |      |
| 10      | 36160017590 | PLATE (CONTACT)          | 1   |      |                |                   |                 |      |
| 50      | 36160370000 | REEL,CORD (FOR EARTHING) | 1   |      |                |                   |                 |      |

CLICK HERE TO **DOWNLOAD** THE COMPLETE MANUAL

- Thank you very much for reading the preview of the manual.
- You can download the complete manual from: [www.heydownloads.com](http://www.heydownloads.com) by clicking the link below



- Please note: If there is no response to CLICKING the link, please download this PDF first and then click on it.

CLICK HERE TO **DOWNLOAD** THE COMPLETE MANUAL

# AT-142-3 42020342100 LOWER,ISUZU KK-NKR71E3N5JX

| Pos No. | Parts No    | Parts Name                             | Qty | Unit | Technical Data | Serial No (Start) | Serial No (End) |
|---------|-------------|--|-----|------|----------------|-------------------|-----------------|
| 1       | 42460821100 | BLOCK,RUBBER (WAZUMI)                  | 4   |      |                |                   |                 |
|         | 42460821200 | BLOCK,RUBBER (NAKAMURA)                | 4   |      |                |                   |                 |
| 2       | 42460012530 | WEDGE (STOPPER FOR TIRE/WAZUMI)        | 4   |      |                |                   | 5904            |
|         | 42460012540 | WEDGE (STOPPER FOR TIRE/NAKAMURA KIKI) | 4   |      |                |                   | 5904            |
|         | 42460012550 | WEDGE (STOPPER FOR TIRE/JUSTIN)        | 4   |      |                | 590427            |                 |
| 3       | 37004100040 | PUMP,GREASE (DOMESTIC)                 | 1   |      |                |                   |                 |
| 4       | 42473401000 | TOOLS                                  | 1   |      |                |                   |                 |
| 6       | 91991601013 | ACCESSORIES (WRENCH)                   | 1   |      |                |                   |                 |

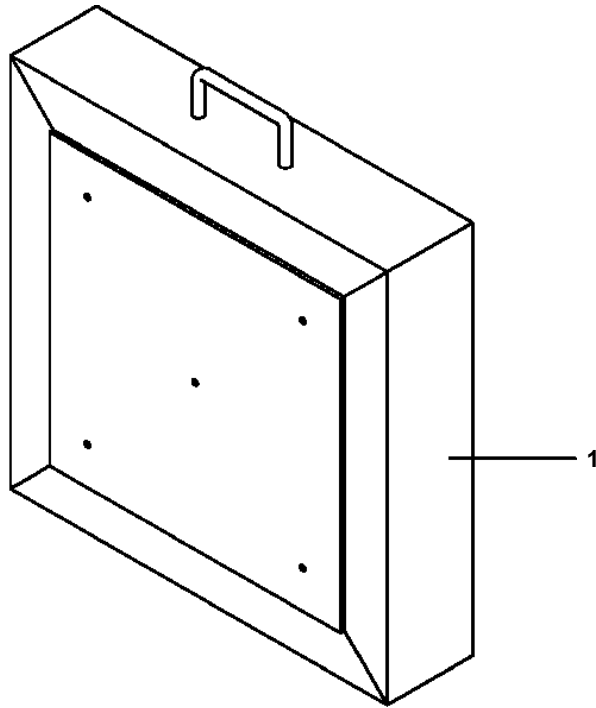
# AT-142-3 42020342100 LOWER,ISUZU KK-NKR71E3N5JX

| Pos No. | Parts No    | Parts Name                             | Qty | Unit | Technical Data | Serial No (Start) | Serial No (End) |
|---------|-------------|--|-----|------|----------------|-------------------|-----------------|
| 1       | 42460012540 | WEDGE (STOPPER FOR TIRE/NAKAMURA KIKI) | 1   |      |                |                   |                 |

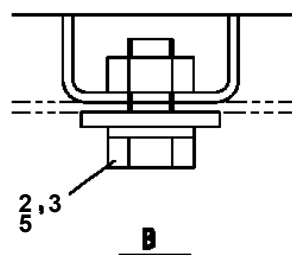
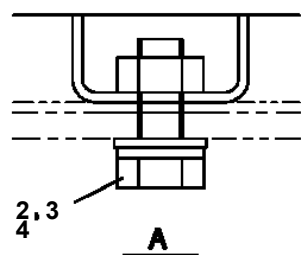
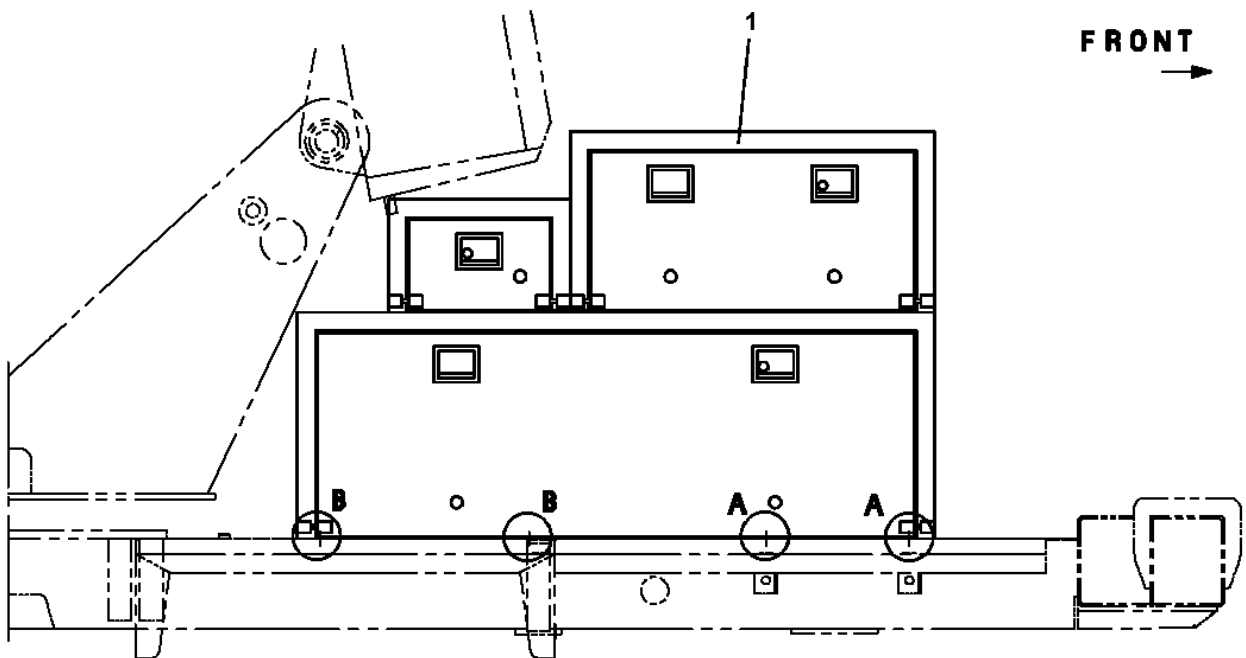
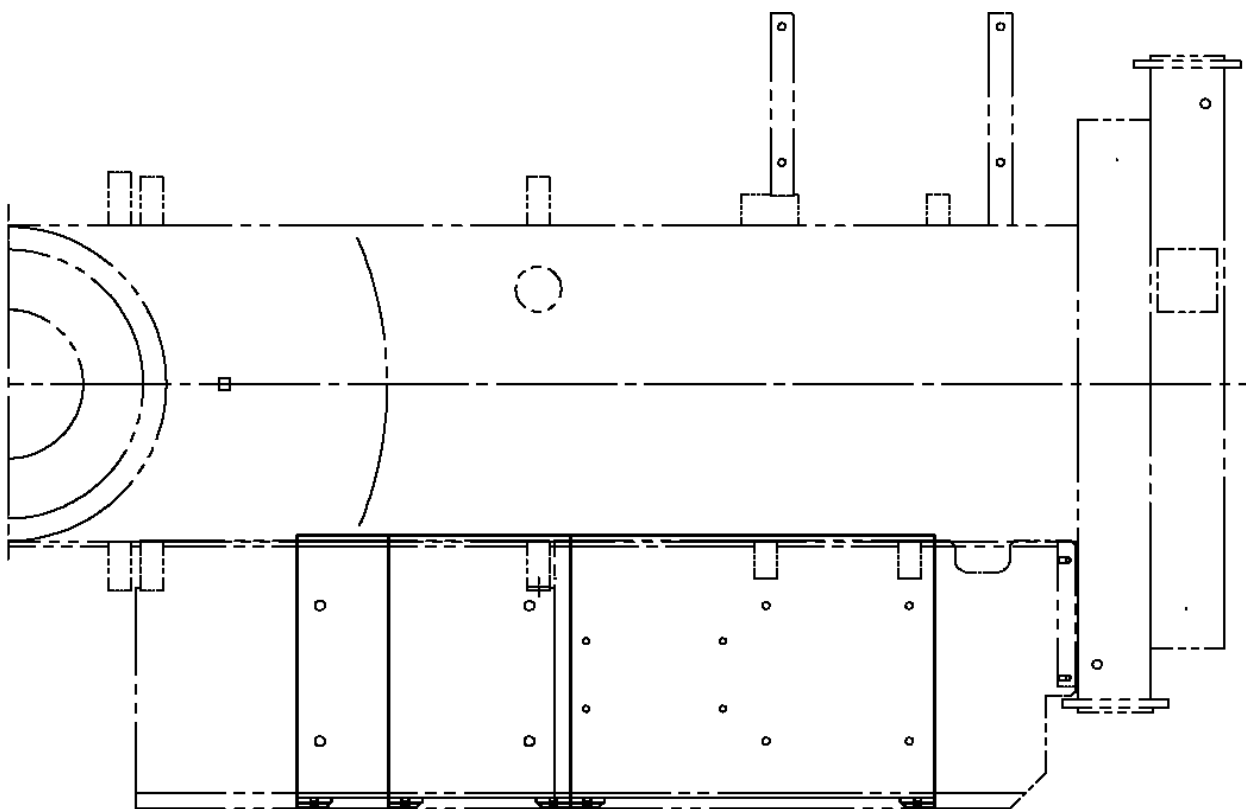
# AT-142-3 42020342100 LOWER,ISUZU KK-NKR71E3N5JX

| Pos No. | Parts No    | Parts Name    | Qty | Unit | Technical Data | Serial No (Start) | Serial No (End) | Remarks | Pages |
|---------|-------------|---------------|-----|------|----------------|-------------------|-----------------|---------|-------|
| 1       | 90303070601 | WASHER,PLAIN  | 1   |      | 6              |                   |                 |         |       |
| 2       | 90302040601 | WASHER,SPRING | 1   |      | 6              |                   |                 |         |       |
| 3       | 90201200600 | NUT           | 1   |      | M6             |                   |                 |         |       |
| 4       | 90101206016 | BOLT          | 1   |      | M6X16          |                   |                 |         |       |
| 5       | 82400000345 | CHAIN (QTY=L) | 1   | M    |                |                   |                 |         |       |
| 6       | 90101210025 | BOLT          | 6   |      | M10X25         |                   |                 |         |       |
| 7       | 90201201000 | NUT           | 6   |      | M10            |                   |                 |         |       |
| 8       | 90302041001 | WASHER,SPRING | 6   |      | 10             |                   |                 |         |       |
| 9       | 42772320700 | GUARD,SIDE    | 1   |      |                |                   |                 |         |       |
| 10      | 42772320800 | GUARD,SIDE    | 1   |      |                |                   |                 |         |       |
| 11      | 42771180100 | SUPPORT       | 1   |      |                |                   |                 |         |       |
| 12      | 90101208016 | BOLT          | 6   |      | M8X16          |                   |                 |         |       |
| 14      | 90302040801 | WASHER,SPRING | 4   |      | 8              |                   |                 |         |       |
| 15      | 42772320300 | SUPPORT       | 1   |      |                |                   |                 |         |       |
| 35      | 56360013000 | PLATE         | 1   |      |                |                   |                 |         |       |
| 36      | 90302041001 | WASHER,SPRING | 4   |      | 10             |                   |                 |         |       |
| 37      | 90171110030 | BOLT          | 2   |      | M10X30         |                   |                 |         |       |
| 50      | 90171110020 | BOLT          | 2   |      | M10X20         |                   |                 |         |       |
| 51      | 90303071001 | WASHER,PLAIN  | 2   |      | 10             |                   |                 |         |       |

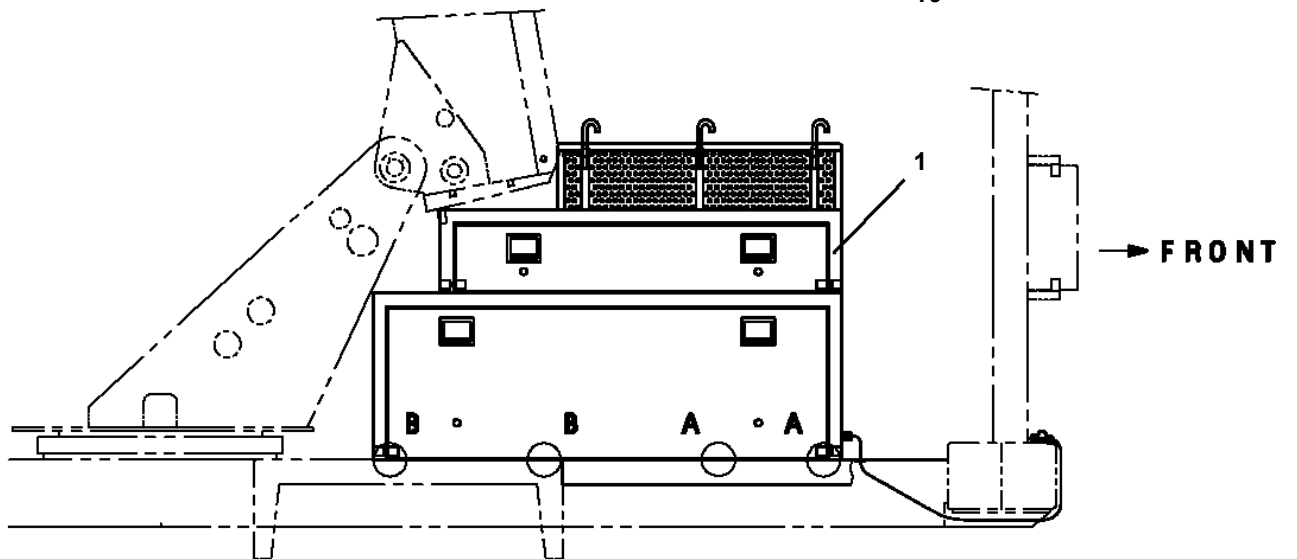
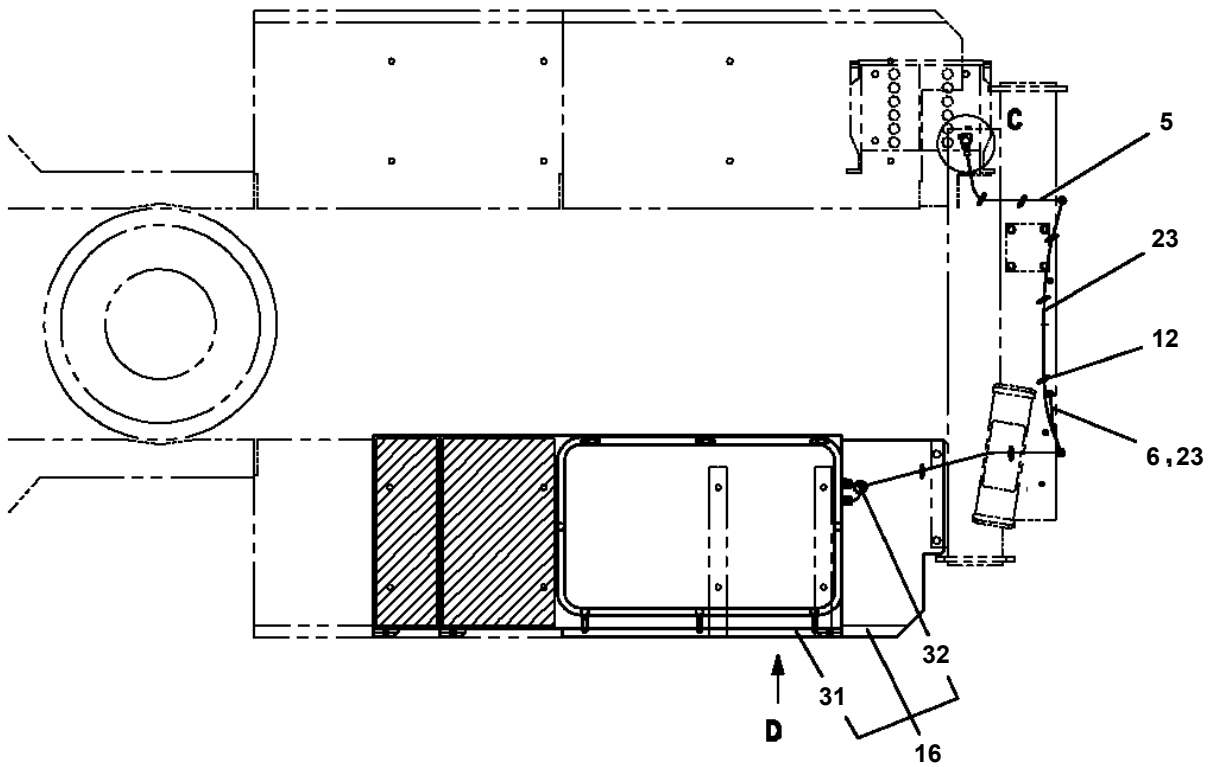
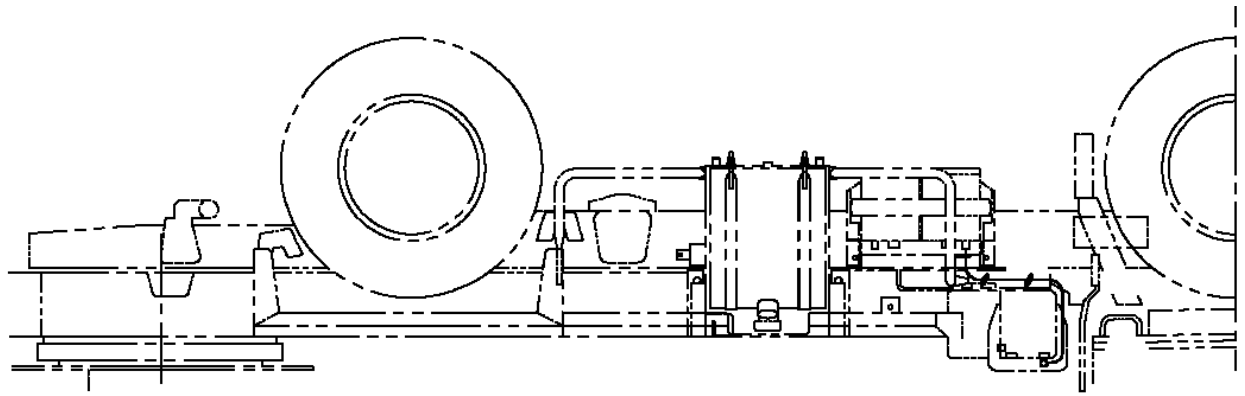
AT-142-3 42020342100 LOWER,ISUZU KK-NKR71E3N5JX  
PX1270075-01 WOOD BLOCK (WITH RUBBER,T=80)



AT-142-3 42020342100 LOWER,ISUZU KK-NKR71E3N5JX  
PX1350197-02 BOX,TOOL (RIGHT,SHINDEN)



**AT-142-3 42020342100 LOWER,ISUZU KK-NKR71E3N5JX  
PX1350250-01 BOX,TOOL (RIGHT,FOR NTT)**



# AT-142-3 42020342100 LOWER,ISUZU KK-NKR71E3N5JX

| Pos No. | Parts No    | Parts Name                   | Qty | Unit | Technical Data | Serial No (Start) | Serial No (End) |
|---------|-------------|------------------------------|-----|------|----------------|-------------------|-----------------|
| 1       | 42832487511 | BODY,BOX                     | 1   |      |                |                   |                 |
| 2       | 42832487522 | WINDOW                       | 1   |      |                |                   |                 |
| 3       | 42832487532 | WINDOW                       | 1   |      |                |                   |                 |
| 4       | 42832487542 | WINDOW                       | 1   |      |                |                   |                 |
| 7       | 42832917570 | HINGE SET (RIGHT)            | 3   |      |                |                   |                 |
| 8       | 42832917580 | HINGE SET (LEFT)             | 3   |      |                |                   |                 |
| 9       | 42833157580 | PIN                          | 6   |      |                |                   |                 |
| 10      | 82400000393 | INSULATOR                    | 3   |      |                |                   |                 |
| 11      | 82461015111 | CATCH (WITH KEY)             | 3   |      |                |                   |                 |
| 12      | 82461015112 | CATCH (WITHOUT KEY)          | 2   |      |                |                   |                 |
| 13      | 80175804010 | SCREW,MACHINE                | 10  |      | M4X10          |                   |                 |
| 14      | 80192435010 | SCREW,MACHINE                | 18  |      | M5X10          |                   |                 |
| 15      | 80192484016 | SCREW,MACHINE                | 3   |      | M4X16          |                   |                 |
| 16      | 80192435012 | SCREW,MACHINE                | 10  |      | M5X12          |                   |                 |
| 17      | 42832487570 | WEATHER STRIP                | 1   |      |                |                   |                 |
| 18      | 42833157590 | STRIKER                      | 5   |      |                |                   |                 |
| 19      | 80176805010 | SCREW,MACHINE                | 10  |      | M5X10          |                   |                 |
| 20      | 42831877540 | INSULATOR                    | 2   |      |                |                   |                 |
| 21      | 80192484012 | SCREW,MACHINE (WITH WASHER)  | 2   |      | M4X12          |                   |                 |
| 22      | 42832917620 | HINGE                        | 1   |      |                |                   |                 |
| 30      | 42832481000 | BOX,TOOL (RIGHT,FOR SHINDEN) | 1   |      |                |                   |                 |

# AT-142-3 42020342100 LOWER,ISUZU KK-NKR71E3N5JX

| Pos No. | Parts No    | Parts Name                      | Qty | Unit | Technical Data | Serial No (Start) | Serial No (End) |
|---------|-------------|---------------------------------|-----|------|----------------|-------------------|-----------------|
| 1       | 42832337510 | BODY,BOX                        | 1   |      |                |                   |                 |
| 2       | 42832337521 | WINDOW                          | 1   |      |                |                   |                 |
| 3       | 42832337531 | WINDOW                          | 1   |      |                |                   |                 |
| 4       | 42832337540 | COVER                           | 1   |      |                |                   |                 |
| 5       | 42832337550 | PLATE                           | 2   |      |                |                   |                 |
| 8       | 42833157550 | SUPPORT                         | 4   |      |                |                   |                 |
| 9       | 42833077570 | HINGE SET                       | 2   |      |                |                   |                 |
| 10      | 42833077580 | HINGE SET                       | 2   |      |                |                   |                 |
| 11      | 42833157580 | PIN                             | 4   |      |                |                   |                 |
| 12      | 82400000393 | INSULATOR                       | 2   |      |                |                   |                 |
| 13      | 82461015111 | CATCH (WITH KEY)                | 2   |      |                |                   |                 |
| 14      | 82461015112 | CATCH (WITHOUT KEY)             | 2   |      |                |                   |                 |
| 15      | 82466115200 | CATCH                           | 1   |      |                |                   |                 |
| 16      | 42832337590 | STAY (WITH STOPPER)             | 1   |      |                |                   |                 |
| 17      | 42833157590 | STRIKER                         | 4   |      |                |                   |                 |
| 18      | 80175804010 | SCREW,MACHINE                   | 8   |      | M4X10          |                   |                 |
| 19      | 80192435010 | SCREW,MACHINE                   | 12  |      | M5X10          |                   |                 |
| 20      | 80192484016 | SCREW,MACHINE                   | 2   |      | M4X16          |                   |                 |
| 21      | 80192435012 | SCREW,MACHINE                   | 8   |      | M5X12          |                   |                 |
| 22      | 80176805010 | SCREW,MACHINE                   | 8   |      | M5X10          |                   |                 |
| 23      | 42832907670 | BOLT,HEXAGON SOCKET             | 6   |      | M4X10          |                   |                 |
| 24      | 80192434008 | SCREW,MACHINE                   | 2   |      | M4X8           |                   |                 |
| 25      | 80175803010 | SCREW,MACHINE                   | 5   |      | M3X8           |                   |                 |
| 26      | 42832337580 | WEATHER STRIP                   | 1   |      |                |                   |                 |
| 27      | 42832877620 | HANDLE                          | 1   |      |                |                   |                 |
| 28      | 42832877650 | SCREW,MACHINE                   | 2   |      | M4X6           |                   |                 |
| 29      | 42831877540 | INSULATOR                       | 2   |      |                |                   |                 |
| 30      | 80192484012 | SCREW,MACHINE (WITH WASHER)     | 2   |      | M4X12          |                   |                 |
| 50      | 42832331001 | BOX,TOOL (RIGHT,FOR TOTIDENKOU) | 1   |      |                |                   |                 |

**AT-142-3 42020342100 LOWER,ISUZU KK-NKR71E3N5JX**

| Pos No. | Parts No    | Parts Name                | Qty | Unit | Technical Data | Serial No (Start) | Serial No (End) | Rem |
|---------|-------------|---------------------------|-----|------|----------------|-------------------|-----------------|-----|
| 1       | 42831401000 | BOX,TOOL (BOOM,LEFT SIDE) | 1   |      |                |                   |                 |     |
| 2       | 90101210020 | BOLT                      | 4   |      | M10X20         |                   |                 |     |
| 3       | 90302041001 | WASHER,SPRING             | 4   |      | 10             |                   |                 |     |
| 4       | 90303071001 | WASHER,PLAIN              | 4   |      | 10             |                   |                 |     |
| 5       | 42420591150 | CUSHION                   | 1   |      |                |                   |                 |     |
| 11      | 37000505120 | PLATE                     | 2   |      |                |                   |                 |     |
| 12      | 12515253000 | PLATE                     | 1   |      |                |                   |                 |     |

# AT-142-3 42020342100 LOWER,ISUZU KK-NKR71E3N5JX

| Pos No. | Parts No    | Parts Name          | Qty | Unit | Technical Data | Serial No (Start) | Serial No (End) | Remarks |
|---------|-------------|---------------------|-----|------|----------------|-------------------|-----------------|---------|
| 1       | 42736653010 | COVER (SIDE)        | 1   |      |                |                   |                 |         |
| 2       | 91002806000 | O-RING              | 1   |      | 1B P60         |                   |                 |         |
| 3       | 91411006000 | RING,BACKUP         | 1   |      | P60            |                   |                 |         |
| 4       | 36050345020 | HEAD                | 1   |      |                |                   |                 |         |
| 5       | 12235104020 | SPRING              | 1   |      |                |                   |                 |         |
| 6       | 80560061000 | BALL,STEEL          | 1   |      | 3/8            |                   |                 |         |
| 7       | 36050345030 | PACKING SET         | 1   |      |                |                   |                 |         |
| 8       | 36051485020 | TUBE                | 1   |      |                |                   |                 |         |
| 9       | 42736653020 | TUBE                | 1   |      |                |                   |                 |         |
| 10      | 91001209500 | O-RING              | 2   |      | 1A G95         |                   |                 |         |
| 11      | 36050395042 | COVER (B)           | 1   |      |                |                   |                 |         |
| 12      | 91411004200 | RING,BACKUP         | 1   |      | P42            |                   |                 |         |
| 13      | 91001104200 | O-RING              | 1   |      | 1A P42         |                   |                 |         |
| 14      | 36050395051 | ROD                 | 1   |      |                |                   |                 |         |
| 15      | 36050395061 | TUBE                | 1   |      |                |                   |                 |         |
| 16      | 36050395071 | ROD,PUSH            | 1   |      |                |                   |                 |         |
| 17      | 91002802600 | O-RING              | 1   |      | 1B P26         |                   |                 |         |
| 18      | 36050345090 | PISTON              | 1   |      |                |                   |                 |         |
| 19      | 91411009000 | RING,BACKUP         | 2   |      | P90            |                   |                 |         |
| 20      | 91001109000 | O-RING              | 1   |      | 1A P90         |                   |                 |         |
| 21      | 36050125110 | NUT                 | 1   |      |                |                   |                 |         |
| 22      | 36050845012 | COVER (SIDE)        | 1   |      |                |                   |                 |         |
| 23      | 91002801200 | O-RING              | 1   |      | 1B P12         |                   |                 |         |
| 24      | 80602110170 | RING,RITAINING      | 1   |      | R17            |                   |                 |         |
| 25      | 91002801000 | O-RING              | 2   |      | 1B P10         |                   |                 |         |
| 26      | 90201201000 | NUT                 | 1   |      | M10            |                   |                 |         |
| 27      | 36050125130 | BUSH                | 1   |      |                |                   |                 |         |
| 28      | 91001100800 | O-RING              | 1   |      | 1A P8          |                   |                 |         |
| 29      | 91411000800 | RING,BACKUP         | 1   |      |                |                   |                 |         |
| 30      | 36050395102 | BOLT,STUD           | 4   |      | M14X1.5        |                   |                 |         |
| 31      | 90209701400 | NUT                 | 4   |      | M14            |                   |                 |         |
| 32      | 36050801400 | WASHER,PLAIN        | 4   |      |                |                   |                 |         |
| 33      | 91002909500 | O-RING              | 2   |      | 1B G95         |                   |                 |         |
| 34      | 90131505015 | BOLT,HEXAGON SOCKET | 4   |      | M5X15          |                   |                 |         |
| 35      | 90740006060 | SCREW,SET           | 1   |      | M6X6           |                   |                 |         |
| 36      | 42732457530 | PLATE ASSY          | 1   |      |                |                   |                 |         |
| 38      | 90131508020 | BOLT,HEXAGON SOCKET | 4   |      | M8X20          |                   |                 |         |
| 39      | 42475952000 | SWITCH,BOOSTER      | 1   |      |                |                   | 590142          |         |
|         | 42475953000 | SWITCH,BOOSTER      | 1   |      |                | 590143            |                 |         |
| 40      | 80316030040 | PLUG                | 1   |      | PT1/4          |                   |                 |         |
| 41      | 91002800800 | O-RING              | 1   |      | 1B P8          |                   |                 |         |
| 50      | 42736603000 | BOOSTER             | 1   |      |                |                   |                 |         |

# AT-142-3 42020342100 LOWER,ISUZU KK-NKR71E3N5JX

| Pos No. | Parts No    | Parts Name   | Qty | Unit | Technical Data | Serial No (Start) | Serial No (End) | Remarks | Pages |
|---------|-------------|--------------|-----|------|----------------|-------------------|-----------------|---------|-------|
| 1       | 42733561000 | EARTH        | 1   |      |                |                   |                 |         |       |
| 2       | 42733560100 | CABLE        | 1   |      |                |                   |                 |         |       |
| 3       | 90101208016 | BOLT         | 1   |      | M8X16          |                   |                 |         |       |
| 4       | 42733560030 | PLATE        | 1   |      |                |                   |                 |         |       |
| 5       | 80720104028 | PIN,SPRING   | 1   |      | 4X28           |                   |                 |         |       |
| 6       | 90303070801 | WASHER,PLAIN | 1   |      | 8              |                   |                 |         |       |

CLICK HERE TO **DOWNLOAD** THE COMPLETE MANUAL

- Thank you very much for reading the preview of the manual.
- You can download the complete manual from: [www.heydownloads.com](http://www.heydownloads.com) by clicking the link below



- Please note: If there is no response to CLICKING the link, please download this PDF first and then click on it.

CLICK HERE TO **DOWNLOAD** THE COMPLETE MANUAL