

AT-103-1 42029140300 LOWER,ISUZU U-NKR58E-5EXY
PX1000142-02 MOUNTING PARTS
ASSEMBLY

CLICK HERE TO **DOWNLOAD** THE COMPLETE MANUAL

- Thank you very much for reading the preview of the manual.
- You can download the complete manual from: www.heydownloads.com by clicking the link below



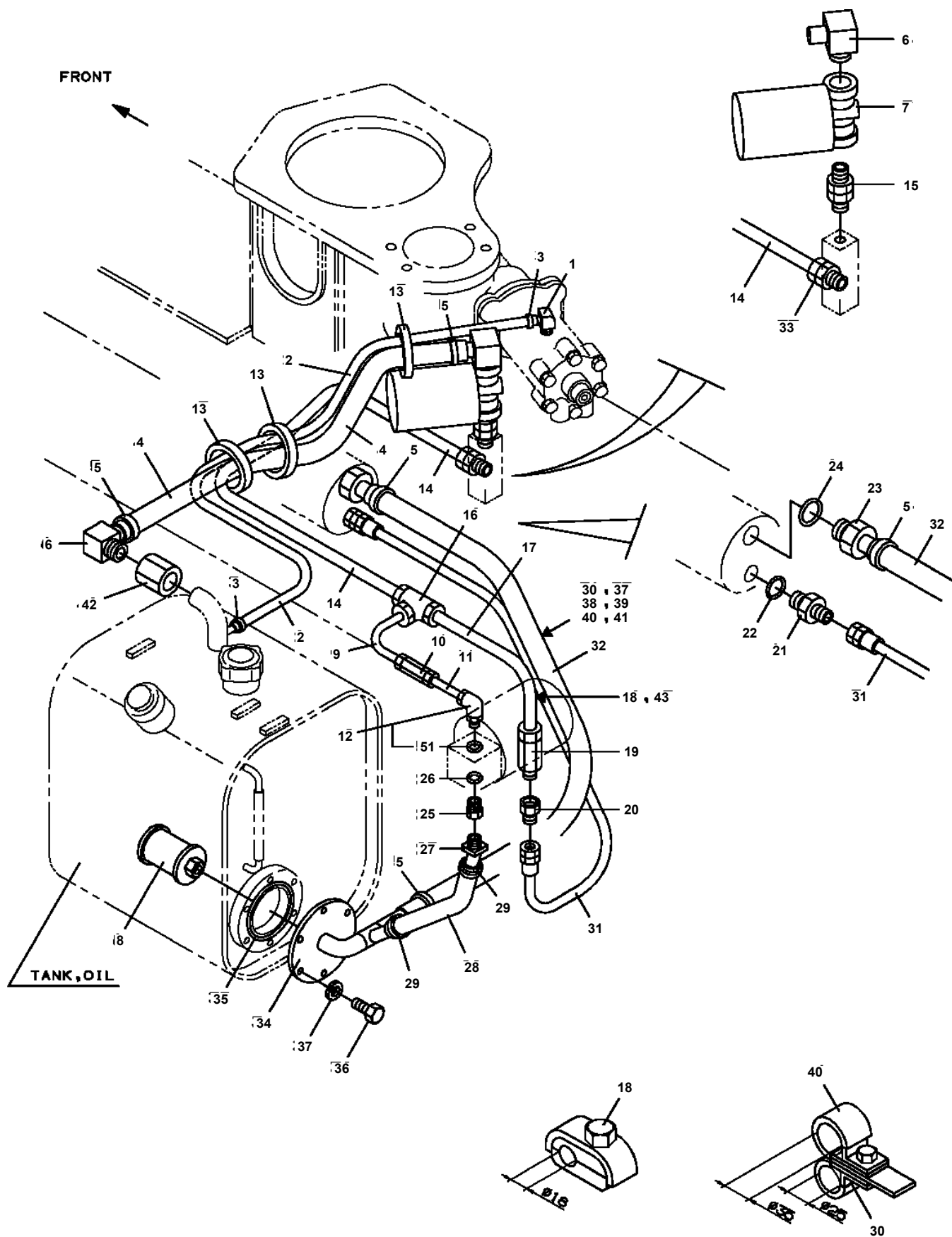
- Please note: If there is no response to CLICKING the link, please download this PDF first and then click on it.

CLICK HERE TO **DOWNLOAD** THE COMPLETE MANUAL

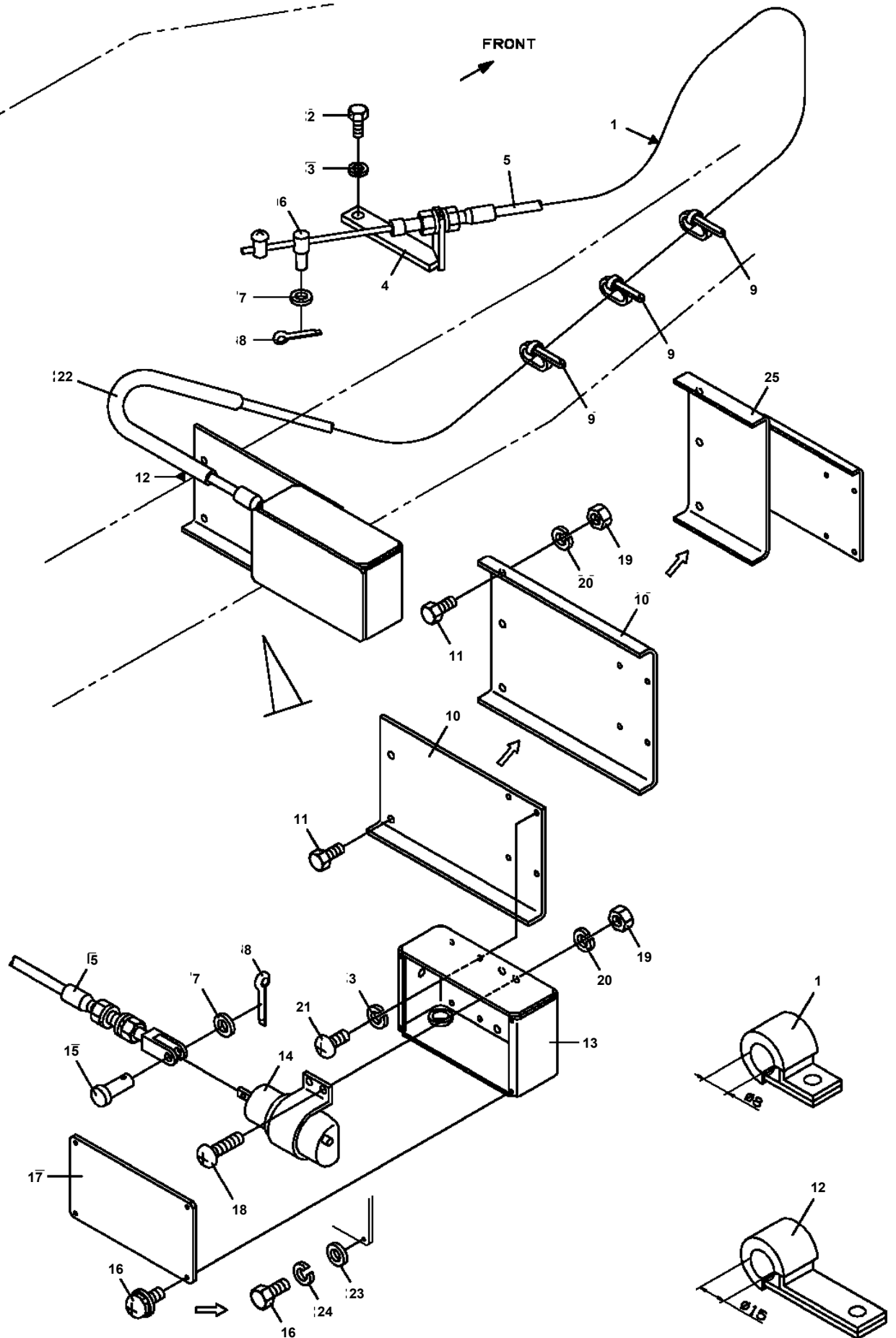
AT-103-1 42029140300 LOWER,ISUZU U-NKR58E-5EXY

Pos No.	Parts No	Parts Name	Qty	Unit	Technical Data	Serial No (Start)	Serial No (End)	Remarks	Pages
8	36650035070	BACKUP STRIP	2						
9	36650035080	GASKET	2						
10	52263902050	GASKET	2						
13	36650035090	SEAL,OIL	1						
20	36650590000	PUMP,HYDRAULIC	1						

**AT-103-1 42029140300 LOWER,ISUZU U-NKR58E-5EXY
PB1410192-00 PIPING,HYDRAULIC LOWER**



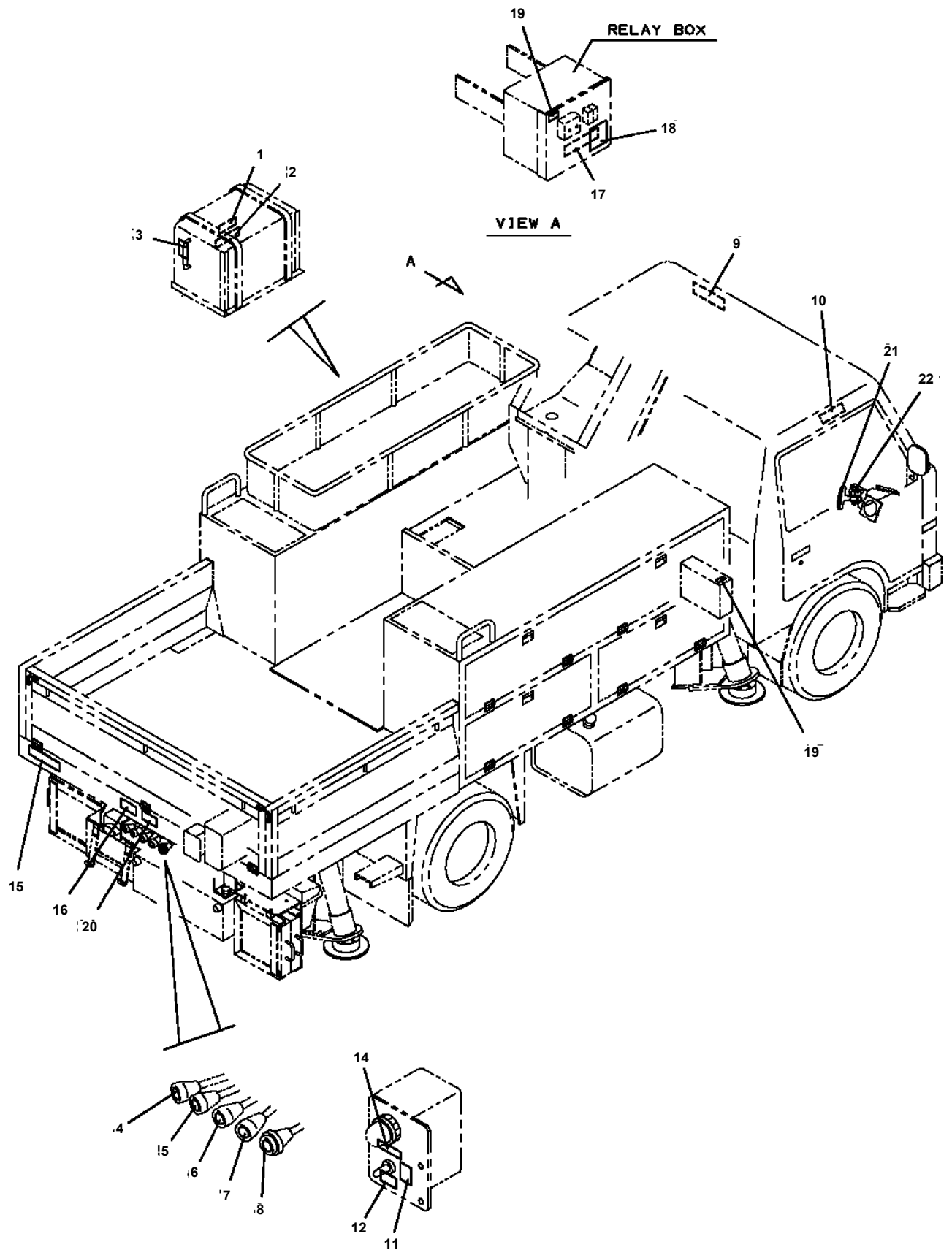
AT-103-1 42029140300 LOWER, ISUZU U-NKR58E-5EXY
PL1030125-02 OPERATION SYSTEM, ACCELERATOR



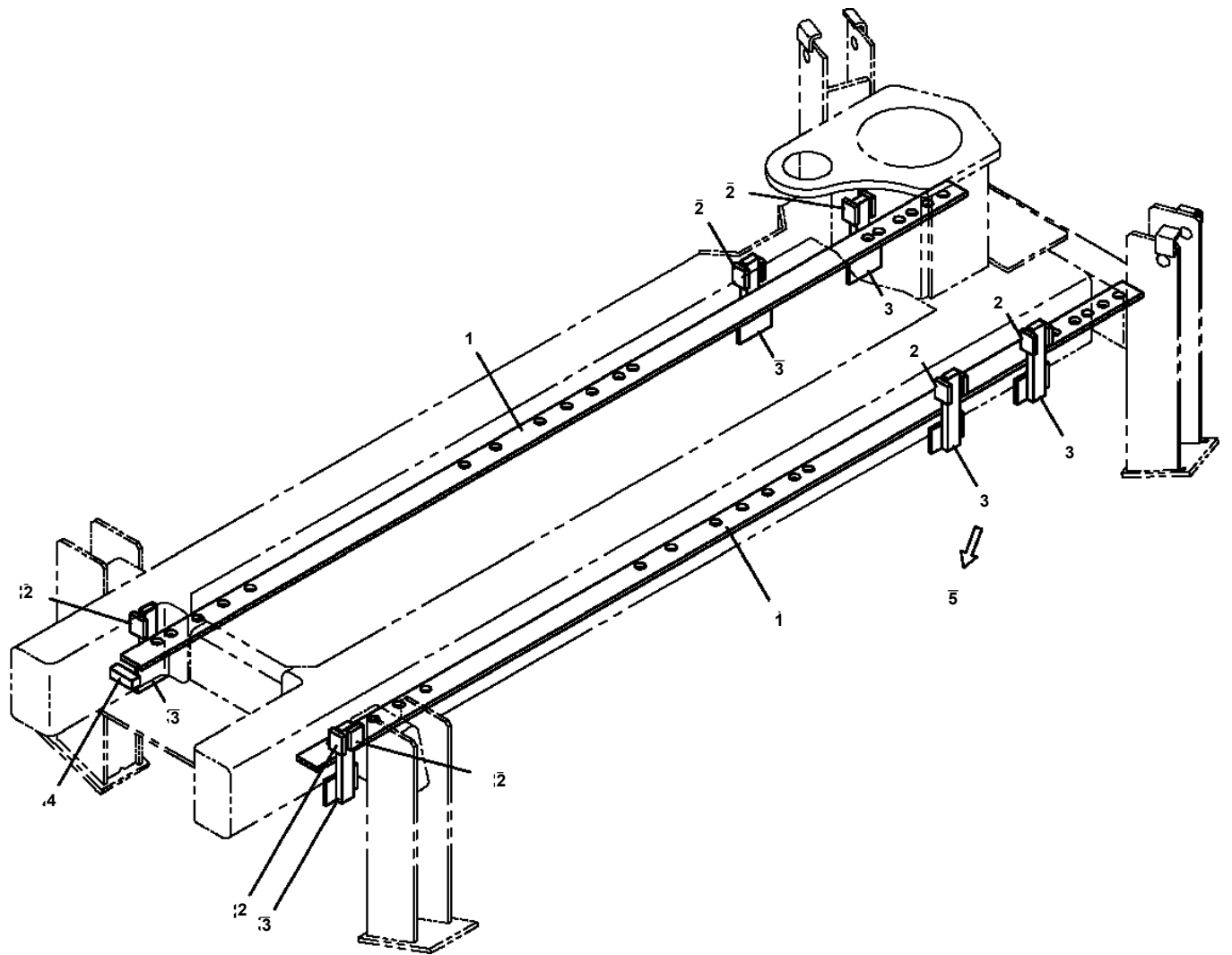
AT-103-1 42029140300 LOWER,ISUZU U-NKR58E-5EXY

Pos No.	Parts No	Parts Name	Qty	Unit	Technical Data	Serial No (Start)	Serial No (End)	Remarks	Pages
1	42732963010	HARNESS	1						
2	91800000003	FASTENER	10						

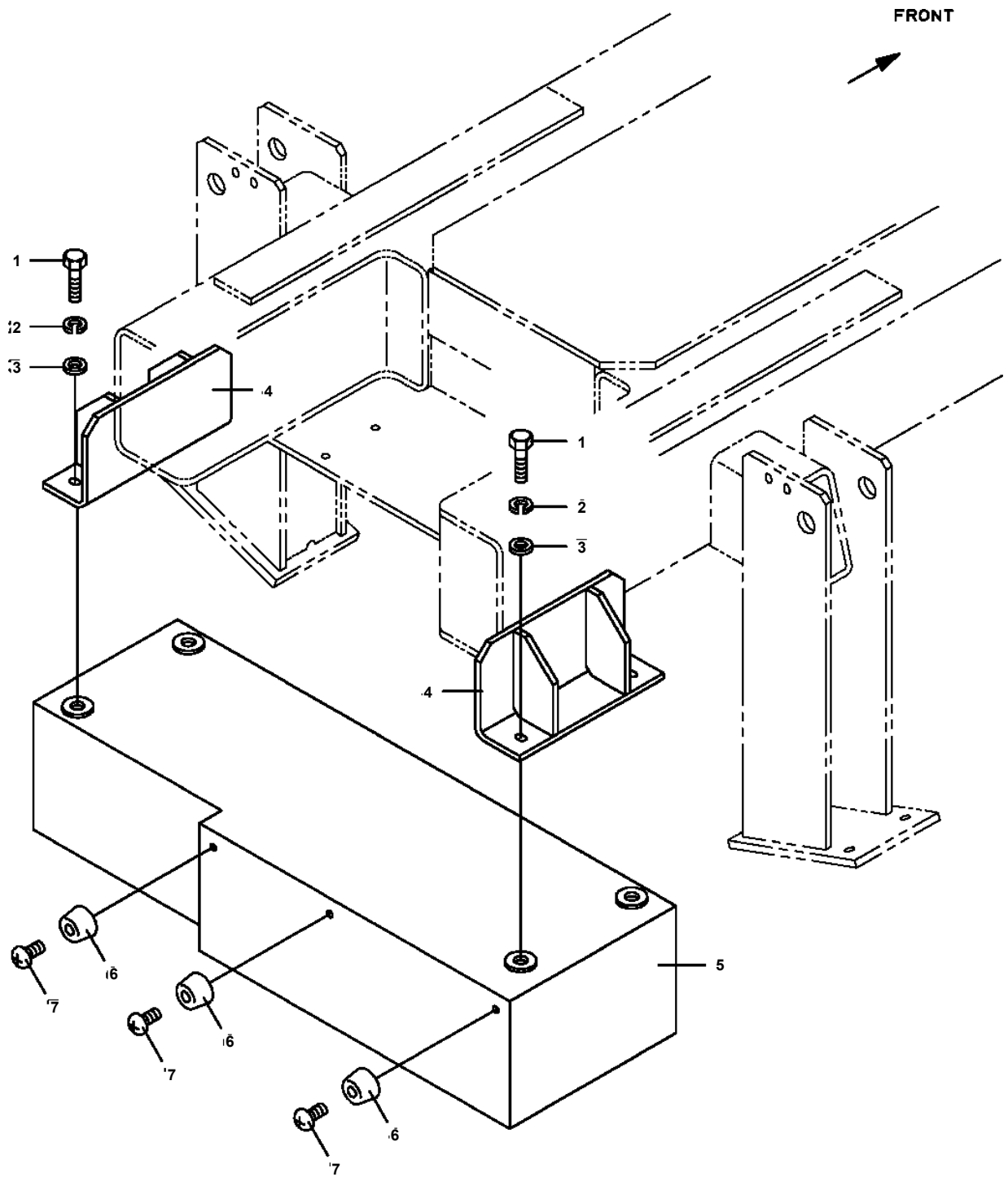
**AT-103-1 42029140300 LOWER,ISUZU U-NKR58E-5EXY
PO1010861-00 PLATE,INDICATION**



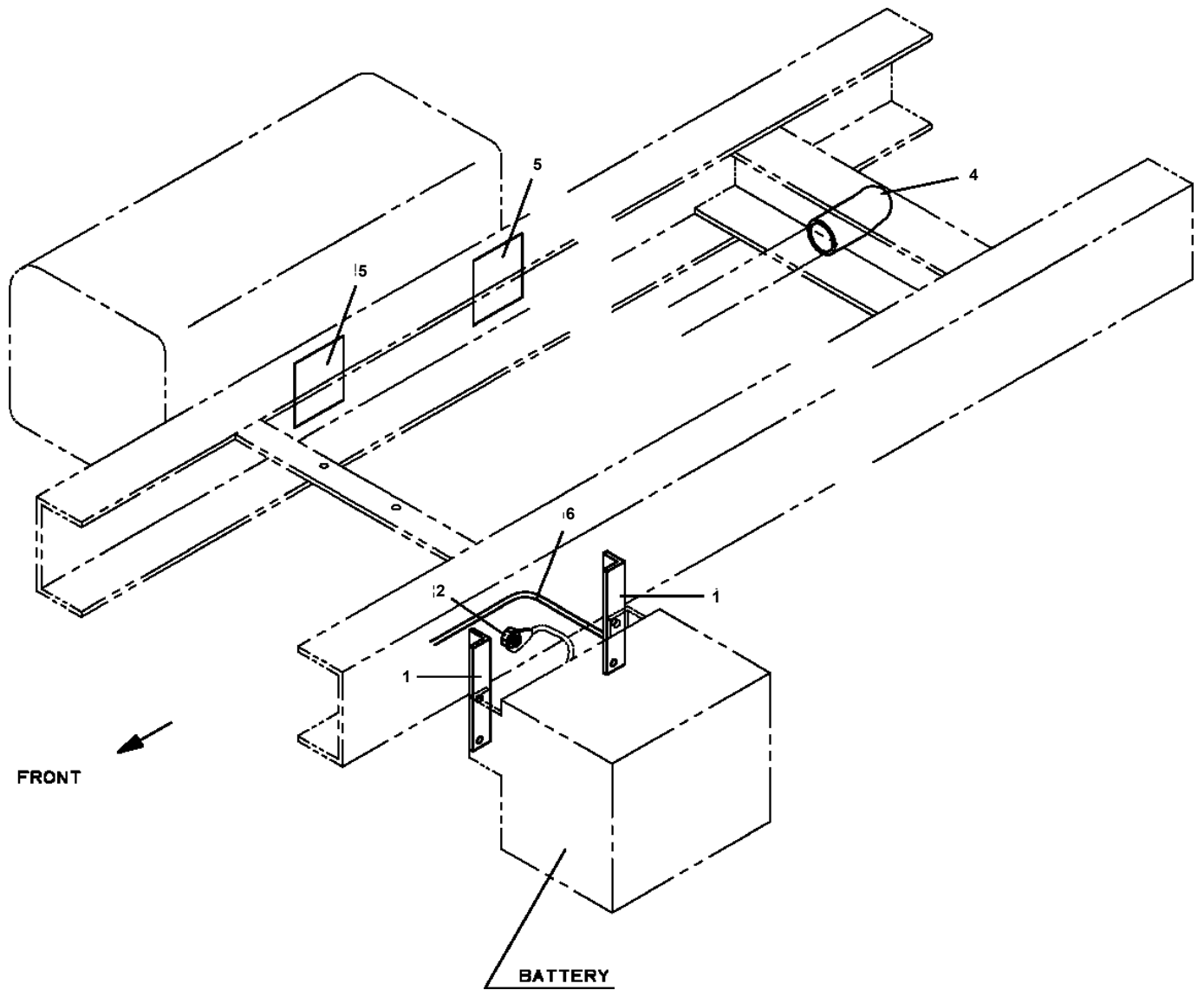
**AT-103-1 42029140300 LOWER, ISUZU U-NKR58E-5EXY
PX1170062-01 ATTACHMENT PARTS, CRANE FRAME**



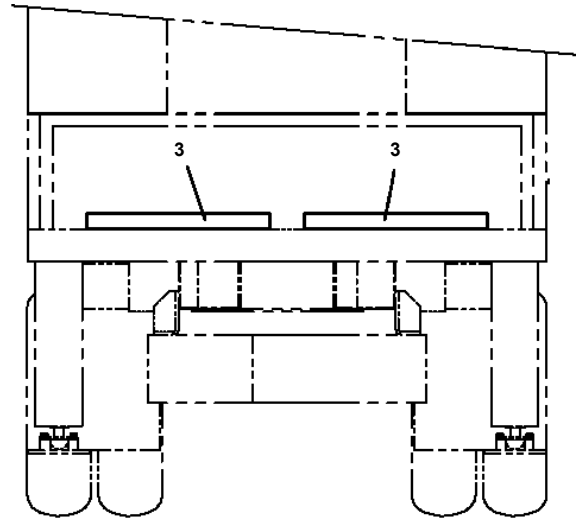
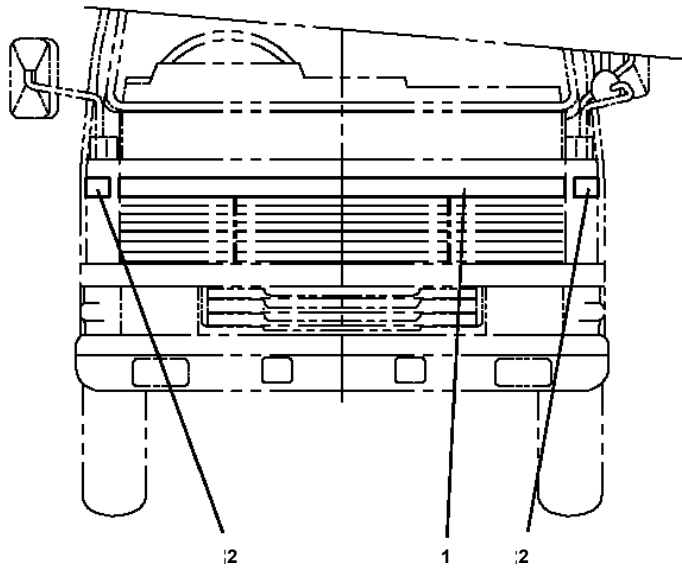
**AT-103-1 42029140300 LOWER,ISUZU U-NKR58E-5EXY
PX1290049-01 WEIGHT INSTALLATION**



**AT-103-1 42029140300 LOWER,ISUZU U-NKR58E-5EXY
PX1390166-00 PARTS,CHASSIS MODIFICATION**



AT-103-1 42029140300 LOWER,ISUZU U-NKR58E-5EXY
PY1530007-00 REFLECTOR



CLICK HERE TO **DOWNLOAD** THE COMPLETE MANUAL

- Thank you very much for reading the preview of the manual.
- You can download the complete manual from: www.heydownloads.com by clicking the link below



- Please note: If there is no response to CLICKING the link, please download this PDF first and then click on it.

CLICK HERE TO **DOWNLOAD** THE COMPLETE MANUAL