

## MINITAURO 60 FRUTTETO -> 41395

### ACCESSORIES

#### GENERAL

3 POINT HITCH.....	0E.00.1
FRONT PERMANENT TOWING HITCH.....	0E.00.2
PERMANENT REAR TOWING HITCH.....	0E.00.3
SWINGING BAR.....	0E.00.4
BELT PULLEY.....	0E.00.5
POWER TAKE-OFF FOR MOWER.....	0E.00.6
BALLAST 96913.....	0E.00.7
TOOL POUCH.....	0E.00.8

CLICK HERE TO **DOWNLOAD** THE COMPLETE MANUAL

- Thank you very much for reading the preview of the manual.
- You can download the complete manual from: [www.heydownloads.com](http://www.heydownloads.com) by clicking the link below



- Please note: If there is no response to CLICKING the link, please download this PDF first and then click on it.

CLICK HERE TO **DOWNLOAD** THE COMPLETE MANUAL

# MINITAURO 60 FRUTTETO -> 41395

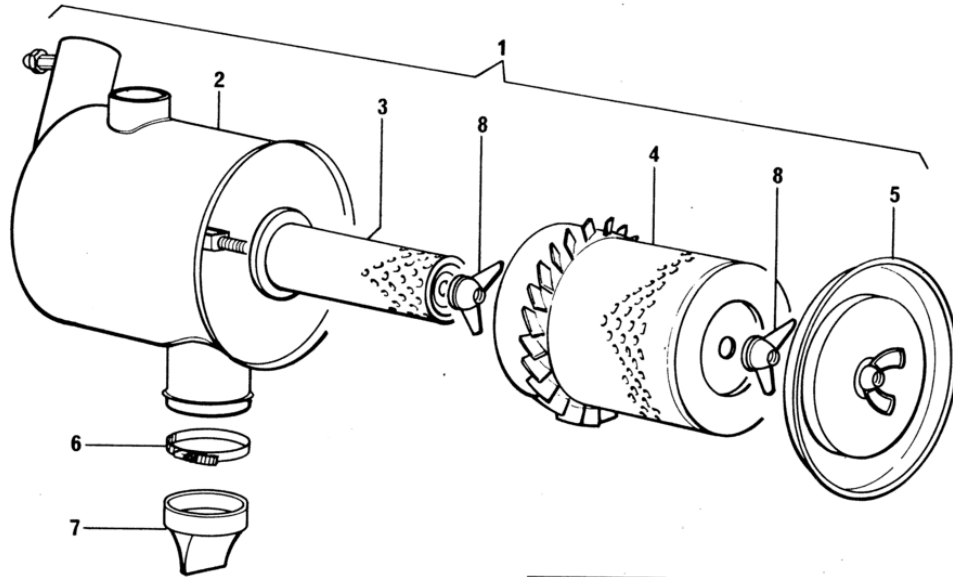
## BODY WORK

### GENERAL

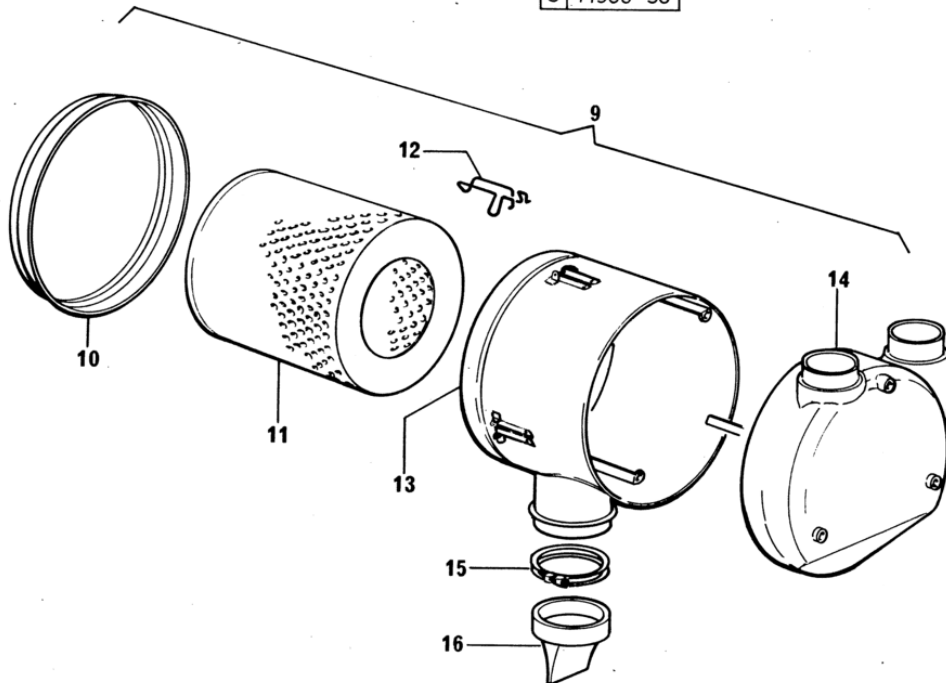
HOOD.....	07.00.1
AIR DUCTING HOOD.....	07.00.2
SUPPORTS.....	07.00.3
DASHBOARD.....	07.00.4
THROTTLE.....	07.00.5
FOOT BOARDS.....	07.00.6
MUDGUARDS WITH SAFETY FRAME.....	07.00.7
FENDERS.....	07.00.8
FUEL SUPPLY SYSTEM.....	07.00.9
AIR FILTER PARTS.....	07.00.10
SEAT - DALMONT.....	07.00.11
SEAT - BOSTROM.....	07.00.12
SEAT-COMPONENTS.....	07.00.13

Section: BODY WORK  
**AIR FILTER PARTS**

Fig.	Code	QTY	Name
1	2.4249.120.0/10	1	air filter
2	0.000.0000.1	1	not serviceable
3	2.4249.120.5	1	old part
4	2.4249.110.2	1	external air filter element
5	2.4249.120.2	1	cover
6	2.4249.120.3	1	clamp
7	2.4249.070.3	1	valve
8	2.4249.060.2	2	wing nut
9	2.4249.090.0	1	air filter
10	2.4249.100.3	1	cover
11	2.4249.090.1	1	external air filter element
12	2.4249.020.4	4	spring
13	0.000.0000.1	1	not serviceable
14	0.000.0000.1	1	not serviceable
15	2.6859.010.0	1	clamp
16	2.4249.100.4	1	valve



S 14900-56



**ELECTRIC STARTING SYSTEM**

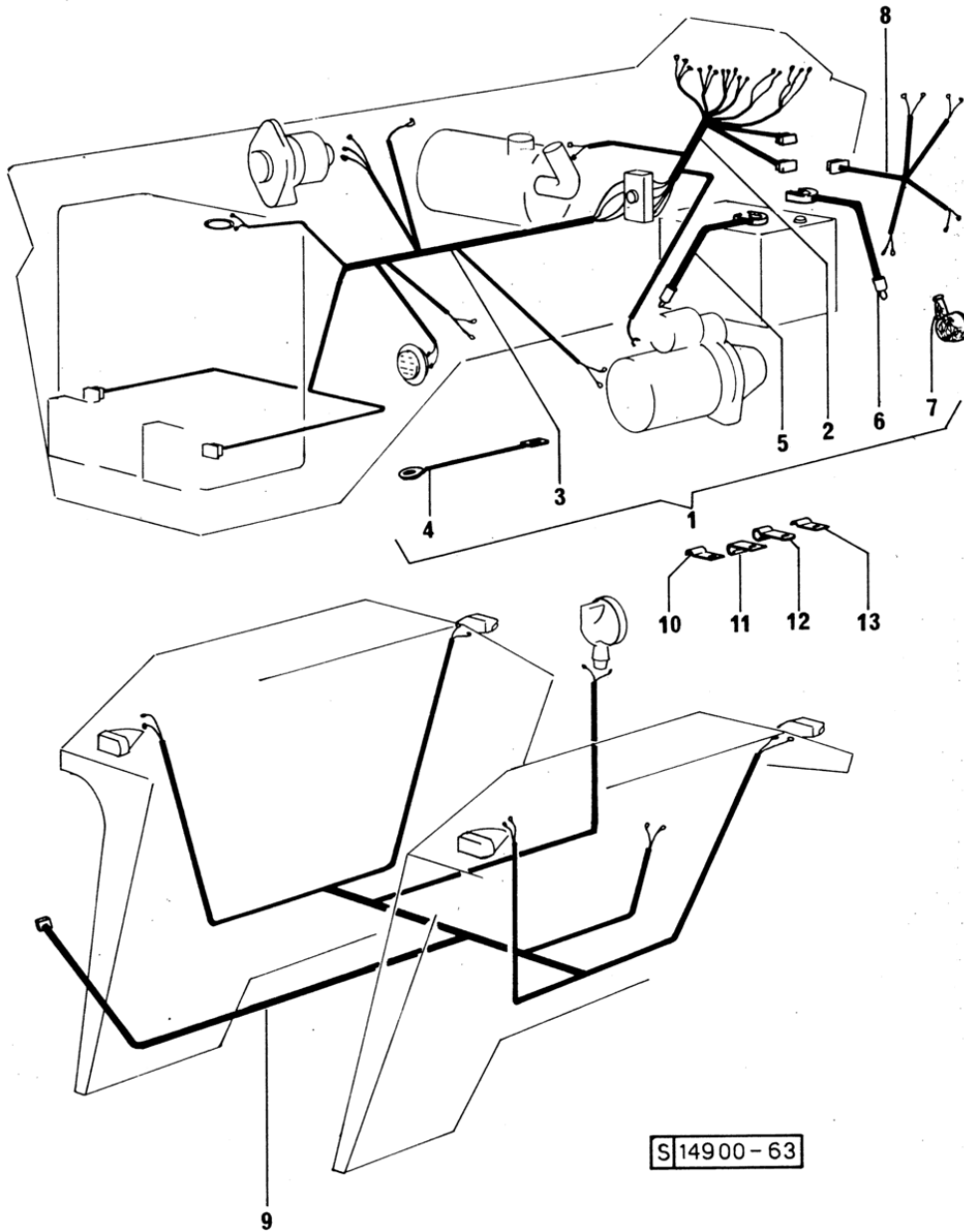


Fig.	Code	QTY	Name
1	0.149.8425.4	1	old part
2	0.149.8425.3	1	old part
3	0.149.8450.3	1	old part
4	0.157.8451.3	1	wire
5	0.157.8414.3	1	old part
6	0.157.8410.3	1	wire
7	2.6519.006.0	1	cap
THE REMAINING PARTS ARE IN DRAWING "ELECTRICAL STARTING SYSTEM"			
8	0.178.8454.3	1	☞ 08.00.5 wire FOR ROAD TYPE AND EXPORT ☞ 08.00.5
9	0.201.8450.3	1	wire
9	0.201.8451.3	1	old part FOR ROAD TYPE AND EXPORT
10	2.6819.002.1	8	bracket
11	2.6819.003.1	1	bracket
12	2.6819.004.2	6	clamp Ø 17
13	2.6819.005.1	1	bracket

**STARTER PARTS**

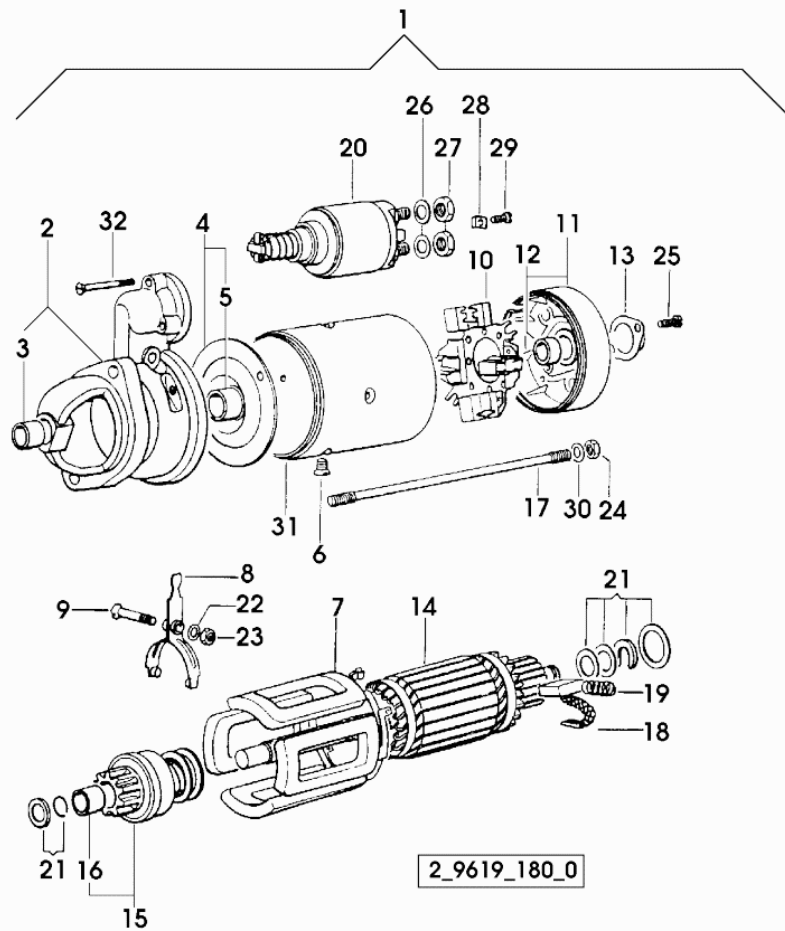


Fig.	Code	QTY	Name
1	2.9619.180.0	1	starter motor 3.5 kW, Z = 11
2	2.9619.181.2	1	support
3	2.9619.080.3	1	sleeve
4	2.9619.180.2	1	support
5	2.9619.090.7	1	sleeve mm 23
6	0.002.2340.0	4	screw m 10 p.1.5x18
7	2.9619.180.7	1	field winding
8	2.9619.080.4	1	lever
9	2.9619.180.5	1	screw
10	2.9619.181.0	1	brush holder
11	2.9619.083.5	1	support
12	2.9619.090.7	1	sleeve mm 23
13	2.9619.083.6	1	cover
14	2.9619.180.1	1	armature
15	2.9619.180.3	1	pinion
16	2.9619.180.4	2	sleeve
17	2.9619.180.6	2	rod
18	2.9619.180.9	1	brush set
19	2.9619.180.8	4	spring
20	2.9619.110.8	1	switch
21	2.9619.021.9	1	accessories
22	2.1470.004.2	1	washer 8
23	2.1011.205.2	1	nut m 8 p.1.25
24	2.1011.103.2	2	nut m 6 p.1
25	2.0220.309.2	2	screw m 5x0.8x14
26	2.1470.006.2	2	lock washer 10
27	0.000.0000.1	0	not serviceable
28	2.9619.090.6	1	small plate
29	2.0332.202.3	1	screw m 4 p.0.7x8
30	2.1310.002.3	2	flat washer 6.4 x 12 x 1.6
31	0.000.0000.1	0	not serviceable
32	2.0250.318.1	3	screw m 5 p.0.8 x 40

**DETAILS OF OIL FILTER**

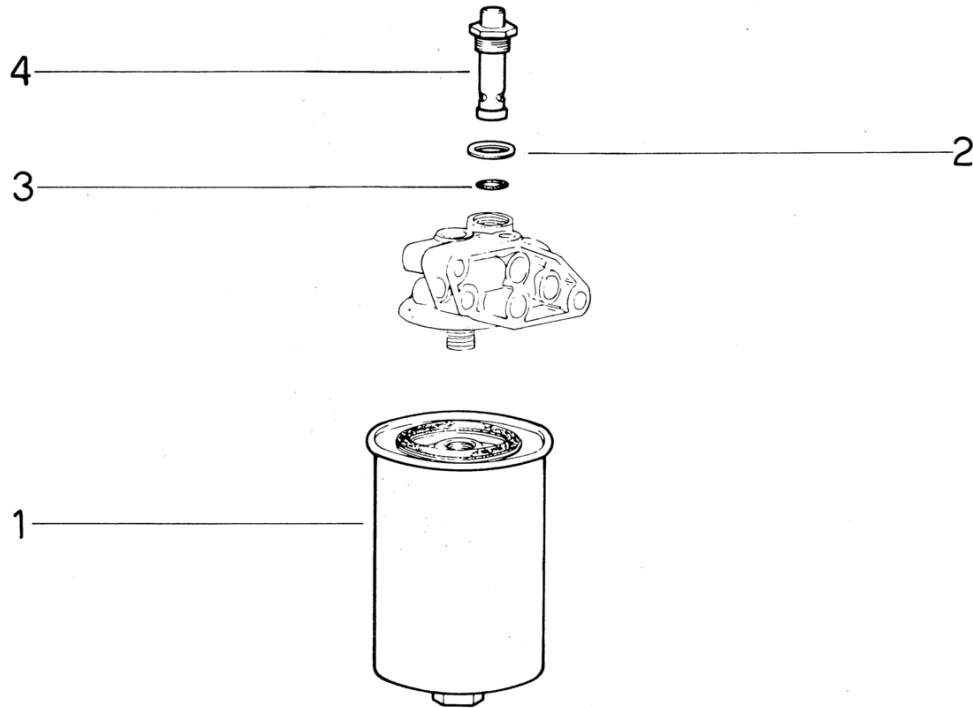


Fig.	Code	QTY	Name
1	2.4419.150.1	1	oil filter element
2	2.4419.130.3	1	gasket
3	2.1530.045.0	1	'o' ring 17.86x2.62
4	2.4419.130.2	1	valve

CLICK HERE TO **DOWNLOAD** THE COMPLETE MANUAL

- Thank you very much for reading the preview of the manual.
- You can download the complete manual from: [www.heydownloads.com](http://www.heydownloads.com) by clicking the link below



- Please note: If there is no response to CLICKING the link, please download this PDF first and then click on it.

CLICK HERE TO **DOWNLOAD** THE COMPLETE MANUAL

Section: ENGINE  
EXHAUST PIPE

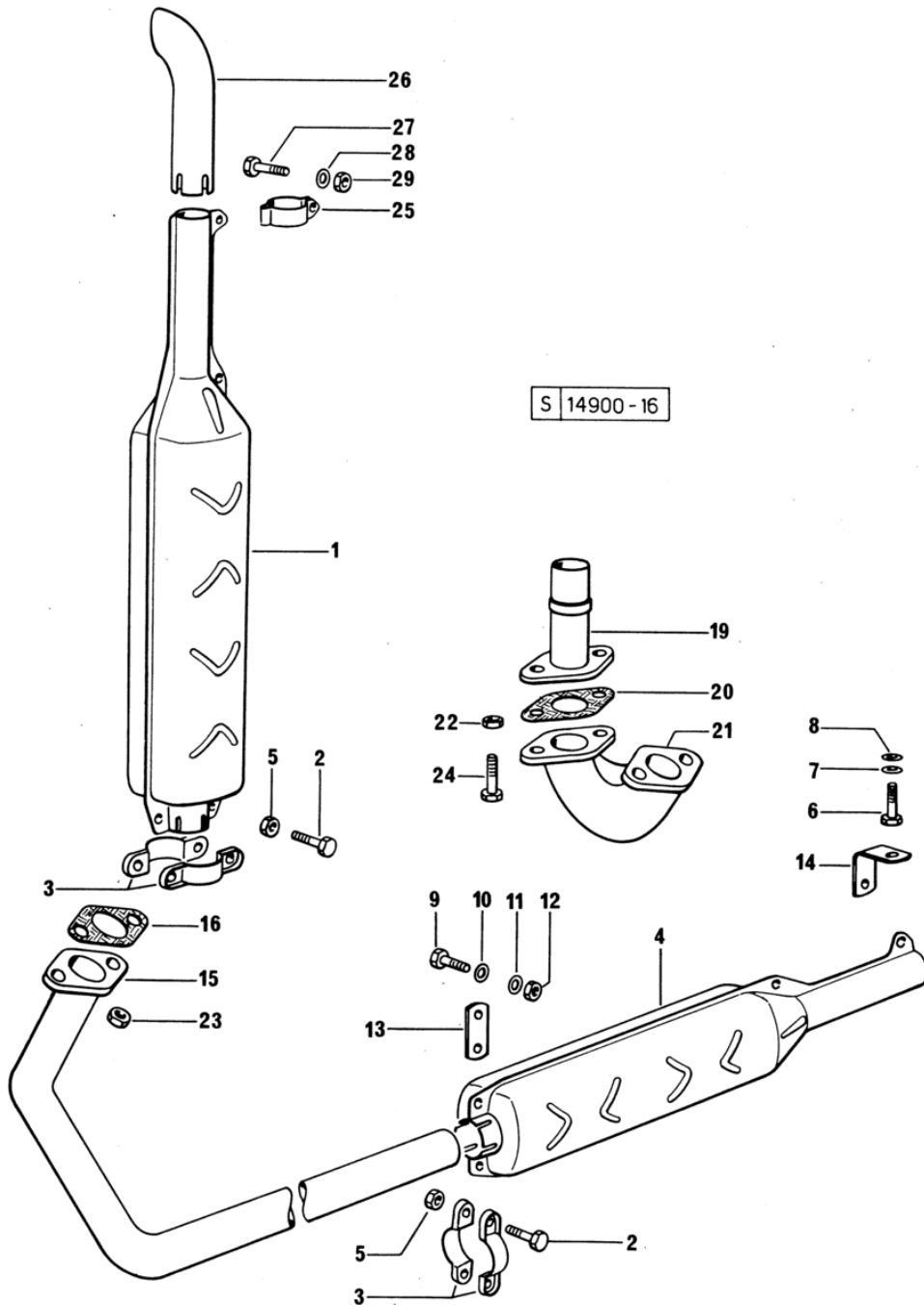


Fig.	Code	QTY	Name
1	0.150.5610.2/10	1	silencer
2	2.0122.211.2	2	screw m 8 p.1x30
3	0.152.5654.0	2	clamp
4	0.150.5610.2/10	1	silencer
5	2.1019.009.0	2	special nut
6	2.0112.307.2	1	screw m 10 p.1.5 x 20
7	2.1470.006.2	1	lock washer 10
8	2.1310.006.2	1	flat washer 10.5
9	2.0122.207.2	2	screw m 8 p.1x20
10	2.1310.004.2	2	flat washer 8.5
11	2.1470.004.2	2	washer 8
12	2.1011.405.2	2	nut m 8 p.1
13	0.146.5663.0	1	small plate
14	0.146.5664.0	1	square
15	0.166.5625.2	1	exhaust
16	0.146.5651.0	1	gasket
19	0.150.5633.2/10	1	exhaust manifold
20	0.135.5651.0	1	gasket
21	0.146.5656.0	1	exhaust manifold
22	2.1011.421.2	2	nut m 10 p.1.25
23	2.1019.015.0	2	special nut m 10
24	2.0122.361.2	2	screw m 10 p 1.25 x 30
25	0.146.5666.0	1	clamp
26	0.146.5665.0	1	terminal
27	2.0122.207.2	1	screw m 8 p.1x20
28	2.1470.004.2	1	washer 8
29	2.1011.405.2	1	nut m 8 p.1

Section: FRONT AXEL  
**2WD - EXTENSIBLE AXLE**

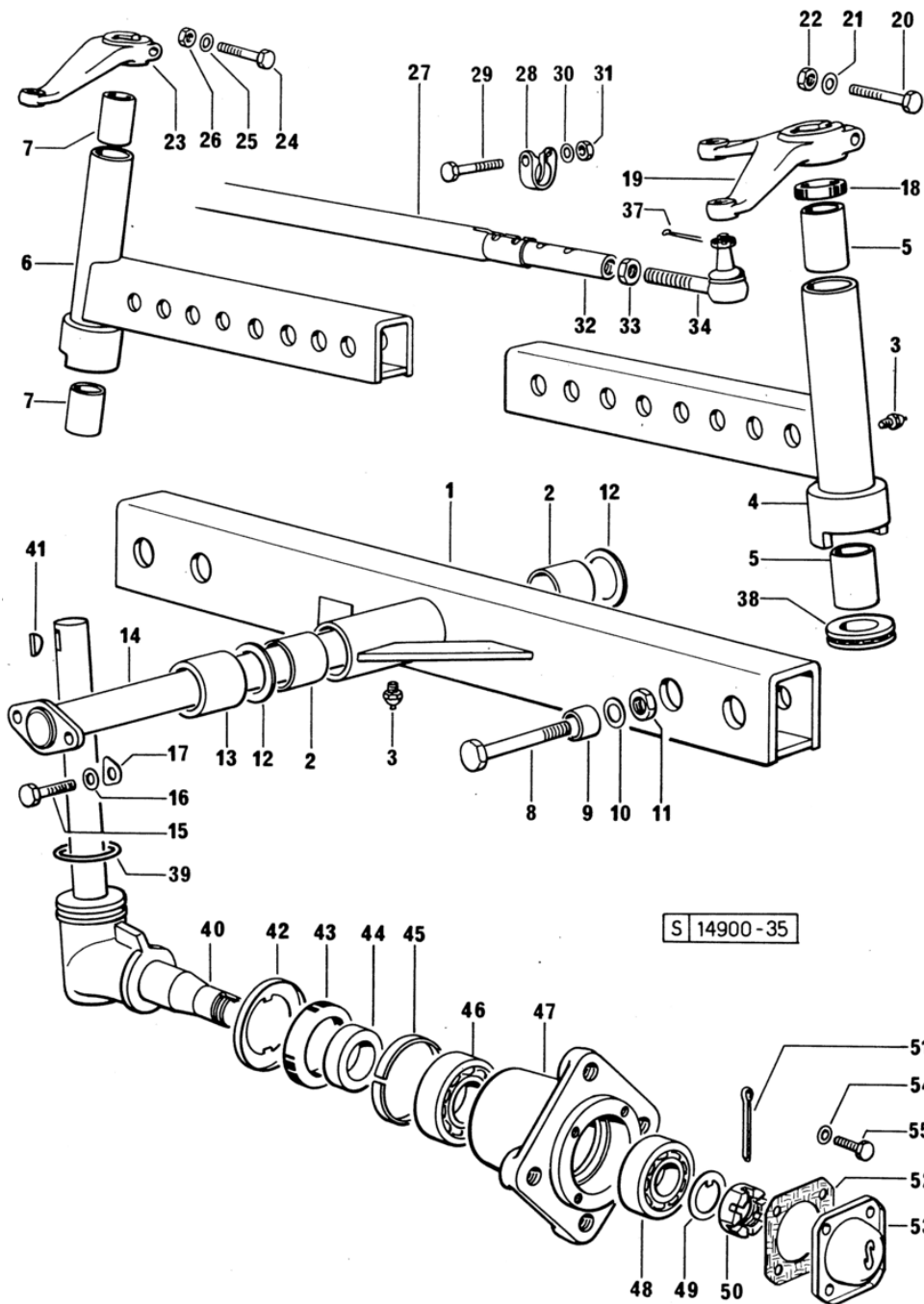


Fig.	Code	QTY	Name
46	2.2530.009.0	2	roller bearing 35 x 80 x 22.75
47	0.146.4224.0	2	wheel hub
48	2.2560.003.0	2	roller bearing 30x72x20.75
49	2.1249.002.0	2	lock-nut 30x50x3
50	2.1029.001.1	2	nut m 30 p.1.5
51	2.1690.516.0	2	split pin a5x50
52	0.001.2921.0	2	gasket
53	0.001.2920.0	2	small cover
54	2.1470.004.2	8	washer 8
55	2.0112.204.2	8	screw m 8 p.1.25x14

Section: GEAR  
**CLUTCH CONTROL**

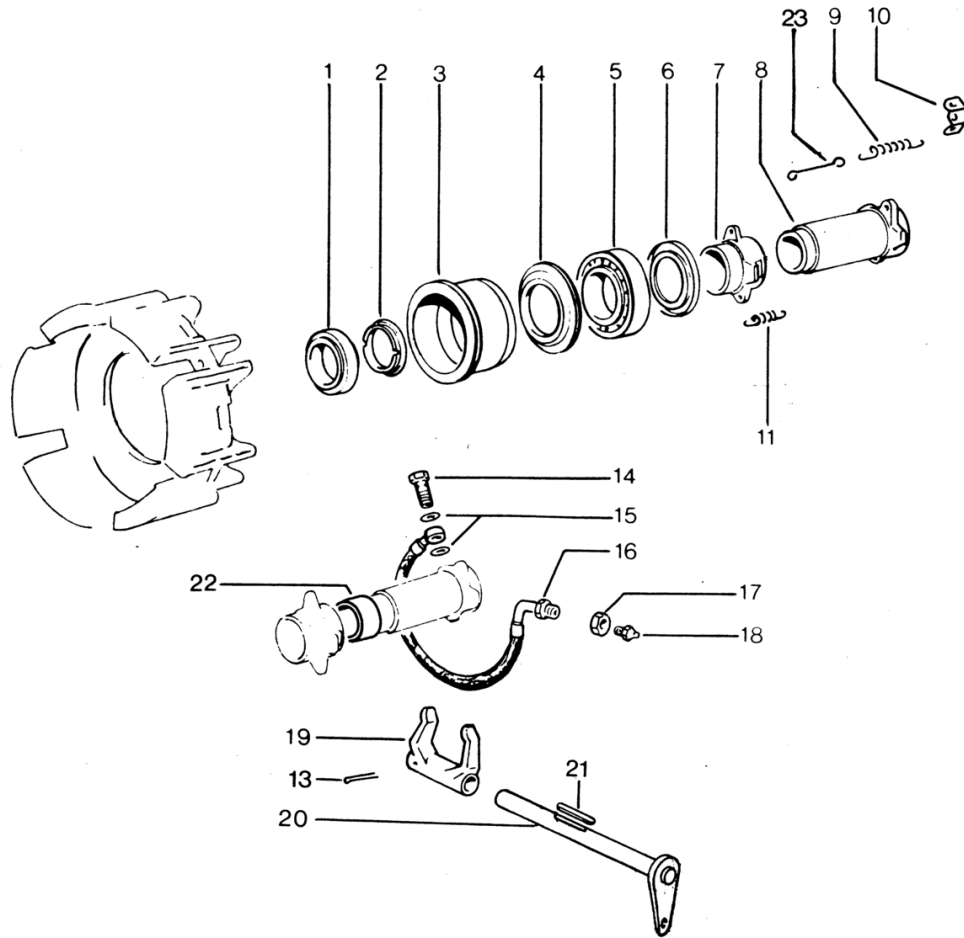


Fig.	Code	QTY	Name
1	2.2999.003.0	1	bearing 65x102x27
2	0.135.6569.0	1	spacer
3	0.194.6550.0	1	cap-washer
4	2.1519.017.0	1	'o' ring
5	2.2040.019.0	1	ball bearing
6	2.1516.016.0	1	ring
7	0.135.6544.0	1	sleeve
8	0.135.6543.0	1	sleeve
9	2.4049.001.1	2	spring
10	0.135.6552.0	2	small plate
11	2.4049.073.1	2	spring
13	2.1690.408.0	1	split pin
14	2.3332.002.1	1	pipe union m 10 p.1.25
15	2.1560.006.0	2	gasket 10.2 x 16
16	0.135.6564.3/10	1	tube
17	2.1011.510.1	1	nut m 18 p.1.5
18	2.3820.105.2	1	lubricator m 10 p.1 x 7
19	0.135.6542.0	1	fork
20	0.146.6564.2	1	shaft
21	2.1710.113.0	1	key
22	0.194.6551.0/10	1	spacer
23	0.194.6562.0	2	clevis

0 198.00 - 16

Section: GEAR

**SUPPLEMENTARY RANGE BOX**

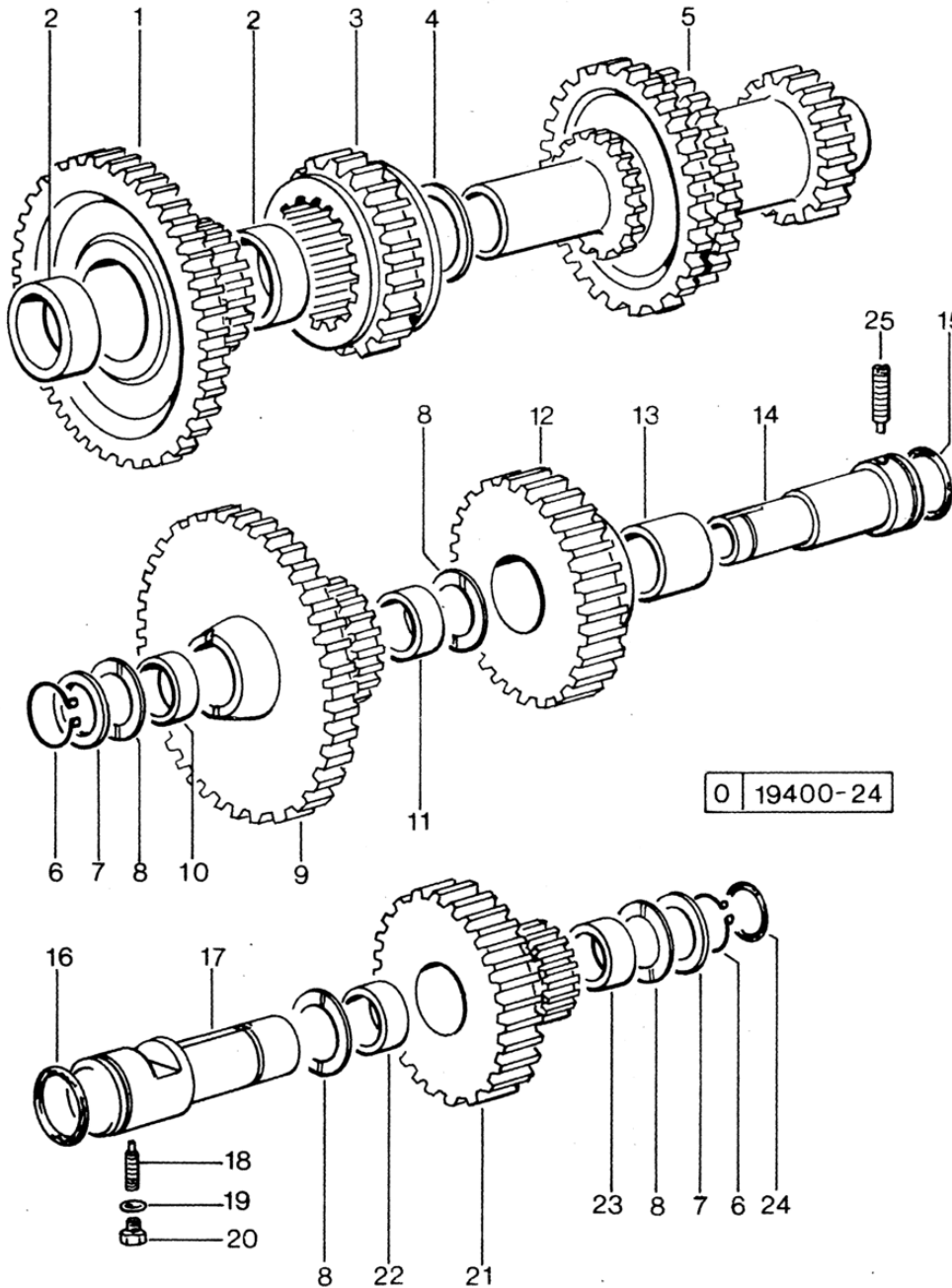


Fig.	Code	QTY	Name
1	0.194.3750.3/10	1	gear Z = 50
2	2.1559.067.0	2	bushing 44.1x50.1x25
3	0.194.3770.0	1	gear
4	0.146.3752.0	2	washer
5	0.194.3771.0	1	countershaft z=30 z=36 z=27 z=19
6	2.1410.016.1	2	circlip 40
7	2.1599.314.0	2	snoulder
8	0.146.3762.0	4	snoulder
9	0.194.3767.3	1	gear
10	2.1552.223.0	1	bushing
11	2.1552.323.0	1	bushing
12	0.194.3769.3	1	gear
13	2.1552.427.0	1	bushing
14	0.194.3772.0/10	1	shaft
15	2.1530.129.0	1	'o' ring 52.07x2.62
16	2.1530.110.0	1	'o' ring
17	0.194.3773.0	1	shaft
18	2.0522.314.1	1	screw
19	2.1560.206.0	1	gasket
20	2.3119.012.1	1	plug
21	0.194.3768.3	1	gear
22	2.1552.223.0	1	bushing
23	2.1552.323.0	1	bushing
24	2.1530.102.0	1	'o' ring 39.34x2.62
25	2.0522.212.1	1	screw m 8 p.1.25 x 30

Section: S.A.C.

**S.A.C. CASE**

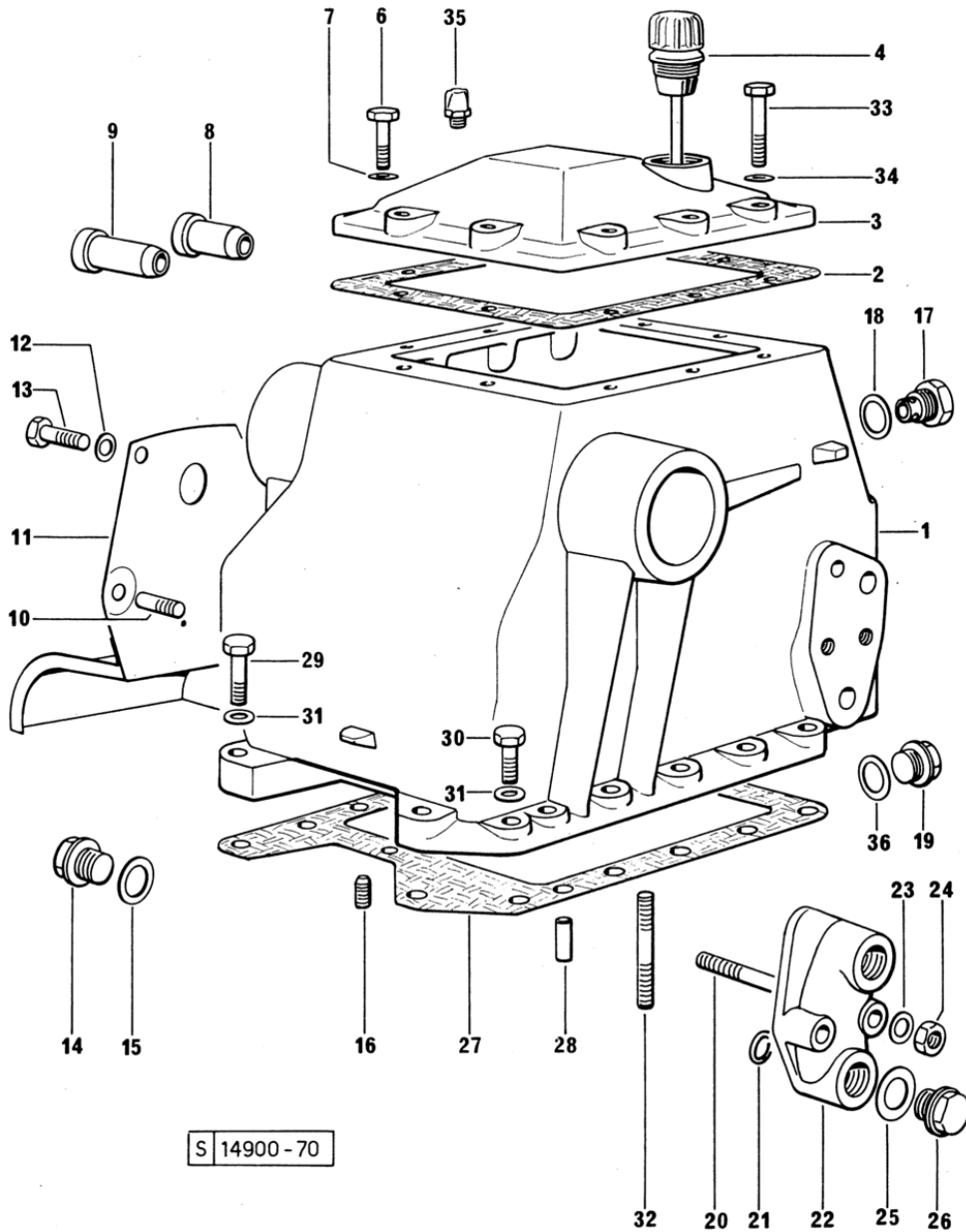


Fig.	Code	QTY	Name
0	0.9031.010.6	1	seal ring kit RUBBER FOR REAR LIFT ASSEMBLY
1	0.9011.110.0/40	1	hydraulics housing
2	0.9011.115.0	1	gasket
3	0.9011.114.0	1	cover
4	0.9011.116.3	1	plug
6	2.0112.213.2	6	screw m 8 p.1.25 x 35
7	2.1470.004.2	10	washer 8
8	0.002.6841.0	1	bushing
9	0.001.3659.0	2	bushing
10	2.0599.007.1/10	1	screw m 10 p.1.5
11	0.9055.118.2	1	cover
12	2.1470.002.2	4	washer 6, d128
13	2.0112.004.2	4	screw m 6 p.1 x 14
14	2.3199.001.2	1	plug 1/2" gas
15	2.1560.054.0	1	gasket 21 x 26
16	0.9011.152.0	1	pin
17	0.002.2263.0	1	plug
18	2.1560.054.0	1	gasket 21 x 26
19	2.3110.304.1	1	plug m 16 p.2x14
20	2.0432.163.1	2	screw
21	2.1530.028.0	2	'o' ring 11.91 x 2.62
21	2.1530.037.0	1	'o' ring 15.08x2.62
22	0.9016.120.0	1	flange
23	2.1470.006.2	2	lock washer 10
24	2.1011.321.2	2	nut m 10 p.1.25
25	2.1560.054.0	2	gasket 21 x 26
26	2.3199.001.2	2	plug 1/2" gas
27	0.9011.951.0	1	gasket
28	2.1652.911.0	2	cylindrical plug 12x25
29	2.0112.317.2	2	screw m 10 p.1.5 x 45
30	2.0112.311.2	9	screw m 10 p.1.5 x 30
31	2.1470.006.2	11	lock washer 10
32	2.0432.325.1	4	stud bolt m 14 p.1.5x100
33	2.0112.215.2	2	screw m 8 p.1.25 x 40
34	2.1310.004.2	2	flat washer 8.5
35	0.001.6587.3	1	screw m 12 x 30
36	2.1560.011.0	1	gasket 16.2x20

Section: S.A.C.

**POWER STEERING LEVERS**

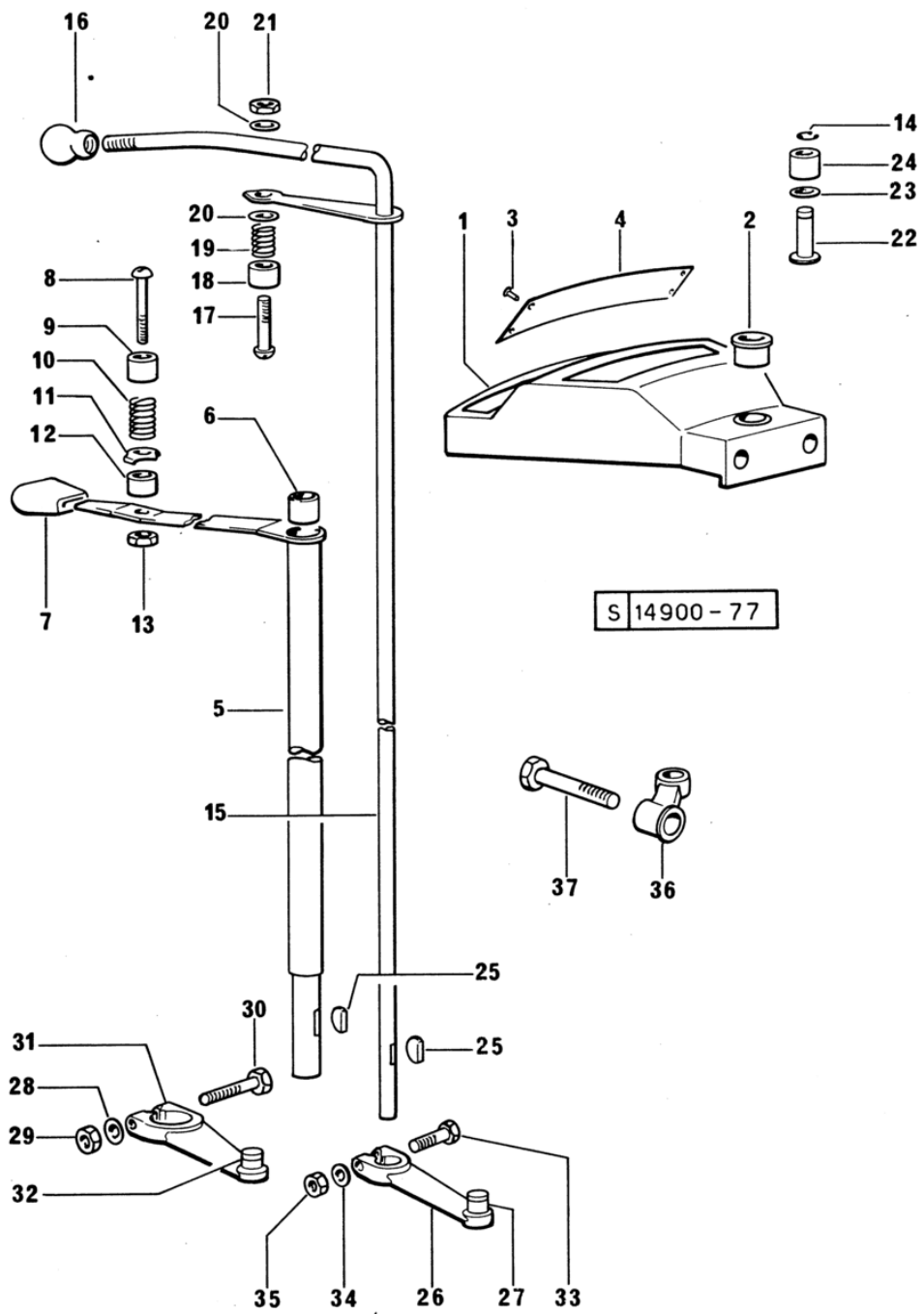


Fig.	Code	QTY	Name
0	0.9011.610.4	1	control quadrant
1	0.001.6279.3	1	sector
2	2.1559.096.0	1	bushing
3	2.1830.009.0	4	self tapping screw
4	0.002.2065.0	1	plate
5	0.9000.620.3/10	1	lever
6	2.1559.095.0	1	bushing
7	0.001.3815.0	1	knob
8	0.001.3804.0	1	pin
9	0.9012.652.0	1	cup
10	2.4019.019.1	1	spring
11	0.9012.623.0	1	pointer
12	0.9012.650.0	1	spacer
13	0.001.9482.0	1	nut
14	2.1430.006.2	2	circlip 5
15	0.9000.630.2/10	1	shaft
16	0.001.3816.0/10	1	knob
17	0.001.3805.0	1	pin
18	0.9012.652.0	1	cup
19	2.4019.019.1	1	spring
20	2.1569.049.0	3	gasket
21	0.001.9482.0	1	nut
22	0.001.3813.0	2	screw
23	0.9012.651.0	2	spacer
24	0.9012.657.2/10	2	knob
25	2.1720.002.0	2	key
26	0.9000.633.3	1	lever
27	0.001.3701.0	1	pin
28	2.1470.002.2	1	washer 6, d128
29	2.1011.103.2	1	nut m 6 p.1
30	2.0112.011.2	1	screw m 6 p.1x30
31	0.9000.624.3/10	1	clutch lever
32	0.001.3701.0	1	pin
33	2.0112.007.2	1	screw m 6 p.1 x 20
34	2.1470.002.2	1	washer 6, d128
35	2.1011.103.2	1	nut m 6 p.1
36	0.9000.650.0	1	support
37	2.0112.220.2	1	screw m 8 p.1.25x55

CLICK HERE TO **DOWNLOAD** THE COMPLETE MANUAL

- Thank you very much for reading the preview of the manual.
- You can download the complete manual from: [www.heydownloads.com](http://www.heydownloads.com) by clicking the link below



- Please note: If there is no response to CLICKING the link, please download this PDF first and then click on it.

CLICK HERE TO **DOWNLOAD** THE COMPLETE MANUAL