

# EXPLORER 65 SPECIAL

## ACCESSORIES

### GENERAL

3-WAY REMOTE CONTROL VALVE (...) <-.....	0E.00.1
3-WAY REMOTE CONTROL VALVE ->(.....)	0E.00.2
HYDRAULIC DISTRIBUTOR-PARTS.....	0E.00.3
4-WAY AUXILIARY SERVICE CONTROL VALVE.....	0E.00.4
6-WAY AUXILIARY SERVICE CONTROL VALVE.....	0E.00.5
3 POINT HITCH.....	0E.00.6
3 POINT HITCH (...) <-.....	0E.00.7
3 POINT HITCH -> (.....)	0E.00.8
TOWING BAR.....	0E.00.9
REAR TOWING HITCH.....	0E.00.10
PERMANENT REAR TOWING HITCH.....	0E.00.11
FRONT PERMANENT TOWING HITCH.....	0E.00.12
FRONT TOWING HITCH.....	0E.00.13
FRONT BALLAST 96929-96930.....	0E.00.14
REAR BALLAST 96908.....	0E.00.15
REAR BALLAST.....	0E.00.16
REAR OSCILLATING HITCH.....	0E.00.17
P.T.O. GUARD.....	0E.00.18
P.T.O. GUARD - EXPORT GB.....	0E.00.19
HYDRAULIC BREAKING FOR TRAILER.....	0E.00.20
VALVE PARTS.....	0E.00.21
SUN GUARD ROOF.....	0E.00.22
FENDERS AND EXTENSIONS.....	0E.00.23
REAR MUDGUARDS.....	0E.00.24
FENDERS.....	0E.00.25
TOOL POUCH.....	0E.00.26
HYDRAULIC DISTRIBUTOR-PARTS.....	2.3719.140.0.A
VALVE PARTS.....	2.3719.160.0.A

CLICK HERE TO **DOWNLOAD** THE COMPLETE MANUAL

- Thank you very much for reading the preview of the manual.
- You can download the complete manual from: [www.heydownloads.com](http://www.heydownloads.com) by clicking the link below

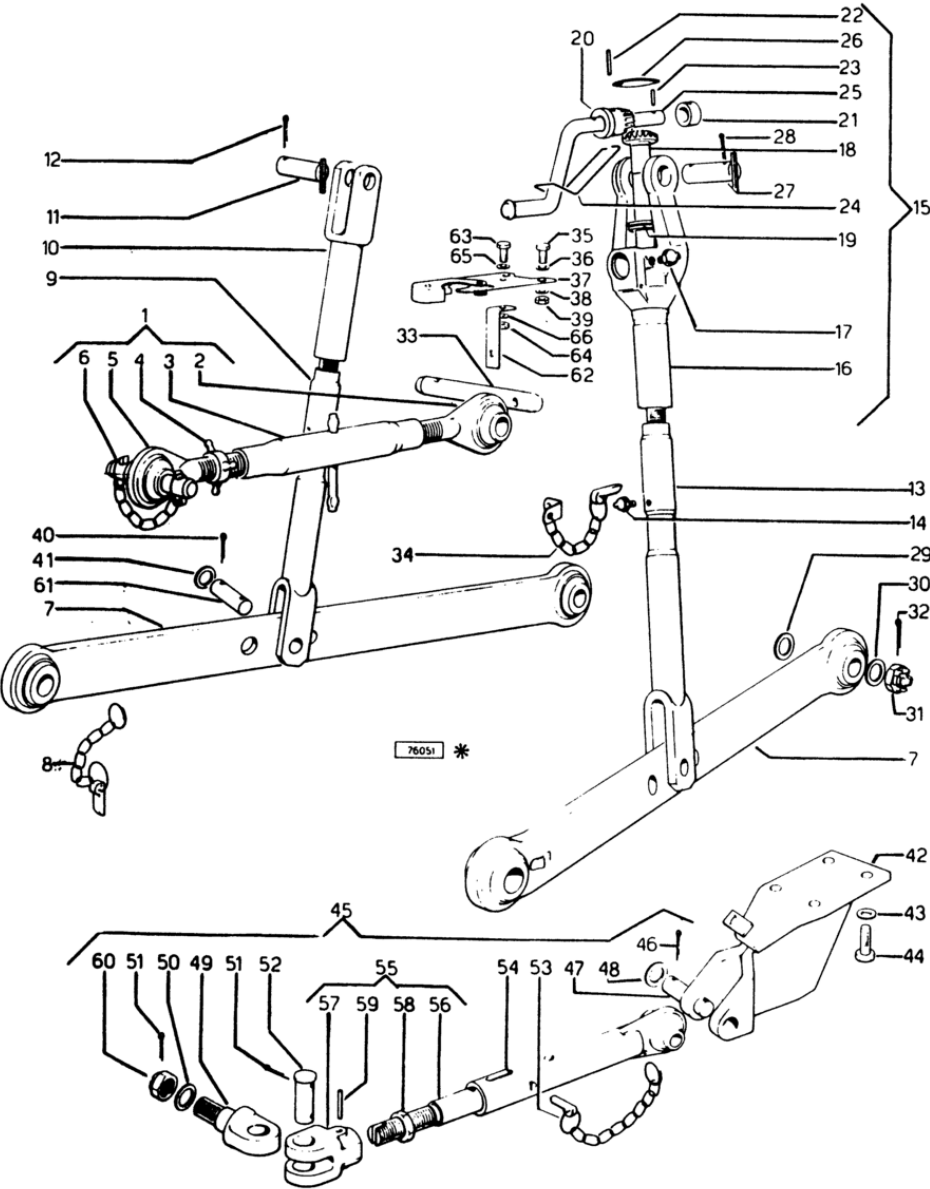


- Please note: If there is no response to CLICKING the link, please download this PDF first and then click on it.

CLICK HERE TO **DOWNLOAD** THE COMPLETE MANUAL

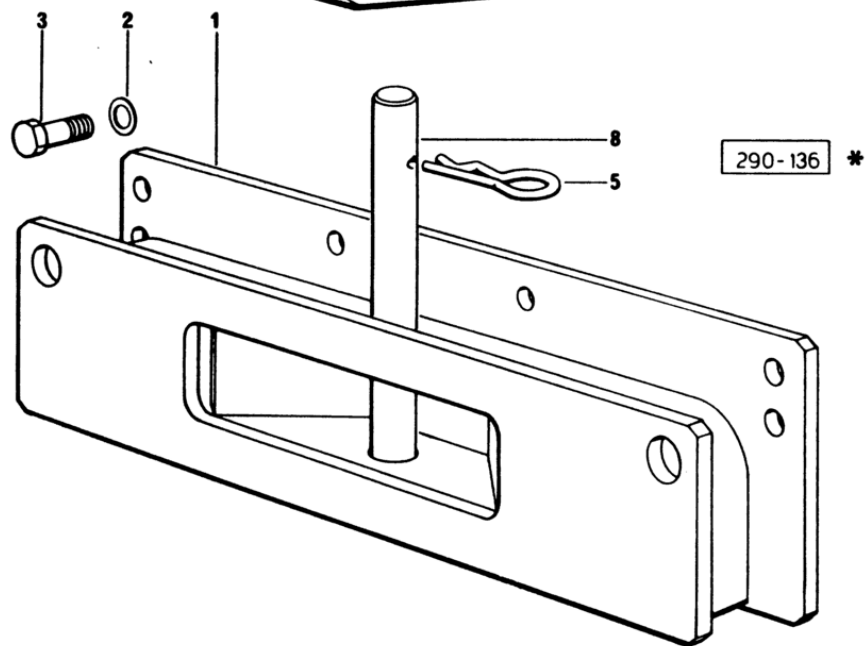
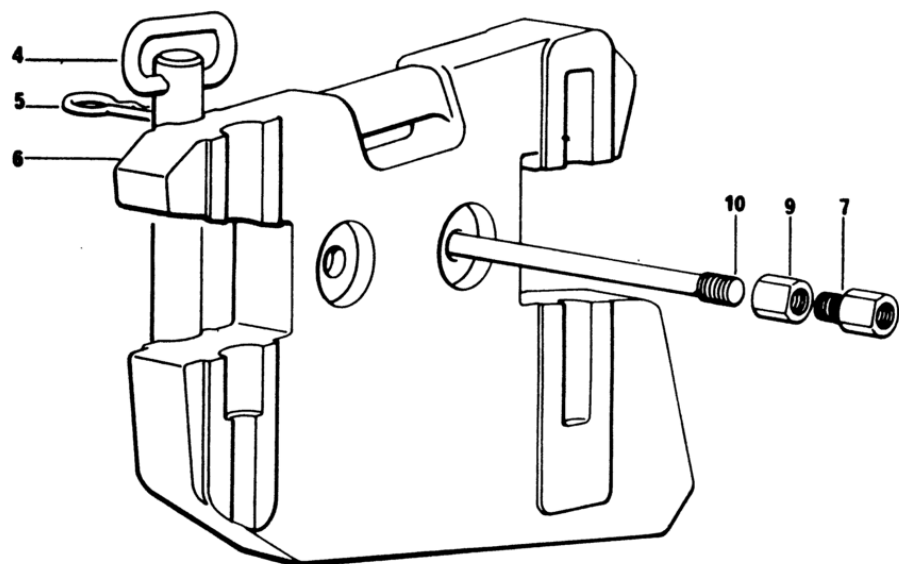
Section: ACCESSORIES  
3 POINT HITCH

Fig.	Code	QTY	Name
43	2.1470.009.2	8	lock washer 16
44	2.0112.615.1	8	screw m 16 p.2 x 40
45	0.96017.42.6	2	stabiliser
46	2.1690.414.2	2	split pin 4x28
47	2.1669.001.0	2	pin 19x110x98
48	2.1310.013.2	4	flat washer 21x37
49	0.96017.50.0/10	2	pin
50	2.1311.011.2	2	flat washer 18
51	2.1690.413.0	4	split pin
52	2.1670.815.0	2	pin
53	0.96017.51.4	2	pin
54	0.96017.42.2	2	stabiliser
55	0.96017.43.4	2	rod
56	0.96017.43.0	2	rod
57	0.96017.44.0	2	fork
58	2.1120.213.2	2	selflock nut m 24 p.2
59	2.1630.616.0	2	roll pin 6x45
60	2.1011.410.1	2	nut m 18 p.1.5
61	2.1699.197.2/10	2	pin
62	0.760.5151.0	1	small plate
63	2.0112.207.2	1	screw m 8 p 1.25 x 20
64	2.1011.105.2	1	nut m 8 p.1.25
65	2.1310.004.2	1	flat washer 8.5
66	2.1470.004.2	1	washer 8



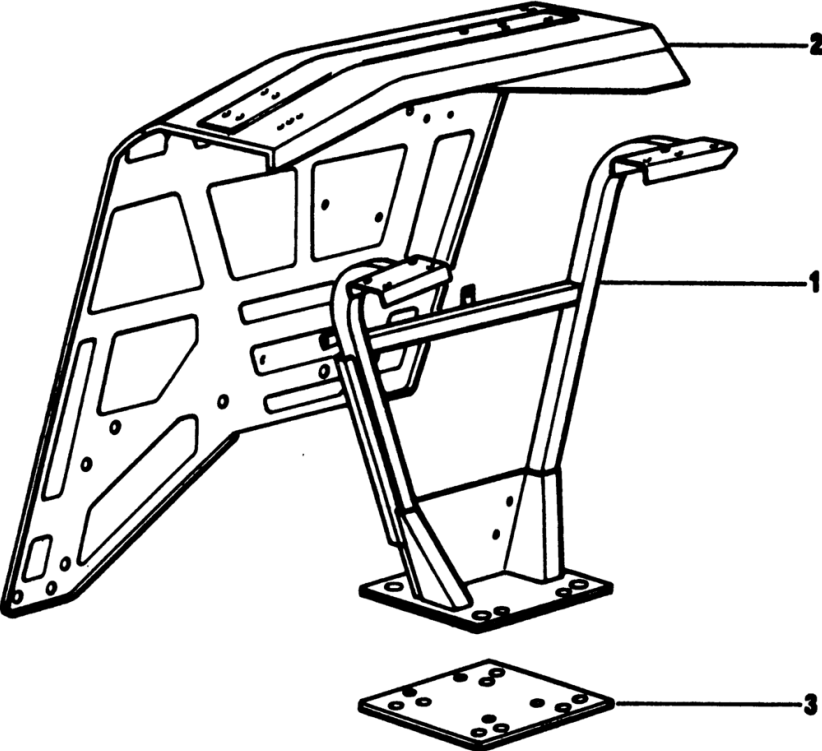
**FRONT BALLAST 96929-96930**

Fig.	Code	QTY	Name
1	0.96955.50.2	1	support
2	2.1310.009.2	6	flat washer 14
3	2.0112.515.1	6	screw m 14 p.2 x 40
4	0.96928.51.2	1	pin
5	2.1699.084.2	2	pin Ø 27
6	0.96929.40.0/10	6	ballast 40 Kg - lb 90
7	0.96916.50.0	4	small column m 14 p.2
8	0.96930.50.0	1	pin mm 28x250
9	2.1099.065.1	4	special nut m 14
10	0.96930.51.0	2	rod



Section: ACCESSORIES  
REAR MUDGUARDS

Fig.	Code	QTY	Name
1	0.290.7811.3/30	1	support sx/lh/li
1	0.290.7812.3/30	1	support dx/rh/re
2	0.290.7821.3/50	1	fender sx/lh/li
2	0.290.7820.3/40	1	fender dx/rh/re
3	0.290.7866.0	2	plate



98834 \*

**HOOD-DUCT**

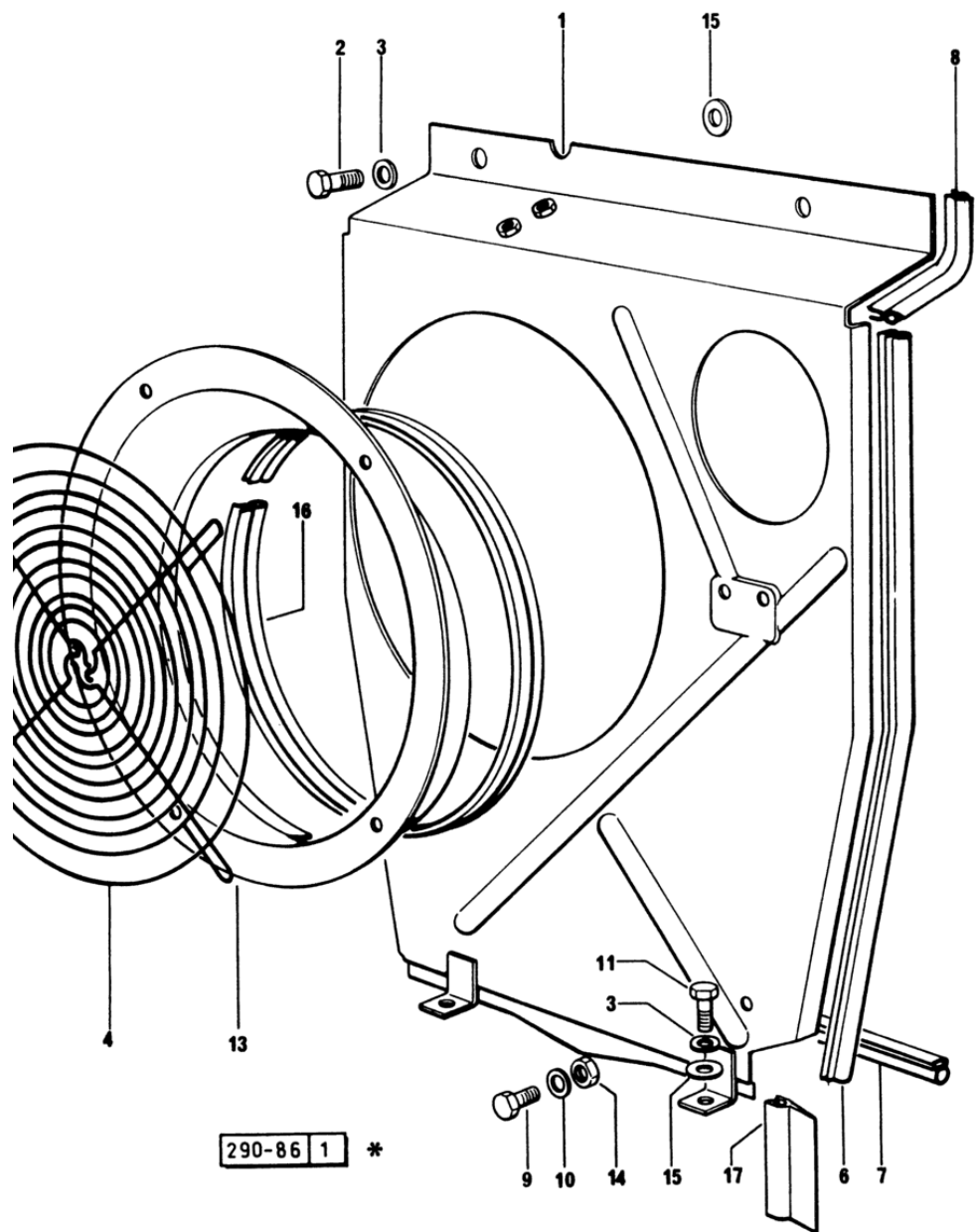
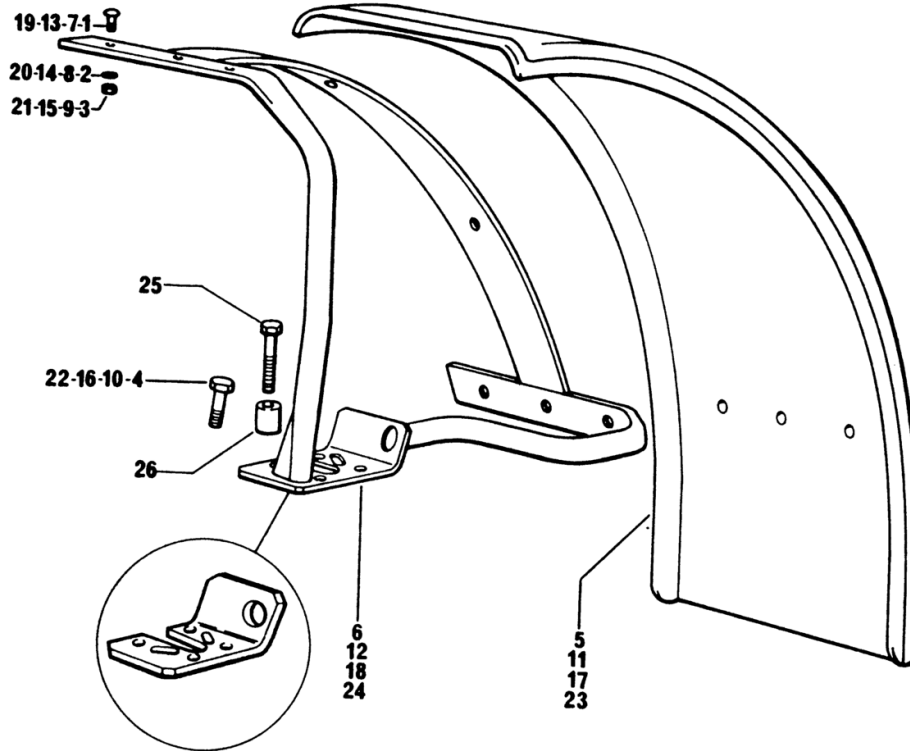


Fig.	Code	QTY	Name
1	0.290.7351.3/70	1	division
2	2.0112.205.2	2	screw m 8 p.1.25 x 16
2	2.0112.305.2	2	screw m 10 p.1.5 x 16
3	2.1470.004.2	2	washer 8
3	2.1470.006.2	2	lock washer 10
4	0.077.1737.2	1	guard
6	0.290.7356.0	2	gasket
7	0.451.7353.0	1	gasket
8	0.451.7354.0	2	gasket
9	2.0313.106.1	4	screw m 6 p.1 x 20
10	2.1310.002.2	4	washer 6.6, d125
11	2.0112.205.2	2	screw m 8 p.1.25 x 16
13	0.445.7315.0	1	duct
14	2.1011.103.2	4	nut m 6 p.1
15	2.1310.004.2	2	flat washer 8.5
15	2.1310.006.2	2	flat washer 10.5
16	0.445.7351.0/10	1	gasket
17	0.290.7371.0	1	gasket

Section: BODY WORK  
**4WD - FRONT MUDGUARDS -> (...)**

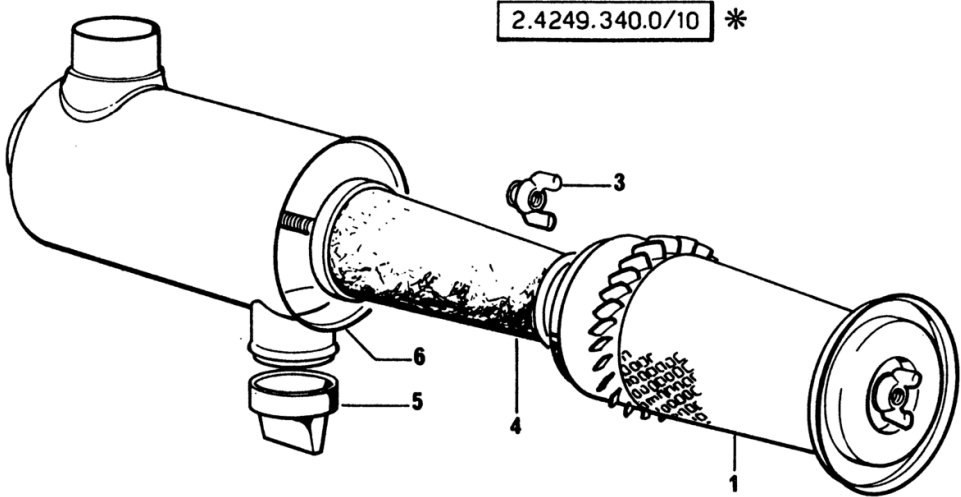
Fig.	Code	QTY	Name
1	2.0020.206.6	16	screw
2	2.1470.004.2	16	washer 8
3	2.1011.105.2	16	nut m 8 p.1.25
4	2.0112.417.2	8	screw m 12 p.1.75 x 45
5	0.163.7632.0	2	fender
6	0.290.7664.2	1	support dx/rh/re 11.2/10x24"
6	0.290.7665.2	1	support sx/lh/li 11.2/10x24"
7	2.0020.206.6	16	screw
8	2.1470.004.2	16	washer 8
9	2.1011.105.2	16	nut m 8 p.1.25
10	2.0112.417.2	8	screw m 12 p.1.75 x 45
11	0.255.7632.0	2	fender
12	0.290.7664.2	1	support dx/rh/re 14.4/11X24" - 13.6/12X24"
12	0.290.7665.2	1	support sx/lh/li 14.4/11X24" - 13.6/12X24"
13	2.0020.206.6	16	screw
14	2.1470.004.2	16	washer 8
15	2.1011.105.2	16	nut m 8 p.1.25
16	2.0112.417.2	8	screw m 12 p.1.75 x 45
17	0.255.7632.0	2	fender
18	0.290.7666.2	1	support dx/rh/re 12.4/11x28"
18	0.290.7667.2	1	support sx/lh/li 12.4/11x28"
19	2.0020.206.2	16	screw m 8 p.1.25 x 25
20	2.1470.004.2	16	washer 8
21	2.1011.105.2	16	nut m 8 p.1.25
22	2.0112.417.2	8	screw m 12 p.1.75 x 45
23	0.202.7632.0/10	2	fender
24	0.290.7666.2	1	support dx/rh/re 14.9/13X24"
24	0.290.7667.2	1	support sx/lh/li 14.9/13X24"
25	2.0112.423.2	8	screw m 12 p.1.75 x 70
26	2.1579.645.0	8	spacer



290-93-1 \*

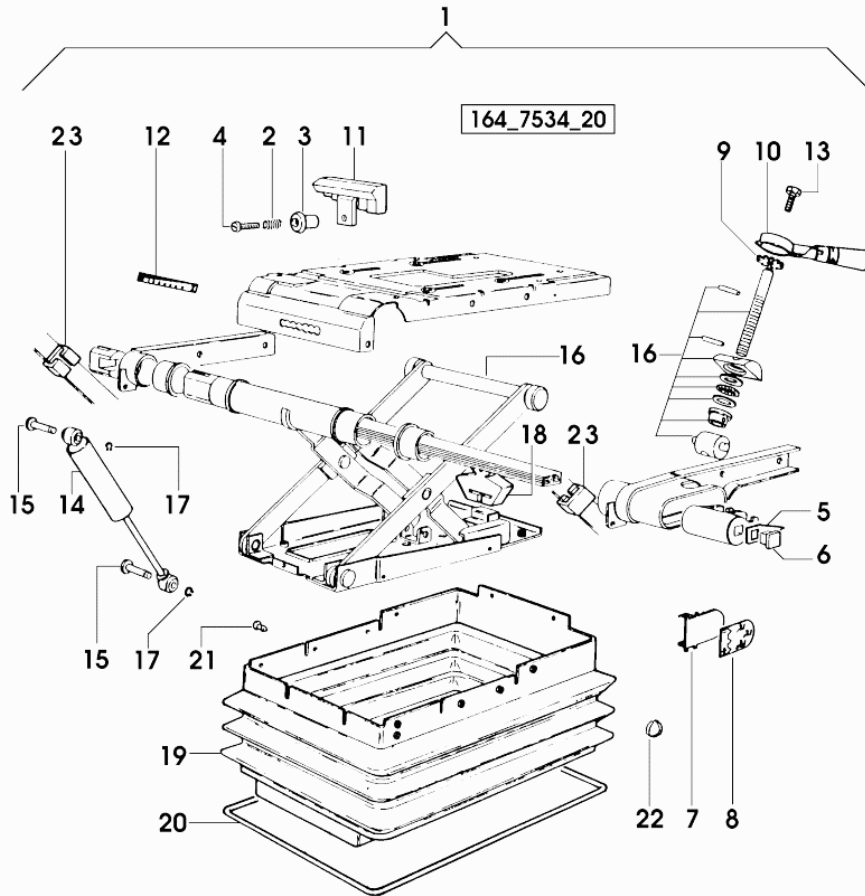
Section: BODY WORK  
AIR FILTER PARTS

Fig.	Code	QTY	Name
0	2.4249.340.0/10	1	air filter 6 " ☞ 2.4249.340.0/10
0	2.4249.430.0	1	air filter 6 " ☞ 2.4249.430.0
1	2.4249.340.1	1	external air filter element
1	2.4249.410.7	1	air filter element
3	2.4249.340.4	1	wing nut 7/16"
3	2.4249.060.2	1	wing nut
4	2.4249.340.2	1	internal air filter element
4	2.4249.410.5	1	air filter element
5	2.4249.100.4	1	valve
5	2.4249.410.1	1	valve
6	0.000.0000.1	1	not serviceable
6	0.000.0000.1	1	not serviceable



Section: BODY WORK  
SEAT SPRINGING

Fig.	Code	QTY	Name
1	0.164.7534.4/20	1	seat springs
2	0.163.7552.0	1	spring
3	0.201.7564.0	1	knob
4	0.255.7572.1	1	screw m 6 p.1 x 25
5	0.163.7560.0	1	pointer
6	0.163.7561.0	1	plug
7	0.163.7558.0	1	plate
8	0.164.7553.1	1	plate
9	0.163.7571.0	1	ring
10	0.201.7559.3	1	handle
11	0.261.7553.1	1	slider
12	0.261.7552.1	1	plate
13	0.164.7554.1	1	screw
14	0.164.7555.1	1	shoch.absorber
15	0.164.7556.1	2	pin
16	0.000.0000.1	0	not serviceable
17	0.164.7557.1	2	circlip
18	0.157.7551.0	1	stopper
19	0.261.7554.1	1	guard
20	0.261.7555.1	1	ring
21	0.201.7563.0	10	stop
22	0.261.7556.1	1	circlip
23	0.163.7562.0	2	stopper



**ELECTRIC STARTING SYSTEM**

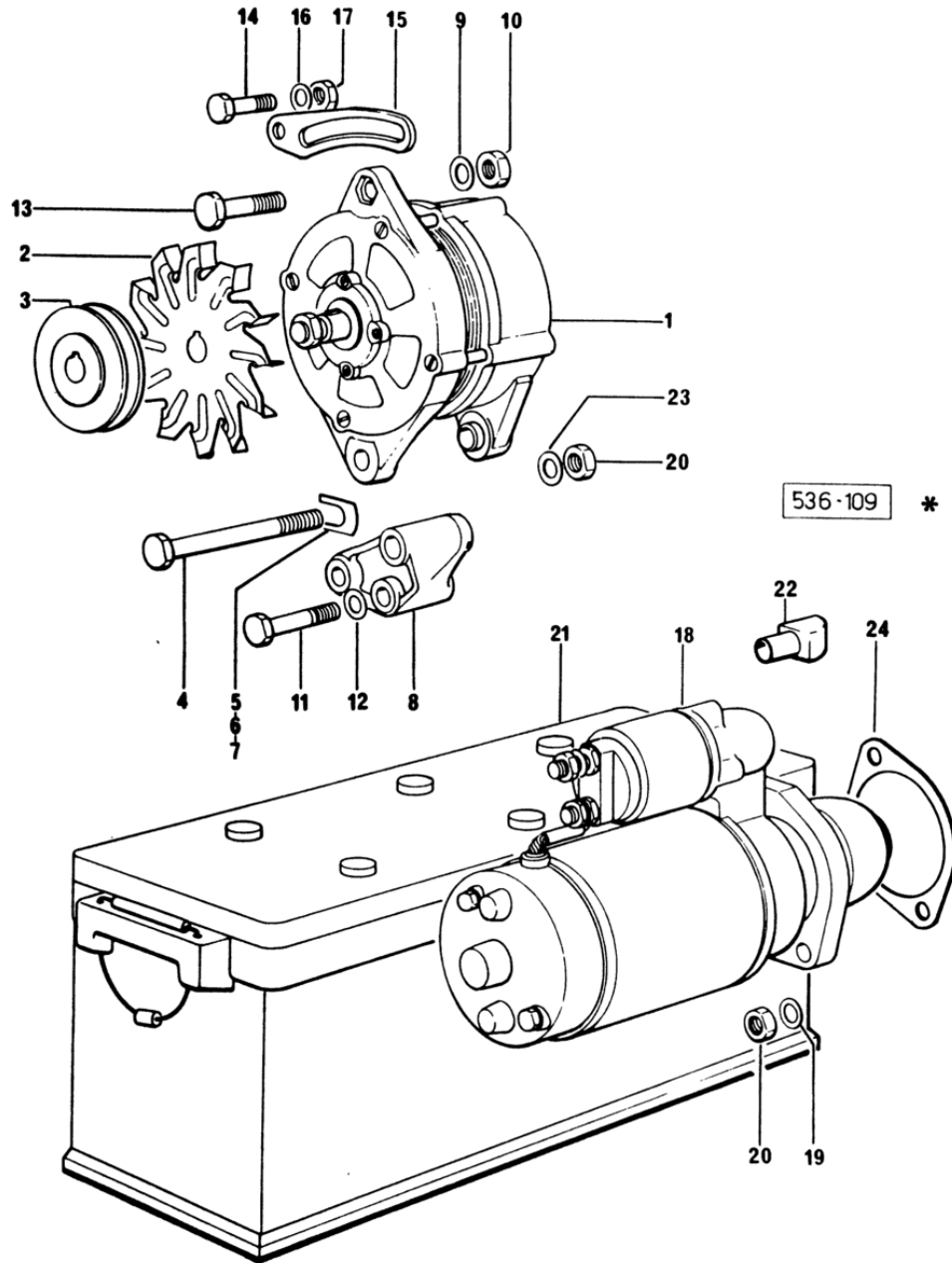
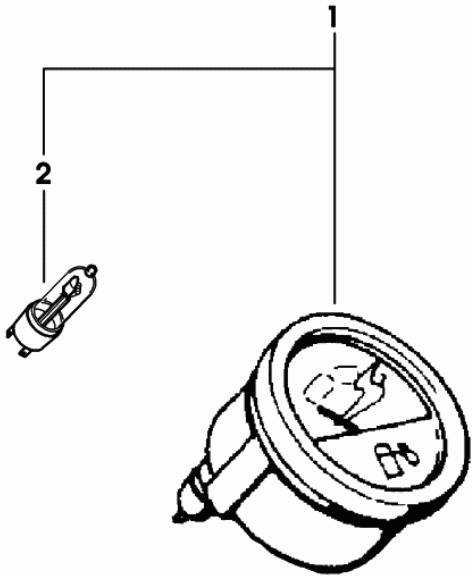


Fig.	Code	QTY	Name
1	2.9439.200.0	1	alternator 14V - 45A ☞ 2.9439.200.0 ☞ 08.00.7
1	2.9439.300.0	1	alternator - FOR PREVIOUS VERSION SEE DRAWING "ALTERNATOR PARTS - "45 A" MARELLI" ☞ 08.00.8 ☞ 08.00.9
2	0.255.8450.0	1	rotor blade FOR BOSCH ALTERNATOR
2	0.190.8456.0	1	rotor blade FOR MARELLI ALTERNATOR
3	0.255.8440.0	1	pulley X 916.4 A
3	0.290.8440.0/10	1	pulley X 1000.4 A
4	2.0112.483.2	1	-
5	0.98525.60.0	1	register mm 3.00
6	0.98525.59.0	1	register mm 2.00
7	0.98525.64.0	1	register mm 1.00
8	0.255.8441.0	1	support
9	2.1310.006.2	2	flat washer 10.5
10	2.1011.106.2	2	nut m 10 p.1.5
11	2.0112.323.2	2	screw m 10 p.1.5x70
12	2.1470.006.2	2	lock washer 10
13	2.0112.315.2	1	screw m 10 p.1.5 x 40
14	2.0112.213.2	1	screw m 8 p.1.25 x 35
15	0.255.8442.0	1	bracket
16	2.1310.004.2	2	flat washer 8.5
17	2.1011.105.2	1	nut m 8 p.1.25
18	2.9619.230.0	1	starter motor ☞ 08.00.10
18	2.9619.260.0	1	starter motor ☞ 08.00.11
19	2.1470.007.2	2	lock washer 12
20	2.1011.422.2	3	nut m 12 p.1.25
21	2.9559.027.0	1	battery 12V 100Ah 420A
22	0.243.8455.0	1	guard
23	2.1310.007.2	1	flat washer 13.5
24	0.255.8464.0	1	shim

TANK INDICATOR

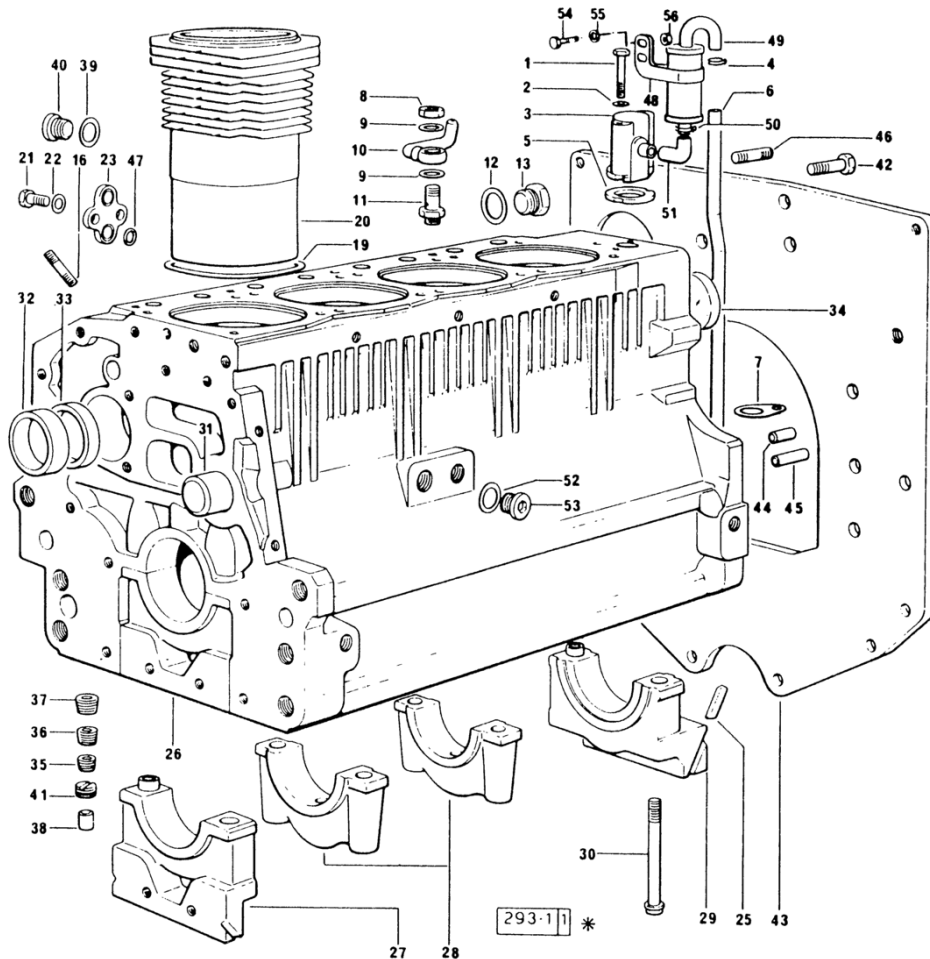
Fig.	Code	QTY	Name
1	2.7059.410.0	1	level indicator
2	0.900.0268.1	1	lamp 12V - 3W



2\_7059\_410\_0

Section: ENGINE  
CRANKCASE

Fig.	Code	QTY	Name
29	0.065.1116.7	1	support
29	2.1699.165.0	1	sleeve 12.3x15x16
30	0.065.1117.0	10	screw m 12 x 100
31	0.066.1151.0	1	pin
32	0.065.1141.0	1	bushing 59X55X30
33	0.065.1140.0	4	bushing 59X55X20
34	2.3179.012.0	1	plug 60
35	2.3130.001.1	10	plug 1/8" gas
36	2.3130.002.1	2	plug 1/4" gas
37	2.3130.003.1	7	plug 3/8" gas
38	2.3199.092.0	4	plug 8 x 12
39	2.1560.017.0	1	gasket 22.2 x 27
40	2.3120.002.4	1	plug m 22 x 1.5
41	2.1324.011.0	1	plug m 14 p.1.5x8
42	2.0112.511.1	8	screw m 14 p.2 x 30
43	0.066.1130.0	1	flange 2590 <- old part -> 2591
44	2.1651.912.0	2	cylindrical plug 12x28
45	2.1651.917.0	1	cylindrical plug 12x40
46	2.0432.255.1	2	stud bolt
47	2.1539.048.0	2	'o' ring 20.35x1.78
48	2.6859.074.2/10	1	clamp (...) <-
49	0.065.1165.2	1	sediment bowl -> (...)
50	2.6859.073.2	2	clamp (...) <-
51	0.065.1166.0	1	sleeve -> (...)
52	2.1560.017.0	1	gasket 22.2 x 27
53	2.3120.002.4	1	plug m 22 x 1.5
54	2.0112.004.2	1	screw m 6 p.1 x 14
55	2.1470.002.2	1	washer 6, d128
56	2.1011.103.2	1	nut m 6 p.1



Section: ENGINE  
LUBRICATION 2493 <=

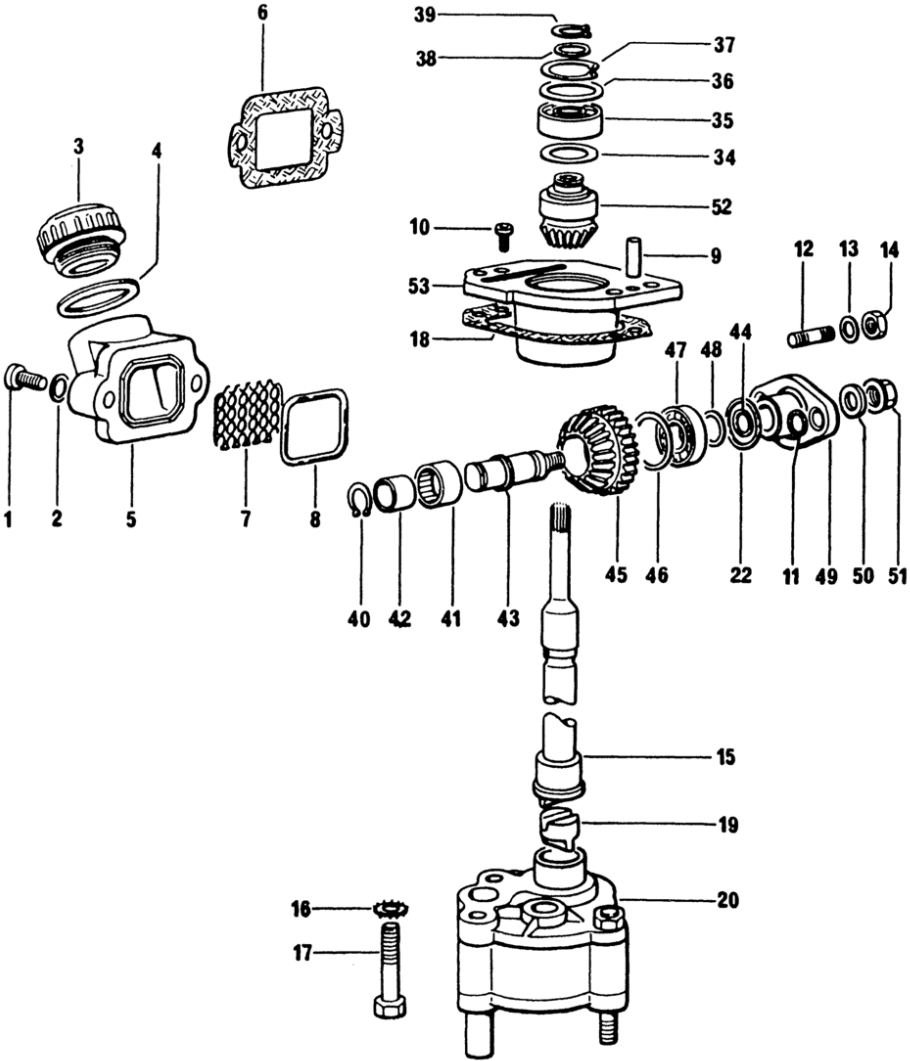


Fig.	Code	QTY	Name
52	0.065.1558.3	1	old part
53	0.065.1557.3	1	support

291-8 \*

Section: ENGINE  
THERMO STARTER

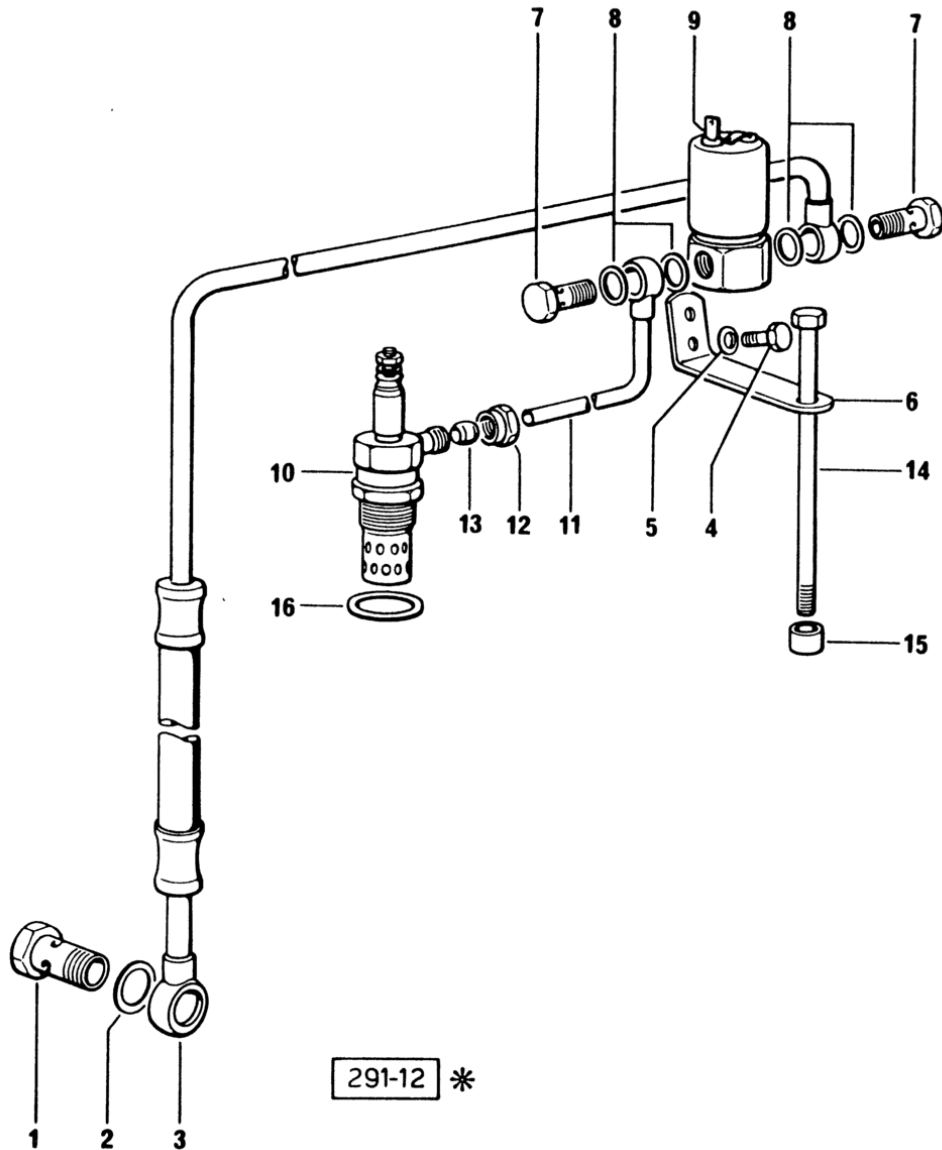


Fig.	Code	QTY	Name
1	2.3332.004.1	1	pipe union m 14 p.1.5 x 27
2	2.1560.009.0	1	gasket 14.2x18
3	0.065.1698.3	1	tube
4	2.0112.002.2	2	screw m 6 p.1 x 10
5	2.1470.002.2	2	washer 6, d128
6	0.066.1663.0	1	square (...) <- >- (...)
6	0.081.1652.0	1	square >- (...)
7	2.3339.074.1	2	pipe union m 10 p.1x19
8	2.1560.005.0	4	gasket 10.2 x 14
9	2.9219.030.0	1	electro valve 12 V
10	2.7659.013.0	1	thermo-start 12 V
11	0.066.1662.2	1	tube (...) <- >- (...)
11	0.085.1652.2/10	1	tube >- (...)
12	2.3360.002.1	1	union nut m 10
13	2.3350.002.1	1	nosepiece 6, d128
14	2.0112.233.2	1	screw m 8 p.1.25 x 120
14	2.0112.231.2	1	screw m 8 p.1.25 x 110
15	2.1579.825.0	1	spacer
16	2.1560.016.0	1	gasket 20.2 x 26

CLICK HERE TO **DOWNLOAD** THE COMPLETE MANUAL

- Thank you very much for reading the preview of the manual.
- You can download the complete manual from: [www.heydownloads.com](http://www.heydownloads.com) by clicking the link below

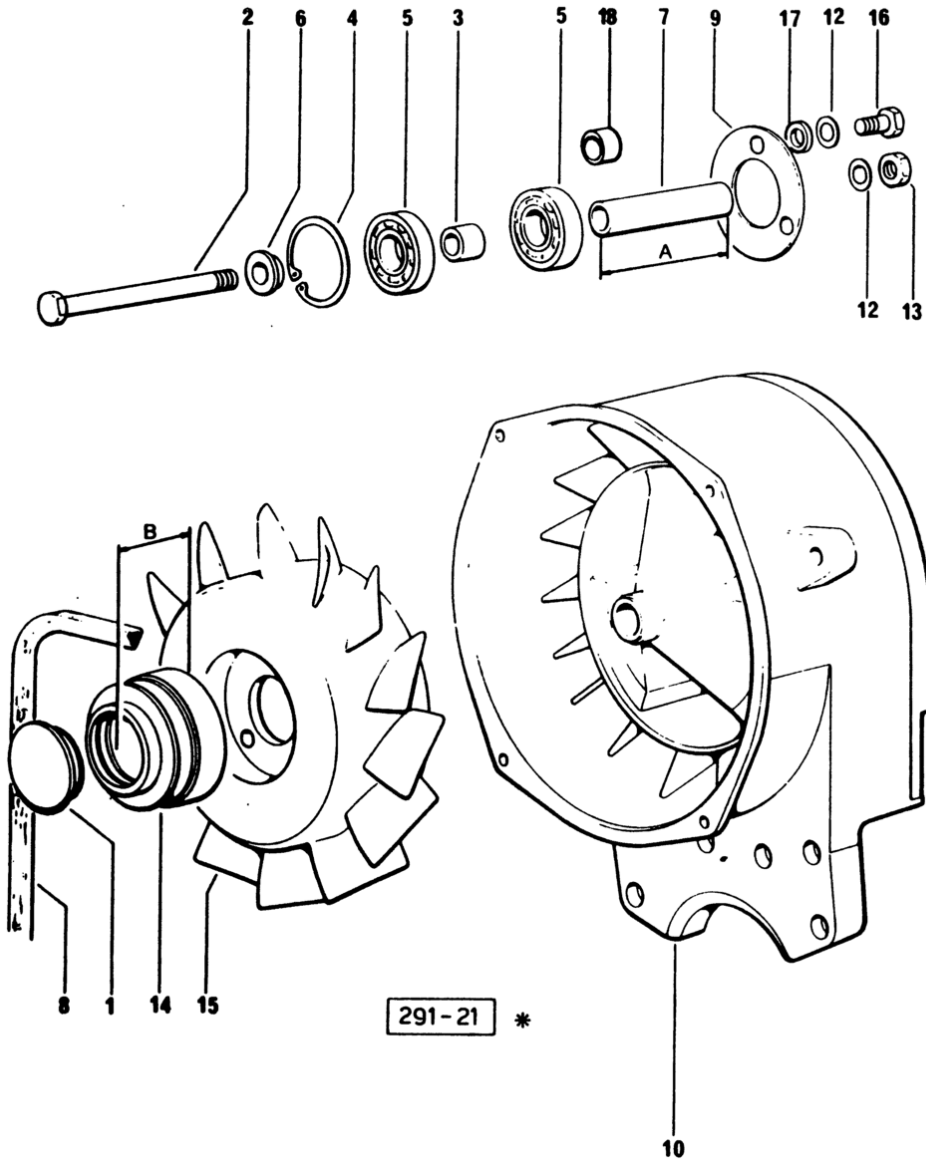


- Please note: If there is no response to CLICKING the link, please download this PDF first and then click on it.

CLICK HERE TO **DOWNLOAD** THE COMPLETE MANUAL

Section: ENGINE  
**COOLING**

Fig.	Code	QTY	Name
1	2.3199.089.0	1	small cover
2	2.0119.129.2	1	screw m 8x160
3	2.1579.709.0	1	spacer 20.2x25x8
4	2.1411.019.1	2	circlip 47
5	2.2041.008.0	2	ball bearing 20x47x14
6	0.065.1751.0/10	2	washer
7	0.065.1732.0	1	shaft A=MM120
7	0.065.1732.0/10	1	shaft A=MM131
8	2.4119.079.0/10	1	belt AV 10x1314 mm (...) <-
8	2.4119.113.0	1	belt AV 10.7x1335 mm -> (...)
9	0.065.1750.0	1	spacer
10	0.065.1730.0/30	1	sump
12	2.1470.004.2	4	washer 8
13	2.1011.105.2	1	nut m 8 p.1.25
14	0.065.1735.0/10	1	pulley WITH B=MM 46 ORDER ALSO: 066.1732 - 2.1579.835.2 - 2.1411.019.1
15	0.087.1736.0/10	1	impeller
16	2.0112.207.2	3	screw m 8 p 1.25 x 20
17	2.1579.772.2	3	spacer 9x12x7.5
18	2.1579.835.2	1	spacer 20.2x25x11



INJECTOR NOZZLE HOLDER COMPONENTS

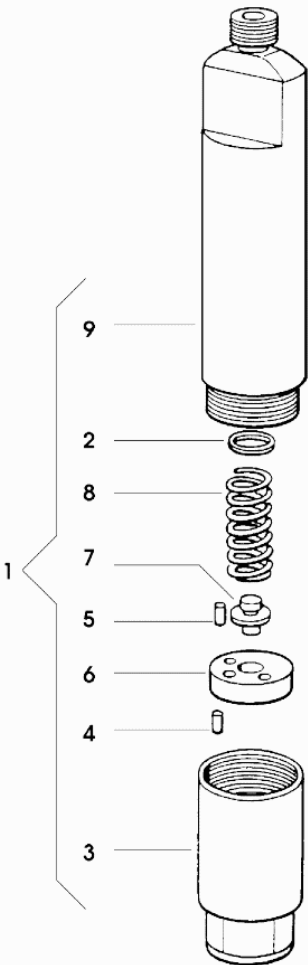


Fig.	Code	QTY	Name
1	2.4719.190.0	1	nozzle holder BOSCH
2	2.4719.170.1	1	shim
3	2.4719.150.1	1	ring nut
4	2.4719.172.0	2	roll pin
5	2.4719.171.9	2	roll pin
6	2.4719.171.8	1	pad
7	2.4719.171.7	1	pin
8	2.4719.171.6	1	spring
9	0.000.0000.1	0	not serviceable

**EXPLORER 65 SPECIAL**

Section: FRONT AND REAR P.T.O.

Ref.: 05.00.8

**P.T.O. - WITH N° 540 - 1000**

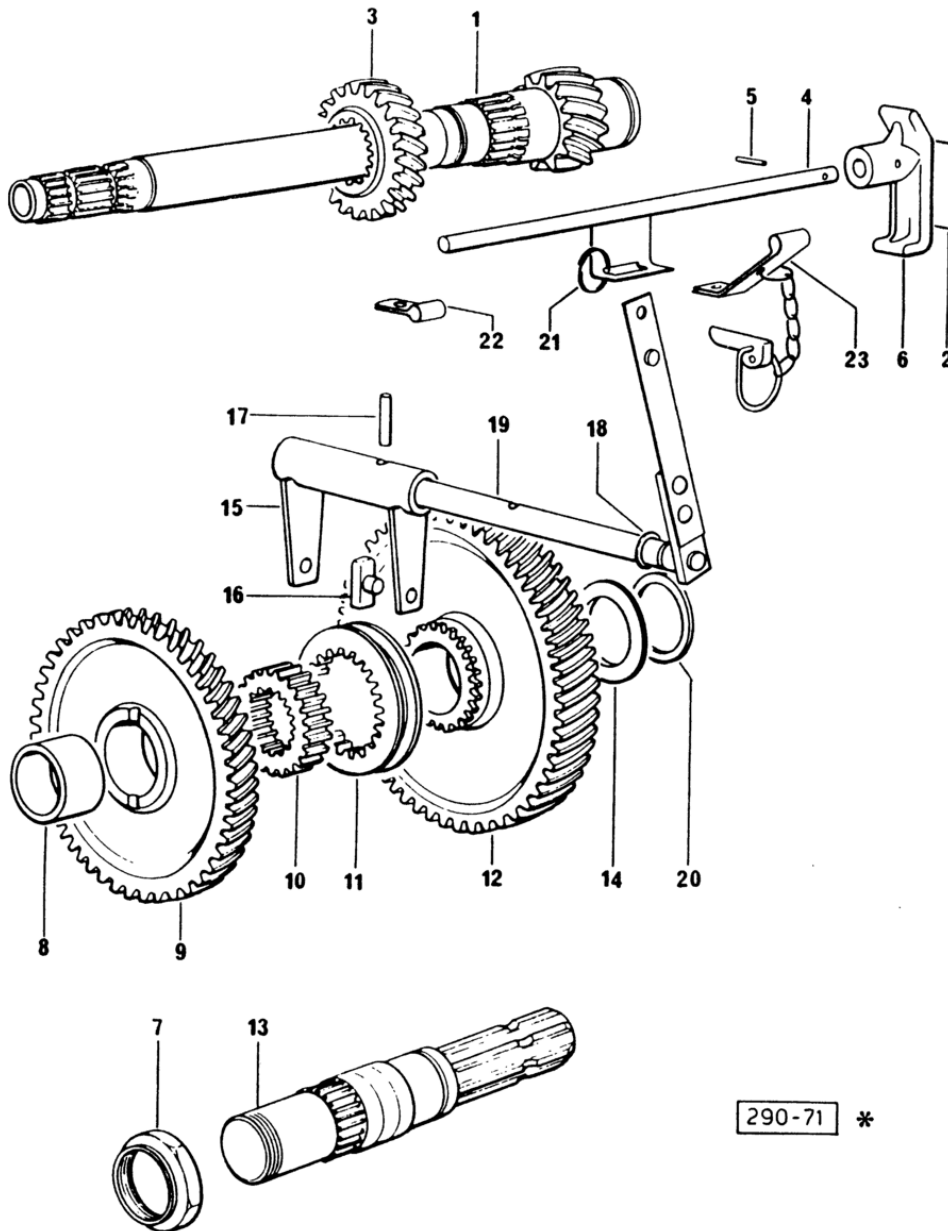
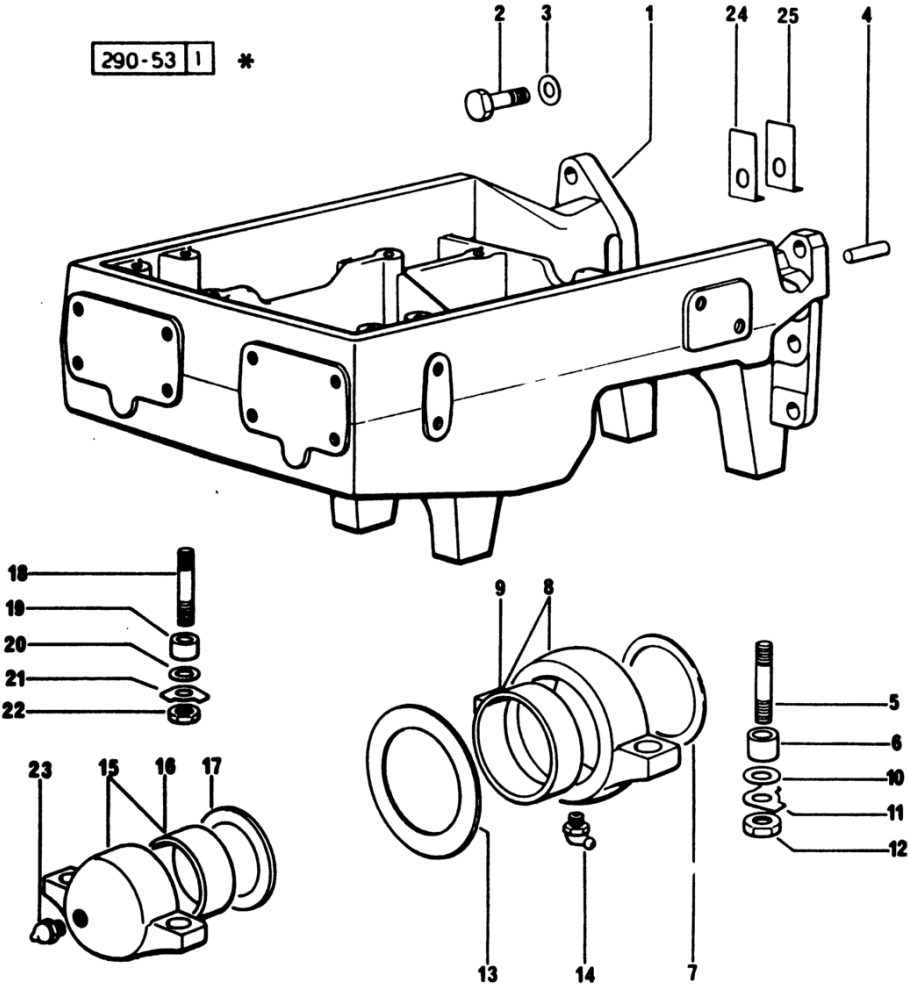


Fig.	Code	QTY	Name
1	0.255.3650.3/20	1	shaft
1	2.1559.023.0/10	1	bushing 15.8x19x20
1	0.255.3650.3/30	1	p.t.o.shaft ->12382 LOW ->10739
2	2.9919.824.0	1	plate
3	0.255.3651.0/10	1	gear - FOR 1000 RPM P.T.O.
4	0.255.3664.2	1	rod
5	2.1630.212.0	1	roll pin 3x28
6	0.257.6862.0	1	grip
7	0.255.3661.0	1	ring nut m 35x1.5
8	0.255.3662.0	1	bushing 35x44x27
9	0.255.3655.0/20	1	gear - FOR 1000 RPM P.T.O.
10	0.255.3455.0	1	hub Z = 19
11	0.255.3438.0	1	sleeve
12	0.255.3653.0/20	1	gear - FOR 540 RPM P.T.O.
13	0.255.3652.0/10	1	p.t.o.shaft
14	0.255.3450.0	1	snoulder 40 x 60 x 3.5
15	0.255.3658.2	1	lever
16	0.255.6463.0	2	shoe
17	2.1631.715.0	1	roll pin 8x32
18	2.1530.028.0	1	'o' ring 11.91 x 2.62
19	0.255.3666.3	1	lever
20	2.1499.034.1	1	circlip 40 x 1.75
21	2.4099.052.1	1	spring
22	2.6859.078.0	1	clamp
23	0.255.3665.3	1	split pin

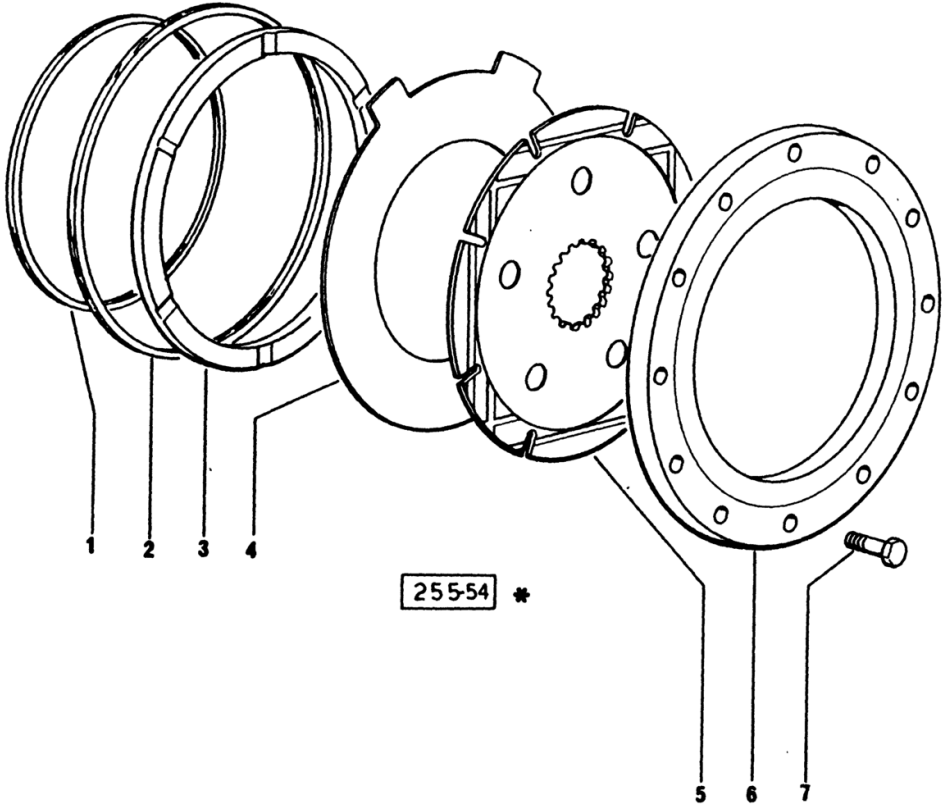
Section: FRONT AXEL  
FRONT SUPPORT

Fig.	Code	QTY	Name
23	2.3820.105.2	1	lubricator m 10 p.1 x 7 4WD
24	0.255.5251.0	4	shim mm 0.20 4WD
25	0.255.5252.0	8	shim mm 0.50 4WD



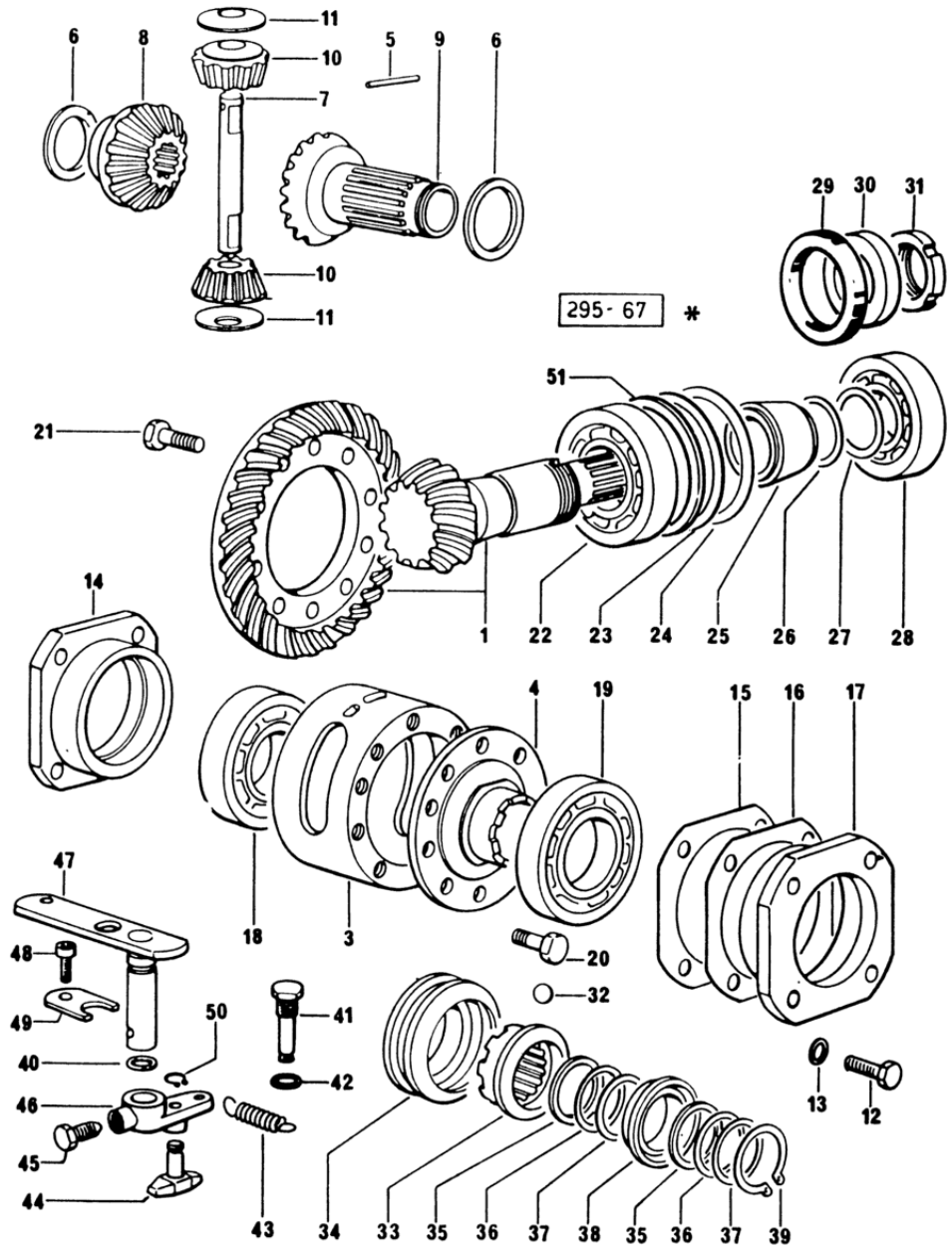
Section: FRONT AXEL  
4WD - FRONT BRAKES

Fig.	Code	QTY	Name
1	0.275.4354.0/10	2	gasket
2	0.275.4353.0/10	2	gasket
3	0.275.4350.0	2	piston
4	0.275.4351.0	2	disc
5	0.154.5459.0/10	2	brake disc
6	0.275.4352.0/10	2	flange
7	2.0139.019.1	24	screw



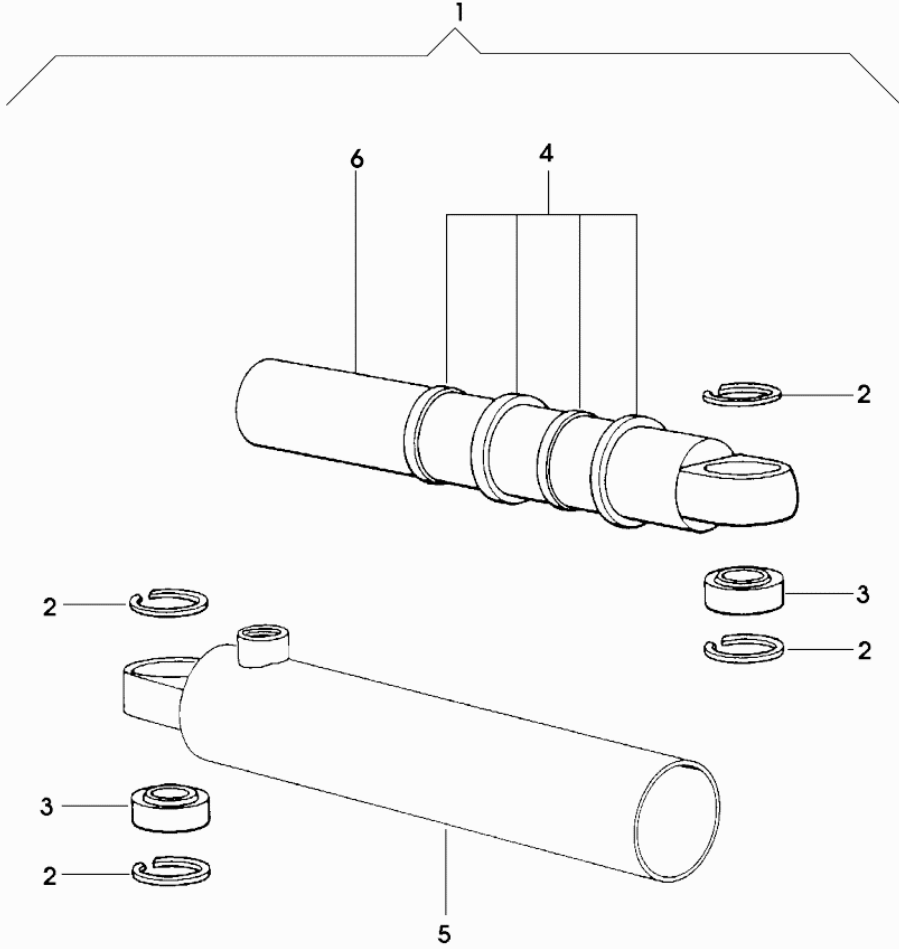
**FRONT DIFFERENTIAL LOCK**

Fig.	Code	QTY	Name
35	2.1599.317.0	2	thrust plate 38.5 x 44.50 x 1.5
36	2.1580.130.0	4	shim 38.5 x 44.50 x 0.5
37	2.1580.131.0	4	shim 38.5 x 44.50 x 0.2
38	0.255.4619.0	1	spacer
39	2.1410.015.1	1	circlip 38
40	2.1530.034.0	1	'o' ring 13.95x2.62
41	2.0399.107.1	1	screw
42	2.1560.010.0	2	gasket 14.2 x 20 x 1.5
43	2.4049.135.1/10	1	spring
44	0.257.4653.0	1	shoe
45	2.0399.002.2	1	screw
46	0.257.4652.0	1	lever
47	0.255.4654.3/10	1	lever
48	2.0312.205.2	1	screw m 8 p.1.25 x 18
49	0.257.4654.0	1	small plate
50	2.1410.001.1	1	circlip 10
51	2.1579.844.0	1	spacer
			-> (...)



Section: FRONT AXEL  
CYLINDER PARTS

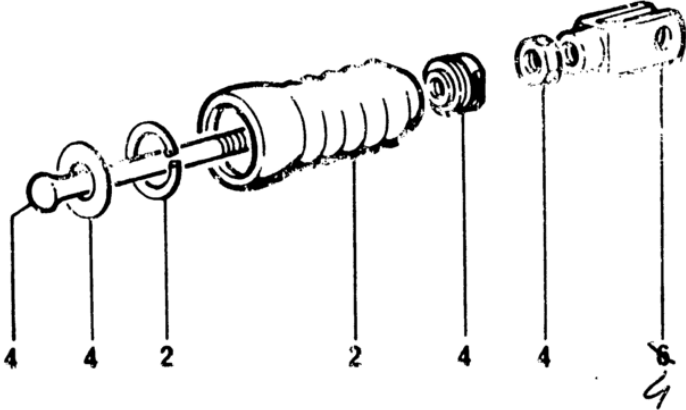
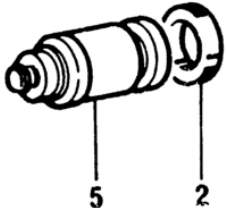
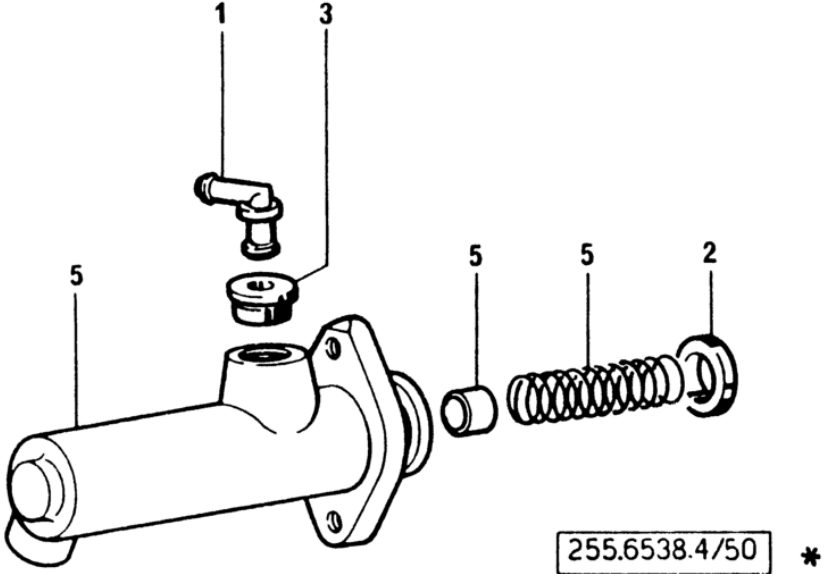
Fig.	Code	QTY	Name
1	0.255.6342.4	1	jack
2	2.1423.026.1	4	circlip 35 x 1.5
3	0.176.6371.0	2	ball joint
4	0.261.6374.1	1	seal ring kit
5	0.000.0000.1	0	not serviceable
6	0.261.6373.1	1	arm



255\_6342\_4

Section: GEAR  
PUMP-COMPONENTS

Fig.	Code	QTY	Name
0	0.255.6538.4/50	1	pump ☞ 0.255.6538.4/50
1	0.257.6691.1	1	coupling
2	0.255.6538.6	1	repair seal set
3	0.003.5099.0	1	rubber plug
4	0.255.6560.1	1	rod
5	0.000.0000.1	1	not serviceable



**MAIN SHAFT - TRANSMISSION SHAFT**

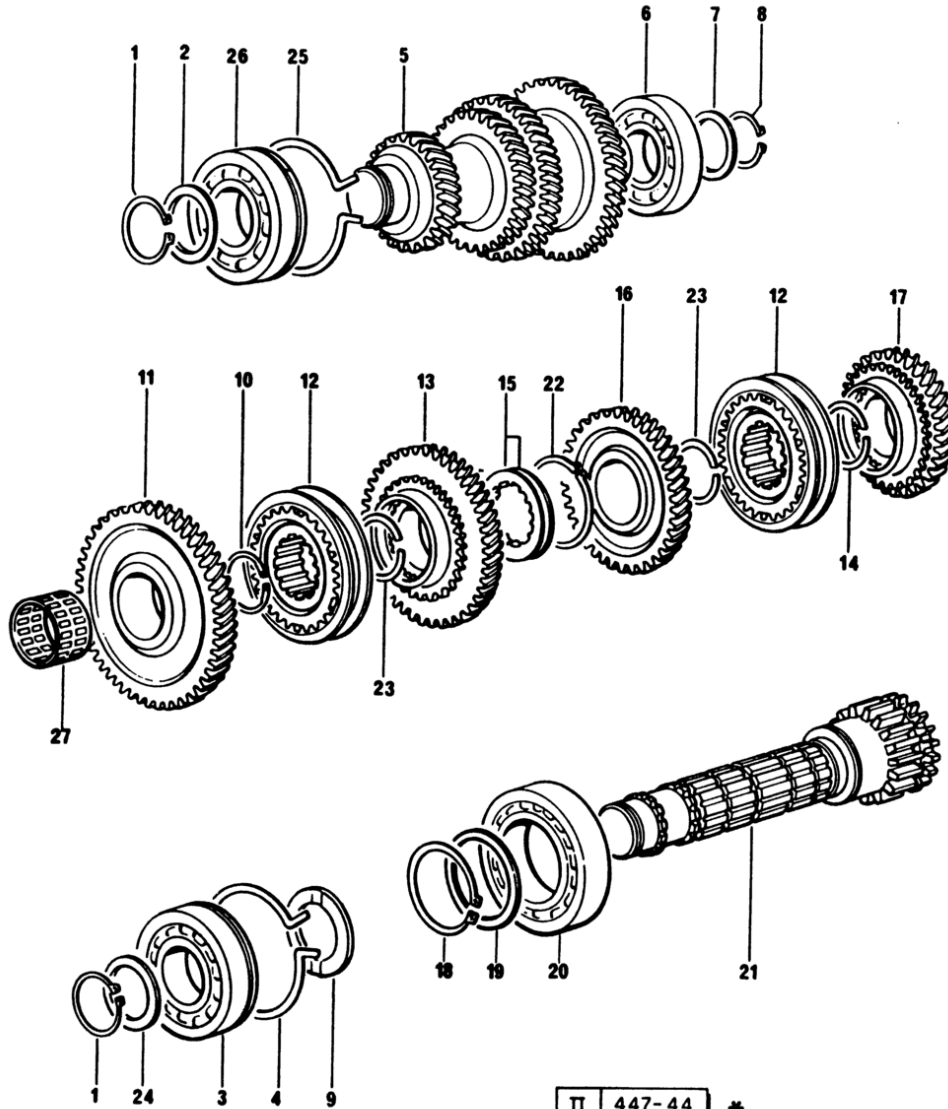
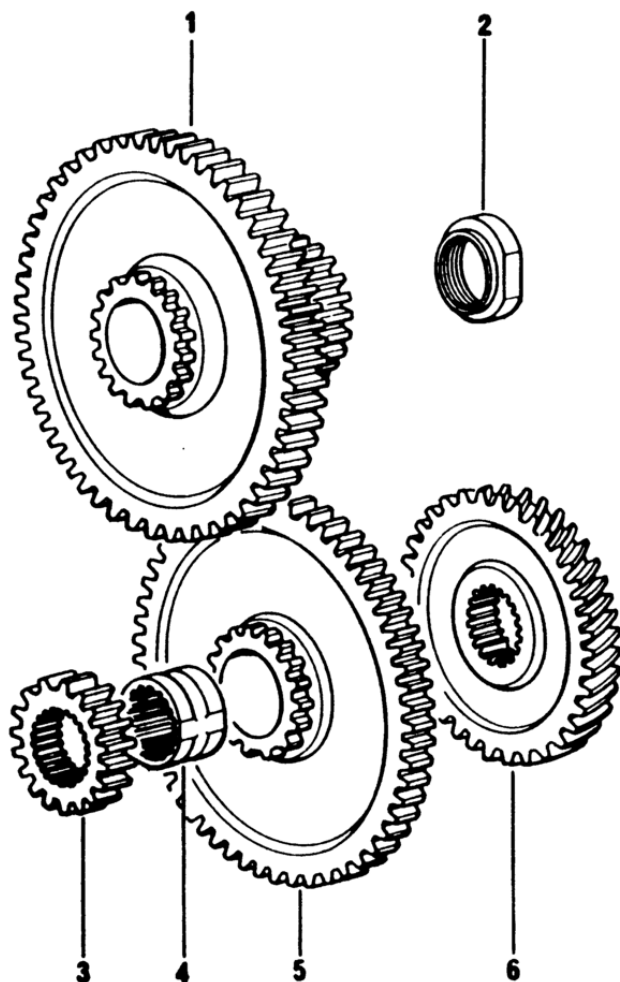


Fig.	Code	QTY	Name
			FOR 5-SPEED GEARBOX VD DWG. SPEC. - (...) <- ORDER ALSO: 2x 255.3372.0 - 2x 2.1419.034.1 - 2x 2.1422.032.0 - 1x 255.3373.0/10 - 1x 2.2999.217.0 >- 12538 <- ORDER ALSO: 1x 255.3373.0/10 - 1x 2.2999.217.0 - 1x 2.1422.032.0
21	2.1559.177.0	1	bushing 30 x 35 x 25
22	2.1499.036.1	1	circlip
			(...) <-
22	2.1419.034.1	1	circlip 44
			>- (...)
23	2.1499.041.1	3	circlip 45x1.4
			(...) <-
23	2.1499.042.1	2	circlip 45x1.3
			(...) <-
23	2.1422.032.0	1	ring
			>- (...)
24	2.1599.414.0	1	snoulder 40 x 50 x 3.0
24	2.1599.423.0	1	snoulder 40 x 50 x 2.9
24	2.1599.424.0	1	snoulder 40 x 50 x 2.8
24	2.1599.425.0	1	snoulder 40 x 50 x 2.7
25	2.1499.037.1	1	circlip 90
			- FOR 5 SPEED TRANSMISSION (SEE TABLE)
26	2.2063.012.0	1	ball bearing 40 x 90 x 23
			- FOR 5 SPEED TRANSMISSION (SEE TABLE)
27	2.2999.217.0	1	roller cage 40x45x27
			>- 12539

II 447-44 \*

**SUPER REDUCTION GEAR UNIT**

Fig.	Code	QTY	Name
1	0.255.3453.3/30	1	gear Z = 59 / Z = 26
2	0.255.3454.0	1	ring nut (...) <-
2	0.255.3454.0/10	1	ring nut -> (...)
3	0.255.3455.0	1	hub Z = 19
4	0.255.3458.0/20	1	bushing
5	0.255.3456.0/10	1	gear z = 75 - 19
6	0.255.3457.0	1	gear z = 40
7	0.290.6457.0	1	cap



290-41 \*

**EXPLORER 65 SPECIAL**

Section: POWER STEERING - HYDRAULIC SYSTEM

Ref.: 06.00.4

**4WD - POWER STEERING**

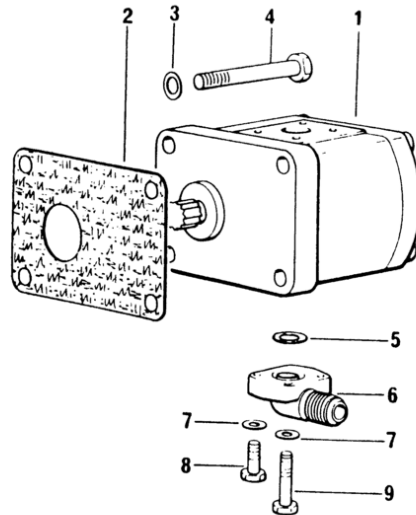
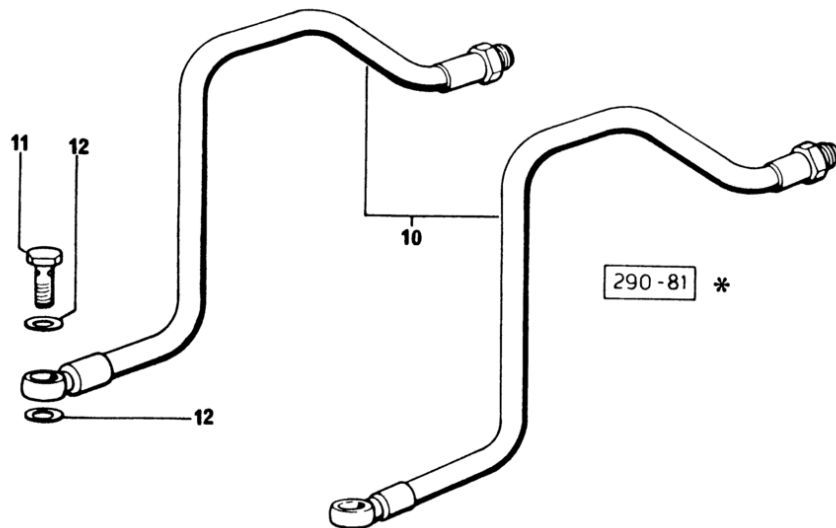


Fig.	Code	QTY	Name
1	2.4529.710.0	1	hydraulic pump
2	0.9104.250.0	1	gasket
3	2.1474.010.2	2	washer 10
4	2.0119.120.2	2	screw
5	2.1530.052.0	1	'o' ring 20.24x2.62
6	0.171.6364.0	1	flange
7	2.1480.012.1	4	washer 6, d128
8	2.0312.106.2	2	screw m 6 p.1 x 20
9	2.0312.112.2	2	screw m 6 p.1 x 35
10	0.255.6372.3/10	2	tube
11	2.3332.004.1	2	pipe union m 14 p.1.5 x 27
12	2.1560.010.0	4	gasket 14.2 x 20 x 1.5



**INDEPENDENT HAND BRAKE**

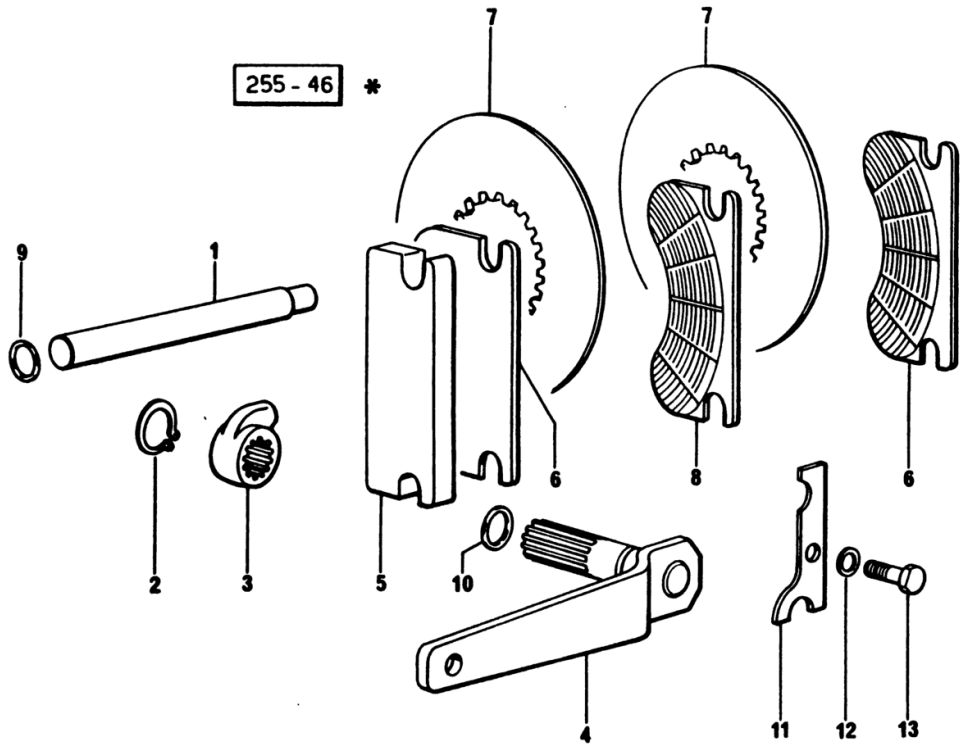
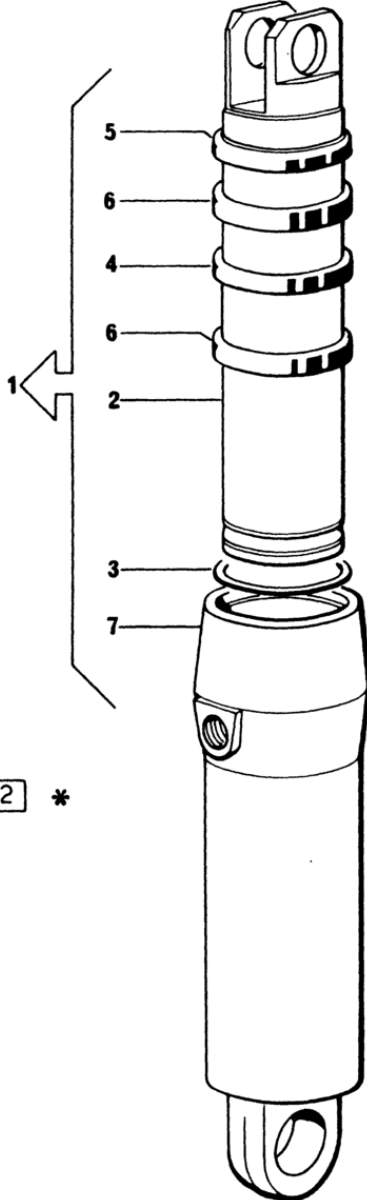
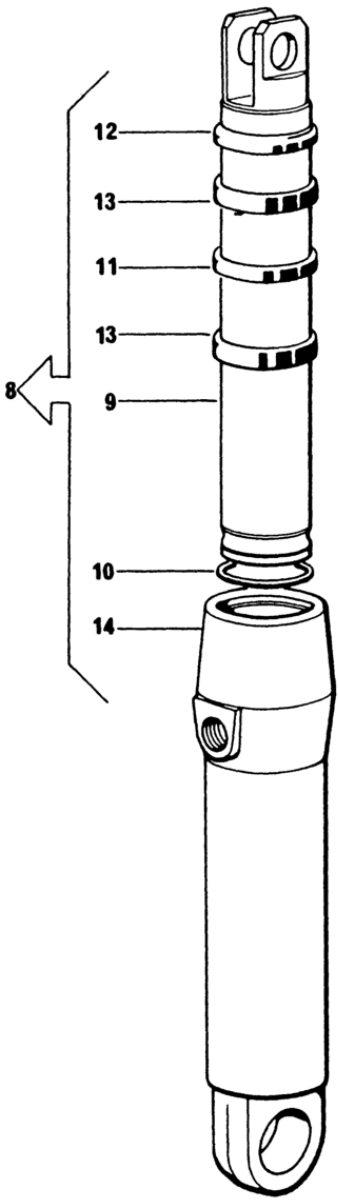


Fig.	Code	QTY	Name
1	0.255.5450.0	2	small column
2	2.1410.006.1	1	circlip 20
3	0.171.5453.0	1	lever
4	0.255.5451.2	1	lever
5	0.188.5459.0	1	plate
6	0.171.5451.2	2	sector
7	0.255.5452.0	2	brake disc 150
8	0.171.5459.2	1	sector
9	2.1530.034.0	1	'o' ring 13.95x2.62
10	2.1530.043.0	1	'o' ring 17.13x2.62
11	0.255.5453.0	1	small plate
12	2.1470.004.2	1	washer 8
13	2.0112.207.2	1	screw m 8 p 1.25 x 20

CYLINDER COMPONENTS 11513 <-



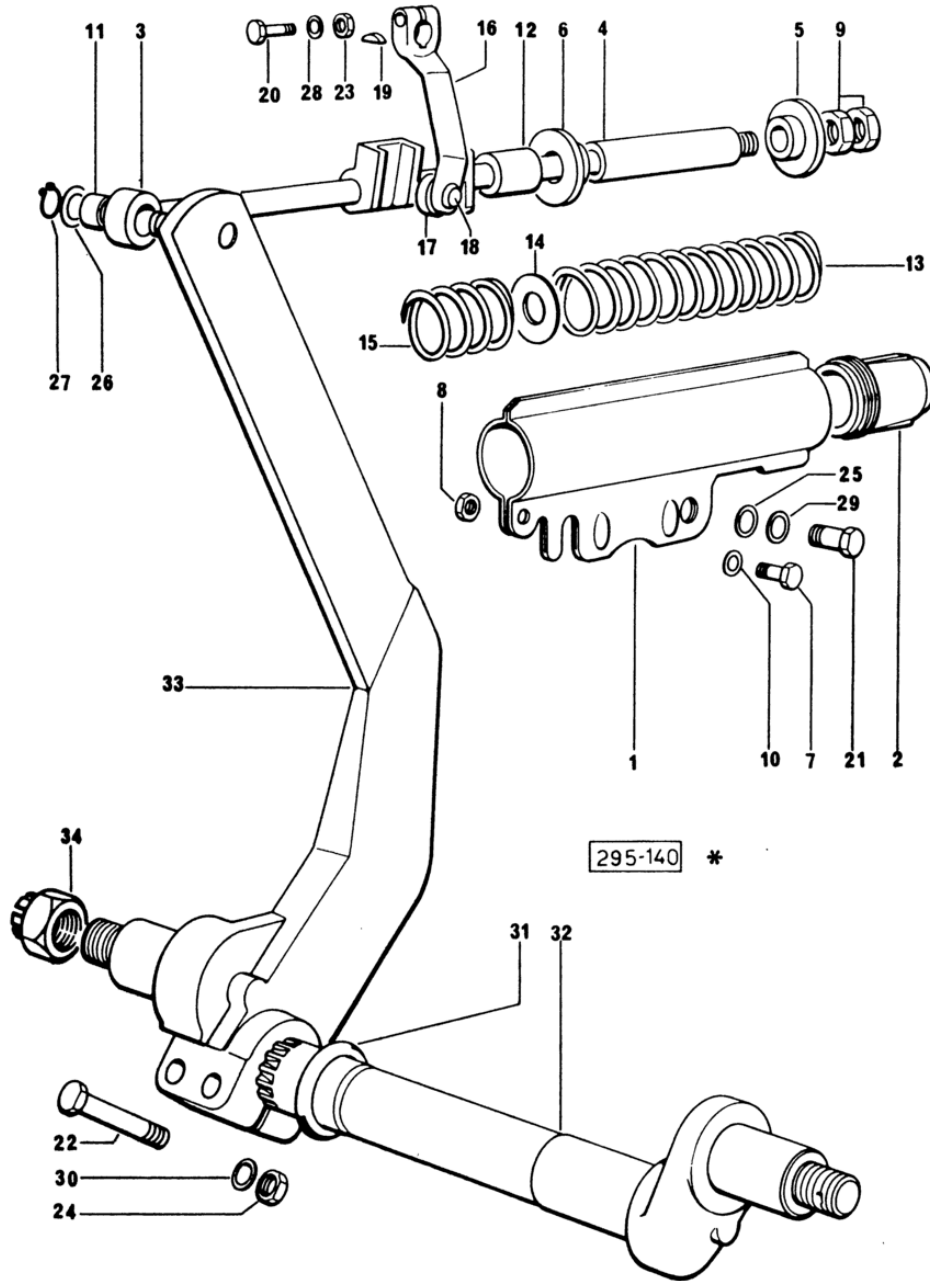
255-122 \*

Fig.	Code	QTY	Name
1	0.000.0000.1	1	not serviceable 70 MM CYLINDER
2	0.9104.355.0/10	1	stem
3	2.1429.035.1/10	1	circlip
4	2.1519.082.0	1	'o' ring
5	2.1519.083.0	1	'o' ring
6	2.1519.084.0	2	'o' ring
7	0.000.0000.1	1	not serviceable
8	0.000.0000.1	1	not serviceable 50 MM CYLINDER
9	0.9104.352.0/10	1	stem
10	2.1429.032.1/10	1	circlip
11	2.1519.079.0/10	1	'o' ring
12	2.1519.080.0	1	'o' ring
13	2.1519.081.0	2	'o' ring
14	0.000.0000.1	1	not serviceable

Section: S.A.C.

**SENSITIVE ELEMENTS**

Fig.	Code	QTY	Name
0	0.9123.730.4/10	1	spring housing
1	0.9104.730.2/10	1	spring housing
2	0.9104.731.0	1	plug
3	0.9104.732.3/10	1	rod
4	0.9045.734.0	1	spacer
5	0.9045.733.0	1	spacer
6	0.9000.735.0	1	ring
7	2.0112.004.2	1	screw m 6 p.1 x 14
8	2.1011.103.2	1	nut m 6 p.1
9	2.1011.522.1	2	nut
10	2.1470.002.2	1	washer 6, d128
11	2.1559.175.0	1	bushing 12x16x15
12	2.1579.702.0	1	spacer 14x18x36
13	2.4019.215.1	1	spring 37x142x8
14	2.1599.295.0	1	snoulder 19x37x4
15	2.4019.216.1	1	spring 37x39x6
16	0.9123.750.3	1	lever
17	0.9000.561.0	1	roller
18	0.9000.560.0	1	pin
19	2.1720.005.0	1	key 4x5
20	2.0112.011.2	1	screw m 6 p.1x30
21	2.0112.409.2	2	screw m 12 p.1.75 x 25
22	2.0122.525.1	2	screw m 14 p.1.5x80
23	2.1011.103.2	1	nut m 6 p.1
24	2.1011.308.1	2	nut m 14 p.1.5
25	2.1310.007.2	1	flat washer 13.5
26	2.1311.008.2	1	flat washer 12
27	2.1410.002.1	1	circlip 12
28	2.1470.002.2	1	washer 6, d128
29	2.1470.007.2	2	lock washer 12
30	2.1470.008.2	2	lock washer 14
31	2.1514.053.0	2	oil seal 45x55x4
32	0.9104.720.0/30	1	shaft
33	0.9104.721.6/40	1	lever
34	2.1021.209.2	1	castellated nut m 20 p.1.5



CLICK HERE TO **DOWNLOAD** THE COMPLETE MANUAL

- Thank you very much for reading the preview of the manual.
- You can download the complete manual from: [www.heydownloads.com](http://www.heydownloads.com) by clicking the link below



- Please note: If there is no response to CLICKING the link, please download this PDF first and then click on it.

CLICK HERE TO **DOWNLOAD** THE COMPLETE MANUAL