

MINITAURO

ACCESSORIES

GENERAL

3 POINT HITCH.....	0E.00.1
3 POINT HITCH.....	0E.00.2
3 POINT HITCH.....	0E.00.3
3 POINT HITCH.....	0E.00.4
3-POINT LINKAGE WITH RIGID STABILISERS.....	0E.00.5
3-POINT LINKAGE WITH RIGID STABILISERS.....	0E.00.6
FRONT PERMANENT TOWING HITCH.....	0E.00.7
ADJUSTABLE REAR TOWING HITCH.....	0E.00.8
REAR TOWING HITCH - CATEGORY"D".....	0E.00.9
ADJUSTABLE REAR TOWING HITCH.....	0E.00.10
SWINGING BAR.....	0E.00.11
BELT PULLEY.....	0E.00.12
POWER TAKE-OFF FOR MOWER.....	0E.00.13
FRONT BALLAST.....	0E.00.14
FRONT BALLAST 96925-96926.....	0E.00.15
REAR BALLAST 96908-96913-96915.....	0E.00.16
TOOL POUCH.....	0E.00.17

CLICK HERE TO **DOWNLOAD** THE COMPLETE MANUAL

- Thank you very much for reading the preview of the manual.
- You can download the complete manual from: www.heydownloads.com by clicking the link below



- Please note: If there is no response to CLICKING the link, please download this PDF first and then click on it.

CLICK HERE TO **DOWNLOAD** THE COMPLETE MANUAL

3-POINT LINKAGE WITH RIGID STABILISERS

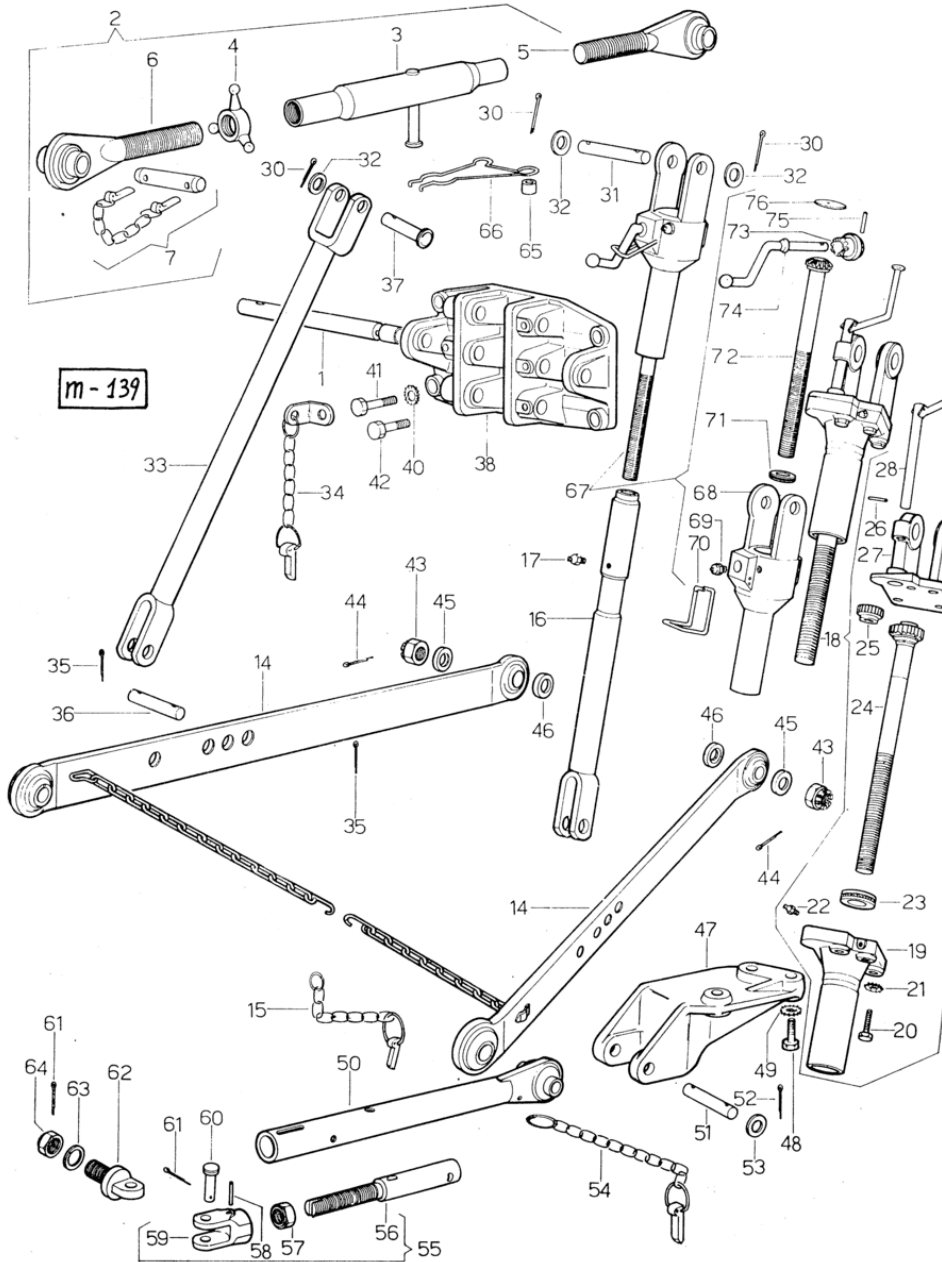
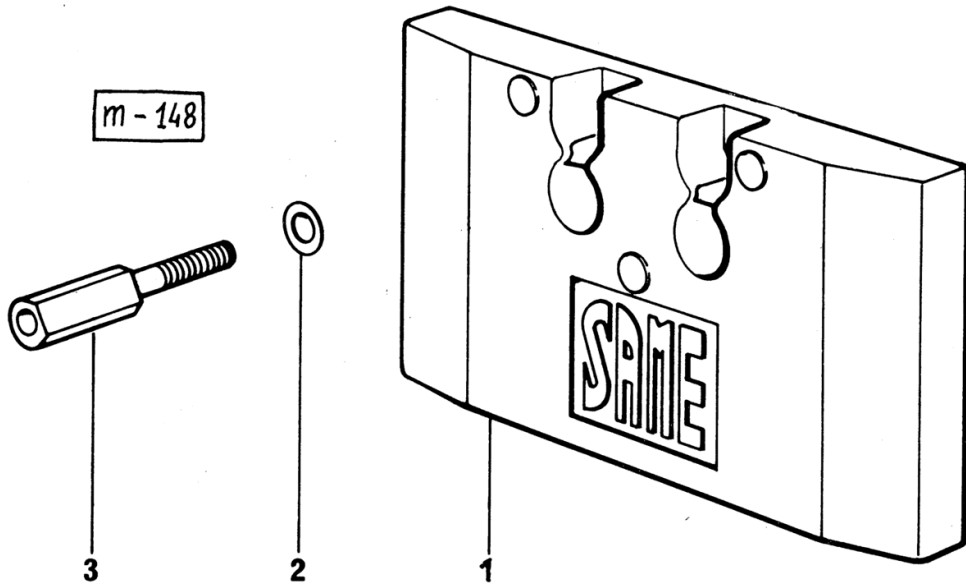


Fig.	Code	QTY	Name
35	0.96065.54.0	3	split pin
36	2.1669.017.2	2	pin
37	2.1679.045.2	1	pin
38	0.96014.10.0	1	flange
40	2.1474.011.1	6	washer 12
41	2.0112.413.2	4	screw m 12 p.1.75x35
42	2.0112.409.2	2	screw m 12 p.1.75 x 25
43	2.1021.207.1	2	castellated nut m 16 p.1.5
44	2.1690.413.0	2	split pin
45	0.96004.55.0	2	snoulder
46	0.96004.54.0	2	snoulder
47	0.96017.40.0/10	1	bracket dx/rh/re
47	0.96017.41.0/10	1	bracket sx/lh/li
48	2.0112.619.1	6	screw m 16 p.2x50
49	2.1470.009.2	6	lock washer 16
49	0.96017.42.6	2	stabiliser
50	0.96017.42.2	2	stabiliser
51	2.1699.001.0	2	pin
52	2.1690.413.0	2	split pin
53	2.1310.013.2	4	flat washer 21x37
54	0.96017.51.4	2	pin
55	0.96017.43.4	2	rod
56	0.96017.43.0	2	rod
57	2.1120.213.2	2	selflock nut m 24 p.2
58	2.1630.616.0	2	roll pin 6x45
59	0.96017.44.0	2	fork
60	2.1670.815.0	2	pin
61	2.1690.413.0	6	split pin
62	0.96017.50.0/10	2	pin
63	2.1310.011.2	2	flat washer 19x34
64	2.1021.308.1	2	castellated nut m 18 p.1.5
65	2.1579.125.0	2	spacer
66	0.96014.59.0	1	spring
67	0.96014.30.4/20	1	complete box 9800 <-
68	0.96014.30.3/20	1	box
69	2.3820.005.2	1	lubricator
70	2.4099.010.2	1	spring
71	2.2610.006.0	1	thrust bearing 25x42x11
72	0.96014.32.0	1	old part
73	0.001.3132.0	1	pinion
74	0.001.5007.0	1	crank
75	2.1650.412.0	1	pin
76	2.3170.018.1	1	expansion plug 45

Section: ACCESSORIES
FRONT BALLAST

Fig.	Code	QTY	Name
1	0.96909.40.0	2	ballast
2	2.1310.009.2	8	flat washer 14
3	0.96909.50.0	8	small column



Section: BODY WORK
SUPPORTS

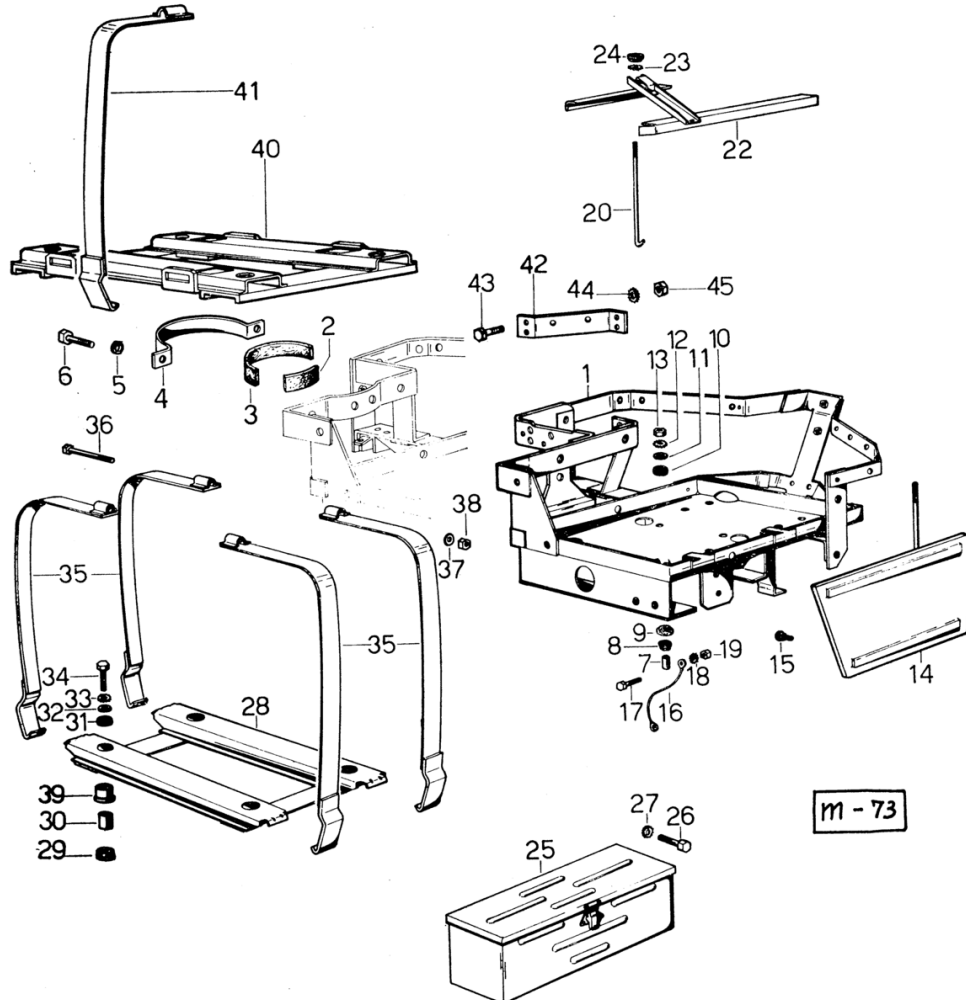
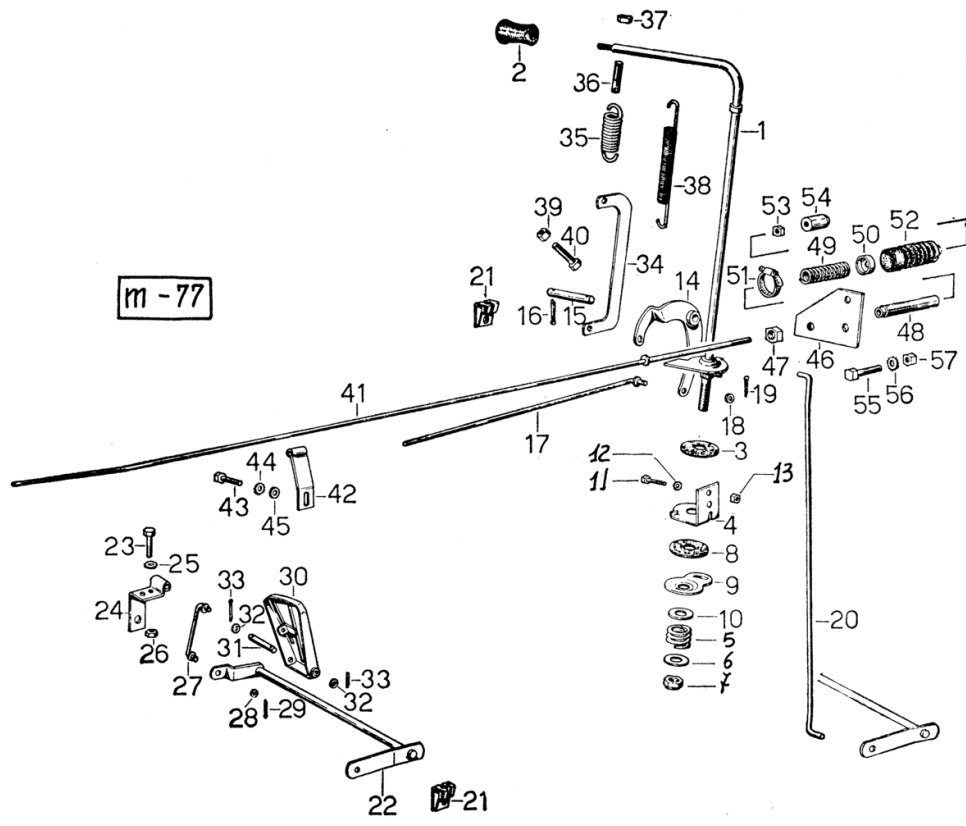


Fig.	Code	QTY	Name
1	0.146.7320.3	1	old part 6386 <- - 571 <- ORDER ALSO: FRAME No.146.7323.3/10
1	0.146.7320.3/10	1	old part
1	0.146.7376.6	1	-> 6387 - 10783 <- battery support
1	0.146.7376.6/10	1	-> 10784 - 11277 <- battery support
1	0.146.7376.3/20	1	-> 11278 - 18147 <- battery support
2	0.001.4009.0	1	-> 18148 felt band
3	0.001.4060.0	1	10783 <- old part
4	0.135.7387.0	1	10783 <- clamp
5	2.1470.004.2	2	10783 <- washer 8
6	2.0112.209.2	2	screw m 8 p 1.25 x 25
7	2.1579.012.0	6	11277 <- spacer 12.1x15x20
7	0.146.7379.0	4	11277 <- spacer -> 11278
8	0.136.7385.0	5	11277 <- rubber plug
9	0.136.7384.0	6	11277 <- cup
9	0.146.7378.0	4	11277 <- cup -> 11278
10	0.136.7387.0	5	11277 <- rubber plug 15x27x5
11	2.1599.045.2	6	11277 <- washer 12.5 x 28
12	2.1474.011.1	6	11277 <- washer 12
13	2.1011.422.2	6	11277 <- nut m 12 p.1.25
14	0.146.7322.3/10	1	shield
15	0.001.4496.0	4	stopper
16	0.157.8451.3	2	wire
17	2.0112.004.2	1	screw m 6 p.1 x 14
18	2.1470.002.2	1	washer 6, d128
19	2.1011.103.2	1	nut m 6 p.1
20	0.146.7326.0	1	stay
22	0.146.7325.3/10	1	small frame
23	2.1470.002.2	2	washer 6, d128
24	0.136.7383.0	2	bushing

Section: BODY WORK
THROTTLE -> 6387

Fig.	Code	QTY	Name
34	2.0112.005.2	2	screw m 6 p.1 x 16 11277 <-
35	2.1470.002.2	2	washer 6, d128 11277 <-
36	2.1011.103.2	2	nut m 6 p.1 11277 <-
37	2.6850.004.0	1	clamp 20-35
38	2.4019.057.1	1	spring
39	0.135.6760.0	1	cup
40	0.000.5617.0	1	dust guard
41	2.1011.102.2	1	nut m 5 p.0.7
42	0.135.6731.0	1	knob
43	2.1470.006.2	2	lock washer 10
44	2.0112.307.2	2	screw m 10 p.1.5 x 20

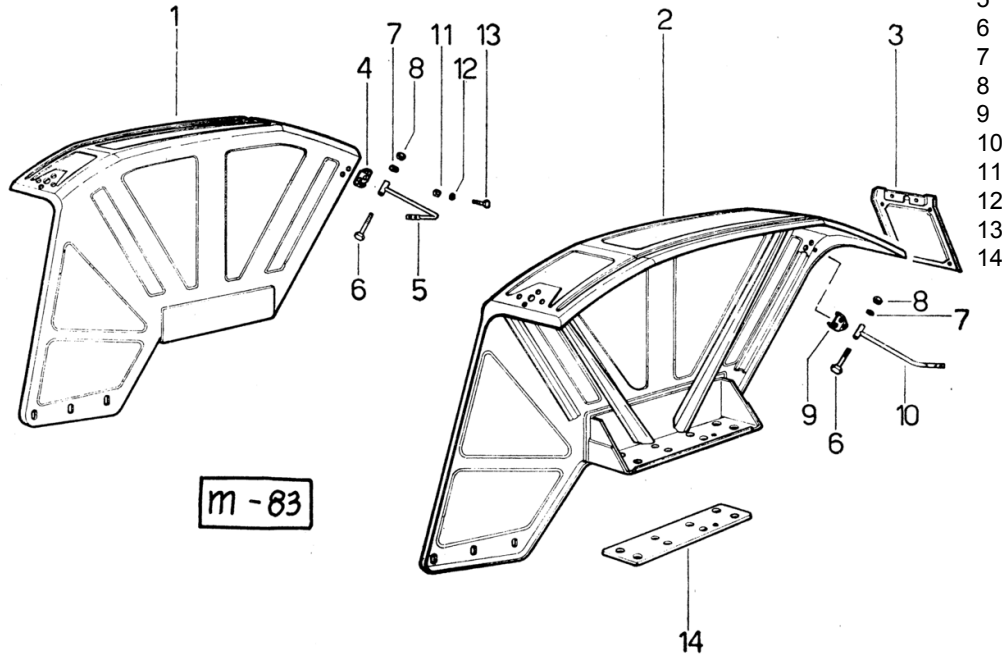


FENDERS

Fig.	Code	QTY	Name
------	------	-----	------

Notes:

- FOR PADDY FIELD TYPE



1	0.146.7912.3	1	fender
2	0.146.7913.3	1	fender
3	0.146.7627.2	1	plate holder
4	0.154.7961.0	1	-
5	0.146.7975.2	1	old part
6	2.0122.224.1	2	screw
7	2.1310.004.2	2	flat washer 8.5
8	2.1120.205.2	2	selflock nut m 8 p.1 x 8
9	0.154.7962.0	1	-
10	0.146.7976.2	1	old part
11	2.1011.106.2	6	nut m 10 p.1.5
12	2.1470.002.2	6	washer 6, d128
13	2.0112.005.2	6	screw m 6 p.1 x 16
14	0.157.7623.0	2	old part

Section: BODY WORK
ROPS - EXPORT D

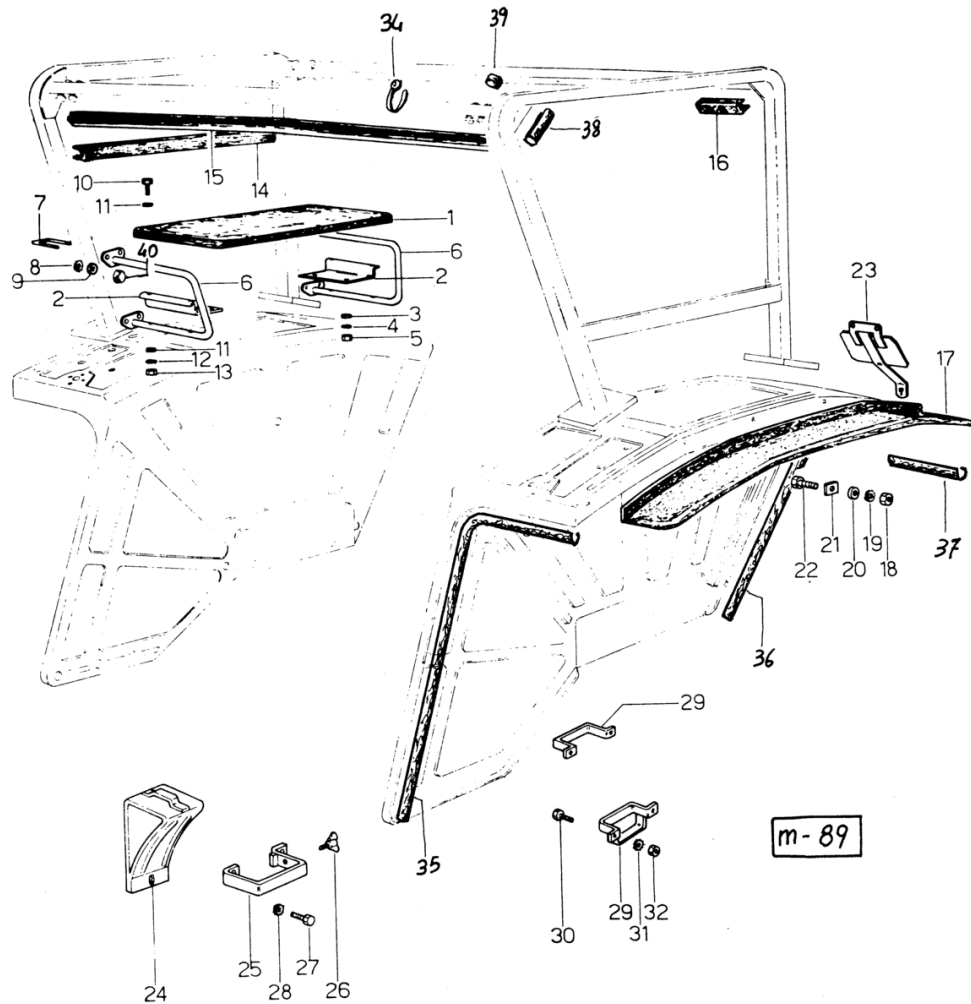
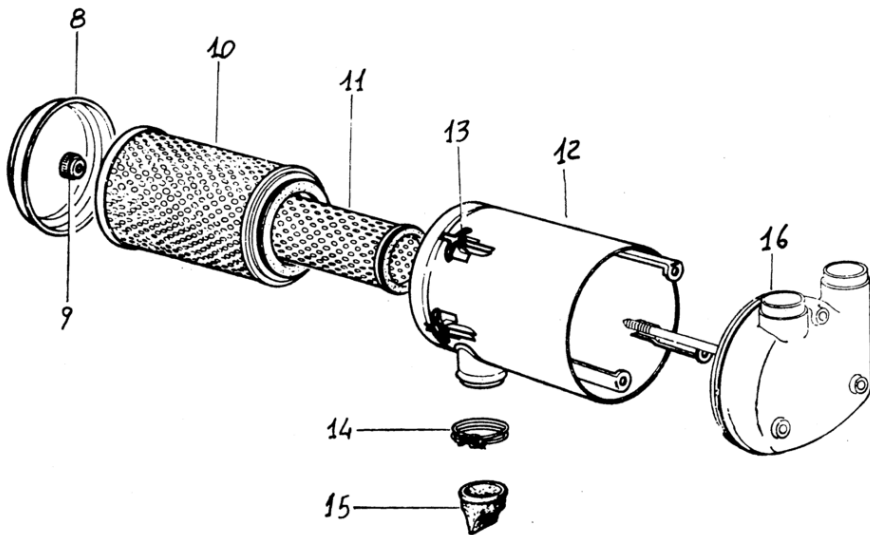
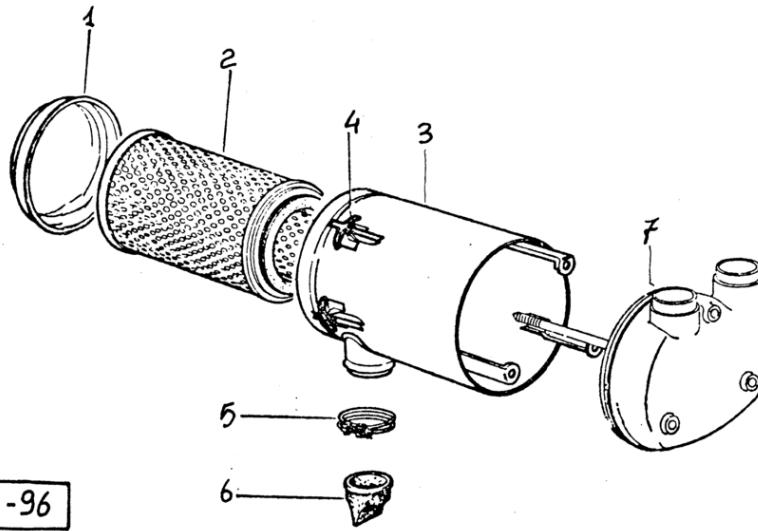


Fig.	Code	QTY	Name
1	0.146.7998.3	1	seat
2	0.146.7879.0	1	bracket
2	0.151.7557.0	1	bracket
3	2.1310.002.2	4	washer 6.6, d125
4	2.1470.002.2	4	washer 6, d128
5	2.1011.103.2	4	nut m 6 p.1
6	0.146.7880.2	2	small arm
7	0.146.7881.0	4	u bolt
8	2.1470.004.2	8	washer 8
9	2.1011.105.2	8	nut m 8 p.1.25
10	2.0112.013.2	4	screw m 6 p.1 x 35
11	2.1310.002.2	8	washer 6.6, d125
12	2.1470.002.2	4	washer 6, d128
13	2.1011.103.2	4	nut m 6 p.1
14	0.166.7862.0	1	guard
15	0.146.7882.0	1	guard
16	0.146.7883.0	2	old part
17	0.146.7882.0	2	guard
18	2.1011.103.2	10	nut m 6 p.1
19	2.1470.002.2	10	washer 6, d128
20	2.1310.002.2	10	washer 6.6, d125
21	0.154.8564.0	10	spacer
22	2.0112.005.2	10	screw m 6 p.1 x 16
23	0.157.7675.2	1	plate holder
24	0.154.8566.0	1	support
25	0.154.8567.2	1	support
26	2.0370.304.2	1	screw m 6 x 25
27	2.0112.611.1	2	screw m 16 p.2x30
28	2.1470.009.2	2	lock washer 16
29	0.146.8581.3	1	support
29	0.154.8562.0	1	u bolt
30	2.0112.004.2	4	screw m 6 p.1 x 14
31	2.1470.002.2	4	washer 6, d128
32	2.1011.103.2	4	nut m 6 p.1
34	2.6859.030.0	7	clamp
35	0.166.7856.0	2	gasket
36	0.166.7857.0	2	old part
37	0.166.7858.0	2	gasket mm 100
38	0.157.7886.0	2	gasket
39	0.166.7868.0	4	cap
40	0.163.7856.0	8	cap

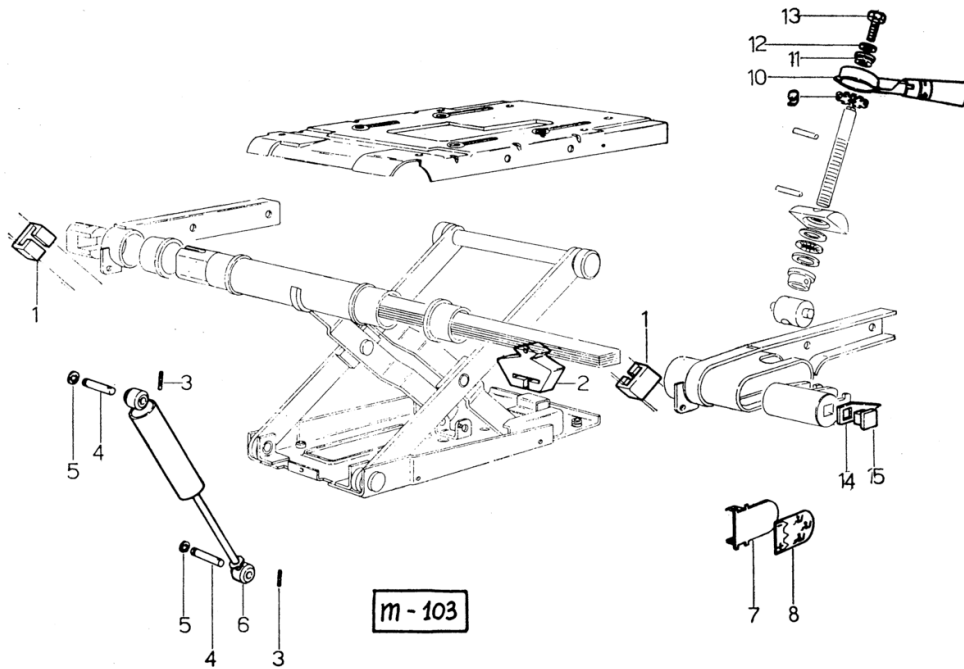
Section: BODY WORK
AIR FILTER PARTS

Fig.	Code	QTY	Name
0	2.4249.090.0	1	air filter
1	2.4249.100.3	1	cover
2	2.4249.090.1	1	external air filter element
3	0.000.0000.1	1	not serviceable
4	2.4249.020.4	4	spring
5	2.6859.010.0	1	clamp
6	2.4249.100.4	1	valve
7	0.000.0000.1	1	not serviceable
7	2.4249.020.0/10	1	air filter
8	2.4249.100.3	1	cover
9	2.4249.020.7	1	nut
10	2.4249.090.1	1	external air filter element
11	2.4249.020.6	1	internal air filter element
12	0.000.0000.1	1	not serviceable
13	2.4249.020.4	4	spring
14	2.6859.010.0	1	clamp
15	2.4249.100.4	1	valve
16	0.000.0000.1	1	not serviceable



BOSTROM TYPE SEAT - COMPONENTS

Fig.	Code	QTY	Name
1	0.163.7562.0	2	stopper
2	0.157.7551.0	1	stopper
3	2.1630.211.2	2	roll pin 3x24
4	0.157.7553.0	2	pin
5	2.1430.009.0	2	circlip 8
6	0.157.7560.0	1	shoch.absorber
7	0.163.7558.0	1	plate
8	0.163.7559.0	1	plate
9	0.163.7571.0	1	ring
10	0.163.7572.0	1	lever
11	0.157.7550.0	1	shoulder
12	2.1470.004.2	1	washer 8
13	2.0119.024.1	1	screw
14	0.163.7560.0	1	pointer
15	0.163.7561.0	1	plug



Section: ELECTRIC AL SYSTEM
ELECTRIC STARTING SYSTEM

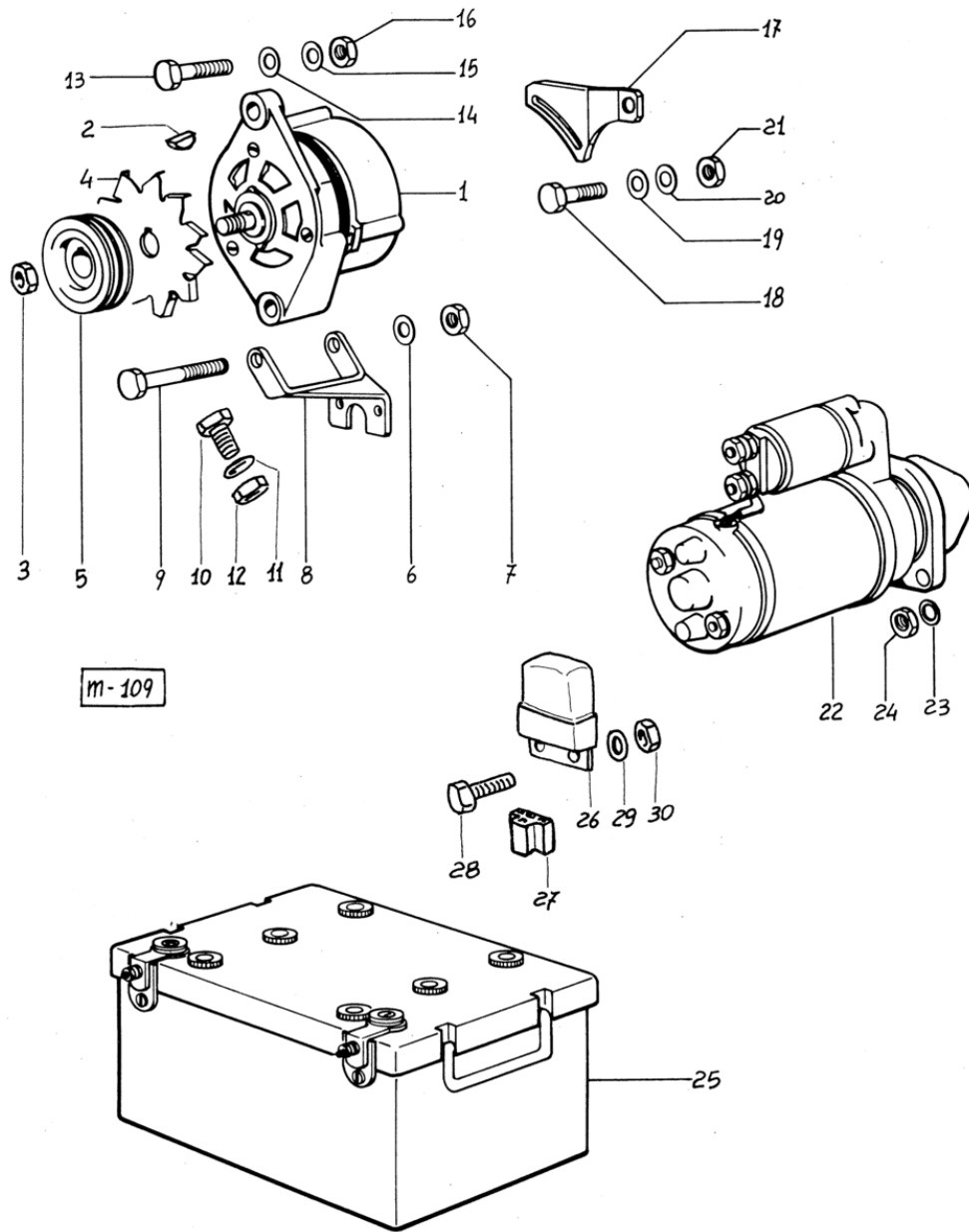
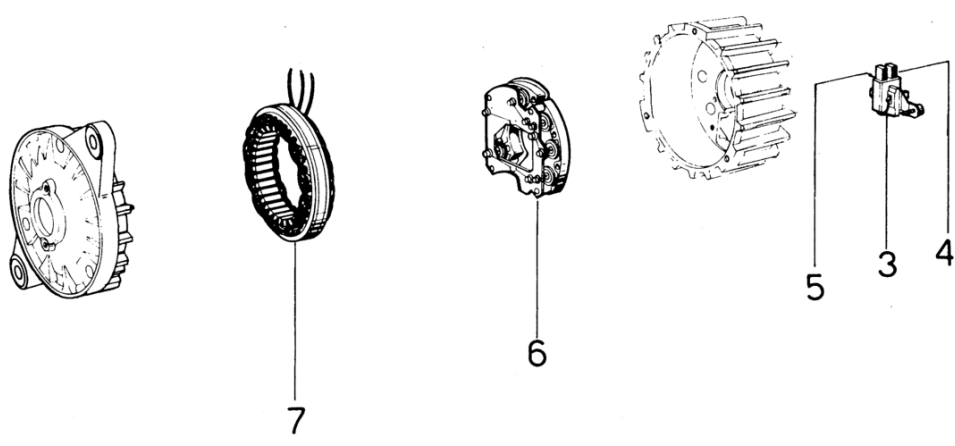


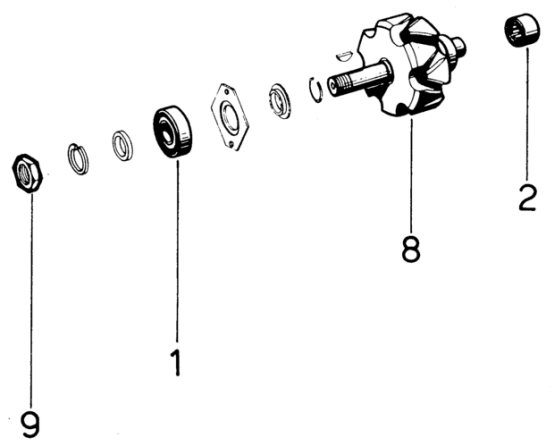
Fig.	Code	QTY	Name
22	2.9619.080.0	1	starter motor 12V - 2.5KW 2.5 HP ☞ 08.00.8 ☞ 08.00.9 ☞ 08.00.10
22	2.9619.180.0	1	starter motor 3.5 kW, Z = 11 3 KW ☞ 08.00.11 ☞ 08.00.12 ☞ 08.00.13 ☞ 2.9619.180.0
23	2.1470.006.2	2	lock washer 10
23	2.1470.007.2	2	lock washer 12
24	2.1011.321.2	2	nut m 10 p.1.25
25	2.9559.010.0	1	old part
26	2.9429.060.0	1	regulator
27	2.6039.002.0	1	socket
28	2.0112.007.2	2	screw m 6 p.1 x 20
29	2.1470.002.2	2	washer 6, d128
30	2.1011.103.2	2	nut m 6 p.1

ALTERNATOR PARTS - BOSCH 0.120.300.516

Fig.	Code	QTY	Name
1	2.2040.104.0	1	ball bearing
2	2.9439.020.5	1	bearing
3	2.9439.020.1	1	brush holder
4	2.9439.070.4	1	brush set
5	2.9439.020.3	2	spring
6	2.9439.020.4	1	plate
7	2.9439.020.6	1	coil
8	2.9439.020.7	1	rotor
9	2.1011.508.1	1	nut



m-118



Section: ENGINE
CRANKSHAFT

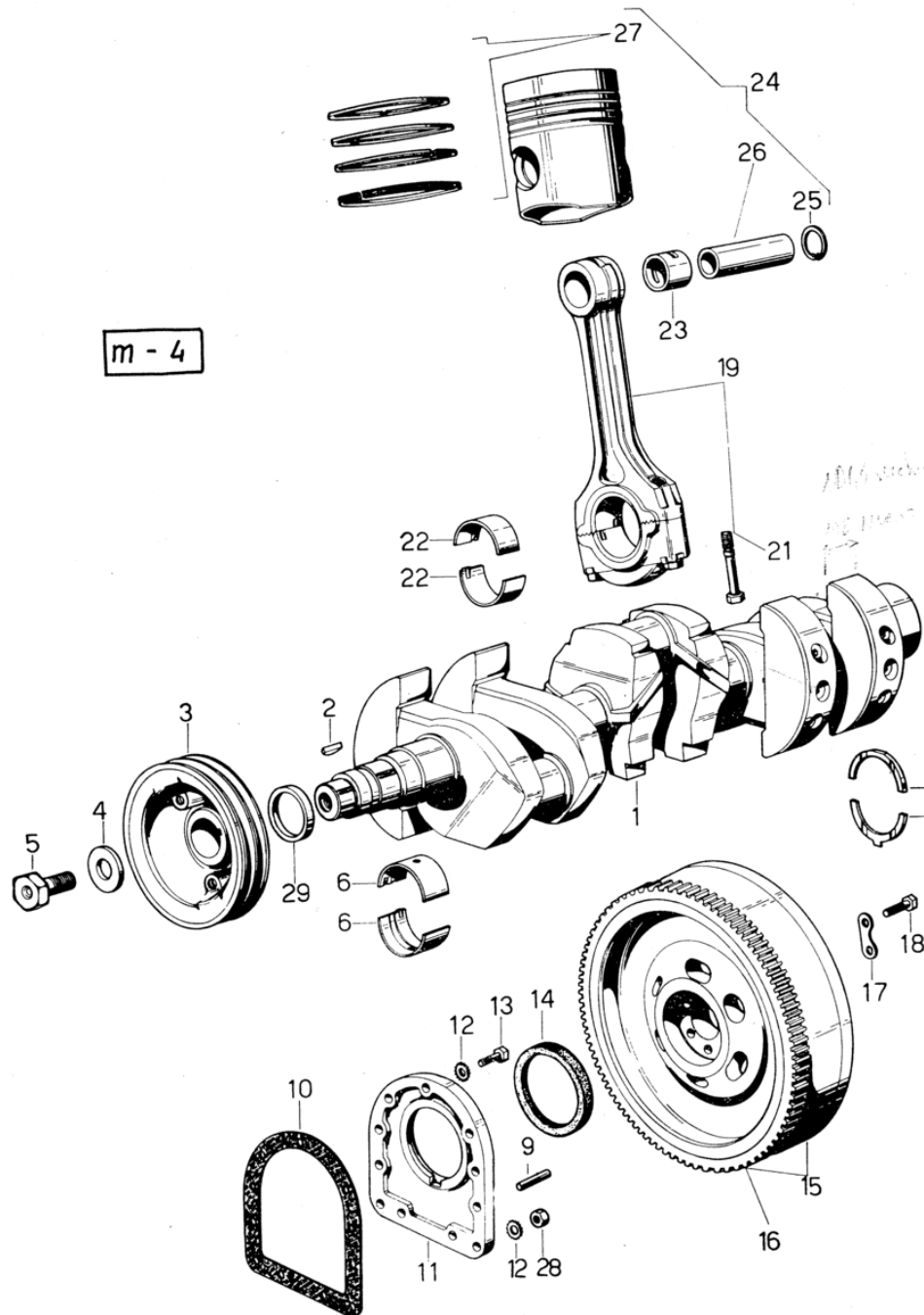


Fig.	Code	QTY	Name
21	0.039.1250.0	6	screw m 14 p.1.5x63 -> 15572
22	0.021.1225.0	6	con.rod half bushing STANDARD 15571 <-
22	0.021.1225.7	6	con.rod half bushing - mm 0.25
22	0.021.1225.8	6	con.rod half bushing - mm 0.50
22	0.021.1225.9	6	con.rod half bushing - mm 0.75
22	0.021.0068.0	6	con.rod half bushing
22	0.039.1225.0	6	con.rod half bushing -> 15572
22	0.039.1225.7	6	con.rod half bushing -mm 0.254
22	0.039.1225.8	6	con.rod half bushing -mm 0.508
22	0.039.1225.9	6	con.rod half bushing -mm 0.762
22	0.039.0068.0	6	con.rod half bushing - mm 1.016
23	0.002.4168.0	3	bushing
24	0.029.0060.6	3	complete piston STANDARD 9800 <-
24	0.029.0061.6	3	complete piston + mm 0.5
24	0.029.0062.6	3	complete piston + mm 1.0
24	0.038.0060.6/10	3	complete piston STANDARD -> 9801
24	0.038.0061.6/10	3	complete piston + mm 0.50
24	0.038.0062.6/10	3	complete piston + mm 1.0
25	2.1411.014.1	6	circlip 35
26	0.002.4167.0	3	piston pin 9800 <-
26	0.038.1236.0	3	piston pin -> 9801
27	0.029.0052.6	3	piston ring set 9800 <-
27	0.029.0053.6	3	piston ring set + mm 0.5
27	0.029.0054.6	3	piston ring set + mm 1.0
27	0.054.0052.6	3	piston ring set -> 9801
27	0.054.0053.6	3	piston ring set + mm 0.5
27	0.054.0054.6	3	piston ring set + mm 1.0
28	2.1011.421.2	2	nut m 10 p.1.25
29	0.034.1256.0	1	spacer -> 16437

CLICK HERE TO **DOWNLOAD** THE COMPLETE MANUAL

- Thank you very much for reading the preview of the manual.
- You can download the complete manual from: www.heydownloads.com by clicking the link below



- Please note: If there is no response to CLICKING the link, please download this PDF first and then click on it.

CLICK HERE TO **DOWNLOAD** THE COMPLETE MANUAL

Section: ENGINE
FUEL SUPPLY SYSTEM 9800 <-

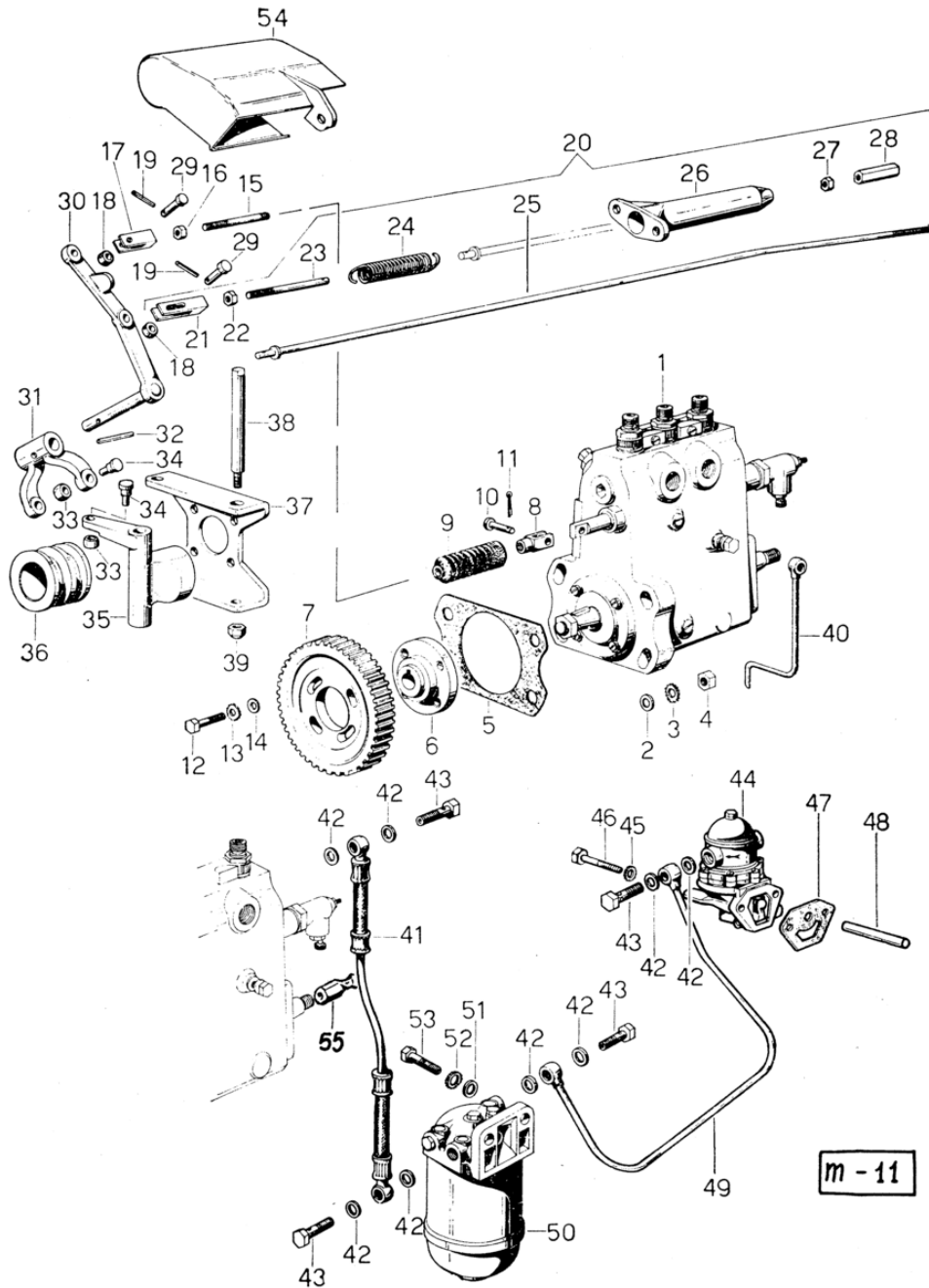
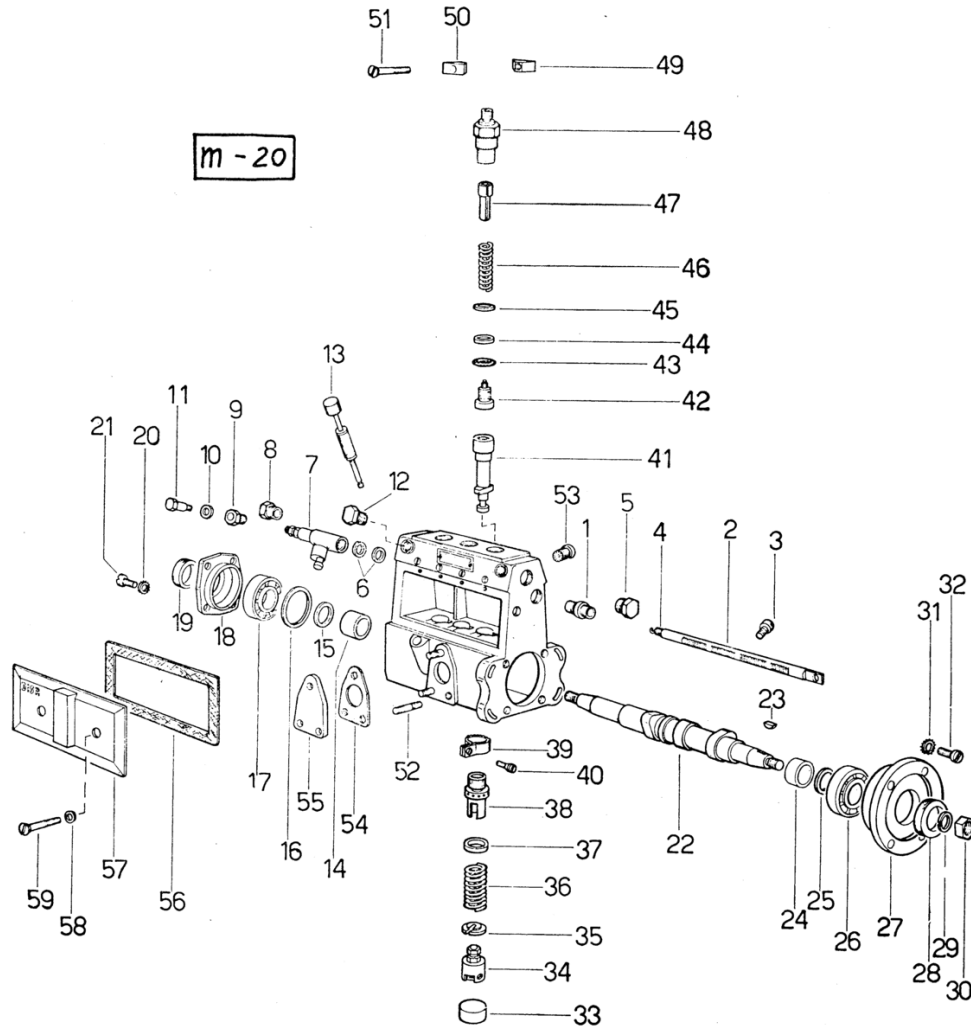


Fig.	Code	QTY	Name
1	2.4639.030.0	1	injector pump - BOSCH ☞ 02.00.1
1	2.4639.040.0	1	old part - DISA ☞ 01.00.19
2	2.1310.006.2	4	flat washer 10.5
3	2.1470.006.2	4	lock washer 10
4	2.1011.421.2	4	nut m 10 p.1.25
5	0.029.1654.0	1	gasket
6	0.029.1657.0	1	joint
7	0.029.1611.0	1	gear
8	0.000.5620.0	1	fork m 6
9	0.000.5617.0	1	dust guard
10	2.1670.106.2	1	pin
11	2.1690.106.0	1	split pin
12	2.0122.205.2	4	screw m 8 p.1 x 16
13	2.1470.004.2	4	washer 8
14	2.1310.004.2	4	flat washer 8.5
15	0.029.1622.0	1	rod
16	2.1011.103.2	1	nut m 6 p.1
17	0.000.4699.0	1	fork
18	2.1599.109.0	2	snoulder
19	2.1630.006.0	2	roll pin 2x12
20	0.029.1624.4	1	spring holder 6386 <-
20	0.027.1624.4	1	spring holder -> 6387
21	2.3519.004.1	1	fork
22	2.1011.103.2	1	nut m 6 p.1
23	0.029.1627.0	1	stay
24	2.4049.054.1	1	spring
25	0.029.1626.3	1	stay 6386 <-
25	0.027.1626.3	1	rod -> 6387
26	0.029.1624.0	1	spring holder
27	2.1011.103.2	1	nut m 6 p.1
28	2.1099.011.2	1	special nut
29	2.1679.018.0	2	pin
30	0.029.1621.0	1	old part WITH SHAFT AND PIN 1472 <-
30	0.029.1621.3	1	lever -> 1473

INJECTION PUMP PARTS - DISA

Fig.	Code	QTY	Name
1	0.001.0411.0	1	old part
2	2.4639.041.0	1	old part
3	2.4689.020.8	1	screw
4	0.001.8951.0	1	old part
5	2.3110.002.1	1	plug m 12 p.1.75 x 10
6	0.001.4906.0	2	old part
7	0.001.8946.4	1	old part
8	0.001.0431.0	1	old part
9	0.001.4897.0	1	reduction
10	2.1560.201.0	1	gasket 6.2x10
11	0.001.0436.0	1	screw
12	2.4639.040.8	1	old part
13	2.4649.020.1	1	rod
14	2.4639.041.6	1	old part
15	0.001.4859.0	1	old part
16	2.4639.041.7	1	old part
17	2.4639.041.9	1	old part
18	2.4639.041.8	1	old part
19	2.1510.003.0	1	oil seal
20	2.1470.002.2	4	washer 6, d128
21	2.0230.410.1	4	old part
22	2.4639.041.1	1	old part
23	2.1720.006.0	1	key 4x6.5
24	2.4639.041.2	1	old part
25	2.4639.041.3	1	old part
26	2.2030.005.0	1	ball bearing
27	2.4639.041.4	1	old part
28	2.1510.006.0	1	oil seal
29	2.1470.010.2	1	lock washer 18
30	2.1011.408.1	1	nut m 14 p.1.5
31	2.1470.002.2	4	washer 6, d128
32	2.0230.410.1	4	old part
33	2.4629.040.3	3	old part
34	2.4639.041.5	3	old part
35	0.001.4845.0	3	old part
36	0.001.0417.0	3	spring
37	0.001.0418.0	3	old part
38	0.001.0419.0	3	old part
39	2.4649.010.4	3	sector mm 22.85
40	0.001.4847.0	3	old part
41	2.4639.040.7	3	old part
42	2.4639.040.6	3	old part
43	2.4639.040.5	3	old part
44	2.4639.040.4	3	spacer

m-20



MINITAURO

FRONT AND REAR P.T.O.

GENERAL

P.T.O. - POWER TAKE OFF	05.00.1
P.T.O. ENGAGEMENT CONTROL	05.00.2

Section: FRONT AXEL
2WD - EXTENSIBLE AXLE

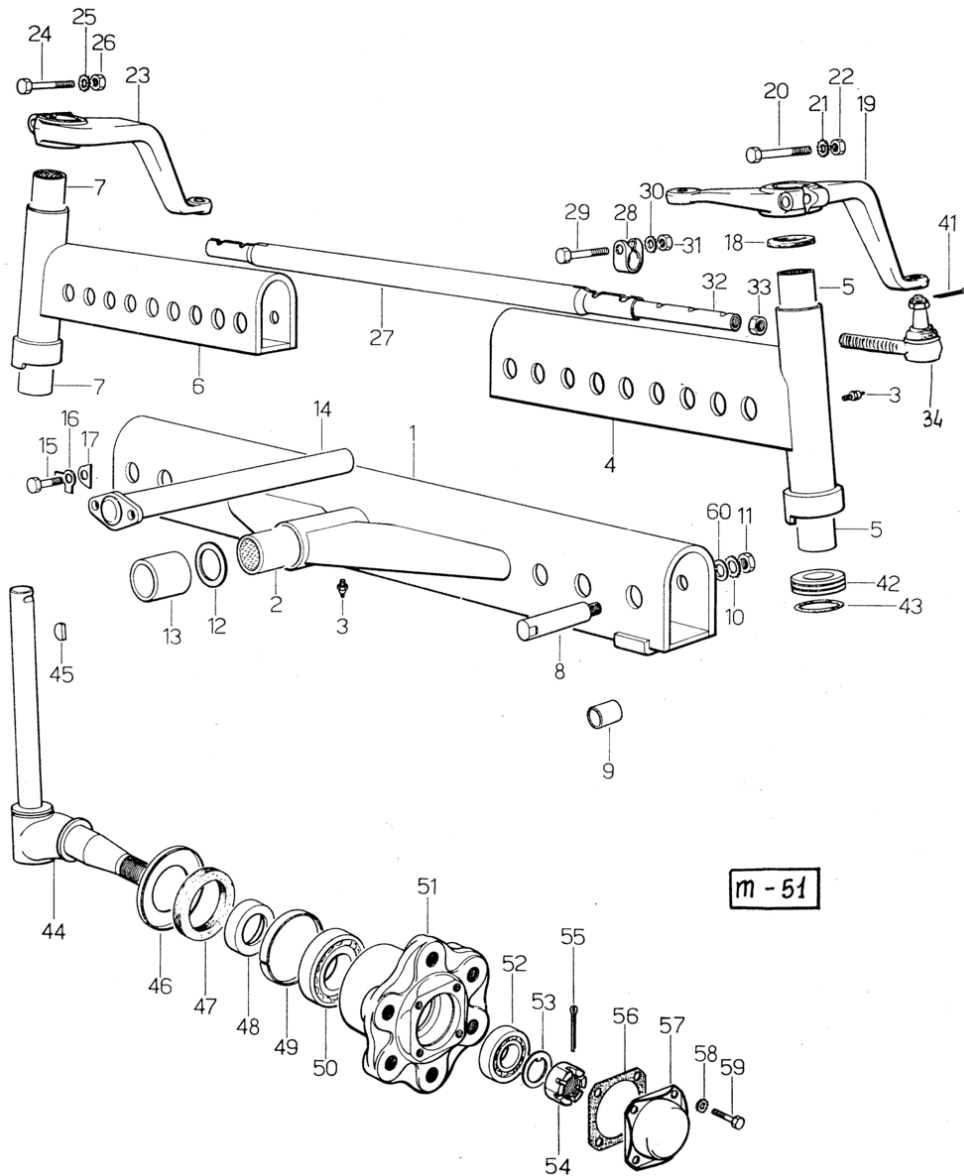


Fig.	Code	QTY	Name
51	0.146.4224.0	2	wheel hub WITH 4 HOLES FOR WHEEL ATTACHMENT
51	0.146.4285.0	2	wheel hub WITH 6 HOLES FOR WHEEL ATTACHMENT
52	2.2560.003.0	2	roller bearing 30x72x20.75
53	2.1249.002.0	2	lock-nut 30x50x3
54	2.1029.001.1	2	nut m 30 p.1.5
55	2.1690.516.0	2	split pin a5x50
56	0.001.2921.0	2	gasket
57	0.001.2920.0	2	small cover
58	2.1470.004.2	8	washer 8
59	2.0112.205.2	8	screw m 8 p.1.25 x 16
60	2.1310.011.2	8	flat washer 19x34

Section: FRONT AXEL
4WD - DIFFERENTIAL

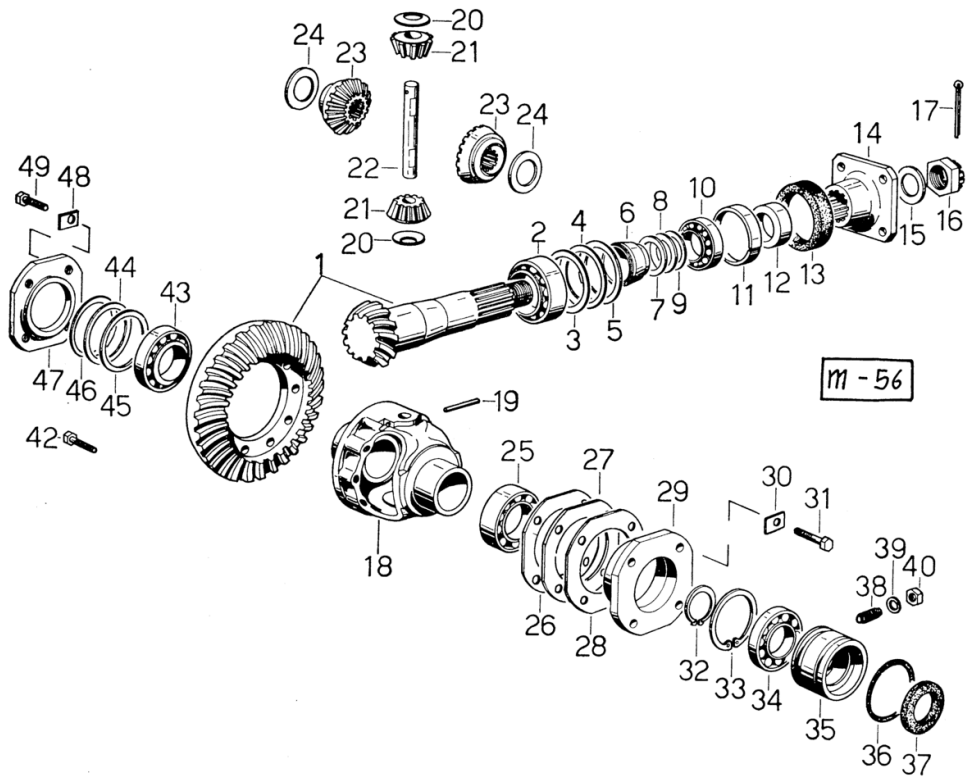


Fig.	Code	QTY	Name
38	2.0599.022.1	2	screw m 12x44
39	2.1560.008.0	2	gasket 12.2 x 18
40	2.1120.107.2	2	selflock nut m 12 p.1.25
42	2.0139.005.1	10	screw m 10 p.1 x 25
43	2.2520.010.0	1	roller bearing 45x85x20.75
44	2.1580.219.0	2	shim 74x84x0.5
45	2.1580.218.0	2	shim 74x84x0.2
46	2.1580.220.0	2	shim 74x84x0.05
47	0.146.4612.0	1	flange
48	2.1360.004.0	4	lock-tab 8.4
49	2.0112.209.2	4	screw m 8 p 1.25 x 25

CLUTCH AND GEARBOX BRAKING CONTROL

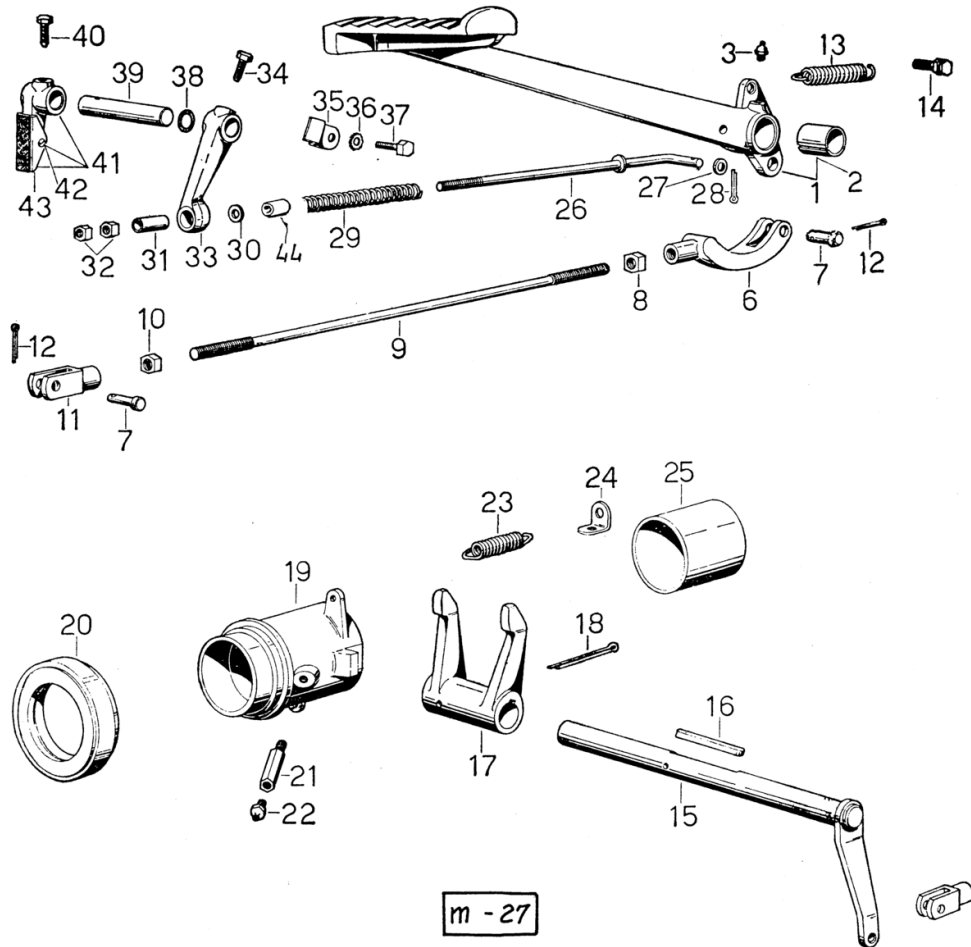


Fig.	Code	QTY	Name
41	0.135.6523.3	1	clutch lever
42	2.1699.004.0	1	pin
43	0.002.4137.3	1	shoe
44	2.1579.121.0	1	spacer 9x18x4

Section: GEAR
GEARSHIFT LEVER 29107 <-

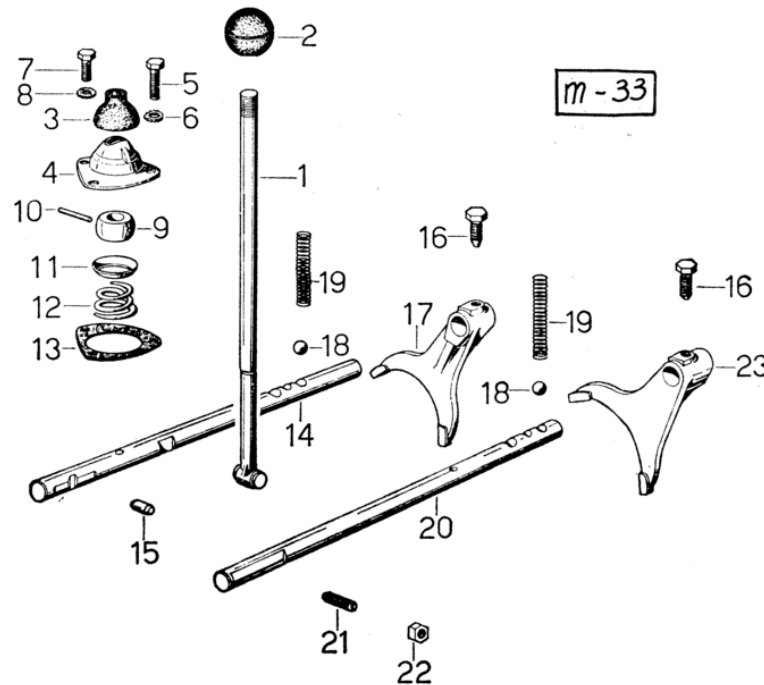
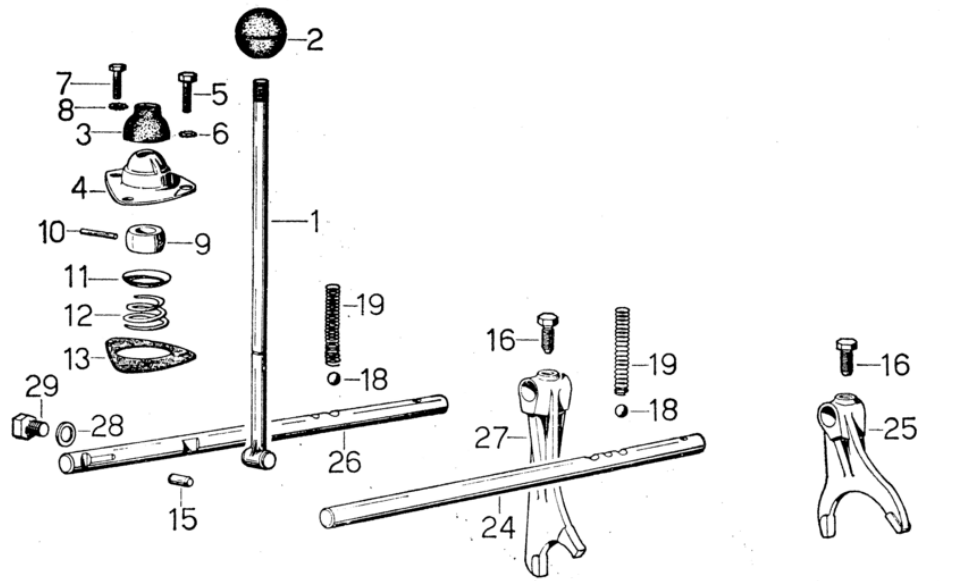
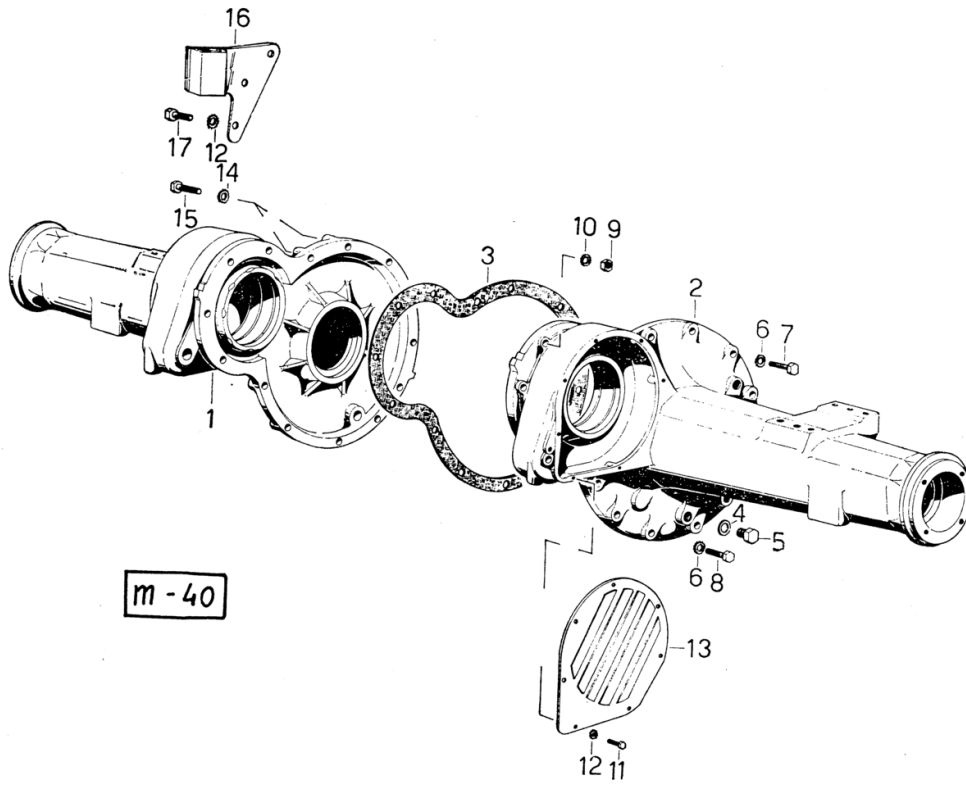


Fig.	Code	QTY	Name
1	0.146.6410.0/30	2	gear lever ORDER ALSO: 1x BALL 146.6450.0/10B - 1x PIN 2.1699.046.0
2	0.146.6413.0	2	grip m 12 p.1.75
3	0.146.6415.0	2	cap
4	0.146.6412.0/30	2	support
5	2.0112.207.2	2	screw m 8 p 1.25 x 20
6	2.1470.004.2	2	washer 8
7	2.0112.205.2	4	screw m 8 p.1.25 x 16
8	2.1470.004.2	4	washer 8
9	0.146.6450.0/10	2	ball
10	0.002.6352.0	2	pin 5x37
10	2.1699.046.0	2	pin 4x37
11	0.002.6350.0	2	cup
12	2.4029.005.1	2	spring
13	0.146.6451.0/20	2	gasket
14	0.146.6421.0	1	rod
15	0.146.6425.0	2	ferrule
16	2.0399.019.1	4	screw m 8 p.1 x 16
17	0.146.6431.0	1	fork
18	2.2810.006.0	4	ball 3/8" WD
19	2.4019.087.1	4	spring
20	0.146.6420.0	1	rod
21	2.0599.018.1	1	screw
22	2.1019.012.1	1	special nut
23	0.146.6430.0	1	fork
24	0.146.6423.0	1	rod
25	0.146.6433.0/10	1	fork 3735 <- ORDER ALSO: 1x GEAR 146.3420.0/20 1x SHAFT 146.3423.0/20
26	0.146.6424.0	1	old part
26	0.146.6424.0/10	1	27749 <- rod -> 27750
27	0.146.6434.0	1	old part
27	0.146.6434.0/20	1	4453 <- fork -> 4454
28	2.1560.007.0	1	gasket 12.2x16
29	2.3110.302.1	1	plug m 12 p.1.75 x 10
29	2.3110.402.1	1	320 <- plug m 12 p.1.5x10 -> 321

REAR AXLE

Fig.	Code	QTY	Name
------	------	-----	------

Notes:
ORCHARD TYPE



1	0.149.4410.0	1	wheel support
2	0.149.4411.0	1	wheel support
2	0.149.4411.0/10	1	41619 <- wheel support >- 41620
3	0.146.4450.0	2	gasket
4	2.1560.054.0	3	gasket 21 x 26
5	2.3199.001.2	3	plug 1/2" gas
6	2.1470.006.2	18	lock washer 10
7	2.0112.317.2	14	screw m 10 p.1.5 x 45
8	2.0112.313.2	4	screw m 10 p.1.5 x 35
9	2.1011.321.2	8	nut m 10 p.1.25
10	2.1470.006.2	8	lock washer 10
11	2.0112.205.2	11	screw m 8 p.1.25 x 16
12	2.1470.004.2	14	washer 8
13	0.146.4451.0	2	plate
14	2.1474.011.1	2	washer 12
15	2.0112.419.1	2	screw m 12 p.1.75 x 50
16	0.146.4440.2/10	1	old part
17	2.0112.207.2	3	screw m 8 p 1.25 x 20

HAND BRAKE - EXPORT D -> 14727

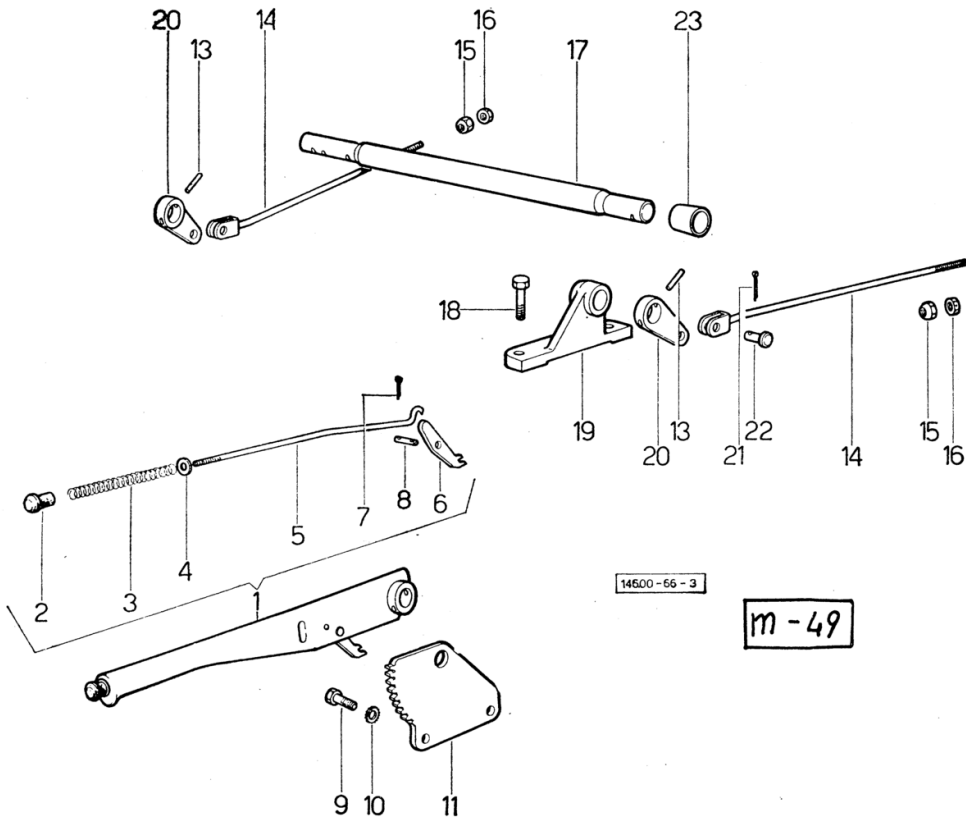


Fig.	Code	QTY	Name
1	0.146.6654.4	1	old part
2	0.155.6622.0	1	push-button
3	2.4019.011.1	1	spring
4	2.1599.040.2	1	old part
5	0.146.6653.0/20	1	old part
6	0.155.6623.0	1	old part
7	2.1690.308.2	1	split pin 3.2 x 20
8	2.1670.304.2	1	pin 8x20x17
9	2.0112.309.2	2	screw m 10 p.1.5 x 25
10	2.1470.006.2	2	lock washer 10
11	0.146.6660.0	1	support
13	2.1630.613.0	1	roll pin 6 x 30
14	0.146.6652.2/10	2	rod
15	2.1099.006.2	2	special nut
16	2.1011.105.2	2	nut m 8 p.1.25
17	0.146.6661.0	2	old part
18	2.0112.211.2	2	screw m 8 p.1.25 x 30
19	0.146.6651.0/10	1	old part
20	0.135.6657.0	2	lever
21	2.1690.106.0	1	split pin
22	2.1670.406.2	2	pin 10x25x21.5
23	2.1579.152.2	1	old part

Section: S.A.C.
REGULATING DISTRIBUTOR

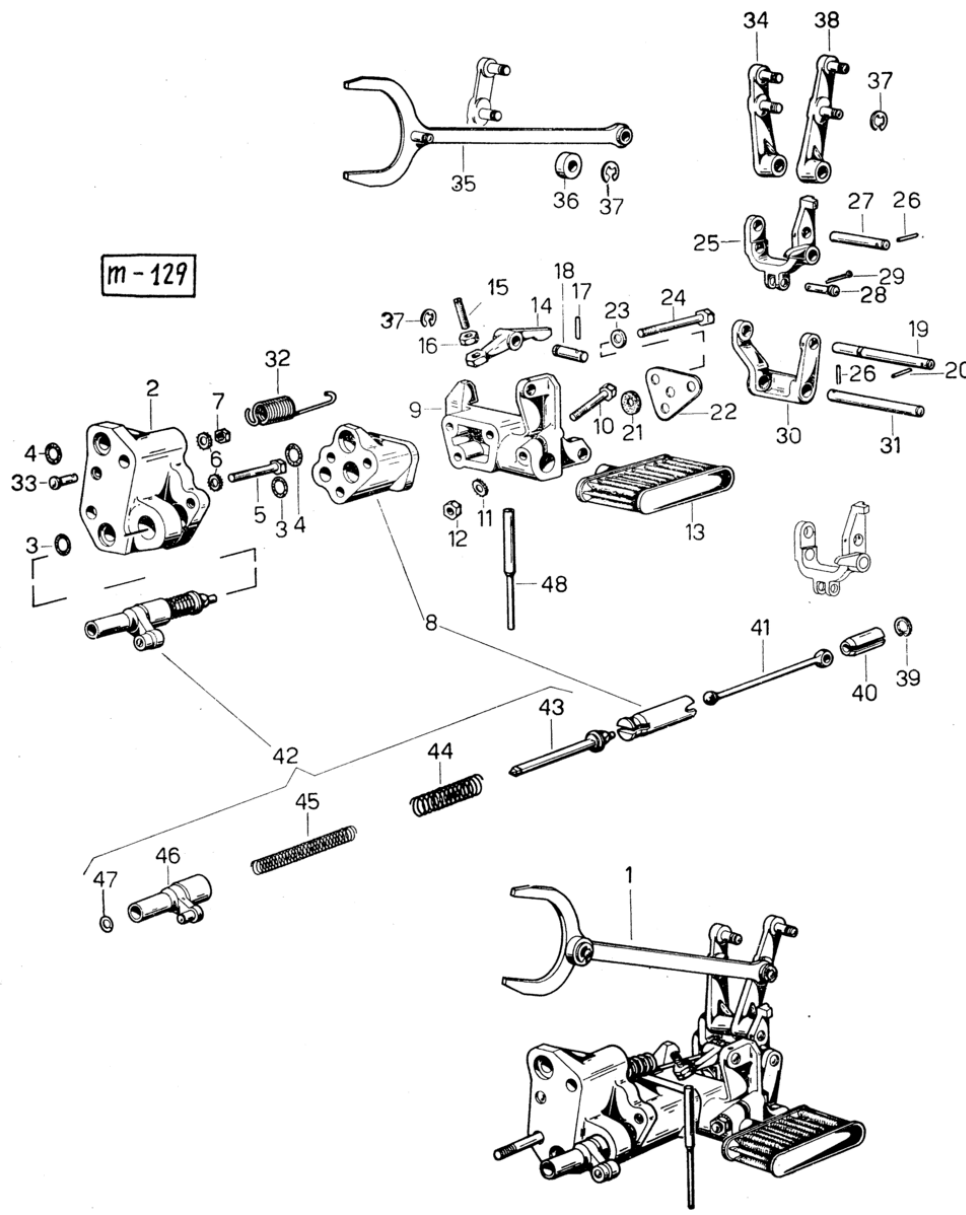


Fig.	Code	QTY	Name
24	2.0112.224.2	3	screw m 8 p.1.25x75
25	0.9011.438.0	1	lever
25	0.9011.438.0/10	1	27209 <- lever -> 27210
26	2.1630.208.0	2	roll pin 3x16
27	0.9000.459.0	1	pin
28	2.1670.103.2	1	pin
29	2.1690.206.2	1	split pin 2x16
30	0.9011.429.0	1	lever
31	0.9000.458.0	1	pin
32	2.4049.050.1	1	spring
33	0.9011.450.0	1	pin
34	0.9011.436.3	1	lever
35	0.9011.437.3	1	fork
35	0.9000.437.3/20	1	29107 <- FOR EXPORT MARKET E 29581 <- FOR ITALIAN MARKET fork -> 29108 FOR EXPORT MARKET -> 29582 FOR ITALIAN MARKET
35	0.9011.437.3	1	fork FOR ORCHARD TYPE
36	0.001.3702.0	1	roller
37	2.1430.008.0	3	ring
38	0.9011.435.3	1	lever
39	2.1411.001.1	1	circlip 10
40	0.001.3694.0	1	spacer
41	0.001.3693.0	1	ferrule
42	0.9000.413.4/10	1	lever
43	0.001.3687.0	1	small shaft
44	2.4019.003.1	1	spring
45	2.4019.002.1	1	spring
46	0.9000.413.3/10	1	lever
47	2.1499.005.0	1	circlip
48	0.9011.431.0	1	ferrule
48	0.9031.431.0	1	29107 <- FOR EXPORT MARKET E 29581 <- FOR ITALIAN MARKET old part -> 29108 FOR EXPORT MARKET -> 29582 FOR ITALIAN MARKET
48	0.9011.431.0	1	ferrule FOR ORCHARD TYPE

STEERING BOX - STEERING CONTROLS

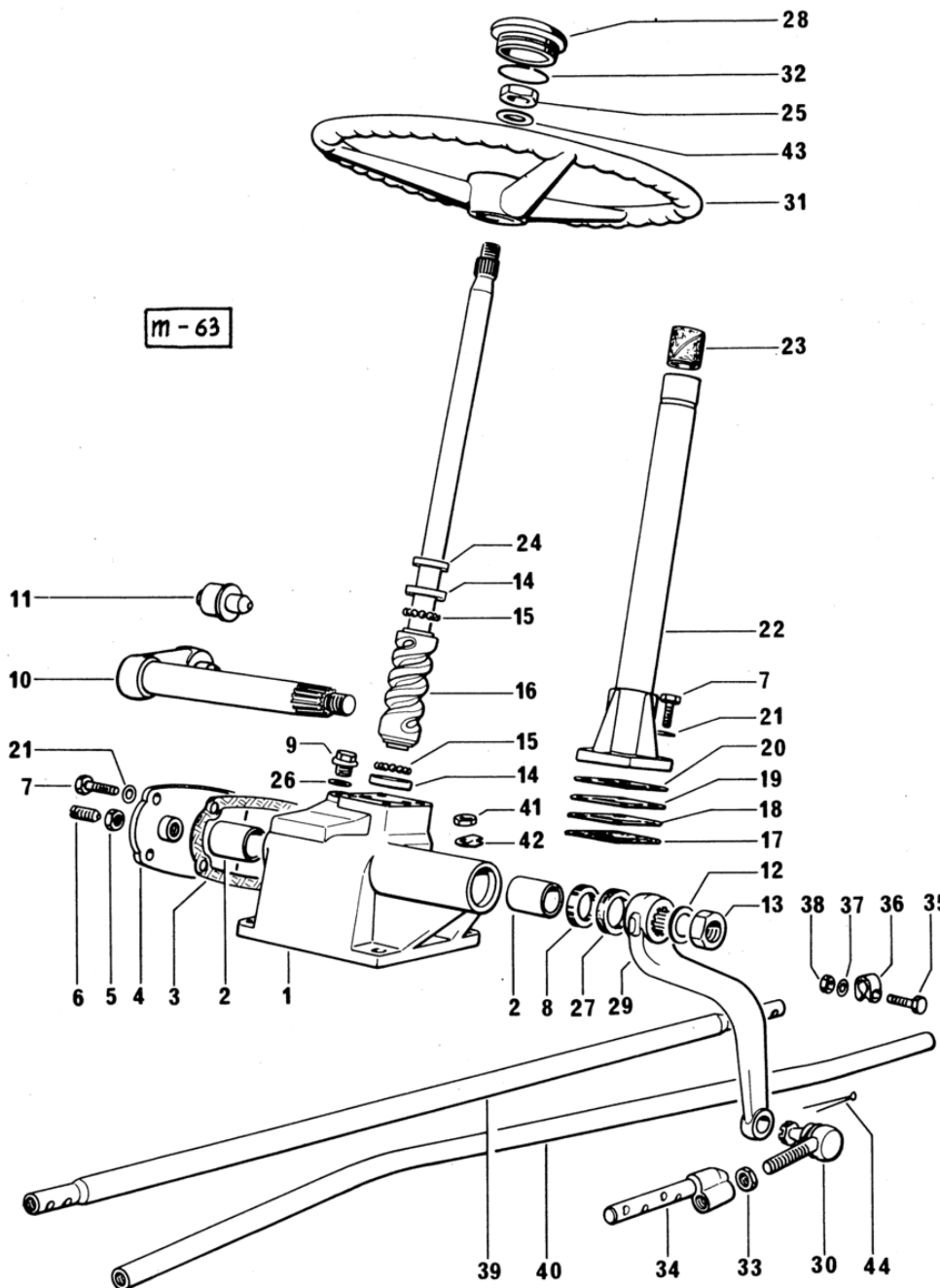


Fig.	Code	QTY	Name
0	0.139.6210.4/20	1	steering box 2WD
0	0.135.6210.4/40	1	steering box 4WD
1	0.139.6210.3	1	steering box
2	0.139.6250.0	2	bushing
3	0.139.6253.0	1	gasket
4	0.139.6215.0	1	cover
5	0.139.6260.0	1	nut
6	0.139.6251.0	1	screw m 12 p.1.25
7	0.139.6263.0	8	bolt
8	2.1510.017.0	1	oil seal
9	0.003.6707.0	1	plug
10	0.139.6222.3	1	old part
11	0.139.6265.3	1	pin
12	2.1474.019.1	1	spring washer 30
13	0.139.6258.0	1	nut
14	0.139.6252.0	2	ball race
15	2.2810.002.0	34	ball mm 6.350
16	0.139.6220.0/10	1	steering shaft 2WD
16	0.136.6250.0/10	1	steering shaft 4WD
17	0.139.6257.0	1	gasket mm 0.15
18	0.139.6256.0	1	shim mm 0.50
19	0.139.6255.0	2	shim mm 0.20
20	0.139.6254.0	3	shim mm 0.05
21	2.1470.004.2	8	washer 8
22	0.139.6212.2/10	1	steering column
23	0.139.6217.0	1	bushing
24	0.139.6259.0	1	spacer
25	2.1011.511.1	1	nut m 20 p.1.5
26	2.1560.053.0	1	gasket 17 x 21
27	0.139.6261.0	1	dust guard
28	0.002.1833.0	1	small cap
28	0.002.1833.0	1	small cap FOR VINEYARD TYPE
28	0.146.6111.0	1	small cap 3859 <- >- 3860
29	0.146.6120.0	1	steering lever 2WD - 30699 <- - X ITALY
29	0.146.6121.0	1	steering lever 2WD -> 30670 - X ITALY

MINITAURO

WHEELS

GENERAL

2WD - WHEELS.....	09.00.1
4WD - WHEELS.....	09.00.2
2WD - WHEELS.....	09.00.3
4WD - WHEELS.....	09.00.4
WHEELS.....	09.00.5

CLICK HERE TO **DOWNLOAD** THE COMPLETE MANUAL

- Thank you very much for reading the preview of the manual.
- You can download the complete manual from: www.heydownloads.com by clicking the link below



- Please note: If there is no response to CLICKING the link, please download this PDF first and then click on it.

CLICK HERE TO **DOWNLOAD** THE COMPLETE MANUAL