

**HIGH EFFICIENCY
MAST # 6
R40TN W/ & W/O
POWER TILT & SIDE
SHIFT
PARTS CATALOG**

**S/N-020-29000 & UP
021-4000 & UP
031-13050 & UP**

**DATED JAN 15, 1991
GOES WITH PUBLICATION—PDMM-0005**

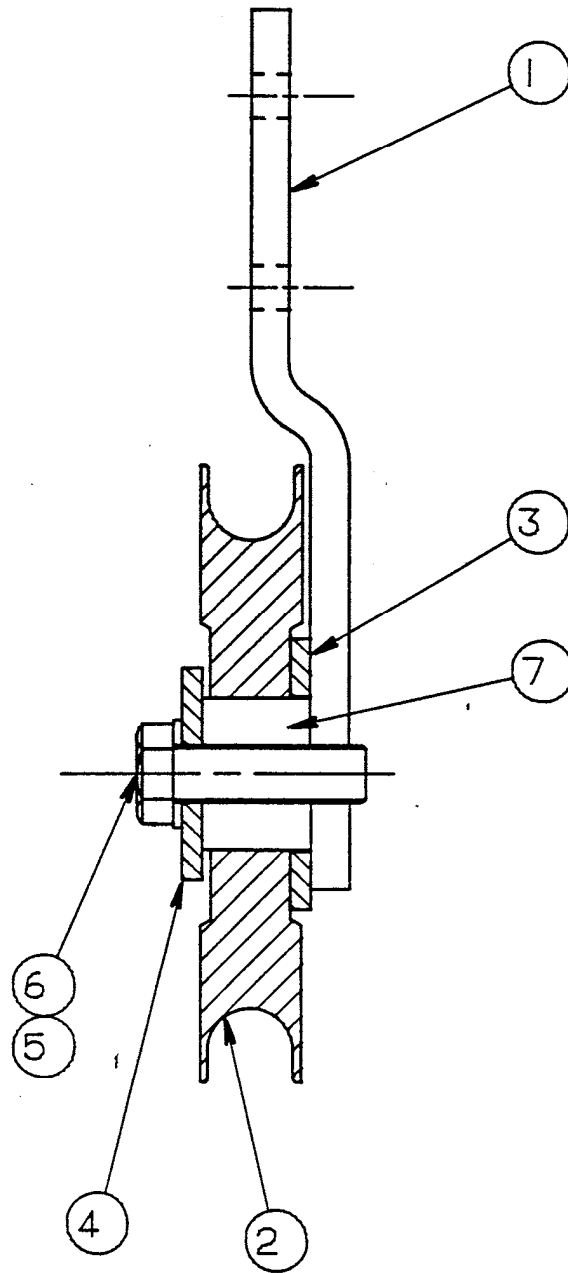
CLICK HERE TO **DOWNLOAD** THE COMPLETE MANUAL

- Thank you very much for reading the preview of the manual.
- You can download the complete manual from: www.heydownloads.com by clicking the link below



- Please note: If there is no response to CLICKING the link, please download this PDF first and then click on it.

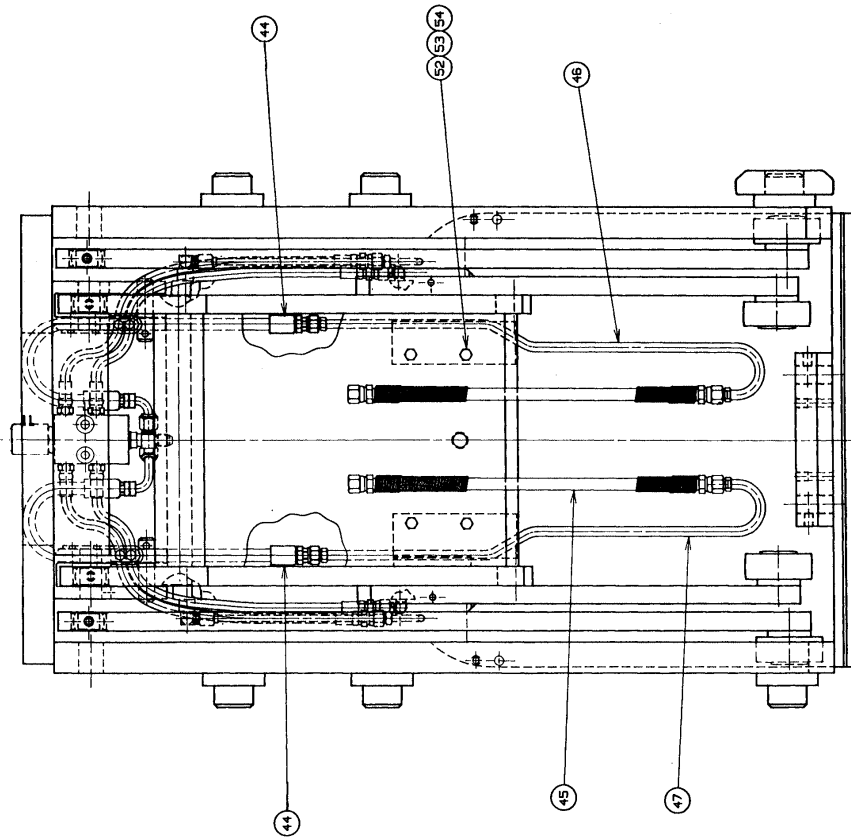
CLICK HERE TO **DOWNLOAD** THE COMPLETE MANUAL



PULLEY BRACKET ASSEMBLY
Figure 828-000-797 (B)

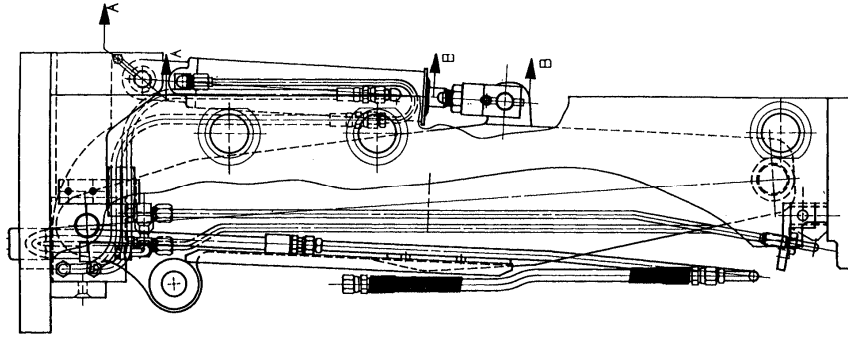
HIGH EFFICIENCY MAST

Page 613.1
Added 1/15/91

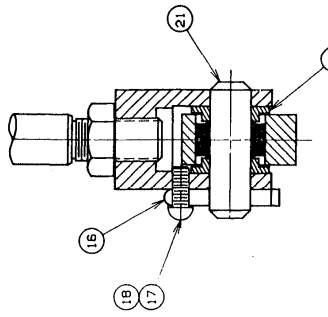


FRONT VIEW 2 & 3 FUNCTION

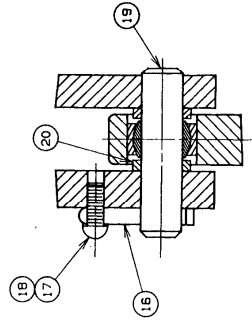
PART NO.: /001 & /002



SIDE VIEW 2 & 3 FUNCTION



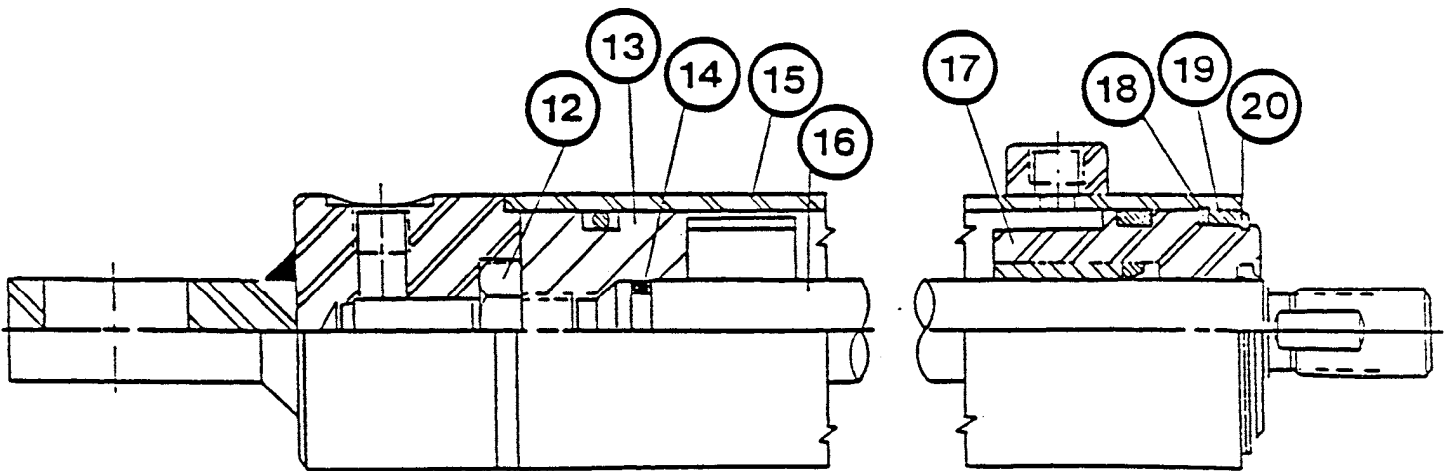
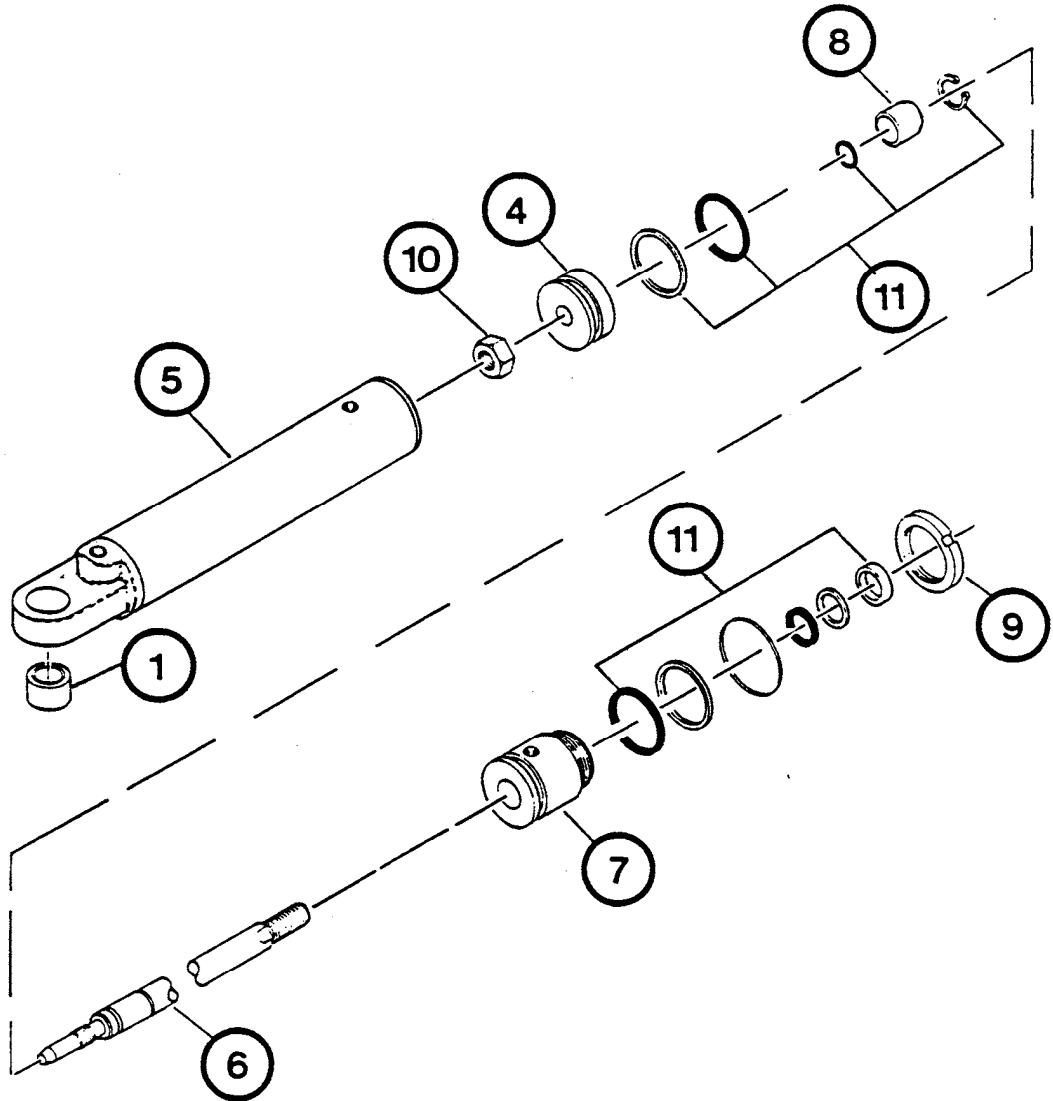
DETAIL B-B
SCALE: 1=1
TYPICAL FOR ALL PART NO'S



DETAIL A-A
SCALE: 1=1
TYPICAL FOR ALL PART NO'S

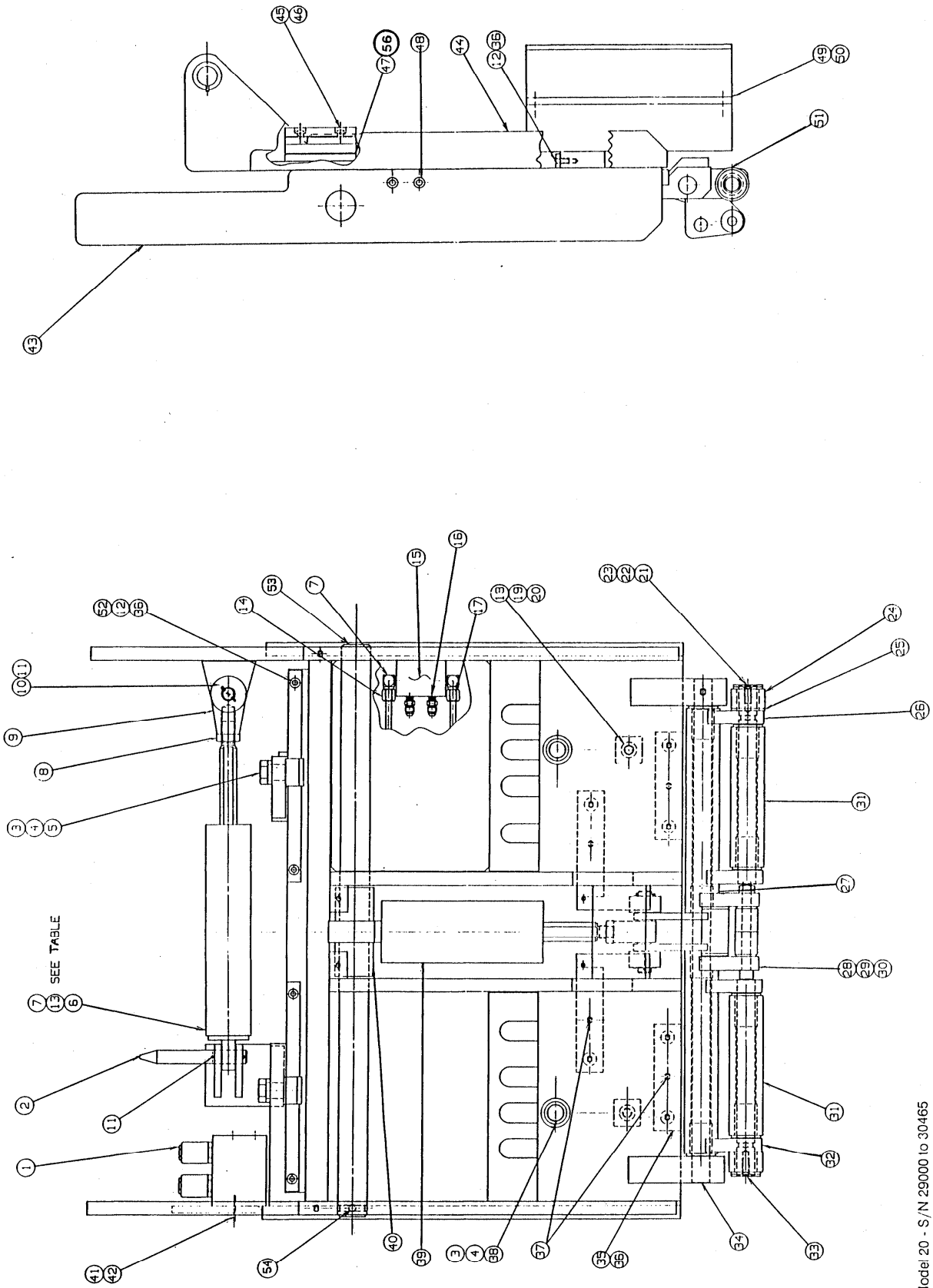
Model 20 - S/N _____ and Up
Model 21 - S/N _____ and Up
Model 31 - S/N _____ and Up
Sheet 3 of 4

REACH CARRIAGE ASSEMBLY
Figure 828-000-619 / (J)



Model 20 - S/N _____ and Up
Model 21 - S/N _____ and Up
Model 31 - S/N _____ and Up

CYLINDER ASSEMBLY
Figure 540-047/



Model 20 - S/N 29000 to 30465
Model 21 - S/N 4000 to 4702
Model 31 - S/N 13050 to 14202
Side Shift

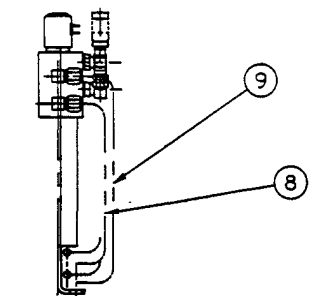
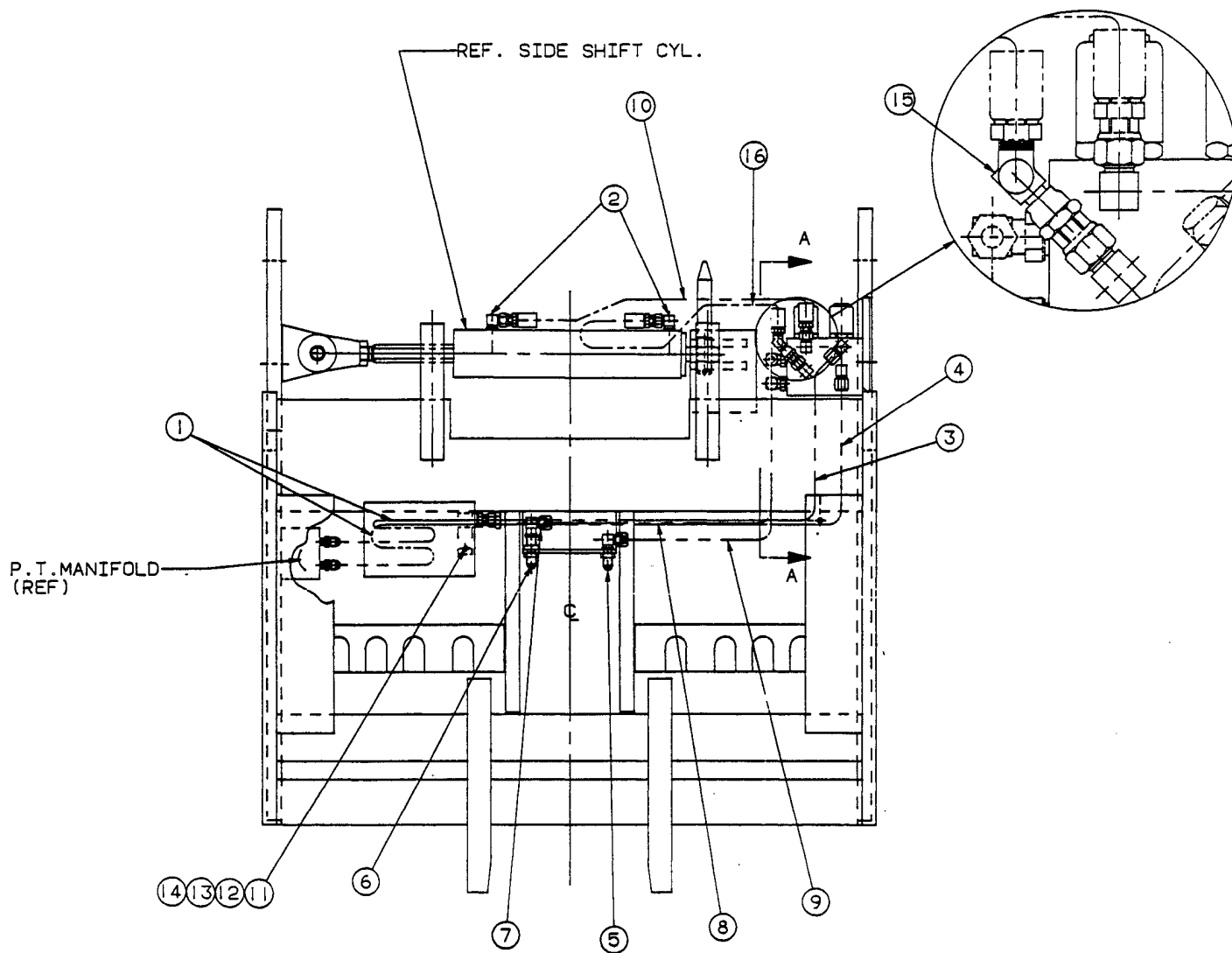
CARRIAGE ASSEMBLY
Figure 828-000-706 / (G)

THE RAYMOND CORPORATION

CYLINDER ASSEMBLY
Figure 540-056

Page 634.1

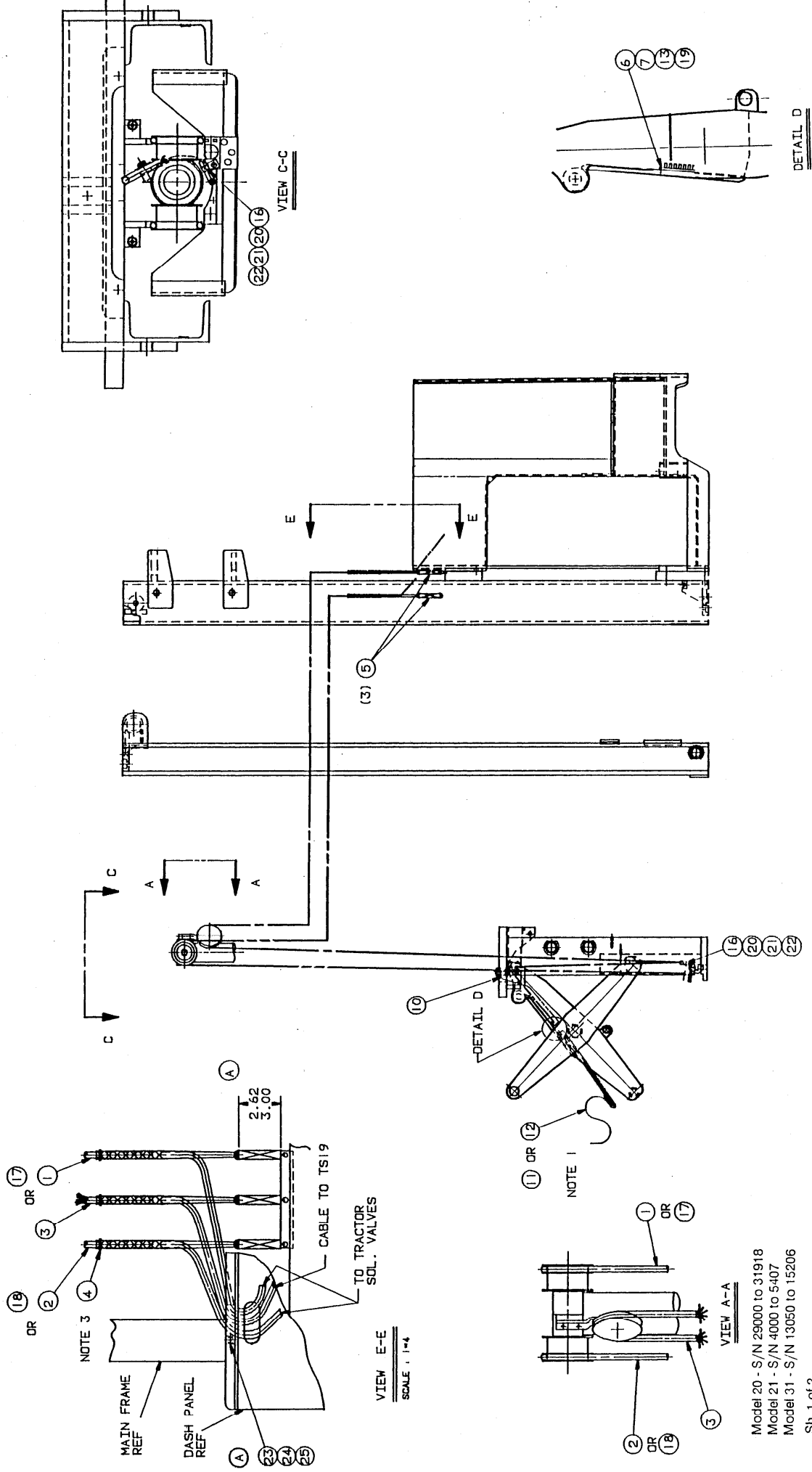
<u>Item No.</u>	<u>Qty.</u>	<u>Part Number</u>	<u>Description</u>
1	1	540-047/211	Lock Nut
2	1	540-056/01	Piston Assembly: includes
	1	540-044/01	Piston
	1	**	O-Ring
	2	**	Back-Up Ring
3	1	**	O-Ring
4	1	540-056/02	Tube Assembly
5	1	540-056/03	Rod
6	1	540-056/04	Head Assembly: includes
	1	540-056/05	Head-Bushing Assembly
	2	**	O-Rings
	2	**	Rod Wiper
7	1	**	Internal Lock Ring
8	1	540-044/07	Head Spacer
9	1	540-044/03	External Lock Ring
10	1	540-056/03	Seal Kit: includes ** items



SECTION A - A

Side Shift

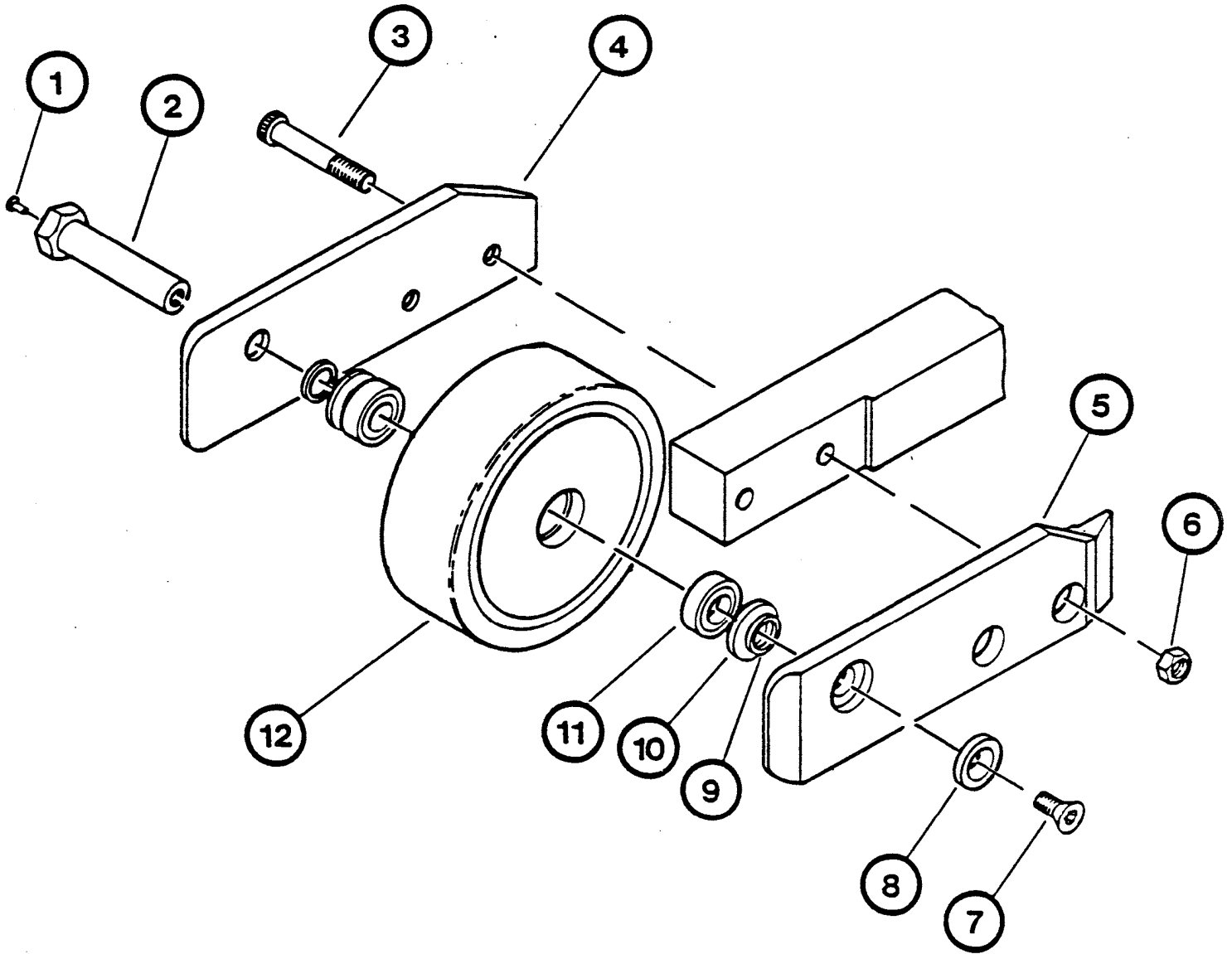
CARRIAGE PIPING
Figure 828-000-666 (E)



HOSE AND CABLE INSTALLATION
Figure 828-003-871 / thru 873 / (B)

Model 20 - S/N 29000 to 31918
Model 21 - S/N 4000 to 5407
Model 31 - S/N 13050 to 15206

Sh. 1 of 2
R30TN
R40TN



Model 20 - S/N 29000 to _____
Model 21 - S/N 4000 to _____
Model 31 - S/N 13050 to _____

LOAD WHEEL KIT
Figure 623-010-338/ (A)
Figure 623-010-343/ (A)

CLICK HERE TO **DOWNLOAD** THE COMPLETE MANUAL

- Thank you very much for reading the preview of the manual.
- You can download the complete manual from: www.heydownloads.com by clicking the link below



- Please note: If there is no response to CLICKING the link, please download this PDF first and then click on it.

CLICK HERE TO **DOWNLOAD** THE COMPLETE MANUAL