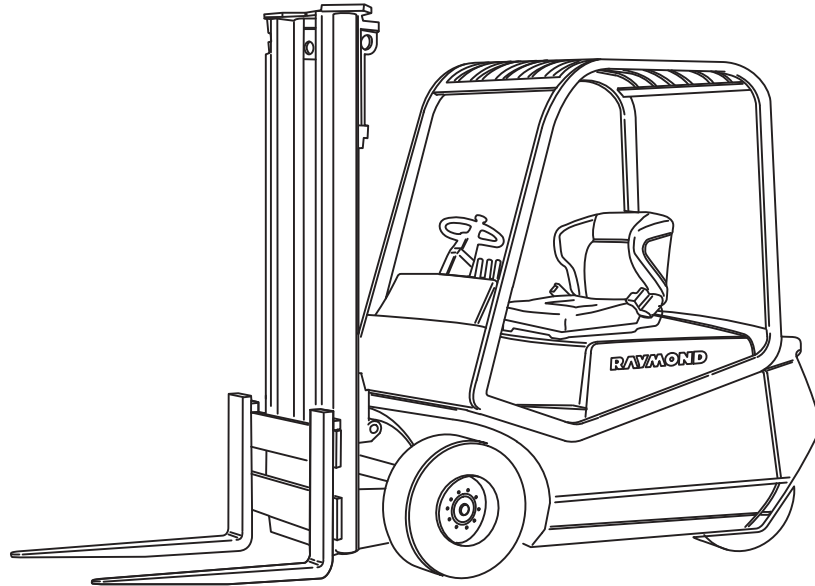


RAYMOND

Models - RTW30/35/40
3 Wheel, Sit Down
Counterbalanced Truck

Parts Catalog



1033358A
S/N 01001 and Up
Issued: 10/29/04
Replaces 1017503A
Issued: 2/6/04

CLICK HERE TO **DOWNLOAD** THE COMPLETE MANUAL

- Thank you very much for reading the preview of the manual.
- You can download the complete manual from: www.heydownloads.com by clicking the link below



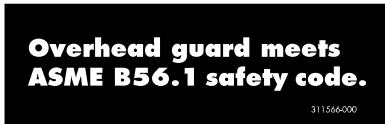
- Please note: If there is no response to CLICKING the link, please download this PDF first and then click on it.

CLICK HERE TO **DOWNLOAD** THE COMPLETE MANUAL

Hardware Parts List

Description	Part No.	Qty.	Description	Part No.	Qty.
Bolt, M12 x 45.....	21820.....	4	Screw.....	0100541CE.....	10
Bolt, Shoulder.....	90310SCE.....	3	Screw.....	0101003CE.....	2
Bolt.....	90427CE.....	2	Screw.....	0101010CE.....	6
Bracket, Hose Pulley.....	223-001-569/A71.....	2	Screw.....	0101023CE.....	2
Bumper.....	223-001-569/A12.....	2	Screw.....	0101026CE.....	2
Guide, Lower (98 in. OACH).....	223-001-569/D66.....	1	Screw.....	0101027CE.....	4
Nut, Lock.....	0015547CE.....	1	Screw.....	0101028CE.....	7
Nut, M8.....	311685-000.....	2	Screw.....	0101029CE.....	1
Nut.....	0060258CE.....	12	Screw.....	0101030CE.....	10
Nut.....	0110039CE.....	4	Screw.....	0101040CE.....	6
Nut.....	0110040CE.....	13	Screw.....	0101047CE.....	1
Nut.....	0110041CE.....	8	Screw.....	0101053CE.....	8
Nut.....	0110059CE.....	4	Screw.....	0101064CE.....	12
Nut.....	0110062CE.....	4	Screw.....	0101099CE.....	5
Nut.....	0110128CE.....	17	Screw.....	0101100CE.....	2
Nut.....	0110166CE.....	2	Screw.....	0101108CE.....	2
Nut.....	0110227CE.....	10	Screw.....	0101112CE.....	2
Nut.....	0110246CE.....	4	Screw.....	0101127CE.....	8
Nut.....	0110247CE.....	10	Screw.....	0101138CE.....	AR
Nut.....	0110288CE.....	8	Screw.....	0101144CE.....	2
Nut.....	0110300CE.....	4	Screw.....	0102020CE.....	2
Nut.....	0993544CE.....	1	Screw.....	0102023CE.....	2
Nut.....	1774010CE.....	14	Screw.....	0102026CE.....	4
Nut.....	1774023CE.....	2	Screw.....	0102034CE.....	2
Nut.....	20255.....	4	Screw.....	0102036CE.....	AR
Nut.....	223-001-569/A03.....	12	Screw.....	0102052CE.....	25
Nut.....	223-001-569/A04.....	12	Screw.....	0102054CE.....	6
Nut.....	223-001-569/A38.....	1	Screw.....	0103011CE.....	4
Nut.....	223-001-569/C25.....	2	Screw.....	0103023CE.....	2
Nut.....	223-001-569/D96.....	4	Screw.....	0103045CE.....	6
Nut.....	301960-006.....	4	Screw.....	0103055CE.....	2
Nut.....	302154-006.....	4	Screw.....	0105124CE.....	14
Nut.....	311685-000.....	10	Screw.....	0105125CE.....	1
Nut.....	90326SCE.....	1	Screw.....	0105126CE.....	1
Nut.....	5990034CE.....	1	Screw.....	0106001CE.....	2
Screw.....	0101144CE.....	4	Screw.....	0108002CE.....	4
Screw, Adjusting.....	12516SCE.....	2	Screw.....	0133008CE.....	1
Screw, Adjusting.....	1994037CE.....	4	Screw.....	0135143CE.....	4
Screw, Cap.....	223-001-569/A31.....	4	Screw.....	0135161CE.....	4
Screw, Cap.....	223-001-569/B75.....	4	Screw.....	0135196CE.....	3
Screw, Drain.....	0060322CE.....	2	Screw.....	0992158CE.....	10
Screw, Hollow.....	0016161CE.....	1	Screw.....	0993543CE.....	11
Screw, M12 x 35.....	301957-035.....	4	Screw.....	14911-04.....	3
Screw, Recliner.....	90300SCE.....	1	Screw.....	1603446CE.....	12
Screw, Stop.....	0070389CE.....	7	Screw.....	1864059CE.....	1
Screw, Stop.....	0070599CE.....	9	Screw.....	20224.....	4
Screw.....	0100023CE.....	1	Screw.....	21708.....	4
Screw.....	0100031CE.....	8	Screw.....	223-001-569/B09.....	2
Screw.....	0100085CE.....	8	Screw.....	223-001-569/B75.....	4
Screw.....	0100086CE.....	6	Screw.....	223-001-569/B85.....	1
Screw.....	0100114CE.....	4	Screw.....	223-001-569/B99.....	12
Screw.....	0100117CE.....	3	Screw.....	223-001-569/C13.....	1
Screw.....	0100120CE.....	4	Screw.....	223-001-569/C26.....	6
Screw.....	0100121CE.....	10	Screw.....	223-001-569/C28.....	1
Screw.....	0100122CE.....	6	Screw.....	223-001-569/C29.....	1
Screw.....	0100129CE.....	8	Screw.....	223-001-569/C31.....	4
Screw.....	0100149CE.....	1	Screw.....	223-001-569/C63.....	1
Screw.....	0100201CE.....	1	Screw.....	223-001-569/D39.....	20
Screw.....	0100208CE.....	8	Screw.....	223-001-569/E11.....	1
Screw.....	0100232CE.....	2	Screw.....	223-001-569/E19.....	4
Screw.....	0100244CE.....	6	Screw.....	301951-016.....	4
Screw.....	0100401CE.....	4	Screw.....	301951-025.....	2
Screw.....	0100409CE.....	4	Screw.....	307335-025.....	2
Screw.....	0100422CE.....	6	Screw.....	311707-016.....	2
Screw.....	0100462CE.....	3	Spring.....	1773801CE.....	1
Screw.....	0100501CE.....	4	Strap.....	223-001-569/C43.....	2

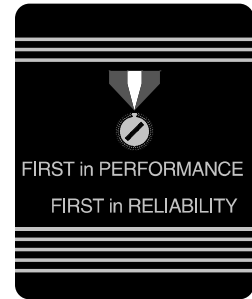
Finish Instructions



ITEM 1 - P/N 311566-000



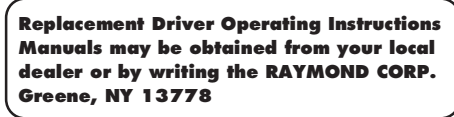
ITEM 6 - P/N 411-693



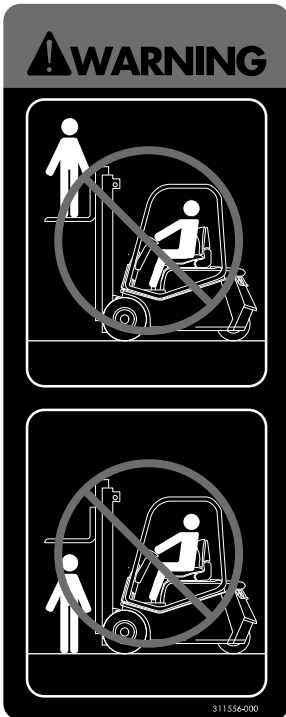
ITEM 5 - P/N 311557-000



ITEM 3 - P/N 311563-000



ITEM 7 - P/N 411-681



ITEM 13 - P/N 311559-000

		in.	mm	CAPACITY			CAPACITY		
				ELEV. HT. FT.	STANDARD	WITH SIDESHIFT	ELEV. HT. FT.	STANDARD	WITH SIDESHIFT
HORIZONTAL LOAD CENTER		A	24	600					
VERTICAL LOAD CENTER		B	24	600					
SIDESHIFT		C							

Model _____ Serial Number _____ Battery Volts/Nominal Width (in./mm) _____

Truck Weight (lb./kg) _____ Battery Weight (lb./kg) _____ Battery Max. Rated Capacity _____

With Maximum Battery _____ Maximum _____ (A.H.) _____

Without Battery _____ Minimum _____ Hour Rate _____ Attachment _____

6.0

HORIZONTAL MOTION OF BATTERY MUST NOT EXCEED 5/8 INCHES (12.7MM). ATTACH RESTRAINT TO BATTERY COMPARTMENT AS REQUIRED.

CEPITER-ALL LOADS ON MAST CENTERLINE
MANUFACTURED TO COMPLY WITH MANDATORY REQUIREMENTS OF ANSI B56.1-88 EFFECTIVE ON THE DATE OF MANUFACTURE FOR TYPE 'E' INDUSTRIAL TRUCKS WHEN EQUIPPED WITH TYPE 'LD' BATTERY. GIVE MODEL AND SERIAL NUMBER IN ALL CORRESPONDENCE. MADE IN ITALY - 02

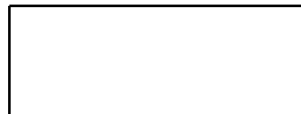
ITEM 40 - P/N Ref.



ITEM10 - P/N 411-511/019



ITEM 2 - P/N 411-587



ITEM 22 - P/N 411-534



ITEM 42 - P/N 1032136/001

Model RTW30/35/40 - 3 Wheel Sit Down Counterbalanced Truck - Finish and Accessories

Frame and Covers with Slide-Out Battery, S/N 02000 and Up

FIGURE 2-4 ITEM NO.	QTY	PART NUMBER	DESCRIPTION	USED ON
1	1	4774440R2CE	Guard, Overhead	A
	1	4774496R2CE	Guard, Overhead	B
	1	4774502R2CE	Guard, Overhead	C
3	1	1773801CE	Spring	
5	1	1773736CE	Bar, Retainer	
6	1	1773715CE	Washer	
7	1	1773716CE	Washer	
8	4	0100129CE	Screw	
9	4	0120047CE	Washer	
10	8	0120238CE	Washer	
11	2	0110059CE	Nut	
12	2	1773187CE	Bracket	
13	2	1773746CE	Bracket	
14	1	1863078CE	Hinge, Right	
15	1	1863079CE	Hinge, Left	
16	1	1773533CE	Grommet	
17	1	2772105CE	Latch, Complete	
18	1	1773541CE	Spring	
19	1	1777151CE	Harness, Deadman Device	
20	2	0135143CE	Screw	
21	1	0023368CE	Handle	
22	1	1773532CE	Cover, Vent	
23	1	3774214R2CE	Cover	A
	1	3774224R2CE	Cover	B
	1	3774210R2CE	Cover	C
24	1	1773742CE	Spring, Gas	A
	2	1773727CE	Spring, Gas	B, C
25	1	1773247R2CE	Housing	
26	4	0070599CE	Screw, Stop	
27	4	0120132CE	Washer	
28	4	0105124CE	Screw	
29	1	1773439CE	Fender, Right	
30	1	1773440CE	Fender, Left (Not Shown)	
31	1	1773077CE	Cover	
32	1	2772057CE	Striker	
33	1	311288-002	Spacer (30 mm)	A, B
	1	311288-005	Spacer (87 mm)	C
	1	311291-001	Spacer (6 mm)	C
34	1	311288-001	Spacer (25 mm)	A, C
	1	311288-003	Spacer (57 mm)	A
	1	311288-000	Spacer (20 mm)	B
	1	311288-004	Spacer (63 mm)	B

A= RTW 30
B= RTW 35
C= RTW 40

List 2-4: Frame and Covers with Slide-Out Battery, S/N 02000 and Up (Sheet 1 of 2)

SECTION 3 Steering and Controls

Steering Column	3-2
Steering Axle.....	3-4
Forward/Reverse Direction Handle	3-6
Speed Pedal.....	3-8
Steer Wheels.....	3-10

Model RTW30/35/40 - 3 Wheel Sit Down Counterbalanced Truck - Steering and Controls

Steer Wheels

FIGURE 3-5 ITEM NO.	QTY	PART NUMBER	DESCRIPTION	USED ON
			CUSHION	
1	1	2776060CE	Wheel (includes:)	
2	1	1776111CE	Rim	
3	1	0091071CE	Tire, Cushion	R
	1	0091086CE	Tire, Cushion, Non-Marking	
			SUPER ELASTIC	
4	1	2776042CE	Wheel (includes:)	
5	1	1776098CE	Rim	
6	1	0090548CE	Tire, Super Elastic	
	1	0090552CE	Tire, Super Elastic, Non-Marking	

R= Recommended Spare

List 3-5: Steer Wheels

Model RTW30/35/40 - 3 Wheel Sit Down Counterbalanced Truck - Drive and Brake

Parking Brake

FIGURE 4-4 ITEM NO.	QTY	PART NUMBER	DESCRIPTION	USED ON
1	1	1631619CE	Spring	R
2	2	0101023CE	Screw	
3	3	0110040CE	Nut	
4	1	0100023CE	Screw	
5	1	0101047CE	Screw	
6	1	1779007CE	Support	
7	4	0120107CE	Washer	
8	2	2776014CE	Cable	R
9	2	1776063CE	End	
10	1	1776114CE	Lever	
11	1	0110128CE	Nut	
12	1	1773070CE	Pin	
13	2	0100120CE	Screw	
14	2	0120045CE	Washer, Lock	
15	2	0120108CE	Washer	
16	1	0023277CE	Cover, Pedal	
17	1	3776050CE	Brake, Master Cylinder, Complete	
18	1	1773296CE	Spring	R
19	2	0070661CE	Bushing	R
20	1	1773318CE	Spring	R
21	1	1773438CE	Cable	R
22	1	0135238CE	Terminal	R
23	1	0131002CE	Pin, Split	
24	1	0070878CE	Pin	
25	1	1933160CE	Gear, Ratchet	
26	1	1777155CE	Switch, Micro	R
27	1	0135017CE	Pin	
28	1	2772084CE	Pedal	

R= Recommended Spare

List 4-4: Parking Brake

FIGURE 5-3 ITEM NO.	QTY	PART NUMBER	DESCRIPTION	USED ON
1	4	0110040CE	Nut	
2	1	1773545CE	Handle	
3	4	0102026CE	Screw	
4	2	0052361CE	Connector (36 Volt)	R
	2	0052366CE	Connector (48 Volt)	
5	2	0120044CE	Washer, Lock	
6	2	0054893CE	Fuse Board	
7	1	1777181CE	Contact Bar	
8	1	0054892CE	Fuse	
9	1	0054891CE	Fuse	
10	1	1777193CE	Harness	
11	1	0054905CE	Fuse	
12	2	0054904CE	Fuse Board	
13	2	0102023CE	Screw	
14	1	1773506CE	Plate	
15	1	0020019CE	Bar, Spacing	
16	1	2773025CE	Circuit, Printed	
17	1	0054908CE	Fuse (315 mA)	
18	1	0054909CE	Fuse (400 mA)	
19	2	0054910CE	Fuse (1 A)	
20	5	0054911CE	Fuse (5 A)	
21	2	0054912CE	Fuse (6.3 A)	

R= Recommended Spare

List 5-3: Miscellaneous Electrical

Model RTW30/35/40 - 3 Wheel Sit Down Counterbalanced Truck - Hydraulic Components

Hydraulic Steering System

FIGURE 6-2 ITEM NO.	QTY	PART NUMBER	DESCRIPTION	USED ON
1	1	0060323CE	Connection	
2	1	1775071CE	Pipe	
3	1	1775025CE	Pipe	
4	1	1773270CE	Pipe	
5	7	0060314CE	Connection	
6	1	0063081CE	Valve	
7	1	0060317CE	Connection	
8	1	0061879CE	Pipe	A
	1	0061880CE	Pipe	B
	1	0061881CE	Pipe	C
	1	0066411CE	Pipe	A, D
	1	0066415CE	Pipe	B, D
	1	0066419CE	Pipe	C, D
9	2	0060382CE	Nipple	
10	1	1773272CE	Pipe	
11	1	0061875CE	Pipe	A
	1	0061876CE	Pipe	B
	1	0061878CE	Pipe	C
	1	0066410CE	Pipe	A, D
	1	0066414CE	Pipe	B, D
	1	0066418CE	Pipe	C, D
12	1	1773273CE	Pipe	
13	4	0060278CE	Reducer	
14	1	0060316CE	Connection	

A= RTW 30
 B= RTW 35
 C= RTW 40
 D= 4th and 5th Function

List 6-2: Hydraulic Steering System

Model RTW30/35/40 - 3 Wheel Sit Down Counterbalanced Truck - Hydraulic Components

Lift Cylinder, Center and Side (TF) (S/N 1001 - 1349)

FIGURE 6-7 ITEM NO.	QTY	PART NUMBER	DESCRIPTION	USED ON
			Cylinder Assembly, Lift, Side	
	2	4868052CE	Cylinder Assembly, Lift, Side	A
	2	4868103CE	Cylinder Assembly, Lift, Side	B
	2	4868104CE	Cylinder Assembly, Lift, Side	C
1	1	0063009CE	Valve	
2	1	1864182CE	Bottom	
3	1	1864183CE	Nut, Ring	
4	1	2998151CE	Gaskets Set	
			Cylinder Assembly, Lift, Center	
	2	4868021CE	Cylinder Assembly, Lift, Center	A
	2	4868098CE	Cylinder Assembly, Lift, Center	B
	2	4868066CE	Cylinder Assembly, Lift, Center	C
5	1	0063009CE	Valve	
6	1	1864013CE	Nut, Ring	
7	1	1864012CE	Bottom	
8	1	1864059CE	Screw	
9	1	2998155CE	Gaskets Set	

A= 2090 mm, 82 in. OACH
 B= 2190 mm, 86 in. OACH
 C= 2390 mm, 94 in. OACH

List 6-7: Lift Cylinder, Center and Side (TF) (S/N 1001 - 1349)

CLICK HERE TO **DOWNLOAD** THE COMPLETE MANUAL

- Thank you very much for reading the preview of the manual.
- You can download the complete manual from: www.heydownloads.com by clicking the link below



- Please note: If there is no response to CLICKING the link, please download this PDF first and then click on it.

CLICK HERE TO **DOWNLOAD** THE COMPLETE MANUAL

Model RTW30/35/40 - 3 Wheel Sit Down Counterbalanced Truck - Hydraulic Components

Main Lift Cylinder, Right-Hand (Quad Mast)

FIGURE 6-11 ITEM NO.	QTY	PART NUMBER	DESCRIPTION	USED ON
	1	223-001-569/F13	Cylinder, Main Lift, Right-Hand (77 in. OACH)	
	1	223-001-569/F14	Cylinder, Main Lift, Right-Hand (83 in. OACH)	
	1	223-001-569/F15	Cylinder, Main Lift, Right-Hand (89 in. OACH)	
	1	223-001-569/F16	Cylinder, Main Lift, Right-Hand (93 in. OACH)	
	1	223-001-569/F17	Cylinder, Main Lift, Right-Hand (95 in. OACH)	
1	1	NSS	Seal, Piston	A
2	1	NSS	Seal, Rod	A
3	1	NSS	Wiper	A
4	1	NSS	O-Ring	A
5	1	NSS	O-Ring	A
6	1	NSS	O-Ring	A
7	1	NSS	Ring, Wear	A
8	1	223-001-569/F18	Kit, Seal (Not Shown)	
9	1	N/A	Ring, Retaining	
10	1	N/A	Plug (Not Shown)	
11	1	N/A	Tube, Hydraulic	
12	1	N/A	Tube Assembly	
13	1	N/A	Rod	
14	1	N/A	Rod End	
15	1	N/A	Piston	
16	1	223-001-569/F19	Retainer	
17	1	N/A	Plug	
18	1	N/A	Spacer	
19	1	N/A	Fitting	
20	1	223-001-569/C57	Valve, Flow Control	

A= Included in Item 8
 NSS= Not Sold Separately
 N/A= Not Available

List 6-11: Main Lift Cylinder, Right-Hand (Quad Mast)

Model RTW30/35/40 - 3 Wheel Sit Down Counterbalanced Truck - Mast

Mast (TF) (S/N 1350 and Up)

FIGURE 7-2 ITEM NO.	QTY	PART NUMBER	DESCRIPTION	USED ON
1	4	1994037CE	Dowel	
2	2	2774045CE	Roller	
3	2	0134029CE	Ring, Snap	
4	4	2934004CE	Shoe, Guide	
5	2	2914028CE	Bearing, Roller	
6	2	0134036CE	Ring, Snap	
7	2	0135181CE	Fitting, Grease	
8	5	0013898CE	Fitting, Grease	
9	4	0101127CE	Screw	
10	4	0110288CE	Nut	
11	2	1774024CE	Collar	
12	2	0134016CE	Ring, Snap	
13	2	1824044CE	Anchor, Chain	
14	2	1994033CE	Pin	
15	2	0131002CE	Pin	
16	2	0131031CE	Pin	
17	AR	0070017CE	Chain	A
18	2	1774010CE	Nut	
19	2	2774075CE	Pulley	
20	2	1774085CE	Support	
22	2	1774086CE	Plate	
23	2	0110246CE	Nut	
24	2	0100401CE	Screw	
25	2	0101040CE	Screw	
26	4	0100208CE	Screw	
27	4	0120120CE	Washer, Lock	
28	2	1774076CE	Collar	
29	2	0100086CE	Screw	
30	4	1021757CE	Washer	
31	2	0120122CE	Washer, Lock	
32	2	1934135CE	Washer	
33	2	1774023CE	Nut	
34	2	0100244CE	Screw	
35	2	1774020CE	Fastener	
36	2	0070188CE	Joint, Ball	
37	4	0120121CE	Washer, Lock	
38	4	0101053CE	Screw	
39	2	0134031CE	Ring, Snap	
40	1	1774034CE	Guard, Screen (4.84 in. x 23.74 in.)	
41	1	1774110CE	Guard, Screen (25.98 in x 43.22 in)	
42	1	1774111CE	Guard, Screen (25.98 in x 47.95 in)	
43	AR	0101138CE	Screw	
44	AR	0120119CE	Washer, Lock	
45	AR	1724136CE	Plate	

A= Contact Technical Support

List 7-2: Mast (TF) (S/N 1350 and Up)

RAYMOND

Model RTW30/35/40 - 3 Wheel Sit Down Counterbalanced Truck - Mast

Fork Carriage and Sideshift Carriage (TF) (S/N 1001-1349)

FIGURE 7-9 ITEM NO.	QTY	PART NUMBER	DESCRIPTION	USED ON
	1	4864100CE	Carriage, Fork, Complete	
	1	4864099CE	Carriage, Sideshift, Complete	
1	2	1604235CE	Stop, Fork	
2	2	0102034CE	Screw	
3	4	1994037CE	Screw, Adjusting	R
4	4	1994017CE	Bearing, Roller	R
5	4	1994019CE	Shoe, Guide	R
6	4	0013898CE	Fitting, Grease	
7	4	1994045CE	Pin	
8	2	1864064CE	Disc (Not Shown)	
9	2	0134033CE	Ring, Snap	
10	2	1994033CE	Pin	R
11	2	1994022CE	Anchor, Chain	R
15	4	1603506 CE	Bushing	
16	2	1994025 CE	Hose	
17	2	0060361CE	Connector, Hydraulic	
18	2	1623289CE	Shoe, Guide	R
19	2	0060236CE	Connector, Hydraulic	
20	AR	1603449CE	Shim	
21	2	1603450CE	Shoe, Guide	R
22	2	1603507CE	Plate	
23	4	1603446CE	Screw	
24	AR	1603447CE	Shim	
25	4	1603505CE	Rod	
26	12	0102052CE	Screw	
27	2	1603448CE	Pad	R
34	AR	0070017CE	Chain	A
35	1	2998141CE	Kit, Seal	R

A= Contact Technical Support
R= Recommended Spare

List 7-9: Fork Carriage and Sideshift Carriage (TF) (S/N 1001-1349)

Model RTW30/35/40 - 3 Wheel Sit Down Counterbalanced Truck - Mast

Forks, Standard and Chisel (1.75 in. x 4 in.)

FIGURE 7-12 ITEM NO.	QTY	PART NUMBER	DESCRIPTION	USED ON
1	2	223-001-626/030	Fork Weldment (30 in.)	A
	2	223-001-626/036	Fork Weldment (36 in.)	A
	2	223-001-626/042	Fork Weldment (42 in.)	A
	2	223-001-626/046	Fork Weldment (46 in.)	A
	2	223-001-626/039	Fork Weldment (48 in.)	A
2	2	223-001-627/030	Fork Weldment (30 in.)	B
	2	223-001-627/036	Fork Weldment (36 in.)	B
	2	223-001-627/042	Fork Weldment (42 in.)	B
	2	223-001-627/046	Fork Weldment (46 in.)	B
	2	223-001-627/048	Fork Weldment (48 in.)	B

A= Forks, Standard (1.75 in. x 4 in.)

B= Forks Chisel (1.75 in. x 4 in.)

List 7-12: Forks, Standard and Chisel (1.75 in. x 4 in.)

Model RTW30/35/40 - 3 Wheel Sit Down Counterbalanced Truck - Mast

Load Backrest, Quad Mast

FIGURE 7-17 ITEM NO.	QTY	PART NUMBER	DESCRIPTION	USED ON
1	1	223-001-569/C04	Backrest (31 in. X 36 in.)	
	1	223-001-569/C05	Backrest (31 in. X 48 in.)	
	1	223-001-569/C06	Backrest (31 in. X 60 in.)	
	1	223-001-569/C07	Backrest (37 in. X 36 in.)	
	1	223-001-569/C08	Backrest (37 in. X 48 in.)	
	1	223-001-569/C09	Backrest (37 in. X 60 in.)	
2	4	223-001-569/E19	Screw	
3	4	223-001-569/B98	Washer, Lock	

List 7-17: Load Backrest, Quad Mast

Model RTW30/35/40 - 3 Wheel Sit Down Counterbalanced Truck - Mast

Internal Hose Reeving Group, Double, Quad Mast Only

FIGURE 7-20 ITEM NO.	QTY	PART NUMBER	DESCRIPTION	USED ON
1	4	223-001-569/D53	Clamp, Hose	
2	8	223-001-569/D32	Clamp, Hose	
3	1	223-001-569/D60	Bar, Hose Clamp	
4	4	223-001-569/D51	Bar, Hose Clamp	
5	1	223-001-569/A73	Bracket, Formed	
6	4	223-001-569/B12	Union, Bulkhead	
7	1	223-001-569/C43	Strap	
8	6	223-001-569/B99	Screw	
9	1	223-001-569/C13	Screw	
10	3	223-001-569/C26	Screw	
11	10	223-001-569/D39	Screw	
12	1	223-001-569/D38	Screw	
13	1	223-001-569/A72	Guide, Bar	
14	1	223-001-569/A89	Guide, Upper (77 in. OACH)	
	1	223-001-569/A89	Guide, Upper (83 in. OACH)	
	1	223-001-569/D61	Guide, Upper (89 in. OACH)	
	1	223-001-569/D70	Guide, Upper (93 in. OACH)	
	1	223-001-569/D79	Guide, Upper (98 in. OACH)	
15	2	223-001-569/A77	Guard, Hose	
17	7	223-001-569/B81	Washer, Lock	
18	1	223-001-569/B86	Washer, Lock	
19	1	223-001-569/A69	Guide, Lower (77 in. OACH)	
	1	223-001-569/A69	Guide, Lower (83 in. OACH)	
	1	223-001-569/D68	Guide, Lower (89 in. OACH)	
	1	223-001-569/D67	Guide, Lower (93 in. OACH)	
	1	223-001-569/D66	Guide, Lower (98 in. OACH)	
20	2	223-001-569/D96	Nut	
21	1	223-001-569/C25	Nut	
22	1	223-001-569/A38	Nut	
23	1	223-001-569/A85	Plate	
24	1	223-001-569/B02	Bumper	
25	1	223-001-569/D69	Bar, Retainer	
26	5	223-001-569/A83	Sheave	
28	2	223-001-569/A75	Sheave	
29	5	223-001-569/C21	Ring, Snap	
30	2	223-001-569/A40	Shaft, Stub	
32	1	223-001-569/A71	Bracket, Hose Pulley	
33	3	223-001-569/A26	Washer	
34	3	223-001-569/A34	Washer	
35	1	223-001-569/D77	Washer	
36	2	223-001-569/D65	Hose Assembly, Mast (77 in. OACH) (Not Shown)	
	2	223-001-569/B07	Hose Assembly, Mast (83 in. OACH) (Not Shown)	
	2	223-001-569/C39	Hose Assembly, Mast (89 in. OACH) (Not Shown)	
	2	223-001-569/C40	Hose Assembly, Mast (93 in. OACH) (Not Shown)	
	2	223-001-569/D64	Hose Assembly, Mast (98 in. OACH) (Not Shown)	

List 7-20: Internal Hose Reeving Group, Double, Quad Mast Only (Sheet 1 of 2)

Model RTW30/35/40 - 3 Wheel Sit Down Counterbalanced Truck - Options/Kits

Load Backrest

FIGURE 8-4 ITEM NO.	QTY	PART NUMBER	DESCRIPTION	USED ON
		939-BRK/030	Kit, Load Backrest (30 in.) (includes:)	
		939-BRK/036	Kit, Load Backrest (36 in.) (includes:)	
		939-BRK/042	Kit, Load Backrest (42 in.) (includes:)	
		939-BRK/048	Kit, Load Backrest (48 in.) (includes:)	
		939-BRK/054	Kit, Load Backrest (54 in.) (includes:)	
1	1	311284-000	Backrest, Load (30 in.)	
	1	311284-001	Backrest, Load (36 in.)	
	1	311284-002	Backrest, Load (42 in.)	
	1	311284-003	Backrest, Load (48 in.)	
	1	311284-004	Backrest, Load (54 in.)	
2	4	21820	Bolt, M12 x 45	
3	4	301957-035	Screw, M12 x 35	
4	4	50000-15	Washer, Flat	
5	1	411-587/004	Decal, No Riding (Not Shown)	

Note: For Quad Mast, See Figure 7-17

List 8-4: Load Backrest

Model RTW30/35/40 - 3 Wheel Sit Down Counterbalanced Truck - Options/Kits

Warning Lights

FIGURE 8-11 ITEM NO.	QTY	PART NUMBER	DESCRIPTION	USED ON
		311765-000	Kit, Warning Lights	A
		311765-001	Kit, Warning Lights	B
		311765-002	Kit, Warning Lights	C
1	1	591-582	Guard, Light	
2	1	591-569/007	Light, Strobe	A
	1	591-569/006	Light, Strobe	B
	1	591-569/008	Light, Strobe	C
3	3	14911-04	Screw	

A= Amber
B= Red
C= Blue

List 8-11: Warning Lights

APPENDIX A Alphabetical Parts Index

Description	Part No.	Page	Description	Part No.	Page
Adapter	25109-02	8-20	Bearing, Thrust	1773358CE	3-5
Adjuster, Lock, Fore/Aft	15378SCE	2-24	Bearing	0014171CE	3-5
Adjuster, Slave, Fore/Aft	92101SCE	2-24	Bearing	0016361CE	5-9
Alarm	590-628/002	8-15	Bearing	0016710CE	3-5
Anchor, Chain	1774089CE	7-11	Bearing	0018896CE	3-5
Anchor, Chain	1824044CE	7-12	Bearing	0080019CE	3-5
Anchor, Chain	1824044CE	7-31	Bearing	0992091CE	5-9
Anchor, Chain	1824044CE	7-32	Bearing	0992091CE	6-11
Anchor, Chain	1824044CE	7-35	Bearing	0992092CE	6-11
Anchor, Chain	1824044CE	7-7	Bearing	0992812CE	4-3
Anchor, Chain	1994022CE	7-27	Bearing	0992812CE	4-5
Anchor, Chain	1994022CE	7-3	Bearing	0993535CE	4-3
Anchor, Chain	223-001-569/A11	7-43	Bearing	0993535CE	4-5
Anchor, Chain	223-001-569/B76	7-43	Bearing	0993537CE	4-3
Anchor, Chain	223-001-569/B76	7-49	Bearing	0993865CE	4-3
Anchor, Chain	223-001-569/B77	7-43	Bearing	S990030CE	4-5
Arm, Spring	90311SCE	2-23	Bellows	1933157CE	6-13
Axle, Steering	3776042CE	3-5	Bellows	1933157CE	6-15
Back Cushion (Cloth)	15252SCE	2-23	Belt, Seat Assembly	90619CE	2-24
Back Cushion (Vinyl)	15383SCE	2-23	Bezel	1773534CE	2-15
Backrest (31 in. X 36 in.)	223-001-569/C04	7-47	Block, Fuse	850-136-863	8-11
Backrest (31 in. X 48 in.)	223-001-569/C05	7-47	Block	0070530CE	4-7
Backrest (31 in. X 60 in.)	223-001-569/C06	7-47	Board, Main Equipment	2772092R2CE	2-27
Backrest (37 in. X 36 in.)	223-001-569/C07	7-47	Body, Valve	223-001-569/D58	7-45
Backrest (37 in. X 48 in.)	223-001-569/C08	7-47	Bolt, M12 x 45	21820	8-9
Backrest (37 in. X 60 in.)	223-001-569/C09	7-47	Bolt, Shoulder	90310SCE	2-23
Backrest, Load (30 in.)	311284-000	8-9	Bolt	90427CE	2-24
Backrest, Load (36 in.)	311284-001	8-9	Bottom	1775103CE	6-21
Backrest, Load (42 in.)	311284-002	8-9	Bottom	1775103CE	6-23
Backrest, Load (48 in.)	311284-003	8-9	Bottom	1775105CE	6-23
Backrest, Load (54 in.)	311284-004	8-9	Bottom	1775238CE	6-21
Ball	0135079CE	3-7	Bottom	1864012CE	6-17
Band	223-001-569/A50	7-43	Bottom	1864182CE	6-17
Bar, Hose Clamp	223-001-569/D51	7-53	Bracket, Anchor	0038807CE	8-27
Bar, Hose Clamp	223-001-569/D51	7-57	Bracket, Carriage	223-001-569/A41	7-53
Bar, Hose Clamp	223-001-569/D60	7-53	Bracket, Clamp	0038830CE	8-24
Bar, Hose Clamp	223-001-569/D60	7-57	Bracket, Clamp	0038830CE	8-27
Bar, Retainer	1773736CE	2-19	Bracket, Decal Mount	311706-000	2-11
Bar, Retainer	223-001-569/D69	7-53	Bracket, Formed	223-001-569/A73	7-57
Bar, Retainer	223-001-569/D69	7-57	Bracket, Hose Pulley	223-001-569/A71	7-53
Bar, Spacing	0020019CE	5-7	Bracket, Hose Pulley	223-001-569/A71	7-57
Bar, Stop	223-001-569/A16	7-43	Bracket, Left-Hand	311692-001	8-17
Bar, Weight Adjusting	90322SCE	2-23	Bracket, Mirror Mount	312000-000	8-13
Battery Base	1773521CE	2-16	Bracket, Pulley	1915108CE	8-23
Battery Base	1773522CE	2-16	Bracket, Pulley	1915108CE	8-27
Battery Blockage	2772102CE	2-16	Bracket, Right-Hand	311692-000	8-17
Battery Blockage	2772102CE	2-20	Bracket, Work Light	311695-000	8-17
Bearing, Roller	1994016CE	7-3	Bracket	1773139CE	2-27
Bearing, Roller	1994017CE	7-27	Bracket	1773187CE	2-15
Bearing, Roller	1994017CE	7-3	Bracket	1773187CE	2-19
Bearing, Roller	1994038CE	7-35	Bracket	1773276CE	2-27
Bearing, Roller	2774045CE	7-11	Bracket	1773547CE	2-27
Bearing, Roller	2914028CE	7-11	Bracket	1773746CE	2-19
Bearing, Roller	2914028CE	7-31	Bracket	1776018CE	2-27
Bearing, Roller	2914028CE	7-35	Bracket	1776104CE	3-9
Bearing, Roller	2914028CE	7-7	Bracket	1776104CE	8-3
Bearing, Spring Arm	90306SCE	2-23	Bracket	1864185CE	7-15

Model RTW30/35/40 - 3 Wheel Sit Down Counterbalanced Truck - Alphabetical Parts Index

Description	Part No.	Page	Description	Part No.	Page
Plug (Green)	1775011CE	6-15	Ring, Snap	0134024CE	7-21
Plug (Red)	1775012CE	6-13	Ring, Snap	0134029CE	7-11
Plug (Red)	1775012CE	6-15	Ring, Snap	0134029CE	7-3
Plug (Yellow)	1775010CE	6-13	Ring, Snap	0134029CE	7-7
Plug (Yellow)	1775010CE	6-15	Ring, Snap	0134031CE	7-12
Plug, Panel	311672-000	2-12	Ring, Snap	0134031CE	7-25
Plug, Rubber	0053215CE	6-15	Ring, Snap	0134031CE	7-3
Plug, Rubber	0053215CE	8-5	Ring, Snap	0134031CE	7-7
Plug, Wear	223-001-569/A54	7-43	Ring, Snap	0134033CE	7-27
Plug, Wear	223-001-569/A81	7-43	Ring, Snap	0134033CE	7-3
Plug	0023376CE	7-11	Ring, Snap	0134036CE	7-11
Plug	0992162CE	4-3	Ring, Snap	0134036CE	7-31
Plug	0992162CE	4-5	Ring, Snap	0134036CE	7-35
Plug	1773527CE	3-3	Ring, Snap	0134036CE	7-7
Plug	1773546CE	2-27	Ring, Snap	0134132CE	3-3
Plug	223-001-569/F07	6-25	Ring, Snap	0134135CE	6-23
Plug	N/A	6-25	Ring, Snap	0992156CE	4-3
Plug	N/A	6-27	Ring, Snap	223-001-569/B15	6-25
Plug	N/A	6-29	Ring, Snap	223-001-569/B15	7-44
Potentiometer	1777158CE	3-9	Ring, Snap	223-001-569/B16	7-44
Potentiometer	1777174CE	3-5	Ring, Snap	223-001-569/C21	6-29
Potentiometer	2773029CE	6-13	Ring, Snap	223-001-569/C21	7-44
Potentiometer	2773029CE	6-15	Ring, Snap	223-001-569/C21	7-53
Potentiometer	Ref.	8-3	Ring, Snap	223-001-569/C21	7-57
Protection	1775075CE	5-5	Ring, Wear	NSS	6-25
Pulley	1775109CE	7-21	Ring, Wear	NSS	6-27
Pulley	1775111CE	8-23	Ring	NSS	6-29
Pulley	1775111CE	8-27	Ring	0134031CE	8-27
Pulley	1864086CE	7-16	Ring	1726097CE	3-5
Pulley	1864086CE	7-3	Ring	1864053CE	7-3
Pulley	1994049CE	7-3	Ring	1864087CE	7-16
Pulley	1995046CE	7-15	Ring	1864087CE	7-3
Pulley	1995046CE	7-3	Rivet	311730-000	2-11
Pulley	2774075CE	7-11	Rod End	N/A	6-27
Pulley	2774075CE	7-7	Rod End	N/A	6-29
Pump	0064423CE	4-7	Rod, Piston	N/A	6-25
Pump	0094085CE	6-11	Rod, Push	1776097CE	4-7
Reducer	0060278CE	6-7	Rod	1603505CE	7-27
Reducer	0060415CE	6-3	Rod	1603505CE	7-31
Remote, Control Reverser	0051050CE	5-3	Rod	1603505CE	7-35
Remote, Control Reverser	0051069CE	5-3	Rod	1773278CE	6-13
Reservoir, Container With Sensor	0070210CE	4-7	Rod	1773278CE	6-15
Retainer	223-001-569/A14	7-43	Rod	N/A	6-27
Retainer	223-001-569/F06	6-25	Rod	N/A	6-29
Retainer	223-001-569/F19	6-27	Roller Assembly	223-001-569/B66	7-43
Retainer	223-001-569/F19	6-29	Roller Assembly	223-001-569/E10	7-43
Rim, Hub	1776011CE	4-11	Roller Shim	223-001-569/B59	7-43
Rim, Hub	1776012CE	4-11	Roller, Thrust	223-001-569/B84	7-44
Rim, Hub	1776013CE	4-11	Roller, Thrust	223-001-569/B84	7-49
Rim	1776098CE	3-11	Roller, Undersized	223-001-569/C67	7-49
Rim	1776111CE	3-11	Roller	223-001-569/B66	7-49
Ring Assembly, Brush	0993593CE	5-9	Roller	2774045CE	7-7
Ring Assembly, Brush	0993593CE	6-11	Rotor	0992236CE	5-9
Ring Assembly, Brush	0993838CE	6-11	Rotor	0993185CE	6-11
Ring, Backup	NSS	6-25	Rotor	0993840CE	6-11
Ring, Retaining	N/A	6-27	Rubber (500 mm)	1773514CE	2-16
Ring, Retaining	N/A	6-29	Rubber (600 mm)	1773515CE	2-16
Ring, Snap	0134016CE	7-11	Rubber (700 mm)	1773516CE	2-16
Ring, Snap	0134016CE	7-7	Rubber	0064492CE	5-3
			Rug	1773524CE	2-27
			Rug	1773704CE	2-27

CLICK HERE TO **DOWNLOAD** THE COMPLETE MANUAL

- Thank you very much for reading the preview of the manual.
- You can download the complete manual from: www.heydownloads.com by clicking the link below



- Please note: If there is no response to CLICKING the link, please download this PDF first and then click on it.

CLICK HERE TO **DOWNLOAD** THE COMPLETE MANUAL