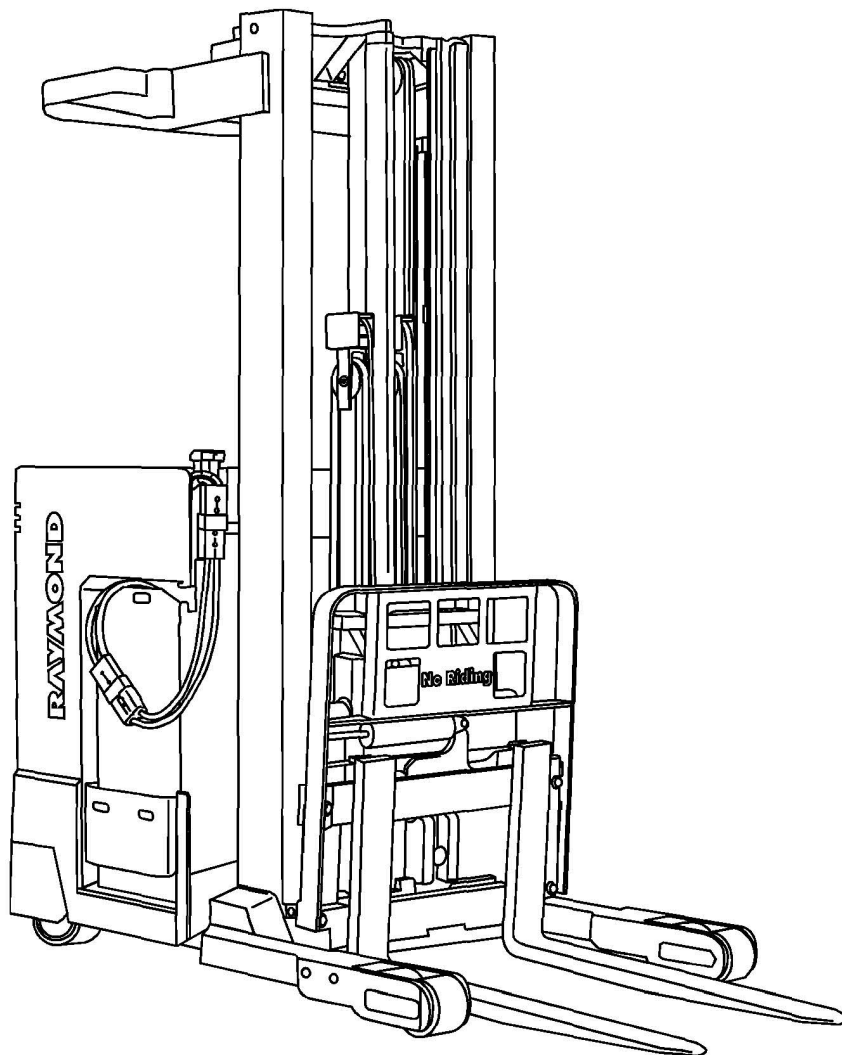


RAYMOND

Model - Easi™ Reach Mast

Parts Catalog



**PDPM - 0012
S/N 00001 and Up
Issued 6/1/95**

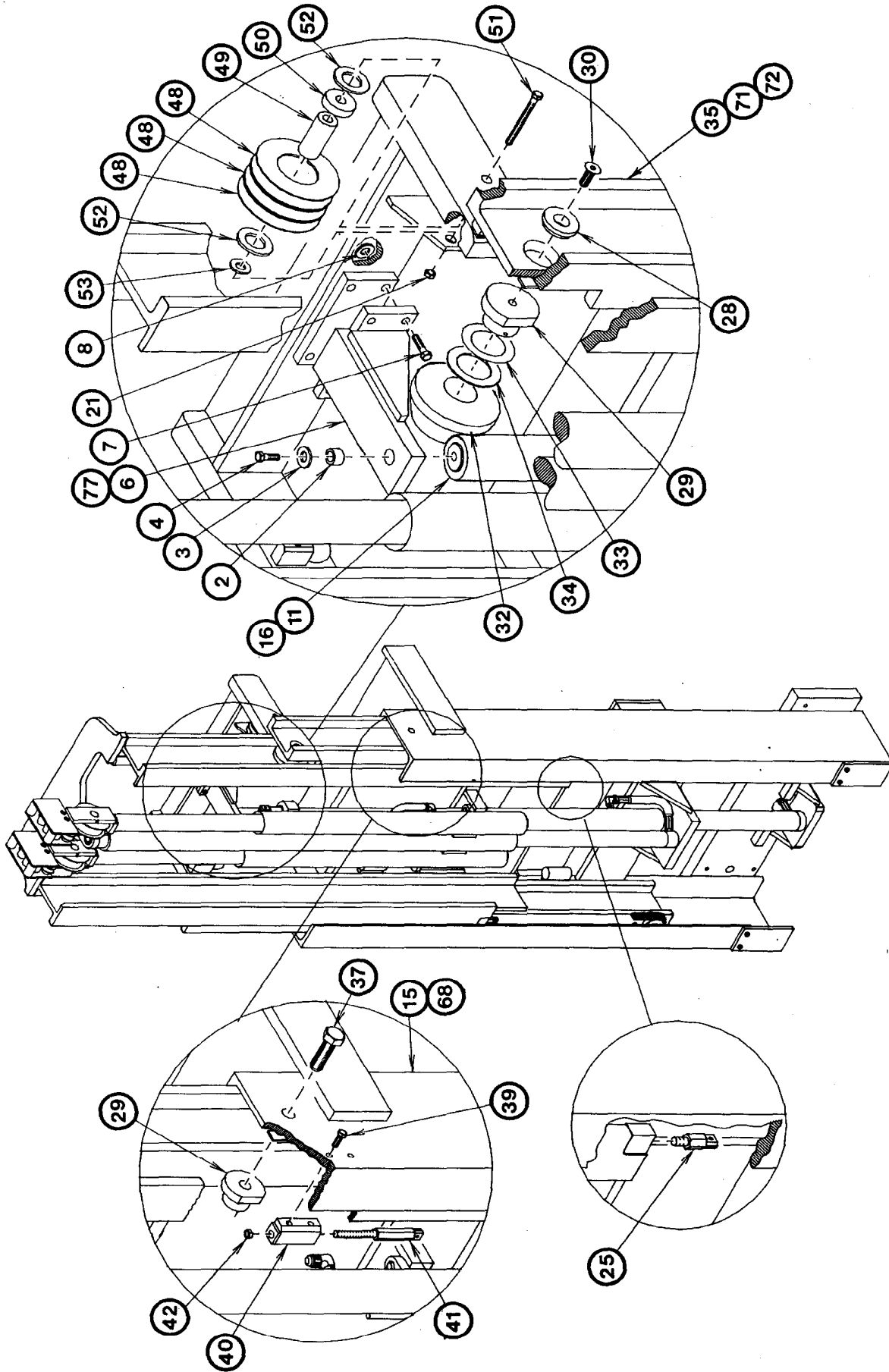
CLICK HERE TO **DOWNLOAD** THE COMPLETE MANUAL

- Thank you very much for reading the preview of the manual.
- You can download the complete manual from: www.heydownloads.com by clicking the link below



- Please note: If there is no response to CLICKING the link, please download this PDF first and then click on it.

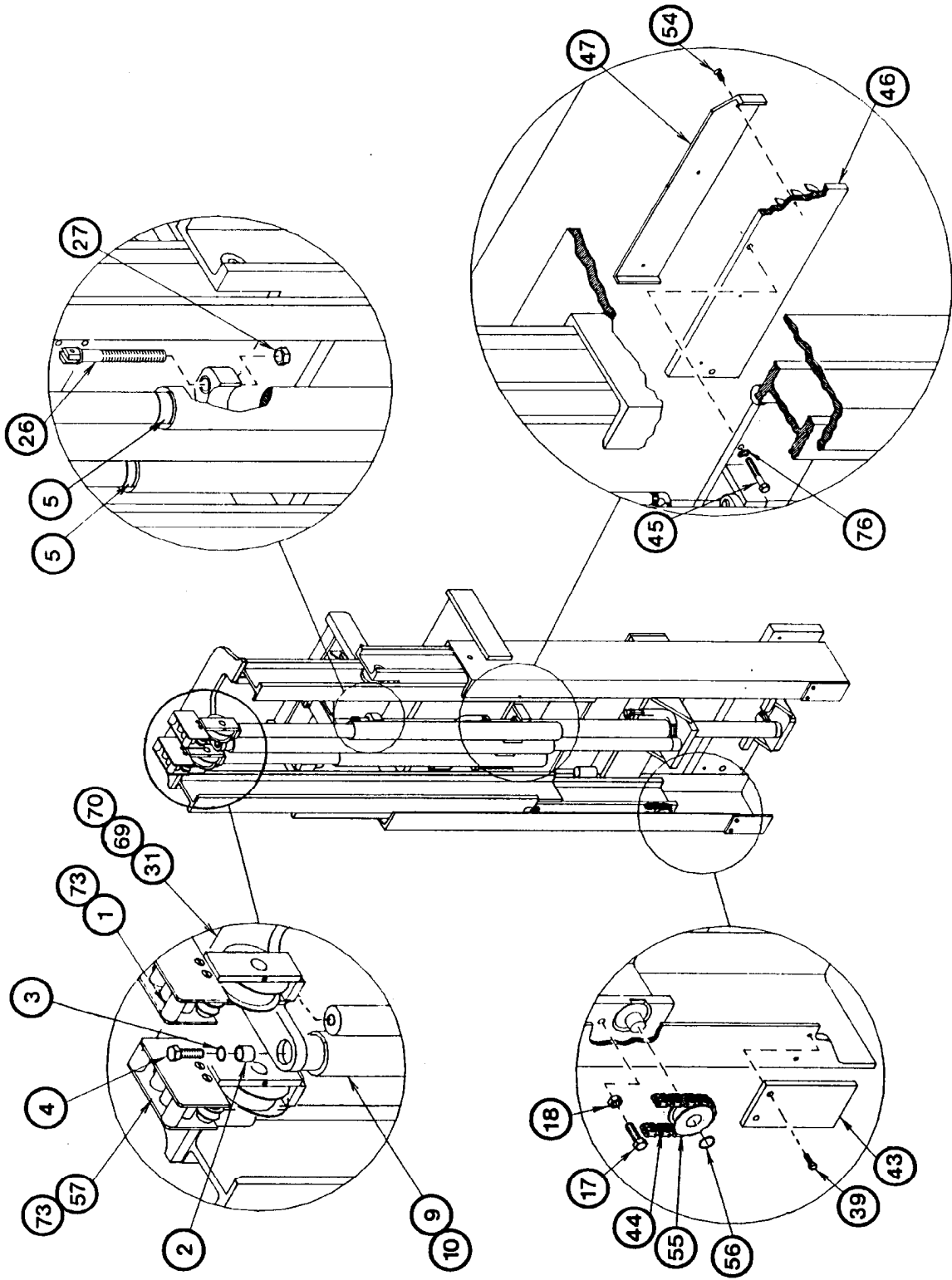
CLICK HERE TO **DOWNLOAD** THE COMPLETE MANUAL



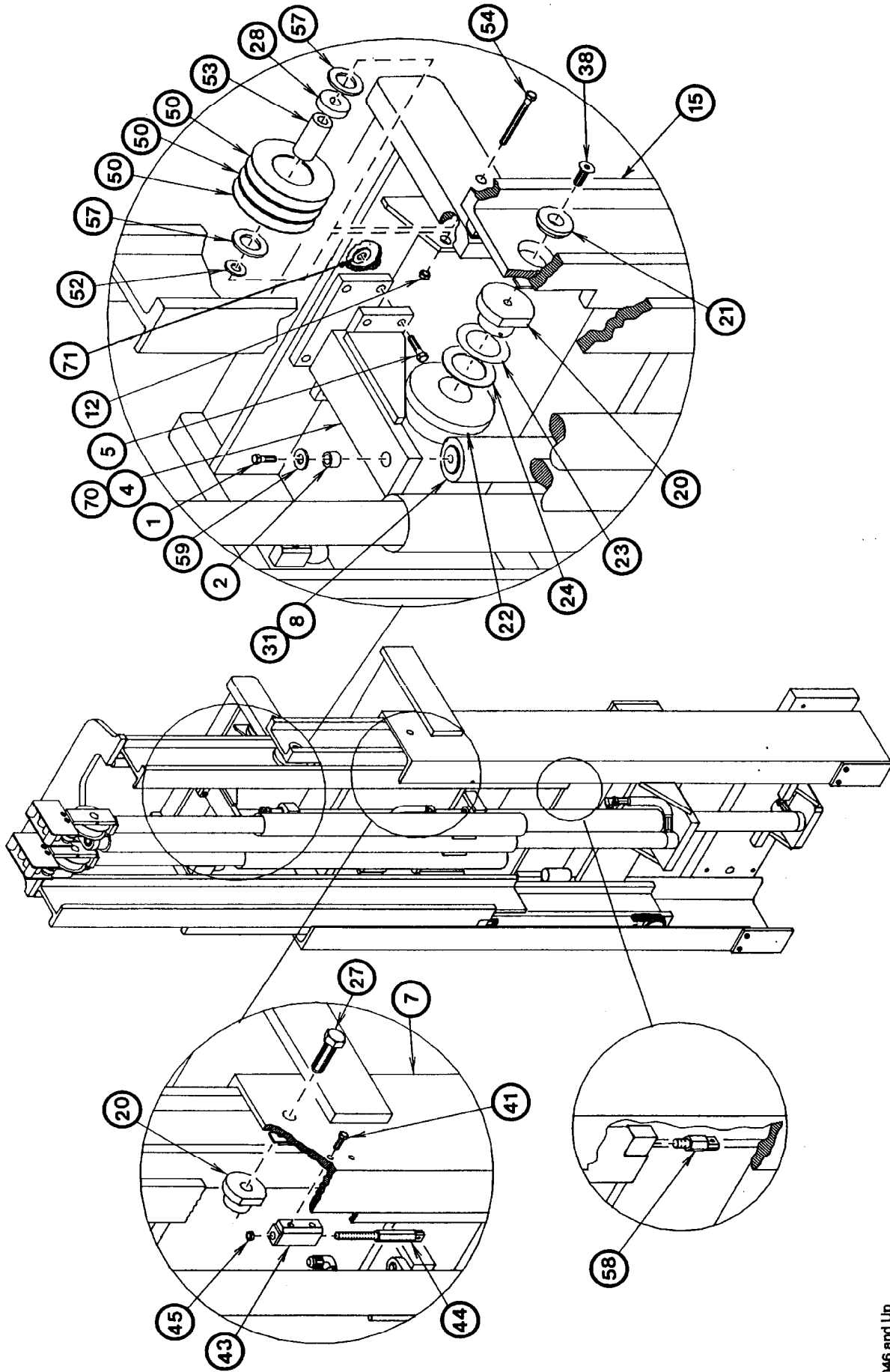
Model 20 - RA30TT - S/N 33607 and Up
Model 21 - RA30TT - S/N 6148 and Up
Model 31 - RA30TT - S/N 16806 and Up

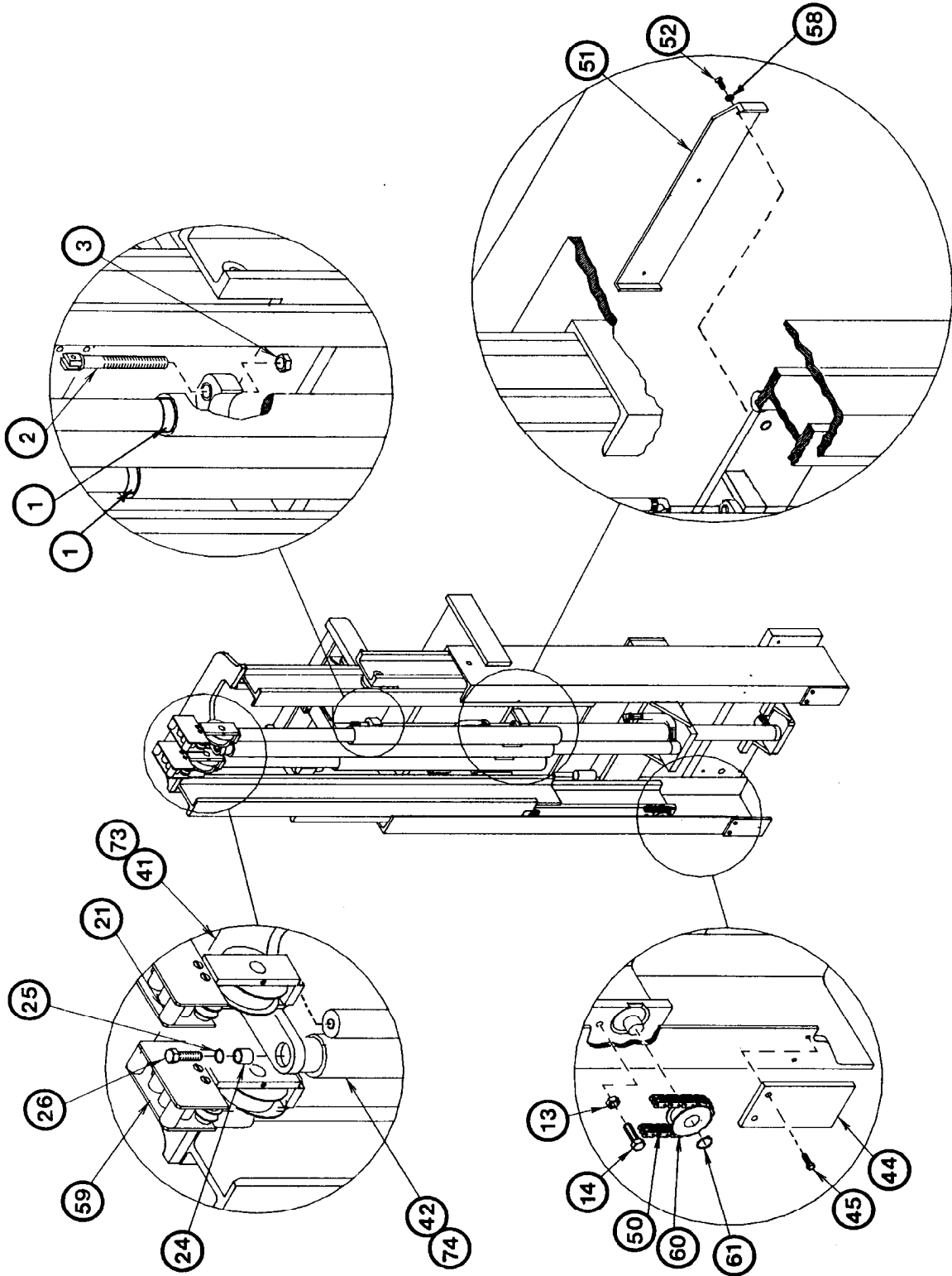
Model 20 - 4000# - S/N 33607 to 35066
Model 21 - 4000# - S/N 6148 to
Model 31 - 4000# - S/N 16806 to 19728
Sheet 3 of 3

ELEVATING SECTION
Figure 132-929-___ (F)

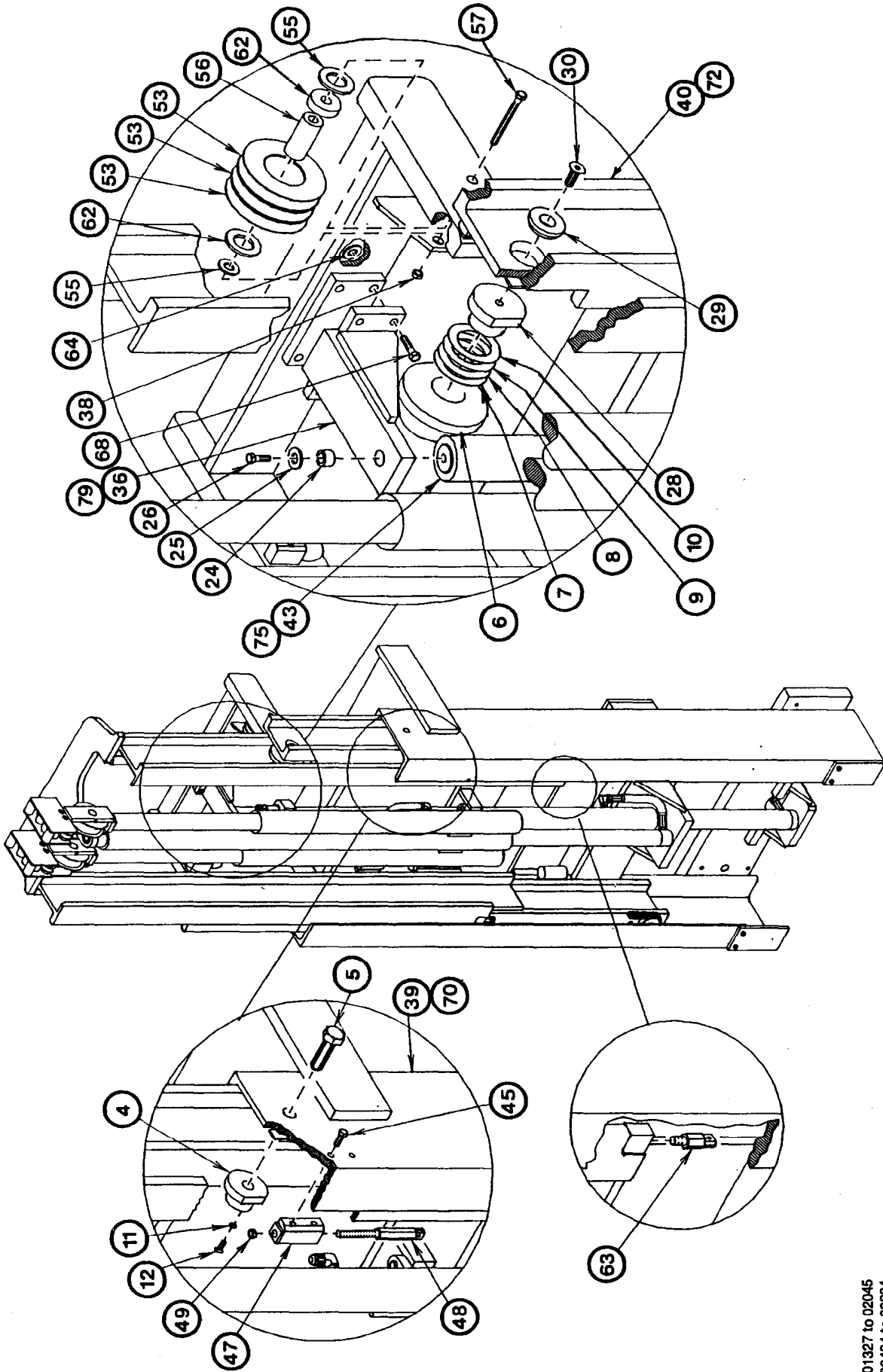


ELEVATING SECTION
Figure 132-949-___ (C)



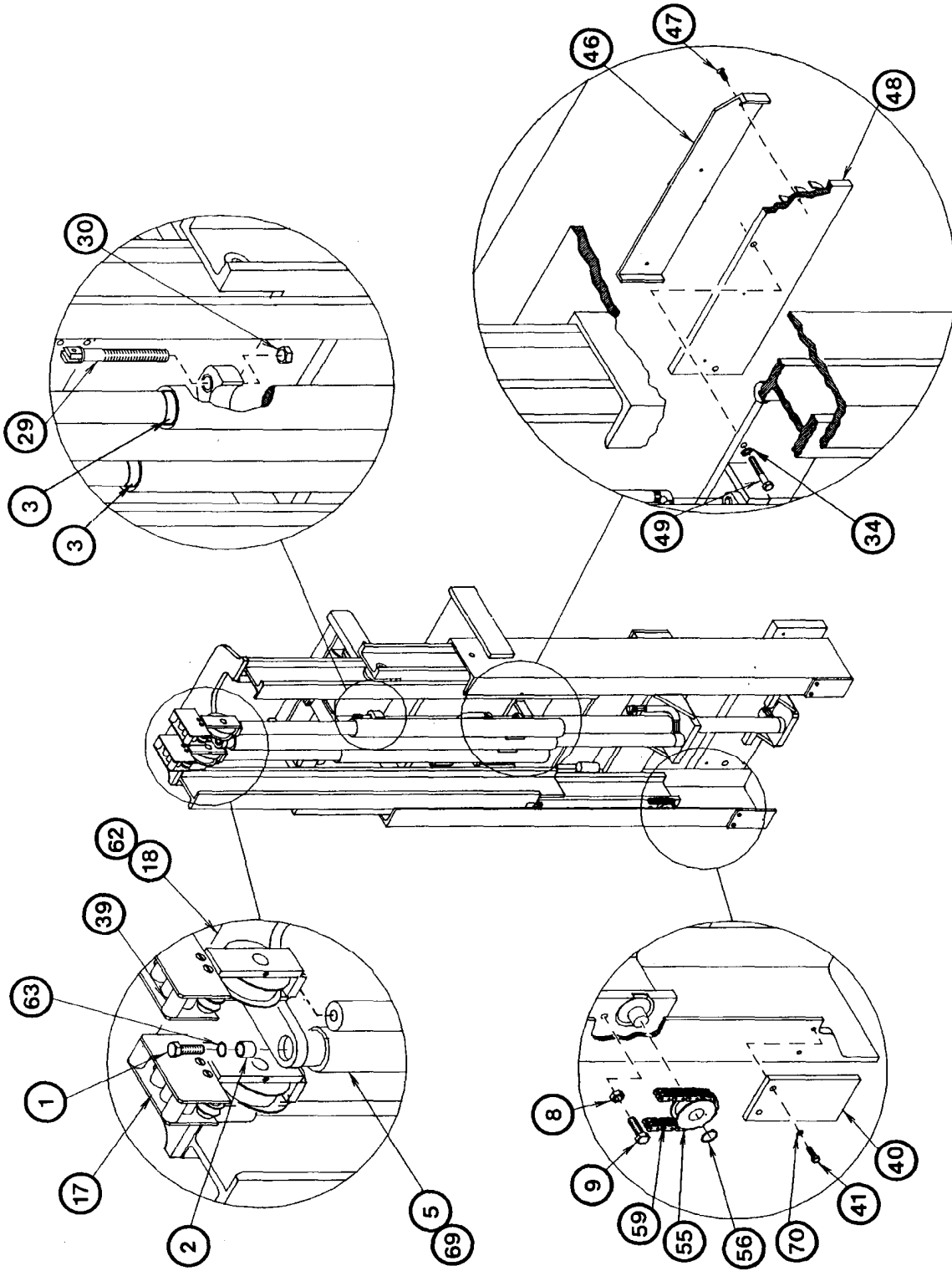


ELEVATING SECTION
Figure 132-951-___ (C)



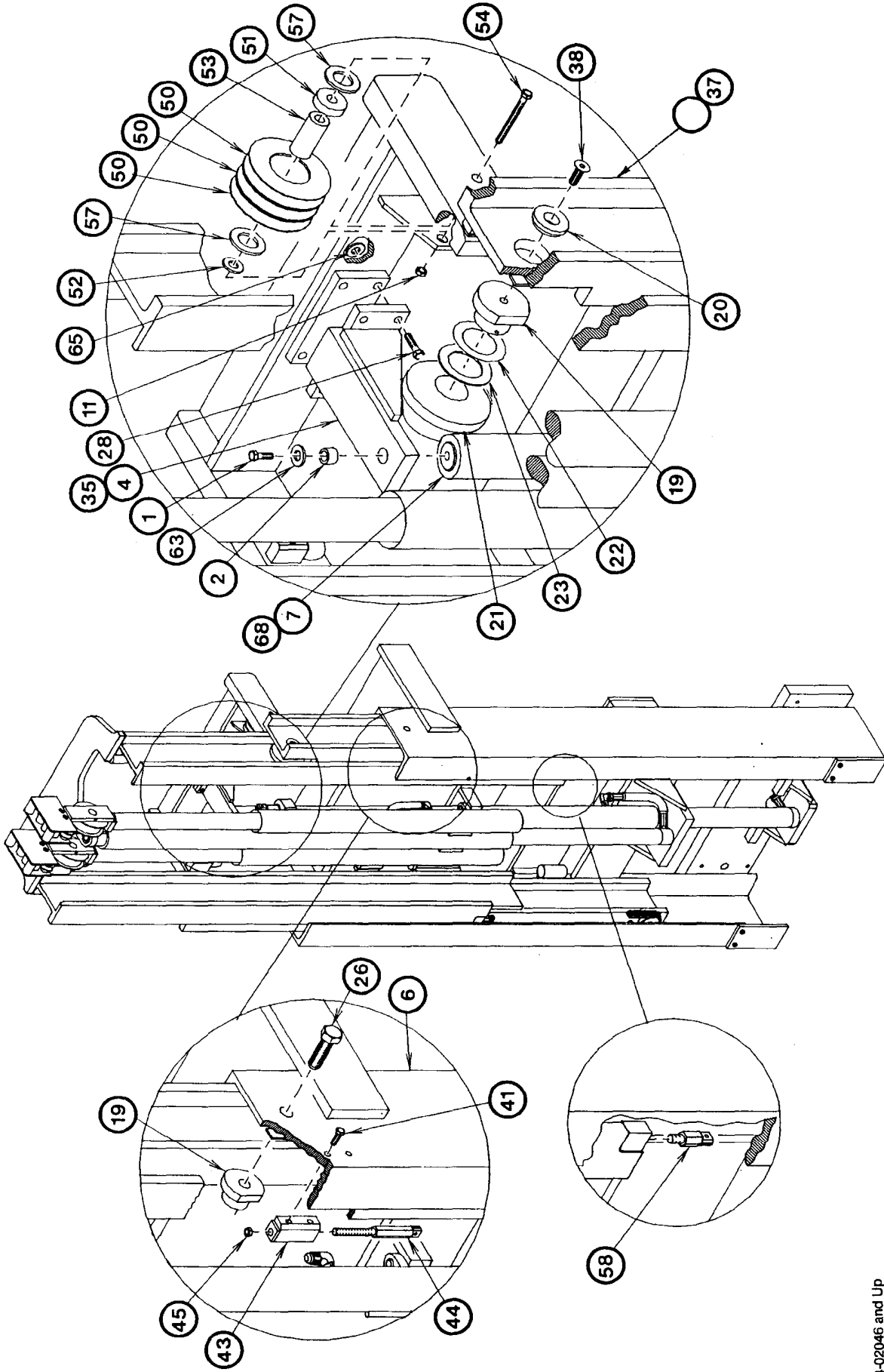
EZ-A-94-01327 to 02045
ET-A-94-00404 to 00804
ES/DS-A-94-00001 to 00870
3000#
Sheet 3 of 3

ELEVATING SECTION
Figure 132-944-

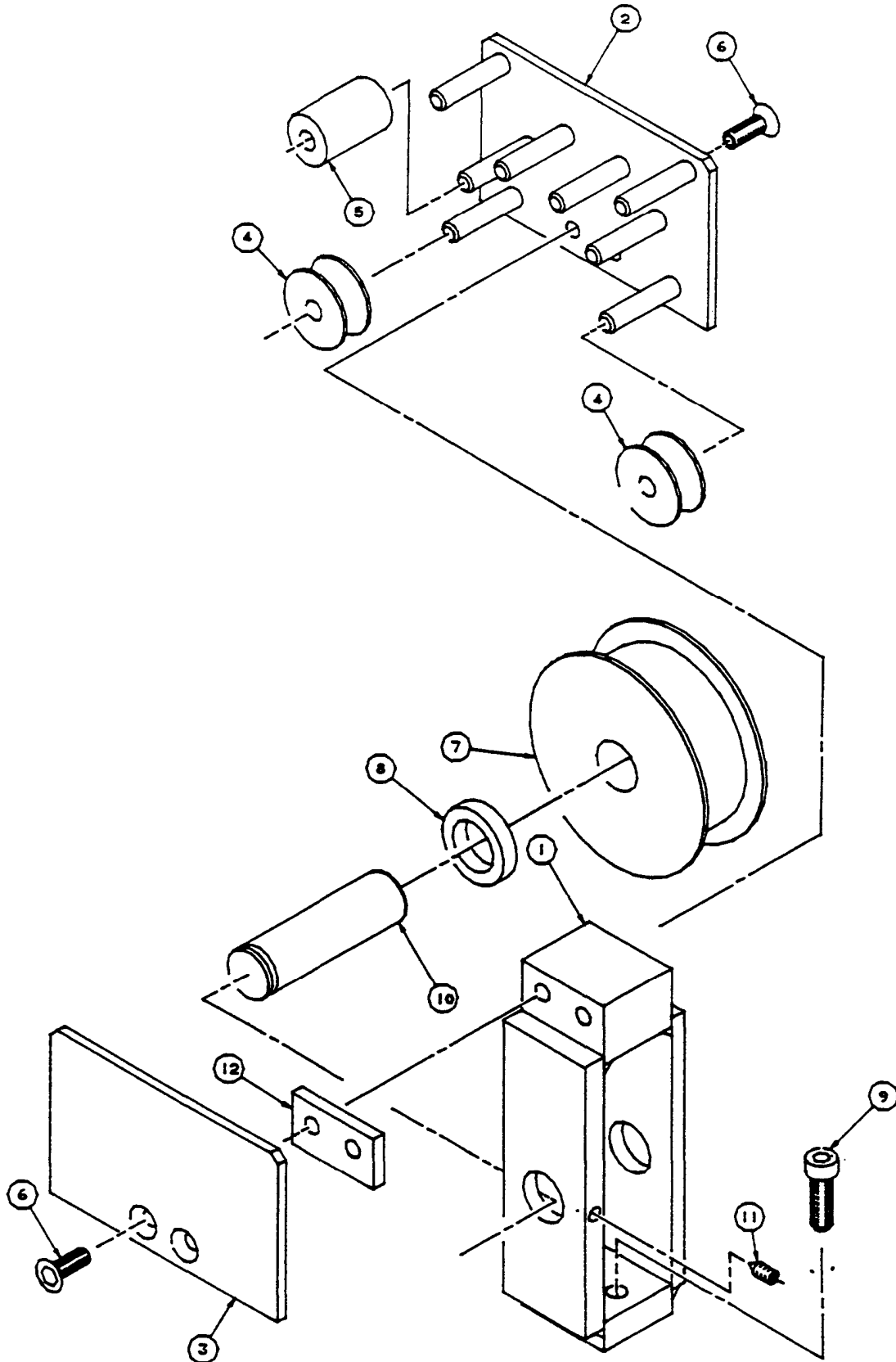


EZ-A-94-01327 to 02045
ET-A-94-00404 to 00804
ES/DS-A-94-00001 to 00870
Deep Reach - 2500#/3000#
Sheet 1 of 3

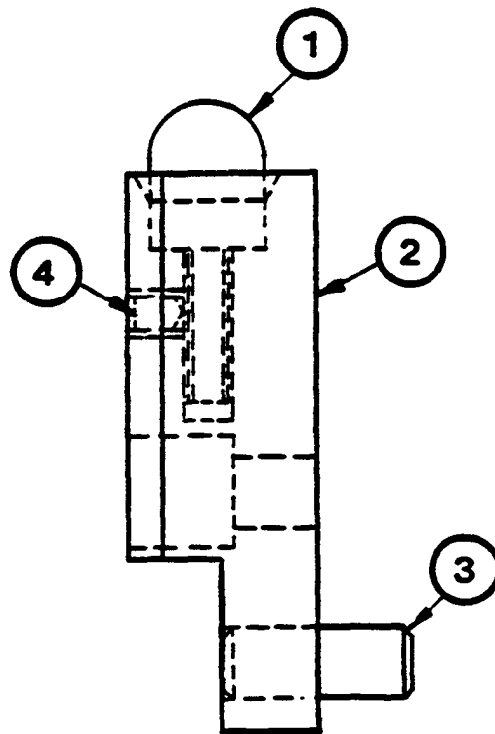
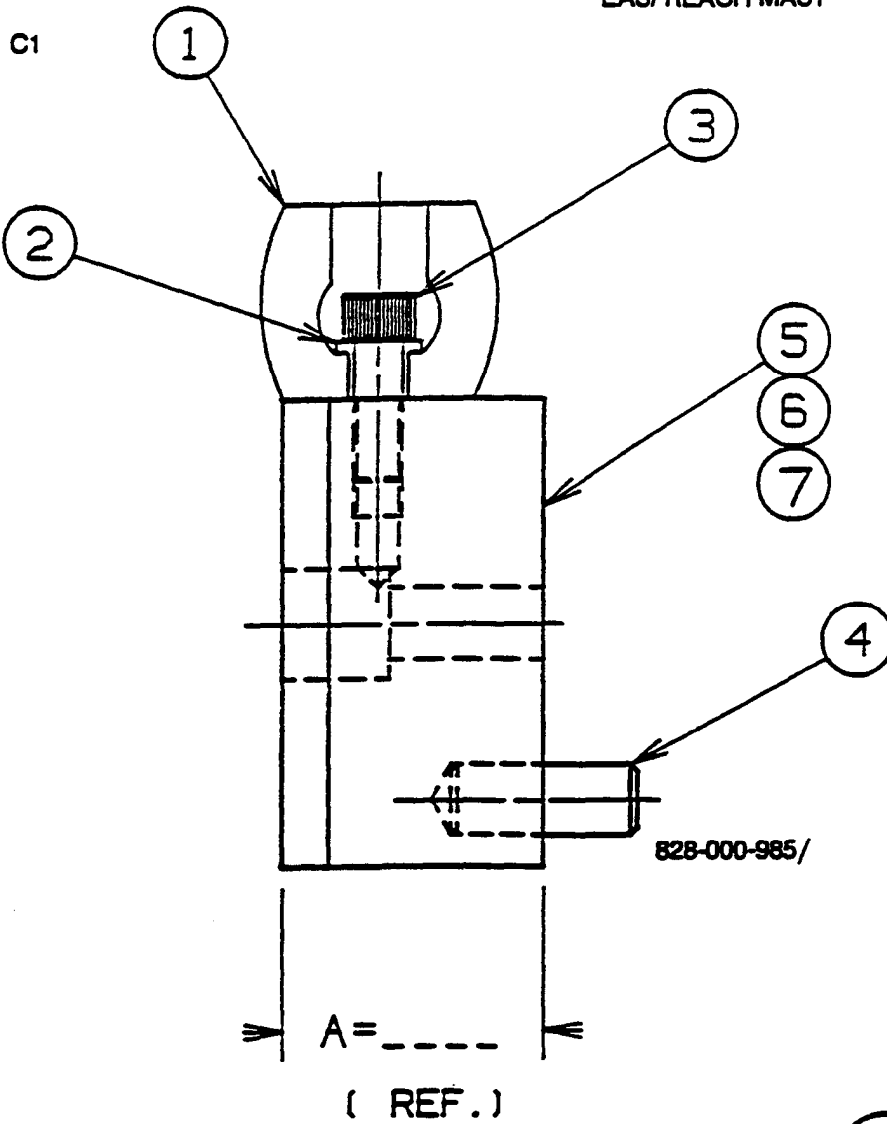
ELEVATING SECTION
Figure 132-942-___



ELEVATING SECTION
Figure 132-954-__ (B)



PULLEY BRACKET ASSEMBLY
Figure 828-003-560/003 (C)



123-001-197

CARRIAGE STOP ASSEMBLY
Figure 123-001-197 (A)
Figure 828-000-985/ (B)

THE RAYMOND CORPORATION

REACH CARRIAGE ASSEMBLY
Figure 137-003-037/ (G)

Page 666
EAS/ REACH

<u>Item No.</u>	<u>Qty.</u>	<u>Part Number</u>	<u>Description</u>
1	2	828-005-178/003	BL Type Chain Anchor
2	2	714-147	Soc. Hd. Cap Screw 3/8-16 x 1 1/2
3	4	811-405	Tube Clip Clamp
4	5	701-118	Rd. Hd. Mach. Screw #10-24 x 1/2
5	2	820-004-805	Wear Plate
6	4	715-026	Fl. Soc. Hd. Cap Screw 5/16-18 x 3/4
7	1	137-003-223	Carriage Weldment
8	2	726-017	Self-Locking Hex Hd. Cap Screw 1/4-20 x 1/2
9	2	623-003-050	Pin
10	AR	771-044	Spacer
11	1 (REF)	137-003-027	Scissors Arm Assy. (S/N 33607/6148/16806 to 35101/6438/19818)
	1 (REF)	137-003-221	Scissors Arm Assembly (S/N 35102/6437/19819 & Up)
12	4	623-003-120	Spacer
13	4	810-946	Cotter Pin 1/4 x 1 1/4
14	4	701-184	Rd. Hd. Mach. Screw 1/4-20 x 5/8
15	2	701-122	Rd. Hd. Mach. Screw #10-24 x 3/4
16	2	623-003-060	Pin
17	4	623-003-110	Spacer
18	2	623-003-070	Pin
19	6	715-016	Soc. Hd. Cap Screw #10-32 x 1/2
20	6	771-116	Flat Washer 1/4
21	AR	115-000-053	Spacer
22	AR	115-000-054	Spacer
23	REF	115-000-051	Bearing
24	2 (REF)	828-001-453/001	D.A. Cylinder Assembly
25	2	821-003-222/002	Sleeve
26	2	828-001-497	Hose Strap
27	4	702-162	Fl. Hd. Mach. Screw #12-24 x 1/2
28	2	781-006-042	Reach Hydraulic Line
29	1	828-005-025/001	Hose Support (S/N 33607/6148/16806 to 35101/6438/19818)
	1	828-005-145/001	Hose Support (S/N 35102/6437/19819 & Up)
30	1 (REF)	828-003-750	Solenoid Valve Assembly
31	4	030-503-017/036	Hose Assembly
32	2	715-032	Fl. Soc. Hd. Screw 5/16-18 x 1
33	REF	625-001-522/003	Carriage Stop Assembly
34	2	P31-504-044-551	Hose Assembly
36	1	811-421	Double Clip
37	6"	870-673	Spirol Wrap Guard

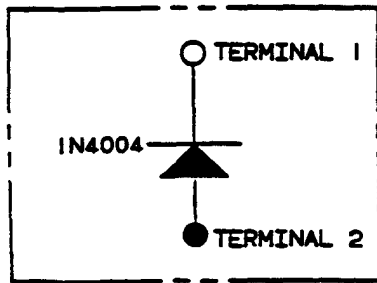
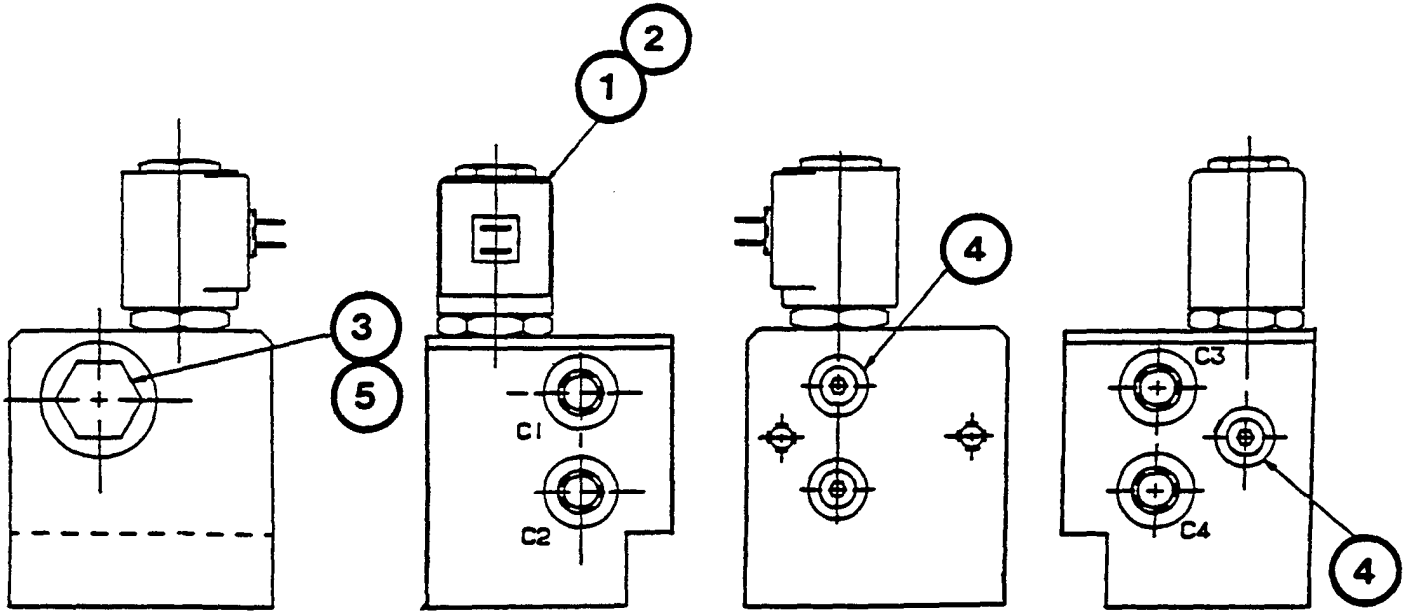
THE RAYMOND CORPORATION

D.A. CYLINDER ASSEMBLY
Figure 828-001-453/
D8

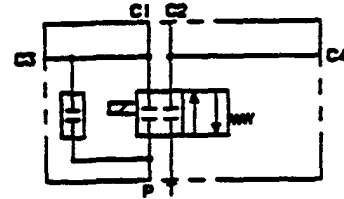
Page 674
EAS/ REACH

<u>Item No.</u>	<u>Qty.</u>	<u>Part Number</u>	<u>Description</u>
1	1	460-063	Bearing
2	1	790-412	Elbow
3	1	See Chart	Cylinder
4	1	790-402	Elbow
5	1	750-447	Jam Nut
6	1	623-032-211	Yoke
7	1	460-661	Bearing

P/N	CYLINDER	DESCRIPTION
001	540-047	STD.
002	540-058	ITA W/PT & SS
003	540-059	ITA W/PT



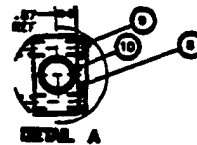
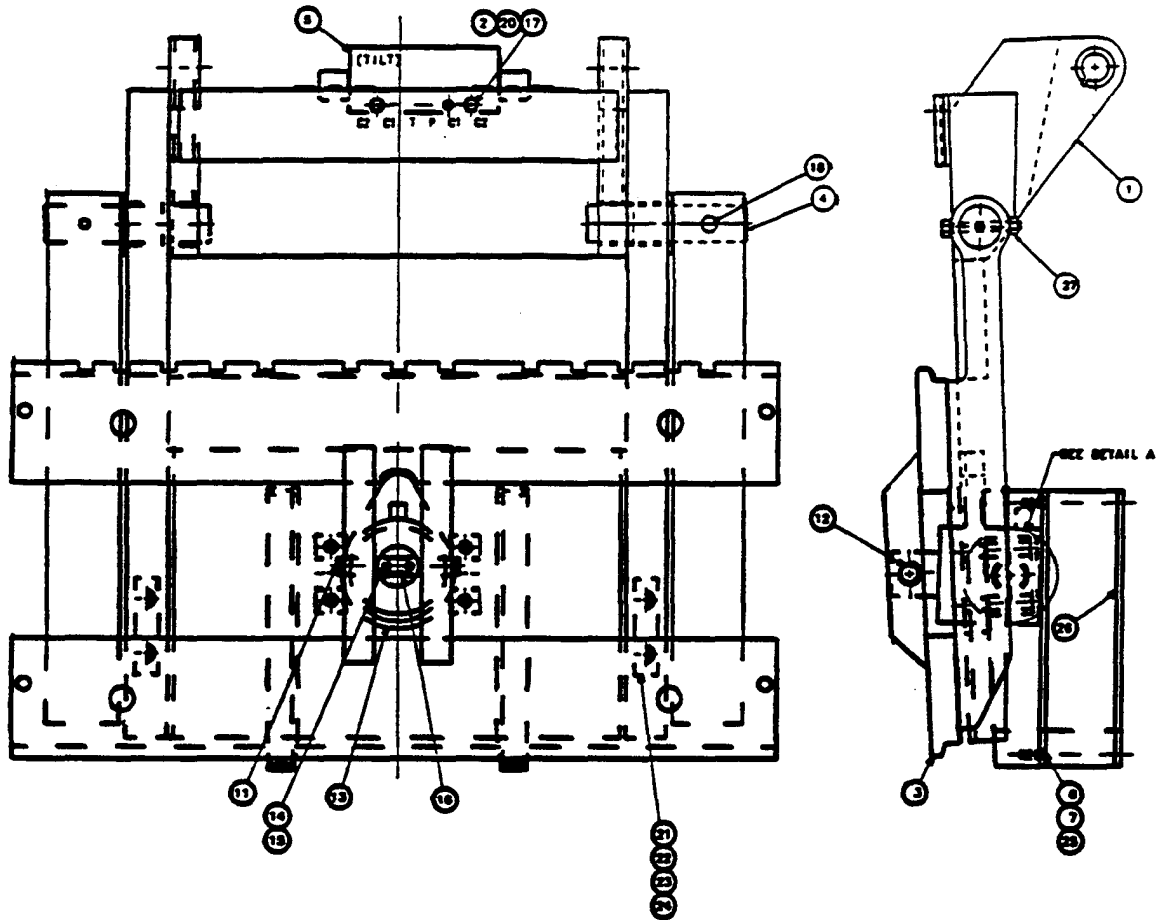
VOLTAGE SUPPRESSION



Model 20 - S/N 33607 to 34329
 Model 21 - S/N 6148 to 6325
 Model 31 - S/N 16806 to 18248

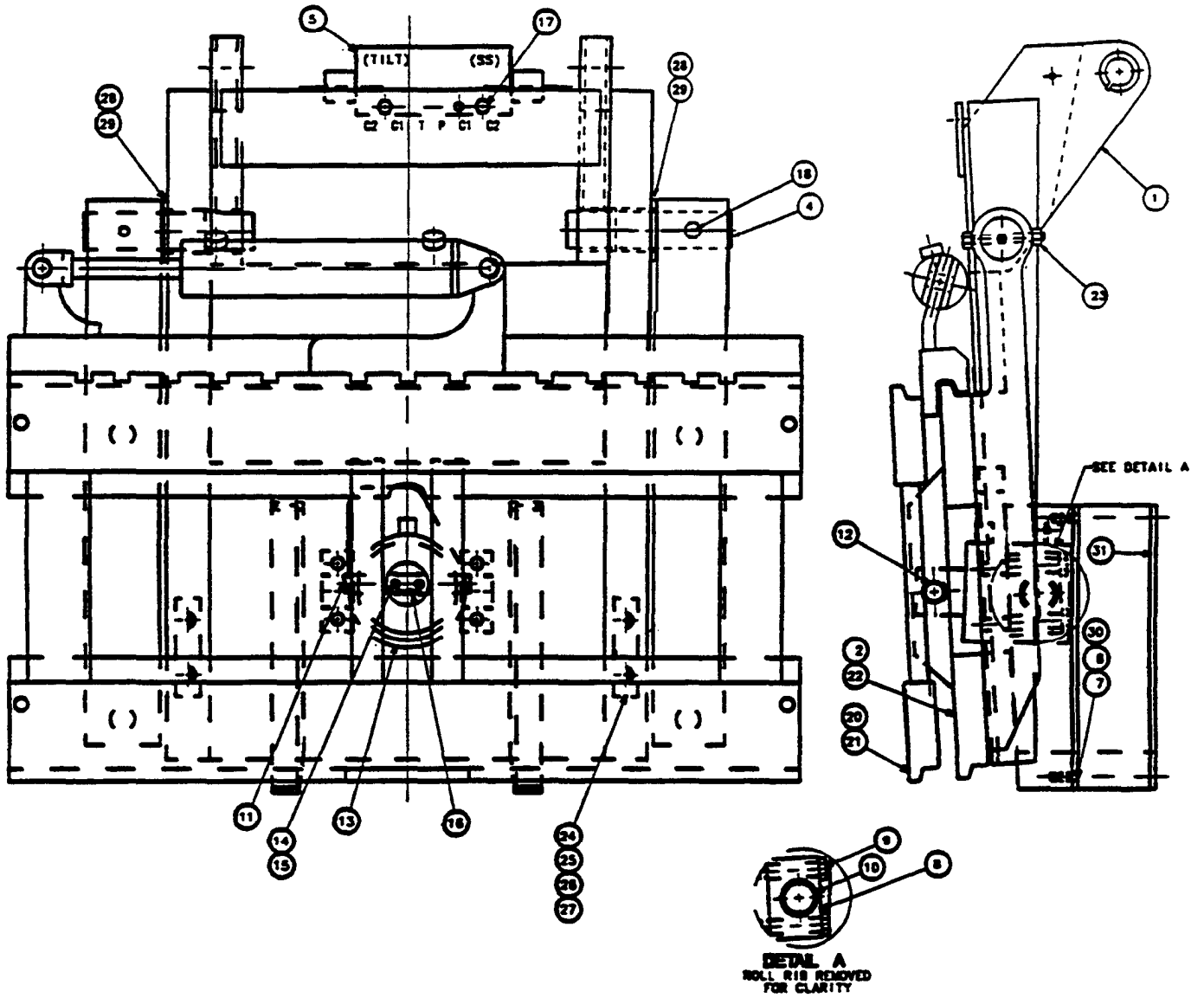
<u>Item No.</u>	<u>Qty.</u>	<u>Part Number</u>	<u>Description</u>
1	1	520-910/01	Solenoid Valve Cartridge
2	1	520-910/02	Coil
3	1	520-910/03	Check Valve (270 PSI)
4	3	520-910/04	Plug
5	1	520-910/05	Check Valve Seal Kit

SOLENOID VALVE
Figure 520-910



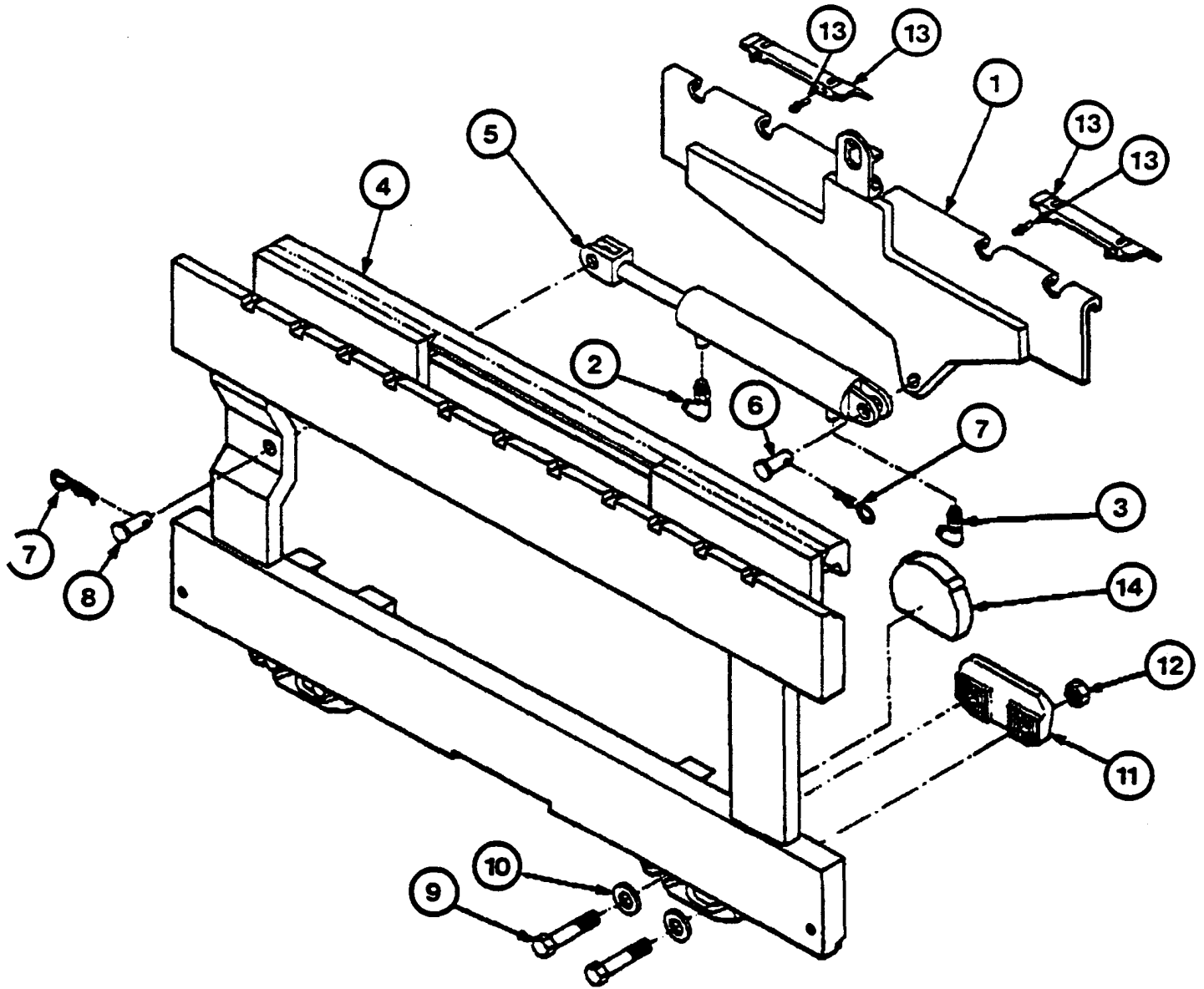
Model 20 - S/N 34915 & Up
Model 21 - S/N 6423 & Up
Model 31 - S/N 19371 & Up
Stretch W/Power Tilt

CARRIAGE ASSEMBLY
Figure 137-003-152/ (C)



Model 20 - S/N 35000 & Up
Model 21 - S/N 6426 & Up
Model 31 - S/N 19569 & Up
W/Side Shift

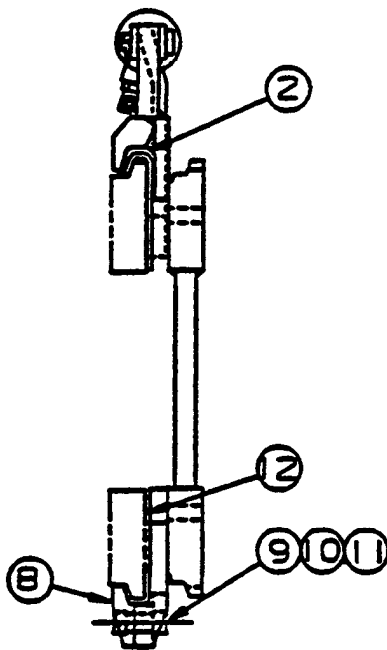
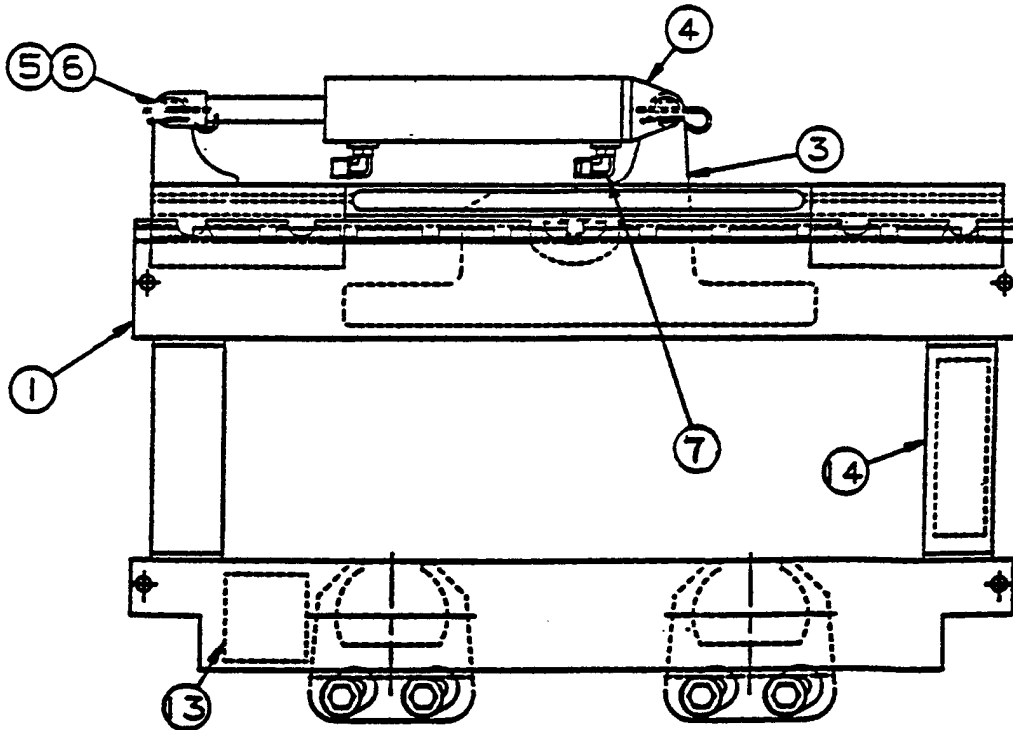
CARRIAGE ASSEMBLY
Figure 828-003-843/ (F)



Model 20 - S/N 33607 to _____
Model 21 - S/N 6148 to _____
Model 31 - S/N 16806 to _____

Sideshift

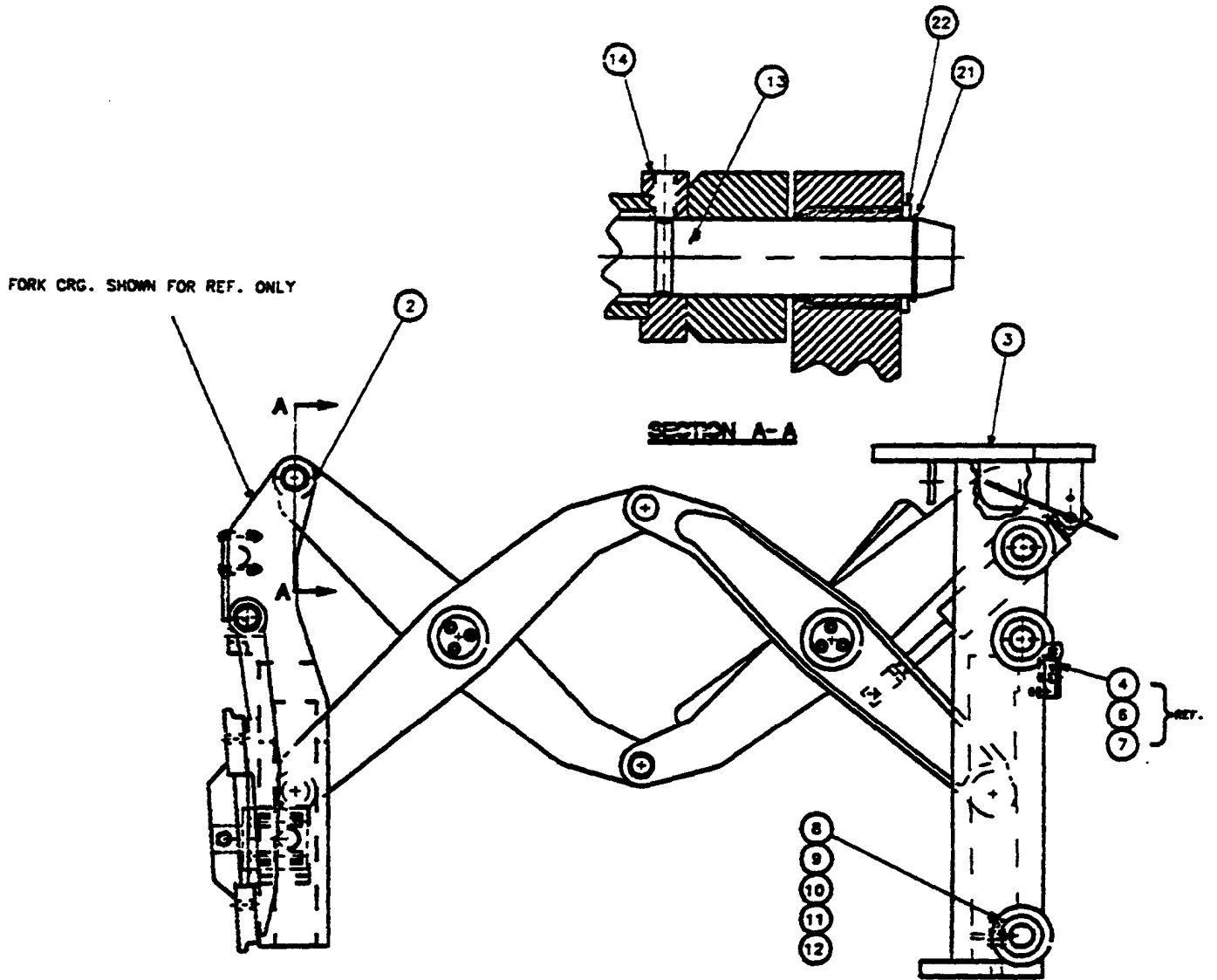
CARRIAGE ASSEMBLY
Figure 828-003-385/ (2)



Model 20 - S/N 34061 to 34747
Model 21 - S/N 6289 to 6403
Model 31 - S/N 17801 to 19093

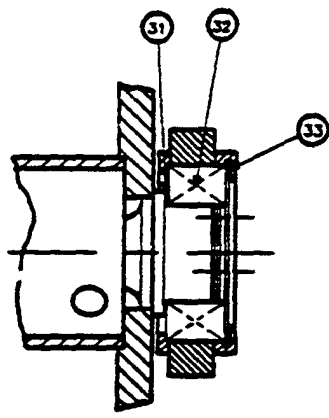
4" Sideshift

CARRIAGE ASSEMBLY
Figure 828-003-898/002

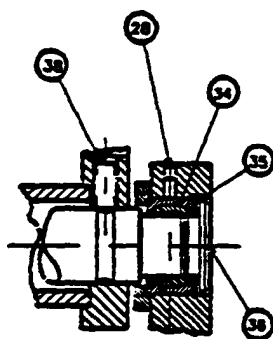
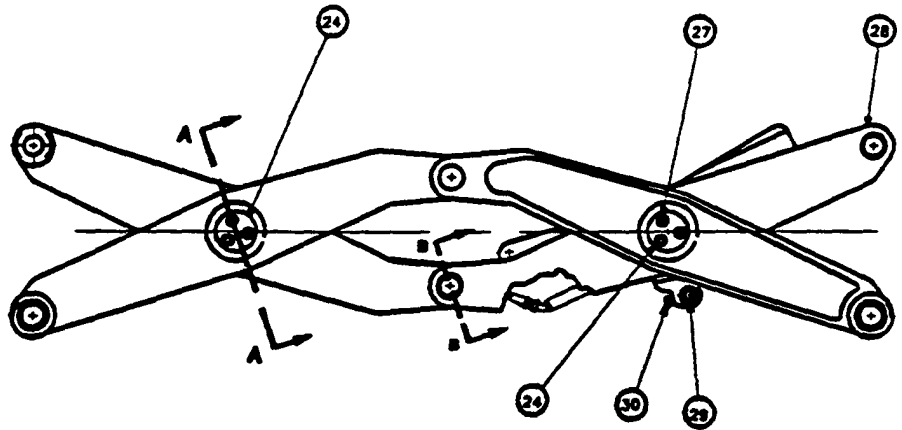


Deep Reach W/Power Tilt & Sideshift

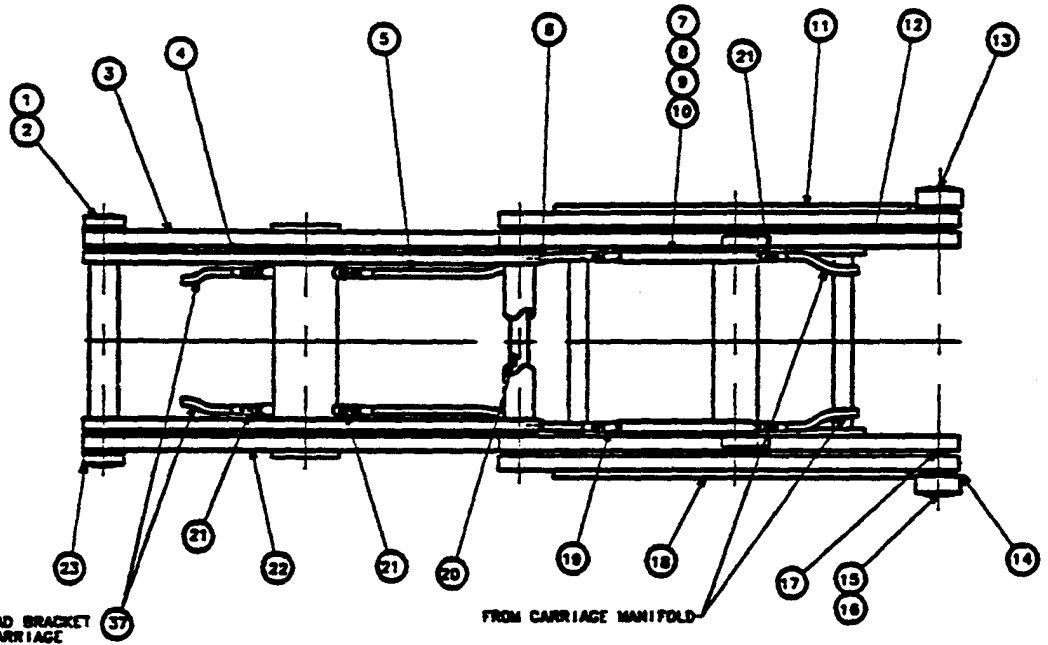
INSTL. MECH. CARRIAGE ASSEMBLY
Figure 828-005-151



SECTION A-A



SECTION S-B



SCISSORS ARM ASSEMBLY
Figure 828-003-576 (D)

THE RAYMOND CORPORATION

CARRIAGE ASSEMBLY
Figure 828-003-770/ (C)

Page 6156
 EAS/ REACH

<u>Item No.</u>	<u>Qty.</u>	<u>Part Number</u>	<u>Description</u>
1	1	828-003-765	Carriage Frame Weldment
2	1	828-003-764/	Carriage Weldment (S/N 33607/6148/16806 to 34978/6424/19536)
	1	828-005-124	Carriage Weld. (S/N 34979/6425/19537 to 34999/6425/19568)
3	1 (REF)	520-912	Solenoid Valve
4	3	772-116	Lockwasher 1/4
5	3	710-033	Hex Hd. Cap Screw 1/4-20 x 2 3/4
6	3	750-006	Hex Nut 1/4-20
7	2	460-615	Oil Impregnated Bearing Sleeve
8	1	828-003-308	Shaft
9	2	724-447	SHS 5/16-18 x 1/2 (S/N 33607/6148/16806 to 34978/6424/19536)
	2	810-778	Spirol Pin (S/N 34979/6425/19537 to 34999/6425/19568)
10	2	810-126	Snap Ring Retainer
11	1	460-171	Oil Impregnated Bearing Sleeve
12	1 (REF)	**828-003-310	D.A. Cylinder Assembly
	1 (REF)	**540-113/	Tilt Ram
13	2	828-003-543	Shaft (S/N 33607/6148/16806 to 34978/6424/19536)
	2	828-005-123	Shaft (S/N 34979/6425/19537 to 34999/6425/19568)
14	2	460-475	Oil Impregnated Bearing Sleeve
15	4	710-269	Hex Hd. Cap Screw 1/2-13 x 3 1/2
16	2	828-003-532	Cylinder Mounting Bracket
17	2	460-487	Oil Impregnated Bearing Sleeve
18	2	701-060	Rd. Hd. Mach. Screw #6-32 x 5/16
19	AR	990-403	Retaining Compound

**** Refer to Quality Assurance Sheet for proper part number for your vehicle.**

CLICK HERE TO **DOWNLOAD** THE COMPLETE MANUAL

- Thank you very much for reading the preview of the manual.
- You can download the complete manual from: www.heydownloads.com by clicking the link below



- Please note: If there is no response to CLICKING the link, please download this PDF first and then click on it.

CLICK HERE TO **DOWNLOAD** THE COMPLETE MANUAL

THE RAYMOND CORPORATION

CARRIAGE PIPING
Figure 828-005-057/ (C)

Page 6166
EAS/ REACH

<u>Item No.</u>	<u>Qty.</u>	<u>Part Number</u>	<u>Description</u>
1	2	792-509	90 Degree Elbow
2	4	792-503	Straight O-Ring Connector
3	6	792-503	Straight O-Ring Connector
4	1	041-704-014/047	Sideshift Hose Assembly
6	1	041-704-011/047	Sideshift Hose Assembly
7	1	P31-504-017/012	Tilt Hose Assembly
8	1	P31-504-016/007	Tilt Hose Assembly

P/N	DESCRIPTION	W/O ITEMS
001	Tilt Only	3, 4, 6
002	Tilt & S.S.	2

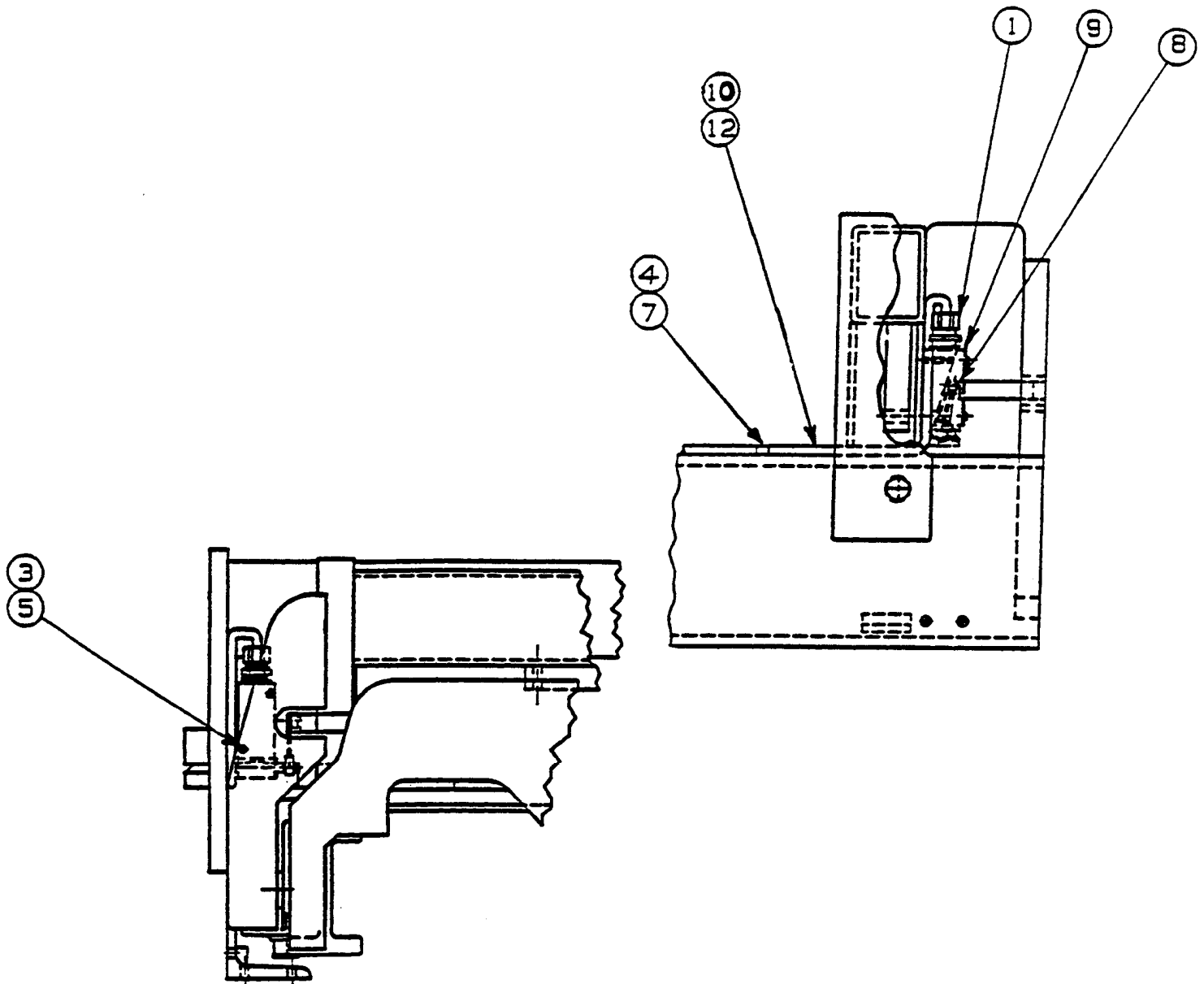
THE RAYMOND CORPORATION

PLEXIGLASS OVERHEAD GUARD INSTALLATION
Figure 828-003-902 (B)

Page 6176
EAS/ REACH

G6

<u>Item No.</u>	<u>Qty.</u>	<u>Part Number</u>	<u>Description</u>
1	1	828-003-903	Overhead Guard Alter.
2	00	370-910	Plexiglass
3	8	600-238	Shock Bushing Mounting
4	8	600-239	Rock Ring Mounting
5	8	771-116	Flat Washer 1/4
6	8	772-116	Lockwasher 1/4
7	8	710-012	Hex Hd. Cap Screw 1/4-20 x 7/8
8	8	812-003-067/001	Sleeve
9	00	370-618	Sponge



Model 20/21

<u>Item No.</u>	<u>Qty.</u>	<u>Part Number</u>	<u>Description</u>
1	1	600-312	Cable Connector
3	2	701-132	Rd. Hd. Mach. Screw 10-32 x 1 1/4
4	AR	811-402	Brass Clip
5	2	772-112	Lockwasher #10
7	AR	813-570/004	Stud-Grip Nail
8	1	1-150-099	Lever Arm
9	1	1-150-087	Limit Switch
10	1	154-008-962/	Cable Assembly (M20i & 21i)
12	1	154-010-020	Cable Assembly (M31XL & Std.)

ELECTRICAL LIMIT SWITCH INSTALLATION
Figure 828-000-668/ (F)

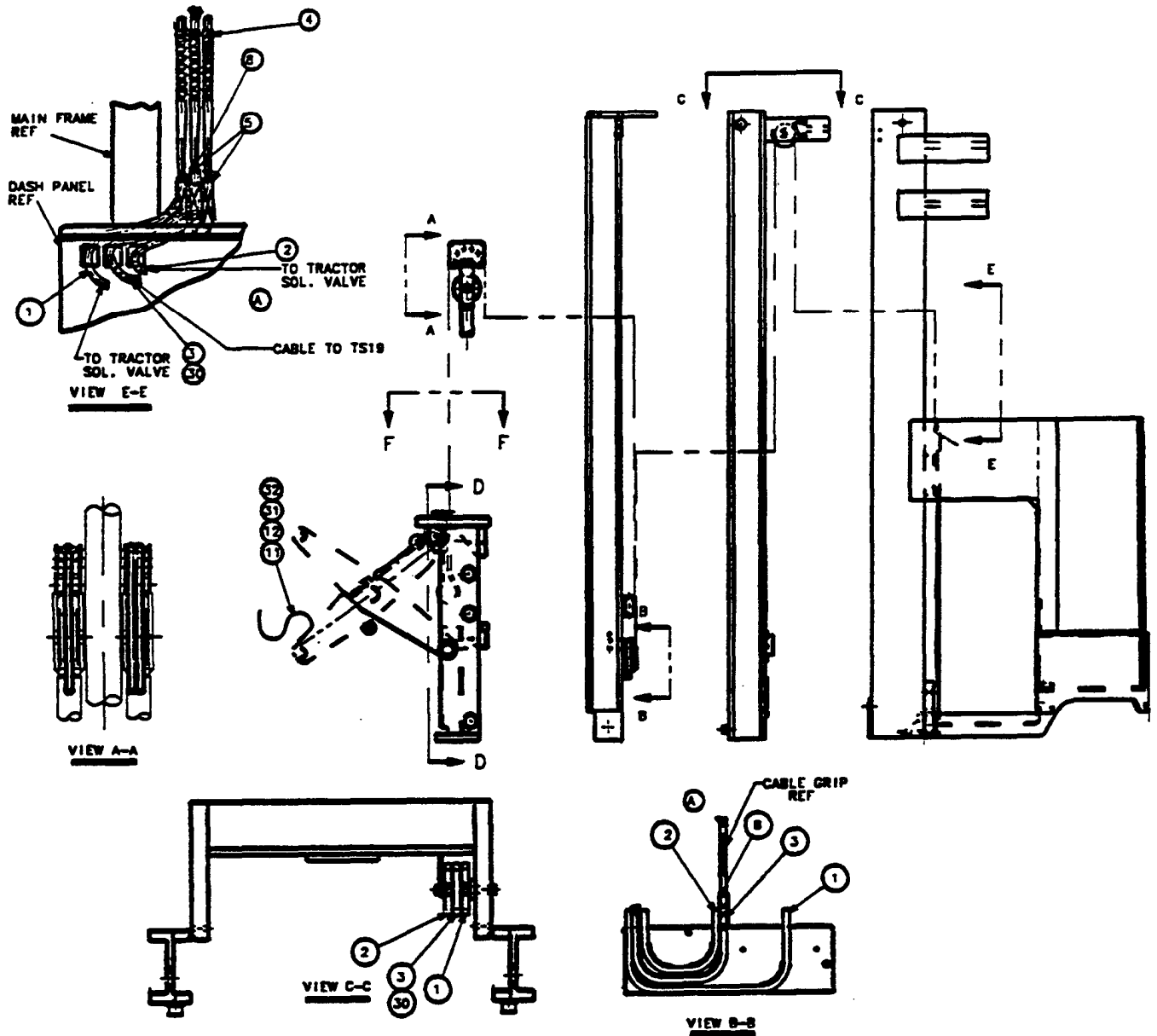
THE RAYMOND CORPORATION

ELEVATING SECTION FINISH INSTRUCTIONS
Figure 828-003-646 (B)

Page 6200
EASi REACH

C9

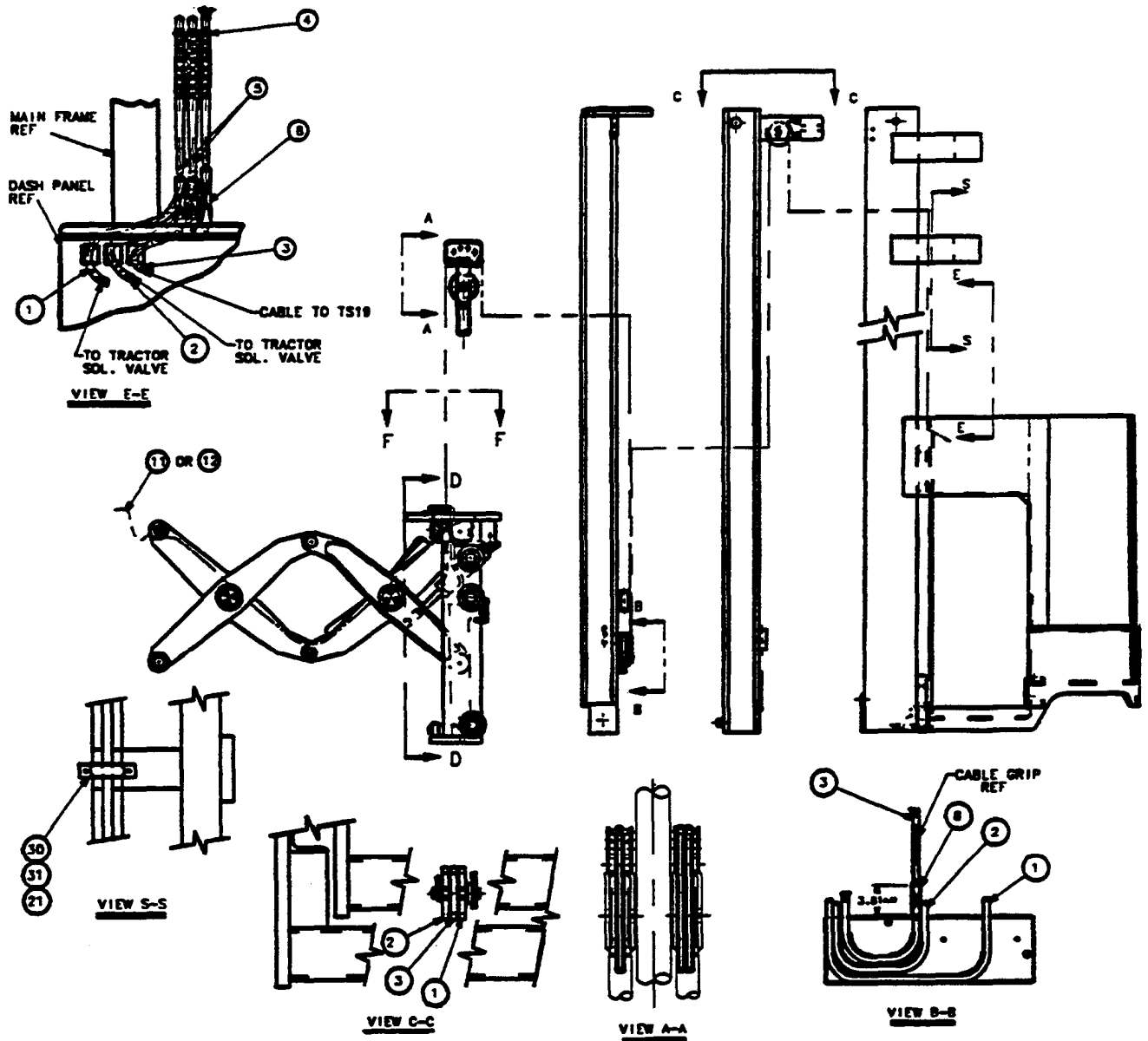
<u>Item No.</u>	<u>Qty.</u>	<u>Part Number</u>	<u>Description</u>
1	1	411-403	Decal - Made in Canada
2	1	412-130	Serial Number Plate
3	4	813-570/002	Stud
4	AR	411-587/004	No Riding Decal (Orange)
5	1	411-531	Overhead Guard Decal



Model 31 S/N 17326 and Up
Model 21 S/N 6227 and Up
Model 20 S/N 33798 and Up
Sheet 1 of 3

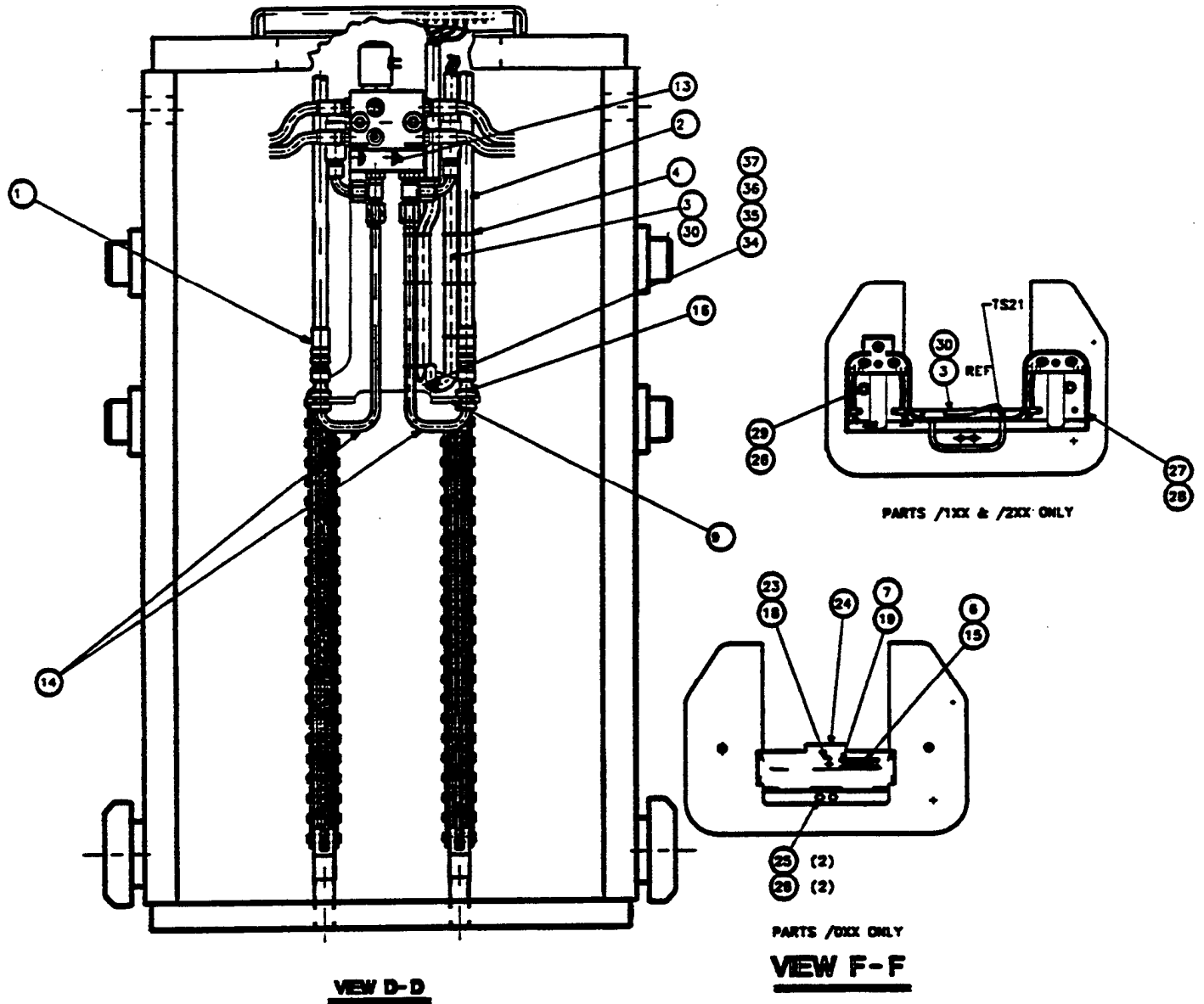
HOSE AND CABLE INSTALLATION
Figure 828-003-881/ thru 885/ (C)

E7



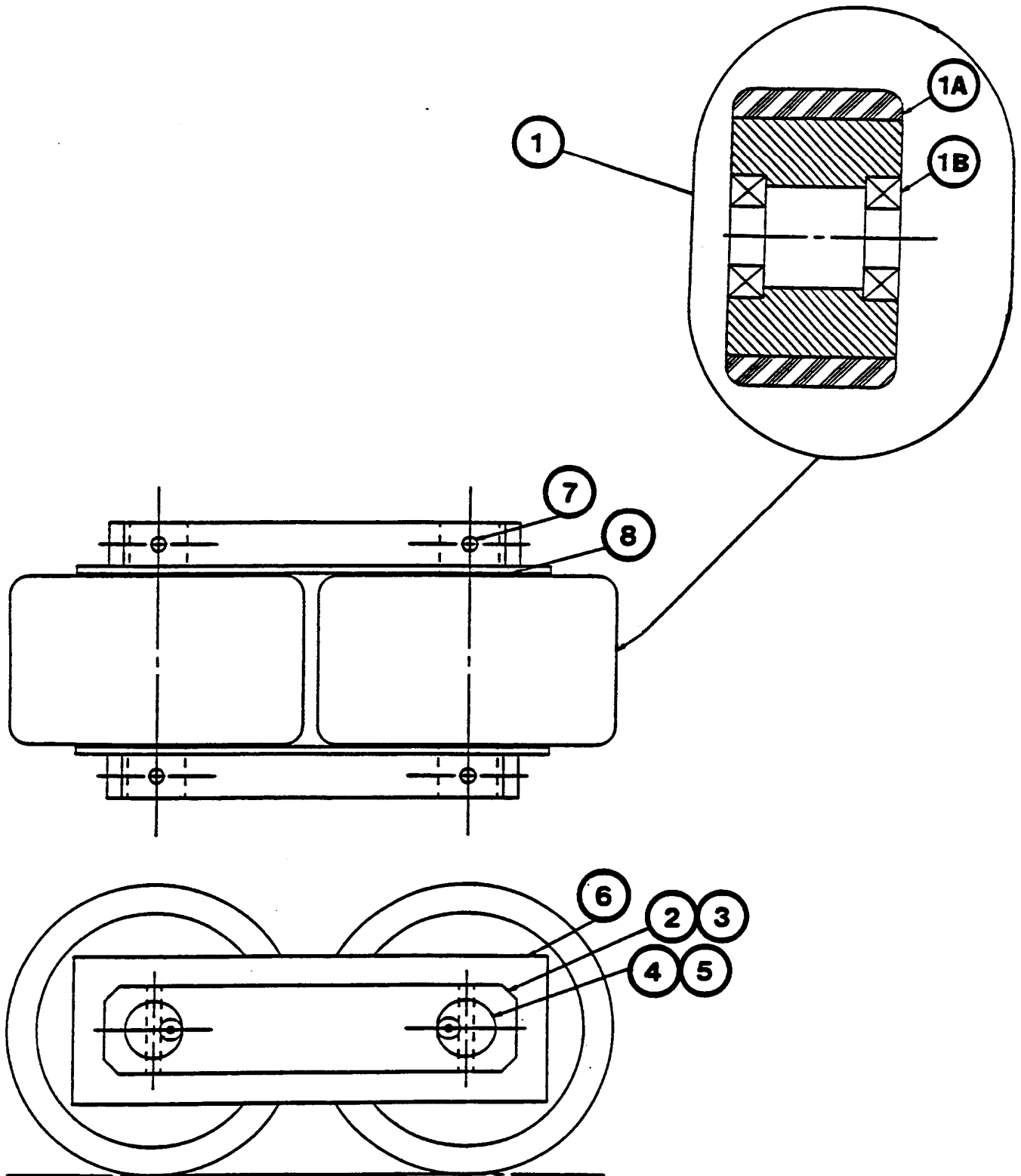
Stretch
Sheet 1 of 3

HOSE AND CABLE INSTALLATION
Figure 137-003-035/ thru 036/ (D)



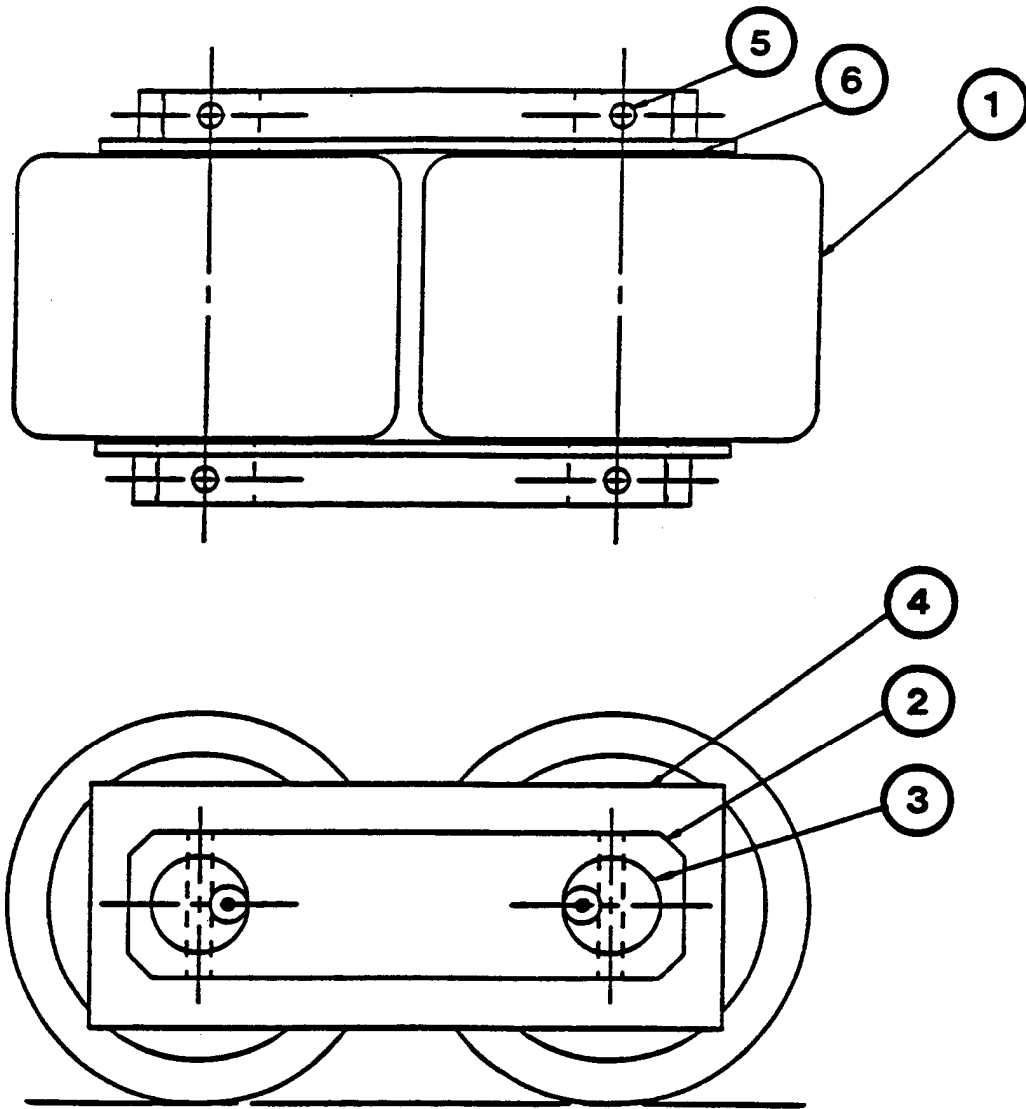
Model 31 S/N 17326 and Up
Model 21 S/N 6227 and Up
Model 20 S/N 33798 and Up
Deep Reach
Sheet 3 of 3

HOSE AND CABLE INSTALLATION
Figure 828-003-886/ thru 890/ (C)



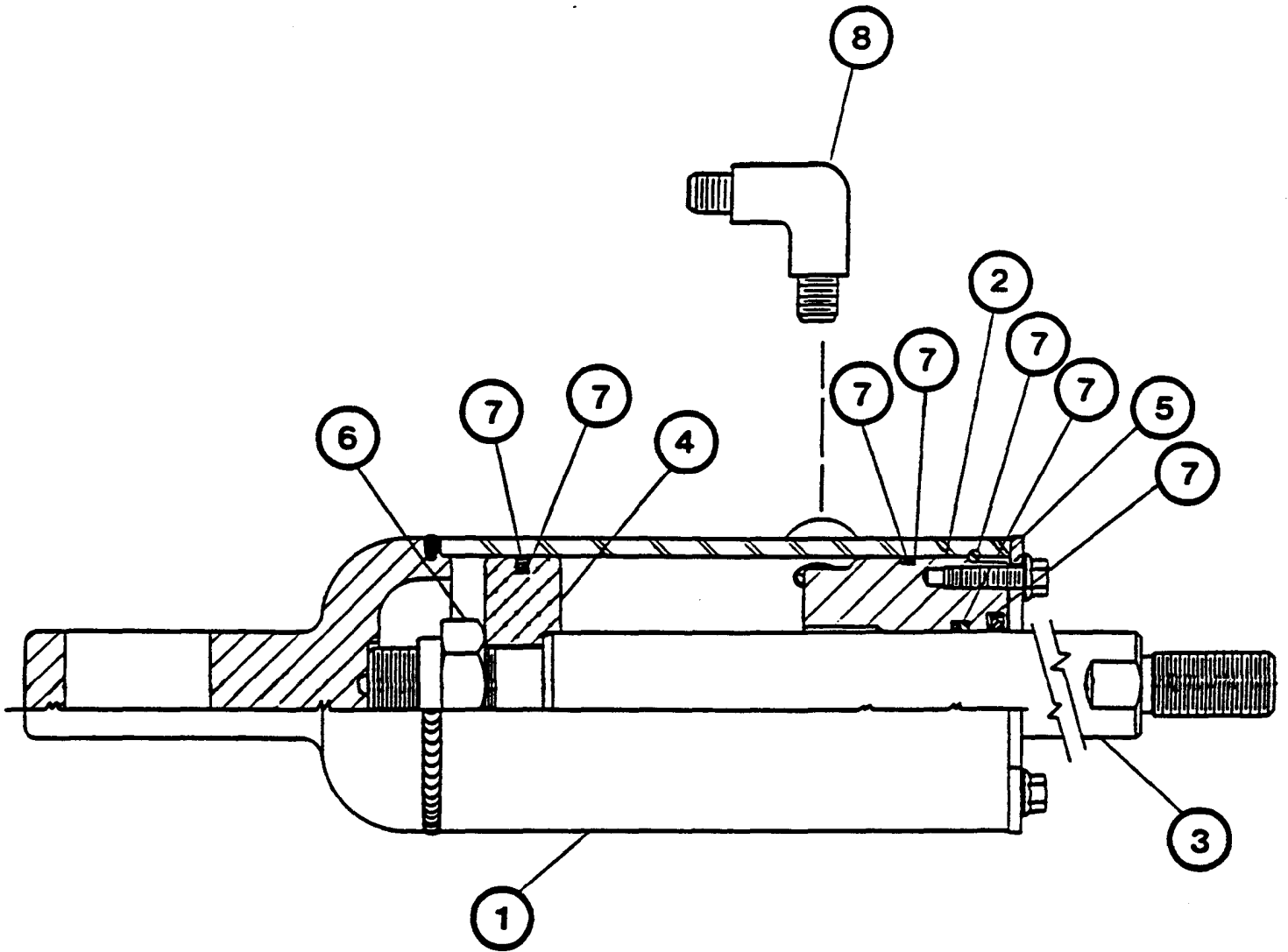
5" x 2 7/8"

LOAD WHEEL ASSEMBLY
Figure 625-001-628/ (B)



Stretch
6" X 4"

LOAD WHEEL ASSEMBLY
Figure 625-001-647/ (A)



POWER TILT CYLINDER
Figure 485-000-000/200 (L)

THE RAYMOND CORPORATION

LOAD WHEEL ASSEMBLY/INSTALLATION

Figure 623-010-158 (E)

Figure 623-010-159 (E)

Page 6272
EAS/ REACH

D8

<u>Item No.</u>	<u>Qty.</u>	<u>Part Number</u>	<u>Description</u>
	1	623-010-158	Complete Load Wheel Kit (R.H.)
	1	623-010-159	Complete Load Wheel Kit (L.H.)
1	2	623-010-126	Load Wheel Assembly
2	2	441-127	Bearing
3	1	632-032/001	Load Wheel (Poly)
4	2	623-010-139	Spacer
5	2	623-010-140	Carrier Plate
6	2	623-010-167/002	Axle Assembly
7	1	623-010-138/002	Axle
8	1	841-111	Grease Fitting
9	1	623-010-160	Outer Plate Assembly (R.H.)
10	1	623-010-169	Inner Plate Assembly (L.H.)
11	1	623-010-161	Inner Plate Assembly (R.H.)
12	1	623-010-168	Outer Plate Assembly (L.H.)
14	1	714-195	Soc. Hd. Set Screw 1/2-20 x 1
15	2	716-025	Soc. Hd. Shoulder Screw (3/4 Dia. x 3 1/2 lg. Shld. 5/8-18 x 7/8 thread)
16	2	760-243	Locknut 5/8-11
17	AR	771-033	Spacer
18	1	773-025	Hi-Collar Lockwasher 1/2
19	4	810-761	Spiral Pin 1/4 x 1 1/2

THE RAYMOND CORPORATION

LOAD WHEEL ASSEMBLY/INSTALLATION

Figure 623-010-175 (E)

Figure 623-010-176 (E)

E4

Page 6282
EAS/ REACH

<u>Item No.</u>	<u>Qty.</u>	<u>Part Number</u>	<u>Description</u>
	1	623-010-175	Complete Load Wheel Kit (R.H.)
	1	623-010-176	Complete Load Wheel Kit (L.H.)
1	2	623-010-108	Spacer
2	2	623-010-154	Carrier Plate
3	2	623-010-167/002	Axle Assembly
4	1	623-010-138/002	Axle
5	1	841-111	Grease Fitting
6	1	623-010-177	Outer Plate Assembly (R.H.)
7	1	623-010-180	Inner Plate Assembly (L.H.)
8	1	623-101-178	Inner Plate Assembly (R.H.)
9	1	623-010-179	Outer Plate Assembly (L.H.)
11	2	623-011-002	Load Wheel Assembly: Includes
12	2	441-130	Bearing
13	1	633-052/001	Load Wheel
14	1	714-195	Soc. Hd. Set Screw 1/2-20 x 1
15	2	716-025	Soc. Hd. Shld. Screw 3/4 Dia. x 3 1/2 lg. 5/8-11 x 7/8 lg. thd.
16	2	760-243	Lock Nut 5/8-11
17	2	771-033	Spacer
18	2	773-025	Hi-Collar Lockwasher 1/2
19	2	810-761	Spirol Pin 1/4 x 1 1/2

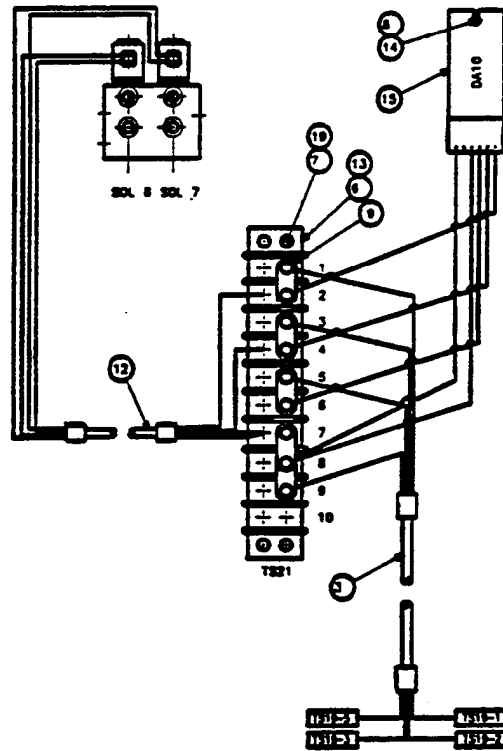
THE RAYMOND CORPORATION

BACK CYLINDER ASSEMBLY
Figure 137-003-003/ (A)

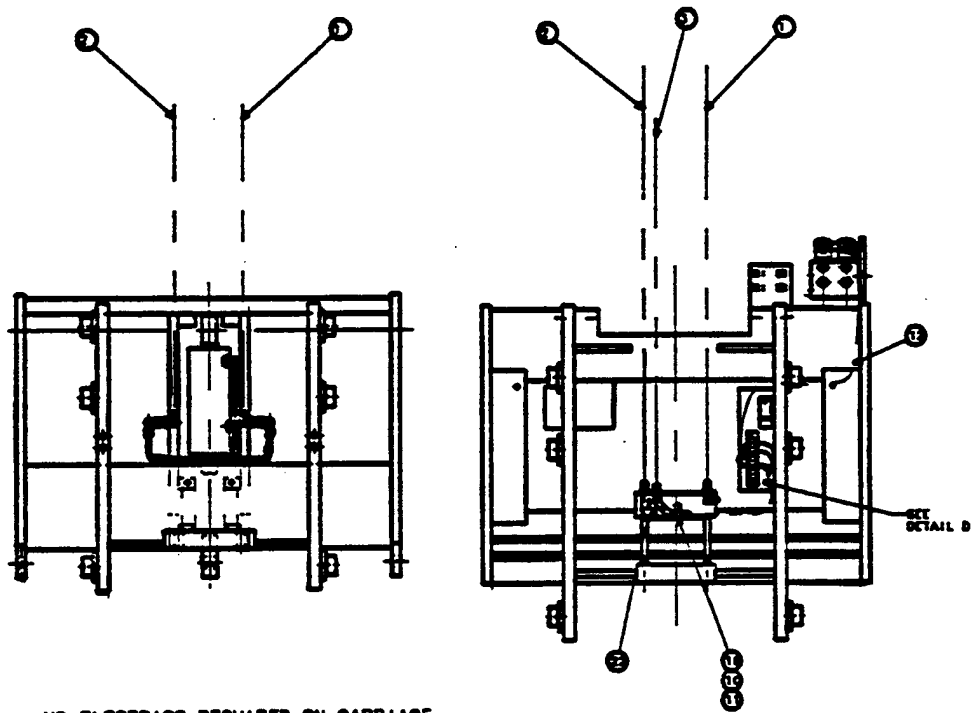
Page 6292
EAS/ REACH

E14

<u>Item No.</u>	<u>Qty.</u>	<u>Part Number</u>	<u>Description</u>
1	1	137-003-023/	Back Cylinder Weldment
2	1	137-003-020/	Piston Back Weld.
3	1	714-017	Hex Soc. Bd. Hd. Screw #10-24 x 1/4
4	1	830-151	Spring
5	1	780-004-110	Piston Lowering Cushion
6	1	530-633	Oil Seal
7	1	780-004-100	Retainer Ring
8	1	810-028	Snap Ring
9	1	715-033	Cap Screw
10	1	632-007-020	Adapter Cyl. Packing
11	1	530-728	Seal
12	1	734-555-036	Back-Up Ring Packing
13	2	810-074	Snap Ring
14	1	530-513	Wiper Ring
15	1	810-019	Snap Ring
16	1	520-156/001	Flow Control Valve
17	1	530-409	O-Ring
18	1	154-009-036	Piston End Cap
19	1	531-025	Fiber Gasket



DETAIL D



NO ELECTRICS REQUIRED ON CARRIAGE

VIEW F-F
SINGLE FUNCTION
TILT

VIEW F-F
TWO FUNCTION
TILT & SIDESHIFT

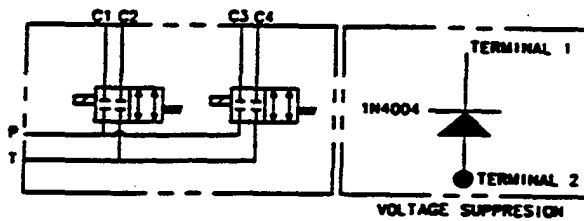
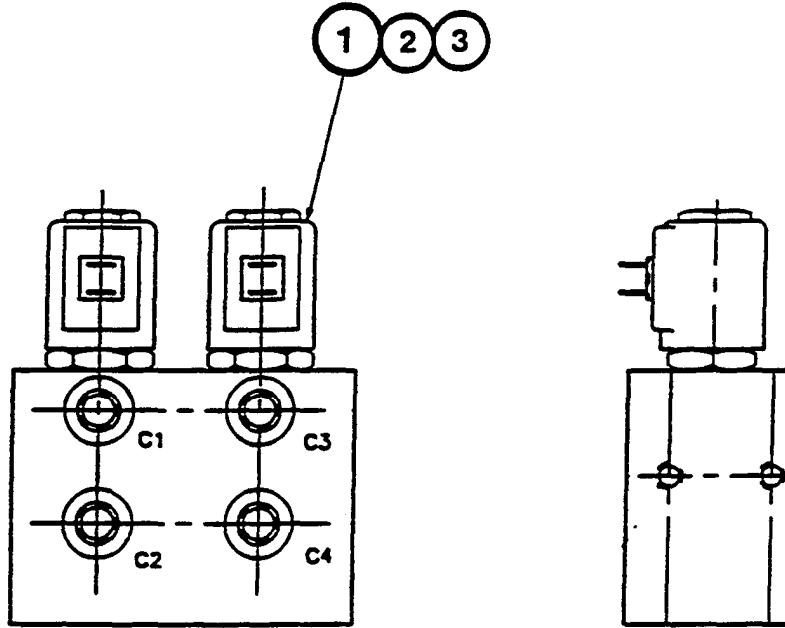
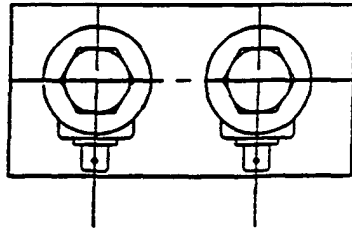
THE RAYMOND CORPORATION

CARRIAGE ASSEMBLY
Figure 828-005-226/

Page 6316
EAS/REACH

Item No.	Qty.	Part Number	Description	Item No.	Qty.	Part Number	Description
1	1	828-005-228/001	Carriage Adapter Weld.	47	1	670-016-041	Manifold
2	1	828-001-315	Fork Carriage Weldment	48	2	715-054	Fl. Hd. Cap Screw 5/16-24 x 1-1/4
3	2	670-016-138	Nut	49	1	828-001-311/002	Line Assembly
4	2	710-253	Hex Hd. Cap Screw 1/2-20 x 2	50	1	828-001-310/002	Line Assembly
5	3	772-115	Lockwasher 1/2	51	1	623-003-010/003	Fork Bar
6	4	448-121	Cam Follower Bearing	52	1	828-001-316	Fork Carriage Weldment
7	2	771-237	Flat Washer 7/8	53	2	464-062	Thrust Washer
8	4	772-030	Lockwasher 7/8	54	2	628-000-266	Roller Assembly
9	4	750-461	Hex Jam Nut 7/8-14	55	1	828-001-322	Guard
10	4	670-016-034	Wear Pad Strip	56	5	701-220	Tr. Hd. Mach. Screw 1/4-20 x 1/2
11	16	715-020	Self-Locking Fl. Hd. Cap Screw 1/4-20 x 5/8	57	1 (REF)	540-056	Cylinder (3" Adjustment)
12	4	841-111	Grease Fitting	58	2	670-003-050/010	P.T. Tube Roller Assembly
13	4	670-016-040	Track Roller Bar	59	1	828-001-311/001	Line Assembly
14	1	670-014-020/010	Torque Arm Weldment - L.H.	60	1	828-001-310/001	Line Assembly
15	1	670-014-030/010	Torque Arm Weldment - R.H.	61	1 (REF)	828-004-564	Solenoid Valve Assembly
16	2	628-000-270	P.T. Roller Shaft	62	2	710-071	Hex Hd. Cap Screw 5/16-18 x 7/8
17	2	628-000-269	P.T. Roller Shaft	63	2	772-119	Lockwasher 5/16
18	2	628-000-271	End Cap	64	AR	625-000-217	Spacer
19	2	714-137	Fl. Soc. Hd. Cap Screw 3/8-16 x 1	65	2	790-007	Male Connector 1/4, 37 Degree
20	2	774-223	Ext. Tooth Lockwasher 7/16	66	1 (REF)	828-000-899/001	Carriage Piping
21	2	828-005-178/001	Chain Anchor	67	1 (REF)	828-000-899/002	Carriage Piping
22	1	628-000-311	Guard				
23	4	726-052	Dog Pt. Shoulder Set Screw 5/16-24 x 1/2				
24	1	623-003-010/001	Fork Bar				
25	1	726-054	Cup Pt. Soc. Hd. Set Screw 3/8-16 x 1				
26	1 (REF)	670-003-120	Cylinder and Linkage Assembly				
27	1	670-003-150	Cylinder Cover				
28	2	702-204	Fl. Hd. Mach. Screw 1/4-20 x 1				
29	2	702-195	Fl. Hd. Mach. Screw 1/4-20 x 1/2				
30	2	670-003-130	Spacer				
31	1	670-003-070/005	P.T. Roller Shaft				
32	1	670-014-020/005	Torque Arm Weldment - L.H.				
33	1	670-014-030/005	Torque Arm Weldment - R.H.				
34	2	670-003-080/005	P.T. Roller Shaft				
35	2	670-003-050/005	P.T. Tube Roller Assembly				
36	1	670-003-090	Link Shaft				
37	1	714-229	Soc.Hd. Cap Screw 1/2-13 x 5				
38	1	750-434	Hex Jam Nut 1/2-13				
39	1 (REF)	540-057	Cylinder (2" Adjustment)				
40	1 (REF)	483-000-000	Cylinder (4" Adjustment)				
41	4	790-407	Male Elbow 1/4 x 1/2-20, 37 Degree Flare				
42	1	670-016-037/002	L.H. Cylinder Pin				
43	1	750-454	Hex Jam Nut 3/4-16				
44	1	860-934	Rod End				
45	1	828-001-277	Cylinder Pointer Pin				
46	4	810-919	Cotter Pin 1/8 x 1-1/4				

P/N	Fork Adjustment	Shift Each Way	W/O Items
001	28.5	4	22, 31-35, 39, 49-52, 57, 67
002	48	4	2, 14-20, 24, 39, 53-55, 57-60, 66
003	28.5	2	22, 31-35, 40, 49-52, 57, 67
004	48	2	2, 14-20, 24, 49, 53-55, 57-60, 66
005	28.5	3	22, 31-35, 39, 40, 49-52, 67
006	48	3	2, 14-20, 24, 39, 40, 53-55, 58-60, 66



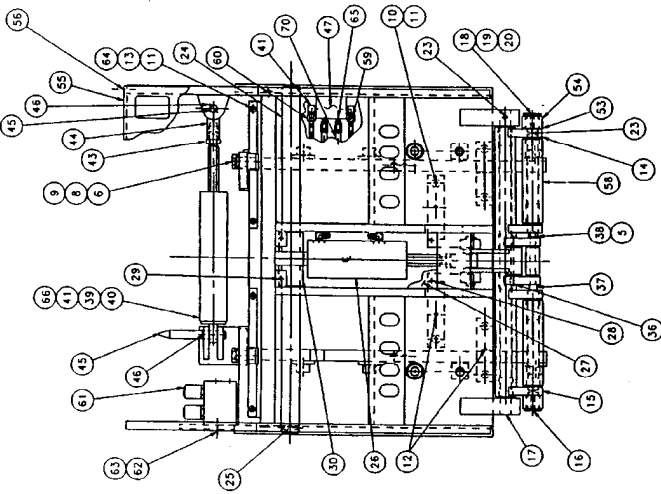
<u>Item No.</u>	<u>Qty.</u>	<u>Part Number</u>	<u>Description</u>
1	2	828-000-627/01	Solenoid Valve: includes
2	1	520-910/01	Cartridge
3	1	520-910/02	Coil

Straddle - TT

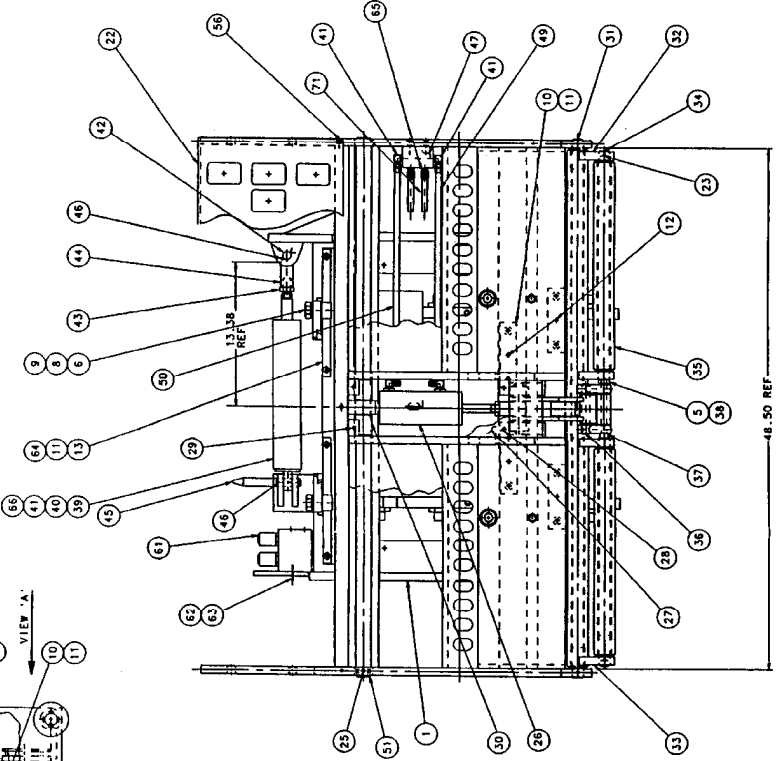
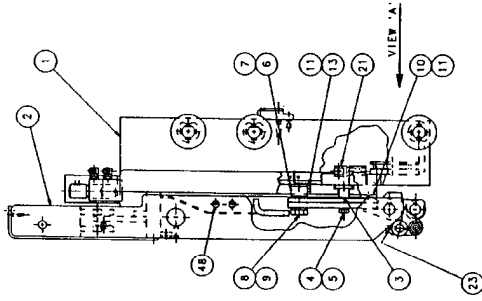
SOLENOID VALVE
Figure 520-877

EAS/ REACH MAST

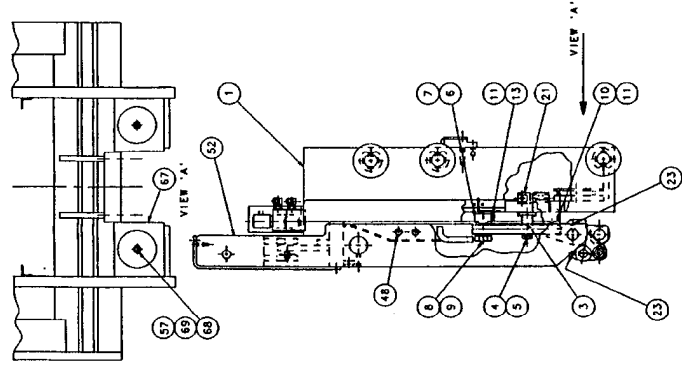
Page 6341
 Added 2/15/95



CARRIAGE WITH 28.50 MAXIMUM FORK ADJUSTMENT SHOWN.



CARRIAGE WITH 48 MAXIMUM FORK ADJUSTMENT SHOWN



3000/4000# Straddle W/
 Power Tilt and Sideshift
 Nominal

CARRIAGE ASSEMBLY
 Figure 828-005-233/

THE RAYMOND CORPORATION

Page 6352 (Cont'd.)
EAS/ REACH

HOSE AND CABLE INSTALLATION
Figure 828-004-441 / thru 443/ (2)

OACH	HOSE & CABLE LENGTHS		
	ITEM #1	ITEM #2	ITEM #3
71	116	112	166
72	118	114	168
73	120	116	170
74	124	118	172
75	126	120	174
76	128	122	176
77	130	124	178
78	132	126	180
79	134	128	182
80	136	130	184
81	138	132	186
82	140	134	188
83	142	136	190
84	144	138	192
85	146	140	194
86	148	142	196
87	150	144	198
88	152	146	200
89	154	148	202
90	156	150	204
91	158	152	206
92	160	154	208
93	162	156	210
94	164	158	212
95	166	160	214
96	168	162	216
97	170	164	218
98	172	166	220
99	174	168	222
100	176	170	224
101	178	172	226
102	180	174	228
103	182	176	230
104	184	178	232
105	186	180	234
106	188	182	236
107	190	184	238
108	192	186	240
109	194	188	242
110	196	190	246
111	198	192	248
112	200	194	250
113	202	196	252
114	204	198	254
115	206	200	256
116	208	202	258
117	210	204	260
118	212	206	262
119	214	208	264
120	216	210	266

OACH	HOSE & CABLE LENGTHS		
	ITEM #1	ITEM #2	ITEM #3
121	218	212	268
122	220	214	270
123	222	216	272
124	224	218	274
125	226	220	276
126	228	222	278
127	230	224	280
128	232	226	282
129	234	228	284
130	236	230	286
131	238	232	288
132	240	234	290
133	242	236	292
134	244	238	294
135	246	240	296
136	248	242	298
137	250	244	300
138	252	246	302
139	254	248	304
140	256	250	306
141	258	252	308
142	260	254	310
143	262	256	312
144	264	258	314
145	266	260	316
146	268	262	318

828-000-845/XXX

SEE TABLES
FOR HOSE LENGTH

828-005-234/XXX

SEE TABLES
FOR CABLE LENGTH

HOSE LENGTH FORMULA: (TAKEN TO THE NEAREST INCH.)

$$\#1 = 2 \times \text{OACH} - 24$$

$$\#2 = 2 \times \text{OACH} - 30$$

CABLE LENGTH FORMULA:

$$\#3 = 2 \times \text{OACH} + 26$$

11/1/96

DATE	PAGE NO.	DESCRIPTION OF CHANGE	SOURCE DWG.
		EZ-A-96-05604, ET-B-96-03333, ES-B-96-03336, DT-B-96-03373, DS-B-96-03342	
		Item 11: Change P/N to 810-491	
		Item 34: Change P/N to 828-005-982	
10/31/96	619	Revision Changed to (G) Revision Changed to (E) starting with S/N Breaks:	132-932-___ (F) 132-938-___ (D)
		EZ-A-96-05604, ET-B-96-03333, ES-B-96-03336, DT-B-96-03373, DS-B-96-03342	
		Item 23: Change P/N to 828-005-982	
		Item 34: Change P/N to 810-491	
10/31/96	619.2	Revision Changed to (D)	132-951-___ (C)
		Item 39: Change P/N to 828-004-428/	
		Item 70: Change P/N to 828-004-428/	
10/31/96	619.2	Replace P/N/132-951-___ (D) with 132-956-___ starting with S/N Breaks:	132-951-___ (D)
		EZ-A-95-02986, ET-B-95-01560, DS-B-95-01580	
		Item 39: Change P/N to 828-005-410/	
		Item 40: Change P/N to 828-005-411/	
		Item 41: Change P/N to 828-005-412/	
		Item 70: Change P/N to 828-005-410/1XX	
		Item 72: Change P/N to 828-005-411/1XX	
		Item 73: Change P/N to 828-005-412/1XX	
		Item 77: Change P/N to 828-005-412/2XX	
		Item 78: Change P/N to 828-005-412/3XX	
11/1/96	619.2	Revision Changed to (A) starting with S/N Breaks:	132-956-___
		EZ-A-96-05604, ET-B-96-03333, ES-B-96-03336, DT-B-96-03373, DS-B-96-03342	
		Item 23: Change P/N to 828-005-982	
		Item 34: Change P/N to 810-491	
11/1/96	625	Revision Changed to (B) starting with S/N Breaks:	132-940-___ (A)
		EZ-A-96-05604, ET-B-96-03333, ES-B-96-03336, DT-B-96-03373, DS-B-96-03342	
		Item 23 : Change P/N to 828-005-982	
		Item 34: Change P/N to 810-491	
11/1/96	625.1	Replace P/N 132-944-___ with 132-952-___ starting with S/N Breaks:	132-944-___

CLICK HERE TO **DOWNLOAD** THE COMPLETE MANUAL

- Thank you very much for reading the preview of the manual.
- You can download the complete manual from: www.heydownloads.com by clicking the link below



- Please note: If there is no response to CLICKING the link, please download this PDF first and then click on it.

CLICK HERE TO **DOWNLOAD** THE COMPLETE MANUAL