

**MODEL 20 - TRACTOR
RESISTOR & SCR
PARTS CATALOG**

S/N 13600 THRU 20999

**PDPM-0082
DATED 6/18/80**

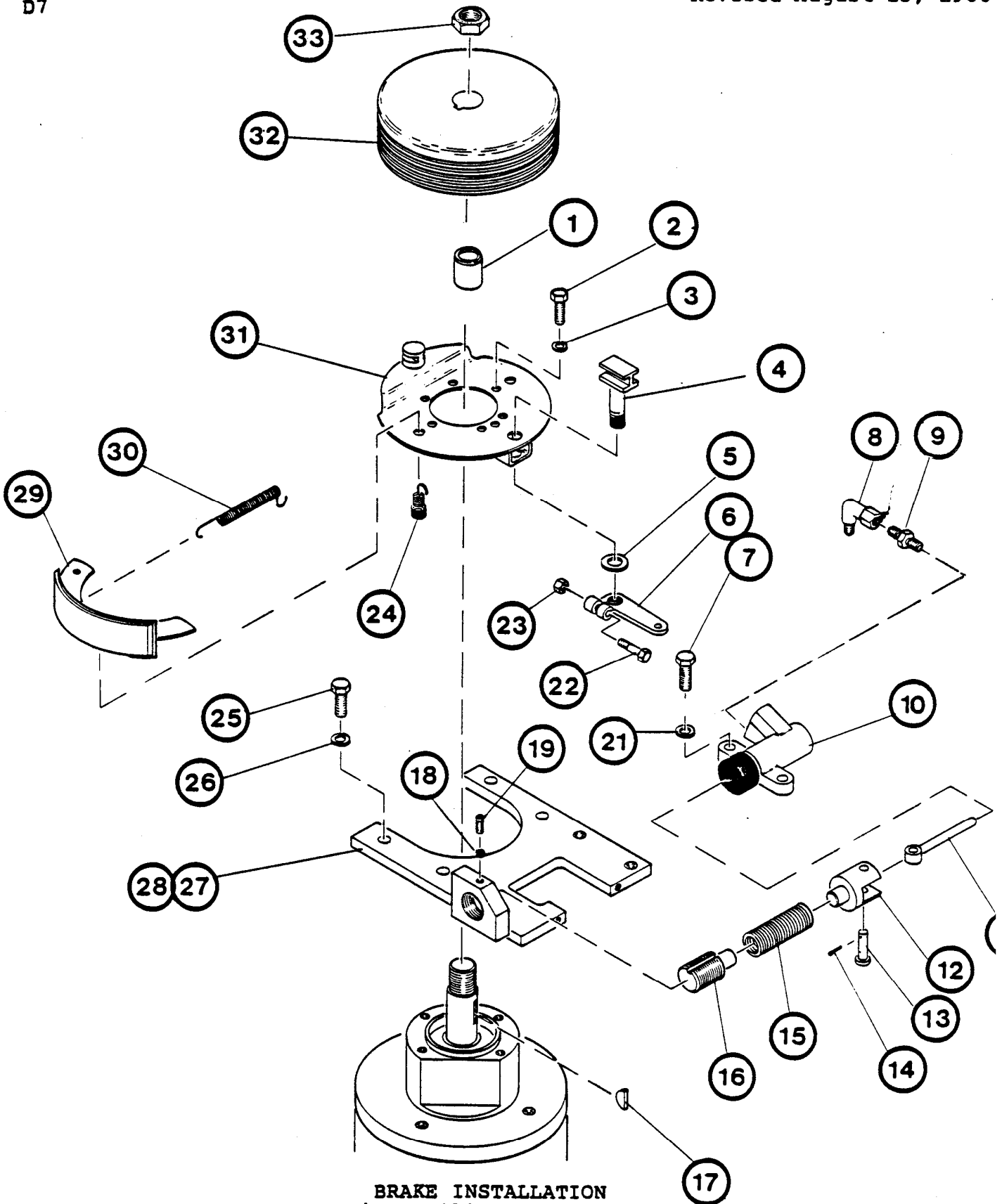
CLICK HERE TO **DOWNLOAD** THE COMPLETE MANUAL

- Thank you very much for reading the preview of the manual.
- You can download the complete manual from: www.heydownloads.com by clicking the link below



- Please note: If there is no response to CLICKING the link, please download this PDF first and then click on it.

CLICK HERE TO **DOWNLOAD** THE COMPLETE MANUAL



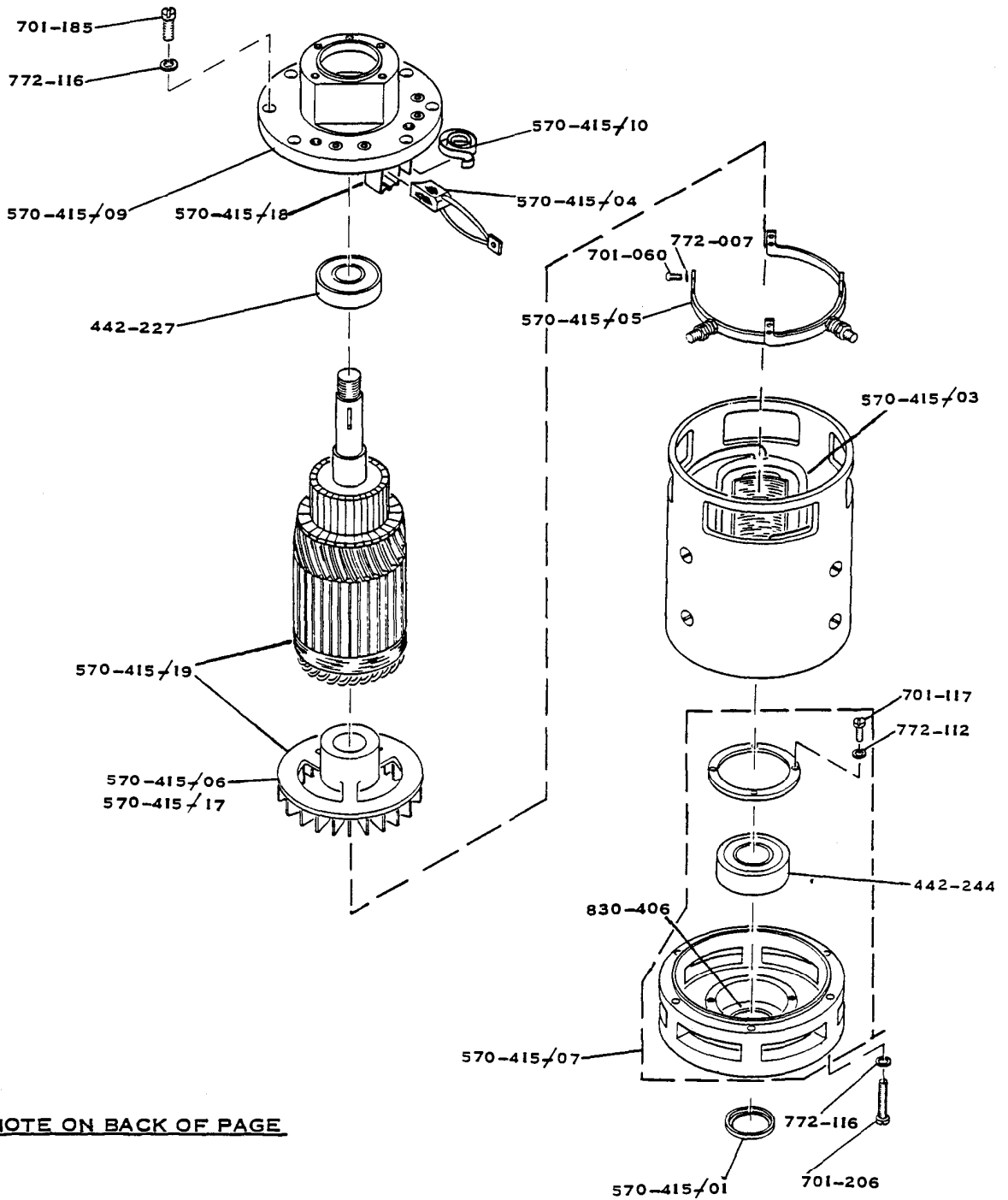
BRAKE INSTALLATION
Figure 812-002-602 (G)

MODEL 20 (812) DRIVE UNIT SECTION

Customer Page 3-7

PARTS MANUAL

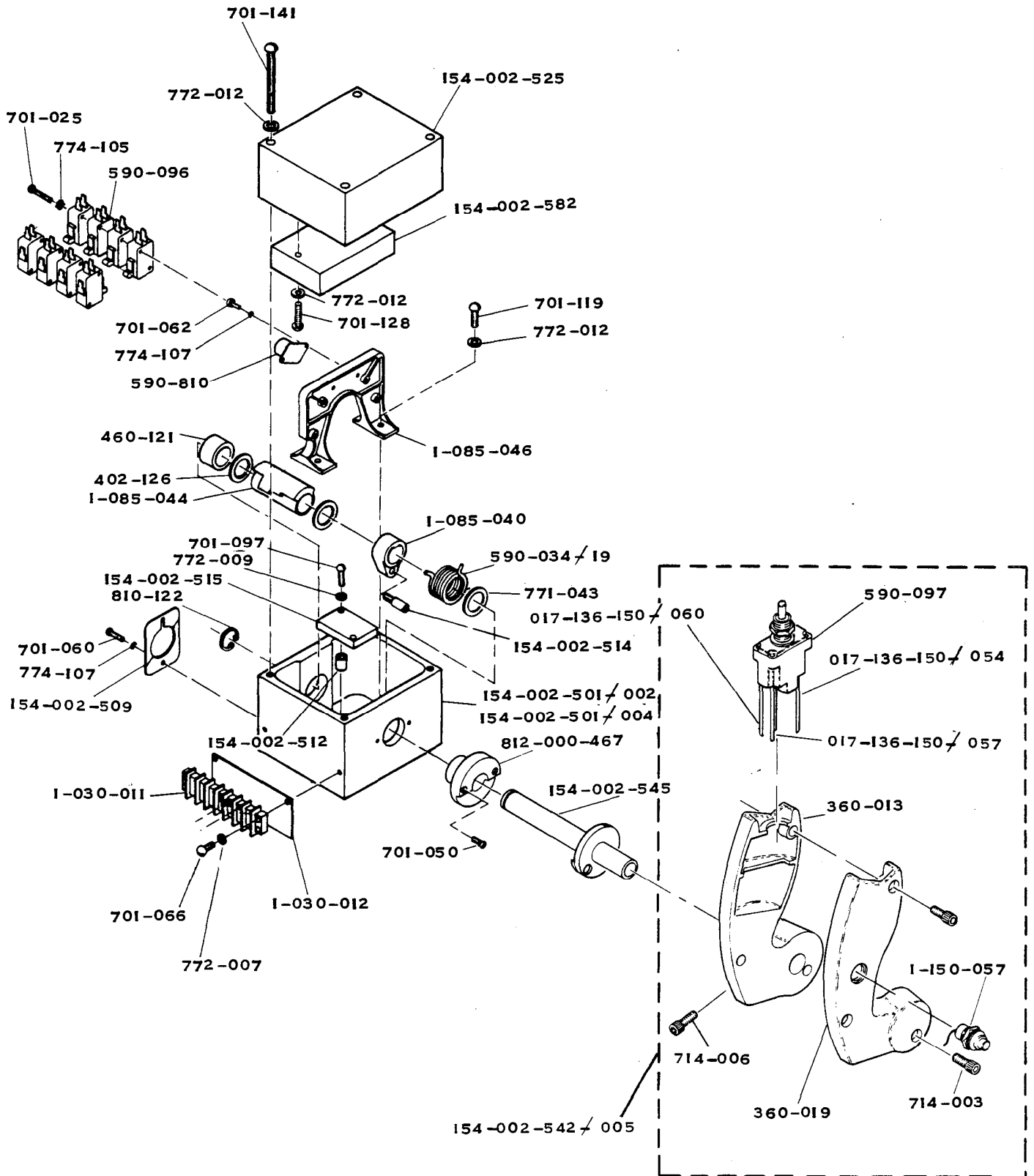
Master page D7-A1
Revised February 15, 1979



SEE NOTE ON BACK OF PAGE

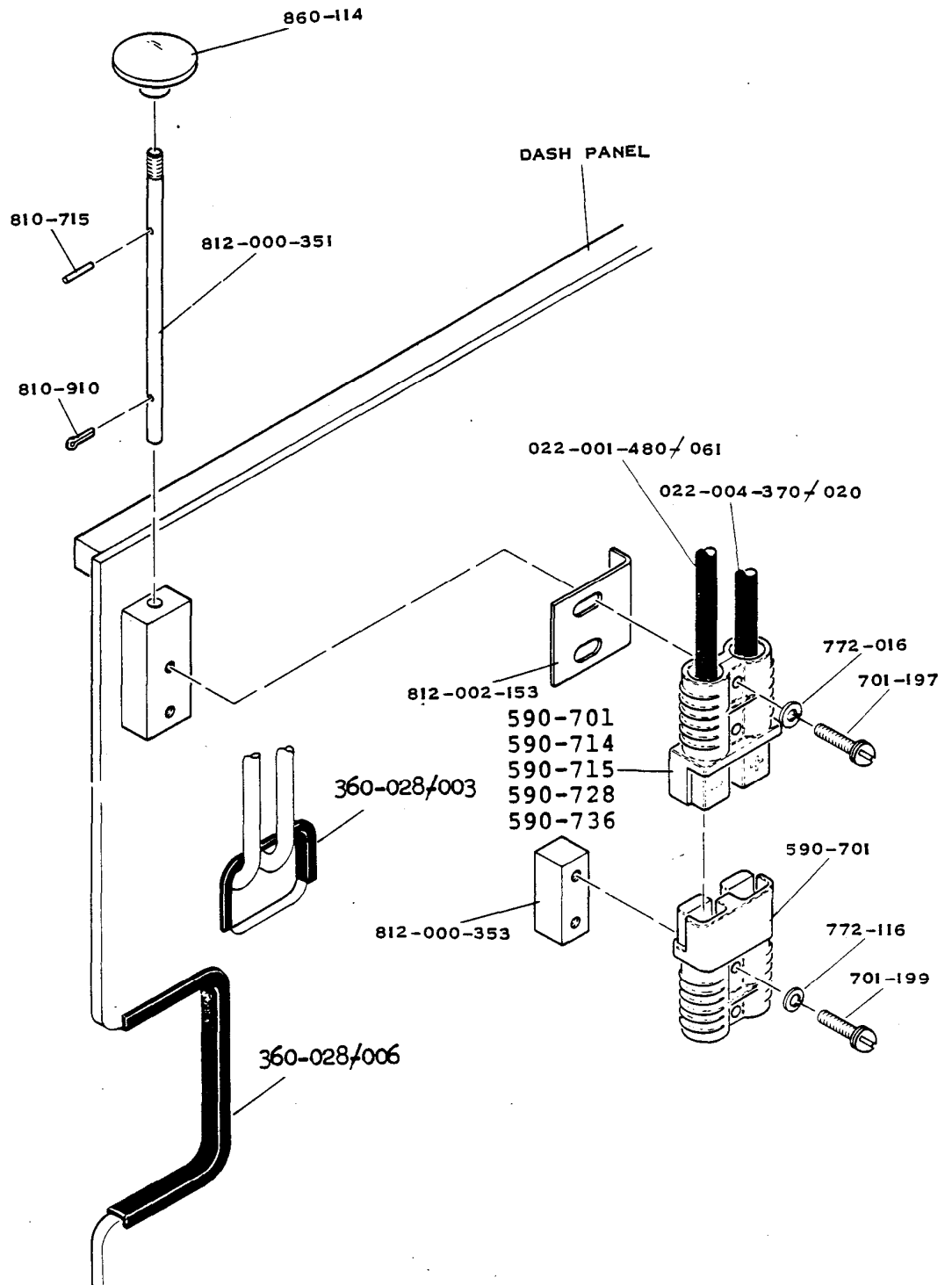
PRESTOLITE
LONG FRAME

DRIVE MOTOR
FIGURE 570-415/200



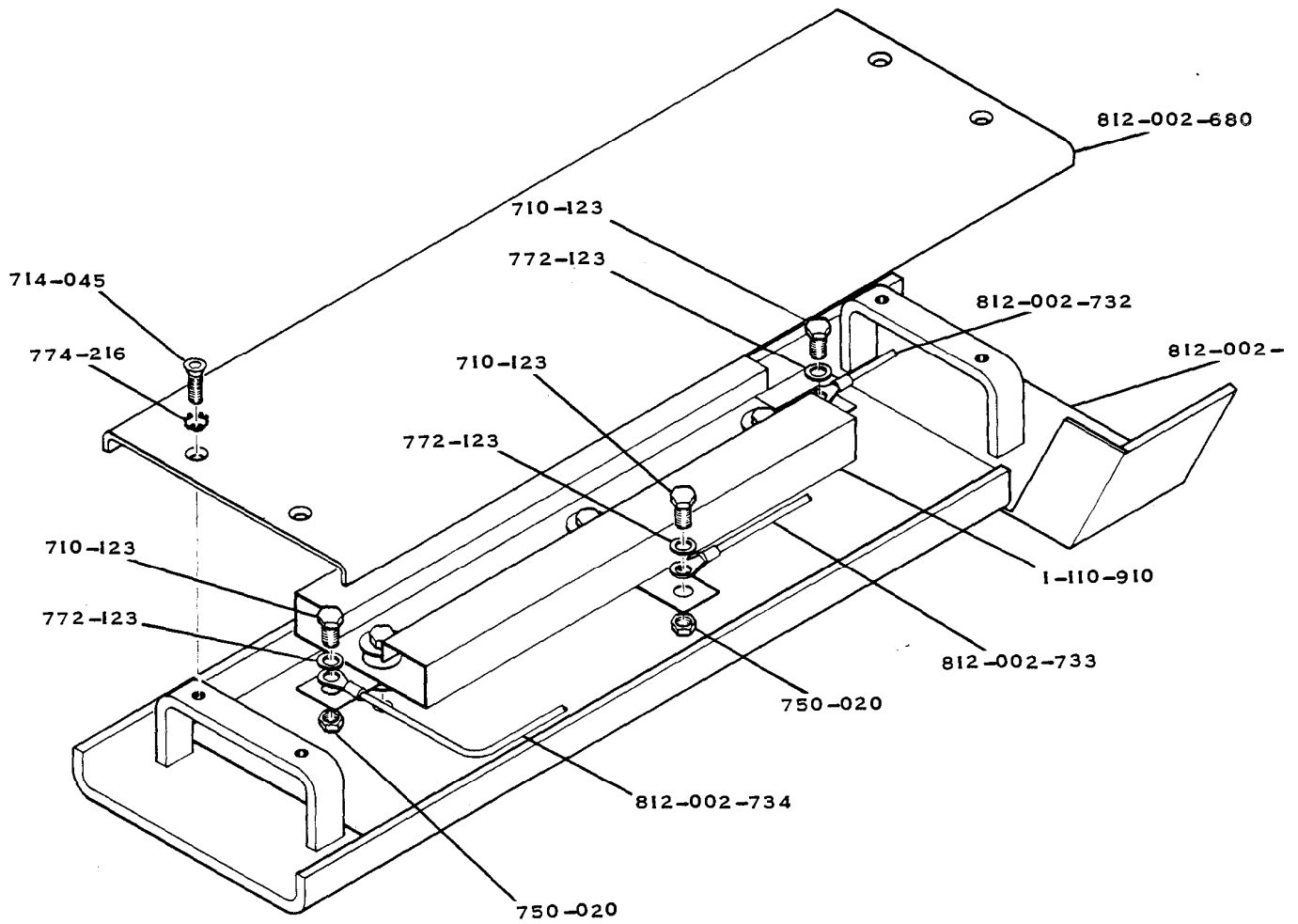
RESISTOR

CONTROLLER ASSEMBLY
FIGURE 154-002-520 / _ _ _ (P)



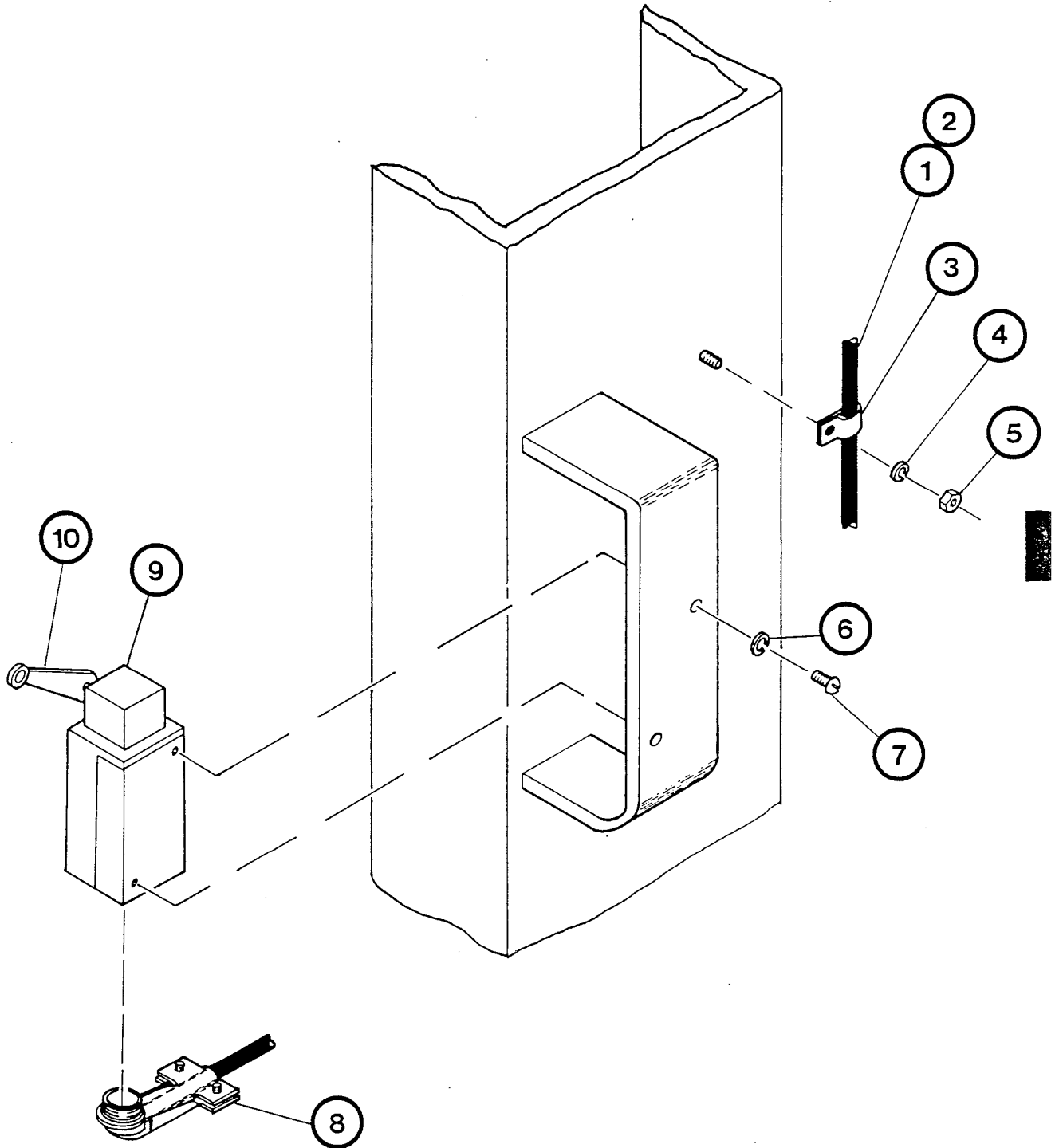
BATTERY CONNECTOR INSTALLATION

FIGURE 154-005-039 (A)



RESISTOR AND COVER

FIGURE 812-002-735



20" and 24" high
speed cut out

LIMIT SWITCH INSTALLATION
Figure 821-001-2387_ _ _

THE RAYMOND CORPORATION

Customer Page 4-64
Master Page E32-B1
MODEL 20

WORKING LIGHTS INSTALLATION
Figure 154-007-258

<u>Raymond Part Number</u>	<u>Part Name</u>	<u>No. Req'd.</u>
154-001-071	Light Bracket	1
154-007-137	Switch Assembly (S30)	1
017-160-060/398	Wire Assembly	1
017-160-060/399	Wire Assembly	1
1-012-060/01	Connector	1
1-150-105/01	Switch - Module	1
*1-150-106/03	Adapter	1
*1-150-107/01	Cap Lens	1
154-007-256/001	Cable Assy.(use on mast install.)	1
154-007-256/002	Cable Assy.(use on overhead guard installation)	1
600-219	Bushing (use on mast install.)	1
600-220	Ring (use on mast install.)	1
611-029	Strap Ty-Rap	AR
670-019-034	Stop (used w/tilting backrest)	1
710-008	Hex Hd.Cap Sc. 1/4-20 x 5/8	2
771-116	Fl. Washer 1/4	2
811-303	Clamp	AR
*701-058	Rd.Hd.Mach.Sc.#6-32 x 1/4	AR
812-002-021	Light Assembly	AR
1-012-057/02	Pin Housing	1
1-012-041	Pin	2
591-454	Light (24V)	1
591-454/01	Bulb - Sealed Beam	1
611-024	Heat Shrink Tubing	1
812-003-067	Sleeve (use on mast install.)	2

*Not illustrated. Used in conjunction with preceding part number.

CLICK HERE TO **DOWNLOAD** THE COMPLETE MANUAL

- Thank you very much for reading the preview of the manual.
- You can download the complete manual from: www.heydownloads.com by clicking the link below



- Please note: If there is no response to CLICKING the link, please download this PDF first and then click on it.

CLICK HERE TO **DOWNLOAD** THE COMPLETE MANUAL

THE RAYMOND CORPORATIONCONTACTOR ASSEMBLY
Figure 1-150-054

Customer Page 4-74

Master Page C2-C4

MODEL 20

<u>Item No.</u>	<u>Part Number</u>	<u>Part Name</u>	<u>Quantity</u>
1	750-008	Nut, 10-32 x 3/8 x 1/8 Hex.	1
2	771-112	Washer #10	9
3	772-112	Washer #10 Split St. Lock	9
4	1-105-054/02	Washer - Non-Metallic	1
5	1-105-061/04	Bushing	1
6	702-089	Screw 8-32 x 7/16 Fl.Hd.St.	2
7	774-209	Washer No. 8 Ext. Lock	2
8	701-384	Screw 8-32 x 1-1/4 Rd. Hd.	2
9	772-104	Washer No. 8 Split Lock	2
10	771-109	Washer No. 8	2
11	1-105-061/05	Bridge Guide	2
12	1-105-061/03	Bushing	1
13	1-105-061/12	Washer - Metallic	AR
14	710-067	Screw	2
15	772-119	Washer 5/16 Split, Lock	2
16	702-091	Screw 8-32 x 1/2 Fl.Hd.	4
17	1-105-061/01	Insulation	1
18	1-105-061/06	Insulation Assy	1
19	1-105-061/02	Insulation	1
20	1-105-021/02	Detent	1
21	1-105-054/10	Movable Core & Rod Assy	1
22	1-105-054/07	Return Spring	1
23	701-418	Screw 10-32 x 1/2 Bd.Hd.	8
24	1-105-071/03	Insulating Clip	1
25	1-105-054/04	Coil (24)	1
26	1-105-021/17	Washer Non-Metallic	1
27	1-105-054/05	Contactors Service kit (includes)	1
		Main Spring Contact	1
		Mov. Bridge Assy	1
		Buss Bar Assy.	2

THE RAYMOND CORPORATION

Customer Page 4-84

CONTACTOR ASSEMBLY
FIGURE I-105-007/1-105-012

Master page C2-C1
Model 20

<u>RAYMOND PART NUMBER</u>	<u>PART NAME</u>	<u>No. Req'd.</u>
**1-105-007/01	BUSS BAR ASSEMBLY	2
1-105-007/02	DETENT	1
1-105-007/03	INSULATION	1
1-105-007/04	INSULATION	1
1-105-007/05	RETURN SPRING	1
1-105-007/06	NON-METALLIC WASHER	1
1-105-007/07	INSULATOR ASSEMBLY	1
1-105-007/08	WASHER - NON-METALLIC	1
1-105-007/09	MOV. CORE AND ROD ASSEMBLY	1
1-105-007/10	COIL ASSEMBLY - 36V	1
1-105-011/15	INSULATING CLIP	2
1-105-012/01	COIL ASSEMBLY - 24V	1
1-105-021/04	BUSHING	1
1-105-021/05	BUSHING	1
**1-105-021/06	MAIN CONTACT SPRING	1
**1-105-021/09	MOV. BRIDGE ASSEMBLY	1
1-105-037/03	BRIDGE GUIDE	2
1-105-061/12	METALLIC WASHER	AR
701-075	RD. HD. SC. 6-32 X 1	2
701-330	PAN HD. ST. SC. 8-32 X 7/16	8
702-062	FL. HD. SC. 6-32 X 3/8	2
702-091	FL. HD. SC. 8-32 X 1/2	4
710-007	HEX HD. SC. 1/4-28 X 1/2	2
750-008	HEX NUT 10-32 X 3/8	1
771-107	WASHER #6	2
771-109	WASHER #8	8
771-112	WASHER #10	1
772-104	LOCKWASHER #8	8
772-107	LOCKWASHER #6	2
772-112	LOCKWASHER #10	1
772-116	LOCKWASHER 1/4	2
774-207	WASHER #6	2
1-105-007/11	CONTACTOR SERVICE KIT: INCLUDES	1
1-105-007/01	BUSS BAR ASSEMBLY	1
1-105-021/06	MAIN CONTACT SPRING	1
1-105-021/09	MOVABLE BRIDGE ASSEMBLY	1

**THESE PARTS MAY BE ORDERED IN KIT FORM ONLY.

THE RAYMOND CORPORATION

Customer Page 5-4
Master page H2-M1
MODEL 20

HYDRAULIC SYSTEM
FIGURE 812-003-037

<u>RAYMOND PART NUMBER</u>	<u>PART NAME</u>	<u>No. Req'd.</u>
030-106-011 / 108	HOSE ASSEMBLY	1
030-108-012 / 114	HOSE ASSEMBLY	1
030-108-026 / 515	HOSE ASSEMBLY	1
030-108-028 / 314	HOSE ASSEMBLY	1
030-505-016 / 333	HOSE ASSEMBLY	1
030-506-035 / 034	HOSE ASSEMBLY	1
030-908-019 / 011	HOSE ASSEMBLY	1
030-908-039 / 011	HOSE ASSEMBLY	1
124-000-277	LINE ASSEMBLY	1
124-000-278	LINE ASSEMBLY	1
124-000-279 / 001	LINE ASSEMBLY (FOR 14-3/4 BATT.COMPT. ONLY)	1
124-000-279 / 002	LINE ASSEMBLY (FOR 12-3/8 BATT.COMPT. ONLY)	1
790-707	ELBOW	1
811-404	CLAMP	1
*701-088	RD.HD.MACH.SC. 8-32 X 3/8	1
*772-104	LOCKWASHER #8	1
811-705	PIPE STRAP	1
811-710	PIPE STRAP	2
*701-181	RD.HD.MACH.SC. 1/4-28 X 3/8	2
*772-116	LOCKWASHER 1/4	2

*NOT ILLUSTRATED. USED IN CONJUNCTION WITH PRECEDING PART NUMBER.

THE RAYMOND CORPORATION

Customer Page 5-14

SOLENOID VALVE ASSEMBLY
FIGURE 520-443

Master page H4-L1
MODEL 20

<u>RAYMOND PART NUMBER</u>	<u>PART NAME</u>	<u>No. Req'd.</u>
520-406/ 01	COIL - 24V	1
520-409/ 16	SHELL	1
520-432/ 03	SPRING WASHER	1
520-432/ 04	MANUAL RELEASE ASSEMBLY	1
520-432/ 05	TUBE SUB ASSEMBLY	1
520-433/ 01	PLATE	1
520-433/ 02	SPRING	2
520-433/ 04	SPOOL	1
520-433/ 05	BLOCK	1
520-433/ 07	HEX HD. CAP SCREW	4
520-438/ 03	RING	2
520-438/ 05	SLEEVE	1
520-438/ 09	WASHER	1
520-438/ 11	WASHER	1
520-452/ 06	O-RING	4
530-414	O-RING	2
530-467	O-RING	1
530-477	O-RING	1
710-012	HEX HD. CAP SC. 1/4-20 X 7/8	4
772-116	LOCKWASHER 1/4	8

THE RAYMOND CORPORATION

Customer Page 5-22 cont'd
Master Page H10-A4 cont'd
MODEL 20

LIFT PUMP AND MOTOR
Figure 812-002-604 (B)

<u>Raymond Part Number</u>	<u>Part Name</u>	<u>No. Req'd</u>
500-338/10	Seal Repair Kit: includes	1
500-335/06	Check Spring	2
500-338/01	Diaphragm	1
500-338/02	Back-Up Gasket	1
500-338/03	Shaft Seal	1
500-338/06	Diaphragm Seal	1
500-344/05	Protector Gasket	1
850-006	Steel Ball	2

NOTE: If the tag on the Motor or information on the Inspection Report shows the Prestolite Serial # beginning with 6L or higher, and/or if the Commutator End Head Assembly is made of Aluminum (a magnet will not stick), your Lift Motor will be the Short Frame (570-427/201). Otherwise, your truck has the Long Frame (570-427-200) Motor.

THE RAYMOND CORPORATION

Customer Page 5-30
Master page H10-All
MODEL 20

LIFT PUMP AND MOTOR
Figure 812-002-630 (E)

Item No.	Part Number	Part Name	No. Req'd.
1	570-427400	Complete - Motor	1
1A	570-427423	Bolt	3
1B	570-427421	Bracket	1
1C	570-427413	Ball Bearing	1
1D	570-427411	Armature	1
1E	570-427412	Bearing Retainer	1
1F	570-427414	Ball Bearing	1
1G	570-427415	Yoke Assembly	1
1G1	570-427416	Field Coil Assembly	1
1H	570-427424	Terminal kit	2
1J	570-427425	Screw Kit	1
1K	570-427417	Bracket Assembly	1
1K1	570-427418	Brush Holder Assembly	1
1K2	570-427419	Brush	8
1K3	570-427420	Brush Spring	8
1L	570-427422	Bolt - Bracket	4
2	812-002-609	Coupling	1
3	500-342	Pump - complete	1
3A	500-338404	Back Plate Assembly	1
3B	500-338405	Front Plate Assembly	1
3C	500-342401	Idler Gear Assembly	1
3D	500-342402	Drive Gear Assembly	1
3E	500-342403	Body and Dowel Assembly	1
3F	730-042	Hex Hd.Cap Sc. 5/16-28 x 2-1/2	4
3G	500-338410	Seal Repair Kit includes: Check Spring Diaphragm Back-Up Gasket Shaft Seal Diaphragm Seal Protector Seal Steel Ball	1
4	771-123	Flat Washer 3/8	2
5	772-123	Lockwasher 3/8	2
6	710-134	Hex Hd.Cap Sc. 3/8-16 x 1-1/4	2
7	780-112	Elbow	1
8	790-429	Elbow	1
9	782-151	Elbow	1
10	782-822	Seal	1
11	782-042	Nipple	1
12	790-613	Elbow	1
13	810-910	Cotter Pin	2
14	812-002-569	Pin	2
15	750-405	Hex Jam Nut 1/4-28	3
16	710-014	Hex Hd.Cap Sc. 1/4-28 x 3/4	3

THE RAYMOND CORPORATION

Customer Page 5-40

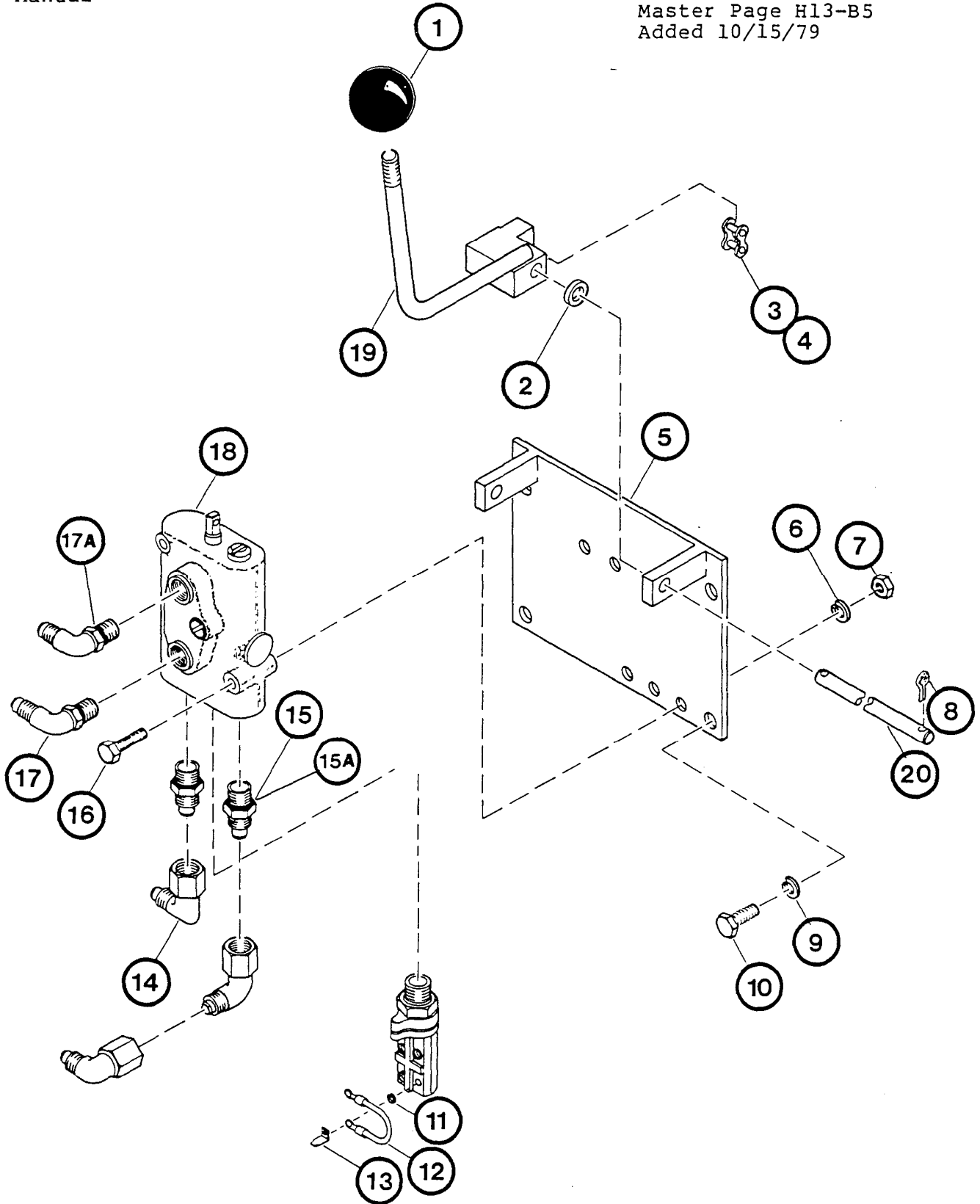
AUXILIARY MOTOR (PORTER)

Master page H10-D2

FIGURE 570-214

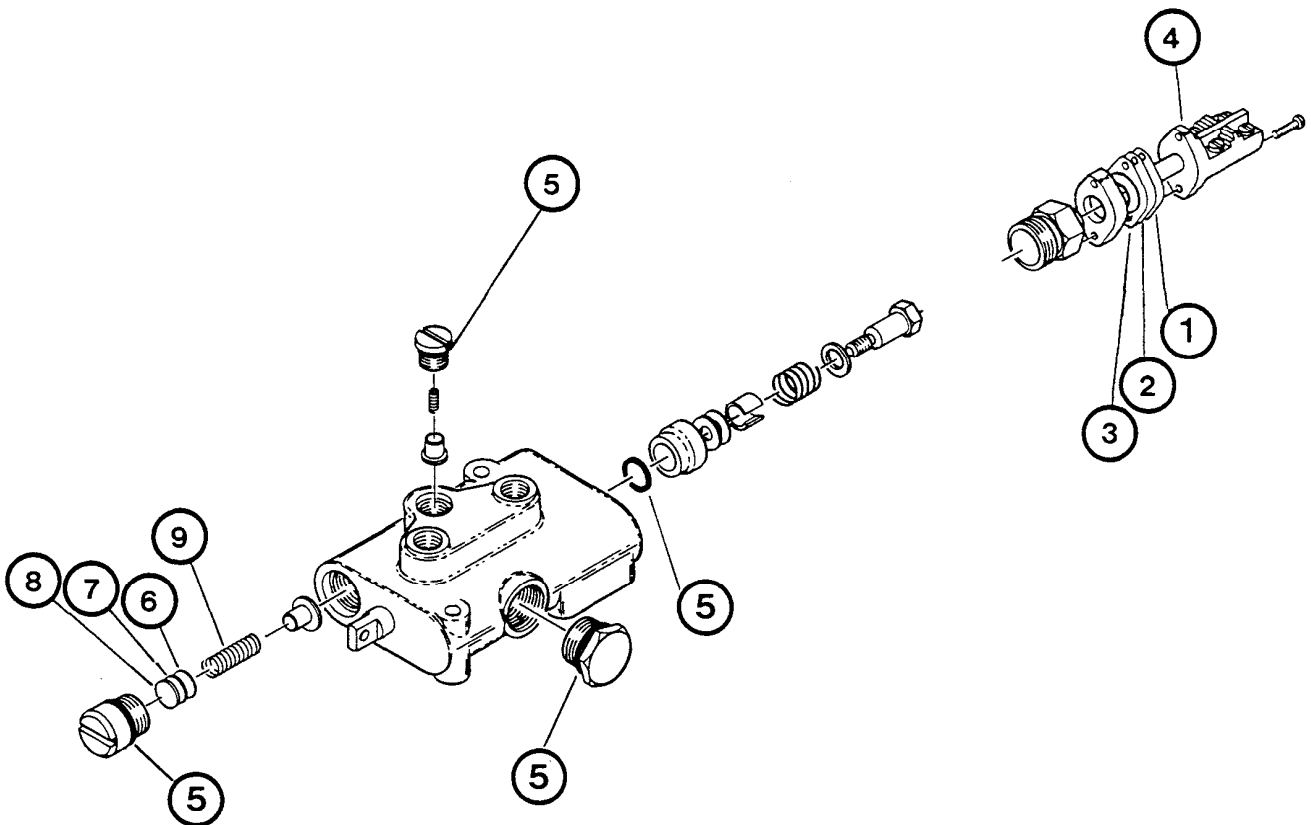
MODEL 20

<u>RAYMOND PART NUMBER</u>	<u>PART NAME</u>	<u>No. Req'd.</u>
442-125	BALL BEARING	2
570-214/ 01	FIELD SHELL ASSY. (INCLUDES MAGNETS)	1
570-214/ 04	ARMATURE ASSEMBLY	1
570-214/ 07	COMMUTATOR HOOD	1
570-214/ 08	FLANGE HOOD	1
570-214/ 10	BRUSH	8
570-214/ 11	BRUSH SPRING	8
570-214/ 12	BRUSH HOLDER + HARNESS ASSEMBLY	1
570-214/ 13	JUMPER ASSEMBLY	2
570-214/ 14	BUTTON Hd. CAP SC. #10-24 X 5/8 (NYLOK)	4
570-214/ 15	INSULATION WASHER	4
570-214/ 16	STUD INSULATOR	2
570-214/ 17	ENCLOSING COVER	1
570-214/ 18	THRU BOLTS	4
570-214/ 20	WELD NUT	4
570-813/ 09	LOAD SPRING - C.E.	1
701-111	RD. HD. MACH. SC. 10-32 X 1/4	8
730-036	HEX HD. BOLT 5/16-18 X 1-1/4	2
760-806	HEX NUT 1/4-20	4
760-813	HEX 5/16-18 (LIGHT SERIES)	4
771-116	FLAT WASHER 1/4 (ZINC PLATE)	2
771-119	LOCKWASHER 5/16 (ZINC PLATE)	2
772-016	LOCKWASHER 1/4	4
772-112	LOCKWASHER #10	12
774-119	LOCKWASHER (EXT. TOOTH) 5/16	2



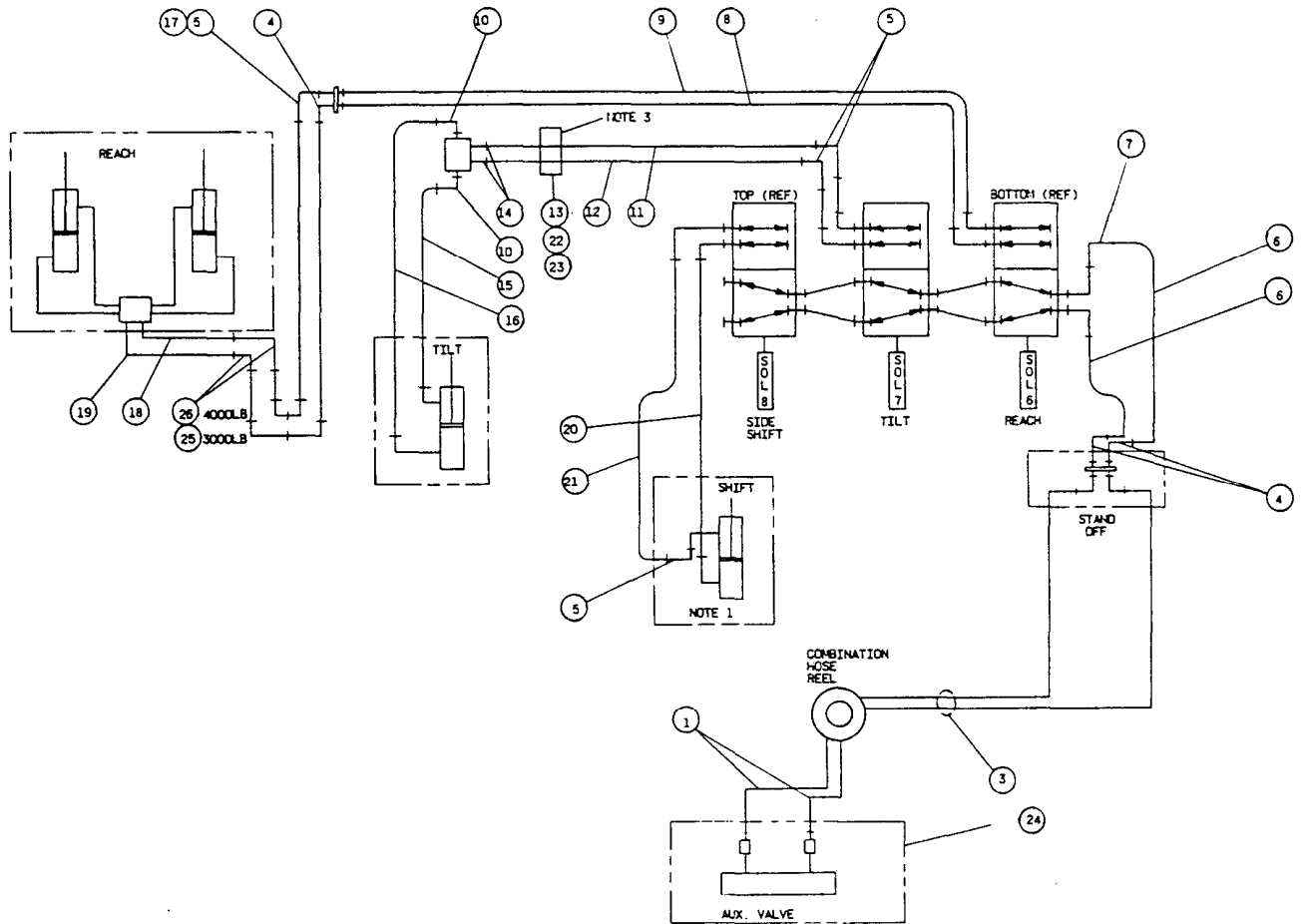
1 Spool Valve

AUXILIARY VALVE INSTALLATION
Figure 812-002-802 (D)



Cessna 520-065
and 520-043

CONTROL VALVE ASSEMBLY
Figure 520-043



Switching Solenoid
Inboard Reel

Hydraulic Supp.
Figure 100-018-978

CLICK HERE TO **DOWNLOAD** THE COMPLETE MANUAL

- Thank you very much for reading the preview of the manual.
- You can download the complete manual from: www.heydownloads.com by clicking the link below



- Please note: If there is no response to CLICKING the link, please download this PDF first and then click on it.

CLICK HERE TO **DOWNLOAD** THE COMPLETE MANUAL