

# PARTS CATALOG

## E485C Mark 9 Crawler Excavator Tier III Non-Regulated

Print No. LS91Z0003 IPI  
9/2013



CLICK HERE TO **DOWNLOAD** THE COMPLETE MANUAL

- Thank you very much for reading the preview of the manual.
- You can download the complete manual from: [www.heydownloads.com](http://www.heydownloads.com) by clicking the link below



- Please note: If there is no response to CLICKING the link, please download this PDF first and then click on it.

CLICK HERE TO **DOWNLOAD** THE COMPLETE MANUAL

---

TABLE OF CONTENTS

---

55.512.AA		RADIO - MOUNTING
55.512.BP	01	CONTROLLER INSTALL
55.512.BP	02	CONTROLLER INSTALL
55.512.BP	03	CONTROLLER INSTALL
55.512.BP	04	CONTROLLER - SUPPORT
55.512.BP	05	CONTROLLER - SUPPORT
55.512.BY		CONTROL PANEL - SWITCHES
55.518.AT		TANK ASSY, WASHER
55.530.AA	01	CAMERA INSTALL, REAR VIEW
55.530.AF		MONITER INSTALL
10.000.00	01	PICTORIAL INDEX - ENGINE
10.000.00	02	PICTORIAL INDEX - ENGINE
10.001.AB	01	CRANKCASE
10.001.AB	02	CYLINDER LINERS
10.001.AD		GASKET KIT - ENGINE
10.001.AK	01	ENGINE MOUNTING - LH
10.001.AK	02	ENGINE MOUNTING - RH
10.101.AA		CYLINDER HEAD
10.101.AB		CYLINDER HEAD - VALVE COVER
10.101.AL		CYLINDER HEAD - VALVE SEATS
10.101.AM		VALVES AND ROCKER ARMS
10.102.AP		ENGINE OIL PAN
10.102.BB	01	TIMING GEAR HOUSING
10.102.BB	02	TIMING GEAR HOUSING - PLUGS
10.103.AA		CRANKSHAFT AND FLYWHEEL
10.103.AK		FLYWHEEL HOUSING
10.105.AB		CONNECTING ROD & PISTON
10.106.AA		CAMSHAFT AND IDLE GEAR
10.114.AB		INJECTION PUMP DRIVE
10.202.AD		AIR CLEANER ASSY
10.202.AH		AIR CHANNEL - AIR CLEANER
10.206.AG	01	FUEL FILTER
10.206.AG	02	FUEL FILTER - LINES
10.206.AG	03	FUEL FILTER
10.210.AF		FUEL LINES
10.210.AO		FUEL PUMP, TRANSFER

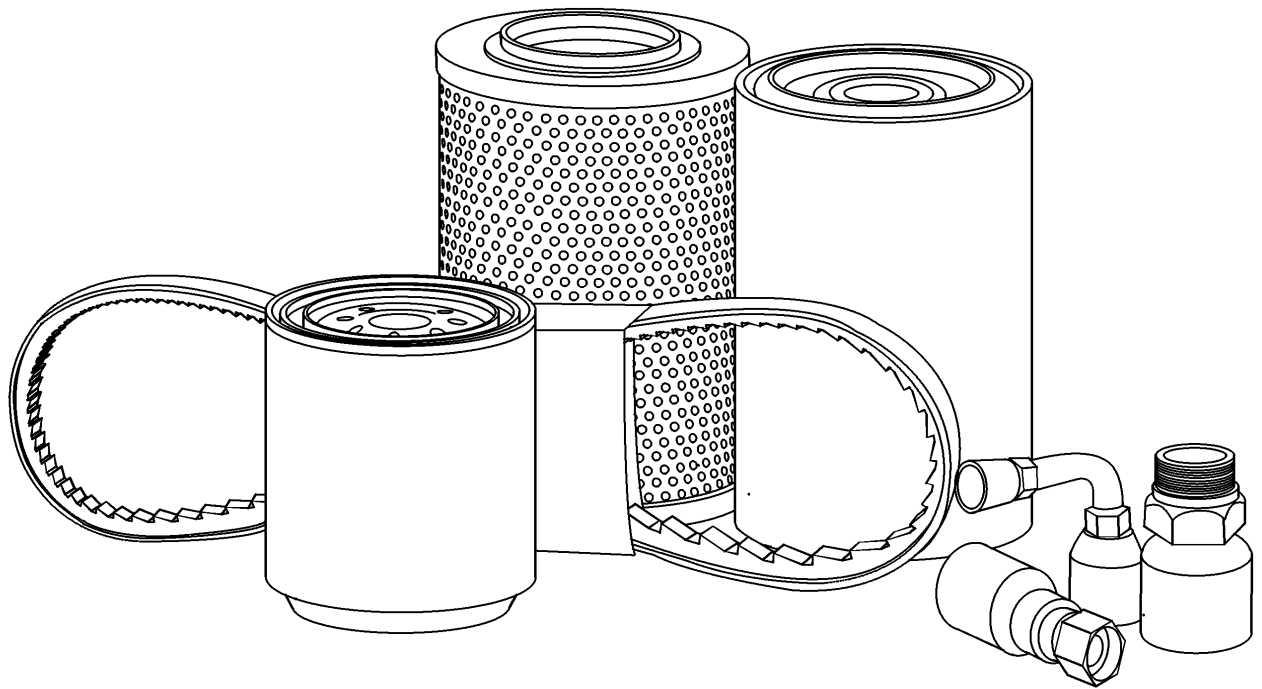
---

## TABLE OF CONTENTS

---

90.160.AX		CAB HEADLINER
90.160.BY	01	CONSOLE - COVERS
90.160.BY	02	CONSOLE - MOUNTING
90.160.BY	03	CONSOLE - PIVOTS
90.160.BY	04	TRIM PANELS - CONSOLE
90.160.BY	05	TRIM PANELS - CONSOLE
90.160.BY	06	SWITCH INSTAL
90.AAA.AA		CATWALK, INSTALL
00.000.00		PICTORIAL INDEX - MAIN SECTIONS
48.100.AD	01	SHOE ASSY (LONG CRAWLER)
48.100.AD	02	SHOE, ASSY (H&W)
48.100.AD	03	SHOE, ASSY (HD)
48.134.AA	01	IDLER ASSY, CRAWLER
48.134.AA	02	IDLER ASSY, CRAWLER
48.138.AB		ROLLER ASSY, TRACK (BASE, H & W)

ISL LIST B



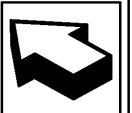
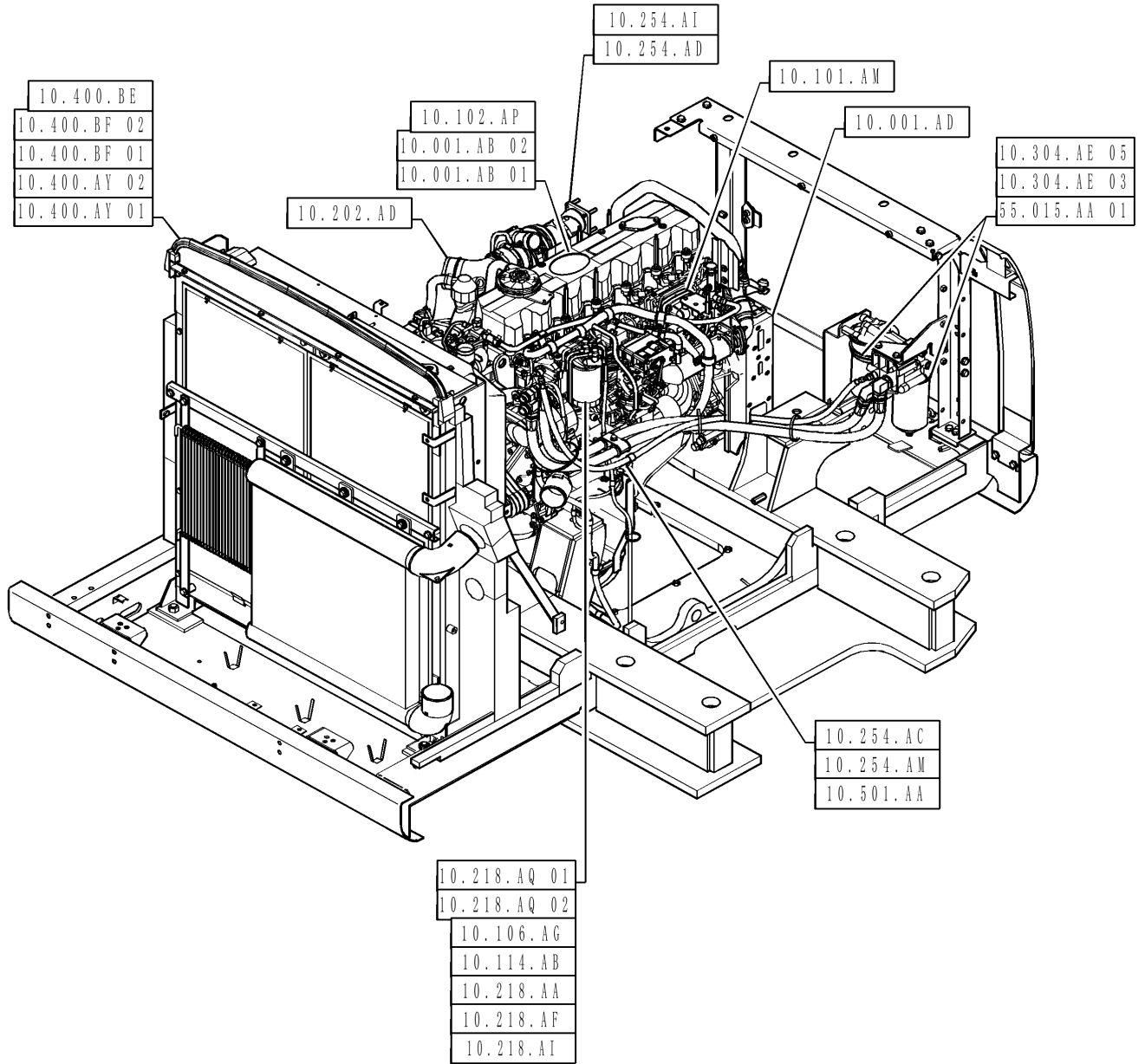
10.000.00

02

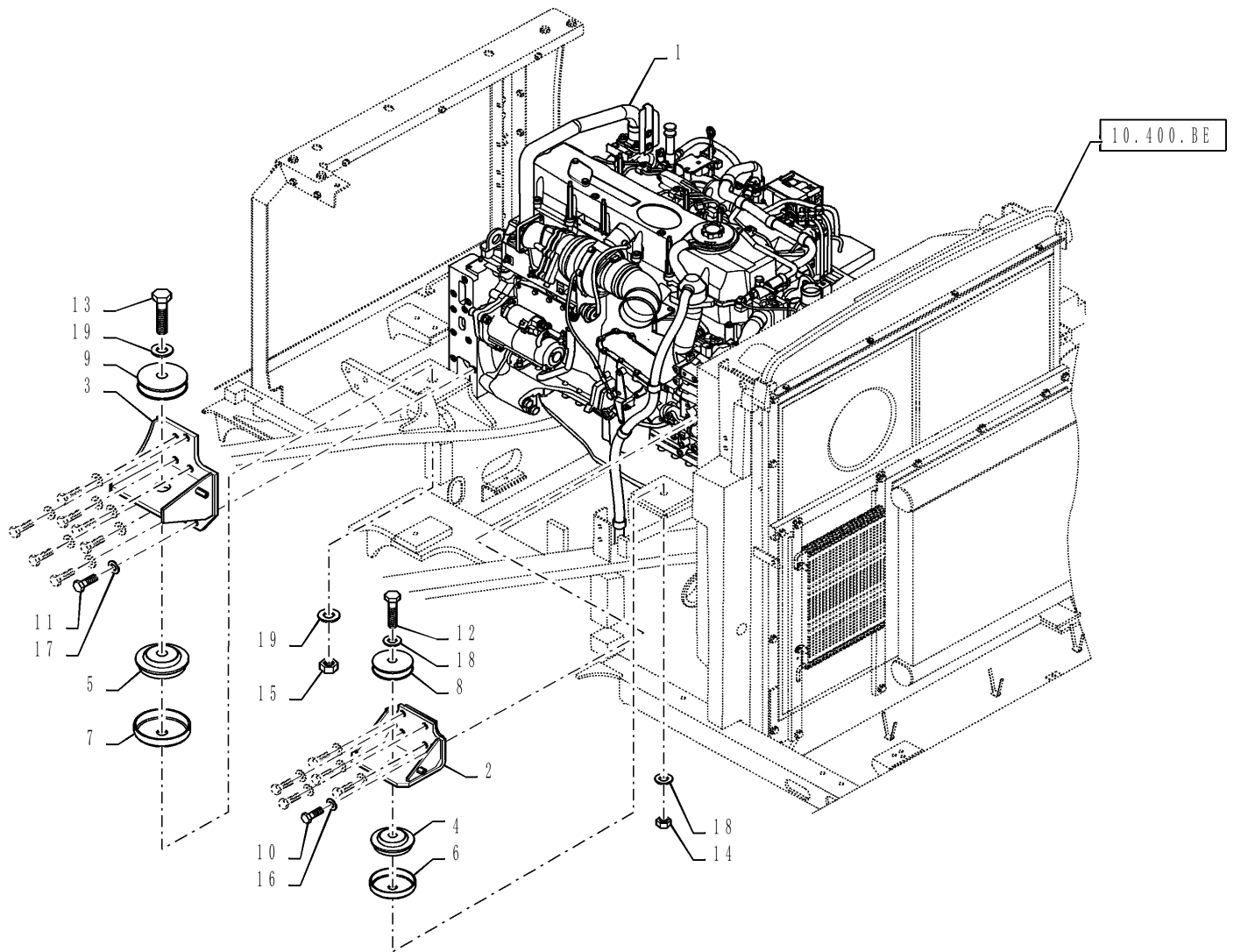
p1

9/2013

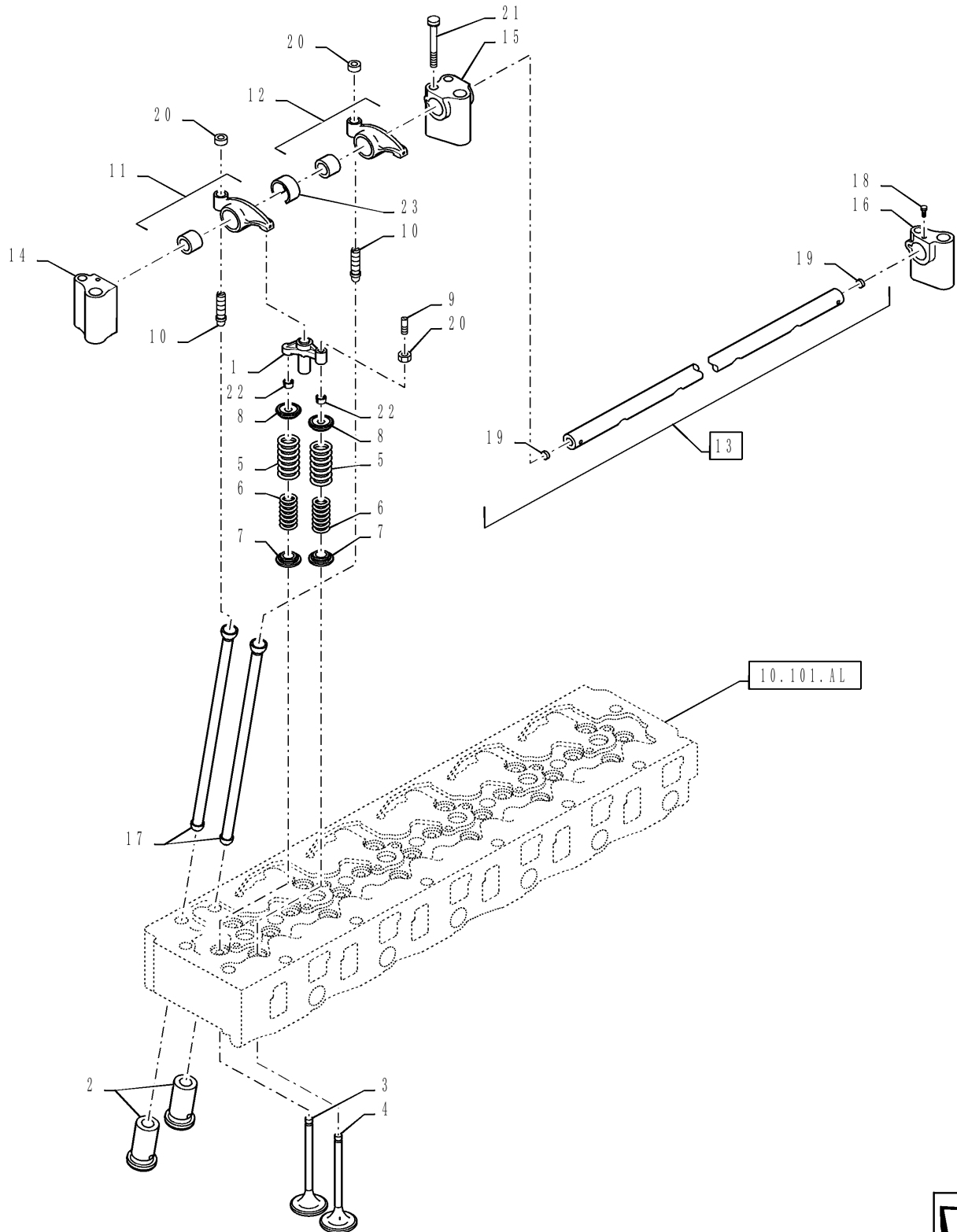
PICTORIAL INDEX - ENGINE



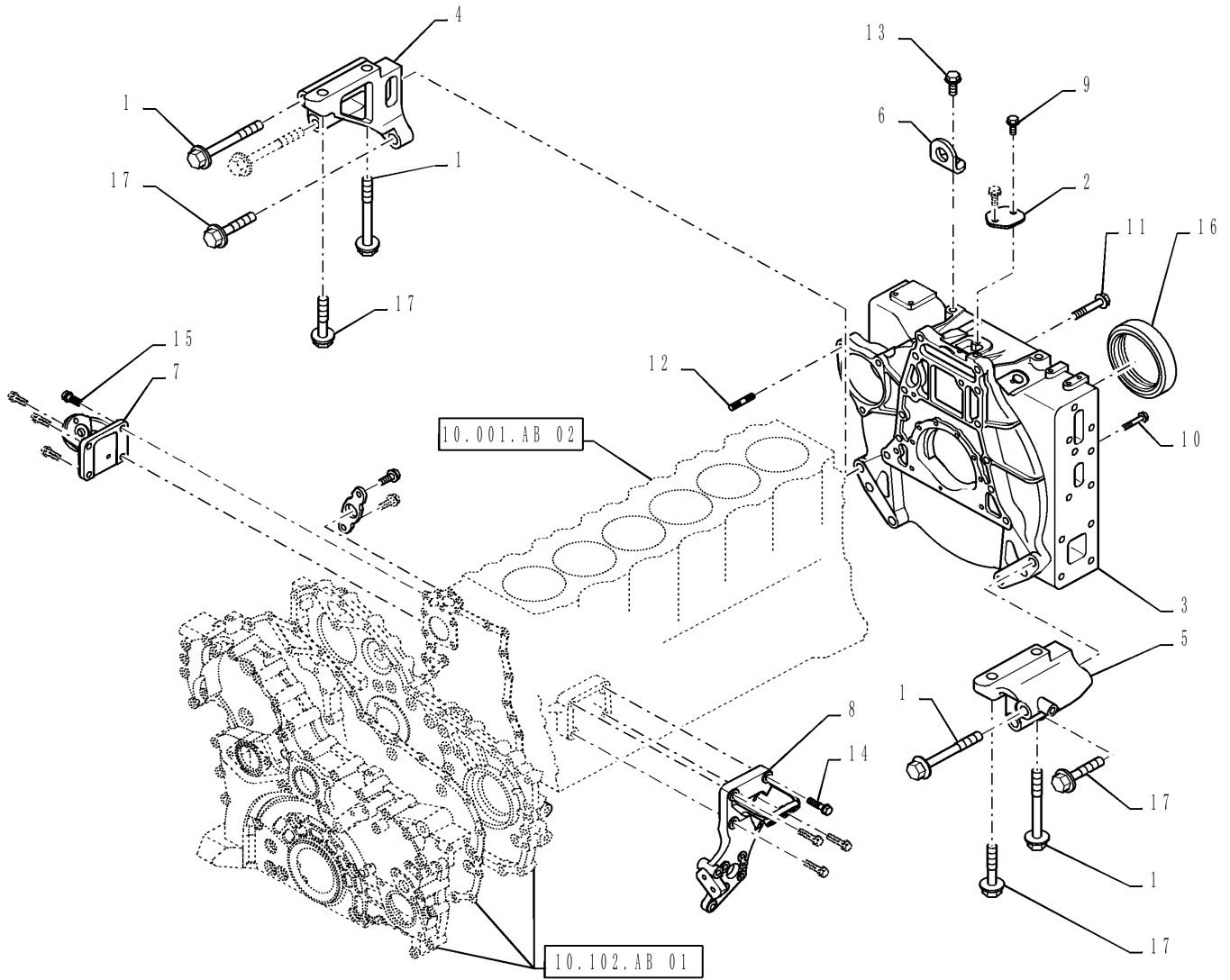
ENGINE MOUNTING - LH



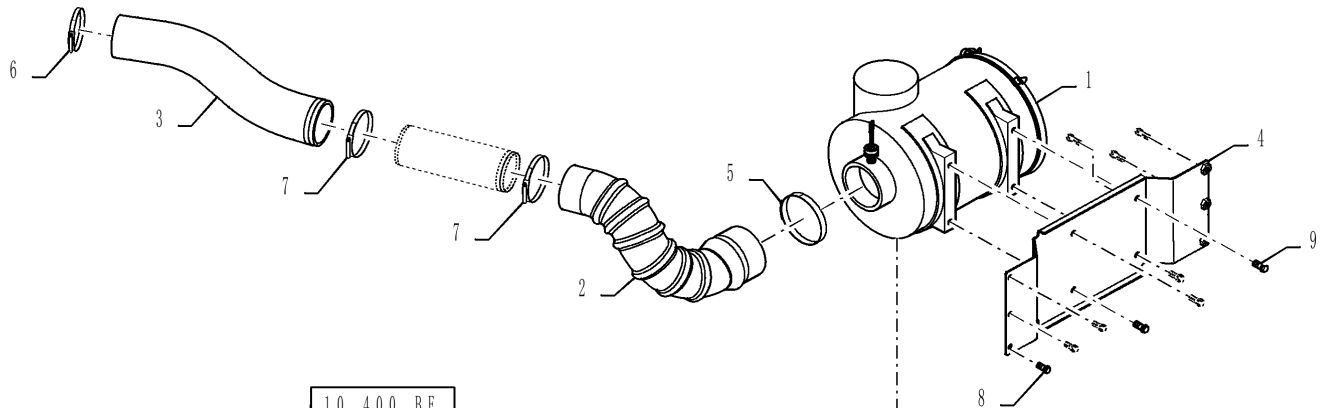
VALVES AND ROCKER ARMS



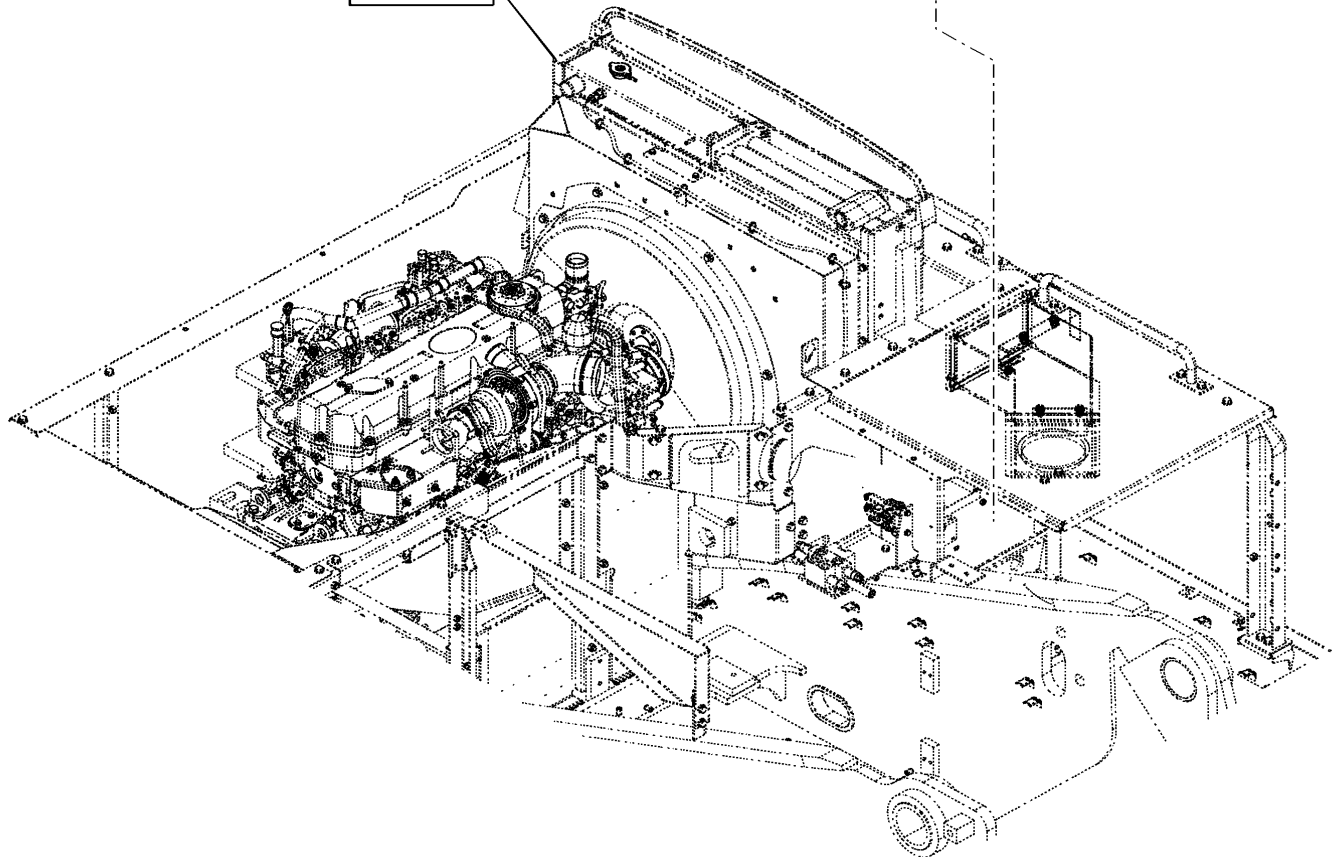
FLYWHEEL HOUSING



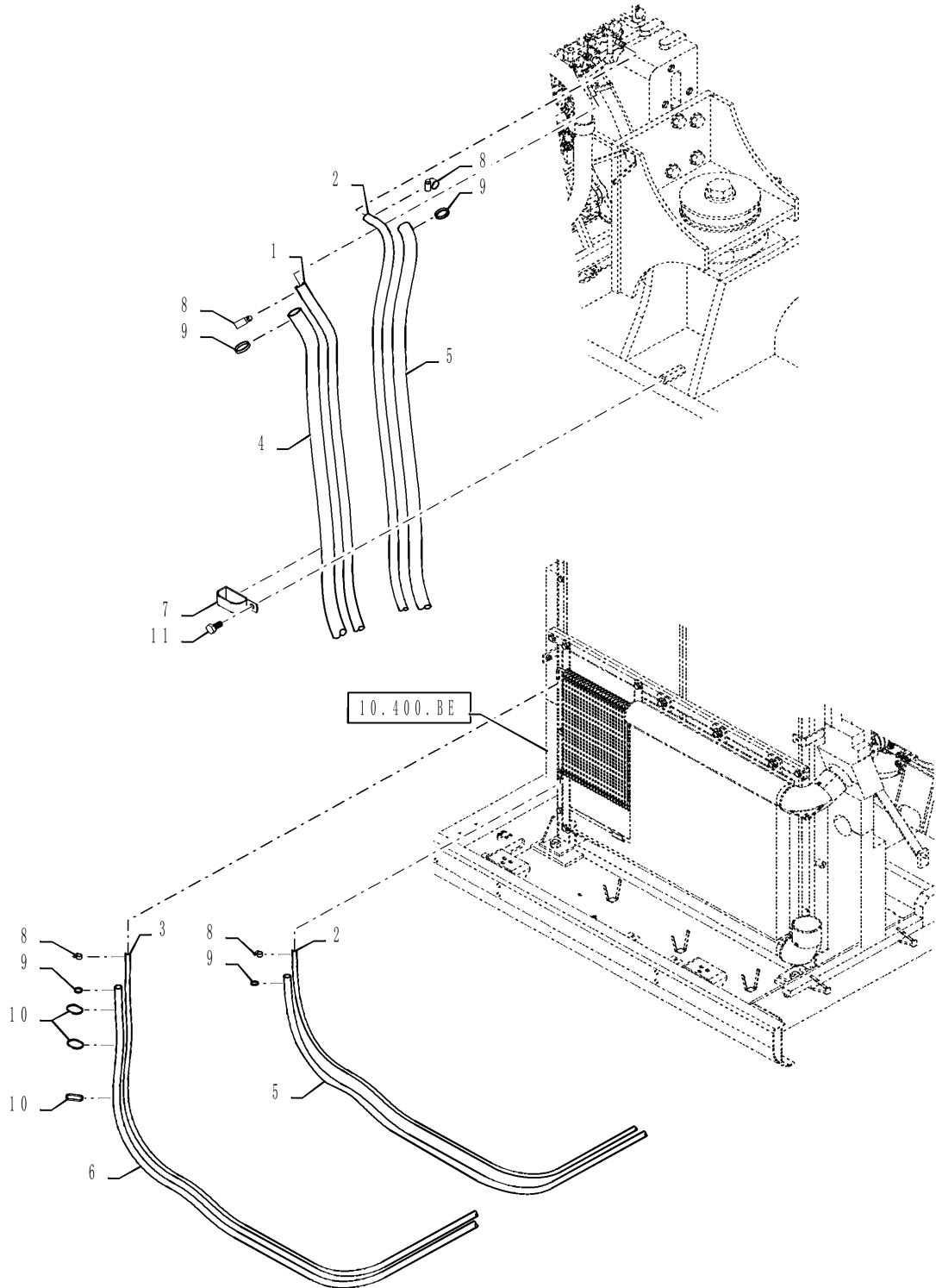
AIR CLEANER ASSY



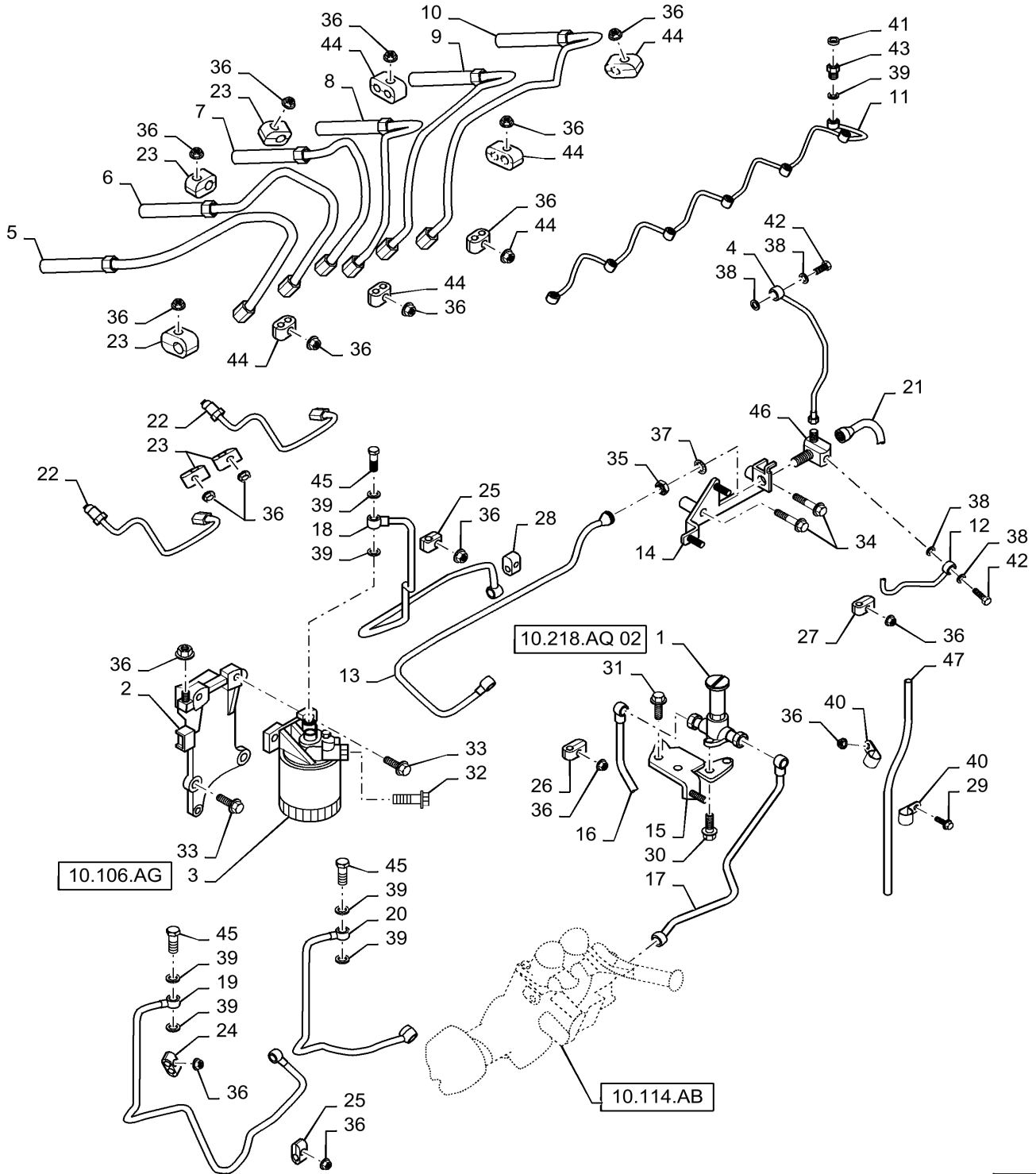
10.400.BE



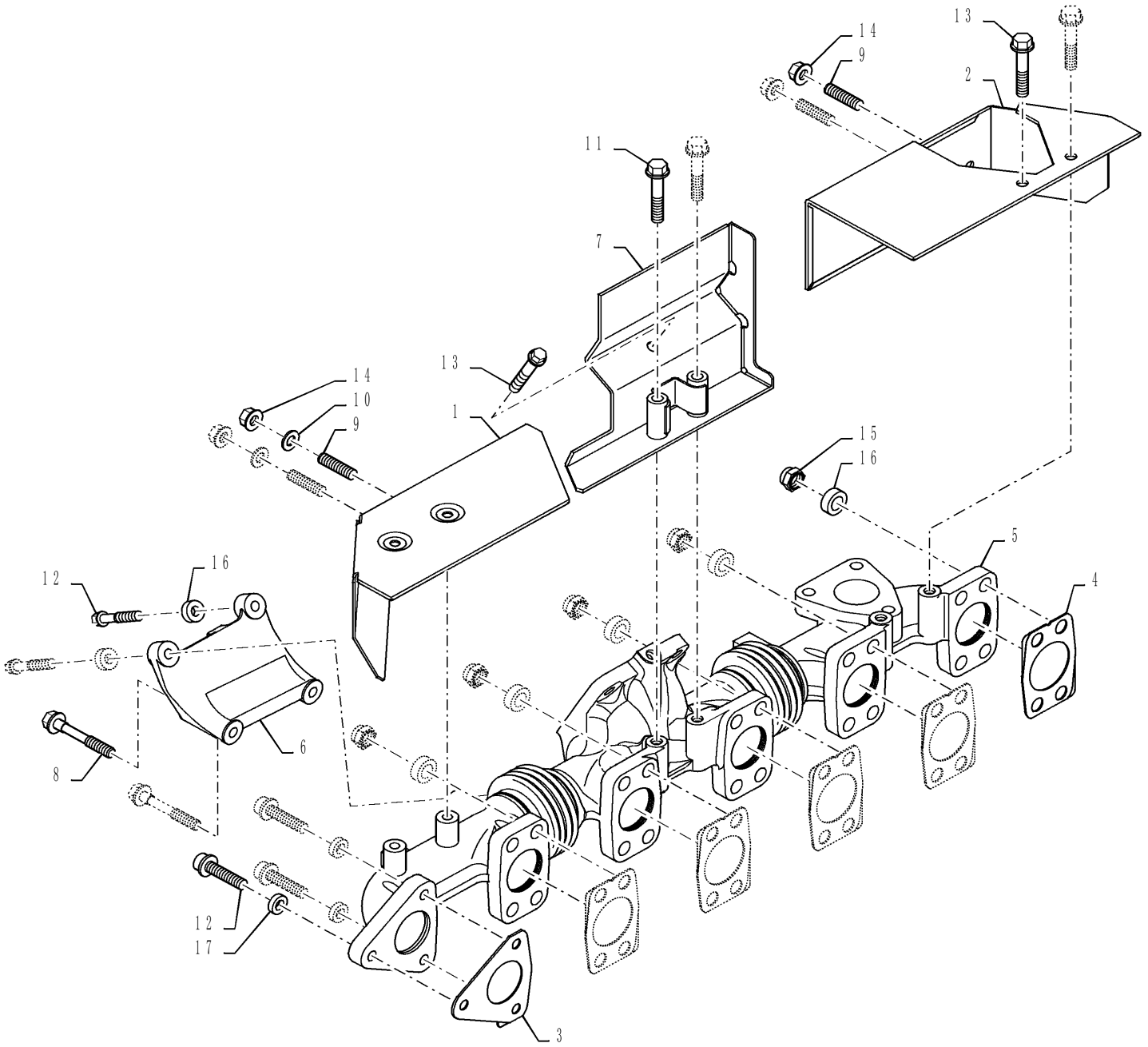
FUEL LINES



INJECTOR FUEL LINES



EXHAUST MANIFOLD



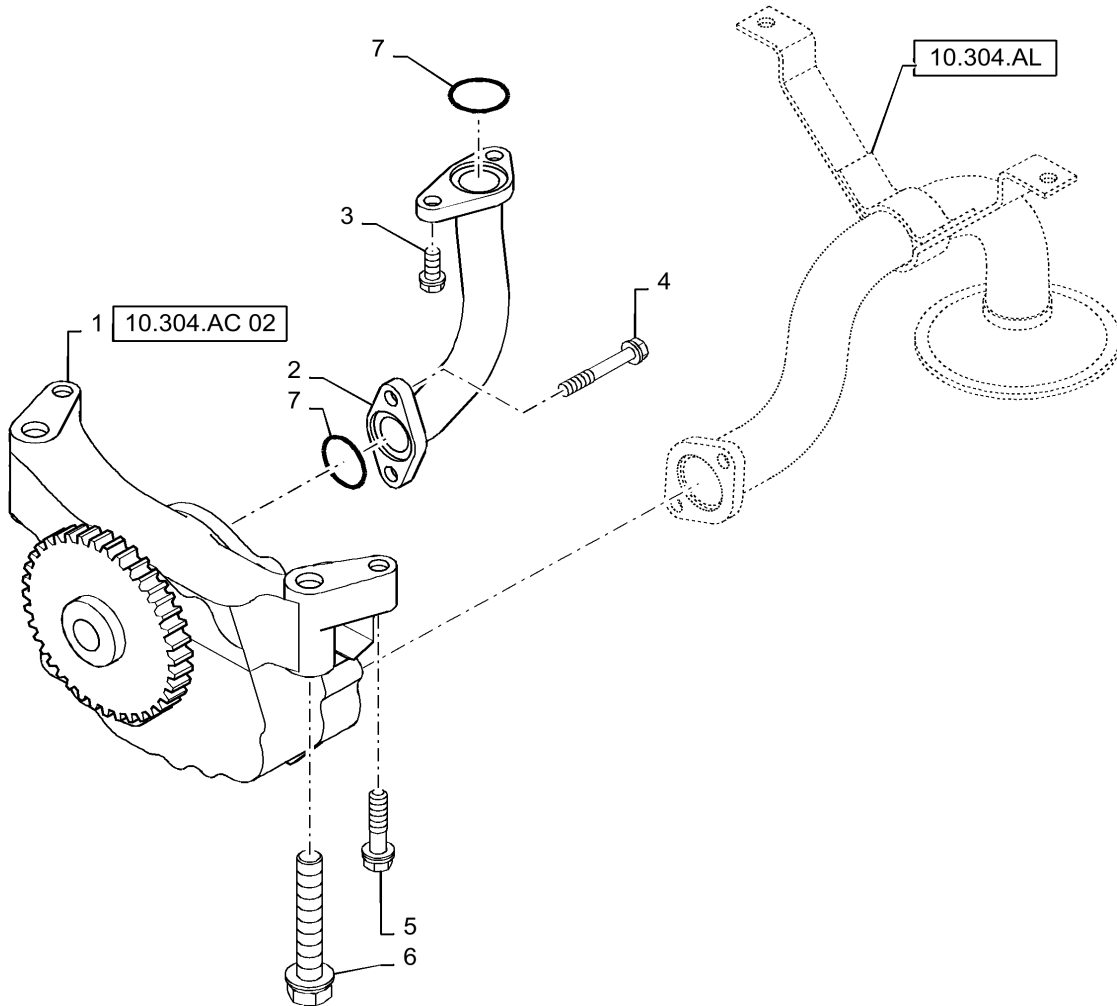
10.304.AC

01

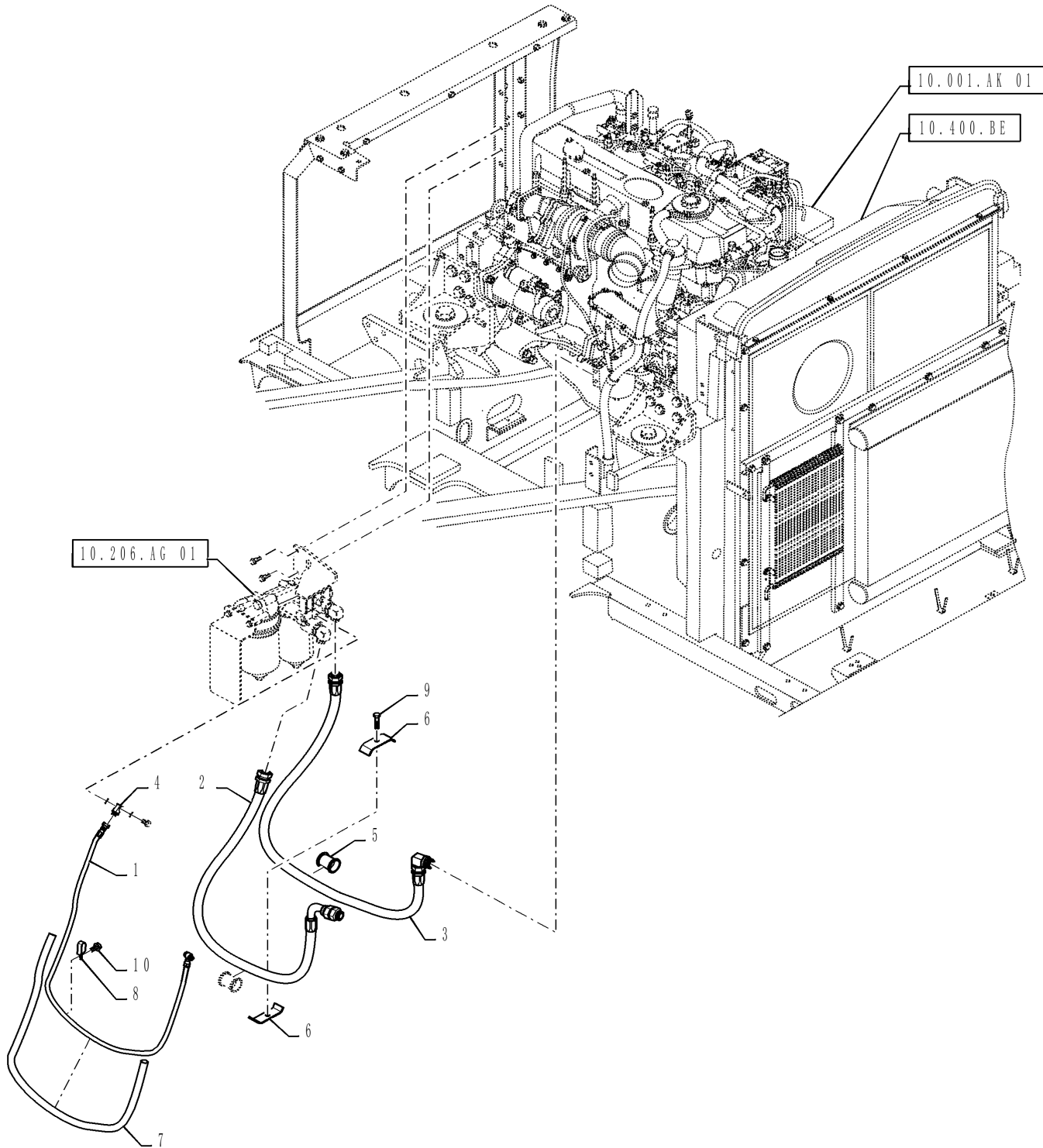
p1

9/2013

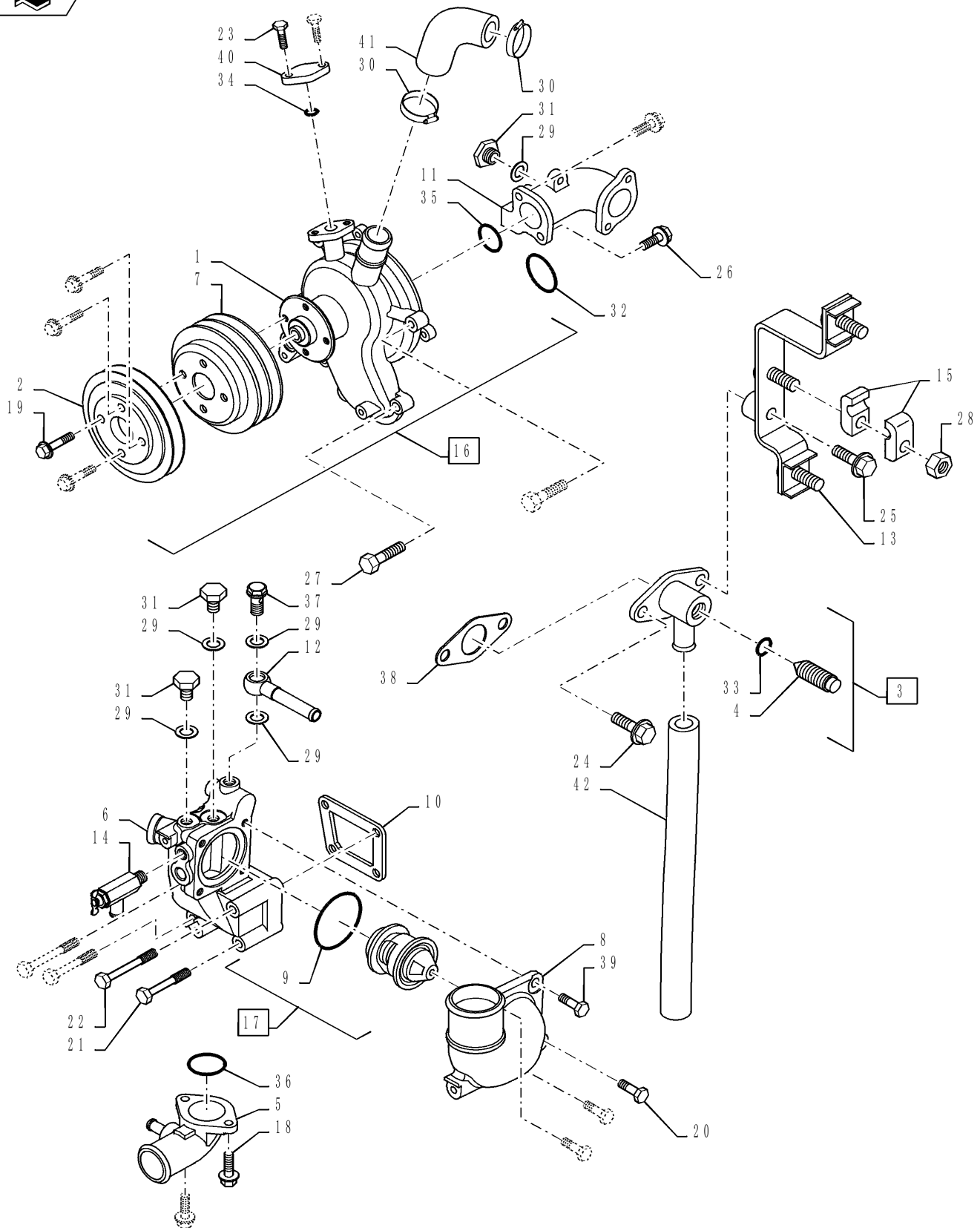
OIL PUMP & LINES



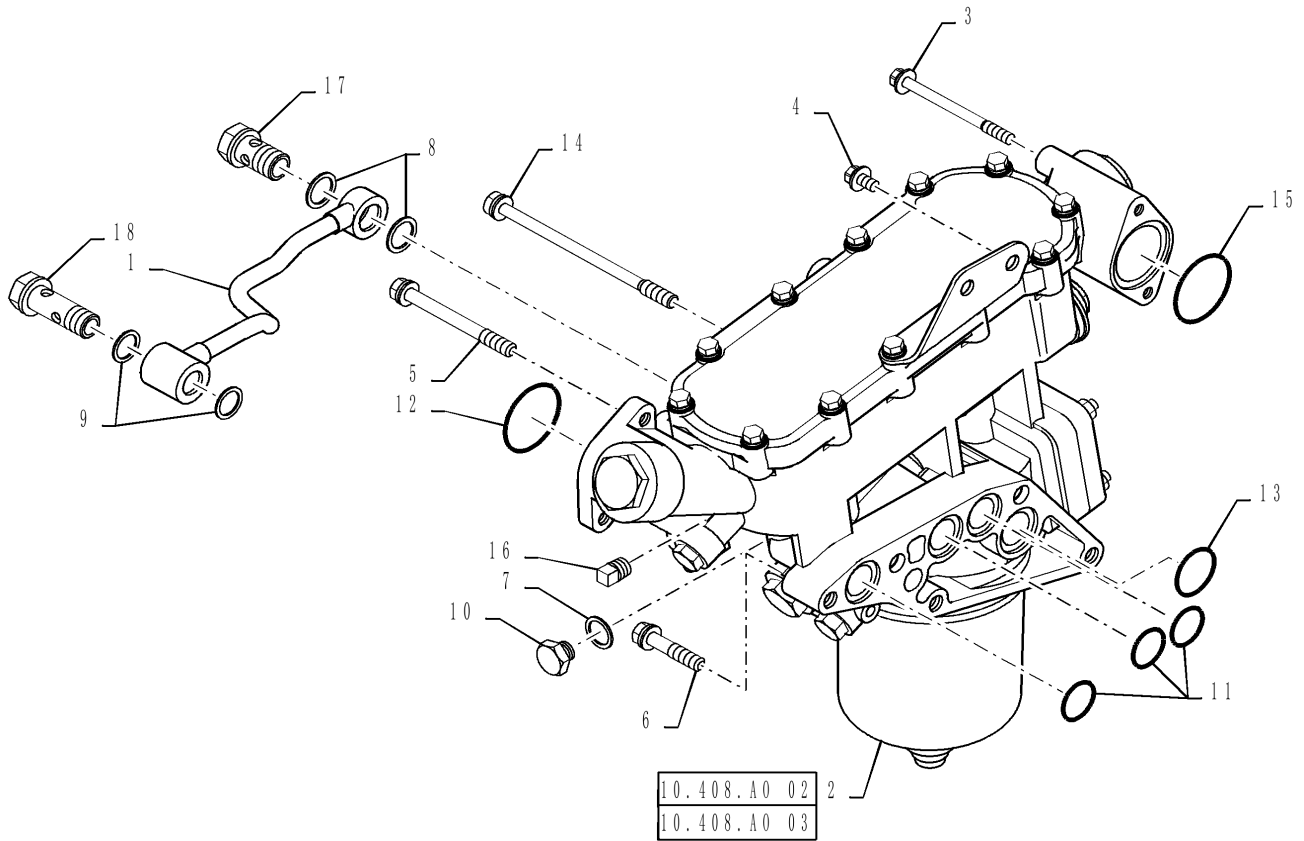
EXTERNAL OIL FILTERS - LINES



WATER PUMP AND COOLANT MANIFOLD



OIL COOLER - MOUNTING





---

## SECTION INDEX

### Hydraulic systems

---

35.355.AK	19	CONTROLS, OPERATORS (NIBBLER & BREAKER)
35.355.AK	20	CONTROLS, OPERATORS (NIBBLER & BREAKER)
35.356.AK	01	CONTROLS, OPERATORS (1 PEDAL)
35.356.AK	02	CONTROLS, OPERATORS (1 PEDAL)
35.356.AK	03	CONTROLS, OPERATORS (1 PEDAL)
35.356.AK	04	CONTROLS, OPERATORS (1 PEDAL)
35.356.AK	05	CONTROLS, OPERATORS (1 PEDAL)
35.356.AK	06	CONTROLS, OPERATORS (1 PEDAL)
35.356.AK	07	CONTROLS, OPERATORS (1 PEDAL)
35.356.AK	08	PEDAL, LEVER & BRACKET
35.357.AL	01	VALVE ASSY, PILOT
35.357.AL	02	VALVE ASSY, PILOT
35.359.AB	01	CONTROL VALVE, INSTALL
35.359.AB	02	CONTROL VALVE ASSY
35.359.AB	03	CONTROL VALVE ASSY
35.359.AB	04	CONTROL VALVE ASSY
35.359.AB	05	CONTROL VALVE ASSY
35.359.AB	06	CONTROL VALVE ASSY
35.359.AB	07	CONTROL VALVE ASSY
35.359.AB	08	CONTROL VALVE ASSY
35.359.AB	09	CONTROL VALVE ASSY
35.359.AB	10	CONTROL VALVE ASSY
35.359.AB	11	CONTROL VALVE
35.359.AB	12	CONTROL VALVE
35.359.AB	13	CONTROL VALVE
35.359.AE	01	CONTROL LINES, MAIN (1PLUG)
35.359.AE	02	CONTROL LINES, MAIN (1PLUG)
35.359.AE	03	CONTROL LINES, MAIN (1PLUG)
35.359.AE	04	CONTROL LINES, MAIN (1 PLUG)
35.359.AE	05	CONTROL LINES, MAIN (NIBBLER & BREAKER)
35.359.AE	06	CONTROL LINES, MAIN (NIBBLER & BREAKER)
35.359.AE	07	CONTROL LINES, MAIN (NIBBLER & BREAKER) (JUN 21 2011)
35.359.AE	08	CONTROL LINES, MAIN (NIBBLER & BREAKER)
35.359.AE	09	CONTROL LINES, MAIN
35.359.AE	10	CONTROL LINES, MAIN

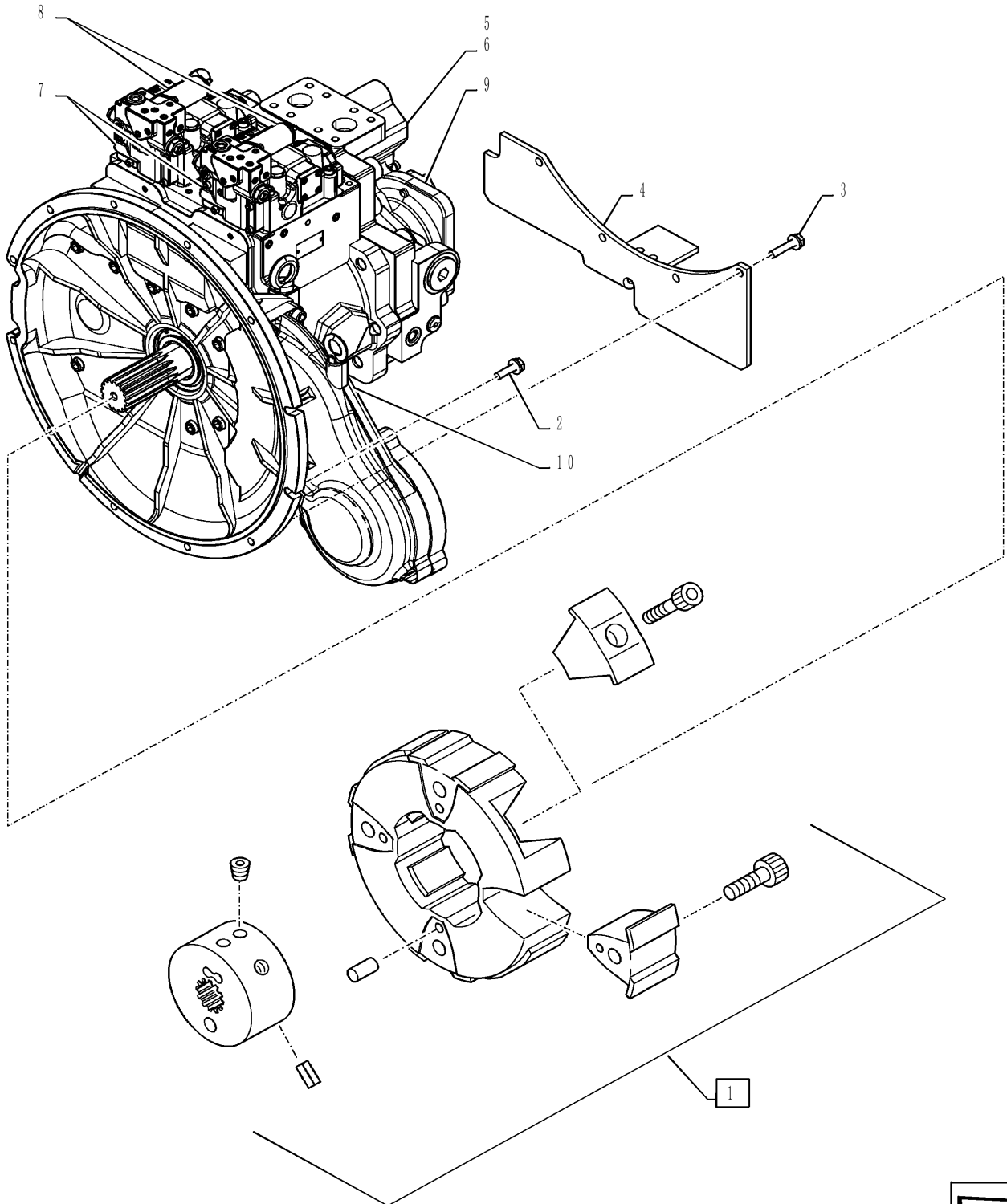
35.106.AN

02

p1

9/2013

POWER TAKE-OFF ASSY (WITH PTO)



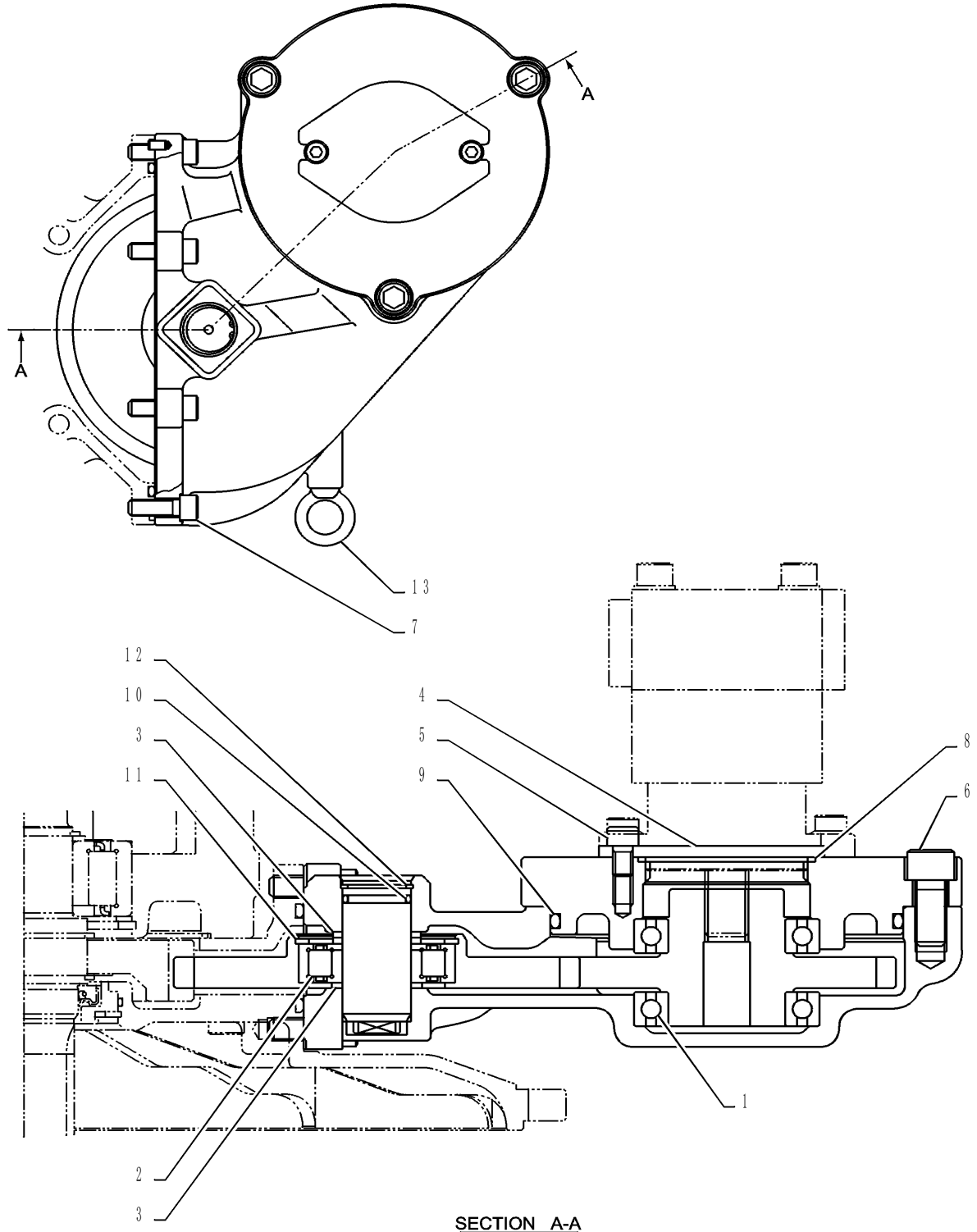
35.106.AN

05

p1

9/2013

GEAR ASSY, CASE



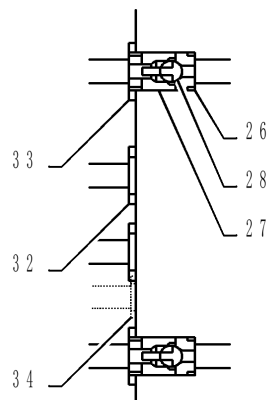
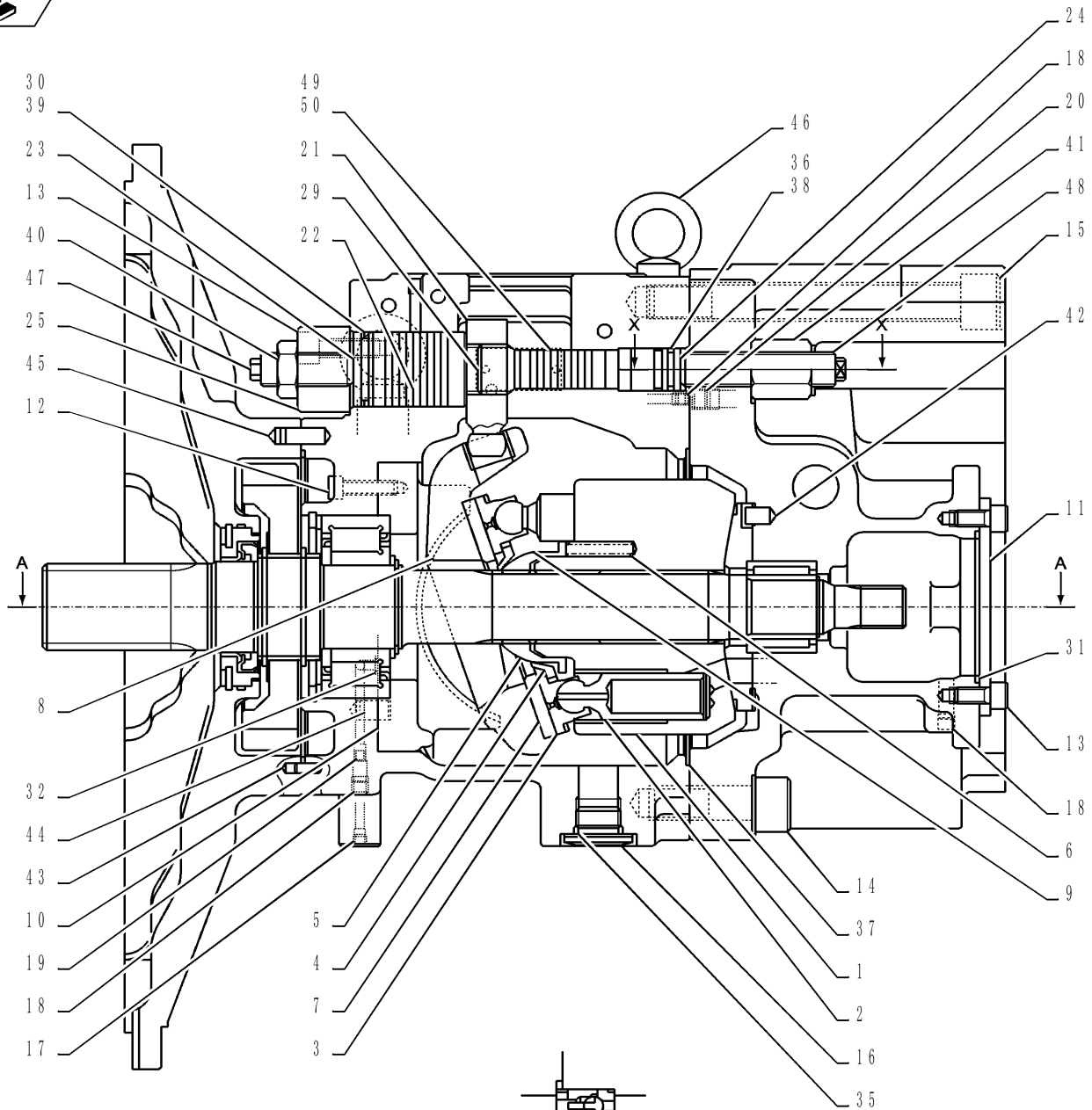
35.106.AN

08

p2

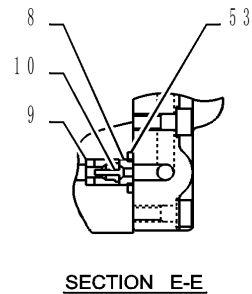
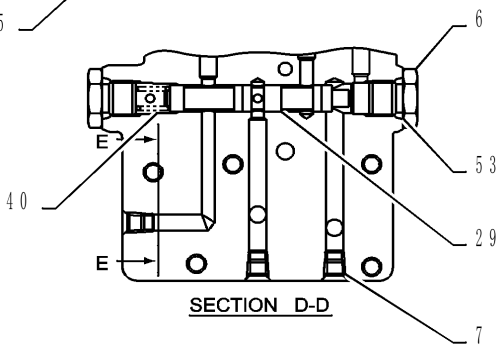
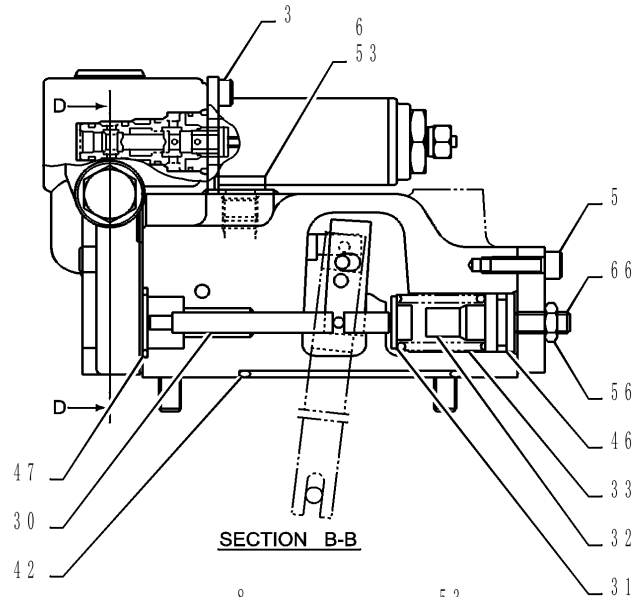
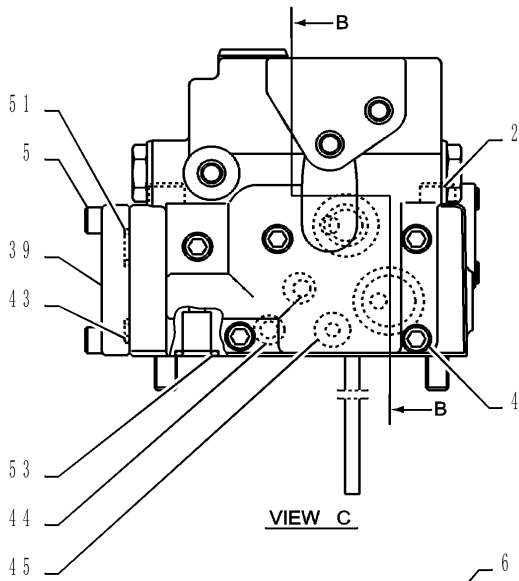
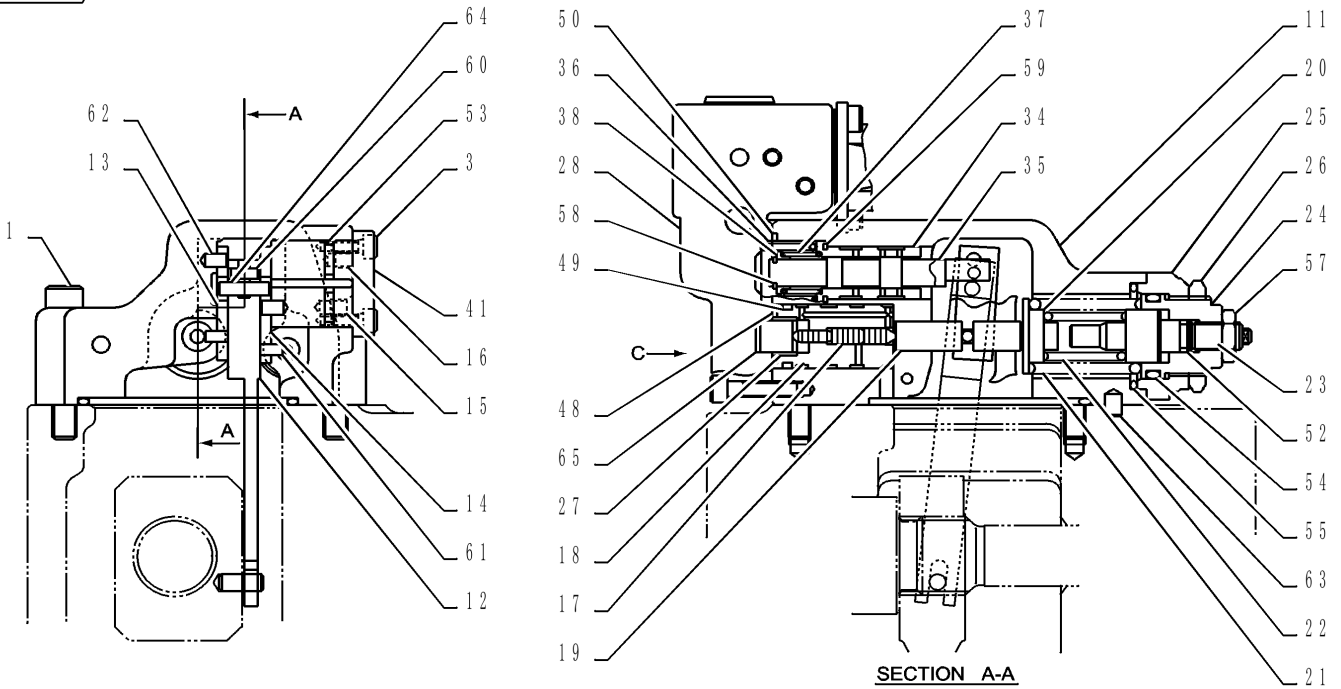
9/2013

HYD ASSY, PUMP



SECTION X-X

REGULATOR



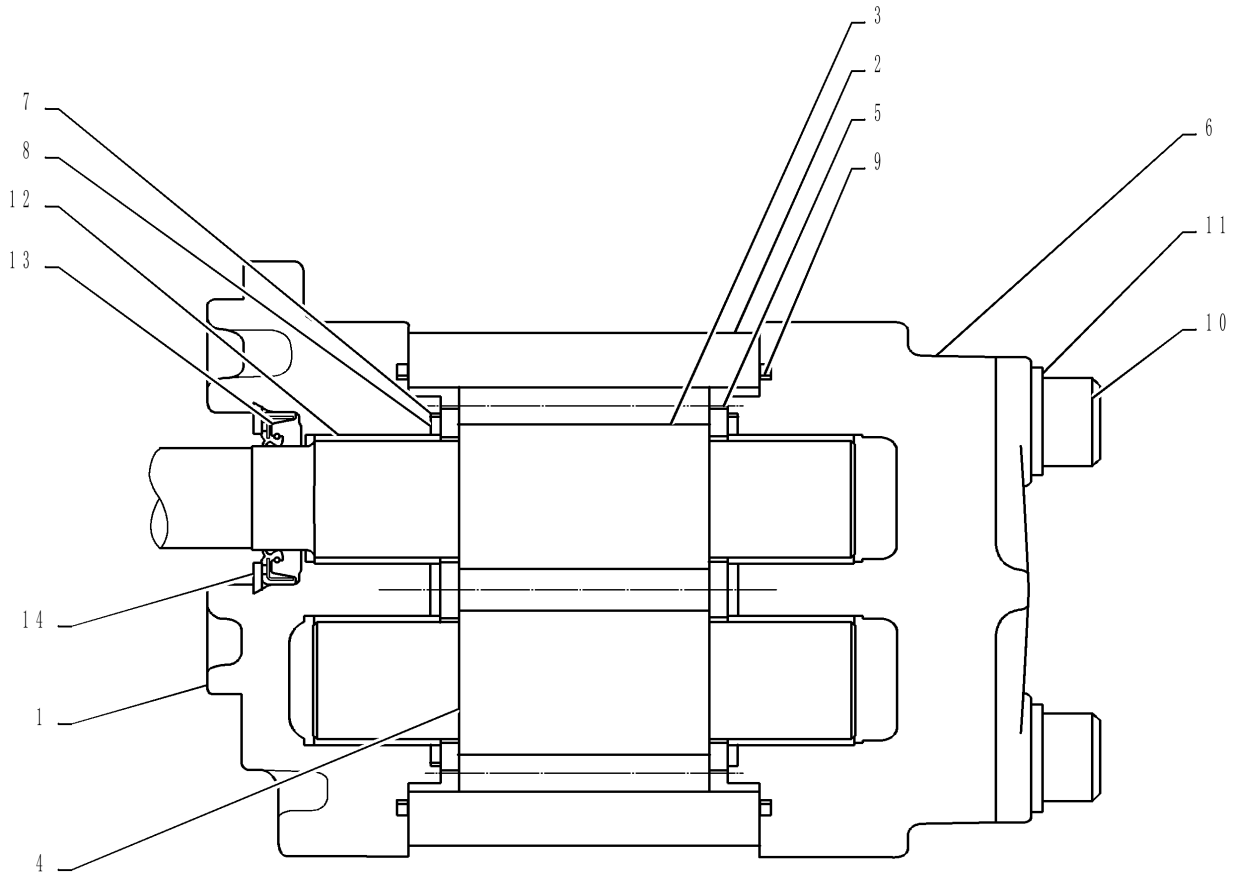
35.106.AN

14

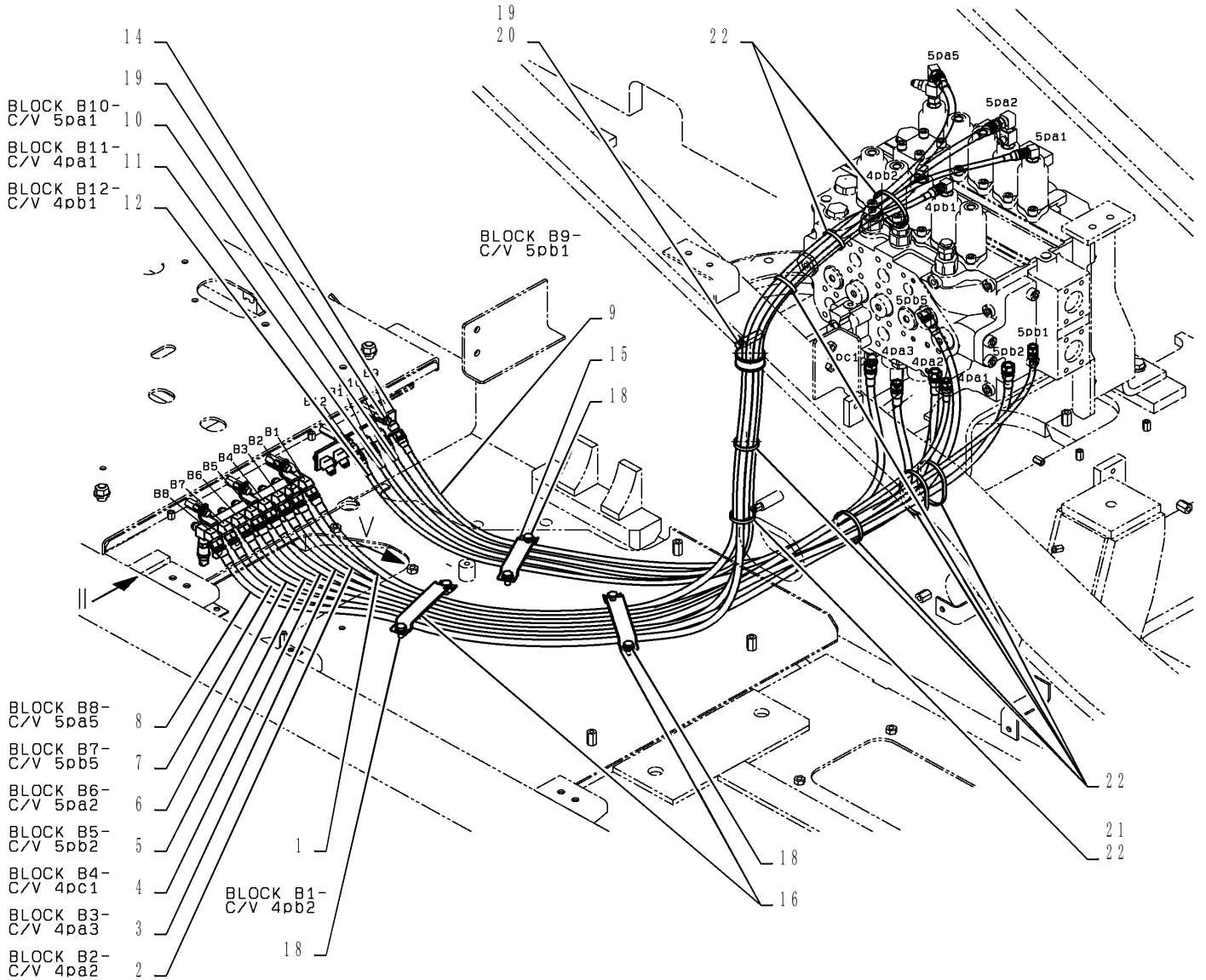
p1

9/2013

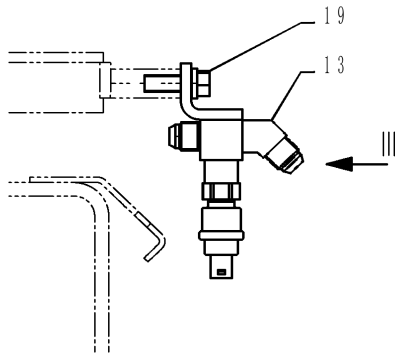
GEAR PUMP



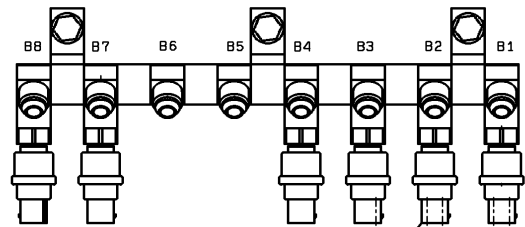
CONTROL LINES, BLOCK (NIBBLER & BREAKER)



- BLOCK B10-  
C/V 5pa1
- BLOCK B11-  
C/V 4pa1
- BLOCK B12-  
C/V 4pb1
- BLOCK B9-  
C/V 5pb1
- BLOCK B8-  
C/V 5pa5
- BLOCK B7-  
C/V 5pb5
- BLOCK B6-  
C/V 5pa2
- BLOCK B5-  
C/V 5pb2
- BLOCK B4-  
C/V 4pc1
- BLOCK B3-  
C/V 4pa3
- BLOCK B2-  
C/V 4pa2



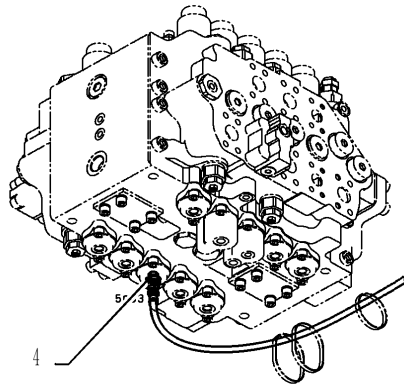
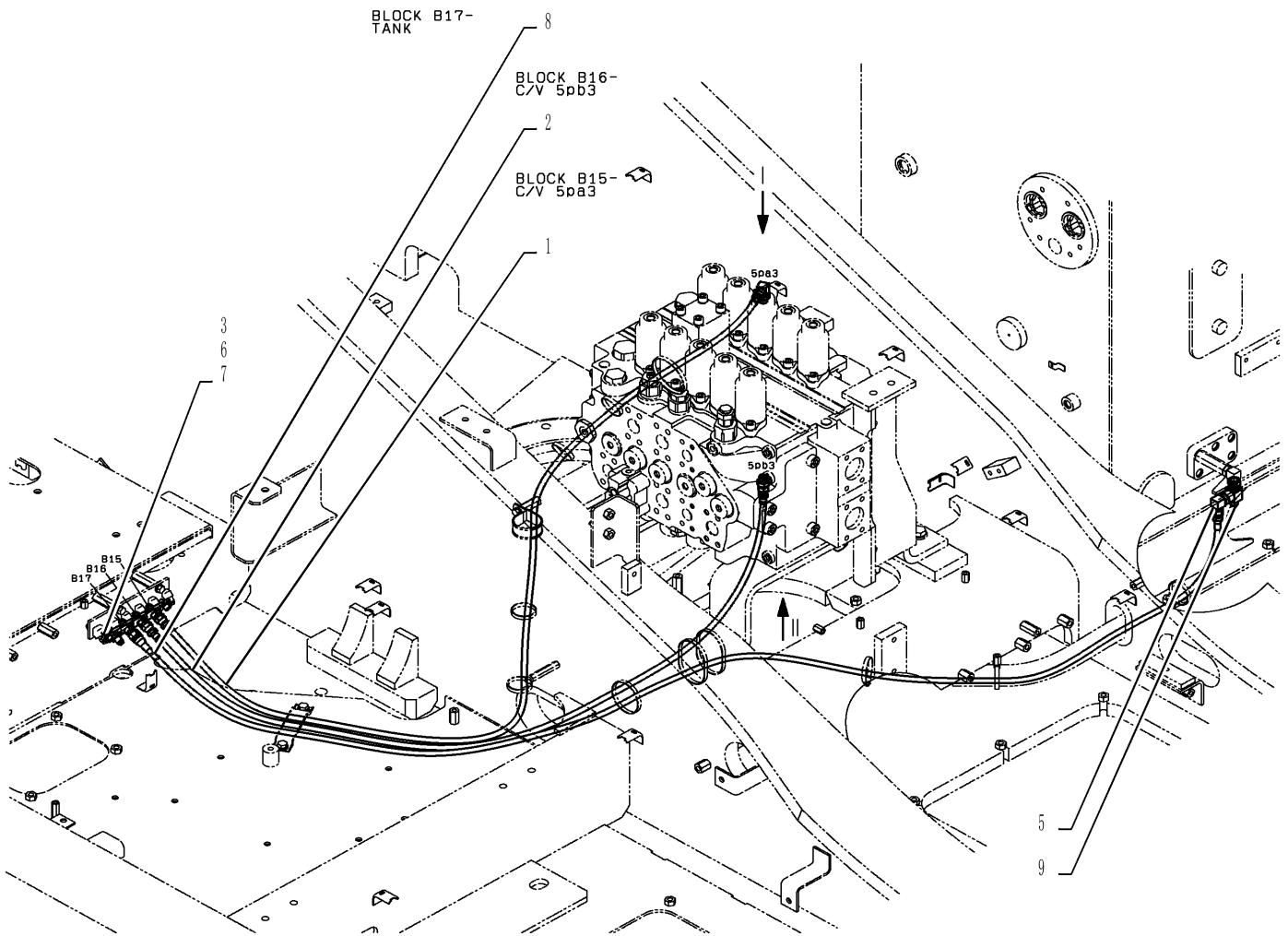
VIEW II



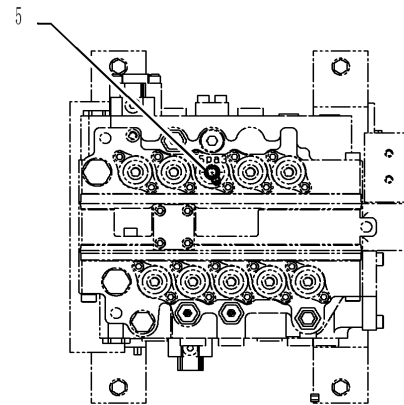
VIEW III



CONTROL LINES, BLOCK (NIBBLER & BREAKER)



VIEW II



VIEW I



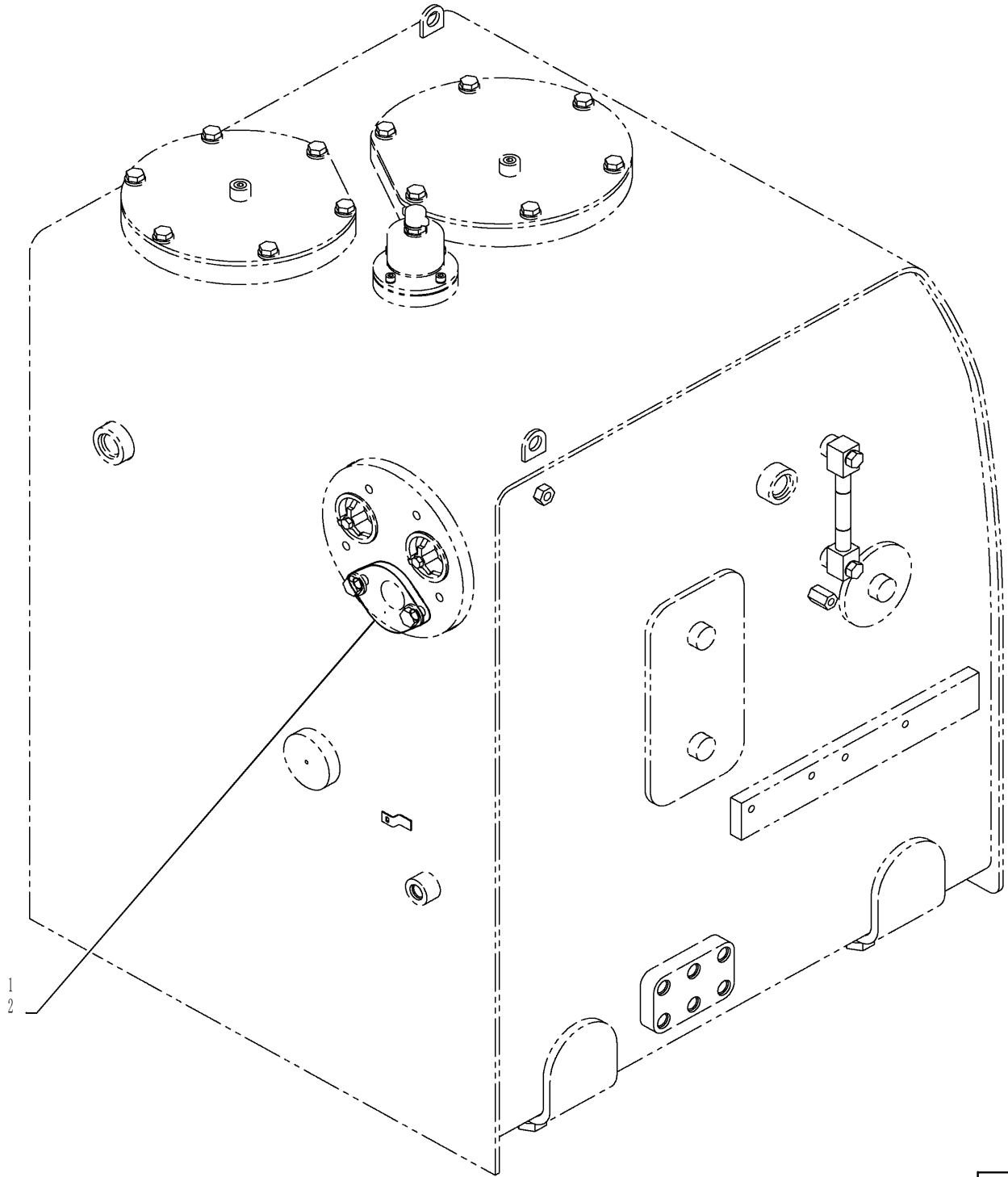
35.310.AF

03

p1

9/2013

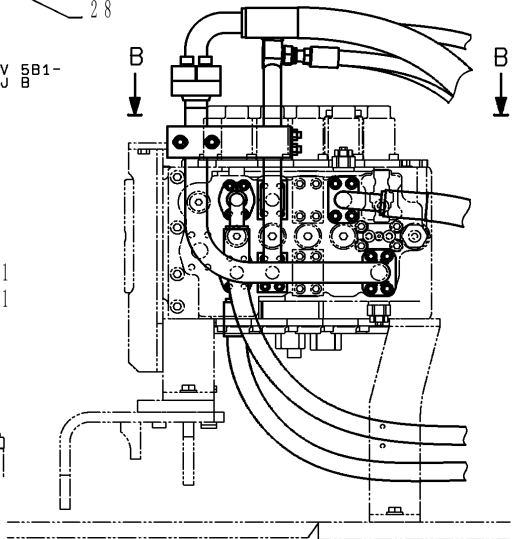
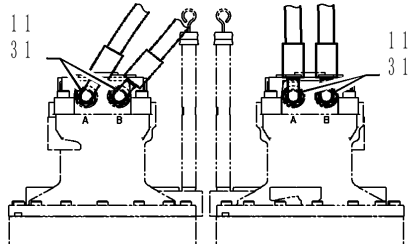
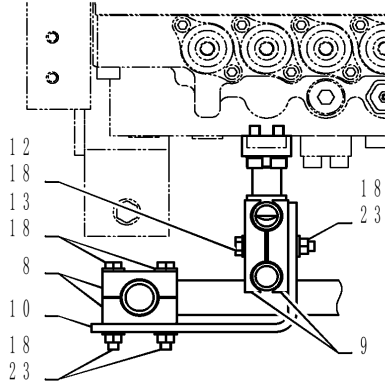
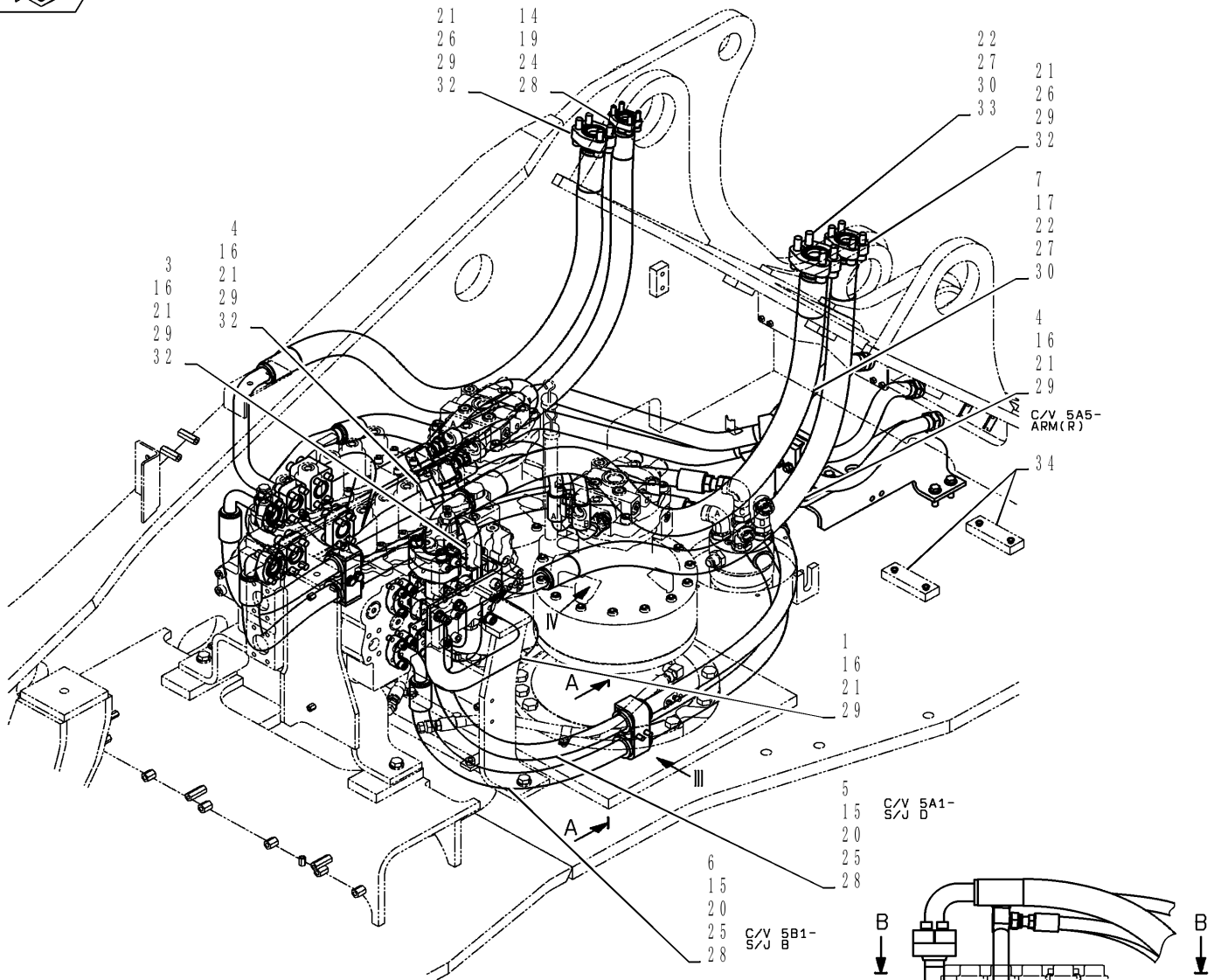
HYD LINES, UPPER



1  
2



HYD LINES, UPPER (NIBBLER & BREAKER)



SECTION BB

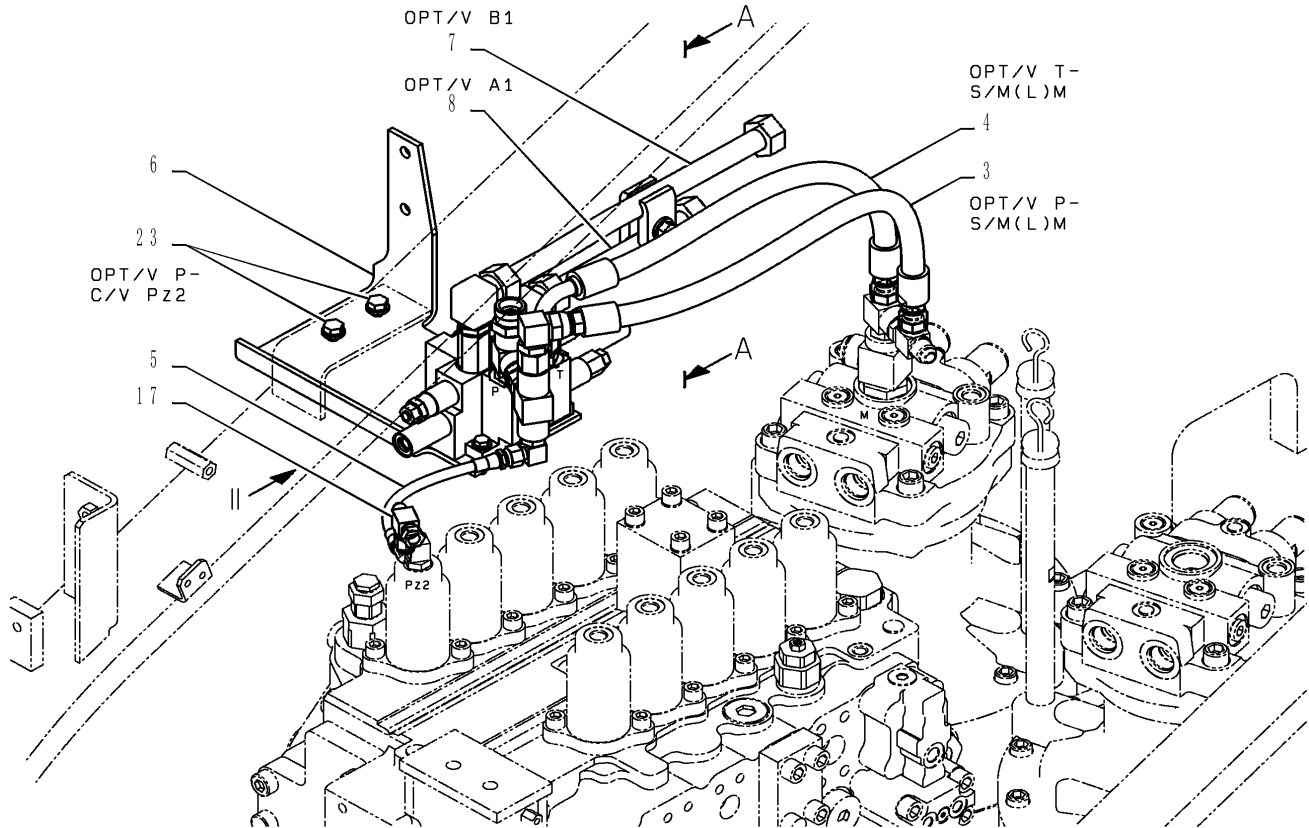
VIEW IV

VIEW III

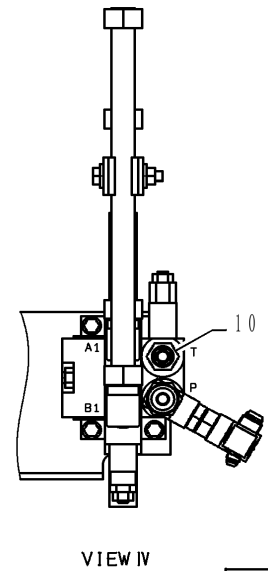
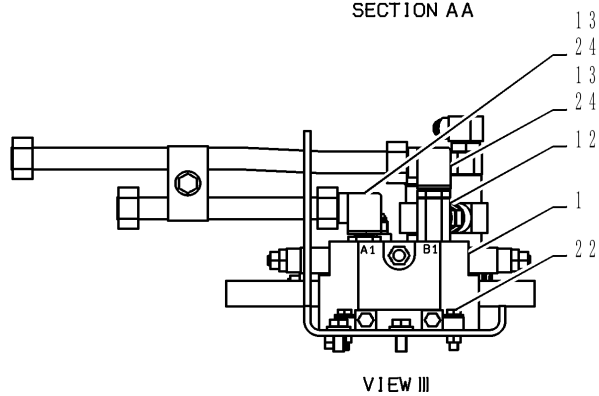
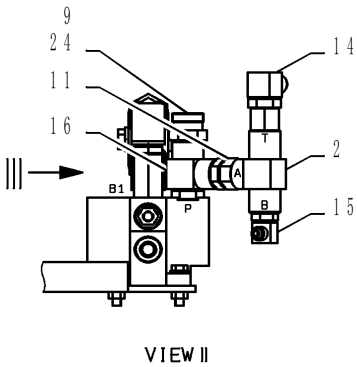
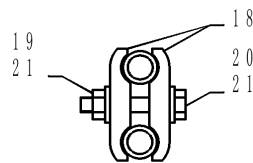




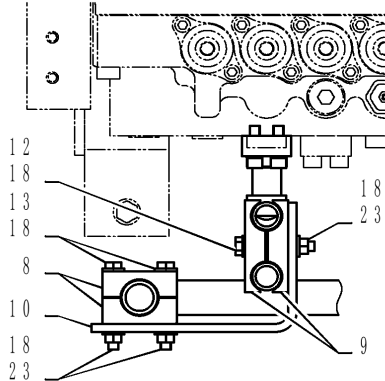
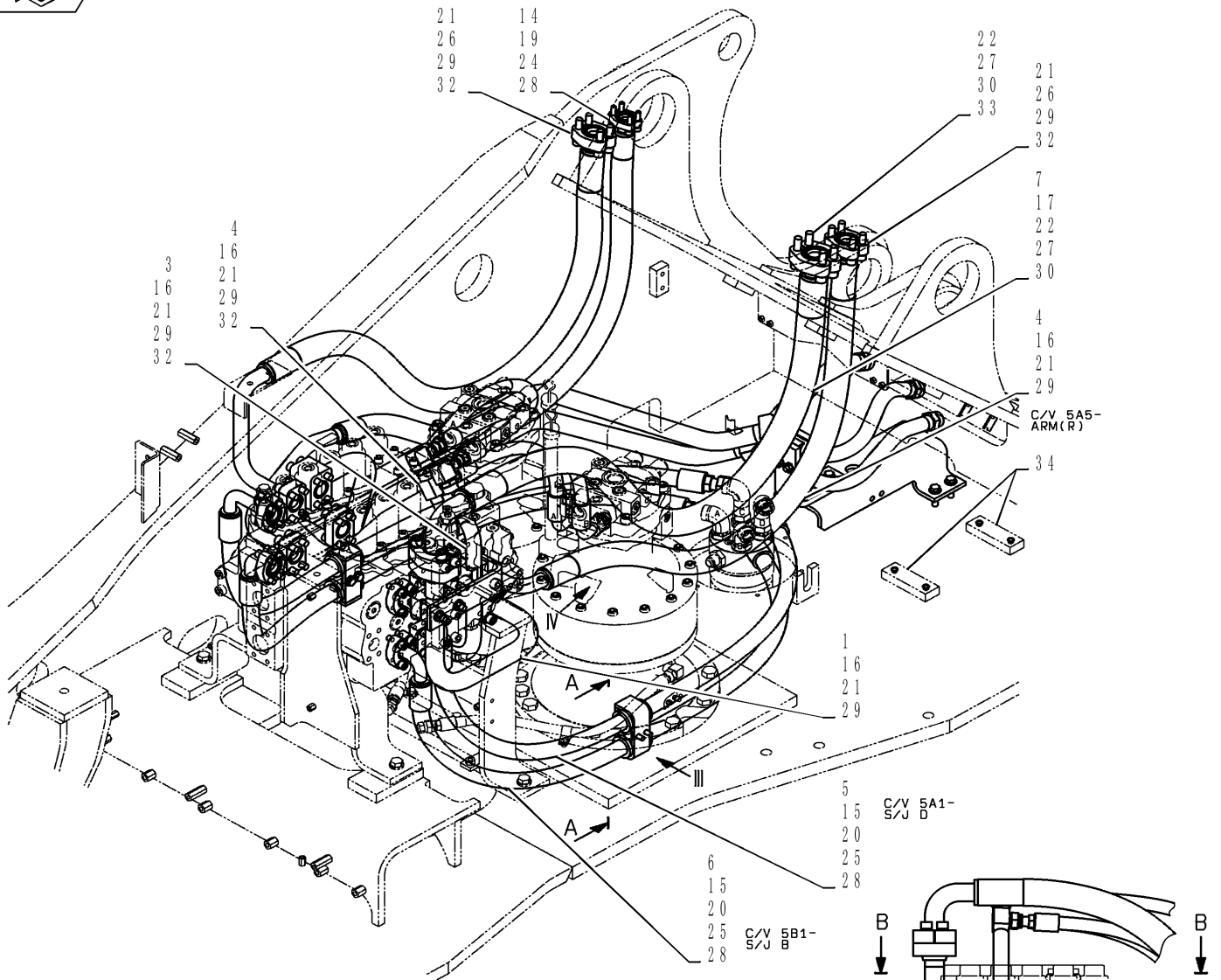
HYD LINES, UPPER (EXTRA, NIBBLER & BREAKER)



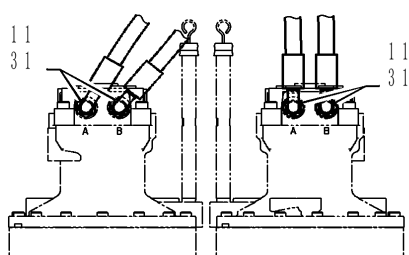
IV



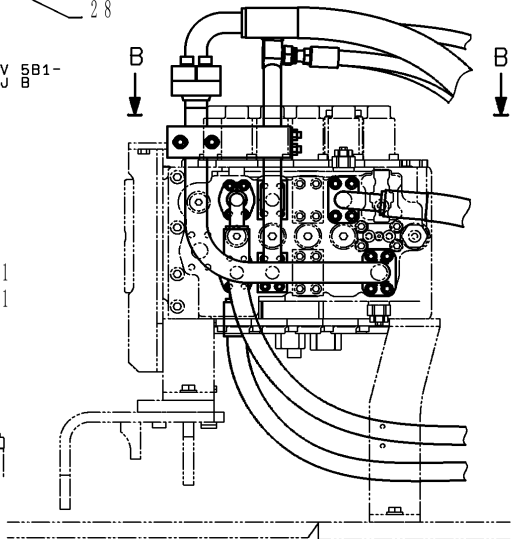
HYD LINES, UPPER (EXTRA, NIBBLER & BREAKER)



SECTION BB



VIEW IV



VIEW III



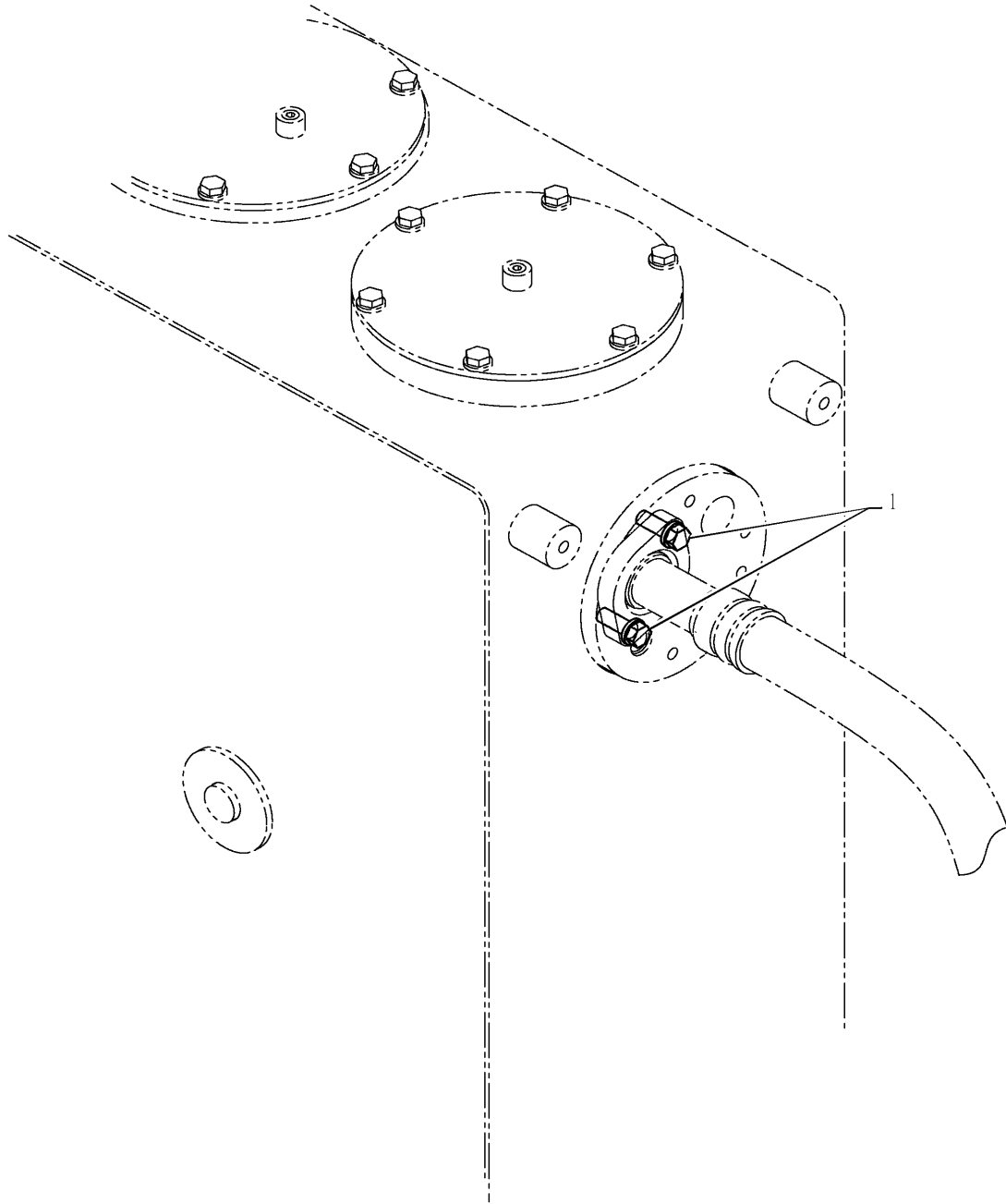
**35.310.AF**

24

p1

9/2013

**HYD LINES, UPPER (EXTRA, NIBBLER & BREAKER)**



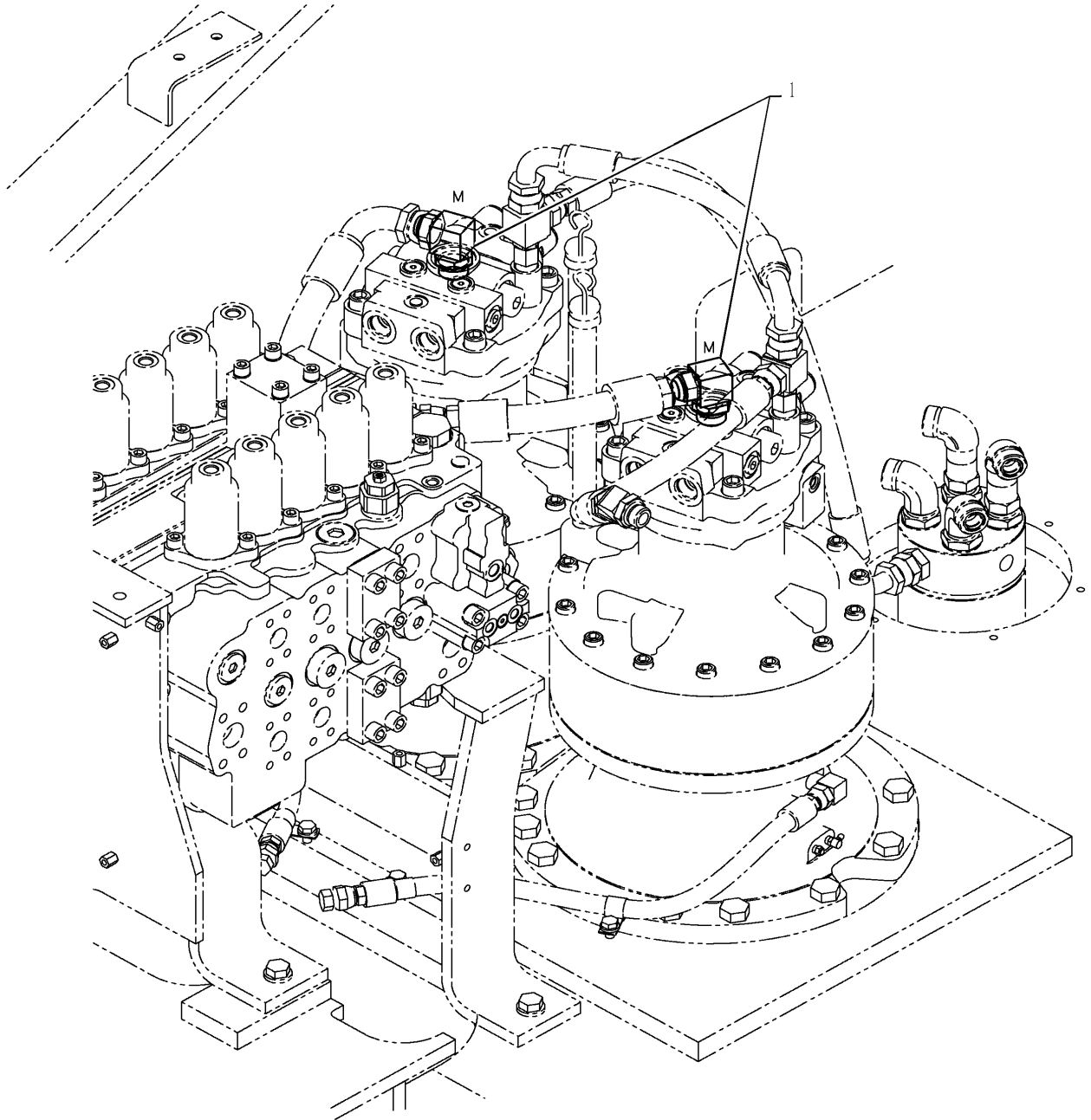
**35.310.AG**

04

p1

9/2013

HYD. LINES, RETURN



HYD. LINES, RETURN (EXTRA NIBBLER & BREAKER)



C/V R1  
-TANK 1  
C/V 11  
12  
TANK 13  
14

S/M(L)Dr  
-S/M(R)Dr 4

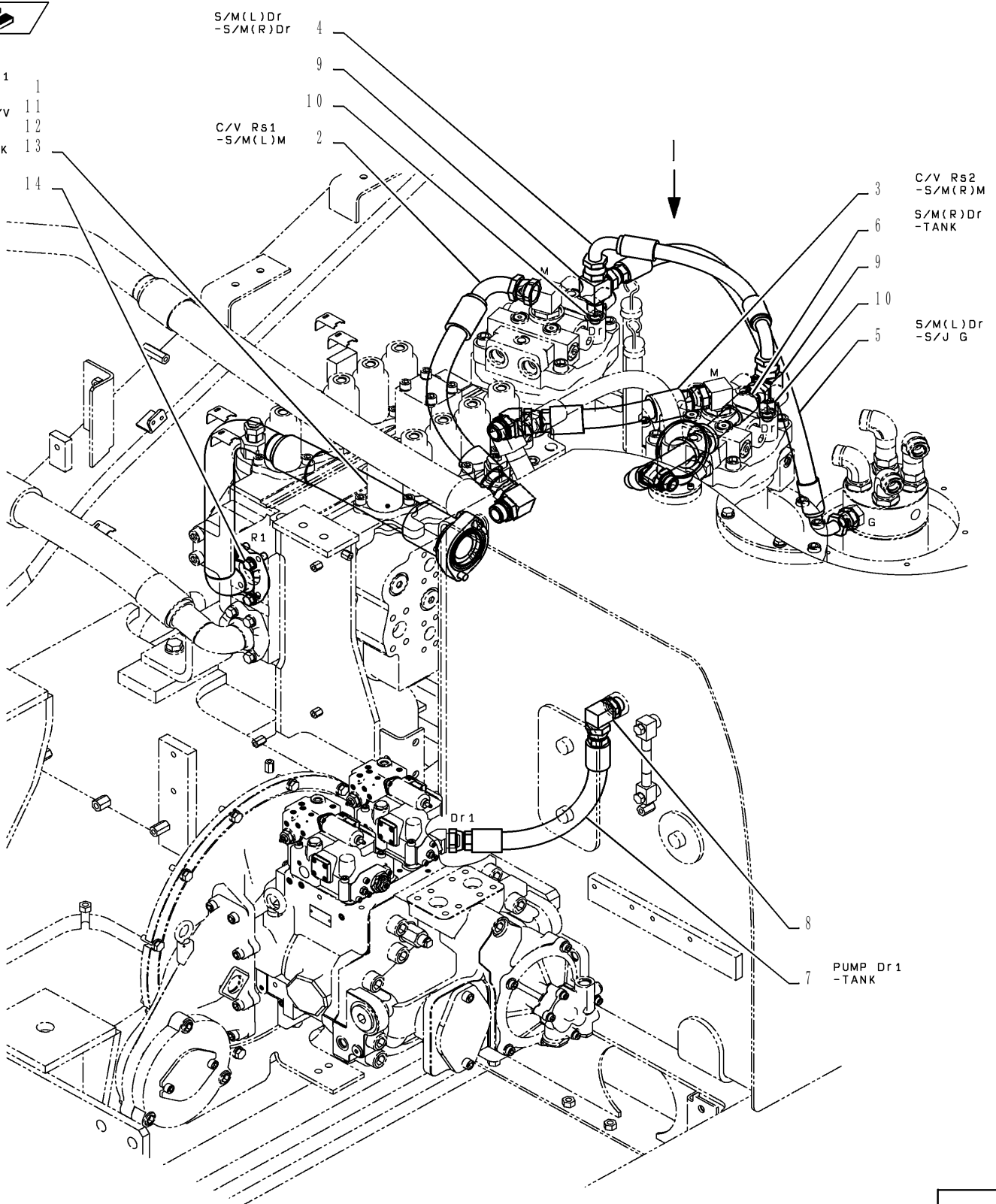
C/V Rs1  
-S/M(L)M 2

C/V Rs2  
-S/M(R)M 3

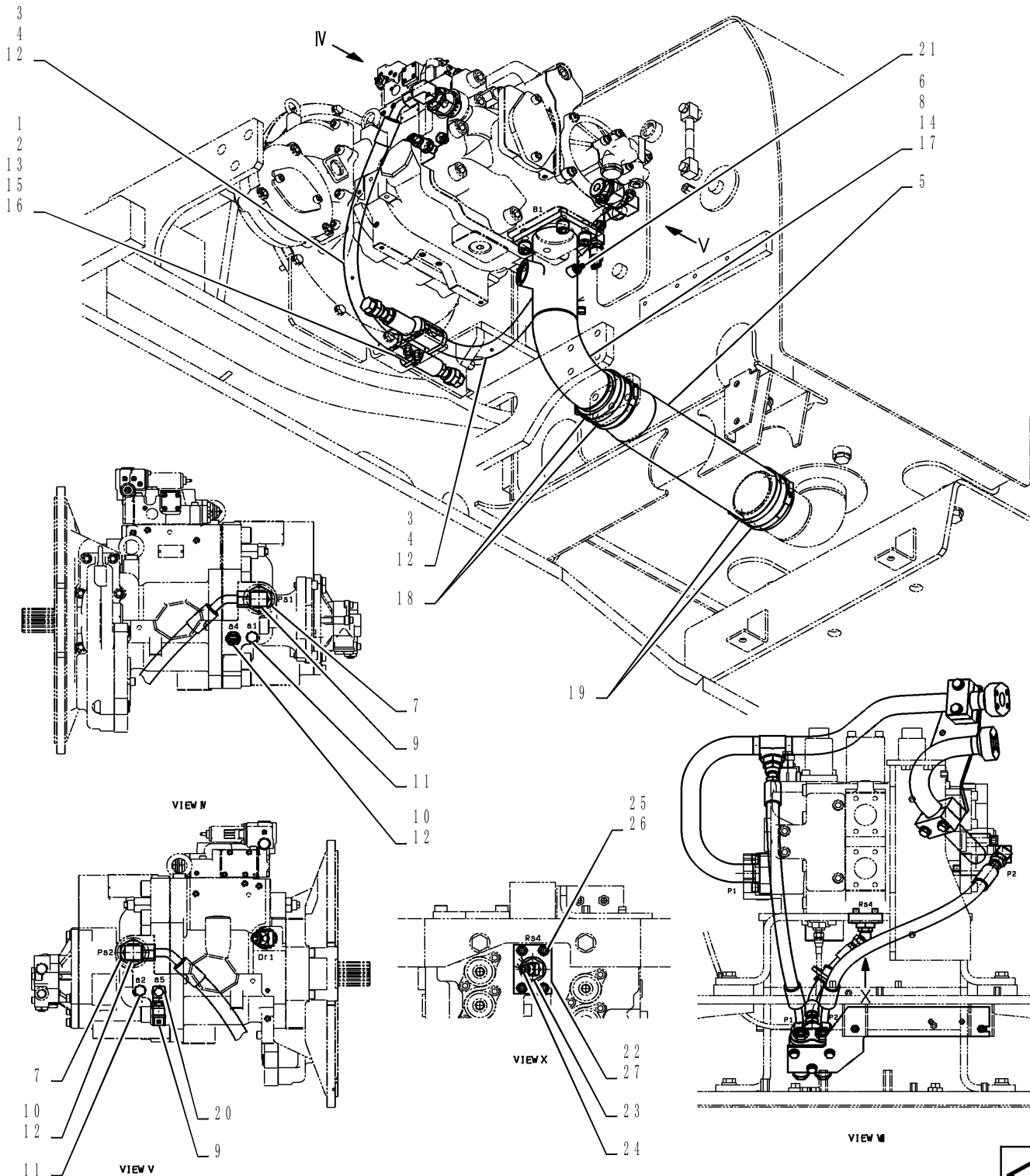
S/M(R)Dr  
-TANK 6

S/M(L)Dr  
-S/J G 5

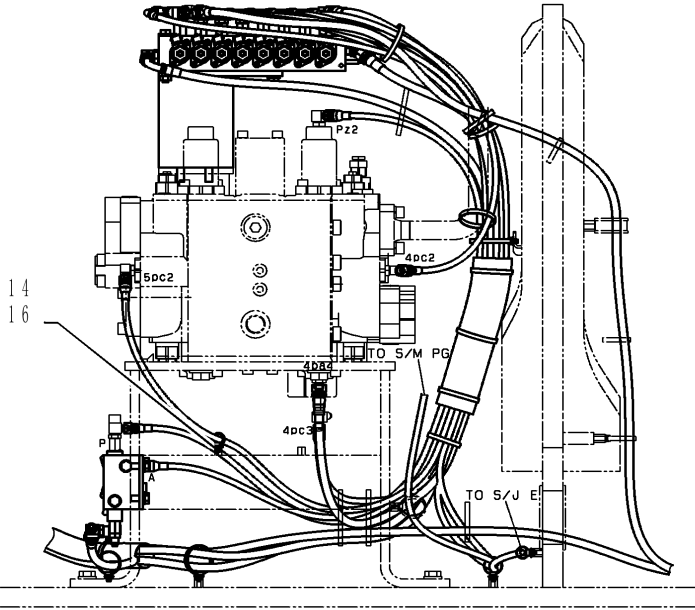
PUMP Dr 1  
-TANK 7



HYD. LINES, PUMP



CONTROL LINES, VALVE



S/V T2  
-TANK

2

15

15

17



S/V AB  
-C/V 4pa4

4pc2

VIEW II



S/V A3  
-S/J E 10

S/V A2  
-S/M PG 9

S/V A1  
-S/V P 11

S/V A5  
-C/V 5pc2 8

S/V A4  
-C/V 4pc3 6

S/V A6  
-C/V Pz1 7

S/V A7  
-C/V 4pc2 5

S/V P1  
-PUMP A3 4

14

16

S/V T  
-TANK 1

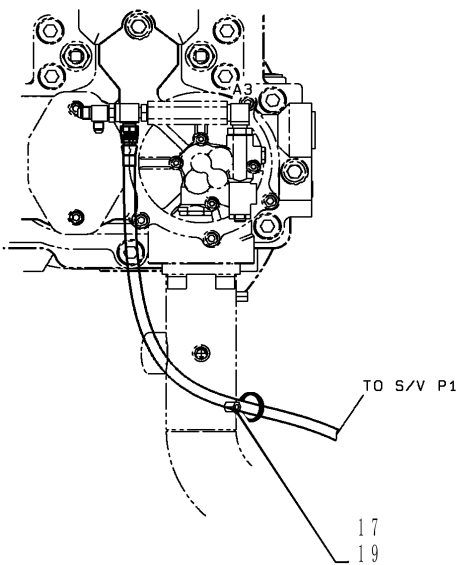
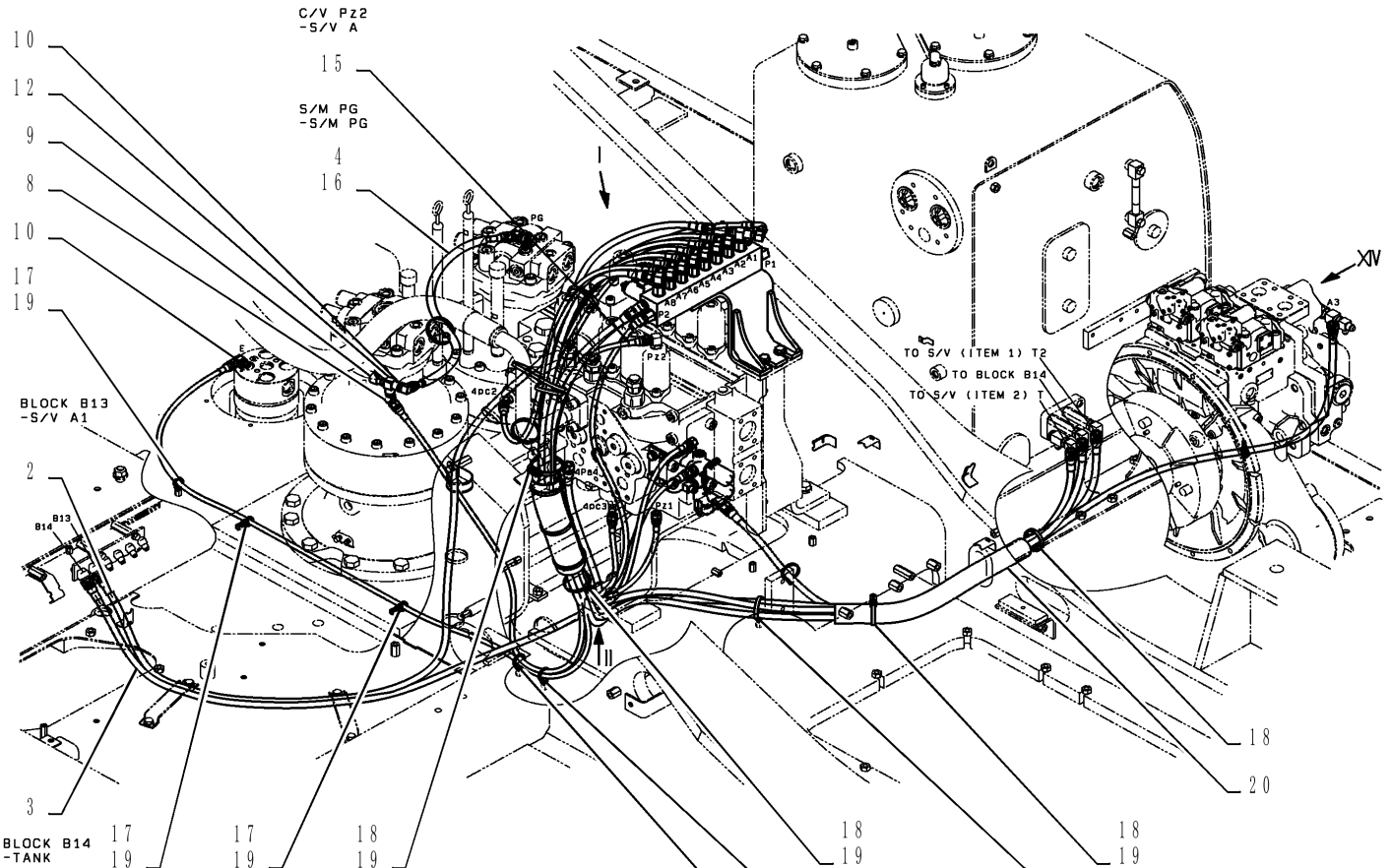
13

12

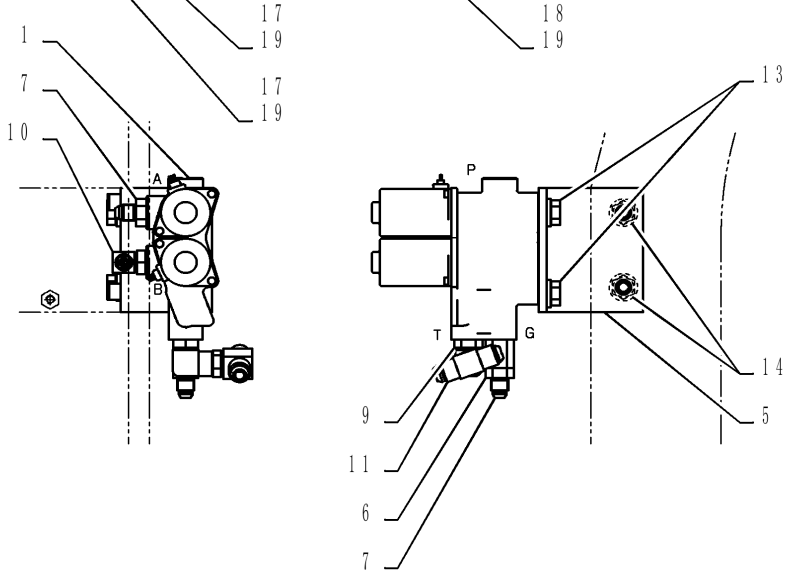
VIEW I

TO S/J E

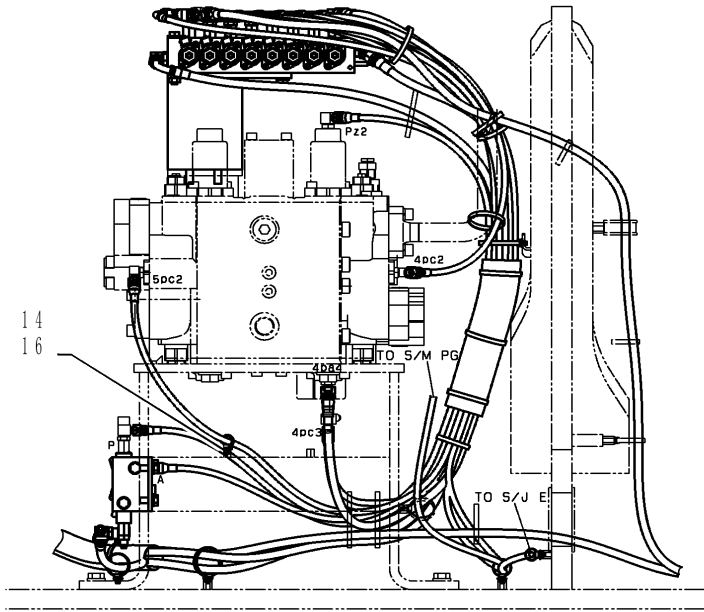
CONTROL LINES, VALVE (NIBBLER & BREAKER)



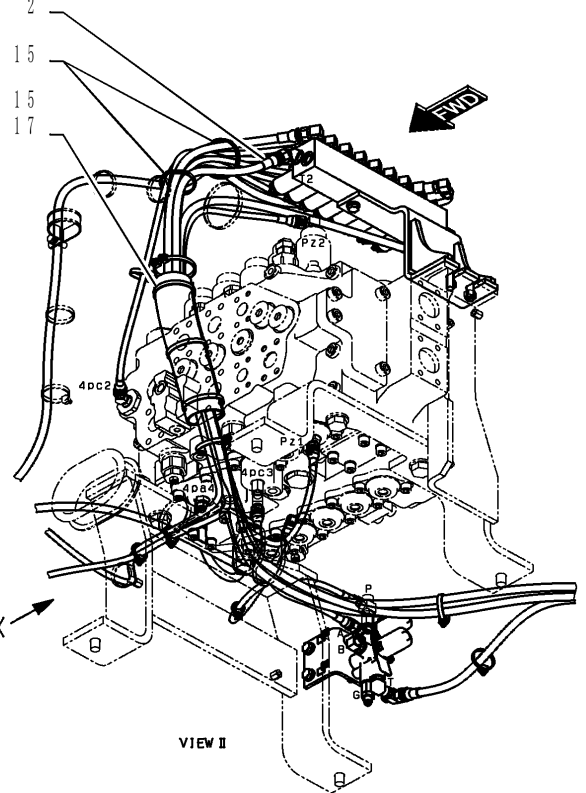
VIEW XV



CONTROL LINES, VALVE

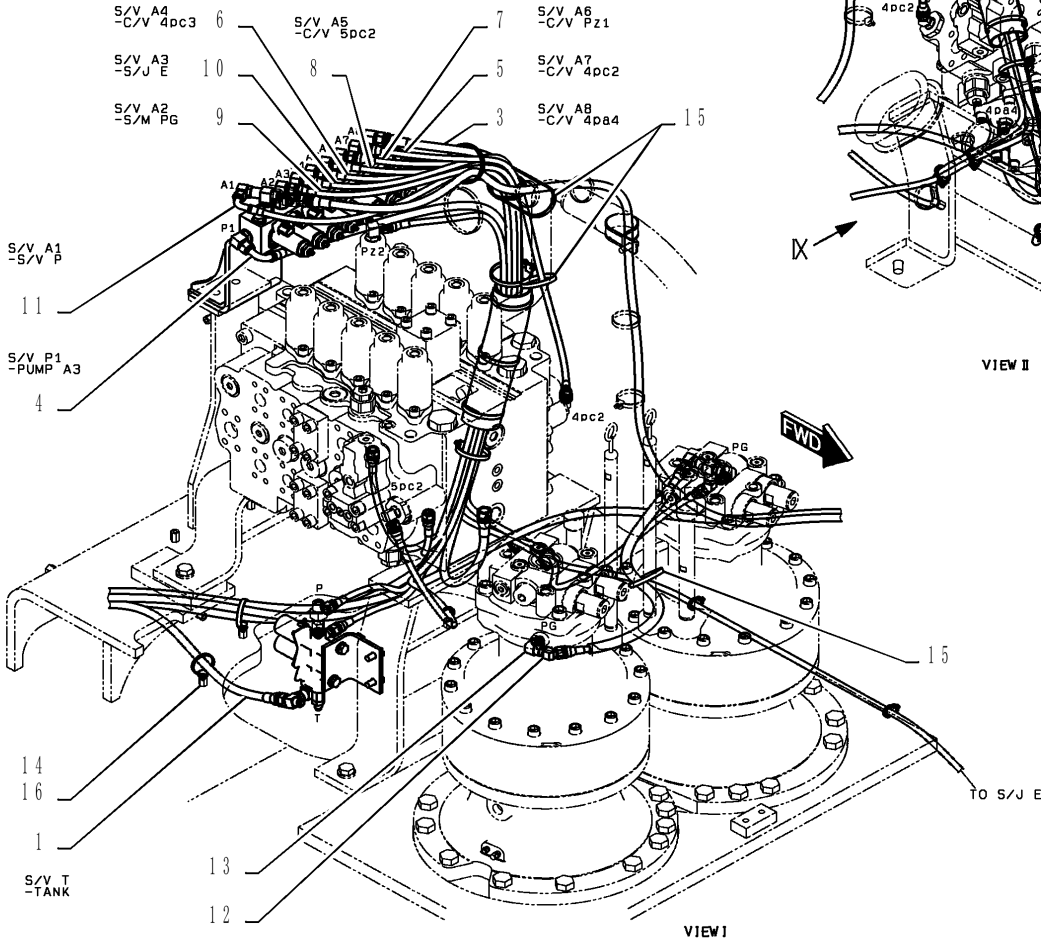


S/V T2  
-TANK



VIEW K

- S/V A4 -C/V 4pc3 6
- S/V A5 -C/V 5pc2 7
- S/V A6 -C/V Pz1 8
- S/V A3 -S/J E 10
- S/V A7 -C/V 4pc2 5
- S/V A2 -S/M PG 9
- S/V A8 -C/V 4pc4 3
- 15



VIEW I

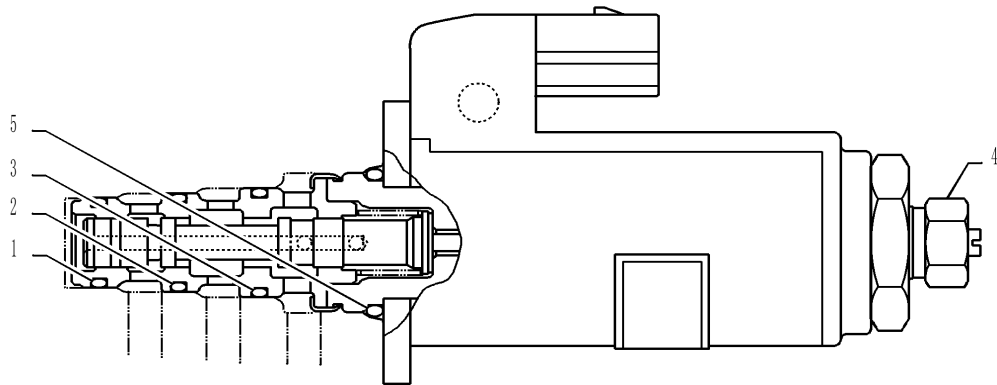
**35.350.AI**

03

p1

9/2013

**SOLENOID VALVE**



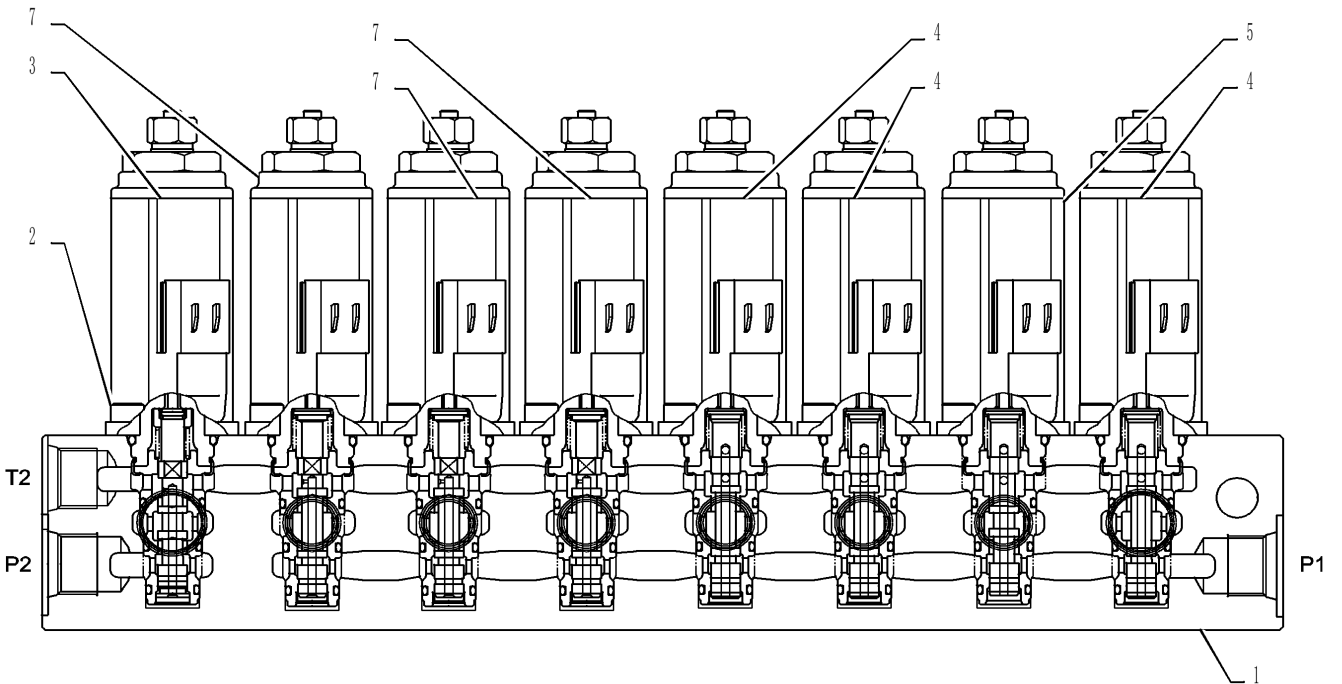
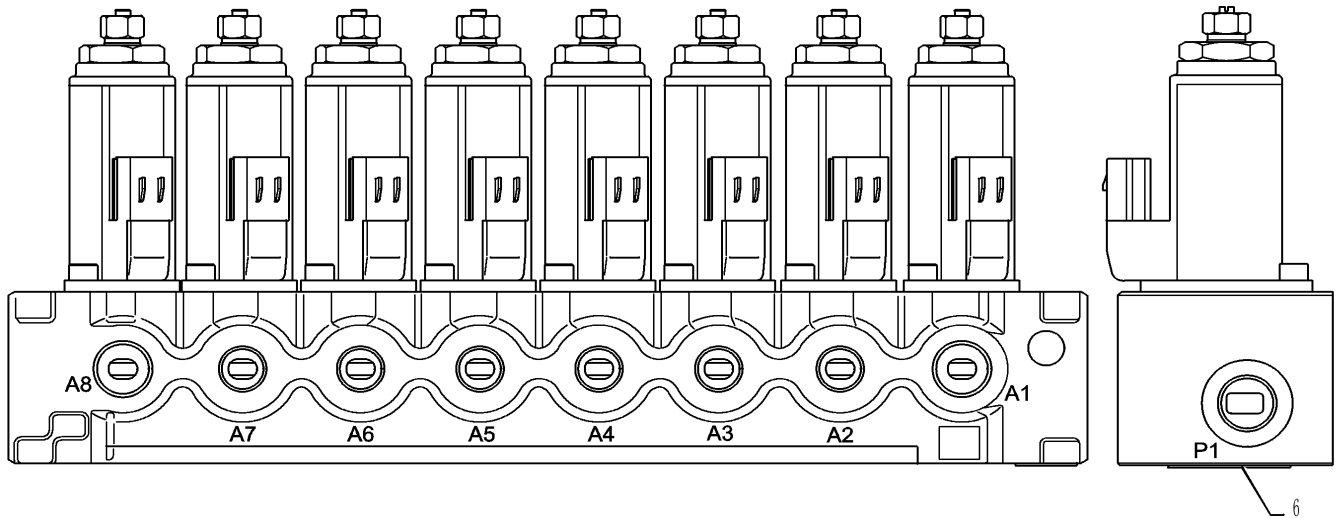
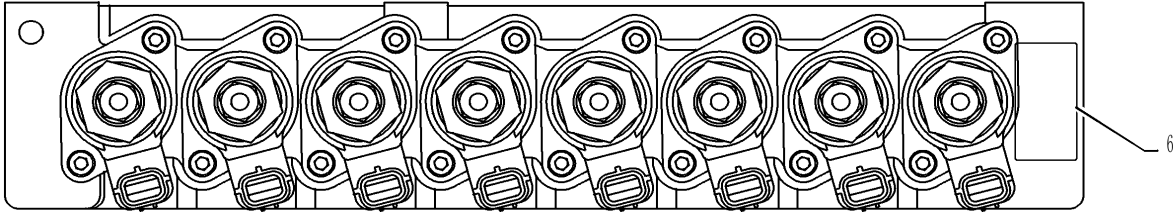
35.350.AI

08

p1

9/2013

SOLENOID VALVE



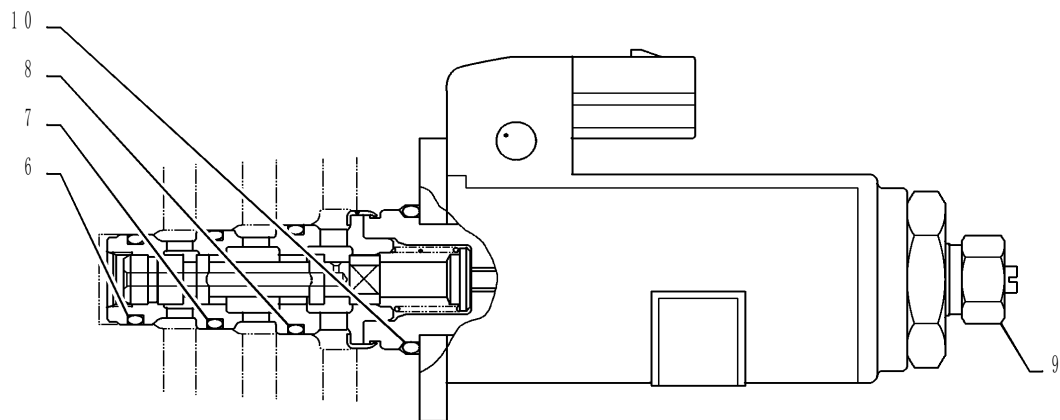
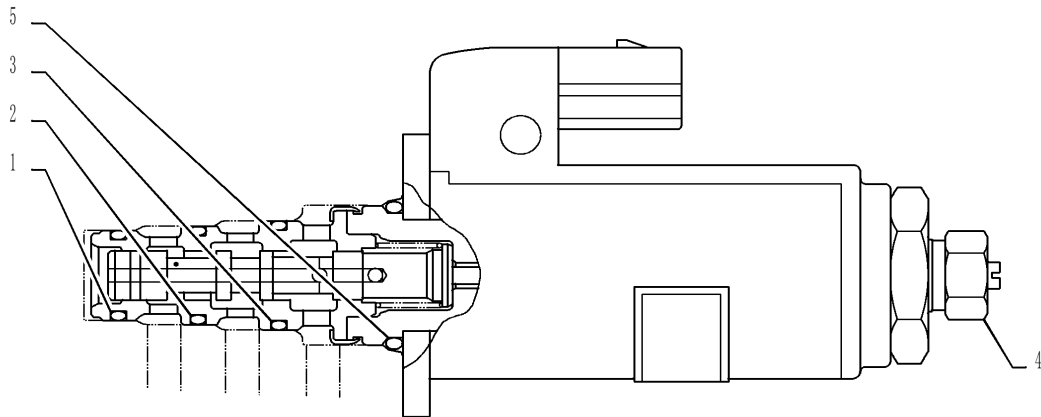
35.350.AI

13

p1

9/2013

SOLENOID VALVE



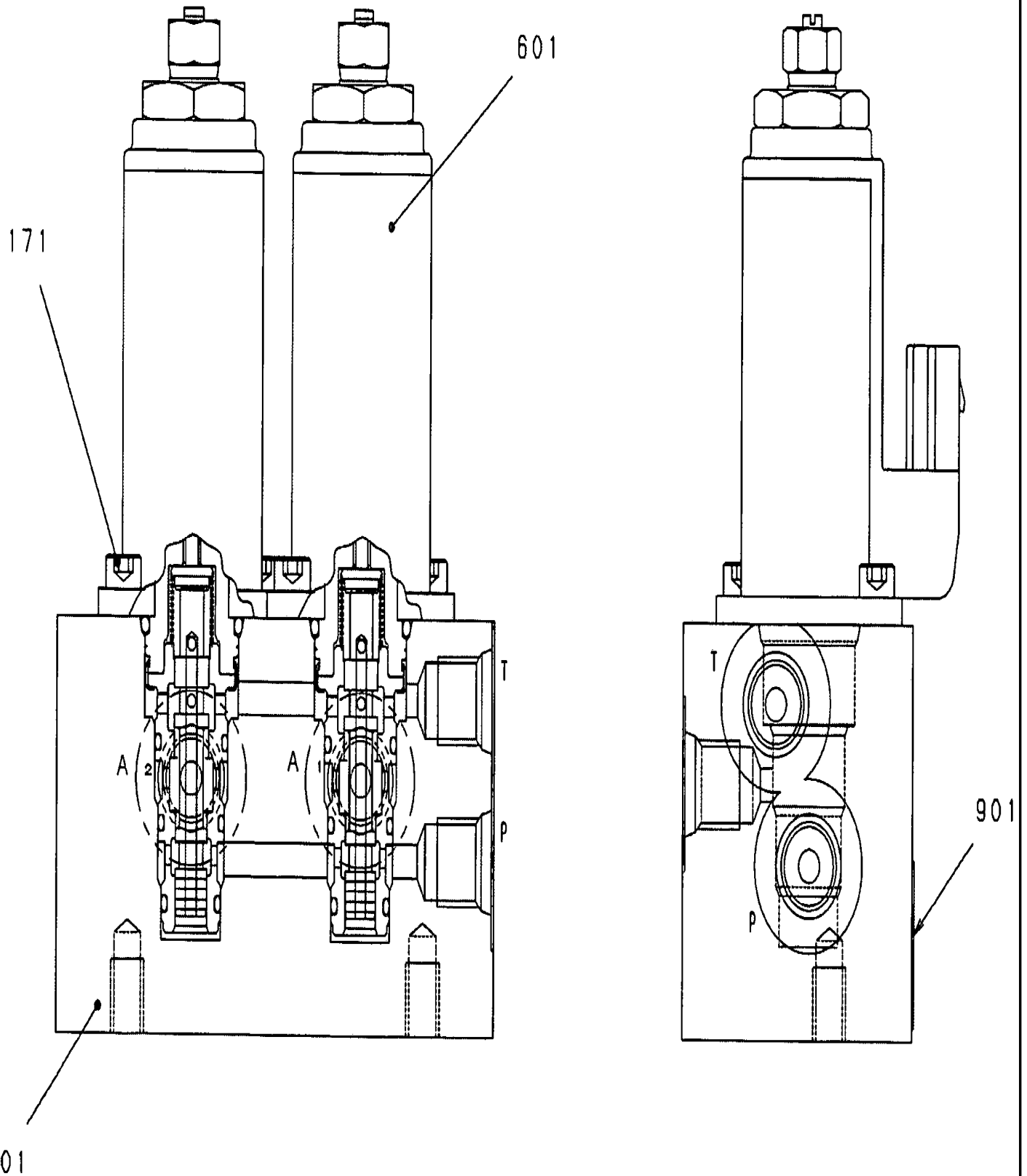
35.350.AI

18

p1

9/2013

SOLENOID VALVE ASSY



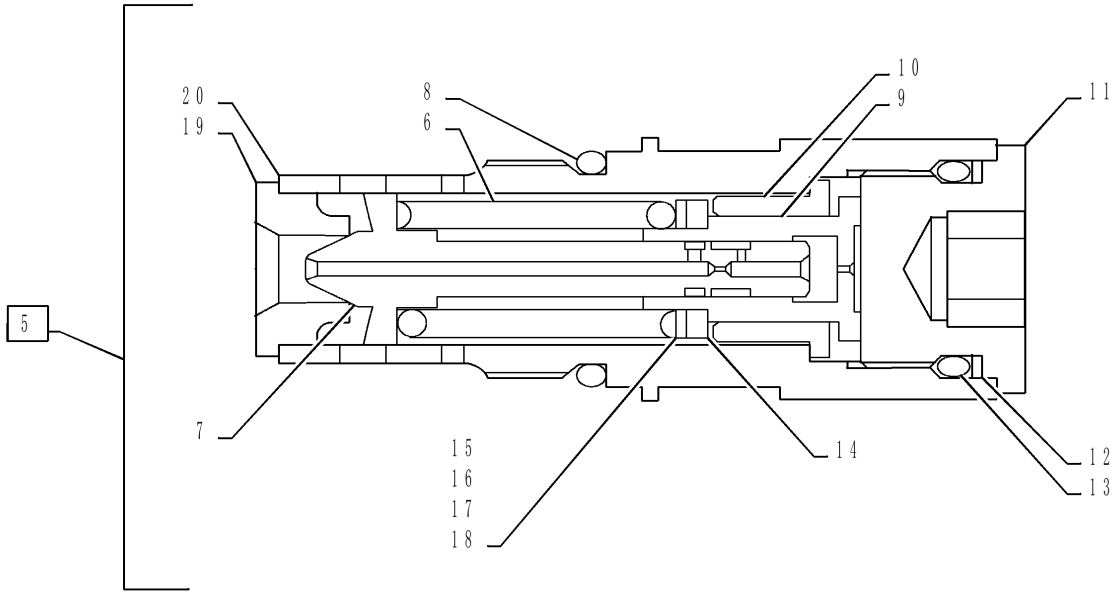
35.353.AB

02

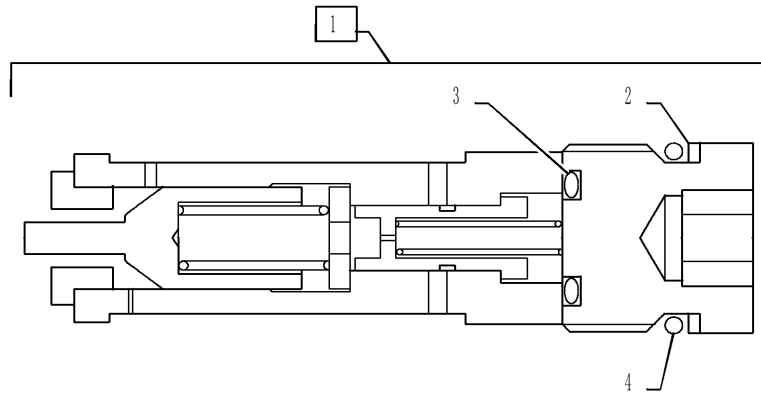
p1

9/2013

MOTOR ASSY (RELIEF VALVE), HYD



SET PRESSURE  
F1:28.5MPa at 215L/min



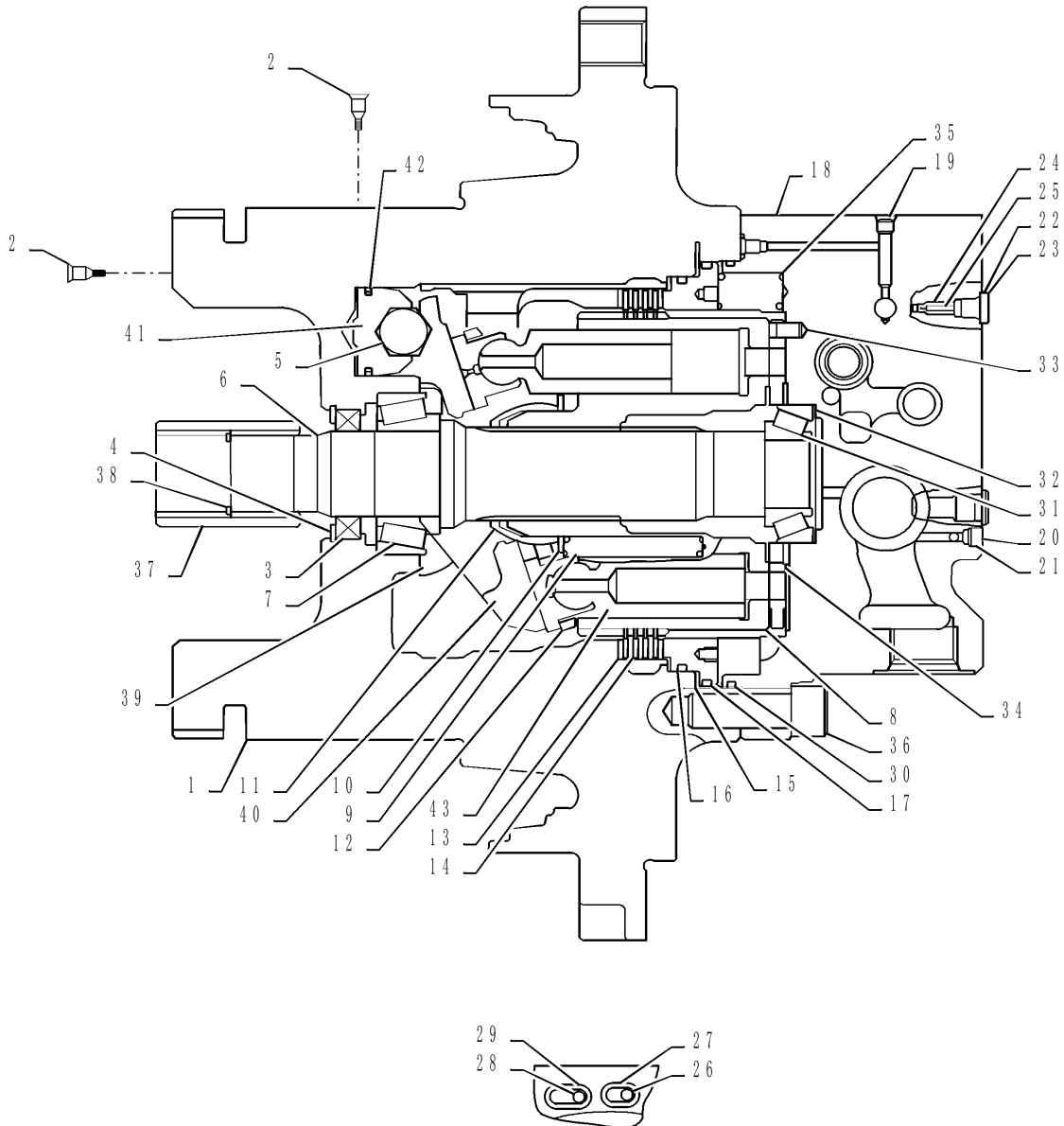
35.353.AD

02

p2

9/2013

MOTOR ASSY, PROPEL



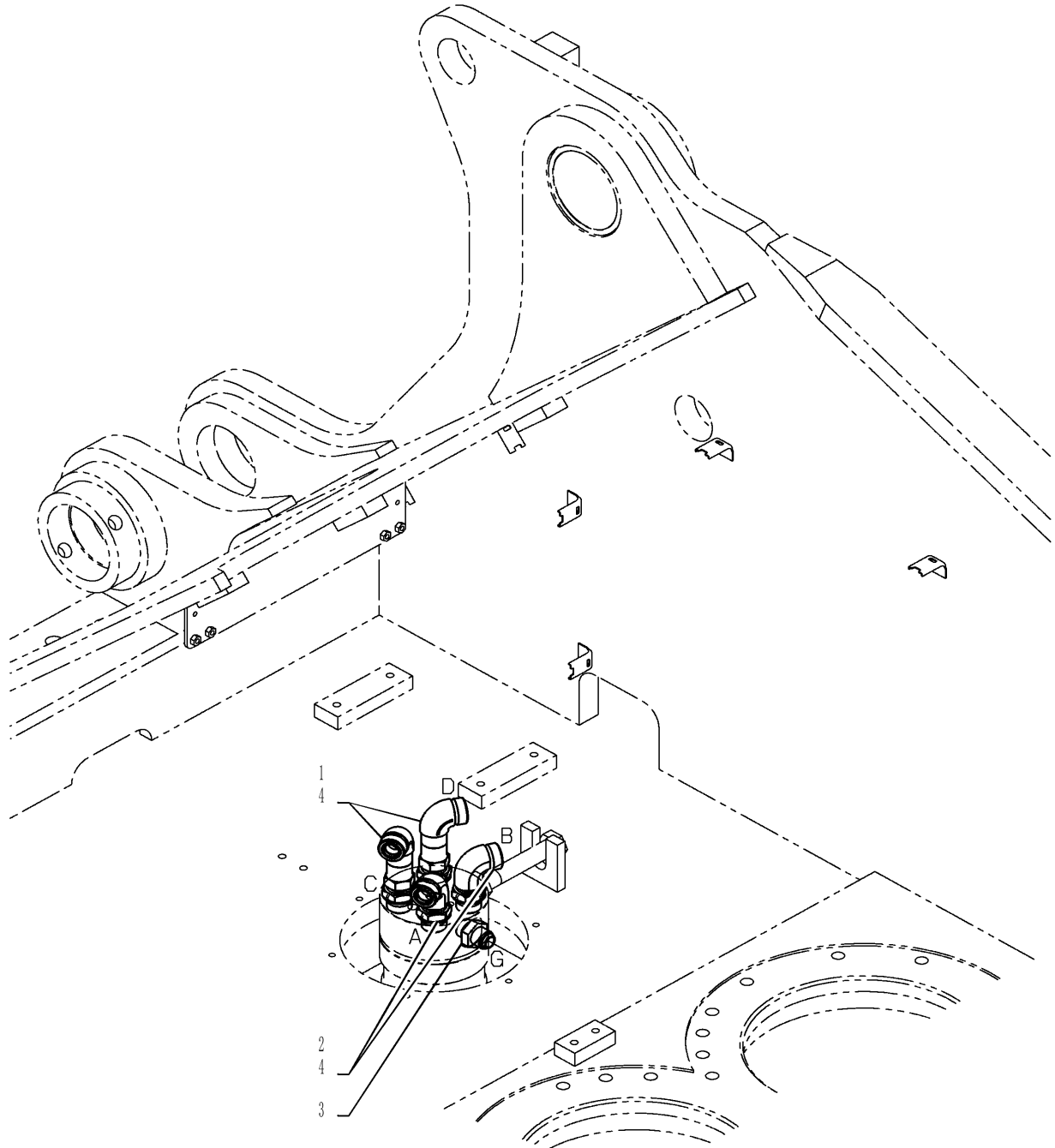
35.354.AF

01

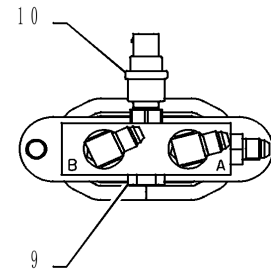
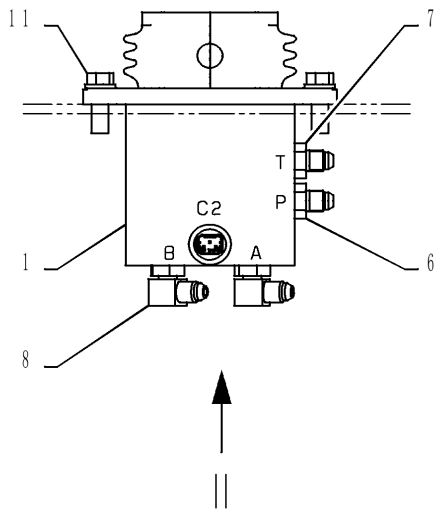
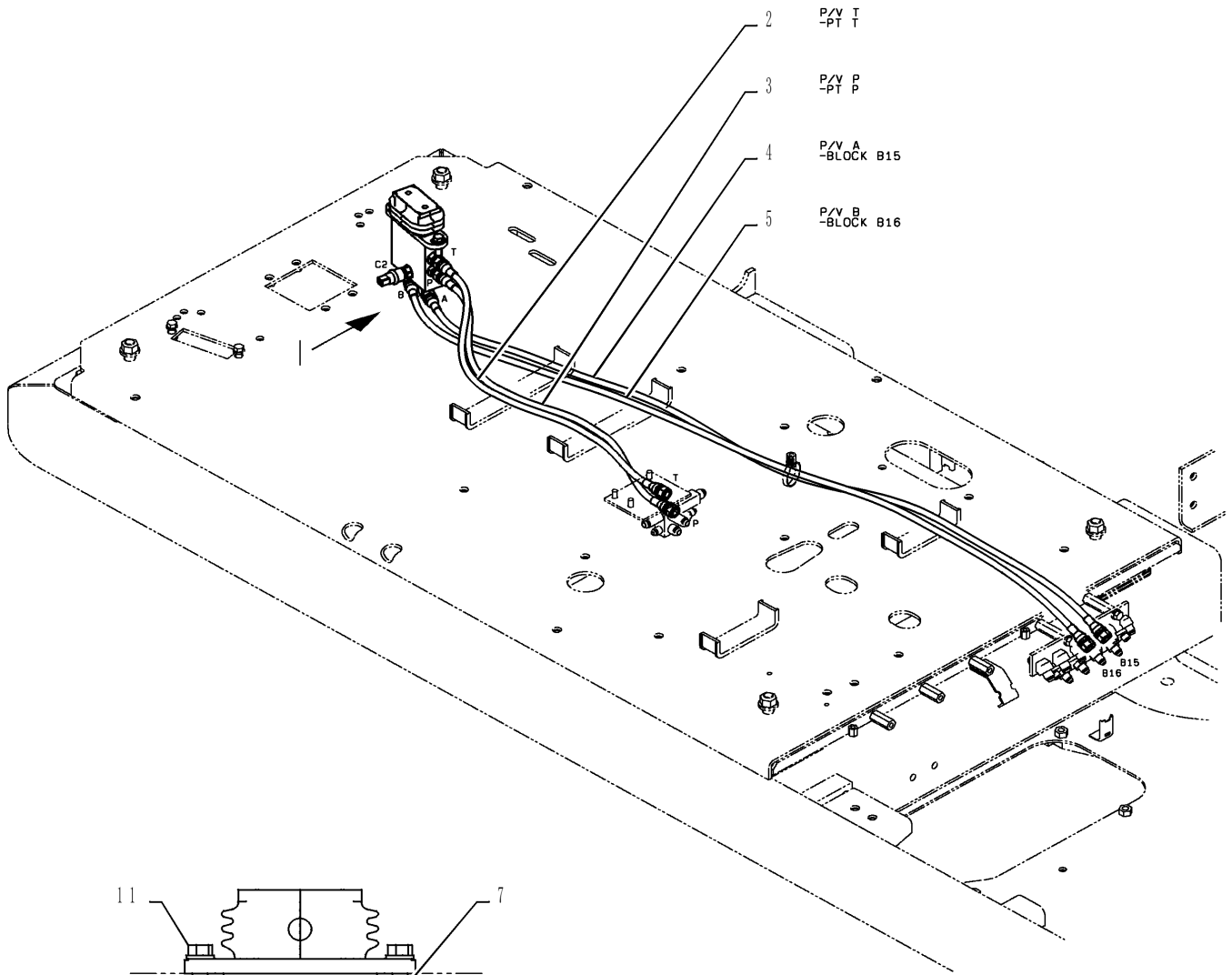
p1

9/2013

HYD. LINES, SWIVEL



CONTROL LINES, REMOTE (NIBBLER & BREAKER)

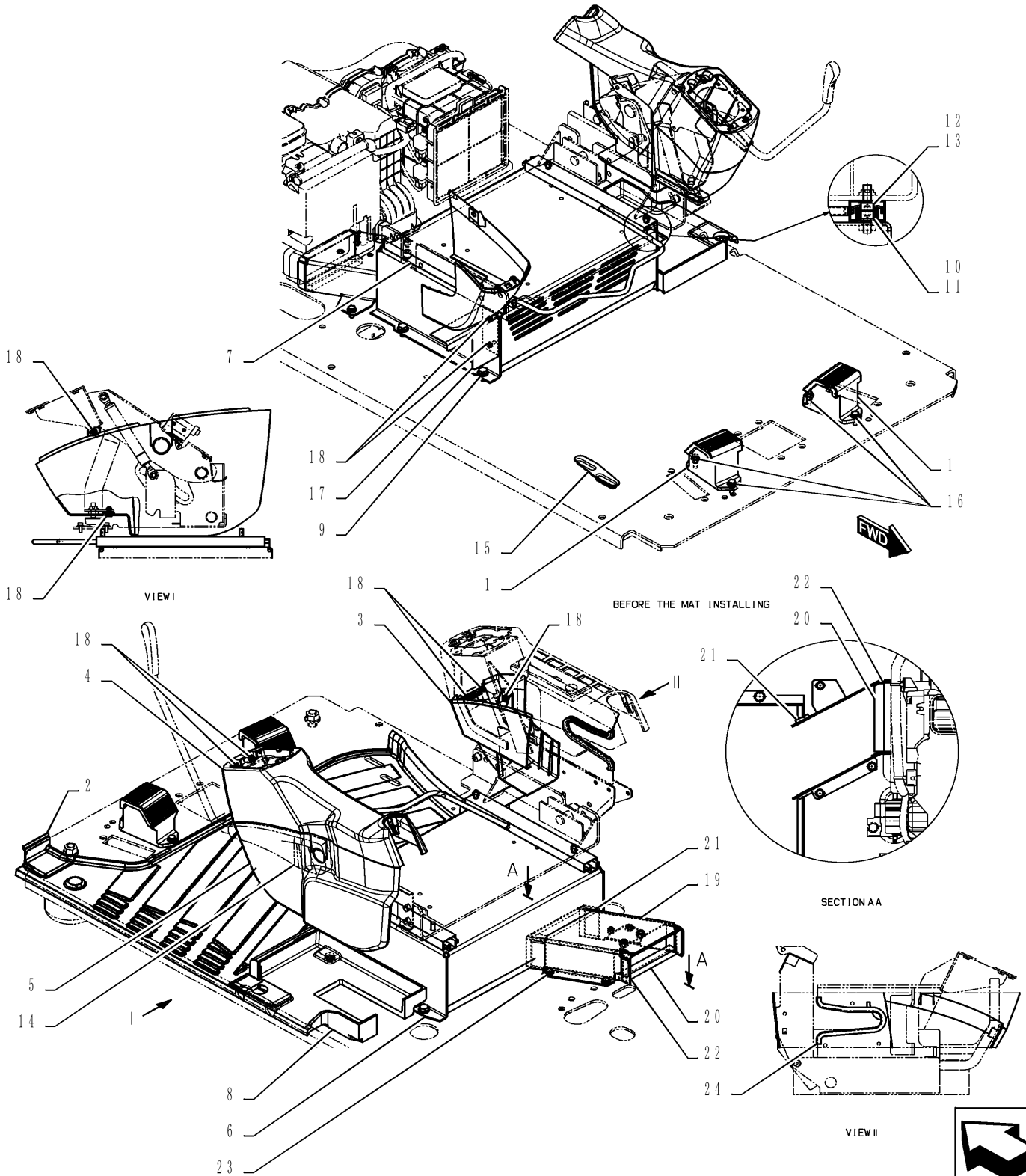


VIEW I

VIEW II



CONTROLS, OPERATOR



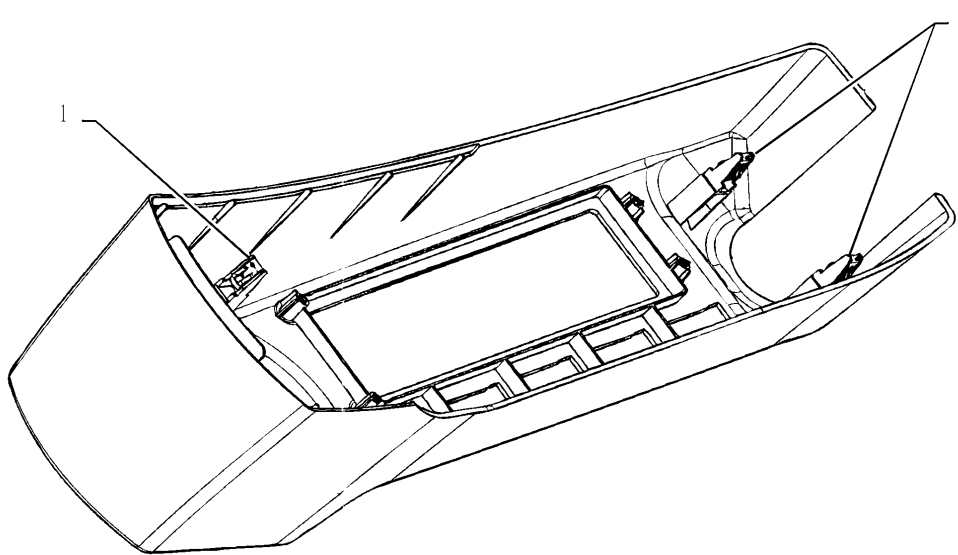
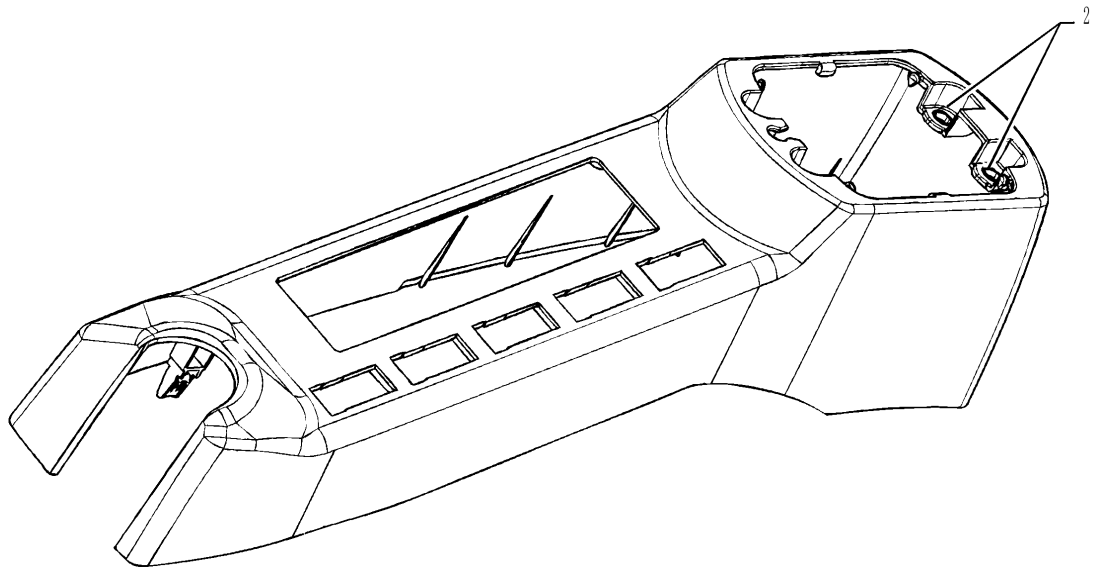
35.355.AK

04

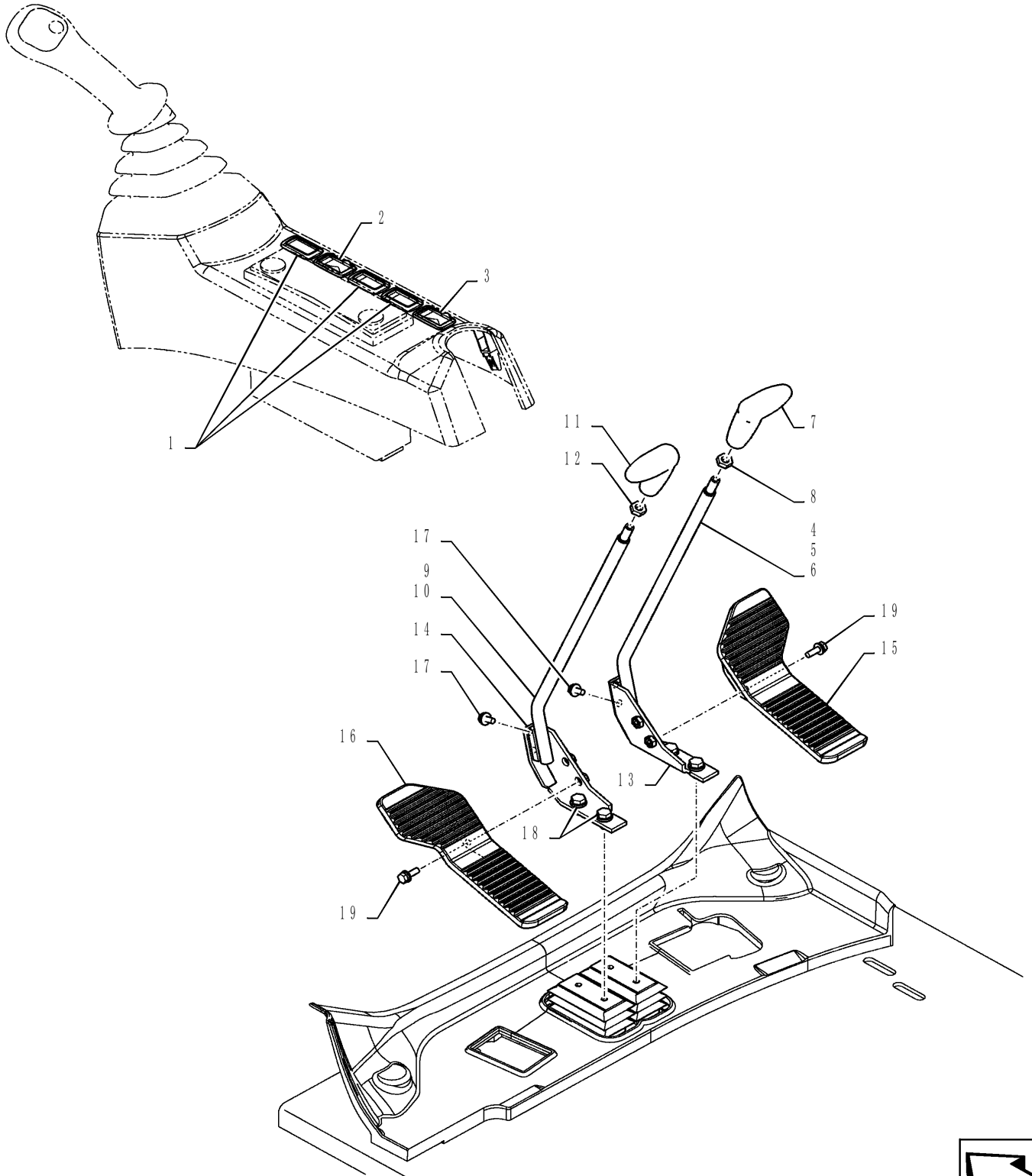
p1

9/2013

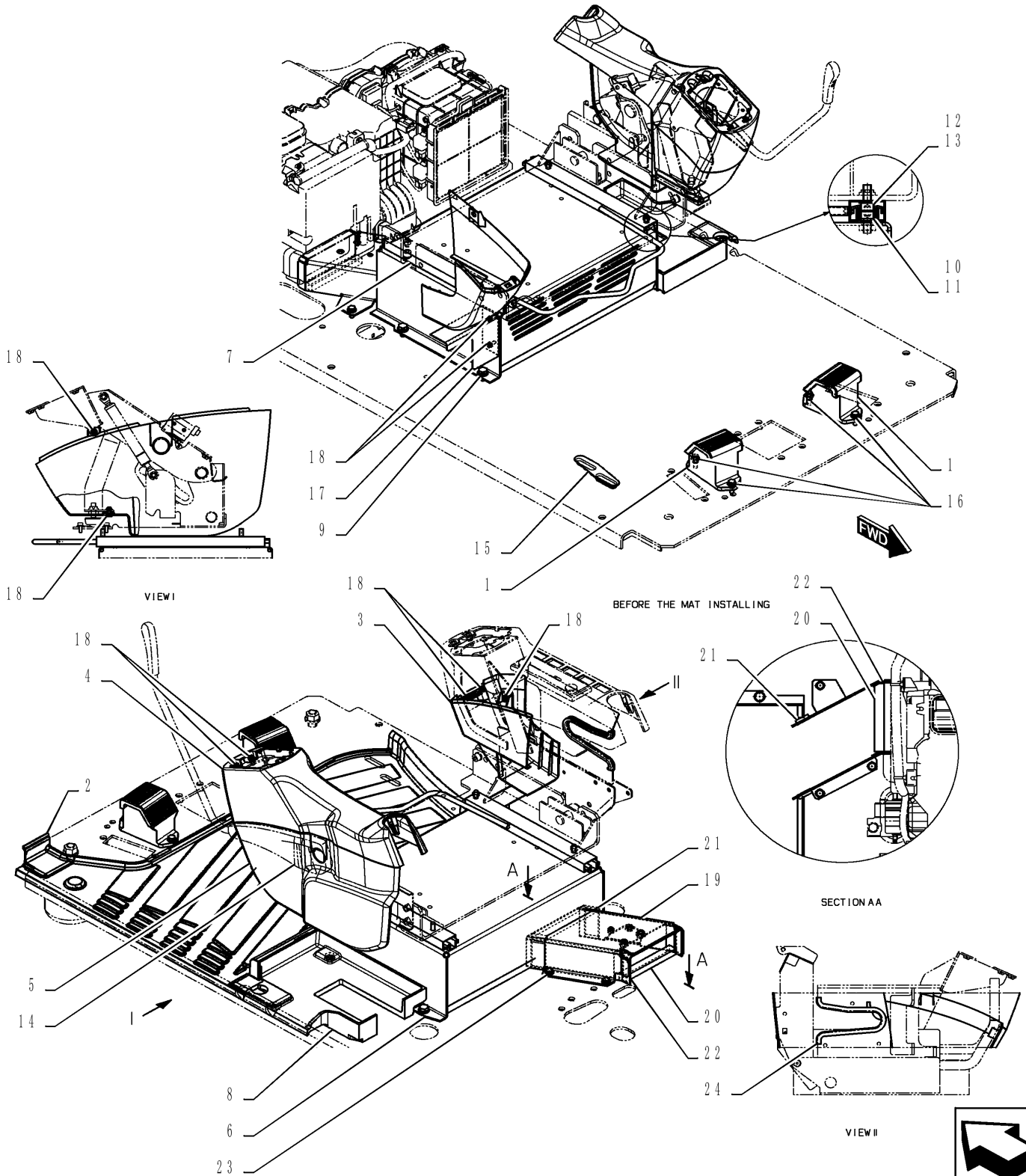
CONTROLS, OPERATOR



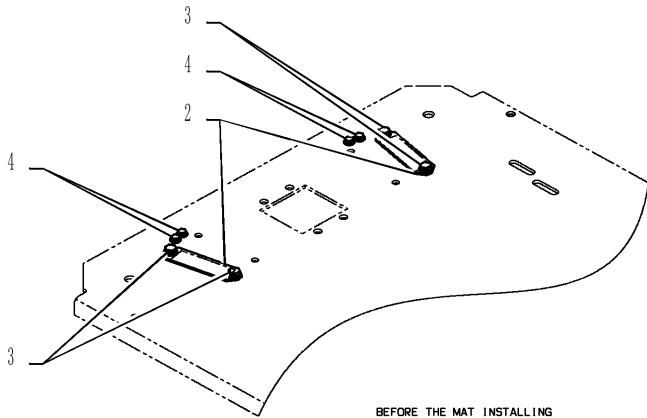
CONTROLS, OPERATORS (EXTRA, NIBBLER & BREAKER)



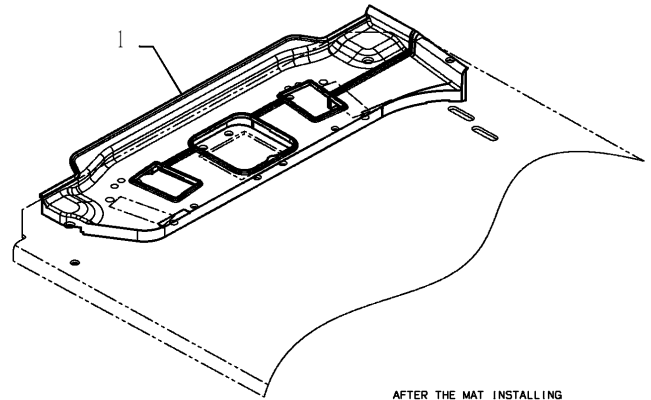
CONTROLS, OPERATORS (NIBBLER & BREAKER)



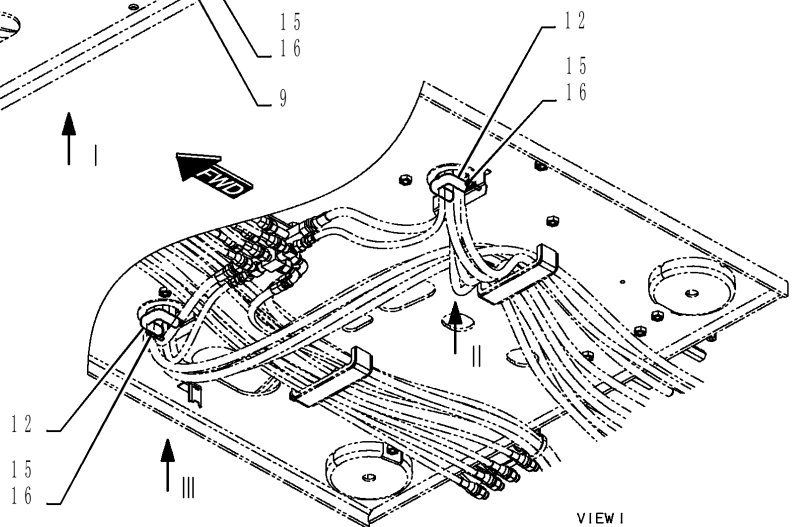
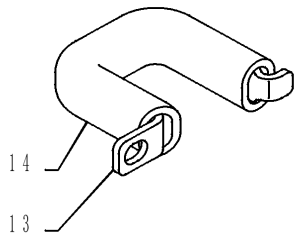
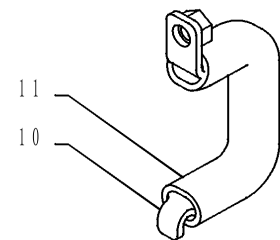
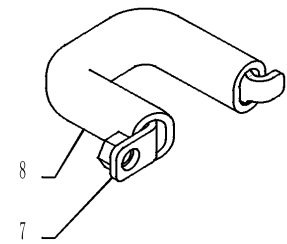
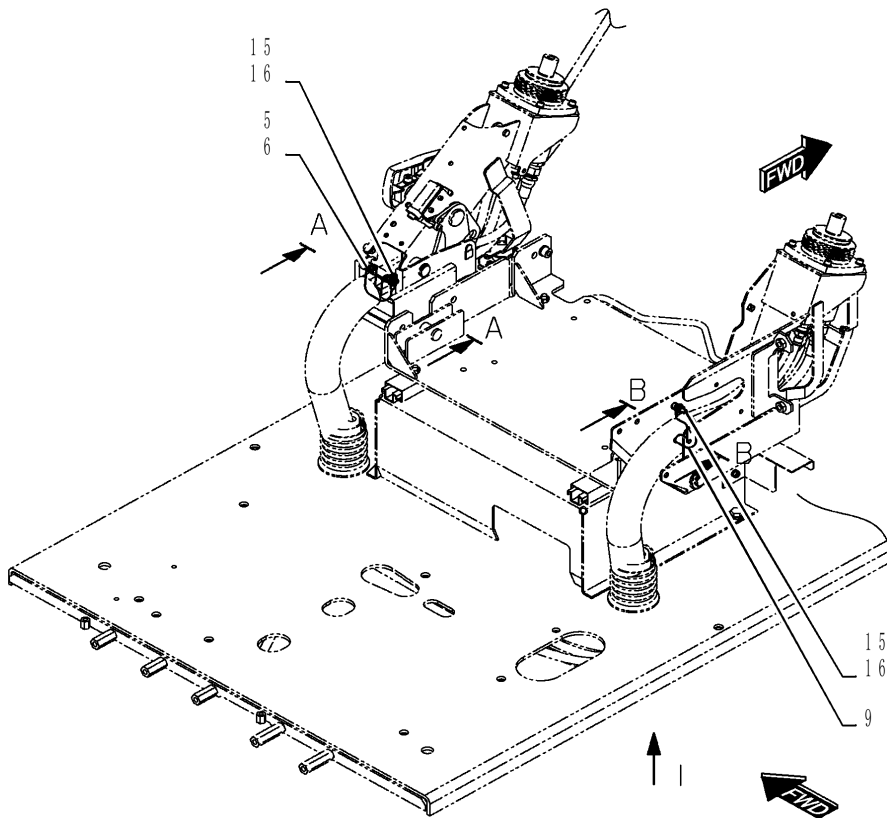
CONTROLS, OPERATORS (NIBBLER & BREAKER)



BEFORE THE MAT INSTALLING



AFTER THE MAT INSTALLING



VIEW I

CLICK HERE TO **DOWNLOAD** THE COMPLETE MANUAL

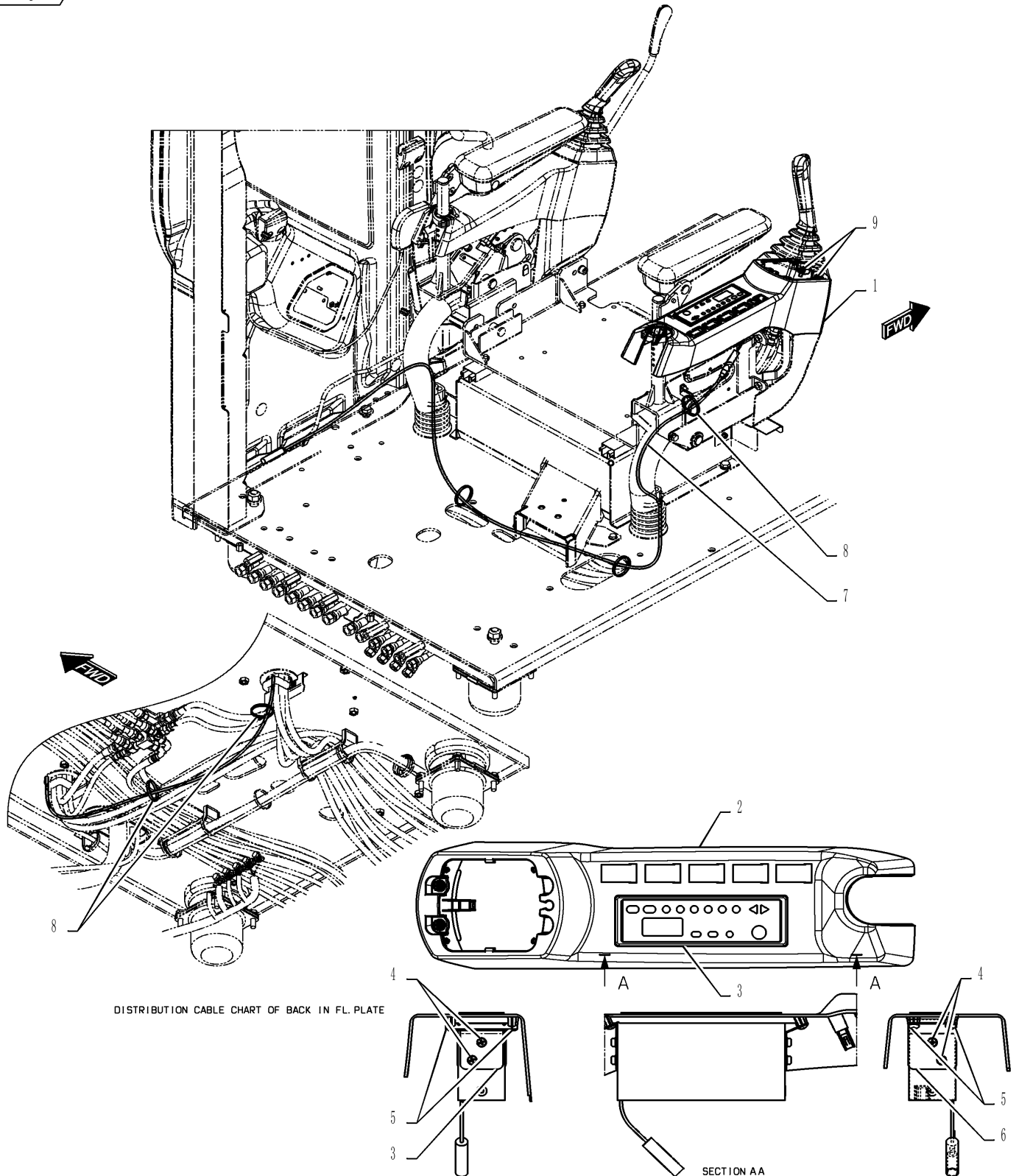
- Thank you very much for reading the preview of the manual.
- You can download the complete manual from: [www.heydownloads.com](http://www.heydownloads.com) by clicking the link below



- Please note: If there is no response to CLICKING the link, please download this PDF first and then click on it.

CLICK HERE TO **DOWNLOAD** THE COMPLETE MANUAL

CONTROLS, OPERATORS (1 PEDAL)



DISTRIBUTION CABLE CHART OF BACK IN FL. PLATE

SECTION AA

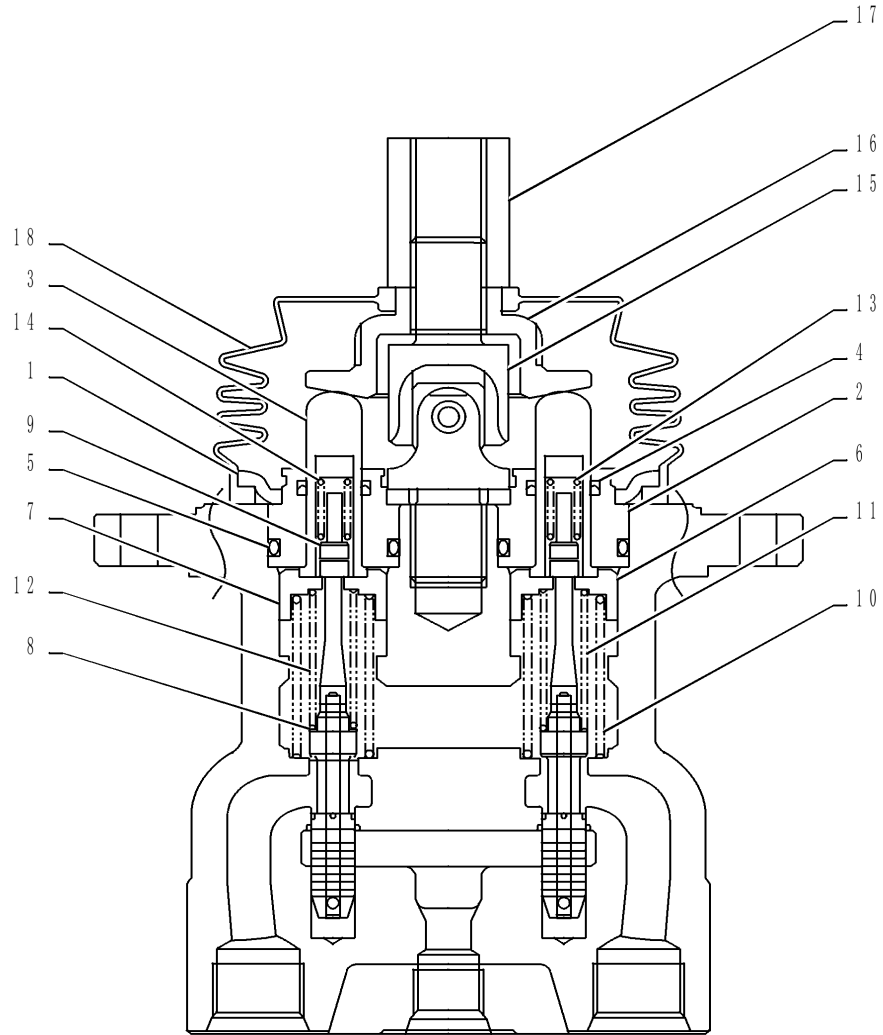
**35.357.AL**

01

p1

9/2013

**VALVE ASSY, PILOT**



PORTS 2&4

PORTS 1&3

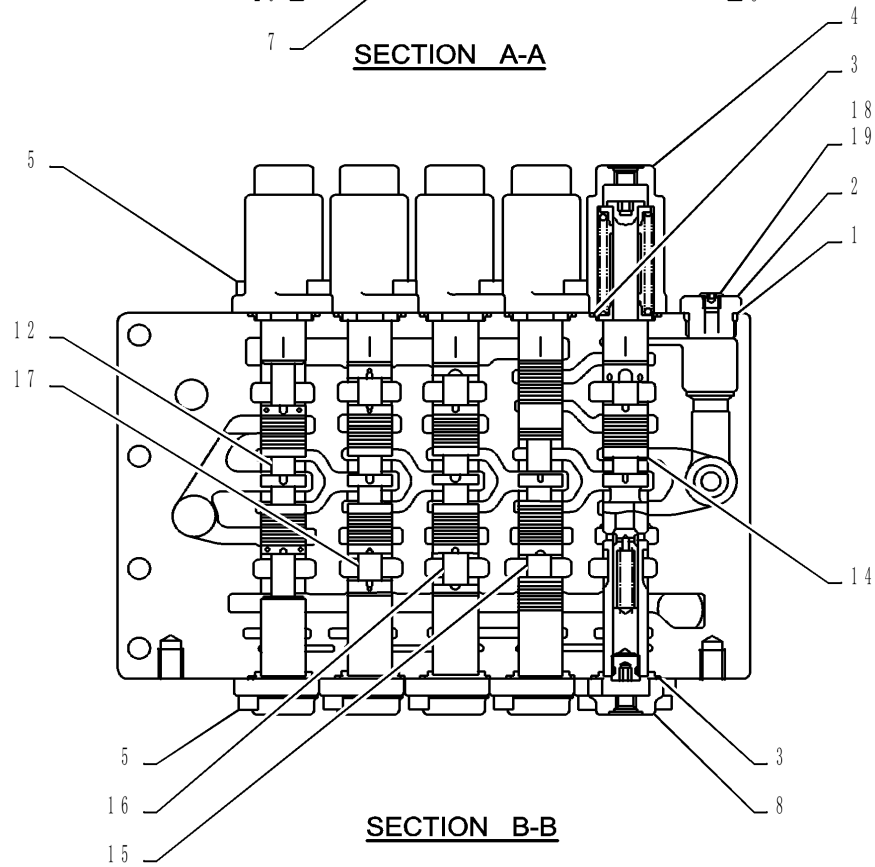
35.359.AB

04

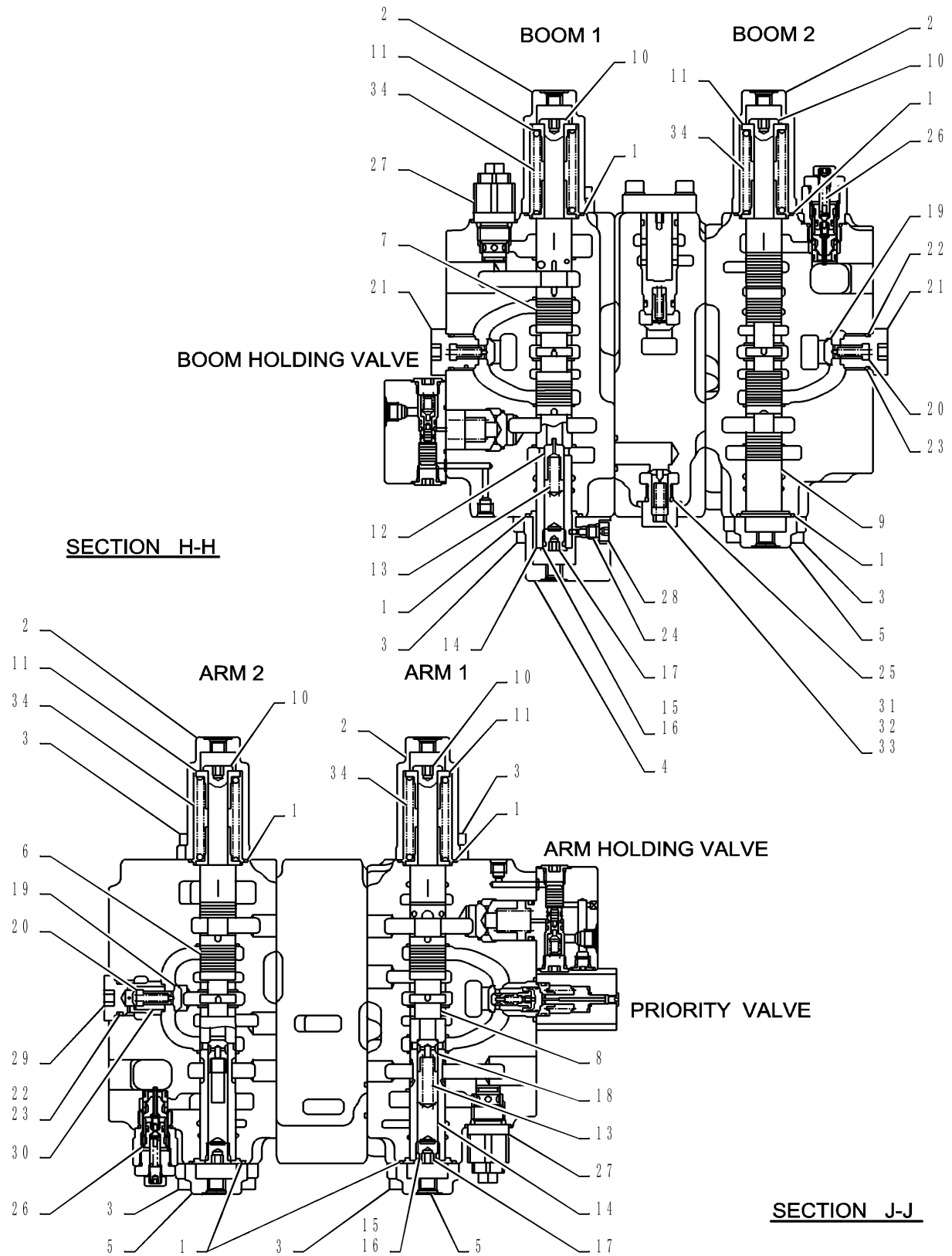
p1

9/2013

CONTROL VALVE ASSY



CONTROL VALVE ASSY



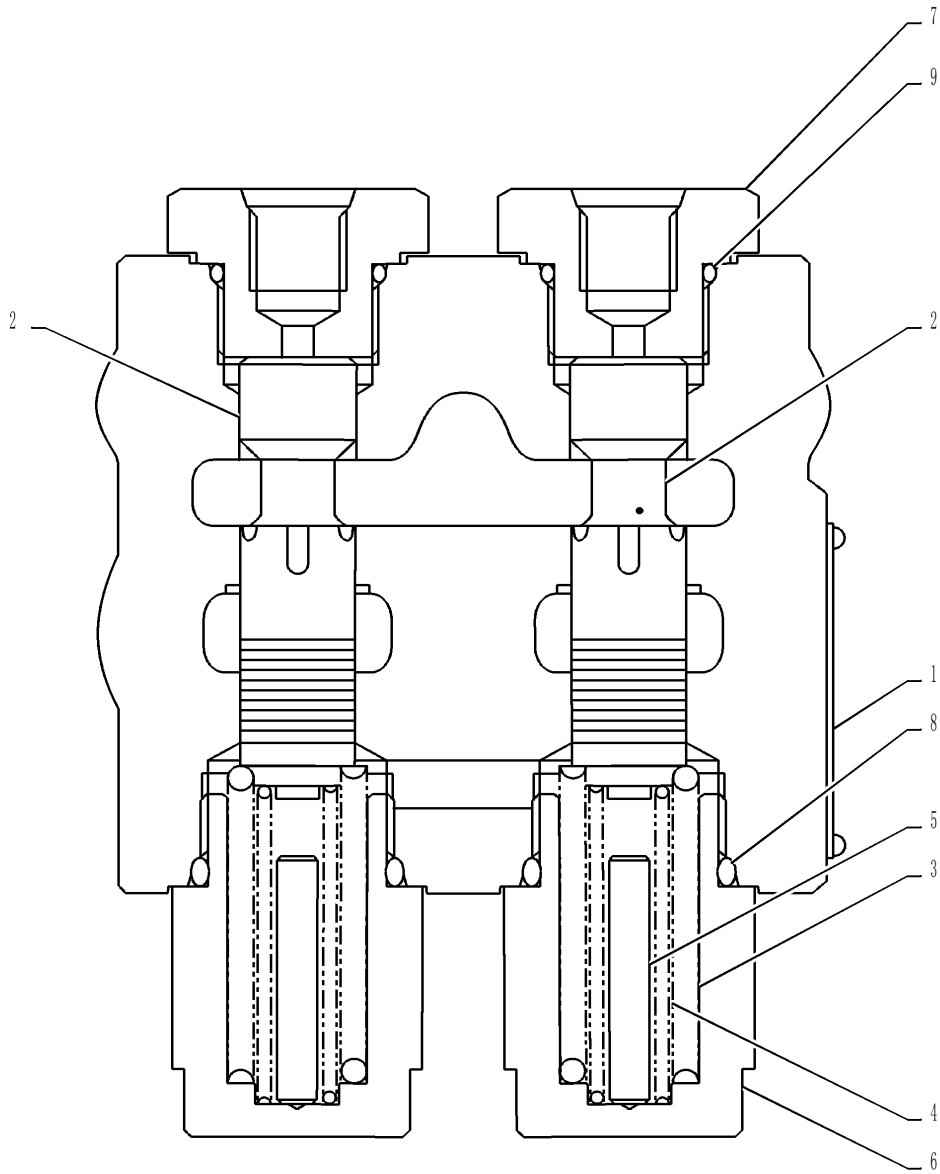
35.359.AB

10

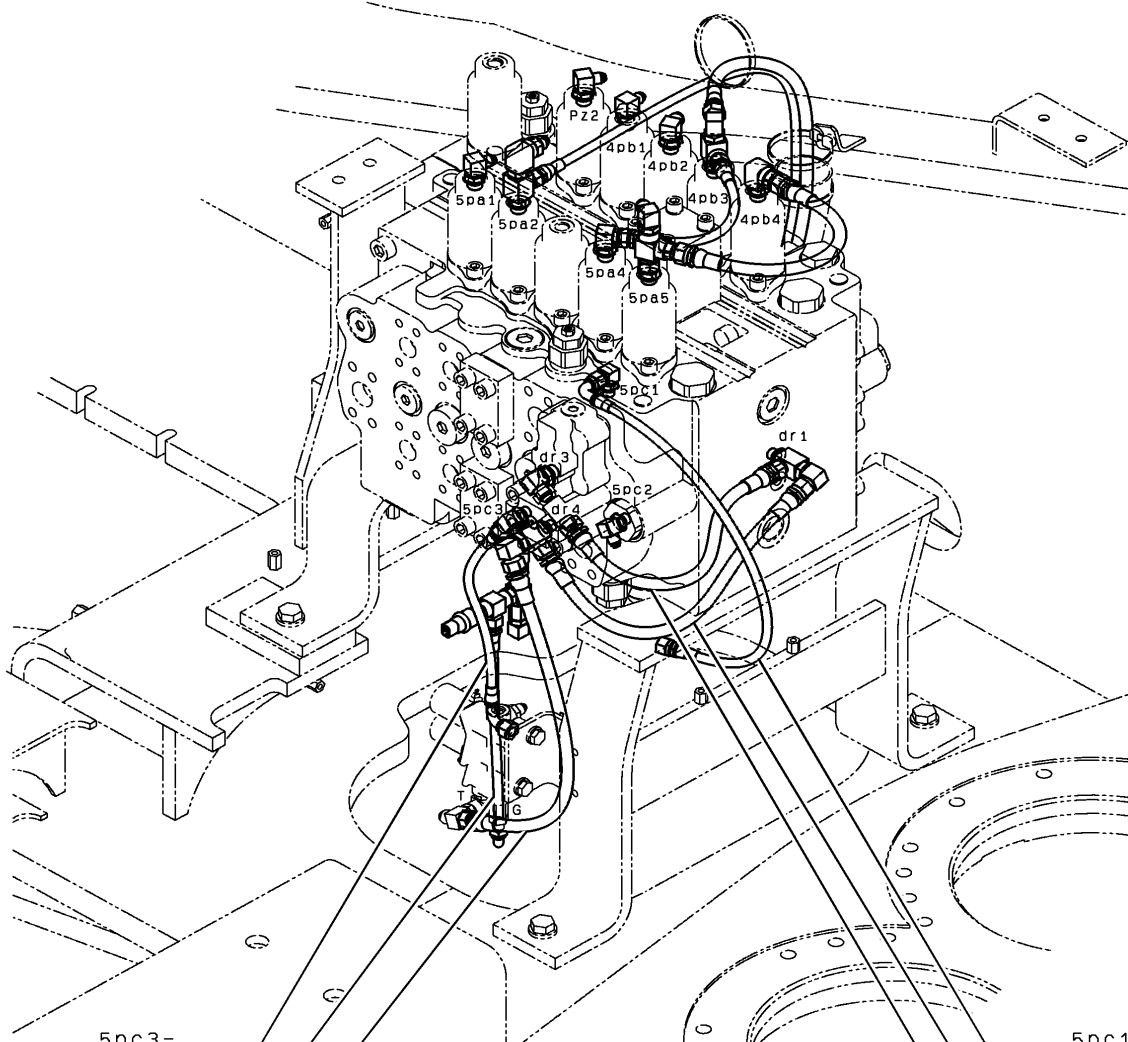
p1

9/2013

CONTROL VALVE ASSY



CONTROL LINES, MAIN (1PLUG)



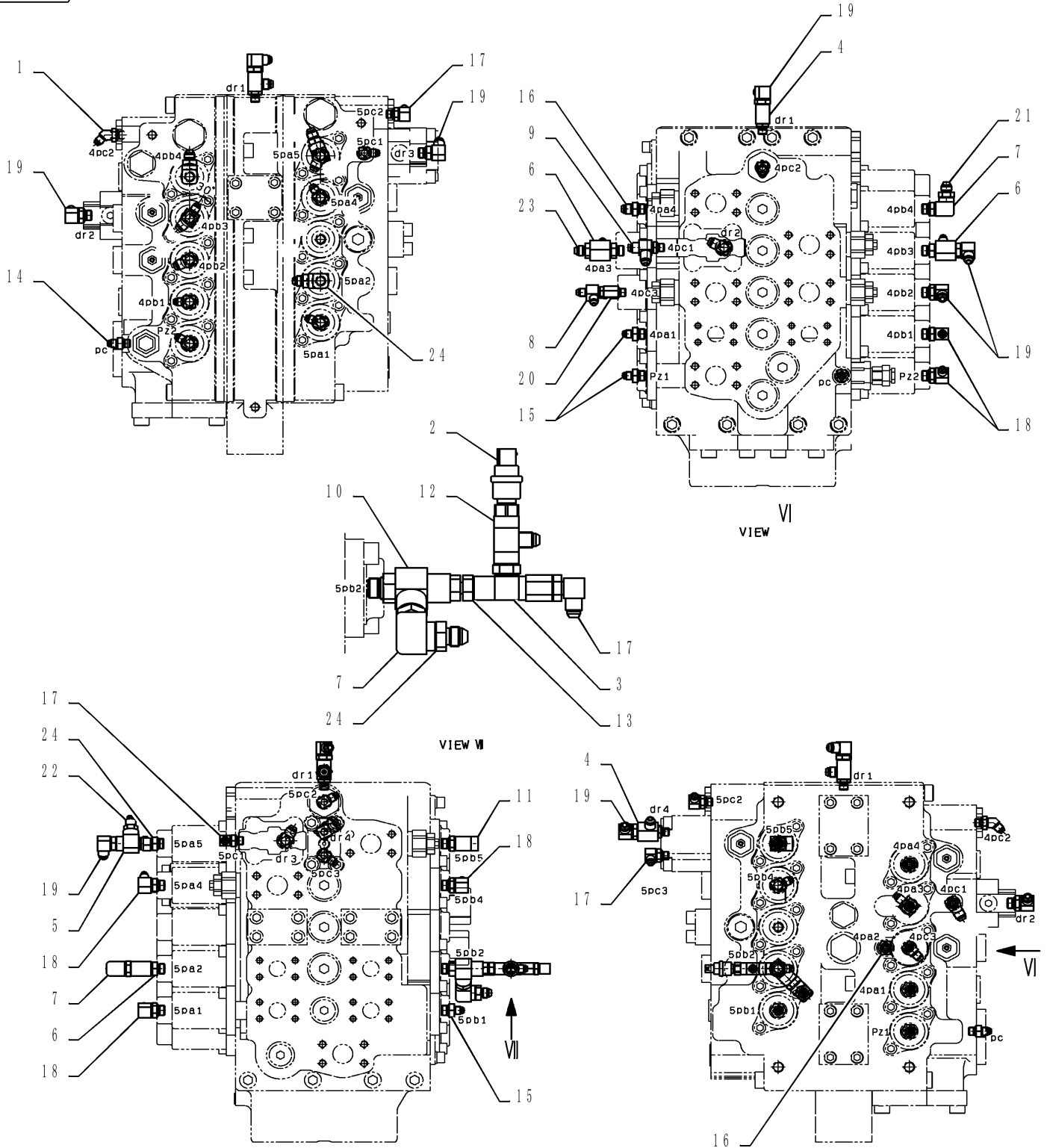
- 5pc3-  
S/V B 1
- 5pb2-  
S/V G 6
- dr4-  
S/V T 3

- 5pc1-  
5pb5 5
- dr1-  
dr4 2
- dr3-  
dr1 4

VIEW 1

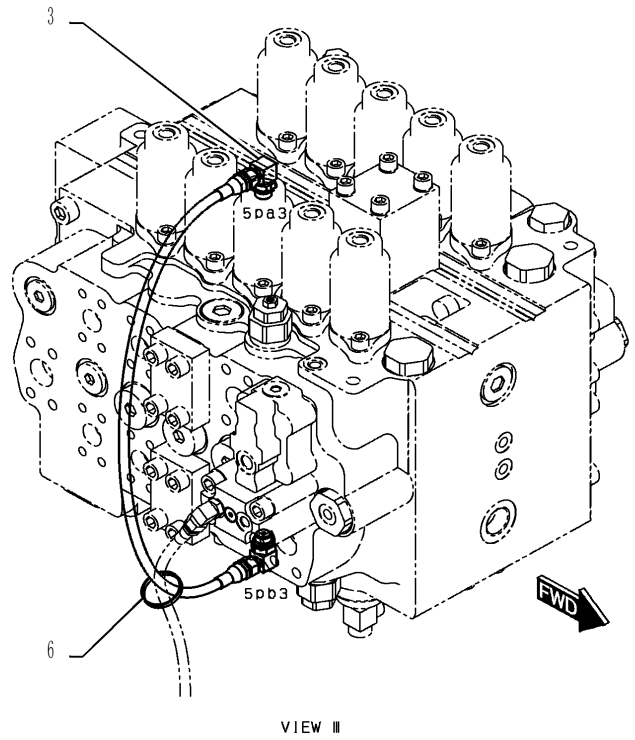
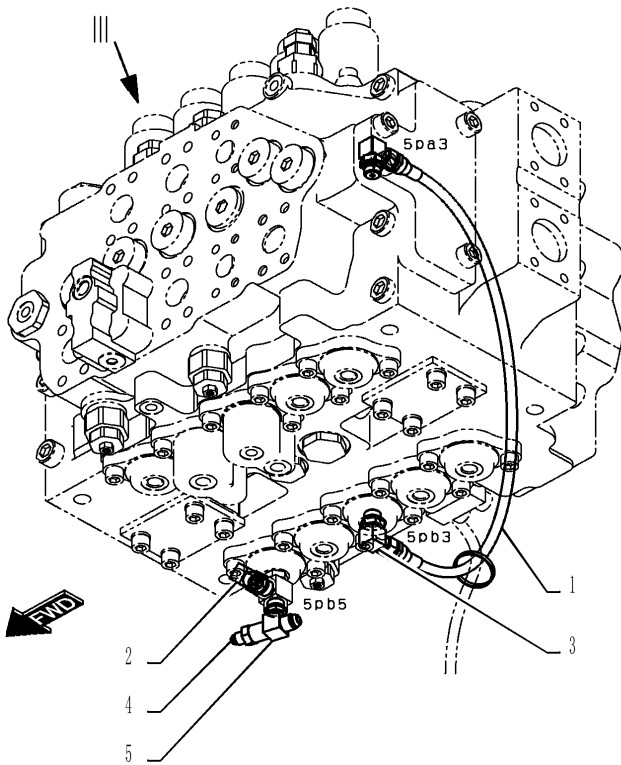


CONTROL LINES, MAIN (NIBBLER & BREAKER) (JUN 21 2011 10:08:00.0145 AM)



CONNECTOR INSTALLING DWG.

CONTROL LINES, MAIN



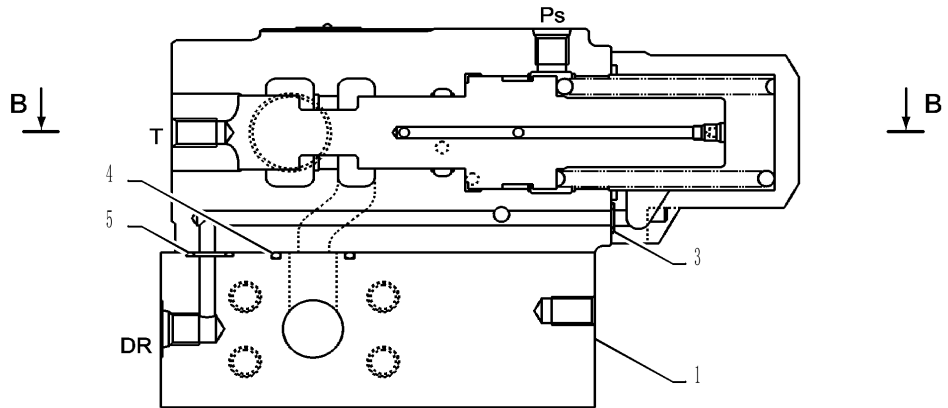
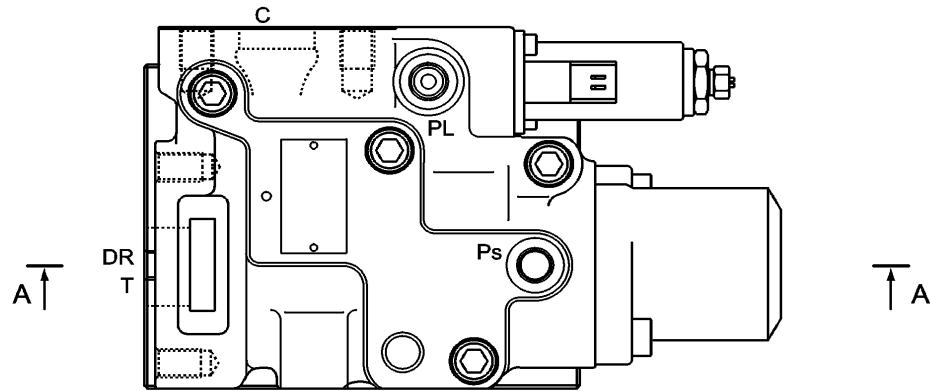
35.359.AW

01

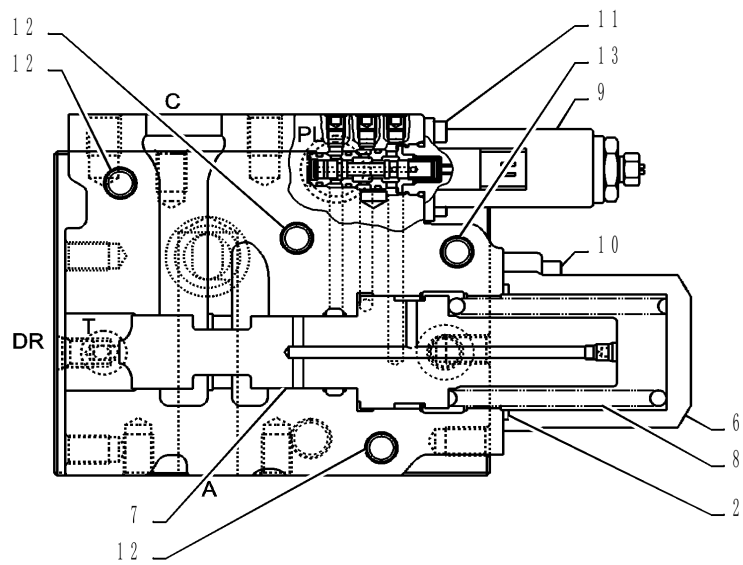
p1

9/2013

VALVE, SELECTOR

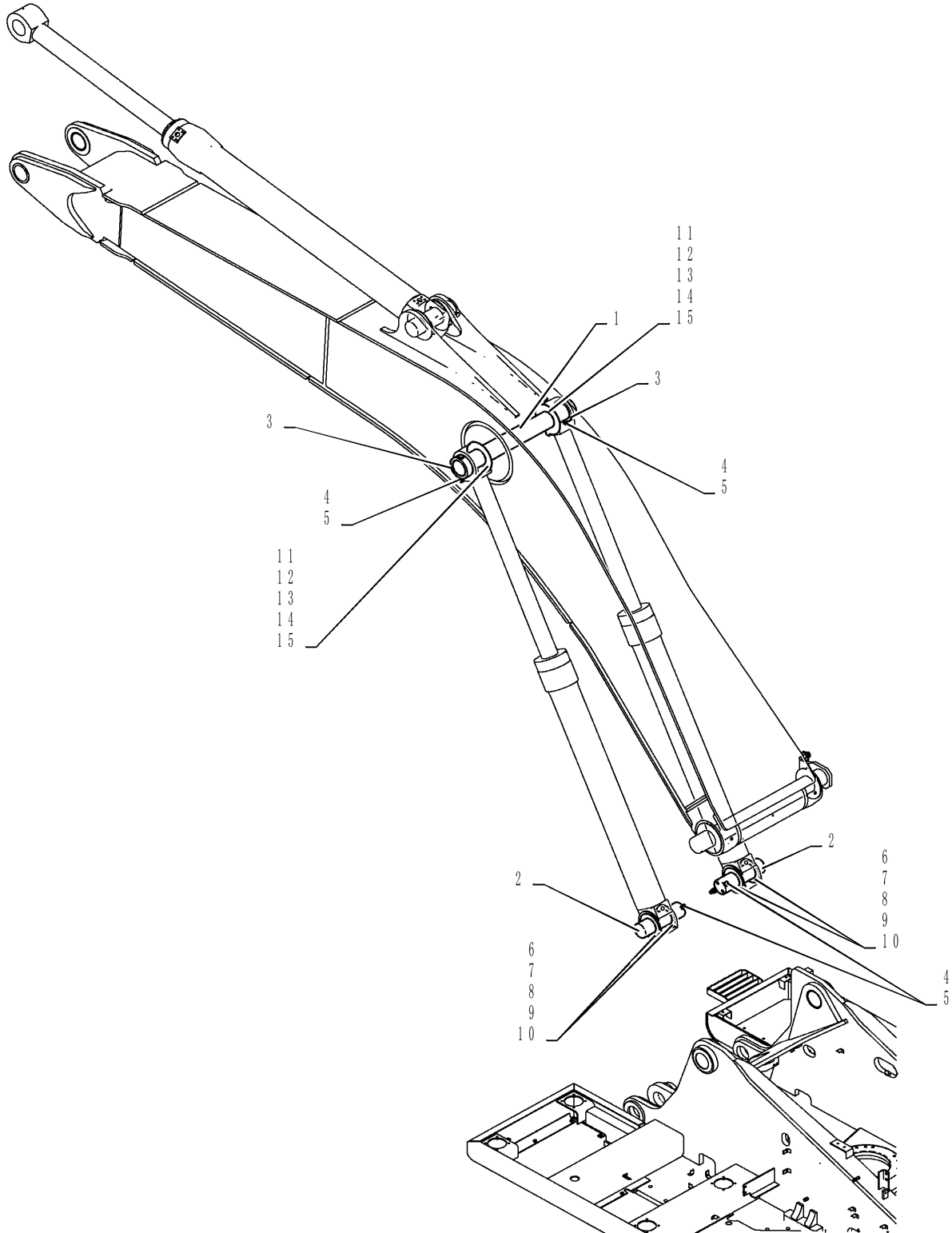


SECTION A-A



SECTION B-B

CYLINDER INSTALL (BOOM)





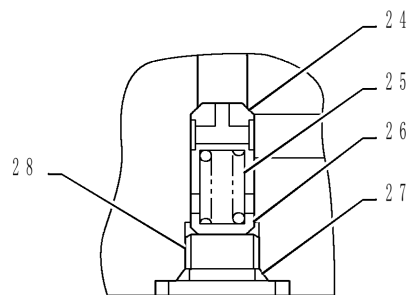
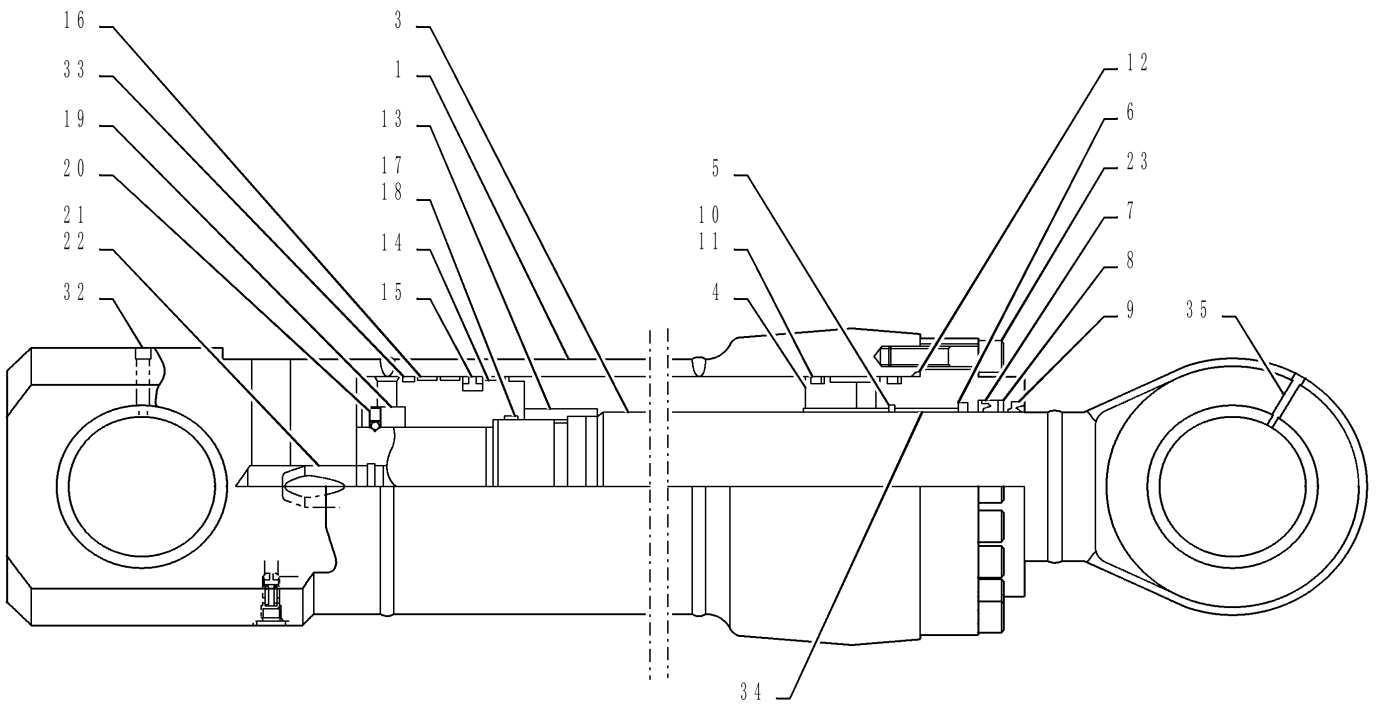
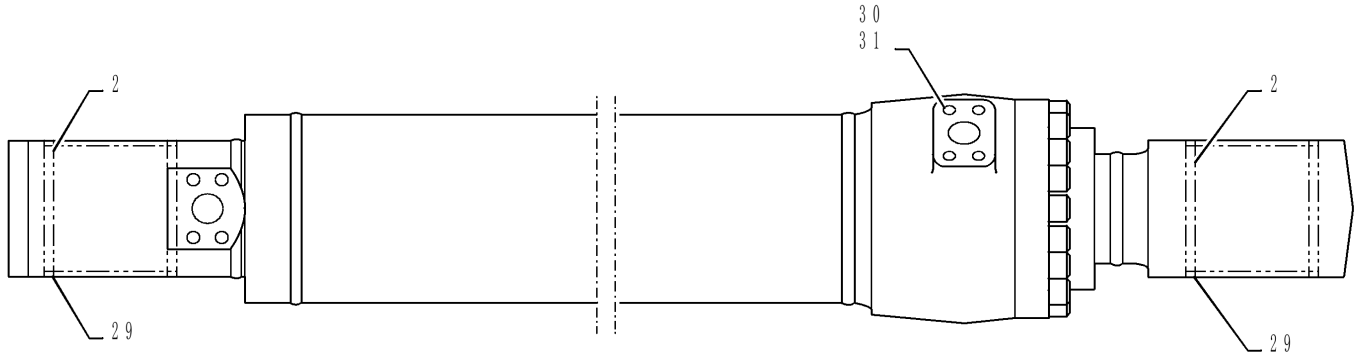
35.737.AA

03

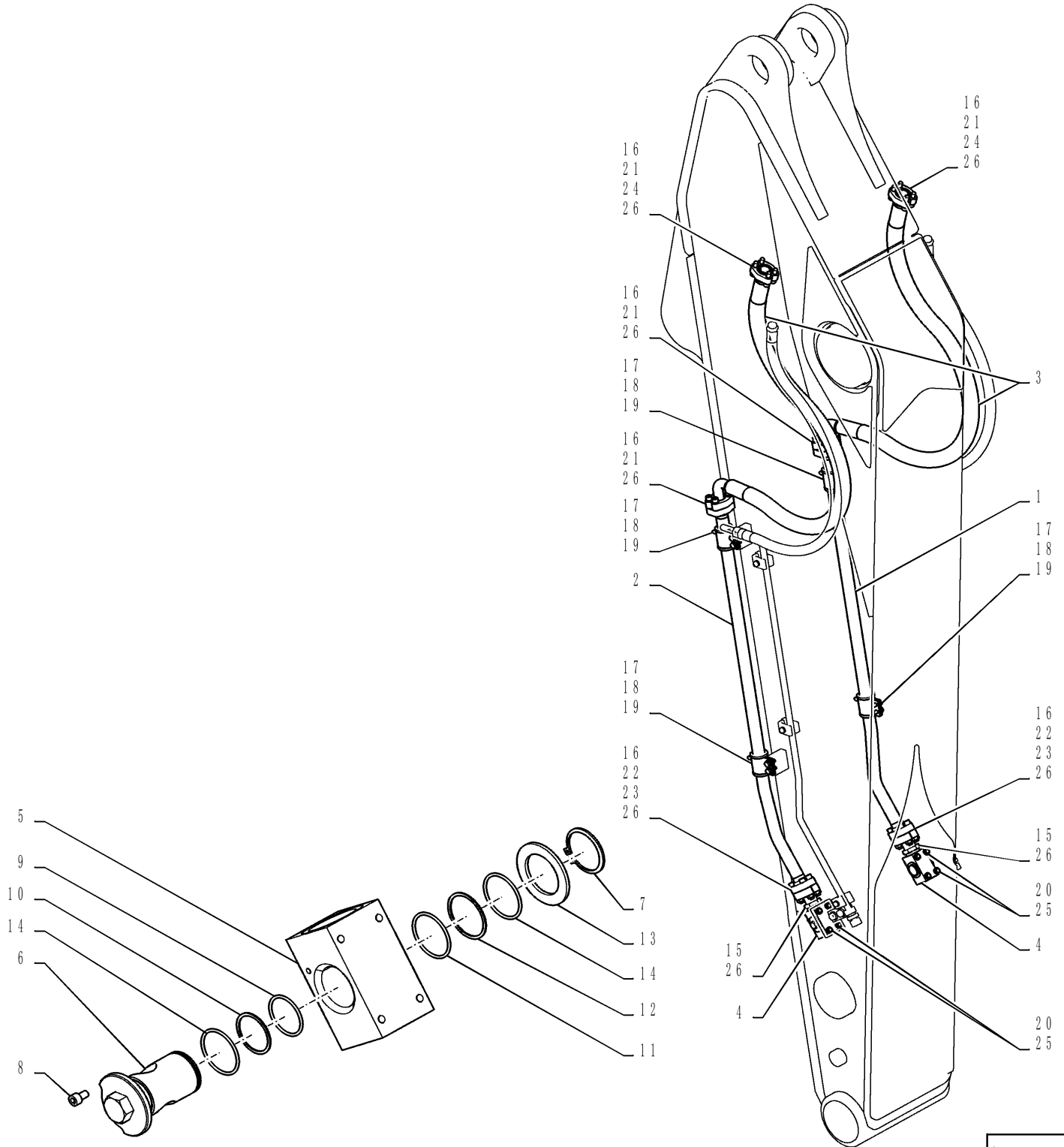
p1

9/2013

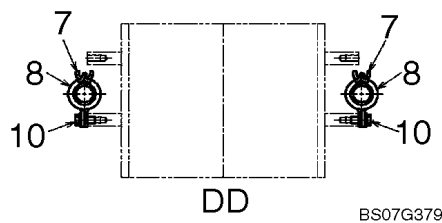
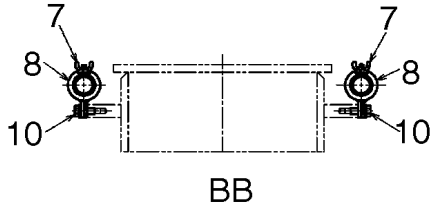
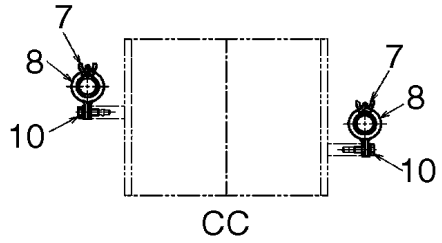
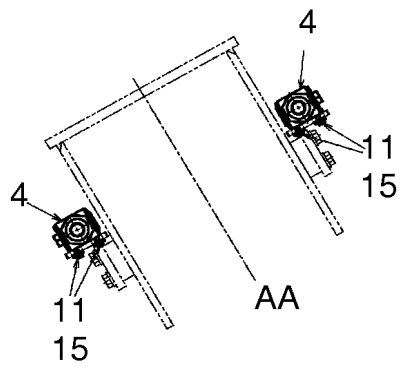
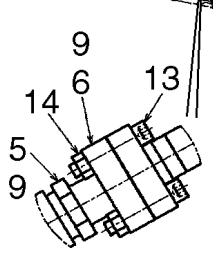
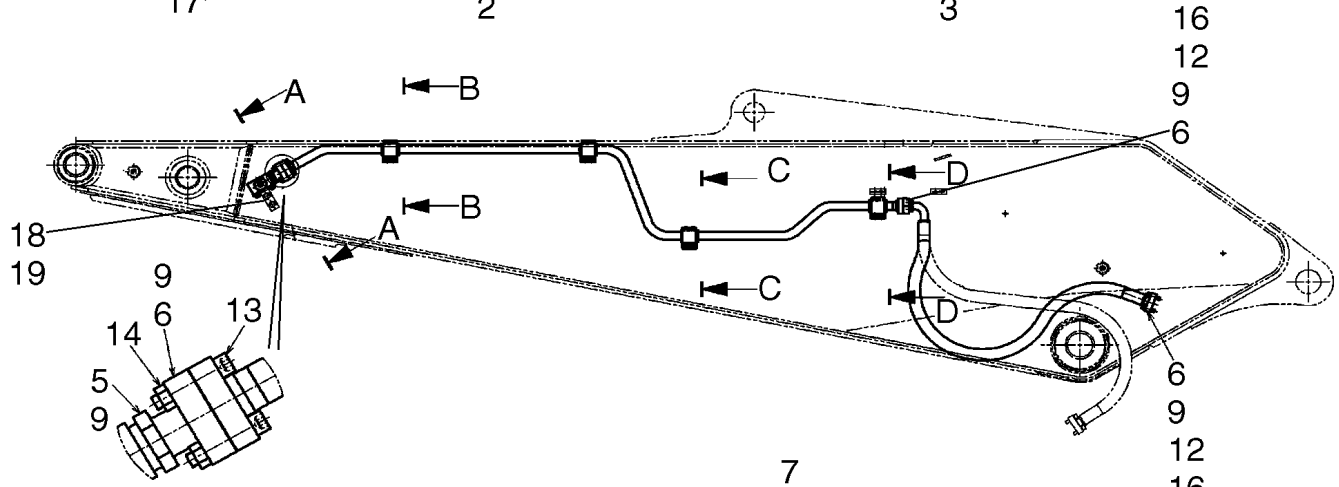
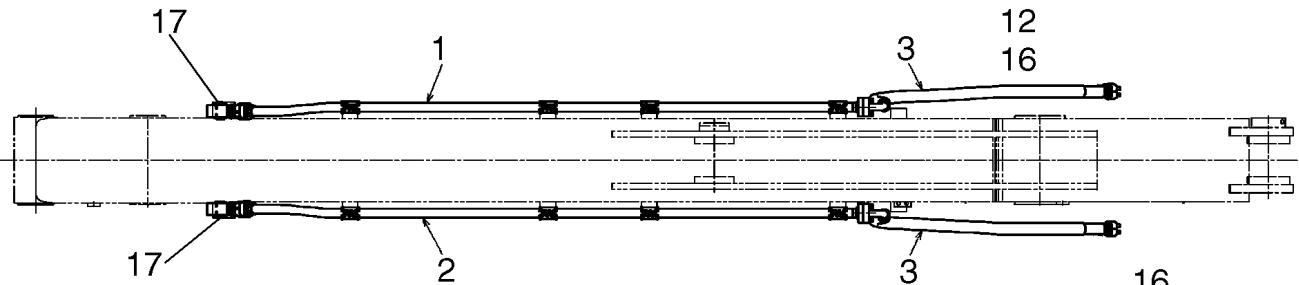
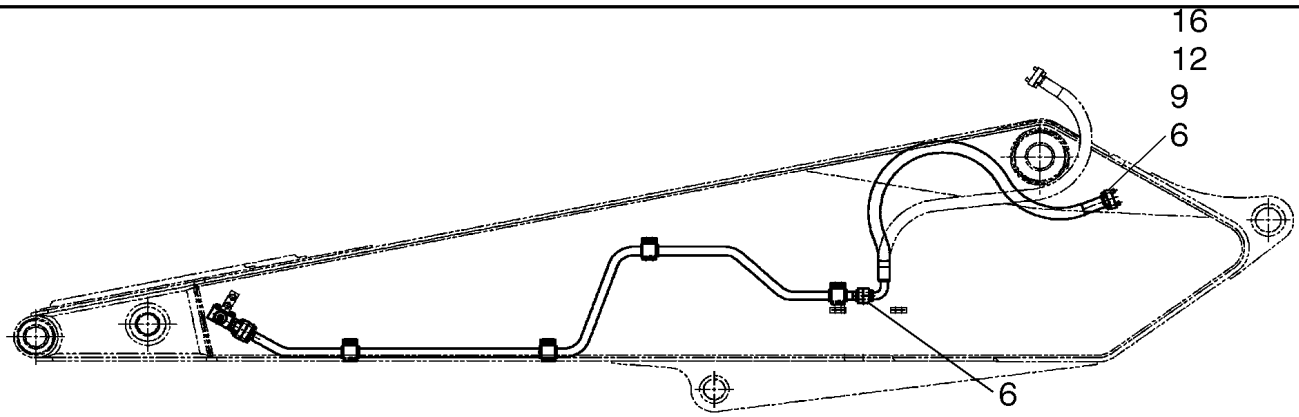
CYLINDER ASSEMBLY (ARM)



HYD. LINE, ARM (BASE, NIBBLER & BREAKER)



HYD. LINE, ARM (4.90M N & B WITH 1 OR 2 WAY)



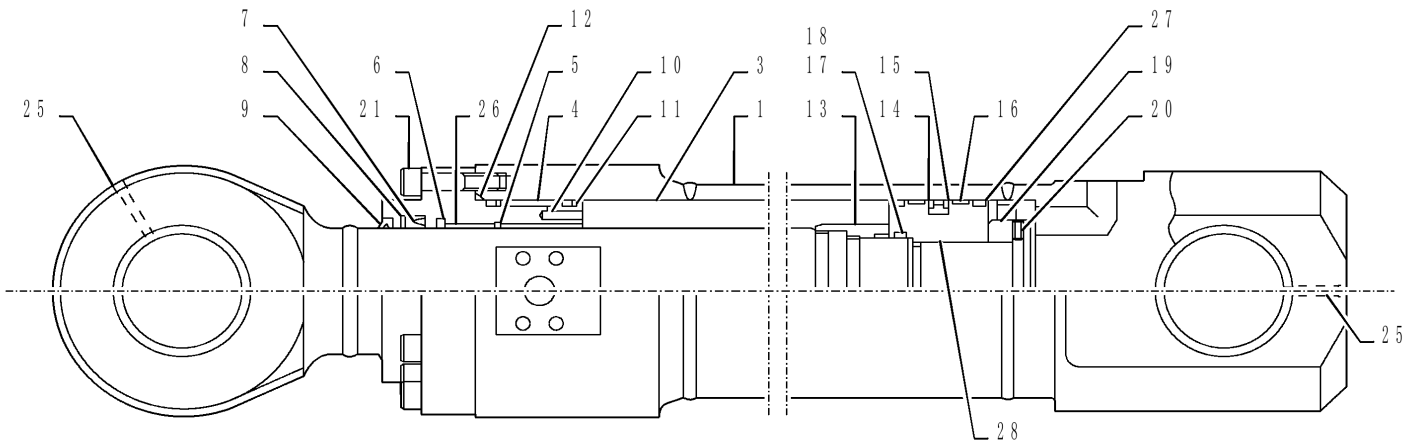
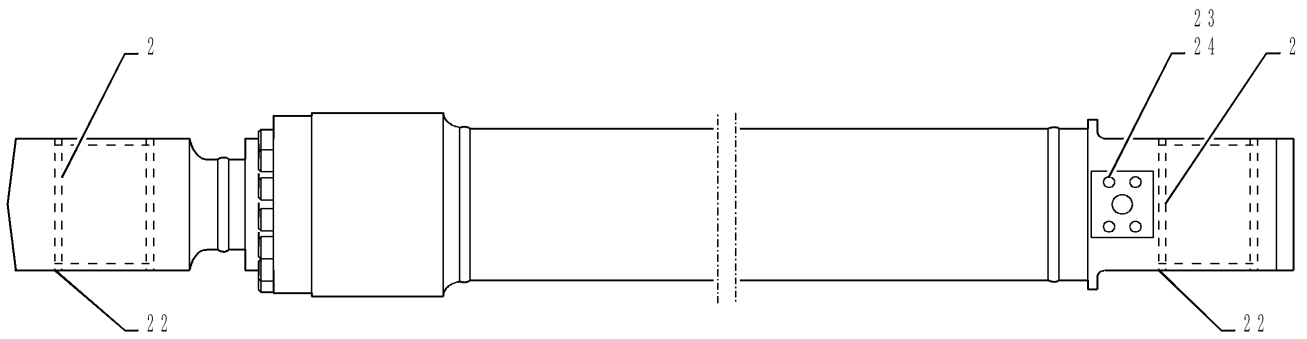
35.738.AA

02

p2

9/2013

CYLINDER ASSEMBLY (BUCKET)

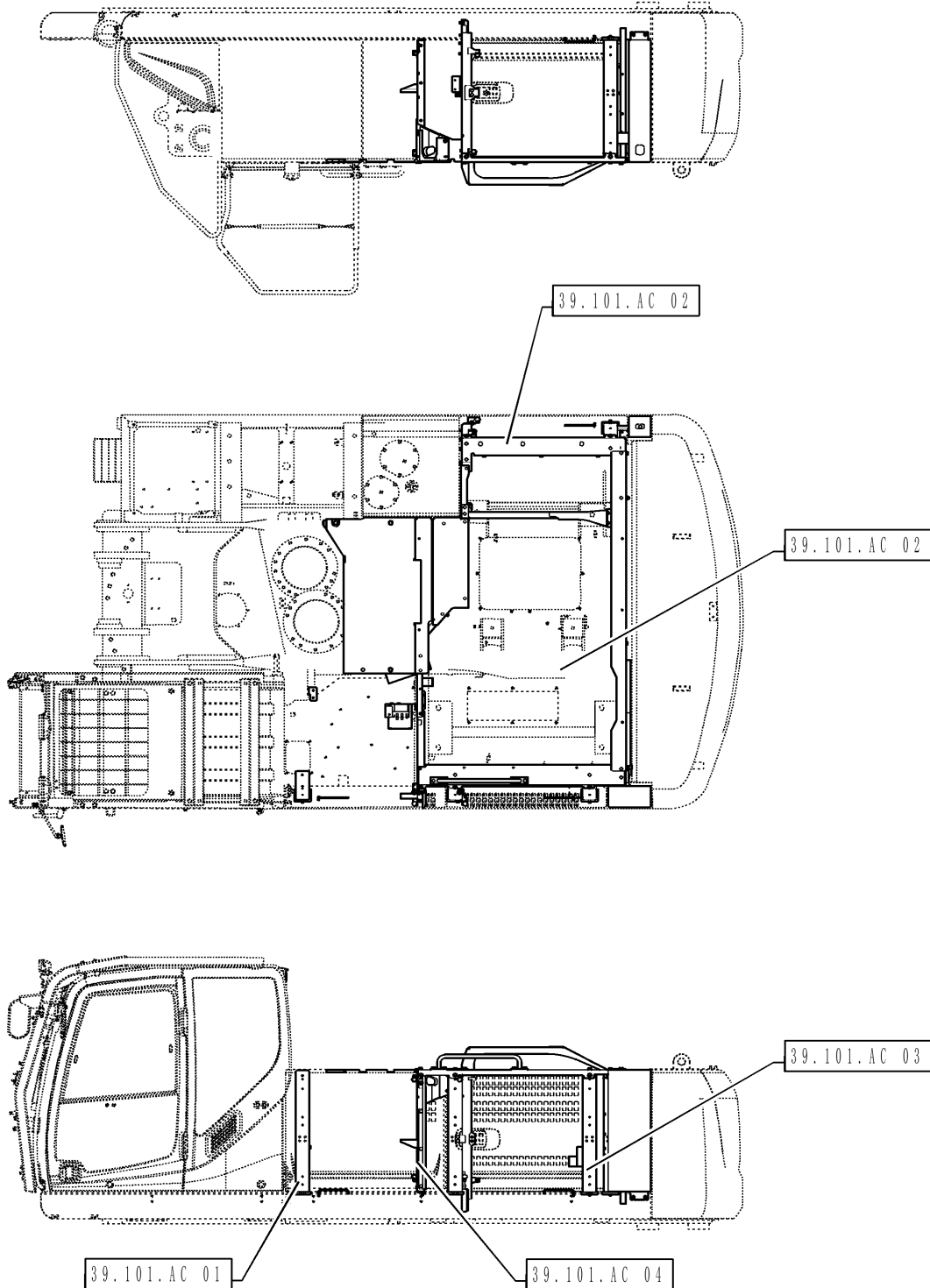


39.000.00

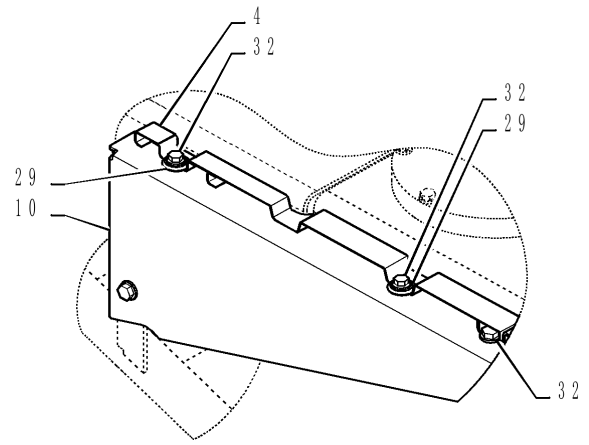
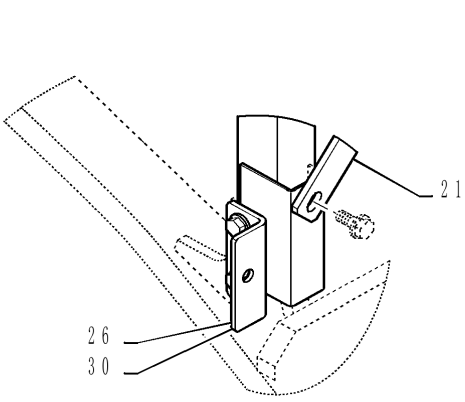
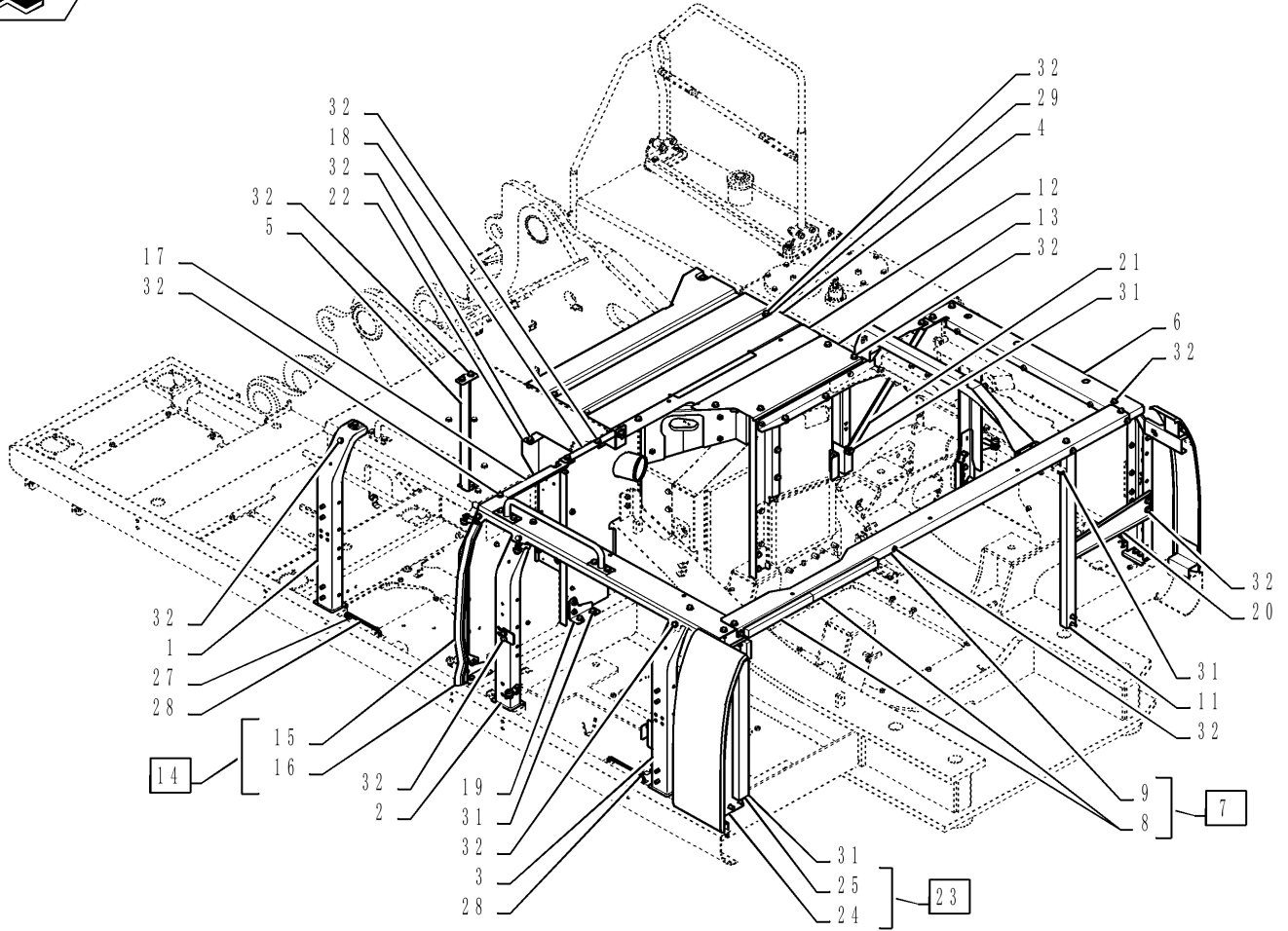
p1

9/2013

SECTIONAL INDEX - FRAMES AND BALLASTING



UPPER FRAME - COMPONENTS



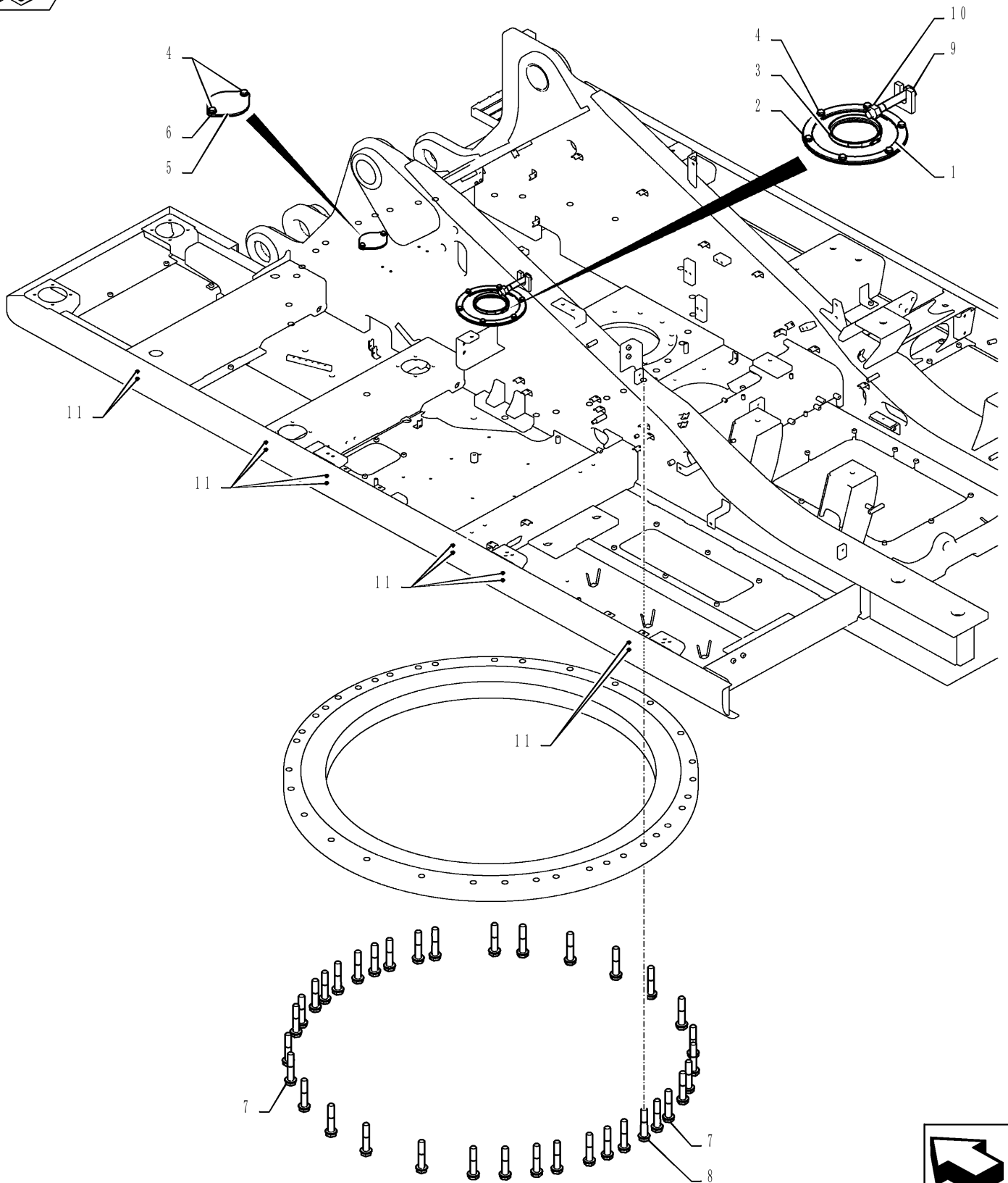
39.101.AC

07

p1

9/2013

FRAME GROUP, UPPER



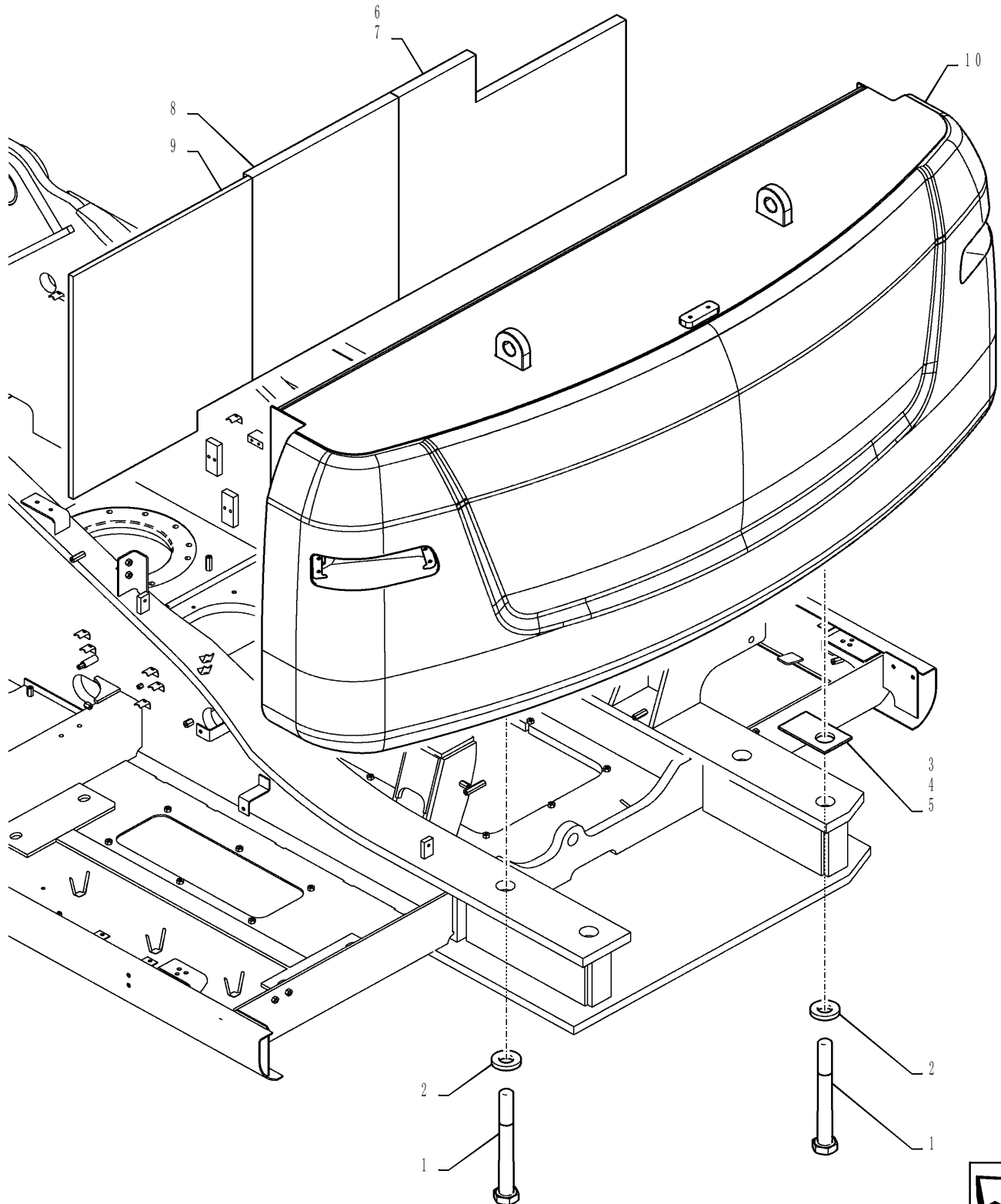
39.140.AM

01

p1

9/2013

COUNTERWEIGHT



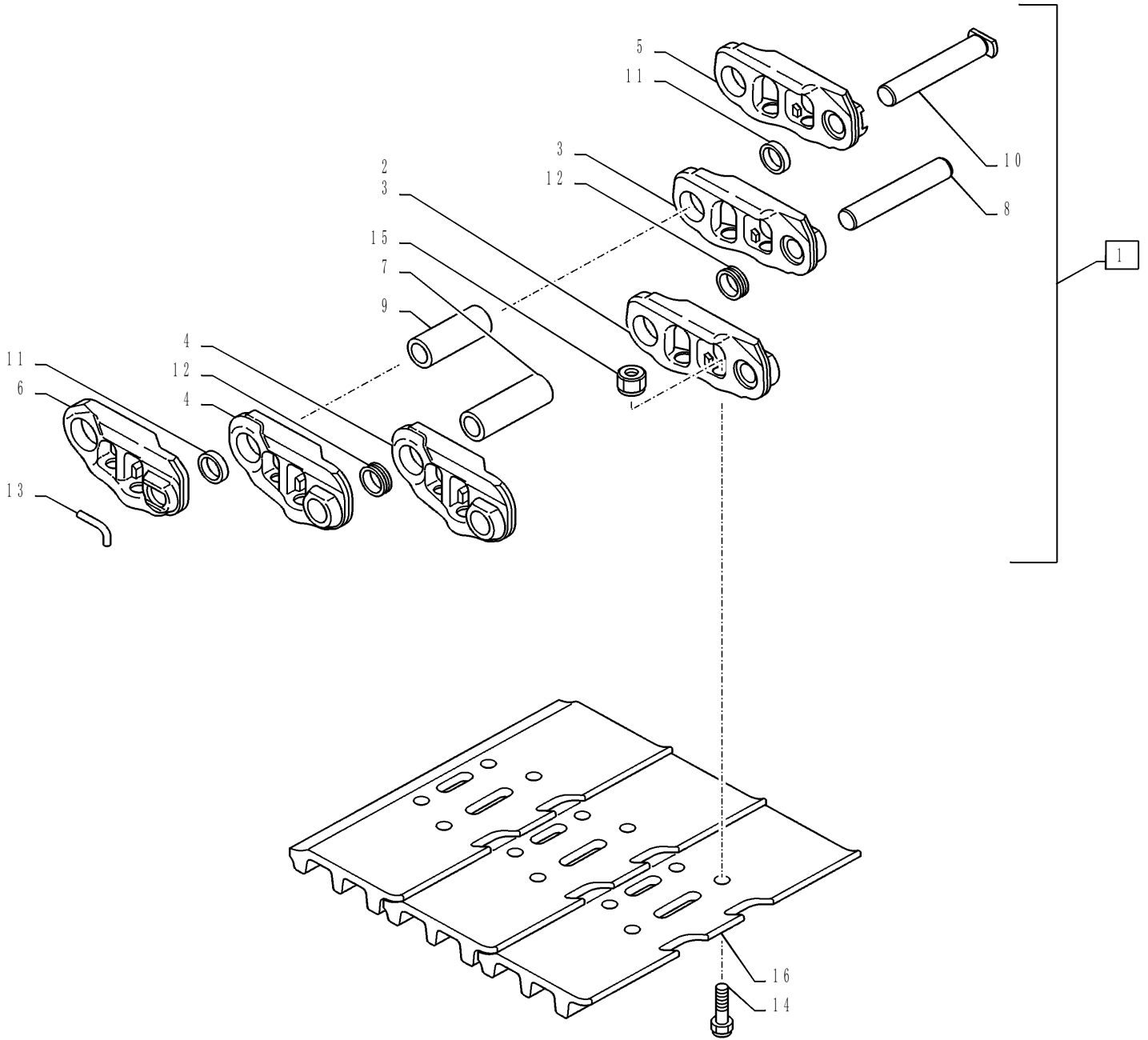
48.100.AD

01

p1

9/2013

SHOE ASSY (LONG CRAWLER)



F1 (600mm)  
(23.6in)



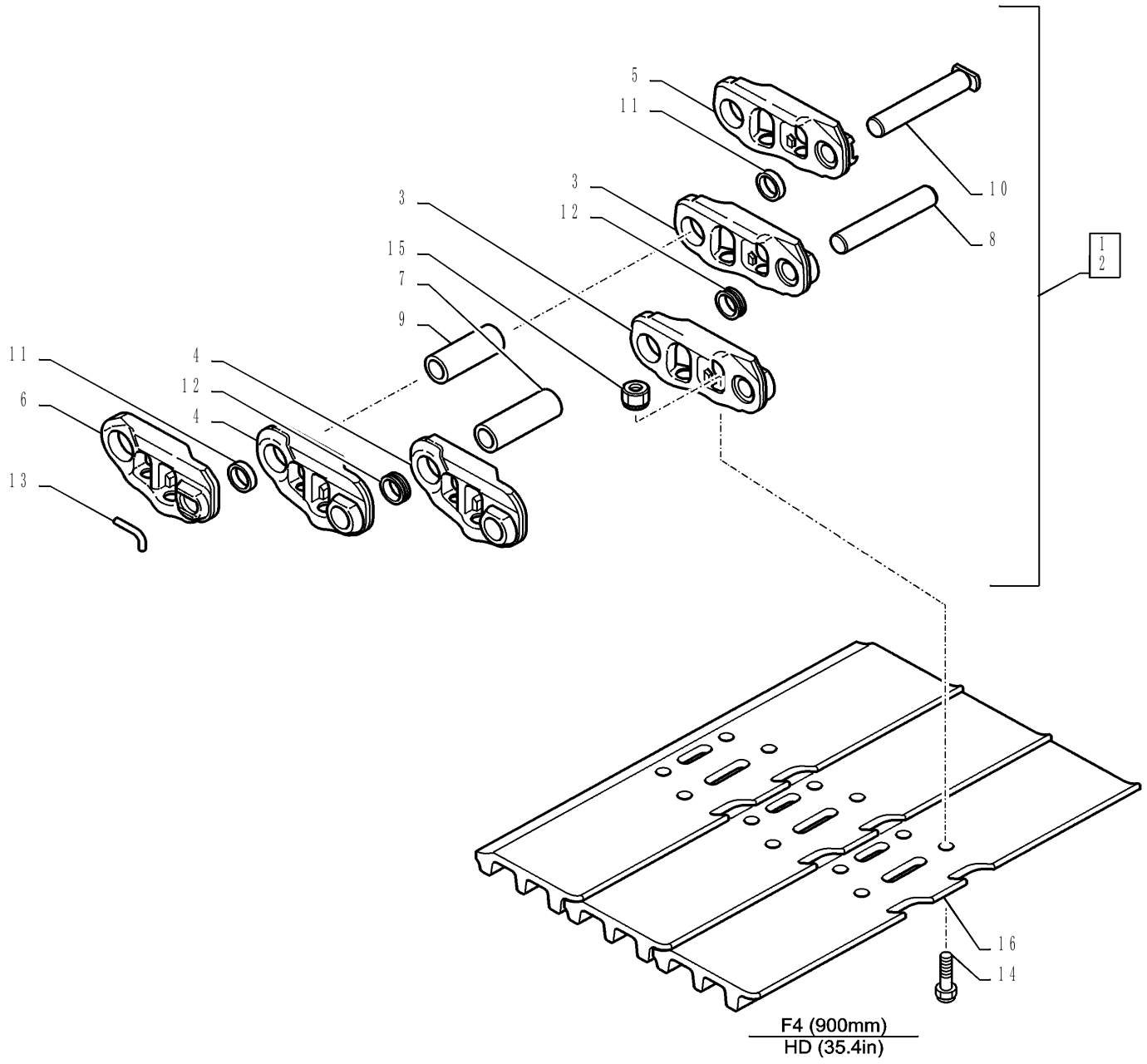
48.100.AD

03

p2

9/2013

SHOE, ASSY (HD)



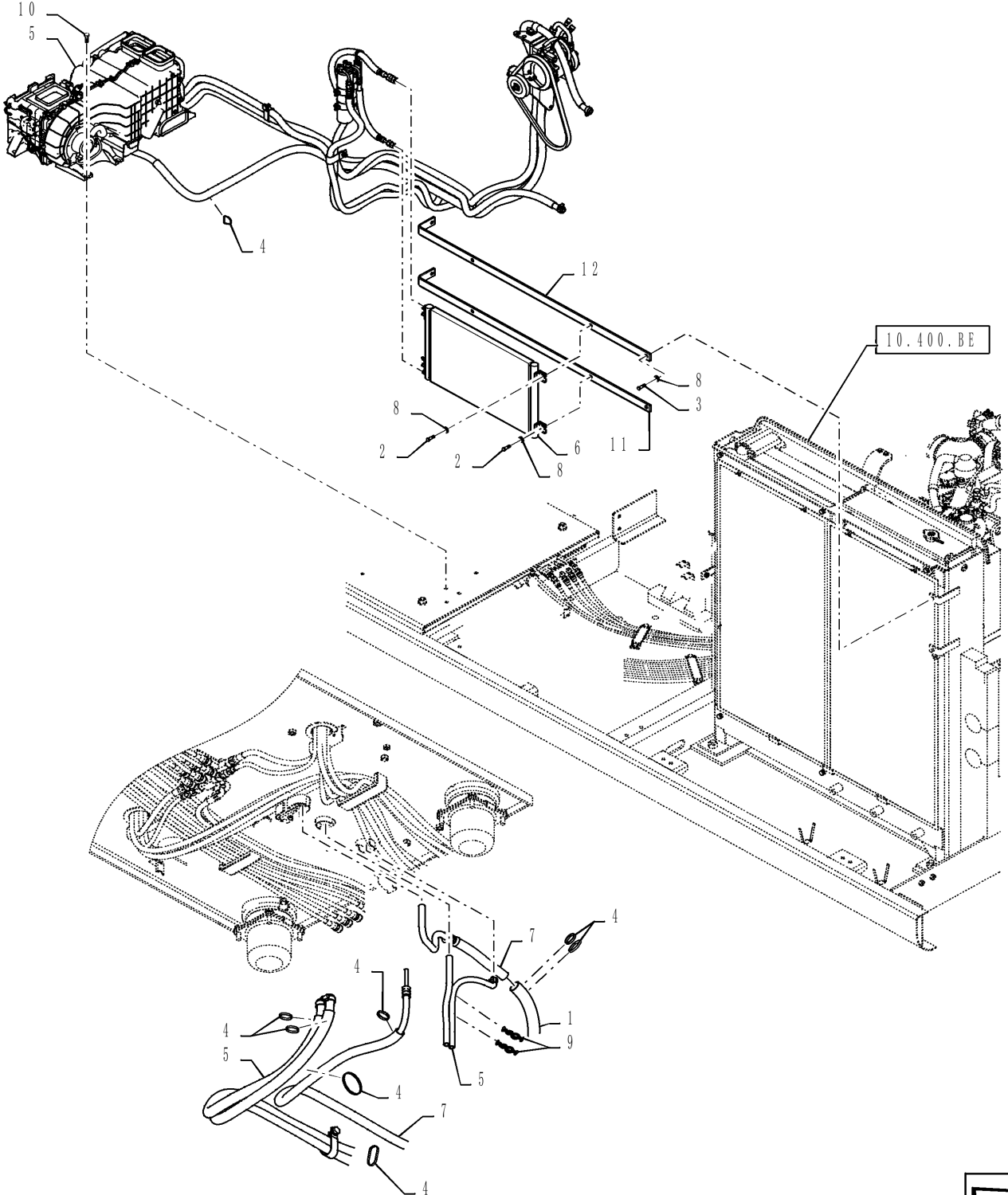
DUCT - REAR

**ART**

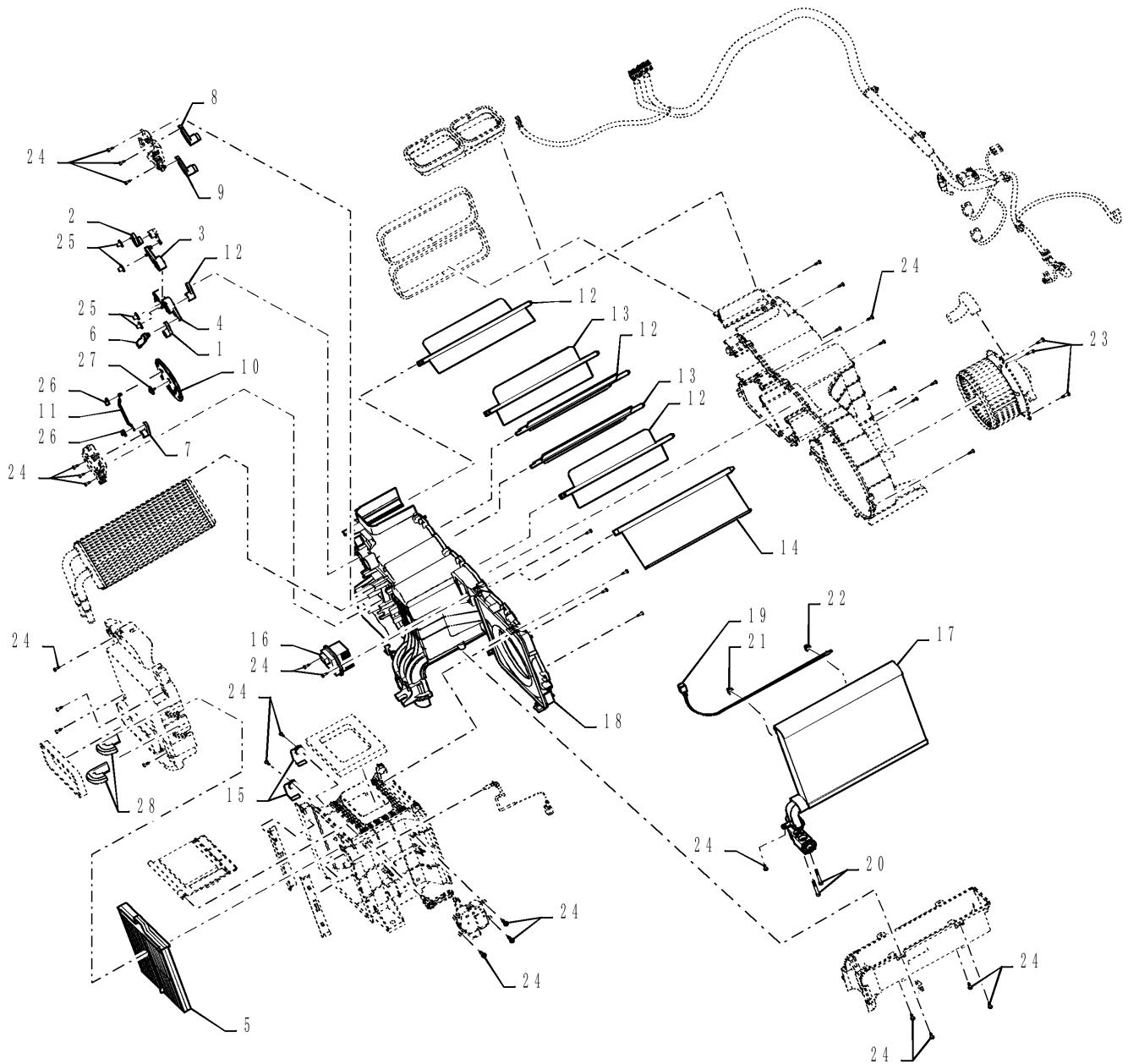
**NOT**

**AVAILABLE**

A/C HOSE - MOUNTING



A/C EVAPORATOR & ELECTRIC FAN



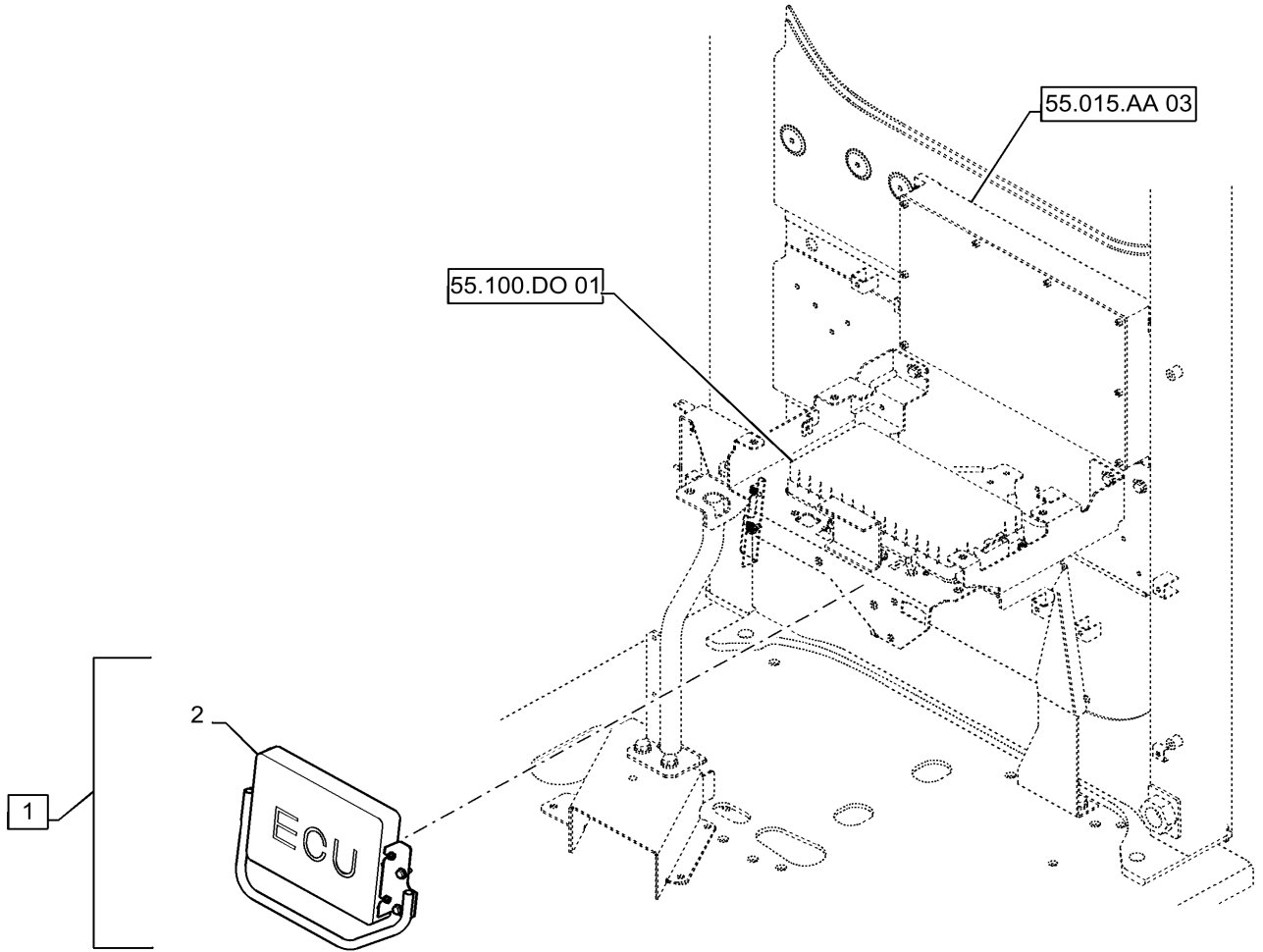
55.015.AA

02

p1

9/2013

CONTROL UNIT - MOUNTING



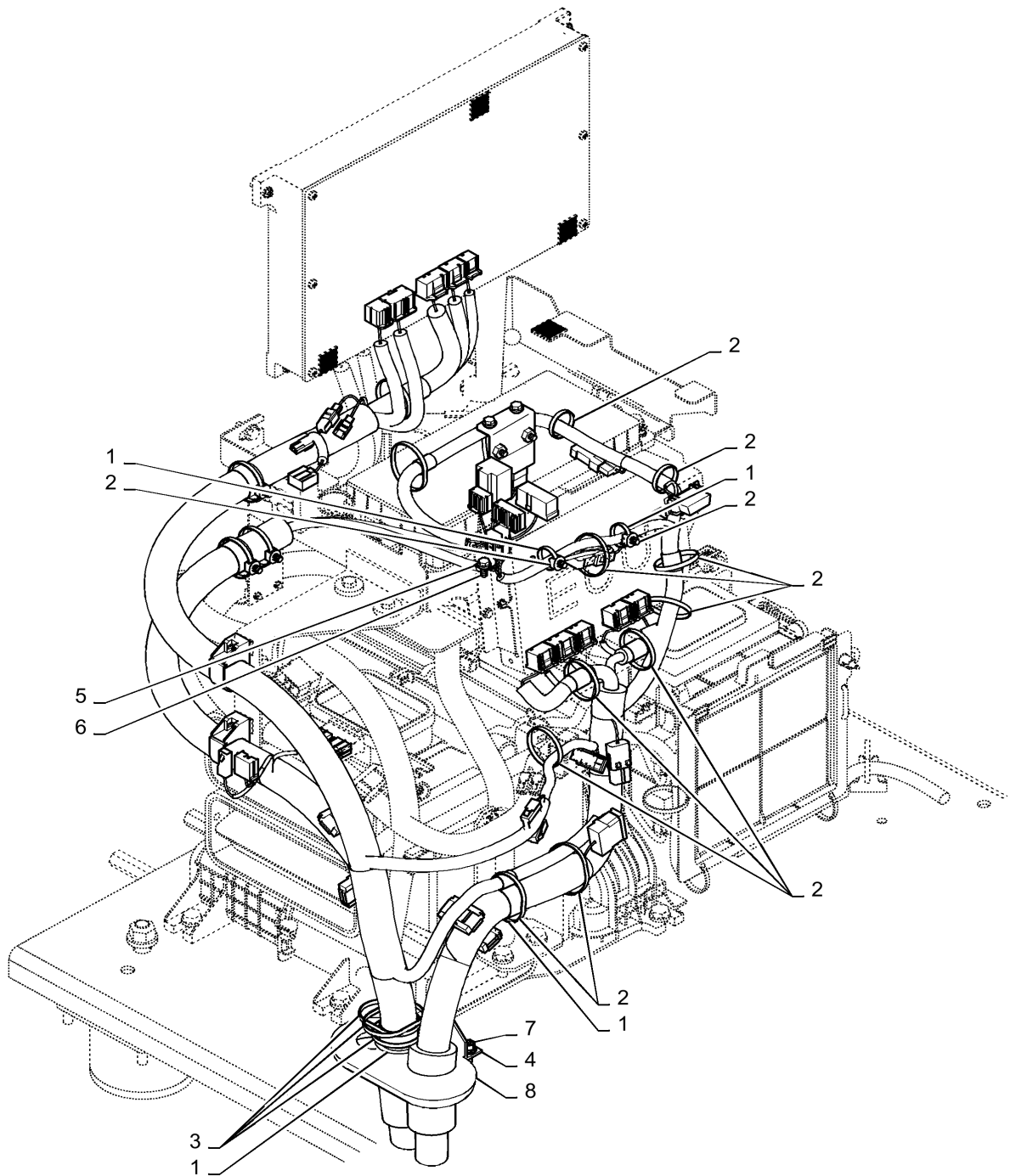
55.015.AB

03

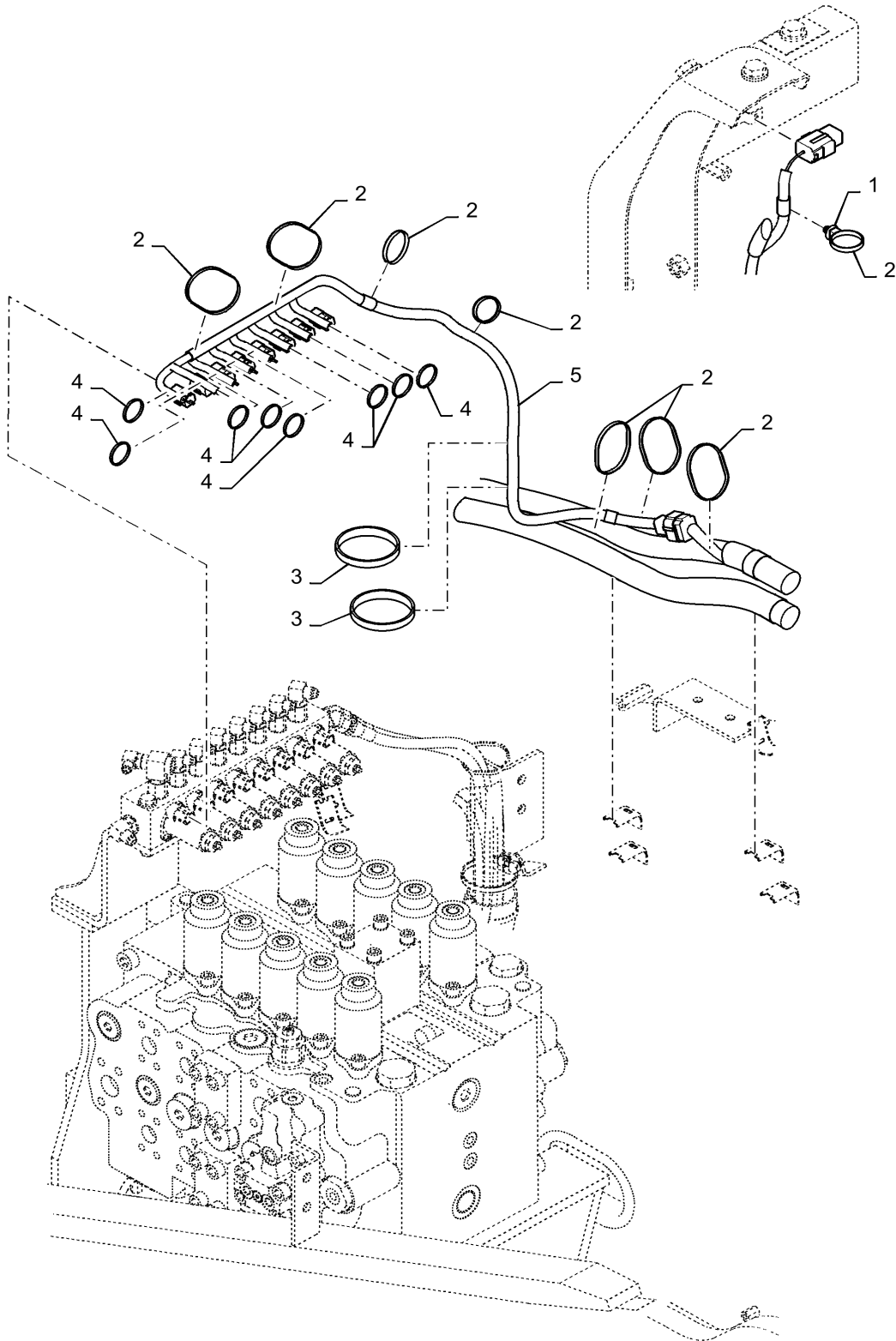
p1

9/2013

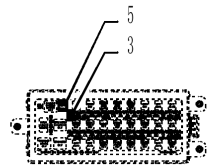
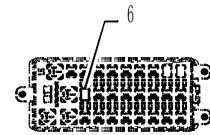
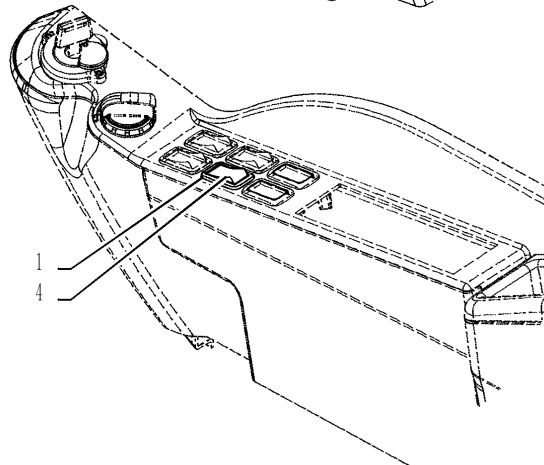
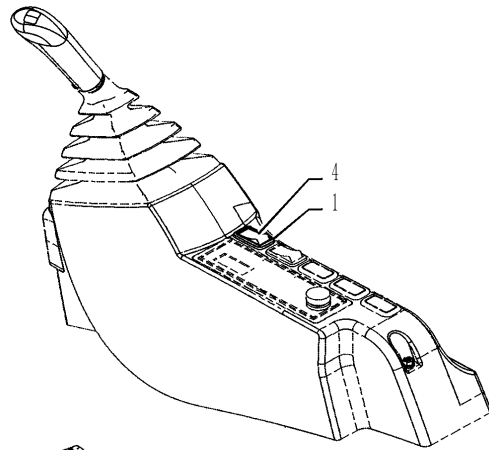
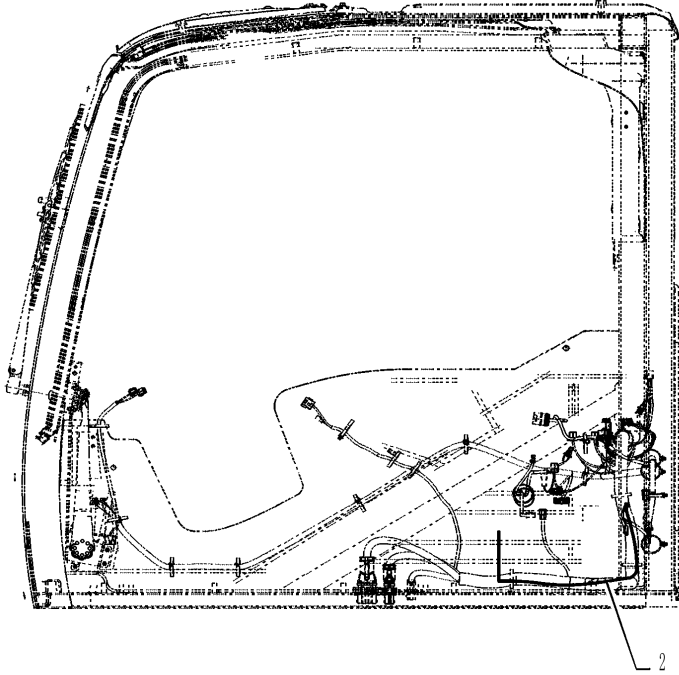
ENGINE HARNESS - STRAPS



CONTROL VALVE SOLENOIDS - HARNESS STRAPS

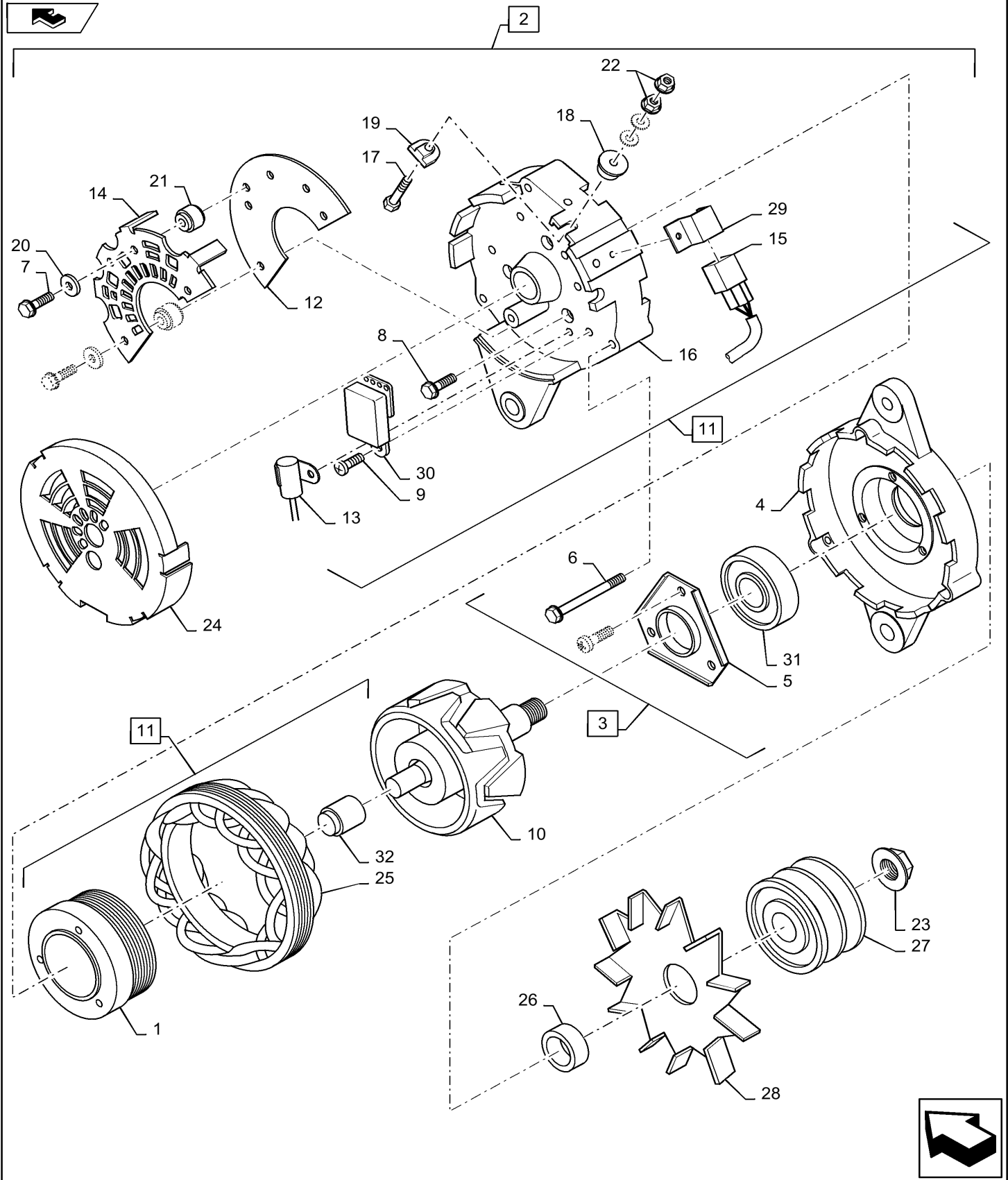


HARNESS ASSY, HEATED SEAT

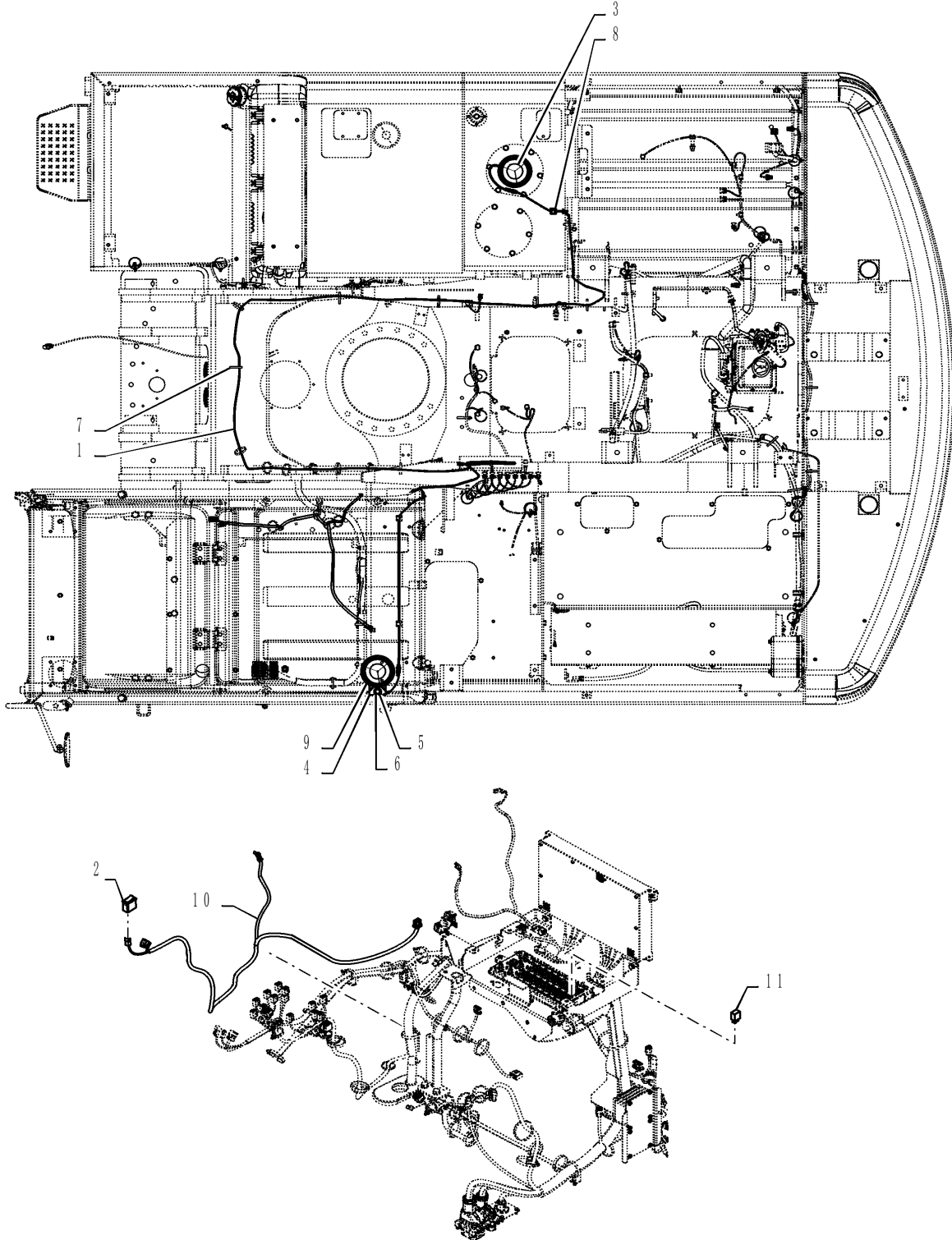




ALTERNATOR



BEACON



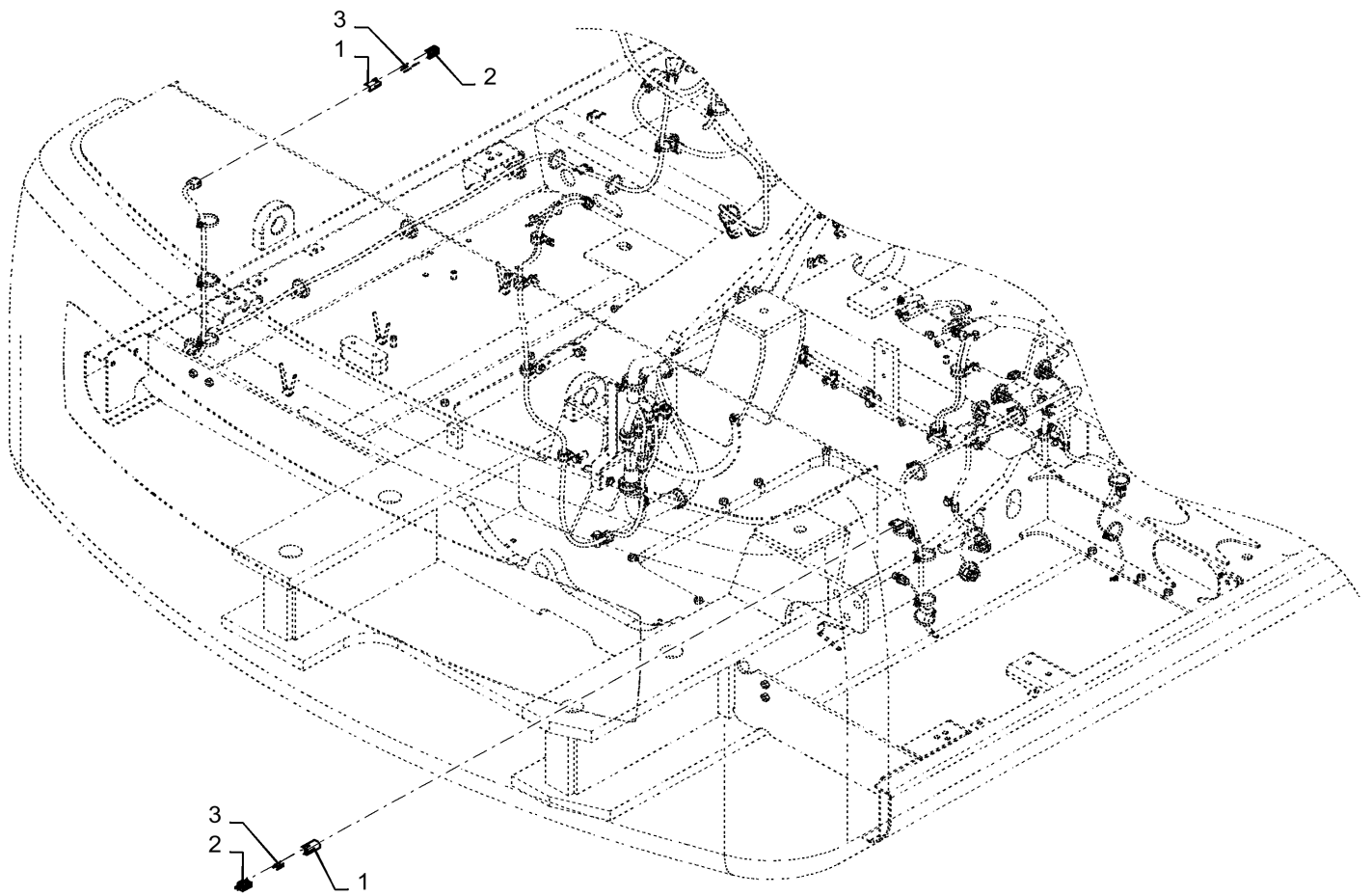
55.404.DB

04

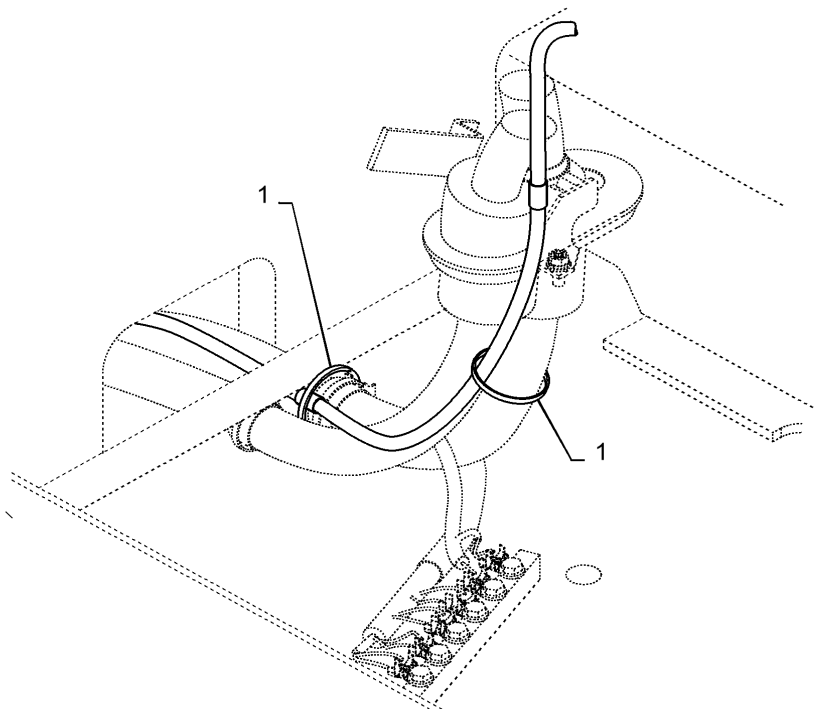
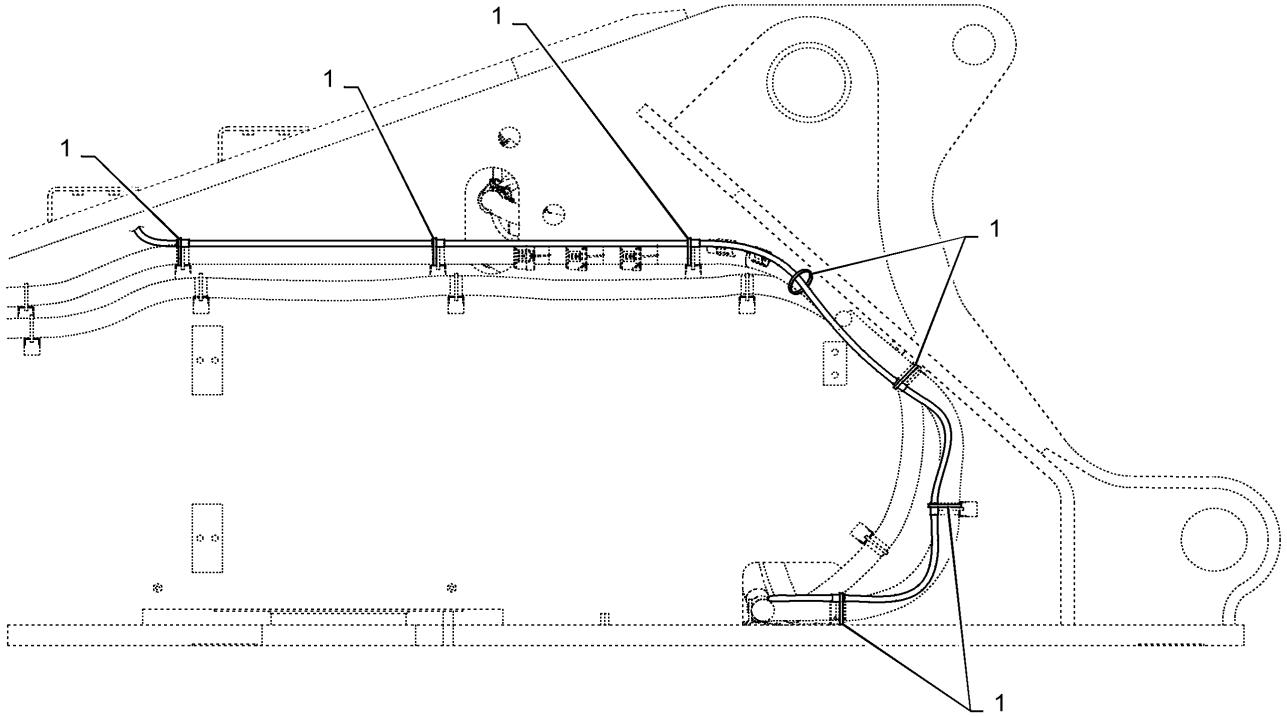
p1

9/2013

FLASHER LAMP



BOOM HARNESS - HARNESS STRAPS

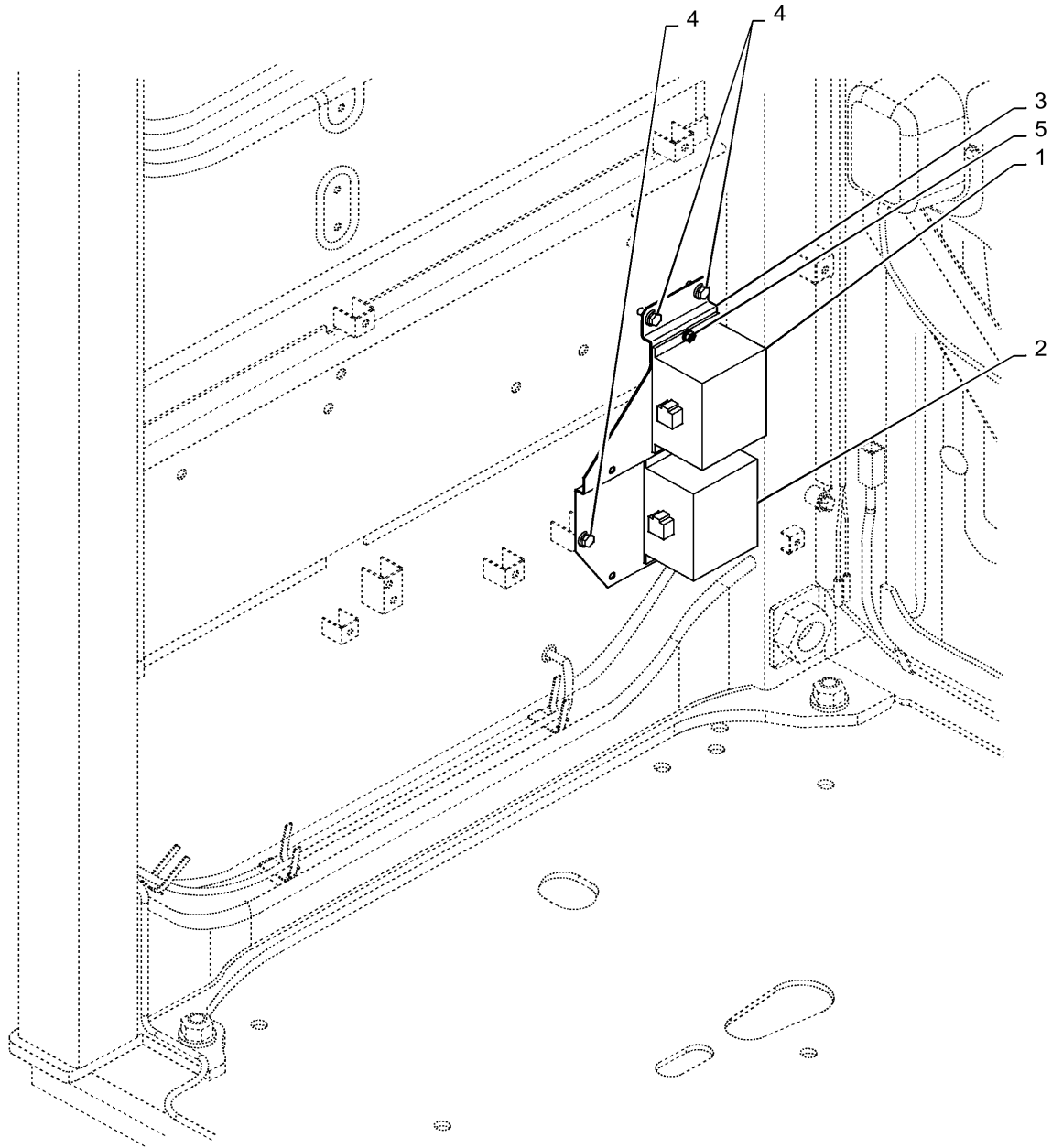


55.510.BL

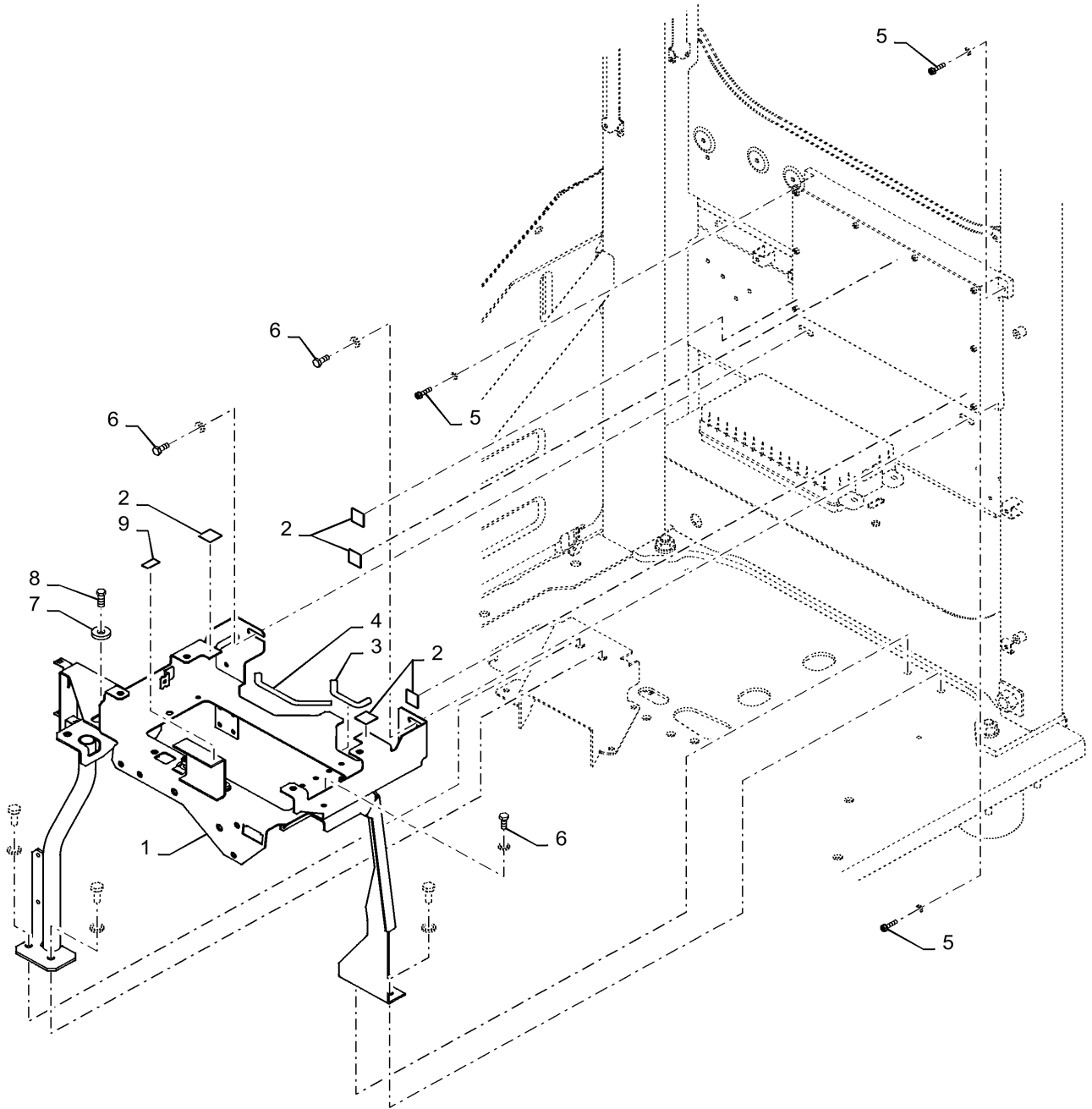
p1

9/2013

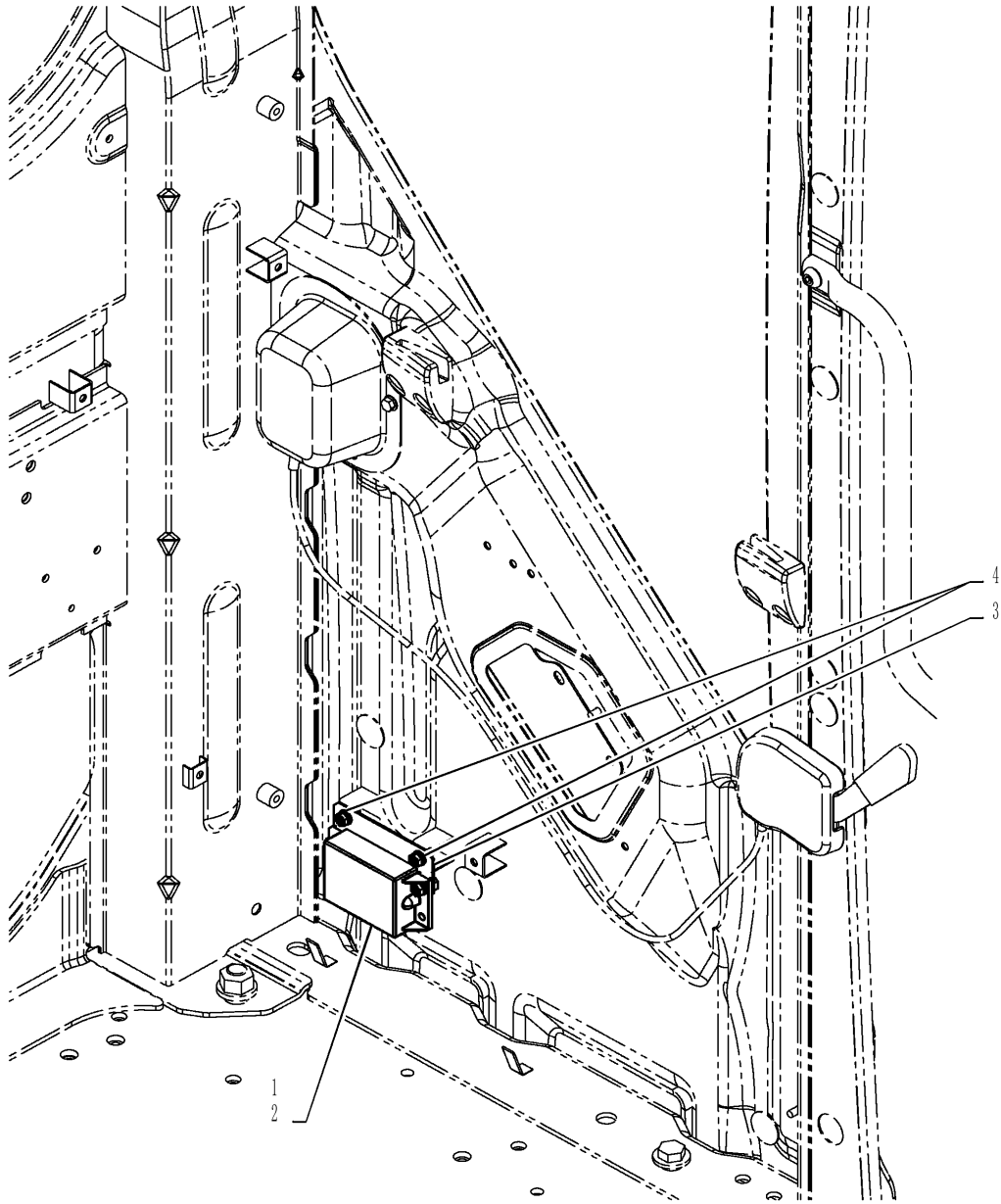
CONVERTER - VOLTAGE



CONTROLLER - SUPPORT



MONITER INSTALL



INDICATES LEFT-REAR SIDE VIEW OF CAAB INTERIOR



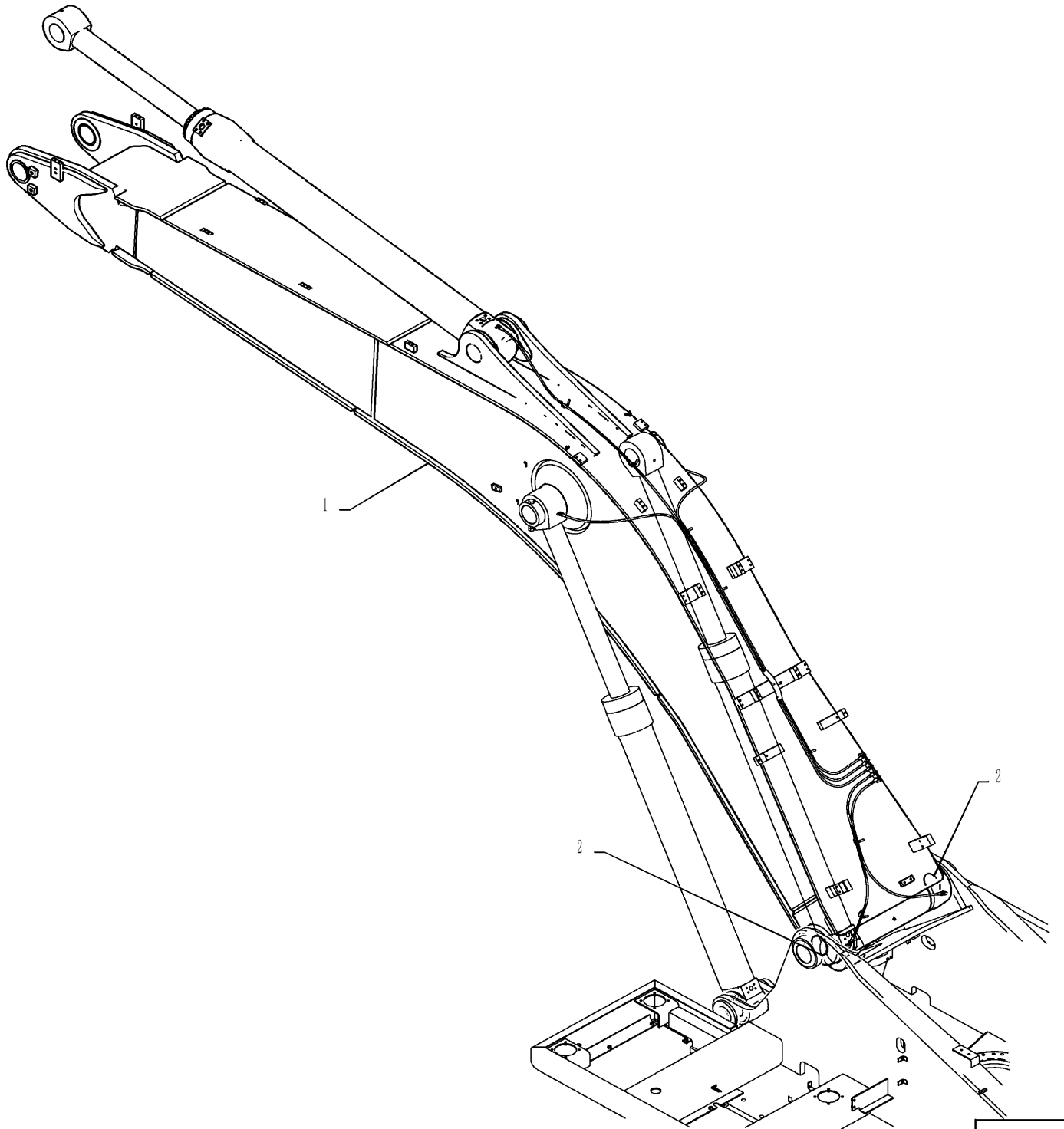
84.910.AA

01

p1

9/2013

BOOM, HOE 7.0M



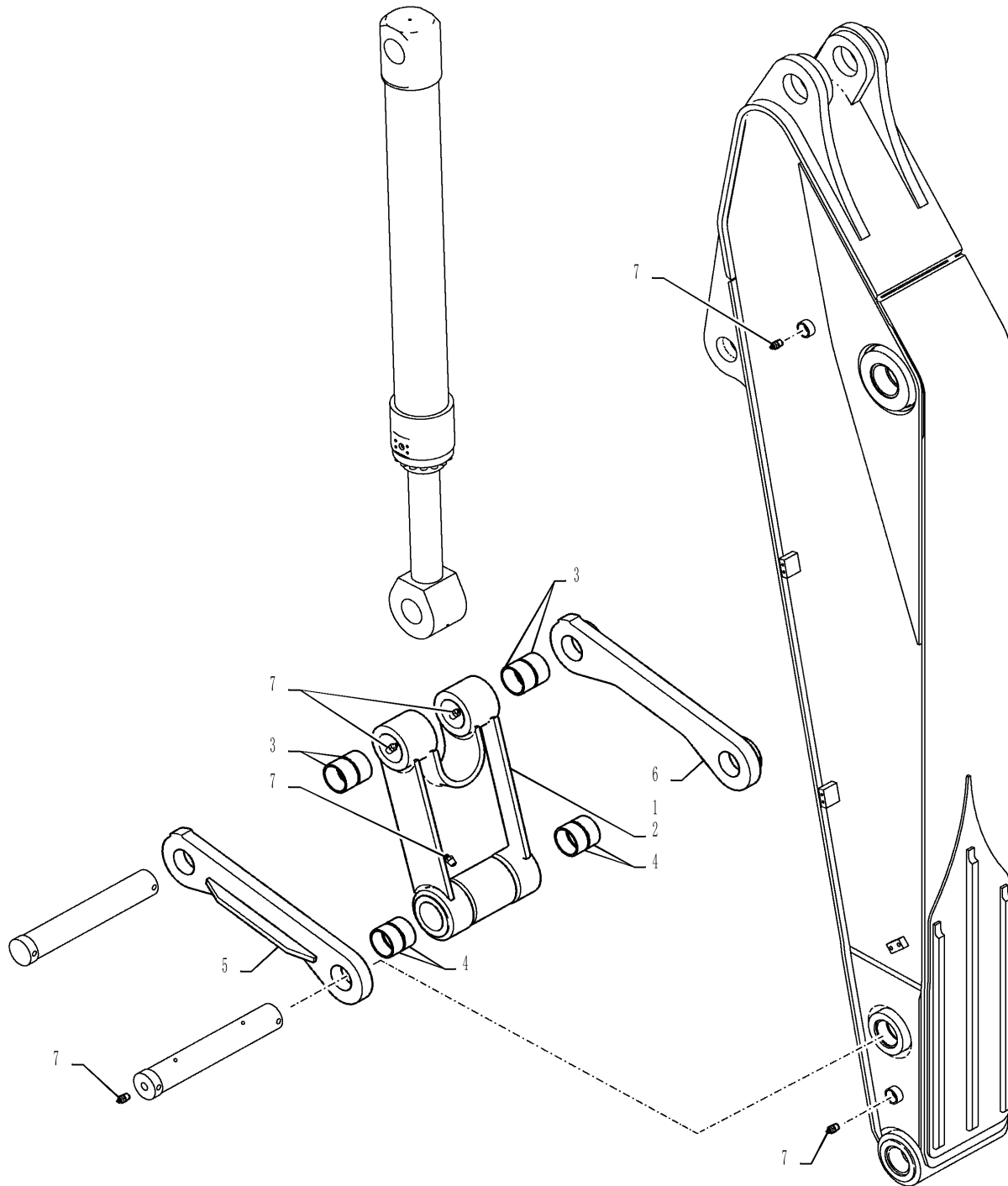
84.912.AA

03

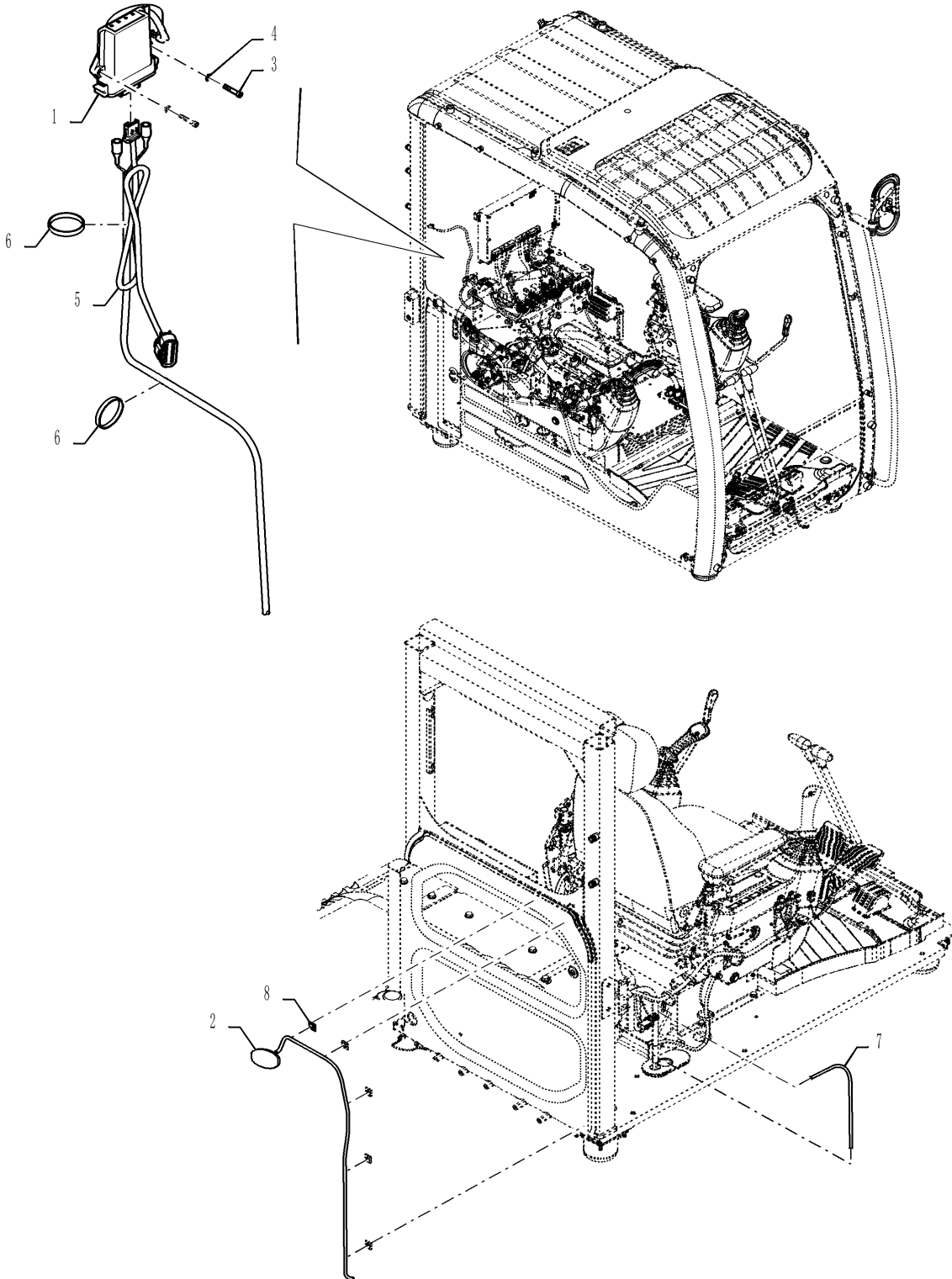
p1

9/2013

ARM GROUP



EXCAVATOR TELEMATICS STD FACTORY INSTALL



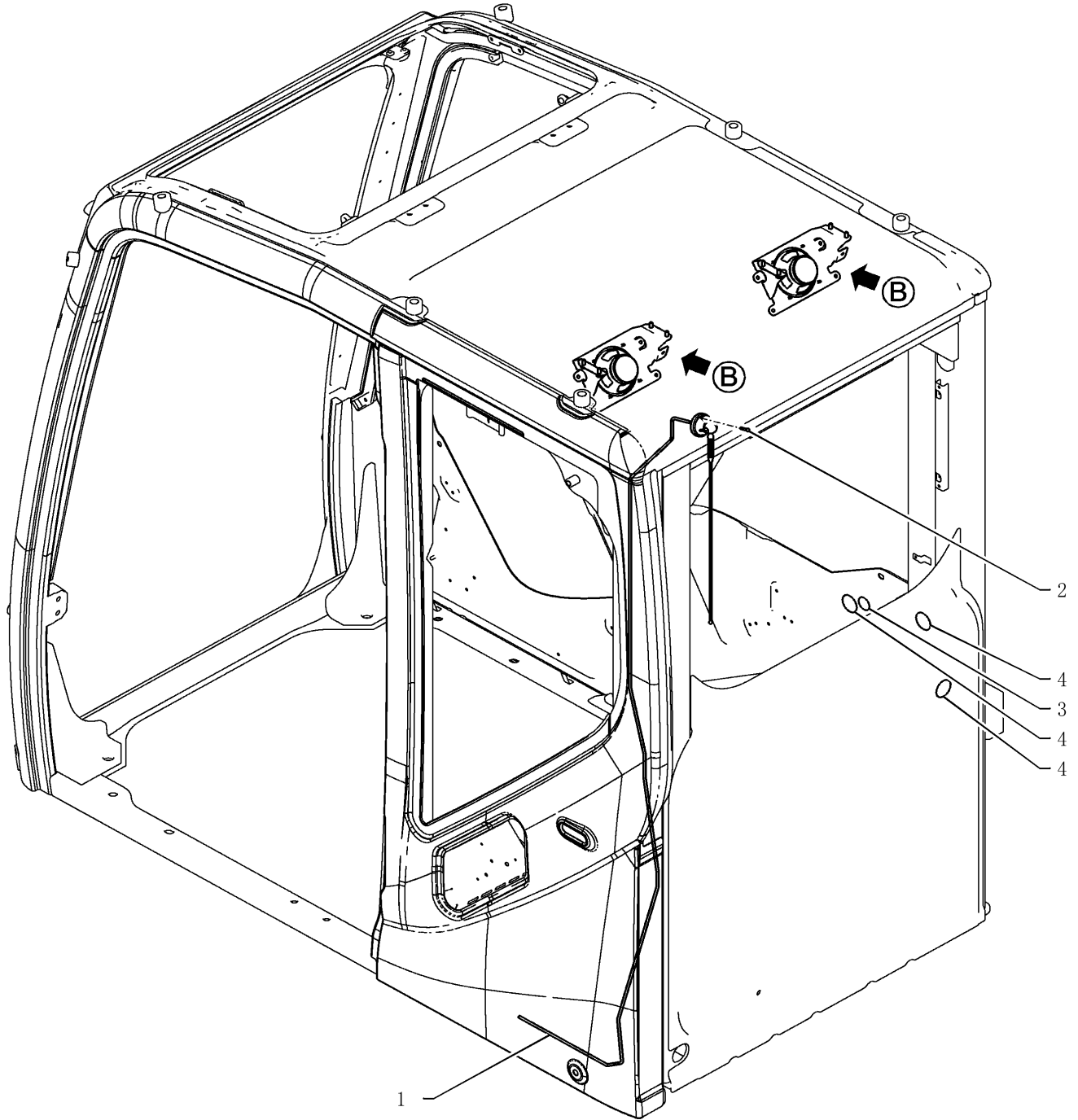
55.512.AA

01

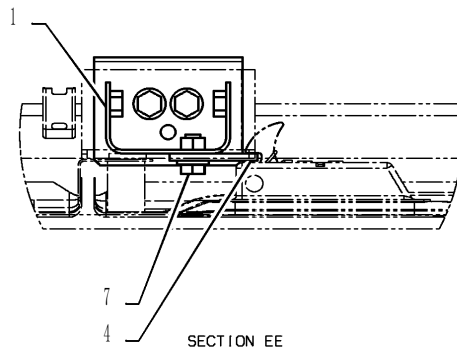
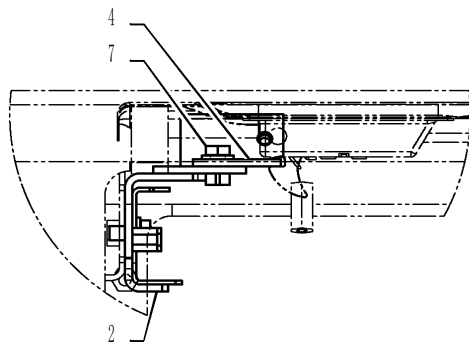
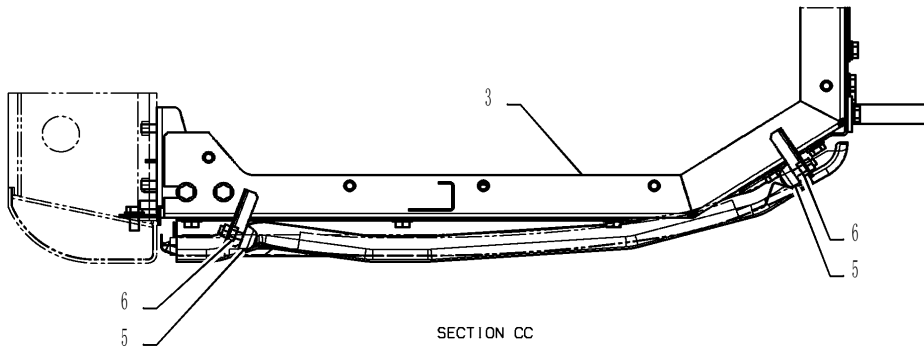
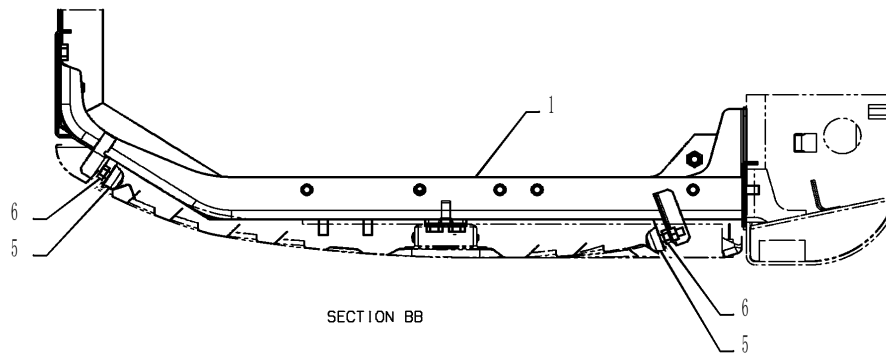
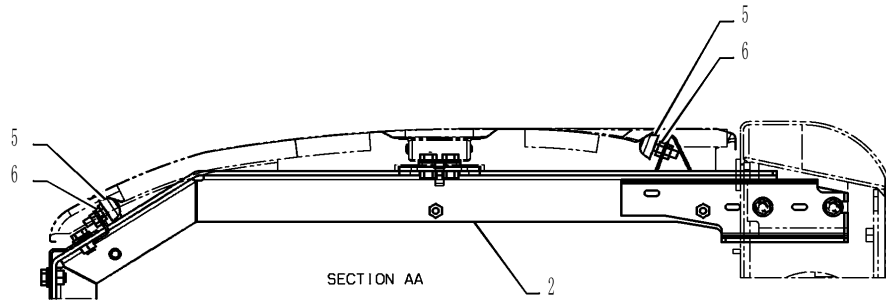
p1

9/2013

CAB, RADIO



GUARD INSTALL



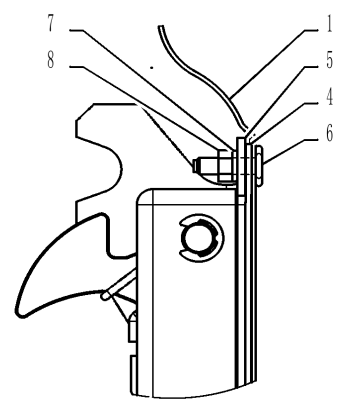
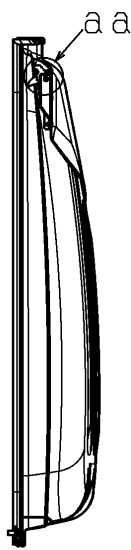
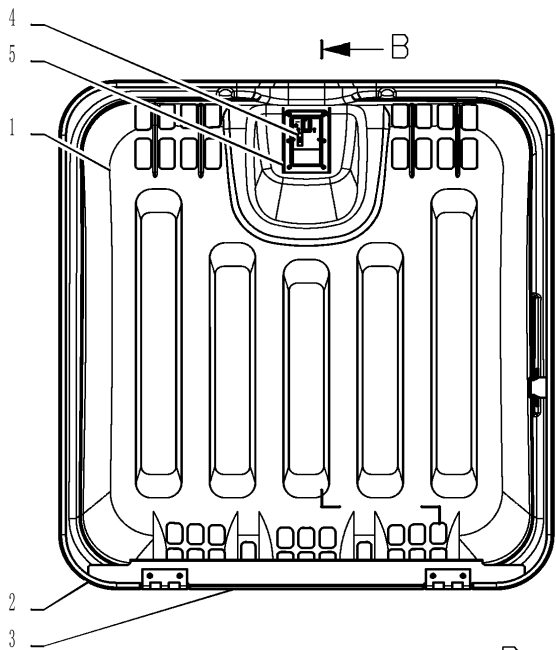
90.105.99

05

p1

9/2013

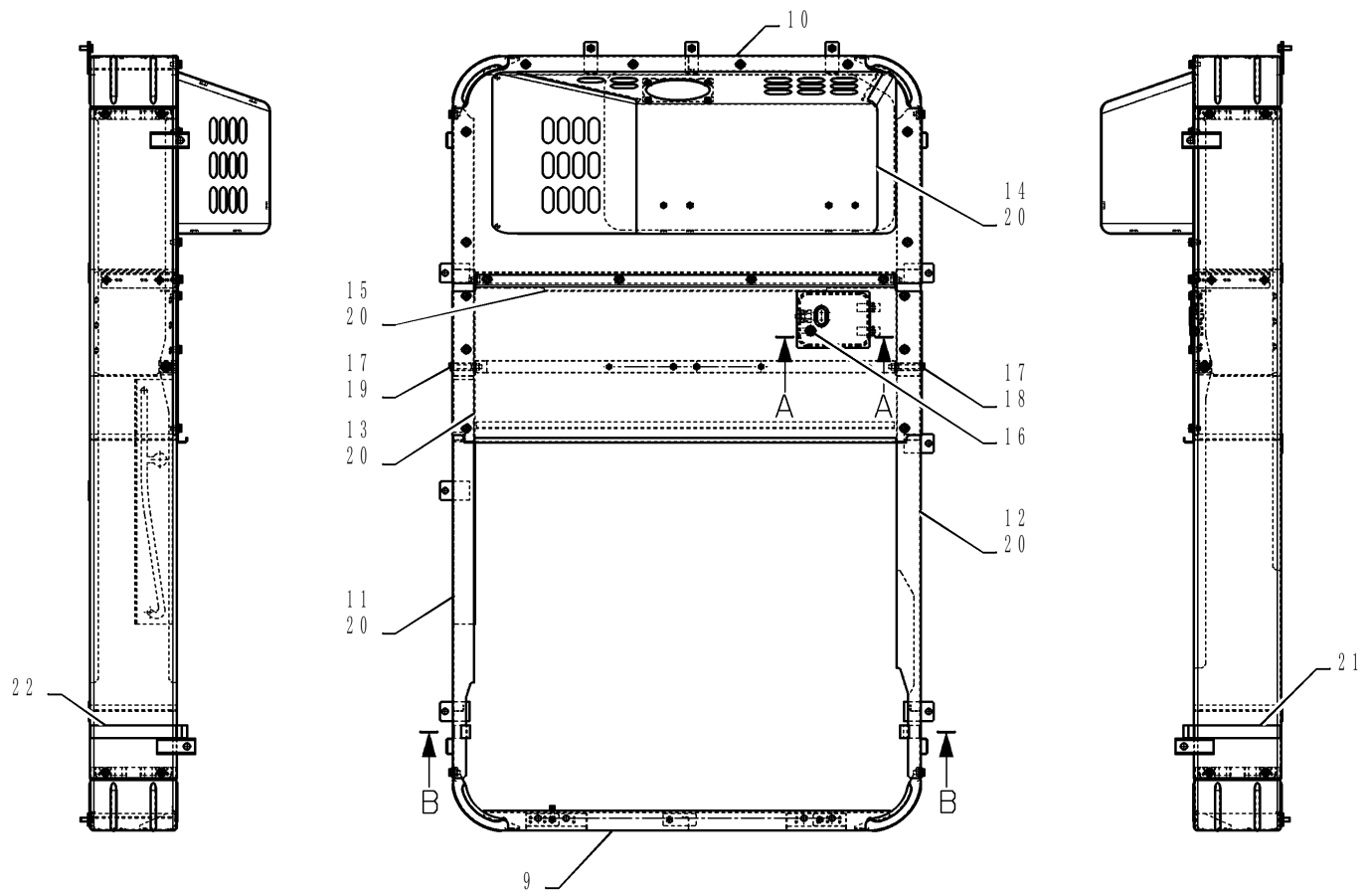
GUARD INSTALL (BONNET)



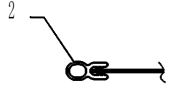
DETAIL aa

← B

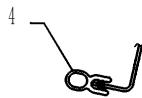
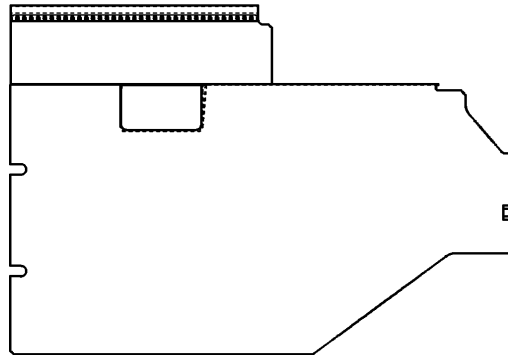
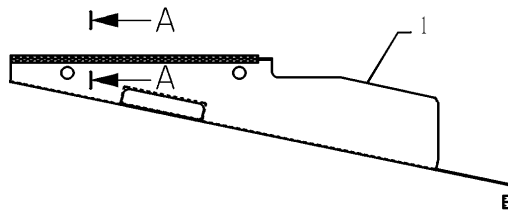
SECTION BB



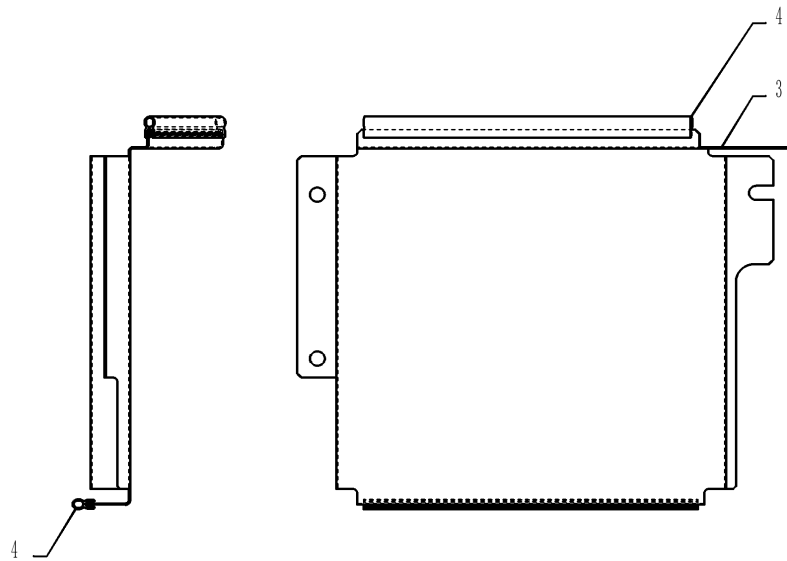
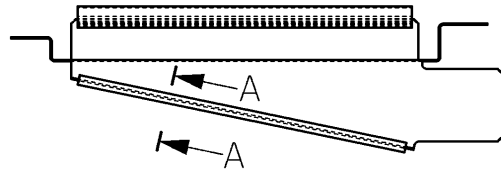
GUARD INSTALL (PARTITION)



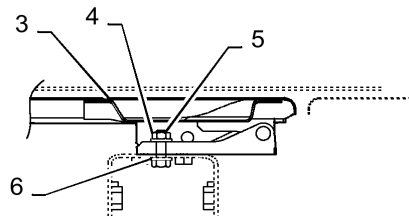
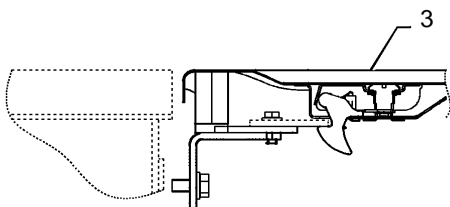
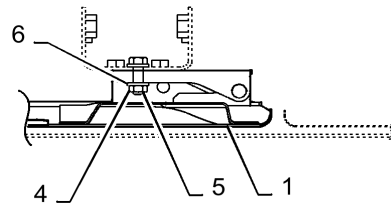
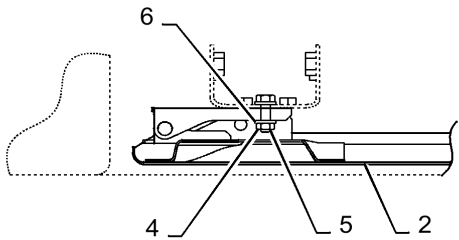
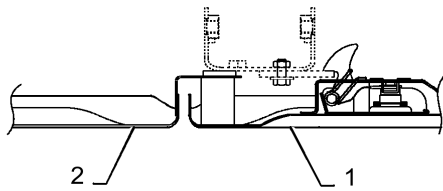
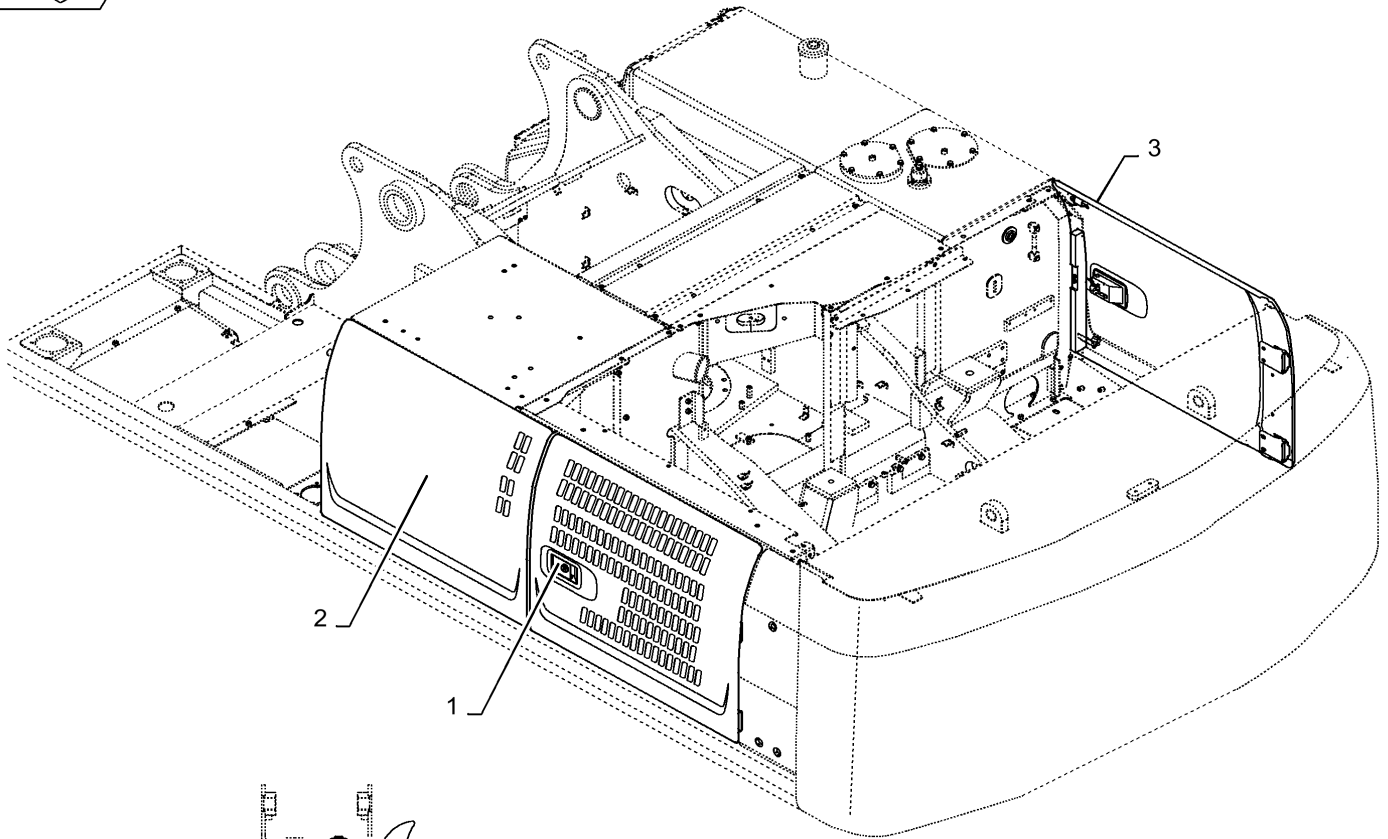
SECTION AA



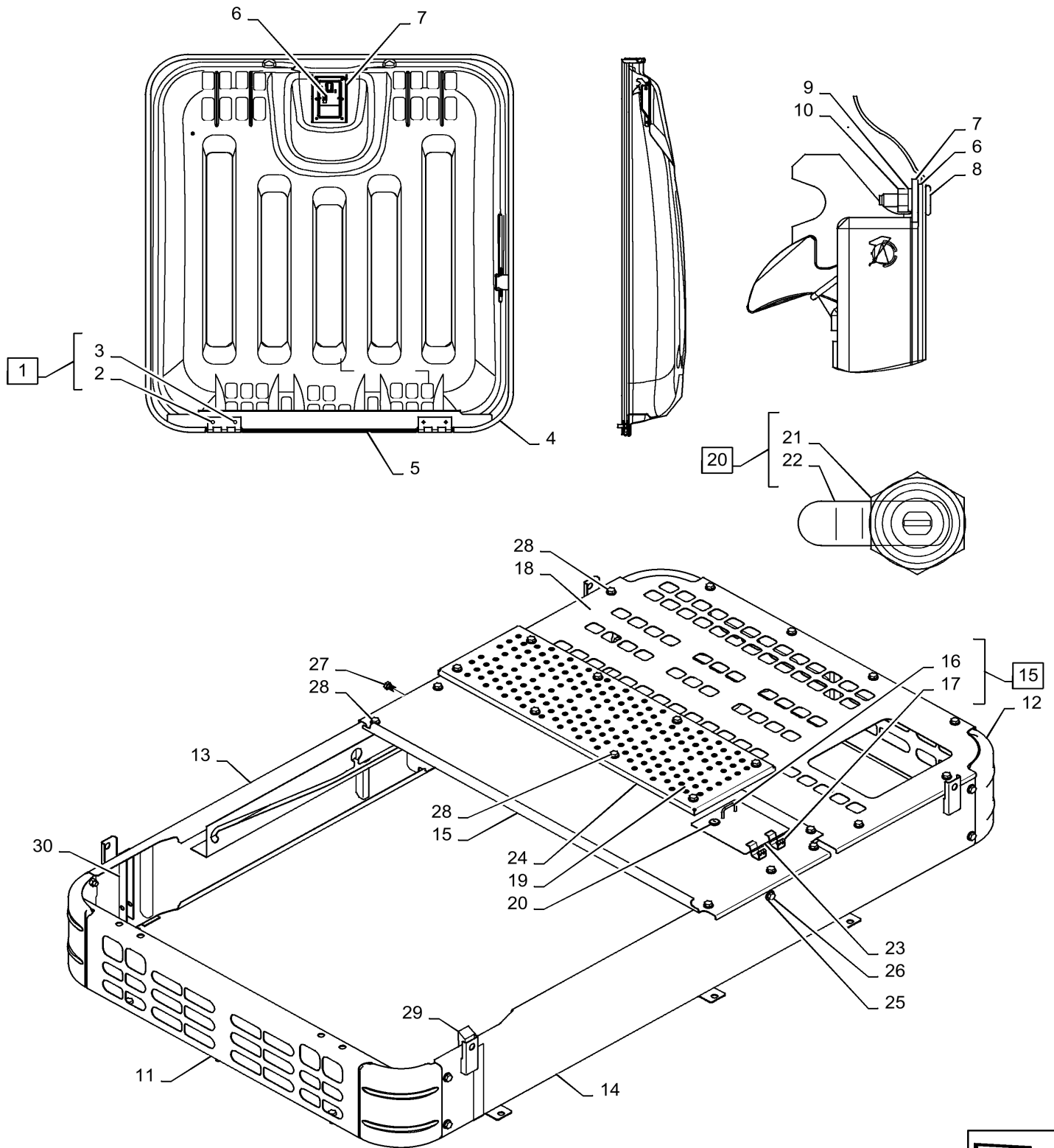
SECTION AA



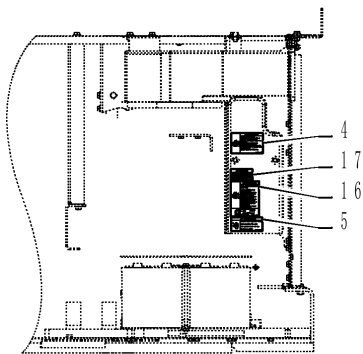
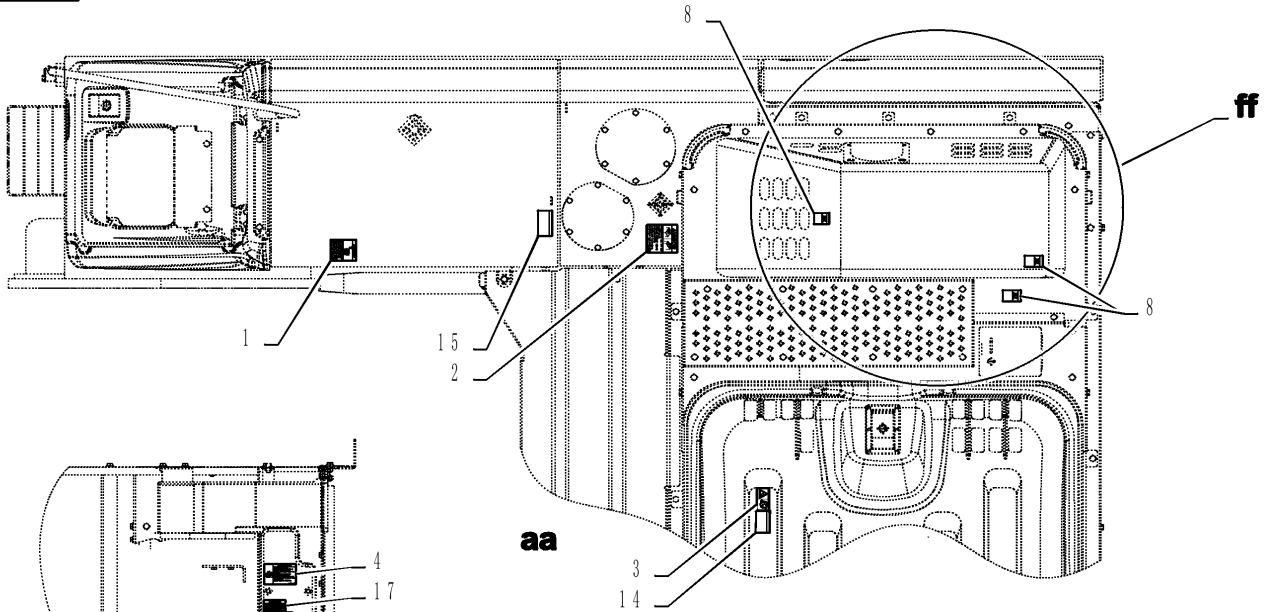
SIDE PANEL



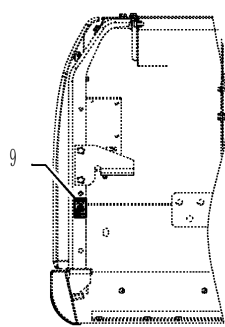
ENGINE HOOD - COMPONENTS



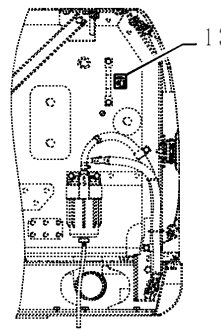
NAMEPLATE INSTALL (EXTERIOR WARNING)



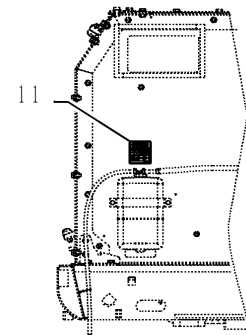
AA



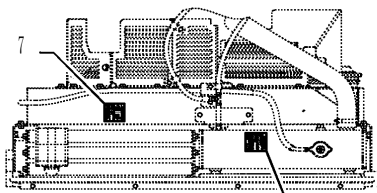
EE



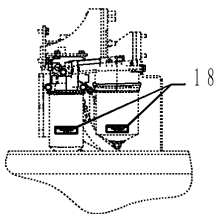
BB



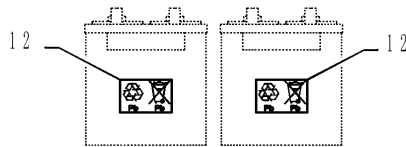
DD



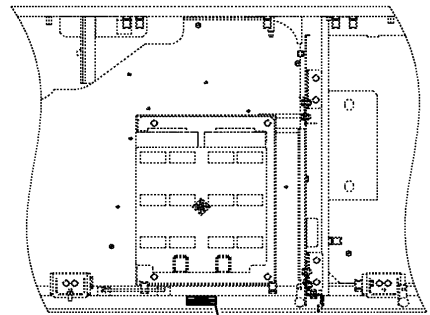
bb



ee



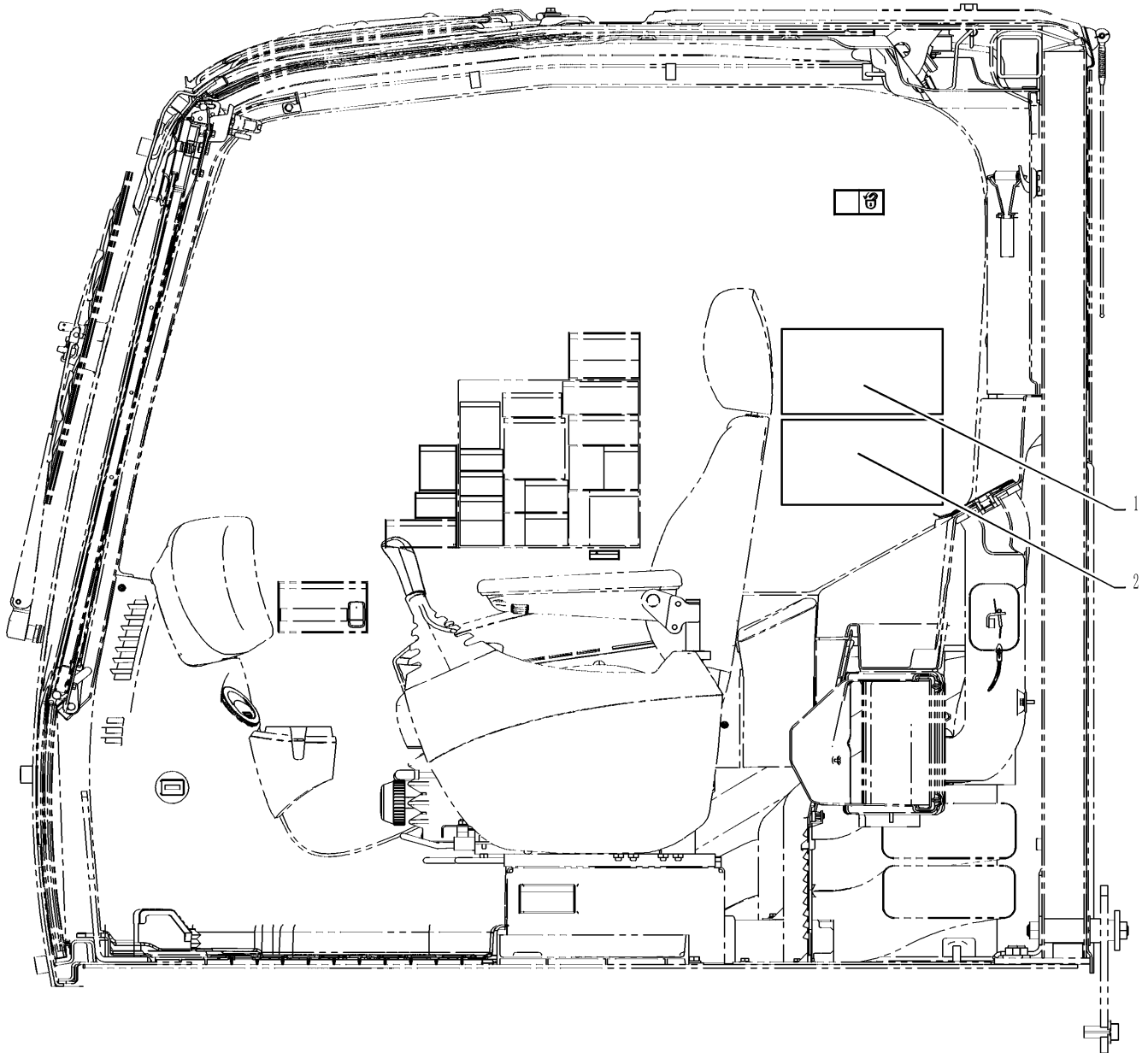
I



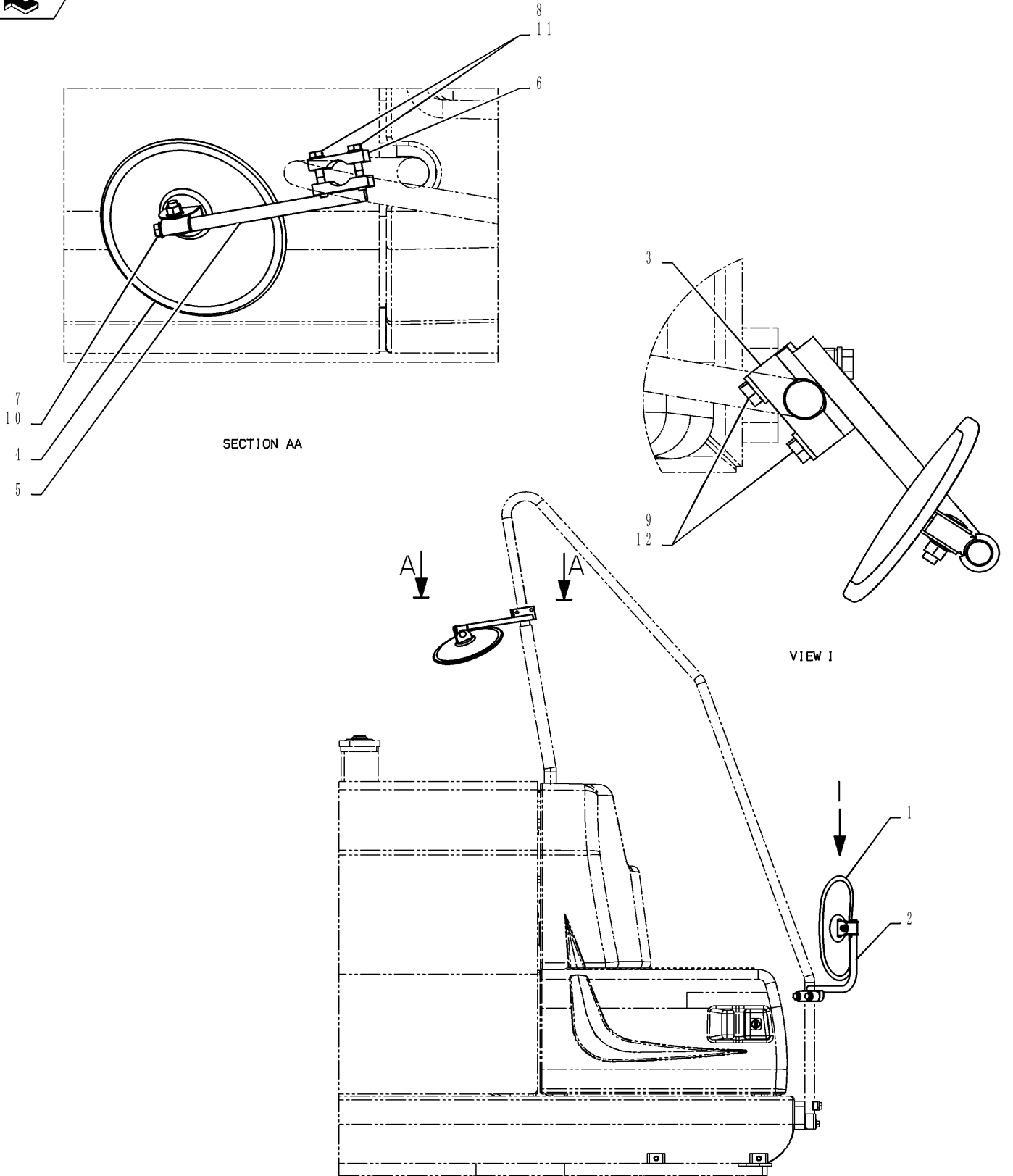
CC



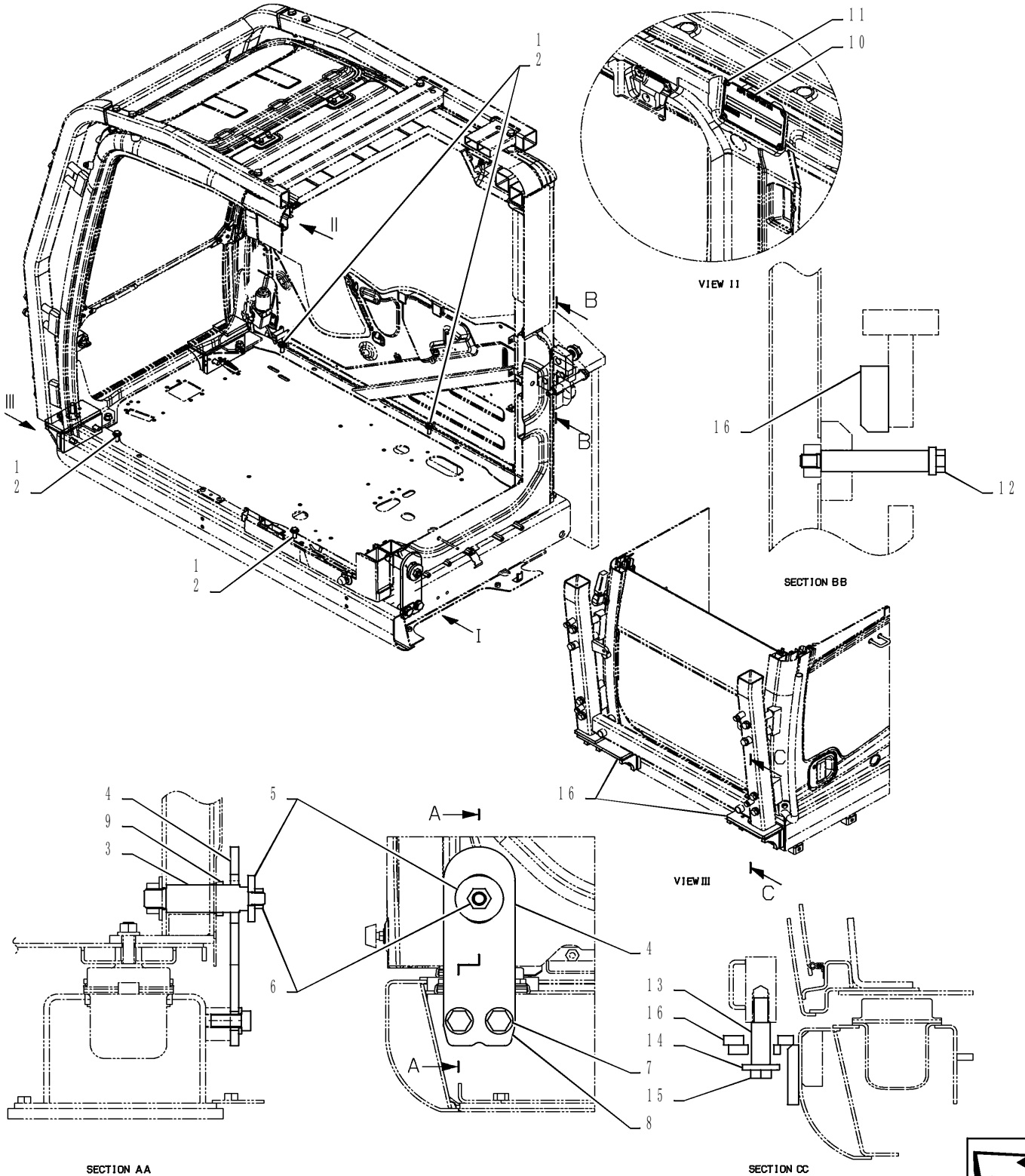
NAME PLATE INSTALL (LIFT CHARTS STD)



MIRROR, INSTALL

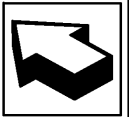


CAB INSTALL



SECTION AA

SECTION CC



CLICK HERE TO **DOWNLOAD** THE COMPLETE MANUAL

- Thank you very much for reading the preview of the manual.
- You can download the complete manual from: [www.heydownloads.com](http://www.heydownloads.com) by clicking the link below



- Please note: If there is no response to CLICKING the link, please download this PDF first and then click on it.

CLICK HERE TO **DOWNLOAD** THE COMPLETE MANUAL