

**LX172,LX173,LX176,
LX178,LX186,LX188
Lawn Tractors**



JOHN DEERE

PARTS CATALOG

**LX172, LX173, LX176, LX178,
LX186 and LX188 Lawn Tractors**

PC2317 (OCT-08) English

John Deere Horicon Works

Worldwide Edition
Litho in U.S.A. (Revised)
COPYRIGHT © 2008
DEERE & COMPANY
Moline, Illinois
All rights reserved

CLICK HERE TO **DOWNLOAD** THE COMPLETE MANUAL

- Thank you very much for reading the preview of the manual.
- You can download the complete manual from: www.heydownloads.com by clicking the link below



- Please note: If there is no response to CLICKING the link, please download this PDF first and then click on it.

CLICK HERE TO **DOWNLOAD** THE COMPLETE MANUAL

10-9

LX172, LX173, LX176, LX178, LX186 AND LX188 LAWN TRACTORS

MP8889

-UN-01JAN94



LX186 LAWN TRACTOR

LX186 (WITH 48-INCH MOWER DECK)

1991 MODEL (SN M0L186X010001-040009)

(SPECIFICATIONS AND DESIGN SUBJECT TO CHANGE WITHOUT NOTICE)

ALPHABETICAL INDEX - CONTINUED

	PAGE		PAGE
I		J	
IDLER ARM, TRACTION DRIVE (LX176, LX178, LX186, LX188)	52-24	JACKSHEAVE (38"/97 CM)	85-2
IDLER ARM, TRACTION DRIVE (LX172, LX173)	50-10	JACKSHEAVE (44"/1,12 M - W/ SN)	85-12
IDLERS (38"/97 CM)	85-2	JACKSHEAVE (44"/1,12 M - W/O SN)	85-10
IDLERS (44"/1,12 M - W/ SN)	85-12	JACKSHEAVE (48"/1,22 M)	85-20
IDLERS (44"/1,12 M - W/O SN)	85-10		
IDLERS (48"/1,22 M)	85-20	K	
IGNITER (LX172, LX176, LX186)	15-14	KEY, ENGINE DRIVE SHEAVE (LX172, LX173)	50-10
IGNITER (LX178, LX188)	22-16	KEY, IGNITION (SEE PAGE FOR SN) (LX172, LX173, LX176)	40-6
IGNITION COIL (LX172, LX176, LX186)	15-16	KEY, IGNITION (SEE PAGE FOR SN) (LX172, LX176)	40-4
IGNITION COIL (LX173)	20-10	KEY, IGNITION (SEE PAGE FOR SN) (LX172, LX176, LX186)	40-2
IGNITION COIL (LX178, LX188)	22-16	KEY, IGNITION (SEE PAGE FOR SN) (LX178, LX188)	40-8
IGNITION KEY (SEE PAGE FOR SN) (LX172, LX173, LX176)	40-6	KEY, IGNITION (SEE PAGE FOR SN) (LX178, LX188)	40-10
IGNITION KEY (SEE PAGE FOR SN) (LX172, LX176)	40-4	KEY, IGNITION (SEE PAGE FOR SN) (LX178, LX188)	40-12
IGNITION KEY (SEE PAGE FOR SN) (LX172, LX176, LX186)	40-2	KIT, BATTERY CHARGER	40-17
IGNITION KEY (SEE PAGE FOR SN) (LX178, LX188)	40-8	KIT, CARBURETOR GASKET (LX172, LX176)	30-8
IGNITION KEY (SEE PAGE FOR SN) (LX178, LX188)	40-10	KIT, CARBURETOR GASKET (LX173)	30-12
IGNITION KEY (SEE PAGE FOR SN) (LX178, LX188)	40-12	KIT, CARBURETOR GASKET (LX178)	30-18
IGNITION MODULE (LX173)	20-10	KIT, CARBURETOR GASKET (LX186)	30-22
IGNITION MODULE (SEE PAGE FOR SN) (LX172, LX173, LX176)	40-6	KIT, CARBURETOR GASKET (LX188)	30-28
IGNITION MODULE (SEE PAGE FOR SN) (LX172, LX176)	40-4	KIT, CYLINDER HEAD (LX173)	20-2
IGNITION MODULE (SEE PAGE FOR SN) (LX172, LX176, LX186)	40-2	KIT, ENGINE GASKET (LX172, LX176)	15-4
IGNITION MODULE (SEE PAGE FOR SN) (LX178, LX188)	40-8	KIT, ENGINE GASKET (LX178)	22-4
IGNITION MODULE (SEE PAGE FOR SN) (LX178, LX188)	40-10	KIT, ENGINE GASKET (LX186)	15-6
IGNITION MODULE (SEE PAGE FOR SN) (LX178, LX188)	40-12	KIT, ENGINE GASKET (LX188)	22-6
INDICATOR BULB (LX172, LX176)	40-21	KIT, FRAME REINFORCEMENT (LX176, LX178, LX186, LX188)	52-27
INDICATOR BULB (SEE PAGE FOR SN) (LX172, LX173, LX176)	40-6	KIT, FRONT BAFFLE (48"/1,22 M)	85-26
INDICATOR BULB (SEE PAGE FOR SN) (LX172, LX176)	40-4	KIT, FRONT WEIGHT BRACKET	80-12
INDICATOR BULB (SEE PAGE FOR SN) (LX172, LX176, LX186)	40-2	KIT, FRONT WHEEL WEIGHT	80-14
INDICATOR BULB (SEE PAGE FOR SN) (LX178, LX188)	40-8	KIT, GAGE WHEEL	85-34
INDICATOR BULB (SEE PAGE FOR SN) (LX178, LX188)	40-10	KIT, HOME MAINTENANCE	80-32
INNERTUBE, FRONT	80-10	KIT, HOURMETER	40-22
INNERTUBE, REAR	80-11	KIT, INSTRUMENTATION (LX172, LX176)	40-21
INSTRUMENT PANEL	80-2	KIT, LEAF MULCHER (48"/1,22 M)	85-27
INSTRUMENTATION KIT (LX172, LX176)	40-21	KIT, LEAF MULCHER PLATE (38"/97 CM)	85-6
INSULATOR, CARBURETOR (LX172, LX176)	30-36	KIT, MULCH (44"/1,12 M)	85-18
INSULATOR, CARBURETOR (LX173)	30-38	KIT, MULCHING (38"/97 CM)	85-8
INSULATOR, CARBURETOR (LX178) (LX188)	30-42	KIT, PLASTIC CHUTE (48"/1,22 M)	85-24
INSULATOR, CARBURETOR (LX186)	30-40	KIT, REAR BAFFLE (48"/1,22 M)	85-26
INTAKE MANIFOLD (LX178) (LX188)	30-42	KIT, REAR WEIGHT BRACKET	80-13
INTAKE SEAL (LX172, LX176, LX186, LX178, LX188)	80-6	KIT, SURFACE REPAIR (LX172, LX176, LX186, LX178, LX188)	80-6
INTAKE SEAL (LX173)	80-8	KIT, SURFACE REPAIR (LX173)	80-8
INTAKE VALVE (LX172, LX176, LX186)	15-12	KIT, TRICYCLER MULCH (48"/1,22 M)	85-28
INTAKE VALVE (LX173)	20-2	KIT, WEAR PLATE (38"/97 CM)	85-7
INTAKE VALVE (LX178, LX188)	22-11	KNOB, HEIGHT INDICATOR	85-30
		KNOB, SEAT	80-4
		KNOB, SHIFT (LX172, LX173)	50-12
		L	
		LABEL, BATTERY	40-16
		LABELS, (LX176) (EXPORT)	80-21
		LABELS, (LX178)	80-23
		LABELS, (LX178) (FRENCH CANADIAN)	80-26

15-5

ENGINE (LX172, LX176 AND LX186)

ENGINE GASKET KIT (LX172, LX176) (CONTINUED)

KEY	PART NO.	PART NAME	QTY.	ENGINE SERIAL NO.	REMARKS
1	M97246	GASKET	1		INTAKE PIPE
2	M143234	GASKET	1		CRANKCASE COVER, (SUB FOR M97247)
3	M97215	GASKET	1	-177823	ROCKER COVER (USE WITH PLASTIC COVER) (SHOWN)
4	M70018	GASKET	1	177824-	ROCKER COVER (USE WITH ALUMINUM COVER)
4	M74165	RING	1		AIR FILTER
5	M134017	O-RING	2		OIL FILTER MOUNTING BRACKET
6	M70096	O-RING	1		COUNTER WEIGHT SHAFT
7	M74160	RING	1		
8	M88451	SEAL	1		CRANKSHAFT
9	M88478	O-RING	1		OIL FILLER NECK
10	M88482	GASKET	1		OIL GAUGE
11	M97206	SCREEN	1		OIL PUMP
12	M97209	O-RING	1		OIL DRAIN EXTENSION
13	M88476	GASKET	1		OIL DRAIN PLUG
14	M97202	GASKET	1		CARBURETOR
15	M97245	GASKET	1		CARBURETOR INSULATOR
16	M124523	SEAL	1		CRANKSHAFT, (SUB FOR PT13344)
17	AM130362	GASKET KIT	1		ENGINE, (SUB FOR AM109250, AM116356 OR AM124818)

15-15

ENGINE (LX172, LX176 AND LX186)

ENGINE COVER AND SHROUDS (CONTINUED)

KEY	PART NO.	PART NAME	QTY.	ENGINE SERIAL NO.	L L L	REMARKS
					X X X	
					1 1 1	
					7 7 8	
					2 6 6	
1	21M7246	SCREW	3			M6 X 16
2	24M7054	WASHER	3			6.400 X 12 X 1.600 MM
3	19M7861	SCREW	4		X X	M6 X 10
	M88525	BOLT	4			X
4	M74282	GUARD	1		X X	
	M70084	GUARD	1			X
5	AM109239	KIT	1		X X	SCREEN & SHIM (INCLUDES (3) SHIMS)
	AM109240	KIT	1			X SCREEN & SHIM (INCLUDES (3) SHIMS)
6	SHROUD	1		X X	(A)
	M115074	SHROUD	1			X (NLA)
7	M97273	HOUSING	1			X
8	M97197	HOUSING	1		X X	
	M97272	HOUSING	1			X
9	19M7774	SCREW	12		X X	M6 X 12
	19M7774	SCREW	13			X M6 X 12
10	SHROUD	1		X X	(A)
	M97270	SHROUD	1			X
11	M74276	WASHER	1		X X	
	M70120	WASHER	1			X
12	M74275	NUT	1		X X	
	M70119	NUT	1			X
13	SHROUD	1		X X	(A)
	M97268	SHROUD	1			X
14	M88493	SCREW	2		X X	
15	M97201	COVER	1		X X	
16	M88490	CLAMP	1			
17	PT11217	SLEEVE	1			
18	M88493	SCREW	1			
19	AM132770	IGNITOR	1			(SEE DTAC SOLUTION 54382) (SUB FOR M73484, THIS APPLICATION)
20	AH89557	CLIP	1		X X	(SUB FOR N10010)
..	AM109238	ISOLATOR KIT	1			SHROUD (INCLUDES PARTS MARKED (A))

20-5

ENGINE (LX173)

CRANKSHAFT, PISTON AND SHORT BLOCK (CONTINUED)

KEY	PART NO.	PART NAME	QTY.	ENGINE SERIAL NO.	REMARKS
1	M92074	SEAL	1		
2	CYLINDER BLOCK	1		
3	M92069	STRAP	1		
4	19M7867	SCREW	1		M8 X 25
5	MIU11251	DOWEL PIN	4		LOCATING, (SUB FOR M92070, M132339 OR M144516)
6	AM123079	KIT	1		CAMSHAFT (METAL GEAR)
7	MIU10690	SPRING	1		ACTUATING, (SUB FOR M96988 OR M133017)
8	M93955	SOLID SHIM	AR		.73 MM (.029") (WHITE)
	M97015	SOLID SHIM	AR		.75 MM (.030") (BLUE)
	M118585	SHIM	AR		.81 MM (.032") (RED)
	M96817	SOLID SHIM	AR		.86 MM (.034") (YELLOW)
	M96818	SOLID SHIM	AR		.91 MM (.036") (GREEN)
	M96819	SOLID SHIM	AR		.96 MM (.038") (GRAY)
	M118584	SHIM	AR		1.02 MM (.040") (BLACK)
9	M126874	SHAFT	1		BALANCE
10	AM122461	PISTON REPLACEMENT KIT	1		(STD)
	AM122463	PISTON REPLACEMENT KIT	1		.50 MM (.020") OS
11	M92077	RETAINER	2		PISTON PIN
12	AM122468	PISTON RING KIT	1		(STD)
	AM122470	PISTON RING KIT	1		.50 MM (.020") OS
13	M92075	CONNECTING ROD	1		(STD)
	M92076	CONNECTING ROD	1		.25 MM (.010") US
14	PIN	1		
15	GEAR	1		
16	WASHER	1		
17	SHAFT	1		
18	PLUG	1		
19	AM117019	GEAR KIT	1		GEAR
20	M96520	WASHER	1		
21	M92079	SEAL	1		
22	M93419	WASHER	1		
23	M126396	QUICK LOCK PIN	1		
24	AM123070	SHAFT	1		GOVERNOR (INCLUDES M126396)
25	PLUG	1		
26	AM121531	CRANKSHAFT	1		(ENGINE MARKED CV15S-41537)
	AM128237	CRANKSHAFT	1		(ENGINE MARKED CV15S-41571)
27	37M7090	SCREW	2		M6 X 16
28	12H302	LOCK WASHER	2		1/4"
29	M42101	COVER	1		
30	M126886	GASKET	1		FUEL PUMP, (SUB FOR M74938)
31	24H1287	WASHER	2		9/32" X 5/8" X 0.065"
32	AM125360	CYLINDER BLOCK	1		(SUB FOR AM123304)
33	19M7866	SCREW	4		M8 X 20 ENGINE MOUNTING
..	AM123135	ENGINE	1		(MARKED CV15S-41537) (SUB AM125360) (ALSO ORDER M131419 AND M137832)
..	AM124681	ENGINE	1		(MARKED CV15S-41571) (SUB AM125360)

22-5

ENGINE (LX178 AND LX188)

ENGINE GASKET KIT (LX178) (CONTINUED)

KEY	PART NO.	PART NAME	QTY.	SERIAL NO.	REMARKS
1	M113678	GASKET	1		FILLER NECK
2	M113686	GASKET	2		MUFFLER
3	M113687	GASKET	2		FUEL PUMP
4	M113705	GASKET	1		BREATHER
5	M113711	GASKET	1		INTAKE MANIFOLD
6	M113706	GASKET	1		CRANKCASE COVER
7	GASKET	1		WATER PUMP
8	GASKET	1		THERMOSTAT
9	M96727	ENGINE CYLINDER HEAD GASKET	2		
10	SEAL	1		WATER PUMP
11	M88987	SEAL	1		GOVERNOR SHAFT
12	O-RING	1		WATER PUMP
13	GASKET	1		DRAIN PLUG
14	M88482	GASKET	1		OIL FILLER CAP
15	M77746	GASKET	1		SWITCH
16	GASKET	1		PUMP COVER
17	M115442	GASKET	2		ROCKER CASE
18	M115441	GASKET	1		DUCT
19	M113714	GASKET	1		CARBURETOR
20	M113713	GASKET	1		INTAKE PIPE
21	M113712	GASKET	1		INTAKE MANIFOLD
22	M96844	O-RING	1		AIR INTAKE
23	PT13921	SEAL	1		CRANKCASE COVER
24	M96765	SCREEN	1		OIL
25	M96799	GASKET	1		
26	M96739	SEAL	1		CRANKCASE
27	AM132713	KIT	1		ENGINE GASKET, (SUB FOR AM108960)

22-15

ENGINE (LX178 AND LX188)

RADIATOR, WATER PUMP AND THERMOSTAT (CONTINUED)

KEY	PART NO.	PART NAME	QTY.	ENGINE SERIAL NO.	L L		REMARKS
					1 1	7 8	
					X X		
					1 1		
					7 8		
					8 8		
1	M96771	SCREEN	1				
2	M120231	SPRING	2				(SUB FOR M76167)
3	AM107434	FILLER CAP	1				RADIATOR
4	AM119599	KIT	1				RADIATOR, (SUB FOR AM109037)
5	TY22462	CLAMP	1				(SUB FOR AR48236)
6	HOSE	1				(MAKE FROM M76173) (SUB FOR M96776)
7	19M7775	SCREW	3				M6 X 16
8	M76176	CAP	1				
9	M96779	RESERVOIR	1				
10	M76189	FAN	1				
11	19M7862	SCREW	10				M6 X 20
12	M76172	CLAMP	4				(SUB M147351)
13	M96778	RADIATOR HOSE	1				
14	AM109039	KIT	1				AIR DUCT (INCLUDES (2) DUCTS)
15	M76187	CLIP	2				
16	M96770	COVER	1				
17	AM121668	KIT	1				THERMOSTAT AND GASKET, (SUB M123434 AND M113710)
18	M76144	GEAR	1				
19	M152393	SEAL	1				(SUB FOR M96780)
20	M127265	DOWEL PIN	1				
21	M148300	GASKET	1				(SUB FOR M113708)
22	M127267	COVER	1				PUMP, (SUB FOR M115438 OR M96774)
23	19M7834	SCREW	3				M6 X 45
24	TY22464	CLAMP	2				
25	HOSE	1				(MAKE FROM TY22324) (SUB FOR M96775)
26	M76150	GASKET	1	-007488	X		
	M76150	GASKET	1	-002361	X		
27	19M7864	SCREW	1	-007488	X	M8 X 12	
	19M7864	SCREW	1	-002361	X	M8 X 12	
28	M69370	BOLT	1				
29	19M8145	SCREW	1				M6 X 80
30	M96777	RADIATOR HOSE	1				
31	M148301	GASKET	1				(SUB FOR M113707)
32	M76185	BUSHING	4				
33	M76183	WASHER	2				
34	M115441	GASKET	1				(SUB FOR M96768)
35	M78012	WASHER	8				
36	M115788	STUD	4				(SUB FOR M96782)
37	M115314	SCREEN	1				
38	M96783	ISOLATOR	4				
39	M76168	BUSHING	4				
40	14M7273	NUT	4	-006729	X	M8	
	M70097	NUT	4	006730-	X		
	14M7273	NUT	4	-001533	X	M8	
	M70097	NUT	4	001534-	X		
41	AM115576	SHROUD	1				
42	M97344	WASHER	1				
43	M76118	SEAL	1				
44	M76145	O-RING	1				
45	AM134588	WATER PUMP	1				(SUB FOR AM109038, AM121672, AM132710 OR AM123406)
46	M95851	WASHER	4				
47	M123948	PAD	2				RADIATOR SHROUD

30-5

FUEL AND AIR

CARBURETOR (MARKED 32409) (LX172, LX176) (CONTINUED)

KEY	PART NO.	PART NAME	QTY.	SERIAL NO.	REMARKS
1	M88557	SCREW	2		
2	M88550	RING	1		
3	W40478	RING	1		
4	AM109246	KIT	1		THROTTLE SHAFT
5	M88536	SCREW	2		
6	M77484	RING	1		
7	M88769	RING	1		
8	AM121365	KIT	1		CHOKE SHAFT
9	M96541	TUBE	1		
10	M94462	CLAMP	1		
11	M77143	JET	1		AIR (MARKED 1.8)
12	M70292	JET	1		AIR (MARKED 1.1)
13	JET	1		(J) MAIN (MARKED 100)
14	M120523	NOZZLE	1		MAIN
15	M120524	HOLDER	1		MAIN JET
16	M120521	VALVE SEAT	1		
17	PT12064	CLIP	1		
18	M73847	VALVE	1		NEEDLE (RIGID TYPE)
19	M76326	RING	1		
20	M120527	JET	1		(J) PILOT (MARKED 60) (NLA)
21	AM109191	KIT	1		PLATE AND SCREW
22	M88544	COMPRESSION SPRING	3		
23	21M7230	SCREW	1		M4 X 14
24	M74288	SCREW	1		
25	M120522	SOLENOID	1		
26	M117551	WASHER	1		
27	M88543	SCREW	1		
28	AM109436	CHAMBER	1		FLOAT
29	M88547	GASKET	1		
30	M76505	FLOAT	1		
31	M88548	PIN	1		
32	AM121292	CARBURETOR	1		(MARKED 32409) (SUB AM122698)
..	AM119705	KIT	1		MAIN AND PILOT (INCLUDES HIGH ALTITUDE JETS, AND PARTS MARKED (J))

30-13

FUEL AND AIR

MEMORANDA

30-23

FUEL AND AIR

CARBURETOR GASKET KIT (LX186) (CONTINUED)

KEY	PART NO.	PART NAME	QTY.	SERIAL NO.	REMARKS
1	M73847	VALVE	1		NEEDLE (RIGID TYPE)
	AM104366	VALVE	1		NEEDLE (W/SPRING TYPE) (NOT USED THIS APPL)
2	M115070	GASKET	1		(NOT USED THIS APPL)
3	M70061	INSULATOR	1		
4	M76326	RING	1		PILOT JET
5	M77485	WASHER	1		
6	M77488	RING	1		
7	M88547	GASKET	1		
8	M88548	PIN	1		FLOAT
9	M88550	RING	1		
10	M88551	SEAL	1		THROTTLE SHAFT (FELT)
11	M88554	WASHER	1		(NOT USED THIS APPL)
12	M88769	RING	1		CHOKE SHAFT (NOT USED THIS APPL)
13	M97274	GASKET	1		CARBURETOR
14	M97275	GASKET	1		INTAKE PIPE
15	M97276	GASKET	1		INSULATOR
16	W40478	RING	1		(NOT USED THIS APPL)
17	BUSHING	1		CHOKE SHAFT
18	O-RING	1		CHOKE SHAFT
19	AM118722	GASKET KIT	1		(SUB FOR AM109357 OR AM109454)

30-31

FUEL AND AIR

GOVERNOR LINKAGE (LX172, LX176, LX186) (CONTINUED)

KEY	PART NO.	PART NAME	QTY.	ENGINE SERIAL NO.	L L L	REMARKS
					X X X	
					1 1 1	
					7 7 8	
					2 6 6	
1	M74266	PIN	1		X X	CHOKE (FC420V-AS10)
	M122751	LINK	1		X X	CHOKE (FC420V-BS10, FC420V-DS10 AND FC420V-ES10)
	M70088	LINK	1		X	CHOKE (FC540V-AS10)
2	M95855	BOLT	1			
3	M70090	SPRING	1			
4	M97242	CLIP	1			
5	M93314	SPRING	1			
6	21M7369	SCREW	2			M4 X 25
7	M95854	SPRING	1			
8	M88468	CLAMP	1			
9	AM109207	KIT	1		X X X	CONTROL PANEL (FC420V-AS10 AND FC540V-AS10)
	AM121293	KIT	1		X X	CONTROL PANEL (FC420V-BS10, FC420V-DS10 AND FC420V-ES10)
10	M74267	WASHER	2		X X	
	M88470	BUSHING	1		X	
11	M122226	WASHER	2		X	(SUB FOR M88497)
12	19M7177	CAP SCREW	2		X X	M6 X 35
	12M7006	LOCK WASHER	2		X X	6 MM
	M95886	BOLT	1		X	
13	M74265	EXTENSION SPRING	1		X X	
	M70087	EXTENSION SPRING	1		X	
14	M74264	PIN	1		X X	GOVERNOR
	M70086	LINK	1		X	GOVERNOR
15	AM104557	ARM	1		X X	
	AM102376	ARM	1		X	
16	M74268	WIRE	1		X X	(FC420V-AS10 AND FC420V-ES10)
	M120025	SPRING	1		X X	(FC420V-BS10 AND FC420V-DS10) (INCLUDED IN AM121293 KIT)
	M70094	SPRING	1		X	(FC540V-AS10)
17	14M7272	NUT	1			M6
18	24M7088	WASHER	1			6.600 X 12 X 1.600 MM
19	M70085	BOLT	1			
20	MIU12068	PIN	1			(SUB FOR M88461)
21	AM104477	GOVERNOR KIT	1			(SUB AM101063) (ALSO ORDER M70101)
22	M95856	WASHER	1			(SUB FOR M88496)
23	AM109237	KIT	1			GOVERNOR & PIVOT ARM (SUB COMPONENTS)
24	12H302	LOCK WASHER	1		X	1/4"
25	M70091	BOLT	1		X	
26	M70093	BUSHING	1		X	
27	M97241	WASHER	1			
28	M97240	ARM	1			

30-41

FUEL AND AIR

AIR CLEANER (LX186) (CONTINUED)

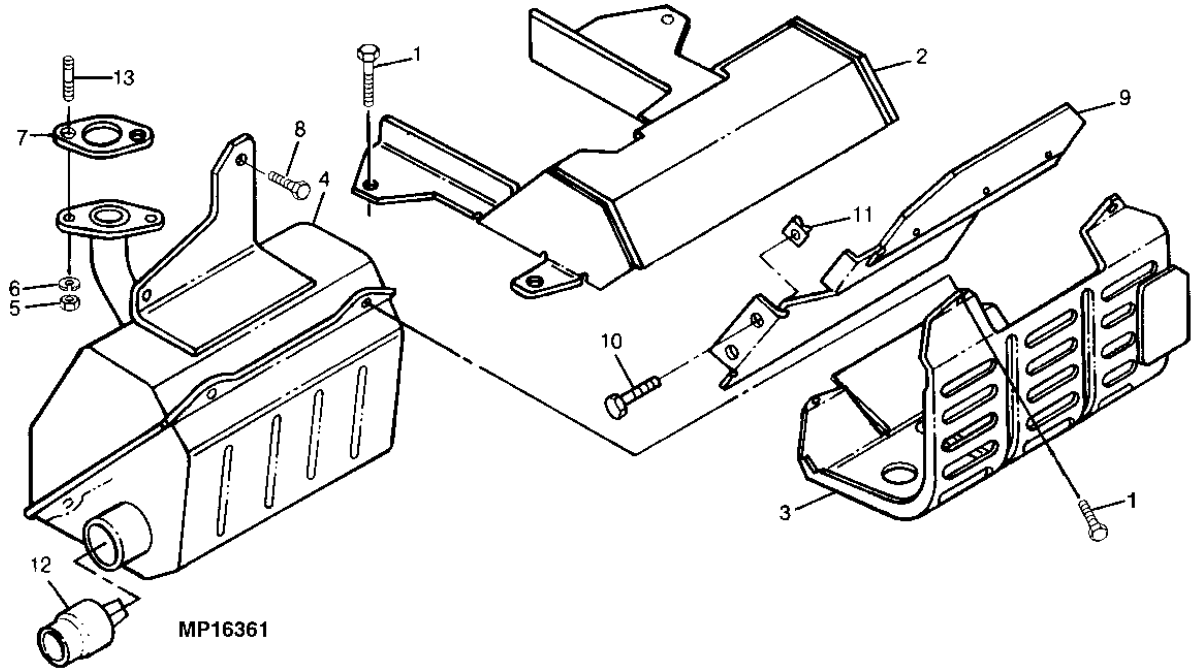
KEY	PART NO.	PART NAME	QTY.	SERIAL NO.	REMARKS
1	AM109261	SCREW AND WASHER KIT	1		(INCLUDES (2) EACH)
2	M97266	FILTER ELEMENT	1		(PAPER) (SUB FOR M70128)
3	M70127	FILTER ELEMENT	1		(FOAM)
4	AM109292	AIR CLEANER KIT	1		(SUB FOR AM101671)
5	M70024	GASKET	1		
6	AM108818	PIPE	1		(SUB FOR M70064)
7	24M7095	WASHER	1		8.400 X 15 X 1.600 MM
8	14M7273	NUT	2		M8
9	M92721	WIRE	1		GROUND
10	M77136	SCREW	1		
11	M97367	TUBE	1		
12	M70068	CLIP	1		
13	M97275	GASKET	1		INTAKE PIPE
14	M97274	GASKET	1		CARBURETOR (FC540V-AS10) (NOT SHOWN)
	M115070	GASKET	1		CARBURETOR (FC540V-ES00, AS15, DS15, ES15)
15	M70061	INSULATOR	1		
16	M97200	MAT	1		NLA
17	M97276	GASKET	1		INSULATOR
18	M70066	STUD	2		
19	CLAMP	1		(ORDER AM107820)

30-51

FUEL AND AIR

MUFFLER AND DEFLECTOR (LX173)
 SILENCIEUX ET DEFLECTEUR (LX173)
 SCHALLDAEMPFER UND ABWEISER (LX173)
 MARMITTA E DEFLETTORE (LX173)
 SILENCIADOR Y DEFLECTOR (LX173)
 LJUDDAEMPARE OCH AVVISARE (LX173)

MP16361 -UN-12SEP96



KEY	PART NO.	PART NAME	QTY.	SERIAL NO.	REMARKS
1	37M7089	SCREW	8		M6 X 12
2	M125701	AIR DUCT	1		
3	AM118308	GUARD	1		
4	AM122728	MUFFLER	1		
5	14M7273	NUT	2		M8
6	12M7065	LOCK WASHER	2		8 MM
7	M92365	GASKET	1		
8	19M7008	CAP SCREW	2		M8 X 10
9	AM123148	DEFLECTOR	1		
10	19M7862	SCREW	3		M6 X 20
11	M84972	NUT	3		
12	AM115837	SCREEN	1		
13	M134459	STUD	2		SPARK ARRESTOR (SUB FOR M92364)
..	M126898	BRACKET	1		RH MUFFLER MOUNT
..	M126897	BRACKET	1		LH MUFFLER MOUNT

40-7

ELECTRICAL

WIRING HARNESS (LX172A090001-,B110001-,C110001-,X077839-,LX173,LX176A110001-,B110001-,X077839-)

KEY	PART NO.	PART NAME	QTY.	SERIAL NO.	1 1 1			REMARKS
					7	7	7	
					2 3 6			
1	AM120105	MODULE	1		X	X		IGNITION, (SUB FOR AM119626 OR AM119197)
	AM122826	MODULE	1			X		IGNITION
	99M7065	FUSE	2					15 AMP (NOT SHOWN)
2	AM131841	KEY	1					IGNITION (PADDED) (SUB FOR AM101600)
3	AM118802	SWITCH	1					PTO (PUSH/PULL)
4	AM117324	SWITCH	1					HEADLIGHT
5	CONNECTOR	1		X	X		BULB, DISCHARGE LIGHT (ORDER AM108844)
6	CONNECTOR	1					BULB, OIL PRESSURE LIGHT (ORDER AM108844)
7	CONNECTOR	1					VOLTAGE REGULATOR (ORDER AM108848)
8	M135518	ELECTRICAL CONNECTOR ASSY	1		X	X		IGNITION SWITCH MODULE
	CONNECTOR	1			X		(ORDER AM122730)
9	M135517	ELEC. CONNECTOR TERMINAL	1		X	X		IGNITION SWITCH MODULE
	CONNECTOR	1			X		(ORDER AM122730)
10	M43835	ELECTRICAL CONNECTOR ASSY	1					HEADLIGHT SWITCH
11	M43835	ELECTRICAL CONNECTOR ASSY	1					HEADLIGHT SWITCH
12	M117518	ELEC. CONNECTOR TERMINAL	1					PTO SWITCH
13	AM119295	WIRING HARNESS	1		X	X		MAIN
	AM122730	WIRING HARNESS	1			X		
14	T77857	O-RING	1					
15	AM37643	SWITCH	1					NEUTRAL START (TO TRANSAXLE)
16	T28585	ELECTRICAL CONNECTOR ASSY	1					BATTERY
17	T100454	ELEC. CONNECTOR HOUSING	1					ENGINE WIRING HARNESS
18	R77476	ELECTRICAL CONNECTOR ASSY	1					HEADLIGHT
19	M43835	ELECTRICAL CONNECTOR ASSY	1					STARTER
20	T72143	ELECTRICAL CONNECTOR ASSY	1					
21	TERMINAL	1		X	X		OIL PRESSURE, (ORDER AM119295)
22	R77480	ELECTRICAL CONNECTOR ASSY	2					NEUTRAL START SWITCH
23	CONNECTOR	1					SEAT SWITCH, (ORDER AM119295 OR AM122730)
24	M152192	PRESSURE SWITCH	1					OIL (INCLUDES 21M7295) (SUB FOR M92716)
25	T28586	ELECTRICAL CONNECTOR ASSY	1					PTO CLUTCH
26	M96129	EYELET	1		X	X		GROUND
	EYELET	1			X		GROUND, (ORDER AM122730)
27	H77698	TIE BAND	AR					
28	AM103943	WIRING HARNESS	1					TRANSMISSION
29	M76268	CLIP	1					PTO CLUTCH CONNECTOR
30	M110159	NUT	1					KNURLED
31	AR62407	BULB	1					(SUB FOR AM35424)
32	T28583	ELEC. CONNECTOR HOUSING	1					IGNITION SWITCH MODULE
..	AM107086	LINK KIT	1					0.8 FUSIBLE LINK (KIT INCLUDES (6) M77850 SPLICE, (6) M77853 EYELETS, (1) M77855 0.8 MM WIRE, (1) R77502 TUBE, 3/8 X 6 AND (1) R77503 TUBE, 3/16 X 6)
..	AM108844	SOCKET KIT	1					BULB SOCKET (INCLUDES (1) WEDGEBASE BULB SOCKET AND (3) DBL WEDGEBASE BULB TERMINALS)
..	AM108848	REGULATOR KIT	1					CONNECTOR (INCLUDES (1) 6-PIN NYLON REGULATOR CONNECTOR AND (8) TERMINALS (2.0 WIRE))
..	AM118804	KIT	1					PTO PUSH/PULL SWITCH (INCLUDES AM118802 SWITCH AND M117518 CONNECTOR)

CLICK HERE TO **DOWNLOAD** THE COMPLETE MANUAL

- Thank you very much for reading the preview of the manual.
- You can download the complete manual from: www.heydownloads.com by clicking the link below



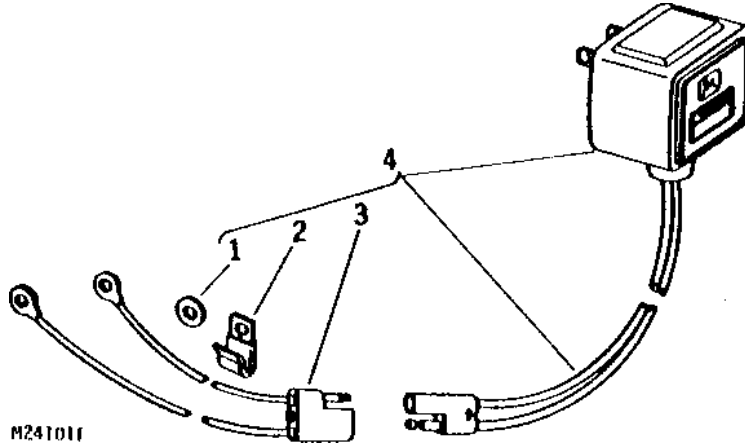
- Please note: If there is no response to CLICKING the link, please download this PDF first and then click on it.

CLICK HERE TO **DOWNLOAD** THE COMPLETE MANUAL

40-17

ELECTRICAL

BATTERY CHARGER KIT
JEU DU CHARGEUR DE BATTERIE
BATTERIE-LADEGERAET-SATZ
KIT DI CARICA DELLA BATTERIA
JUEGO DEL CARGADOR DE BATERIA
BATTERILADDNINGSDON
 M24101F -UN-01JAN94



KEY	PART NO.	PART NAME	QTY.	SERIAL NO.	REMARKS
1	24M7055	WASHER	1		8.400 X 16 X 1.600 MM
2	AH89557	CLIP	1		(SUB FOR N10010)
3	AM32877	WIRING HARNESS	1		
4	AM36786	BATTERY CHARGER KIT	1		

50-5

POWER TRAIN (LX172 AND LX173)

TRANSAXLE GEARS (TRANSAXLE MARKED 801-060) (CONTINUED)

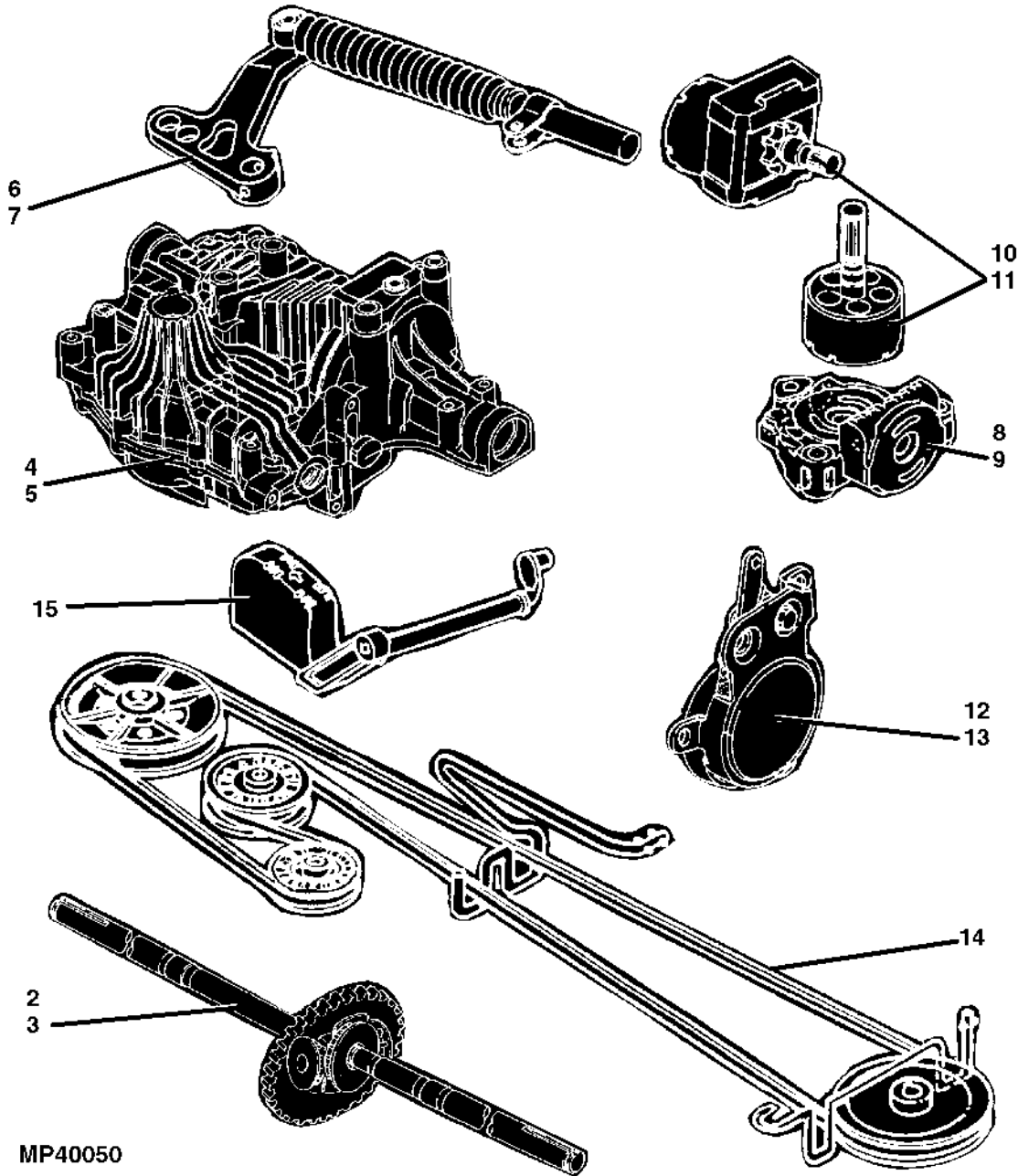
KEY	PART NO.	PART NAME	QTY.	SERIAL NO.	REMARKS
1	AM34141	NEEDLE BEARING	2		
2	M82843	SHAFT	1		INPUT
3	M41026	RING	1		
4	M46676	THRUST WASHER	1		
5	M83295	PINION	1		INPUT
6	B30491	SNAP RING	1		
7	M70505	DISK	1		
8	M133970	RING	1		(SUB FOR M82838)
9	M85023	BUSHING	3		
10	M82806	GEAR	2		(15 TEETH)
11	M82822	SPACER	1		
12	PT11887	CHAIN SPROCKET	1		(14 TEETH)
13	M82817	SHIFT COLLAR	1		
14	M82826	KEY	4		(SET OF TWO)
15	M70502	SHAFT	1		
16	M82835	THRUST WASHER	5		
17	GEAR	1		(35 TEETH) (ORDER M70519 AND M82806)
18	GEAR	1		(30 TEETH) (ORDER M70516 AND M70511)
19	GEAR	1		(25 TEETH) (ORDER M70515 AND M70512)
20	GEAR	1		(22 TEETH) (ORDER AM116909)
21	GEAR	1		(19 TEETH) (ORDER M70514 AND M70513)
22	M82833	THRUST WASHER	1		
23	LINK CHAIN	1		(NO. 41 - 22 LINKS) (MAKE FROM AP22458)
24	M70338	BALL BEARING	1		
25	M82837	WASHER	1		
26	M82841	RING	2		
27	AM37897	NEEDLE BEARING	2		
28	M82824	GEAR	1		OUTPUT
29	M82823	PINION	1		OUTPUT
30	M82839	WASHER	1		
31	PT11888	CHAIN SPROCKET	1		(10 TEETH)
32	M79737	SPRING PIN	1		
33	M70520	COUNTERSHAFT	1		
34	GEAR	1		(42 TEETH) (ORDER M84724, M70521, (2) M46676 AND JD9835)
35	GEAR	1		(20 TEETH) (ORDER M70511 AND M70516)
36	GEAR	1		(A) (25 TEETH) (ORDER M70512 AND M70515)
37	GEAR	1		(28 TEETH) (ORDER AM116909)
38	GEAR	1		(31 TEETH) (ORDER M70513 AND M70514)
39	M40378	WASHER	2		
40	M70510	GEAR	2		BEVEL (ALSO ORDER M84298)
41	AM128047	SNAP RING	2		(PKG OF 2)
42	M83899	BALL BEARING	2		
43	AM104534	AXLE	1		(INCLUDES (2) M74573)
44	AM104535	AXLE	1		(INCLUDES (2) M74573)
45	M83898	BUSHING	1		
46	M46649	BUSHING	2		
47	M88962	BUSHING	1		
48	M46652	PIN FASTENER	1		
49	M46653	THRUST WASHER	2		
50	M84298	PINION	2		BEVEL (ALSO ORDER M70510)
51	AM102793	GEAR	1		(INCLUDES (2) M46649)
52	SHAFT KEY	2		(MAKE FROM H64373)
53	M133970	RING	1		(SUB FOR M82838)
54	M46676	THRUST WASHER	1		
55	M46676	THRUST WASHER	1		

52-1

POWER TRAIN (LX176, LX178, LX186 AND LX188)

SECTIONAL INDEX
 INDEX DE SECTION
 GRUPPENINDEX
 INDICE DELLA SEZIONE
 INDICE DE SECCION
 GRUPPSFORTECKNING

MP40050 -UN-24AUG07



2-	2
3-	3
4-	4
5-	6
6-	8
7-	10
8-	12
9-	14
10-	16
11-	18
12-	20
13-	22
14-	24
15-	26

MP40050

52-11

POWER TRAIN (LX176, LX178, LX186 AND LX188)

CONTROL SHAFT(176A,B110001-,X091153-,178A090004-,B110001-,X093927-,188A090005-,B090001-,X094170-)

KEY	PART NO.	PART NAME	QTY.	SERIAL NO.	REMARKS
1	AM115862	ABSORBER	1		SHOCK
2	11M7009	COTTER PIN	1		2 X 16 MM
3	24M7055	WASHER	2		8.400 X 16 X 1.600 MM
4	M97039	BALL STUD	1		
5	12M7066	LOCK WASHER	1		10 MM
6	M809127	BOLT	1		(SUB FOR M119764)
7	CH13545	NUT	1		
8	24M7047	WASHER	1		13 X 24 X 2.500 MM
9	CH10571	PACKING	1		
10	M114895	FULCRUM	1		
11	CH10568	PACKING	1		
12	AM119338	SHAFT	1		CONTROL, (INCLUDES SPRING)
13	AM878646	BLOCK KIT	1		BEARING (SET OF 2) (SUB FOR AM109182)
14	AM109083	KIT	1		SWASH PLATE
15	M119728	PLATE	1		
16	M119726	BEARING	1		
17	M808901	PLATE	1		(SUB FOR M119727)
18	M806539	THRUST BEARING	2		(SUB FOR M97026)
19	M119730	ROD	1		
20	M97032	ARM	1		
21	M119729	SHAFT	1		BYPASS
22	M810498	SPRING	1		(SUB FOR M97034)
23	CH10567	PACKING	1		
24	M97037	ARM	1		
25	CH11497	PIN	1		
26	CH17125	PIN	1		6 X 40
	CH17124	PIN	1		3.5 X 40
27	M808614	ARM	1		(SUB FOR M119731)
28	CH11489	RING	1		

52-21

POWER TRAIN (LX176, LX178, LX186 AND LX188)

BRAKES (SN: 176X -091152,178X -093926,178A -090003,186X -040009,188X -094169, 188A -090004)(CONT.)

KEY	PART NO.	PART NAME	QTY.	SERIAL NO.	REMARKS
1	M97050	ARM	1		
2	CH17125	PIN	2		
3	M97054	ARM	1		
4	M119741	BRAKE DRUM	1		(SUB FOR M97070)
5	19M7881	SCREW	3		M8 X 20
	12M7065	LOCK WASHER	3		8 MM
6	M97069	BRAKE BAND	1		
7	M97021	RING	1		
8	SPRING	1		RETURN
9	CH10568	PACKING	2		
10	M97053	ARM	1		
11	M97052	ROD	1		
12	24M7054	WASHER	2		6.400 X 12 X 1.600 MM
13	M800051	PIN	2		(SUB FOR CH10542)
14	M97051	SHAFT	1		
15	M97044	BUSHING	1		
16	CH11489	RING	1		
17	ADJUSTER	1		
18	SPRING	1		
19	GUIDE	1		
20	HOLDER	1		
21	ROD	1		
22	AM109085	KIT	1		BRAKE ROD

60-3

STEERING AND BRAKES

STEERING WHEEL (CONTINUED)

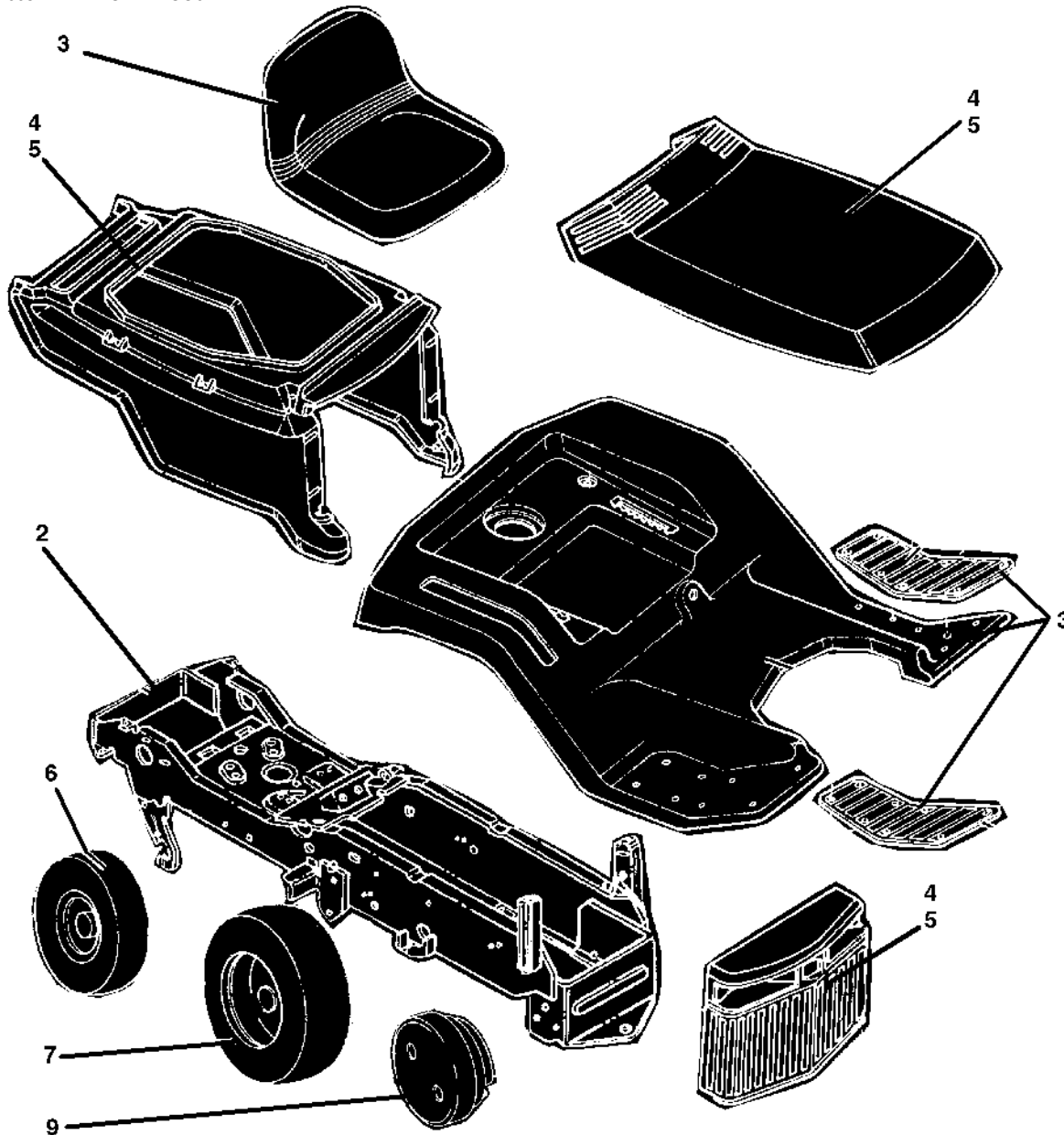
KEY	PART NO.	PART NAME	QTY.	SERIAL NO.	REMARKS
1	M110430	LABEL	1		
2	AM121918	STEERING WHEEL	1		
3	M40514	SNAP RING	1		
4	M81463	BUSHING	2		
5	M87404	BOLT	1		
6	24H1283	WASHER	1		7/32" X 1/2" X 0.049"
7	M63662	LOCK NUT	1		
8	M110218	SHAFT	1		
9	11M7023	COTTER PIN	2		4 X 32 MM
10	M41361	WASHER	4		
11	AM115702	GEAR	1		STEERING
12	M146545	BUSHING	2		(SUB FOR M74734)
13	M110943	SUPPORT	1		
14	19M7164	CAP SCREW	2		M8 X 50
15	M91187	LOCK NUT	2		
16	AM115064	SHAFT	1		
17	AM125418	BALL JOINT	1		
18	14H856	NUT	1		1/2"
19	AM116873	DRAG LINK	1	-110000	(SUB FOR AM115325)
	AM119107	DRAG LINK	1	110001-	
20	M110961	SPACER	2		SECTOR STOP
21	14M7298	FLANGE NUT	4		M8
22	19M7407	CAP SCREW	2		M8 X 25

80-1

SECTIONAL INDEX
 INDEX DE SECTION
 GRUPPENINDEX
 INDICE DELLA SEZIONE
 INDICE DE SECCION
 GRUPPSFORTECKNING

MP40052 -UN-24AUG07

2-	2
3-	4
4-	6
5-	8
6-	10
7-	11
9-	14



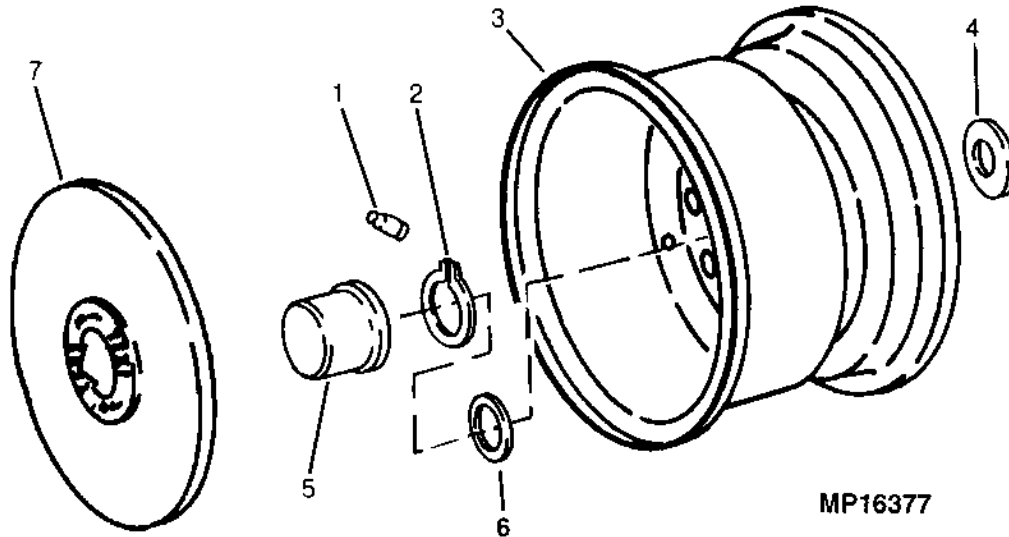
MP40052

80-11

WHEELS, FRAME AND SHEET METAL

REAR WHEELS AND TIRES
 ROUES ET PNEUS ARRIERE
 HINTERE RADER UND REIFEN
 RUOTE E GOMME POSTERIORI
 RUEDAS TRASERAS Y NEUMATICOS
 BAKHJUL OCH DAECK

MP16377 -UN-12SEP96



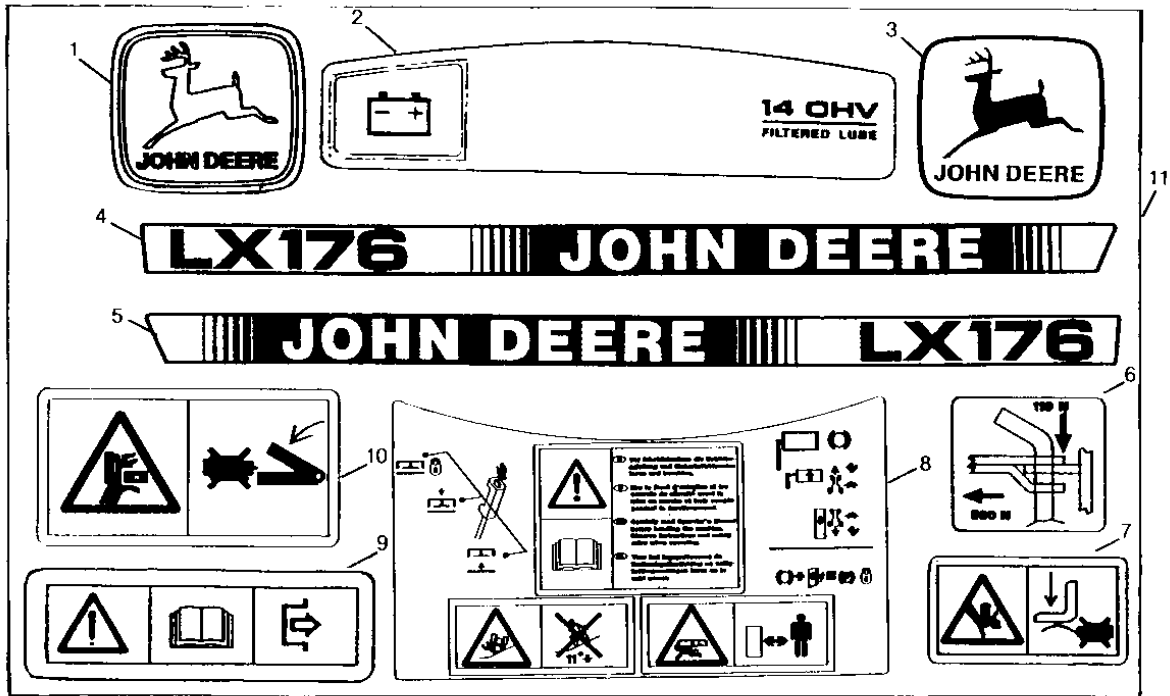
KEY	PART NO.	PART NAME	QTY.	SERIAL NO.	REMARKS
				1 1 1	
				7 7 8	
				2 6 6	
				1 1 1	
				7 7 8	
				3 8 8	
1	AM30795	TIRE VALVE STEM	2		
2	M40514	SNAP RING	2		X
	W23122	SNAP RING	2		X X
3	AM101778	RIM	2		X (8" X 7")
	AM115239	RIM	2		X X (8" X 7")
4	M41361	THRUST WASHER	2		X
	M121128	THRUST WASHER	2		X X
5	M90065	CAP	2		X
	M72752	CAP	2		X X
6	M41361	WASHER	AR		X
	24H1441	WASHER	2		X X 1-1/64" X 1-1/2" X 0.048"
7	M42183	CAP	1		WHEEL (CHROME) (8") (203 MM) (PKG OF 2)
	M96337	COVER	1		WHEEL (YELLOW PLASTIC) (8") (203 MM) (PKG OF 2)
..	MT354	TIRE	2		(20" X 10"-8 DICO TURF-TRAC RS) (SUB FOR M78507 OR M83913) (SUB MT743)
..	M91457	TIRE	2		(20" X 10"-8 CARLISLE TURF-GUARD)
..	M123809	INNERTUBE	2		(FOR 20" X 10"-8 TIRE) (SUB FOR M121274)

80-21

WHEELS, FRAME AND SHEET METAL

LABELS (LX176) (EXPORT)
 ETIQUETTES (LX176) (EXPORT)
 AUFKLEBER (LX176) (EXPORT)
 ETICHETTE (LX176) (PER EXPORTAZIONE)
 CALCOMANIAS (LX176) (EXPORTACION)
 ETIKETTER (LX176) (EXPORT)

MP14973 -UN-08SEP95

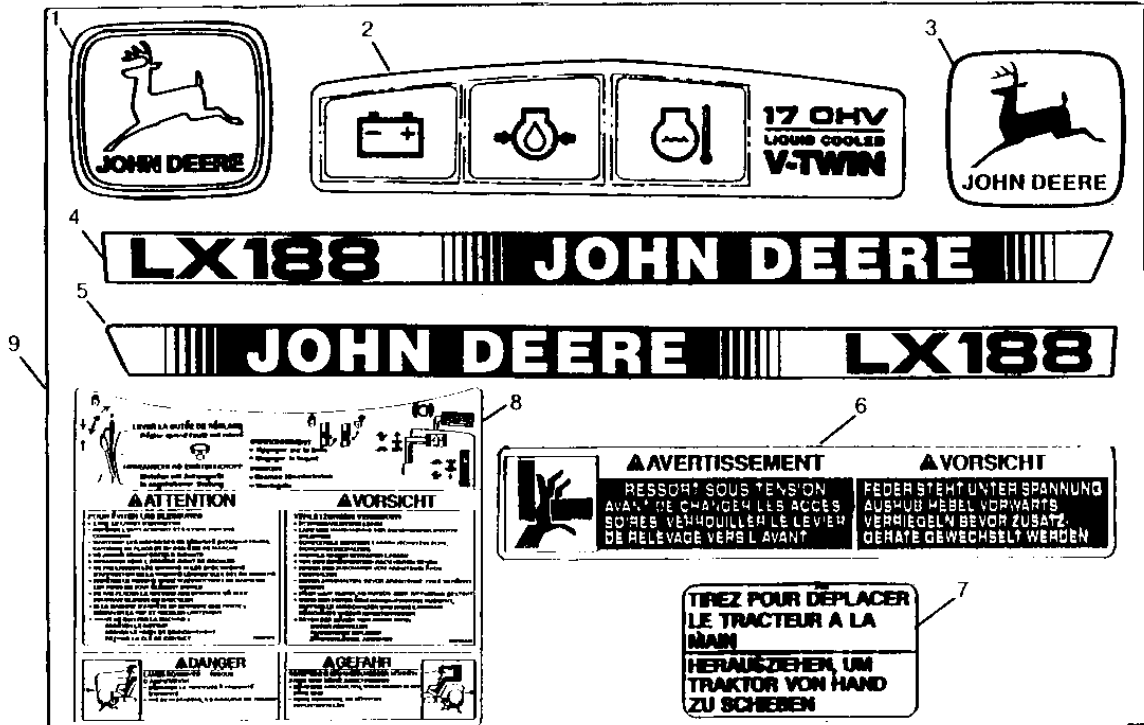


MP14973

KEY	PART NO.	PART NAME	QTY.	SERIAL NO.	REMARKS
1	M110430	LABEL	1		STEERING WHEEL
2	M111152	LABEL	1		INSTRUMENT PANEL
3	JD5665	LABEL	1		HEADLIGHT, (SUB FOR M111694)
4	M116036	LABEL	1		RH HOOD TRIMSTRIP
5	M116037	LABEL	1		LH HOOD TRIMSTRIP
6	M121440	LABEL	1		DRAWBAR
7	M121445	LABEL	1		PINCH POINT WARNING
8	M121050	LABEL	1		DANGER/WARNING
9	M121446	LABEL	1		TOW VALVE
10	M121048	LABEL	1		WARNING
11	AM120835	LABEL KIT	1		

LABELS (LX188) (FRENCH CANADIAN)
 ETIQUETTES (LX188) (FRANCAIS CANADIEN)
 AUFKLEBER (LX188) (KANADISCHES FRANZOESISCH)
 ETICHETTE (LX188) (FRANCESE CANADESE)
 CALCOMANIAS (LX188) (FRANCES CANADIENSE)
 ETIKETTER (LX188) (FRANSKA (KANADA))

MP14982 -UN-08SEP95



MP14982

KEY	PART NO.	PART NAME	QTY.	SERIAL NO.	REMARKS
1	M110430	LABEL	1		STEERING WHEEL
2	M113431	LABEL	1		INSTRUMENT PANEL
3	JD5665	LABEL	1		HEADLIGHT. (SUB FOR M111694)
4	M116262	LABEL	1		RH HOOD TRIMSTRIP
5	M116263	LABEL	1		LH HOOD TRIMSTRIP
6	M113814	LABEL	2		WARNING (FRENCH/GERMAN)
7	M113808	LABEL	1		HYDRO ROD RELEASE (FRENCH/GERMAN)
8	M113812	LABEL	1		DANGER/WARNING HYDRO (FRENCH)
9	AM121547	LABEL KIT	1		

85-9

MOWER DECK AND LIFT LINKAGE

MEMORANDA

85-19

MOWER DECK AND LIFT LINKAGE

MULCH KIT (44"/1,12 M) (CONTINUED)

KEY	PART NO.	PART NAME	QTY.	SERIAL NO.	REMARKS
1	14M7396	LOCK NUT	4		M8
2	M119798	MOWER BLADE	3		UPPER MULCHING
3	M119799	MOWER BLADE	3		LOWER MULCHING
4	19M7663	CAP SCREW	2		M8 X 70
5	19M7866	SCREW	2		M8 X 20
6	M121007	BOLT	2		
7	M120965	PANEL	1		MULCHING
8	BM18238	KIT	1		MULCH

85-29

MOWER DECK AND LIFT LINKAGE

TRICYCLER MULCH KIT (48"/1,22 M) (CONTINUED)

KEY	PART NO.	PART NAME	QTY.	SERIAL NO.	REMARKS
1	AM117501	INSERT	1		
2	03M7184	BOLT	5		M8 X 20
3	24M7207	WASHER	2		8.400 X 24 X 2 MM
4	14M7396	LOCK NUT	6		M8
5	M84309	NUT	2		7.925 MM
6	M115281	PLATE	1		ADJUSTABLE
7	03M7185	BOLT	3		M8 X 25
8	M113032	LABEL	1		
9	A48972	WING NUT	2		M8, LOCKING
10	M113517	MOWER BLADE	3		MULCHING
11	M64720	RIVET	6		
12	M118429	STRIP	1		RUBBER
13	M124788	DEFLECTOR	1		FRONT, (SUB FOR M117371)
14	AM122446	GUARD	2		FRONT-ASSEMBLED, (SUB FOR AM118449)
15	BM17870	KIT	1		LIP
16	M120570	STRAP	1		METAL
17	BM19918	KIT	1		TRICYCLER MULCHING, (SUB FOR BM17868)

85-39

MOWER DECK AND LIFT LINKAGE

MOWER DECK LABELS (CONTINUED)

KEY	PART NO.	PART NAME	QTY.	SERIAL NO.	REMARKS
1	M120157	LABEL	1		
2	M120160	LABEL	1		
3	M120161	LABEL	1		(NOT USED THIS APPL)
4	M113815	LABEL	1		GAGE WHEEL
5	M115243	LABEL	1		CUTTING HEIGHT CONTROL
6	M126599	LABEL	1		GAGE WHEEL ADJUSTMENT
7	M118610	LABEL	1		DANGER (ROTATING BLADE)
8	M89504	LABEL	2		DANGER (THROWN OBJECTS)
9	TCU51760	LABEL	1		48 COMMERCIAL
10	TCU51761	LABEL	1		54 COMMERCIAL (NOT USED THIS APPL)
11	TCU51758	LABEL	1		
12	AM115718	LABEL KIT	1		(NLA) (SUB COMPONENTS)

95-7

LX172, LX173, LX176, LX178, LX186 AND LX188 LAWN TRACTORS

NUMERICAL INDEX - CONTINUED

PART NO.	KEY	PAGE	PART NO.	KEY	PAGE	PART NO.	KEY	PAGE
M110873	9	85-33	M111491	8	85-17	M113081	11	85-8
M110875	22	85-33	M111491	20	85-23	M113090	10	60-7
M110927	2	85-33	M111491	2	85-34	M113128	2	40-14
M110937	1	85-33	M111522	38	85-21	M113128	2	40-15
M110938	23	85-33	M111583	14	80-5	M113384	19	80-7
M110943	13	60-3	M111694	10	80-7	M113384	19	80-9
M110961	20	60-3	M111694	3	80-16	M113431	2	80-29
M110962	12	85-31	M111694	3	80-17	M113431	2	80-30
M110963	12	85-31	M111694	3	80-18	M113431	2	80-31
M110975	6	85-31	M111694	3	80-19	M113433	4	22-19
M110978	10	52-25	M111694	3	80-20	M113517	10	85-29
M110989	7A	52-25	M111694	3	80-21	M113632	1	50-13
M110989	26	52-25	M111694	3	80-22	M113678	1	22-5
M110989	8	60-9	M111694	3	80-23	M113678	1	22-7
M110990	6	80-3	M111694	3	80-25	M113678	5	22-10
M110994	16	60-9	M111694	3	80-26	M113686	2	22-5
M111013	3	52-25	M111694	3	80-27	M113686	5	22-7
M111014	5	60-10	M111694	3	80-28	M113686	7	30-52
M111014	5	60-11	M111694	3	80-29	M113687	3	22-5
M111015	5	52-25	M111694	3	80-30	M113687	3	22-7
M111056	3	60-9	M111694	3	80-31	M113687	2	30-48
M111057	8	60-7	M111714	30	85-3	M113688	2	22-7
M111057	23	60-9	M111714	14	85-21	M113688	1	30-29
M111058	4	52-26	M111717	5	50-13	M113688	6	30-42
M111058	12	60-9	M111730	19	50-13	M113688	8	30-42
M111078	25	60-9	M111740	11	85-21	M113705	4	22-5
M111081	36	85-3	M111803	16	80-3	M113705	4	22-7
M111086	2	80-7	M111963	20	52-25	M113705	3	22-9
M111087	2	80-7	M111964	1	52-5	M113706	6	22-5
M111088	7	60-11	M111964	1	52-7	M113706	6	22-7
M111088	5	85-31	M111965	21	52-25	M113706	5	22-9
M111121	1	80-13	M112003	5A	40-22	M113707	31	22-15
M111122	3	50-11	M112003	5B	40-22	M113708	21	22-15
M111132	24	60-9	M112205	8	50-3	M113710	17	22-15
M111134	25	85-23	M112205	8	50-7	M113711	5	22-5
M111137	9	50-11	M112224	22	85-3	M113711	1	30-19
M111150	7	40-16	M112224	4	85-11	M113711	2	30-29
M111152	2	80-16	M112224	4	85-13	M113711	1	30-42
M111152	2	80-17	M112246	34	85-23	M113712	21	22-5
M111152	2	80-18	M112266	19	80-7	M113712	2	30-19
M111152	2	80-20	M112289	17	60-9	M113712	3	30-29
M111152	2	80-21	M112423	19	85-23	M113712	3	30-42
M111152	2	80-22	M112423	2	85-25	M113713	20	22-5
M111153	2	80-23	M112481	3	40-21	M113713	3	30-19
M111153	2	80-24	M112487	3	15-19	M113713	8	30-42
M111153	2	80-25	M112488	2	15-19	M113714	19	22-5
M111153	2	80-26	M112489	3	22-19	M113714	4	30-19
M111154	2	80-27	M112562	9	30-50	M113714	6	30-42
M111154	2	80-28	M112626	4	60-9	M113808	7	80-26
M111156	5	80-7	M112748	6	80-16	M113808	8	80-28
M111186	26	85-5	M112748	6	80-19	M113808	7	80-31
M111186	24	85-15	M112748	7	80-23	M113810	7	80-18
M111186	24	85-17	M112748	7	80-24	M113810	7	80-22
M111186	12	85-23	M112748	7	80-27	M113812	8	80-26
M111186	19	85-33	M112748	6	80-29	M113812	10	80-28
M111358	17	52-25	M112895	31	50-11	M113812	8	80-31
M111358	27	85-3	M112899	2	85-5	M113814	6	80-18
M111358	34	85-11	M112899	32	85-23	M113814	6	80-22
M111358	33	85-13	M112960	5	85-8	M113814	6	80-26
M111358	24	85-21	M112991	6	85-8	M113814	7	80-28
M111442	15	80-3	M113014	18A	85-33	M113814	6	80-31
M111442	4	80-7	M113014	18B	85-33	M113815	4	85-39
M111442	4	80-9	M113023	8	85-21	M113815	4	85-41
M111489	24	85-23	M113032	12	85-8	M113841	2	40-16
M111490	8	85-23	M113032	8	85-29	M113955	26	85-23
M111490	2	85-34	M113052	5	85-25	M114313	2	30-52
M111491	8	85-15	M113080	1	85-8	M114326	23	85-21

CLICK HERE TO **DOWNLOAD** THE COMPLETE MANUAL

- Thank you very much for reading the preview of the manual.
- You can download the complete manual from: www.heydownloads.com by clicking the link below



- Please note: If there is no response to CLICKING the link, please download this PDF first and then click on it.

CLICK HERE TO **DOWNLOAD** THE COMPLETE MANUAL