

# 9986 COTTON PICKER



**JOHN DEERE**

## PARTS CATALOG

9986 COTTON PICKER

PC2843 (MAR-06) English

**John Deere Des Moines Works**

North American Edition

Litho in U.S.A. (Revised)

COPYRIGHT © 2006

DEERE & COMPANY

Moline, Illinois

All rights reserved

CLICK HERE TO **DOWNLOAD** THE COMPLETE MANUAL

- Thank you very much for reading the preview of the manual.
- You can download the complete manual from: [www.heydownloads.com](http://www.heydownloads.com) by clicking the link below



- Please note: If there is no response to CLICKING the link, please download this PDF first and then click on it.

CLICK HERE TO **DOWNLOAD** THE COMPLETE MANUAL

## ALPHABETICAL INDEX - CONTINUED

	PAGE		PAGE
CYLINDER HEAD AND VALVES (6081HN003).....	20-12	DOOR EXTENSION, BASKET .....	160-26
CYLINDER HEAD GASKET KIT (6081HN003).....	20-4	DOOR HINGE, CONVEYOR.....	160-18
CYLINDER LINER/CONNECTING RODS/PISTON (6081HN003).....	20-10	DOOR LATCH, CAB.....	90-24
CYLINDER SEAL KIT, STEERING .....	60-11	DOOR OPEN-CLOSE HYDRAULIC LINES, BASKET .....	70-24
CYLINDER STOP, UNIT LIFT ARM .....	100-4	DOOR OPENING, BASKET, UPPER.....	160-10
CYLINDER, ACCUMULATOR HYDRAULIC LINES.....	70-24	DOOR SAFETY SWITCH AND FLAP.....	160-22
CYLINDER, BASKET DOOR OPEN-CLOSE AND ACCUM. HYDRAULIC .....	70-24	DOOR STRUCTURE, BASKET .....	160-16
CYLINDER, BASKET EXTENSION HYDRAULIC .....	70-22	DOOR WING ASSEMBLY, CONVEYOR.....	160-24
CYLINDER, BASKET RAISE HYDRAULIC .....	70-20	DOOR, CAB .....	90-20
CYLINDER, BRAKE PEDAL .....	60-16	DOOR, CAB AND GLASS .....	90-22
CYLINDER, BRAKE SLAVE .....	60-22	DOOR, COTTON NUMBER 6 OFFSET.....	150-1
CYLINDER, BRAKE, MASTER.....	60-14	DOOR, ROTARY SCREEN .....	20-46
CYLINDER, CENTERFRAME AND KNEE (REAR AXLE)(POWERED AXLE).....	85-10	DOOR, ROTARY SCREEN.....	20-52
CYLINDER, HYDRAULIC, 2-1/2" X 12" (EATON).....	70-29	DOORS, HYDRAULIC MODULE .....	80-42
CYLINDER, HYDRAULIC, 3-1/2" X 24" (BASKET RAISE-UNLOAD).....	70-28	DOORS, UNIT.....	110-30
CYLINDER, HYDRAULIC, 3-3/4" X 8" (UNIT LIFT).....	70-15	DOORS, UNIT, PRO-12 - 18S.....	110-28
CYLINDER, MASTER BRAKE.....	60-16	DRIVE BELTS AND PULLEYS ARRANGEMENT .....	20-62
CYLINDER, STEERING .....	60-10	DRIVE GEAR, OIL PUMP (6081HN003).....	20-11
CYLINDER, HYDRAULIC POWER AXLE.....	85-6	DRIVE GEARS, UPPER HOUSING DRUM.....	120-12
CYLINDERS, HYDRAULIC (DUCT SUPPORT) .....	150-16	DRIVE SHAFT, FINAL DRIVE.....	50-16
		DRIVE SHAFT, SPLINED .....	80-12
<b>D</b>		DRIVE SHAFT, UNIT .....	120-4
DAMPENER KEY (6081HN003).....	20-11	DRIVE WHEELS, SINGLE.....	80-17
DAMPENERS AND PULLEY, CRANKSHAFT (6081HN003).....	20-16	DRIVE, ENGINE FAN.....	20-56
DECALS.....	170-2	DRIVE, FINAL.....	50-12
DECALS.....	170-4	DRIVE, PUMP, HYDROSTATIC (SERIAL NO. 4001- ).....	50-19
DECALS.....	170-6	DRUM DRIVE GEARS, UPPER HOUSING.....	120-12
DECALS.....	170-14	DRUM HEAD AND CAM .....	120-14
DECALS - "IMPORTANT" .....	170-2	DRUM SLIP CLUTCH AND IDLER GEARS .....	120-10
DECALS, FUSES.....	170-6	DRUM SPEED SENSOR .....	120-12
DECALS, INSTRUCTIONS.....	170-4	DRUM SPED MONITOR FIRMWARE UPGRADE .....	120-12
DECALS, SAFETY.....	170-12	DRUM, BRAKE .....	60-20
DECALS, UNIT LOCATION .....	170-6	DRUM, PICKER BAR.....	120-20
DIFFERENTIAL (TRANSMISSION).....	50-8	DUAL WHEELS.....	80-16
DIODE, LOAD CENTER WIRING HARNESS .....	40-4	DUCT SUPPORT .....	150-16
DIODE, LOAD CENTER WIRING HARNESS .....	40-5	DUCT SUPPORT HYDRAULIC HOSES.....	70-17
DIPSTICK COVER (ENGINE SERIAL NO. 209311- ).....	20-36	DUCT, LADDER.....	150-14
DIPSTICK COVER GASKET (ENGINE SERIAL NO. 209311- ).....	20-36	DUCT, ROTARY SCREEN .....	20-50
DIPSTICK, ENGINE OIL (6081HN003).....	20-31	DUCTS, AIR.....	150-4
DISC, DOFFER.....	120-24	DUCTS, HEATER AND AIR CONDITIONING.....	90-64
DISPLACEMENT CONTROL, HYDROSTATIC PUMP .....	50-34	DUCTS, UNIT TO BASKET .....	150-10
DISTRIBUTOR ASSEMBLY, MOISTENER .....	140-14	DUCTS, UNIT TO BASKET (36"-38"-40").....	150-12
DOFFER .....	120-24		
DOFFER ADJUSTER AND STUB SHAFT .....	120-22	<b>E</b>	
DOFFER DRIVE IDLER GEAR .....	120-27	ECU.....	30-14
DOFFER GAUGES.....	120-26	ELBOW TRANSITION, JET POST .....	150-6
DOFFER IDLER GEARS.....	120-12	ELECTRICAL CONNECTOR SERVICE KIT .....	40-46
DOME LIGHT EXTENSION WIRING HARNESS .....	40-8	ELECTRICAL CONNECTOR SERVICE KIT .....	40-48
DOOR AND FLOOR CONVEYOR HYDRAULIC LINES .....	70-26	ELECTRICAL CONNECTOR, CONSOLE SWITCH .....	40-55
DOOR ASSEMBLY, COTTON.....	150-8	ELECTRICAL CONNECTOR, ELECTRONIC CONTROLLER, ENGINE SPEED SENSOR, HORN .....	40-53
DOOR CONTACT SWITCH WIRING HARNESS .....	40-9	ELECTRICAL CONNECTOR, KEY SWITCH, CONSOLE LIGHT, ETHER SWITCH, HORN.....	40-54
		ELECTRICAL CONNECTOR, MONITOR LIGHT MODULE AND TACHOMETER.....	40-56
		ELECTRICAL TERMINALS AND CONNECTORS, WEATHERPACK.....	40-50
		ELECTRICAL WIRING HARNESS, CAB.....	40-24
		ELECTRICAL WIRING SCHEMATIC .....	40-14
		ELECTRICALLY OPERATED STARTING AID .....	30-22
		ELECTRONIC CONTROL UNIT, (OPTIONAL ROWTRAK).....	40-2

## ALPHABETICAL INDEX - CONTINUED

	PAGE		PAGE
SUPPORT, AIR CONDITIONER COMPRESSOR (6081HN003)	90-65	TERMINAL, KEY SWITCH, CONSOLE LIGHT, ETHER SWITCH & WARNING HORN CONNECTORS	40-54
SUPPORT, ALTERNATOR (6081HN003)	40-36	TERMINAL, MONITOR LIGHT MODULE AND TACHOMETER CONNECTORS	40-56
SUPPORT, COOLING FRAME	20-48	TERMINALS AND CONNECTORS	40-52
SUPPORT, DUCT	150-16	TETHER SWITCH AND HARNESS (NO. 3 OR 4 UNIT)	40-20
SUPPORT, MOISTENER COLUMN	140-14	THERMOSTAT AND WATER MANIFOLD (6081HN003)	20-42
SUPPORT, REAR AXLE PIVOT (FRONT)	80-4	THRUST BEARINGS, MAIN (6081HN003)	20-14
SUPPORT, REAR AXLE PIVOT (REAR)	80-2	TIE RODS, REAR AXLE	80-8
SUPPORT, TRANSMISSION	50-2	TIMING GEAR COVER AND FRONT OIL SEAL (6081HN003)	20-19
SUPPORT, WATER PUMP	140-4	TOPE WHEEL, FAN	150-2
SUSPENSION, SEAT	90-48	TOP LINK STABILIZER	100-1
SWASHPLATE, HYDROSTATIC PUMP	50-32	TORQ-GARD ENGINE OIL (6081HN003)	20-38
SWITCH AND HARNESS, TETHER (NO. 3 OR 4 UNIT)	40-20	TRANSFER PUMP, FUEL (ROBERT BOSCH) (6081HN003)	30-17
SWITCH CONNECTOR, CONSOLE	40-55	TRANSFER PUMP, LUBRICATION	130-10
SWITCH WIRING HARNESS, DOOR CONTACT	40-9	TRANSITION DUCTS	150-10
SWITCH, AIR CONDITIONER	90-62	TRANSITION DUCTS (36"-38"-40")	150-12
SWITCH, ARMREST ROCKER	90-36	TRANSMISSION AND MOTOR	50-2
SWITCH, ARMREST ROCKER	90-38	TRANSMISSION CASE	50-10
SWITCH, COMPACTOR FOOT CONTROL	40-10	TRANSMISSION DIFFERENTIAL	50-8
SWITCH, DOOR LIGHT	40-24	TRANSMISSION GEARSHIFT	90-40
SWITCH, DOOR SAFETY	160-22	TRANSMISSION INPUT SHAFT	50-4
SWITCH, ENGINE OIL PRESSURE (6081HN003)	20-45	TRANSMISSION INTERMEDIATE SHAFT	50-6
SWITCH, FLUSH SYSTEM FOOT CONTROL	40-10	TRASH CONTAINER	90-30
SWITCH, INTERIOR CAB ROOF	90-26	TRASH SHIELD, ROTARY SCREEN	20-52
SWITCH, LUBRICATION PRESSURE	130-7	TRAY, BATTERY SUPPORT	80-38
SWITCH, OVERHEAD CONSOLE	90-42	TRIM PANELS, CAB INTERIOR	90-18
SWITCH, PARKING BRAKE PEDAL	60-18	TUBE ASSEMBLIES, HYDROSTATIC	50-20
SWITCH, POWER AXLE	85-20	TUBE, DOOR OPENING, UPPER	160-10
SWITCH, PRESSURE, ROW-TRAK STEERING VALVE (S/N -14000)	60-24	TUBE, ENGINE OIL DIPSTICK (6081HN003)	20-31
SWITCH, STARTING MOTOR (6081HN003)	40-38	TUBE, UNIT LUBRICATION	130-8
SWITCH, STEERING COLUMN	60-2	TUBES, AIR	150-4
SWITCH, TRANSMISSION SAFETY	50-10	TUBES, BASKET SUPPORT	160-2
SYSTEM, HYDRAULIC POWER AXLE	85-6	TUBES, CHARGE AIR COOLER	30-1
SYSTEM, ROW-TRAK HYDRAULIC POWER AXLE	85-8	TUBES, ENGINE AIR INTAKE	30-2
		TUBES, ENGINE OIL COOLER	20-30
<b>T</b>		TUBES, OIL COOLER (6081HN003)	20-29
T-BLOCK, POWER AXLE	85-20	TUBES, OIL COOLER BYPASS	20-28
TACHOMETER	40-28	TUNNEL BOTTOM PANELS, CENTER (S/N -14000)	80-28
TACHOMETER CONNECTOR	40-56	TUNNEL BOTTOM PANELS, CENTER (S/N 14001- )	80-30
TANK GUARD (S/N -14000)	80-36	TUNNEL BOTTOM PANELS, FRONT	80-26
TANK GUARD (S/N 14001- )	80-37	TUNNEL BOTTOM PANELS, REAR (S/N -14000)	80-32
TANK, COOLANT RECOVERY	20-61	TUNNEL BOTTOM PANELS, REAR (S/N 14001- )	80-34
TANK, FUEL	30-10	TURBOCHARGER AND OIL LINES	30-4
TANK, LUBRICATION	130-2	TURN SIGNAL SWITCH	60-2
TEMPERATURE GAUGE, ENGINE	40-28	TURNBUCKLE, TOP LINK STABILIZER	100-1
TEMPERATURE SENDER, COOLANT (6081HN003)	20-22		
TEMPERATURE SENSOR, INTAKE MANIFOLD	30-7	<b>U</b>	
TENSIONER, ALTERNATOR BELT (6081HN003)	40-36	UNIT BOTTOM FRAME (PRO-12 UNIT)	110-12
TERMINAL AND WIRING KIT	40-44	UNIT BOTTOM FRAME (PRO-16 UNIT)	110-14
TERMINAL, CONSOLE SWITCH CONNECTOR	40-55	UNIT CABINET PLUGS AND GROMMETS	110-38
TERMINAL, ELECTRICAL, WEATHERPACK	40-50		
TERMINAL, ELECTRONIC CONTROLLER, ENGINE SPEED SENSOR AND HORN CONNECTORS	40-53		

# 20-7

ENGINE (6081HN003)

## ENGINE OVERHAUL KIT - CONTINUED

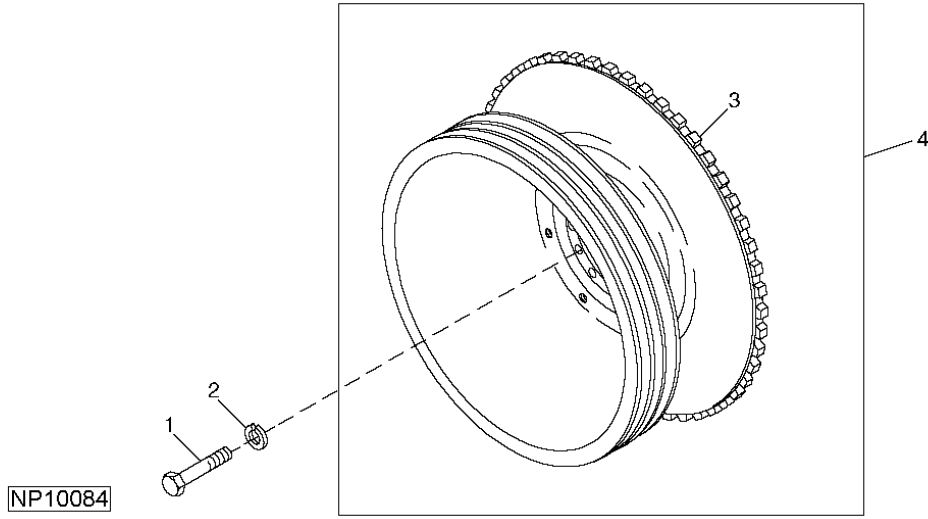
<i>KEY</i>	<i>PART NO.</i>	<i>PART NAME</i>	<i>QTY.</i>	<i>ENGINE SERIAL NO.</i>	<i>REMARKS</i>
1	RE526963	ENGINE OVERHAUL KIT	1		(CONTAINS (6) RE62791 PISTON/LINERS, (1) RE506220 GASKET KIT, STD BEARINGS, FRONT/REAR SEALS, AND SNAP RINGS) (ALSO ORDER R501035 ROD BOLTS) (PISTONS MARKED RE70689) (SUB FOR RE504202)

# 20-17

ENGINE (6081HN003)

## FLYWHEEL

NP10084 -UN-14DEC98



NP10084

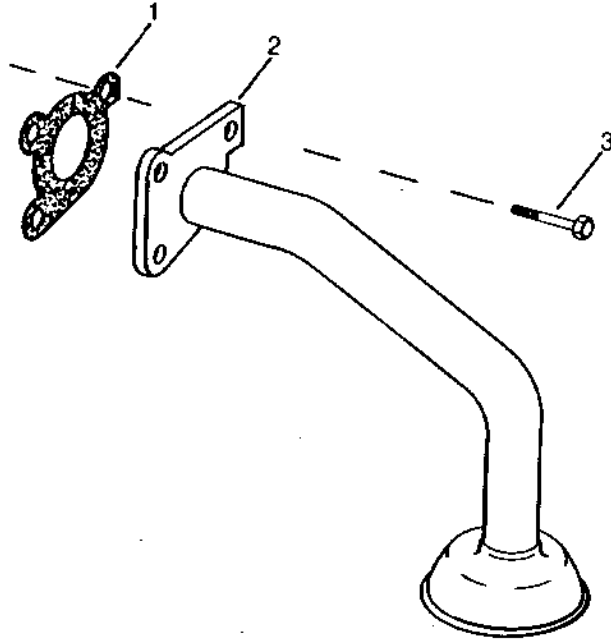
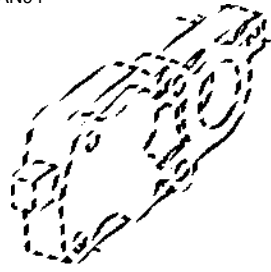
KEY	PART NO.	PART NAME	QTY.	ENGINE SERIAL NO.	REMARKS
1	19H3238	CAP SCREW	6		1/2" X 2-1/8"
2	T23891	WASHER	6		
3	R28811	RING GEAR	1		(129 TEETH)
4	AN275929	FLYWHEEL	1		

# 20-27

ENGINE (6081HN003)

## ENGINE OIL PUMP INTAKE (ENGINE SERIAL NO. -209310)

RGP3629 -UN-01JAN94



RGP3629

KEY	PART NO.	PART NAME	QTY.	ENGINE SERIAL NO.	REMARKS
1	R100569	GASKET	1		(INCLUDED IN SE500877)
2	RE523810	OIL PUMP INTAKE	1		(SUB FOR RE62144)
3	R104628	SCREW	3	-XXXXXX	(INCLUDED IN SE500877) (USE WITH SE500877)
	19M9399	CAP SCREW	3	XXXXXX-	(USE WITH RE519513)

# 20-37

ENGINE (6081HN003)

OIL PAN (ENGINE SERIAL NO. 209311- )

KEY	PART NO.	PART NAME	QTY.	ENGINE SERIAL NO.	REMARKS
1	R521228	GASKET	1		(SUB FOR RE504822)
2	R100569	GASKET	1		
3	R104628	SCREW	3	-XXXXXX	
4	19M9399	CAP SCREW	3	XXXXXX-	
4	RE520585	OIL PUMP INTAKE	1		(SUB FOR RE60546)
5	RE506166	OIL PAN	1		(MARKED R500354, R500355 OR RE506165) (INCLUDES PARTS MARKED A)
6	24M7239	WASHER	22		10.700 X 21 X 2.500 MM
7	19H3485	CAP SCREW	4		3/8" X 2"
8	R135895	WASHER	2		
9	19H2473	CAP SCREW	2		1/2" X 1-3/4"
10	19H2633	CAP SCREW	18		3/8" X 1-1/2"
11	R47151	O-RING	1		0.755" X 0.097"
12	R27474	DRAIN PLUG	1		(A) (NOT AS SHOWN)
13	.....	DRAIN VALVE	NA		
14	R47151	O-RING	2		
15	R27475	FITTING	1		(A)
16	RE63439	GASKET	1		(A)
17	R519285	COVER	1		(A) (SUB FOR R127873)
18	19H1731	CAP SCREW	3		(A)
19	15H690	PIPE PLUG	1		(A)

# 20-47

ENGINE (6081HN003)

## ROTARY SCREEN DOOR - CONTINUED

KEY	PART NO.	PART NAME	QTY.	SERIAL NO.	REMARKS
1	AN277353	FRAME	1		(INCLUDES DECALS)
2	19M7660	SCREW	AR		M8 X 20
3	E63525	NUT	AR		
4	N276827	SUPPORT	1		LH
5	N276825	ANGLE	1		
6	N276826	SUPPORT	1		RH
7	N276828	ANGLE	1		
8	19M7905	CAP SCREW	1		M12 X 200
9	AN275949	FRAME	1		
	N279472	HINGE	1		
10	24H1136	WASHER	2		11/32" X 11/16" X 0.065"
11	N276860	ANGLE	1		RH
12	19M8367	SCREW	8		M8 X 25
13	AN274115	SUPPORT	1		
14	N276822	ANGLE	1		
15	N276861	ANGLE	1		LH
16	N276830	ANGLE	1		RH
17	N276831	ANGLE	1		LH
18	AN275942	DOOR	1		
19	21M7252	SCREW	4		M4 X 16
20	AN274674	LATCH	2		
21	AH128596	GAS OPERATED CYLINDER	2		
22	12H315	LOCK WASHER	4		0.164"
23	14M7100	NUT	4		M4
24	14M7401	LOCK NUT	1		M12
25	N276820	ANGLE	1		
26	H128502	SEAL	1		LOWER RADIATOR TUBE
27	H146260	CHANNEL	1		
28	N277235	CHANNEL	1		SHIELD
29	H146765	BARRIER	1		
30	N370082	STRAP	2		
31	N370083	STRAP	2		
32	N279998	ANGLE	1		
33	H86775	ISOLATOR	3		
34	N370375	GROMMET	8		
35	N370374	GROMMET	4		
36	E63526	NUT	3		
37	N370371	ANGLE	1		
38	21M7022	SCREW	8		M5 X 20
39	24H1283	WASHER	8		5.563 X 12.700 X 1.245 MM
40	14M7297	NUT	8		M5
41	AH140967	ISOLATOR	1		COOLING PACKAGE SEAL ASSEMBLY
42	19M7881	SCREW	2		M8 X 20
43	19M7785	SCREW	3		M10 X 25
44	N275830	SCREW	2		
45	H79784	BUSHING	2		

# 20-57

ENGINE (6081HN003)

## ENGINE FAN DRIVE - CONTINUED

KEY	PART NO.	PART NAME	QTY.	SERIAL NO.	REMARKS
1	03M7190	BOLT	3		M10 X 20
2	N371391	PLATE	1		
3	AE46699	PRESSED FLANGED HOUSING	1		
4	AN275174	BALL BEARING	1		
5	E76584	PRESSED FLANGED HOUSING	1		
6	E63526	NUT	3		
7	A50744	BOLT	3		
8	14M7273	NUT	3		M8
9	N371271	PULLEY	1		
10	49M4821	SHAFT KEY	1		
11	19M8162	SCREW	3		M10 X 40
12	AN274861	SHAFT	1		
13	14M7296	FLANGE NUT	3		M10
14	N371322	BELT	1		
15	19H3031	CAP SCREW	3		3/8" X 2-1/2"
16	A31867	LOCK NUT	1		
17	24H1311	WASHER	3		13/32" X 1-1/4" X 0.220"
18	AH154697	ISOLATOR	1		
19	AH151129	DRIVE DISK	1		
20	AH163157	COUPLING	1		
21	24H1346	WASHER	1		17/32" X 1-3/4" X 0.120"
22	N371702	SHIM	1		
23	24H1305	WASHER	3		

# 30-5

FUEL AND AIR (6081HN003)

## TURBOCHARGER AND OIL LINES - CONTINUED

KEY	PART NO.	PART NAME	QTY.	ENGINE SERIAL NO.	REMARKS
1	SE500410	TURBOCHARGER	1		(SCHWITZER) (REMANUFACTURED) (MARKED RE502032) (SUB FOR RE501617)
2	RE43019	HOSE	1		(INLET)
3	R54500	SCREW	4		3/8" X 1"
4	24H1305	WASHER	4		
5	R92097	GASKET	1		
6	R105346	GASKET	1		
7	R122618	SCREW	2		3/8" X 3/4"
8	RE60653	OIL LINE	1		(OUTLET)
9	R120187	ELBOW FITTING	1		
10	R120138	SLEEVE	1		
11	24H753	WASHER	1		9/32" X 5/8" X 0.049"
12	T13814	CLAMP	1		
13	14H786	NUT	1		1/4"
14	19H1948	CAP SCREW	1		6.350 X 19.050 MM

# 30-15

FUEL AND AIR (6081HN003)

## FUEL INJECTION PUMP AND LINES - CONTINUED

KEY	PART NO.	PART NAME	QTY.	ENGINE SERIAL NO.	REMARKS
1	R51936	SEALING WASHER	2		
2	RE504748	FUEL LINE	1		
3	R121195	CAP SCREW	4		
4	R121164	GEAR	1		(30 TEETH)
5	RE502650	FITTING	1		
6	24M7239	WASHER	4		10.700 X 21 X 2.500 MM
7	14H1090	NUT	4		3/8"
8	RE10258	ELBOW FITTING	1		
	RE34128	ELBOW FITTING	1		
9	AR88903	ELBOW FITTING	1		
10	R79060	O-RING	1		
11	R505169	PACKING	2		
12	RE509065	OIL LINE	1		
13	T18012	ELBOW FITTING	1		
14	R504032	SHIELD	1		
15	R504033	CONDUIT	1		
16	R44302	TIE BAND	AR		
17	RE507692	FUEL INJECTION PUMP	1		(ROBERT BOSCH)
	SE501193	FUEL INJECTION PUMP	1		(REMANUFACTURED)
18	RE506251	TEE FITTING	1		
19	51M4238	SEALING RING	1		
20	RE506424	FUEL TEMPERATURE SENSOR	1		
21	R72853	CLAMP	1		
22	RE509559	ENGINE CONTROLLER	1		(MARKED RE502404)
	RE502404	ENGINE CONTROLLER	1	160711-	(ORDER W/ ESN)

NOTE: SEE YOUR AUTHORIZED PUMP REPAIR STATION FOR PARTS NOT LISTED.

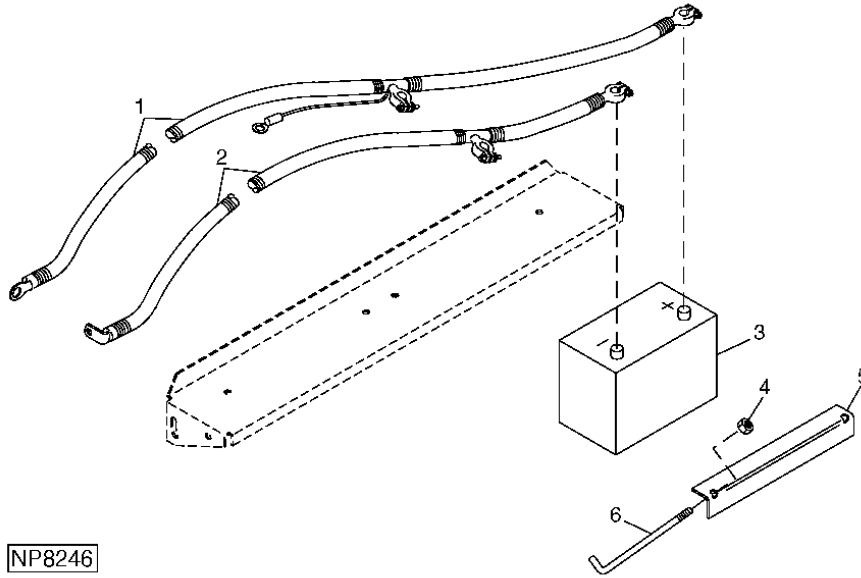
# 40-1

ELECTRICAL

NP8246

-UN-25JUN97

## BATTERIES AND BATTERY CABLES



NP8246

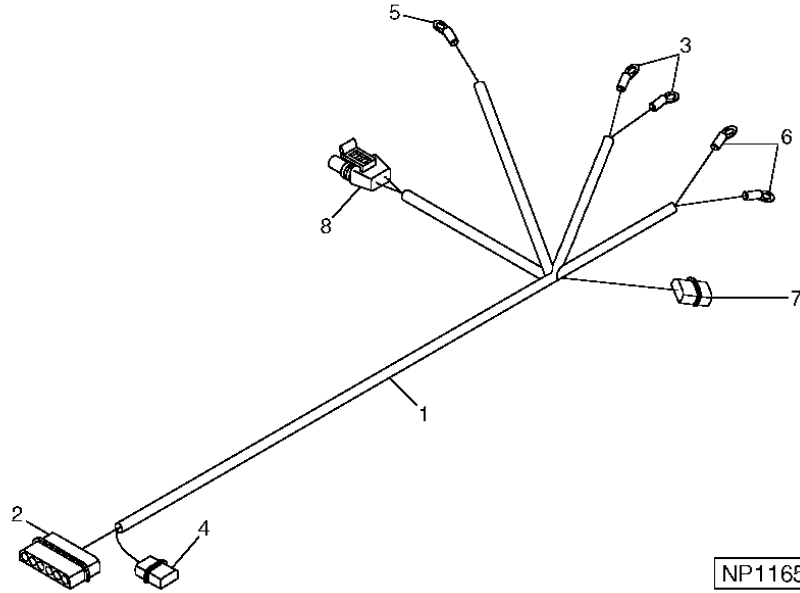
KEY	PART NO.	PART NAME	QTY.	SERIAL NO.	REMARKS
1	AN273026	BATTERY CABLE	1		POSITIVE TERMINALS
2	AN273027	BATTERY CABLE	1		NEGATIVE TERMINALS
3	TY25879	DRY CHARGED BATTERY	2		12V BCI30 925CCA 180RC, (SUB FOR TY6128, THIS APPLICATION)
4	T16464	LOCK NUT	4		
5	N190171	CLAMP	2		
6	N278696	BOLT	4		

# 40-11

ELECTRICAL

## HYDRO PUMPS AND RESERVOIR WIRING HARNESS

NP11651 -UN-08MAY01



NP11651

KEY	PART NO.	PART NAME	QTY.	SERIAL NO.	REMARKS
1	AN275939	WIRING HARNESS	1		
2	.....	CONNECTOR	1		TO CHASSIS HARNESS
3	.....	GROUND CABLE	2		UNIT HYDRO DESTROCKER VALVE
4	.....	CONNECTOR	1		TO CHASSIS HARNESS
5	.....	GROUND CABLE	1		HYDRAULIC RESERVOIR TEMP SWITCH
6	.....	GROUND CABLE	2		DRIVE HYDRO DESTROCKER VALVE
7	.....	CONNECTOR	1		DRIVE HYDRO NEUTRAL SWITCH HARNESS
8	.....	CONNECTOR	1		GREASE SOLENOID

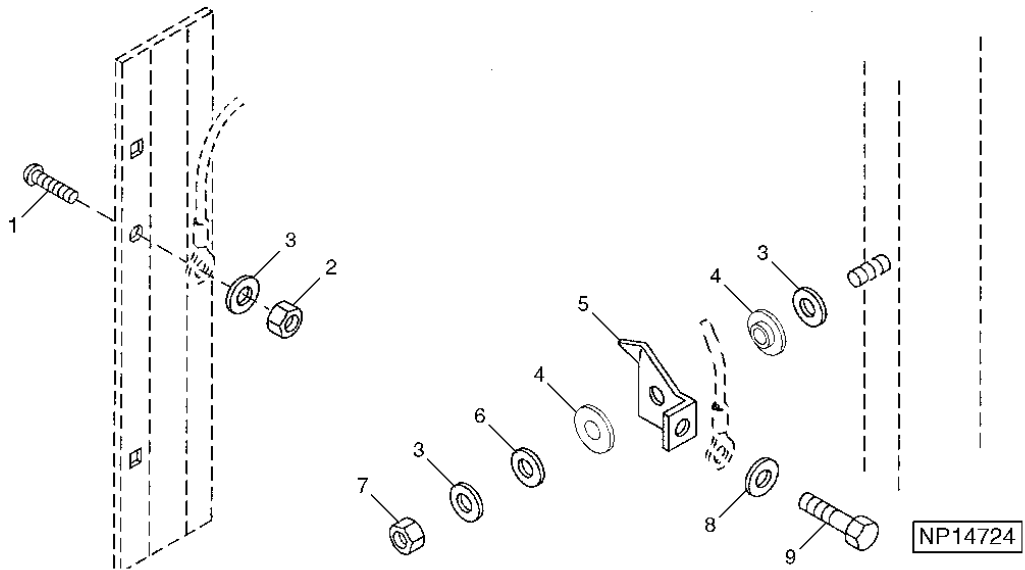
# 40-21

ELECTRICAL

## FLAP MONITOR

NP14724

-UN-01APR05



KEY	PART NO.	PART NAME	QTY.	SERIAL NO.	REMARKS
1	03M7183	BOLT	1		M8 X 16
2	E63525	NUT	1		
3	24H1292	WASHER	3		11/32" X 3/4" X 0.120"
4	L63735	WASHER	2		(SUB FOR M91200) (SUB N377510)
	N377510	WASHER	2		
5	N273085	CONTACT	1		
6	24H1625	WASHER	1		17/32" X 1" X 0.120"
7	E64256	LOCK NUT	1		
8	24H1287	WASHER	1		9/32" X 5/8" X 0.065"
9	37M7089	SCREW	1		M6 X 12

# 40-31

ELECTRICAL

## ALTERNATOR - CONTINUED

KEY	PART NO.	PART NAME	QTY.	ENGINE SERIAL NO.	REMARKS
1	R129083	V-BELT	1		(AC/ALTERNATOR DRIVE)
2	14M7158	NUT	1		M16
3	T10745	WASHER	1		
4	R94351	BUSHING	1		
5	R94350	PULLEY	1		
6	19M7868	SCREW	1		M8 X 30
7	24H1292	WASHER	1		11/32" X 3/4" X 0.120"
8	AT207952	COVER	1		(USE WITH AT185951)
	AH138291	SCREEN	1		(USE WITH AH165975)
9	AN272538	WIRING LEAD	1		(STARTER TO ALTERNATOR)
10	14M7298	FLANGE NUT	1		M8
11	14M7360	LOCK NUT	1		M5
12	AN220289	WIRING HARNESS	1		
13	14M7375	FLANGE NUT	4		M5
14	AT185951	ALTERNATOR	1		(SUB AH165975) (120 AMP)(12 VOLT)(BOSCH)
	AH165975	ALTERNATOR	1		(120 AMP)(12 VOLT)(BOSCH)
15	T158584	FAN	1		

# 40-41

ELECTRICAL

## RADIO, SPEAKER, AND ANTENNA - CONTINUED

KEY	PART NO.	PART NAME	QTY.	SERIAL NO.	REMARKS
1	.....	WIRING LEAD	1		(A)
2	37M7089	SCREW	1		(A) M6 X 12
3	14M7152	NUT	1		(A) M10
4	24M7096	WASHER	1		(A) 10.500 X 18 X 1.600 MM
5	.....	SPRING	1		(A)
6	.....	FLANGE	1		(A)
7	.....	BASE	1		(A)
8	.....	SPACER	1		(A)
9	14M7309	NUT	1		(A) M24
10	AH141012	KIT	1		ANTENNA INCLUDES PARTS MARKED (A)
11A	AR104516	ANTENNA	1	-16000	
11B	AH213697	ANTENNA	1	16001-	(SUB FOR AH206388)
12	AH138098	SPEAKER	2		
13	37M7215	SCREW	8		
14	AH166980	WIRING HARNESS	1		
15	H114038	SCREW	1		
16	RE190140	RADIO	1		AM/FM/CASS/WB STEREO
	RE190141	RADIO	1		AM/FM/CD/WB STEREO
17	H171011	BRACKET	1		
18	14M7375	FLANGE NUT	1		M5
19	H201241	PANEL	2		
20	H117239	PUSH NUT	1		
21	37M7089	SCREW	1		M6 X 12

# 40-51

ELECTRICAL

## WEATHERPACK TERMINALS AND CONNECTORS - CONTINUED

KEY	PART NO.	PART NAME	QTY.	SERIAL NO.	REMARKS
1	R78063	ELEC. CONNECTOR SEAL	AR		(A) (C)
	R78059	ELEC. CONNECTOR SEAL	AR		(A) (D) (E)
	R78062	ELEC. CONNECTOR ACCESSORY	AR		(A) (B)
2	R78057	ELEC. CONNECTOR TERMINAL	AR		(A) (D) (E)
	R78060	ELEC. CONNECTOR TERMINAL	AR		(A) (B) (C)
3	R78047	SEAL	AR		
4	RE12362	ELECTRICAL CONNECTOR ASSY	AR		(A)
5	R78052	ELECTRICAL CONNECTOR ASSY	AR		(A)
6	R78061	ELEC. CONNECTOR TERMINAL	AR		(A) (B) (C)
7	R78063	ELEC. CONNECTOR SEAL	AR		(A) (C)
8	RE12334	ELECTRICAL CONNECTOR ASSY	AR		
9	R78060	ELEC. CONNECTOR TERMINAL	AR		(A) (B) (C)
10	R78048	ELEC. CONNECTOR ACCESSORY	AR		
11	RE12363	ELECTRICAL CONNECTOR ASSY	AR		(A)
12	R78064	ELEC. CONNECTOR CAVITY PLUG	AR		(A)
13	R78053	ELECTRICAL CONNECTOR ASSY	AR		(A)
14	RE12330	ELECTRICAL CONNECTOR ASSY	AR		
15	R78049	SEAL	AR		
16	RE12364	ELECTRICAL CONNECTOR ASSY	AR		(A)
17	R78054	ELECTRICAL CONNECTOR ASSY	AR		(A)
18	RE12332	ELECTRICAL CONNECTOR ASSY	AR		
19	R78050	SEAL	AR		
20	RE12365	ELECTRICAL CONNECTOR ASSY	AR		(A)
21	RE12333	ELECTRICAL CONNECTOR ASSY	AR		
22	R78055	ELECTRICAL CONNECTOR ASSY	AR		(A)
23	R78061	ELEC. CONNECTOR TERMINAL	AR		(A) (B) (C)
	R78058	ELEC. CONNECTOR TERMINAL	AR		(A) (D) (E)
24	R78051	SEAL	AR		
25	RE12366	ELECTRICAL CONNECTOR ASSY	AR		(A)
26	R78056	ELECTRICAL CONNECTOR ASSY	AR		(A)
..	PM797NA	KIT	1		ELECTRICAL CONNECTORS (INCLUDES PARTS MARKED (A))

- (B) 14 GA. WIRE
- (C) 16 GA. WIRE
- (D) 18 GA. WIRE
- (E) 20 GA. WIRE

REFER TO ELECTRICAL CONNECTORS AND TERMINALS REFERENCE GUIDE P17148 FOR QUANTITIES

# 40-61

ELECTRICAL

## CONVENIENCE OUTLET - CONTINUED

KEY	PART NO.	PART NAME	QTY.	SERIAL NO.	REMARKS
1	RE68495	STRIP	1		
2	AH201496	WIRING HARNESS	1		(SUB FOR AH201495)
3	.....	WIRING HARNESS	1		
4	AH153133	WIRING HARNESS	1		ADAPTER POWER STRIP
5	RE67013	ELECTRICAL CONNECTOR ASSY	1		AUXILIARY POWER
6	RE67015	ADAPTER FITTING	1		
7	H159806	INSERT	1		
8	RE67014	ADAPTER FITTING	1		CIGARETTE LIGHTER
9	21M7296	SCREW	2		M6 X 20

# 50-9

POWER TRAIN

## DIFFERENTIAL (TRANSMISSION) - CONTINUED

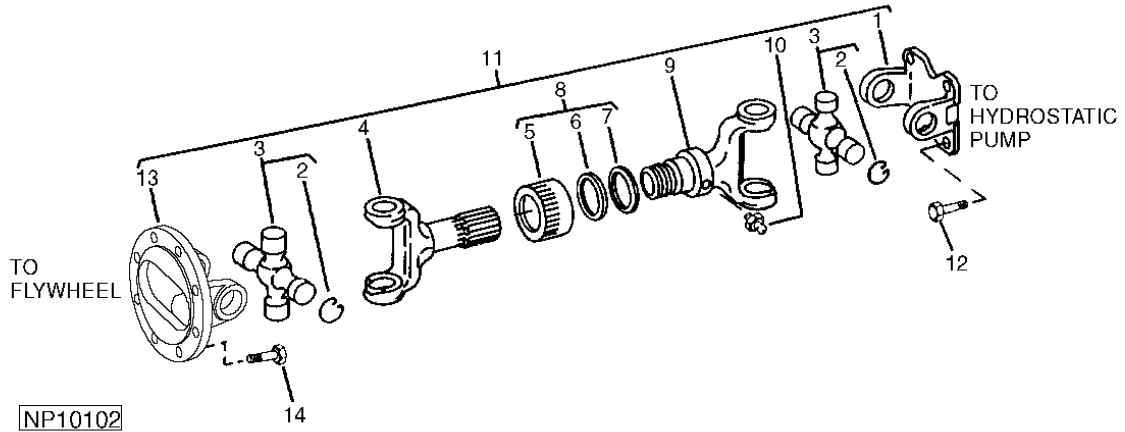
KEY	PART NO.	PART NAME	QTY.	SERIAL NO.	REMARKS
1	H132554	GEAR	1		62 TOOTH
2	19M7790	CAP SCREW	14		M12 X 35
3	N197422	HOUSING	1		
4	H133202	THRUST WASHER	2		
5	R70112	THRUST WASHER	2		
6	R70115	NEEDLE ROLLER	52		
7	Z12964	PINION	2		
8	R70113	THRUST WASHER	2		
9	R70114	SNAP RING	2		
10	H146646	PIN	1		
11	34M7073	SPRING PIN	1		10 X 65 MM
12	H92308	GEAR	2		
13	H164794	WASHER	2		
14	AT40603	SEAL	2		
15	JD7425	BEARING CUP	2		
16	JD8147	BEARING CONE	2		
17	H126572	SHIM	AR		0.076 MM (.003")
	H126573	SHIM	AR		0.127 MM (.005")
	H126575	SHIM	AR		0.508 MM (.020")
18	R27796	O-RING	2		
19	H130407	CRADLE	2		
20	19M7844	SCREW	12		M16 X 45
21	AH116104	SENSOR	1		
22	R27448	NUT	1		
23	H165508	SHAFT	2		
24	C3936E	SNAP RING	4		
25	JD7502	CYLINDRICAL ROLLER BEARING	2		
26	R135543	WASHER	AR		

# 50-19

POWER TRAIN

## HYDROSTATIC PUMP DRIVE (SERIAL NO. 4001- )

NP10102 -UN-22DEC98



KEY	PART NO.	PART NAME	QTY.	SERIAL OR PROD. ID. NO.	REMARKS
1	N370151	UNIVERSAL JOINT YOKE	1		HYDRO END
2	T29634	SNAP RING	8		
3	AT207330	UNIVERSAL JOINT	2		
4	.....	YOKE WITH SHAFT	1		(SUB AN275411)
5	.....	CAP (HAT)	1		(SUB AN275722)
6	.....	WASHER	1		(SUB AN275722)
7	.....	WASHER	1		(SUB AN275722)
8	AN275722	CAP (HAT)	1		DUST
9	.....	YOKE	1		(SUB AN275411) SLEEVED
10	JD7797	LUBRICATION FITTING	1		
11	AN275411	UNIVERSAL DRIVESHAFT	1		
12	N275960	SCREW	4		
13	N370153	UNIVERSAL JOINT YOKE	1		FLYWHEEL END
14	N275214	SCREW	8		

# 50-29

POWER TRAIN

## HYDROSTATIC PUMP SHAFT AND SERVO ASSEMBLY - CONTINUED

KEY	PART NO.	PART NAME	QTY.	SERIAL NO.	REMARKS
1	T155727	SCREW	6		(A) (B)
2	T155996	O-RING	2		(A)
	.....	O-RING	2		(B)
3	T155997	O-RING	2		(A)
	.....	O-RING	2		(B)
4	AT132220	SCREW	2		(A)
	AN278427	SCREW	2		(B)
5	T155994	SNAP RING	1		(A) RETAINING
	T155934	SNAP RING	1		(B) RETAINING
6	.....	RING	1		(B)
7	R164596	CYLINDRICAL ROLLER BEARING	1		(A)
	AT173283	CYLINDRICAL ROLLER BEARING	1		(B)
8	.....	SHAFT	1		(B)
9	.....	PISTON RING	2		(A)
	T155689	PISTON RING	2		(B)
10	N196034	O-RING	2		(A)
	T155702	O-RING	2		(B)
11	AN274770	PISTON REPLACEMENT KIT	1		(A) SERVO
	AT173292	KIT	1		(B) SERVO PISTON ASSEMBLY
12	T64769	DRAIN PLUG	1		(A)
	.....	DRAIN PLUG	1		(B)
13	T155640	NUT	5		(A)
	T155723	NUT	2		(B)
14	T155641	SCREW	6		(A)
	T162861	SCREW	6		(B)
15	.....	COVER	1		(A) (B)
16	RE164594	INSERT	1		(A) SIDE COVER
	.....	INSERT	1		(B) SIDE COVER
17	T157504	O-RING	1		(A)
	T155970	O-RING	1		(B)
18	T155638	SHIM	2		(A)
	T155721	SHIM	2		(B)
19	T163767	SPRING	2		(A)
	T162857	SPRING	2		(B)
20	T163768	SPRING	2		(A)
	T162862	SPRING	2		(B)
21	.....	RETAINER	2		(A) SPRING SEAT
	T162863	RETAINER	2		(B) SPRING SEAT
22	.....	SWASH PLATE	1		(A) (B) LEVELER ASSEMBLY
23	.....	POST	2		(A) (B) GUIDE
24	N279809	SHAFT KEY	1		(B)
25	T119077	NUT	1		(B)
26	.....	COTTER PIN	1		(B)
27	AT214834	SLEEVE	2		(A) SERVO CYLINDER
28	N278656	SHAFT	1		(A) (14 TOOTH)
29	AN276095	SLEEVE	2		(B)
30	.....	SNAP RING	1		
31	.....	PIN FASTENER	1		
32	AN274375	PIN FASTENER	1		
33	N126600	LINK	1		
34	.....	PISTON	1		
35	AN194116	PISTON	1		
36	H117461	RING	1		
..	AN274964	HYD. QUICK-CONNECT COUPLER	2		DIAGNOSTIC RECEPTACLE
..	AN275823	PUMP	1		100 CC HYDRO (UNIT DRIVE) COMPLETE INCLUDES PARTS MARKED (A)
..	AN275824	PUMP	1		130 CC HYDRO (GROUND DRIVE) COMPLETE INCLUDES PARTS MARKED (B)

# 50-39

POWER TRAIN

## 75 CC HYDRAULIC MOTOR - CONTINUED (SAUER-SUNDSTRAND) (UNIT DRIVE)

KEY	PART NO.	PART NAME	QTY.	SERIAL NO.	REMARKS
1	19M8627	SCREW	3		M6 X 20
2	.....	SUPPORT	1		(A) SEAL CARRIER
3	R150997	SEAL	1		
4	26H101	SHAFT KEY	1		3/8" X 1-1/2"
5	U43352	O-RING	1		
6	T15509	SNAP RING	1		
7	R150995	CYLINDRICAL ROLLER BEARING	1		
8	N278528	SHAFT	1		TAPERED
9	T54967	FITTING PLUG	1		
10	T64769	DRAIN PLUG	2		
11	R726R	DOWEL PIN	2		
12	.....	HOUSING	1		(A) FIXED
13	R150983	PLATE	1		(A) THRUST
14	AN220419	PISTON	9		WELDED
15	N220940	GUIDE	1		SLIPPER
16	R150979	RETAINER	1		SLIPPER GUIDE
17	R150980	SOLID SHIM	1		SLIPPER GUIDE RETAINER
18	.....	PLATE	1		SPRING SEAT
19	.....	SPRING	1		
20	.....	RETAINER	1		SPRING
21	.....	RING	1		RETAINER
22	AN220414	CYLINDER	1		
23	.....	KIT	1		(A) ROTATING GROUP
24	R150981	BUSHING	1		HOLD DOWN
25	R150982	PLATE	1		VALVE
26	R150984	GASKET	1		END CAP
27	AN277351	KIT	1		RELIEF VALVE CARTRIDGE
28	.....	O-RING	1		(A)
29	N372890	NUT	1		
30	11H238	COTTER PIN	1		1/8" X 3"
31	AN277346	HYDRAULIC MOTOR	1		ASSEMBLY (REMANUFACTURED)
32	R150986	BEARING	1		(A) JOURNAL
33	R150992	PLUG	2		
34	R26448	O-RING	2		
35	T162071	SPRING	2		(A)
36	AT196462	PLATE	2		GUIDE, (SUB FOR T155740)
37	R150990	SPOOL	1		SHUTTLE
38	T54967	FITTING PLUG	1		
39	19M7493	CAP SCREW	2		M12 X 40
40	.....	PLUG	1		(A)
41	19M7329	CAP SCREW	1		M10 X 75
42	19M8088	CAP SCREW	4		M12 X 75
43	R27218	FITTING PLUG	2		
44	.....	CAP	1		(A) END
45	AT196462	PLATE	2		SPRING SEAT
..	AN220373	SEAL KIT	1		OVERHAUL

(A) ORDER COMPLETE MOTOR AN277346

# 60-7

STEERING AND BRAKES

---

MEMORANDA

# 60-17

STEERING AND BRAKES

## BRAKE PEDALS AND MASTER CYLINDERS - CONTINUED

KEY	PART NO.	PART NAME	QTY.	SERIAL NO.	REMARKS
1	H156514	SUPPORT	1		R.H.
2	AH209442	HYD ACTUATED CONTROL VALVE	1		(SUB FOR AH155787) MASTER
3	H156513	SUPPORT	1		L.H.
4	19M7784	SCREW	4		M10 X 20
5	H120389	PIN	1		
6	H120388	PIN	1		
7	H124259	PUSH ROD	2		
8	H124258	EXTENSION SPRING	2		
9	14M7274	NUT	2		M10
10	45M7118	PIN FASTENER	2		
11	24M7028	WASHER	2		10.500 X 20 X 2 MM
12	11M7059	COTTER PIN	2		3.200 X 20 MM
13	H114330	YOKE	2		
14	H172924	PEDAL	1		L.H.
15	H111234	SEAL	2		
16	H105005	BUSHING	4		
17	34H312	SPRING PIN	1		1/4" X 1"
18	H95902	SPRING	1		
19	H99264	STRAP	1		
20	H172923	PEDAL	1		R.H.
21	19M7866	SCREW	4		M8 X 20
22	H114331	PIN FASTENER	2		
..	AH162545	KIT	1		PISTON ASSEMBLY AND SNAP RING

# 60-27

STEERING AND BRAKES

**STEERING VALVE - CONTINUED  
(ROW-TRAK GUIDANCE SYSTEM)  
(SERIAL NO. 14001- )**

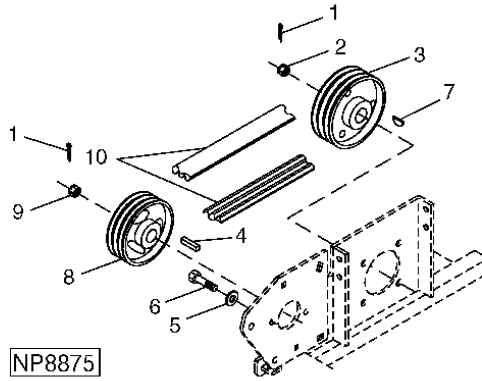
KEY	PART NO.	PART NAME	QTY.	SERIAL NO.	REMARKS
1	AN206492	FLOW CONTROL HYD. VALVE	1		
	AN206855	SEAL KIT	1		
2	AN277864	VALVE	1		
	F433299	SEAL KIT	1		
3	N223292	NUT	3		
4	AN221529	SOLENOID VALVE COIL	4		
5	AN221513	SENSOR	1		
6	AN221183	VALVE	1		
7	AN277865	VALVE	1		
	AT186614	SEAL KIT	1		
8	AN221328	CHASSIS WIRING HARNESS	1		
9	T105368	FITTING PLUG	5		
10	14M7148	NUT	2		M10
11	24H1304	WASHER	2		13/32" X 23/32" X 0.120"
12	42M7070	STUD	2		
13	38H1171	ADAPTER FITTING	4		
14	T77613	O-RING	4		
15	R26375	O-RING	4		
16	R28782	O-RING	5		
17	T76938	O-RING	4		
18	AN221329	CHASSIS WIRING HARNESS	1		

# 70-1

HYDRAULICS

NP8875 -UN-03DEC97

## HYDRAULIC PUMP PULLEYS AND BELT



KEY	PART NO.	PART NAME	QTY.	SERIAL NO.	REMARKS
1	11M7083	COTTER PIN	2		3.200 X 50 MM
2	T119077	NUT	1		
3	N279850	PULLEY	1		DRIVE
4	M15973	SHAFT KEY	1		
5	24H1254	WASHER	2		17/32" X 1-1/8" X 0.105"
6	19H1792	CAP SCREW	2		1/2" X 1"
7	N279809	SHAFT KEY	1		
8	N277056	PULLEY	1		DRIVEN
9	14H902	NUT	1		3/4"
10	N277058	V-BELT	1		

# 70-11

HYDRAULICS

## CONVEYOR / EXTENSION HYDRAULIC CONTROL - CONTINUED

KEY	PART NO.	PART NAME	QTY.	SERIAL NO.	REMARKS
1	.....	NUT	5		
2	AA37475	ELECTRICAL COIL	5		
3	AN202069	KIT	5		
4	AH132774	SOLENOID VALVE	5		
5	AN274476	SOLENOID VALVE	2		
6	.....	O-RING	1		(ORDER AT216348)
7	N203255	NUT	2		
8	R62070	RING	4		
9	AN272378	ELECTRICAL COIL	2		(SOLENOID COIL)
10	T77613	O-RING	4		
11	AN202068	VALVE	1		(USE WITH AN275849)
	U46166	O-RING	2		
12	AN204275	CONTROL VALVE	3		(USE WITH AN275849)
13	.....	O-RING	1		(ORDER AT216348)
14	R26448	O-RING	6		
15	R29936	O-RING	2		
16	R33138	FITTING	3		(INCLUDES O-RING)
17	AN274477	PRESSURE RELIEF VALVE	1		
18	AN272328	CHECK VALVE	2		
19	N277968	ORIFICE	1		
20	R70513	SCREW	4		
21	N277966	ORIFICE	1		
22	AT49216	FITTING PLUG	6		(INCLUDES O-RING)
23	N278376	ORIFICE	1		
24	N277967	ORIFICE	1		
25	E72010	SCREEN	3		
26	N273462	FILTER	1		
27	T60340	DRAIN PLUG	2		(INCLUDES O-RING)
28	N203859	FILTER	2		
29	.....	O-RING	1		(ORDER AT216349)
30	.....	O-RING	1		(ORDER AT209899)
31	R26375	O-RING	4		
..	AN275849	SOLENOID VALVE	1		COMPLETE VALVE ASSEMBLY
..	AT216348	SEAL KIT	1		
..	AT172179	SEAL KIT	1		
..	AT216349	SEAL KIT	1		
..	AT209899	SEAL KIT	1		

# 70-21

HYDRAULICS

## BASKET RAISE HYDRAULICS - CONTINUED

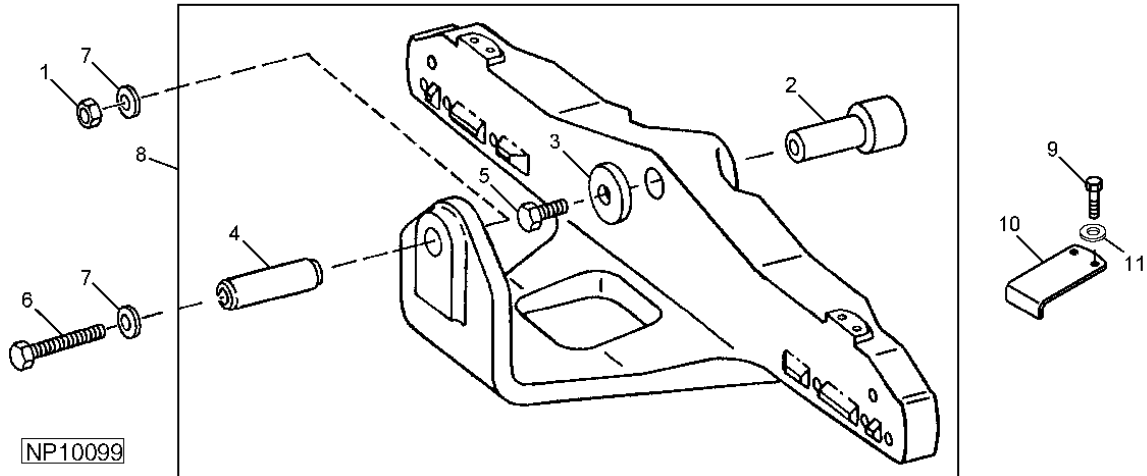
KEY	PART NO.	PART NAME	QTY.	SERIAL NO.	REMARKS
1A	38H1010	ELBOW FITTING	2	-XXXXXX	
1B	38H1171	ADAPTER FITTING	2	XXXXXX-	
2	R26375	O-RING	5		
3	AH176320	HYDRAULIC CYLINDER	2		(SUB AH176321)
	AH176321	HYDRAULIC CYLINDER	2		
4A	38H1171	ADAPTER FITTING	2	-XXXXXX	
4B	38H1522	ELBOW FITTING	2	XXXXXX-	
5	T77613	O-RING	7		
6	AN273607	HYDRAULIC HOSE	2		11/16" X 1 067 MM (42") X 11/16"
7	AN273606	HYDRAULIC HOSE	2		11/16" X 419 MM (16-1/2") X 11/16"
8	AN275158	LINE	2		
9	T77857	O-RING	8		
10	T78716	NUT	2		
11	24H1939	WASHER	2		27/32" X 1-3/8" X 0.120"
12	N279147	ORIFICE	2		
13	AN276646	HYDRAULIC HOSE	1		13/16" X 2 515 MM (99") X 13/16", BASKET LOWER
14	38H1005	ELBOW FITTING	1		
15	AN276027	HYDRAULIC HOSE	1		13/16" X 2 083 MM (82") X 13/16", BASKET RAISE
16	38H1505	TEE FITTING	2		
17	AN273166	LINE	2		
18	19M8374	SCREW	2		M10 X 30
19	AN276902	PIN FASTENER	2		
20	E63526	NUT	2		
21	N273477	COUPLING	2		(USE WITH 38H1171)
22	T151858	WASHER	2		

# 80-1

WHEELS, REAR AXLES AND SHEET METAL

## REAR AXLE CENTER

NP10099 -UN-17DEC98



KEY	PART NO.	PART NAME	QTY.	SERIAL NO.	REMARKS
1	14M7277	NUT	1		M20
2	R111398	PIN	1		
3	R116440	BUSHING	1		
4	R73635	BUSHING	1		
5	19M8639	CAP SCREW	1		M20 X 70
6	19M8503	CAP SCREW	1		M20 X 160
7	24H1410	WASHER	2		13/16" X 2-7/16" X 1/4"
8	RE67366	REAR AXLE	1		(MARKED R132030)
9	19M7167	CAP SCREW	8		M10 X 25
10	R136359	CLAMP	4		
11	24M7040	WASHER	8		11 X 20 X 2 MM

# 80-11

WHEELS, REAR AXLES AND SHEET METAL

## MAIN FRAME - CONTINUED

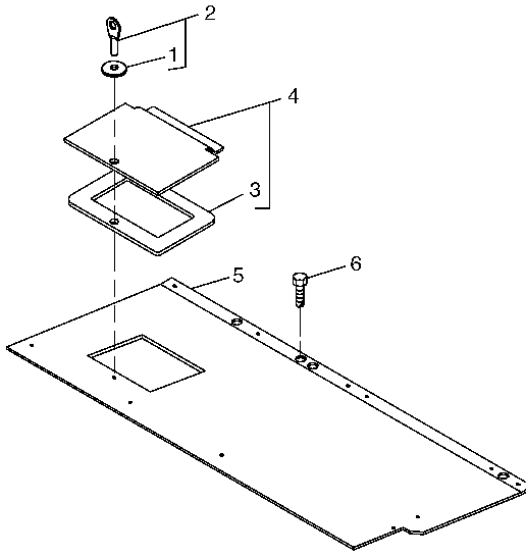
KEY	PART NO.	PART NAME	QTY.	SERIAL NO.	REMARKS
1	AN276927	FRAME	1		(INCLUDES DECALS)
2	AN275504	FRONT AXLE	1		
3	19M7369	CAP SCREW	10		M16 X 60
4	24H1367	WASHER	8		21/32" X 1-1/4" X 1/4"
5	19M8287	CAP SCREW	6		M24 X 80, (LOWER 6 LOCATIONS)
6	H163561	SPACER	6		(LOWER 6 LOCATIONS)
7	19M7888	CAP SCREW	2		M24 X 60
8	14M7291	FLANGE NUT	12		M16
9	19M8828	SCREW	2		M30 X 120
10	14M7310	NUT	4		M30
11	AN272672	BRACE	2		
12	19M7828	SCREW	2		M16 X 100
13	H100293	STRAP	AR		
14	A58549	WASHER	2		
15	N278994	CHANNEL	1		

# 80-21

WHEELS, REAR AXLES AND SHEET METAL

## HOODS FOR HEAT EXCHANGER UNITS

NP12172 -UN-17DEC01



NP12172

KEY	PART NO.	PART NAME	QTY.	SERIAL NO.	REMARKS
1	N272970	SEAL	1		
2	AN272520	DUAL LOCK FASTENER	1		
3	.....	SEAL	1		
4	AN275038	COVER	1		
5	N372669	HOOD	1		
6	37M7086	SCREW	AR	M10 X 20	

# 80-31

WHEELS, REAR AXLES AND SHEET METAL

## TUNNEL BOTTOM PANELS, CENTER - CONTINUED (SERIAL NO. 14001- )

KEY	PART NO.	PART NAME	QTY.	SERIAL NO.	REMARKS
1	N373931	PANEL	1		
2	N373933	PANEL	1		LH
3	E63526	NUT	AR		
4	N275509	ANGLE	1		
5	19M7784	SCREW	AR		M10 X 20
6	N276025	PIN FASTENER	1		
7	N33404	SPRING	1		
8	N33504	SNAP RING	1		
9	N278025	HINGE	3		
10	N374161	PANEL	1		
11	19M8375	CAP SCREW	AR		M10 X 35
12	N276337	ANGLE	1		
13	N375995	ANGLE	1		(SUB FOR N275673)
14	N276336	ANGLE	1		
15	N374160	PANEL	1		
16	N373843	PANEL	1		
17	N276214	CHANNEL	1		RH
18	E63525	NUT	6		
19	19M8163	CAP SCREW	6		M8 X 16
20	AN273752	DOOR	1		
	AN276602	DOOR	1		AUSTRALIA EXPORT ONLY

CLICK HERE TO **DOWNLOAD** THE COMPLETE MANUAL

- Thank you very much for reading the preview of the manual.
- You can download the complete manual from: [www.heydownloads.com](http://www.heydownloads.com) by clicking the link below



- Please note: If there is no response to CLICKING the link, please download this PDF first and then click on it.

CLICK HERE TO **DOWNLOAD** THE COMPLETE MANUAL

# 80-41

WHEELS, REAR AXLES AND SHEET METAL

## HYDRO PUMP SUPPORT ASSEMBLY - CONTINUED

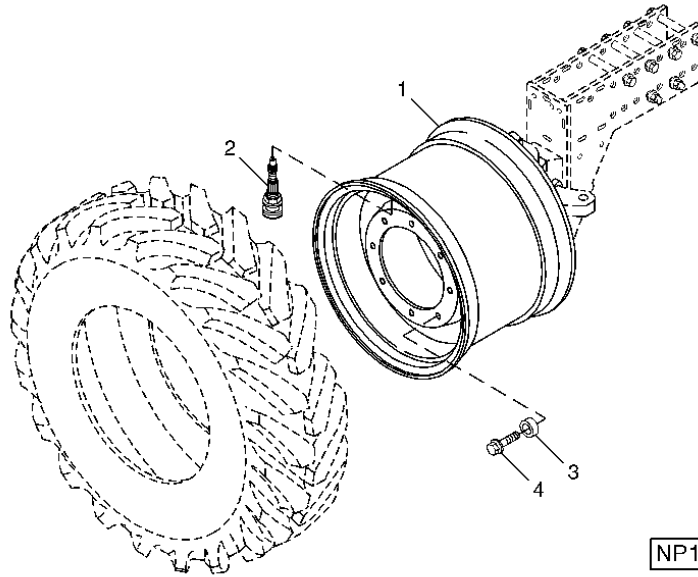
KEY	PART NO.	PART NAME	QTY.	SERIAL NO.	REMARKS
1	N274450	ANGLE	1		
2	AN273122	BRACKET	1		QUICK CONNECT
3	19M7784	SCREW	AR		M10 X 20
4	E63526	NUT	AR		
5	19M8374	SCREW	6		M10 X 30
6	19M7785	SCREW	1		M10 X 25
7	14M7275	NUT	2		M12
8	24H1254	WASHER	1		17/32" X 1-1/8" X 0.105"
9	N279460	EYEBOLT	1		
10	14M7401	LOCK NUT	1		M12
11	N279586	ANGLE	1		
12	19M7905	CAP SCREW	2		M12 X 200
13	E63527	NUT	6		
14	24H1737	WASHER	3		17/32" X 1-7/16" X 0.180"
15	24H1345	WASHER	3		17/32" X 1-3/4" X 0.060"
16	03M7200	BOLT	3		M12 X 40
17	19M7789	SCREW	2		M12 X 30
18	N274953	ANGLE	1		
19	N279585	STRAP	2		
20	AH90990	CLIP	1		
21	N279624	SUPPORT	1		
22	N274285	ANGLE	2		PUMP SUPPORT
23	N274418	ANGLE	2		
24	19M7788	SCREW	2		M12 X 25
25	N278393	PLATE	1		BELT GAUGE
26	T26955	CLAMP	1		

# 85-3

POWER AXLE

NP13256 -UN-11NOV03

## POWER AXLE WHEEL



NP13256

KEY	PART NO.	PART NAME	QTY.	SERIAL NO.	REMARKS
1	AN279703	WHEEL	1		(SUB FOR AN278594) 24 X 15L
2	AT25226	TIRE VALVE STEM	1		
3	H134114	SPACER	8		
4	H134600	SCREW	8		

# 85-13

POWER AXLE

---

MEMORANDA

# 90-1

OPERATOR'S STATION

---

MEMORANDA

# 90-11

OPERATOR'S STATION

**PLATFORM FLOORS - CONTINUED**  
**(4 ROW 34" - SINGLE WHEELS)**  
**(38" AND 40"/64" SKIP ROW)**

KEY	PART NO.	PART NAME	QTY.	SERIAL NO.	REMARKS
1	AN275130	FLOOR	1		
2	N278842	CHANNEL	AR		
3	N279026	STRAP	4		
4	AN274953	FLOOR	2		
5	19M7785	SCREW	AR		M10 X 25
6	E63526	NUT	AR		
7	N278962	CHANNEL	1		
8	AN273668	FLOOR	1		
9	03M7190	BOLT	AR		M10 X 20
10	N275608	CHANNEL	1		
11	N277568	ANGLE	1		

# 90-21

OPERATOR'S STATION

## CAB GLASS AND DOOR - CONTINUED

KEY	PART NO.	PART NAME	QTY.	SERIAL NO.	REMARKS
1	19M7866	SCREW	2		M8 X 20
2	AH132819	BRACKET	2		
3	.....	WINDSHIELD	1		
4	AH166648	KIT	1		GLASS REPLACEMENT
5	H123794	WINDOWPANE	1		
6	AH168703	DOOR	1		(SUB AH207302)
7	H125769	WINDOWPANE	1		
8	H153394	BEZEL	1		
9	H169403	PAD	1		CUT TO LENGTH
10	H165689	SCREW	12		
11	H165490	HOUSING	1		
12	AH104259	ASHTRAY	1		
13	H169634	NUT	2		
14	37M7160	SCREW	2		M6 X 16
15	L58890	WASHER	2		9 X 35 X 3 MM
16	L78703	CAP	2		
17	L78851	BUSHING	2		
18	R131261	WASHER	2		
19	24M7036	WASHER	2		
20	19M7868	SCREW	2		
21	AH168702	HANDLE	1		
22	37M7160	SCREW	8		M6 X 16
23	L100285	SCREW	2		
24	AH206878	STRIKER	1		
25	H136590	DISK SPRING	2		10.540 X 24 X 3 MM
26	H207001	STRAP	1		

# 90-31

OPERATOR'S STATION

## SEAT CONSOLE - CONTINUED

KEY	PART NO.	PART NAME	QTY.	SERIAL NO.	REMARKS
1	N371217	CONSOLE	1		
2	H168781	STUD	6		
3	H177654	SCREW	8		
4	N371082	CONSOLE	1		
5	AN276845	PANEL	1		
6	H161023	VENT	1		
7	AH171536	CUSHION	1		
8	AH134724	LOUVER	1		
9	H167337	BRACKET	1		
10	37M7165	SCREW	2		4.8 X 13 MM (0.1890" X 0.5118")
11	14M7298	FLANGE NUT	2		M8
12	AH171537	SEAT	1		
13	19M7866	SCREW	8		M8 X 20
14	H168436	PAN	1		
15	N372831	PLATE	1		
16	14M7303	FLANGE NUT	8		M6
17	N372884	BRACKET	1		
18	N372885	BRACKET	1		(SUB FOR N371157)
19	N371158	LATCH	1		
20	21M7310	SCREW	4		M6 X 25
..	AH152668	ELEC. CONNECTOR TERMINAL	1		

# 90-41

OPERATOR'S STATION

## GEARSHIFT LEVER AND LINKAGE - CONTINUED

KEY	PART NO.	PART NAME	QTY.	SERIAL NO.	REMARKS
1	.....	KNOB	1		
2	.....	LABEL	1		
3	AH206788	KIT	1		
4	AH172140	LEVER	1		
5	19M8318	SCREW	4		M8 X 45
6	H131040	BEARING	4		
7	H177930	BOOT	1		
8	H133660	SEAL	1		
9	H177928	SUPPORT	1		
10	19M8291	SCREW	4		M8 X 35
11	14M7296	FLANGE NUT	1		M10
12	24H1296	WASHER	5		11/32" X 1-3/8" X 0.134"
13	19M8319	SCREW	1		M8 X 50
14	H133662	ISOLATOR	2		
15	19M7867	SCREW	4		M8 X 25
16	AH172313	CABLE	1		
17	AH125958	BALL JOINT	2		
18	H133047	CLAMP	2		
19	24H1309	WASHER	1		13/32" X 1-1/16" X 0.120"
20	AH77724	CLIP	1		
21	37M7058	SCREW	1		M8 X 20
..	TY9371	SEALANT	1		6 ML HIGH STRENGTH

# 90-51

OPERATOR'S STATION

## OPERATOR'S SEAT PIVOT AND ADJUST ASSEMBLIES - CONTINUED

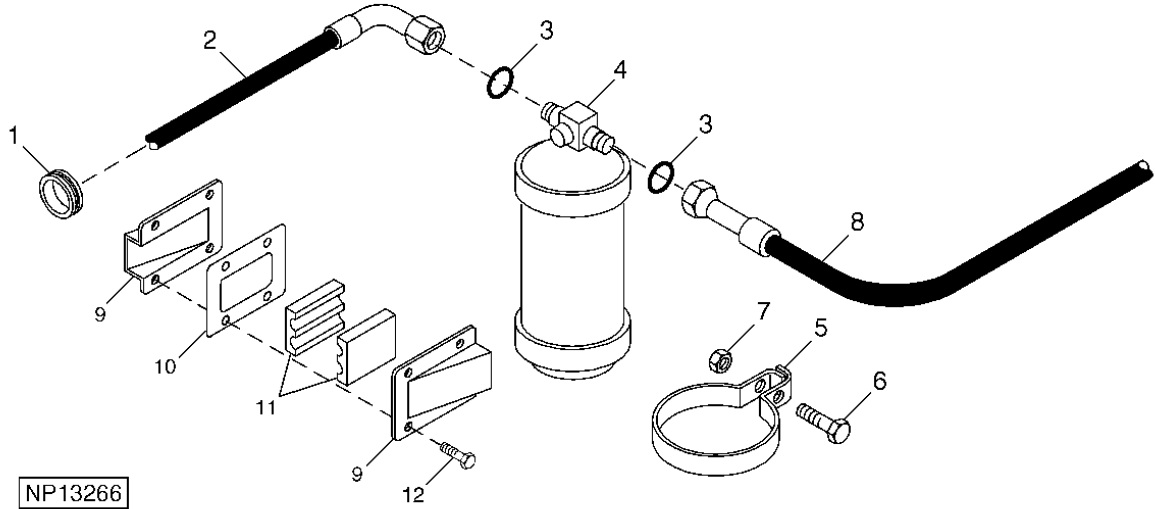
KEY	PART NO.	PART NAME	QTY.	SERIAL NO.	REMARKS
1	AL117352	LEVER	1		
2	AH203004	OPR PRESENCE SWITCH KIT	1		
3	AL117443	SHIELD	1		
4	AH203005	SUPPORT	1		
5	14M7426	LOCK NUT	4		M8
6	H203729	BUSHING	1		
7	L36292	NUT	1		
8	AL117447	GRIP	1		
9	AL117448	PLATE	1		
10	AL117444	GRIP	1		
11	16M7114	RIVET	4		6 MM
12	L115017	GRIP	1		
13	AL117446	SHIELD	1		
14	L115016	LEVER	1		
15	AL117445	PLATE	1		
16	L79500	WASHER	1		

# 90-61

OPERATOR'S STATION

## AIR CONDITIONING SYSTEM - RECEIVER-DRYER

NP13266 -UN-17NOV03



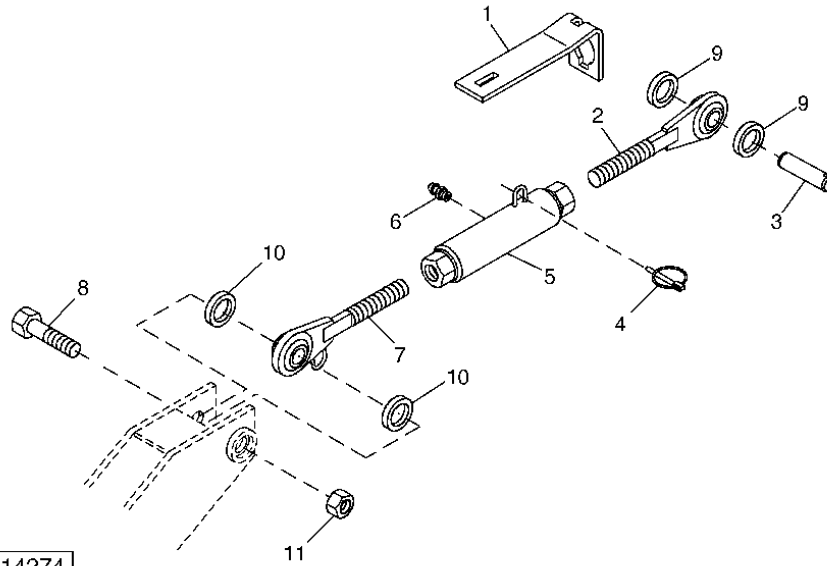
KEY	PART NO.	PART NAME	QTY.	SERIAL NO.	REMARKS
1	N370375	GROMMET	2		
2	AN273410	HOSE	1		LIQUID
3	R10093	O-RING	2		
4	AH137486	RECEIVER-DRYER	2		
5	R53422	CLAMP	2		
6	19M8162	SCREW	2		M10 X 40
7	E63526	NUT	3		
8	AE50831	HOSE	1		A/C LIQUID
9	H129606	RETAINER	2		
10	H114525	GASKET	1		
11	H114523	SEAL	2		
12	37M7090	SCREW	4		M6 X 16
..	R120956	CAP	1		

# 100-1

PICKING UNIT LIFT

## TOP LINK STABILIZER

NP14274 -UN-17AUG04



NP14274

KEY	PART NO.	PART NAME	QTY.	SERIAL NO.	REMARKS
1	N371165	STRAP	1		
2	AN276310	EYEBOLT	1		
3	N278015	PIN FASTENER	1		
4	AR60372	QUICK LOCK PIN	1		
5	N279430	TURNBUCKLE	1		
6	JD7844	LUBRICATION FITTING	1		
7	AN276311	EYEBOLT	1		
8	N373954	SCREW	1		
9	N371166	BUSHING	4		(SUB N374322)
10	N374322	WASHER	4		
11	A20329	LOCK NUT	1		

# 110-5

PICKING UNIT CABINET

## PICKING UNIT UPPER HOUSING - CONTINUED (PRO-16 UNIT)

KEY	PART NO.	PART NAME	QTY.	SERIAL NO.	REMARKS
1	N272366	PANEL	1		
2	19M7660	SCREW	AR		M8 X 20
3	P47210	NUT	AR		
4	AN275038	COVER	2		
	.....	SEAL	1		(ORDER AN275030 SEAL KIT)
5	AN275037	COVER	3		
	.....	SEAL	1		(ORDER AN275030 SEAL KIT)
6	19M7784	SCREW	AR		M10 X 20
7	E63526	NUT	AR		
8	N278745	SAFETY SIGN	1		DANGER - "DISENGAGE HARVESTING UNIT DRIVE..."
9	19M7660	SCREW	1		M8 X 20, UNITS NO. 1, 2, 4, 5, AND 6
	AN272520	DUAL LOCK FASTENER	1		UNIT NO. 3
10	AN273840	HOOD	1		(INCLUDES DECAL)
11	37M7086	SCREW	AR		M10 X 20
12	AN273766	PLATE	1		
13	AN273841	LABEL	1		(KIT, NO. 1 THROUGH NO. 6)
14	N274331	BRACKET	1		HYDRAULIC LINES
15	N372157	BRACKET	1		OIL AND GREASE LINES
16	N273351	CHANNEL	1		OUTER ROLLER SUPPORT
17	AN274764	SUPPORT	1		
18	N273349	PANEL	1		REAR
19	N275053	ANGLE	2		IDLER SUPPORT
20	N276059	ANGLE	1		
21	N273302	BRACKET	2		SENSOR
22	N371606	PANEL	1		FRONT
23	N278833	CHANNEL	1		REAR
24	AN275036	COVER	1		
25	N272377	REINFORCEMENT	1		
26	N272405	ANGLE	1		
27	N272970	SEAL	2		
28	AN272520	DUAL LOCK FASTENER	2		
29	N275344	SHEET	1		
30	N275065	PANEL	1		
31	AN273676	SEAL KIT	AR		16 BAR DRUM (FOR 2 DRUMS)
32	AN273686	COVER	1		
33	AN273838	SEAL	AR		12 BAR DRUM (FOR 4 DRUMS)
34	N275131	COVER	1		REAR DRUM
35	N275308	PLUG	1		
36	AN276819	SHEET	1		INNER
37	N276506	CHANNEL	1		
38	P47210	NUT	AR		(A)
39	19M7660	SCREW	AR		(A) M8 X 20
40	N212383	ANGLE	1		(A)
41	AN192315	LINK CHAIN	1		(A)
42	AN276610	COVER	2		
	.....	SEAL	1		(ORDER AN275030 SEAL KIT)
43	N277119	CLAMP	7		
44	R66718	GROMMET	1		
45	AN276611	COVER	1		
	.....	SEAL	1		(ORDER AN275030 SEAL KIT)
..	AN275030	SEAL	1		INSPECTION COVERS (KIT FOR 1 UNIT - ALL COVERS)
..	N271002	SEALANT	AR		
..	N371404	CLAMP	4		(USE WITH AN276610, AN276611, (4) 19M7861 AND (4) E63524)
..	19M7861	SCREW	4		M6 X 10
..	E63524	NUT	4		

(A) EUROPEAN COMMUNITY

# 110-15

PICKING UNIT CABINET

## PICKING UNIT BOTTOM FRAME - CONTINUED (PRO-16 UNIT)

KEY	PART NO.	PART NAME	QTY.	SERIAL NO.	REMARKS
1	19M7785	SCREW	AR		M10 X 25
2	E63526	NUT	AR		
3	N272430	CHANNEL	1		
4	N370149	ANGLE	1		
5	N370150	ANGLE	1		
6	N274243	ANGLE	1		
7	AN277440	FRAME	1		
8	03M7190	BOLT	2		M10 X 20
9	N275243	ANGLE	1		WEAR
10	N276703	PLATE	2		
11	19M7784	SCREW	8		M10 X 20

# 110-25

PICKING UNIT CABINET

## REAR DRUM PRESSURE PLATE - CONTINUED (PRO-12 18S)

KEY	PART NO.	PART NAME	QTY.	SERIAL NO.	REMARKS
1	19M7784	SCREW	2		M10 X 20
2	AN274518	TUBE	1		
3	N279108	ANGLE	1		
4	37M7137	SCREW	6		M8 X 30
5	N190464	SPRING	4		MIDDLE POSITIONS
	N276341	SPRING	2		TOP AND BOTTOM
6	14M7400	LOCK NUT	2		M10
7	N276048	TUBE	2		SPRING COVER
8	AN273753	CABLE	2		
9	AN131764	PIN FASTENER	2		
10	AN274587	PLATE	1		
11	N278127	EXTENSION	1		
12	E63526	NUT	11		
13	03M7190	BOLT	4		M10 X 20
14	24H1312	WASHER	4		13/32" X 1-3/8" X 0.105"
15	03M7191	BOLT	4		M10 X 25
16	N278108	EXTENSION	1		
17	N278107	ANGLE	1		
18	N198712	REINFORCEMENT	3		
19	N33504	SNAP RING	1		
20	N33404	SPRING	1		
21	N275113	PIN FASTENER	1		(ILLUSTRATED) (SUB N276025)
	N276025	PIN FASTENER	1		
22	34H314	SPRING PIN	1		1/4" X 1-1/4"
23	24H1660	WASHER	1		57/64" X 1-3/8" X 0.060"
24	N196136	ANGLE	2		
25	N274290	STRAP	2		WELDMENT REQUIRED

# 110-35

PICKING UNIT CABINET

## HEIGHT SENSING LINKAGE AND SENSOR - CONTINUED

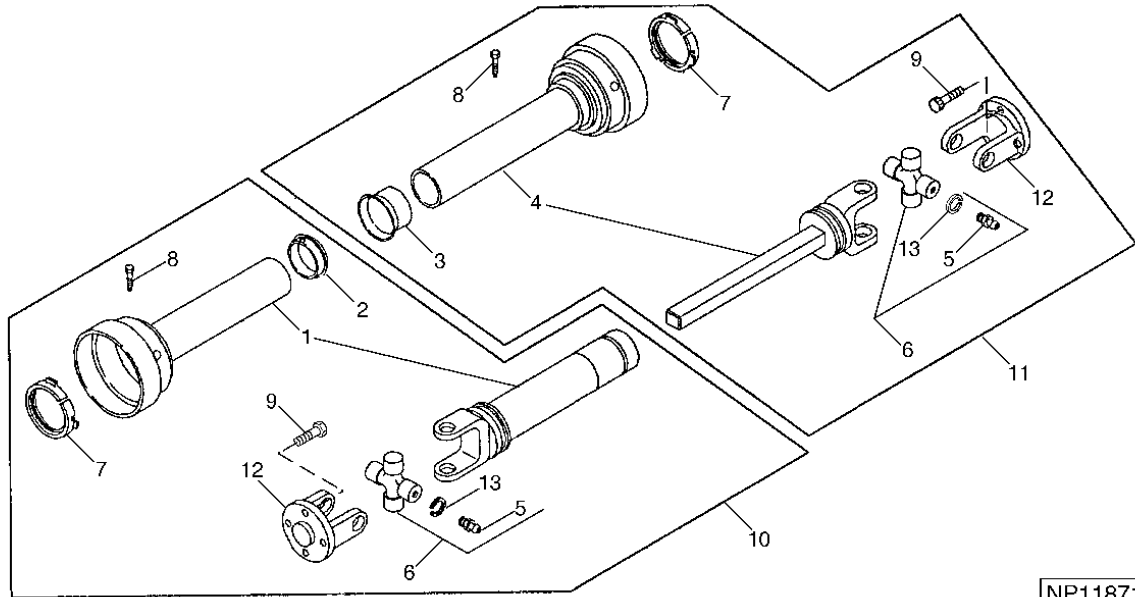
KEY	PART NO.	PART NAME	QTY.	SERIAL NO.	REMARKS
1	AN277922	SENSOR	2		(SUB FOR AN276301) (SUB AN279749)
2	N371601	BRACKET	1		R.H.
	N371600	BRACKET	1		L.H.
3	R100686	SUPPORT	2		
4	21H1383	SCREW	4		0.190" X 2"
5	N203905	LOCK NUT	4		
6	AN276757	ARM	2		
7	N371598	SHIELD	2		
8	19M7835	SCREW	4		M10 X 35
9	E63526	NUT	4		
10	N371597	ROD	2		
11	A4365R	O-RING	2		
12	11M7015	COTTER PIN	4		3.200 X 25 MM
13	19M8162	SCREW	2		M10 X 40
14	AN277258	LINK END	2		BEARING
15	N191622	SHOE	2	-18000	
	N377420	SHOE	2	18001-	
16A	AN276527	SHOE	2	-16001	
16B	N374600	SHOE	2	16001-	
17	N371360	TORSION SPRING	2		
18	N371596	ANGLE	2		
19	03M7192	BOLT	4		M10 X 30
20	E63526	NUT	8		
21	19M7835	SCREW	2		M10 X 35
22	M82222	LOCK NUT	2		
23	N217966	WASHER	6	16001-	
	N217966	WASHER	4	-16001	
24	03M7225	BOLT	2		M10 X 100
25	P48347	O-RING	4		
26	R72653	SNAP RING	2		
27	N371364	BUSHING	2		
28	R73639	NUT	2		
29	34H284	SPRING PIN	2		
30	N374820	WASHER	1	16001-	
..	<b>BN272355</b>	<b>COMPLETE GOODS/SHIP. BUNDLE</b>	<b>1</b>		<b>HEIGHT SENSING - INNER UNITS</b>

# 120-5

PICKING UNIT SYSTEM

## UNIVERSAL JOINT, CROSS SHAFT

NP11871 -UN-28JUN01



NP11871

KEY	PART NO.	PART NAME	QTY.	SERIAL NO.	REMARKS
1	AN272425	POWERSHAFT SHIELD	1		(SHORT - 14")
	AN272428	POWERSHAFT SHIELD	1		(LONG - 19")
2	N273546	BEARING	1		(INCLUDED IN AN272425 AND AN272428)
3	N273547	GUIDE	1		
4	AN272426	POWERSHAFT SHIELD	1		
	E82514	SAFETY SIGN	1		DANGER-"ENTANGLEMENT IN ROTATING DRIVELINE.."
	H151673	LABEL	1		(EXPORT ONLY)
5	JD7842	LUBRICATION FITTING	2		
6	AN272429	CROSS AND BEARING ASSEMBLY	2		
7	H118943	BEARING	2		(INCLUDED IN AN272425 AND AN272428)
8	37M7067	SCREW	2		
9	N275214	SCREW	8		12 POINT HEAD
10	AN273488	UNIVERSAL JOINT	1		(SHORT -14")
	AN273896	UNIVERSAL JOINT	1		(LONG - 19")
11	AN273489	UNIVERSAL JOINT	1		
12	.....	YOKE	2		
13	.....	SNAP RING	8		
..	<b>BN272108</b>	<b>COMPLETE GOODS/SHIP. BUNDLE</b>	<b>1</b>		<b>LONG CROSS SHAFT (36"-40")</b>

# 120-15

PICKING UNIT SYSTEM

## PICKER DRUM HEAD AND CAM - CONTINUED

KEY	PART NO.	PART NAME	QTY.	SERIAL NO.	REMARKS
1	N275308	PLUG	1		
2	.....	SEAL	1		(ORDER AN273676 FOR PRO-16 OR AN273838 FOR PRO-12)
3	N275015	PLUG	1		
4	N273016	CAM	1		PRO-16
	N273012	CAM	1		PRO-12
5	N273658	PICKER DRUM HEAD	1		PRO-16
	N273659	PICKER DRUM HEAD	1		PRO-12 (ILLUSTRATED)
6	N274229	SPRING WASHER	AR		BEARING RETAINER
7	19M7835	SCREW	AR		M10 X 35
8	N279871	BUSHING	16		BAR SEAL (PRO-16)
	N279871	BUSHING	12		BAR SEAL (PRO-12)
9	19M7789	SCREW	3		M12 X 30

# 120-25

PICKING UNIT SYSTEM

## DOFFER - CONTINUED

KEY	PART NO.	PART NAME	QTY.	SERIAL NO.	REMARKS
1	19M8374	SCREW	3		M10 X 30
2	E63526	NUT	6		
3	AN273701	SHAFT	1		(A)
	AN274506	SHAFT	1		(B)
4	AN272152	DOFFER	20		(A)
	AN272152	DOFFER	18		(B)
5	N275381	SPACER	19		(A)
	N275381	SPACER	17		(B)
6	L3197N	SHIM	AR		
7	24H1633	WASHER	1		
8	N198746	SPACER	1		
9	N275471	CAP	1		
10	N371318	SPACER	1		
11	AN275022	BALL BEARING	1		
12	N275038	NUT	1		
13	AN273445	DOFFER	1		(A) ASSEMBLY
	AN274508	DOFFER	1		(B) ASSEMBLY
14	N275931	SHIM	AR		
15	AN273953	HOUSING	1		
16	19M7785	SCREW	3		M10 X 25
17	N272482	BLADE	2		VINE CUTTER
18	19M7861	SCREW	2		M6 X 10
19	E63524	NUT	2		
20	JD7759	LUBRICATION FITTING	1		
..	<b>BN272178</b>	<b>COMPLETE GOODS/SHIP. BUNDLE</b>	<b>1</b>		<b>VINE CUTTER ATTACHMENT (PROVIDES CUTTERS FOR 4 DOFFER COLUMNS) (AVAILABLE FROM JOHN DEERE DES MOINES WORKS)</b>

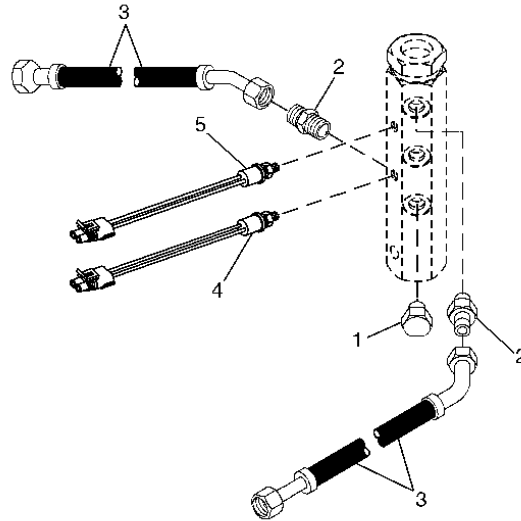
(A) 20 SPINDLE  
(B) 18 SPINDLE

# 130-7

PICKING UNIT LUBRICATION SYSTEM

## LUBRICATION MANIFOLD

NP12257 -UN-13MAR02



NP12257

KEY	PART NO.	PART NAME	QTY.	SERIAL NO.	REMARKS
1	R51031	FITTING	2		PLUG, FOR 4 ROW
	.....	O-RING	2		
2	AM30686	FITTING	AR		(WITH O-RING) (1) PER UNIT
3	AN273067	HYDRAULIC HOSE	AR		7/16" X 4 572 MM (180") X 9/16", (1) PER UNIT
4	AN273360	SWITCH	1		HIGH PRESSURE
5	AN272177	SWITCH	1		GREASE PRESSURE

# 140-5

WATER SYSTEM

## WATER PUMP FITTINGS AND SUPPORTS - CONTINUED

KEY	PART NO.	PART NAME	QTY.	SERIAL NO.	REMARKS
1	AN276517	PUMP	1		
2	AN153154	DRAIN VALVE	2		
3	PMHB07505090	HOSE FITTING	1		(SUB FOR N203163) INLET
4	19M7786	SCREW	4		M10 X 30
5	22H838	SET SCREW	1		5/16" X 1/2"
6	N190050	PULLEY	1		
7	N371943	HOSE FITTING	1		OUTLET
8	E63526	NUT	4		
9	TY24412	BULK HOSE	1		(144")
10	N371585	V-BELT	1		
11	N371456	ANGLE	1		
12	N371771	ANGLE	1		
13	TY22465	HOSE CLAMP	1		
14	19M8368	SCREW	2		M8 X 30
15	E63525	NUT	2		

# 140-15

WATER SYSTEM

## SPINDLE MOISTENER COLUMN - CONTINUED

KEY	PART NO.	PART NAME	QTY.	SERIAL NO.	REMARKS
1	N276745	HOSE FITTING	1		
2	R495R	O-RING	1		
3	AB11379	STRAINER	1		
4	B12283	NOZZLE	1		(USE WITH SPINDLE CLEANER)
5	19M8317	SCREW	1		M8 X 40
	R186227	SCREW	1		EXPORT ONLY
6	.....	NUT	1		
7	N276747	COVER	1		
8	N276746	DISTRIBUTOR PLATE	1		
9	AN273019	MANIFOLD	1		PRO-16
	AN274526	MANIFOLD	1		PRO-12
10	N158795	PLUG	AR		
11	N275607	PAD	20		
12	AN273816	HOLDER	20		
13	N276748	SEAL	1		
14	AN279609	HOLDER	1		PRO-16, (SUB FOR AN273474)
	AN279610	HOLDER	1		PRO-12, (SUB FOR AN274512)
15	N275882	ANGLE	1		REAR ONLY
16	R59468	SPRING	2		
17	AN274659	LATCH	1		PRO-16 (FRONT DRUM)
	AN273512	LATCH	1		PRO-16 (REAR DRUM)
	AN274513	LATCH	1		PRO-12 (FRONT AND REAR DRUM)
18	N275392	HOLD-DOWN CLIP	3		
19	E63525	NUT	AR		
20	N273218	SPACER	2		TOP AND BOTTOM, (SUB N374880)
	N374880	SPACER	2		
21	19M8319	SCREW	2		M8 X 50
22	03M7186	BOLT	2		M8 X 30
23	AN274660	SUPPORT	1		DOOR, PRO-16 (FRONT DRUM)
	AN273517	SUPPORT	1		DOOR, PRO-16 (REAR DRUM)
	AN274510	SUPPORT	1		DOOR, PRO-12 (FRONT AND REAR DRUM)
24	03M7183	BOLT	5		M8 X 16
25	03M7185	BOLT	1		M8 X 25
26	E64256	LOCK NUT	AR		
27	N279504	HANDLE	1		(SUB N374492)
	N374492	HANDLE	1		
	N278904	ANGLE	1		EXPORT ONLY
28	14M7275	NUT	1		M12
29	19M7785	SCREW	2		M10 X 25
30	A31867	LOCK NUT	1		
31	24H1162	WASHER	2		17/32" X 1-1/4" X 0.060"
32	AN273797	PIVOT	1		
33	N276092	STRAP	AR		
34	N277000	BUSHING	2		
35	N168012	WASHER	1		SPRING DISC
36	19M7590	CAP SCREW	1		M12 X 100
37	H25220	BUSHING	1		
38	N190923	TUBE	AR		
39	F1870R	O-RING	1		
40	M110316	BUSHING	1		
41	N373037	BRACKET	1		
42	24H1224	WASHER	1		
43	24H1136	WASHER	2		
44	14M7151	NUT	1		M8

# 150-9

AIR SYSTEM

## COTTON DOORS - CONTINUED

KEY	PART NO.	PART NAME	QTY.	SERIAL NO.	REMARKS
1	J16931	PIN	2		
2	AN272893	POST	1		PRO-16 UNITS (ILLUSTRATED)
	AN274662	POST	1		PRO-12 UNITS
3	E63526	NUT	8		
4	11M7081	COTTER PIN	2		2.500 X 20 MM
5	N197195	PIN FASTENER	1		
6	03M7251	BOLT	1		M6 X 12
7	N199131	DOOR	1		CLEAN-OUT
8	AN194090	LATCH	1		
9	E63524	NUT	1		
10	AN277607	DOOR	1		INNER, (SUB FOR AN272788)
11	N197264	PLATE	1		
12	AN273439	PLATE	2		
13	19M7784	SCREW	8		M10 X 20
14	N279440	CHANNEL	2		
15	N198886	PLATE	2		
16	24H1309	WASHER	6		13/32" X 1-1/16" X 0.120"
17	AN276688	DOOR	1		OFFSET
18	AN276679	DOOR	1		STRAIGHT
19	03M7190	BOLT	4		M10 X 20
20	N279002	ANGLE	1		STRAIGHT
21	N279003	ANGLE	1		(SUB N376863) OFFSET

# 160-1

BASKET

## BASKET ASSEMBLY

KEY	PART NO.	PART NAME	QTY.	SERIAL NO.	REMARKS
..	AN276894	BASKET	1		(A) LOWER BASKET ASSEMBLY (INCLUDES BASKET FLOOR, FRONT, SIDES, REAR, CONVEYORS AND BASKET HYDRAULICS)
..	AN276890	EXTENSION	1		BASKET EXTENSION ASSEMBLY (INCLUDES BASKET EXTENSION SIDES, FRONT, REAR, COMPACTOR AUGERS AND HYDRAULICS)
..	AN276888	EXTENSION	1		(B) BASKET EXTENSION ASSEMBLY FOR LID EXTENSION (INCLUDES BASKET EXTENSION SIDES, FRONT, REAR, COMPACTOR AUGERS)
..	AN276890	BASKET	1		(SUB FOR AN276895) (INCLUDES PARTS MARKED (A) AND (B)), (LOWER BASKET ASSEMBLY, BASKET EXTENSION ASSEMBLY, HYDRAULIC COMPACTOR HOSE, SHIELD-RIGHT, SHIELD-BASKET VALVE, SHIELD HYDRAULIC LINE, SHIELD-LEFT, ETC.)
..	AN276891	EXTENSION	1		INCLUDES PARTS MARKED (B), (BASKET EXTENSION ASSEMBLY FOR LID EXTENSION, ETC.)

# 160-11

BASKET

---

MEMORANDA

# 160-21

BASKET

---

## BASKET DOOR CONVEYOR CHAIN PROTECTORS AND SUPPORTS - CONTINUED

KEY	PART NO.	PART NAME	QTY.	SERIAL NO.	REMARKS
1	N273950	STRIP	4		DOOR TOP
2	N274776	CHANNEL	1		
3	N274556	CHANNEL	1		
4	H140692	SCREW	AR		
5	14M7396	LOCK NUT	AR		M8
6	N276329	STRIP	4		DOOR BOTTOM
7	N274558	ANGLE	2		
8	N276152	SCREW	2		
9	N275562	CHANNEL	1		CENTER FLOOR EXTENSION
10	N274339	ANGLE	1		

# 160-31

BASKET

---

## BASKET FLOOR CONVEYOR CHAIN PROTECTORS AND SUPPORTS - CONTINUED

KEY	PART NO.	PART NAME	QTY.	SERIAL NO.	REMARKS
1	N273767	STRIP	4		UPPER
2	N274843	CHANNEL	1		CENTER, TOP
3	N375952	CHANNEL	1		CENTER, LOWER (REAR) (SUB FOR N371240)
4	N375951	CHANNEL	1		CENTER, LOWER (FRONT) (SUB FOR N371241)
5	H140692	SCREW	AR		
6	14M7396	LOCK NUT	AR		M8
7	N278689	STRIP	8		LOWER
8	N278744	CHANNEL	2		(REAR ILLUSTRATED)
9	N276152	SCREW	AR		
10	N274506	ANGLE	2		(REAR ILLUSTRATED)
11	N275562	CHANNEL	1		CENTER FLOOR EXTENSION

# 160-41

BASKET

## BASKET EXTENSION, FRONT - CONTINUED

KEY	PART NO.	PART NAME	QTY.	SERIAL NO.	REMARKS
1	03M7192	BOLT	AR		M10 X 30
2	N276152	SCREW	AR		
3	N372988	CHANNEL	1		
4	N372981	ANGLE	2		
5	N372957	BRACKET	1		LIGHT
6	AN276966	CHANNEL	1		COMPACTOR
7	N372995	CORNER	1		LH
8	N278680	ANGLE	1		
9	N274191	CHANNEL	2		
10	N275955	CHANNEL	1	-12230	LEFT CYLINDER, LH
	N373629	CHANNEL	1	12231-	
11	N275954	CHANNEL	1	-12230	LEFT CYLINDER, RH
	N373628	CHANNEL	1	12231-	
12	19M7785	SCREW	AR		M10 X 25
13	E63526	NUT	AR		
14	N372996	SCREEN	3		
15	19M7784	SCREW	3		M10 X 20
16	N275043	CHANNEL	1	-12230	RIGHT CYLINDER, LH
	N373631	CHANNEL	1	12231-	
17	N275042	CHANNEL	1	-12230	RIGHT CYLINDER, RH
	N373630	CHANNEL	1	12231-	
18	37M7086	SCREW	AR		M10 X 20
19	N372994	CORNER	1		RH
20	N14433	CLIP	3		
21	03M7184	BOLT	2		M8 X 20
22	H65107	GROMMET	9		
23	R66718	GROMMET	8		
24	N373036	COVER	2		
25	E63525	NUT	6		
26	AN274978	SHEAR PIN	2		
27	R65476	GROMMET	2		
28	N373236	COVER	2		(SUB FOR N372997)
29	N372983	PLATE	2		

# 160-51

BASKET

## BASKET LID EXTENSION - CONTINUED

KEY	PART NO.	PART NAME	QTY.	SERIAL NO.	REMARKS
1	N372768	ANGLE	4		
2	03M7190	BOLT	AR		M10 X 20
3	N372349	BRACKET	2		L.H.
	N372348	BRACKET	2		R.H.
4	N372353	CHANNEL	4		
5	AN277168	SCREW	4		ASSEMBLY
6	N372266	ANGLE	2		
7	N276160	SCREEN	6		
8	N276643	CHANNEL	2		
9	E63526	NUT	AR		
10	19M7944	SCREW	4		M10 X 120
11	24H1312	WASHER	4		13/32" X 1-3/8" X 0.105"
12	B28851	SPACER	4		
13	N372387	DEFLECTOR	2		
14	N372770	ANGLE	4		
15	19M7865	SCREW	AR		M8 X 16
16	E63525	NUT	AR		
17	N279383	COMPRESSION SPRING	2		
18	N372322	CORNER	1		
19	A11667	WASHER	4		
20	AN277159	NUT	4		ASSEMBLY
21	34H188	SPRING PIN	4		5/16" X 1-3/4"
22	N276167	CHANNEL	1		
23	N372323	CORNER	1		
24	N372321	ANGLE	1		

# 170-3

DECALS

---

DECALS - CONTINUED

KEY	PART NO.	PART NAME	QTY.	SERIAL NO.	REMARKS
1	N190806	LABEL	1		
2	N198934	LABEL	1		
3A	N372639	LABEL	2		(SUB N376063)
3B	N376063	LABEL	2		
4	N372738	LABEL	4		
5	N376052	LABEL	2		
6	N221921	LABEL	2		
7	N278983	LABEL	1		
8	N371983	LABEL	1		
9	N278307	LABEL	6		
10	H137201	LABEL	1		
11	N371326	LABEL	1		

# 170-13

DECALS

## SAFETY DECALS - CONTINUED

KEY	PART NO.	PART NAME	QTY.	SERIAL NO.	REMARKS
1	N372805	LABEL	1		
2	T146102	LABEL	1		
	T146106	SAFETY SIGN	1		(SPANISH)
	T146586	SAFETY SIGN	1		(PORTUGUESE)
	N278238	LABEL	1		(CHINESE)
	T146103	SAFETY SIGN	1		(ENGLISH)
	N278182	LABEL	1		(TURKISH)
3	N372425	SAFETY SIGN	1		
	N372732	SAFETY SIGN	1		(SPANISH)
	N372733	SAFETY SIGN	1		(PORTUGUESE)
	N372734	SAFETY SIGN	1		(GREEK)
	N372735	SAFETY SIGN	1		(RUSSIAN)
	N372736	SAFETY SIGN	1		(TURKISH)
	N372737	SAFETY SIGN	1		(CHINESE)
4	H202640	LABEL	1		
	N372811	LABEL	1		(SPANISH)
	N372812	SAFETY SIGN	1		(PORTUGUESE)
	N372813	LABEL	1		(TURKISH)
	N372814	SAFETY SIGN	1		(CHINESE)
5	N372779	LABEL	1		(SUB N374310)
	N374310	LABEL	1		
6	N196551	LABEL	1		
7	H161209	LABEL	1		
8	H161208	LABEL	1		
..	H165192	LABEL	1		FILTER TRAY - CHANGE FILTER EVERY 200 HOURS
..	H165193	LABEL	1		FILTER DOOR - CHANGE FILTER EVERY 50 HOURS

## NUMERICAL INDEX - CONTINUED

PART NO.	KEY	PAGE	PART NO.	KEY	PAGE	PART NO.	KEY	PAGE
AN278456	7	110-7	AP23771	1	70-2	AT173285	17	50-33
AN278457	15	85-17	AR100124	1	20-24	AT173288	1	50-33
AN278459	19	85-15	AR104516	11A	40-41	AT173289	3	50-33
AN278460	21	85-7	AR21969	..	20-39	AT173290	30	50-33
AN278460	16	85-15	AR21999	12	90-55	AT173292	11	50-29
AN278461	3	85-7	AR27806	1	80-15	AT179586	7	30-11
AN278461	15	85-15	AR27940	29	90-37	AT182717	13	50-41
AN278495	57	150-3	AR44402	1	20-39	AT182718	23	50-41
AN278544	15	70-23	AR49025	8	20-19	AT182719	16	50-41
AN278545	17	70-23	AR50411	1	40-3	AT182720	25	50-41
AN278545	2	150-17	AR54749	4	20-39	AT182724	8	50-41
AN278546	1	70-23	AR55394	16	20-29	AT182725	2	50-3
AN278546	1	150-17	AR55394	13	20-30	AT182725	..	50-41
AN278552	16	80-27	AR56766	16	90-37	AT182759	17	50-41
AN278553	16	80-27	AR58233	16	20-43	AT184869	18	60-25
AN278594	1	85-3	AR58952	36	20-5	AT185951	8	40-31
AN278615	3	40-2	AR58952	15	20-29	AT185951	14	40-31
AN278620	5	100-3	AR60372	4	100-1	AT186614	7	60-27
AN278658	4	80-3	AR61610	14	70-2	AT195302	1	60-3
AN278668	21	80-33	AR62492	8	40-3	AT196462	36	50-39
AN278668	21	80-35	AR65005	1	40-52	AT196462	45	50-39
AN278670	21	80-35	AR65006	2	40-52	AT196462	36	50-41
AN278691	..	170-16	AR69444	..	70-2	AT196462	42	50-41
AN278692	..	170-16	AR69445	..	70-2	AT207330	3	50-19
AN278693	..	170-16	AR73234	15	30-3	AT207952	8	40-31
AN278724	..	110-1	AR85519	20	30-13	AT209899	30	70-11
AN278884	4	40-2	AR86745	14	30-21	AT209899	..	70-11
AN278919	1	85-12	AR88903	9	30-15	AT209899	..	70-16
AN278919	..	85-12	AR91793	42	40-49	AT214807	11	50-33
AN278922	6	85-7	AR94522	13	130-11	AT214824	6	50-31
AN278922	17	85-15	AR94761	8	50-5	AT214826	4	50-31
AN278922	20	85-17	AR95758	13	30-3	AT214834	27	50-29
AN278923	5	85-7	AR95759	16	30-3	AT214853	2	50-37
AN278923	19	85-17	AR98850	8	20-10	AT214859	..	50-31
AN278925	17	85-5	AT100616	25	70-7	AT214865	6	50-27
AN278925	35	85-11	AT103919	2	90-69	AT214873	28	50-33
AN278942	5	85-1	AT107509	11	20-13	AT214874	26	50-33
AN278942	14	85-9	AT132220	4	50-29	AT216348	10	70-4
AN279158	18	85-15	AT13740	8	20-1	AT216348	6	70-11
AN279205	17	70-23	AT13740	4	20-3	AT216348	13	70-11
AN279316	25	60-21	AT13740	10	20-41	AT216348	..	70-11
AN279458	8	40-19	AT139434	7	70-4	AT216348	3	70-16
AN279458	12	40-19	AT139434	2	70-16	AT216348	11	70-16
AN279458	18	40-19	AT141987	8	90-29	AT216349	..	60-25
AN279467	1	40-17	AT150120	7	70-25	AT216349	29	70-11
AN279474	..	110-1	AT157547	2	160-23	AT216349	..	70-11
AN279521	1	85-12	AT158988	11	60-25	AT220839	33	50-41
AN279522	1	85-12	AT158988	..	60-25	AT22089	6	100-5
AN279557	10	110-21	AT162597	3	20-61	AT25226	5	80-17
AN279558	10	110-23	AT165490	17	85-15	AT25226	2	85-3
AN279609	14	140-15	AT167183	..	60-6	AT25264	6	30-22
AN279610	14	140-15	AT167553	7	70-25	AT25331	3	60-29
AN279626	1	85-12	AT172179	..	70-11	AT301492	22	140-9
AN279657	12	160-19	AT173172	7	50-41	AT32755	4	130-12
AN279658	1	160-19	AT173173	4	50-41	AT40603	14	50-9
AN279689	15	130-11	AT173174	13	50-31	AT43223	16	50-21
AN279700	9	80-15	AT173174	3	50-41	AT49216	22	70-11
AN279701	9	80-15	AT173176	17	50-33	AT56657	26	30-3
AN279703	1	85-3	AT173177	30	50-33	AT63480	1	40-10
AN279749	1	110-35	AT173178	19	50-33	AT66481	7	90-29
AN279771	27	110-33	AT173180	20	50-33	AT66481	8	90-29
AN279772	27	110-33	AT173181	21	50-33	AT66481	9	90-29
AN30975	..	140-3	AT173279	1	50-33	AT66865	4	20-39
AN31360	..	130-3	AT173279	14	50-41	AT69845	25	50-21
AN31361	..	130-3	AT173281	3	50-33	AT75387	1	80-19
AN31573	..	130-3	AT173283	7	50-29	AT75387	2	80-19
AN71326	7	60-33	AT173284	14	50-31	AU40993	18	85-19

# 190-17

9986 COTTON PICKER

## NUMERICAL INDEX - CONTINUED

PART NO.	KEY	PAGE	PART NO.	KEY	PAGE	PART NO.	KEY	PAGE
N277058	10	70-1	N278025	10	80-35	N278681	5	160-43
N277059	18	100-5	N278025	11	80-43	N278687	12	160-47
N277059	31	100-5	N278029	2	150-5	N278689	7	160-31
N277078	9	120-17	N278041	7	110-17	N278692	18	85-11
N277105	5	170-11	N278044	8	110-17	N278692	16	150-17
N277109	18	80-33	N278098	11	110-21	N278692	37	160-7
N277110	17	80-33	N278103	16	170-7	N278692	3	160-13
N277119	38	110-3	N278107	19	110-21	N278692	19	160-49
N277119	43	110-5	N278107	17	110-25	N278693	16	160-5
N277119	10	140-11	N278108	20	110-21	N278696	6	40-1
N277119	9	140-13	N278108	16	110-25	N278716	20	160-3
N277129	4	160-25	N278111	2	170-11	N278717	25	160-3
N277130	33	160-19	N278113	6	170-11	N278744	8	160-31
N277131	33	160-19	N278117	9	170-11	N278745	2	110-1
N277132	22	70-25	N278127	11	110-25	N278745	8	110-3
N277142	33	100-5	N278132	2	170-11	N278745	8	110-5
N277143	32	100-5	N278140	3	170-5	N278745	3	170-9
N277146	2	120-23	N278149	4	170-11	N278746	7	20-49
N277149	4	110-29	N278150	6	170-11	N278747	3	170-9
N277149	4	110-31	N278156	1	170-9	N278748	3	170-9
N277150	9	120-23	N278158	3	170-11	N278749	13	110-29
N277166	16	70-28	N278160	3	170-9	N278749	13	110-31
N277167	16	160-37	N278162	4	170-9	N278755	27	110-29
N277178	16	130-9	N278171	9	170-11	N278765	10	110-29
N277179	3	130-9	N278182	2	170-13	N278765	10	110-31
N277180	3	130-9	N278188	2	170-11	N278781	5	120-19
N277199	2	160-27	N278205	4	170-11	N278782	3	120-17
N277199	31	160-27	N278206	6	170-11	N278782	6	120-19
N277199	10	170-9	N278212	1	170-9	N278806	23	160-19
N277211	2	130-9	N278214	3	170-11	N278806	22	160-29
N277235	28	20-47	N278216	3	170-9	N278811	4	150-6
N277236	12	120-23	N278218	4	170-9	N278812	4	150-6
N277237	39	120-13	N278227	9	170-11	N278833	23	110-5
N277237	5	130-9	N278238	2	170-13	N278842	2	90-11
N277242	15	70-19	N278291	3	80-45	N278849	10	50-35
N277242	22	70-23	N278307	9	170-3	N278850	11	50-35
N277407	6	170-5	N278311	3	110-39	N278863	30	110-29
N277542	5	110-17	N278323	6	110-39	N278863	26	110-31
N277542	5	110-19	N278323	23	120-11	N278885	24	160-3
N277543	3	110-17	N278376	23	70-11	N278886	39	160-3
N277543	3	110-19	N278392	28	60-31	N278893	1	160-3
N277560	16	80-7	N278392	28	60-33	N278896	8	160-17
N277568	11	90-11	N278393	25	80-41	N278902	10	20-49
N277604	2	110-39	N278399	21	120-13	N278904	27	140-15
N277605	..	110-1	N278401	7	120-11	N278909	9	160-3
N277605	1	110-39	N278412	34	120-13	N278932	15	160-13
N277624	4	80-47	N278420	19	60-29	N278933	8	170-7
N277739	29	160-3	N278438	6	100-3	N278940	19	100-5
N277838	2	170-11	N278439	6	100-3	N278945	11	160-3
N277842	9	170-11	N278440	22	100-3	N278948	3	20-60
N277893	5	80-33	N278448	11	140-11	N278962	7	90-11
N277893	5	80-35	N278448	11	140-13	N278970	8	150-3
N277933	4	80-33	N278451	5	120-27	N278973	6	170-9
N277933	4	80-35	N278456	20	160-33	N278974	2	150-3
N277966	21	70-11	N278456	6	160-35	N278974	46	150-3
N277967	24	70-11	N278478	13	80-43	N278979	7	80-25
N277968	19	70-11	N278515	6	50-35	N278983	7	170-3
N277981	23	80-33	N278527	13	160-17	N278985	7	170-5
N277981	23	80-35	N278528	8	50-39	N278994	15	80-11
N277982	22	80-33	N278535	9	170-9	N278998	4	80-45
N277982	22	80-35	N278538	19	100-3	N278999	32	160-19
N277988	10	70-9	N278651	17	170-7	N279000	28	70-25
N278015	3	100-1	N278652	15	160-17	N279002	24	110-29
N278025	13	80-27	N278656	28	50-29	N279002	24	110-31
N278025	9	80-29	N278659	6	160-45	N279002	20	150-9
N278025	9	80-31	N278680	8	160-41	N279003	21	150-9
N278025	10	80-33	N278680	8	160-47	N279016	56	160-3

CLICK HERE TO **DOWNLOAD** THE COMPLETE MANUAL

- Thank you very much for reading the preview of the manual.
- You can download the complete manual from: [www.heydownloads.com](http://www.heydownloads.com) by clicking the link below



- Please note: If there is no response to CLICKING the link, please download this PDF first and then click on it.

CLICK HERE TO **DOWNLOAD** THE COMPLETE MANUAL