

9935 COTTON PICKER



JOHN DEERE

PARTS CATALOG

9935 COTTON PICKER

PC2447 (AUG-05) English

John Deere Des Moines Works

North American Edition

Litho in U.S.A. (Revised)

COPYRIGHT © 2005

DEERE & COMPANY

Moline, Illinois

All rights reserved

CLICK HERE TO **DOWNLOAD** THE COMPLETE MANUAL

- Thank you very much for reading the preview of the manual.
- You can download the complete manual from: www.heydownloads.com by clicking the link below



- Please note: If there is no response to CLICKING the link, please download this PDF first and then click on it.

CLICK HERE TO **DOWNLOAD** THE COMPLETE MANUAL

ALPHABETICAL INDEX - CONTINUED

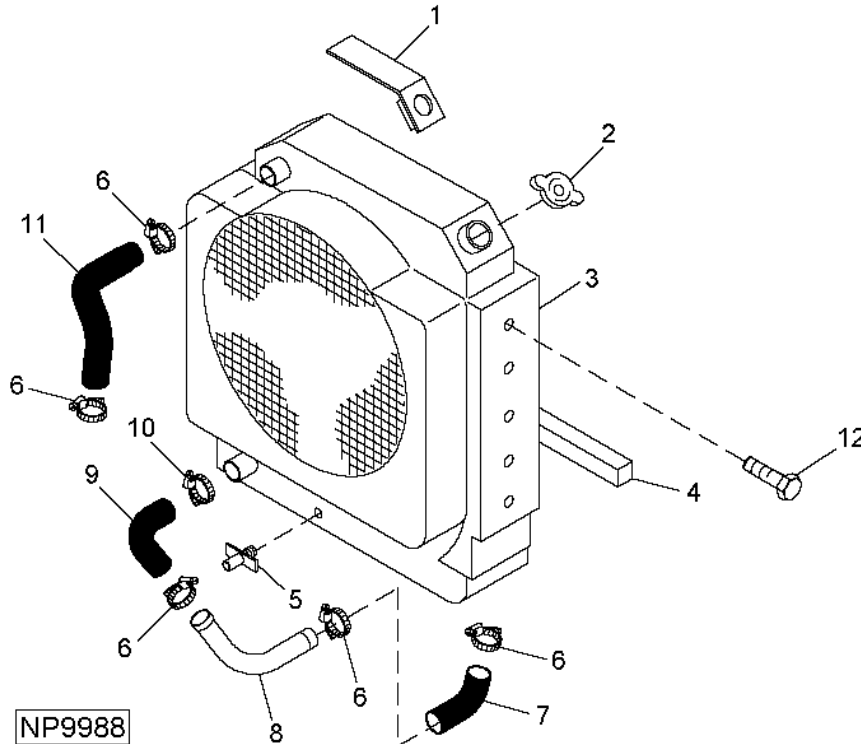
	PAGE		PAGE
F			
FAN AND FAN BELT, ENGINE	20 - 4	FRONT DRUM PRESSURE PLATE, PRO-12 - 18S (2001 -)	110 - 12
FAN BELTS	20 - 46	FRONT PLATE, ENGINE	20 - 15
FAN CONTROLLER ADAPTER	40 - 37	FRONT WHEEL SHIELD, LH.	80 - 24
FAN CONTROLLER CONNECTOR.	40 - 40	FRONT WHEEL SHIELD, RH	80 - 22
FAN DRIVE	20 - 48	FUEL FILTER	30 - 22
FAN DRIVE	20 - 50	FUEL FILTER	30 - 24
FAN DRIVE HOUSING	20 - 50	FUEL FILTER ELEMENT	30 - 22
FAN DRIVE HUB.	20 - 48	FUEL FILTER ELEMENT	30 - 24
FAN DRIVE HUB.	20 - 50	FUEL FILTER FUEL LINES	30 - 22
FAN DRIVE PULLEY	20 - 48	FUEL FILTER FUEL LINES	30 - 24
FAN DRIVE PULLEY	20 - 50	FUEL FILTER HEATER	30 - 22
FAN ENCLOSURE, BASKET FLOOR.	160 - 10	FUEL FILTER, WATER SEPARATOR	30 - 27
FAN ENGAGE ACTUATOR	150 - 8	FUEL GAUGE	40 - 24
FAN HOUSING	150 - 2	FUEL INJECTION LINES (LUCAS)	30 - 12
FAN IDLER AND LINKAGE (COTTON)	150 - 6	FUEL INJECTION LINES (STANADYNE)	30 - 14
FAN SHAFT, SHEAVE AND ROTOR	150 - 4	FUEL INJECTION NOZZLE	30 - 11
FEEDBACK LINK, HYDROSTATIC PUMP	50 - 26	FUEL INJECTION PUMP (LUCAS)	30 - 12
FIELD LAMPS	90 - 57	FUEL INJECTION PUMP (STANADYNE)	30 - 14
FILLER NECK, HYDRAULIC RESERVOIR	70 - 1	FUEL INJECTION PUMP COLD ADVANCE SWITCH	30 - 16
FILTER, AIR.	30 - 2	FUEL INJECTION PUMP DRIVE GEAR (LUCAS)	30 - 12
FILTER, CAB AIR	90 - 43	FUEL INJECTION PUMP GEAR (STANADYNE)	30 - 14
FILTER, CAB VENT	90 - 17	FUEL INJECTION PUMP SOLENOID WIRE HARNESS	30 - 16
FILTER, FUEL	30 - 22	FUEL INJECTION SYSTEM (LUCAS).	30 - 12
FILTER, FUEL	30 - 24	FUEL INJECTION SYSTEM (STANADYNE)	30 - 14
FILTER, GREASE	130 - 8	FUEL LINES,FUEL FILTER	30 - 22
FILTER, HYDRAULIC OIL.	70 - 4	FUEL LINES,FUEL FILTER	30 - 24
FILTER, WATER	140 - 8	FUEL TANK AND SENDER	30 - 6
FILTER, WATER SEPARATOR	30 - 27	FUEL TRANSFER PUMP	30 - 26
FINAL DRIVE GEAR AND AXLE	50 - 21	FUEL TRANSFER PUMP PUSH ROD.	30 - 26
FINAL DRIVE HOUSING, SHAFTS AND BEARINGS	50 - 22	FUSE AND RELAY BLOCK	40 - 44
FINGER GRATES, BASKET LID	160 - 14	FUSE BLOCK, CHASSIS WIRING	40 - 38
FIRE EXTINGUISHER	80 - 26	FUSES AND RELAYS, CONSOLE	40 - 10
FLANGE, PICKER BAR DRUM, IN-LINE (101 - 2000)	125 - 16	FUSES, RELAYS AND CIRCUIT BREAKERS	40 - 38
FLANGE, PICKER BAR DRUM, PRO-12 - 18S (2001 -)	120 - 18		
FLAP, DOFFER, IN-LINE (101 - 2000)	115 - 4	G	
FLAP, DOFFER, PRO-12 - 18S (2001 -)	110 - 4	GASKET SET, CYLINDER HEAD REMOVAL.	20 - 56
FLOOR CONNECTORS, CAB ELECTRICAL	40 - 41	GASKET SET, ENGINE MAJOR OVERHAUL	20 - 54
FLOOR MAT.	90 - 18	GASKET SET,IN CHASSIS OVERHAUL.	20 - 56
FLOOR SWITCH CONNECTOR, MOMENTARY	40 - 45	GASKET, CYLINDER HEAD	20 - 34
FLOOR, COTTON BASKET	160 - 10	GASKET, OIL PAN (ENGINE)	20 - 26
FLOOR, PLATFORM	90 - 1	GASKET, TIMING GEAR COVER (ENG. SER. NO. 900552-)	20 - 12
FLUID, TRANSMISSION	50 - 9	GASKET, TIMING GEAR COVER (ENG.SER.NO.-900551)	20 - 10
FLUSH WATER LINES AND FITTINGS	140 - 12	GASKET,EXHAUST MANIFOLD	30 - 10
FLYWHEEL HOUSING	20 - 53	GASKET,OIL PAN	20 - 28
FLYWHEEL RING GEAR	20 - 52	GASKET,PLASTIC	20 - 18
FLYWHEEL SHIELD (EUROPE)	20 - 6	GASKET,ROCKER ARM COVER.	20 - 8
FLYWHEEL, ENGINE.	20 - 52	GAUGE CLUSTER CONNECTOR	40 - 42
FOOT CONTROL SWITCH, COMPACTOR	40 - 7	GAUGE, WATER	140 - 1
FORK, SHIFT, TRANSMISSION UNIT DRIVE SHAFT.	50 - 17	GAUGES, DOFFER, IN-LINE (101-2000)	125 - 27
FRAME WEIGHTS	80 - 8	GAUGES, DOFFER, PRO-12 - 18S (2001 -)	120 - 25
FRAME, BASKET LID	160 - 12	GAUGES, MONITOR	40 - 24
FRAME, MAIN	80 - 1	GEAR AND AXLE, FINAL DRIVE.	50 - 21
FRAME, PICKING UNIT BOTTOM, IN-LINE (101 - 2000)	115 - 8	GEAR CASE HUB, LOWER, IN-LINE (101 - 2000).	125 - 8
FRAME, PICKING UNIT BOTTOM, PRO-12 - 18S (2001 -)	110 - 8	GEAR CASE HUB, LOWER, PRO-12 - 18S (2001 -)	120 - 6
FRAME, PLATFORM	90 - 2	GEAR CASE, LH UNIT DRIVE IN-LINE (101 - 2000)	125 - 4
FRAME, UNIT LIFT ARM	100 - 2	GEAR CASE, PICKING UNIT, PRO-12 - 18S (2001 -)	120 - 4
FRONT DRUM PRESSURE PLATE, IN-LINE (101 - 2000)	115 - 12		

20-1

ENGINE

RADIATOR AND HOSES (SERIAL NO. 101-4000)

NP9988 -UN-23NOV98



KEY	PART NO.	PART NAME	QTY.	SERIAL OR PROD. ID. NO.	REMARKS
1	N277430	COVER	1		
	N277431	PAD	1		RADIATOR SEAL
	R58666	ISOLATOR	2		BAFFLE
2	AN191560	FILLER CAP	1		
3	AN123640	RADIATOR	1		
4	SEAL	1		1-1/2" X 2" X 26-1/8", (MAKE FROM R30937)
5	AT13740	DRAIN VALVE	1		
6	TY22470	CLAMP	4		UPPER
7	N276709	HOSE	1		TO ENGINE
8	N276599	TUBE	1		
9	N276708	HOSE	1		TO RADIATOR
10	TY22472	CLAMP	1		LOWER
11	N221762	RADIATOR HOSE	1		UPPER, (SUB FOR N276710)
12	N71292	SELF-LOCKING SCREW	10		5/16" X 1/2"
..	ISOLATOR	2		(MAKE FROM 1" X 3.50" R30596)

20-11

ENGINE

TIMING GEAR COVER - CONTINUED
(ENGINE SERIAL NO. -900551)

KEY	PART NO.	PART NAME	QTY.	ENGINE SERIAL NO.	REMARKS
1	R136516	GASKET	1		(SUB FOR R134534)
2	R505462	COVER	1		(SUB FOR R134531) (SUB R504725 AND RE515978)
3A	R101085	DRAIN PLUG	1		(SUB RE501938, THIS APPLICATION) (WITHOUT TACHOMETER SENSOR)
3B	RE501938	PLUG	1		(WITHOUT TACHOMETER SENSOR)
4	51M7044	O-RING	1		17.300 X 2.200 MM
5	19M8317	SCREW	6		M8 X 40
	19M7801	SCREW	1		M8 X 60
	19M7867	SCREW	1		M8 X 25
	RE67239	SCREW	1		
6	19M8291	SCREW	1		M8 X 35
7	R121424	O-RING	1		
8	R121411	COVER	1		
9	19M7775	SCREW	3		M6 X 16
10	19M7801	SCREW	1		M8 X 60
11	RE516340	SEAL	1		(MARKED RE52346 OR RE50515) (SUB FOR RE59810)
12	R83169	VALVE	1	-889024	
13	T27658	SPRING	1	-889024	
14	A4827R	WASHER	1	-889024	
15	R91692	PLUG	1	-889024	OIL PRESSURE REGULATING
16	14M7296	FLANGE NUT	6		M10
17	19M7979	SCREW	2		M8 X 55
18	R123584	STUD	4		
19	R134518	STUD	2		

20-21

ENGINE

SHORT BLOCK - CONTINUED

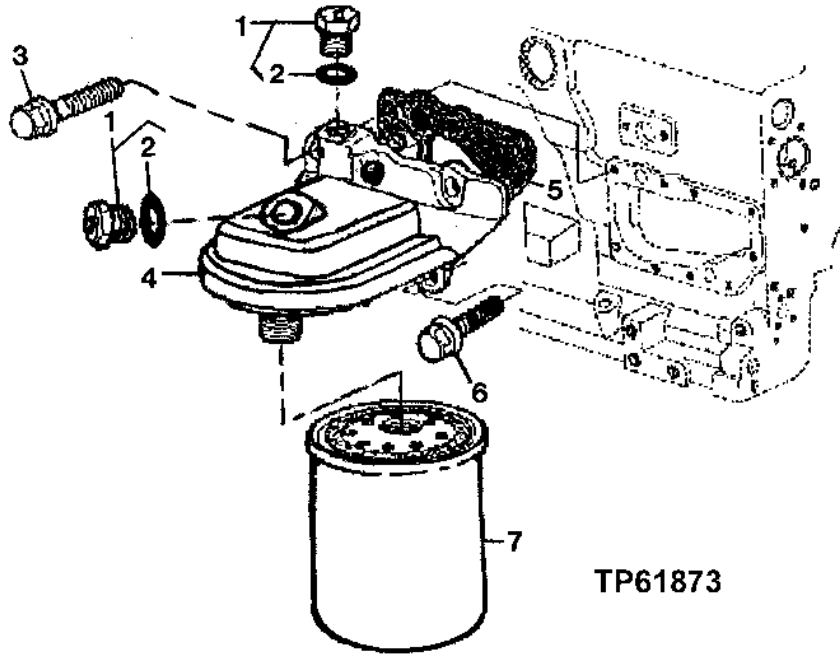
KEY	PART NO.	PART NAME	QTY.	ENGINE SERIAL NO.	REMARKS
1	RE516153	SHORT BLOCK ASSEMBLY	1		(PISTON MARKED RE515372) (INCLUDES RE526965) (SUB FOR RE65961)
	SE500736	COMPLETE BLOCK ASSEMBLY	1		(REMANUFACTURED) (INCLUDES CYLINDER HEAD, SHORT BLOCK, OIL PUMP AND GASKET KIT)

20-31

ENGINE

TP61873 -UN-24MAY99

OIL FILTER WITH ADAPTER
(SERIAL NO. XXXXXX-)



KEY	PART NO.	PART NAME	QTY.	ENGINE SERIAL NO.	REMARKS
1	RE52242	DRAIN PLUG	2		
2	51M7042	O-RING	2		
3	19M7802	SCREW	5		13.300 X 2.200 MM M8 X 65
4	RE71598	FILTER HEAD	1		
5	R501484	GASKET	1		
6	RE67238	SCREW	1		
7	RE59754	OIL FILTER	1		
	RE67764	OIL FILTER	1		(HIGH CAPACITY ALTERNATE FILTER)

20-41

ENGINE

THERMOSTAT AND COVERS - CONTINUED

KEY	PART NO.	PART NAME	QTY.	ENGINE SERIAL NO.	REMARKS
1	R131016	COVER	1		(SUB FOR R121416)
2	19M8292	SCREW	1		M10 X 50
3	R123323	CLAMP	1		
4	51M7041	O-RING	2		(SUB FOR RE46684, THIS APPLICATION)
5	19M7786	SCREW	1		M10 X 30
6	19M7788	SCREW	1		M12 X 25
7	RE506300	THERMOSTAT	1		(SUB FOR RE64354, THIS APPLICATION) 82° C (180° F)
8	R123226	SEAL	1		
9	R501144	TUBE	1		(SUB FOR R123588)
10	R502814	GASKET	1		(SUB FOR R135896)
11	R123324	CLAMP	1		
12	AH139059	TEMPERATURE SWITCH	1		TEMP
13	AH151124	SENSOR	1		COOLANT TEMP
14	19M7784	SCREW	1		M10 X 20
15	24H1305	WASHER	1		13/32" X 13/16" X 0.065"

20-51

ENGINE

FAN DRIVE,PULLEYS AND BELT TENSIONERS - CONTINUED

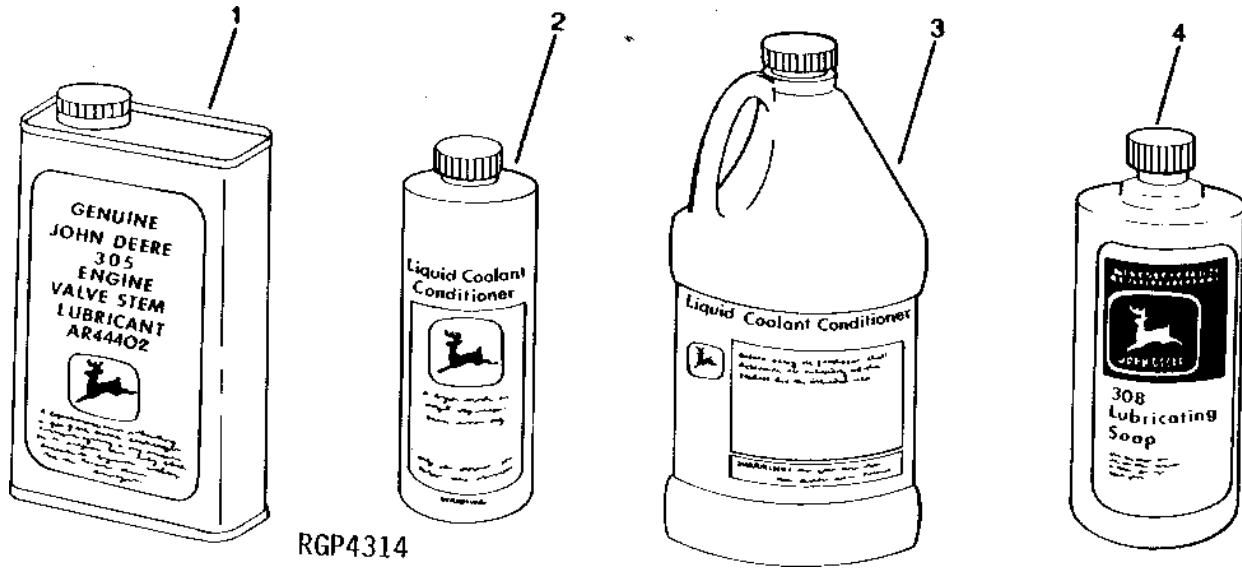
KEY	PART NO.	PART NAME	QTY.	ENGINE SERIAL NO.	REMARKS
1	R132168	SUPPORT	1		
2	19M7801	SCREW	1		M8 X 60
3	34M7061	SPRING PIN	1		8 X 20 MM
4	R500321	SPACER	1		(SUB FOR R132169)
5	RE70536	PULLEY	1		
6	19M8131	SCREW	1		M10 X 70, (SUB FOR 19M7810 AND 19M8340)
7	R503813	BOLT	1		LEFT HAND THREAD

20-61

ENGINE

COOLANT CONDITIONER AND ENGINE PART LUBRICANTS

RGP4314 -UN-01JAN94



KEY	PART NO.	PART NAME	QTY.	SERIAL NO.	REMARKS
1	AR44402	OIL	1		.473 ML (32 OZ.) CAN
2	TY16004	ENGINE COOLANT CONDITIONER	1		0.472 L (16 OZ.)
3	TY16005	ENGINE COOLANT CONDITIONER	1		1.9 L (1/2 GAL.)
4	AR54749	LUBRICANT	1		.9 L (1 QT.) CAN

30-5

FUEL AND AIR

EXHAUST PIPE, ASPIRATOR AND PRE-CLEANER - CONTINUED

KEY	PART NO.	PART NAME	QTY.	SERIAL OR PROD. ID. NO.	REMARKS
1	N10219	SELF-LOCKING SCREW	2		
2	R32235	CLAMP	1		
3	TY22467	CLAMP	1		
4	R31142	SEALING WASHER	1		
5	N277446	EXHAUST PIPE	1		
6	AN274832	ASPIRATOR	1		WELDED ASSEMBLY, (INCLUDES AN122823 AND N277443)
7	AN192830	PRECLEANER	1		
8	AN274367	FLANGE	1		
9	AN274373	TUBE	1		EXHAUST
10	RE40048	CLAMP	1		
11	N195253	HOSE	1		1-1/4" X 56", (MAKE FROM TY22332)
12	AR21839	CLAMP	2		
13	N166555	SCREW	4		NO. 10 X 1/2

30-15

FUEL AND AIR

**FUEL INJECTION SYSTEM
(12 VOLT STANADYNE DB4)
(ENGINE SERIAL NO.766837-)**

KEY	PART NO.	PART NAME	QTY.	SERIAL NO.	REMARKS
1	AR85519	PLUG	2		
2	R67364	ELBOW FITTING	1		
3	RE70848	FUEL LINE	1		LEAK OFF
4	RE68748	TUBE	4		
5	RE19797	CLAMP	5		
6	19M7923	CAP SCREW	5		M6 X 12
7	RE60055	FUEL LINE	1		NO. 1
8	RE60056	FUEL LINE	1		NO. 2
9	RE518595	FUEL LINE	1		(SUB FOR RE60057) NO. 3
10	RE518596	FUEL LINE	1		(SUB FOR RE60058) NO. 4
11	RE518597	FUEL LINE	1		(SUB FOR RE60059) NO. 5
12	RE518598	FUEL LINE	1		(SUB FOR RE60060) NO. 6
13	R123593	TUBE NUT	2		
14	R132267	GEAR	1		(60 TEETH)
15	R132874	WASHER	1		
16	R91360	NUT	1		
17	19M7923	CAP SCREW	2		M6 X 12
18	R116386	STUD	3		
19	RE19799	CLAMP	1		
20	RE19800	CLAMP	1		
21	51M7040	O-RING	1		9.300 X 2.200 MM
22	RE60029	ADAPTER	1		
23	14M7273	NUT	3		M8
24	26H10	SHAFT KEY	1		
25	RE501302	FUEL INJECTION PUMP	1		(A)
	SE500682	FUEL INJECTION PUMP	1		(A) (REMANUFACTURED)
26	19M7865	SCREW	1		M8 X 16
27	R116116	BRACKET	1		
28	T14050	CLAMP	1		
29	14M7298	FLANGE NUT	1		M8
30	T27860	WASHER	3		
31	12M7065	LOCK WASHER	3		
32	R502076	BACK-UP RING	1		(SUB FOR R89944)
33	R51936	SEALING WASHER	3		

(A) SEE YOUR AUTHORIZED PUMP REPAIR STATION FOR INTERNAL PARTS

30-25

FUEL AND AIR

FUEL FILTER AND FUEL LINES - CONTINUED

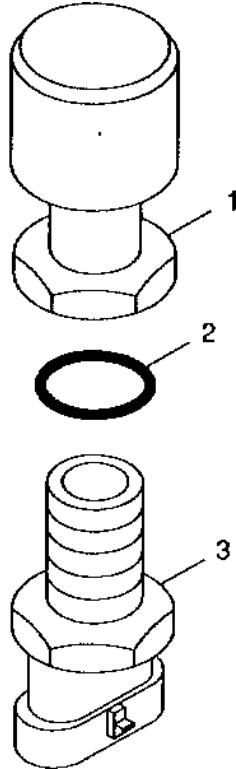
KEY	PART NO.	PART NAME	QTY.	ENGINE SERIAL NO.	REMARKS
1	RE51649	SEAL KIT	1		MECHANICAL
2	RE60037	FUEL LINE	1		
3	51M7040	O-RING	1		
4	RE59487	FITTING	2	-706976	SAE
	RE60029	ADAPTER	2	706977-	METRIC
5	RE56323	PLUG	2	-706976	SAE
	RE46686	PLUG	2	706977-	METRIC
6	R113565	SEAL	1		
7	HOSE	1		(MAKE FROM R126086) CUT TO LENGTH
8A	19M7785	SCREW	2	-795805	M10 X 25
8B	19M8328	SCREW	2	795806-	M10 X 25
9	RE50752	SEAL KIT	1		(SUB RE516553) FUEL FILTER
10	RE62418	FUEL FILTER	1		(INCLUDES DRAIN VALVE)
11	RE63181	FILTER HEAD	1	-706976	(SUB RE500160) SAE
	RE60022	FILTER HEAD	1	706977-	(SUB RE70358) METRIC
12	RE60007	FUEL LINE	1		
13	14M7298	FLANGE NUT	1		M8
14	T14050	CLAMP	1		
15	R116116	BRACKET	1		
16	19M7865	SCREW	1		M8 X 16
17	RE60854	KIT	1		PLUG AND DRAIN
18	T13254	CLAMP	1		
19	RE500160	KIT	1	-706976	FINAL FILTER SAE
	RE70358	KIT	1	706977-	FINAL FILTER METRIC
20	24M7096	WASHER	2	795806-	
21	R74012	SEALING WASHER	4		

40-7

ELECTRICAL

NP5687 -UN-01JAN94

COMPACTOR SWITCH



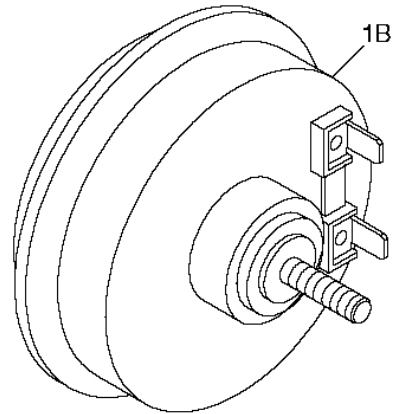
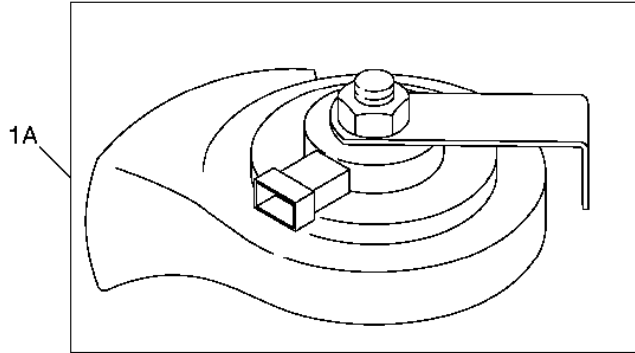
KEY	PART NO.	PART NAME	QTY.	SERIAL OR PROD. ID. NO.	REMARKS
1	RE43637	ACTUATOR	1		FOOT CONTROL
2	51M7042	O-RING	1		
3	RE46534	SWITCH	1		FOOT CONTROL

40-27

ELECTRICAL

NP10420 -UN-03MAY99

HORN



NP10420

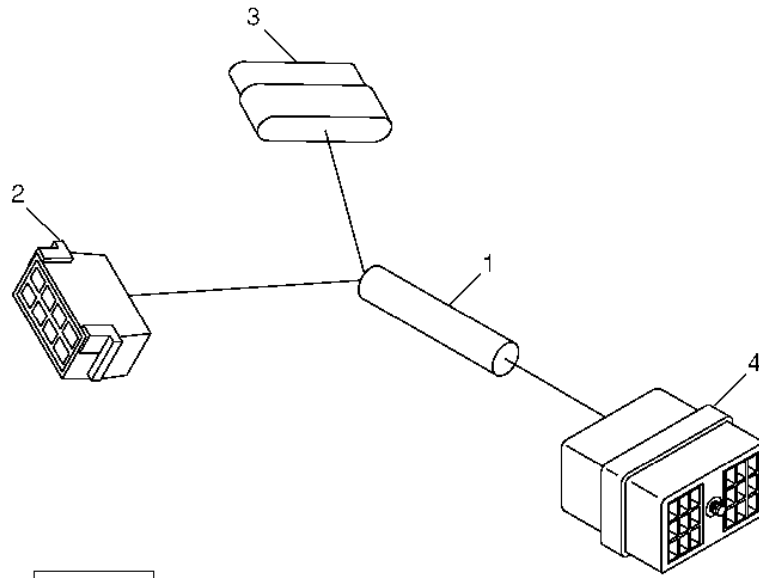
KEY	PART NO.	PART NAME	QTY.	SERIAL OR PROD. ID. NO.	REMARKS
1A	AN274478	HORN	1		(SUB RE159897(HORN) AND AN275902 (WIRING HARNES))
1B	AL114614	HORN	1		(SUB FOR RE159897)

40-37

ELECTRICAL

FAN CONTROLLER ADAPTER

NP10005 -UN-23NOV98



NP10005

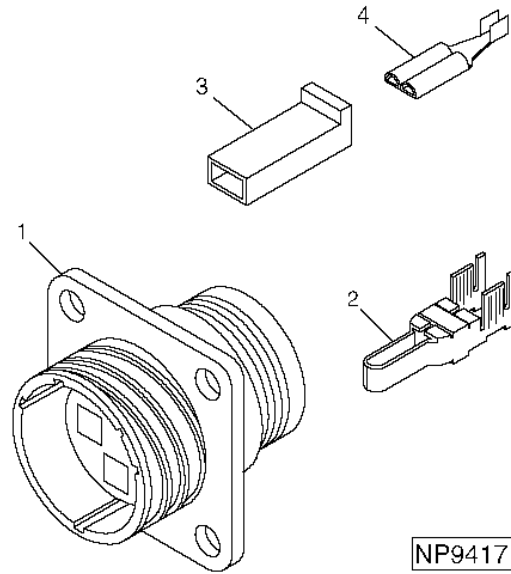
KEY	PART NO.	PART NAME	QTY.	SERIAL OR PROD. ID. NO.	REMARKS
1	AN275806	WIRING HARNESS	1		(SUB FOR AN275247)
	AN276416	CONTROL	1		(SUB FOR AN275205 OR AN275739)
2	CONNECTOR	1		CONSOLE HARNESS
3	CONNECTOR	1		FAN CONTROLLER DIAGNOSTICS
4	CONNECTOR	1		FAN CONTROLLER

40-47

ELECTRICAL

MICROSWITCH AND AUXILIARY PLUG CONNECTORS

NP9417 -UN-16JUL98



KEY	PART NO.	PART NAME	QTY.	SERIAL OR PROD. ID. NO.	REMARKS
1	57M7390	ELEC. CONNECTOR TERMINAL	1		AUX. POWER PLUG
2	57M7601	ELEC. CONNECTOR TERMINAL	AR		AUX. POWER PLUG
3	57M7870	ELEC. CONNECTOR TERMINAL	1		MICRO-SWITCH (IN CONSOLE TOP)
4	57M7876	ELEC. CONNECTOR TERMINAL	1		MICRO-SWITCH

50-7

POWER TRAIN

HYDROSTATIC CONTROL CABLE - CONTINUED

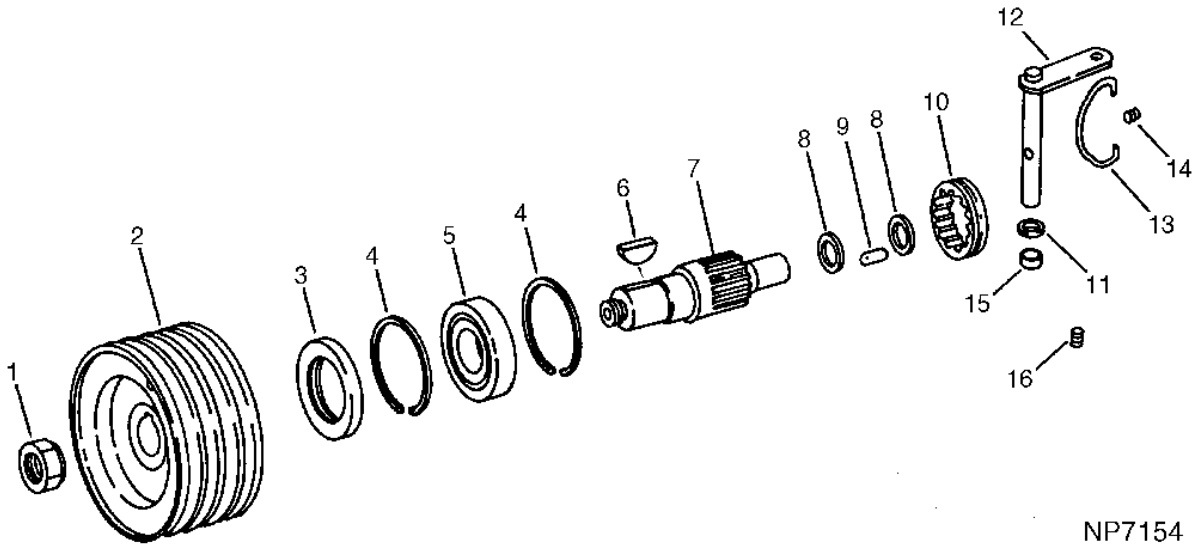
KEY	PART NO.	PART NAME	QTY.	SERIAL OR PROD. ID. NO.	REMARKS
1	M116256	BALL JOINT	1		
2	14M7272	NUT	3		M6
3	19M8320	SCREW	1		M10 X 45
4	T105253	CLAMP	2		
5	E63526	NUT	3		
6	N192136	BOOT	1		
7	AN274434	PUSH PULL CABLE	1		
8	H65107	GROMMET	1		
9	19M7785	SCREW	2		M10 X 25
10	H75541	CLAMP	2		

50-17

POWER TRAIN

TRANSMISSION UNIT DRIVE SHAFT AND BEARINGS

NP7154 -UN-05SEP96



NP7154

KEY	PART NO.	PART NAME	QTY.	SERIAL OR PROD. ID. NO.	REMARKS
1	BT573A	NUT	1		1-1/2"
2	N199390	PULLEY	1		
3	AN193671	SEAL	1		
4	N197453	SNAP RING	2		
5	AN272688	ROLLER BEARING	1		
6	26H41	SHAFT KEY	1		5/16" X 2-1/8"
7	N196856	SHAFT	1		
8	R70112	THRUST WASHER	2		
9	R70115	NEEDLE ROLLER	26		
10	N272479	SHIFT COLLAR	1		
11	AF2907R	SEAL	1		
12	AN193338	SHAFT	1		
13	N196864	FORK	1		
14	22H983	SET SCREW	1		7/16" X 1/2"
15	T12083	PLUG	1		
16	AN193344	PLUNGER	1		BALL DETENT
..	T43512	SEALANT	1		

50-27

POWER TRAIN

HYDROSTATIC PUMP HOUSING, SWASHPLATE AND CYLINDER BLOCK - CONTINUED

KEY	PART NO.	PART NAME	QTY.	SERIAL OR PROD. ID. NO.	REMARKS
1	AN220419	PISTON	9		
2	N220940	GUIDE	1		SLIPPER
3	BEARING	2		SLIPPER GUIDE
4	SPACER	4		
5	T157502	WASHER	4		
6	T157503	SCREW	4		
7	PLATE	1		SPRING SEAT
8	SPRING	1		
9	RETAINER	1		SPRING
10	RING	1		RETAINING
11	AN220414	CYLINDER	1		BLOCK ASSEMBLY
12	KIT	1		CYLINDER BLOCK
13	PLATE	1		VALVE
14	HOUSING	1		VARIABLE
15	H63245	PIN	2		
16	T155936	PIN	2		
17	R151062	BEARING	1		
18	RE159656	PIN	1		CAGE LOCATOR, (SUB FOR AT173179)
19	R151065	LINK	1		CAGE LOCATOR
20	R151066	SPRING	1		
21	R151075	CLAMP	1		SLIDER
22	SCREW	1		
23	SCREW	1		
24	LINK	1		FEEDBACK
25	ARM	1		SERVO
26	PIN	1		
27	T24199	WASHER	1		
28	GUIDE	1		SWASHPLATE
29	SWASH PLATE	1		VARIABLE
30	SWASH PLATE	1		VARIABLE, ASSEMBLY

50-37

POWER TRAIN

HYDROSTATIC PUMP AUXILIARY PUMP MOUNTING - CONTINUED

KEY	PART NO.	PART NAME	QTY.	SERIAL OR PROD. ID. NO.	REMARKS
1	T54967	FITTING PLUG	1		
2	REDUCER	1		
3	T155677	KEY	1		
4	T155678	DRIVE SHAFT	1		CHARGE PUMP
5	R151080	PIN	1		
6	RE151079	PUMP	1		CHARGE PUMP SET
7	R151082	COUPLING	1		
8	N203486	BUSHING	1		
9	AN220423	COVER	1		
10	N203952	O-RING	1		
11	ADAPTER	1		
12	T155964	WASHER	4		
13	R151085	SCREW	4		
14	N203492	O-RING	1		
15	FLANGE	1		AUXILIARY
16	PLATE	1		
17	T155680	SCREW	6		
18	R110296	COVER	1		
19	SCREW	2		

60-7

STEERING AND BRAKES

HYDRAULIC STEERING LINES AND HOSES - CONTINUED

KEY	PART NO.	PART NAME	QTY.	SERIAL OR PROD. ID. NO.	REMARKS
1	RE155989	HYDRAULIC CYLINDER	2		(SUB FOR RE62060) (SUB RE178676)
	RE178676	HYDRAULIC CYLINDER	2		
2	51M7041	O-RING	2		
3	51M7043	O-RING	2		
4	38H5002	ADAPTER	2		
5	38H5026	ELBOW FITTING	2		
6	T77613	O-RING	22		
7	AN194009	HYDRAULIC HOSE	2		11/16" X 616 MM (24-1/4") X 11/16"
8	AT117561	HYDRAULIC HOSE - FABRICATE	1		11/16" X 1 118 MM (44") X 11/16"
9	AN273997	HYDRAULIC HOSE	1		11/16" X 1 200 MM (47-1/4") X 11/16"
10	38H1030	TEE FITTING	2		
11	38H1285	UNION FITTING	2		
12	AN273860	OIL LINE	1		
13	AN273861	OIL LINE	1		
14	AN273829	OIL LINE	1		
15	AN273828	OIL LINE	1		
16	AN194094	HYDRAULIC HOSE	2		11/16" X 787 MM (31") X 11/16"
17	AN194095	HYDRAULIC HOSE	2		11/16" X 830 MM (32-3/4") X 11/16"
18	38H1010	ELBOW FITTING	2		
19	R26448	O-RING	4		
20	38H1171	ADAPTER	2		
21	AN273827	OIL LINE	1		
22	AN273830	OIL LINE	1		
23	T77857	O-RING	2		
24	38H1174	ADAPTER	2		
25	R26906	O-RING	2		

60-17

STEERING AND BRAKES

BRAKE SHOES AND DRUM - CONTINUED (R.H. ILLUSTRATED)

KEY	PART NO.	PART NAME	QTY.	SERIAL OR PROD. ID. NO.	REMARKS
1	SNAP RING	1		
2	WASHER	1		
3	CAM	1		
4	LEVER	1		
5	SPRING	1		
6	BOLT	1		(ANCHOR PIN)
7	AH131058	KIT	1		RH
	AH131059	KIT	1		LH
8	SPRING	1		(UPPER SHOE-TO-SHOE)
9	LINK	2		
10	SPRING	2		(LOWER SHOE-TO-SHOE)
11	SPRING	2		(HOLD DOWN)
12	AH131051	KIT	1		
13	COVER	1		(RUBBER)
14	PIN	1		
15	CABLE	1		
16	GUIDE	1		
17	SPRING	1		
18	PAWL	1		(ADJUSTER)
19	AH131054	KIT	1		RH
	AH131055	KIT	1		LH
20	WHEEL	1		
21	SCREW	1		
22	CE18206	BRAKE DRUM	2		
23	B32564	RING	2		
24	AH132840	BRAKE SHOE	1		RH AND LH (SET OF 4)
25	19M7597	CAP SCREW	5		M20 X 50
26	N12679	WASHER	5		
27	H133351	GUIDE	2		
28	AH149829	KIT	1		BACKING PLATE
29	AH128723	BRAKE	1		(CABLE)
30	AH128840	OIL LINE	1		RH
	AH128841	OIL LINE	1		LH
31	AN274304	BRAKE	1		RH
	AN274305	BRAKE	1		LH

70-9

HYDRAULIC SYSTEM

LUBRICATION PUMP HYDRAULIC SYSTEM - CONTINUED

KEY	PART NO.	PART NAME	QTY.	SERIAL OR PROD. ID. NO.	REMARKS
1	T77858	O-RING	1		
2	38H1473	REDUCER	1		
	38H1356	TUBE NUT	1		
3	T77613	O-RING	10		
4	AN274345	LINE	1		
5	AN274344	LINE	1		
6	AN274346	LINE	1		
7	W42417	PLUG	2		
8	AH75167	HYDR. QUICK COUPLER SOCKET	2		
9	R26375	O-RING	6		
10	38H1068	ADAPTER	2		
11	T77857	O-RING	2		
12	38H1275	ADAPTER	2		
13	N278950	PLATE	1		(SUB FOR N194799)
14	24H1939	WASHER	2		27/32" X 1-3/8" X 0.120"
15	AN274347	LINE	1		
16	38H1205	TEE FITTING	2		
17	AN275235	LINE	1		
18	38H1160	ADAPTER	4		
19	AN274349	LINE	1		
20	AN272657	OIL LINE	1		
21	N279033	ORIFICE	1		0.042"
22	38H1094	ELBOW FITTING	1		
23	R26448	O-RING	2		
24	AN274011	PUMP	1		LUBRICATION
	AN274479	SEAL KIT	1		
25	AN277616	SOLENOID VALVE	1		(SUB FOR AN275919) (SEE HYDRAULIC VALVE)
26	T78716	NUT	2		
**	BN272262	COMPLETE GOODS/SHIP. BUNDLE	1		LUBRICATOR TRANSFER PUMP

70-19

HYDRAULIC SYSTEM

HYDRAULIC PUMP SEAL KIT - CONTINUED

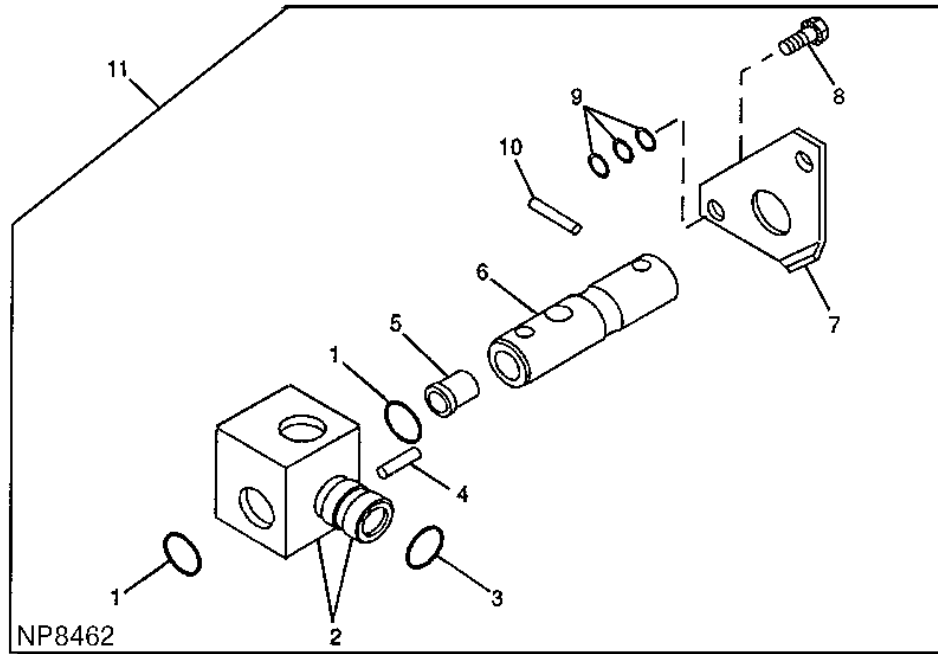
<i>KEY</i>	<i>PART NO.</i>	<i>PART NAME</i>	<i>QTY.</i>	<i>PUMP SERIAL NO.</i>	<i>REMARKS</i>
1	RE43836	SEAL KIT	1		

70-29

HYDRAULIC SYSTEM

BASKET INTERLOCK VALVE

NP8462 -UN-03JUL97



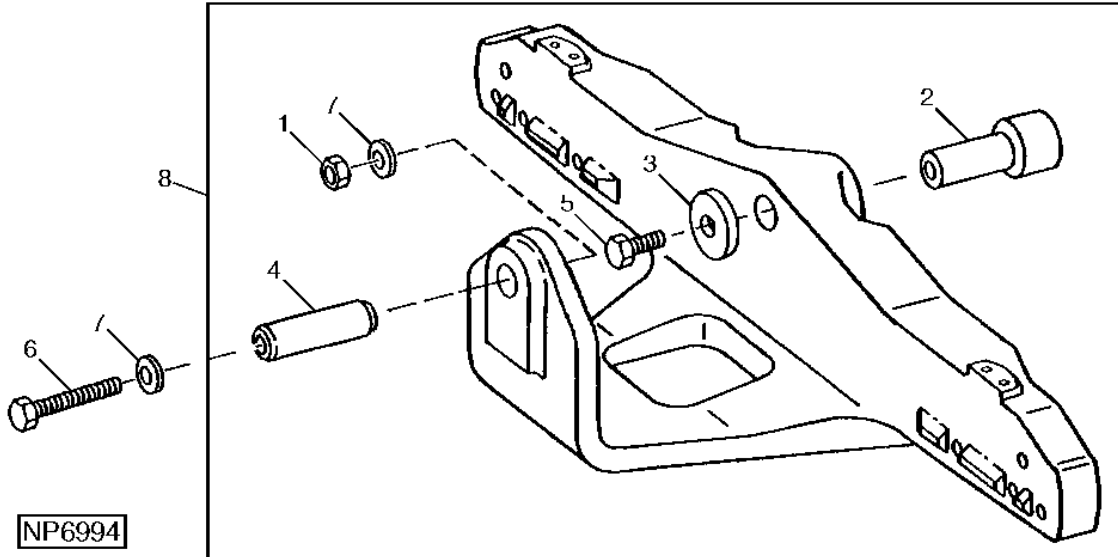
KEY	PART NO.	PART NAME	QTY.	SERIAL OR PROD. ID. NO.	REMARKS
1	R375R	O-RING	2		
2	VALVE	1		
3	R26375	O-RING	1		
4	34H243	SPRING PIN	2		1/8" X 1/2"
5	15H558	PIPE PLUG	1		1/8"
6	SPOOL	1		
7	N199688	DETENT	1		
8	N10216	SELF-LOCKING SCREW	2		1/4" X 3/4"
9	24H1286	WASHER	6		9/32" X 1/2" X 1/16"
10	34H266	SPRING PIN	1		5/32" X 1"
11	AN123716	VALVE	1		
	R27448	NUT	1		

80-9

WHEELS, REAR AXLES AND SHEET METAL

REAR AXLE CENTER

NP6994 -UN-14MAR96



KEY	PART NO.	PART NAME	QTY.	SERIAL OR PROD. ID. NO.	REMARKS
1	14M7277	NUT	1		M20
2	R111398	PIN	1		
3	R116440	BUSHING	1		
4	R73635	BUSHING	1		
5	19M8639	CAP SCREW	1		M20 X 70
6	19M8503	CAP SCREW	1		M20 X 160
7	24H1410	WASHER	2		13/16" X 2-7/16" X 1/4"
8	RE67366	REAR AXLE	1		(MARKED R132030)

CLICK HERE TO **DOWNLOAD** THE COMPLETE MANUAL

- Thank you very much for reading the preview of the manual.
- You can download the complete manual from: www.heydownloads.com by clicking the link below



- Please note: If there is no response to CLICKING the link, please download this PDF first and then click on it.

CLICK HERE TO **DOWNLOAD** THE COMPLETE MANUAL

80-19

WHEELS, REAR AXLES AND SHEET METAL

MEMORANDA

PLATFORM FRAME - CONTINUED

KEY	PART NO.	PART NAME	QTY.	SERIAL OR PROD. ID. NO.	REMARKS
1	N272749	SUPPORT	1		
2	N221247	SUPPORT	2		
3	N197555	ANGLE	2		
4	N196130	SPACER	4		
5	N198166	STRAP	1		
6	N197013	STRAP	2		
7	N275738	ANGLE	1		LH
8	AN273620	SUPPORT	1		
9	N276204	ANGLE	1		RH
10	N275762	CHANNEL	1		
11	E63527	NUT	1		M12
12	N276876	ANCHOR	1		
13	N275653	ANGLE	1		
14	19M7788	SCREW	1		M12 X 25
15	N198631	CLAMP	2		
16	N275739	ANGLE	1		LH
17	AN273621	SUPPORT	1		LH
18	N277340	ANGLE	1		
19	N197554	ANGLE	1		BRAKE SPRING
20	N220621	BRACKET	1		OIL FILTER
21	19M7785	SCREW	AR		M10 X 25
22	E63526	NUT	AR		M10
23	19M7784	SCREW	AR		M10 X 20
24	N192112	ANGLE	2		
25	H135156	CLAMP	6		
26	MOLDING	2		(MAKE FROM N155090)
27	24H1305	WASHER	1		13/32" X 13/16" X 0.065"
28	N276188	SUPPORT	1		
29	N277065	ANGLE	1		
30	N275725	ANGLE	1		RH
31	N275724	CHANNEL	1		RH
32	AN273609	CHANNEL	1		
33	N199651	ANGLE	1		
..	ISOLATOR	1		3.25", (MAKE FROM T30865)

90-23

OPERATOR'S STATION

CONSOLE ASSEMBLY - CONTINUED

KEY	PART NO.	PART NAME	QTY.	SERIAL OR PROD. ID. NO.	REMARKS
1	37M7090	SCREW	AR		M6 X 16
2	N199706	SHEET	1		CONSOLE SIDE
3	N202894	PLUG	AR		UNUSED OPENINGS
4	N202893	BEZEL	2		END GANG MOUNT
5	N203159	BEZEL	1		CENTER GANG MOUNT
6	AN195155	CONSOLE	1		TOP
7	AH104259	ASHTRAY	1		
8	N220758	PANEL	1		CONSOLE BACK
9	AN275219	CONSOLE	1		(SUB FOR AN273987)
10	N199730	STRAP	1		
11	N203086	SHEET	1		CONSOLE SIDE
12	19M7785	SCREW	2		M10 X 25
	19M7784	SCREW	6		M10 X 20, CONSOLE TO FLOOR
13	E63526	NUT	8		M10
14	N275278	CHANNEL	2		
15	MOLDING	1		(MAKE FROM 3" N155090)
16	N203374	ISOLATOR	1		
**	N278373	LABEL	1		CONSOLE TOP

90-33

OPERATOR'S STATION

ARMREST - CONTINUED (PERSONAL-POSTURE™ SEAT)

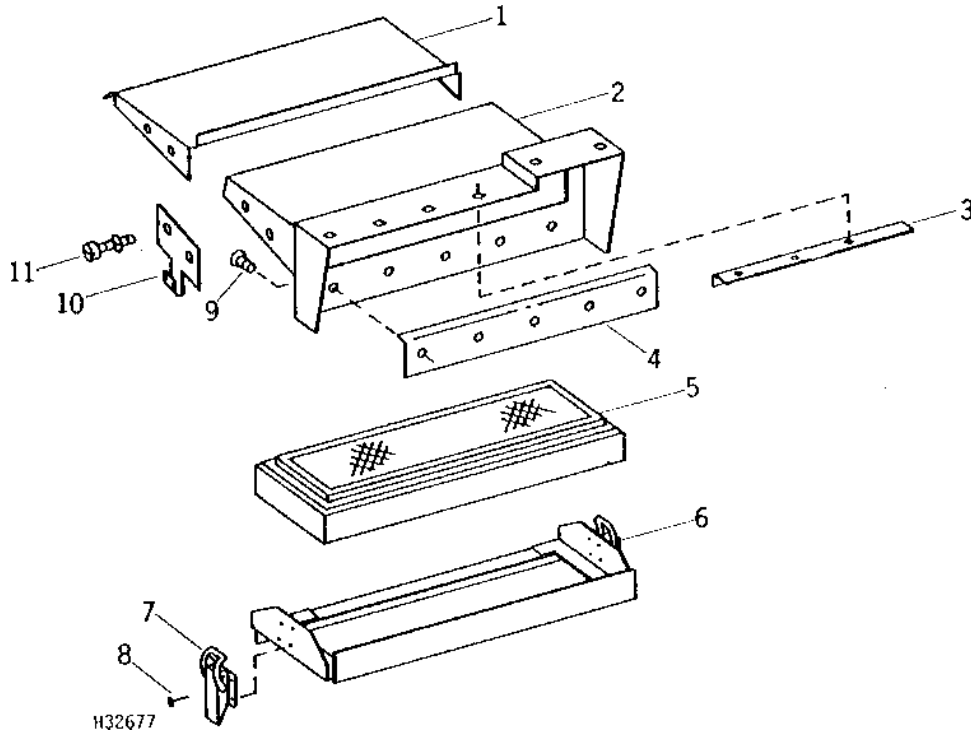
KEY	PART NO.	PART NAME	QTY.	SERIAL OR PROD. ID. NO.	REMARKS
1	R59280	CUSHION	1		RH
	R59025	CUSHION	1		LH
2	R58817	ARMREST	1		RH
	R107823	ARMREST	1		LH
3	R59320	SHAFT KEY	1		RH
	R59070	BOLT	1		LH
4	R59028	BUSHING	2		
5	A4741R	SPRING	2		
6	R59029	KNOB	2		
7	R59183	PIN FASTENER	1		RH
	R59021	PIN FASTENER	1		LH
8	14H732	NUT	2		3/8"
9	12H304	LOCK WASHER	2		3/8"
10	24H1302	WASHER	2		13/32" X 11/16" X 0.035"
11	R59020	LINK	2		FRONT
12	R61862	PLATE	2		RH
13	03H2275	BOLT	1		3/8" X 5/8", LH
	10H1026	BOLT	1		3/8" X 1", RH
14	R59022	SCREW	4		
15	R27441	WASHER	4		
16	R53670	WELD NUT	2		
17	R59013	LINK	2		REAR
18	R59023	PIN FASTENER	2		
19	R53668	THRUST WASHER	2		
20	R53670	WELD NUT	2		
21	R117675	WASHER	1		

90-43

OPERATOR'S STATION

CAB AIR FILTER AND HOUSING

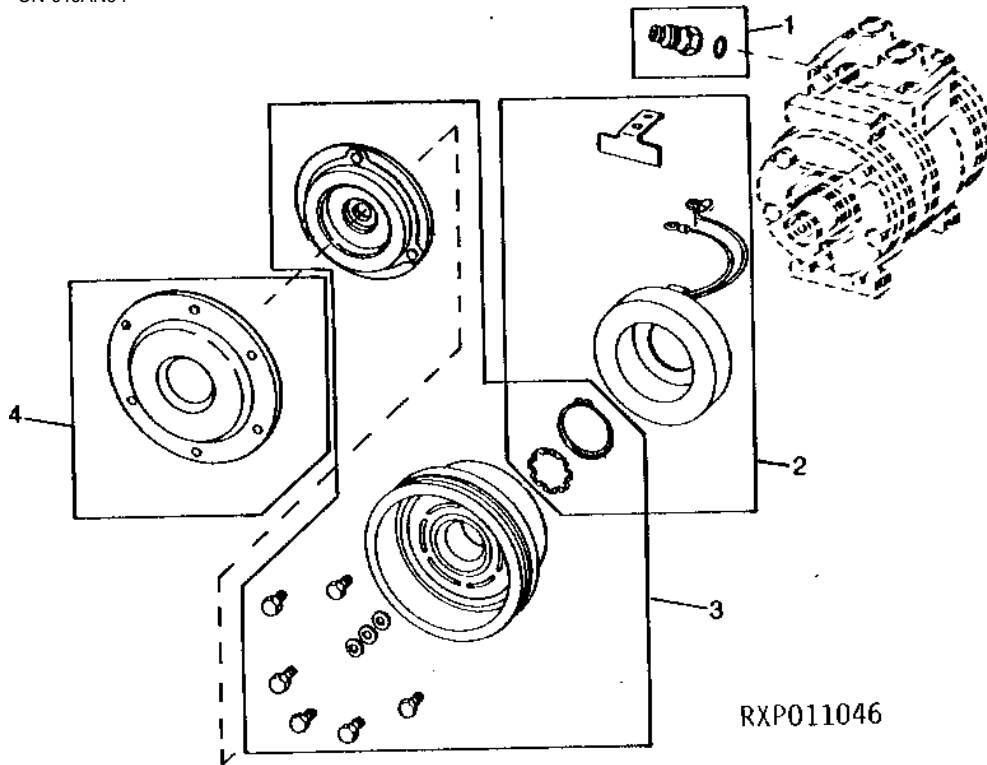
H32677 -UN-01JAN94



KEY	PART NO.	PART NAME	QTY.	SERIAL OR PROD. ID. NO.	REMARKS
1	H101655	SUPPORT	1		
2	H93983	HOUSING	1		
3	H101656	REINFORCEMENT	1		
4	H102299	REINFORCEMENT	1		
5	RE12793	AIR FILTER	1		
6	AH96291	FRAME	1		
7	H97643	LATCH	2		
8	H64584	RIVET	8		
9	R68332	RIVET	1		
10	H97646	SUPPORT	2		LATCH
11	21H1019	SCREW	4		0.190" X 1/2"
	12H246	LOCK WASHER	4		0.190"
	14H778	NUT	4		0.190"

RXP011046 -UN-01JAN94

COMPRESSOR CLUTCH/STATOR/DUST COVER



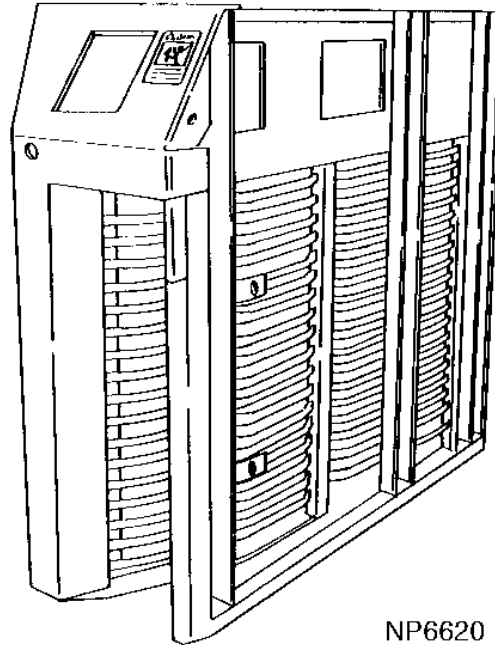
KEY	PART NO.	PART NAME	QTY.	SERIAL OR PROD. ID. NO.	REMARKS
1	RE52506	FLOW CONTROL HYD. VALVE	1		
2	RE52510	STATOR	1		
3	RE52508	KIT	1		
4	R115743	COVER	1		

110-1

PICKING UNIT CABINET (PRO-12 - 18S)

PICKING PRO-UNIT HOUSING AND
COMPLETE REPAIR UNITS
PRO-12 - 18S
(PIN 2001 -)

NP6620 -UN-14MAR96



NP6620

KEY	PART NO.	PART NAME	QTY.	SERIAL OR PROD. ID. NO.	REMARKS
1	AN274546	HOUSING	1		PRO-12 UNIT SHELL, (SUB AN277445)
	AN277445	HOUSING	1		
2	N278745	SAFETY SIGN	1		DANGER - "DISENGAGE HARVESTING UNIT DRIVE..."
**	AN274549	PICKING UNIT	1		PRO-12, 2-ROW, LESS GEAR CASE AND HEIGHT SENSING (RESTRICTED AVAILABILITY)
**	N271002	SEALANT	1		GREEN

110-11

PICKING UNIT CABINET (PRO-12 - 18S)

PICKING UNIT GRID BARS AND SUPPORTS - CONTINUED
PRO-12 - 18S
(PIN 2001 -)

KEY	PART NO.	PART NAME	QTY.	SERIAL NO.	REMARKS
1	AN273507	SHEET	1		THROAT
2	19M7784	SCREW	AR		M10 X 20
3	N277543	BAR	17		REAR
4	19M7865	SCREW	AR		M8 X 16
5	N277542	BAR	17		FRONT
6	E63526	NUT	AR		
7	N278041	PANEL	1		
8	N278044	DEFLECTOR	1		(SUB N374648)
	N374648	DEFLECTOR	1		
9	AN274968	CHANNEL	2		
10	N274171	NUT	AR		
11	03M7183	BOLT	AR		M8 X 16
12	AN274511	ANGLE	2		BAR FASTENER
13	19M7865	SCREW	AR		M8 X 16
14	AN274515	SHIELD	1		
15	AN276818	POST	1		(SUB FOR AN274516)
16	03M7190	BOLT	AR		M10 X 20
17	N274243	ANGLE	1		

110-21

PICKING UNIT CABINET (PRO-12 - 18S)

HEIGHT SENSING LINKAGE AND VALVE - CONTINUED

PRO-12 - 18S
(PIN 2001 -)

KEY	PART NO.	PART NAME	QTY.	SERIAL OR PROD. ID. NO.	REMARKS
1	19M7835	SCREW	2		M10 X 35
2	N272983	LEVER	2		
3	19M7784	SCREW	2		M10 X 20
4	AN273470	BEARING	2		
5	34H313	SPRING PIN	3		1/4" X 1-1/8"
6	N273421	PIN FASTENER	1		
7	N277605	PLUG	1		SLOT (WITH HEIGHT SENSING)
	N277604	PLUG	1		(WITHOUT HEIGHT SENSING)
8	N275074	BRACKET	1		
9	N277553	BRACKET	1		
10	03M7225	BOLT	2		M10 X 100
11	37M7086	SCREW	1		M10 X 20
12	N272433	CAP	1		
13	AN276479	CONTROL VALVE	1		(SUB FOR AN193360)
14	19M7979	SCREW	2		M8 X 55
15	24H1136	WASHER	2		11/32" X 11/16" X 0.065"
16	E63525	NUT	2		M8
17	E63526	NUT	AR		M10
18	24H1305	WASHER	2		13/32" X 13/16" X 0.065"
19	N275318	SPACER	1		
20	19M8320	SCREW	3		M10 X 45
21	AE23791	CHAIN LINK	1		(SUB AN275832)
	AN275832	CHAIN LINK	1		
22	N197715	ARM	1		
23	AN193880	PIPE	1		
24	11M7059	COTTER PIN	1		3.200 X 20 MM
25	R93485	COMPRESSION SPRING	1		
26	N275317	LOCKING COLLAR	1		
27	34H284	SPRING PIN	2		3/16" X 1-1/4"
28	N197716	PIN FASTENER	1		
29	11M7015	COTTER PIN	1		3.200 X 25 MM
30	AN273471	LINK END	4		
31	R73639	NUT	6		
32	N278099	LEVER	2		ROD (PRO-12)
33	28H2457	WASHER	2		0.423" X 0.675" X 1/4"
34	N273040	ANGLE	2		
35	AN193637	SUPPORT	2		
36	N191622	SHOE	2		
37	03M7191	BOLT	4		M10 X 25
38	N199289	SPACER	2		
39	N279031	RETAINER	2		
40	11M7092	COTTER PIN	2		3.200 X 40 MM
41	19M8953	SCREW	2		M10 X 20

115-5

PICKING UNIT CABINET (IN-LINE)

PICKING UNIT POSTS - CONTINUED
IN-LINE
(PIN 101 - 2000)

KEY	PART NO.	PART NAME	QTY.	SERIAL OR PROD. ID. NO.	REMARKS
1	N198330	COVER	1		UNIT 1 ONLY
2	N272966	PAD	1		
3	AN272539	CHANNEL	1		
4	N198203	STRAP	1		COVER
5	N198650	STRAP	AR		.036"
6	AN274329	POST	1		(INCLUDES (2) N273046) (SUB FOR AN272511)
7	N198644	SHIM	AR		.030"
	N198645	STRAP	AR		.048"
8	24H1292	WASHER	1		11/32" X 3/4" X 0.120"
9	K40002	LOCK NUT	1		5/16"
10	03H1535	BOLT	1		1/4" X 5/8"
11	N198648	SHIM	AR		.030"
	N198649	STRAP	AR		.048"
12	AN272510	FLAP	1		DOFFER
13	N273084	CHANNEL	1		
14	N198646	SHIM	AR		.030"
	N198647	STRAP	AR		.048"
	N198650	STRAP	AR		.036" SHIM
15	AN193405	POST	1		
16	E60315	SELF-LOCKING SCREW	AR		3/8" X 1-1/4"
17	N10215	LOCK NUT	AR		3/8"
18	N10214	SELF-LOCKING SCREW	AR		3/8" X 1"
19	N198651	STRAP	AR		.036"
20	AN193132	POST	1		
21	N10213	LOCK NUT	2		5/16"
22	N273046	ANGLE	2		DOFFER FLAP MOUNTING
23	24H1292	WASHER	AR		11/32" X 3/4" X 0.120"
24	E63526	NUT	1		M10
25	24H1292	WASHER	2		11/32" X 3/4" X 0.120"
26	24H1625	WASHER	1		17/32" X 1" X 0.120"
27	L63735	WASHER	2		(SUB FOR M91200)
28	N273085	CONTACT	1		
29	E63525	NUT	1		M8

115-15

PICKING UNIT CABINET (IN-LINE)

REAR DRUM PRESSURE PLATE - CONTINUED
IN-LINE
(PIN 101 - 2000)

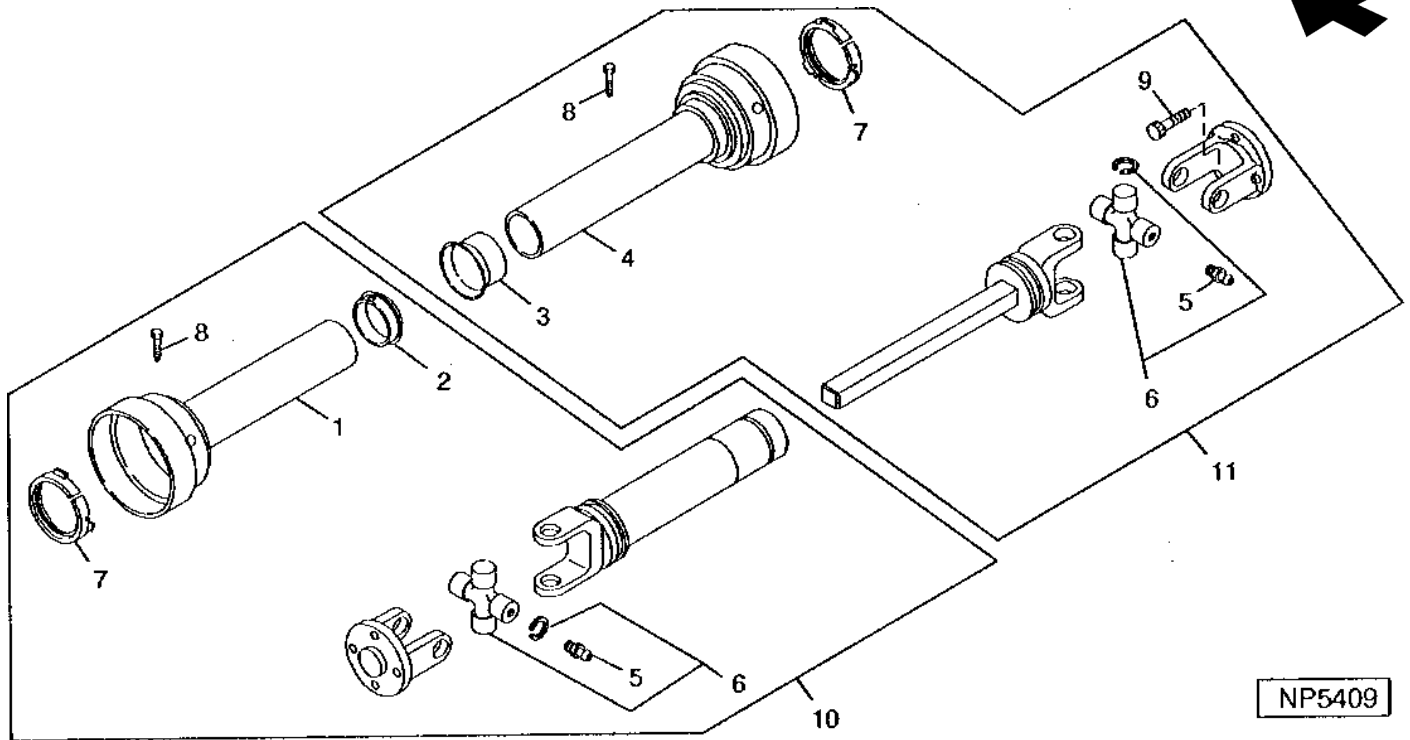
KEY	PART NO.	PART NAME	QTY.	SERIAL OR PROD. ID. NO.	REMARKS
1	N14822	SELF-LOCKING SCREW	3		3/8" X 3/4"
2	N10215	LOCK NUT	3		3/8"
3	H79578	SCREW	5		5/16" X 1-1/4"
4	N10214	SELF-LOCKING SCREW	1		3/8" X 1"
5	AN193129	TUBE	1		
6	N190465	SPRING	1		LH
	N190464	SPRING	4		RH
7	N196136	ANGLE	3		
8	24H1660	WASHER	1		57/64" X 1-3/8" X 0.060"
9	34H314	SPRING PIN	1		1/4" X 1-1/4"
10	N34274	PIN FASTENER	1		
11	N33404	SPRING	1		
12	N33504	SNAP RING	1		
13	AN193029	PLATE	1		
14	N196120	EXTENSION	1		
15	N198851	ANGLE	1		
16	N10213	LOCK NUT	10		5/16"
17	03H1540	BOLT	6		5/16" X 3/4"
18	N196126	EXTENSION	1		
19	N198712	REINFORCEMENT	2		
20	J16931	PIN	2		
21	AN194089	LINK CHAIN	2		
22	24H1309	WASHER	2		13/32" X 1-1/16" X 0.120"
23	T11234	LOCK NUT	2		3/8"
24	03H1709	BOLT	4		5/16" X 1"
25	24H1296	WASHER	4		11/32" X 1-3/8" X 0.134"

120-3

PICKING UNIT SYSTEM (PRO-12 - 18S)

UNIVERSAL JOINT, CROSS SHAFT PRO-12 - 18S (PIN 2001 -)

NP5409 -UN-01JAN94



KEY	PART NO.	PART NAME	QTY.	SERIAL OR PROD. ID. NO.	REMARKS
1	AN272425	POWERSHAFT SHIELD	1		(SHORT - 14")
	AN272428	POWERSHAFT SHIELD	1		(LONG - 19")
2	N273546	BEARING	1		(INCLUDED IN AN272425 AND AN272428)
3	N273547	GUIDE	1		
4	AN272426	POWERSHAFT SHIELD	1		
5	JD5807	LUBRICATION FITTING	2		
6	AN272429	CROSS AND BEARING ASSEMBLY	2		
7	H118943	BEARING	2		(INCLUDED IN AN272425 AND AN272428)
8	37M7067	SCREW	2		
9	N275214	SCREW	8		12 POINT HEAD
10	AN273488	UNIVERSAL JOINT	1		(SHORT - 14")
	AN273896	UNIVERSAL JOINT	1		(LONG - 19")
11	AN273489	UNIVERSAL JOINT	1		

120-13

PICKING UNIT SYSTEM (PRO-12 - 18S)

PICKER DRUM HEAD AND CAM - CONTINUED
PRO-12 - 18S
(PIN 2001 -)

KEY	PART NO.	PART NAME	QTY.	SERIAL OR PROD. ID. NO.	REMARKS
1	N275308	PLUG	1		(PKG OF 16)
2	SEAL	1		(A)
3	N275015	PLUG	1		
4	N273012	CAM	1		12 BAR DRUM
5	N273659	PICKER DRUM HEAD	1		12 BAR DRUM
6	N274229	SPRING WASHER	AR		BEARING RETAINER
7	19M7835	SCREW	AR		M10 X 35
8	N279871	BUSHING	12		BAR SEAL (12 BAR DRUM) (SUB FOR N273680)
9	19M7789	SCREW	3		M12 X 30
**	AN273676	SEAL KIT	1		(INCLUDES PARTS MARKED (A))

120-23

PICKING UNIT SYSTEM (PRO-12 - 18S)

DOFFER - CONTINUED
PRO-12 - 18S
(PIN 2001 -)

KEY	PART NO.	PART NAME	QTY.	SERIAL OR PROD. ID. NO.	REMARKS
1	19M8374	SCREW	3		M10 X 30
2	E63526	NUT	6		M10
3	AN274506	SHAFT	1		18 SPINDLE
4	AN272152	DOFFER	20		
5	N275381	SPACER	19		
6	L3197N	SHIM	AR		
7	24H1633	WASHER	1		
8	N198746	SPACER	1		
9	N275471	CAP	1		
10	N275350	SPACER	1		(SUB N371318)
	N371318	SPACER	1		
11	AN275022	BALL BEARING	1		
12	N275038	NUT	1		M30
13	AN274508	DOFFER	1		ASSEMBLY, 18 SPINDLE
14	N275931	SHIM	AR		
15	AN273953	HOUSING	1		
16	19M7785	SCREW	3		M10 X 25
17	N272482	BLADE	2		VINE CUTTER
18	19M7861	SCREW	2		M6 X 10
19	14M7165	LOCK NUT	2		M6
20	JD7759	LUBRICATION FITTING	1		
**	BN272178	COMPLETE GOODS/SHIP. BUNDLE	1		VINE CUTTER ATTACHMENT (CUTTERS FOR 2 DOFFERS) (AVAILABLE FROM JOHN DEERE DESMOINES WORKS)

125-7

PICKING UNIT SYSTEM (IN-LINE)

MEMORANDA

125-17

PICKING UNIT SYSTEM (IN-LINE)

PICKER BAR DRUM, STUD AND BEARING - CONTINUED
IN-LINE
(PIN 101 - 2000)

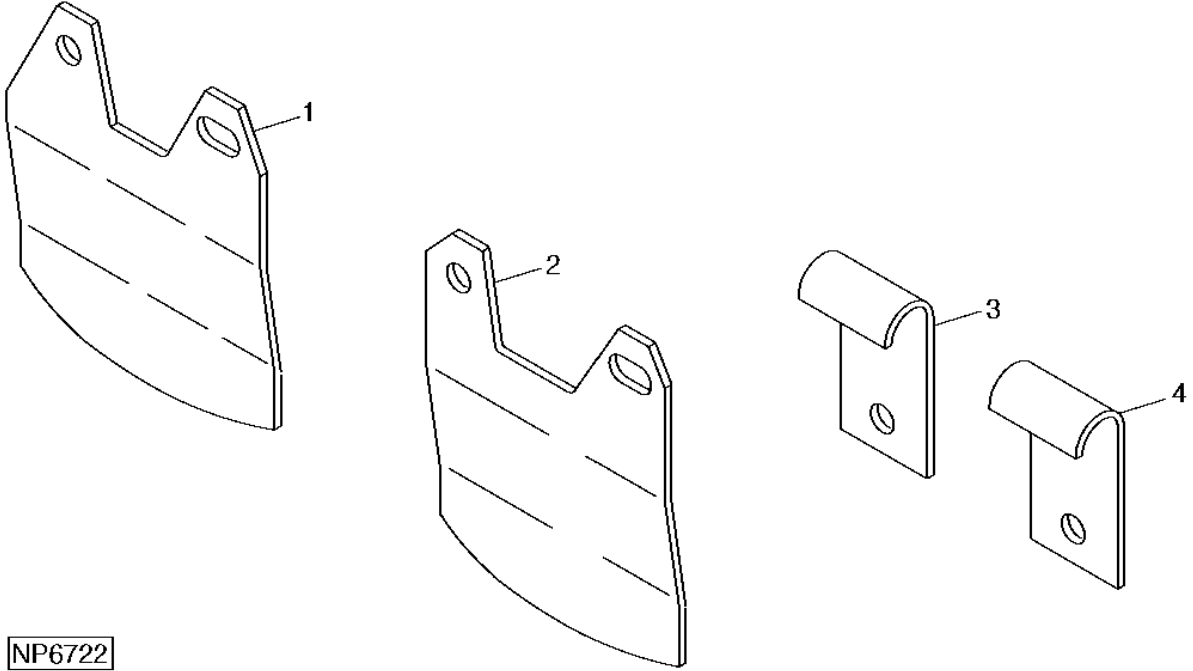
KEY	PART NO.	PART NAME	QTY.	SERIAL OR PROD. ID. NO.	REMARKS
1	N190952	SHIM	AR		.005"
	N190953	SHIM	AR		.010"
	N193694	SHIM	AR		.003"
2	N112291	PIN FASTENER	12		(ALSO ORDER/USE 1 SHIM)
3	15H566	PIPE PLUG	24		1/8"
4	19H3695	CAP SCREW	24		5/16" X 5/8"
5	AN193102	DRUM	1		
6	12H301	LOCK WASHER	3		1/2"
7	19H2509	CAP SCREW	3		1/2" X 1-1/2"
8	N115724	ELBOW FITTING	24		
9	N117044	CLAMP	24		
10	HOSE	12		11-1/2", (MAKE FROM N274964)
11	JD7759	LUBRICATION FITTING	1		
12	L1188N	SNAP RING	1		
13	N112737	WASHER	1		
14	AN111537	BALL BEARING	1		
15	AN190474	SEAL	1		
16	N193645	SPINDLE	1		
17	T19179	CAP SCREW	3		3/8" X 0.620"

125-27

PICKING UNIT SYSTEM (IN-LINE)

DOFFER GAUGES IN-LINE (PIN 101 - 2000)

NP6722 -UN-14MAR96



NP6722

KEY	PART NO.	PART NAME	QTY.	SERIAL OR PROD. ID. NO.	REMARKS
1	N197199	INDICATOR	1	101-2000	12 BAR, DOFFER RADIUS
2	N274391	GAUGE	1	2001-	12 BAR, DOFFER RADIUS
3	N117835	GAUGE	1	101-2000	12 BAR, UPPER LEAF .060"
	N117835	GAUGE	1	2001-	PRO-12 BAR, UPPER LEAF .060"
4	N273460	GAUGE	1	101-2000	12 BAR, LOWER LEAF .090"
	N117837	GAUGE	1	2001-	PRO-12 BAR, LOWER LEAF .187"

130-9

PICKING UNIT LUBRICATION SYSTEM

MEMORANDA

140-5

WATER SYSTEM

WATER SYSTEMS CONTROL - CONTINUED

KEY	PART NO.	PART NAME	QTY.	SERIAL OR PROD. ID. NO.	REMARKS
1	N198465	ELBOW FITTING	1		90°
2	TY22465	HOSE CLAMP	1		
3	N126384	ANGLE	1		
4	19M7808	SCREW	1		M10 X 65
5	AN274992	SOLENOID VALVE	1		
6	15H625	PIPE BUSHING	1		1/4"
7	E63526	NUT	1		M10
8	T17568	TEE FITTING	1		1/4"
9	T28077	ELBOW FITTING	1		
10	B14077	HOSE FITTING	1		
11	15H607	PIPE BUSHING	1		1/4"
12	N194814	HOSE CLAMP	8		
13	TUBE	1		(MAKE FROM 1.5" OF N371458 GREEN)
14	N371996	HOSE FITTING	2		(SUB FOR N274626)
15	TUBE	1		(MAKE FROM 68" OF N371458 GREEN)
16	TUBE	1		(MAKE FROM 120" OF N371458 GREEN)
17	TUBE	1		(MAKE FROM 68" OF N194902 CLEAR)
18	TUBE	1		(MAKE FROM 120" OF N194902 CLEAR)
19	TUBE	1		(MAKE FROM 3" OF N194902 CLEAR)
20	N154077	HOSE FITTING	1		
21	N191828	RETAINER	1		
22	AN191056	VALVE	1		
23	N156945	DIAPHRAGM	1		
24	AN191057	CHECK VALVE	1		

140-15

WATER SYSTEM

SPINDLE MOISTENER COLUMN - CONTINUED PRO-12 - 18S (PIN 2001-)

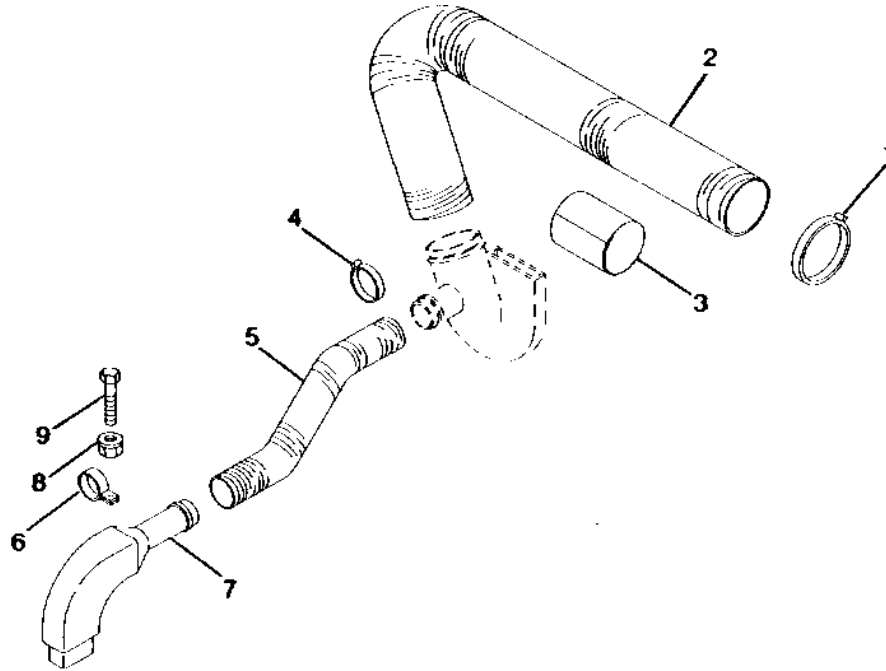
KEY	PART NO.	PART NAME	QTY.	SERIAL OR PROD. ID. NO.	REMARKS
1	N276745	HOSE FITTING	1		
2	R495R	O-RING	1		
3	PM26642-2	STRAINER	1		(SUB FOR AB11379)
4	B12283	NOZZLE	1		(6 PER PKG) (USE WITH SPINDLE CLEANER)
	B14244	NOZZLE	1		(USE WITH MOISTENER AGENT)
5	19M8317	SCREW	1		M8 X 40
	R186227	SCREW	1		EXPORT ONLY
6	B12888	FITTING	1		
7	N276747	COVER	1		
8	N276746	DISTRIBUTOR PLATE	1		
9	AN273019	MANIFOLD	1		PRO-16
	AN274526	MANIFOLD	1		PRO-12
10	N158795	PLUG	AR		
11	N275607	PAD	18		
12	AN273816	HOLDER	18		
13	N276748	SEAL	1		
14	AN273474	HOLDER	1		PRO-16
	AN274512	HOLDER	1		PRO-12, (SUB AN279610)
	AN279610	HOLDER	1		PRO-12
15	N275882	ANGLE	1		REAR ONLY
16	R59468	SPRING	2		
17	AN274659	LATCH	1		PRO-16 (FRONT DRUM)
	AN273512	LATCH	1		PRO-16 (REAR DRUM)
	AN274513	LATCH	1		PRO-12 (FRONT AND REAR DRUM)
18	N275392	HOLD-DOWN CLIP	2		
19	E63525	NUT	AR		M8
20	N273218	SPACER	2		TOP AND BOTTOM, (SUB N374880)
	N374880	SPACER	2		
21	19M8319	SCREW	1		M8 X 50
22	03M7186	BOLT	2		M8 X 30
23	AN274660	SUPPORT	1		DOOR, PRO-16 (FRONT DRUM)
	AN273517	SUPPORT	1		DOOR, PRO-16 (REAR DRUM)
	AN274510	SUPPORT	1		DOOR, PRO-12 (FRONT AND REAR DRUM)
24	03M7183	BOLT	5		M8 X 16
25	03M7185	BOLT	1		M8 X 25
26	E64256	LOCK NUT	AR		M8
27	N276898	HANDLE	1	-XXXX	.359" HOLE, (SUB N279504 AND H25220)
	N279504	HANDLE	1	XXXX-	.531" HOLE, (USE WITH H25220) (SUB N374492)
	N374492	HANDLE	1		
	N278904	ANGLE	1		EUROPEAN COMMUNITY
28	14M7275	NUT	1		M12
29	19M7785	SCREW	2		M10 X 25
30	A31867	LOCK NUT	1		
31	24H1162	WASHER	2		17/32" X 1-1/4" X 0.060"
32	AN273797	PIVOT	1		
33	N276092	STRAP	AR		
34	N277000	BUSHING	1		
35	N168012	WASHER	1		SPRING DISC
36	19M7590	CAP SCREW	1		M12 X 100
37	H25220	BUSHING	1		(USE WITH N279504)
38	N190923	TUBE	1		
39	F1870R	O-RING	1		
40	M110316	BUSHING	1		
41	N373037	BRACKET	1		
42	24H1224	WASHER	1		11/32" X 1" X 1/16"
43	24H1136	WASHER	2		11/32" X 11/16" X 0.065"
44	14M7151	NUT	1		M8

150-7

AIR SYSTEM

AIR HOSES

NP4342 -UN-01JAN94



NP4342

KEY	PART NO.	PART NAME	QTY.	SERIAL NO.	REMARKS
1	TY22493	HOSE CLAMP	4		6"
2	N371234	HOSE	1		6" X 53" RH, (SUB FOR N198384)
	N371234	HOSE	1		6" X 55" LH, (SUB FOR N272806)
3	STRUCTURAL TUBING	1		(NOT USED THIS APPLICATION)
4	TY22473	CLAMP	4		3"
5	N371226	HOSE	1		3" X 60" RH, (SUB FOR N198386)
	N371235	HOSE	1		3" X 77" LH, (SUB FOR N276340)
6	N35147	CLIP	4		
7	N197420	NOZZLE	2		TRANSITION JET POST
	N279538	AIR DUCT	2		PRO-12 TRANSITION JET POST
8	N10215	LOCK NUT	4		3/8"
9	19H1765	CAP SCREW	4		3/8" X 1-3/4"

150-17

AIR SYSTEM

DUCT AND LADDER SUPPORT - CONTINUED
(PIN 2037-)

KEY	PART NO.	PART NAME	QTY.	SERIAL OR PROD. ID. NO.	REMARKS
1	N275714	PIVOT	1		
2	34H337	SPRING PIN	AR		5/16" X 2-1/2"
3	N275713	TUBE	1		
4	N275716	BRACE	1		
5	E63526	NUT	4		
6	19M7807	SCREW	4		M10 X 60
7	N275723	PIPE	1		
8	N191844	STRAP	1		
9	E63527	NUT	4		
10	19M7807	SCREW	2		M10 X 60
11	N279382	STRAP	1		
12	AN275186	SUPPORT	1		
13	19M7785	SCREW	2		M10 X 25
14	N279379	PLATE	1		
15	22H932	SET SCREW	1		5/16" X 3/8"
16	N273467	LOCKING COLLAR	4		
17	19M7784	SCREW	4		M10 X 20
18	E63526	NUT	6		
19	N198051	PLATE	1		

160-9

BASKET

COTTON BASKET, RIGHT SIDE - CONTINUED

KEY	PART NO.	PART NAME	QTY.	SERIAL OR PROD. ID. NO.	REMARKS
1	N279012	ANGLE	3		
2	N279014	ANGLE	1		UPPER RH
3	19M7785	SCREW	AR		M10 X 25
4	E63526	NUT	AR		
5	N276137	GUSSET	4		
6	19M7784	SCREW	AR		M10 X 20
7	N279015	ANGLE	1		
8	N276135	CORNER	1		
9	37M7086	SCREW	AR		M10 X 20
10	N276132	ANGLE	3		
11	N276133	ANGLE	3		
12	N277241	SCREEN	3		
13	N279013	ANGLE	3		(SUB FOR N276131)
14	N111310	GUSSET	2		
15	N193720	SHEET	3		
16	U15091	GROMMET	1		

160-19

BASKET

AUGER COMPACTOR - CONTINUED

KEY	PART NO.	PART NAME	QTY.	SERIAL OR PROD. ID. NO.	REMARKS
1	N274659	SUPPORT	2		
2	19M7785	SCREW	16		M10 X 25
3	E63526	NUT	AR		M10
4	N120535	PRESSED FLANGED HOUSING	4		
5	34H331	SPRING PIN	2		5/16" X 1-1/2"
6	JD9313	BALL BEARING	2	-XXXX	
	AN220534	BALL BEARING	2	XXXX -	
7	03M7191	BOLT	6		M10 X 25
8	N195726	SPACER	2		
9	AN273168	AUGER	2		
10	19M7784	SCREW	4		M10 X 20
11	24H1309	WASHER	4		13/32" X 1-1/16" X 0.120"
12	N276750	WASHER	4		
13	AN274132	HYDRAULIC MOTOR	2		(SEE HYDRAULIC MOTOR FOR COMPACTOR AUGER)
14	N274658	SUPPORT	2		
15	37M7086	SCREW	4		M10 X 20

170-7

DECALS

CHASSIS LABELS AND DECALS - CONTINUED

KEY	PART NO.	PART NAME	QTY.	SERIAL NO.	REMARKS
1	JD5927	SMV EMBLEM	1		(SUB FOR JD5401) (SUB TY24479)
	TY24479	SMV EMBLEM	1		
	JD5929	SMV EMBLEM	1		ON PLASTIC
2	JD5714	LABEL	1		(SUB FOR JD5598) LEAPING DEER 154 MM HT
	JD5713	LABEL	1		(SUB FOR JD5599 OR JD5600) LEAPING DEER 198 MM HT
3	JD5900	REFLECTOR	2		RED
	JD5902	REFLECTOR	2		RED
	JD5906	REFLECTOR	2		AMBER
	JD5920	REFLECTOR	1		RED
	JD5921	REFLECTOR	1		YELLOW
	JD5922	REFLECTOR	1		ORANGE
4	N195645	LABEL	2		OPERATING ONLY
5	N276999	LABEL	1		UNIT LOCATION
6	N272557	TAG	1		TAG, TIRE PRESSURE
7	H144692	LABEL	1		ROTARY SCREEN DRIVE - ENGLISH
	N278110	LABEL	1	-XXXXXX	(PORTUGUESE) ROTARY SCREEN DRIVE
	H207244	LABEL	1	XXXXXX-	ROTARY SCREEN DRIVE (PICTOGRAM)
8	H137201	LABEL	1		COOLING PKG, CLEANOUT
	N278109	LABEL	1		(PORTUGUESE) COOLING PKG, CLEANOUT
9	N194944	LABEL	1		AIR VALVE
10	N198634	LABEL	2		WHEEL BOLT TORQUE
..	N191674	DECAL	1		NUMBER ONE
..	N191675	DECAL	1		NUMBER TWO
..	AN273841	LABEL	1		ASSY NUMBER ONE, TWO, THREE, FOUR, FIVE AND SIX

170-17

DECALS

SAFETY DECALS - CONTINUED

KEY	PART NO.	PART NAME	QTY.	SERIAL NO.	REMARKS
1	N272947	LABEL	2		CONVEYOR DANGER
2	N277019	LABEL	2		BASKET WARNING
	N278117	LABEL	2		(PORTUGUESE) BASKET WARNING
3	T146102	LABEL	1		DANGER - "START ONLY FROM SEAT IN PARK OR NEUTRAL. STARTING IN GEAR KILLS."
	T146106	SAFETY SIGN	1		(SPANISH) DANGER - "START ONLY FROM SEAT IN PARK OR NEUTRAL. STARTING IN GEAR KILLS."
	T146586	SAFETY SIGN	1		(PORTUGUESE) DANGER - "START ONLY FROM SEAT IN PARK OR NEUTRAL. STARTING IN GEAR KILLS."
4	N279016	LABEL	2		CYLINDER STOP CAUTION
	N279040	LABEL	2		(SPANISH) CYLINDER STOP CAUTION
	N279041	LABEL	2		(PORTUGUESE) CYLINDER STOP CAUTION
5	N372425	SAFETY SIGN	1		BRAKES

NUMERICAL INDEX - CONTINUED

PART NO.	KEY	PAGE	PART NO.	KEY	PAGE	PART NO.	KEY	PAGE
AN275235	17	70 - 9	AN276743	12	125 - 18	AR48236	4	20 - 5
AN275247	36A	40 - 11	AN276777	1	90 - 28	AR48236	10	30 - 7
AN275247	1	40 - 37	AN276779	12	90 - 31	AR48725	1	40 - 5
AN275273	42	110 - 3	AN276818	15	110 - 11	AR50411	9	40 - 35
AN275424	4	40 - 4	AN276822	32	150 - 13	AR51481	30	90 - 11
AN275739	36A	40 - 11	AN276823	18B	150 - 13	AR52065	19	30 - 3
AN275739	36B	40 - 11	AN276848	27	110 - 19	AR52066	22	30 - 3
AN275739	8	40 - 19	AN276859	14	110 - 17	AR54749	4	20 - 61
AN275739	8	40 - 21	AN276861	7	110 - 9	AR54808	10	60 - 1
AN275739	1	40 - 37	AN276866	11	120 - 2	AR55289	9	60 - 1
AN275752	1	40 - 15	AN277158	27	110 - 19	AR59779	5	40 - 9
AN275784	2	130 - 8	AN277251	10	150 - 13	AR59779	4	90 - 42
AN275806	36A	40 - 11	AN277252	..	170 - 18	AR59779	2	90 - 47
AN275806	8	40 - 19	AN277263	..	170 - 18	AR60937	12	40 - 11
AN275806	1	40 - 37	AN277334	3	170 - 11	AR61610	26	70 - 1
AN275832	21	110 - 21	AN277334	8	170 - 13	AR63218	1	20 - 60
AN275902	1	40 - 16	AN277335	3	170 - 11	AR63219	1	20 - 60
AN275907	15	40 - 16	AN277355	..	170 - 18	AR63222	1	20 - 60
AN275910	9	80 - 20	AN277357	..	170 - 18	AR63979	1	20 - 60
AN275919	25	70 - 9	AN277360	..	170 - 18	AR64422	6	40 - 2
AN275919	8	70 - 26	AN277382	27	110 - 19	AR64937	24	30 - 3
AN275920	13	90 - 1	AN277383	27	110 - 19	AR64992	4	40 - 9
AN275927	23	60 - 1	AN277384	1	170 - 15	AR64992	6	90 - 42
AN275948	1	90 - 58	AN277385	1	170 - 15	AR65293	5	140 - 8
AN275952	..	170 - 18	AN277398	15	80 - 15	AR65294	1	30 - 17
AN275962	2	70 - 2	AN277443	7	110 - 9	AR65507	9	20 - 14
AN275962	34	70 - 5	AN277445	1	110 - 1	AR69370	11	90 - 42
AN275964	35	70 - 5	AN277579	27	110 - 19	AR69370	22	90 - 45
AN275965	13	70 - 5	AN277580	27	110 - 19	AR69445	..	70 - 1
AN275965	12	130 - 3	AN277601	27	110 - 19	AR71107	11	90 - 31
AN275965	13	130 - 5	AN277602	27	110 - 19	AR71108	24	90 - 31
AN275970	6	20 - 2	AN277607	10	150 - 11	AR71109	27	90 - 31
AN276260	5	30 - 7	AN277616	25	70 - 9	AR78405	19	60 - 1
AN276322	..	90 - 35	AN277616	8	70 - 26	AR78595	14	90 - 54
AN276325	5	90 - 49	AN277616	2	70 - 27	AR79679	20	30 - 3
AN276348	11	140 - 8	AN277717	10	110 - 13	AR79680	15	30 - 3
AN276416	36B	40 - 11	AN278181	23	60 - 1	AR84565	17	30 - 3
AN276416	8	40 - 19	AN278325	18	40 - 39	AR85519	1	30 - 13
AN276416	8	40 - 21	AN278703	3	170 - 13	AR85519	1	30 - 15
AN276416	1	40 - 37	AN279557	10	110 - 13	AR86969	2	40 - 26
AN276442	..	170 - 18	AN279610	14	140 - 15	AR87079	1	40 - 35
AN276443	3	170 - 13	AN30975	..	140 - 3	AR88076	1	90 - 47
AN276443	..	170 - 18	AN31360	..	130 - 3	AR94073	11	90 - 16
AN276444	3	170 - 13	AN31361	..	130 - 3	AR94522	18	130 - 11
AN276444	..	170 - 18	AN31573	..	130 - 3	AR94522	13	130 - 13
AN276446	3	170 - 13	AN32795	34	140 - 17	AR94761	14	50 - 11
AN276447	..	170 - 18	AN71194	21	125 - 5	AT103379	3	70 - 15
AN276448	..	170 - 18	AP17808	19	90 - 25	AT117006	1	90 - 55
AN276479	23	70 - 7	AR100056	4	90 - 45	AT117561	8	60 - 7
AN276479	14	70 - 22	AR104650	18	30 - 13	AT118619	18	70 - 5
AN276479	13	110 - 21	AR21836	3	20 - 5	AT130068	1	70 - 13
AN276479	9	115 - 21	AR21837	3	90 - 45	AT130068	..	70 - 30
AN276545	25	150 - 6	AR21837	21	140 - 1	AT13740	5	20 - 1
AN276545	18	150 - 8	AR21837	1	140 - 6	AT13740	5	20 - 2
AN276546	8	40 - 9	AR21839	12	30 - 5	AT13740	26	20 - 19
AN276546	5	90 - 41	AR21839	1	50 - 25	AT139434	7	70 - 26
AN276547	8	40 - 9	AR21839	4	70 - 1	AT145929	38	40 - 11
AN276547	10	90 - 41	AR21840	16	70 - 5	AT14620	1	130 - 14
AN276581	12	60 - 3	AR21969	..	20 - 60	AT14628	10	130 - 14
AN276610	5	110 - 3	AR26674	1	30 - 7	AT151668	19	60 - 5
AN276610	..	110 - 3	AR26724	3	130 - 11	AT157547	18	60 - 13
AN276611	4	110 - 3	AR26724	3	130 - 13	AT160510	15	70 - 13
AN276612	42	110 - 3	AR27806	1	80 - 20	AT165866	6	70 - 7
AN276613	10	110 - 3	AR36552	4	30 - 27	AT168165	5	80 - 26
AN276679	11	150 - 11	AR44402	1	20 - 61	AT173179	18	50 - 27
AN276740	17	120 - 17	AR48015	5	40 - 26	AT185951	7	40 - 34
AN276743	13	120 - 15	AR48041	5	40 - 3	AT195302	38	40 - 11

CLICK HERE TO **DOWNLOAD** THE COMPLETE MANUAL

- Thank you very much for reading the preview of the manual.
- You can download the complete manual from: www.heydownloads.com by clicking the link below



- Please note: If there is no response to CLICKING the link, please download this PDF first and then click on it.

CLICK HERE TO **DOWNLOAD** THE COMPLETE MANUAL