

**8120, 8220, 8320, 8420  
and 8520 Tractors**



**JOHN DEERE**

**PARTS CATALOG**

**8120, 8220, 8320, 8420  
and 8520 Tractors**

**PC2850 (Mar-06) English**

**John Deere Waterloo Works  
AR186954**

**North American Edition**  
Litho in U.S.A. (Revised)  
COPYRIGHT © 2006  
DEERE & COMPANY  
Moline, Illinois  
All rights reserved

CLICK HERE TO **DOWNLOAD** THE COMPLETE MANUAL

- Thank you very much for reading the preview of the manual.
- You can download the complete manual from: [www.heydownloads.com](http://www.heydownloads.com) by clicking the link below



- Please note: If there is no response to CLICKING the link, please download this PDF first and then click on it.

CLICK HERE TO **DOWNLOAD** THE COMPLETE MANUAL

# 10-A1A

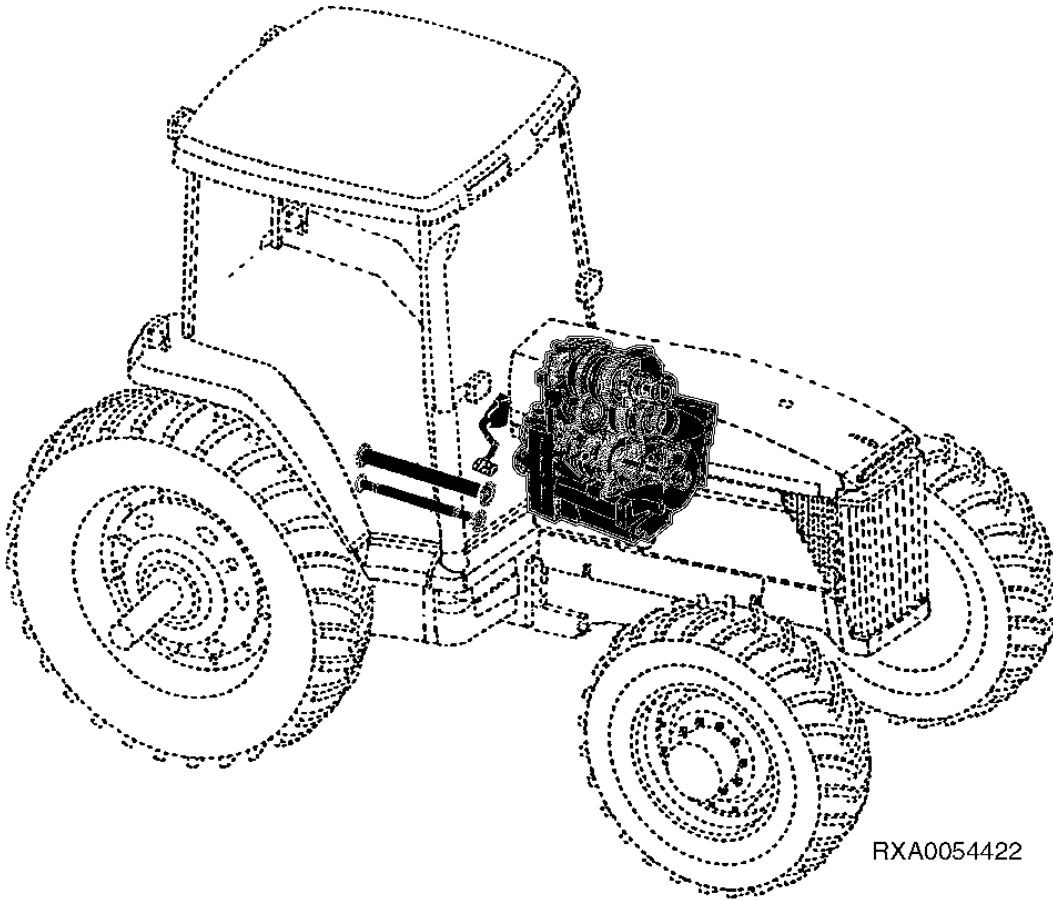
8120, 8220, 8320, 8420, 8520 TRACTORS

PRIMARY INDEX  
INDEX PRINCIPAL  
HAUPTINDEX  
INDICE PRINCIPALE  
INDICE DE MATERIAS  
HUVUDFORTECKNING

RXA0054422 -UN-

51- A01
51- A02
51- A03

## 51



# 10-A1L

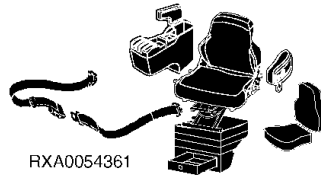
8120, 8220, 8320, 8420, 8520 TRACTORS

PRIMARY INDEX  
INDEX PRINCIPAL  
HAUPTINDEX  
INDICE PRINCIPALE  
INDICE DE MATERIAS  
HUYUDFORTECKNING

92- A01

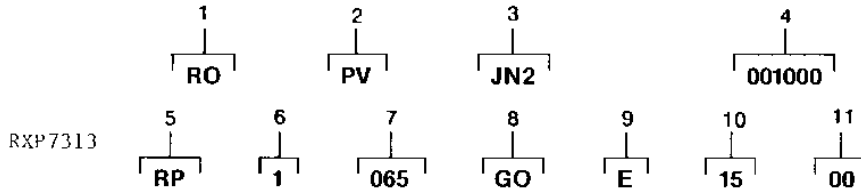
RXA0054361 -UN-

92



## HYDRAULIC PUMP SERIAL NUMBER

RXP7313 -UN-01JAN94



- |   |   |
|---|---|
| <ol style="list-style-type: none"> <li>1. DESIGNATES MANUFACTURING FACTORY</li> <li>2. DESIGNATES COMPONENT</li> <li>3. DESIGNATES MODEL NUMBER</li> <li>4. DESIGNATES COMPONENT NUMERIC NUMBER</li> <li>5. DESIGNATES TYPE COMPONENT</li> <li>6. DESIGNATES FAMILY</li> <li>7. DESIGNATES SIZE</li> <li>8. DESIGNATES PORT ARRANGEMENT</li> <li>9. DESIGNATES SHAFT ROTATION</li> <br/> <li>10. DESIGNATES STROKE CONTROL VALVE TYPE</li> <br/> <li>11. NO SIGNIFICANCE</li> </ol> | <p>RO - JOHN DEERE WATERLOO WORKS<br/>             PV - PUMP VARIABLE<br/>             JN2- 65 CM3 (4 IN3)</p> <p>RP - RADIAL PISTON PUMP<br/>             1 - FRAME SIZE<br/>             65 - 65 CM3<br/>             GO - PRIMARY HOUSING<br/>             E - EITHER<br/>             R - RIGHT<br/>             L - LEFT<br/>             15 - STROKE CONTROL VALVE CODE</p> <p>00 - NO SIGNIFICANCE</p> |
|---|---|

RXP020902 -UN-01JAN94



**RXP020902**

THE HYDRAULIC PUMP SERIAL NUMBER PLATE IS LOCATED ON THE TOP RIGHT-HAND SIDE OF THE PUMP.

## ALPHABETICAL INDEX - CONTINUED

	PAGE		PAGE
BULB, TURN SIGNAL/HAZARD WARNING (EUROPEAN VERSION).....	44-21	CAMSHAFT FOLLOWER .....	20-8
BUMPER (ACTIVE SEAT SUSPENSION).....	92-10	CAMSHAFT FOLLOWER .....	20-11
BUMPER (AIR SEAT SUSPENSION).....	92-16	CAMSHAFT GEAR .....	20-11
BUMPER (SEMI-ACTIVE SEAT SUSPENSION).....	92-14	CAN TERMINATING DEVICE .....	42-2
BUMPER, DRAFT LINK.....	70-48	CAN TERMINATING DEVICE .....	42-4
BUMPER, DRAFT LINK (HEAVY DUTY KIT).....	70-49	CAN TERMINATING DEVICE .....	42-8
BUSHING, CAMSHAFT.....	20-11	CAN TERMINATING DEVICE .....	42-12
BUSHING, CAMSHAFT.....	20-12	CAP, AUXILIARY POWER STRIP .....	42-27
BUSHING, FRONT AXLE.....	80-1	CAP, DIFFERENTIAL OIL FILLER.....	53-32
BUSHING, HITCH FRAME.....	70-42	CAP, ENGINE OIL FILTER.....	20-42
BUSHING, TURBO DRAIN LINE (8120,8220,8320).....	30-2	CAP, FUEL (EUROPEAN VERSION).....	35-36
BUSHING, TURBO DRAIN LINE (8420,8520).....	30-4	CAP, FUEL (8120, 8220, 8320) (NORTH AMERICAN VERSION) .....	35-28
BUSHING, TURBO OIL DRAIN LINE TO BLOCK .....	20-12	CAP, FUEL (8120, 8220, 8320) (NORTH AMERICAN VERSION) .....	35-30
BY-PASS VALVE, OIL COOLER (ESN 232464-).....	20-41	CAP, FUEL (8420, 8520) (NORTH AMERICAN VERSION) .....	35-32
BYPASS START LABEL.....	43-4	CAP, FUEL (8420, 8520) (NORTH AMERICAN VERSION) .....	35-34
BYPASS TUBES, OIL COOLER .....	20-39	CAP, FUEL TANK (EUROPEAN VERSION) .....	35-36
<b>C</b>			
CAB.....	91-1	CAP, FUEL TANK (8120, 8220, 8320) (NORTH AMERICAN VERSION) .....	35-28
CAB AND CHASSIS BATTERY GROUND CABLE.....	42-22	CAP, FUEL TANK (8120, 8220, 8320) (NORTH AMERICAN VERSION) .....	35-30
CAB AND CHASSIS GROUND CABLE.....	42-22	CAP, FUEL TANK (8420, 8520) (NORTH AMERICAN VERSION) .....	35-32
CAB ELECTRICAL JUNCTION BLOCK.....	42-16	CAP, FUEL TANK (8420, 8520) (NORTH AMERICAN VERSION) .....	35-34
CAB FRESH AIR FILTER .....	90-14	CAP, OVERFLOW BOTTLE .....	25-8
CAB HEADLINER.....	91-64	CAP, POSITIVE TERMINAL.....	43-8
CAB JUNCTION BLOCK, ELECTRICAL .....	42-16	CAP, RADIATOR .....	25-8
CAB MOUNTS (EUROPEAN VERSION).....	91-6	CAP, W/O RADIO.....	42-66
CAB MOUNTS (8120, 8220,8320) (NORTH AMERICAN VERSION).....	91-2	CAPS, MAIN BEARING .....	20-12
CAB MOUNTS (8420, 8520) (NORTH AMERICAN VERSION).....	91-4	CARRIER, PLANET PINION (ILS).....	55-38
CAB POWER CABLE .....	42-20	CARRIER, PLANET PINION (MFWD) (8120, 8220, 8320).....	54-20
CAB REAR COVER.....	80-66	CARRIER, PLANET PINION (MFWD) (8420).....	54-22
CAB RECIRCULATING FILTER.....	90-18	CARRIER, PLANET PINION (8120) (100MM).....	53-14
CAB RECIRCULATING FILTER.....	90-20	CARRIER, PLANET PINION (8120, 8220) (110MM).....	53-16
CAB RECIRCULATING FILTER.....	90-22	CARRIER, PLANET PINION (8320, 8420) (110MM).....	53-18
CAB REPLACEMENT.....	91-1	CARRIER, PLANET PINION (8420, 8520) (120MM).....	53-20
CAB WIRING HARNESS (EUROPEAN VERSION).....	42-10	CARTRIDGES, CONTROL VALVE MANIFOLD (ILS).....	55-54
CAB WIRING HARNESS (NORTH AMERICAN VERSION).....	42-10	CARTRIDGES, MANIFOLD (ILS) .....	55-48
CAB WIRING HARNESS (UKRAINIAN VERSION).....	42-10	CASE DRAIN COUPLER KIT, FLUSH FACE.....	70-104
CAB WIRING HARNESS, GREENSTAR .....	41-8	CASE, DIFFERENTIAL (ILS).....	55-18
CABLE, AIR BRAKE .....	60-108	CASE, DIFFERENTIAL (MFWD) (8120, 8220, 8320).....	54-12
CABLE, CAB AND CHASSIS GROUND.....	42-22	CASE, DIFFERENTIAL (MFWD) (8420).....	54-14
CABLE, CAB POWER .....	42-20	CASE, DIFFERENTIAL (REAR) .....	53-10
CABLE, CLUTCH (EUROPEAN VERSION).....	51-6	CASE, TRANSMISSION.....	51-44
CABLE, CLUTCH (NORTH AMERICAN VERSION) (8120, 8220, 8320).....	51-2	CASE, TRANSMISSION (ILS).....	55-2
CABLE, CLUTCH (NORTH AMERICAN VERSION) (8420, 8520).....	51-4	CAST AND HEAVY CAST REAR WHEEL WEIGHTS.....	80-45
CABLE, DRAFT LINK RELEASE (EUROPEAN VERSION).....	70-53	CAST REAR WHEELS (8120, 8220, 8320).....	80-22
CABLE, MOBILE RADIO ANTENNA .....	42-62	CAST REAR WHEELS (HEAVY DUTY) (8420, 8520).....	80-24
CABLE, PICK-UP HITCH CONTROL .....	70-96	CAST REAR WHEELS (HEAVY DUTY) (8420, 8520).....	80-26
CABLE, RADIO ANTENNA.....	42-66	CAST REAR WHEELS (HEAVY DUTY) (8420, 8520).....	80-28
CABLE, TEMPERATURE CONTROL .....	90-18	CAST REAR WHEELS (HEAVY DUTY) (8420, 8520).....	80-30
CABLE, TOW DISCONNECT (EUROPEAN VERSION).....	51-20		
CABLE, WAGON HITCH.....	70-90		
CAMSHAFT .....	20-11		
CAMSHAFT BUSHING.....	20-11		
CAMSHAFT BUSHING.....	20-12		

## ALPHABETICAL INDEX - CONTINUED

	PAGE		PAGE
HITCH STABILIZER (EUROPEAN VERSION) .....	70-114	HOUSING, KNUCKLE (ILS) .....	55-36
HITCH SWITCH KNOB (ARMREST) .....	42-36	HOUSING, KNUCKLE (MFWD)	
HITCH VALVE .....	71-10	(8120, 8220, 8320) .....	54-24
HITCH VALVE (FRONT) .....	72-6	HOUSING, KNUCKLE (MFWD) (8420) .....	54-26
HITCH VALVE MOUNTING PARTS .....	70-100	HOUSING, OIL EVACUATION (ILS) .....	55-22
HITCH, FRONT .....	72-2	HOUSING, PTO .....	51-40
HITCH, PICK-UP (EUROPEAN VERSION) .....	70-92	HOUSING, PTO (OPTIONAL PTO)	
HOOD DELUXE HEADLIGHT .....	44-6	(1 3/4" SHAFT) (1000 RPM) .....	53-26
HOOD GUIDE STRAP .....	25-20	HOUSING, PTO (OPTIONAL PTO)	
HOOD LATCH .....	80-54	(1 3/8" SHAFT) (540/1000 RPM) .....	53-28
HOOD LINKAGE .....	80-56	HOUSING, PTO (STANDARD) (1 3/4" SHAFT)	
HOOD PIVOT .....	80-52	(1000 RPM) .....	53-24
HOOD PIVOT SPRING .....	80-56	HOUSING, PUMP DRIVE (8120, 8220, 8320) .....	53-4
HOOD SEAL .....	80-54	HOUSING, PUMP DRIVE (8420, 8520) .....	53-6
HOOD, COMPLETE ASSY .....	80-52	HOUSING, RADIO SPEAKER .....	42-60
HOOD, TOP PANEL ASSY .....	80-52	HOUSING, REAR OIL SEAL .....	20-31
HOOK, CENTER LINK TRANSPORT (EUROPEAN		HOUSING, SCAVENGE PUMP .....	51-40
VERSION) .....	70-52	HOUSING, THERMOSTAT .....	20-48
HOOK, PICK-UP HITCH (EUROPEAN VERSION) .....	70-92	HUB CAST REAR WHEELS (HEAVY DUTY)	
HORN .....	41-32	(8420, 8520) .....	80-24
HORN .....	41-33	HUB CAST REAR WHEELS (HEAVY DUTY)	
HOSE IDENTIFICATION KIT .....	70-118	(8420, 8520) .....	80-26
HOSE, AFTERCOOLER (8120, 8220, 8320) .....	35-6	HUB CAST REAR WHEELS (HEAVY DUTY)	
HOSE, AFTERCOOLER (8420, 8520) .....	35-8	(8420, 8520) .....	80-28
HOSE, CAP END (ACTIVE SEAT SUSPENSION) .....	92-12	HUB CAST REAR WHEELS (HEAVY DUTY)	
HOSE, DEAIRATION OVERFLOW .....	25-2	(8420, 8520) .....	80-30
HOSE, FUEL INLET (CIS) .....	35-39	HUB FRONT WHEEL SEAL (8120-8220) .....	80-10
HOSE, FUEL INLET (CIS) .....	35-41	HUB STEEL DISK REAR WHEELS (10-BOLT HUB)	
HOSE, FUEL OUTLET (CIS) .....	35-39	(HEAVY DUTY (8420, 8520) .....	80-36
HOSE, FUEL OUTLET (CIS) .....	35-41	HUB STEEL DISK REAR WHEELS (10-BOLT HUB)	
HOSE, HEATER .....	90-12	(NORTH AMERICAN VERSION) (8120-8320) .....	80-32
HOSE, RADIATOR .....	25-2	HUB STEEL REAR WHEELS (10-BOLT HUB)	
HOSE, ROD END (ACTIVE SEAT SUSPENSION) .....	92-12	(HEAVY DUTY) (8120, 8220, 8320) .....	80-34
HOSE, TURBO INLET (TRAILER BRAKE) .....	35-2	HUB, AUXILIARY FAN DRIVE .....	20-33
HOSE, WASTE GATE TURBO (8420,8520) .....	30-4	HUB, CAST REAR WHEELS	
HOSE, WASTEGATE TURBO (8120,8220,8320) .....	30-2	(8120, 8220, 8320) .....	80-22
HOSES, FRONT HITCH .....	72-4	HUB, CAST REAR WHEELS (HEAVY DUTY)	
HOUSING (ATC) .....	90-20	(8420, 8520) .....	80-24
HOUSING (ATC) .....	90-22	HUB, CAST REAR WHEELS (HEAVY DUTY)	
HOUSING, ARMREST ADJUSTMENT DRIVER .....	92-24	(8420, 8520) .....	80-26
HOUSING, AUXILIARY FAN DRIVE .....	20-33	HUB, CAST REAR WHEELS (HEAVY DUTY)	
HOUSING, AXLE (R.H.) (MFWD)		(8420, 8520) .....	80-28
(8120, 8220, 8320) .....	54-16	HUB, CAST REAR WHEELS (HEAVY DUTY)	
HOUSING, AXLE (R.H.) (MFWD) (8420) .....	54-18	(8420, 8520) .....	80-30
HOUSING, AXLE (8120) (100MM) .....	53-14	HUB, DIFFERENTIAL .....	53-12
HOUSING, AXLE (8120, 8220) (110MM) .....	53-16	HUB, FAN DRIVE .....	20-46
HOUSING, AXLE (8320, 8420) (110MM) .....	53-18	HUB, FAN DRIVE .....	20-47
HOUSING, AXLE (8420, 8520) (120MM) .....	53-20	HUB, FRONT WHEEL (8120-8220) .....	80-10
HOUSING, AXLE, W/CASE (L.H.) (MFWD)		HUB, HEAVY DUTY MULTI POSITION DUALS	
(8120, 8220, 8320) .....	54-12	(84420, 8520) .....	80-42
HOUSING, AXLE, W/CASE (L.H.) (MFWD)		HUB, HEAVY DUTY MULTI POSITION DUALS)	
(8420) .....	54-14	(8120, 8220, 8320) .....	80-40
HOUSING, CAB FRESH AIR FILTER .....	90-14	HUB, MULTI POSITION DUALS)	
HOUSING, CONSOLE LIGHT .....	42-73	(8120, 8220, 8320) .....	80-38
HOUSING, DIFFERENTIAL .....	53-12	HUB, PTO CLUTCH (8120, 8220, 8320) .....	53-4
HOUSING, DIFFERENTIAL (HIGH CAP) (MFWD)		HUB, PTO CLUTCH (8420, 8520) .....	53-6
(EUROPEAN VERSION) (8120, 8220, 8320) .....	54-32	HUB, WHEEL (ILS) .....	55-38
HOUSING, DIFFERENTIAL (HIGH CAP) (MFWD)		HUB, WHEEL (MFWD) (8120, 8220, 8320) .....	54-20
(EUROPEAN VERSION) (8420) .....	54-34	HUB, WHEEL (MFWD) (8420) .....	54-22
HOUSING, DIFFERENTIAL (ILS) .....	55-26	HYDRAULIC AND TRANSMISSION OIL .....	70-1
HOUSING, DIFFERENTIAL (STANDARD) (MFWD)		HYDRAULIC CYLINDER, FRONT HITCH .....	72-2
(8120, 8220, 8320) .....	54-28	HYDRAULIC DIFFERENTIAL LOCK LABEL .....	42-19
HOUSING, DIFFERENTIAL (STANDARD) (MFWD)		HYDRAULIC DIFFERENTIAL LOCK SWITCH .....	42-19
(8420) .....	54-30	HYDRAULIC MOTOR RETURN KIT, MULTIPLE .....	70-106
HOUSING, ENG. AIR CLEANER .....	35-2	HYDRAULIC MOTOR RETURN OR	
HOUSING, ENGINE OIL FILTER .....	20-42	SUMP KIT .....	70-102
HOUSING, HEATER AND A/C .....	90-18	HYDRAULIC OIL COOLER .....	70-21

## ALPHABETICAL INDEX - CONTINUED

	PAGE		PAGE
SENDER, FUEL (8120, 8220, 8320) (NORTH AMERICAN VERSION) .....	35-30	SEPARATOR PLATE, REVERSE BRAKE .....	51-26
SENDER, FUEL (8420, 8520) (NORTH AMERICAN VERSION) .....	35-32	SEPARATOR, FUEL/WATER (CIS) .....	35-39
SENDER, FUEL (8420, 8520) (NORTH AMERICAN VERSION) .....	35-34	SEPARATOR, FUEL/WATER (CIS) .....	35-41
SENSOR, AIR FILTER RESTRICTION .....	41-6	SET-UP PANEL (SUP) .....	42-28
SENSOR, AIR TEMPERATURE (ATC) .....	42-14	SET-UP PANEL (SUP) .....	42-30
SENSOR, AIR TEMPERATURE (ATC) .....	91-65	SEVEN-TERMINAL OUTLET SOCKET (EUROPEAN VERSION) .....	42-4
SENSOR, CLEAN OIL LEVEL .....	41-4	SEVEN-TERMINAL OUTLET SOCKET (NORTH AMERICAN VERSION) .....	42-2
SENSOR, COOLANT TEMPERATURE .....	20-48	SEVEN-TERMINAL OUTLET SOCKET (UKRAINIAN VERSION) .....	42-8
SENSOR, CRANKSHAFT POSITION .....	20-35	SHAFT, AUXILIARY FAN DRIVE .....	20-33
SENSOR, ENG. AIR CLEANER .....	35-2	SHAFT, AXLE (8120) (100MM) .....	53-14
SENSOR, ENGINE OIL PRESSURE .....	25-1	SHAFT, AXLE (8120, 8220) (110MM) .....	53-16
SENSOR, ENGINE SPEED .....	20-35	SHAFT, AXLE (8320, 8420) (110MM) .....	53-18
SENSOR, EVAPORATOR (ATC) .....	42-14	SHAFT, AXLE (8420, 8520) (120MM) .....	53-20
SENSOR, FUEL INJECTION PUMP POSITION (8120, 8220, 8320) .....	30-14	SHAFT, DIFFERENTIAL BEVEL PINION .....	53-12
SENSOR, FUEL INJECTION PUMP POSITION (8420, 8520) .....	30-16	SHAFT, DIFFERENTIAL BEVEL PINION (HIGH CAP) (MFWD) (EV) (8120-8320) .....	54-32
SENSOR, FUEL RAIL PRESSURE (8120, 8220, 8320) .....	30-14	SHAFT, DIFFERENTIAL BEVEL PINION (HIGH CAP) (MFWD) (EV) (8420) .....	54-34
SENSOR, FUEL RAIL PRESSURE (8420, 8520) .....	30-16	SHAFT, DIFFERENTIAL BEVEL PINION (STANDARD) (MFWD) (8120, 8220, 8320) .....	54-28
SENSOR, FUEL TEMPERATURE (ESN -232462) (PRE-PIP KIT) .....	30-10	SHAFT, DIFFERENTIAL BEVEL PINION (STANDARD) (MFWD) (8420) .....	54-30
SENSOR, FUEL TEMPERATURE (ESN 232463- ) (W/RE522687 AND RE522688) .....	30-12	SHAFT, DIFFERENTIAL BEVEL PINION (ILS) .....	55-26
SENSOR, G, FUEL INJECTION PUMP (8120, 8220, 8320) .....	30-14	SHAFT, DIFFERENTIAL INPUT (MFWD) (8120, 8220, 8320) .....	54-4
SENSOR, G, FUEL INJECTION PUMP (8420, 8520) .....	30-16	SHAFT, DIFFERENTIAL INPUT (MFWD) (8420) .....	54-6
SENSOR, HYDRAULIC OIL FILTER RESTRICTION .....	41-4	SHAFT, DIFFERENTIAL SPIRAL BEVEL .....	53-22
SENSOR, HYDRAULIC OIL PRESSURE .....	41-4	SHAFT, DRAFT SENSOR .....	70-30
SENSOR, HYDRAULIC OIL TEMPERATURE .....	41-4	SHAFT, FAN DRIVE .....	20-46
SENSOR, IFS POSITION (ILS) .....	55-40	SHAFT, FAN DRIVE .....	20-47
SENSOR, MOISTURE (ESN -232462) (PRE-PIP KIT) .....	30-10	SHAFT, HOOD CONTROL PIVOT .....	80-56
SENSOR, MOISTURE (ESN 232463- ) (W/RE522687 AND RE522688) .....	30-12	SHAFT, INPUT .....	51-30
SENSOR, PICK-UP, MAGNETIC .....	20-35	SHAFT, OUTPUT .....	51-36
SENSOR, POSITION (EUROPEAN VERSION) .....	42-5	SHAFT, OUTPUT .....	51-38
SENSOR, POSITION (NORTH AMERICAN VERSION) .....	42-3	SHAFT, PTO .....	51-40
SENSOR, POSITION (UKRAINIAN VERSION) .....	42-9	SHAFT, PTO OUTPUT (OPTIONAL PTO) (1 3/4" SHAFT) (1000 RPM) .....	53-26
SENSOR, PTO MAGNETIC PICK-UP .....	53-2	SHAFT, PTO OUTPUT (OPTIONAL PTO) (1 3/8" SHAFT) (540/1000 RPM) .....	53-28
SENSOR, PTO SPEED (STANDARD) .....	41-4	SHAFT, PTO OUTPUT (STANDARD) (1 3/4" SHAFT) (1000 RPM) .....	53-24
SENSOR, REAR PTO SPEED .....	41-4	SHAFT, ROCKER ARM .....	20-8
SENSOR, ROCKSHAFT POSITION .....	70-28	SHAFT, STEERING .....	60-6
SENSOR, ROTARY (ACTIVE SEAT SUSPENSION) .....	92-12	SHAFT, TRANSMISSION OUTPUT (ILS) .....	55-16
SENSOR, SECONDARY HAND BRAKE RESERVOIR LEVEL (EUROPEAN VERSION) .....	42-4	SHIELD SUPPORT, PTO .....	53-30
SENSOR, SELECTIVE CONTROL LEVER (ARMREST) .....	42-42	SHIELD, AIR BRAKE CONTROL VALVE (CIS VERSION) (8420, 8520) .....	60-90
SENSOR, STEERING POSITION (NOT SERVICED) .....	93-6	SHIELD, AUXILIARY DRIVE .....	25-16
SENSOR, TRANSMISSION OIL PRESSURE (ILS) .....	55-22	SHIELD, AUXILIARY DRIVE .....	25-18
SENSOR, WHEEL SPEED .....	41-4	SHIELD, DRIVELINE (MFWD) (8120, 8220, 8320) .....	54-2
SENSOR, WHEEL SPEED .....	53-10	SHIELD, DRIVELINE (MFWD) (8420) .....	54-3
SEPARATOR PLATE, DIFFERENTIAL (HIGH CAP) (MFWD) (EV) (8120-8320) .....	54-32	SHIELD, EXHAUST .....	35-10
SEPARATOR PLATE, DIFFERENTIAL (HIGH CAP) (MFWD) (EV) (8420) .....	54-34	SHIELD, EXHAUST (8120, 8220, 8320) (EUROPEAN VERSION) .....	35-16
SEPARATOR PLATE, DIFFERENTIAL (STANDARD) (MFWD) (8120, 8220, 8320) .....	54-28	SHIELD, EXHAUST (8120, 8220, 8320) (NORTH AMERICAN VERSION) .....	35-12
SEPARATOR PLATE, DIFFERENTIAL (STANDARD) (MFWD) (8420) .....	54-30	SHIELD, EXHAUST (8420, 8520) (EUROPEAN VERSION) .....	35-18
SEPARATOR PLATE, PARK BRAKE PISTON .....	51-24	SHIELD, EXHAUST (8420, 8520) (NORTH AMERICAN VERSION) .....	35-14
		SHIELD, EXHAUST VALVE .....	20-4
		SHIELD, EXTREMITY WARNING LAMP .....	44-16
		SHIELD, EXTREMITY WARNING LAMP .....	44-18

MEMORANDA  
MEMORANDA  
MEMORANDA  
MEMORANDA  
MEMORANDA  
MEMORANDA

# 20-13

ENGINE

KEY	PART NO.	PART NAME	QTY.	ENGINE SERIAL NO.	A L L	REMARKS
1	R43409	PLUG	2		X	
2	R515224	STUD	3		X	(A) (SUB FOR R114130)
3	R121765	DIPSTICK TUBE	1		X	141.5 MM (5.57")
4	AT13740	DRAIN VALVE	1		X	
5	R36599	PLUG	3		X	
	RE57836	PIPE PLUG	1		X	1/2"
6	R39741	DRAIN PLUG	1		X	
7	U13639	O-RING	1		X	
8	15H690	PIPE PLUG	1		X	3/4"
	RE71255	PIPE PLUG	1		X	
9	R42340	BUSHING	2		X	
10	R1612R	DOWEL PIN	2		X	
11	F1743R	DOWEL PIN	2		X	
12	RE71255	PIPE PLUG	6		X	
	RE71255	PIPE PLUG	1		X	
13	R43621	ORIFICE	6		X	
14	T35390	PLUG	1		X	
15	R500642	BUSHING	2		X	
16	R27149	O-RING	1		X	
17	R121929	PLUG	1		X	
18	A4365R	O-RING	1		X	
19	AR61589	PLUG	1		X	
20	R122364	BOLT	14		X	
21	R120953	BEARING CAP	6		X	(B)
	R120954	BEARING CAP	1		X	(C)
22	R82007	PLUG	1		X	
23	R87561	BUSHING	4		X	
24	R61288	DOWEL PIN	1		X	
25	15H562	PIPE PLUG	1		X	1"
26	R501255	PLUG	1		X	
27	B2762R	O-RING	1		X	
28	R515224	STUD	1		X	(SUB FOR R114130)
..	RE524764	THREADED NIPPLE	1	256768-	X	
..	T35390	PLUG	AR		X	
..	R104592	PIPE PLUG	1		X	
..	R71732	O-RING	1		X	

(A) FUEL INJECTION PUMP  
 POMPE D'INJECTION  
 KRAFTSTOFF-EINSPRITZPUMPE  
 POMPA DI INIEZIONE  
 BOMBA DE INYECCION DE COMBUSTIBLE  
 INSPRUTNINGSPUMP

(B) MAIN  
 PRNCIPAUX  
 HAUPT  
 PRINCIPALI  
 PRINCIPAL  
 HUVUD

(C) THRUST  
 EPAULEMENT  
 SCHUB  
 SPINTA  
 EMPUJE  
 TRYCK

# 20-24

ENGINE

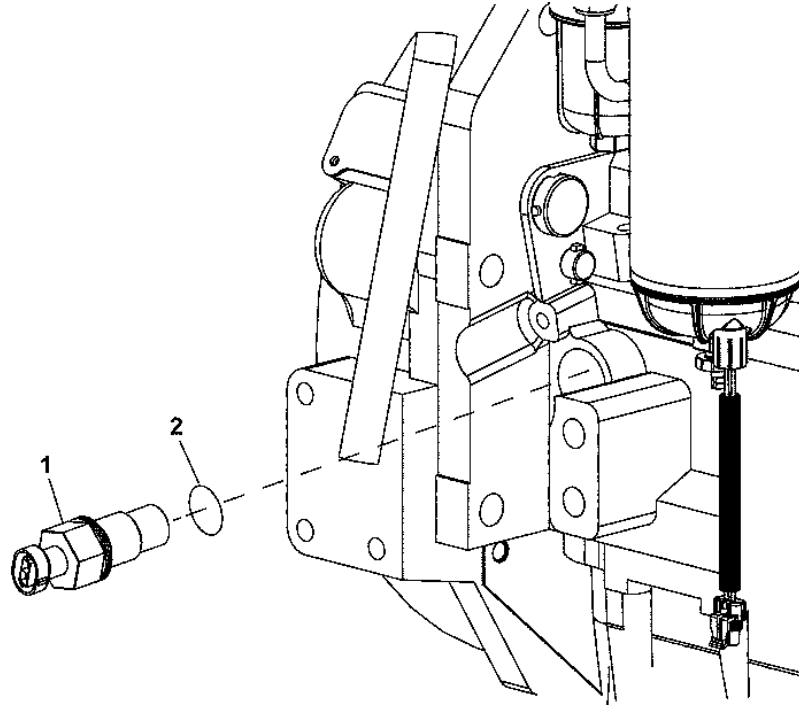
---

MEMORANDA  
MEMORANDA  
MEMORANDA  
MEMORANDA  
MEMORANDA  
MEMORANDA

# 20-35

ENGINE

MAGNETIC PICK-UP  
 OUTIL AIMANTE A MANCHE  
 MAGNETISCHER MESSWERTGEBER  
 CALAMITA RACCATTAPEZZI  
 CAPTADOR MAGNETICO  
 MAGNETISK GIVARE  
 RGP8972 -UN-19JUL02



**RGP8972**

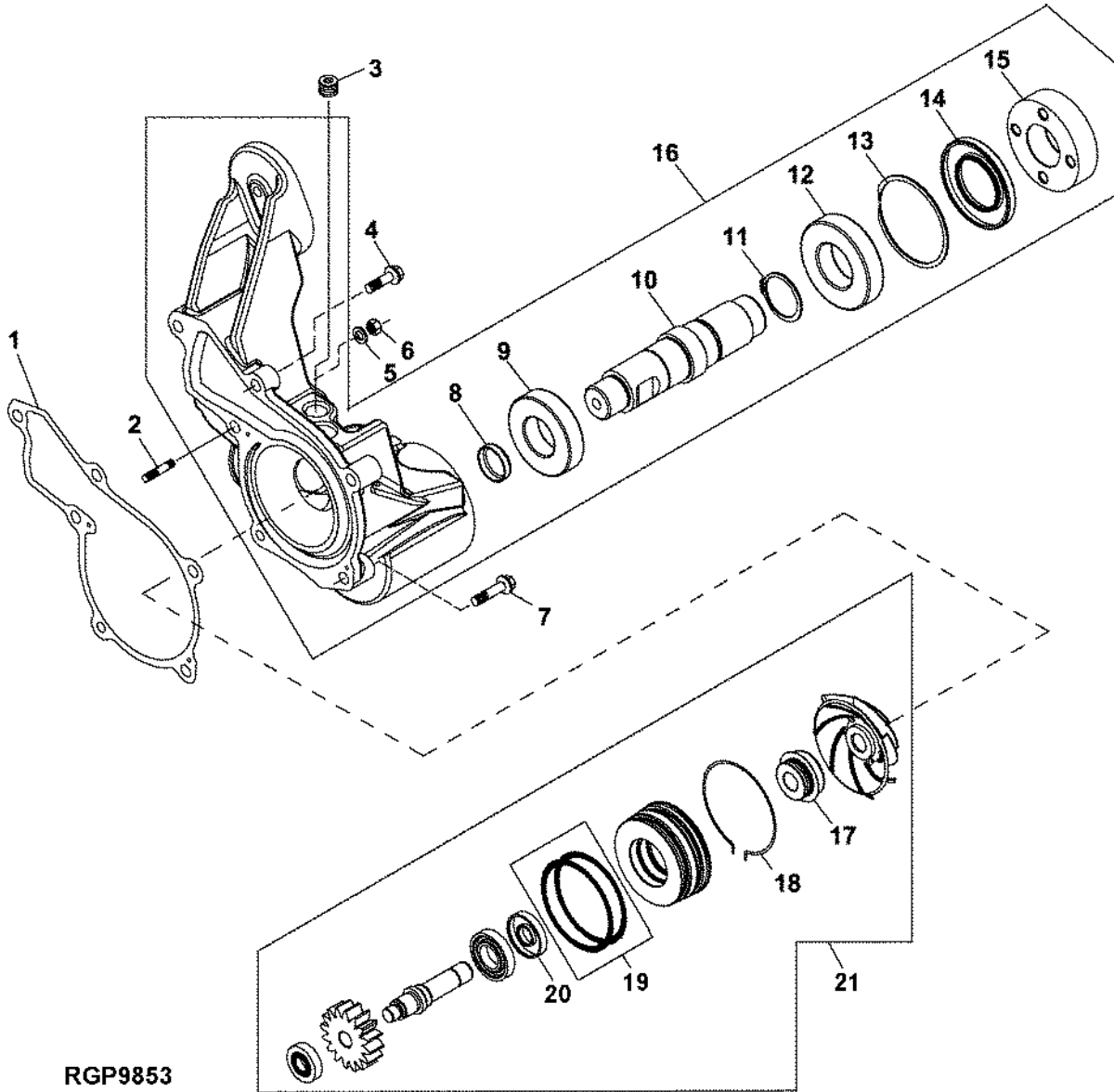
KEY	PART NO.	PART NAME	QTY.	ENGINE SERIAL NO.	A L L	REMARKS
1	RE508195	SENSOR	1		X	(SUB RE519144)
2	51M7044	O-RING	1		X	

# 20-46

ENGINE

WATER PUMP AND FAN DRIVE  
COUVERCLE DE POMPE A EAU A ET ENTRAINEMENT DE VENTILATEUR  
WASSERPUMPENABDECKUNG UND LUEFTERANTRIEB  
COPERCHIO POMPA ACQUA E COMANDO VENTOLA  
CUBIERTA DE BOMBA DE AGUAY MANDO DEL VENTILADOR  
VATTENPUMPKAAPA OCH FLAEKTDREV

RGP9853 -UN-17JUL03



RGP9853

# 25-5

FAN AND RADIATOR

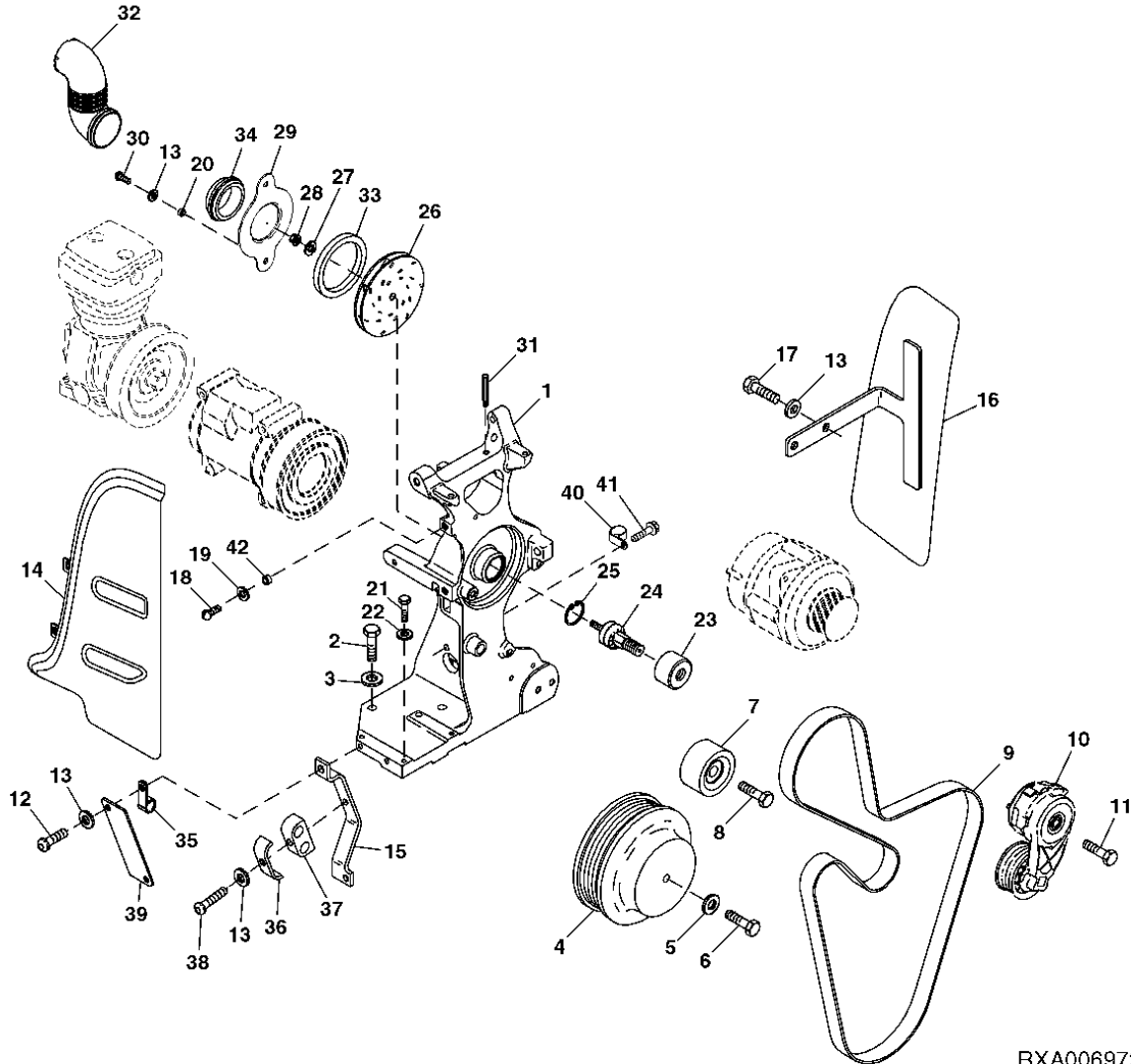
KEY	PART NO.	PART NAME	QTY.	TRACTOR	8 8 8	REMARKS
				SERIAL NO.	1 2 3	
					2 2 2	
					0 0 0	
1	R193835	SEAL	1		X X X	
2	RE175226	SUPPORT	1		X X X	
3	24M7055	WASHER	2		X X X	8.400 X 16 X 1.600 MM
4	24M7096	WASHER	8		X X X	10.500 X 18 X 1.600 MM
5	RE175218	SUPPORT	1		X X X	HS 10.9
6	RE172429	SUPPORT	1		X X X	
	R216191	PAD	1		X X X	
7	AT139776	ISOLATOR	2		X X X	
8	24M7180	WASHER	2		X X X	13 X 37 X 3 MM
9	14M7275	NUT	2		X X X	M12
10	RE171270	RADIATOR RESERVOIR	2		X X X	
11	RE172433	GASKET	2		X X X	
12	RE245228	RADIATOR	1		X X X	(SUB FOR RE186715)
13	RE175219	SUPPORT	1		X X X	
14	R209720	PIN FASTENER	8		X X X	(ALSO ORDER 24M7096)
15	RE164817	AFTERCOOLER	1		X X X	
	R216190	PAD	1		X X X	
16	RE172428	SUPPORT	1		X X X	
	R216189	PAD	1		X X X	
17	R122267	CLAMP	4		X X X	
18	RE186531	SUPPORT	1		X X X	
19	R183651	SPRING	1		X X X	LH
	R183652	SPRING	1		X X X	RH
20	40M7080	SNAP RING	2		X X X	
21	19M7865	SCREW	2		X X X	M8 X 16
22	R130951	FITTING	1		X X X	
23	AT13740	DRAIN VALVE	1		X X X	

# 25-16

FAN AND RADIATOR

AUXILIARY DRIVE AND SHIELDS  
POULIE/TENDEUR/DISPOSITIF DE PROTECTION  
RIEMENSCHIEBE/ZWISCHENSCHIEBE/ABDECKUNG  
PILEGGIA/PULEGGIA FOLLE/PROTEZIONE  
POLEA/POLEA TENSORA/ESCUDO  
REMSKIVA/TOMGAANGSSKIVA/SKDD

RXA0069724 -UN-31JUL03



RXA0069724

# 30-5

## TURBOCHARGER, MANIFOLDS AND FUEL

KEY	PART NO.	PART NAME	QTY.	ENGINE SERIAL NO.	8 8 4 5 2 2 0 0	REMARKS
1	R89879	GASKET	1		X X	
2	T11180	ELBOW FITTING	1		X X	
3	RE508711	TURBOCHARGER	1		X	(A) (BORG WARNER)
	RE516212	TURBOCHARGER	1		X	(A)
	R134028	HOSE	1		X X	
4	R54500	SCREW	4		X X	
5	24H1305	WASHER	4		X X	
6	R105346	GASKET	1		X X	
7	R122618	SCREW	2		X X	
8	RE505944	OIL LINE	1		X X	(B)
9	R120138	SLEEVE	1		X X	
10	R120187	ELBOW FITTING	1		X X	
11	RE524764	THREADED NIPPLE	1	256768-	X X	
12	RE516170	OIL LINE	1		X X	(C) (INCLUDES R67092)
13	24H1886	WASHER	1		X X	
14	19H2731	CAP SCREW	1		X X	
15	19H1325	CAP SCREW	1		X X	
16	12H304	LOCK WASHER	1		X X	
17	T28862	CLAMP	1		X X	
18	R504765	BRACKET	1		X X	
19	.....	OIL FILTER	1		X X	

(A) REMANUFACTURED  
ECHANGE STANDARD  
GENERAUEBERHOLT  
RIGGATTO  
REFABRICADO POR  
RENOVERAD

(B) OUTLET  
SORTIE  
AUSLASS  
USCITA  
SALIDA  
UTLOPP

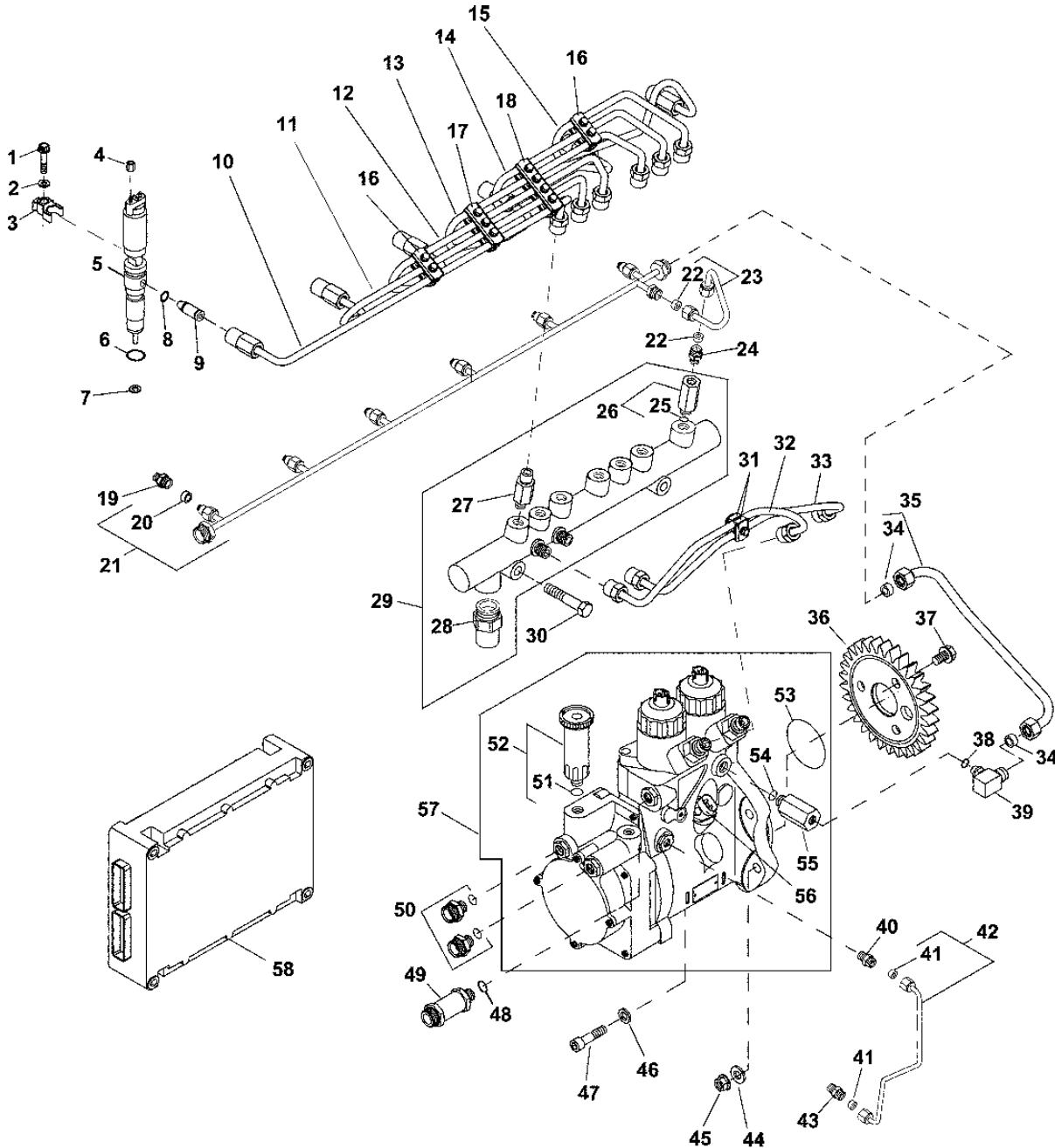
(C) INLET  
ENTREE  
EINLASS  
ENTRATA  
ENTRADA  
INLOPP

# 30-16

TURBOCHARGER, MANIFOLDS AND FUEL

FUEL INJECTION PUMP, FUEL LINES AND ENGINE CONTROLLER (8420,8520)  
POMPE D'INJECTION/TUYAUX D'INJECTION/CONTROLEUR DE MOTEUR (8420,8520)  
KRAFTSTOFF-EINSPRITZPUMPE/KRAFTSTOFFLEITUNGEN/MOTOR-STEUERUNG (8420,8520)  
POMPA DI INIEZIONE/TUBAZIONI COMBUSTIBILE/UNITA DI CONTROLLO DEL MOTORE (8320,8420)  
BOMBA DE INYECCION DE COMBUSTIBLE/TUBERIAS DE COMBUSTIBLE/CONTROLADOR DEL M(8420,8520)  
INSPRUTNINGSPUMP/BRANSLELEDNINGAR/MOTORSTHRENHET (8420,8520)

RGP9155 -UN-29OCT02



RGP9155

# 35-7

AIR AND FUEL TANK



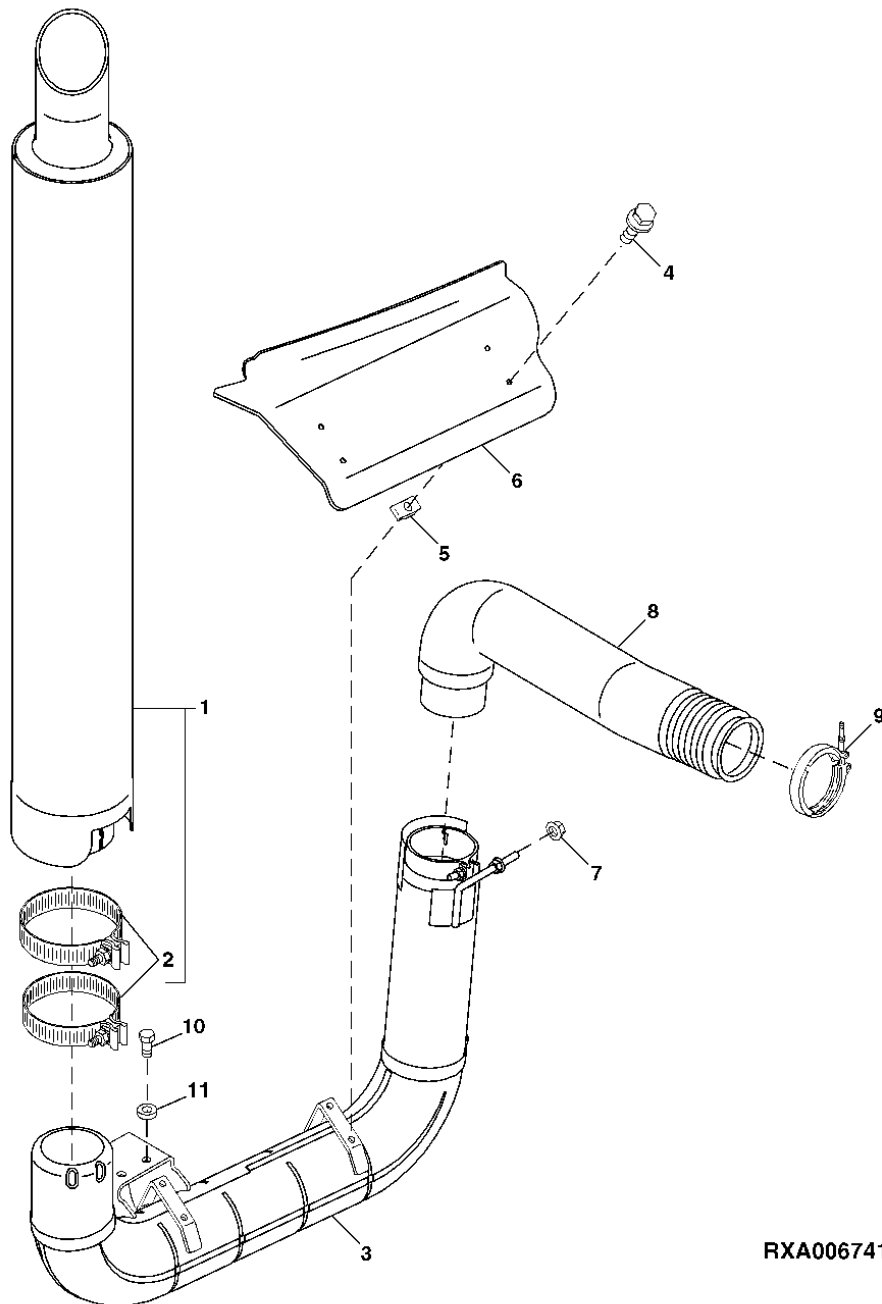
KEY	PART NO.	PART NAME	QTY.	TRACTOR SERIAL NO.			REMARKS
				8 8 8	1 2 3	2 2 2	
1	RE164817	AFTERCOOLER	1	X	X	X	
2	RE52702	CLAMP	6	X	X	X	
3	R193882	HOSE	1	X	X	X	
4	R164193	HOSE	1	X	X	X	
5	R164837	PIPE	1	X	X	X	
6	19M7810	SCREW	1	X	X	X	M10 X 80, HS 10.9
7	R111156	CLIP	1	X	X	X	
8	H141836	BUSHING	1	X	X	X	-023643 12.522 X 17.145 X 25.400 MM
	28H3467	SPACER	1	023644-	X	X	X 0.493" X 0.675" X 1-1/8"
9	R184314	HOSE	1	X	X	X	

# 35-18

AIR AND FUEL TANK

EXHAUST SYSTEM (EUROPEAN VERSION)  
ECHAPPEMENT (VERSION EUROPEENNE)  
ABGASANLAGE (EUROPAEISCHE AUSFUEHRUNG)  
SCARICO (VERSIONE EUROPEA)  
SISTEMA DE ESCAPE (VERSION EUROPEA)  
AVGASSYSTEM (EUROPEISK VERSION)

RXA0067418 -UN-31MAY03



RXA0067418

# 35-29

AIR AND FUEL TANK

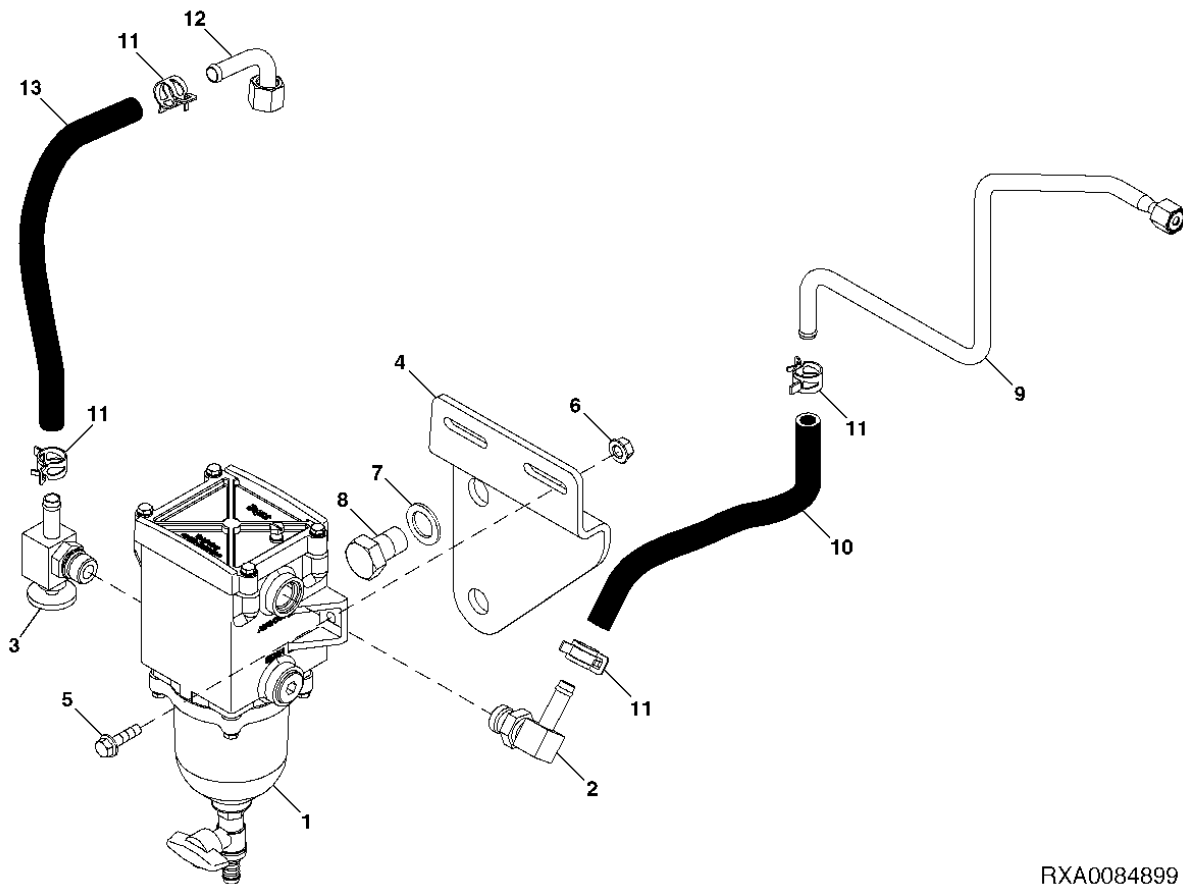
KEY	PART NO.	PART NAME	QTY.	TRACTOR SERIAL NO.	8 1 2 2 0 0 0	REMARKS
1	RE233976	FUEL TANK	1	-027621	X X X	(B) (SUB FOR RE212908, RE193663 OR RE218215) (ALSO ORDER AH162914) (SUB RE237810)
	RE237810	FUEL TANK	1		X X X	(B)
	RE219865	FUEL TANK	1	011661-027615	X X X	(C) (SUB FOR RE212907 OR RE218216) (ALSO ORDER AH162914) (SUB RE237809)
2	RE237809	FUEL TANK	1		X X X	(C)
	R120233	O-RING	1	-027621	X X X	
	H172014	GASKET	1	027622-	X X X	
3	R116933	FUNNEL	1	-027621	X X X	
	AH165079	ADAPTER FITTING	1	027622-	X X X	
4	RE58873	FILLER CAP	1	-027621	X X X	
	RE234193	FILLER CAP	1	027622-	X X X	
5	RE158953	CHAIN LINK	1	-027621	X X X	
	RE195050	CHAIN KIT	1	027622-	X X X	
	AH159448	LINK CHAIN	1	027622-	X X X	
	H174831	ANCHOR	1	027622-	X X X	
	T164203	SCREW	1	027622-	X X X	
6	RE179976	CHECK VALVE	1		X X X	
	R237815	VENT	1		X X X	(SUB FOR R114022)
	R114023	GROMMET	1		X X X	
7	14H631	NUT	1		X X X	0.190", (ALSO ORDER 12M7060)
8	19M7640	CAP SCREW	6		X X X	M5 X 12
9	R95430	GASKET	1		X X X	
10	R193067	ANGLE	1		X X X	L.H.
11	R56101	CLIP	2		X X X	
12	R169364	HYDRAULIC HOSE - FABRICATE	1		X X X	
13	RE215338	FUEL SENDER	1	-023930	X X X	(SUB FOR RE173658) (SUB RE221702) (ALSO ORDER RE231108)
	RE221702	FUEL SENDER	1	023931-	X X X	
14	RE52504	BREATHER	1		X X X	
15	R193066	STRAP	1		X X X	(B) R.H.
	R193065	STRAP	1	011661-	X X X	(C)
16	19M7402	CAP SCREW	2		X X X	M10 X 25, HS 10.9
17	24M7346	WASHER	11		X X X	11 X 20 X 2 MM
18	R166377	STRAP	2		X X X	
19	19M7403	CAP SCREW	2		X X X	M12 X 35, HS 10.9
20	R193050	PLATE	1		X X X	R.H.
21	19M7550	CAP SCREW	1		X X X	M10 X 35, HS 10.9
22	19M7938	CAP SCREW	10		X X X	M10 X 20, HS 10.9
23	24M7345	WASHER	2		X X X	13.500 X 24 X 2.500 MM
24	R193051	PLATE	1	-015198	X X X	L.H.
	R218210	PLATE	1	015199-	X X X	
25	AH162914	STRAINER	1		X X X	(E)
26	R122754	GASKET	1	-027622	X X X	
27	H137447	NUT	2		X X X	
28	R193187	HALF CLAMP	1		X X X	
29	19M7865	SCREW	1		X X X	M8 X 16
	(A) CROSSOVER HOSE					(C) LARGE CHASSIS
	FLEXIBLE DE RACCORDEMENT	(B) SMALL CHASSIS				GRAND CHASSIS
	QUERVERBINDUNGSSCHLAUCH	PETIT CHASSIS				GROSSES CHASSIS
	TUBO FLISSIBILE INCROCIATO	KLEINES CHASSIS				TELAIO GRANDE
	MANGUERA DE TRASPASO	TELAIO PICCOLO				CHASSIS GRANDE
	OEVERGAANGSSLANG	CHASSIS PEQUE-O				
	(D) FUEL SENDER					(E) OPTIONAL
	CAPTEUR DE CARBURANT					EN OPTION
	KRAFTSTOFF-MESSWERTGEBER					SONDERZUBEHOER
	TRASMETTITORE DEL LIVELLO DEL CARBURANTE					FACOLTATIVO
	EMISOR COMBUSTIBLE					OPCIONAL
	BRAENSLEGIVARE					VALFRITT

# 35-40

AIR AND FUEL TANK

WATER SEPARATOR (CIS VERSION)  
SEPARATEUR D'EAU(VERSION CIS)  
WASSERABSCHEIDER(CIS AUSFUEHRUNG)  
SEPARATORE D'ACQUA(VERSIONE CIS)  
SEPARADOR DE AGUA(VERSION CIS)  
VATTENAVSKILJARE(CIS VERSION)

RXA0084899 -UN-09NOV05



RXA0084899

# 40-7

## ELECTRICAL CONNECTORS

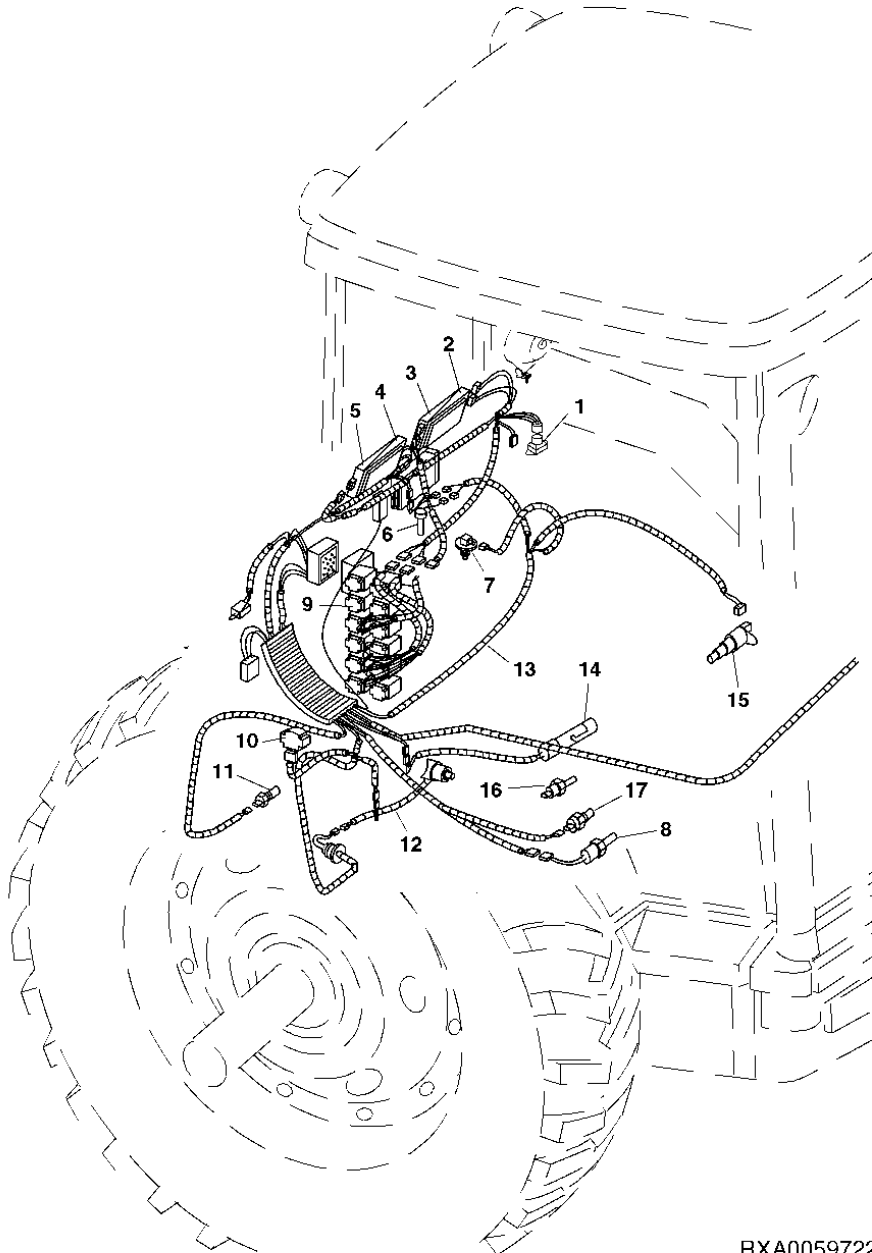
KEY	PART NO.	PART NAME	QTY.	TRACTOR SERIAL NO.	A L L	REMARKS
1	57M7315	ELEC. CONNECTOR ACCESSORY	1		X	
2	57M7258	ELEC. CONNECTOR ACCESSORY	AR		X	
3	R104846	ELEC. CONNECTOR TERMINAL	AR		X	(16 GA.)
4	57M7266	ELECTRICAL CONNECTOR ASSY	1		X	
5	57M7267	ELEC. CONNECTOR HOUSING	1		X	
6	R104919	ELEC. CONNECTOR TERMINAL	AR		X	(18 GA.)
7	57M7316	CONNECTOR	1		X	
8	57M7254	ELECTRICAL CONNECTOR ASSY	1		X	
9	57M7256	ELECTRICAL CONNECTOR ASSY	1		X	
10	57M7317	ELEC. CONNECTOR ACCESSORY	1		X	
11	57M7255	ELEC. CONNECTOR TERMINAL	1		X	
12	57M7257	ELEC. CONNECTOR HOUSING	1		X	
13	57M7318	ELEC. CONNECTOR ACCESSORY	1		X	
14	57M7247	ELEC. CONNECTOR HOUSING	1		X	
15	57M7244	ELEC. CONNECTOR TERMINAL	1		X	
16	57M7291	ELECTRICAL CONNECTOR ASSY	1		X	
17	57M7260	ELEC. CONNECTOR HOUSING	1		X	
18	57M7263	ELEC. CONNECTOR HOUSING	1		X	
19	57M7296	ELEC. CONNECTOR ACCESSORY	1		X	
20	57M7261	ELEC. CONNECTOR HOUSING	1		X	
21	57M7264	ELEC. CONNECTOR HOUSING	1		X	
22	57M7283	ELECTRICAL CONNECTOR ASSY	1		X	
23	57M7306	ELECTRICAL CONNECTOR ASSY	1		X	
24	57M7298	ELEC. CONNECTOR TERMINAL	AR		X	(14-16 GA.)
	57M7299	ELEC. CONNECTOR TERMINAL	AR		X	(12 GA.)
25	57M7309	ELEC. CONNECTOR TERMINAL	1		X	
26	57M7304	ELECTRICAL CONNECTOR ASSY	1		X	
27	57M7286	ELEC. CONNECTOR TERMINAL	AR		X	(12 GA.)
	57M7277	ELEC. CONNECTOR TERMINAL	AR		X	(14-16 GA.)
28	R78063	ELEC. CONNECTOR SEAL	AR		X	
29	57M7274	ELEC. CONNECTOR ACCESSORY	1		X	
30	R78059	ELEC. CONNECTOR SEAL	AR		X	
31	57M7280	ELECTRICAL CONNECTOR ASSY	1		X	
32	57M7305	ELECTRICAL CONNECTOR ASSY	1		X	
33	57M7307	ELECTRICAL CONNECTOR ASSY	1		X	
34	R78064	ELEC. CONNECTOR CAVITY PLUG	AR		X	
35	57M7259	ELEC. CONNECTOR CAVITY PLUG	AR		X	
36	57M7364	ELEC. CONNECTOR HOUSING	1		X	

# 41-4

## ENGINE AND CHASSIS WIRING HARNESS

WIRING HARNESS (ENGINE AND CHASSIS)  
FAISCEAU DE FILS (MOTEUR ET CHASSIS)  
KABELBAUM (MOTOR UND CHASSIS)  
CABLAGGIO (MOTORE E TELAI)  
GRUPO DE CABLES (MOTOR Y CHASIS)  
KABELHAERVA (MOTOR OCH CHASSI)

RXA0059722 -UN-07MAR02



RXA0059722

# 41-15

ENGINE AND CHASSIS WIRING HARNESS

KEY	PART NO.	PART NAME	QTY.	TRACTOR SERIAL NO.	A L L	REMARKS
1A	RE203001	SUPPORT	1		X	(SUB RE205613) (SUB FOR RE194184)
1B	RE205613	SUPPORT	1		X	(SUB RE229020)
1C	RE229020	SUPPORT	1		X	
2	RE235734	RADAR SENSOR	1		X	(SUB FOR RE184684 OR RE206770)
	RE235739	RADAR SENSOR	1		X	(A) (SUB FOR RE184694 OR RE206771)
3	19M7139	CAP SCREW	6		X	M8 X 20
4	L65000	LABEL	1		X	
5A	R202998	SHIELD	1		X	(SUB R205004) (SUB FOR R194185)
5B	R205004	SHIELD	1		X	
6	24M7346	WASHER	6		X	11 X 20 X 2 MM
7	19M7938	CAP SCREW	6		X	M10 X 20
8	RE52645	WIRING HARNESS	1	-026320	X	(INCLUDES 57M7257, 57M7290, (3) 57M7258, (3) R104919 AND RE42193, (4) R78057, (4) R78059)
	RE234374	WIRING HARNESS	1	026321-	X	
9	AT116162	ISOLATOR	3		X	
10	RE229015	BRACKET	1		X	
11	14M7400	LOCK NUT	3		X	M10, (USE WITH RE229015)
12	19M8637	CAP SCREW	3		X	M10 X 40, (USE WITH RE229015)
13	24M7178	WASHER	3		X	10.500 X 30 X 2.500 MM. (USE WITH RE229015)
14	RE237262	FIELD INSTALLATION KIT	1		X	(SUB FOR RE233805)
	RE237263	FIELD INSTALLATION KIT	1		X	(A) (SUB FOR RE233806)

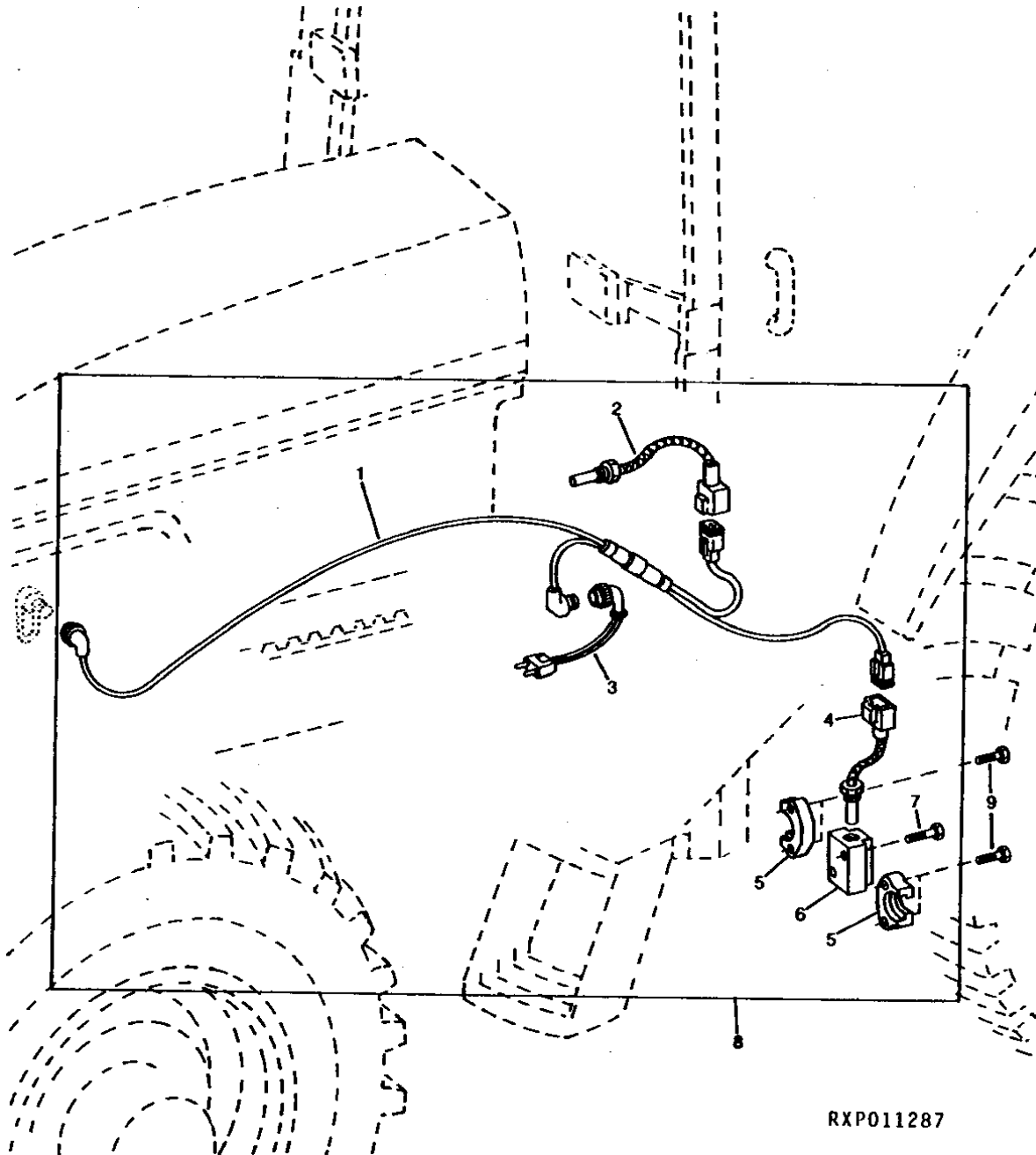
(A) UNITED KINGDOM  
ROYAUME-UNI  
ENGLAND  
REGNO UNITO  
REINO UNIDO  
ENGLAND

# 41-26

ENGINE AND CHASSIS WIRING HARNESS

COLD WEATHER START KIT (EUROPEAN VERSION)  
JEU D'AIDE AU DEMARRAGE PAR TEMPS FROID (VERSION EUROPEENNE)  
KALTSTART-BAUSATZ (EUROPAEISCHE AUSFUEHRUNG)  
KIT AVVIAMENTO PER LA STAGIONE FREDDA (VERSIONE EUROPEA)  
CONJUNTO DE ARRANQUE PARA TIEMPO FRIO (VERSION EUROPEA)  
SATS FOER START I KALLT VAEDER (EUROPEISK VERSION)

RXP011287 -UN-01JAN94



RXP011287

# 41-37

ENGINE AND CHASSIS WIRING HARNESS

KEY	PART NO.	PART NAME	QTY.	TRACTOR SERIAL NO.	A	REMARKS
					L	
1	R83562	WIRE	1		X	
2	RE49242	SWITCH	1		X	
	37H24	SCREW	1		X	1/4" X 3/4"
3	19H1914	CAP SCREW	2		X	1/4" X 1"
4	14H786	NUT	2		X	1/4"
5	12H302	LOCK WASHER	2		X	1/4"
6	TY22473	CLAMP	1		X	
	TY22475	CLAMP	1		X	
7	19H1914	CAP SCREW	2		X	1/4" X 1"
8	14H786	NUT	2		X	1/4"
9	12H302	LOCK WASHER	2		X	1/4"
10	R78053	CONNECTOR	1		X	(ALSO ORDER (2) R78061 AND R78063)
11	RE12363	ELECTRICAL CONNECTOR ASSY	1		X	(ALSO ORDER (2) R78060, (2) R78063 AND R78048)
12	RE21099	WIRING HARNESS	1		X	
13	<b>RE21519</b>	<b>KIT</b>	<b>1</b>		<b>X (FI)</b>	
14	RE12363	ELECTRICAL CONNECTOR ASSY	1		X	(ALSO ORDER (2) R78060, (2) R78063 AND R78048)
15	RE63376	WIRING HARNESS	1		X	

# 42-6

OPERATOR'S STATION ELECTRICAL

---

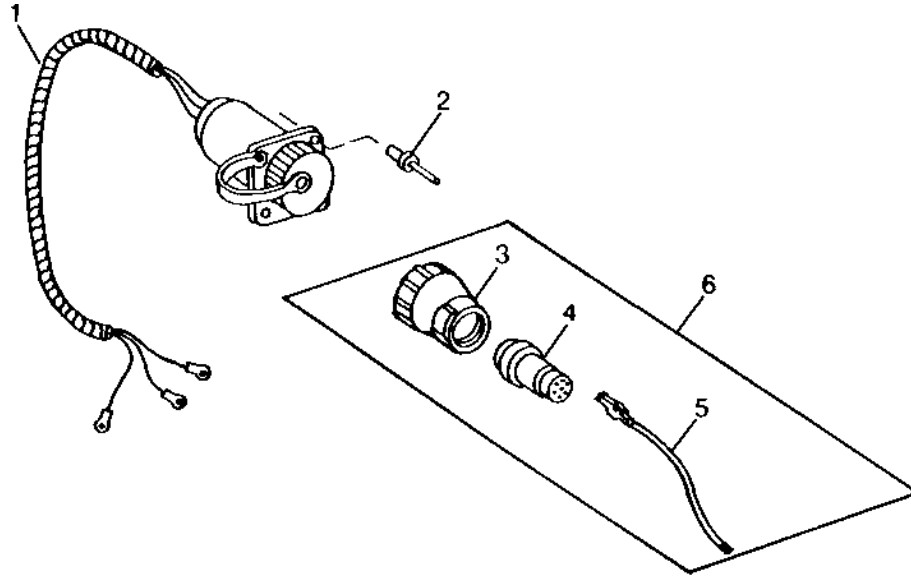
MEMORANDA  
MEMORANDA  
MEMORANDA  
MEMORANDA  
MEMORANDA  
MEMORANDA

# 42-17

OPERATOR'S STATION ELECTRICAL

CONVENIENCE OUTLET SOCKET  
 PRISE FEMELLE ELECTRIQUE PATIQUE  
 ZUSATZSTECKDOSE  
 PRESA DI CORRENTE DI EMERGENZA  
 CASQUILLO DE TOMA ELECTRICA DE SERVICIO  
 UTTAG FOER EXTRA ELUTRUSTNING

RE026153 -UN-07MAR95



RE026153

KEY	PART NO.	PART NAME	QTY.	TRACTOR SERIAL NO.	A L L	REMARKS
1	RE51091	WIRING HARNESS	1	-XXXXXX	X	
	RE241869	WIRING HARNESS	1	XXXXXX-	X (B)	
2	R108166	RIVET	4		X	
3	RE48029	CLAMP	1		X	
4	AE44929	ELECTRICAL CONNECTOR ASSY	1		X	
5	RE48028	WIRING LEAD	3		X	
6	RE37651	PLUG	1		X	
..	R81207	COVER	1		X (A)	

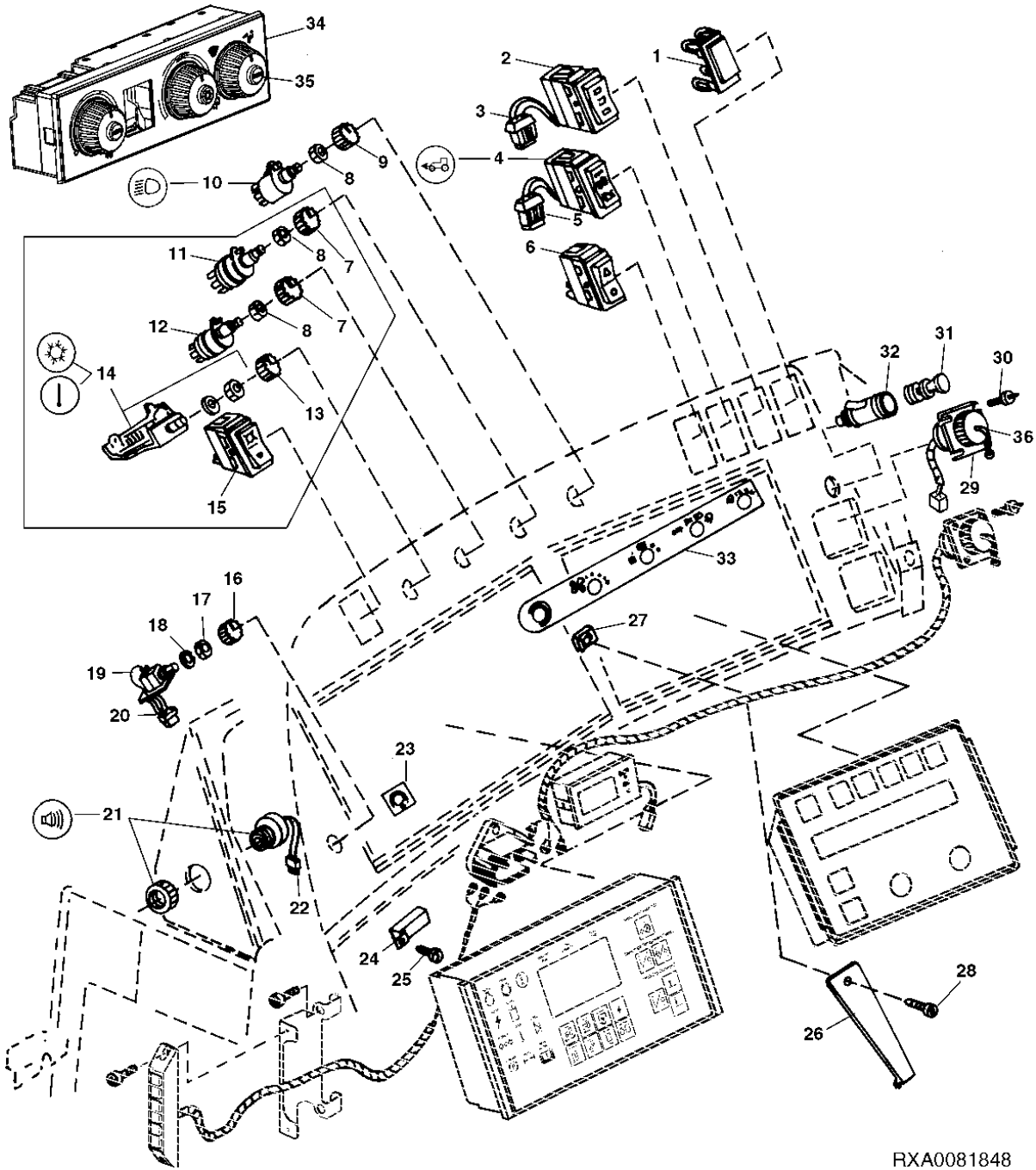
(A) W/O CONVENIENCE OUTLET SOCKET  
 W/O PRISE ELECTRIQUE AUXILIARE  
 W/O GERAETEANSCHLUSS  
 W/O PRESA AUSILIARIA  
 W/O TOMACORRIENTE AUXILIAR  
 W/O EXTRA STROEMUTTAG  
 (B) EUROPEAN VERSION  
 VERSION EUROPEENNE  
 EUROPAEISCHE AUSFUEHRUNG  
 VERSIONE EUROPEA  
 VERSION EUROPEA  
 EUROPEISK VERSION

# 42-28

OPERATOR'S STATION ELECTRICAL

CONSOLE CONTROLS AND SWITCHES  
CONSOLE, COMMANDES ET INTERRUPTEURS  
KONSOLEN-BEDIENUNGSELEMENTE UND-SCHALTER  
INTERRUTTORI E COMANDI DELLA CONSOLE  
CONTROLES E INTERRUPTORES EN LA CONSOLA  
KONSOL, REGLAGE OCH KONTAKTER

RXA0081848 -UN-12JUL05



RXA0081848

# 42-39

OPERATOR'S STATION ELECTRICAL

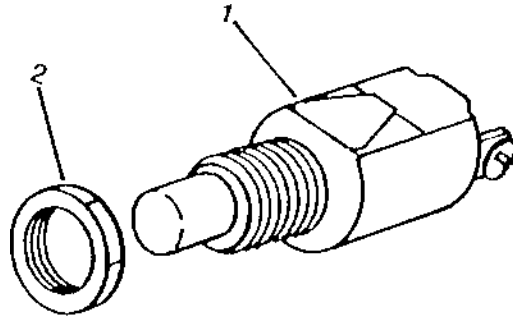
KEY	PART NO.	PART NAME	QTY.	TRACTOR SERIAL NO.	A L L	REMARKS
1	R115850	SCREW	2		X	
2	RE229376	ELECTRONIC CONTROL UNIT	1		X	(SUB FOR RE181568)
3	R113246	SCREW	2		X	
4	R107588	COVER	1		X	
5	24M7146	WASHER	1		X	4.300 X 12 X 1 MM

# 42-50

OPERATOR'S STATION ELECTRICAL

DOOR LIGHT SWITCH  
 PORTE, INTERRUPTEUR D'ECLAIRAGE  
 TUER-LICHTSCHALTER  
 INTERRUPTORE DELLA LUCE DELLA PORTA  
 INTERRUPTOR DE LUZ DE PUERTA  
 DOERR, BELYSNINGSKONTAKT

RXP011179 -UN-01JAN94



RXP011179

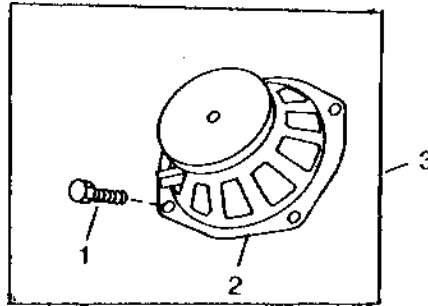
KEY	PART NO.	PART NAME	QTY.	CAB SERIAL NO.	A L L	REMARKS
1	RE51234	PUSH SWITCH	1		X	
2	R44097	NUT	1		X	

# 42-61

OPERATOR'S STATION ELECTRICAL

**REAR SPEAKER (KIT) (EUROPEAN VERSION)**  
**JEU DE HAUT-PARLEUR ARRIERE (VERSION EUROPEENNE)**  
**HINTERER LAUTSPRECHERSATZ (EUROPEAEISCHE AUSFUEHRUNG)**  
**KIT DELL'ALTOPARLANTE ANTERIORE (VERSIONE EUROPEA)**  
**JUEGO DE ALTOPARLANTE TRASERO (VERSION EUROPEA)**  
**BAKRE HOEGTALARSATS (EUROPEISK VERSION)**

RXP011213 -UN-01JAN94



RXP011213

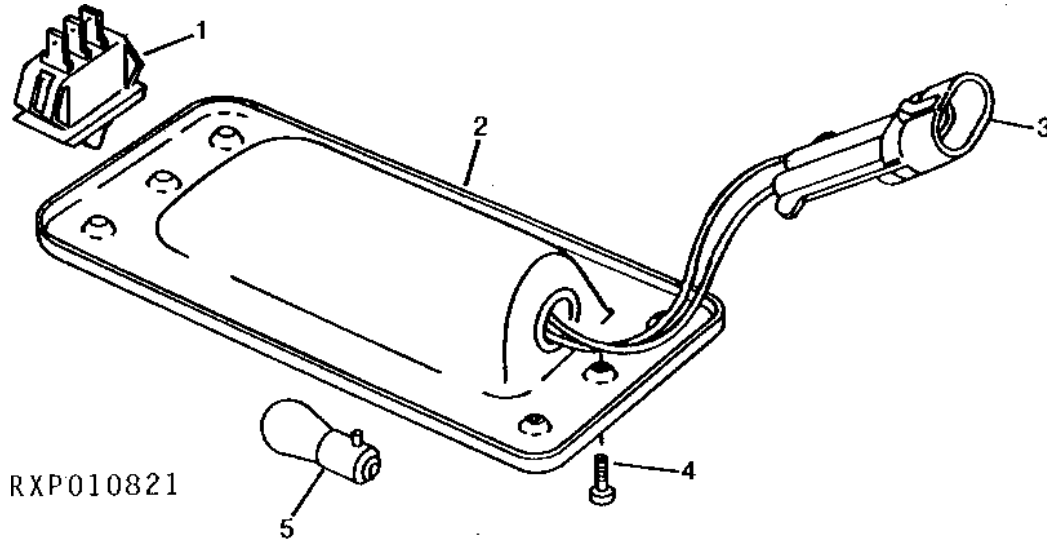
KEY	PART NO.	PART NAME	QTY.	CAB SERIAL NO.	A L L	REMARKS
1	37M7218	SCREW	8		X	
2	RE61546	SPEAKER	2		X	(6") (4 OHM)
3	AR114564	KIT	1		X	(FI)

# 42-72

OPERATOR'S STATION ELECTRICAL

DOME LIGHT AND SWITCH  
 PLAFONNIER ET INTERRUPTEUR  
 KABINENBELEUCHTUNG UND SCHALTER  
 INTERRUTTORE E LUCE A PLAFONIERA  
 LUZ DEL TECHO E INTERUPTOR  
 TAKLAMPA OCH KONTAKT

RXP010821 -UN-01JAN94



RXP010821

KEY	PART NO.	PART NAME	QTY.	CAB SERIAL NO.	A L L	REMARKS
1	RE48838	TOGGLE/ROCKER SWITCH	1		X	
2	RE44590	LAMP	1		X	
3	57M7256	CONNECTOR	1		X	(ALSO ORDER (2) R104919, (2) 57M7258 AND 57M7316)
4	37M7063	SCREW	2		X	
5	RE47095	BULB	1		X	

# 43-5

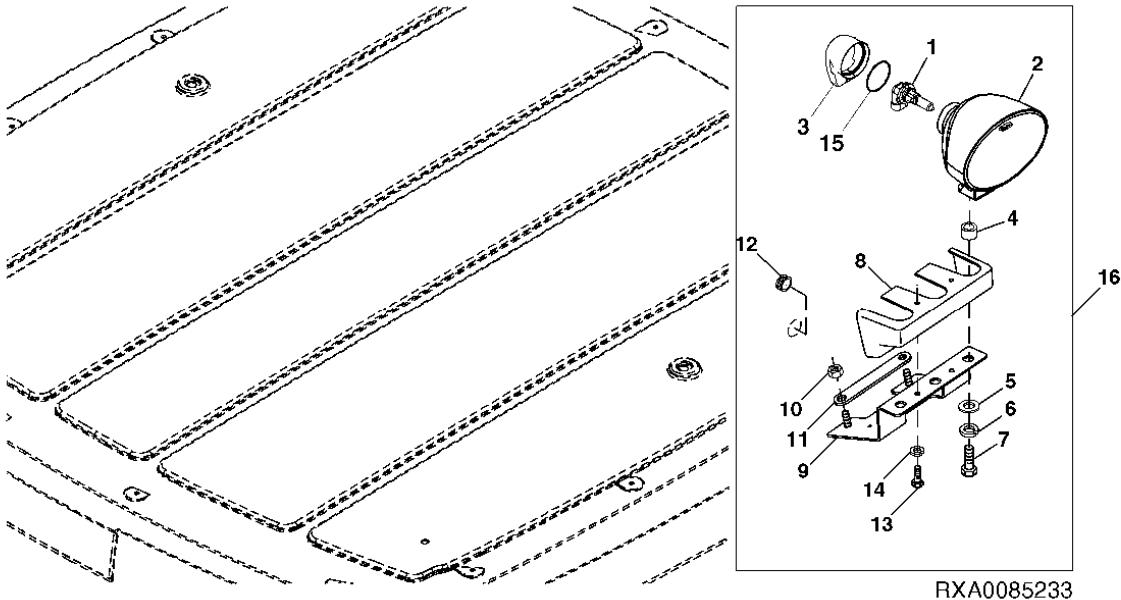
## ALTERNATOR, STARTER, BATTERY AND BATTERY CABLE

KEY	PART NO.	PART NAME	QTY.	ENGINE SERIAL NO.	A	REMARKS
					L	
1	E55662	FLANGE NUT	1		X	
2	24H1303	WASHER	2		X	13/32" X 11/16" X 0.065"
3	19H3219	CAP SCREW	2		X	3/8" X 1-3/8", HS SAE 8
4	T146102	LABEL	1		X	(ENGLISH)
5	R96703	TIE BAND	1		X	
6	RE70756	KIT	1		X	
7	RE70957	STARTER MOTOR KIT	1		X	(MARKED RE69704) (ALSO ORDER RE70756) (DENSO NO.228000-6530)
	TY24439	STARTER MOTOR	1		X	(A)
8	T146106	SAFETY SIGN	1		X	(ESPANOL)
	T146104	SAFETY SIGN	1		X	(FRANCAIS)
	T146515	SAFETY SIGN	1		X	(DEUTSCH)
	T146516	SAFETY SIGN	1		X	(ITALIANO)
	T146517	SAFETY SIGN	1		X	(ENGLISH/FRANCAIS)
9	R135510	O-RING	1		X	
10	RE70487	CLUTCH	1		X	(NOT AS SHOWN)
11	R135509	SEAL	1		X	
12	RE70486	SWITCH	1		X	
13	R515224	STUD	1		X	
..	RE71256	SCREW WITH WASHER	1		X	

(A) REMANUFACTURED  
 ECHANGE STANDARD  
 GENERAUEBERHOLT  
 RIGATTO  
 REFABRICADO POR  
 RENOVERAD

**ROOF SIDE WORK LAMP  
PROJECTEUR LATERAL DE TOIT  
SEITICHER DACH-ARBEITSSCHEINWERFER  
LUCE DI LAVORO LATERALE SUL TETTO  
LUZ DE TRABAJO LATERAL DE TECHO  
SIDARBETSLYKTA PAA TAKET**

RXA0085233 -UN-01DEC05



RXA0085233

KEY	PART NO.	PART NAME	QTY.	TRACTOR SERIAL NO.	A L L	REMARKS
1	RE179326	BULB	2		X	
2	RE181281	FLOODLAMP	2		X	
3	R175462	BOOT	2		X	
4	R183947	SPACER	2		X	
5	24M7047	WASHER	8		X	13 X 24 X 2.500 MM
6	12H301	LOCK WASHER	4		X	1/2"
7	19M7303	CAP SCREW	2		X	M12 X 45
8	R180279	COVER	2		X	
9	RE180281	BRACKET	2		X	
10	14M7517	LOCK NUT	4		X	M10
11	R131714	SUPPORT	2		X	
12	R113023	GROMMET	2		X	
	R81207	COVER	2		X	(A)
13	37M7334	SCREW	8		X	M4 X 20
14	24M7419	WASHER	8		X	4.300 X 12 X 1 MM
15	R252736	BAND	2		X	
16	RE187746	FIELD INSTALLATION KIT	1		X	RH AND LH

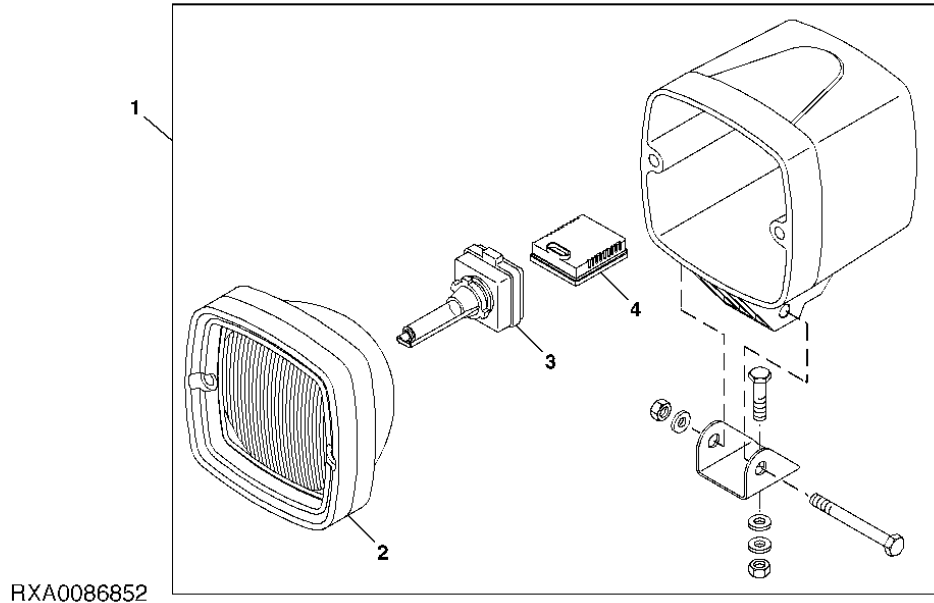
(A) W/O SIDE FLOOD LAMP  
W/O PROJECTEUR LATERAL  
W/O SEITEN-ARBEITSSCHEINWERFER  
W/O PROIETTORE LATERALE  
W/O FAROL LATERAL  
W/O SIDARBETSLYKTA

# 44-15

LIGHTS

REAR WORK LIGHT (FENDER)(HIGH INTENSITY DISCHARGE)(SERVICE ONLY)  
 PHARE DE LABOUR (GARDE-BOUE)(DECHARGE A HAUTE INTENSITE)(POUR SERVICE DE REPARATION SEULEMENT)  
 GERAETESCHINWERFER (ENTLADUNG HOHER INTENSITAET)(NUR FUER DIE WARTUNG DURCH DEN HAENDLER)  
 LUCE LAVORO (PARAFANGO)(LUCE AD ALTA INTENSITA')(SOLO CON SERVIZIO DI ASSISTENZA)  
 FARO AUXILAR (GUARDABARRO)(DESCARGA DE INTENSIDAD ALTA)(SOLO PARA TALLER DE SERVICIO)  
 BAKRE ARBETSLAMPA (SKAERM)(URLADDNING MED HOEG INTENSITET)(ENDAST TILLGAENGLIG VID SERVICE)

RXA0086852 -UN-20FEB06



RXA0086852

KEY	PART NO.	PART NAME	QTY.	TRACTOR SERIAL NO.	A L L	REMARKS
1	RE247298	LAMP	1		X	
2	RE255384	LENS	1		X	
3	R255382	LAMP	1		X	
4	R255383	ELECTRIC BALLAST	1		X	

# 51-A04

POWER SHIFT TRANSMISSION

---

SECTIONAL INDEX  
GRUPPENINDEX  
INDEX DE SECTION  
INDICE DELLA SEZIONE  
INDICE DE SECCION  
GRUPPSFORTECKNING

# 51-11

POWER SHIFT TRANSMISSION

KEY	PART NO.	PART NAME	QTY.	TRANSMISSION SERIAL NO.	A	REMARKS
					L	
1	R125064	PIPE PLUG	4		X	
2	RE176729	KIT	1		X	
3	D2361	BALL	2		X	
4	R97116	KNOB	1		X	
5	24M7139	WASHER	2		X	6.400 X 18 X 1.600 MM
6	R108562	STUD	1		X	
7	AR103873	SEAL	1		X	
8	R108489	VALVE	1		X	
9	R33259	O-RING	4		X	
10	RE181142	SOLENOID VALVE	1		X	(SUB RE211157 AND R211082)
11	19M7560	CAP SCREW	2		X	M6 X 16
12	R27928	O-RING	4		X	
13	R151701	O-RING	4		X	
14	RE177539	VALVE	4		X	(INCLUDES U41966, U11326, R106663, R62070, R27928 AND R151701)
15	R95045	CLAMP	4		X	
16	19M7932	CAP SCREW	4		X	M8 X 16, HS 10.9
17	19M7560	CAP SCREW	2		X	M6 X 16
18	L100496	PLUG	1		X	(B)
19	RE47392	O-RING KIT	1		X	(B)
20	U41966	O-RING	4		X	
21	R106663	O-RING	4		X	
22	U11326	O-RING	4		X	
23	R62070	RING	4		X	
24	R44394	NEEDLE ROLLER	1		X	
25	RE181142	SOLENOID VALVE	1		X	(A) (SUB RE211157 AND R211082)
26	RE46684	PLUG	1		X	
27	51M7041	O-RING	1		X	11.300 X 2.200 MM
28	AT107509	PLUG	2		X	
29	R108547	BEARING CUP	1		X	
30	R108576	SLEEVE	1		X	
31	R114219	SHAFT	1		X	
32	R115233	SHAFT	1		X	
33	R166317	PIN	1		X	
34	R28671	DOWEL PIN	4		X	
35	R48685	DOWEL PIN	1		X	
36	T26565	DOWEL PIN	2		X	
37	R187060	CLAMP	2		X	(SUB (2) R211082)

(A) MECHANICAL FRONT WHEEL DRIVE  
 TRACTION AVANT MECANIQUE  
 MECHANISCHER FRONTANTRIEB  
 TRAZIONE ANTERIORE MECANNICA  
 TRACCION DELANTERA  
 MEKANISK FRAMHJULSDRIVNING

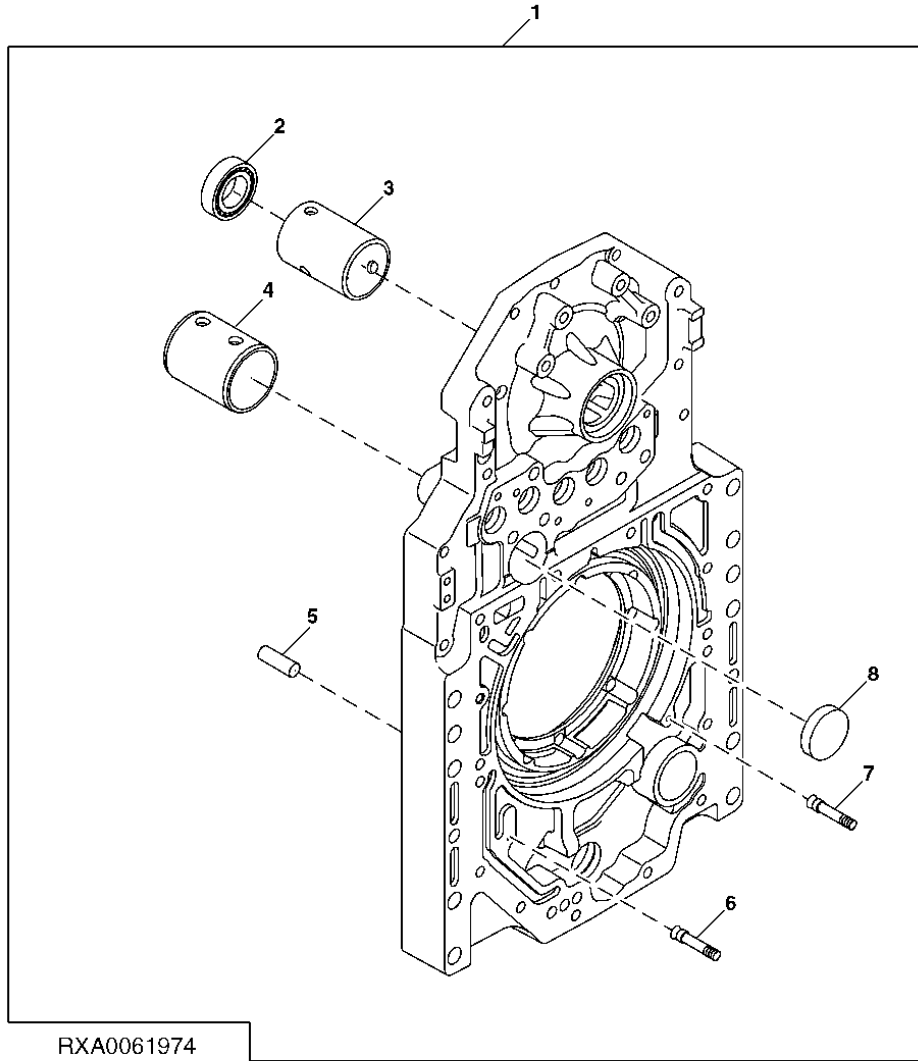
(B) W/O MECHANICAL FRONT WHEEL DRIVE  
 W/O TRACTION AVANT MECANIQUE  
 W/O MECHANISCHER FRONTANTRIEB  
 W/O TRAZIONE ANTERIORE MECANNICA  
 W/O TRACCION DELANTERA  
 W/O MEKANISK FRAMHJULSDRIVNING

# 51-22

POWER SHIFT TRANSMISSION

TRANSMISSION REAR COVER KIT  
KIT DE PROTECTION ARRIERE DE TRANSMISSION  
SATZ FUER HINTERE GETRIEBEABDECKUNG  
KIT COPERCHIO POSTERIORE TRASMISSIONE  
JUEGO DE CUBIERTA TRASERA DE TRANSMISION  
SATS MED TRANSMISIONENS BAKRE KAAPA

RXA0061974 -UN-12AUG02



# 51-33

POWER SHIFT TRANSMISSION

KEY	PART NO.	PART NAME	QTY.	TRANSMISSION SERIAL NO.	A	REMARKS
					L	
1	R196555	SNAP RING	1		X	
2	R163053	GEAR	1		X	(SUB R200569)
	R200569	GEAR	1		X	
3	R163977	NUT	1		X	
4	R91842	SCREW	1		X	M10 X 10, HS 12.9
5	RE45399	TAPERED ROLLER BEARING	1	-075949	X	
	RE203754	TAPERED ROLLER BEARING	1	075950-	X	
6	RE55581	SHAFT	1	-075949	X	
	RE203730	COUNTERSHAFT	1	075950-	X	
7	R204520	RING	4		X	(SUB FOR R115508)
8	R197380	THRUST WASHER	1		X	
9	R191849	GEAR	1	-075949	X	
	R203438	SPUR GEAR	1	075950-	X	
10	R196555	SNAP RING	1		X	
11	R163993	DRUM	1		X	
12	RE162149	PISTON	1		X (A)	
13	R133095	DISK SPRING	7		X	
14	R135096	SNAP RING	1		X	
15	R163994	CLUTCH PLATE	5		X	
16	RE67458	DISK WITH INNER SPLINE	5		X	
17	R163995	CLUTCH PLATE	1		X	
18	R99692	SNAP RING	1		X	
19	R191848	GEAR	1		X	
20	RE191665	BALL BEARING	1		X	
21	R108496	SNAP RING	1		X	
22	R162781	GEAR	1		X	
23	R163993	DRUM	1		X	
24	RE162149	PISTON	1		X (A)	
25	R133095	DISK SPRING	7		X	
26	R135096	SNAP RING	1		X	
27	R163994	CLUTCH PLATE	5		X	
28	RE67458	DISK WITH INNER SPLINE	5		X	
29	R163995	CLUTCH PLATE	1		X	
30	R99692	SNAP RING	1		X	
31	R132246	GEAR	1		X	
32	RE191665	BALL BEARING	1		X	
33	R108496	SNAP RING	1		X	
34	R152163	GEAR	1		X	
35	R196555	SNAP RING	1		X	
36	R163054	GEAR	1		X	
	R203444	SPUR GEAR	1	XXXXXX-	X	
37	R197380	THRUST WASHER	1		X	
38	RE45399	TAPERED ROLLER BEARING	1		X	
	RE203754	TAPERED ROLLER BEARING	1	XXXXXX-	X	

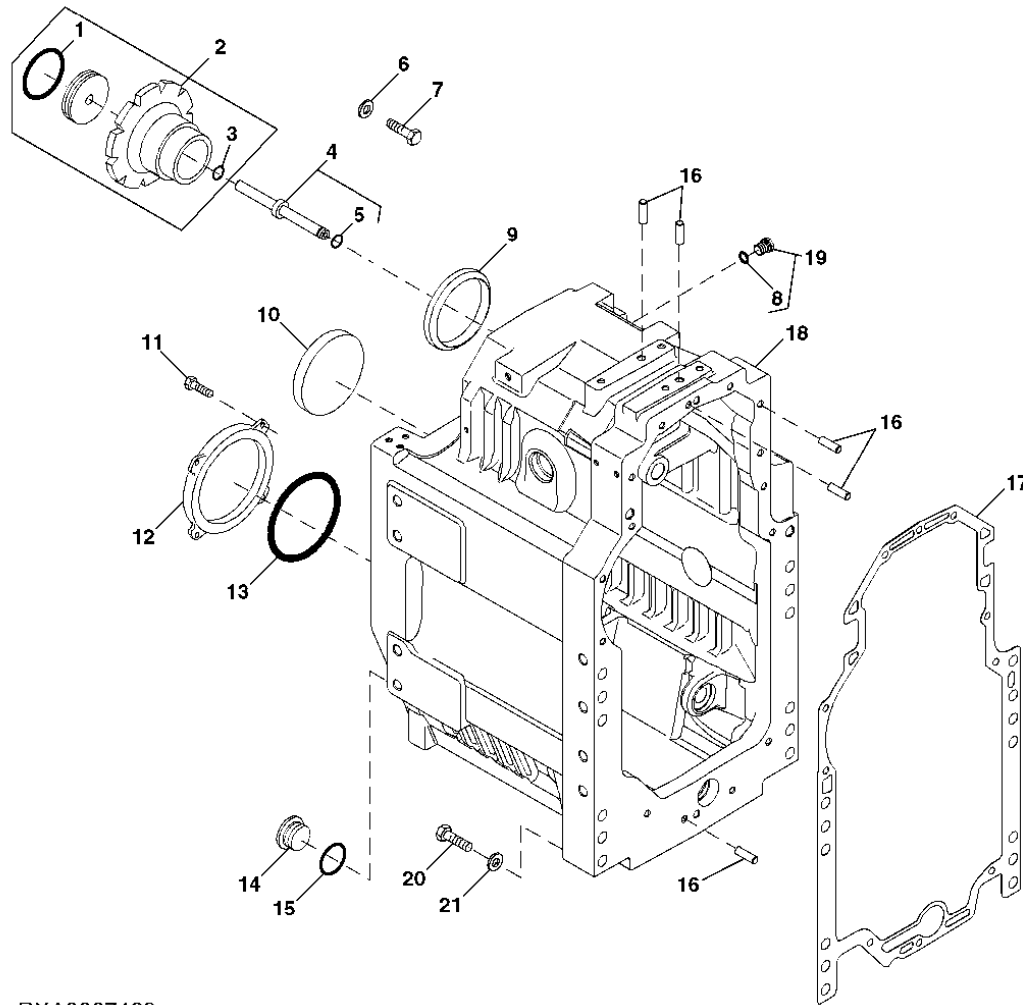
(A) W/SEAL  
W/JOINT  
W/DICHTUNG  
W/GUARNIZIONE  
W/SELLO  
W/TAETNING

# 51-44

POWER SHIFT TRANSMISSION

TRANSMISSION CASE  
CARTER DE TRANSMISSION  
GETRIEBEGEHAEUSE  
SCATOLA DELLA TRASMISSIONE  
CAJA DE TRANSMISION  
TRANSMISSIONSKAAPPA

RXA0067423 -UN-28MAY03



RXA0067423

# 51-55

POWER SHIFT TRANSMISSION

KEY	PART NO.	PART NAME	QTY.	TRACTOR SERIAL NO.	8 8 8 1 2 3 2 2 2 0 0 0	REMARKS
1	RE225301	OIL LINE	1		X X X	(A) (SUB FOR RE173285)
	RE225302	OIL LINE	1	011661-	X X X	(B) (SUB FOR RE170626)
2	38H5069	TEE FITTING	1		X X X	
3	19M7185	CAP SCREW	2		X X X	M8 X 60
4	24M7207	WASHER	2		X X X	8.400 X 24 X 2 MM
5	R73291	CLAMP	1		X X X	
6	28H1497	BUSHING	2		X X X	0.493" X 0.675" X 1-1/2"
7	38H5023	ELBOW FITTING	1		X X X	
8	51M7041	O-RING	1		X X X	11.300 X 2.200 MM
9	T77857	O-RING	3		X X X	
10	19M7550	CAP SCREW	1		X X X	M10 X 35
11	T24958	CLIP	1		X X X	
12	28H3381	SPACER	1		X X X	0.493" X 0.675" X 5/8"
(A) SMALL CHASSIS				(B) LARGE CHASSIS		
PETIT CHASSIS				GRAND CHASSIS		
KLEINES CHASSIS				GROSSES CHASSIS		
TELAIO PICCOLO				TELAIO GRANDE		
CHASIS PEQUE-O				CHASIS GRANDE		
STORT UNDERREDE				LITET UNDERREDE		

# 51-66

POWER SHIFT TRANSMISSION

---

MEMORANDA  
MEMORANDA  
MEMORANDA  
MEMORANDA  
MEMORANDA  
MEMORANDA

# 53-9

DIFFERENTIAL AND REAR PTO

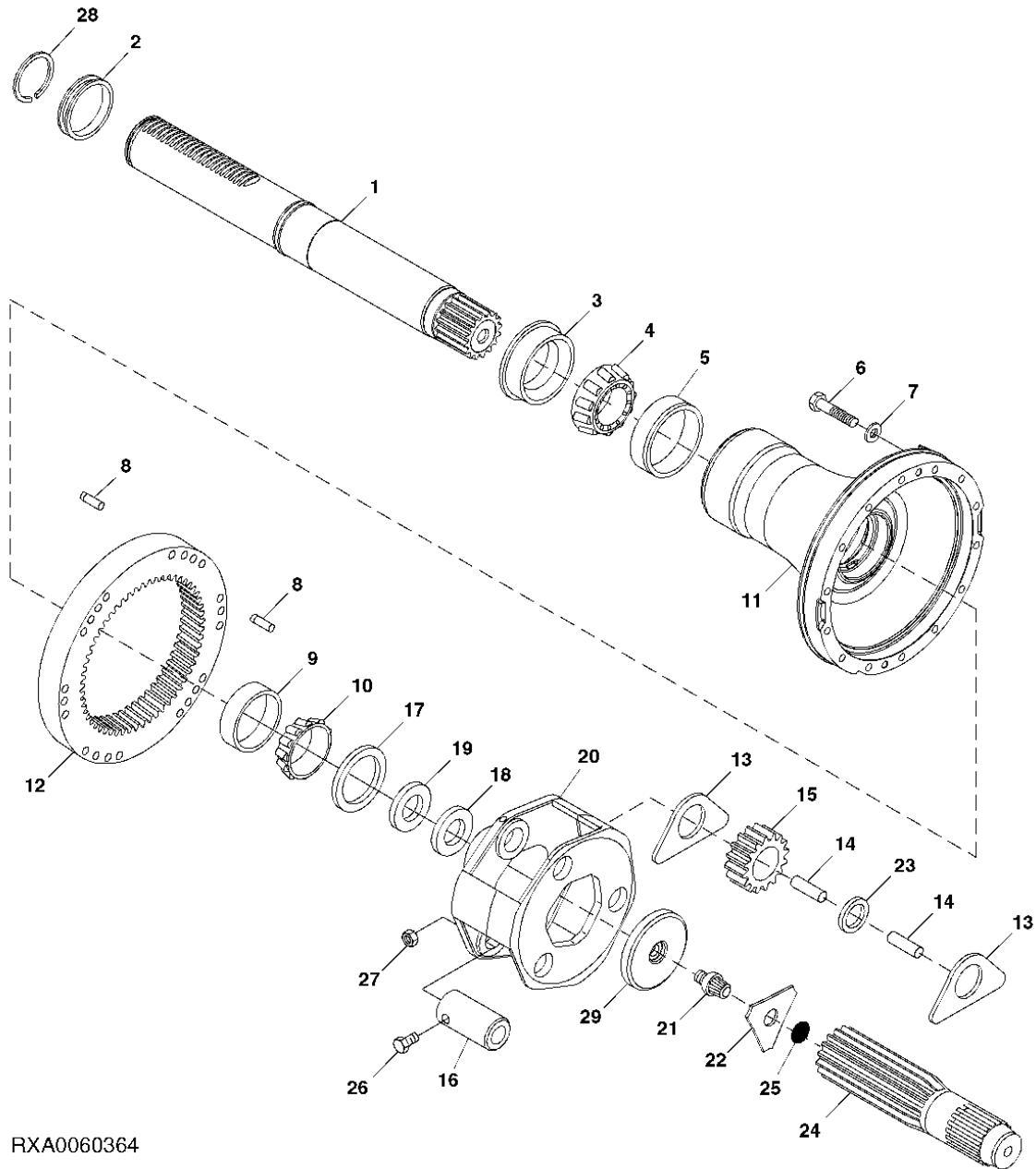
KEY	PART NO.	PART NAME	QTY.	TRACTOR SERIAL NO.	A	REMARKS
					L	
1	RE48761	TAPERED ROLLER BEARING	1		X	
2	R81362	SHIM	2		X	0.08 (.003")
	R81363	SHIM	2		X	0.13 (.005")
	R81364	SHIM	2		X	0.25 (.010")
3	R112906	BEARING HOUSING W/O BEARING	1		X	
4	JD8255	BEARING CUP	1		X	
5	JD8941	BEARING CONE	1		X	
6	R113547	NUT	1		X	
7	RE40296	SEAL	1		X	
8	R132326	SELF-LOCKING SCREW	3		X	
9	U10624	O-RING	1		X	
10	R113668	O-RING	1		X	
11	R58255	SHIM	2		X	0.18MM (.007")
	R58256	SHIM	2		X	0.25MM (.010")
	R58257	SHIM	2		X	0.30MM (.012")
	R58258	SHIM	2		X	0.38MM (.015")
12	U42111	O-RING	1		X	
13	R116402	DEFLECTOR	1		X	
14	P46770	SNAP RING	1		X	
15	P50631	O-RING	1		X	
16	R163990	HUB	1		X	
17	R116713	NEEDLE ROLLER	2		X	

# 53-20

DIFFERENTIAL AND REAR PTO

PLANETARY AND AXLE SHAFT (120MM)  
PLANETAIRE ET ARBRE D'ESSIEU (120MM)  
PLANETENGETRIEVE UND ACHSWELLE (120MM)  
GRUPPO PLANETARIO ED ALBERO DELL'ASSALE (120MM)  
PLANETARIO Y EJE (120MM)  
PLANETVAEXEL OCH AXEL (120MM)

RXA0060364 -UN-23APR02



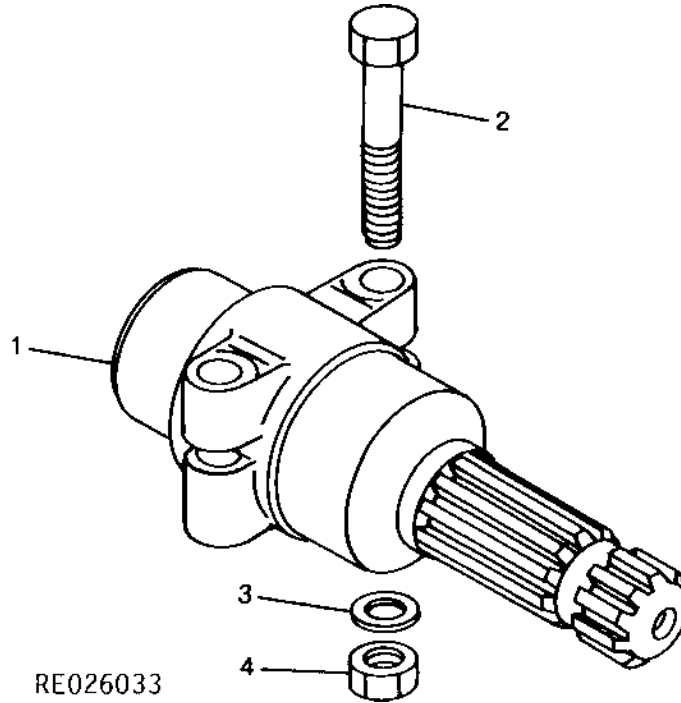
RXA0060364

# 53-31

DIFFERENTIAL AND REAR PTO

ADAPTER FOR 1 3/8" PTO  
 ADAPTATEUR POUR PDF DE 1 3/8" PO  
 ADAPTER FUER 1 3/8" ZOLL ZAPFWELLE  
 ADATTATORE PER PTO DA 1 3/8" POLLICI  
 ADAPTADOR PARA TDF DE 1 3/8" PULG.  
 ADAPTER FOER ETT KRAFTUTTAG PAA 1 3/8" TUM

RE026033 -UN-27FEB95



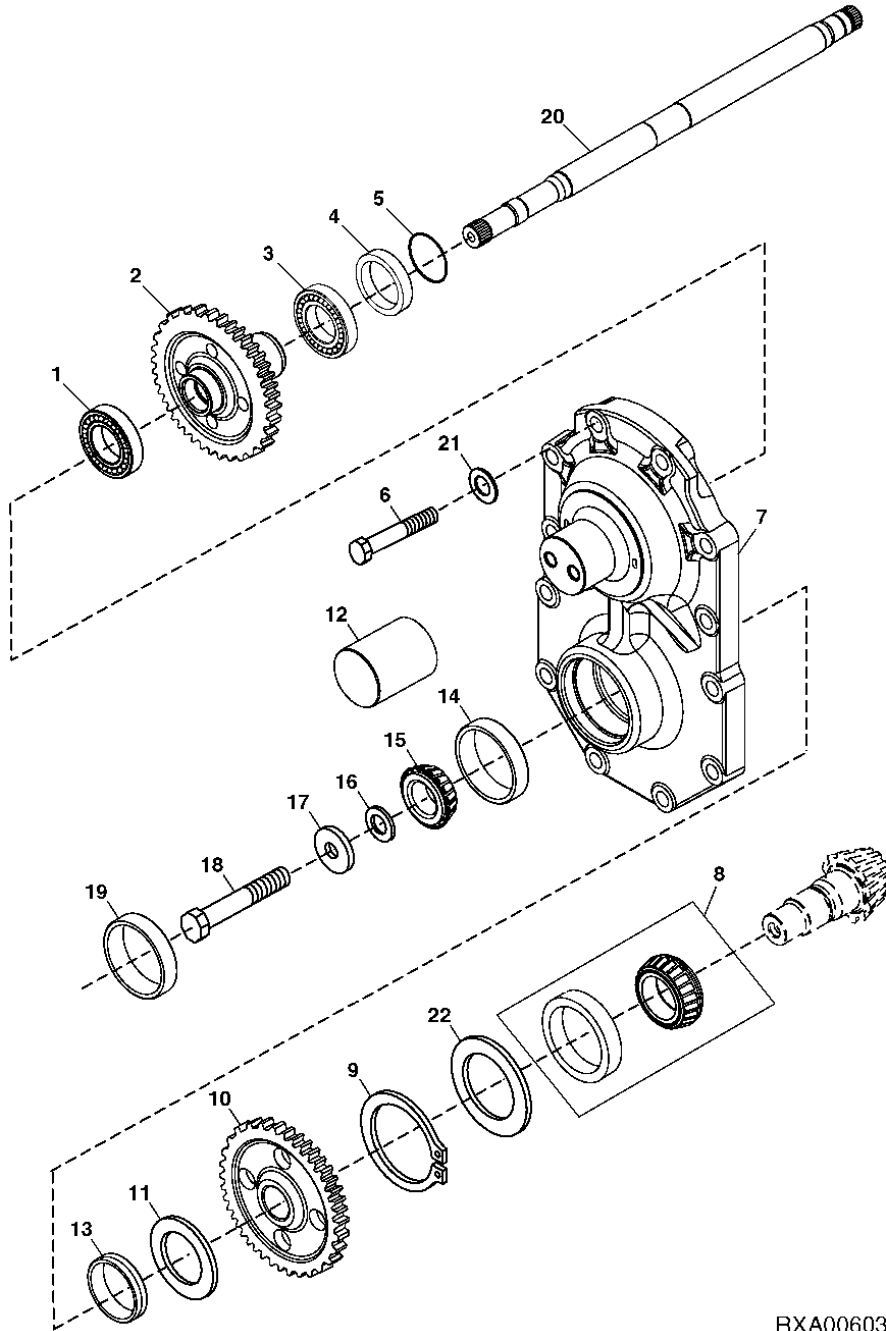
KEY	PART NO.	PART NAME	QTY.	TRACTOR SERIAL NO.	A L L	REMARKS
1	AR89543	ADAPTER FITTING	1		X	
2	19H1974	CAP SCREW	2		X	1/2" X 2-3/4"
3	12H301	LOCK WASHER	2		X	1/2"
4	14H1040	NUT	2		X	1/2"
..	R68682	LABEL	1		X	

# 54-6

MFWD

SPUR GEAR DRIVE  
ENTRAINEMENT PAR ENGRENAGE A PIGNON DROIT  
STIRNRAD-ANTRIEB  
INGRANAGGIO CILINDRICO DI DISTRIBUZIONE  
MANDO DE ENGRANAJES RECTOS  
DREV MED CYLINDRISKT KUGGHUJL

RXA0060329 -UN-16APR02



RXA0060329

# 54-17

MFWD

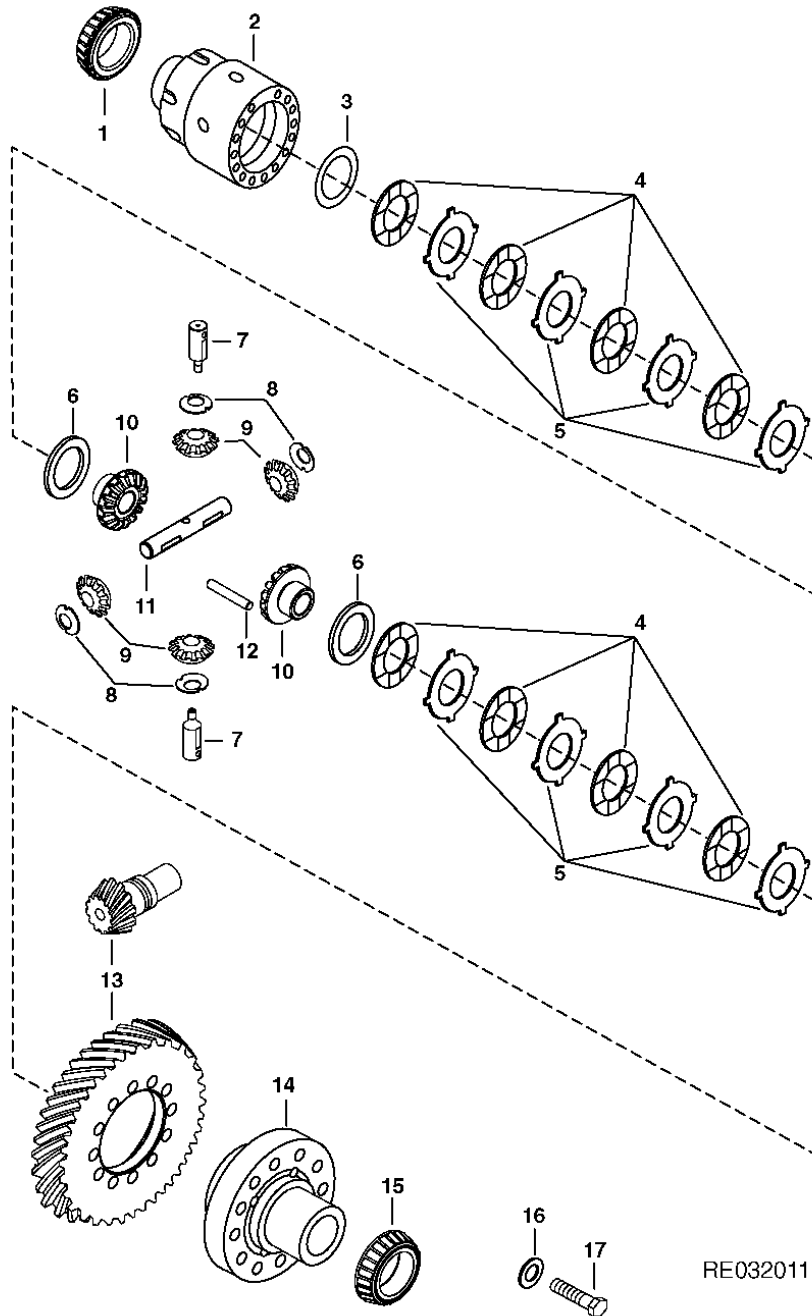
KEY	PART NO.	PART NAME	QTY.	TRACTOR	REMARKS
				SERIAL NO.	
				8 8 8	
				1 2 3	
				2 2 2	
				0 0 0	
1	R37287	O-RING	1	X X X	
2	JD7292	BEARING CUP	1	X X X	
3	R131996	SHIM	AR	X X X	0.08MM (.003")
	R131997	SHIM	AR	X X X	0.13MM (.005")
	R131998	SHIM	AR	X X X	0.18MM (.007")
	R131999	SHIM	AR	X X X	0.25MM (0.10")
	R132000	SHIM	AR	X X X	0.50MM (0.20")
	R132001	SHIM	AR	X X X	1.00MM (0.40")
4	R150907	PLUG	1	X X X	
5	RE50803	SEAL	1	X X X	
6	R72090	BEARING CUP	1	X X X	
7	JD8252	BEARING CUP	1	X X X	
8	RE71181	SEAL	1	X X X	
9	R130069	BUSHING	1	X X X	
10	R133871	SPACER	1	X X X	
11	19M7489	CAP SCREW	13	X X X	M16 X 45, HS 10.9
12	R135991	HOUSING	1	X X X	
13	R159204	DEFLECTOR	1	X X X	
14	19M7932	CAP SCREW	2	X X X	M8 X 16, HS 10.9
15	RE62981	PRESSURE RELIEF VALVE	1	X X X	

# 54-28

MFWD

DIFFERENTIAL (STANDARD)  
DIFFERNTIEL (STANDARD)  
DIFFERENTIAL (STANDARD)  
DIFFERENZIALE (STANDARD)  
DIFFERENCIAL (NORMAL)  
DIFFERENTIAL (STANDARD)

RE032011 -UN-28JUL00



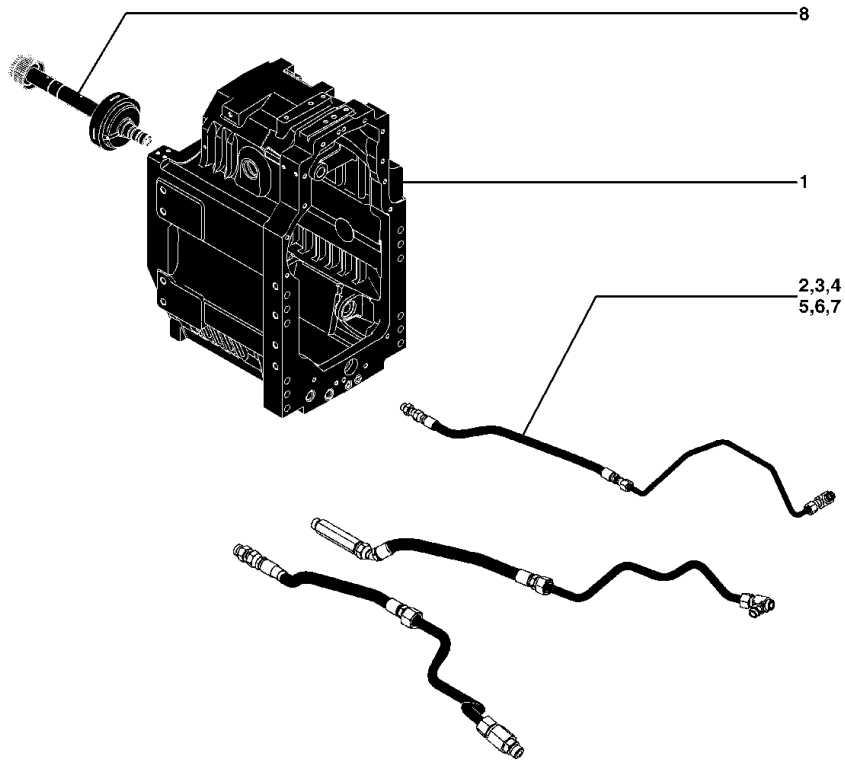
# 55-A01

JOHN DEERE INDEPENDENT LINK SUSPENSION

SECTIONAL INDEX  
INDEX DE SECTION  
GRUPPENINDEX  
INDICE DELLA SEZIONE  
INDICE DE SECCION  
GRUPPSFORTECKNING

RXA0054222 -UN-

1-	2
2-	4
3-	6
4-	8
5-	10
6-	12
7-	14
8-	16



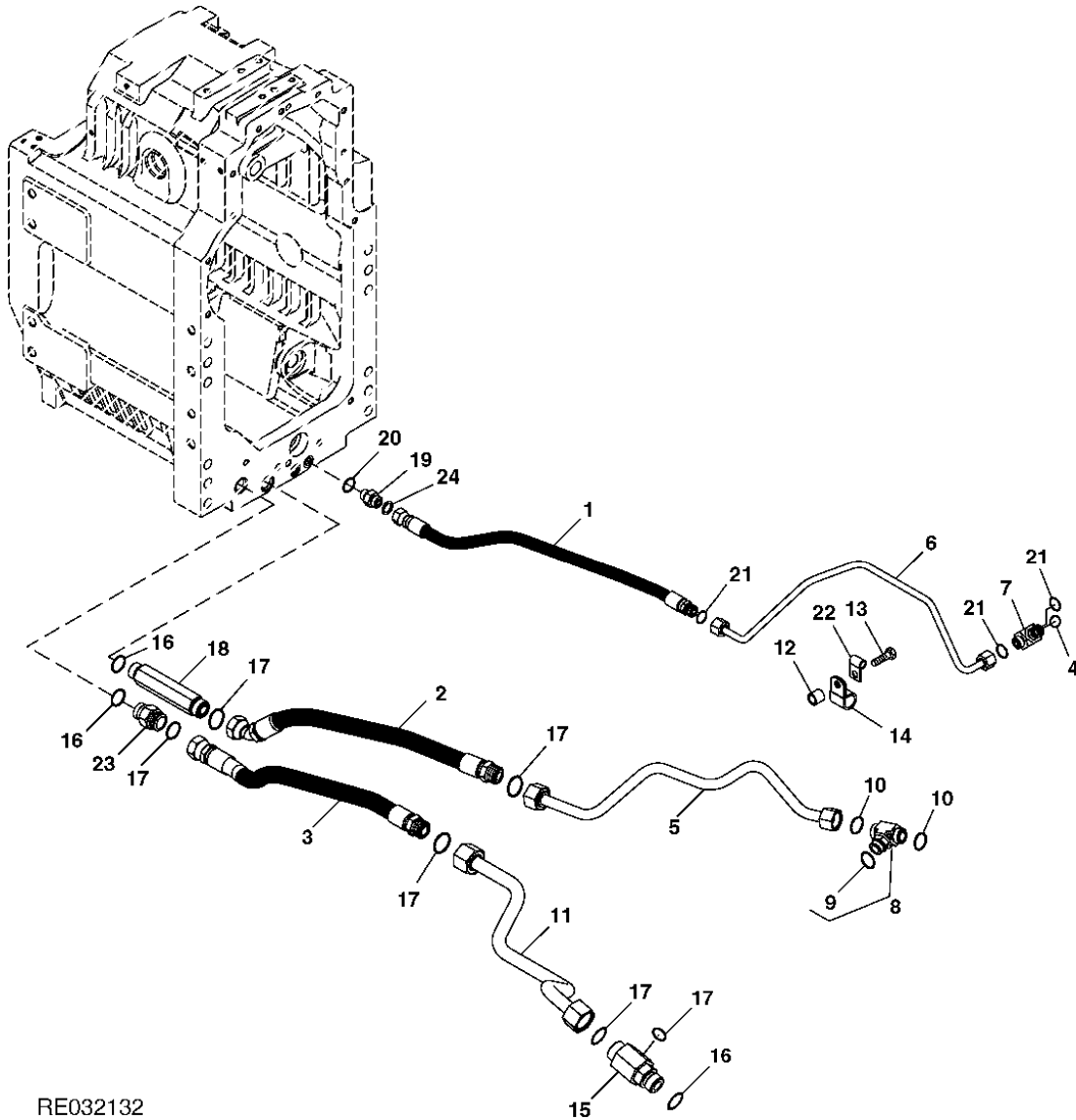
RXA0054222

# 55-8

JOHN DEERE INDEPENDENT LINK SUSPENSION

TRANSMISSION LINES (45CC PUMP (2.75 IN3)) (EUROPEAN VERSION)  
CONDUITES DE TRANSMISSION (45CC POMPE (2.75 IN3)) (VERSION EUROPEENNE)  
GETRIEBE-LEITUNGEN (45CC PUMPE (2.75 IN3)) (EUROPAEISCHE AUSFUEHRUNG)  
LINEE DELLA TRASMISSIONE (45CC POMPA (2.75 IN3)) (VERSIONE EUROPEA)  
LINEAS DE TRANSMISION (45CC BOMBA (2.75 IN3)) (VERSION EUROPEA)  
TRANSMISSIONSLEDNINGAR (45CC PUMP (2.75 IN3)) (EUROPEISK VERSION)

RE032132 -UN-22JUN01



RE032132

THIS PARTS LISTING IS CONTINUED

CLICK HERE TO **DOWNLOAD** THE COMPLETE MANUAL

- Thank you very much for reading the preview of the manual.
- You can download the complete manual from: [www.heydownloads.com](http://www.heydownloads.com) by clicking the link below



- Please note: If there is no response to CLICKING the link, please download this PDF first and then click on it.

CLICK HERE TO **DOWNLOAD** THE COMPLETE MANUAL

# 55-19

JOHN DEERE INDEPENDENT LINK SUSPENSION

KEY	PART NO.	PART NAME	QTY.	TRACTOR SERIAL NO.	A L L	REMARKS
1	RE191581	CASE	1		X	(C) (SUB RE228877)
	RE191582	CASE	1		X	(D) (SUB RE257803)
2	R172054	SHIM	AR		X	0.08 MM (.003")
	R172055	SHIM	AR		X	0.13 MM (.005")
	R172056	SHIM	AR		X	0.25 MM (.010")
3	RE174158	TAPERED ROLLER BEARING	1		X	
4	JD7446	BEARING CUP	1		X	
5	JD8932	BEARING CONE	1		X	
6	R165082	GEAR	1		X	
7	T13331	SHIM	AR		X	0.08 MM (0.003")
	T13332	SHIM	AR		X	0.13 MM (0.005")
	T13333	SHIM	AR		X	0.25 MM (0.010")
8	R193851	WASHER	1		X	
9	R94166	CAP SCREW	1		X	M16 X 100, HS 10.9
10	R175396	SPACER	1		X	
11	RE192051	HELICAL GEAR	1		X	(A)
	RE192052	HELICAL GEAR	1		X	(B)
12	R175395	RETAINER	1		X	
13	R186228	CAP SCREW	2		X	M8 X 25, HS 12.9
14	R82007	PLUG	1		X	

(A) 4 STEP  
4 MARCHE  
4 TRITT  
4 PREDELLINO  
4 PELDANO  
4 FOTSTEG

(C) W/BRAKE  
W/ FREINS  
W/ BREMS  
W/ FRENI  
W/ FRENOS  
W/ BROMS

(B) 5 STEP  
5 MARCHE  
5 TRITT  
5 PREDELLINO  
5 PELDANO  
5 FOTSTEG

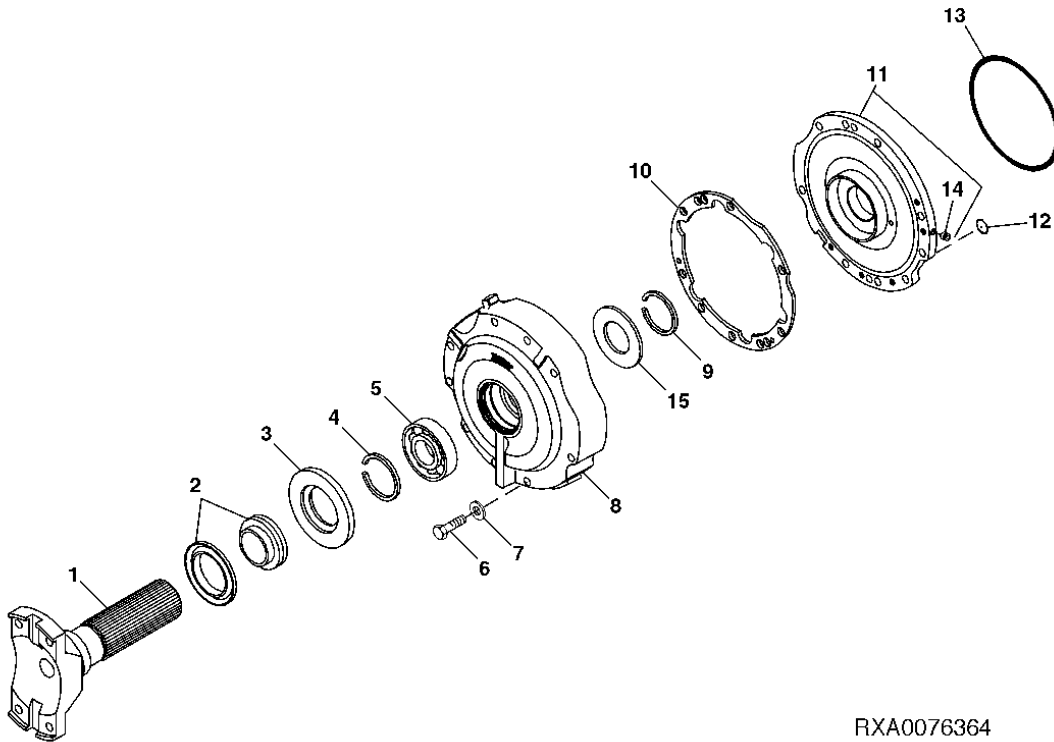
(D) W/O BRAKE  
W/O FREINS  
W/O BREMS  
W/O FRENI  
W/O FRENOS  
W/O BROMS

# 55-30

JOHN DEERE INDEPENDENT LINK SUSPENSION

DIFFERENTIAL COVER W/O SECONDARY BRAKE (L.H.)  
COUVERCLE DE DIFFERENTIEL W/O FRIEN AUXILIAIRE (L.H.)  
DIFFERENTIALDECLEL W/O HANDBREMSE (L.H.)  
COPERCHIO DEL DIFFERENZIALS W/O FRENO SECONDARIO (L.H.)  
CUBIERTA DEL DIFERENCIAL W/O FRENO AUXILIAR (L.H.)  
SKYDD FOER DIFFERENTIAL W/O HANDBROMS (L.H.)

RXA0076364 -UN-15JUL04



RXA0076364

# 55-41

JOHN DEERE INDEPENDENT LINK SUSPENSION

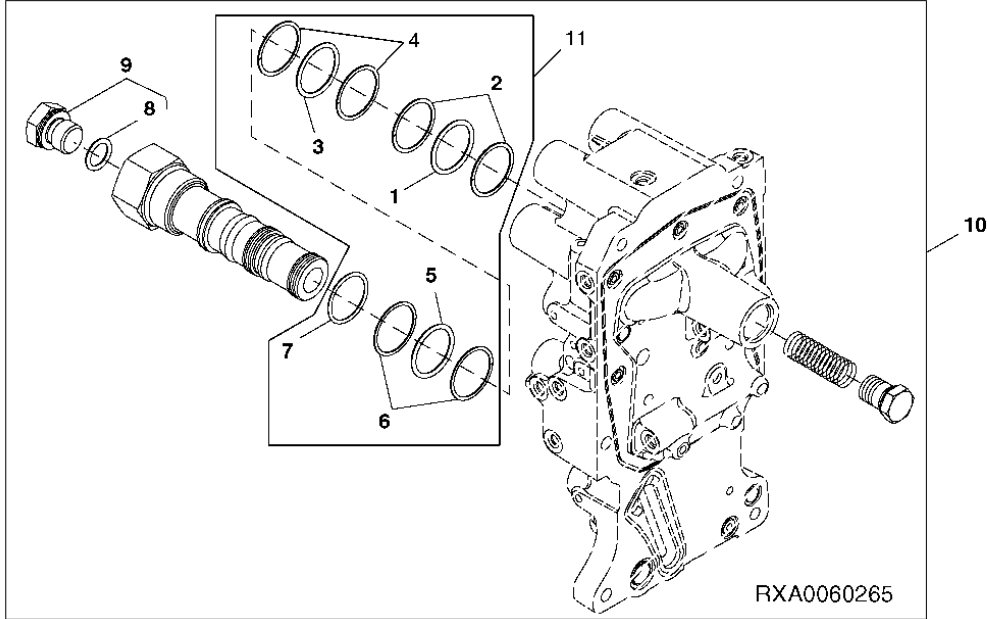
KEY	PART NO.	PART NAME	QTY.	TRACTOR SERIAL NO.	A L L	REMARKS
1	RE241785	SENSOR	1		X	(SUB FOR RE172651, RE191389 OR RE214147)
2	R185188	SCREW	2	-026159	X	
3	P48347	O-RING	1		X	
4	R175457	SHAFT	1		X	
5	JD7799	LUBRICATION FITTING	2		X	
6	40M7045	SNAP RING	2		X	
7	R175455	CAP	1	-026159	X	
8	51M7070	O-RING	2		X	110.719 X 3.531 MM
9	T13119	O-RING	2		X	
10	R179854	CAP SCREW	2		X	
11	R182546	SPACER	2	-026159	X	
12	RE179848	BEARING CONE	4		X	
13	R179849	BEARING CUP	4		X	
14	R179852	WASHER	1		X	
15	R179850	WASHER	2		X	
16	R229613	SHAFT	1	-026159	X	(SUB FOR R172165) (SUB FOR R229154) (SUB R237683)
	R237683	SHAFT	1	-026159	X	(ALSO ORDER (2) R183984)
17	RE193357	SEAL	2		X	
18	R172164	SPACER	1		X	
19	R172170	SNAP RING	1		X	
20	R175456	CAP	1	-026159	X	
21	RE191357	ARM	1		X	L.H. (INCLUDES R172170)
	RE191356	ARM	1		X	R.H. (INCLUDES R172170)
22	JD7781	LUBRICATION FITTING	1		X	
23	R175453	SPRING	2	-015440	X	
	R216824	SPRING	2	015441-	X	
24	R175452	SPRING	2	-015440	X	
	R216823	SPRING	2	015441-	X	
25	R175450	BOOT	2	-015440	X	
	R216827	BOOT	2	015441-	X	
26	RE216794	BALL JOINT	1		X	(SUB FOR RE172154 OR RE200351)
27	40M7233	SNAP RING	1		X	
28	R186969	CAP	1		X	
29	19M9135	CAP SCREW	2		X	M20 X 100, HS 10.9
30	37H143	SCREW	4	026160-	X	
31	R230003	CAP	2	026160-	X	
32	R229612	FLANGE NUT	4	026160-	X	
33	R229613	SHAFT	2	026160-	X	
34	R230004	CAP	2	026160-	X	
35	24M7338	WASHER	2	028111-	X	17 X 30 X 3 MM

# 55-52

JOHN DEERE INDEPENDENT LINK SUSPENSION

SUSPENSION DAMPING CONTROL VALVE  
 CLAPET DE COMMANDE D'AMORTISSEMENT DE SUSPENSION  
 FEDERUNGSDAEMPFUNGS-STEUERVENTIL  
 VALVOLA ANTIVIBRATORE SOSPENSIONE  
 VALVULA DE CONTROL DE AMORTIGUACION DE SUSPENSION  
 MANOEVERTENTIL FOER FJAEDRINGSDAEMPNING

RXA0060265 -UN-17APR02



KEY	PART NO.	PART NAME	QTY.	TRACTOR SERIAL NO.	A L L	REMARKS
1	P51079	O-RING	1		X	
2	R186867	BACK-UP RING	2		X	
3	R104728	O-RING	1		X	
4	R186868	BACK-UP RING	2		X	
5	R111527	O-RING	1		X	
6	R186869	BACK-UP RING	2		X	
7	U13639	O-RING	1		X	
8	51M7041	O-RING	1		X	11.300 X 2.200 MM
9	RE46684	PLUG	1		X	
10	RE172232	CONTROL VALVE	1		X	
11	RE186849	SEAL KIT	1		X	

# 55-63

JOHN DEERE INDEPENDENT LINK SUSPENSION

KEY	PART NO.	PART NAME	QTY.	TRACTOR SERIAL NO.	A L L	REMARKS
1	51M7045	O-RING	1		X	19.300 X 2.200 MM
2	38H5018	ELBOW FITTING	1		X	
3	T77857	O-RING	2		X	
4	51M7047	O-RING	1		X	23.600 X 2.900 MM
5	38H5020	ELBOW FITTING	1		X	
6	T78313	O-RING	1		X	
7	RE193955	OIL LINE	1	-016169	X (A)	
	RE214409	OIL LINE	1	016170-	X	
	RE193955	OIL LINE	1	027679-027979	X (A)	
	RE214409	OIL LINE	1	027980-	X (A)	
8	T77858	O-RING	1		X	
9	51M7048	O-RING	1		X	
10	38H5200	TEE FITTING	1		X	M10 X 30, HS 10.9
11	R188307	FLANGE FITTING	1		X	
12	19M7403	CAP SCREW	2		X	M12 X 35, HS 10.9
13	RE66251	OIL LINE	1	-016169	X	
	RE218022	OIL LINE	1	016170-	X	
	RE66251	OIL LINE	1	027679-027979	X	
	RE218022	OIL LINE	1	02980-	X	
14	U10289	O-RING	1		X	
15	T77613	O-RING	2		X	
16	RE174614	SPOOL VALVE	1		X	
17	51M7040	O-RING	2		X	9.300 X 2.200 MM
18	51M7041	O-RING	2		X	11.300 X 2.200 MM
19	RE46684	PLUG	2		X	
20	RE171462	OIL LINE	1	-016169	X (B)	
	RE214410	HYDRAULIC HOSE	1	016170-	X (B)	
	RE171462	OIL LINE	1	027679-027979	X (B)	
	RE214410	HYDRAULIC HOSE	1	027980-	X (B)	
21	R125963	PLATE	1		X	
22	38H5073	ADAPTER FITTING	1		X	
23	38H5069	TEE FITTING	1		X	
24	RE65564	OIL LINE	1		X	

(A) PRESSURE  
PRESSION  
DRUCK  
PRESSIONE  
PRESION  
TRYCK

(B) LOAD SENSE  
DETECTION DE CHARGE  
PILOTDRUCK  
RILEVAMENTO DEL CARICO  
DETECCION DE CARGA  
BELASTNINGSAVKAENNING

# 60-A04

STEERING AND BRAKES

---

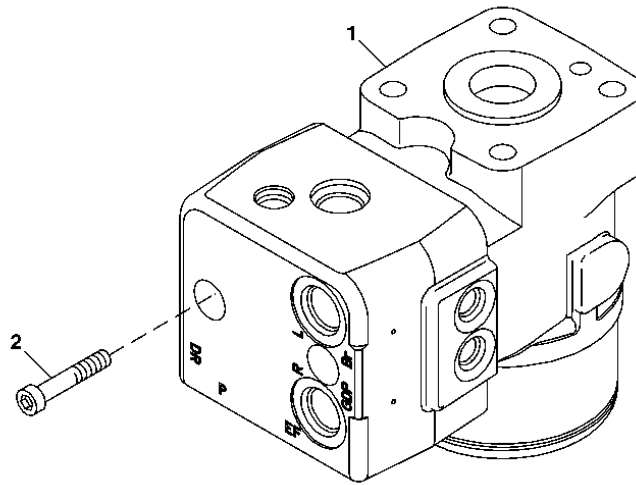
SECTIONAL INDEX  
INDEX DE SECTION  
GRUPPENINDEX  
INDICE DELLA SEZIONE  
INDICE DE SECCION  
GRUPPSFORTECKNING

# 60-11

STEERING AND BRAKES

STEERING VALVE WITH PRIORITY VALVE (MFWD)  
 DISTRIBUTEUR DE DIRECTION AVEC SOUPAPE PRIORITAIRE (MFWD)  
 LENKVENTIL MIT VORRANGVENTIL (MFWD)  
 VALVOLA DELLO STERZO CON VALVOLA PRIORITARIA (MFWD)  
 VALVULA DE DIRECCION CON VALVOLA PRIORITARIA (MFWD)  
 STYRVENTIL MED PRIORITETSVENTIL (MFWD)

RXA0074376 -UN-06APR04



RXA0074376

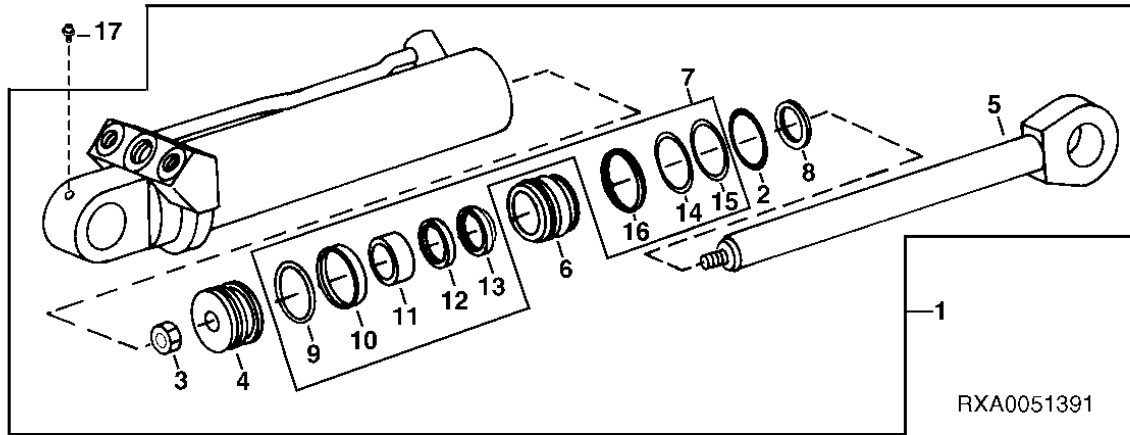
KEY	PART NO.	PART NAME	QTY.	TRACTOR SERIAL NO.	REMARKS
				8 8 8	
				3 4 5	
				2 2 2	
				0 0 0	
1	RE203460	STEERING METERING PUMP	1	X X X (A)	(SUB FOR RE170920)
2	R211104	BOLT	1	X X X (A)	
(A) 8520 (020533- )					

# 60-22

STEERING AND BRAKES

STEERING CYLINDER (MFWD) (TSN -015496)  
 VERIN DE DIRECTION (MFWD)  
 LENKZYLINDER (MFWD)  
 CILINDRO DI GUIDA (MFWD)  
 CILINDRO DE LA DIRECCION (MFWD)  
 STYRCYLINDER (MFWD)

RXA0051391 -UN-26JAN01



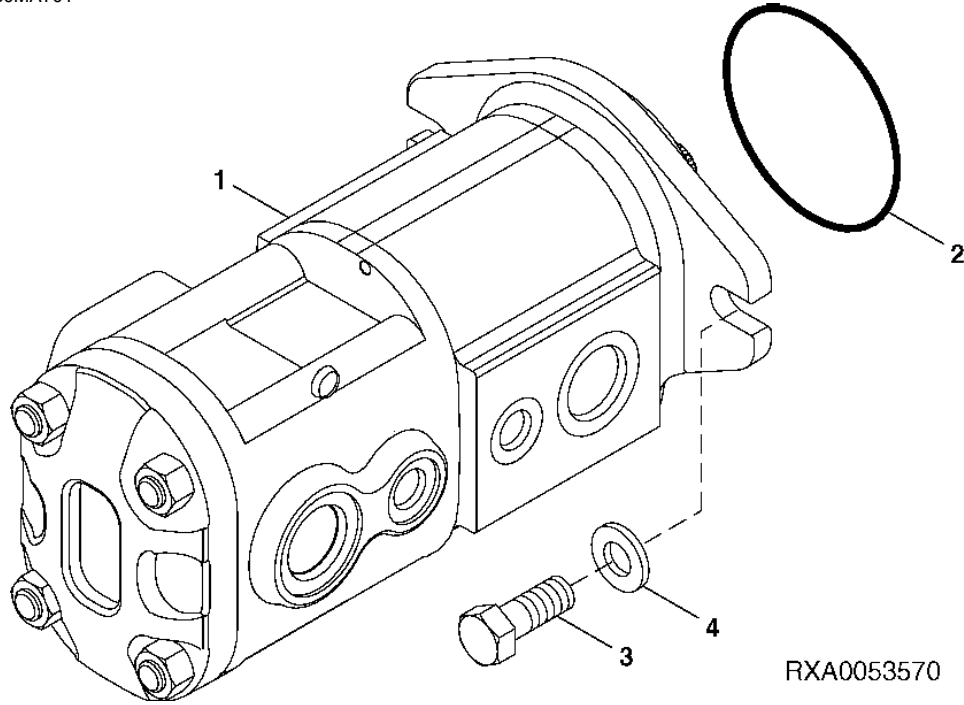
KEY	PART NO.	PART NAME	QTY.	TRACTOR SERIAL NO.	A L L	REMARKS
1	RE246378	HYDRAULIC CYLINDER	1		X	R.H. (SUB FOR RE178753 OR RE210225)
	RE246379	HYDRAULIC CYLINDER	1		X	L.H. (SUB FOR RE178755 OR RE210226)
2	H152104	SNAP RING	1		X	
3	H153834	LOCK NUT	1		X	
4	AH146443	PISTON	1		X	
5	AH171975	HYDRAULIC CYLINDER ROD	1		X	
6	H151674	HYDR. CYLINDER ROD GUIDE	1		X	
7	AH146052	KIT	1		X	
8	N34349	SNAP RING	1		X	
9	P50635	O-RING	1		X	
10	H152130	SEAL	1		X	
11	H151629	WEAR RING	1		X	
12	H153659	SEAL	1		X	
13	H150411	SEAL	1		X	
14	H155964	O-RING	1		X	
15	H152102	BACK-UP RING	1		X	
16	H153758	RING	1		X	
17	JD7798	LUBRICATION FITTING	4		X	

# 60-33

STEERING AND BRAKES

STEERING PUMP/CHARGE PUMP  
 POMPE DE DIRECTION/POMPE DE GAVAGE  
 LENKPUMPE/LADEPUMPE  
 POMPA DELLO STERZO/POMPA DI CARICA  
 BOMBA DE DIRECCION/COMBA DE CARGA  
 STYRPUMP/LADDNINGSPUMP

RXA0053570 -UN-30MAY01



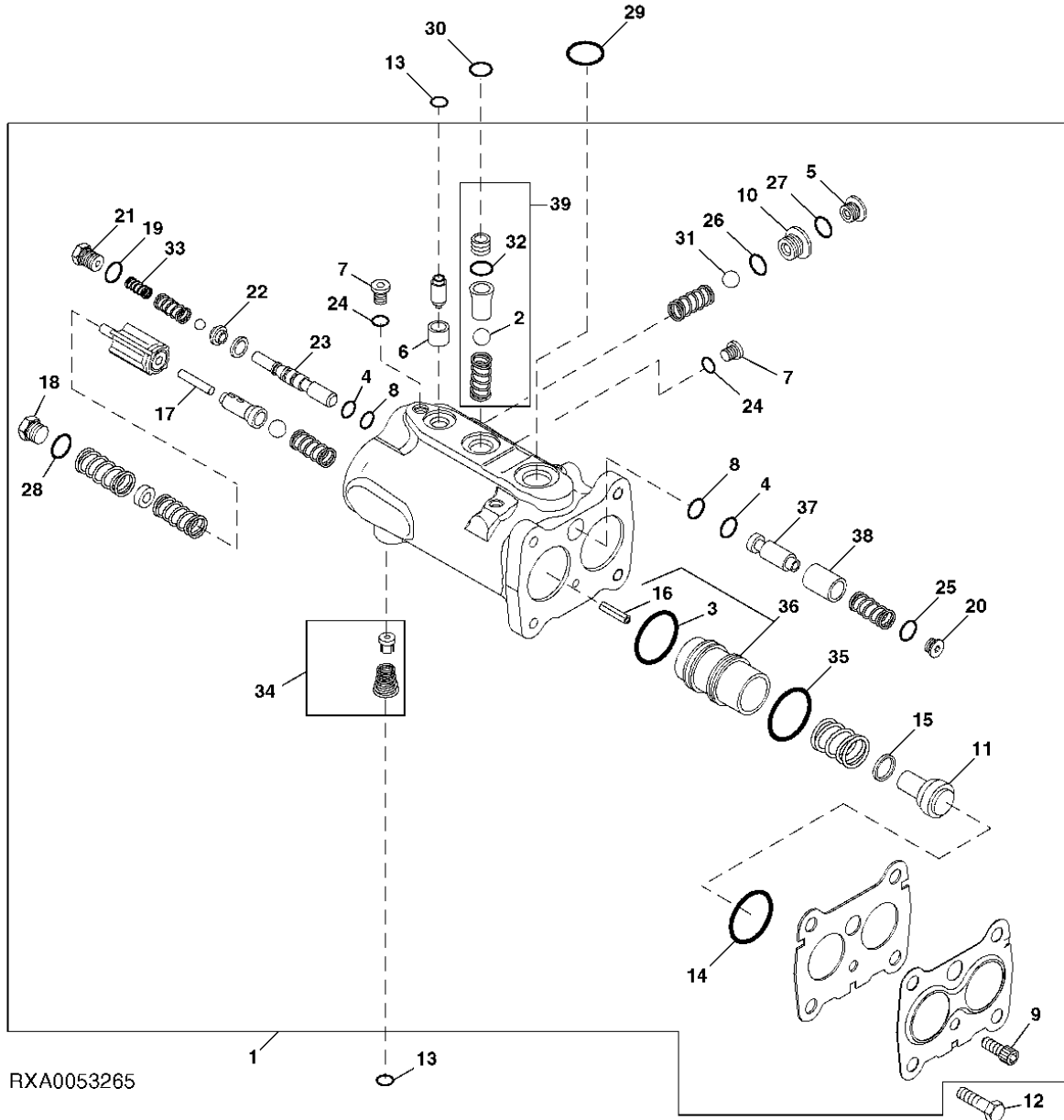
RXA0053570

KEY	PART NO.	PART NAME	QTY.	TRACTOR SERIAL NO.	A L L	REMARKS
1	RE182200	HYDRAULIC PUMP	1		X	
2	T42302	O-RING	1		X	101.270 X 2.616 MM
3	19M7285	CAP SCREW	2		X	M12 X 30
4	24M7240	WASHER	2		X	13 X 25 X 3 MM

# 60-44

**BRAKE VALVE**  
**MAITRE-CYLINDRE**  
**BREMSVENTIL**  
**VALVOLA FRENO**  
**VALVULA DE MANDO DEL FRENO**  
**BROMSVENTIL**

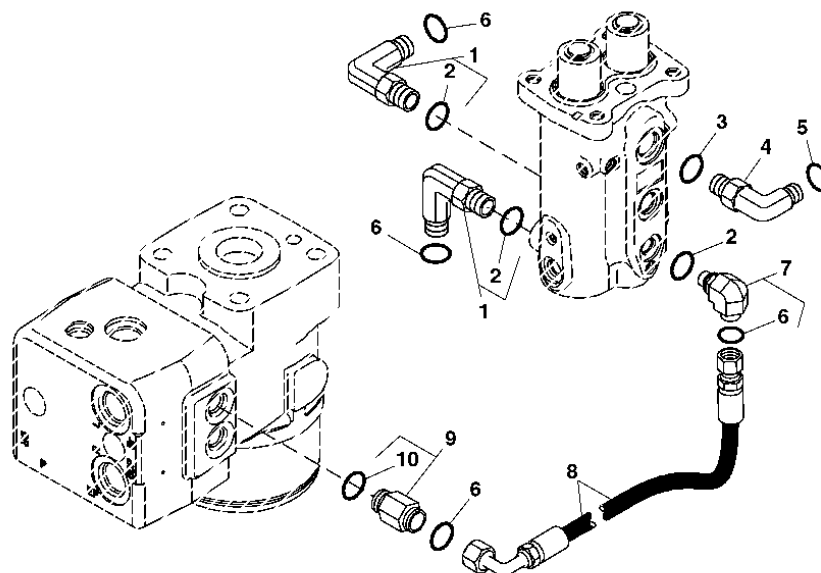
RXA0053265 -UN-07MAY01



RXA0053265

**BRAKE LOAD SENSE LINE  
 CONDUITE DE DETECTION DE CHARGE DES FREINS  
 BREMSPILOTDRUCKLEITUNG  
 LINEA DI RILEVAMENTO DEL CARICO FRENI  
 LINEA DE DETECCION DE CARGA DE FRENOS  
 LASTAVKAENNINGSLEDNING FOER BROMSAR**

RXA0064962 -UN-29JAN03



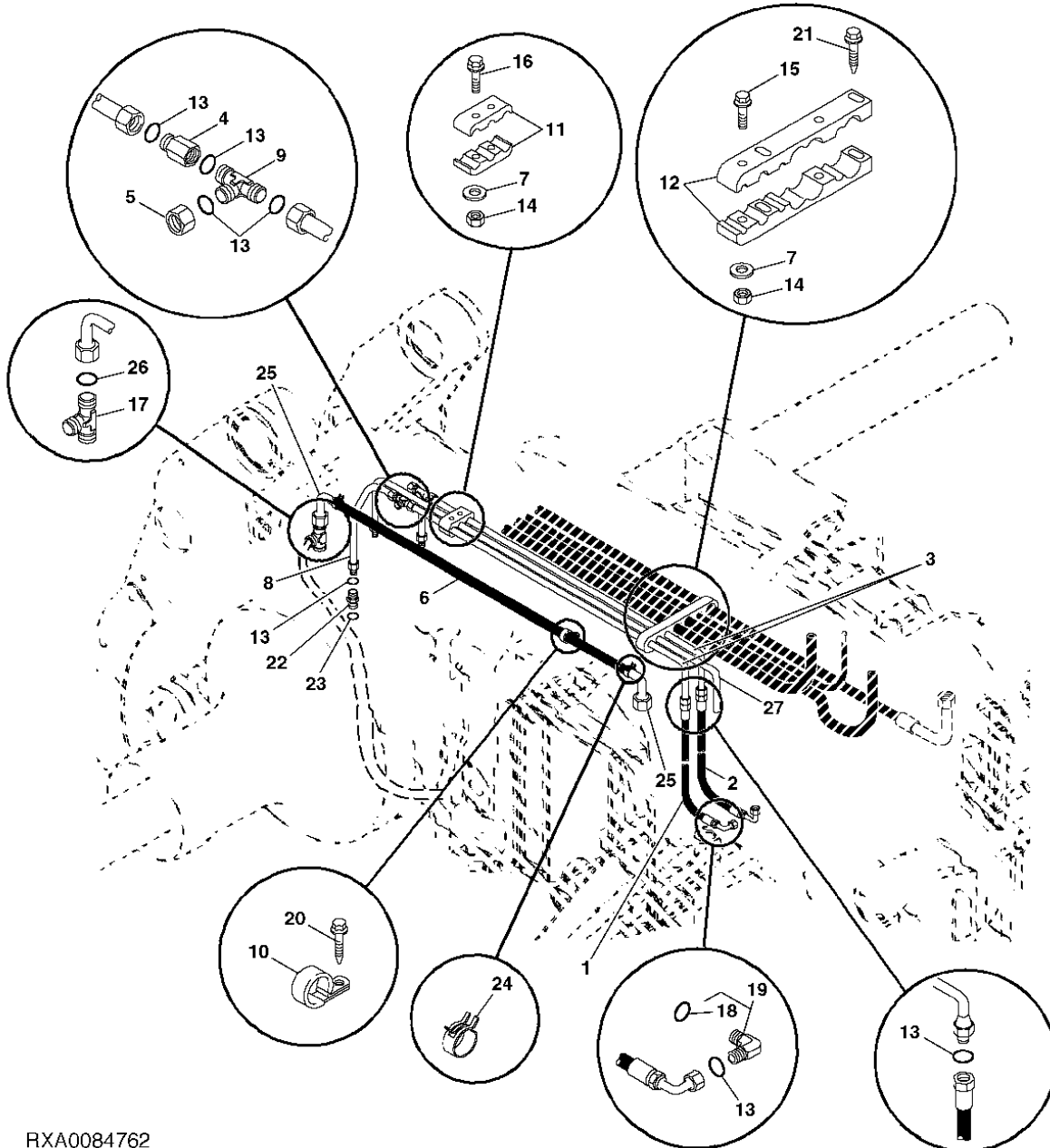
RXA0064962

KEY	PART NO.	PART NAME	QTY.	TRACTOR SERIAL NO.	A L L	REMARKS
1	38H5016	ELBOW FITTING	2		X	
2	51M7041	O-RING	3		X	11.300 X 2.200 MM
3	51M7045	O-RING	1		X	19.300 X 2.200 MM
4	38H5018	ELBOW FITTING	1		X	
5	T77932	O-RING	1		X	
6	T77613	O-RING	2		X	
7	38H5016	ELBOW FITTING	1		X	
8	RE199317	HYDRAULIC HOSE	1		X	(SUB FOR RE61395)
9	RE172887	FITTING	1		X	(SUB RE216786)
10	51M7040	O-RING	1		X	9.300 X 2.200 MM

# 60-66

**BRAKE OIL LINES (REAR) (W/TRAILER BRAKE) (EUROPEAN VERSION)**  
**CONDUITES D'HUILE DE FREIN (ARRIERE) (W/FREIN DE REMARQUE HYDR.) (VERSION EUROPEENNE)**  
**BREMSEELLEITUNGEN (HINTEN) (W/HYDR. ANHAENGERBREMSE) (EUROPAEISCHE AUSFUEHRUNG)**  
**TUBAZIONI FRENO (POSTERIORE) (W/FRENO IDRAUL. RIMORCHIO) (VERSIONE EUROPEA)**  
**TUBERIAS DE ACEITE DEL FRENO (TRASERO) (W/FRENO HIDRAULREMOQUE) (VERSION EUROPEA)**  
**BROMSOLJELEDNINGAR (BAK,BAKRE) (W/SL'PVAGNSBROMS) (EUROPEISK VERSION)**

RXA0084762 -UN-25OCT05



RXA0084762

# 60-77

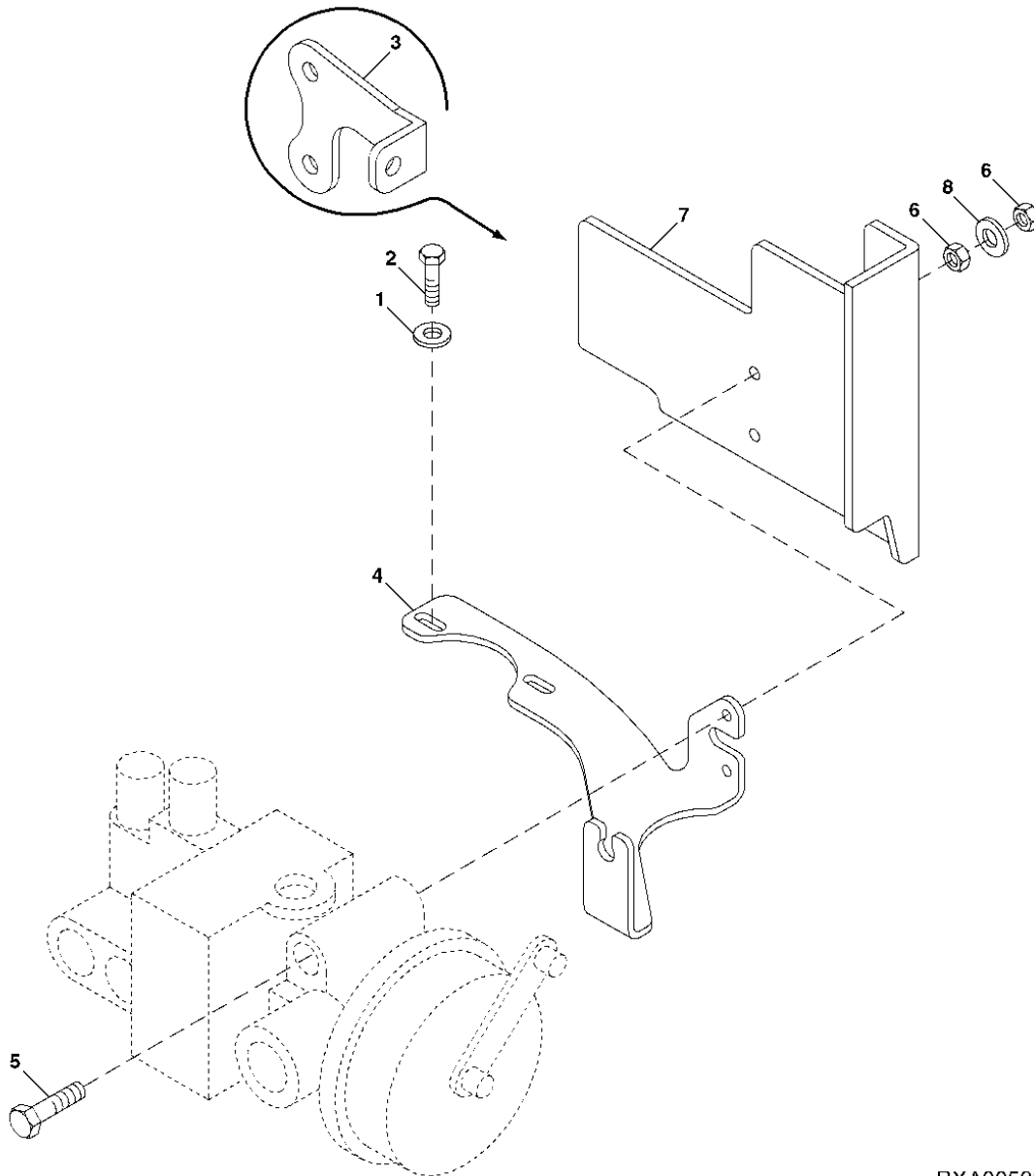
STEERING AND BRAKES

KEY	PART NO.	PART NAME	QTY.	TRACTOR SERIAL NO.	A	REMARKS
					L	
1	RE174119	SOLENOID VALVE	1		X	
2	RE163491	SOLENOID VALVE	1		X	
3	RE186848	SEAL KIT	1		X	
4	R26906	O-RING	1		X	
5	R27166	O-RING	1		X	
6	R186866	BACK-UP RING	2		X	
7	R33259	O-RING	1		X	
8	R186865	BACK-UP RING	2		X	
9	19M7810	SCREW	2		X	M10 X 80, HS 10.9

# 60-88

AIR BRAKE CONTROL VALVE BRACKETS (NORTH AMERICAN VERSION)  
AIR COMPRIME, SUPPORTS DE SOUPAPE DE COMMANDE (VERSION NORD AMERICAINE)  
DRUCKLUFTBREMSE, STEUVENTILHALTERUNGEN (NORDAMERIKANISCHE AUSFUEHRUNG)  
FRENO AD ARIA COMPRESSA, STAFFE DELLA VALVOLA DI COM. (VERSIONE NORDAMERICANA)  
FRENO NEUMATICO, SOPORTES DE VALVULA DE CONTROL (VERSION NORTEAMERICANA)  
TRYCKLUFTSBROMS, MANOEVERTENTILFAESTE (NORDAMERIKANSK VERSION)

RXA0053288 -UN-16MAY01



RXA0053288

# 60-99

STEERING AND BRAKES

KEY	PART NO.	PART NAME	QTY.	TRACTOR SERIAL NO.	A L L	REMARKS
1	14M7274	NUT	4		X	M10
2	24M7028	WASHER	4		X	10.500 X 20 X 2 MM
3	R181566	BRACKET	1		X	
4	R63667	WASHER	2		X	
5	RE54579	ELBOW FITTING	1		X	
6	RE188443	HOSE	1		X	
7	RE150839	ELECTRICAL CONNECTOR ASSY	2		X	
8	AL68577	PNEUMATIC CONTROL VALVE	1		X	
9	RE54581	ELBOW FITTING	1		X	
10	RE54582	ELECTRICAL CONNECTOR ASSY	1		X	
11	AL68573	HITCH COUPLING	1		X	(A)
12	AL68572	HITCH COUPLING	1		X	(B)
13	RE54583	ELECTRICAL CONNECTOR ASSY	2		X	
14	19M7550	CAP SCREW	2		X	M10 X 35, HS 10.9
15	RE54602	ELECTRICAL CONNECTOR ASSY	1		X	
16	RE54578	TEE FITTING	1		X	
17	RE54579	ELBOW FITTING	2		X	
18	AL68571	HITCH COUPLING	1		X	(C)
19	RE54573	ELBOW FITTING	1		X	
20	14M7209	NUT	2		X	M18
21	RE188445	HOSE	1		X	
22	14M7274	NUT	2		X	M10
23	24M7346	WASHER	4		X	11 X 20 X 2 MM
24	RE188442	LINE	1		X	

(A) BLACK  
NOIR  
SCHWARZ  
NERO  
NEGRO  
SVART

(B) YELLOW  
JAUNE  
GELB  
GIALLO  
AMARILLO  
GUL

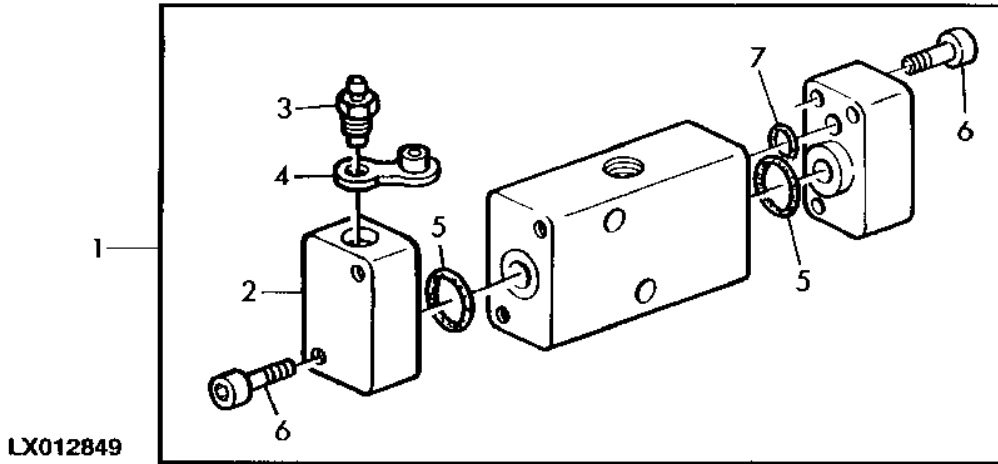
(C) RED  
ROUGE  
ROT  
ROSSO  
ROJO  
ROED

# 60-110

STEERING AND BRAKES

TRAILER BRAKE VALVE  
 SOUPAPE DE FREIN DE REMORQUE (TSN 004391- )  
 ANHAENGERBREMSVENTIL (TSN 004391- )  
 VALVOLA DEL FRENO DEL RIMORCHIO (TSN 004391- )  
 VALVULA DEL FRENO DEL REMOLQUE (TSN 004391- )  
 SLAEPVAGNSBROMSVENTIL (TSN 004391- )

LX012849 -UN-19APR96



KEY	PART NO.	PART NAME	QTY.	TRACTOR SERIAL NO.	A L L	REMARKS
1	AL150662	HYD ACTUATED CONTROL VALVE	1		X	
2	L78625	COVER	1		X	
3	L102453	BLEED VALVE	1		X	
4	R47862	CAP	1		X	
5	R76617	O-RING	2		X	
6	19M8263	SCREW	5		X	M6 X 30
7	L53976	O-RING	1		X	

# 70-5

HYDRAULICS

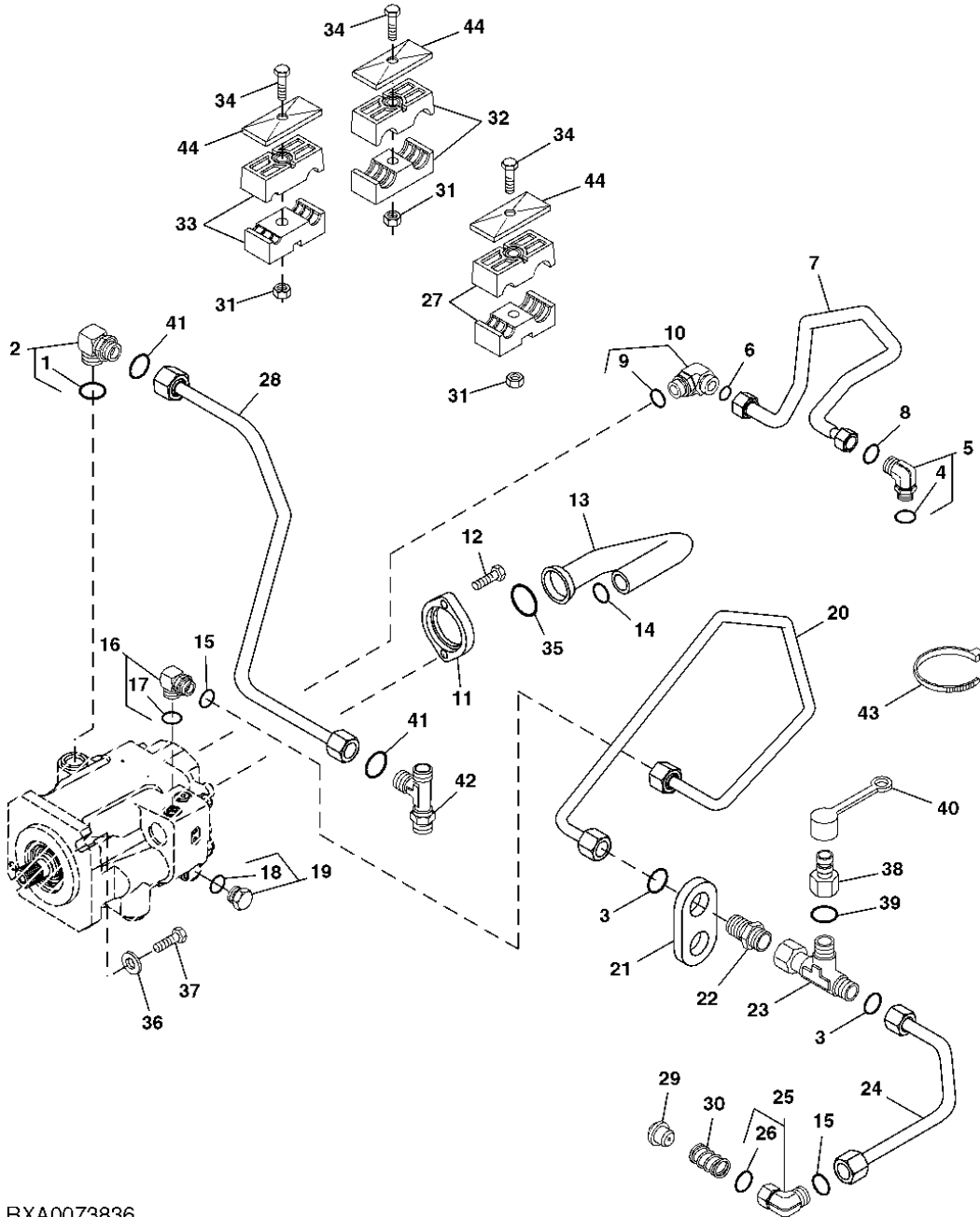
KEY	PART NO.	PART NAME	QTY.	TRACTOR SERIAL NO.	A	REMARKS
					L	
1	RE50172	OIL TUBE	1		X	
2	RE50173	OIL TUBE	1		X	
3	R495R	O-RING	2		X	
4	19M7786	SCREW	4		X	M10 X 30
5	R191476	FLANGE FITTING	2		X	
6	T78313	O-RING	2		X	

# 70-16

HYDRAULICS

HYDRAULIC PUMP LINES (57 CM3 (3.5 IN3)) (TSN -016169)  
TUYAUTERIES HYDRAULIQUES (57 CM3 (3.5 IN3)) (TSN -016169)  
HYDRAULIKOELLEITUNGEN (57 CM3 (3.5 IN3)) (TSN -016169)  
LINEE IDRAULICHE (57 CM3 (3.5 IN3)) (TSN -016169)  
TUBERIAS DE ACEITE HYDRAULICO (57 CM3 (3.5 IN3)) (TSN -016169)  
HYDRAULLEDNINGAR (57 CM3 (3.5 IN3)) (TSN -016169)

RXA0073836 -UN-09MAR04



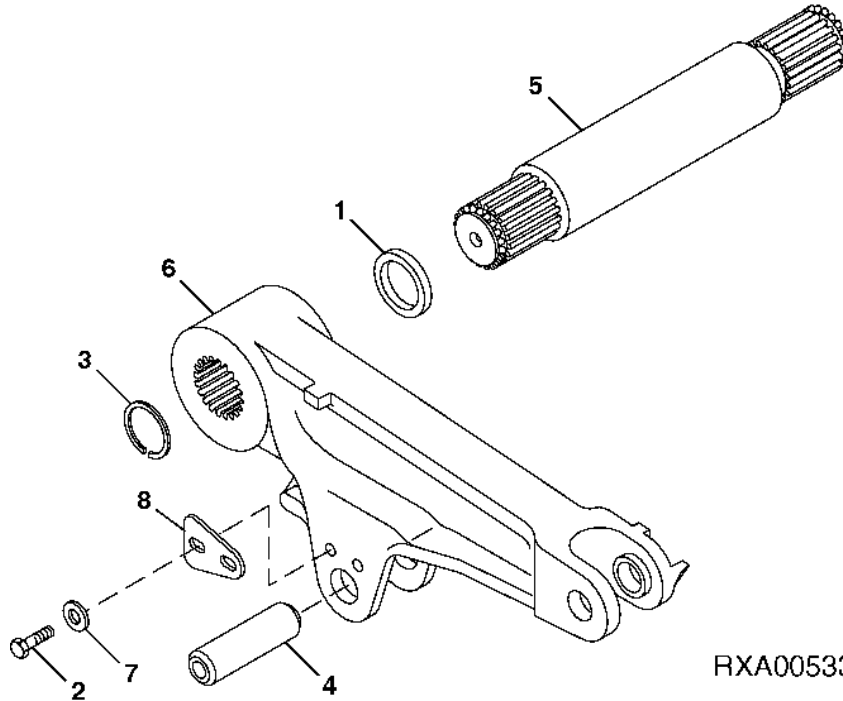
RXA0073836

# 70-27

HYDRAULICS

ROCKSHAFT / LIFT ARMS  
 ARBRE DE RELEVAGE / BRAS DE RELEVAGE  
 MIT KRAFTHEBER / HUBARME  
 EJE OSCILANTE / BRACCI  
 ALBERO OSCILLANTE / BRAZOS DE ELEVACION  
 LYFTARMSAXEL / LYFTARMAR

RXA0053304 -UN-18MAY01



RXA0053304

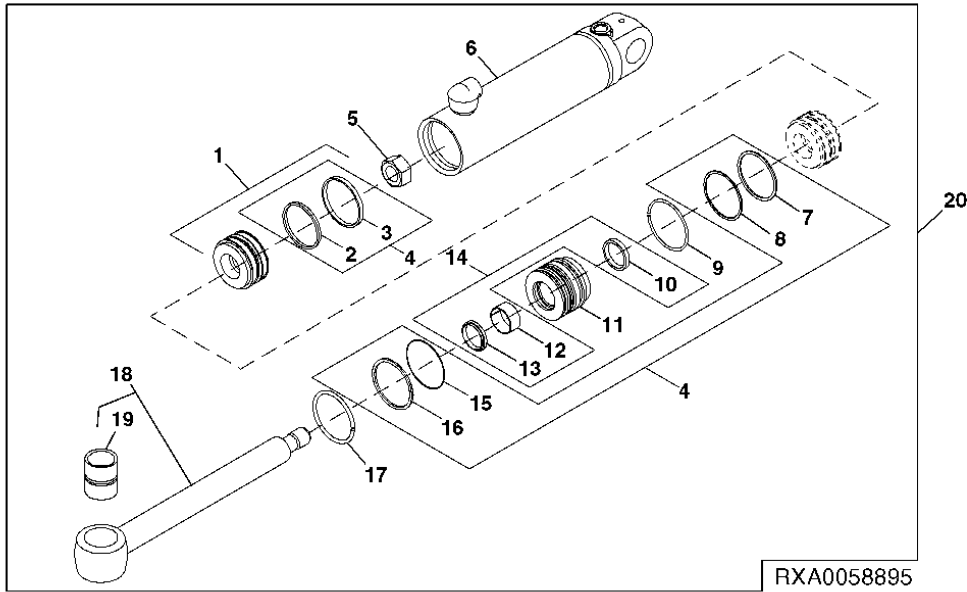
KEY	PART NO.	PART NAME	QTY.	TRACTOR SERIAL NO.	A		REMARKS
					L	L	
1	R135001	SEAL	2		X		
2	19M8011	CAP SCREW	2		X		M12 X 30, HS 10.9
3	R53658	SNAP RING	2		X		
4	R169924	PIN	2		X		
5	R134705	ROCKSHAFT	1		X		
6	R163714	LIFT ARM	1		X	R.H.	
	R163715	LIFT ARM	1		X	L.H.	
7	24M7240	WASHER	2		X		13 X 25 X 3 MM
8	R177496	PLATE	2		X		

# 70-38

HYDRAULICS

LIFT CYLINDER (100 MM)  
 VERIN DE RELEVAGE (100 MM)  
 HUBZYLINDER (100 MM)  
 CILINDRO DI SOLLEVAMENTO (100 MM)  
 CILINDRO DE ELEVACION (100 MM)  
 LYFTCYLINDER (100 MM)

RXA0058895 -UN-04DEC01



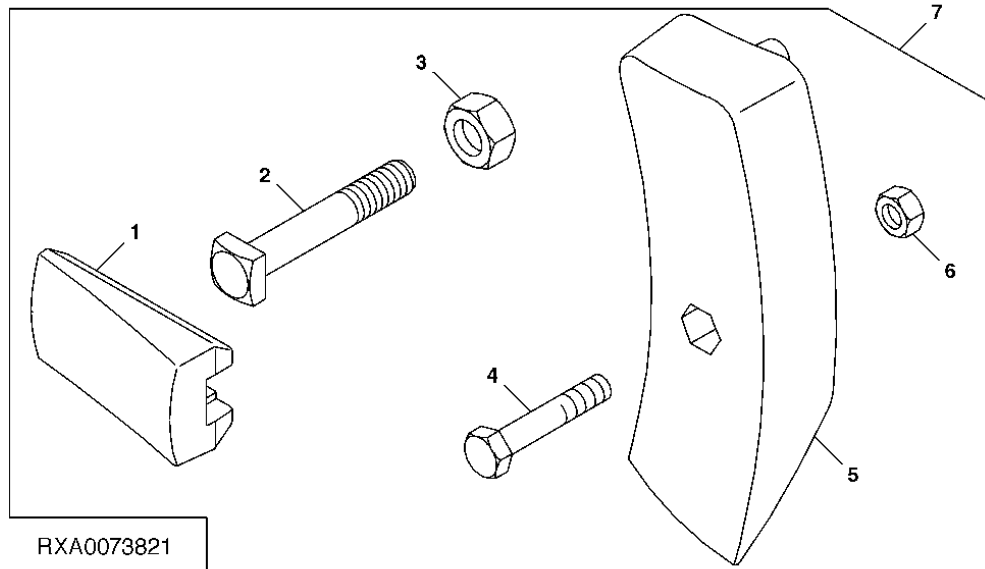
KEY	PART NO.	PART NAME	QTY.	TRACTOR SERIAL NO.	A L L	REMARKS
1	AH164620	PISTON	1		X	
2	.....	RING	1		X	
3	.....	SEAL	1		X	
4	AH212100	HYDRAULIC CYLINDER KIT	1		X	
5	H170540	LOCK NUT	1		X	M33
6	AH174939	HYDRAULIC CYLINDER BARREL	1		X	
7	R83577	O-RING	1		X	
8	R81862	BACK-UP RING	2		X	
9	H180094	SNAP RING	1		X	
10	H152203	SEAL	1		X	
11	H180079	HYDR. CYLINDER ROD GUIDE	1		X	
12	H152794	BEARING	1		X	
13	AH146557	SEAL	1		X	
14	AH148164	SEAL KIT	1		X	
15	.....	O-RING	1		X	
16	R91731	RING	1		X	
17	H180080	SNAP RING	1		X	
18	AH168807	HYDRAULIC CYLINDER ROD	1		X	
19	R89940	BUSHING	1		X	
20	AH174938	HYDRAULIC CYLINDER	1	-020263	X	(SUB AH210895)
21	AH210895	HYDRAULIC CYLINDER	2	020264-	X	

# 70-49

HYDRAULICS

**DRAFT LINK BUMPER AND SWAY BLOCK (HEAVY DUTY KIT)**  
**BUTOIR DE TIRANT ET CALE STABILISATRICE (POUR SERVICE SEV'RE)**  
**UNTERLENKERPUFFER UND STABILISIERUNGSANSCHLAG (SCHWERE AUSFUEHRUNG)**  
**PARAURTI PARALLELE E BLOCCO STABILIZZATORE (PER SERVIZIO PESANTE)**  
**PARACHOQUES Y BLOQUE DE OSCILACION DE ESLABON DE TIRO (SERVICIO SEVERO)**  
**DRAGARMSBUFFERT OCH STABILISERINGSBLOCK (EXTRA KRAFTIG)**

RXA0073821 -UN-05MAR04



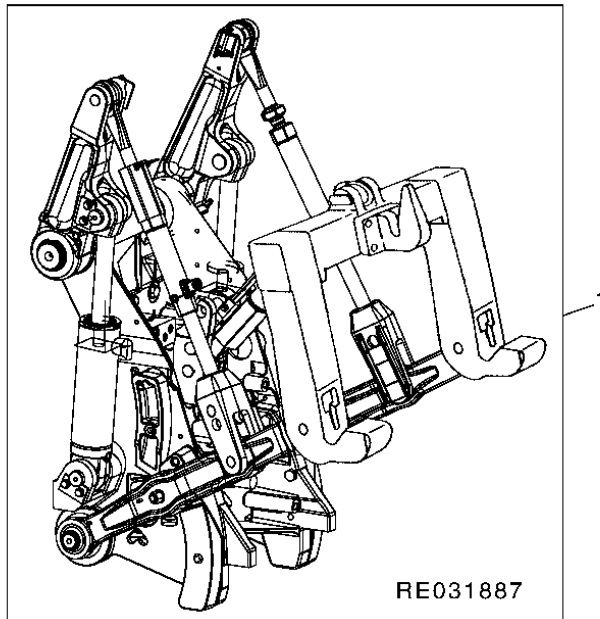
KEY	PART NO.	PART NAME	QTY.	TRACTOR SERIAL NO.	A L L	REMARKS
1	R207661	BUMPER	2		X	(USE WITH R207665 AND R207666)
2	R174703	BOLT	2		X	
3	14M7554	LOCK NUT	2		X	M20
4	19M6824	CAP SCREW	2		X	M16 X 120
5	R207665	SWAY BLOCK	1		X	(USE WITH R207661) RH
	R207666	SWAY BLOCK	1		X	(USE WITH R207661) LH
6	14M7328	LOCK NUT	2		X	M16
7	RE223545	KIT	1		X	

# 70-60

HYDRAULICS

HITCH KIT (W/O LIFT CYLINDERS)  
JEU D'ATTELAGE (W/O VERIN DE RELEVAGE)  
ANHAENGEVORRICHTUNGS-BAUSATZ (W/O HUBZYLINDER)  
KIT ATTACCO (W/O CILINDRO DI SOLLEVAMENTO)  
CONJUNTO DE ENGANCHE (W/O CILINDRO DE ELEVACION)  
LYFTSATS (W/O LYFTCYLINDER)

RE031887 -UN-10JUL00



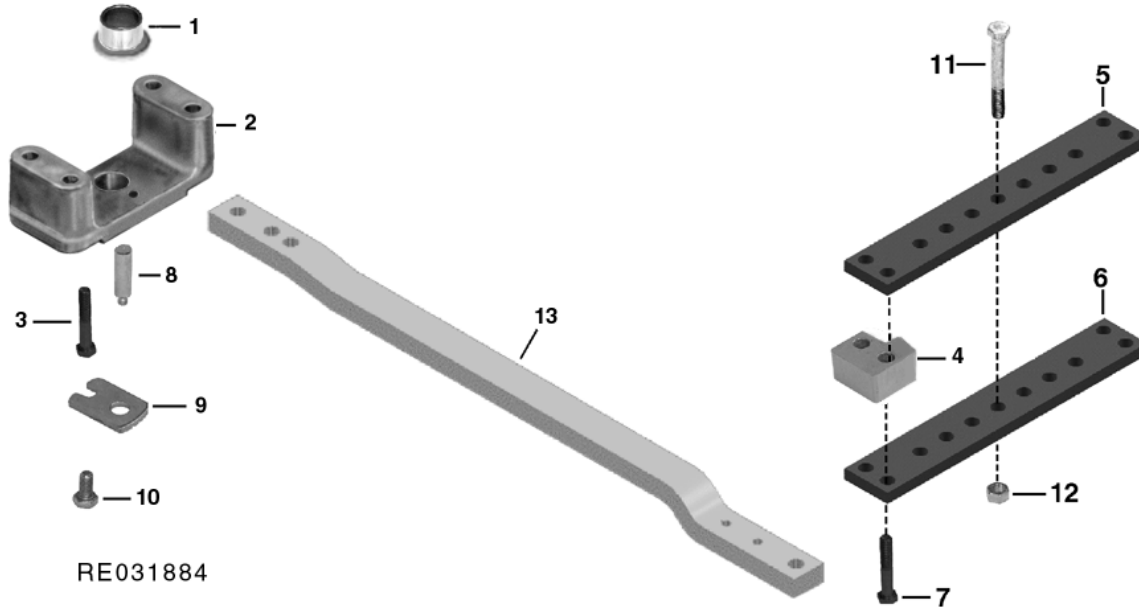
# 70-71

HYDRAULICS

KEY	PART NO.	PART NAME	QTY.	TRACTOR		REMARKS
				SERIAL NO.		
				8	8	
				1	2	
				2	2	
				0	0	
1	R176604	BUSHING	1	X	X	
2	R174437	SUPPORT	1	X	X	
3	19M9139	CAP SCREW	4	X	X	M20 X 130, HS 10.9
4	R173115	SPACER	2	X	X	
5	R173113	STRAP	1	X	X	
6	R170700	DRAWBAR	1	X	X	
7	19M9144	CAP SCREW	4	X	X	M20 X 180, HS 10.9
8	R175354	PIN	1	X	X	
9	R115453	STRAP	1	X	X	
10	19M7784	SCREW	1	X	X	M10 X 20, HS 10.9
11	19M9142	CAP SCREW	4	X	X	M20 X 160, HS 10.9
12	14M7277	NUT	2	X	X	M20
13	AL14535	QUICK LOCK PIN	1	X	X	M20 X 120, HS 10.9
14	R171367	DRAWBAR	1	X	X	
15	R192828	BRACE	1	X	X	
16	19M9140	CAP SCREW	4	X	X	M20 X 140
17	R179746	LEVER	1	X	X	
18	24M7344	WASHER	4	X	X	22 X 37 X 3 MM
19	R191601	PLATE	1	X	X	
20	19M9135	CAP SCREW	4	X	X	M20 X 100, HS 10.9
21	L115418	WASHER	4	X	X	
22	R173567	STRAP	1	X	X	
23	RE173568	PIN	1	X	X	
24	RE190854	FIELD INSTALLATION KIT	1	X	X	

REGULAR DRAWBAR (EUROPEAN VERSION)  
 BARRE D'ATTELAGE COURANTE (VERSION EUROPEENNE)  
 REGULAERES ZUGPENDEL (EUROPAEISCHE AUSFUEHRUNG)  
 BARRA DI TRAINO REGOLARE (VERSIONE EUROPEA)  
 BARRA DE TIRO REGULAR (VERSION EUROPEA)  
 STANDARDDRAGBOM (EUROPEISK VERSION)

RE031884 -UN-14JUL00



RE031884

KEY	PART NO.	PART NAME	QTY.	TRACTOR SERIAL NO.	A L L	REMARKS
1	R130953	BUSHING	1		X	
2	R152538	SUPPORT	1		X	
3	19M9137	CAP SCREW	4		X	M20 X 120, HS 10.9
4	R108301	SPACER	2		X	
5	R108299	STRAP	1		X	
6	R108300	STRAP	1		X	
7	19M9139	CAP SCREW	4		X	M20 X 130, HS 10.9
	19M7597	CAP SCREW	4		X	(A) M20 X 50, HS 10.9
8	R130981	PIN	1		X	
9	R115453	STRAP	1		X	
10	19M7784	SCREW	1		X	M10 X 20, HS 10.9
11	19M7968	CAP SCREW	2		X	M20 X 130, HS 10.9
12	14M7277	NUT	2		X	M20
13	R133415	DRAWBAR	1		X	(B)

(A) W/O DRAWBAR  
 W/O BARRE D'ATTELAGE  
 W/O ZUGPENDEL  
 W/O BARRA DI TRAINO  
 W/O BARRA DE TIRO  
 W/O DRAGBOM

(B) REVERSIBLE  
 REVERSIBLE  
 UMKEHRBAR  
 AD INVERSIONE  
 REVERSIBLE  
 VAENDBAR

# 70-93

HYDRAULICS

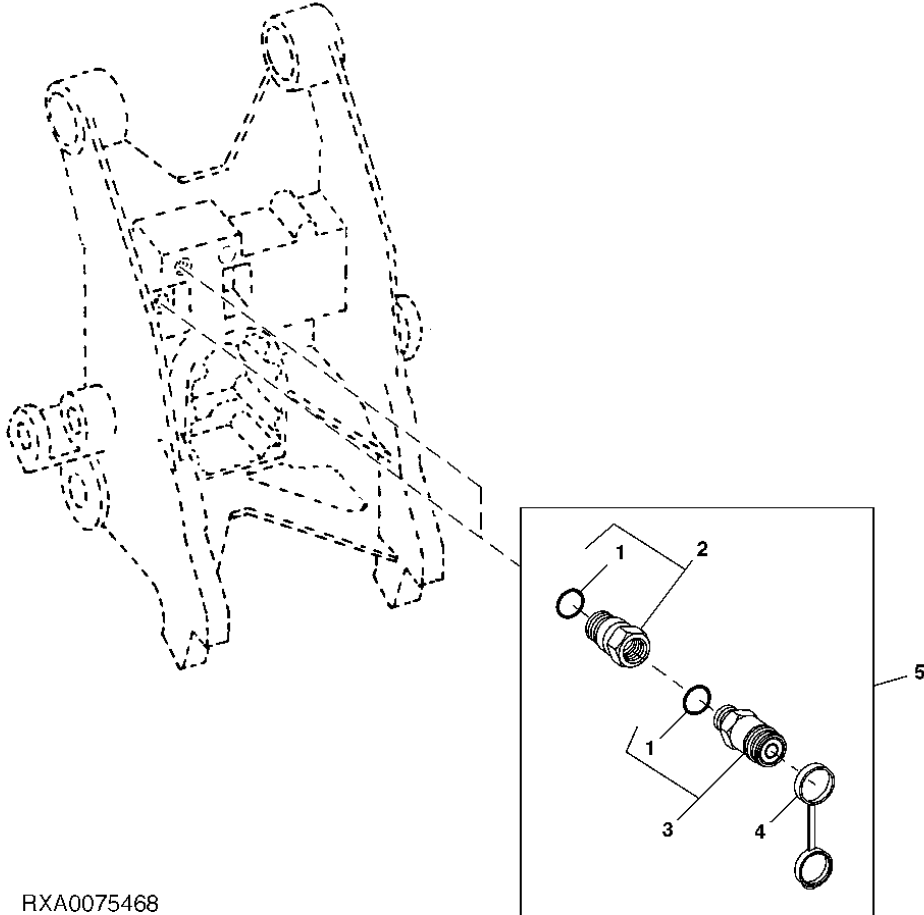
KEY	PART NO.	PART NAME	QTY.	TRACTOR SERIAL NO.	A	REMARKS
					L	
1	RE63207	SHIELD	1		X	
2	L100303	HOOK	1		X	
3	RE61511	SUPPORT	1		X	
4	19M8397	CAP SCREW	1		X	M8 X 50, HS 10.9
5	14M7452	LOCK NUT	1		X	M8
6	14M7452	LOCK NUT	1		X	M8
7	19M8224	CAP SCREW	4		X	M20 X 60, HS 10.9
8	24M7242	WASHER	4		X	21.400 X 42 X 5 MM
9	24M7242	WASHER	2		X	21.400 X 42 X 5 MM
10	19M7597	CAP SCREW	2		X	M20 X 50, HS 10.9
11	RE61513	PIN	1		X	
12	24M7096	WASHER	1		X	10.500 X 18 X 1.600 MM
13	R191668	BRACKET	1		X	
14	58M7006	LUBRICATION FITTING	5		X	
15	RE61512	SUPPORT	1		X	
16	L100304	EXTENSION SPRING	1		X	
17	11M7071	COTTER PIN	2		X	8 X 40 MM
18	24M7243	WASHER	2		X	25.400 X 50 X 6 MM
19	24M7346	WASHER	2		X	11 X 20 X 2 MM
20	L101222	PIN FASTENER	2		X	
21	19M8249	CAP SCREW	1		X	M24 X 100, HS 10.9
22	14M7278	NUT	1		X	M24
23	RE71008	BRACKET	1		X	
24	AL80049	SHOCK ABSORBER	1		X	

# 70-104

HYDRAULICS

FLUSH FACE CASE DRAIN COUPLER KIT  
KIT DE RACCORD DE DRAIN DE CARTER A FACE PLATE  
SATZ MIT FLACHEN GEHAEUSEABLASS-KUPPLERN  
KIT ATTACCHO DI SCARICO A FACCIA PIANA  
JUEGO DE ACOPLADORES DE VACIADO DE CAJA DE SUPERFICIE PLANA  
SATS MED FLATA KAAPDRAENERINGSKOPPLINGAR

RXA0075468 -UN-14JUN04



RXA0075468

# 70-115

HYDRAULICS

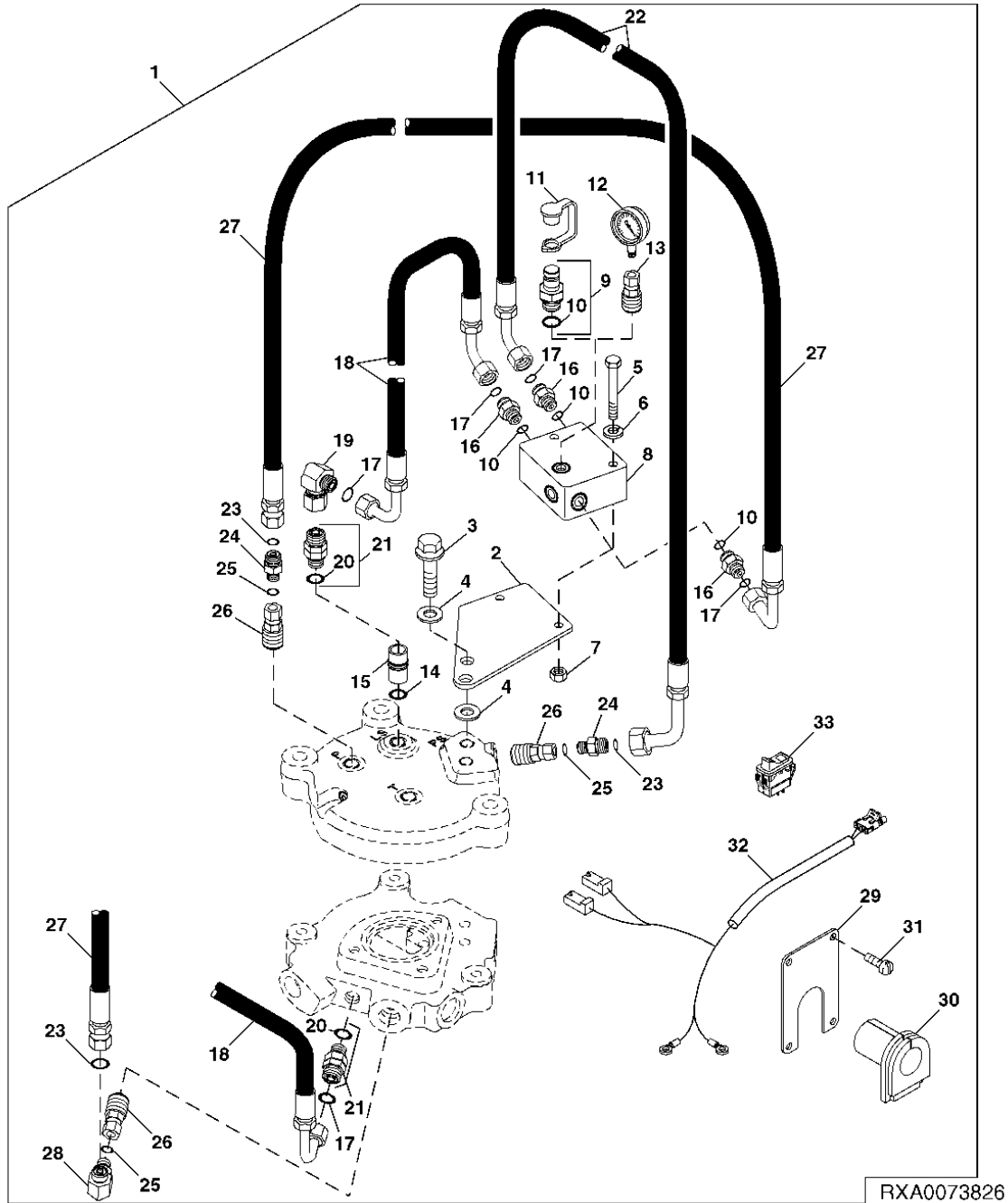
KEY	PART NO.	PART NAME	QTY.	TRACTOR SERIAL NO.	A L L	REMARKS
1	R134168	SUPPORT	1		X	(SUB R228753)
2	R69166	PIN	2		X	
3	R121525	PIN	2		X	
4	11M7059	COTTER PIN	2		X	3.200 X 20 MM
5	T112635	PIN	2		X	
6	19M8503	CAP SCREW	8		X	M20 X 160, HS 10.9. (USE WITH R134168)
	19M7907	SCREW	8		X	M20 X 140, HS 10.9. (USE WITH R228753)
	19M8100	CAP SCREW	2		X	M20 X 180, HS 10.9
7	R125399	PIN	1		X	
8	R166057	ROD	1		X	
9	24M7242	WASHER	16		X	21.400 X 42 X 5 MM
10	19M7883	SCREW	4		X	M20 X 120, HS 10.9
11	RE174238	LIFT LINK	2		X	
12	R174714	HANDLE	1		X	
13	R174716	CLIP	1		X	
14	11M7037	COTTER PIN	1		X	6.300 X 36 MM
15	R232547	SPACER	2		X	(USE WITH R228753)

# 71-4

SELECTIVE CONTROL VALVE

LOW STAND-BY PRESSURE CONTROL KIT  
KIT DE CONTROLE DE BASSE PRESSION DE REPOS  
REGLERSATZ FUER GERINGEN BEREITSCHAFTSDRUCK  
KIT DI CONTROLLO BASSA PRESSIONE IN STAND-BY  
JUEGO DE CONTROL DE PRESION DE ESPERA BAJA  
REGLERSATS FOER LAAGT RESERVTRYCK

RXA0073826 -UN-10MAR04



# 71-15

SELECTIVE CONTROL VALVE

KEY	PART NO.	PART NAME	QTY.	TRACTOR SERIAL NO.	A L L	REMARKS
1	RE61323	HOSE	1		X	
	RE206437	HYDRAULIC HOSE	1		X	(SUB FOR RE197050)
2	T77613	O-RING	5		X	
3	N202662	ORIFICE	1		X	
4	38H5105	TEE FITTING	1		X	
5	RE58763	SPACER	1		X	STD V1
	RE213458	SPACER	1		X	STD V2 AND V3
6	R196840	RING	1		X	(SUB FOR R122147)
7	T11899	O-RING	1		X	
8	38H5016	ELBOW FITTING	1		X	
9	51M7041	O-RING	1		X	11.300 X 2.200 MM
10	RE219422	HYD. QUICK-CONNECT COUPLER	2		X	(SUB FOR RE161000)
11	51M7045	O-RING	2		X	19.300 X 2.200 MM
12	R124807	CAP	1		X	(A)
	R125531	COVER	1		X	(B)
13	AH83821	CAP	1		X	
14	R118245	SNAP RING	1		X	
15	R112397	BRACKET	1		X	
16	19M7168	CAP SCREW	1		X	M10 X 30
17	RE61319	HYD. QUICK-CONNECT COUPLER	1		X	
18	24M7040	WASHER	1		X	11 X 20 X 2 MM
19	14M7274	NUT	1		X	M10
20A	RE61308	OIL LINE	1		X	
	RE194365	OIL LINE	1		X	
20B	RE215402	HOSE	1		X	(USE WITH RE217697)
21	RE49091	FITTING	1		X	
22	51M7041	O-RING	1		X	11.300 X 2.200 MM
23	51M7041	O-RING	1		X	11.300 X 2.200 MM
24	<b>RE217697</b>	<b>FIELD INSTALLATION KIT</b>	<b>1</b>		<b>X</b>	<b>(SUB FOR RE188665)</b>
25	R133794	BACK-UP RING	2		X	
26	R152879	PACKING	1		X	
..	22H912	SET SCREW	1		X	0.190" X 1/4"
..	RE213458	SPACER	1		X	

(A) RETURN  
RETOUR  
RUECKLAUF  
RETORNO  
RITORNO  
RETUR

(B) PRESSURE  
PRESSION  
DRUCK  
PRESSIONE  
PRESION  
TRYCK

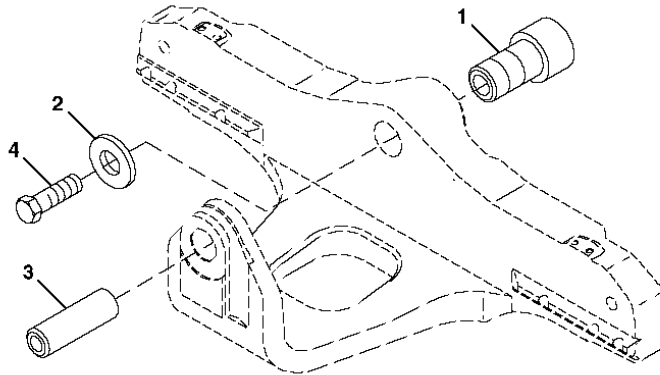


# 80-1

WHEELS, FRONT AXLES AND SHEET METAL

FRONT AXLE CENTER  
 PARTIE INTERMEDIAIRE D'ESSIEU AVANT  
 VORDERACHS-MITTELSTUECK  
 ASSALE CENTRALE ANTERIORE  
 PUENTE CENTRAL DEL EJE DELANTERO  
 MITTSEKTION AV FRAMAXELN

RXA0053094 -UN-01MAY01



RXA0053094

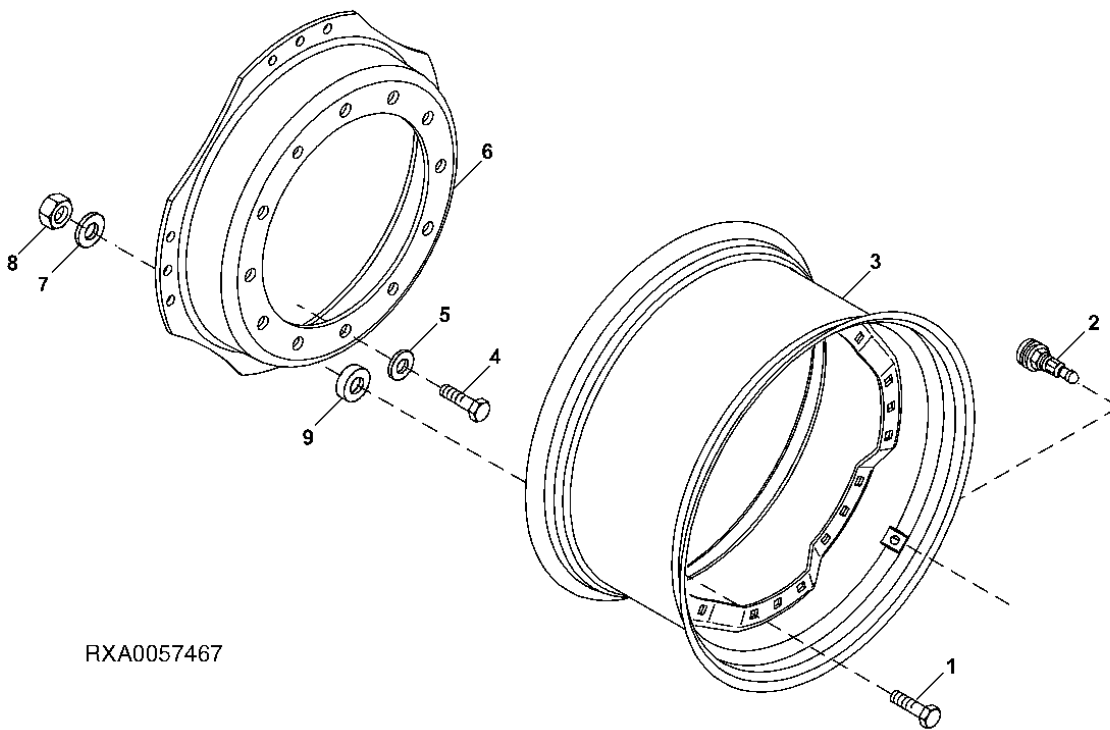
KEY	PART NO.	PART NAME	QTY.	TRACTOR SERIAL NO.	REMARKS
				8 8	
				1 2	
				2 2	
				0 0	
1	R111398	PIN	1		X X
2	R116440	BUSHING	1		X X
3	R73635	BUSHING	1		X X REAR
4	19M8639	CAP SCREW	1		X X M20 X 70, HS 10.9

# 80-12

WHEELS, FRONT AXLES AND SHEET METAL

FRONT WHEEL ASSEMBLY (MFWD) (12 BOLT) (8-POSITION)  
ROUES AVANT ROUEMENTS (MFWD) (12 BOULONS) (8-POSITIONS)  
VORDERRAEDER LAGER (MFWD) (12 SCHRAUBEN) (8-POSITION)  
ROUTE ANTERIORI MOZZO (MFWD) (12 BULLONE) (8-POSIZIONE)  
RUEDAS DELANTERAS RODAMIENTOS (MFWD) (12 BULONES) (8-POSICION)  
FRAMHJULSENHET (MFWD) (12 BULTAR) (8-POSITION)

RXA0057467 -UN-11OCT01



RXA0057467

# 80-23

## WHEELS, FRONT AXLES AND SHEET METAL

KEY	PART NO.	PART NAME	QTY.	TRACTOR SERIAL NO.	8 8 8	REMARKS
					1 2 3	
					2 2 2	
					0 0 0	
1	R105572	CAP SCREW	12		X X X	M22 X 50, HS 10.9
2	R52006	WASHER	12		X X X	
3	R126587	SLEEVE	1		X X X	(E)
	R124249	SLEEVE	1		X	(D)
4	A4883R	SNAP RING	4		X X X	
5	R109147	CAP SCREW	4		X X X	M22 X 56
6	R52006	WASHER	1		X X X	
7	R111009	CAP SCREW	1		X X X	M22 X 172
8	R109823	CAP SCREW	4		X X X	M22 X 171
9	R99437	WASHER	4		X X X	
10	R111103	SLEEVE	1		X X X	(B) (D)
	R111104	SLEEVE	1		X X X	(B) (E)
11	RE172185	WHEEL	1		X X X	(A) (C) (320/90R50)
	RE175532	WHEEL	1		X X X	(A) (C) (420/80R46)
	RE175481	RIM AND WHEEL CENTER	1		X X X	(A) (C) (480/80R42)
	RE174760	RIM AND WHEEL CENTER	1		X X X	(A) (C) (20.8R38) (520/85R38)
	RE161991	WHEEL	1		X X X	(A) (C) (520/85R42)
	RE172186	WHEEL	1		X X X	(A) (C) (380/90R50)
	RE175533	WHEEL	1		X X X	(A) (C) (480/80R46) (18.4R46)
	RE176459	WHEEL	1		X X X	(A) (C) (520/85R42) (20.8R42)
	RE176460	WHEEL	1		X X X	(A) (C) (620/70R42)
	RE166180	WHEEL	1		X X X	(A) (C) (G) (710/70R38)
	RE174770	WHEEL	1		X X X	(A) (C) (F) (710/70R38)
12	R124256	BOLT	1		X X X	
13	R125475	PIN	1		X X X	
14	R124162	HUB	1		X X X	
15	R111010	NUT	1		X X X	
16	R125475	PIN	1		X X X	
17	R124102	PINION	1		X X X	(D)
	R58865	PINION	1		X	(E)
18	AT25226	TIRE VALVE STEM	1		X X X	
	AH86866	PLUG	1		X X X	
19	R74210	O-RING	1		X X X	20.218 X 3.531 MM

(A) FOR TIRE SIZE  
 POUR PNEUMATIQUES  
 FUER BEREIFUNG  
 PER PNEUMATICI  
 PARA NEUMATICOS  
 FOR DACKSDIMENSION

(B) KEY HALF  
 CLAVETTE  
 KEILHALFTE  
 ROTEN DE LLAVE  
 CHIAVETTA  
 KONSPRINT

(C) 76.2 MM FLANGE OFFSET  
 76.2 MM REGLAGE DE BRIDE  
 76.2 MM GEKROPFTER FLANSCH  
 76.2 MM COMPENSACION DE BRIDA  
 76.2 MM DISASSAMENTO FLANGIA  
 76.2 MM JUSTERINGSAVST ND FLANS

(D) 100 MM AXLE  
 100 MM ESSIEU  
 100 MM ACHSE  
 100 MM ASSALE  
 100 MM EJE  
 100 MM AXEL

(E) 110 MM AXLE  
 110 MM ESSIEU  
 110 MM ACHSE  
 110 MM ASSALE  
 110 MM EJE  
 110 MM AXEL

(F) REGION 1 EXCEPT AUSTRALIA  
 REGION 1 SAUF AUSTRALIE  
 REGION 1 AUSSER AUSTRALIEN  
 REGIONE 1 TRANNE L'AUSTRALIA  
 REGION 1 EXCEPTO AUSTRALIA  
 REGION 1 UTOM AUSTRALIEN

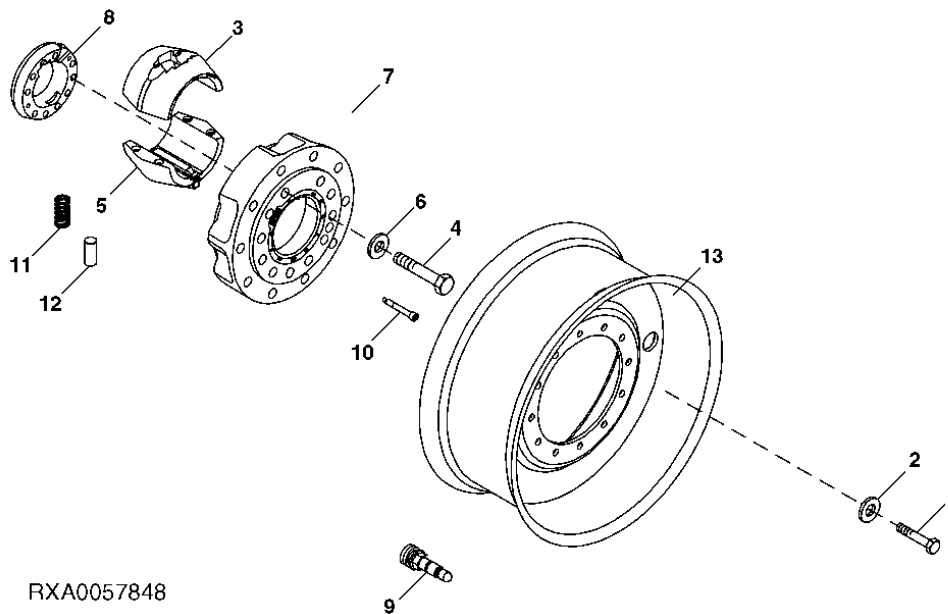
(G) REGION 2 AND AUSTRALIA  
 REGION 2 ET AUSTRALIE  
 REGION 2 UND AUSTRALIEN  
 REGIONE 2 ED L'AUSTRALIA  
 REGION 2 Y AUSTRALIA  
 REGION 2 OCH AUSTRALIEN

# 80-34

WHEELS, FRONT AXLES AND SHEET METAL

STEEL DISK REAR WHEELS (10-BOLT HUB) (HEAVY DUTY)  
ROUES ARRIERE ACIER (ROUE A 10 BOULONS UNIQUEMENT) (POUR SERVICE SEVERE)  
STAHL-HINTERRAEDER (NUR FUER 10-SCHRAUBEN-NABE) (SCHWERE AUSFUEHRUNG)  
RUOTE POSTERIORI ACCIAO (10-BULLONE A COLONNETTA SOLTANTO) (PER SERVIZIO PESANTE)  
RUEDAS TRASERAS CON DISCO DE ACERO (CUBO DE 10 BULONES SOLAMENTE) (SERVICIO SEVERO)  
BAKHJUL MED STALDISK (ENDAST NAV MED 10 BULTAR) (EXTRA KRAFTIG)

RXA0057848 -UN-25OCT01



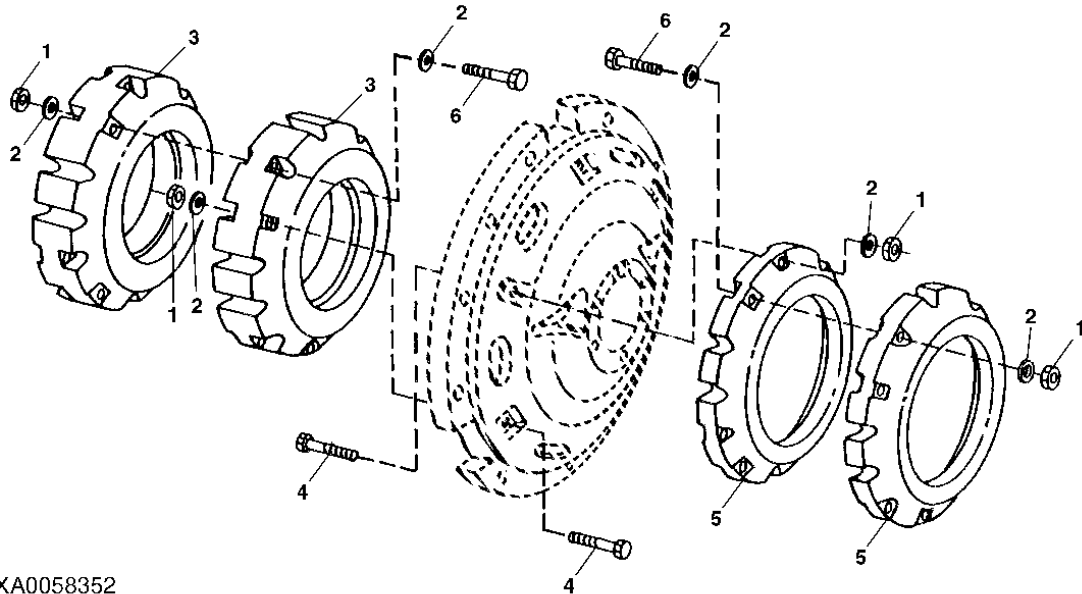
RXA0057848

# 80-45

WHEELS, FRONT AXLES AND SHEET METAL

**WEIGHTS FOR CAST AND HEAVY CAST REAR WHEELS**  
**MASSELOTES D'EQUILIRAGE POUR ROUES ARRIERES EN ALLIAGE ET ALLIAGE RENFORCE**  
**GEWICHTE FUER GUSSEISEN-RAEDER IN NORMALER UND SCHWERER AUSFUEHRUNG**  
**PESI PER RUOTE POSTERIORI IN METALLO FUSO E METALLO FUSO PESANTE**  
**PESA PARA RUEDAS POSTERIORES DE FUNDICION Y FUNDICION PESADA**  
**VIKTER TILL GJUTNA OCH TUNGA, GJUTNA BAKHJUL**

RXA0058352 -UN-08NOV01



RXA0058352

KEY	PART NO.	PART NAME	QTY.	TRACTOR SERIAL NO.	A L L	REMARKS
1	14M7277	NUT	3		X (A) M20	
	14M7276	NUT	2		X (B) M16	
2	24M7242	WASHER	3		X (A) 21.400 X 42 X 5 MM	
	24M7241	WASHER	6		X (B) 17 X 34 X 4 MM	
3	<b>R167152</b>	<b>WEIGHT</b>	<b>AR</b>		<b>X (SUB R207782) 208 KG (458 LBS)</b>	
4	R210763	CAP SCREW	3		X (A) (SUB FOR R170745) M20 X 160 X 2.5	
	R116179	CAP SCREW	3		X (B) (SUB R210960) HS 10.9, X 2	
5	<b>R167153</b>	<b>WEIGHT</b>	<b>AR</b>		<b>X 72 KG (159 LBS)</b>	
6	19M8503	CAP SCREW	3		X (A) M20 X 160, HS 10.9	
	19M8486	CAP SCREW	3		X (B) M16 X 180, X 2	

(A) 10 BOLT WHEEL  
 ROUE A 10 BOULONS  
 RAD MIT 10 BOLZEN  
 RUOTA A 10 BULLONI  
 FUEDA DE 10 PERNOS  
 HJUL MED 10 BULTAR

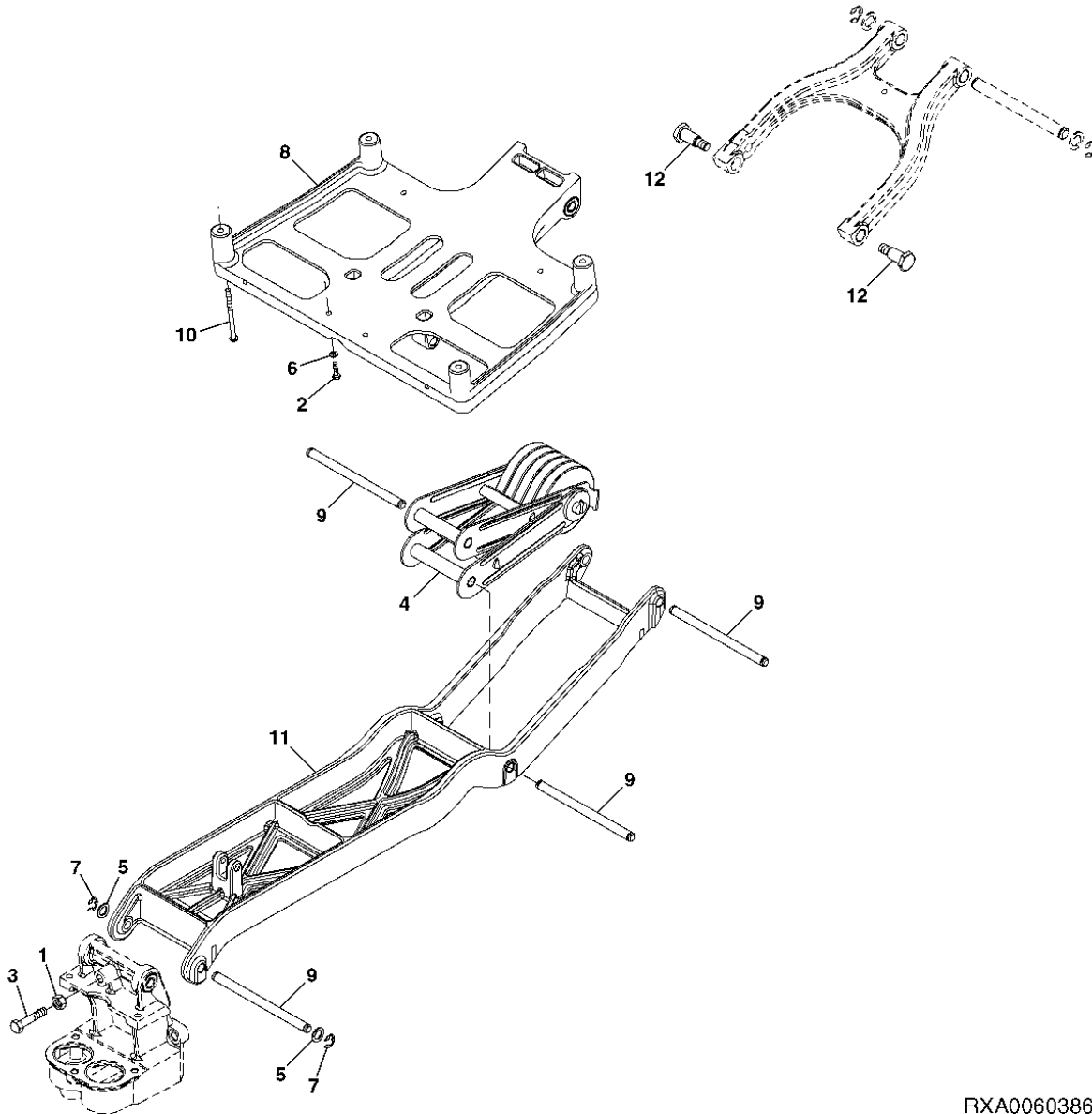
(B) 5 BOLT WHEEL  
 ROUE A 5 BOULONS  
 RAD MIT 5 BOLZEN  
 RUOTA A 5 BULLONI  
 FUEDA DE 5 PERNOS  
 HJUL MED 5 BULTAR

# 80-56

WHEELS, FRONT AXLES AND SHEET METAL

HOOD SUPPORT  
ETAI DE CAPOT  
HAUBENSTUETZE  
SUPPORTO COFANO  
SOPORTE DEL CAPO  
HUVSTOED

RXA0060386 -UN-26APR02



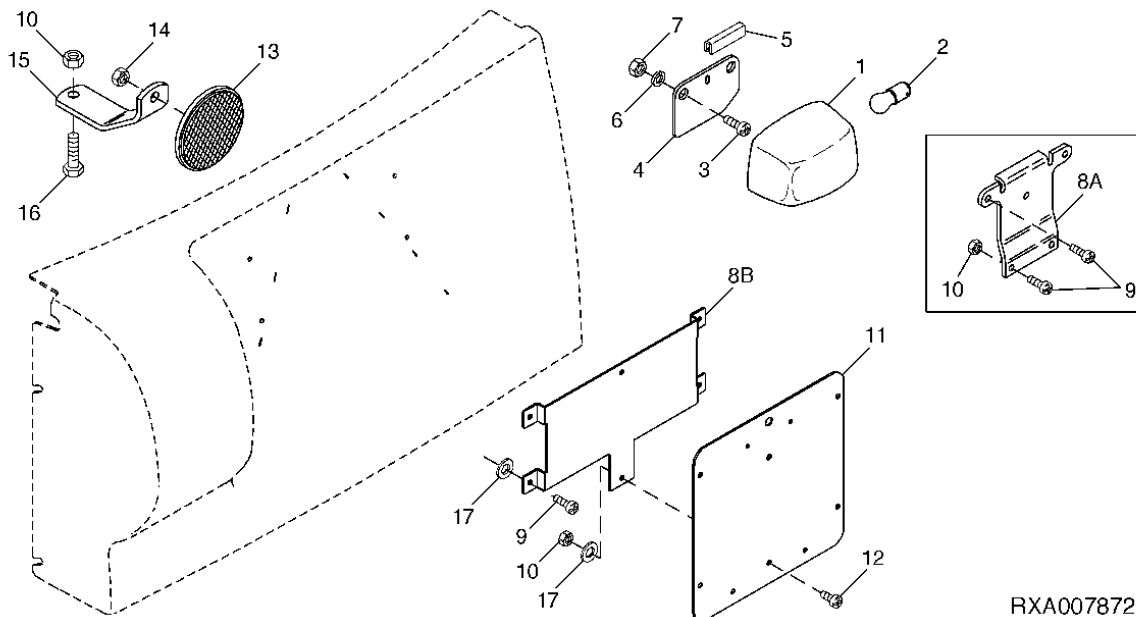
RXA0060386

# 80-67

WHEELS, FRONT AXLES AND SHEET METAL

LICENSE PLATE AND LAMP (EUROPEAN VERSION)  
 PLAQUE MINERALOGIQUE ET FEU (VERSION EUROPEENNE)  
 KENNZEICHENHALTER UND LAMPE (EUROPAEISCHE AUSFUEHRUNG)  
 SUPPOTO TARGA E LAMPADINA (VERSIONE EUROPEA)  
 PLACA DE CIRCULACION Y LUZ (VERSION EUROPEA)  
 REGISTRERINGSSKYLT MED BELYSNING (EUROPEISK VERSION)

RXA0078724 -UN-25JAN05

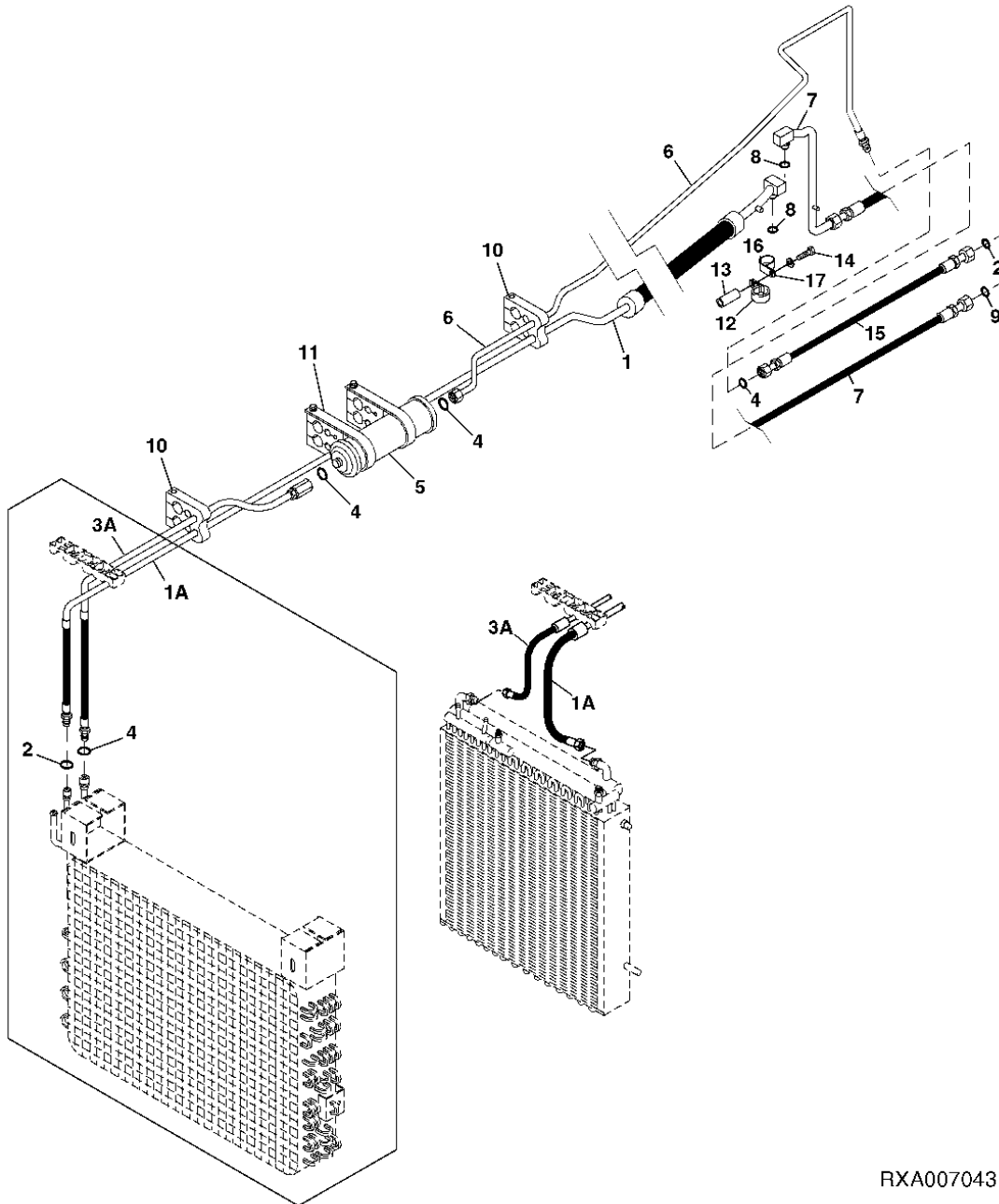


RXA0078724

KEY	PART NO.	PART NAME	QTY.	TRACTOR SERIAL NO.	A L L	REMARKS
1	AL33161	LENS	1		X	
2	57M7013	BULB	1		X	
3	21M7250	SCREW	2		X	M4 X 12
4	R175436	GASKET	1		X	(SUB R254929)
5	RE56284	ISOLATOR	1		X	
6	12M7084	LOCK WASHER	2		X	4.300 MM
7	14M7100	NUT	2		X	M4
8A	R127177	SUPPORT	1		X	(SUB R230198)
8B	R230198	BRACKET	1		X	
9	21M7185	SCREW	4		X	M5 X 16
10	14M7265	LOCK NUT	5		X	M5
11	R125408	PLATE	1		X	
12	21M7265	SCREW	2		X	M5 X 12
13	L39871	REFLECTOR	1		X	
14	14M7297	NUT	1		X	M5
15	R128500	BRACKET	1		X	
16	19M7550	CAP SCREW	1		X	M10 X 35
17	24M7139	WASHER	6		X	6.400 X 18 X 1.600 MM

REFRIGERANT LINES (NORTH AMERICAN VERSION)  
 CONDUITES DE REFRIGERANT (VERSION NORD AMERICAINE)  
 KUEHLMITTEL LEITUNG (NORDAMERIKANISCHE AUSFUEHRUNG)  
 TUBAZIONE DEL REFRIGERANTE (VERSIONE NORDAMERICANA)  
 TUBERIAS YDE REFRIGERANTE (VERSION NORTEAMERICANA)  
 KYLMEDELNING (NORDAMERIKANSK VERSION)

RXA0070431 -UN-09SEP03



RXA0070431

# 90-19

## OPERATOR'S STATION ACCESSORIES

KEY	PART NO.	PART NAME	QTY.	TRACTOR SERIAL NO.	A L L	REMARKS
1	RE163675	BEZEL	1		X	
2	R120160	CLIP	2		X	
3	RE187966	AIR FILTER	1		X	
4	H85092	SCREW	2		X	
5	RE198074	TEMPERATURE SWITCH	1		X	(SUB FOR AH144020) (SUB RE244318, THIS APPLICATION)
	RE244318	SWITCH	1		X	(ALSO ORDER RE244317)
6	37M7073	SCREW	6		X	
7	RE49636	RESISTOR	1		X	
8	RE208336	MOTOR	1	010000-	X	
	RE162771	MOTOR	1	-009999	X	(SUB RE208336)
	RE162772	IMPELLER	1	-009999	X	(SUB RE208336)
9	M74782	NUT	4		X	
10	19M7863	SCREW	4		X	M6 X 25, HS 10.9
	T178251	CAP SCREW	4		X	(USE WITH R237040)
11	M84972	NUT	4		X	
12	R162769	SEAL	1		X	
13	R52130	LOCK NUT	2		X	
14	R190722	HOUSING	1		X	(SUB FOR R161656)
15	R96248	CLIP	10		X	
	R164664	CLIP	4		X	(USE WITH R161656)
16	RE187311	EVAPORATOR	1		X	
17	PT11778	BOLT	2		X	
18	L77943	PLATE	1		X	
19	R113050	O-RING	1		X	
20	R33259	O-RING	1		X	
21	RE174764	VALVE	1		X	
22	RE177967	HEATER	1		X	
23	R244664	HOUSING	1		X	(SUB FOR R170125 OR R190723)
24	R163985	GROMMET	2		X	
25	T184924	HOSE CLAMP	1		X	
26	R125454	RADIATOR HOSE	1		X	
27	AT193500	HAND OPERATED VALVE	1		X	(A)
28	RE244313	MODULE	1	010000-	X	(SUB FOR RE201288, RE183815 OR RE244662)
	RE187308	MODULE	1	-009999	X	(SUB RE201288)
29	RE58614	PUSH PULL CABLE	1		X	
30	L57881	CLIP	1		X	
31	R220514	LINE	1		X	
32	T184620	SCREW	1		X	
33	R222727	HOSE CLAMP	1		X	
34	N372347	HOSE FITTING	1		X	(SUB R237040)
35	37M7091	SCREW	3		X	
	37M7090	SCREW	3		X	M6 X 16, (USE WITH R170125)
36	RE156959	TUBE	1	-022528	X	
	RE220511	LINE	1	022529-	X	
37	24M7100	WASHER	3		X	6.600 X 22 X 2 MM
38	R168496	SCREW WITH WASHER	5		X	
39	R154321	BRACKET	1		X	
40	H110842	SCREW	1		X	
41	R154320	ADAPTER	1		X	
42	RE154318	VALVE	1		X	(A)
43	R125223	PLATE	1		X	
44	19M8666	SCREW	1		X	M6 X 16
45	R115893	TEE FITTING	1	022529-	X	
46	R220513	CONDUIT	1	022529-	X	
47	R222176	HOSE	1	022529-	X	
48	R115350	GROMMET	1	022529-	X	
49	R44302	TIE BAND	4	022529-	X	
50	RE244317	WIRING HARNESS	1		X	(USE WITH RE244318)

(A) WATER  
EAU  
WASSER  
ACQUA  
AGUA  
VATTEN

# 90-30

OPERATOR'S STATION ACCESSORIES

---

MEMORANDA  
MEMORANDA  
MEMORANDA  
MEMORANDA  
MEMORANDA  
MEMORANDA

# 91-7

OPERATOR'S STATION

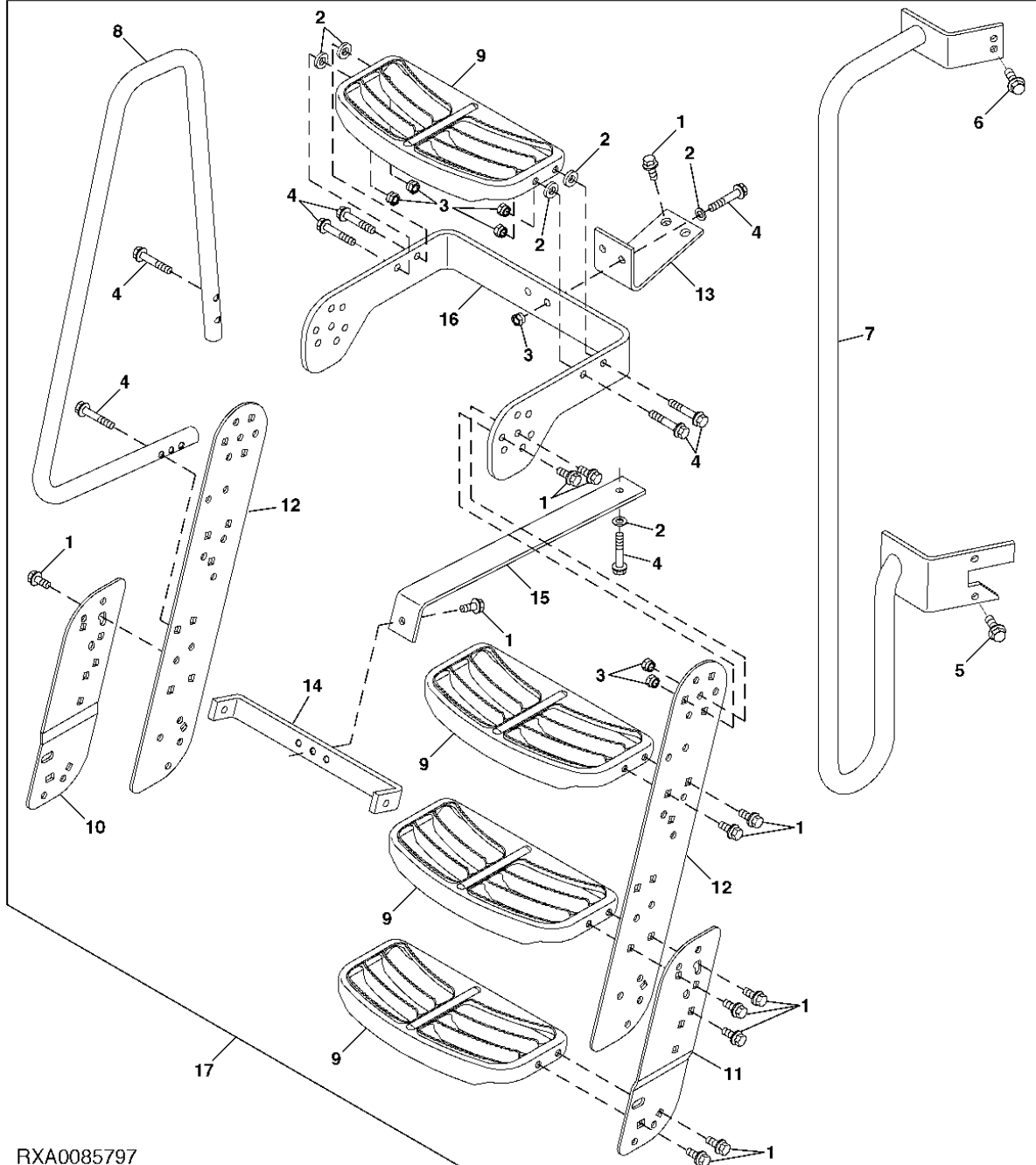
KEY	PART NO.	PART NAME	QTY.	TRACTOR SERIAL NO.	A L L	REMARKS
1	19M8011	CAP SCREW	1		X	M12 X 30, HS 10.9
2	RE62901	ISOLATOR	2		X	
3	.....	WASHER	1		X	
4	R128179	SLEEVE	2		X	
5	RE62910	ISOLATOR	2		X	
6	R87656	WASHER	2		X	
7	RE193264	ISOLATOR	1		X	
8	19M9132	CAP SCREW	1		X	M20 X 50, HS 10.9
9	24M7344	WASHER	1		X	22 X 37 X 3 MM
10	19M9146	CAP SCREW	2	-006938	X	M24 X 140, HS 10.9
	19M7893	CAP SCREW	2	006939-	X	
11	R187135	SPACER	2	-006938	X	
	R202279	SPACER	2	006939-	X	
12	19M9147	CAP SCREW	4		X	M24 X 170, HS 10.9
13	L113738	WASHER	4		X	
14	RE187025	ISOLATOR	1	-006938	X	(SUB RE200866, (2) R202279 AND (2) 19M7893)
	RE230329	SUPPORT	1	006939-	X	(SUB FOR RE200866)

# 91-18

OPERATOR'S STATION

RIGHT-HAND STEP  
MARCHEPIED DE DROITE  
RECHTE STUFE  
PREDELLINO DESTRO  
PELDANO DERECHO  
HOEGER FOTSTEG

RXA0085797 -UN-10JAN06



RXA0085797

# 91-29

OPERATOR'S STATION

KEY	PART NO.	PART NAME	QTY.	TRACTOR SERIAL NO.	A	REMARKS
					L	
1	R168014	COVER	1		X	R.H. FRONT
	R124330	COVER	1		X	L.H. FRONT
	R168015	COVER	1		X	(A) R.H. FRONT
	R193778	COVER	1		X	(USE WITH RE60389) R.H. FRONT
	R193779	COVER	1		X	(A) (USE WITH RE61600) R.H. FRONT
2	R120160	CLIP	4		X	
3	R110408	CAP	8		X	
4	37M7089	SCREW	1		X	M6 X 12
5	R127858	ACOUSTICAL UPHOLSTERY	1		X	(SUB R257816) R.H. REAR
6	R127857	ACOUSTICAL UPHOLSTERY	1		X	(SUB R257815) L.H. REAR
7	37M7089	SCREW	1		X	M6 X 12
8	RE229325	TACHOMETER	1		X	(SUB FOR RE208300 OR RE63458)
	RE60389	PERFORMANCE MONITOR	1		X	
	RE61600	PERFORMANCE MONITOR	1		X	(A)
	R107890	BULB	1		X	
9	19M8666	SCREW	2		X	M6 X 16
10	L57250	HANDLE	1		X	
11	R126174	LABEL	1		X	L.H. FRONT
12	R120124	LABEL	1		X	
13	R128728	SCREW	4	-015512	X	
14	L102023	HOOK	1		X	
15	RE213935	SUN VISOR	1	-015512	X	(SUB FOR RE43540)
16	RE52660	REAR VIEW MIRROR	1		X	(SUB AT186760)
	R109419	PLUG	1		X	
17	R54701	SPACER	1		X	
18	L75379	RETAINER	1		X	
19	12M7065	LOCK WASHER	1		X	8 MM
20	21M7438	SCREW	2	-015512	X	(A) M6 X 25
	R126355	SCREW	2	015513-	X	
21	14H785	NUT	1		X	5/16"
22	R55327	ISOLATOR	2		X	
23	N209692	LOCK WASHER	2		X	
24	19M7783	SCREW	2		X	
25	N208824	ANGLE	1		X	
26	N209673	STRAP	1		X	
27	N209602	BRACKET	1		X	
28	N209668	KNOB	3		X	
29	03M7233	BOLT	1		X	M10 X 70
30	03M7190	BOLT	1		X	M10 X 20
31	03M7191	BOLT	1		X	M10 X 25
32	T143534	SPACER	1		X	
33	R44302	TIE BAND	1		X	

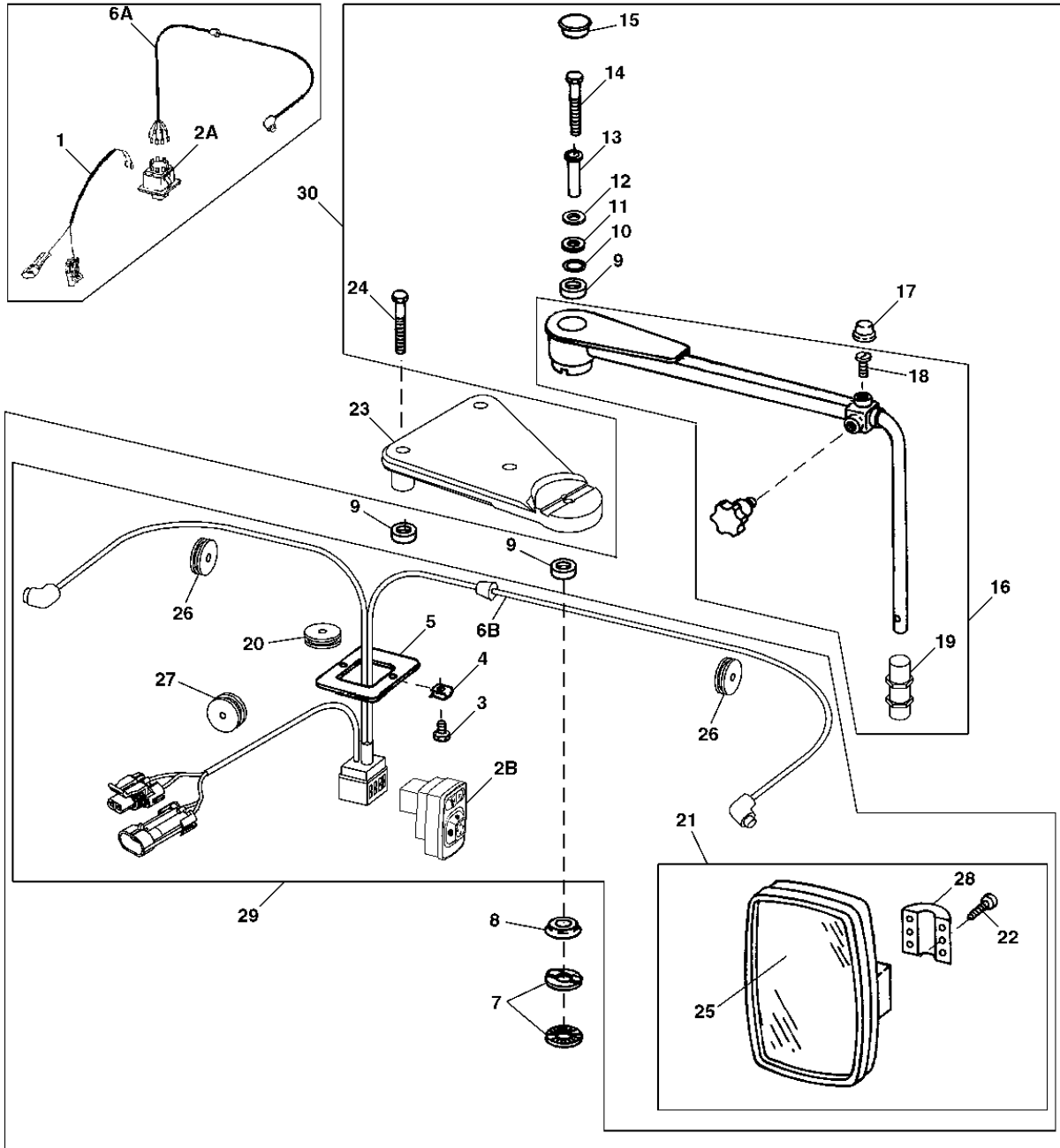
(A) EUROPEAN VERSION  
 VERSION EUROPEENNE  
 EUROPÄISCHE AUSFUEHRUNG  
 VERSIONE EUROPEA  
 VERSION EUROPEA  
 EUROPEISK VERSION

# 91-40

OPERATOR'S STATION

REMOTE POWER MIRROR  
RETROVISEUR TELECOMMANDE  
FERNGESTEUERTER ELEKTRISCHER SPIEGEL  
SPECCHIETTO MOTORIZZATO CON COMANDO A DISTANZA  
ESPAJO CON MOTOR A CONTROL REMOTO  
FJAERRKONTROLLERAD ELEKTRISK BACKSPEGEL

RXA0083398 -UN-16AUG05



RXA0083398

# 91-51

OPERATOR'S STATION

---

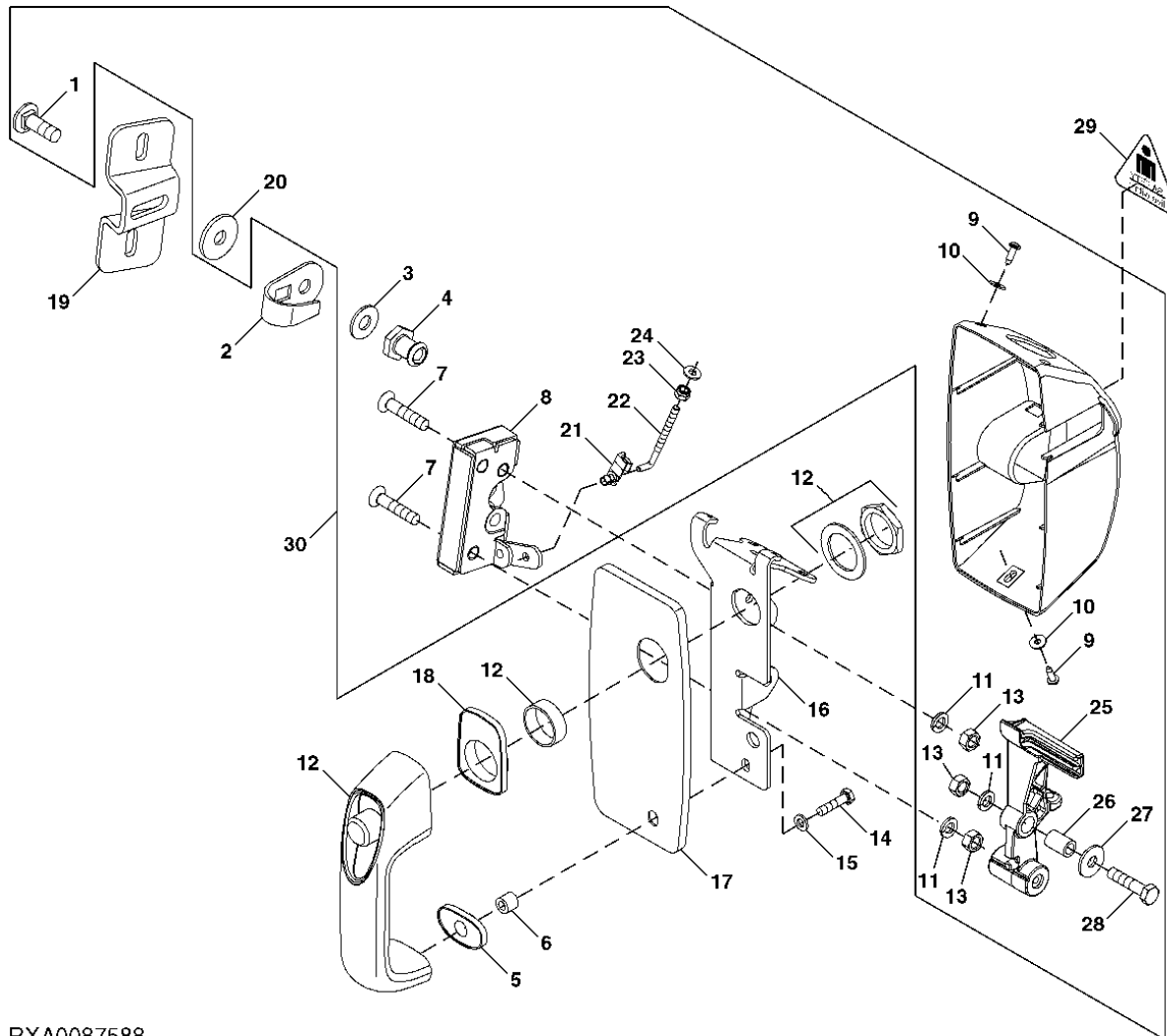
MEMORANDA  
MEMORANDA  
MEMORANDA  
MEMORANDA  
MEMORANDA  
MEMORANDA

# 91-62

OPERATOR'S STATION

DOOR LATCH (KIT) (XXXXXX- )  
LOQUET (JEU DE PIECES) (XXXXXX- )  
KLINKE (TEILESATZ) (XXXXXX- )  
ARRESTO (SERIE PEZZI) (XXXXXX- )  
PICAPORTE (JUEGO) (XXXXXX- )  
DORRVRED (SATS) (XXXXXX- )

RXA0087588 -UN-



RXA0087588

# 91-73

OPERATOR'S STATION

KEY	PART NO.	PART NAME	QTY.	CAB SERIAL NO.	A L L	REMARKS
1	L55210	GRIP	1	-004456	X	
2	AT127547	PIN FASTENER	9	-004456	X	
3	RE60644	BELLCRANK	1	-004456	X	
4	R121926	PIVOT	1	-004456	X	
5	R119604	BRACKET	1	-004456	X (C)	
6	37M7089	SCREW	4	-004456	X (C)	M6 X 12
7	37M7089	SCREW	18		X	M6 X 12
8	R167959	RISER	1		X	R.H.
	R167960	RISER	1		X	L.H.
9	24M7139	WASHER	3		X	6.400 X 18 X 1.600 MM
10	R192279	FENDER	1		X	R.H. LOW
	R171714	FENDER	1		X	L.H. LOW
11	R171711	BRACKET	1		X	R.H.
	R171712	BRACKET	1		X	L.H.
12	37M7079	SCREW	4		X	
13	19M7862	SCREW	3		X	M6 X 20
14	R120515	PLATE	1		X	
15	R124255	FOOTREST	1		X	
16	R122015	PLATE	1	-XXXXXX	X	
	R121162	SEAL	1	-004456	X (A)	
17	R108214	CLIP	1	-004456	X	
18	R169921	PLATE	1		X	
19	14M7272	NUT	3		X	M6
20	A52024	PLUG	1		X	
21	R190299	PLATE	1		X (B)	
	R190301	PLATE	1		X	
22	R112645	GROMMET	1		X (D)	
	R208233	PLUG	1		X	(W/O AUTOTRAC)
23	R167721	PLUG	1		X	
	R192564	GROMMET	1		X (B)	
24	R190300	PLATE	1		X (B)	

(A) W/TOW DISCONNECT  
W/REMORQUE, DISPOSITIF DE DESACCOUPLLEMENT  
W/ABSCHLEPP-AUSRUECKUNG  
W/DISINSERIMENTO DEL TRAINO  
W/DESCONEXION PARA REMOLCAR  
W/BOGSEERINGSURKOPPLING

(B) SEAT SUSPENSION W/ACTIVE SEAT  
W/SIEGE A SUSPENSION REGLABLE  
W/SITZ MIT EINSTELLBARER  
W/SEDILE CON SOSPENSIONE REGOLABILE  
W/SUSPENSION DE CON ASIENTO ACTIVA  
W/INSTAELLBART SAETE

(C) EUROPEAN VERSION  
VERSION EUROPEENE  
EUROPAEISCHE AUSFUEHRUNG  
VERSIONE EUROPEA  
VERSIONE EUROPEA  
EUROPEISK VERSION

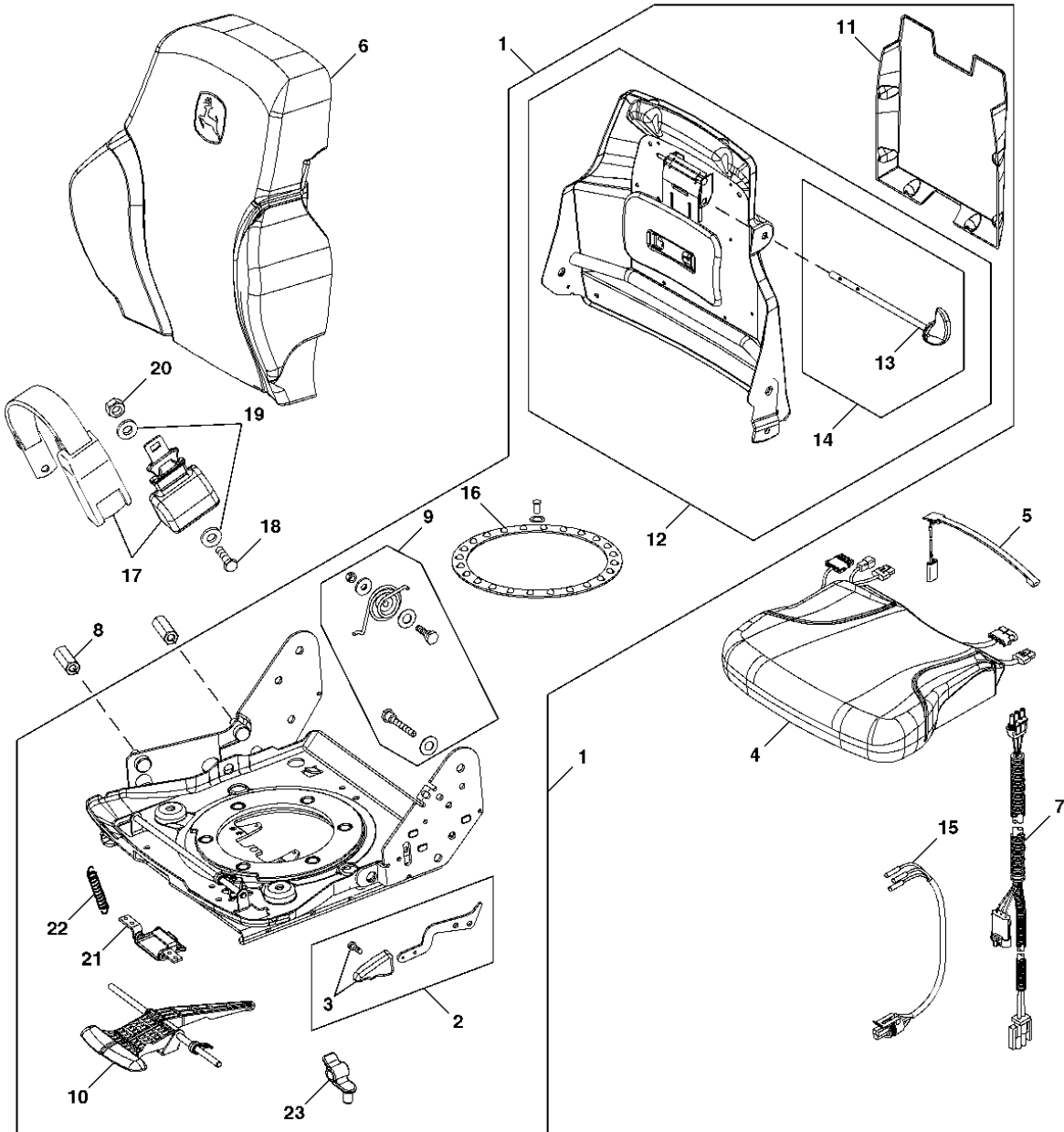
(D) WIRING HARNESS, AUTOTRAC  
FAISCEAU DE CABLES, AUTOTRAC  
KABELBAUM, AUTOTRAC  
CABLAGGIO, AUTOTRAC  
GRUPO DE CABLES, AUTOTRAC  
KABELHAERVA, AUTOTRAC

# 92-6

SEAT

SEAT KITS  
ENSEMBLE DE SIEGE  
SITZAUFLAGEN  
SERIE PEZZI DEL SEDILE  
JUEGO PARA ASIENTO  
SAETESSATS

RXA0080580 -UN-06MAY05



RXA0080580

# 92-17

SEAT

KEY	PART NO.	PART NAME	QTY.	TRACTOR SERIAL NO.	A L L	REMARKS
1	RE188733	SEAT KIT	1	-021525	X	(SUB RE225254)
	RE225254	SEAT SUSPENSION	1	021526-	X	(INCLUDES RE225255)
2	RE166328	SEAT KIT	1		X	(A)
3	RE188726	SEAT KIT	1		X	(B)
4	RE166332	SEAT KIT	1		X	
5	RE166341	SEAT KIT	1		X	(F) (SUB RE246423)
6	RE166340	SEAT KIT	1		X	(G)
7	RE166337	SEAT KIT	1		X	(H)
8	RE167426	SEAT KIT	1		X	(I)
9	RE188716	SEAT SHOCK ABSORBER KIT	1		X	(J)
10	RE206417	KIT	1	-021525	X	(K) (SUB FOR RE177507) (INCLUDES RE255699)
	RE225256	COMPRESSOR	1	021526-	X	(K) (USE WITH RE225254) (INCLUDES RE255699)
11	RE189405	SEAT KIT	1		X	(L)
12	RE166334	SEAT KIT	1		X	(M)
13	AT209020	KIT	1		X	(N)
14	RE182488	SEAT SHOCK ABSORBER KIT	1		X	
15	RE189402	SEAT KIT	1		X	(D)
16	RE166336	SEAT KIT	1		X	(E)
17	RE166335	SEAT BEARING ROLLER KIT	1		X	
18	RE166344	SEAT KIT	1		X	(O) (SUB RE246424)
19	R167427	SEAT SUSPENSION BOOT KIT	1		X	
20	RE65694	AIR SPRING SEAT KIT	1		X	(SUB RE250900)
21	RE202669	KIT	1		X	
22	RE188734	SEAT KIT	1	-021525	X	
	RE225255	WIRING HARNESS	1	021526-	X	(USE WITH RE225254)
23	RE225715	HOUSING	1		X	
24	RE224846	HOUSING	1		X	
25	RE255699	TEE FITTING	1		X	

(A) RETAINING SHAFT ARBRE DE RETINUE SICHERUNGSWELLE ALBERO DI RITEGNO EJE RETENEDOR AATERHAALLARAZEL	(B) SUSPENSION BUMPER BUTOIR DE SUSPENSION FEDERUNGSPUFFER RESPINGENTE SOSPENSIONE BLOQUE PARACHOQUES DE SUSPENSION FJAEDRINGSBUFFERT
(C) LEATHER W/HEATER CUIR W/CHAUFFAGE LEDER W/HEIZUNG PELLE W/RISCALDAMENTO CUERO W/CALENTADOR LAEDER W/VAERMEANLAEGGNING	(D) SHOCK CABLE CABLE D'AMORTISSEUR STOSSDAEMPFGUNGSSEIL CAVO AMMORTIZZATORE CABLE AMORTIGUADOR DAEMPARVAJER
(F) FORE-AFT ATTENUATOR BLOCK BLOC D'ATTENUATEUR SURL'AZE LONGITUDINAL VOR/ZURUECK-SITZDAEMPFERBLOCK BLOCCAGGIO DELL'ATTENUAZIONE IN SENSO LONGITUDINALE BLOQUE ATENUADOR LONGITUDINAL SITSDAEMPARBLOCK ILAENGDRIKTNINGEN	(E) ISOLATER ROLLER ROULEAU D'ISOLATION ISOLIERROLLE RULLO TAMPONEANTIVIBRAZIONI BARRA GUIA ISOLATORRULLE
(G) FORE-AFT ISOLATOR CONTROL COMMANDE D'ISOLATION LONGITUDINALE VOR/ZURUECK-ISOLIERSTEUERUNG COMANDO TAMPONE ANTIVIBRAZIONI LONGITUDINALE CONTROL AMORTIGUADOR LONGITUDINAL ISOLATORSTYRNING I LAENGDRIKTNINGEN	(H) LATERAL ATTENUATOR ATTENUATEUR LATERAL SEITENDAEMPFER COMPENSATORE LATERALE ATENUADOR DE MOVIMIEMIENTO DAEMPAR I SIDLED
(I) BOOT ATTACHING HARDWARE BOULONNERIE DE FIXATION DE SABOT BALGBEFESTIGUNGSTEILE VITERIA DI FISSAGGIO PROTEZIONE TORNILLERIA DE FIJACION DE FUNDA FAESTELEMMENT FOER BAELE	(J) FORE-AFT ATTENUATOR ATTENUATEUR LONGITUDINAL LAENGSDAEMPFER COMPENSATORE AVANTI-INDIETRO ATENUADOR DE MOVIMIENTO LONGITUDINAL DAEMPAR I LAENGDRIKTNING
(K) AIR COMPRESSOR COMPRESSEUR D'AIR LUFTKOMPRESSOR COMPRESSORE DELL'ARIA COMPRESOR DE AIRE LUFTKOMPRESSOR	(L) LATERAL ISOLATOR HOUSING LOGEMENT D'ISOLATEUR LATERAL GEHAEUSE DES SEITLICHEN SCHWINGUNGSDAEMPFRS ALLOGGIAMENTO SMORZATORE LATERALE CAJA DE AMORTIGUADOR LATERAL DAEMPARHUS FOER SVAENGNING I SIDLED
(M) SUSPENSION KNOB BOUTON DE SUSPENSION FEDERUNGSKNOPF MANOPOLA SOSPENSIONE PERILLA DE SUSPENSION FJAEDRINGSHANDTAG	(N) SLIDE PUCK DISQUE DE GLISSEMENT GLEITSTUECK PIASTRA SCORREVOLE CORREDERA GLIDSTYCKE
	(O) AIR LINE CONDUITE D'AIR LUFTLEITUNG TUBAZIONE ARIA LINEA NEUMATICA LUFTLEDNING

# 93-A02

AUTOTRAC

---

SECTIONAL INDEX  
INDEX DE SECTION  
GRUPPENINDEX  
INDICE DELLA SEZIONE  
INDICE DE SECCION  
GRUPPSFORTECKNING

CLICK HERE TO **DOWNLOAD** THE COMPLETE MANUAL

- Thank you very much for reading the preview of the manual.
- You can download the complete manual from: [www.heydownloads.com](http://www.heydownloads.com) by clicking the link below



- Please note: If there is no response to CLICKING the link, please download this PDF first and then click on it.

CLICK HERE TO **DOWNLOAD** THE COMPLETE MANUAL