

4700
SELF-PROPELLED SPRAYER



JOHN DEERE

PARTS CATALOG

4700
SELF-PROPELLED SPRAYER

PC2448 (JAN-06) English

John Deere Des Moines Works

North American Edition

Litho in U.S.A. (Revised)

COPYRIGHT © 2006

DEERE & COMPANY

Moline, Illinois

All rights reserved

CLICK HERE TO **DOWNLOAD** THE COMPLETE MANUAL

- Thank you very much for reading the preview of the manual.
- You can download the complete manual from: www.heydownloads.com by clicking the link below



- Please note: If there is no response to CLICKING the link, please download this PDF first and then click on it.

CLICK HERE TO **DOWNLOAD** THE COMPLETE MANUAL

ALPHABETICAL INDEX - CONTINUED

	PAGE		PAGE
CUSTOM PLUMBING, TEEJET (80/90' BOOM)		DIESEL FUEL SCAN TEST KIT	110-1
INNER, BREAKAWAY, OUTER WINGS	75-60	DIODE	40-18
CUSTOM PLUMBING, SPRAYMASTER (80/90' BOOM)		DIPSTICK, ENGINE OIL	20-42
CENTER WING	75-64	DISK BRAKE AND CALIPER	60-14
CYLINDER BLOCK		DISK BRAKE VALVE HOSES AND FITTINGS	50-6
PE6068TN053(ESN.059391-084494)	20-4	DISK, PARK BRAKE	60-16
CYLINDER BLOCK		DISPLACEMENT CONTROL, HYDROSTATIC PUMP	50-38
T06068TN050(ESN.704808-804312)	20-2	DISPLAY MONITOR, GREENSTAR	40-57
CYLINDER BLOCK, HYDROSTATIC PUMP	50-36	DOME LIGHT AND SWITCH	40-45
CYLINDER HEAD	20-20	DOME LIGHT SWITCH (DOOR)	40-46
CYLINDER HEAD GASKET	20-20	DOOR HANDLE, INNER	90-84
CYLINDER HEAD REMOVAL GASKET SET	20-24	DOOR HANDLE, LEFT HAND	90-84
CYLINDER, BELOW HORIZ. TILT		DOOR HINGE, LEFT HAND	90-84
(80/90' BOOM)(SERIAL NO. -XXXX)	75-3	DOOR, LEFT-HAND	90-84
CYLINDER, BOOM TILT (80/90' BOOM)		DOOR, LEFT-HAND	
(SERIAL NO. XXXX-)	75-4	(S/N -XXXX)	90-80
CYLINDER, FOLD (HARDI 60' BOOM)	85-18	DOOR, LEFT-HAND	
CYLINDER, FOLD HYDRAULIC		(S/N XXXX-)	90-82
(HARDI 60' BOOM)	85-2	DOOR, RIGHT-HAND OPENING	90-77
CYLINDER, FOLD, J.D. 60' BOOM	65-4	DRAIN PLUG, FUEL TANK	30-2
CYLINDER, FOLD, J.D. 60' BOOM	65-11	DRAIN PLUG, SOLUTION TANK	80-6
CYLINDER, INNER BOOM FOLD (80/90' BOOM)		DRAWER (SERIAL NO. -XXXX)	90-88
(SERIAL NO. -4258)	75-5	DRAWER (SERIAL NO. XXXX-)	90-89
CYLINDER, LEVELING HYDRAULIC		DRIVE MOTOR, FRONT	50-30
(HARDI 60' BOOM)	85-3	DRIVE MOTOR, REAR	50-32
CYLINDER, LEVELING, J.D. 60' BOOM	65-10	DRIVE MOTOR, WHEEL	50-10
CYLINDER, LIFT (HARDI 60' BOOM)	65-30	DRIVE SHAFT	50-3
CYLINDER, LIFT (HARDI 60' BOOM)	85-1	DRIVE SUPPORT, ACCESSORY (ENGINE)	20-54
CYLINDER, LIFT, LEVELING		DRIVE, BELT TENSIONER SUPPORT	20-40
(HARDI 60' BOOM)	85-6	DROP HOSES, FOAM MARKER (35 GALLON)	
CYLINDER, OUTER FOLD (80/90' BOOM)	75-7	(60' BOOM)	80-89
CYLINDER, OUTER WING (80/90' BOOM)	75-52	DROP HOSES, FOAM MARKER (35 GALLON)	
CYLINDER, ROLL BIAS (80/90' BOOM)	75-9	(80/90' BOOM)	80-88
CYLINDER, STANDARD TILT (80/90' BOOM)		DROP NOZZLES (HARDI 60' BOOM)	85-36
(SERIAL NO. -XXXX)	75-1	DROPS, HOSE, 80' AND 90' BOOM	75-72
CYLINDER, STANDARD TILT (80/90' BOOM)		DRYER, ON BOARD AIR	105-2
(SERIAL NO. XXXX-)	75-2	DUCT, AIR CIRCULATION	90-18
CYLINDER, STEERING	60-13	DUCT, CAB PRESSURIZER BLOWER	90-14
CYLINDER, TREAD ADJUST	70-30	DYE, MARKER FOAM	80-93
CYLINDER, TREAD ADJUST (FRONT)	100-14		
CYLINDER, TREAD ADJUST (REAR)	100-20	E	
CYLINDER, TREAD ADJUSTING HYDRAULIC		EDUCTOR BRACKET AND LEVER	80-14
(S/N -6000)	70-14	EDUCTOR FITTINGS AND HOSES	80-18
CYLINDER, TREAD ADJUSTING HYDRAULIC		EDUCTOR HOPPER AND BRACKET	80-16
(S/N 6001-)	70-16	ELBOW, VENTILATOR HOSE	20-28
CYLINDERS, CENTER FRAME (80/90' BOOM)	75-48	ELECTRIC STARTING AID	40-13
		ELECTRICAL CONNECTOR SERVICE KIT	40-68
D		ELECTRICAL TERMINALS AND CONNECTORS,	
DAMPER, CRANKSHAFT	20-12	WEATHERPACK	40-32
DANGER DECALS	110-2	ELEMENT, SOLUTION FILTER (-1999)	80-42
DECALS	110-6	ELEMENT, ENGINE OIL FILTER	
DECALS	110-8	T06068TN050, PE6068TN053	20-47
DECALS	110-10	ELEMENT, FUEL FILTER	
DECALS, CONSOLE AND ARMREST	110-4	PE6068TN053(ESN.059391-084494)	30-24
DECALS, SAFETY	110-2	ELEMENT, FUEL FILTER	
DEFROST LOUVERS	90-54	T06068TN050(ESN.704808-804312)	30-22
DIAPHRAGM, NOZZLE ASSEMBLY (80/90' BOOM)	75-65	END CAP, HYDROSTATIC PUMP	50-42
DIAPHRAGM, NOZZLE ASSEMBLY FOR 1" PIPE		END MOUNTING BRACKETS (80/90' BOOM)	75-46
(TEEJET)	75-66	END PLATE, VALVE (HARDI 60' BOOM)	85-4
DIAPHRAGM, NOZZLE ASSEMBLY FOR 1" PIPE		END PLATE, VALVE (J.D. 60' BOOM)	
(80/90' BOOM) (SPRAYMASTER)	75-67	(S/N -6000)	65-26
DIAPHRAGM, NOZZLE ASSEMBLY FOR 3/4" PIPE		END PLATE, VALVE (J.D. 60' BOOM)	
(TEEJET)	85-46	(S/N 6001-)	65-28
DIAPHRAGM, NOZZLE ASSEMBLY FOR 3/4" PIPE		END PLATE, VALVE (80/90' BOOM, BASIC)	
(60' BOOM) (SPRAYMASTER)	85-47	(S/N 6001-)	75-18

ALPHABETICAL INDEX - CONTINUED

	PAGE		PAGE
RATE CONTROL POTENTIOMETER (SERIAL NO. 4589-)	40-62	RING GEAR, FLYWHEEL	
REAR AXLE	100-20	T06068TN050(ESN.704808-804312)	20-13
REAR CAB LIGHTS	40-42	RINGS, PISTON	
REAR DRIVE MOTOR PARK BRAKE HOSES AND FITTINGS	50-8	PE6068TN053(ESN.059391-084494)	20-18
REAR DRIVE MOTORS	50-32	RINGS, PISTON	
REAR HYDROSTATIC PUMP MOUNTING	50-44	T06068TN050(ESN.704808-804312)	20-17
REAR SHIFT VALVE	50-34	RINSE HOSE, SOLUTION TANK	80-4
REAR SPEAKER KIT	40-56	RINSE LINE, EDUCATOR	80-18
REAR SUNSHADE KIT	90-91	RINSE TANK	80-10
REAR SUSPENSION	100-22	RINSE TANK QUICK FILL	80-96
REAR SUSPENSION SEALS AND BUSHINGS	100-24	RINSE TANK SUPPORTS AND SHIELDS	80-12
REAR UPHOLSTERY (CAB)	90-64	RINSE TANK, CLEAN WATER	80-92
REAR VIEW MIRROR, INSIDE	90-65	RISER, CAB FLOOR	90-24
REAR WASHER KIT	90-70	ROCKER ARM COVER	
REAR WINDOW	90-78	T06068TN050(ESN.704808-804312)	20-26
REAR WINDOW GROMMET	90-64	ROCKER ARM COVER GASKET	
REAR WIPER HOLE COVER	90-86	T06068TN050(ESN.704808-804312)	20-26
RECEIVER-DRYER, A/C	90-6	ROCKER ARM COVER GASKET PE6068TN053 (ENG.SER.NO.059391-084494)	20-27
RECIRCULATING AIR FILTER (S/N - 6051)	90-10	ROCKER ARM COVER PE6068TN053 (ENG.SER.NO.059391-084494)	20-27
RECTIFIER,ALTERNATOR	40-24	ROCKER ARM SHAFT	20-25
REFLECTORS	110-8	ROCKER ARMS	20-25
REFRIGERANT, COMPRESSOR, AIR CONDITIONER	90-1	ROCKER ASSEMBLY (80/90' BOOM)	75-56
REGULATOR, ALTERNATOR	40-24	ROCKER ASSEMBLY, CENTER FRAME (80/90' BOOM)	75-48
RELAY	40-18	ROD, CONNECTING	
RELAY MODULE, CAN ACTIVE	40-20	PE6068TN053(ESN.059391-084494)	20-18
RELAY, ELECTRIC STARTING AID	40-13	ROD, CONNECTING	
RELAY, FOAM MARKER CONTROL (20 GALLON)	80-52	T06068TN050(ESN.704808-804312)	20-17
RELAY, STARTING CIRCUIT	40-37	ROD, HOOD PROP	100-28
RELIEF VALVE, PRIORITY VALVE	70-29	ROD, HOSE GUIDE	100-2
REMANUFACTURED FUEL INJECTION NOZZLE	30-37	RODS, PUSH	20-25
REMOTE CABLE (HARDI 60' BOOM)	85-8	ROLL BIAS CYLINDER (80/90' BOOM)	75-9
REMOTE MIRROR	90-68	ROLL BIAS VALVE (S/N 6001-)	75-11
REMOTE SOLUTION PUMP SWITCH (-4000)	40-2	ROLL BIAS VALVE (80/90' BOOM) (S/N -6000)	75-10
REMOTE SOLUTION PUMP SWITCH (4001-)	40-4	ROOF HEADLINER	90-62
REMOTE THROTTLE AND LADDER HARNESS	40-34	ROOF LIGHTS WIRING HARNESS	40-38
REMOTE THROTTLE EXTENSION WIRING HARNESS	40-34	ROOF WIRING HARNESS, FRONT WORK LIGHT	40-39
REPAIR KIT, ELECTRONIC VALVE	80-32	ROOF, INNER	90-86
RESERVOIR, COOLANT	20-62	ROOF, OUTER	90-87
RESERVOIR, HYDRAULIC/HYDROSTATIC OIL	70-1	ROTOR ASSEMBLY, ALTERNATOR	40-24
RESERVOIR, WINDSHIELD WASHER	90-70	RUBBER MOUNTS, CAB	90-22
RESISTOR, HEATER AND A/C	90-12		
RESTRICTION SENSOR, AIR FILTER	30-10	S	
RESTRICTOR, AUXILIARY PUMP HYDRAULIC	70-8	S-LINK ASSEMBLY (80/90' BOOM)	75-54
RETRO VALVE, 5-SECTION BOOM VALVE TO	75-80	SAFETY DECALS	110-2
RETROFIT KIT (80/90' BOOM)	75-78	SAFETY SWITCH, NEUTRAL START	50-38
RETROFIT KIT (80/90' BOOM)	75-79	SCISSOR LINK, FRONT SUSPENSION	100-16
RETROFIT VALVE (80/90' BOOM)	75-82	SCISSOR LINK, REAR SUSPENSION	100-22
REVERSE HYDRO BOOST VALVE HOSES AND FITTINGS (S/N -6000)	50-48	SCREEN, GRILLE	100-30
REVERSE HYDRO BOOST VALVE HOSES AND FITTINGS (S/N 6001-)	50-50	SCREEN, SOLUTION FILTER (-1999)	80-42
RIDE KITS, SEAT	90-34	SCREEN, STRAINER ASSEMBLY	80-38
RIGHT HAND LIGHT SUPPORT (60 FT. BOOM)	100-10	SEAL KIT, A/C COMPRESSOR	90-2
RIGHT-HAND CONSOLE	90-52	SEAL KIT, FOLD CYLINDER, J.D. 60' BOOM	65-11
RIGHT-HAND LADDER AND SUPPORT	100-4	SEAL KIT, LEVELING CYLINDER, J.D. 60' BOOM	65-10
RIGHT-HAND OPENING DOOR	90-77	SEAL KITS, SPRAY VALVE	80-32
RIGHT-HAND PLATFORM AND HANDRAILS	100-12	SEAL, FRONT SUSPENSION	100-18
RIM, WHEEL (24.5:1 RATIO)	50-24	SEAL, FRONT, PE6068TN053 (ESN 059391-165673)	20-36
RIM, WHEEL (28.5:1 RATIO)	50-26	SEAL, FRONT, PE6068TN053 (ESN 165674-)	20-37
RING GEAR, FLYWHEEL PE6068TN053(ESN.059391-084494)	20-14		

20-3

ENGINE

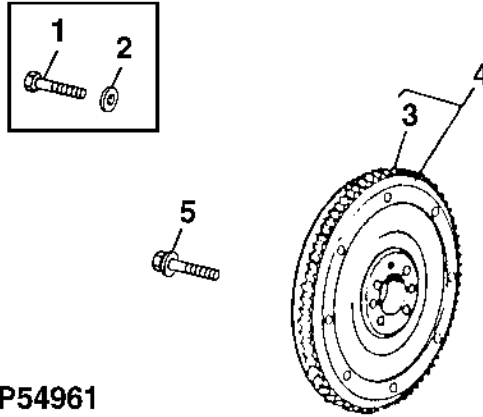
KEY	PART NO.	PART NAME	QTY.	ENGINE SERIAL NO.	REMARKS
1	R48685	DOWEL PIN	4		
2	T18891	PLUG	2		
3	CYLINDER BLOCK	1		(MARKED R119565) (SUB RE516152) (WITH ROTARY FUEL INJECTION PUMP)
4	R55233	PIPE PLUG	1		
5	R104592	PIPE PLUG	7		
6	R119874	BUSHING	1		CAMSHAFT
7	R132518	PLATE	1		
8	19M8999	SCREW	2		M8 X 25
9	R121043	FLOW CONTROL HYD. VALVE	1		ENGINE OIL BY-PASS
10	R111137	SPRING	1		
11	R26493	BUSHING	1		OIL PRESSURE REGULATING
12	R116466	BUSHING	1		
13	R26650	DOWEL PIN	2		
14	15H623	PIPE PLUG	1		3/8"
15	R115390	BUSHING	1		
16	R75892	O-RING	1		
17	R114241	BEARING CAP	6		MAIN BEARING
18	T20168	WASHER	14		
19	T23474	CAP SCREW	14		
20	R132186	BEARING CAP	1		MAIN THRUST BEARING
21	R131182	ORIFICE	6		
22	R39741	DRAIN PLUG	NA		
23	U13639	O-RING	2		37.465 X 2.997 MM (1.475" X 0.118")
24	T43514	GASKET	1		
25	15H624	PIPE PLUG	NA		1/2"
26	AT13740	DRAIN VALVE	1		
27	R123616	PLUG	1		
28	RE46685	PLUG	NA		

20-13

ENGINE

FLYWHEEL
T06068TN050
(ENG. SERIAL NO.704808-804312)

TP54961 -UN-10JAN97



TP54961

KEY	PART NO.	PART NAME	QTY.	ENGINE SERIAL NO.	REMARKS
1	BOLT	NA		(SEE DRIVE SHAFT-(4)19M7361 AND (4)A22724)
2	WASHER	NA		(SEE DRIVE SHAFT-(4)19M7361 AND (4)A22724)
3	R28811	RING GEAR	1		(129 TEETH)
4	RE500514	FLYWHEEL	1		(MARKED R122408) (SUB FOR RE58573)
5	BOLT	NA		(SEE DRIVE SHAFT-(4)19M7361 AND (4)A22724)

20-23

ENGINE

KEY	PART NO.	PART NAME	QTY.	ENGINE SERIAL NO.	REMARKS
1	R123543	GASKET	1		ROCKER ARM COVER
	RE520540	GASKET KIT	1		(HIGH TEMPERATURE)
2	R90658	GASKET	6		EXHAUST MANIFOLD
3	R502814	GASKET	1		(SUB FOR R121416 AND R135896) THERMOSTAT COVER
4	R123226	GASKET	2		WATER BY-PASS TUBE
5	R123345	GASKET	1		THERMOSTAT HOUSING
6	R123570	GASKET	1		TURBOCHARGER OIL OUTLET TUBE
7	R123575	GASKET	4		ROCKER ARM COVER HOLD DOWN STUD
8	R116516	GASKET	1		CYLINDER HEAD
9	R501373	GASKET	1		(SUB FOR R54638) THERMOSTAT COVER
10	R81275	GASKET	1		AIR INLET
11	R123572	GASKET	1		TURBOCHARGER TO EXHAUST MANIFOLD
12	R123354	GASKET	1		ENGINE OIL PAN
13	R501428	GASKET	1		COOLANT PASSAGE ADAPTER, (SUB FOR R123502)
14	R75892	O-RING	1		OIL PUMP TUBE CONNECTOR
15	R97185	O-RING	2		OIL PUMP OUTLET TUBE TO COVER
16	R61871	O-RING	1		OIL PUMP INTAKE TUBE
17	A4827R	WASHER	1		OIL PRESSURE REGULATOR PLUG
18	RE44574	SEAL	1		REAR OIL SEAL
19	RE59810	SEAL KIT	1		FRONT OIL SEAL, (SUB RE516340)
	RE516340	KIT	1		(MARKED RE505515 OR RE52346)
20	R123273	O-RING	1		FUEL TRANSFER PUMP
21	R123417	GASKET	1		WATER PUMP
22	R136516	GASKET	1		TIMING GEAR COVER, (SUB FOR R123421 AND R134534)
	R136515	GASKET	1		(SUB FOR R123425 AND R134533) TIMING GEAR COVER FOR AUXILIARY DRIVE (NOT ILLUSTRATED)
23	R123501	GASKET	1		OIL COOLER HOUSING
24	R502864	GASKET	1		REMOTE OIL FILTER ADAPTER, (SUB FOR R123504)
25	R123525	GASKET	1		(USE WITH R123475) OIL FILTER HEADER
26	R53108	GASKET	1		STARTING MOTOR
27	R72328	O-RING	4		REMOTE OIL FILTER TUBES
28	R89944	O-RING	1		WATER PUMP INLET
29	R61105	O-RING	2		CONNECTOR TUBE TO TIMING GEAR COVER
30	T122075	O-RING	2		OIL COOLER TO HOUSING
31	R136495	GASKET	2		
32	R500374	GASKET	1		(USE WITH R136544) OIL FILTER HEADER
33	RE501456	GASKET KIT	1		(SUB FOR RE66087) ENGINE MAJOR OVERHAUL

20-33

ENGINE

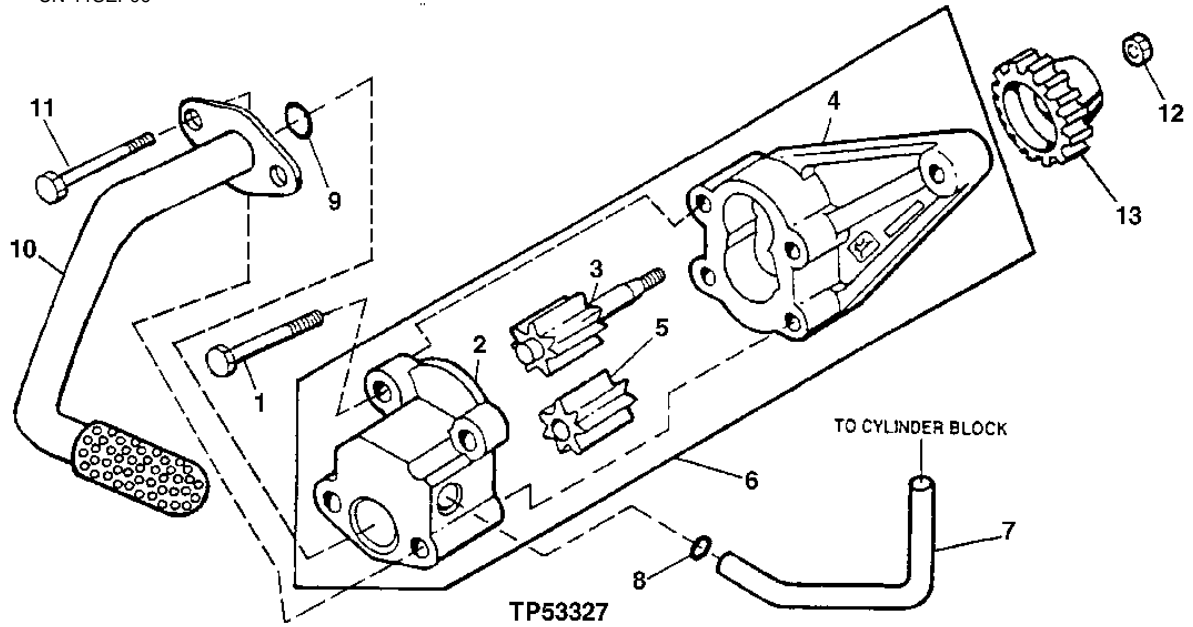
MEMORANDA

20-43

ENGINE

ENGINE OIL PUMP AND OIL PUMP INTAKE T06068TN050 AND PE6068TN053

TP53327 -UN-11SEP96



KEY	PART NO.	PART NAME	QTY.	ENGINE SERIAL NO.	REMARKS
1	19M8987	SCREW	2	M8 X 65	
2	COVER	1		
3	GEAR	1		
4	HOUSING	1		
5	GEAR	1		
6	RE504914	OIL PUMP	1		(MARKED R502687 OR R123179) (SUB FOR RE502269 OR RE70153)
7	R121376	TUBE	1		
	R75892	O-RING	1		(TO BLOCK)
8	R97185	O-RING	1		
9	R61871	O-RING	1		
10	RE71143	OIL PUMP INTAKE	1		(SUB FOR RE58862)
11	19M8986	SCREW	2	M8 X 100	
12	14M7066	NUT	1	M12	
13	R120638	GEAR	1	(30 TEETH)	

20-53

ENGINE

ENGINE OIL COOLER AND ADAPTER
PE6068TN053
(ENG.SERIAL NO.059391-084494)

KEY	PART NO.	PART NAME	QTY.	ENGINE SERIAL NO.	REMARKS
1	RE67231	SCREW	6		M6 X 16
2	RE59298	OIL COOLER	1		(7 PLATE)
3	R123501	GASKET	1		
4	19M7802	SCREW	2		M8 X 65
5	R123471	HOUSING	1		
6	RE46686	PLUG	1		
	RE56323	PLUG	1		(SAE)
7	RE46685	PLUG	1		
8	R501428	GASKET	1		
9	R61105	O-RING	2		37.694 X 3.531 MM
10	R115252	TUBE	1		(SUB R502811)
11A	R135177	ADAPTER FITTING	1		(SUB R502811)
11B	R502811	ADAPTER FITTING	1		
12	19M7970	SCREW	2		M8 X 100
13	RE67238	SCREW	1		M8 X 20
14	T122075	O-RING	2		
15	R504734	O-RING	1		

20-63

ENGINE

RADIATOR - CONTINUED

KEY	PART NO.	PART NAME	QTY.	SERIAL OR PROD. ID. NO.	REMARKS
1	RE63188	RADIATOR	1		
2	R95009	PAD	1		UPPER RADIATOR
3	AT13740	DRAIN VALVE	1		
4	R117761	ELBOW FITTING	1		
5	RE69195	SHROUD	1		
6	19M7775	SCREW	4		M6 X 16 (HS. HEAD MARKED 10.9)
7	M84972	NUT	1		M6
8	R118440	SHROUD	1		
9	RE154390	TANK	1		(SUB FOR RE39710) (SUB RE194691)
	RE194691	TANK	1		
10	14M7397	LOCK NUT	2		M6
11	24M7251	WASHER	3		6.400 X 18 X 1.600 MM
12	19M7862	SCREW	3		M6 X 20 (HS. HEAD MARKED 10.9)
13	RE43593	FILLER CAP	1		
14	AR77962	HOSE CLAMP	2		
15	HOSE	1		2050 MM (80") (MAKE FROM TY22412)
16	R108180	BOLT	2		
17	24H1111	WASHER	2		17/32" X 1-1/16" X 0.090"
18	R95011	HOSE	1		
19	R56101	CLIP	4		
20	R96229	RADIATOR HOSE	1		
21	AN205161	CLAMP	2		(SUB FOR TY22470) CHEMICAL RESISTANT CLAMP
22	TY22486	HOSE CLAMP	1		
23	RE69275	LINE	1		
24	TY22485	HOSE CLAMP	3		
25	R128002	RADIATOR HOSE	1		
26	R130571	RADIATOR HOSE	1		
27	N209445	BRACKET	1		(SUB FOR N208171)
28	19M7784	SCREW	1		M10 X 20 (HS. HEAD MARKED 10.9)
29	HOSE	1		450 MM (17-3/4") (MAKE FROM TY22418)
30	A27124	SPACER	1		
31	N205415	CLAMP	1		LOWER RADIATOR
32	19M8320	SCREW	1		M10 X 45 (HS. HEAD MARKED 10.9)
33	R111662	TUBE	1		
34	RE63194	FILLER CAP	1		
35	RE65857	TANK	1		
36	37M7090	SCREW	4		M6 X 16
37	AH78125	CLIP	1		
38	MOLDING	2		76 MM (3") (MAKE FROM (1) N190884 6" MOLDING)
39	R95806	PAD	1		

30-5

FUEL SYSTEM

FUEL TANK SUPPORTS - CONTINUED

KEY	PART NO.	PART NAME	QTY.	SERIAL NO.	REMARKS
1A	N204452	BRACKET	1	-4529	
1B	AN204703	BRACKET	1	4530-	
2	N205637	CHANNEL	1		
3	N204946	BRACKET	1		
4	N205325	BRACKET	1		
5	19M7785	SCREW	AR		M10 X 25 (HS, HEAD MARKED 10.9)
6	E63526	NUT	AR		M10
7	N205944	REINFORCEMENT	1	-4529	
8	HOSE GUARD	2	-4529	1105 MM (43.5") (CUT FROM T61861)
9	N205023	BRACKET	1		AGITATION VALVE
10	37M7086	SCREW	8		M10 X 20
11	19M7897	SCREW	1		M8 X 35 (HS, HEAD MARKED 10.9) STORAGE CABINET DOOR
12	E63525	NUT	1		M8
13	24H1292	WASHER	3		11/32" X 3/4" X 0.120"
14	AH78125	CLIP	1		

30-15

FUEL SYSTEM

MEMORANDA

30-25

FUEL SYSTEM

**FUEL FILTER AND FUEL LINES(DENSO)
PE6068TN053
(ENGINE SERIAL NO. 059391-084494)**

KEY	PART NO.	PART NAME	QTY.	ENGINE SERIAL NO.	REMARKS
1	19M7868	SCREW	1		M8 X 30
2	19M7752	CAP SCREW	4		M4 X 20
3	R136082	CLAMP	2		
4	R136079	BRACKET	1		
5	RE501183	FUEL LINE	1		
6	R504730	BRACKET	1		(SUB FOR R136081)
7	RE501182	FUEL LINE	1		
8	19M7783	SCREW	1		M10 X 16
9	R113565	SEAL	1		
10	R123566	BRACKET	1		
11	RE70358	KIT	1		
12	19M7784	SCREW	4		M10 X 20
13	RE46686	PLUG	4		(METRIC)
	RE56323	PLUG	AR		(SAE)
14	51M7040	O-RING	4		9.300 X 2.200 MM
15	RE51649	SEAL KIT	1		
16	RE516553	KIT	1		(SUB FOR RE50752)
17	RE62419	FUEL FILTER	1		(INCLUDES DRAIN VALVE)
18	RE60854	DRAIN VALVE	1		
19	RE60030	FITTING	2		
20	FILTER HEAD	1		(SUB RE70358)
21	R113562	RING	1		
22	R113563	DRAIN PLUG	1		
23	R67092	SEALING WASHER	4		
24	RE516513	KIT	1		(WITH HAND PRIMER) (CONTAINS 10 O-RINGS)
	RE516512	KIT	1		(WITHOUT HAND PRIMER) (CONTAINS 10 O-RINGS)
25	RE51650	SEDIMENT BOWL	1		

30-35

FUEL SYSTEM

**FUEL INJECTION PUMP LEVERS AND TRANSFER PUMP (DENSO)
PE6068TN053
(ENGINE SERIAL NO.059391-084494)**

KEY	PART NO.	PART NAME	QTY.	SERIAL NO.	REMARKS
1	51M7041	O-RING	3		11.300 X 2.200 MM
2	R64995	RETAINER	1		
3	R135163	LEVER	1		SHUT-OFF
4	R64989	LOCK NUT	1		
5	LEVER	1		THROTTLE
6	R65437	CAP SCREW	1		
7	R64967	CONTROL LEVER	1		
8	R64969	SCREW	1		
9	R64854	WASHER	1		
10	RE500376	HAND PRIMER	1		
11	RE500375	FUEL PUMP	1		TRANSFER PUMP
12	R500220	GASKET	1		
13	RE500374	CONTROL VALVE	1		
14	R64857	WASHER	1		
15	RE60031	FITTING	1		
16	51M7039	O-RING	2		
17	R64968	SHAFT KEY	1		
18	R73885	SCREW	1		
19	R77536	JAW	1		CLAMPING
20	R78773	PACKING	1		
21	R73864	O-RING	1		
22	R73821	O-RING	6		
23	R64997	O-RING	1		
24	RE60031	FITTING	2		
25	R64861	WASHER	1		
26	R502362	SEAL	1		
27	R64927	O-RING	1		
28	SPRING	2		
29	VALVE	2		
30	SPINDLE	1		
31	PLUNGER	1		
32	SPRING	1		
33	PIPE PLUG	1		
34	HOUSING	1		
35	ROLLER	1		
36	SNAP RING	1		

30-45

FUEL SYSTEM

THROTTLE ACTUATOR - CONTINUED (SERIAL NO. 6001-)

KEY	PART NO.	PART NAME	QTY.	SERIAL NO.	REMARKS
1	AN204998	ACTUATOR	1		ELECTRIC THROTTLE, INCLUDES N209311
2	N209311	ANGLE	1		ACTUATOR
3	N209259	BRACKET	1		THROTTLE ACTUATOR
4	19M7775	SCREW	5		M6 X 16
5	T121251	PIN	1		
6	19M7785	SCREW	2		M10 X 25
7	E63526	NUT	2		M10
8	E63524	NUT	4		M6
9	14H860	NUT	4		1/4"
10	N209266	CLEVIS	1		THROTTLE ACTUATOR
11	AN204999	PUSH PULL CABLE	1		CABLE ASSEMBLY, THROTTLE
12	N209257	ANGLE	1		THROTTLE CABLE
13	19M7863	SCREW	2		M6 X 25
14	N209293	TURNBUCKLE	1		THROTTLE
15	24H1731	WASHER	5		17/64" X 5/8" X 0.035"
16	T29713	COMPRESSION SPRING	2		
17	N209272	PIN FASTENER	1		ACTUATOR LINKAGE
18	19H3749	CAP SCREW	1		1/4" X 4-1/2"
19	N209265	LEVER	1		THROTTLE CABLE
20	11M7080	COTTER PIN	2		2.500 X 16 MM

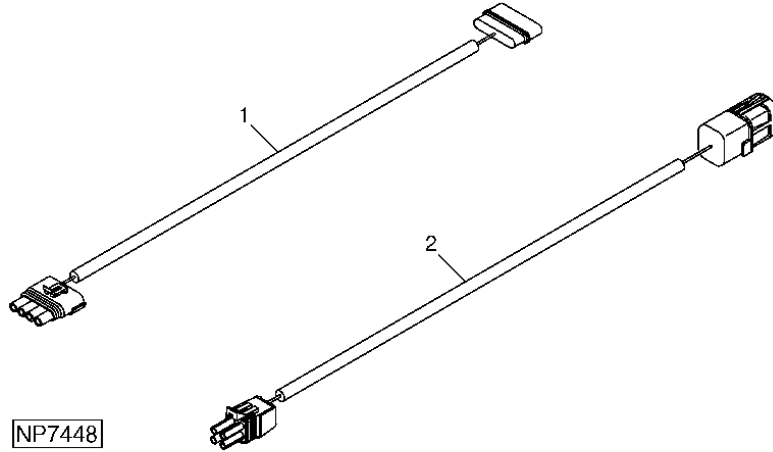
40-9

ELECTRICAL SYSTEM

TREAD ADJUST WIRING HARNESS

NP7448

-UN-18NOV96



KEY	PART NO.	PART NAME	QTY.	SERIAL NO.	REMARKS
1	AN203175	WIRING HARNESS	1		LH REAR TREAD ADJUST
	AN203177	WIRING HARNESS	1		LH FRONT TREAD ADJUST
2	AN203174	WIRING HARNESS	1		RH REAR TREAD ADJUST
	AN203176	WIRING HARNESS	1		RH FRONT TREAD ADJUST

40-19

ELECTRICAL SYSTEM

LOAD CENTER - CONTINUED

KEY	PART NO.	PART NAME	QTY.	SERIAL NO.	REMARKS
1	57M7121	FUSE	9		10 AMP
	57M7120	FUSE	7		20 AMP
	57M7124	FUSE	6		3 AMP
	57M7125	FUSE	4		5 AMP
	57M7146	FUSE	12		30 AMP
	99M7065	FUSE	6		15 AMP
2	RE43737	ELEC. CONNECTOR ACCESSORY	4		
3	RE49726	SUPPORT	8		
4	37M7089	SCREW	8		
5	24H1325	WASHER	2		15/32" X 59/64" X 0.065"
6	RE49724	ELEC. CONNECTOR ACCESSORY	8		
7	RE68327	RELAY	29		40 AMP
8	RE39967	DIODE	1		
9	N204678	LABEL	1		
10	AN204862	WIRING HARNESS	1		(SUB FOR AN202625 AND AN204115 AND AN204548)

40-29

ELECTRICAL SYSTEM

STARTING MOTOR AND SOLENOID COVER
T06068TN050
(ENGINE SERIAL NO.704808-709445)

KEY	PART NO.	PART NAME	QTY.	ENGINE SERIAL NO.	REMARKS
1	RE65191	STARTER MOTOR	1		(MARKED RE59596) 12-VOLT JOHN DEERE
2	R100508	SCREW	4		
3	COVER	1		
4	T146102	LABEL	1		
5	R76477	TIE BAND	1		
6	TY22471	CLAMP	1		
7	RE45329	COVER	1		
8	RE42777	SWITCH	1		
9	R100513	COVER	1		
10	R100509	BUSHING	1		
11	R100511	O-RING	1		
12	R124581	DUST SHIELD	1		
13	RE39249	CLUTCH	1		
14	R50902	SNAP RING	1		
15	RE39251	NEEDLE BEARING	2		
16	R100512	O-RING	1		
17	RE55087	HOLDER	1		
18	RE39247	BRUSH	4		

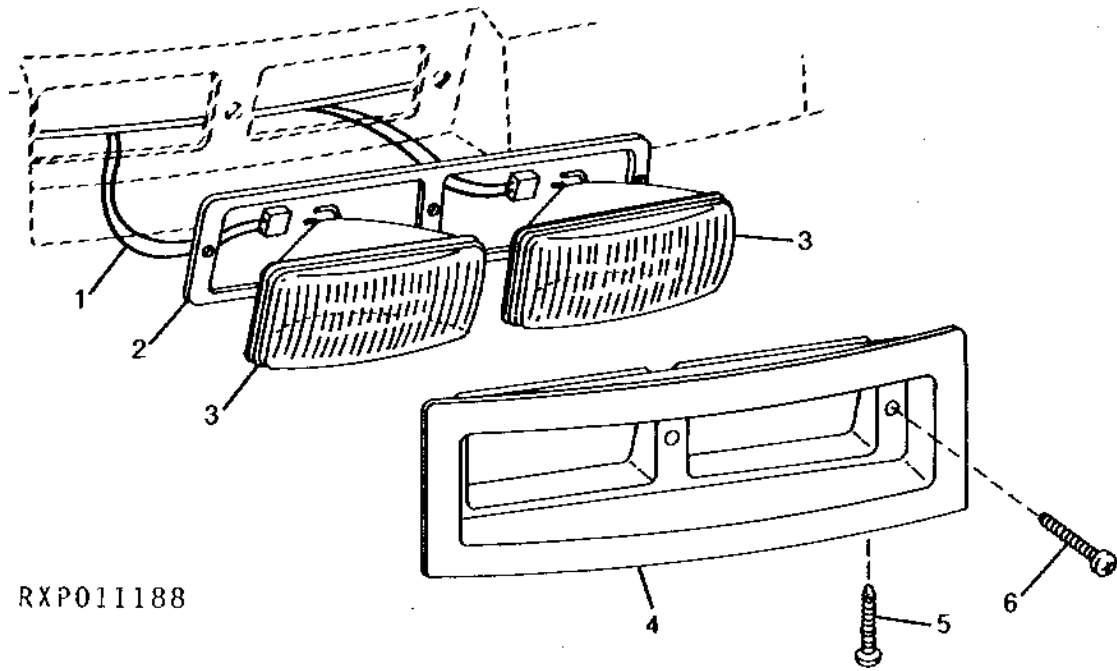
40-39

ELECTRICAL SYSTEM

RXP011188

-UN-01JAN94

WORKING LAMPS (ROOF) (FRONT)



KEY	PART NO.	PART NAME	QTY.	SERIAL NO.	REMARKS
1	RE64629	WIRING HARNESS	1		
2	R107478	RETAINER	1		
3	RE37450	LAMP	2		(GE H4360)
4	R107477	HOUSING	1		
5	21M7292	SCREW	4		M6 X 16
6	37H203	SCREW	3		

40-49

ELECTRICAL SYSTEM

MEMORANDA

4700 SELF-PROPELLED SPRAYER PC2448 (08-NOV-02) THIS PARTS LISTING IS CONTINUED

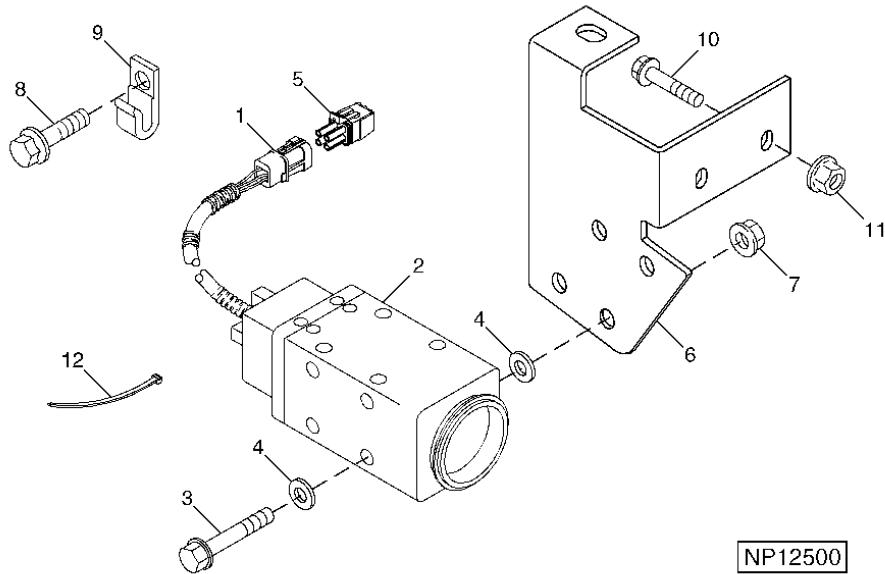
40-49
PN=189

40-59

ELECTRICAL SYSTEM

RADAR SENSOR AND BRACKET

NP12500 -UN-22AUG02



KEY	PART NO.	PART NAME	QTY.	SERIAL NO.	REMARKS
1	RE42193 R78058 57M7292	ELECTRICAL CONNECTOR ASSY ELEC. CONNECTOR TERMINAL ELEC. CONNECTOR SEAL	1 1 1		(PKG. OF 40)
2	AN206154	RADAR SENSOR	1		WHEN ORDERING FOR MACHINES PRIOR TO S/N 2400, BRACKET AND HARDWARE ALSO REQUIRED
3	19H2337	CAP SCREW	4		1/4" X 4"
4	24H1287	WASHER	8		9/32" X 5/8" X 0.065"
5	R78064	ELEC. CONNECTOR CAVITY PLUG	4		
6	N303040	BRACKET	1		
7	K40001	LOCK NUT	4		
8	19M7787	SCREW	1		M12 X 20
9	E12373	CLIP	1		
10	19M8162	SCREW	2		M10 X 40
11	14M7400	LOCK NUT	2		M10
12	R44302	TIE BAND	2		
..	BN202392	COMPLETE GOODS/SHIP. BUNDLE	1		RADAR

40-69

ELECTRICAL SYSTEM

ELECTRICAL CONNECTOR SERVICE KIT - CONTINUED

KEY	PART NO.	PART NAME	QTY.	SERIAL NO.	REMARKS
1	T28583	ELEC. CONNECTOR HOUSING	1		PKG. OF 3
2	M43835	CONNECTOR	1		PKG. OF 3
3	R77476	ELECTRICAL CONNECTOR ASSY	1		PKG. OF 2
4	R77477	ELEC. CONNECTOR HOUSING	1		PKG. OF 2
5	R77479	ELECTRICAL CONNECTOR ASSY	1		PKG. OF 2
6	R77480	ELECTRICAL CONNECTOR ASSY	1		PKG. OF 2
7	R77481	ELECTRICAL CONNECTOR ASSY	1		PKG. OF 2
8	R77482	ELECTRICAL CONNECTOR ASSY	1		
9	H104855	ELECTRICAL CONNECTOR ASSY	1		
10	U46662	ELEC. CONNECTOR TERMINAL	1		PKG. OF 25 (14 OR 16 GA. WIRE)
11	R65595	ELEC. CONNECTOR TERMINAL	1		PKG. OF 15 (10 OR 12 GA. WIRE)
12	T28585	ELECTRICAL CONNECTOR ASSY	1		PKG. OF 3
13	R77475	ELECTRICAL CONNECTOR ASSY	1		PKG. OF 3
14	T28586	ELECTRICAL CONNECTOR ASSY	1		PKG. OF 2
15	R77478	ELECTRICAL CONNECTOR ASSY	1		PKG. OF 2
16	R77483	ELECTRICAL CONNECTOR ASSY	1		
17	R48887	ELECTRICAL CONNECTOR ASSY	1		
18	T34067	ELEC. CONNECTOR TERMINAL	1		PKG. OF 25 (14 OR 16 GA. WIRE)
19	R77484	ELEC. CONNECTOR TERMINAL	1		PKG. OF 15 (10 OR 12 GA. WIRE)
20	U46370	ELECTRICAL CONNECTOR ASSY	1		PKG. OF 3
21	R77485	ELEC. CONNECTOR TERMINAL	1		PKG. OF 10 (14 OR 16 GA. WIRE)
22	R77486	ELEC. CONNECTOR TERMINAL	1		PKG. OF 25
23	R77487	ELECTRICAL CONNECTOR ASSY	1		PKG. OF 3
24	R66321	WIRING LEAD	1		15M (50 FT.) 10 GA.
	R66320	WIRING LEAD	1		30.5M (100 FT.) 12 GA.
	R77501	WIRE	1		30.5M (100 FT.) 14 GA.
	TY16078	WIRE	1		30.5M (100 FT.) 16 GA. (SUB FOR R77500)
	TY16086	WIRE	1		30.5M (100 FT.) 18 GA. (SUB FOR R77499)
	R77498	WIRE	1		30.5M (100 FT.) 20 GA.
25	R77462	ELEC. CONNECTOR TERMINAL	1		PKG. OF 40 (20-22 OR 24 GA. WIRE)
26	R77464	ELEC. CONNECTOR TERMINAL	1		PKG. OF 50 (14-16 OR 18 GA. WIRE)
27	R77456	ELEC. CONNECTOR TERMINAL	1		37 WAY
28	R77458	ELEC.CONNECT LOCKING DEVICE	1		PKG. OF 2 (SIZE 23)
	R77459	ELEC.CONNECT LOCKING DEVICE	1		PKG. OF 2 (SIZE 17)
	R77460	ELEC.CONNECT LOCKING DEVICE	1		PKG. OF 2 (SIZE 13)
	R77461	ELEC.CONNECT LOCKING DEVICE	1		PKG. OF 2 (SIZE 11)
29	R77457	ELEC. CONNECTOR TERMINAL	1		37 WAY
30	R77463	ELEC. CONNECTOR TERMINAL	1		PKG. OF 40 (20-22 OR 24 GA. WIRE)
31	R77465	ELEC. CONNECTOR TERMINAL	1		PKG. OF 50 (14-16 OR 18 GA. WIRE)
32	R77468	ELEC. CONNECTOR TERMINAL	1		PKG. OF 5
33	R77466	ELECTRICAL CONNECTOR ASSY	1		PKG. OF 2
34	R77467	ELECTRICAL CONNECTOR ASSY	1		PKG. OF 2
35	R77469	ELEC. CONNECTOR TERMINAL	1		PKG. OF 5
36	RE11156	ELEC. CONNECTOR TERMINAL	1		PKG. OF 3 (MALE)
37	RE11157	ELEC. CONNECTOR TERMINAL	1		PKG. OF 3 (FEMALE)
38	R70222	ELEC. CONNECTOR TERMINAL	1		PKG. OF 20 (14-16 OR 18 GA. WIRE)
39	R70221	ELEC. CONNECTOR TERMINAL	1		PKG. OF 25
40	R70219	PLUG	1		PKG. OF (2) (10 WAY)
	R70217	PLUG	1		PKG. OF (2) (7 WAY)
	R70215	PLUG	1		PKG. OF (2) (4 WAY)
	R70213	ELEC. CONNECTOR HOUSING	1		PKG. OF (2) (3 WAY)
	R70211	ELECTRICAL CONNECTOR ASSY	1		PKG. OF (2) (2 WAY)
41	R70218	ELEC. CONNECTOR TERMINAL	1		PKG. OF (2) (10 WAY)
	R70216	ELEC. CONNECTOR TERMINAL	1		PKG. OF (2) (7 WAY)
	R70214	ELEC. CONNECTOR TERMINAL	1		PKG. OF (2) (4 WAY)
	R70212	ELEC. CONNECTOR TERMINAL	1		PKG. OF (2) (3 WAY)
	R70210	ELEC. CONNECTOR TERMINAL	1		PKG. OF (2) (2 WAY)

NOTE: THIS PARTS LISTING IS CONTINUED ON NEXT PAGE.

THIS PARTS LISTING IS CONTINUED

50-7

POWER TRAIN

DISK BRAKE VALVE HOSES AND FITTINGS - CONTINUED (FRONT DRIVE MOTORS)

KEY	PART NO.	PART NAME	QTY.	SERIAL NO.	REMARKS
1	R26448	O-RING	3		
2	38H1016	TEE FITTING	1		
3	T77613	O-RING	7		
4	AN203616	HYDRAULIC HOSE	1		11/16" X 1 171 MM (46") X 11/16"
5	38H1023	TEE FITTING	1		
6	AN202514	VALVE	1		ASSEMBLY
7	38H1160	ADAPTER FITTING	1		
8	AN203674	HYDRAULIC HOSE	1		11/16" X 3 181 MM (125-1/4") X 11/16"
9	N206050	ORIFICE	1		
10	38H1205	TEE FITTING	1		
11	T26955	CLAMP	6		
12	AN203691	HYDRAULIC HOSE	1		3/8" X 3 613 MM (142-1/4") X 11/16"
13	AN203694	HYDRAULIC HOSE	1		11/16" X 1 715 MM (67-1/2") X 11/16"
14	38H1435	ELBOW FITTING	1		
15	R28782	O-RING	1		
16	AN203661	ELBOW FITTING	1		
17	R29936	O-RING	1		
18	AN203705	HYDRAULIC HOSE	1		3/8" X 3 473 MM (136-3/4") X 11/16"

50-17

POWER TRAIN

POWER WHEEL NO. 7 - CONTINUED
24.5:1 RATIO
(SERIAL NO. 110 -1999)

KEY	PART NO.	PART NAME	QTY.	SERIAL NO.	REMARKS
1	N205847	SPLINED COUPLING	1		
2	N207065	SHAFT	1		
3	N208152	SPINDLE	1		
4	N204941	SEAL	1		
5	N207064	SEAL	1		
6	BEARING CONE	2	(A)	
7	BEARING CUP	2	(A)	
8	AN203983	BEARING KIT	1		(SUB JD7292, JD7378, JD7416, JD8939 AND PM37465) (INCLUDES PARTS MARKED (A))
9	N207063	WHEEL BOLT	9	-XXXX	(SUB N208772 (WHEEL BOLT), N208771 (SPACER) AND 14H1096 (NUT))
	N208772	WHEEL BOLT	9	XXXX-	
10	19H2960	CAP SCREW	16		3/8" X 1-3/4" (HS, SAE 8)
11	W35608	WASHER	16		
12	N208154	HUB	1		
13	N207066	THRUST WASHER	1		
14	N207067	LOCK WASHER	1	(A)	
15	N207068	LOCK NUT	1		
16	N208150	WHEEL SEAL O-RING	1		PKG. OF 10
17	W35609	WASHER	2		
18	W35610	SPRING	1		
19	N208153	RING GEAR	1		
20	AN203981	PLANET PINION CARRIER	1		SECONDARY
21	19H2020	CAP SCREW	2		5/16" X 1/2"
22	19H1849	CAP SCREW	12		5/16" X 1-1/4"
23	E65277	COVER	1		
24	W35611	PLUG	1		MAGNETIC
25	N207872	COVER	1		
26	E65274	THRUST WASHER	1		
27	E82388	O-RING	1	(A)	
28	E82383	PLUNGER	1		
29	N207062	GEAR	1		PRIMARY SUN. (19 TEETH)
30	E65279	SNAP RING	1		
31	AN203982	PLANET PINION CARRIER	1		PRIMARY
32	AN205405	HUB	1		POWER WHEEL, NO. 7, 24.53 RATIO, (SUB FOR AN203620 AND AN203940)

NOTE: FRONT AND REAR ON ALL MACHINES WITH SERIAL NO. 110 -1999 NOT CONVERTED TO 28.5:1 RATIO

50-27

POWER TRAIN

WHEELS AND HUBS - CONTINUED
28.5:1 RATIO
(SERIAL NO. 110 -1999) MACHINES CONVERTED WITH HIGH TORQUE
GEAR REDUCTION KIT
(SERIAL NO. 2000-XXXX)

KEY	PART NO.	PART NAME	QTY.	SERIAL NO.	REMARKS
1	19H1831	CAP SCREW	2		1/2" X 2", FRONT MOTORS
	T27644	SCREW	2		REAR MOTORS
2	24H1111	WASHER	2		17/32" X 1-1/16" X 0.090"
3	AN204194	HYDRAULIC MOTOR	1		LH FRONT (W/HALL EFFECT RING) REMANUFACTURED
	AN204195	HYDRAULIC MOTOR	1		RH FRONT, REMANUFACTURED
4	T42302	O-RING	1		FRONT
	T42302	O-RING	2		REAR
5	AN203672	BRAKE	1		REAR
6	14M7291	FLANGE NUT	8		M16
7	N204145	BRACKET	1		
8	AN204877	HUB	1		POWER WHEEL, NO. 7, 28.5 RATIO
9	19M7794	SCREW	8		M16 X 50
10	AN202523	RIM	1		STD (385/85R34 TIRES)
	AN203028	WHEEL	1		NARROW (12.4 X 38 14PR TIRES) (SUB AN207100)
	AN207100	WHEEL	1		
	AN204751	RIM	2		(23.1 X DW20)
11	14H1096	NUT	9		5/8"
12	N208772	WHEEL BOLT	9		(SUB FOR N206897 AND N207063)
13	AN203251	WHEEL	1		MAIN RING, FLOTATION RIM
14	N205218	WHEEL RING	1		SIDE FLANGE
15	N205219	WHEEL SEAL O-RING	1		
16	N205217	WHEEL RING	1		OUTER
17	AN202522	WHEEL	1		FLOTATION (48 X 25-20 TIRES)
18	AT25226	TIRE VALVE STEM	1		
19	N203224	WASHER	9	-278	(A)
	N206894	WASHER	9	-278	(B)
	N203224	WASHER	9	279-4477	(A) (B)
	N209100	BUSHING	9	4478-XXXX	(A)
	N208707	WASHER	9	4478-XXXX	(B)
	N208771	SPACER	9	XXXX-	(A) (B)
..	N197469	LABEL	2	-4477	TORQUE 200 LB. FT.
..	N209101	LABEL	2	4478-	TORQUE 180 LB. FT
..	N206165	LABEL	2		TIRE PRESSURE

- (A) USE WITH STANDARD WHEEL
 (B) USE WITH AN203028 NARROW WHEEL ONLY

50-37

POWER TRAIN

HYDROSTATIC PUMP HOUSING, SWASHPLATE AND CYLINDER BLOCK - CONTINUED

KEY	PART NO.	PART NAME	QTY.	SERIAL NO.	REMARKS
1	HOUSING	1		ORDER COMPLETE PUMP
2	H63245	PIN	2		
3	T155936	PIN	2		
4	R151062	BEARING	1		
5	RE159656	PIN	1		(SUB FOR AT173179)
6	R151065	LINK	1		
7	AT214873	GUIDE	1		
8	SWASH PLATE	1		
9	T24199	WASHER	1		
10	AT214874	PIN FASTENER	1		
11	ARM	1		SERVO
12	LINK	1		FEEDBACK
13	SCREW	1		
14	SCREW	1		
15	RE151064	YOKE	1		ASSEMBLY
16	R151066	SPRING	1		
17	R151075	CLAMP	1		SLIDER
18	AN220419	PISTON	9		
19	N220940	GUIDE	1		SLIPPER
20	R151100	SPACER	4		
21	T157502	WASHER	4		
22	T157503	SCREW	4		
23	R151099	BEARING	2		
24	SEAT	1		SPRING
25	SPRING	1		
26	RETAINER	1		
27	RING	1		RETAINING
28	AN220414	CYLINDER	1		ASSEMBLY
29	RE151098	CYLINDER BLOCK	1		CYLINDER BLOCK
30	R151063	PLATE	1		FRONT PUMP
..	AN203678	PUMP	1	-1999	FRONT, COMPLETE ASSEMBLY (REMANUFACTURED)
..	AN204388	PUMP	1	2000-	FRONT, COMPLETE ASSEMBLY (REMANUFACTURED)
..	AN203679	PUMP	1	-1999	REAR, COMPLETE ASSEMBLY (REMANUFACTURED)
..	AN204389	PUMP	1	2000-	REAR, COMPLETE ASSEMBLY (REMANUFACTURED)

50-47

POWER TRAIN

HYDROSTATIC PUMP SHAFT AND SERVO ASSEMBLY - CONTINUED

KEY	PART NO.	PART NAME	QTY.	SERIAL NO.	REMARKS
1	19M7932	CAP SCREW	6		M8 X 16
2	R150988	O-RING	2		
3	R151097	O-RING	2		
4	RE151096	CYLINDER	2		SERVO CYLINDER
5	T15509	SNAP RING	1		
6	RING	1		(ORDER R150995)
7	R150995	CYLINDRICAL ROLLER BEARING	1		
8	N220944	SHAFT	1		FRONT PUMP, 21 TOOTH SPLINE
	R151086	UNIVERSAL DRIVESHAFT	1		REAR PUMP, 14 TOOTH SPLINE
9	R151103	PISTON RING	2		
10	POST	2		(ORDER RE151101)
11	RE151101	PISTON REPLACEMENT KIT	1		
12	T64769	DRAIN PLUG	1		
13	T155640	NUT	2		
14	T155641	SCREW	6		
15	R151067	COVER	1		
16	RE151074	INSERT	1		
17	E80224	O-RING	1		
18	R151069	SHIM	2		
19	R151072	SPRING	2		
20	R151073	SPRING	2		
21	R151068	PLATE	2		
22	LEVEL	1		ORDER COMPLETE PUMP
23	AT214876	PIN FASTENER	2		
..	AN203678	PUMP	1	-1999	FRONT, COMPLETE ASSEMBLY (REMANUFACTURED)
..	AN204388	PUMP	1	2000-	FRONT, COMPLETE ASSEMBLY (REMANUFACTURED)
..	AN203679	PUMP	1	-1999	REAR, COMPLETE ASSEMBLY (REMANUFACTURED)
..	AN204389	PUMP	1	2000-	REAR, COMPLETE ASSEMBLY (REMANUFACTURED)

60-5

STEERING AND BRAKES

STEERING COLUMN PIVOT - CONTINUED

KEY	PART NO.	PART NAME	QTY.	SERIAL NO.	REMARKS
1	19M8584	CAP SCREW	1		M10 X 30
2	RE62130	UNIVERSAL DRIVESHAFT	1		
3	R126039	PIVOT	1		
4	R107598	BRACKET	1		
5	19M7775	SCREW	3		M6 X 16
6	R126024	GUIDE	1		
7	40M7256	SNAP RING	1		
8	R107561	END	1		
9	R119596	BEARING	1		(SUB RE212762)
	RE212762	BALL BEARING	1		
10	R126040	HOUSING	1		
11	26H86	SHAFT KEY	2		5/16" X 1"
12	RE57594	ROD	1		
	24H1283	WASHER	1		7/32" X 1/2" X 0.049"
13	R107567	SHAFT	1		
14	24H1439	WASHER	1		1" X 1-3/8" X 0.060"
15	40M7119	SNAP RING	1		
16	R114569	GROMMET	1		(SUB R194112)
	R194112	GROMMET	1		
17	R126911	STRAP	1		(SUB FOR (2) R122173)
18	37M7090	SCREW	1		M6 X 16
19	A364R	SNAP RING	1		
20	A3815R	SNAP RING	1		

60-15

STEERING AND BRAKES

BRAKE DISK AND CALIPER - CONTINUED (FRONT WHEELS, LH ILLUSTRATED)

KEY	PART NO.	PART NAME	QTY.	SERIAL NO.	REMARKS
1	AN203655	DISK BRAKE CALIPER ASSY	1		LH (SEE SEPARATE GROUPING FOR COMPONENTS)
	AN203660	DISK BRAKE CALIPER ASSY	1		RH (SEE SEPARATE GROUPING FOR COMPONENTS)
2	19H2960	CAP SCREW	2		3/8" X 1-3/4"
3	R80671	SPACER	2		
4	19H1793	CAP SCREW	2		1/2" X 2"
5	24H1625	WASHER	2		17/32" X 1" X 0.120"
6	N206118	BRACKET	1		
7	14H826	NUT	2		1/2"
8	H34753	LOCK NUT	1		
9	N190216	LOCK NUT	4		
10	N204687	HUB	1		
11	N204859	WHEEL BOLT	4		
12	AN202952	BRAKE DISK	1		

65-7

J.D. 60' BOOM

SECONDARY AND BREAKAWAY WINGS - CONTINUED
(R.H. ILLUSTRATED)
J.D. 60' BOOM

KEY	PART NO.	PART NAME	QTY.	SERIAL NO.	REMARKS
1	AN203670	WING FRAME	1		R.H.
	AN203671	WING FRAME	1		L.H.
2	N208087	NUT	2		M10
3	N208031	LOCK NUT	1		M12
4	AN203732	WING FRAME	1		R.H.
	AN203733	WING FRAME	1		L.H.
5	N208056	WASHER	1		13.480 X 26.970 X 2.300 MM
6	N208053	SCREW	1		M12 X 50
7	N207180	EYEBOLT	1		
8	N208381	SPRING	1		
9	N208380	LINK CHAIN	1		
10	N208653	CAP SCREW	1		M10 X 140
11	N208072	PLATE	1		
12	N208115	CAP SCREW	2		M16 X 50
13	N208025	LOCK NUT	2		M16
14	N208029	LOCK NUT	2		M10
15	N208890	SCREW	1		M10 X 65

65-17

J.D. 60' BOOM

BOOM VALVE HOSES AND FITTINGS TO LEVELING CYLINDERS - CONTINUED
J.D. 60' BOOM
(SERIAL NO. -6000)

KEY	PART NO.	PART NAME	QTY.	SERIAL NO.	REMARKS
1	AN203784	CYLINDER	2		(SUB AN205985) R.H. TO 2ND SPOOL FROM FRONT, L.H. TO 2ND SPOOL FROM REAR
	AN205985	HYDRAULIC CYLINDER	2		R.H. TO 2ND SPOOL FROM FRONT, L.H. TO 2ND SPOOL FROM REAR
2	R26448	O-RING	8		11.887 X 1.981 MM
3	38H1160	ADAPTER FITTING	4		
4	T77613	O-RING	12		9.246 X 1.778 MM
5	N275799	ORIFICE	4		.052"
6	AN202289	HYDRAULIC HOSE	4		11/16" X 3 150 MM X 11/16"
7	AT119937	FITTING	2		
8	38H1004	ELBOW FITTING	2		
9	AN203045	VALVE STACK	1		5 SECTION BOOM VALVE

65-27

J.D. 60' BOOM

BOOM VALVE - CONTINUED
J.D. 60' BOOM
(SERIAL NO. -6000)

KEY	PART NO.	PART NAME	QTY.	SERIAL NO.	REMARKS
1	AN203855	END PLATE	1		
2	R76617	O-RING	AR	(A)	
3	AN204927	VALVE STACK	3	(SUB FOR AN203851)	
4	R34802	O-RING	AR	(A)	
5	AN203292	ELECTRICAL COIL	10		
6	R78056	ELECTRICAL CONNECTOR ASSY	1		6-PIN
	R78059	ELECTRICAL CONNECTOR ASSY	1		
	R78058	ELEC. CONNECTOR TERMINAL	1		
7	RE12366	ELECTRICAL CONNECTOR ASSY	1		6-PIN
	R78051	SEAL	1		
	R78059	ELECTRICAL CONNECTOR ASSY	1		
	R78057	ELEC. CONNECTOR TERMINAL	1		
8	T138822	ELECTRICAL CONNECTOR ASSY	1		4-PIN
	R78059	ELECTRICAL CONNECTOR ASSY	1		
	R78058	ELEC. CONNECTOR TERMINAL	1		
9	R78055	ELECTRICAL CONNECTOR ASSY	1		4-PIN
	R78059	ELECTRICAL CONNECTOR ASSY	1		
	R78058	ELEC. CONNECTOR TERMINAL	1		
10	AN203853	COVER	10		
11	14H856	NUT	10	1/2"	
12	AN203852	SOLENOID VALVE	1		
13	AN203850	SOLENOID VALVE	1		
14	AN203854	BRACKET	1		
15	N10212	SELF-LOCKING SCREW	4	5/16" X 3/4"	
16	N10213	LOCK NUT	2	5/16"	
17	14H786	NUT	4	1/4"	
18	12H297	LOCK WASHER	4	1/4"	
19	N206742	STUD	4		
20	AN203045	VALVE STACK	1		ORDER INDIVIDUAL COMPONENTS FOR SERVICE
..	AN203290	SEAL KIT	1		(INCLUDES PARTS MARKED (A))
..	AN204928	VALVE STACK	1		KIT - ORDER IF ONLY VALVE SEAT IS NEEDED

70-5

HYDRAULIC SYSTEM

MEMORANDA

70-15

HYDRAULIC SYSTEM

TREAD ADJUSTING VALVES, HOSES AND FITTINGS - CONTINUED (SERIAL NO. -6000)

KEY	PART NO.	PART NAME	QTY.	SERIAL NO.	REMARKS
1	T77858	O-RING	1		
2	38H1356	TUBE NUT	1		
3	38H1474	REDUCER	1		
4	T77857	O-RING	3		
5	38H1039	TEE FITTING	1		
6	AN203225	HYDRAULIC HOSE	1		13/16" X 1 727 MM (68") X 11/16", "IN"
7	T77613	O-RING	9		
8	38H1030	TEE FITTING	1		
9	N198300	ORIFICE	2		
10	38H1160	ADAPTER FITTING	4		
11	R26448	O-RING	12		
12	AN203046	VALVE STACK	1		REAR TREAD ADJUSTING
	AN203291	SEAL KIT	1		(FOR VALVE AN203046)
13	AN203653	HYDRAULIC HOSE	1		11/16" X 1 105 MM (43-1/2") X 11/16", "OUT"
14	R28782	O-RING	10		
15	38H1159	ADAPTER FITTING	10		
16	T77814	O-RING	16		
17	38H1029	TEE FITTING	1		"S"
18	AT119937	FITTING	2		LONG 90° ELBOW
19	38H1009	ELBOW FITTING	6		90°
20	AN203156	HYDRAULIC HOSE	2		9/16" X 1 575 MM (62") X 9/16"
21	AN203222	HYDRAULIC HOSE	1		9/16" X 1 524 MM (60") X 11/16"
22	AN203221	HYDRAULIC HOSE	1		9/16" X 1 092 MM (43") X 11/16"
23	AN203625	HYDRAULIC CYLINDER	4		(SUB AN205972) REAR (GREEN)
	AN205972	HYDRAULIC CYLINDER	4		REAR (GREEN)
24	AN203116	HYDRAULIC HOSE	1		11/16" X 3 600 MM (141-3/4") X 13/16", "IN"
25	AN203046	VALVE STACK	1		FRONT TREAD ADJUSTING
	AN203291	SEAL KIT	1		(FOR VALVE AN203046)
26	AN203120	HYDRAULIC HOSE	1		11/16" X 2 769 MM (109") X 13/16", "OUT"
27	AN203142	HYDRAULIC HOSE	1		9/16" X 3 258 MM (128-1/4") X 9/16", "S"
28	AN203107	HYDRAULIC HOSE	2		9/16" X 1 156 MM (45-1/2") X 9/16"
29	AN203108	HYDRAULIC HOSE	2		9/16" X 1 638 MM (64-1/2") X 9/16", (SUB AN203223)
30	AH78125	CLIP	2		
31	H75541	CLAMP	1		
32	AN202845	VALVE	1		PRIORITY

70-25

HYDRAULIC SYSTEM

TREAD ADJUSTING VALVE - CONTINUED (SERIAL NO. 6001-)

KEY	PART NO.	PART NAME	QTY.	SERIAL NO.	REMARKS
1	AN204814	VALVE STACK	1		
2	T138822	ELECTRICAL CONNECTOR ASSY	2		4 PIN
3	R78055	ELECTRICAL CONNECTOR ASSY	1		4 PIN
4	AN205022	ELEC. CONNECTOR HOUSING	1		4 PIN
5	AN205030	VALVE	4		
6	AN205031	PISTON	4		DUAL PILOT
7	AN202067	CHECK VALVE	8		
	AT124681	SEAL KIT	1		
8	AN205036	FITTING	8		
9	U46166	O-RING	8		24.400 X 3.100 MM, DUAL PILOT
10	R62070	RING	8		25.121 X 1.778 MM
11	N203255	NUT	8		
12	AN204456	ELECTRICAL COIL	8		
13	T77613	O-RING	16		9.246 X 1.778 MM, 4 PER VALVE AT MANIFOLD
14	19H3070	SCREW	16		4.826 X 31.750 MM, 4 PER VALVE
15	14M7400	LOCK NUT	4		M10
16	N209120	BRACKET	1		
17	19M7347	CAP SCREW	4		M10 X 120

70-35

HYDRAULIC SYSTEM

TRACTION CONTROL VALVE - CONTINUED (LEFTHAND)

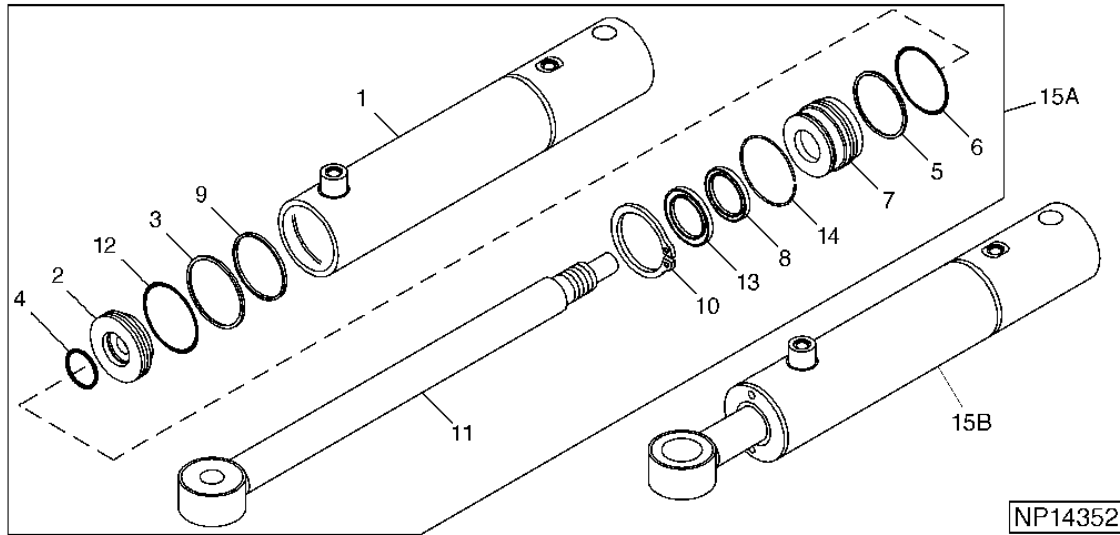
KEY	PART NO.	PART NAME	QTY.	ENGINE SERIAL NO.	REMARKS
1	AN204518	FLOW DIVIDER	1		(INCLUDES PARTS MARKED (A))
2	AN204676	SOLENOID VALVE	1		(A)
3	AN204677	SOLENOID VALVE	1		(A)
4	AN204678	SEAL KIT	1		(A)
5	38H1163	ADAPTER FITTING	2		
6	U12547	O-RING	2		
7	XPD341	DIAGNOSTIC COUPLING	2		
8	R28782	O-RING	2		
9	R29936	O-RING	1		
10	38H1031	TEE FITTING	1		
11	R26448	O-RING	2		
12	38H1160	ADAPTER FITTING	2		
13	T77613	O-RING	9		
14	AN203119	HYDRAULIC HOSE	1		
15	38H1030	TEE FITTING	3		
16	AN204033	HYDRAULIC HOSE	2		
17	U40745	O-RING	3		
18	R30903	O-RING	10		
19	R108038	DRAIN PLUG	10		
20	R26448	O-RING	2		
21	T54967	FITTING PLUG	2		
22	U12547	O-RING	2		
23	T64769	DRAIN PLUG	2		
24	R28782	O-RING	1		
25	T54904	UNION FITTING	1		
26	R26287	O-RING	3		

75-9

80/90' BOOM

HYDRAULIC CYLINDER - ROLL BIAS (80/90' BOOM)

NP14352 -UN-21SEP04



KEY	PART NO.	PART NAME	QTY.	SERIAL NO.	REMARKS
1	HYDRAULIC CYLINDER BARREL	1		
2	A52726	PISTON	1		
3	WEAR RING	1		(A)
4	W32255	O-RING	1		
5	W32106	RING	1		
6	T65954	O-RING	1		
7	BEARING	1		
8	A36745	O-RING	1		
9	A36747	BACK-UP RING	1		
10	SNAP RING	1		(A)
11	ROD	1		
12	W38660	SEAL	1		
13	SNAP RING	1		(A)
14	A49571	SEAL	1		
15A	AN205973	HYDRAULIC CYLINDER	1	-XXXX	(SUB FOR AN203761) ROLL BIAS
15B	AN207876	HYDRAULIC CYLINDER	1	XXXX-	
..	AN204215	SEAL KIT	1		(USE WITH AN203761) (INCLUDES PARTS MARKED (A))
..	AN206487	SEAL KIT	1		(USE WITH AN205973)
..	AN208521	SEAL KIT	1		(USE WITH AN207876)

75-19

80/90' BOOM

BOOM VALVE - BASIC - CONTINUED
(80/90' BOOM)
(SERIAL NO. 6001-)

KEY	PART NO.	PART NAME	QTY.	SERIAL NO.	REMARKS
1	AN204815	VALVE STACK	1		
2	AN281036	PISTON	1		SINGLE PILOT
3	T138822	ELECTRICAL CONNECTOR ASSY	2		4 PIN
4	R78055	ELECTRICAL CONNECTOR ASSY	2		4 PIN
5	R78056	ELECTRICAL CONNECTOR ASSY	1		6 PIN
6	AA37475	ELECTRICAL COIL	2		
7	AE51068	SOLENOID VALVE	1		(SUB FOR AE49604)
8	AN205030	VALVE	6		
9	AN205031	PISTON	4		DUAL PILOT
10	AN202067	CHECK VALVE	13		
	AT124681	SEAL KIT	1		
11	AN205036	FITTING	13		
12	N203255	NUT	12		
13	AT139434	KIT	1		COIL HOUSING
14	AT124681	SEAL KIT	1		
15	AN205501	SOLENOID VALVE	1		(SUB FOR AT170998)
16	AN272378	ELECTRICAL COIL	12		
17	U46166	O-RING	12		24.400 X 3.100 MM
18	R62070	RING	12		25.121 X 1.778 MM
19	T77613	O-RING	24		9.246 X 1.778 MM, 4 PER VALVE AT MANIFOLD
20	19H3070	SCREW	24		4.826 X 31.750 MM, 4 PER VALVE
21	AZ43330	CONNECTOR	1		6 PIN
22	MANIFOLD	1		
23	N206796	STRAP	1		
24	19M7866	SCREW	2		M8 X 20
25	14M7396	LOCK NUT	2		M8
26	19M7347	CAP SCREW	4		M10 X 120
27	14M7400	LOCK NUT	4		M10
28	N209139	BRACKET	1		
29	N187964	U-BOLT	3		
30	N10215	LOCK NUT	6		3/8"
31A	AN204050	HYDRAULIC ACCUMULATOR	1		(SUB AN205817)
31B	AN205377	PNEUMATIC ACCUMULATOR	1		
	AN205470	SEAL KIT	1		
32	N209808	CLAMP	2		
33	AN205817	PNEUMATIC ACCUMULATOR	1		(SUB FOR AN204050)

75-29

80/90' BOOM

BOOM VALVE HOSES AND FITTINGS TO LEVELING CYLINDERS - CONTINUED
(80/90' BOOM)
(SERIAL NO. 6001-)

KEY	PART NO.	PART NAME	QTY.	SERIAL NO.	REMARKS
1	AN205550	HYDRAULIC CYLINDER	2		(SUB FOR AN204584 AND AN205642) 0° TO 10° UP
	AN205551	HYDRAULIC CYLINDER	2		(SUB FOR AN204583 AND AN205643) 5° DOWN TO 10° UP
2	H102013	ORIFICE	4		.037". (SUB FOR (2) N208625 (.0292"))
3	38H1160	ADAPTER FITTING	2		
4	T77613	O-RING	8		9.246 X 1.778 MM
5	AN205016	HYDRAULIC HOSE - FABRICATE	4		9/16" X 2.464 MM X 11/16"
6	T77814	O-RING	4		7.645 X 1.778 MM, .026" ONE WAY
7	38H1309	ADAPTER FITTING	4		
8	R26448	O-RING	4		11.887 X 1.981 MM
9	38H1004	ELBOW FITTING	4		
10	R28782	O-RING	4		8.915 X 1.829 MM
..	BN202419	COMPLETE GOODS/SHIP. BUNDLE	1		LARGE BOOM BELOW HORIZONTAL TILT KIT

CLICK HERE TO **DOWNLOAD** THE COMPLETE MANUAL

- Thank you very much for reading the preview of the manual.
- You can download the complete manual from: www.heydownloads.com by clicking the link below



- Please note: If there is no response to CLICKING the link, please download this PDF first and then click on it.

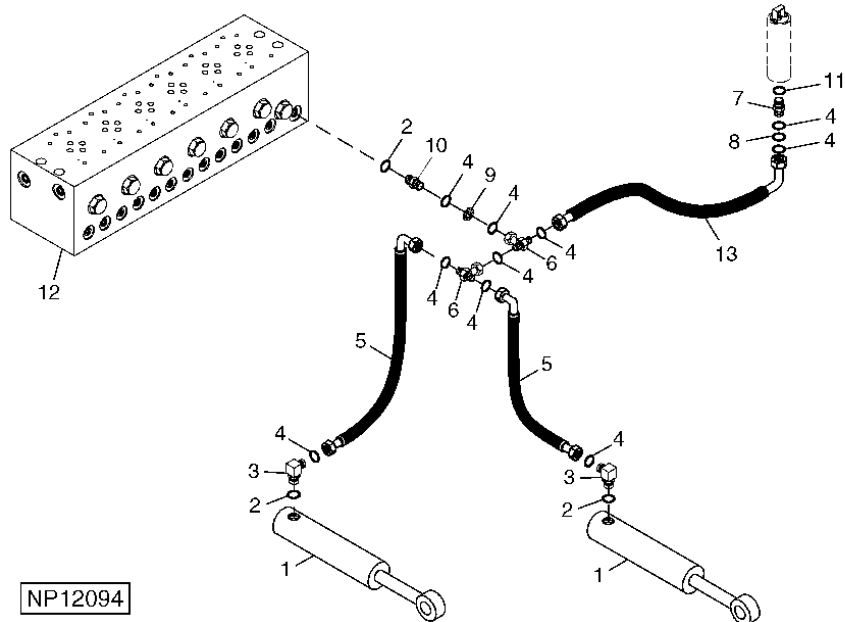
CLICK HERE TO **DOWNLOAD** THE COMPLETE MANUAL

75-39

80/90' BOOM

BOOM VALVE HOSES AND FITTINGS TO LIFT CYLINDERS (80/90' BOOM) (SERIAL NO. 6001-)

NP12094 -UN-23OCT01



KEY	PART NO.	PART NAME	QTY.	SERIAL NO.	REMARKS
1	AN204055	HYDRAULIC CYLINDER	2		60' BOOM VALVE
2	R26448	O-RING	3		11.887 X 1.981 MM
3	38H1004	ELBOW FITTING	2		
4	T77613	O-RING	10		9.246 X 1.778 MM
5	AN204031	HYDRAULIC HOSE	2		11/16" X 1 905 MM X 11/16"
6	38H1038	TEE FITTING	2		
7	38H1171	ADAPTER FITTING	1		
8	N198300	ORIFICE	1		
9	N209512	ORIFICE	1		.0995", (SUB FOR N207508 (.0935"))
10	38H1160	ADAPTER FITTING	1		
11	R26375	O-RING	1		16.358 X 2.210 MM
12	MANIFOLD	1		
13	AN153571	HYDRAULIC HOSE	1		11/16" X 813 MM (32") X 11/16"

75-49

80/90' BOOM

CYLINDERS AND ROCKER ASSEMBLY - CONTINUED (80/90' BOOM)

KEY	PART NO.	PART NAME	QTY.	SERIAL NO.	REMARKS
1	N207971	SCREW	4		M16 X 70, (USE WITH N206262 AND N206273)
	N207973	SCREW	4		M16 X 130, (USE WITH N207498 AND N207499)
2	N206262	STOP	2		(USE WITH AN204584) L.H., STANDARD
	N206273	STOP	2		(USE WITH AN204584) R.H., STANDARD
	N207498	STOP	2		(USE WITH AN204583) R.H., BELOW HORIZONTAL
	N207499	STOP	2		(USE WITH AN204583) L.H., BELOW HORIZONTAL
3	U14128	SNAP RING	2		
4	AN203803	SELF-ALIGNING BUSHING	2		
5	AN205642	CYLINDER	2		(SUB FOR AN204056 AND AN204584) STANDARD
	AN205643	CYLINDER	2		(SUB FOR AN204057 AND AN204583) BELOW HORIZONTAL TILT
6	N207706	WASHER	4		
7	AN204263	ISOLATOR	2		
8	E59406	FLANGE NUT	2		
9	N207983	CAP SCREW	2		M24 X 140
10A	AN204705	LINK	1		(SUB FOR AN204283) (SUB AN205651)
10B	AN205651	LINK	1		
11	N208004	LOCK NUT	6		
12	N207991	CAP SCREW	6		M20 X 150
13	N208446	SPACER	2		
14	N208455	SCREW	2		
15	AN204791	ROCKER	2		(YAW) (SUB FOR AN203739 OR AN204554 OR AN204790)
16	N208477	BUMPER	4		(SUB FOR N206385) (YAW)
17	19H1854	CAP SCREW	2		3/8" X 3-3/4", (SUB FOR N207968)
18A	N208429	WASHER	2	-4258	(A)
18B	24H1245	WASHER	1	4259-	(B) 1-9/32" X 2" X 0.105"
19A	AN203762	CYLINDER	2	-4258	(SUB AN204585, AN204595, AN204702, N208443, N208743, N208823, (2) TY22473, R28782, T77613 AND 24H1245)
19B	AN204585	HYDRAULIC CYLINDER	2	4259-6009	(SUB FOR AN203762)
	AN205192	CYLINDER	2	6010-XXXX	(SUB AN205641)
	AN205641	CYLINDER	2	XXXX-	
20	N207949	LOCK WASHER	4		4.300 MM
21	N207950	NUT	4		M4
22	TY22472	CLAMP	4	-4258	(A) (SUB FOR AT145651)
23	N206778	BRACKET	2	-4258	(A) SWITCH
24A	AN204783	SWITCH	2	-4258	(A) (SUB FOR AN204001)
24B	AN204595	SWITCH	2	4259-	(B)
25	N207994	SCREW	4		M4 X 35
26	37M7089	SCREW	8	-4258	(A)
27A	AN260437	STOP	2	-4258	(A)
27B	AN204702	CLIP	2	4259-	(B)
28	N207417	SHIELD	2	-4258	(B) SWITCH
29	AN204654	BALL JOINT	2		(SUB FOR AN204476)
30A	AN204704	BASE	1		(SUB FOR AN204277)
30B	AN205650	BASE	1		
31A	AN204278	ROD	1		
31B	AN205654	ROD	1		
32	N208004	LOCK NUT	1		
33	N207792	WASHER	6		
34	N207979	CAP SCREW	1		
35	N207807	SOLID SHIM	AR		
36	N208823	SPACER	2	4259-	(B)
37	N208000	WASHER	2		
38	N208443	BRACKET	2	4259-	(B)
39	TY22473	CLAMP	4	4259-	(B)
40	N208743	BRACKET	2	4259-	(B) (SUB N302265)
	N302265	BRACKET	2		
41	N207953	LOCK NUT	2		
42	JD7799	LUBRICATION FITTING	2		
43	N207762	WASHER	1		

USE PARTS MARKED (A) WITH CYLINDER AN203762
USE PARTS MARKED (B) WITH CYLINDER AN204585

NOTE: WHEN REPLACING CYLINDER AN203762 WITH AN204585 ALSO ORDER PARTS MARKED (B)

75-59

80/90' BOOM

BUMPER ANGLE AND BREAKAWAY STOP - CONTINUED (80/90' BOOM)

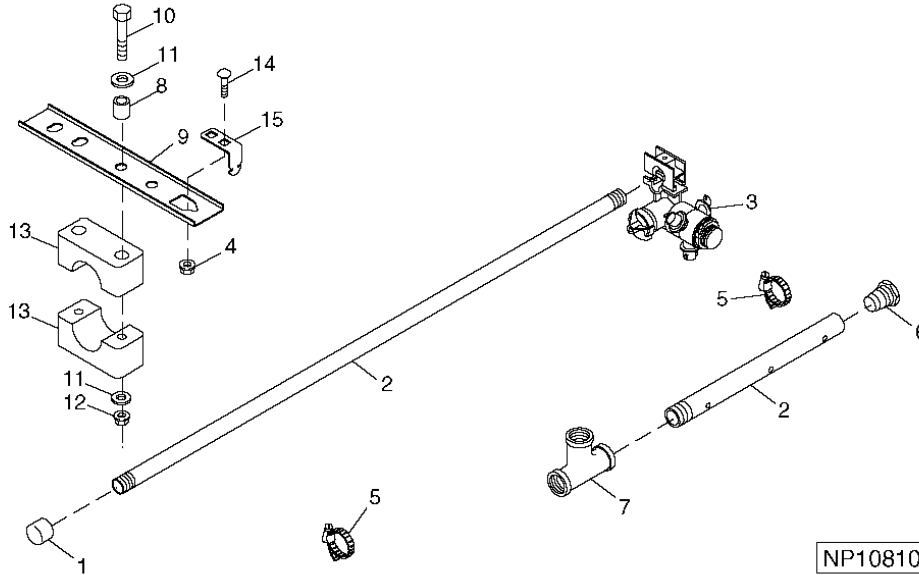
KEY	PART NO.	PART NAME	QTY.	SERIAL NO.	REMARKS
1A	AN204331	SHEET	1		BOOM SLIDE (SUB N208756 (RH) OR N208757 (LH), PLUS N207654, (2) N209148 AND (2) N207955)
1B	N208756	ANGLE	1		R.H.
	N208757	ANGLE	1		L.H.
2	N207955	LOCK NUT	24		M8
3	N207654	ANGLE	6		
4	N209148	BOLT	12		M8 X 65. (SUB FOR N208118) CARRIAGE
5	N208016	CAP SCREW	12		M6 X 16
6	N208020	SCREW	8		M8 X 45
7	N207875	PLATE	2		
8	N207877	ANGLE	2		
9	N302264	BUMPER	2		(SUB FOR N206529) FOLD
10	N208086	WASHER	4		6.400 X 12 X 1.600 MM
11	N207898	ANGLE	2		
12	N302274	BRACKET	2		(SUB FOR N207878)
13	N207876	ANGLE	2		
14	AN203906	FRAME	1		L.H., INNER WING (ILLUSTRATED)
	AN203907	FRAME	1		R.H., INNER WING
15	N207956	LOCK NUT	12		
16	N207897	STOP	2		
17	N208017	SCREW	4		M8 X 50

75-69

80/90' BOOM

TEEJET NOZZLES AND PREDRILLED TUBES STANDARD 20" NOZZLE SPACING (80/90' BOOM) (SERIAL NO. XXXX-)

NP10810 -UN-05JAN00



KEY	PART NO.	PART NAME	QTY.	SERIAL NO.	REMARKS
1	A52618	FITTING	16		1" PIPE CAP
2	N207448	PIPE	4		1 HOLE (FOR WINGS) 80' BOOM ONLY
	N207279	PIPE	6		2 HOLES (FOR WINGS)
	N207280	PIPE	6		3 HOLES (FOR WINGS) (6) USED ON 90' BOOM, (4) USED ON 80' BOOM
	N207281	PIPE	2		4 HOLES (FOR WINGS)
	N207282	PIPE	2		5 HOLES (FOR WINGS)
3	AN204848	NOZZLE	48		(SUB AN205563)
	AN205563	NOZZLE	48		
4	N207955	LOCK NUT	28		
5	AN205155	HOSE CLAMP	16		(SUB FOR TY22539) CHEMICAL RESISTANT CLAMP
6	PMPUG075	PIPE PLUG	AR		(SUB FOR N202995)
7	PMTEE100	TEE FITTING	10		(SUB FOR N202731)
8	N207260	SPACER	52		
9	N209044	BRACKET	28		INNER WING AND OUTER WING
	N209046	BRACKET	6		BREAKAWAY WING
10	N208013	CAP SCREW	68		
11	N207997	WASHER	136		
12	N207956	LOCK NUT	68		
13	N207263	HALF CLAMP	68		
14	N209063	BOLT	28		
15	N209045	BRACKET	28		INNER WING AND OUTER WING
	N209047	BRACKET	6		BREAKAWAY WING

75-79

80/90' BOOM

**RETROFIT ASSEMBLY - CONTINUED
(FOR USE WITH 1997 MODEL YEAR)**

KEY	PART NO.	PART NAME	QTY.	SERIAL NO.	REMARKS
1	AN204106	FRAME	1		
2	N207982	CAP SCREW	2		
3	N207987	SCREW	2		
4	N208004	LOCK NUT	4		
5	AN204342	CHANNEL	2		(SUB FOR AN203971)
6	N207955	LOCK NUT	6		
7	N207964	SCREW	4		
8	JD7759	LUBRICATION FITTING	4		
9	AN204050	ACCUMULATOR	1		
10	N206796	STRAP	1		
11	N207978	SCREW	2		
12	AN204055	HYDRAULIC CYLINDER	2		
13	AN204169	PIN	4		
14	N208001	BUSHING	4		
15	AN204696	FRAME	1		(SUB FOR AN204427) (INCLUDES N302717) (DECAL)

SOLUTION TANK BOTTOM HOSE FITTINGS - CONTINUED

KEY	PART NO.	PART NAME	QTY.	SERIAL NO.	REMARKS
1	N205641	CHANNEL	1	-1999	SOLUTION LEVEL SIGHT GAUGE, PLASTIC TANK
	N206956	ANGLE	1	-1999	SOLUTION LEVEL SIGHT GAUGE, STAINLESS STEEL TANK
2	N205413	LABEL	1	-1999	SIGHT GAUGE, STAINLESS STEEL TANK
	N206932	LABEL	1	-1999	SIGHT GAUGE, PLASTIC TANK, U.S. GALLONS
	N206934	LABEL	1	-1999	SIGHT GAUGE, PLASTIC TANK, LITERS (7 TO 28)
	N206933	LABEL	1	-1999	SIGHT GAUGE, PLASTIC TANK, LITERS (3)
3	19M7866	SCREW	3	-1999	M8 X 20
4	N191985	CLIP	3	-1999	
5	E63525	NUT	4		M8
6	19M7785	SCREW	2		M10 X 25
7	E63526	NUT	3		M10
8	19M7808	SCREW	1	-1999	M10 X 65
9	28H3380	SPACER	1	-1999	0.493" X 0.675" X 1-5/8"
10	N205642	TUBE	1	-1999	SIGHT GAUGE
11	TY22464	CLAMP	1		
12A	N205823	FITTING	1	-1999	PLASTIC TANK
12B	PMHB-075/050	FITTING	1	-1999	STAINLESS STEEL TANK
12C	N205064	ELBOW FITTING	1	2000-	PLASTIC TANK
	PMHB07505090	HOSE FITTING	1	2000-	(SUB FOR N203163) STAINLESS STEEL TANK
13	N205065	O-RING	3		
14	N205066	FORK	3		
15	N205064	ELBOW FITTING	1	-2550	AGITATION
	PMHB075-90	FITTING	1	2551-	(SUB FOR N203165)
16	TY22465	HOSE CLAMP	3	-2550	
17	HOSE	1	-2550	AGITATION (CUT 86-1/2" OF N205450)
18	T38377	CLAMP	1	-1999	
19	37M7086	SCREW	2		M10 X 20
20	N205067	TEE FITTING	1	-2550	AGITATION
21	HOSE	1	-2550	AGITATION (CUT 82" OF N205450)
22	N203866	O-RING	4		
23	N205039	FITTING	1		
24	N205041	FORK	4		
25A	AN203047	CONTROL VALVE	1	-2277	(SUB AN205915)
25B	AN205915	CONTROL VALVE	1	2278-	
26	N205037	PLUG	1		
27	N205040	FITTING	1		
28	AN205157	CLAMP	2		(SUB FOR TY22470) CHEMICAL RESISTANT CLAMP
29	N205182	HOSE	1		SUCTION
30	N205078	CAGE	1		TANK DRAIN
31	N205452	CLAMP	1		
32	N207368	ANGLE	1	-6000	(SUB FOR N206222)
33	N207344	CHANNEL	1	2000-	
34	N207349	LABEL	1	2000-	SIGHT GAUGE, STAINLESS STEEL TANK
	N207361	LABEL	1	2000-	SIGHT GAUGE, PLASTIC TANK
35	N207698	TUBE	1	2000-	
36	N207695	HOSE FITTING	2	2000-	
37	N207698	TUBE	1	2000-	(CUT 10")
38	N207696	HOSE FITTING	1	2000-	
39	N207700	BALL	1	2000-	
40	AN205160	CLAMP	3		(SUB FOR AR7762) CHEMICAL RESISTANT CLAMP
41	N207699	TUBE	1	2000-	
42	19M7867	SCREW	4	2000-	M8 X 25
43	AH78237	CLAMP	4	2000-	
44	14M7400	LOCK NUT	1	2000-	
45	T79180	WASHER	1	2000-	
46	R111382	WASHER	1	2000-	
47	19M7808	SCREW	2	2000-	
48	N191985	CLIP	2	2000-	
49	28H3377	BUSHING	1	2000-	
50	N198001	STRAP	1	2000-	
51	N120831	SPACER	1	2000-	
52	19M8528	SCREW	1	2000-	

80-17

SOLUTION CONTROLS

EDUCTOR HOPPER AND BRACKET - CONTINUED

KEY	PART NO.	PART NAME	QTY.	SERIAL NO.	REMARKS
1	R115850	SCREW	6		
2	N205838	INDICATOR	1		LEVEL
3	N205841	STRAP	1		ELASTIC
4	N205835	HOOK	2		
5	H142298	SCREW	2		
6	N205839	HANDLE	1		
7	37H116	SCREW	2		HANDLE
8	N205836	COVER	1		
9	19M6614	CAP SCREW	3		M6 X 12
10	N205833	HOLDER	5		TUBE
11	N205837	HOPPER	1		
12	N205830	PLATE	1		ANTI-VORTEX
13	19M7077	CAP SCREW	2		M6 X 20
14	24M7139	WASHER	4		6.400 X 18 X 1.600 MM
15	N205828	BUSHING	2		
16	N205840	BOLT	4		
17	14M7165	LOCK NUT	4		M6
18	N205842	BRACKET	1		

80-27

SOLUTION CONTROLS

SOLUTION PRESSURE VALVES, HOSES AND FITTINGS - CONTINUED (SERIAL NO. 2000- 2550)

KEY	PART NO.	PART NAME	QTY.	SERIAL NO.	REMARKS
1	PMHB150-125	FITTING	1		(SUB FOR N205200)
2	AN205155	CLAMP	5		(SUB FOR TY22467) CHEMICAL RESISTANT CLAMP
3	HOSE	1		CUT 42" OF N205190
4	HOSE	1		CUT 20.5" OF N207311
5	N205110	FITTING	1		
6	N205057	O-RING	AR		
7	N205058	FORK	AR		
8	N205061	TEE FITTING	3		
9	N205109	FITTING	2		CONNECTOR
10	N205056	NUT	2		
11	AN203050	CONTROL VALVE	2		(W/PRESSURE VALVE OPTION)
	AN203050	CONTROL VALVE	1		(W/O PRESSURE VALVE OPTION)
12	N205060	ELBOW FITTING	1		(W/O PRESSURE VALVE OPTION)
13	TY22467	CLAMP	1		(W/O PRESSURE VALVE OPTION)
14	N205062	PLUG	2		
15	F2136R	ELBOW FITTING	1		
16	N207311	HOSE	1		TO STRAINER
17	N205102	ELBOW FITTING	1	-2550	
18	AN202809	VALVE	1	-2550	
19	N204668	O-RING	2	-2550	
20	N204665	FITTING	1	-2550	
21	N204666	TUBE NUT	1	-2550	
22	AN205158	CLAMP	AR		(SUB FOR TY22465) CHEMICAL RESISTANT CLAMP
23	HOSE	1	-2550	(CUT 29" OF N155885)
24	PMHB-075/050	FITTING	2		
25	AN203078	VALVE	1		CHECK VALVE (3/4")
26	PMNIP075-SH	THREADED NIPPLE	1		NIPPLE, (SUB FOR N202725)
27	N205023	BRACKET	1	-2550	
28	AN203038	VALVE	1		ELECTRIC BALL, (SUB AN209283)
	AN209283	VALVE	1		
29	HOSE	1	-2550	TO AGITATION NOZZLES (CUT 82" OF N205450)
30	H77698	TIE BAND	1		
31	N205059	ELBOW FITTING	1		
32	AN205157	CLAMP	7		(SUB FOR TY22470) CHEMICAL RESISTANT CLAMP
33	N205192	HOSE	1		BYPASS TO TANK
34	N205087	ELBOW FITTING	1		
35	HOSE	1		TO EDUCTOR, 1 X 80", (MAKE FROM TY24415)
36	N205062	PLUG	1		(W/O EDUCTOR)
37	N205111	FITTING	1		
38	N205065	O-RING	1		
39	N205066	FORK	2		
40	N205064	ELBOW FITTING	1		
41	HOSE	1		(CUT 25-1/2" OF N155885)
42	HOSE	1		TO SOLUTION TANK RINSE NOZZLES (CUT 105" OF N155885)
43	N205062	PLUG	1		(W/O TANK RINSE)
44	R67293	FITTING	1		
45	AN205160	CLAMP	1		(SUB FOR AR77962) CHEMICAL RESISTANT CLAMP
46	N205193	HOSE	1		PUMP BLEED TO TANK
47	AN204154	PUMP	1		(SUB AN204925) (SUB FOR AN202855)
	AN205537	PUMP	1		(SUB FOR AN204925)
48	PMHB150	FITTING	3		(SUB FOR N202736)
49	PMTEE150	TEE FITTING	1		(SUB FOR A56395)
50	N191985	CLIP	1		PUMP BLEED
51	R44302	TIE BAND	1		
52	N204999	SUPPORT	1		VALVE
53	AN203078	VALVE	1	-2550	CHECK VALVE (3/4")
54	N205111	FITTING	1	-2550	
55	N205065	O-RING	1	-2550	
56	PMHB-075/050	FITTING	2	-2550	

80-37

SOLUTION CONTROLS

SOLUTION FILTER, FLOW METER AND BOOM VALVE HOSES AND FITTINGS - CONTINUED (SERIAL NO. 2000-)

KEY	PART NO.	PART NAME	QTY.	SERIAL NO.	REMARKS
1	N208099	SCREW	4		M10 X 25
2	N208008	NUT	6		
3	N205415	CLAMP	3		
4	N208100	WASHER	4		
5	N207311	HOSE	1		FILTER INLET
6	AN205155	CLAMP	12		(SUB FOR TY22467) CHEMICAL RESISTANT CLAMP
7	PMHB150	FITTING	1		(SUB FOR N202736)
8	AN205157	CLAMP	2		(SUB FOR TY22470) CHEMICAL RESISTANT CLAMP
9	N198631	CLAMP	1		
10	AN204759	STRAINER	1		(SUB FOR PMLST150-50 AND AN204501)
11	HOSE	1		(CUT 46" OF N205190)
12	N204459	ANGLE	1		
13	19M7811	SCREW	4		M10 X 90
14	N207976	SCREW	2		
15	N208006	NUT	2		
16A	AN203409	VALVE	1		(A) ASSEMBLY (3 SECTION) (SUB AN202086, AN202887, AN203973, N207030, N207033, N207034, N207035, N207036, N207037, N207038 AND N207041)
16B	AN203639	VALVE	1		(B) ASSEMBLY (5 SECTION) (SUB AN203973, N207030, N302181, N207034, N207035, N207037, N207038, N207039)
17	PMSL038-90	ELBOW FITTING	1		(SUB FOR N206062)
18	AN202690	TRANSDUCER	1		PRESSURE
19	AN203915	VALVE	1		HIGH/LOW FLOW VALVE
20	AN205172	METER	1		FLOW (COMPLETE) (SUB FOR AN203593)
	AN203595	SENSOR	1		ELECTRONIC PICKUP
	AN205173	INSERT	1		HIGH FLOW, (SUB FOR AN203704)
21	HOSE	2		(CUT 11" OF N205190)
22	PMHB150-125	FITTING	3		(SUB FOR N205200)
23	AN204107	SUPPORT	1		USE WITH HARDI 60' BOOM
24	N208105	COVER	1		
25	R44302	TIE BAND	AR		
26	37M7086	SCREW	1		M10 X 20
27	N202992	HOSE FITTING	6		FOR 1" I.D. HOSE
28	PMHB100-075	FITTING	2		(SUB FOR N202991) FOR 3/4" I.D. HOSE

(A) 60' BOOM
(B) 80/90' BOOM

80-47

SOLUTION CONTROLS

FENCE ROW NOZZLES - CONTINUED
(OPTION)
(- 1999)

KEY	PART NO.	PART NAME	QTY.	SERIAL NO.	REMARKS
1	AN203038	VALVE	1		ELECTRIC BALL, (SUB AN209283)
	AN209283	VALVE	1		
2	AN203249	WIRING HARNESS	1		(SUB AN204265 AND AN204266)
	AN204265	WIRING HARNESS	1		(SUB AN208599) ENDROW 60/80/90'
	AN208599	WIRING HARNESS	1		
	AN204266	WIRING HARNESS	1		ENDROW 80/90'
3	AN202797	TOGGLE/ROCKER SWITCH	1		ON-OFF DPDT
4	H77698	TIE BAND	15		
5	N205470	HOSE FITTING	1		TEEJET SWIVEL
6	PMHB075	FITTING	1		(SUB FOR N202990)
7	15H607	PIPE BUSHING	1		1/4"
8	29H84	THREADED NIPPLE	1		1/4"
9	N203595	O-RING	1		
10	AN202259	HOSE FITTING	1		
11	N203596	NUT	1		
12	HOSE	1		(CUT 37" OF N155877)
13	TY22467	CLAMP	2		
14	N205466	BRACKET	1		
15	N205467	STRAP	1		
16	E63525	NUT	2		M8
17	19M7802	SCREW	2		M8 X 65
18	N205660	SEALING WASHER	1		
19	N187815	CAP	1		
..	BN202057	COMPLETE GOODS/SHIP. BUNDLE	1		FENCE ROW NOZZLE

80-57

SOLUTION CONTROLS

FOAM MARKER APPLICATOR - CONTINUED (20 GALLON)

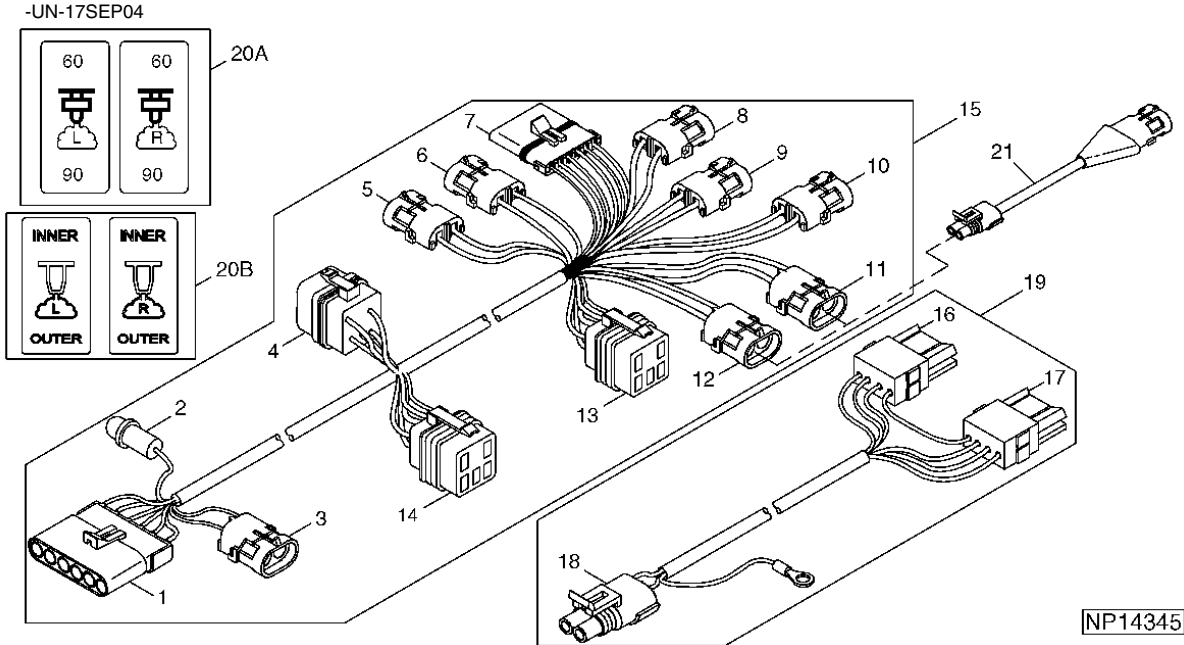
KEY	PART NO.	PART NAME	QTY.	SERIAL NO.	REMARKS
1	HOSE	1		8 MM X 2.83 M (111-1/2") (MAKE FROM N207322)
	N203591	COUPLING	AR	-XXXX	8 MM HOSE SPLICE
2	HOSE	1		10 MM X 2.67 M (105") (MAKE FROM N207323)
	N203592	COUPLING	AR	-XXXX	10 MM HOSE SPLICE
3	N203626	HOUSING	1		
4	N203625	PLUG	1		
5	N203624	NOZZLE	1		
6	N203623	HOUSING	1		
7	N203632	O-RING	2		
8	N203634	SPONGE	1		
9	N203633	FILTER	1		
10	N203631	END	1		
11	37H20	SCREW	1		
12	TY22467	CLAMP	2		
13	HOUSING	1		(MAKE FROM N155881) CUT TO LENGTH
14	N203629	ELBOW FITTING	1		
15	AN202273	ARM	1		
16	N203640	NUT	1		
17	N203641	O-RING	1		
18	N203942	COVER	1		
19	N203943	FITTING	1		
20	TY22539	HOSE CLAMP	2		
21	HOSE	1		(MAKE FROM N202926) CUT TO 12"
22	N203945	NOZZLE	1		
23	N203643	ORIFICE	1		
24	N203642	FILTER	1		
25	N203644	RETAINER	1		
26	19M7185	CAP SCREW	2		M8 X 60
27	14M7426	LOCK NUT	2		M8
28	N203639	STRAP	2		
29	14M7319	LOCK NUT	1		M12
30	AN202274	HOLDER	1		
31	N203637	BRACKET	2		
32	N203636	WASHER	1		
33	19M7363	CAP SCREW	1		M12 X 60 (HS, HEAD MARKED 10.9)
34	37M7215	SCREW	3		
35	N167650	SCREW	2		5/16" X 3/4"
36	N205168	ANGLE	1		USE WITH DROP NOZZLES
37	N10213	LOCK NUT	2		5/16"

80-67

SOLUTION CONTROLS

FOAM MARKER WIRING HARNESS (12 VOLT AND ON-BOARD-AIR) (DUAL OPTION KIT) (35 GALLON)

NP14345



KEY	PART NO.	PART NAME	QTY.	ENGINE SERIAL NO.	REMARKS
1	CONNECTOR	1		CHASSIS HARNESS
2	CONNECTOR	1		12V POWER HARNESS
3	CONNECTOR	1		DROP HARNESS
4	CONNECTOR	1		LEFT FOAM
5	CONNECTOR	1		90' L/FOAM
6	CONNECTOR	1		90' R/FOAM
7	AN205067	CONNECTOR	1		DIODE PACK, 1 AMP
8	CONNECTOR	1		COMPRESSOR
9	CONNECTOR	1		60' R/FOAM
10	CONNECTOR	1		60' L/FOAM
11	CONNECTOR	1		ANTI-SIPHON
12	CONNECTOR	1		HI/LO VALVE
13	CONNECTOR	1		COMPRESSOR RELAY
14	CONNECTOR	1		RIGHT FOAM
15	AN205390	WIRING HARNESS	1		(SUB FOR AN204742) 60/90' FOAMER HARNESS
16	CONNECTOR	1		RH FOAM SWITCH
17	CONNECTOR	1		LH FOAM SWITCH
18	CONNECTOR	1		FOAM HARNESS
19	AN204743	WIRING HARNESS	1		FOAM POSITION HARNESS
20A	AN204744	LABEL KIT	1		(SUB AN207622) SURGE SUPPRESSION
20B	AN207622	LABEL KIT	1		
21	AN204898	WIRING HARNESS	2		

80-77

SOLUTION CONTROLS

ON-BOARD-AIR FOAM MARKER TUBES AND HOSES - CONTINUED (AIR CIRCUIT)(35 GALLON)

KEY	PART NO.	PART NAME	QTY.	SERIAL NO.	REMARKS
1	T18433	ADAPTER FITTING	1		
2	24H1307	WASHER	1		13/32" X 1" X 1/16", INCLUDES GASKET
3	AN205145	CHECK VALVE	2		
4	AN205140	FITTING	2		
5	TUBE	4		
6	AN205190	HOSE FITTING	1		MAKE FROM N208611 3/8" X 65'
7	AN205133	SOLENOID VALVE	1		
8	N30517	THREADED NIPPLE	1		
9	N209444	NUT	1		MAKE FROM N208610 1/4" X 63')
10	AN205134	REGULATOR	1		
	15H558	PIPE PLUG	1		1/8"
11	AN204621	HOSE FITTING	3	-XXXXXX	
	AN206073	HOSE FITTING	3	XXXXXX-	
12	AN204625	HOSE FITTING	1	-XXXXXX	(SUB AN206074)
	AN206074	HOSE FITTING	1	XXXXXX-	
13	AN205137	PRESSURE GAUGE	1		
14	AN204615	UNION FITTING	2	-XXXXXX	
	AN206071	UNION FITTING	2	XXXXXX-	
15	AN204622	HOSE FITTING	1	-XXXXXX	
	AN205630	HOSE FITTING	1	XXXXXX-	
16	19H1996	CAP SCREW	1		1/4" X 2"
17	24H1287	WASHER	1		9/32" X 5/8" X 0.065"
18	12H302	LOCK WASHER	1		1/4"
19	14H786	NUT	1		1/4"
20	A45396	PIPE PLUG	1		
21	AN204665	CONTROL VALVE	2		
22	AN204666	CAP	1		
23	HOSE	8		
24	N208604	FITTING	1		INCLUDES HARDWARE AND GASKET
25	AN204603	HOSE FITTING	1	-XXXXXX	(SUB AN204618 AND AN206075)
	AN204618	UNION FITTING	1	XXXXXX-	(ALSO ORDER AN206075)
26	AN204618	UNION FITTING	1		
27	AN204616	UNION FITTING	3	-XXXXXX	
	AN206072	UNION FITTING	3	XXXXXX-	
28A	N208578	CHECK VALVE	4		(SUB AN208495)
28B	AN208495	CHECK VALVE	4		
29	AN204617	UNION FITTING	1		
30	AN204619	UNION FITTING	1		
31	N308045	CHECK VALVE	4		

80-87

SOLUTION CONTROLS

ON-BOARD-AIR FOAM MIXING CHAMBER - CONTINUED WITH SHUT-OFF VALVE
(DUAL DROP KIT OPTION) (35 GALLON)

KEY	PART NO.	PART NAME	QTY.	SERIAL NO.	REMARKS
1	AN205159	CLAMP	2		CHEMICAL RESISTANT CLAMP
2	N208606	HOSE	1		
3	AN204607	FITTING	1		(INCLUDES SCREENS)
4	N208609	SCREW	6		
5	N208589	HOUSING	1		
6	N208588	GASKET	1		
7	AN204608	STRAINER	1		
8	N208590	HOUSING	1		
9A	N208591	BRACKET	1	-XXXX	
9B	N308697	BRACKET	1	XXXX-	
10	N208608	LOCK NUT	11		
11	N208021	LOCK NUT	2		60' BOOM
12	12H303	LOCK WASHER	2		5/16", 60' BOOM ONLY
13	N207996	WASHER	2		60' BOOM
	N207996	WASHER	2		8.738 X 19.050 X 3.048 MM (11/32" X 3/4" X 0.120") 80/90' BOOM
14	R183M	U-BOLT	1		60' BOOM ONLY
15	N208593	THREADED NIPPLE	1		
16	N208595	HOUSING	1		
17	N303185	DIAPHRAGM	1		(SUB FOR N208596)
18	N208594	HOUSING	1		
19	N208607	SCREW	1		
20	N208609	SCREW	5		
21A	AN205149	HOSE FITTING	1		(SUB AN205630) 60' BOOM, 1/4" X 1/4", STRAIGHT
	AN204612	HOSE FITTING	1		(SUB AN204611) 60' BOOM, 1/4" X 1/4", STRAIGHT
21B	AN205630	HOSE FITTING	1		60' BOOM, 1/4" X 3/8", ELBOW
	AN204611	HOSE FITTING	1		60' BOOM, 1/4" X 3/8", ELBOW
22	AN204612	HOSE FITTING	1		60' BOOM 1/4" X 1/4" ELBOW
23	AN204610	HOSE FITTING	1		60' BOOM 1/4" X 3/8" ELBOW
24	HOSE	1		80/90' BOOM 1/4" X 3/8" STRAIGHT
25	HOSE	1		1/4" NPT X 5/16" TUBE
26A	N208578	CHECK VALVE	2		(SUB AN208495)
26B	AN208495	CHECK VALVE	2		
27	AN204618	UNION FITTING	1		
28	N308045	CHECK VALVE	2		
..	BN202364	COMPLETE GOODS/SHIP. BUNDLE	1		DUAL DROP KIT, FOAM MARKER

PARTS MARKED (A) ARE USED WITHOUT SHUT OFF VALVE.

80-97

SOLUTION CONTROLS

RINSE TANK QUICK FILL - CONTINUED (FROM L.H. SIDE)

KEY	PART NO.	PART NAME	QTY.	SERIAL NO.	REMARKS
1	AN202315	CAP	1		(SUB AA46890)
	AA46890	CAP	1		
2	PM200A	ADAPTER FITTING	1		(SUB FOR N203569)
3	PMSL200-45	ELBOW FITTING	1		
4	N302112	BRACKET	1		
5	PMRN200-150	THREADED NIPPLE	1		(SUB FOR N203567)
6	AN205579	CHECK VALVE	1		
7	PMHB150	FITTING	3		(A) (SUB FOR N202736)
8	AN205161	HOSE CLAMP	4		
9	HOSE	1		(A) 28" - MAKE FROM N205120
10	HOSE	1		(A) 31" - MAKE FROM N205120
	HOSE	1		(B) 6.50" - MAKE FROM N205120
11	19M7835	SCREW	2		M10 X 35
12	E63526	NUT	2		
13	PMHB-150-90	HOSE FITTING	1		(A)
14	PMTEE150	TEE FITTING	1		(SUB FOR A56395)
15	AN161286	LINK CHAIN	1		
16	N302255	LABEL	1		LH RINSE TANK FILL
	N302412	LABEL	1		(SPANISH) LH RINSE TANK FILL
	N302413	LABEL	1		(FRENCH) LH RINSE TANK FILL
	N302414	LABEL	1		(PORTUGUESE) LH RINSE TANK FILL
17	H77698	TIE BAND	1		(A)
18	HOSE	1		(A) 61.50" - MAKE FROM N205120
	HOSE	1		(B) 86" - MAKE FROM N205120
19	N202736	HOSE FITTING	2		
20	PMNIP150-SH	THREADED NIPPLE	1		(B) (SUB FOR N203208)
21	PMSL150-90	ELBOW FITTING	1		(B) (SUB FOR N202743)
..	BN202380	COMPLETE GOODS/SHIP. BUNDLE	1		ORDER THRU COMPLETE GOODS; L.H. RINSE TANK QUICK FILL

PARTS MARKED (A) ARE DEALER INSTALLED ONLY
 PARTS MARKED (B) ARE FACTORY INSTALLED ONLY

85-5

HARDI 60' BOOM

BOOM VALVE - CONTINUED (HARDI 60' BOOM)

KEY	PART NO.	PART NAME	QTY.	SERIAL NO.	REMARKS
1	AN203855	END PLATE	1		
2	R76617	O-RING	AR		(KIT AN203290)
3	AN204927	VALVE STACK	3		(SUB FOR AN203851)
4	R34802	O-RING	AR		(KIT AN203290)
5	AN203292	ELECTRICAL COIL	10		
6	R78056	ELECTRICAL CONNECTOR ASSY	1		6-PIN (PKG. OF 2)
	R78059	ELECTRICAL CONNECTOR ASSY	1		(PKG. OF 40)
	R78058	ELEC. CONNECTOR TERMINAL	1		(PKG. OF 40)
7	RE12366	ELECTRICAL CONNECTOR ASSY	1		6-PIN (PKG. OF 2)
	R78051	SEAL	1		(PKG. OF 5)
	R78059	ELECTRICAL CONNECTOR ASSY	1		(PKG. OF 40)
	R78057	ELEC. CONNECTOR TERMINAL	1		(PKG. OF 40)
8	T138822	ELECTRICAL CONNECTOR ASSY	1		4-PIN
	R78059	ELECTRICAL CONNECTOR ASSY	1		(PKG. OF 40)
	R78058	ELEC. CONNECTOR TERMINAL	1		(PKG. OF 40)
9	R78055	ELECTRICAL CONNECTOR ASSY	1		4-PIN (PKG. OF 2)
	R78059	ELECTRICAL CONNECTOR ASSY	1		(PKG. OF 40)
	R78058	ELEC. CONNECTOR TERMINAL	1		(PKG. OF 40)
10	AN203853	COVER	10		
11	14H856	NUT	10		1/2"
12	AN203852	SOLENOID VALVE	1		
13	AN203850	SOLENOID VALVE	1		
14	AN203854	BRACKET	1		
15	N10212	SELF-LOCKING SCREW	4		5/16" X 3/4"
16	N10213	LOCK NUT	2		5/16"
17	14H786	NUT	4		1/4"
18	12H297	LOCK WASHER	4		1/4"
19	N206742	STUD	4		
20	AN203045	VALVE STACK	1		ORDER INDIVIDUAL COMPONENTS FOR SERVICE
..	AN203290	SEAL KIT	1		
..	AN204928	VALVE SEAT	1		KIT

85-15

HARDI 60' BOOM

BOOM SUSPENSION ARMS - CONTINUED (HARDI 60' BOOM)

KEY	PART NO.	PART NAME	QTY.	SERIAL NO.	REMARKS
1	14M7328	LOCK NUT	1		M16
2	AN202336	ARM	1		RH SUSPENSION
3	AN202327	PIN FASTENER	5		
4	58M5573	LUBRICATION FITTING	2		
5	N203743	BUSHING	12		
6	AN202332	ARM	2		
7	N203745	COMPRESSION SPRING	2		
8	19M8183	CAP SCREW	1		M10 X 90
9	N203746	PIVOT	1		
10	14M7167	LOCK NUT	1		M10
11	14H1080	NUT	4		3/8"
12	AN202337	ARM	1		LH SUSPENSION
13	AN202331	SHOCK ABSORBER	1		

85-25

HARDI 60' BOOM

BRACKETS FOR ATTACHMENT OF HARDI 60' BOOM TO 1998 MODEL YEAR - CONTINUED

KEY	PART NO.	PART NAME	QTY.	SERIAL OR PROD. ID. NO.	REMARKS
1	19M7790	SCREW	4		M12 X 35
2	19M7819	SCREW	12		M12 X 90
3	N207360	PLATE	2		ATTACH TO FRONT CENTER FRAME
4	N207371	BRACKET	2		ATTACH TO FRONT CENTER FRAME
5	14M7518	FLANGE NUT	4		M10
6	AN204156	MAST	2		(INCLUDES R42629) L.H. (SHOWN)
	AN204155	MAST	2		(INCLUDES R42629) R.H.
7	R42629	WASHER	2		
8	28H3380	SPACER	4		
9	19M7809	SCREW	4		M10 X 70
10	H137329	LOCK NUT	16		M12

85-35

HARDI 60' BOOM

NOZZLE TIPS - FRONT FOLD BOOM - CONTINUED

KEY	PART NO.	PART NAME	QTY.	SERIAL NO.	REMARKS
1	AN202268	NOZZLE	1		(A) (D) ORANGE, MARKED 4110-14 (BOX OF 12) (SUB PM99500024 AND PMQER1002)
	AN202269	NOZZLE	1		(A) (D) RED, MARKED 4110-16 (BOX OF 12) (SUB PM99500024 AND PMQER10025)
	AN202270	NOZZLE	1		(A) (D) WHITE, MARKED 4110-18 (BOX OF 12) (SUB PM99500024 AND PMQER1003)
	AN202271	NOZZLE	1		(A) (D) TURQUOISE, MARKED 4110-24 (BOX OF 12) (SUB PM99500024 AND PMQER1005)
	AN202272	NOZZLE	1		(A) (D) YELLOW, MARKED 4110-12 (BOX OF 12) (SUB PM99500024 AND PMQER10015)
	AN202298	NOZZLE	1		(A) (D) LILAC, MARKED 4110-08 (BOX OF 12) (SUB PM99500024, PMFF1001 AND PM990-1)
	AN202299	NOZZLE	1		(A) (D) BROWN, MARKED 4110-10 (BOX OF 12) (SUB PM99500024, PMFF1001 AND PM990-1)
	AN202300	NOZZLE	1		(A) (D) GREEN, MARKED 4110-20 (BOX OF 12) (SUB PM99500024 AND PMQER1004)
	AN202301	NOZZLE	1		(A) (D) BLUE, MARKED 4110-30 (BOX OF 12) (SUB PM99500024 AND PMQER1006)
	AN202302	NOZZLE	1		(A) (D) GRAY, MARKED 4110-36 (BOX OF 12) (SUB PM99500024 AND PMQER1008)
2	AN202425	NOZZLE	1		(B) (E) MARKED 1553-8 (PKG OF 12)
	AN202426	NOZZLE	1		(B) (E) MARKED 1553-10 (PKG OF 12)
	AN202427	NOZZLE	1		(B) (E) MARKED 1553-14 (PKG OF 12)
	AN202428	NOZZLE	1		(B) (E) MARKED 1553-20 (PKG OF 12)
	AN202429	NOZZLE	1		(B) (E) MARKED 1553-30 (PKG OF 12)
3	AN202430	PLATE	1		(B) SWIRL, GRAY (HIGH FLOW, FINE) (PKG OF 12)
	AN202431	PLATE	1		(B) SWIRL, BLUE (LOW FLOW, VERY FINE) PKG OF 12)
4	AN202452	NOZZLE	1		(C) (PKG OF 12) (MARKED 4680-7E) (SUB PM99500024, PMES8001 AND PM990-1)
	AN202453	NOZZLE	1		(C) (PKG OF 12) (MARKED 4680-9E) (SUB PM99500024, PMES8001 AND PM990-1)
	AN202454	NOZZLE	1		(C) (PKG OF 12) (MARKED 4680-11E) (SUB PM99500024, PMES80015 AND PM990-15)
	AN202432	NOZZLE	1		(C) MARKED 4680-13E (PKG OF 12) (SUB PM99500024, PMES8002 AND PM990-2)
	AN202433	NOZZLE	1		(C) MARKED 4680-15E (PKG OF 12) (SUB PM99500024, PMES8003 AND PM990-3)
	AN202434	NOZZLE	1		(C) MARKED 4680-21E (PKG OF 12) (SUB PM99500024, PMES8004 AND PM990-4)
5	AN202435	NOZZLE	1		BLANK. (USE WITH N204795 AND N204853)
6	N204795	CAP	1		(D) (F) NOZZLE TIP (ROUND HOLE) (PKG OF 12) (SUB FOR AN202436)
	AN202437	CAP	1		(D) NOZZLE TIP (RECTANGULAR HOLE) (PKG OF 12)
	N204868	CAP	1		(D) NOZZLE TIP FOR SWIRL PLATE (PKG OF 12)
7	N204853	O-RING	1		(PKG OF 12) (SUB FOR AN202438)
..	DSPM004150	DISPLAY FIXTURE	1		HARDI NOZZLE (ORDER FROM DISTRIBUTION CENTER)
..	AN204114	FITTING	1		USE TO INSTALL HARDI NOZZLE ON TEEJET BODY
..	AN203916	KIT	1		SPRAYCENTER - NOZZLE PARTS (INCLUDES PARTS MARKED (A))

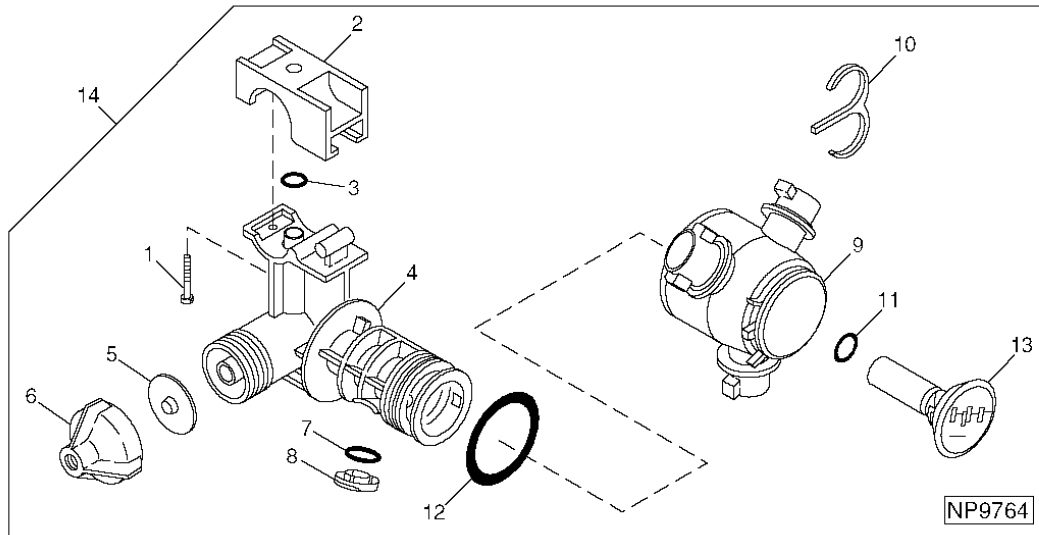
- (A) COLOR TIP_TM 110° FLAT FAN
- (B) HOLLOW CONE (ALSO REQUIRES N204795 AND (N204853 OR AN202260))
- (C) 80° EVEN SPRAY FLAT (ALSO REQUIRES AN202437 AND (N204853 OR AN202260))
- (D) SNAP FIT
- (E) REQUIRES AN202430 OR AN202431
- (F) WILL ACCEPT DELEVAN AND TEE JET NOZZLES

85-45

HARDI 60' BOOM

NOZZLE ASSEMBLY WITH PLASTIC HINGE FOR 3/4" PIPE (1.06 OD) (60 FT. BOOM)

NP9764 -UN-09SEP98



KEY	PART NO.	PART NAME	QTY.	SERIAL NO.	REMARKS
1	N208795	SCREW	1		
2	N208809	HOUSING	1		(SUB AN203328)
3	N205791	O-RING	1		(A)
4	HOUSING	1		(SUB AN203328)
5	N189396	DIAPHRAGM	1		(A)
6	AN183528	CAP	1		
7	O-RING	1		(SUB N208963)
8	N208963	SEAL	1		(A)
9	HOUSING	1		
10	N208793	CLIP	1		
11	O-RING	1		(A)
12	O-RING	1		(A)
13	N208794	PLUG	1		
14	AN203328	NOZZLE	1		60' BOOM
..	AN203399	KIT	1		SEAL REPAIR (INCLUDES PARTS MARKED (A))

90-5

OPERATOR'S PLATFORM AND CAB

MEMORANDA

90-15

OPERATOR'S PLATFORM AND CAB

PRESSURIZER BLOWER AND FILTER - CONTINUED

KEY	PART NO.	PART NAME	QTY.	SERIAL NO.	REMARKS
1	R122672	TUBE	1		
2	19M7077	CAP SCREW	4		M6 X 20
3	24M7100	WASHER	4		6.600 X 22 X 2 MM
4	R133899	GASKET	1		
5	RE70538	BLOWER	1	-XXXXXX	
	RE189031	BLOWER MOTOR	1	XXXXXX-	
6	19M6614	CAP SCREW	5		M6 X 12
7	24M7088	WASHER	5		6.600 X 12 X 1.600 MM
8	T65643	GROMMET	1		
9	R133802	GASKET	1		
10	R136511	AIR DUCT	1		
11	R109545	ISOLATOR	1		
12	19M7163	CAP SCREW	6		M8 X 25
13	24M7055	WASHER	6		8.400 X 16 X 1.600 MM
14	M84972	NUT	6		
15	16M7099	RIVET	3		5 MM
16	24M7087	WASHER	3		5.500 X 10 X 1 MM
17	R125856	HOUSING	1		
18	RE199681	ACTIVATED CARBON AIR FILTER	1		FRESH AIR
19	R131394	WING NUT	1		
20	RE191036	HOUSING	1		(SUB FOR RE66697)
21	40M7068	SNAP RING	1		
22	H23823	WASHER	1		
23	R184800	SEALING WASHER	1		
24	R115690	COVER	1	-XXXXXX	
	R184437	COVER	1	XXXXXX-	
25	R117889	NUT	1		
26	RE186168	COVER	1	XXXXXX-	
27	RE186685	RETAINER	1	XXXXXX-	

90-25

OPERATOR'S PLATFORM AND CAB

FLOOR - CONTINUED

KEY	PART NO.	PART NAME	QTY.	SERIAL NO.	REMARKS
1	37M7089	SCREW	12		M6 X 12
2	R122015	PLATE	1		
3	R167959	RISER	1		RH. (SUB FOR R116292)
	R167960	RISER	1		LH INNER, (SUB FOR R116290)
4	N205959	FOOTREST	1		
5	37M7079	SCREW	1		
6	R120515	PLATE	1		
7	R132404	SUPPORT	1		

90-35

OPERATOR'S PLATFORM AND CAB

AIR SEAT RIDE KITS - CONTINUED

KEY	PART NO.	PART NAME	QTY.	SERIAL NO.	REMARKS
1	RE65693	FILTER KIT	1		
2	RE65695	SEAT SHOCK ABSORBER KIT	1		SEAT SUSPENSION
3	RE52549	COMPRESSOR VALVE KIT	1		
4	RE52553	SEAT SHOCK ABSORBER KIT	1		FORE-AFT ATTENUATOR
5	RE52550	WIRING HARNESS	1	-4650	
	AN204892	WIRING HARNESS	1	4651-	(SUB RE52550)
6	RE52554	SEAT SHOCK ABSORBER KIT	1		LATERAL ATTENUATOR
7	RE65694	AIR SPRING SEAT KIT	1		
8	RE60717	RIDE ZONE PROTECTOR KIT	1	-4650	
9	AN205460	WIRING HARNESS	1	4651-	

90-45

OPERATOR'S PLATFORM AND CAB

ARMREST SKIRTS AND SUPPORT - CONTINUED

KEY	PART NO.	PART NAME	QTY.	SERIAL NO.	REMARKS
1	N204746	COVER	1		RH SKIRT
2	37M7089	SCREW	1		M6 X 12
3	N204747	COVER	1		LH SKIRT
4	19M8017	CAP SCREW	2		M12 X 20
5	19M7938	CAP SCREW	1		M10 X 20
6	N204246	CHANNEL	1		SUPPORT
7	E63527	NUT	2		M12
8	E63526	NUT	1		M10
9	19M7864	SCREW	4		M8 X 12
10	21M7265	SCREW	4		M5 X 12

90-55

OPERATOR'S PLATFORM AND CAB

COWL ASSEMBLY - CONTINUED



KEY	PART NO.	PART NAME	QTY.	SERIAL NO.	REMARKS
1	R154889	COVER	1		(SUB FOR R126025) FOR SERVICE FURNISH: (1) R241156 AND (1) R241158 IF WITHOUT ETHER AID OR (1) R241156 AND (1) R241157 IF EQUIPPED WITH ETHER AID
2	R126026	COVER	1		FOR SERVICE FURNISH: (1) R241156 AND (1) R241158 IF WITHOUT ETHER AID OR (1) R241156 AND (1) R241157 IF EQUIPPED WITH ETHER AID
3	R123973	COVER	1		
4	R52130	LOCK NUT	18		
5	37H203	SCREW	18		
6	R111632	KNOB	1		
7	RE157244	LOUVER	3		(SUB FOR RE45293)
8	R123975	LOUVER	1		RH
	R123976	LOUVER	1		LH
9	R123974	COVER	1		LH
10	R116913	LOUVER	1		
11	R50499	SCREW	1		
12	R168902	PAD	1	XXXX-	L.H.
	R170076	PAD	1	XXXX-	R.H.

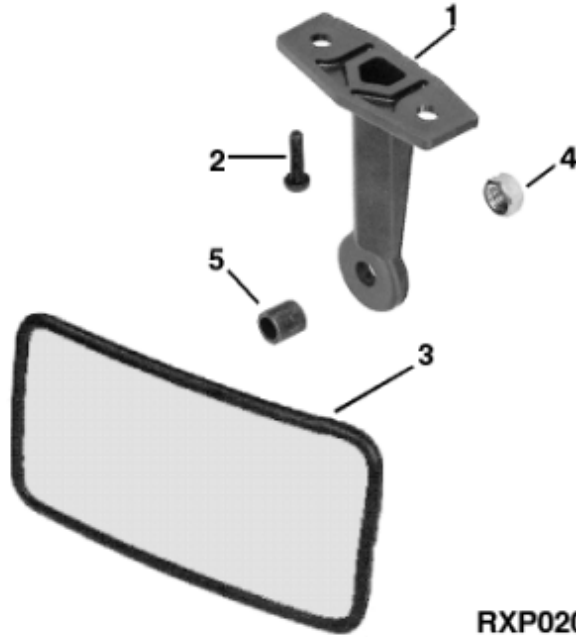
90-65

OPERATOR'S PLATFORM AND CAB

INSIDE REAR VIEW MIRROR

RXP020279

-UN-01JAN94



RXP020279

KEY	PART NO.	PART NAME	QTY.	SERIAL NO.	REMARKS
1	L113657	RETAINER	1		(SUB L75379 AND 28H3450)
	L75379	RETAINER	1		
2	R128728	SCREW	2		
3	RE52660	REAR VIEW MIRROR	1		
4	14H785	NUT	1		5/16"
5	28H3450	SPACER	1		0.364" X 0.540" X 1/2". (USE WITH L75379)
	24M7260	WASHER	1		(USE WITH L113657)

90-75

OPERATOR'S PLATFORM AND CAB

WINDSHIELD - CONTINUED

KEY	PART NO.	PART NAME	QTY.	SERIAL NO.	REMARKS
1	R135979	WINDOWPANE	1		(SUB FOR R134278)
2	R119890	SUPPORT	3		
3	R81456	SCREW	15		
4	R115367	ADJUSTING STRAP	2		
5	37M7092	SCREW	2		M8 X 16
6	RE54810	ISOLATOR	1		
7	R115196	SEAL	1		(SUB R232304)
	R232304	SEAL	1		
8	R151139	SUPPORT	2		(SUB R212331)
	R212331	SUPPORT	2		
9	R161886	SCREW	4		(SUB FOR R111616)
10	24M7055	WASHER	4		8.400 X 16 X 1.600 MM
11	14M7166	LOCK NUT	4		M8

90-85

OPERATOR'S PLATFORM AND CAB

LEFT-HAND DOOR - CONTINUED (XXXX -)

KEY	PART NO.	PART NAME	QTY.	SERIAL NO.	REMARKS
1	RE210096	HANDLE	1		
2	RE228688	SEAL	3		(SUB FOR R206158)
3	12M7032	LOCK WASHER	3		8.400 MM
4	L58890	WASHER	11		
5	R131261	WASHER	3		
6	19M7866	SCREW	4		M8 X 20
7	R237474	BALL STUD	1		(SUB FOR R97588)
8	RE234989	GAS OPERATED CYLINDER	1		(SUB FOR RE44680)
9	R84529	RETAINER	1	-XXXXXX	(USE WITH RE44680 OR RE58715)
10	R210099	DOOR	1		
11	L78851	BUSHING	3		
12	19M8323	SCREW	3		M8 X 40
13	L78703	CAP	3		
14	L77652	SEALING WASHER	6		
15	Z22491	WASHER	3		
16	RE208272	HINGE	1		
17	RE46587	HINGE	1		(SUB AL71322)
18	RE208274	HINGE	1		
19	R124309	COVER	1		
20	R210137	WASHER	4		
21	19M9356	SCREW	4		M8 X 30

100-3

MAIN FRAME AND CHASSIS

MAIN FRAME AND SUPPORTS - CONTINUED

KEY	PART NO.	PART NAME	QTY.	ENGINE SERIAL NO.	REMARKS
1	AN202611	SUPPORT	1	-1999	REAR PLATFORM
	AN204065	SUPPORT	1	2000-	
2	AN202561	SUPPORT	1		FRONT CAB
3	AN203310	FRAME	1		MAIN, (SUB AN203943 AND AN204431)
	AN203943	FRAME	1		
	AN204431	LIFT ARM	1		(INCLUDES N208172 OR N302717) (DECAL)
4	19M7793	SCREW	14		M16 X 40
5	14M7291	FLANGE NUT	14		M16
6	N205468	ROD	1	-1999	RH HOSE GUIDE
	N205469	ROD	1	-1999	LH HOSE GUIDE
7	11M7084	COTTER PIN	6		5 X 25 MM
8	N205125	HANGER	2	-1999	HOSE SUPPORT
9	AN203243	BRACKET	1		VALVE AND FILTER SUPPORT
10	19M7788	SCREW	3		M12 X 25
11	CONDUIT	2		HOSE GUARD, (MAKE FROM E91143)
..	N208172	LABEL	1		CAUTION - ACCUMULATOR
..	AN205359	KIT	1	110-6000	MAINFRAME REINFORCEMENT

100-13

MAIN FRAME AND CHASSIS

RIGHT-HAND PLATFORM AND HANDRAILS - CONTINUED

KEY	PART NO.	PART NAME	QTY.	SERIAL NO.	REMARKS
1	AN203070	HANDRAIL	1		(A) (C)
2	AN203069	HANDRAIL	1	-1999	(SUB AN204096)
	AN204096	HANDRAIL	1	2000-	RIGHT FRONT
3	19M8528	SCREW	6		M10 X 55
4	R111382	WASHER	6		CURVED
5	14M7400	LOCK NUT	AR		M10
6	19M7810	SCREW	1		(B) M10 X 80
7	H143834	NUT	1		CLIP
8	19M7785	SCREW	AR		M10 X 25
9	37M7086	SCREW	6		M10 X 20
10	AN204091	PLATFORM	1		(SUB FOR AN203707) INCLUDES DECAL
	N272929	LABEL	1		"DO NOT RIDE"
11	N205239	BRACKET	1		
12	AN203708	BRACKET	1		(INCLUDES DECAL)
13	N207412	HANDRAIL	1		(B)
14	N205527	PLATE	1		(LESS RINSE TANK)
15	19M7785	SCREW	2		M10 X 25
..	N203310	LABEL	1		"EXHAUST HEAT WARNING"

(A) USE WITH 60' BOOM

(B) USE WITH 60'/80' OR 60'/90' BOOM

(C) USE WITH LESS BOOM

100-23

MAIN FRAME AND CHASSIS

REAR SUSPENSION - CONTINUED (LEFT HAND ILLUSTRATED)

KEY	PART NO.	PART NAME	QTY.	SERIAL NO.	REMARKS
1	N204123	BRACKET	1		
2	14M7300	FLANGE NUT	1		M20
3	E63527	NUT	1		M12
4	AN202547	VALVE	1		AIR SPRING
5	N205543	ANGLE	1	-1999	POINTER, LH
	AN204272	POINTER	1		(SUB FOR N207347)
	N205542	ANGLE	1	-1999	POINTER, RH
	AN204271	POINTER	1		(SUB FOR N207346)
6	19M7407	CAP SCREW	2		M8 X 25
7	N205541	ANGLE	1	-1999	(SUB N207345)
	N207345	ANGLE	1		
8	19M7833	SCREW	2		M6 X 35
9	24H1287	WASHER	2		9/32" X 5/8" X 0.065"
10	14M7397	LOCK NUT	2		M6
11	14M7416	FLANGE NUT	2		M8
12	AN205362	ABSORBER	1		AIR SPRING, (SUB FOR AN202513) (INCLUDES VALVE)
13	19M7892	CAP SCREW	2		M20 X 80
14	N204148	WASHER	2		
15	N204212	SHAFT KEY	2		
16	N204095	STEERING ARM	1		
17	N206022	BUSHING	4		
18	N206270	LINK	2		SCISSOR, (SUB FOR N204091)
19	N206048	SHIM	AR		
20	N205319	PIN	1		
21	11M7032	COTTER PIN	6		5 X 50 MM
22	24H1471	WASHER	6		1-9/64" X 1-3/4" X 0.134"
23	14M7181	NUT	6		M24
24	N205320	PIN	2		
25	N206023	BUSHING	1		
26	19M7789	SCREW	4		M12 X 30
27	AN202546	BUMPER	2		
28	19M7774	SCREW	4		M6 X 12
29	N204088	ARM	2		SUPPORT
30	19M8295	CAP SCREW	6		M16 X 55
31	N205359	CAP SCREW	2		
32	24M7097	WASHER	8		17 X 28 X 2.500 MM
33	N206072	SPINDLE	1		
34	N205581	SPACER	1		
35	N204145	BRACKET	1		MOTOR MOUNT
36	N204149	SHIM	1		
37	N206030	BUSHING	8		
38	24M7251	WASHER	4		6.400 X 18 X 1.600 MM
39	SOLID SHIM	AR		
40	AN204591	KIT	1		SHIM KIT (INCLUDES (11) SHIMS AND (2) KEYS)

100-33

MAIN FRAME AND CHASSIS

CROP SHIELDS - CONTINUED

KEY	PART NO.	PART NAME	QTY.	SERIAL NO.	REMARKS
1	N206059	BRACKET	1		
2	19M7785	SCREW	22		M10 X 25
3	E63526	NUT	20		M10
4	N205747	PIN FASTENER	17		
5	A15147	SPRING LOCKING PIN	17		
6	N206020	BRACKET	7		
7	03M7190	BOLT	6		M10 X 20
8	N206031	BRACKET	3		
9	AN203464	CHANNEL	1		(SUB AN205019)
	AN205019	SHIELD	1		
10	AN203411	SHIELD	1		
11	AN203413	SHIELD	1		UNDERFRAME SHIELDS
12	AN203477	CHANNEL	1		
13	AN205516	CHANNEL	1		
14	H143834	NUT	8		CLIP
15	N206056	ANGLE	1		
16	N206393	HINGE	2		HINGE
..	BN202071	COMPLETE GOODS/SHIP. BUNDLE	1		UNDERFRAME SHIELDS

100-43

MAIN FRAME AND CHASSIS

BOOM TRANSPORT BRACKETS - CONTINUED (60/80' AND 60/90' BOOM)

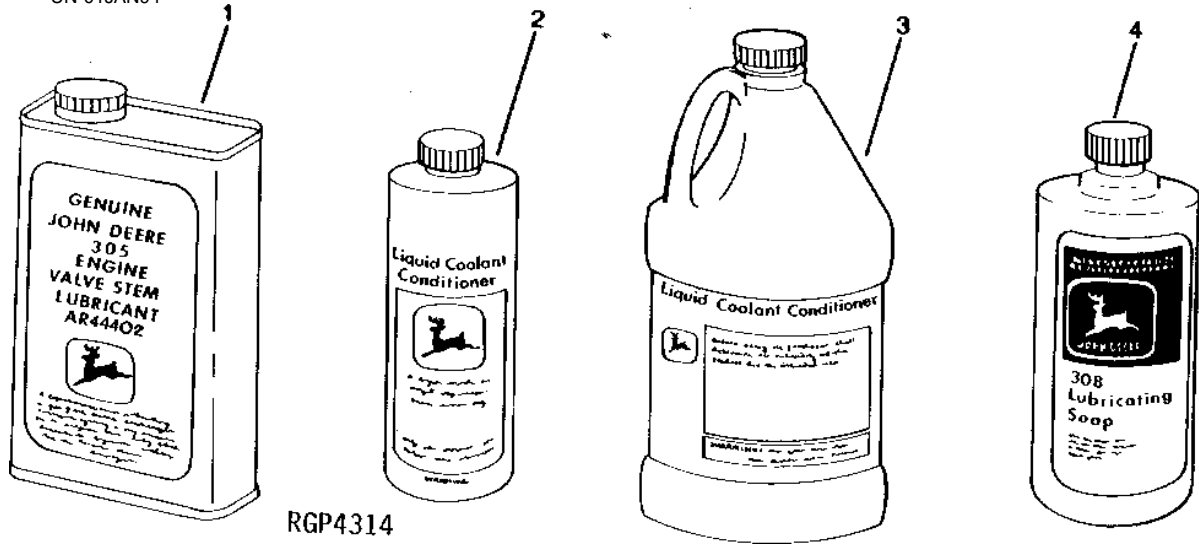
KEY	PART NO.	PART NAME	QTY.	SERIAL NO.	REMARKS
1	AN204020	BRACKET	1		L.H.
	AN204051	BRACKET	1		R.H.
2	AN204839	SUPPORT	1		L.H. (SUB FOR AN204017)
	AN204838	SUPPORT	1		R.H. (SUB FOR AN204018)
3	AN204019	BRACKET	2		
4	N209703	BUMPER	2		(SUB FOR N207489)
5	AN204340	ADJUSTING STRAP	2		
6	19M7837	SCREW	4		M12 X 110
7	14M7401	LOCK NUT	8		M12
8	19M7838	SCREW	4		M12 X 130
9	19M8610	SCREW	4		M16 X 110
10	14M7328	LOCK NUT	16		M16
11	19M7845	SCREW	12		M16 X 90
12	19M8162	SCREW	6		M10 X 40
13	14M7400	LOCK NUT	4		M10

110-1

DECALS

ACCESSORY PARTS-ANTIFREEZE, COOLANT CONDITIONER, AND TEST KITS

RGP4314 -UN-01JAN94



RGP4314

KEY	PART NO.	PART NAME	QTY.	ENGINE SERIAL NO.	REMARKS
1	AR44402	OIL	1		0.9 L (1 QT)
2	TY16004	ENGINE COOLANT CONDITIONER	1		
3	TY16005	ENGINE COOLANT CONDITIONER	1		(NOT AS SHOWN)
4	AR54749	LUBRICANT	1		0.9 L (1 QT)
..	AT66865	LUBRICANT	1		(ELECTRICAL CONNECTIONS) (NOT SHOWN)
..	TY24311	SEALANT	1		(USE WITH RG27867)
..	AR41785	KIT	1		(CONTAINS 0.9 L (1 QT) (OFF-SEASON STORAGE)
..	AR21969	KIT	1		(DUSTCAP/COVER KIT)
..	DS0251	KIT	1		(COOLANT SCAN TEST)
..	IPSKIT1	KIT	1		(OIL SCAN TEST)
..	DS0557	VALVE	1		(SAMPLING SYSTEM)
..	TY16423	LEVEL GAUGE	1		(COOLANT EYE - FILL OR FLUSHING PORT)
..	TY16034	ANTIFREEZE	1		(1 GAL) (CONCENTRATE)
..	TY16035	ANTIFREEZE	1		(55 GAL) (CONCENTRATE)
..	TY16036	ANTIFREEZE	1		(2 1/2 GAL CONTAINER) (PRE-MIX)
..	TY16037	ANTIFREEZE	1		(55 GAL CONTAINER) (PRE-MIX)
..	AT180344	KIT	1		(DIESEL FUEL TEST SCAN)

110-11

DECALS

DECALS - CONTINUED

KEY	PART NO.	PART NAME	QTY.	SERIAL NO.	REMARKS
1	N208632	LABEL	1		CAUTION (VENT TANK PRESSURE)
	N208633	LABEL	1		(SPANISH) CAUTION (VENT TANK PRESSURE)
	N208634	LABEL	1		(FRENCH) CAUTION (VENT TANK PRESSURE)
2	N208617	LABEL	1		IMPORTANT (TANK VENT VALVE)
	N208618	LABEL	1		(SPANISH) IMPORTANT (TANK VENT VALVE)
	N208619	LABEL	1		(FRENCH) IMPORTANT (TANK VENT VALVE)
3	R155602	SAFETY SIGN	1		CAUTION - "PROLONGED EXPOSURE TO PESTICIDES CAN CAUSE INJURY OR DEATH"
	R155603	SAFETY SIGN	1		(SPANISH) CAUTION - "PROLONGED EXPOSURE TO PESTICIDES CAN CAUSE INJURY OR DEATH"
	R155604	DECAL	1		(FRENCH) CAUTION - "PROLONGED EXPOSURE TO PESTICIDES CAN CAUSE INJURY OR DEATH"
4	N208852	LABEL	1		FOAMER TUBE PORTS
5	N209334	LABEL	1		IMPORTANT - "DRAIN MOISTURE FROM AIR TANK DAILY."
	N209338	LABEL	1		(SPANISH) IMPORTANT - "DRAIN MOISTURE FROM AIR TANK DAILY."
	N209339	LABEL	1		(FRENCH) IMPORTANT - "DRAIN MOISTURE FROM AIR TANK DAILY."
6	N209177	LABEL	1		CAUTION - "AIR DRYER EXHAUST AT HIGH PRESSURE."
	N209335	LABEL	1		(SPANISH) CAUTION - "AIR DRYER EXHAUST AT HIGH PRESSURE"
	N209336	LABEL	1		(FRENCH) CAUTION - "AIR DRYER EXHAUST AT HIGH PRESSURE."
7	N209455	LABEL	1		CAUTION - "HELP AVOID INJURY FROM FALLING MACHINE WHILE JACKING:..."
	N209457	LABEL	1		(SPANISH) CAUTION - "HELP AVOID INJURY FROM FALLING MACHINE WHILE JACKING:..."
	N209458	LABEL	1		(FRENCH) CAUTION - "HELP AVOID INJURY FROM FALLING MACHINE WHILE JACKING:..."
8	N209456	LABEL	1		OPERATING INSTRUCTIONS TO JACK MACHINE
	N209460	LABEL	1		(SPANISH) OPERATING INSTR. TO JACK MACHINE
9	N209461	LABEL	1	6116-	(FRENCH) OPERATING INSTR. TO JACK MACHINE
	N209525	LABEL	1		"SUCTION STRAINER - CLEAN AS REQUIRED"
	N209527	LABEL	1		(SPANISH) "SUCTION STRAINER - CLEAN AS REQUIRED"
	N209528	LABEL	1		(FRENCH) "SUCTION STRAINER - CLEAN AS REQUIRED"

NUMERICAL INDEX - CONTINUED

PART NO.	KEY	PAGE	PART NO.	KEY	PAGE	PART NO.	KEY	PAGE
AN205299	7	100-7	AN205563	3	75-69	AN205817	33	75-19
AN205310	1	80-64	AN205570	..	80-30	AN205832	4	40-1
AN205319	33	50-33	AN205571	..	80-22	AN205833	3	40-1
AN205348	19	100-9	AN205572	3	85-41	AN205845	6A	75-75
AN205359	..	100-3	AN205572	7	85-43	AN205845	6B	75-75
AN205362	4	100-17	AN205578	41	70-11	AN205915	25A	80-7
AN205362	12	100-23	AN205578	41	70-13	AN205915	25B	80-7
AN205363	2	40-10	AN205578	1	70-26	AN205915	11A	80-21
AN205368	5	90-51	AN205578	1	70-27	AN205915	11B	80-21
AN205372	5	80-3	AN205579	6	80-97	AN205915	17	80-22
AN205372	8	80-3	AN205579	26	80-99	AN205915	..	80-22
AN205374	14	75-64	AN205580	1	70-36	AN205916	17	80-22
AN205374	17	75-67	AN205585	7	80-91	AN205916	..	80-22
AN205377	26	65-29	AN205586	9	70-26	AN205916	26	80-101
AN205377	31B	75-19	AN205606	1	80-101	AN205924	..	80-22
AN205390	15	80-67	AN205607	5	80-99	AN205970	1	65-20
AN205405	32	50-17	AN205612	2	75-53	AN205970	1	65-21
AN205405	8	50-25	AN205612	2	75-54	AN205970	7	65-25
AN205414	10	100-41	AN205612	4	75-57	AN205970	5	65-30
AN205415	2	100-41	AN205613	2	75-53	AN205970	5	85-1
AN205430	26	80-51	AN205613	2	75-54	AN205970	18	85-7
AN205458	17	85-47	AN205613	4	75-57	AN205970	7	85-11
AN205460	9	90-35	AN205622	2	40-35	AN205971	3	70-17
AN205470	26	65-29	AN205623	1	40-35	AN205971	2	70-30
AN205470	31B	75-19	AN205630	2	80-61	AN205971	..	70-30
AN205471	2	70-30	AN205630	11	80-61	AN205971	5	100-15
AN205471	5	100-15	AN205630	2	80-73	AN205972	23	70-15
AN205472	..	70-30	AN205630	4	80-75	AN205972	15	70-17
AN205477	..	70-30	AN205630	15	80-77	AN205972	2	70-30
AN205478	..	70-30	AN205630	3	80-79	AN205972	..	70-30
AN205483	5	80-51	AN205630	3	80-81	AN205972	3	100-21
AN205486	1	50-2	AN205630	24A	80-83	AN205973	15A	75-9
AN205492	19	75-33	AN205630	24B	80-83	AN205973	..	75-9
AN205501	15	65-29	AN205630	21A	80-87	AN205974	15A	75-8
AN205501	15	75-19	AN205630	21B	80-87	AN205974	..	75-8
AN205502	3	75-41	AN205641	20	75-6	AN205976	21	60-11
AN205503	8	75-43	AN205641	1	75-25	AN205976	3	60-13
AN205512	9	75-45	AN205641	19B	75-49	AN205976	..	60-13
AN205516	13	100-33	AN205642	17	75-2	AN205976	30	100-17
AN205517	..	75-67	AN205642	..	75-2	AN205984	10	65-5
AN205517	..	85-47	AN205642	1	75-27	AN205984	21	65-11
AN205525	4	100-35	AN205642	1	75-29	AN205984	..	65-11
AN205526	4	100-35	AN205642	5	75-49	AN205984	1	65-13
AN205527	14	40-35	AN205643	17	75-4	AN205984	1	65-15
AN205528	9	40-35	AN205643	..	75-4	AN205985	18	65-10
AN205533	3	80-99	AN205643	1	75-27	AN205985	..	65-10
AN205534	4	80-99	AN205643	1	75-29	AN205985	1	65-17
AN205537	40	70-11	AN205643	5	75-49	AN205985	1	65-19
AN205537	40	70-13	AN205644	17	75-7	AN206043	4	80-45
AN205537	26	80-21	AN205644	1	75-31	AN206071	6	80-63
AN205537	47	80-25	AN205644	1	75-33	AN206071	6	80-65
AN205537	47	80-27	AN205644	9	75-53	AN206071	5	80-71
AN205537	7	80-45	AN205650	30B	75-49	AN206071	10	80-75
AN205538	5	80-45	AN205651	10A	75-49	AN206071	14	80-77
AN205539	6	80-45	AN205651	10B	75-49	AN206071	7	80-79
AN205548	1	75-57	AN205654	31B	75-49	AN206071	7	80-81
AN205549	1	75-57	AN205659	41	70-11	AN206072	7	80-63
AN205550	17	75-2	AN205659	41	70-13	AN206072	7	80-65
AN205550	..	75-2	AN205659	1	70-27	AN206072	5	80-73
AN205550	1	75-29	AN205660	11	80-101	AN206072	15	80-75
AN205551	17	75-4	AN205689	9	80-64	AN206072	27	80-77
AN205551	..	75-4	AN205725	18	80-65	AN206073	2	80-71
AN205551	1	75-29	AN205741	32	105-3	AN206073	11	80-71
AN205562	17	85-46	AN205767	3	80-99	AN206073	8	80-75
AN205563	14	75-63	AN205817	33	65-29	AN206073	11	80-77
AN205563	14	75-65	AN205817	34	65-29	AN206073	5	80-79
AN205563	15	75-66	AN205817	31A	75-19	AN206073	5	80-81

120-19

4700 SELF-PROPELLED SPRAYER

NUMERICAL INDEX - CONTINUED

PART NO.	KEY	PAGE	PART NO.	KEY	PAGE	PART NO.	KEY	PAGE
N206742	19	85-5	N207039	16B	80-37	N207282	2	75-69
N206746	12	75-60	N207039	7	80-41	N207282	2	75-70
N206746	15	75-68	N207040	7	80-41	N207283	23	85-29
N206750	31	85-19	N207041	35	80-35	N207283	1	85-41
N206751	31	85-19	N207041	16A	80-37	N207284	4	75-77
N206752	32	85-19	N207041	7	80-41	N207285	8	75-77
N206778	23	75-49	N207061	6	30-43	N207286	12	75-77
N206778	17	75-53	N207062	29	50-17	N207300	17	75-77
N206796	27	65-29	N207063	9	50-17	N207305	13A	80-9
N206796	23	75-19	N207063	9	50-19	N207311	62	80-3
N206796	10	75-79	N207063	12	50-25	N207311	4	80-27
N206840	42	80-35	N207063	12	50-27	N207311	16	80-27
N206887	11	50-33	N207064	5	50-17	N207311	5	80-37
N206888	13	50-31	N207064	5	50-19	N207316	29	80-5
N206888	13	50-33	N207065	2	50-17	N207318	19	65-3
N206889	14	50-31	N207065	2	50-19	N207322	2	80-55
N206889	14	50-33	N207066	13	50-17	N207322	1	80-57
N206890	23	50-31	N207066	13	50-19	N207323	2	80-57
N206894	19	50-25	N207067	14	50-17	N207329	..	80-93
N206894	19	50-27	N207067	14	50-19	N207331	..	80-93
N206897	12	50-25	N207068	15	50-17	N207333	..	80-93
N206897	12	50-27	N207068	15	50-19	N207334	..	80-93
N206903	1	60-13	N207099	7	110-7	N207335	..	80-93
N206932	2	80-7	N207143	14	65-5	N207336	..	80-93
N206932	3	110-7	N207144	11	65-9	N207338	..	80-93
N206933	2	80-7	N207145	3	65-9	N207341	12	75-43
N206933	3	110-7	N207146	7	60-17	N207344	33	80-7
N206934	2	80-7	N207147	20	60-17	N207345	7	100-23
N206934	3	110-7	N207148	5	60-17	N207346	5	100-23
N206941	17	75-43	N207180	7	65-7	N207347	5	100-23
N206942	10	75-43	N207180	18	75-57	N207349	34	80-7
N206956	1	80-7	N207181	10	75-51	N207349	4	110-9
N206961	2	80-43	N207206	54	80-3	N207360	3	85-25
N206962	3	80-43	N207207	53	80-3	N207361	34	80-7
N206963	5	80-43	N207215	20	80-55	N207361	3	110-7
N206964	7	80-43	N207258	7	75-63	N207368	32	80-7
N206965	4	80-43	N207258	7	75-64	N207371	4	85-25
N206966	6	80-43	N207260	16	75-60	N207382	30	50-19
N206970	1	80-43	N207260	16	75-61	N207384	29	50-19
N206980	13	65-3	N207260	8	75-68	N207387	2	50-19
N207030	35	80-35	N207260	8	75-69	N207407	16	75-57
N207030	16A	80-37	N207260	8	75-70	N207408	17	75-57
N207030	16B	80-37	N207263	10	75-60	N207411	12	100-11
N207030	3	80-41	N207263	10	75-61	N207412	13	100-13
N207033	35	80-35	N207263	8	75-63	N207413	13	110-9
N207033	16A	80-37	N207263	8	75-64	N207414	16	110-7
N207033	1	80-41	N207263	13	75-68	N207415	13	110-9
N207034	35	80-35	N207263	13	75-69	N207416	16	110-7
N207034	16A	80-37	N207263	13	75-70	N207417	28	75-49
N207034	16B	80-37	N207269	16	100-9	N207417	11	75-53
N207034	2	80-41	N207271	2	80-9	N207424	18	75-43
N207035	35	80-35	N207272	2	80-9	N207428	10	65-25
N207035	16A	80-37	N207272	15	80-9	N207428	10	85-11
N207035	16B	80-37	N207273	22	65-9	N207429	12	65-25
N207035	11	80-41	N207274	23	65-9	N207429	12	85-11
N207036	35	80-35	N207275	11	100-27	N207432	31	100-9
N207036	16A	80-37	N207276	11	100-27	N207438	22	75-43
N207036	4	80-41	N207279	2	75-68	N207448	2	75-68
N207036	10	80-41	N207279	2	75-69	N207448	2	75-69
N207037	35	80-35	N207279	2	75-70	N207448	2	75-70
N207037	16A	80-37	N207280	2	75-68	N207450	2	110-5
N207037	16B	80-37	N207280	2	75-69	N207451	2	110-5
N207037	5	80-41	N207280	2	75-70	N207489	4	100-43
N207038	35	80-35	N207281	2	75-68	N207489	5	100-44
N207038	16A	80-37	N207281	2	75-69	N207498	1	75-49
N207038	16B	80-37	N207281	2	75-70	N207498	2	75-49
N207038	6	80-41	N207282	2	75-68	N207499	1	75-49

120-29

4700 SELF-PROPELLED SPRAYER

NUMERICAL INDEX - CONTINUED

PART NO.	KEY	PAGE	PART NO.	KEY	PAGE	PART NO.	KEY	PAGE
RE68217	15	105-5	R104846	3	90-73	R113050	20	90-11
RE68327	7	40-19	R104919	3	40-45	R113050	18	90-13
RE68495	3	40-64	R104919	15	90-73	R113164	11	30-9
RE68619	16	30-23	R105581	12	90-38	R113164	12	40-37
RE68695	9	20-25	R106147	6	40-40	R113189	17	100-31
RE68715	18	20-65	R106252	1	90-67	R113189	19	100-31
RE68722	11	20-65	R106821	7	20-39	R113237	26	100-31
RE68748	4	30-27	R107414	3	40-52	R113246	11	100-31
RE68748	4	30-29	R107477	4	40-39	R113246	14	100-31
RE68748	2	30-33	R107478	2	40-39	R113338	12	100-29
RE68766	9	30-16	R107548	13	60-7	R113390	4	100-31
RE68899	3	30-27	R107551	1	60-8	R113562	21	30-25
RE69034	14	90-7	R107552	2	60-8	R113563	22	30-25
RE69149	7	90-59	R107561	8	60-5	R113565	9	30-25
RE69150	1	90-59	R107563	3	60-7	R114081	1	20-17
RE69195	5	20-63	R107567	13	60-5	R114081	3	20-17
RE69243	1	20-42	R107598	5	40-12	R114082	2	20-17
RE69275	23	20-63	R107598	4	60-5	R114082	2	20-18
RE69369	29	30-3	R107731	11	20-25	R114083	1	20-17
RE69791	16	30-23	R107749	10	20-65	R114193	20	20-10
RE69791	26	30-29	R107749	26	105-5	R114194	23	20-10
RE70153	6	20-43	R107820	5	20-67	R114241	17	20-3
RE70212	4	30-19	R107823	2	90-37	R114241	17	20-5
RE70285	15	30-31	R107890	1	60-3	R114569	16	60-5
RE70358	6	30-23	R107957	3	100-29	R114820	4	90-64
RE70358	19	30-23	R107965	16	100-31	R114820	23	90-79
RE70358	11	30-25	R107970	16	100-31	R114841	3	60-3
RE70358	20	30-25	R108038	23	70-33	R114843	13	30-3
RE70370	3	30-39	R108038	19	70-35	R114844	10	40-25
RE70370	3	30-40	R108077	13	90-77	R114917	4	40-38
RE70473	12	40-27	R108077	18	90-81	R115196	7	90-75
RE70538	5	90-15	R108077	18	90-83	R115250	1	20-58
RE70679	6	40-27	R108166	24	40-61	R115252	10	20-51
RE70682	7	40-27	R108166	24	40-63	R115252	10	20-53
RE70756	1	40-27	R108180	16	20-63	R115289	2	40-25
RE70786	16	30-23	R108314	16	90-19	R115350	5	90-61
RE70848	3	30-29	R109545	11	90-15	R115367	4	90-75
RE70959	12	40-27	R109863	12	20-10	R115390	15	20-3
RE70959	7	40-30	R110296	12	70-19	R115390	15	20-5
RE70962	15	20-59	R110408	6	90-61	R115690	24	90-15
RE70985	14	20-59	R110531	1	30-39	R115742	6	90-1
RE70985	16	20-59	R110939	5	100-31	R115743	4	90-4
RE71121	1	20-29	R110941	5	100-31	R115760	4	30-9
RE71143	10	20-43	R111137	10	20-3	R115832	23A	100-31
RE71214	2	90-16	R111137	10	20-5	R115833	19	100-31
RE71215	1	90-16	R111289	21	100-31	R115850	1	80-17
RE71256	8	40-27	R111290	12	100-31	R115850	15	100-31
RE71392	13	40-27	R111290	14	100-31	R115857	24	100-31
RE71433	28	90-11	R111382	46	80-7	R115945	2	40-51
RE71527	6	20-41	R111382	29	100-7	R115968	14	40-55
RE71557	11	40-12	R111382	3	100-10	R116076	4	20-10
RG27867	..	110-1	R111382	3	100-11	R116116	14	30-29
R100369	14	20-59	R111382	4	100-13	R116290	3	90-25
R100369	14	20-60	R111570	22	90-79	R116292	3	90-25
R100508	2	40-29	R111616	9	90-75	R116296	2	20-41
R100509	10	40-29	R111632	7	90-19	R116297	3	20-41
R100511	11	40-29	R111632	6	90-55	R116366	5	30-37
R100512	16	40-29	R111662	33	20-63	R116386	1	20-30
R100513	9	40-29	R111774	14	60-7	R116386	20	30-27
R10093	3	90-7	R111774	4	60-8	R116386	24	30-29
R10093	26	90-7	R112544	14	100-29	R116466	12	20-3
R10093	3	90-16	R112545	14	100-29	R116466	12	20-5
R101225	11	20-10	R11278	3	40-65	R116516	12	20-21
R101225	14	20-10	R112828	7	90-86	R116516	8	20-23
R104592	5	20-3	R113042	8	40-51	R116516	8	20-24
R104592	5	20-5	R113042	2	40-53	R116913	10	90-55
R104592	5	20-21	R113050	4	90-7	R117033	2	90-79

CLICK HERE TO **DOWNLOAD** THE COMPLETE MANUAL

- Thank you very much for reading the preview of the manual.
- You can download the complete manual from: www.heydownloads.com by clicking the link below



- Please note: If there is no response to CLICKING the link, please download this PDF first and then click on it.

CLICK HERE TO **DOWNLOAD** THE COMPLETE MANUAL