

HIDROMEK

**KAZICI YÜKLEYİCİ
BACKHOE LOADER**



HMK 102B

 **energyseries**

**YEDEK PARÇA KATALOĞU
SPARE PARTS CATALOG**

YAYIN NO: 1

BASKI NO/EDITION NO: 30

BASKI TARİHİ/EDITION DATE: 06/06/2008

KATALOG NO/CATALOG NO: Y10/12525

SERİ NO/SERIAL NO: 110000

CLICK HERE TO **DOWNLOAD** THE COMPLETE MANUAL

- Thank you very much for reading the preview of the manual.
- You can download the complete manual from: www.heydownloads.com by clicking the link below



- Please note: If there is no response to CLICKING the link, please download this PDF first and then click on it.

CLICK HERE TO **DOWNLOAD** THE COMPLETE MANUAL

4 PART DRAWING DRAWING OF PARTS WITH ITEM NUMBERS

- Drawing in rectangle (frame) defines an assembly and parts in the rectangle belongs to the assembly.
- The parts or the item numbers of the parts that are positioned out of the frame are not included in the assembly.
- Added parts or the parts that are no longer use are illustrated with serial numbers
- Orientation to a related page is available

5 NO ITEM NUMBER GIVEN TO EACH PART

6 PART NO HİDROMEK NUMBER GIVEN TO EACH PART

7 DESCRIPTION NAME OF THE PART OR ASSEMBLY

8 QTY QUANTITY OF PARTS USED IN RELATED PAGE

- ' * ' : Means 'as required'

9 SC SERVICE CODE

CODES AND THEIR EXPLANATIONS

RK	LIST CODE : This code is used by catalog preparation.
SOP	NON SERVICE PART : - If this code is given to an assembly, only the parts in the assembly can be ordered - If this code is given to a part which belongs to an assembly, it can be ordered with assembly
OP	OPTINAL : Optional part or group determined by the customer or producer
A	ALTERNATIVE : This is the part that can be used instead of the original part
(K)	KIT : Service part kit
K	PART IN THE KIT : The part in the service part kit
GK	AS REQUIRED : Quantity changes according to the machine
B	DEPEND : Part is component of an assembly and can not be ordered seperately

10 SERIAL NO VALID SERIAL NUMBER OF THE PARTS OR ASSEMBLIES

- For engine, transmission and axles pages, serial number of these components can be given instead of Hidromek machines.

11 ICA INTERCHANGEABILITY

- Code given in the new part row indicates the interchangeability relation between the old and new part

CODES AND THEIR EXPLANATIONS

B	Parts are <u>interchangeable</u>
Y	<u>New part</u> can be used <u>instead of old part</u> , but not vice versa
X	Parts <u>can not</u> be used <u>instead</u> of eachother
G	<u>A group</u> can be used <u>instead of old part</u> . Group members has same number.
Y-G	<u>New part</u> can be used <u>instead of old part only with a group</u>
B-G	Parts are <u>interchangeable only with group</u>
E	New added and <u>can be added</u> to the previous machines for quality improvement

12 NOTE INFORMATION ABOUT PARTS

13  ORIENTATION TO THE RELATED PAGE FOR INFORMATION, USAGE OF PART OR REVISION

14 NOTE NOTE GIVEN IN THE BOTTOM OF THE PAGE

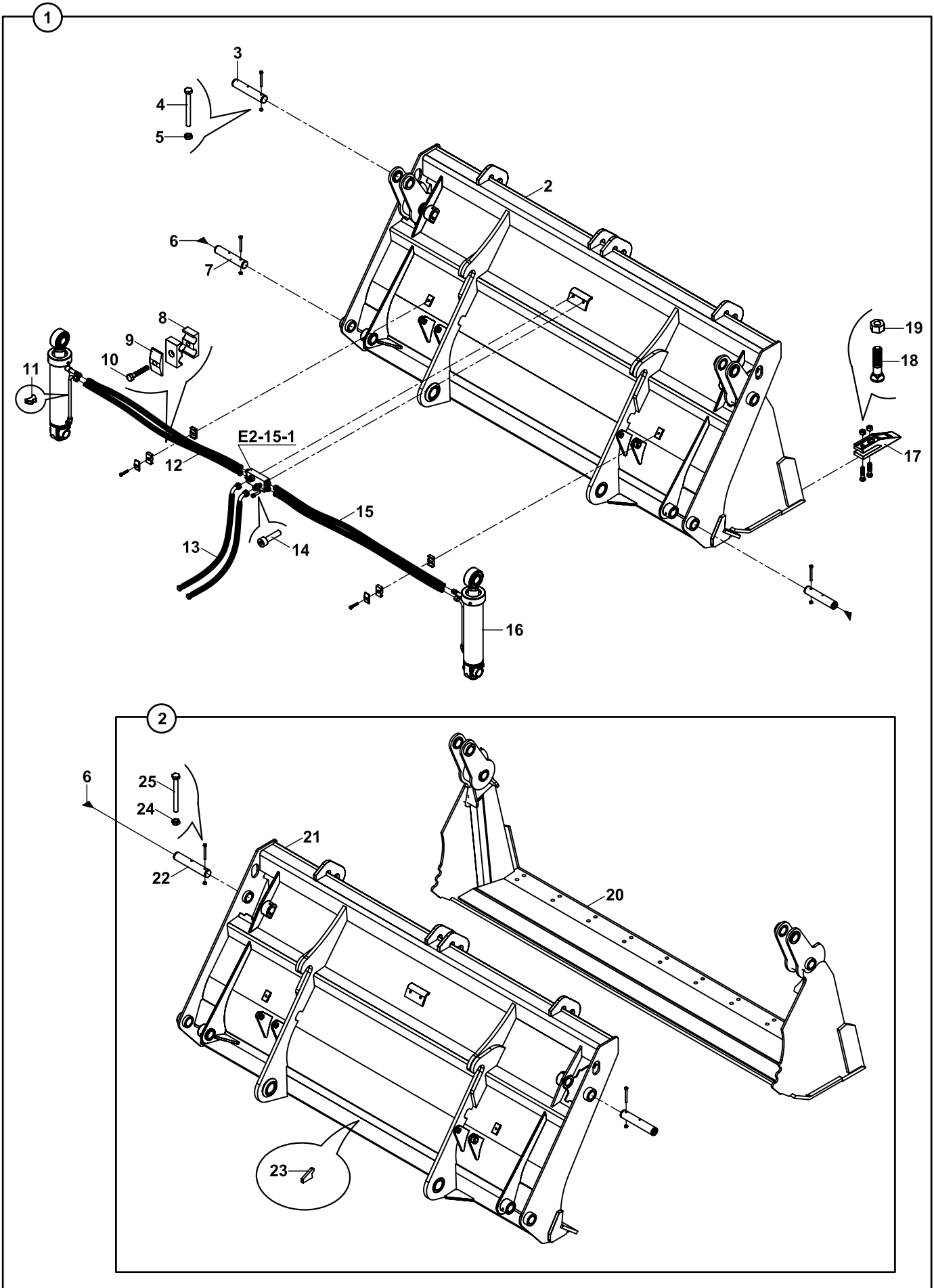
A	ATTACHMENTS
----------	--------------------

A1	LOADER ATTACHMENTS
A1-1-1	SHOVEL, CLAM, 4 IN 1 MULTIPURPOSE
A1-1-1-OP	SHOVEL, CLAM, MULTIPURPOSE, FOR QUICK COUPLER
A1-2-1	SHOVEL
A1-3-1	SHOVEL, FORKLIFT MOUNTED
A1-4-1	SHOVEL, CLAM, FORKLIFT MOUNTED
A1-5-1	QUICK COUPLER, LOADER
A1-6-1-OP1	LEVELLING, BLADE
A1-6-1-OP2	LEVELLING, BLADE, QUICK COUPLER
A1-6-1-OP3	LEVELLING, BLADE, WITH TWO AXIS TURN
A1-7-1-OP1	LOG FORK, 2+1 CLAMP
A1-7-1-OP2	LOG FORK, WITH VERTICAL MOVEMENT
A2	BACKHOE ATTACHMENTS
A2-1-1	BUCKET, BACKHOE
A2-2-1-1-OP1	BREAKER, LIFTON, LH 360
A2-2-1-1-OP3	BREAKER, MONTABERT- 140
A2-2-1-1-OP4	BREAKER, MONTABERT- 95
A2-2-1-1-OP5	BREAKER, DEMO S700V
A2-2-1-1-OP6	BREAKER, DEMO DMB70
A2-2-1-1-OP7	BREAKER, MONTABERT- SC36
A2-2-1-2-OP1	BREAKER, LIFTON, LH 360
A2-2-1-2-OP2	BREAKER, TOKU, TNB 6M
A2-2-1-2-OP3	BREAKER, MONTABERT- 140
A2-2-1-2-OP4	BREAKER, MONTABERT- 95
A2-2-1-2-OP5	BREAKER, DEMO S700V
A2-2-1-2-OP6	BREAKER, DEMO DMB70
A2-3-1-OP1	AUGER
A2-3-1-OP2	AUGER
A2-4-1	RIPPER
A2-5-1	SITILTING BUCKET
A2-6-1	QUICK COUPLER, BACKHOE

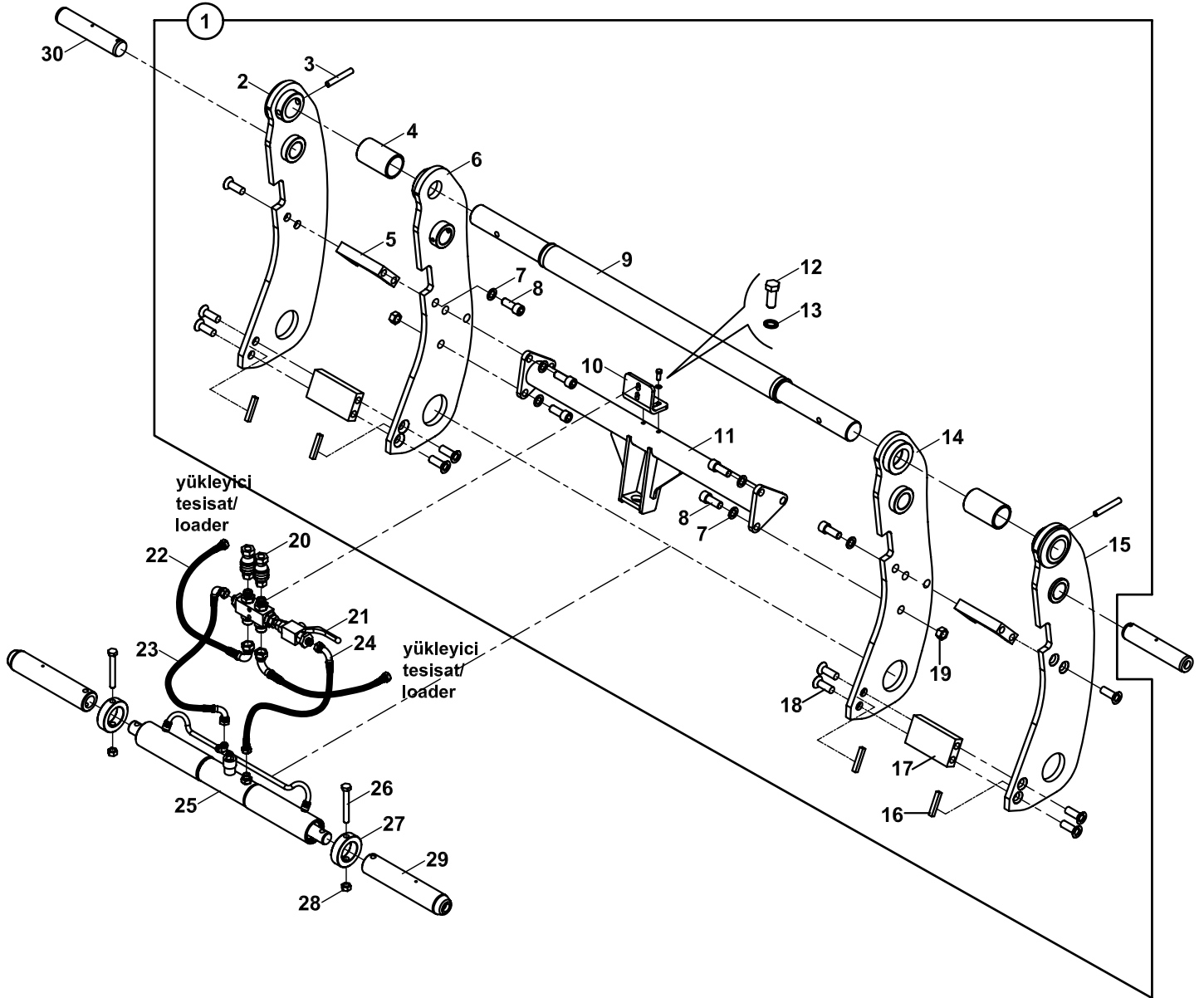
B	BODY PARTS
----------	-------------------

B1	BODY PARTS MOUNTINGS
B1-1-1	CHASSIS
B1-2-1	BONNET- ENGINE PANEL- NOSE GUARD- BUMPER- FRONT GRILLE CHASSIS MOUNT.
B1-2-2	PANEL, ENGINE, RIGHT SIDE
B1-2-3	PANEL, ENGINE, LEFT SIDE
B1-2-4	BONNET
B1-3-1	CHASSIS AND HYDRAULIC COMPONENTS MOUNTINGS
B1-4-1	CHASSIS - CAB - ENGINE MOUNTINGS
B1-5-1	TANK, HYDRAULIC
B1-7-1	TANK, FUEL
B1-8-1	AXLE - CHASSIS MOUNTINGS
B1-9-1-OP1	FENDERS
B1-9-1-OP2	FENDERS, 102B+PLUS
B2	OPERATOR CAB
B2-1-1-OP1	OPERATOR CAB, LEVERS MECHANISM
B2-1-1-OP2	OPERATOR CAB, JOYSTICK MECHANISM
B2-1-1-OP3	OPERATOR CAB, LEVERS MECHANISM, SAFIM/ CARLISLE BRAKE
B2-1-1-OP4	OPERATOR CAB, JOYSTICK MECHANISM, SAFIM/ CARLISLE BRAKE
B2-1-2	DOOR AND WINDOW, SIDE, RIGHT
B2-1-3	DOOR AND WINDOW, SIDE, LEFT
B2-1-4	WINDOWS, FRONT - REAR

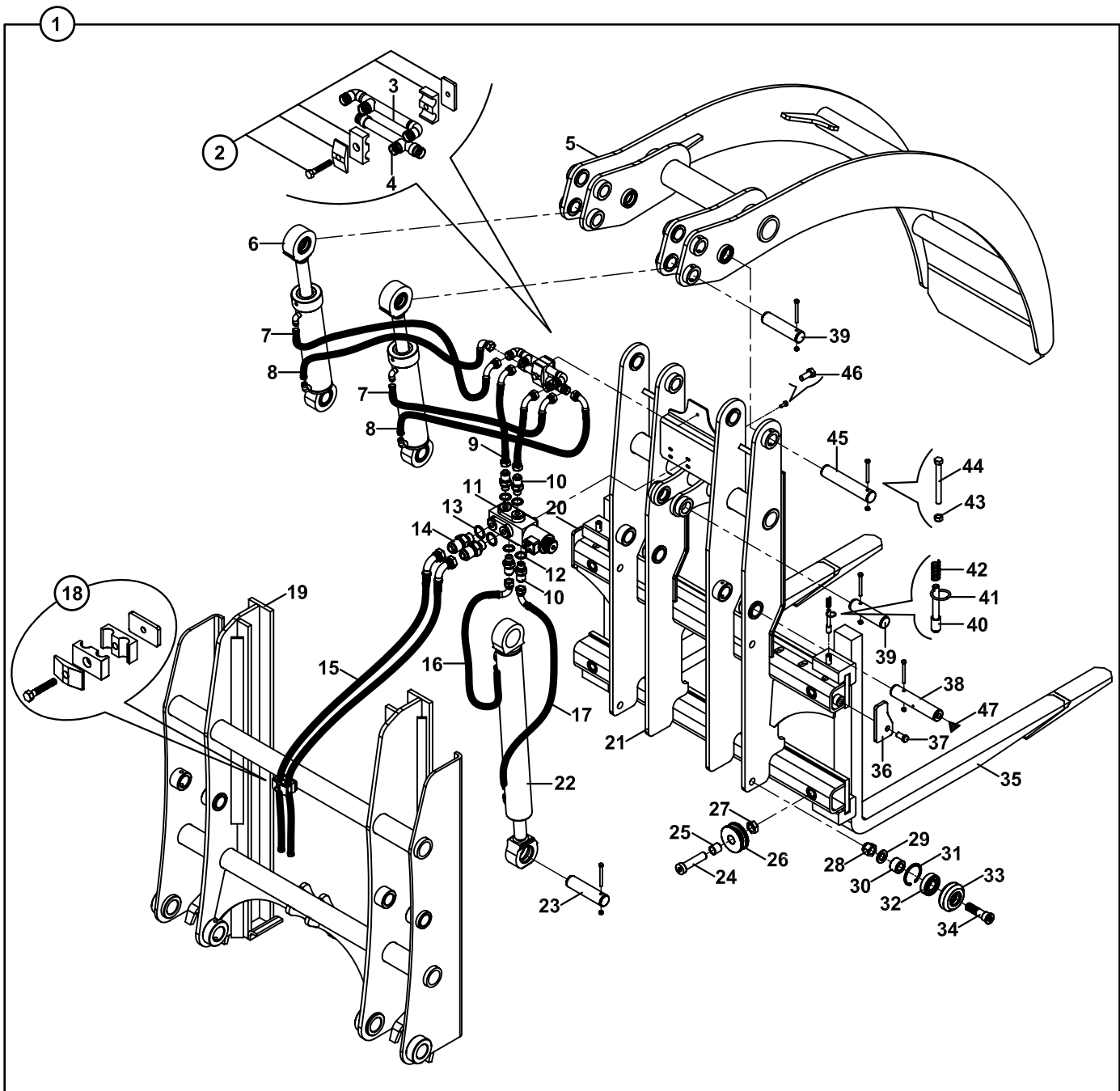
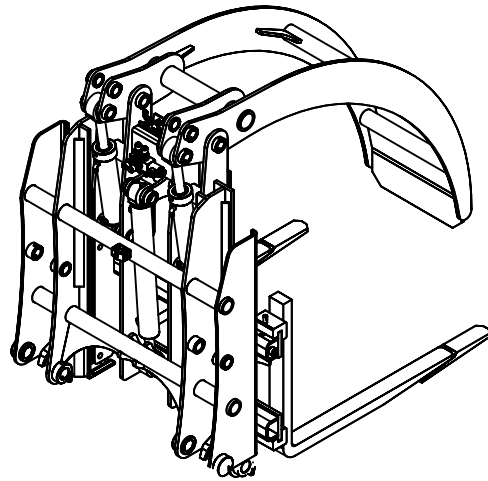
KEPÇE, AÇILIR, ÇABUK SÖK-TAK
 SHOVEL, CLAM, MULTIPURPOSE, FOR QUICK COUPLER



ÇABUK SÖK TAK, YÜKLEYİCİ QUICK COUPLER, LOADER



**TOMRUK YÜKLEYİCİ, HAREKETLİ
LOG FORK, WITH VERTICAL MOVEMENT**



KIRICI, LİFTON, LH 360
BREAKER, LIFTON, LH 360

NO NO	PARÇA NO PART NO	TANIM	DESCRIPTION	ADET QTY	S.K. S.C.	SERİ NO SERIAL NO	D.T. ICA	NOT NOTE
	* V011/10				RK			
1	075/00021	KIRICI MONTAJI, LIFTON, LH 360	BREAKER, ASSY, LIFTON, LH360	1				
2	098/00041	YAN SAC-SOL	SIDE PLATE, LEFT	1				
3	098/00051	YAN SAC-SAG	SIDE PLATE, RIGHT	1				
4	F45/01030	LIFTON KIRICI, LH 360	LIFTON BREAKER, LH 360	1				
5A	F45/01060	KIRICI UCU SIVRI	CHISEL, SHARP	1				
5B	F45/01065	KIRICI UCU DÜZ	CHISEL, FLAT	1				
6	801/01015	TIRNAK PIMI (S45/01295)	CHISEL PIN	1				
8	810/02100	MESAFE BORUSU	SPACE PIPE	2		110001 - 110***		
	020/21278	MESAFE BORUSU	SPACE PIPE	2		110*** -		
10	N01/5872090	CIVATA M20x80	BOLT, M20x80	8				
11	S27/00001	ÖZEL RONDELA	SPECIAL WASHER	16				
12	020/11040	MUHAFAZA SACI	PROTECTION PLATE	1				
13	N01/0222846	CIVATA M12x30	BOLT, M12x30	4				
14	098/90065	HORTUM TUTUCU	HOSE HOLDER	1				NB+KT+AKV, TB+KT, NB+KT+ BU+AKV
	098/90066	HORTUM TUTUCU	HOSE HOLDER	1				NB+KT, EKKV
15	N01/0223602	CIVATA, M16x50	BOLT, M16x50	1				
16	N03/1170029	RONDELA, 16	WASHER, 16	1				
17	806/24226	NIPEL	ADAPTER	1				
18	806/24226	NIPEL	ADAPTER	1				NB+KT+AKV
	806/24227	NIPEL	ADAPTER	1				NB+KT+EKKV
	806/03127	ÇEKVALF ALT NİPELİ	LOWER ADAPTER	1				TB+KT, NB+KT+ BU+AKV
19	F18/90500	ÇEK VALF 3/4"	CHECK VALVE	1				TB+KT, NB+KT+ BU+AKV
20	806/24126	ÇEKVALF ÜST NİPELİ	UPPER ADAPTER	1				TB+KT, NB+KT+ BU+AKV
21	666/4426190	HORTUM ,SOL	HOSE,LEFT	1				NB+KT+AKV, NB+KT+BU+ AKV
	666/4426210	HORTUM ,SOL	HOSE,LEFT	1				TB+KT
22	665/3326190	HORTUM , SAG	HOSE,LEFT	1				NB+KT+AKV, NB+KT+BU+ AKV
	665/3326210	HORTUM , SAG	HOSE,LEFT	1				TB+KT
23	N07/2022000	KELEPÇE Ø22	HOSE CLAMP	2				
24	N01/0370710	CIVATA M10x75	BOLT M10x75	2				
25	N03/2500016	PUL, M12	WASHER, M12	4				
27	N01/0381754	CIVATA M20x60	BOLT M20x60	4		110***		
28	N03/3000080	PUL M20	WASHER M20	4		110***		

**KIRICI, DEMO DMB70
BREAKER, DEMO DMB70**

NO NO	PARÇA NO PART NO	TANIM	DESCRIPTION	ADET QTY	S.K. S.C.	SERİ NO SERIAL NO	D.T. ICA	NOT NOTE
	V011/10/22				RK			
1	S45/15041	YAN SAC	SIDE BRACKET	1				
2	S45/15042	BAĞLANTI PLAKASI	FRAME	2				
3	S45/15043	DURDURUCU	STOPPER	2				
4	S45/15044	CİVATA M24x250	BOLT M24x250	6				
5	S45/15045	PUL M24	WASHER M24	6				
6	S45/15046	SOMUN M24	NUT M24	6				
7		KIRICI, DEMO DMB70	BREAKER, DEMO DMB70	1				A2-2-1-2-OP6
8	N03/0000025	PUL	WASHER	2				
9	806/24230	NİPEL	ADAPTER	1				
10	806/24126	NİPEL	ADAPTER	1				
11	666/44M1180	HORTUM	HOSE	1				
12	665/33M1180	HORTUM	HOSE	1				

**KIRICI, TOKU, TNB 6M
BREAKER, TOKU, TNB 6M**

NO NO	PARÇA NO PART NO	TANIM	DESCRIPTION	ADET QTY	S.K. S.C.	SERİ NO SERIAL NO	D.T. ICA	NOT NOTE
	F45/02960							
1	S45/02998	SİLİNDİR KOMPLE	CYLINDER CP	1	(K1)			
2	S45/03000	SİLİNDİR	CYLINDER	1	K1			
4	S45/02982	TAPA	HEX, PLUG	1	K1			
5	S45/02980	TAPA	HEX, PLUG	1	K1			
6	S45/02922	HELİKOİL	HELISERT	8	K1			
8	S45/03002	KAPAK, SİLİNDİR	CYLINDER COVER	1				
9	S45/02980	TAPA	HEX, PLUG	2				
12	S45/03004	PİSTON	PISTON	1				
13	S45/03006	TUTUCU KOMPLE, KIRICI UCU	CHISEL HOLDER CP	1	(K2)			
14	S45/03007	TUTUCU, KIRICI UCU	CHISEL HOLDER	1	K2			
15	S45/02924	HELİKOİL	HELISERT	4	K2			
16	S45/02978	TAPA	HEX, PLUG	1	K2			
17	S45/02992	TAPA	PLUG	1	K2			
19	S45/02996	BURÇ, KIRICI UCU	CHISEL BUSHING	1	K2			
20	S45/02994	BURÇ, TUTUCU, KIRICI UCU	CHISEL HOLDER BUSHING	1	K2			
21	S45/02926	O-RİNG	O-RING	1	K3			
23	S45/02988	TAPA, TUTUCU PİM	RETAINER PIN STOPPER PLUG	5	K2			
24	S45/03010	TUTUCU PİM	RETAINER PIN	2				
25	S45/03012	DURDURUCU PİM	STOPPER PIN	5	K2			
29	S45/02984	GRESÖRLÜK	GREASE NIPPLE	1	K2			
30	S45/02990	TAPA, TUTUCU PİM	RETAINER PIN PLUG	2				
34	S45/02900	KİT, CONTA	SEAL KIT	1				
35	S45/03020	BURÇ, SIKIŞTIRMA	PACKING BUSHING	1				
36	S45/02960	GAZ KEÇESİ	GAS SEAL	1	K3			
37	S45/02962	YAĞ KEÇESİ	OIL SEAL	1	K3			
38	S45/02968	DESTEK HALKASI	SLIDE RING S	1	K3			
42	S45/02938	O-RİNG	O-RING	2	K3			
43	S45/02940	O-RİNG	O-RING	1	K3			
46	S45/02964	YAĞ KEÇESİ	OIL SEAL	1	K3			
47	S45/02958	TOZ KEÇESİ	DUST SEAL	1	K3			
52	S45/02938	O-RİNG	O-RING	2	K3			
53	S45/02932	O-RİNG	O-RING	2	K3			
54	S45/02952	DESTEK HALKASI	BACK UP RING	2	K3			
55	S45/03032	TAPA, SİLİNDİR	CYLINDER PLUG	1				
56	S45/02942	O-RİNG	O-RING	1	K3			
57	S45/02928	O-RİNG	O-RING	1	K3			
58	S45/02948	DESTEK HALKASI	BACK UP RING	1	K3			
59	S45/03030	TAPA, SİLİNDİR	CYLINDER PLUG	1				
60	S45/02944	O-RİNG	O-RING	1	K3			
61	S45/02930	O-RİNG	O-RING	1	K3			
62	S45/02950	DESTEK HALKASI	BACK UP RING	1	K3			
65	S45/03036	SAPLAMA	SIDE BOLT	4				
66	S45/02986	SAPLAMA HALKASI	SIDE BOLT RING	4				
67	S45/02976	SAPLAMA SOMUNU	SIDE BOLT NUT	4				
70	S45/03038	VALF	CONTROL VALVE	1				
71	S45/03022	VALF KUTUSU	CONTROL VALVE BOX	1				
72	S45/03024	KAPAK, VALF KUTUSU	CONTROL VALVE CAP	1				
73	S45/03040	TAPA	CHOKE PLUG	1				
74	S45/02934	O-RİNG	O-RING	2	K3			
75	S45/02954	DESTEK HALKASI	BACK UP RING	2	K3			
76	S45/02936	O-RİNG	O-RING	1	K3			
77	S45/02956	DESTEK HALKASI	BACK UP RING	1	K3			
80	S45/02974	CİVATA	HEX BOLT	4				
81	S45/02970	PUL	WASHER	4				
82	S45/02972	CİVATA	HEX BOLT	8				

KIRICI, MONTABERT- 95
BREAKER, MONTABERT- 95

NO NO	PARÇA NO PART NO	TANIM	DESCRIPTION	ADET QTY	S.K. S.C.	SERİ NO SERIAL NO	D.T. ICA	NOT NOTE
63	S45/14198	SOMUN	NUT	4				
64	S45/14314	KEÇE TAKIMI	SEAL PACKAGE	1	(K1)			

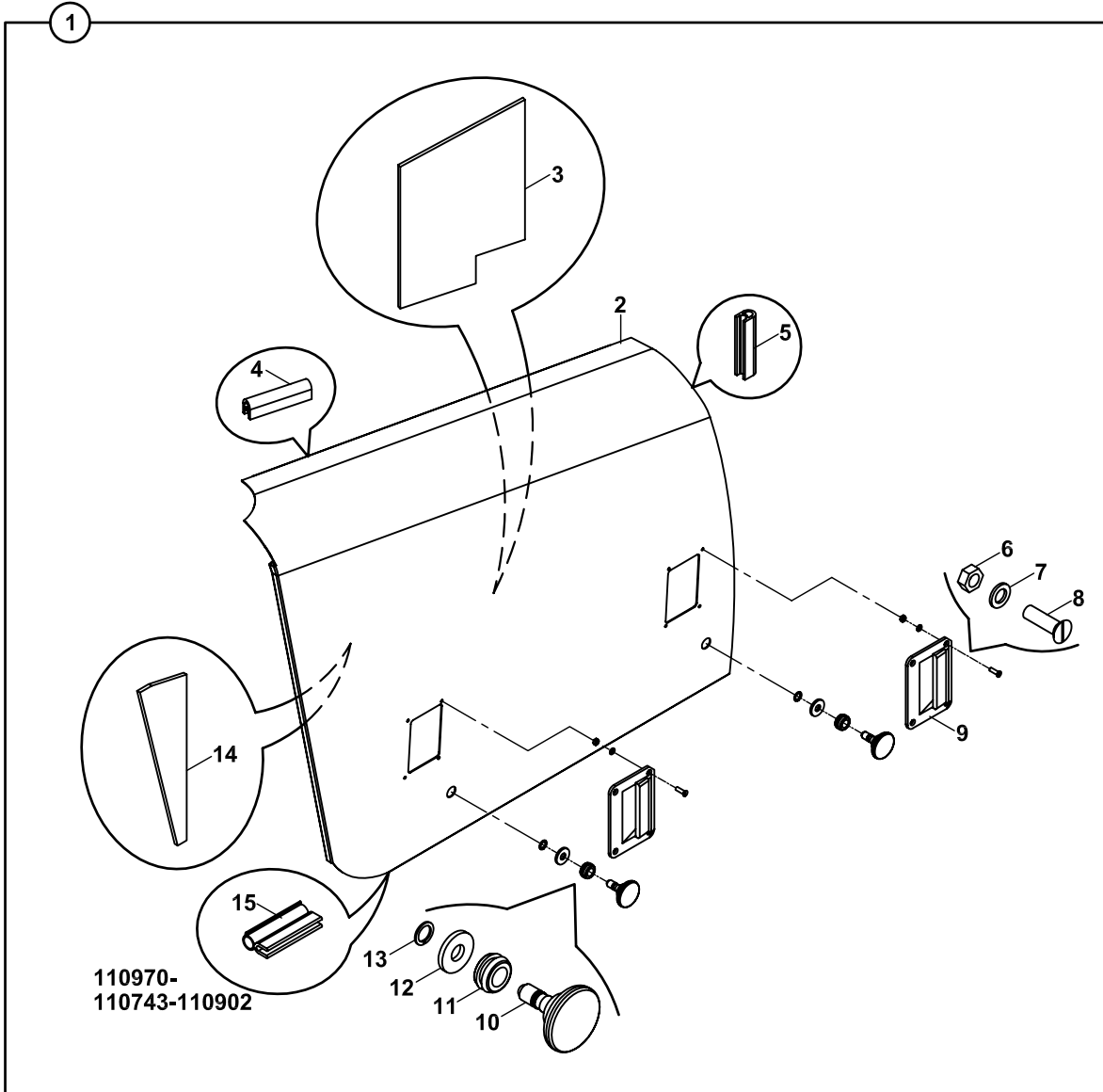
**BURGU
AUGER**

NO NO	PARÇA NO PART NO	TANIM	DESCRIPTION	ADET QTY	S.K. S.C.	SERİ NO SERIAL NO	D.T. ICA	NOT NOTE
	* V005/06/40				RK			
1	078/00010	BURGU KOMPLESİ	AUGER, ASSY	1				
2	078/10000	BURGU MESNETİ	BRACKET, ASSY	1				
3	078/10001	BURGU MESNETİ	BRACKET, ASSY	1				
4	078/20000	ÜST GÖVDE	BRACKET, UPPER	1				
5	811/01008	ŞAPKALI PİM	PIN, PIVOT	2				
6	N08/1210020	GRESÖRLÜK	GREASE NIPPLE	2				
7	811/01040	ŞAPKALI PİM	PIN, PIVOT	2				
8	N03/2500016	RONDELA Ø12	WASHER	4				
9	N01/0222798	CİVATA M12x20	BOLT M12x20	2				
10	078/90020	GÖVDE BAGLANTI YATAGI	CONNECTOR, JOINT	1				
11	805/00685	PUL	WASHER	2				
12	N01/0222822	CİVATA M12x25	BOLT M12x25	2				
13	078/20500	ALT GÖVDE	BRACKET, LOWER	1				
14	N02/5900122	SOMUN M12	NUT M12	10				
15	N03/1170025	RONDELA Ø12	WASHER, Ø12	10				
16	N01/0370866	CİVATA M12x50	BOLT M12x50	10				
17	806/03075	NİPEL	ADAPTER	2				
	806/24026	NİPEL	ADAPTER	2	A			
18	N03/0221252	PUL Ø21xØ25x2	WASHER Ø21xØ25x2	2				
19	N01/5871178	CİVATA M12x35	BOLT M12x35	4				
	N01/0222858	CİVATA M12x35	BOLT M12x35	4	A			
20	F49/02000	HİDROLİK MOTOR	MOTOR, HYDRAULIC	1				
21	N50/0100108	KAMA	WEDGE	1				
22	F49/01070	DİSLİ KUTUSU, PLANET	GEAR BOX, PLANETARY	1				
23	N05/0020090	SEGMAN	RETAINING RING	1				
24	F49/01090	KAPLİN	COUPLING	1				
25	N05/0220071	SEGMAN	RETAINING RING	1				
26	801/10070	PİM	PIN	1				
27	020/10320	TUTMA HALKASI	RING, CONNECTOR	1				
28	N99/3334012	ZİNCİR	CHAIN	1				
29	N06/3004064	MAŞALI PİM	PIN	1				
30	078/20600	BURGU	AUGER	1				
31	N01/1660097	CİVATA M12x35	BOLT M12x35	4				
32	020/20340	BIÇAK	CUTTER	1				
33	N02/3560242	SOMUN M12	NUT M12	4				
34	020/20341	BIÇAK	CUTTER	1				
35	665/3321190	HORTUM	HOSE	2				
36	N03/0100023	PUL	WASHER	4				
37	F49/02090	TAMİR TAKIMI	SEAL KIT	1				
38	F49/02030	RULMAN	BEARING	1				
39	F49/02010	KEÇE	SEAL	1				
40	F49/02021	KEÇE	SEAL	1				
41	S49/01100	MİL	ROD	1				
42	S49/01185	VİDA	SCREW	5				
43	S49/01190	PUL	WASHER	5				
44	S49/01115	KAPAK	COVER	1				
45	S49/01130	ORİNG	O-RING	1				
46	S49/01165	TAPA	PLUG	1				
47	S49/01135	PUL	WASHER	1				
48	S49/01125	YAĞ KEÇESİ	OIL SEAL	1				
49	S49/01150	RULMAN	BEARING	1				
50	S49/01110	DESTEK SACI	SUPPORT	1				
51	S49/01140	PUL	WASHER	3				
52	S49/01170	TAPA	PLUG	1				
53	S49/01175	TAPA	PLUG	1				
54	S49/01180	TAPA	PLUG	1				

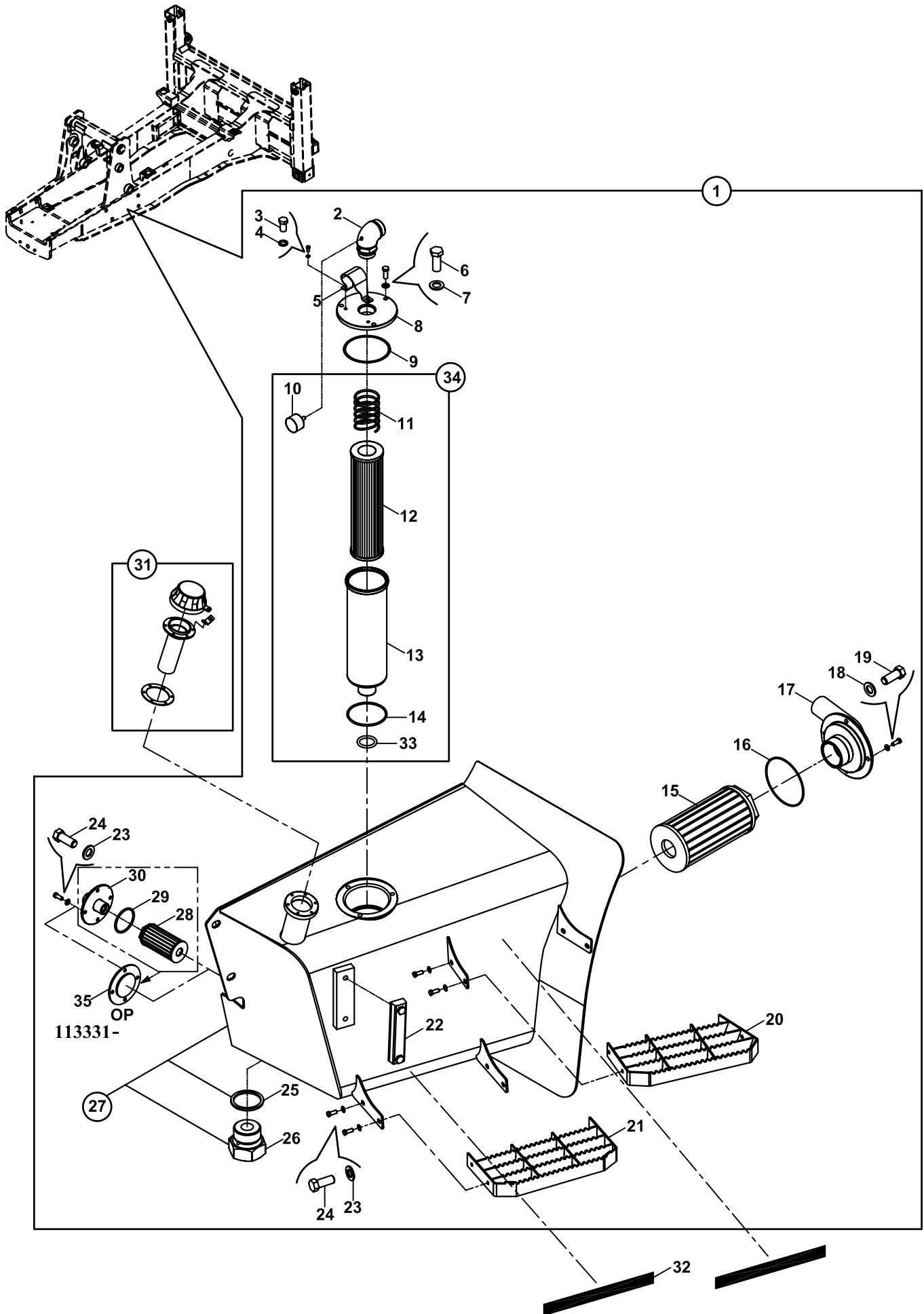
**ÇABUK SÖK TAK, KAZICI
QUICK COUPLER, BACKHOE**

NO NO	PARÇA NO PART NO	TANIM	DESCRIPTION	ADET QTY	S.K. S.C.	SERİ NO SERIAL NO	D.T. ICA	NOT NOTE
	* V005/09/11							
1	061/00101	ÇABUK SÖK -TAK, KOMP.	QUICK COUPLER, ASSY.	1				
2	061/20011	ÇABUK SÖK -TAK	QUICK COUPLER	1				
3	N06/3006042	HALKALI PİM	PIN	1				
4	811/02156	ŞAPKALI PİM	PIN	1				
5	N15/6451638	SIKMA KOVANI	PIN, EXPANSION	2				
6	801/14048	PİM	PIN	1				
7	807/09200	YAY	SPRING	1				
8	061/90816	MANDAL KOMPLE	DETENT	1				

MOTOR KAPAĞI, YAN SAĞ
PANEL, ENGINE, RIGHT SIDE



DEPO, HİDROLİK YAĞ TANK, HYDRAULIC



B

**GÖVDE
BODY PARTS**

B1

**GÖVDE MONTAJLARI
BODY PARTS MOUNTINGS**

B2

**KABİN
OPERATOR CAB**

B3

**YÜKLEYİCİ
LOADER**

B4

**KAZICI
BACKHOE**

KAPI VE CAMLAR, YAN, SAĞ
DOOR AND WINDOW, SIDE, RIGHT

NO NO	PARÇA NO PART NO	TANIM	DESCRIPTION	ADET QTY	S.K. S.C.	SERİ NO SERIAL NO	D.T. ICA	NOT NOTE
51	N03/0100013	PUL M6	WASHER M6	2		110001 - 111218		
	N03/0020011	PUL M8	WASHER M8	2		111219 -		
52	N02/5900050	SOMUN M6	NUT M6	2		110001 - 111218		
53	S91/00606	KAPI KİLİT KARŞILIĞI	COUNTER, DOOR LOCK	1				
54	020/20876	KİLİT KARŞILIĞI LAMASI	COUNTER PLATE	1				
55	810/10770	KAPI DURDURUCU BURÇ	BUSH	2				

KABİN İÇ DÖŞEMESİ VE TAVAN
CAB INTERIOR TRIMMING AND ROOF

NO NO	PARÇA NO PART NO	TANIM	DESCRIPTION	ADET QTY	S.K. S.C.	SERİ NO SERIAL NO	D.T. ICA	NOT NOTE
	* CAB011/00/00/002 * 018/22370				RK RK			
1	020/40260	TAVAN	ROOF	1				
	020/40265	TAVAN	ROOF	1		110977 -		(1)
2	805/04300	KAPLAMALI PUL	WASHER	4				
3	N01/0222462	CİVATA M10x25	BOLT M10x25	4				
4	N10/2706902	KARE CONTA	GASKET	4				
5	814/00340	KABİN ÜSTÜ TAPASI	PLUG, ROOF	4				

NOT/ NOTE: (1) 102B+PLUS MAKİNALARDA KULLANILMAKTADIR./ USED WITH 102B+PLUS MODELS

**GÖSTERGE PANELİ, YAN GÖĞÜS
INSTRUMENT PANEL, SIDE, RIGHT**

NO NO	PARÇA NO PART NO	TANIM	DESCRIPTION	ADET QTY	S.K. S.C.	SERİ NO SERIAL NO	D.T. ICA	NOT NOTE
					RK			
		*CAB011/00/00/002, *CAB011/00/00/100, *CAB005/01/01/001						
		*011/00001						
1	018/29509	YAN GÖĞÜS GÖSTERGE PANELİ, KOMPLE	INSTRUMENT PANEL, SIDE, RIGHT, ASSY	1				
2	020/11990	BAGLANTI SACI	MOUNTING PLATE	1				
3	F99/20401	DEVİR GÖSTERGESİ	GAUGE, TACHOMETER	1				
4	F99/20411	YAKIT GÖSTERGESİ	GAUGE, FUEL LEVER FUEL LEVER	1				
5	F99/20421	ISI GÖSTERGESİ	GAUGE, COOLANT TEMPERATURE	1				
6	018/29462	ISIKLI İKAZ GÖSTERGESİ	WARNING LIGHT CLUSTER	1		110001 - 113174		
	018/29490	ISIKLI İKAZ GÖSTERGESİ	WARNING LIGHT CLUSTER	1		113175 -	X	
7		KALORİFER MUSLUK MEKANİZMASI	MECHANISM, VALVE, HEATER	1				H1-4-1
8	814/00180	TAPA	COVER	1				
9	520/08112	KONTAK ANAHTARI	STARTER SWITCH	1				
10	545/03000	İZOLETOR HORTUMU	HOSE	1				
11	N03/0590001	PUL (Ø3.2xØ9x1)	WASHER	2				
12	N04/1150074	SAC VİDASI (Ø2.9x9.5)	SCREW (Ø2.9x9.5)	2				
13A	554/01000	SVİÇ, KLİMA FANI	SWITCH, AC FAN	1				
13B	520/30800	DÜĞME, KLİMA FANI	BUTTON, AC FAN	1				
14A	520/20600	ANAHTAR, ÇALISMA LAMBASI	SWITCH, REAR WORKING LIGHTS	1				
14B	520/30050	DÜĞME, ÇALISMA LAMBASI	BUTTON, REAR WORKING LIGHTS	1		110001 - 112982		
	520/31010	DÜĞME, ÇALISMA LAMBASI	BUTTON, REAR WORKING LIGHTS	1		112983 -	B	
15A	520/20000	ANAHTAR, KIZAK SIKMA	SWITCH, HYDRAULIC CLAMP	1				
15B	520/30600	DÜĞME, KIZAK SIKMA	BUTTON, HYDRAULIC CLAMP	1		110001 - 112982		
	520/31060	DÜĞME, KIZAK SIKMA	BUTTON, HYDRAULIC CLAMP	1		112983 -	B	
16A	520/20500	ANAHTAR, CAM SUYU	SWITCH, SCREEN WASHER	1				
16B	520/30700	DÜĞME, CAM SUYU	BUTTON, SCREEN WASHER	1		110001 - 112982		
	520/31160	DÜĞME, CAM SUYU	BUTTON, SCREEN WASHER	1		112983 -	B	
17	520/35050	ÜÇLÜ ANAHTAR TABLASI	SWITCH HOUSING	3				
19	520/36000	KAPAK	COVER	2				
20A	520/20000	ANAHTAR, YÜRÜYÜS KONTROL	SWITCH, HYDRAULIC SPEED CONTROL	1				
20B	520/30150	DÜĞME, YÜRÜYÜS KONTROL	BUTTON, HYDRAULIC SPEED CONTROL	1		110001 - 112982		
	520/31050	DÜĞME, YÜRÜYÜS KONTROL	BUTTON, HYDRAULIC SPEED CONTROL	1		112983 -	B	
21A	520/20000	ANAHTAR, 2x4/4x4	SWITCH, 2x4, 4x4	1		110001 - 113174		
	520/20700	ANAHTAR, 2x4/4x4	SWITCH, 2x4, 4x4	1		113175 -	X	
21B	520/30200	DÜĞME, 2x4/4x4	BUTTON, 2x4, 4x4	1		110001 - 112982		
	520/31020	DÜĞME, 2x4/4x4	BUTTON, 2x4, 4x4	1		112983 -	B	
22A	520/20000	ANAHTAR, ÇALISMA LAMBASI	SWITCH, FRONT WORKING LIGHTS	1				
22B	520/30050	DÜĞME, ÇALISMA LAMBASI	BUTTON, FRONT WORKING LIGHTS	1		110001 - 112982		
	520/31010	DÜĞME, ÇALISMA LAMBASI	BUTTON, FRONT WORKING LIGHTS	1		112983 -	B	
23A	520/20000	ANAHTAR, TEPE LAMBASI	SWITCH, BEACON	1				
23B	520/30000	DÜĞME, TEPE LAMBASI	BUTTON, BEACON	1		110001 - 112982		
	520/31000	DÜĞME, TEPE LAMBASI	BUTTON, BEACON	1		112983 -	B	
24	554/00440	BUTON	BUTTON	1				
	554/00441	BUTON	BUTTON	1			Y	
25A	520/20000	ANAHTAR, EL KIRICISI	SWITCH, HAND BREAKER	1	OP			
25B	520/30170	DÜĞME, EL KIRICISI	BUTTON, HAND BREAKER	1	OP	110001 - 112982		
	520/31120	DÜĞME, EL KIRICISI	BUTTON, HAND BREAKER	1	OP	112983 -	B	

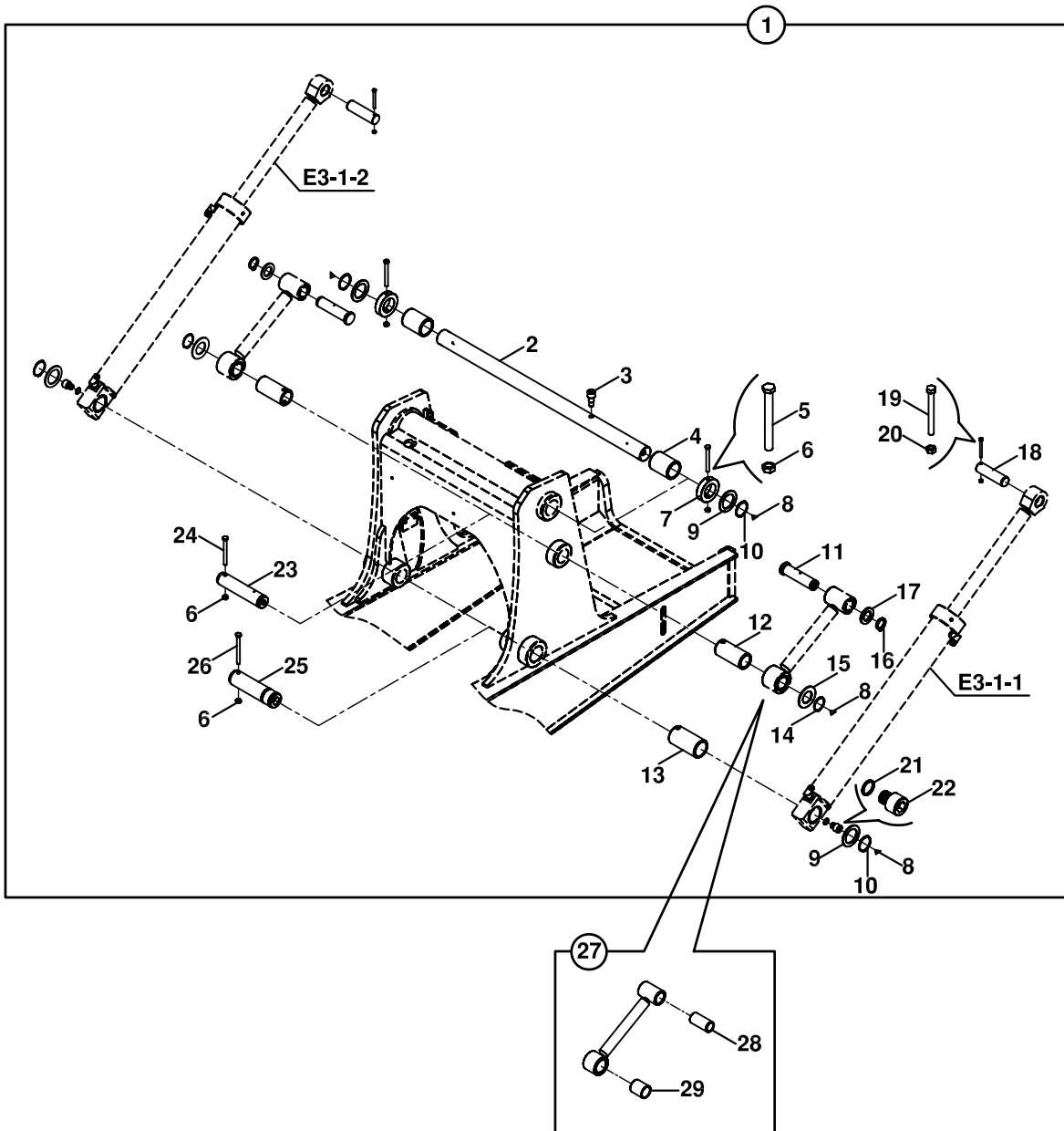
**KOLTUK
OPERATOR SEAT**

NO NO	PARÇA NO PART NO	TANIM	DESCRIPTION	ADET QTY	S.K. S.C.	SERİ NO SERIAL NO	D.T. ICA	NOT NOTE
	* V005/14/02 018/22370				RK RK			
1		KOLTUK, CE' LI	SEAT	1				☞ B2-8-1-1
2	019/91455	KOLTUK ADAPTÖR SACI	BRACKET, SEAT ADAPTER	1		110001 - 110976		
3	N01/0222438	CİVATA M10x20	BOLT M 10x20	4				
4	N03/0020018	PUL M10	WASHER M10	4				
5	810/02080	ARA BURCU	BUSH, SEAT BELT	1				
6	018/29570	KOLTUK ADAPTÖR SACI	BRACKET, SEAT ADAPTER	1		110977 -		
7	019/91456	KOLTUK ADAPTÖR SACI	BRACKET, SEAT ADAPTER	1		110977 -		
8	020/02241	KAPAK SACI	COVER PLATE	1		110977 -		
9	F99/60016	KİLİT	LOCK	1		110977 -		
10	F99/60400	MENTEŞE	HINGE	2		110977 -		
11	N01/0222114	CİVATA M8x20	BOLT M 8x20	4				
12	N03/0020011	PUL M8	WASHER M8	4				

**FAR VE LAMBALAR
LIGHTS**

NO NO	PARÇA NO PART NO	TANIM	DESCRIPTION	ADET QTY	S.K. S.C.	SERİ NO SERIAL NO	D.T. ICA	NOT NOTE
	*018/22812							
	*CAB011/00/00/002							
1A	526/04000	ÇALIŞMA LAMBASI, ÖN, TEK YÖNE AYARLI	WORKING LIGHT, FRONT, ONE WAY ADJUSTABLE	6	RK RK			
1B	532/02000	AMPUL, ÇALIŞMA LAMBASI	BULB, WORKING LIGHT	6				
2A	526/07510	LAMBA, İÇ AYDINLATMA	LIGHT, CAB INTERIOR	1				
2B	532/08800	AMPUL, İÇ AYDINLATMA	BULB, CAB INTERIOR	1				
3	526/03110	TEPE İKAZ LAMBASI	BEACON	1				
4	N01/0221514	CİVATA M6x20	BOLT M6x20	7				
5	814/00155	CİVATA KAPAGI	BOLT COVER	2				
6	N01/0222114	CİVATA M8x20	BOLT M8x20	2				
7	N03/0108017	PUL M8	WASHER M8	2				
8	020/10846	BAGLANTI SACI	MOUNTING PLATE	1				
9	N03/0100013	PUL M6	WASHER M6	7				
10	N02/5900050	SOMUN M6	NUT M6	3				
11	S91/00965	DİKİZ AYNASI	REARVIEW MIRROR	2				
12	020/30409	AYNA KOLU	ARM, MIRROR	2				
13	526/00210	FAR, ÖN, YAN, SOL	HEADLIGHT, FRONT, LEFT	1		110001 - 110821		
	526/00211	FAR, ÖN, YAN, SOL	HEADLIGHT, FRONT, LEFT	1		110822 - 111299	Y	
	526/00210	FAR, ÖN, YAN, SOL	HEADLIGHT, FRONT, LEFT	1		111300 - 112037		
	526/00226	FAR, ÖN, YAN, SOL	HEADLIGHT, FRONT, LEFT	1		112038 -	Y	
14	526/00200	FAR, ÖN, YAN, SAĞ	HEADLIGHT, FRONT, RIGHT	1		110001 - 110821		
	526/00201	FAR, ÖN, YAN, SAĞ	HEADLIGHT, FRONT, RIGHT	1		110822 - 111299	Y	
	526/00200	FAR, ÖN, YAN, SAĞ	HEADLIGHT, FRONT, RIGHT	1		111300 - 112037		
	526/00225	FAR, ÖN, YAN, SAĞ	HEADLIGHT, FRONT, RIGHT	1		112038 -	Y	
15	020/12174	FAR ADAPTÖR SACI, SAĞ	BRACKET, RIGHT	1		112038 -		
16	N02/5900122	SOMUN M12	NUT M12	2		112038 -		
17	N03/0100023	PUL M12	WASHER M12	2		112038 -		
18	N01/0222822	CİVATA M12x25	BOLT M12x25	2		112038 -		
19	020/12175	FAR ADAPTÖR SACI, SOL	BRACKET, LEFT	1		112038 -		

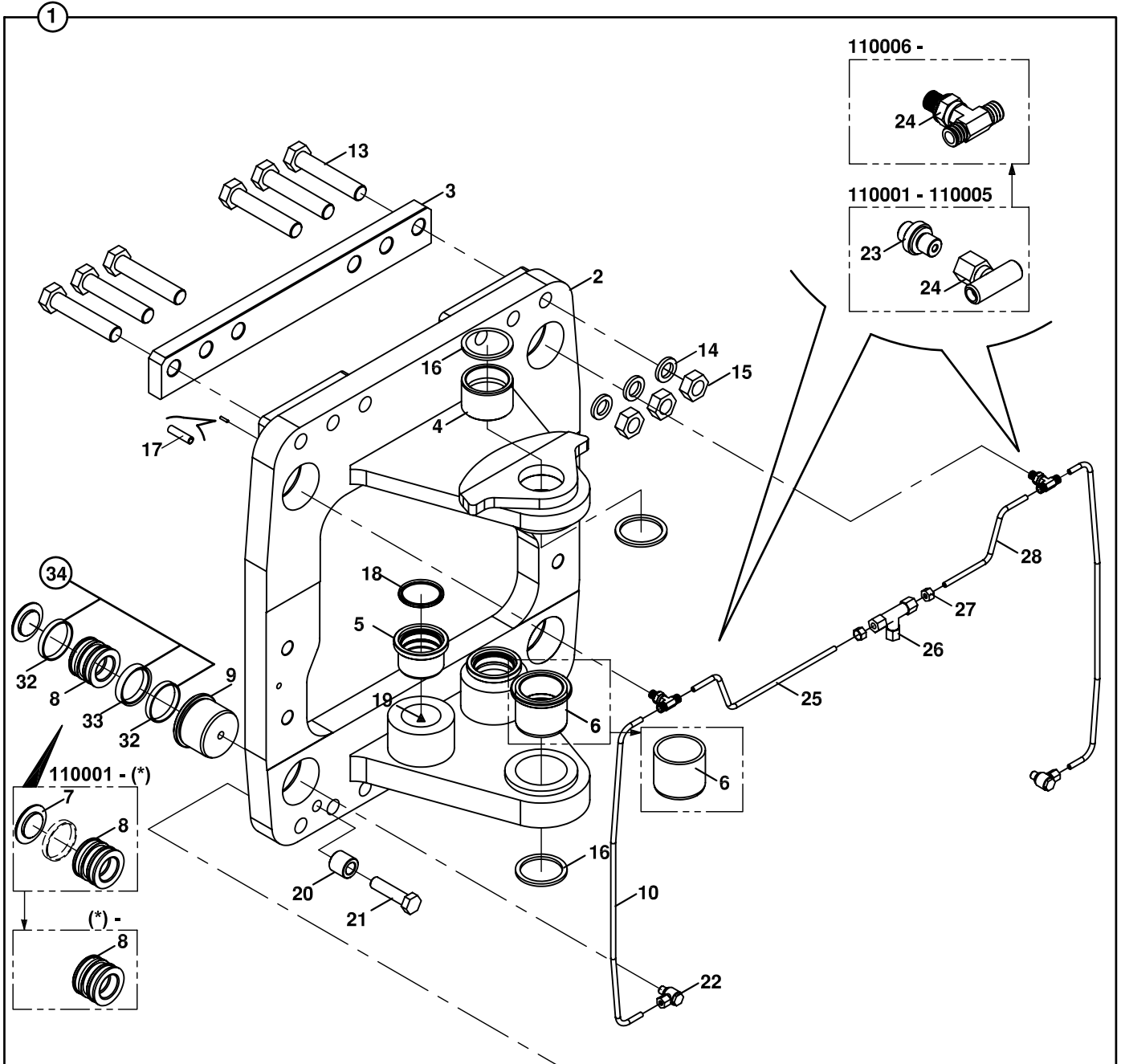
YÜKLEYİCİ MONTAJI- 2, KUTU KESİTLİ KOL
LOADER MOUNTING-2, LOADER ARM WITH BOX SECTION



AYAK, KIZAK
STABILISER, SIDESHIFT

NO NO	PARÇA NO PART NO	TANIM	DESCRIPTION	ADET QTY	S.K. S.C.	SERİ NO SERIAL NO	D.T. ICA	NOT NOTE
1	*011/00001							
2	018/20245	AYAK KOMPLESİ	STABILISER LEG	1				
2	019/90160	KAPAK	COVER	2		110001 - 110390		
	019/90160	KAPAK	COVER	1		110391 -		
3	N01/0222078	CİVATA(M8x15)	BOLT M8x15	4				
4	801/10026	PİM	PIN	2				
5	N01/0370494	CİVATA (M8x80)	BOLT M8x80	2				
6	N02/5900062	SOMUN (M8)	NUT	2				
7	801/02035	ÜST AYAK PİMİ	PIN, UPPER LEG	2				
8	810/10590	KANCA	TOW, HITCH	1	OP			
9	N01/0224286	CİVATA (M20x50)	BOLT M20x50	2	OP			
10		AYAK SİLİNDİRİ (SAĞ)	RAM, STABILISER, (RIGHT)	1				E3-4-1
11	801/05080	ALT AYAK PİMİ	PIN, LEG, LOWER	2				
12	N08/1210020	GRESORLÜK	GREASE NIPPLE	2				
13	N05/0020863	SEGMAN	RETAINING RING	2				
14	F99/77121	SÜRTÜNME PLAKASI	FRICTION PLATE	8				
15	019/90218	KIZAK PAPUCU (SAĞ) KİLİTLİ	FOOT, RIGHT WITH LOCK	1				
	019/90221	KIZAK PAPUCU (SAĞ) KİLİTLİ	FOOT, RIGHT WITH LOCK	1		112791	Y	
	019/90235	KIZAK PAPUCU (SAĞ) KİLİTLİ	FOOT, RIGHT WITH LOCK	1		112792 -	B	
	019/90238	KIZAK PAPUCU (SAĞ) KİLİTLİ	FOOT, RIGHT WITH LOCK	1		-	B	
16	019/90217	KIZAK PAPUCU (SOL) KİLİTLİ	FOOT, RIGHT WITH LOCK	1				
	019/90222	KIZAK PAPUCU (SOL) KİLİTLİ	FOOT, RIGHT WITH LOCK	1		112791	Y	
	019/90236	KIZAK PAPUCU (SOL) KİLİTLİ	FOOT, RIGHT WITH LOCK	1		112792 -	B	
	019/90239	KIZAK PAPUCU (SOL) KİLİTLİ	FOOT, RIGHT WITH LOCK	1			B	
17	019/90199	İÇ AYAK	LEG,STABILISER, INNER	2				
18		AYAK SİLİNDİRİ (SOL)	RAM, STABILISER, (LEFT)	1				E3-4-2
19	452/51446	TESİSAT BORUSU	PIPE	2		110001 - 113707		
	452/51453	TESİSAT BORUSU	PIPE	2		113708 -	B-G	
20	452/51445	TESİSAT BORUSU	PIPE	2				
	452/51463	TESİSAT BORUSU	PIPE	1		110001 - 113707	B-G	
21	F99/77120	SÜRTÜNME PLAKASI	FRICTION PLATE	4		113708 -		
22	019/90162	İTİCİ KAPAK	COVER	4		110001 - 110317		
	019/90163	İTİCİ KAPAK	COVER	4		110318 -	B	
23	F99/74020	SÜRTÜNME PLAKASI	FRICTION PLATE	4				
24	020/00991	SİM 0.5,1,2,3,4 mm	SHIM 0.5,1,2,3,4 mm	*	GK			
25	N03/1170029	PUL	WASHER	16				
26	N01/0223554	CİVATA (M16x30)	BOLT M16x30	16				
27	N06/3006042	HALKALI PİM	LINCH PIN	2				
28	805/01044	PUL	SHIM	4				
29	019/92810	PLAKA SACI	BRACKET, REGISTRATION PLATE	1		110391 -	E	
30	452/51466	TESİSAT BORUSU	PIPE	1		113708 -	B-G	

DÖNÜŞ TABLASI
KINGPOST CARRIAGE



PARÇA NO TAYİNİ İÇİN KATALOG
SONUNDAKİ EK' E BAKINIZ.

FOR PART NUMBER SELECTION
SEE THE APPENDIX AT THE END
OF THE CATALOG

**DÖNÜŞ KUTUSU, ÇELİK
KINGPOST, STEEL**

NO NO	PARÇA NO PART NO	TANIM	DESCRIPTION	ADET QTY	S.K. S.C.	SERİ NO SERIAL NO	D.T. ICA	NOT NOTE
1	*018/3312.. 018/33795	DÖNÜŞ KUTUSU, KOMP.	KINGPOST CARRIAGE	1				(1)
2	019/32593	DÖNÜŞ KUTUSU	KINGPOST CARRIAGE	1				
3	802/02820	BURÇ	BUSHING	1				
4	802/01720	BURÇ	BUSHING	1				
5	810/49003	HORTUM TUTUCU SACI	HOSE HOLDER PLATE	1				
PARÇA NO TAYİNİ İÇİN KATALOG SONUNDAKİ EK' E BAKINIZ.								
FOR PART NUMBER SELECTION SEE THE APPENDIX AT THE END OF THE CATALOG								

NOT / NOTE: (1) B4-3-4-OP2 SAYFASINDAKİ POZ NO 1 DEKİ 018/33794 İLE BİRBİRİ YERİNE KULLANILABİLİR.
/ INTERCHANGEABLE WITH THE ITEM 1 018/33794 ON PAGE B4-2-5-OP2

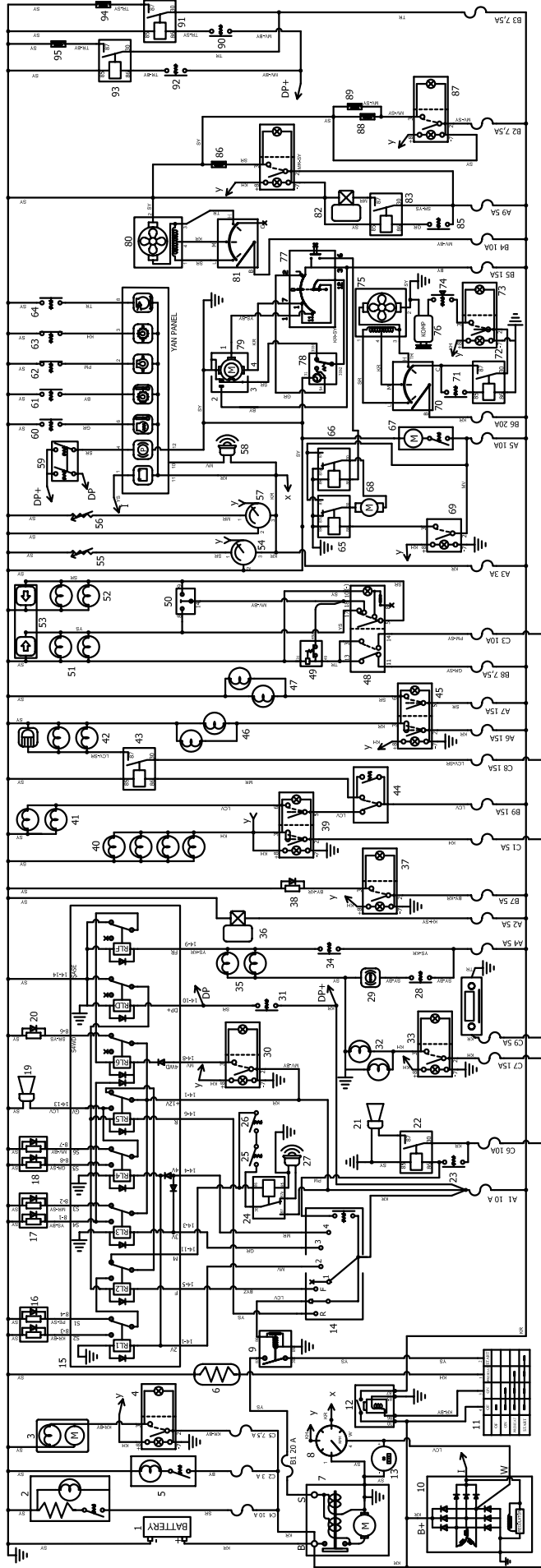
**KALDIRICI BOM, 3 EKSENLİ
MAIN BOOM, 3 - AXIS**

NO NO	PARÇA NO PART NO	TANIM	DESCRIPTION	ADET QTY	S.K. S.C.	SERİ NO SERIAL NO	D.T. ICA	NOT NOTE
	*V011/01/30							
1	018/34333	KALDIRICI BOM, KOMP.	MAIN BOOM, ASSY	1				
2	019/30373	KALDIRICI BOM	MAIN BOOM	1				
3	802/01517	BURÇ	BUSHING	4				
4	N10/5607005	TOZ KEÇESİ	SCRAPER	2				
5	N08/1210020	GRESÖRLÜK	GREASSE NIPPLE	1				

TELESKOPIK BOM
DIPPER, TELESCOPIC

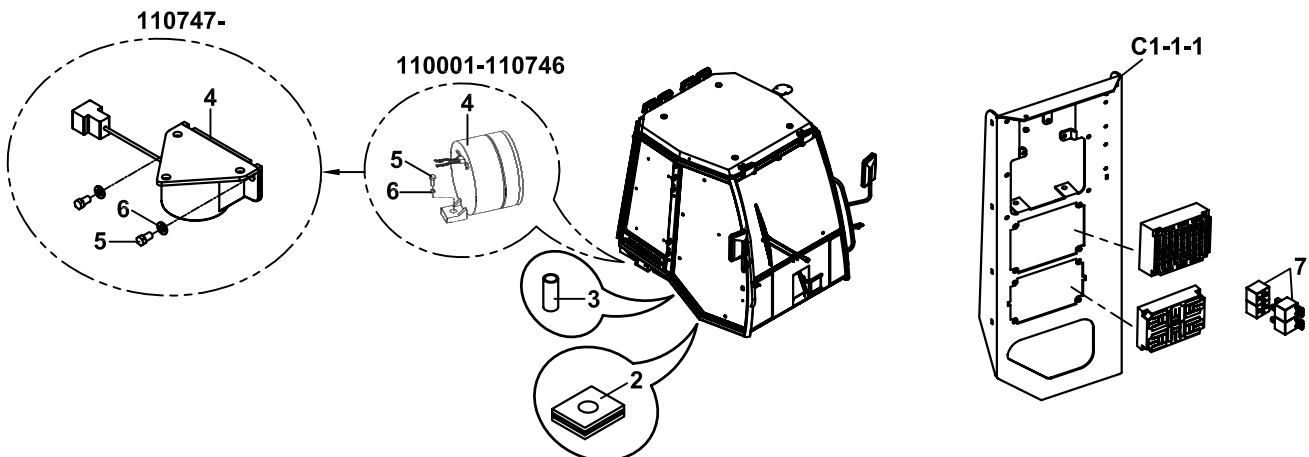
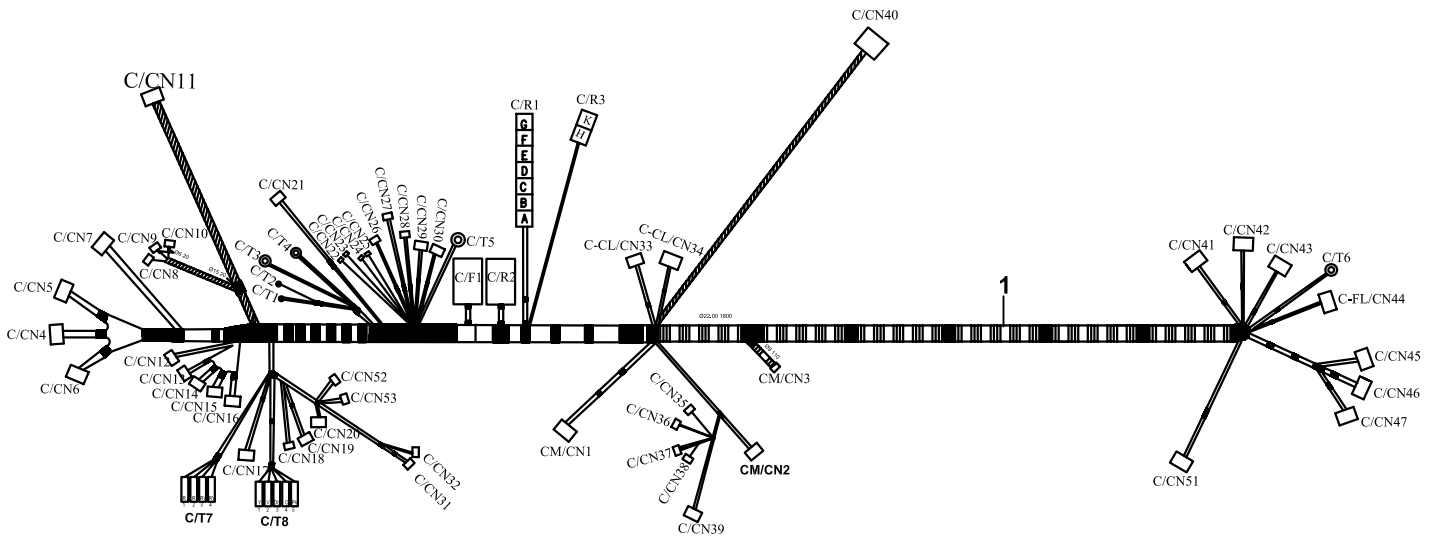
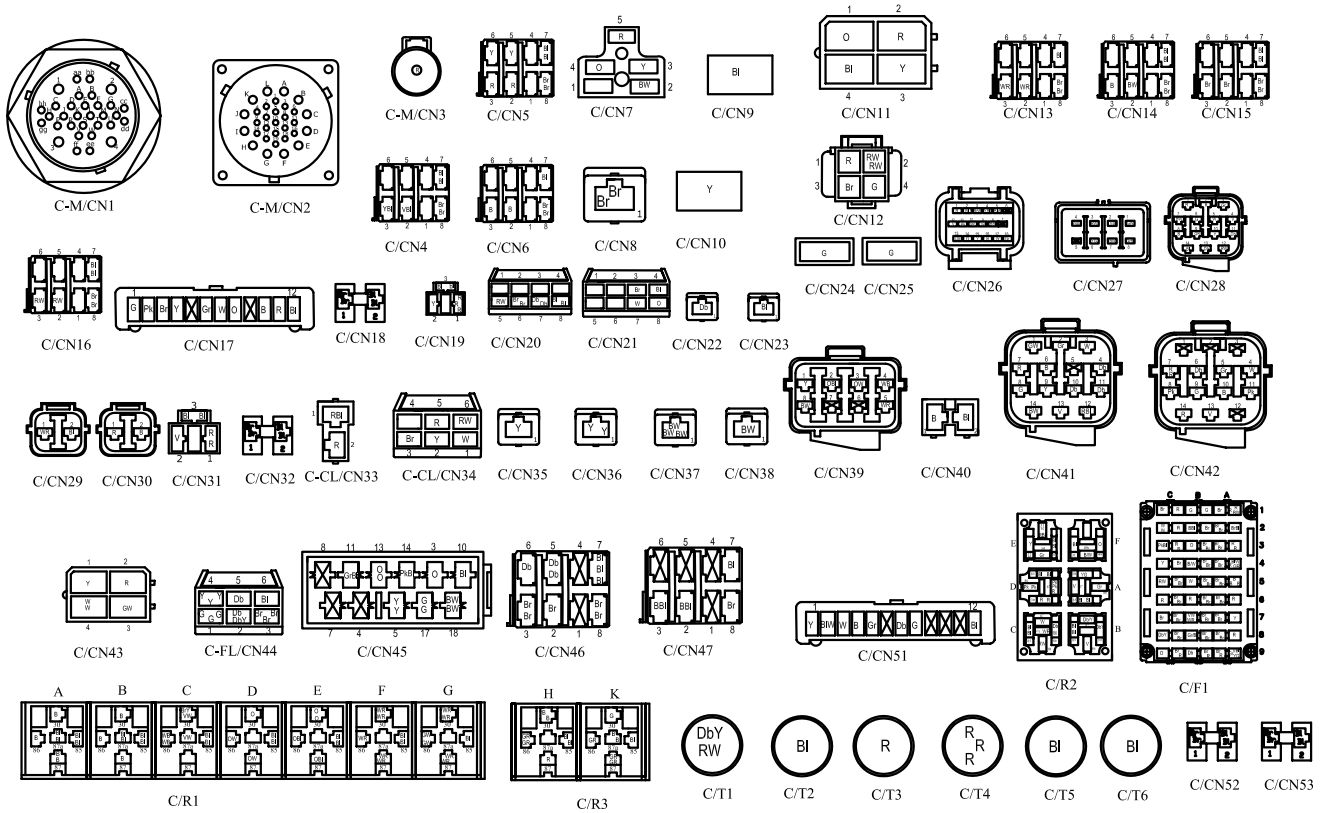
NO NO	PARÇA NO PART NO	TANIM	DESCRIPTION	ADET QTY	S.K. S.C.	SERİ NO SERIAL NO	D.T. ICA	NOT NOTE
	* V011/01							
1	018/35713	TELESKOPIK BOM, KOMP.	DIPPER, TELESCOPIC, ASSY	1	RK SOP			
2	018/35891	SÜRTÜNME ÇUBUGU KOMPLE	PAD, WEAR, ASSY	4				
3	N01/5871143	CİVATA M12x20	BOLT, M12x20	8				
4	F99/06350	ÜST POLYAMİD	PAD, WEAR, TOP	4				
5	020/11533	POLYAMİD YATAK SACI	PLATE, PAD, WEAR	4				
6	F99/06302	ALT POLYAMİD	PAD, WEAR, BOTTOM	4				
7	N02/4230182	SOMUN, M20x2.5	NUT, M20x2.5	8				
8	N04/3121010	AYAR CİVATASI	SETSCREW	8		110001 - 110652		
	N04/3131010	AYAR CİVATASI	SETSCREW	8		110653 -	B	
9	N01/0222438	CİVATA (M10x20)	BOLT M10x20	4		110001 - 110010		
	N01/0222510	CİVATA (M10x40)	BOLT M10x40	4		110011 -		
10	N03/0020018	PUL M10	WASHER, M10	4		110001 - 110010		
	N03/0020121	PUL M10	WASHER, M10	4		110011 -		
11	020/30057	KELEPÇE	CLAMP	4		110001 - 110010		
12	452/50217	TESİSAT BORUSU	PIPE	1		110001 - 110010		
	452/51671	TESİSAT BORUSU	PIPE	1		110011 -		
13	664/222C125	HORTUM	HOSE	1				
14	665/332A135	HORTUM	HOSE	1				
15	452/50216	TESİSAT BORUSU	PIPE	1		110001 - 110010		
	452/51670	TESİSAT BORUSU	PIPE	1		110011 -		
16	019/35205	DIS BOM	BOOM, EXTERIOR	1				
17	805/00082	PUL	WASHER	1				
18	N06/3006042	HALKALI PİM	SPLIT PIN	1				
19	811/10030	PİM	PIN	1				
20	811/01010	SAPKALI PİM	PIN	1				
21	N03/2500023	RONDELA Ø 16	WASHER, Ø16	1				
22	N01/0223554	CİVATA M16x30	BOLT, M16x30	1				
23	018/35523	İÇ BOM KOMPLE	BOOM, INTERIOR	1				
24		TELESKOPIK SİLİNDİR	RAM, EXTENSION	1				E3-9-1
25	452/50111	TESİSAT BORUSU	PIPE	1				
26	N01/0221574	CİVATA M6x30	BOLT, M6x30	1				
27	810/52120	KELEPÇE (ÜST)	HOSE HOLDER, UPPER	1				
28	810/52121	KELEPÇE (ALT)	HOSE HOLDER, LOWER	1				
29	452/50101	TESİSAT BORUSU	PIPE	1				
30	019/35512	İÇ BOM	BOOM, INTERIOR	1				
31	N05/0020060	SEGMAN	RETAINING RING	1				
32	801/11046	PİM	PIN	1				
33	N10/5445405	KEÇE	SEAL	4				
34	802/01222	BURÇ	BUSHING	4				
35	N08/1210020	GRESÖRLÜK	GREASE NIPPLE	2				
36	810/52220	KELEPÇE- ÜST	CLAMP	4		110011 -		
37	810/52221	KELEPÇE- ALT	HOSE HOLDER, LOWER	4		110011 -		

ELEKTRİK DEVRE ŞEMASI

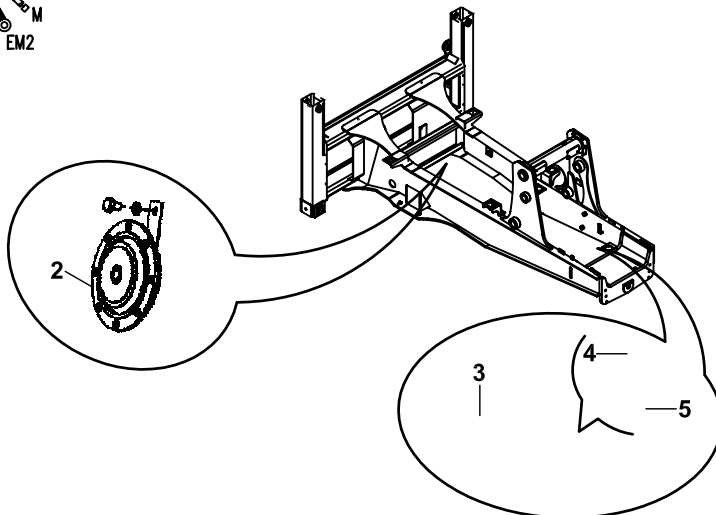
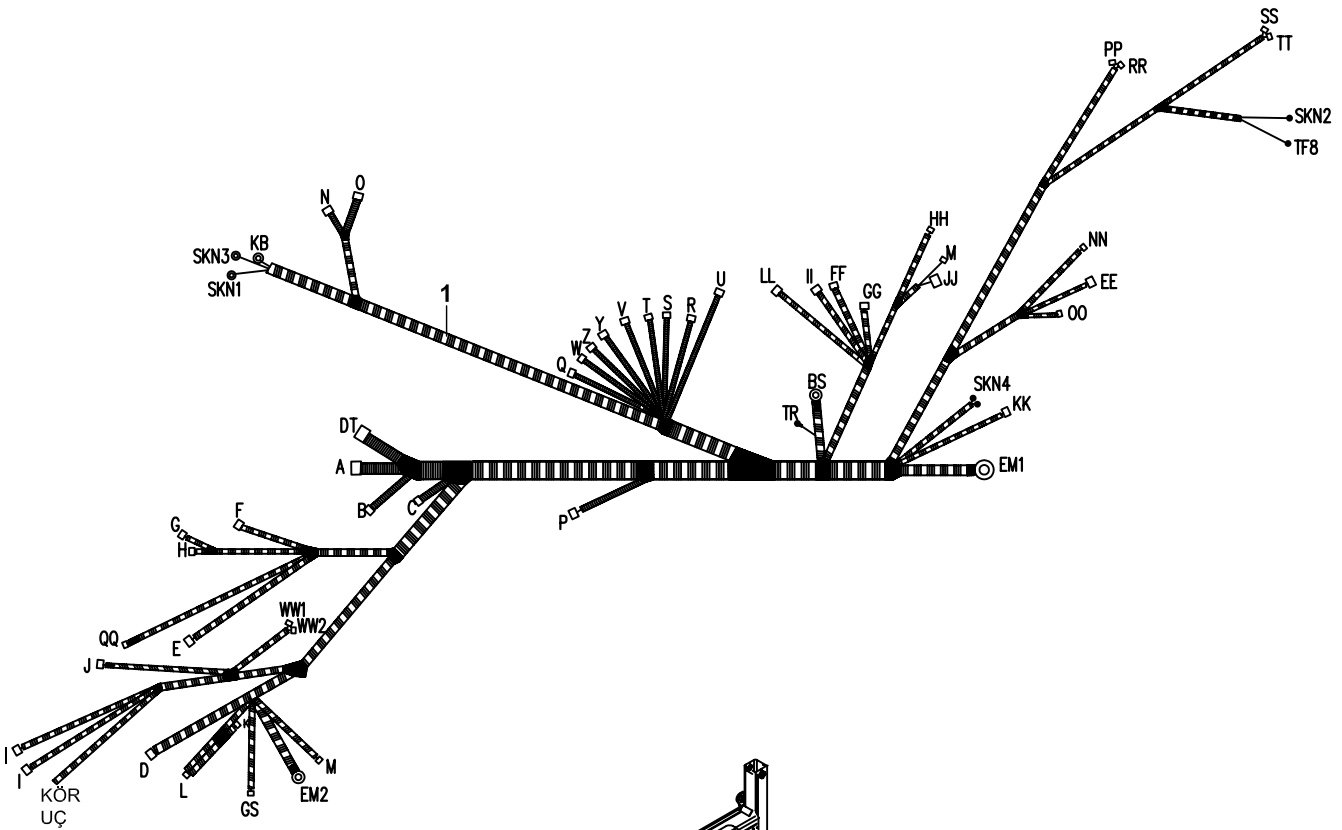
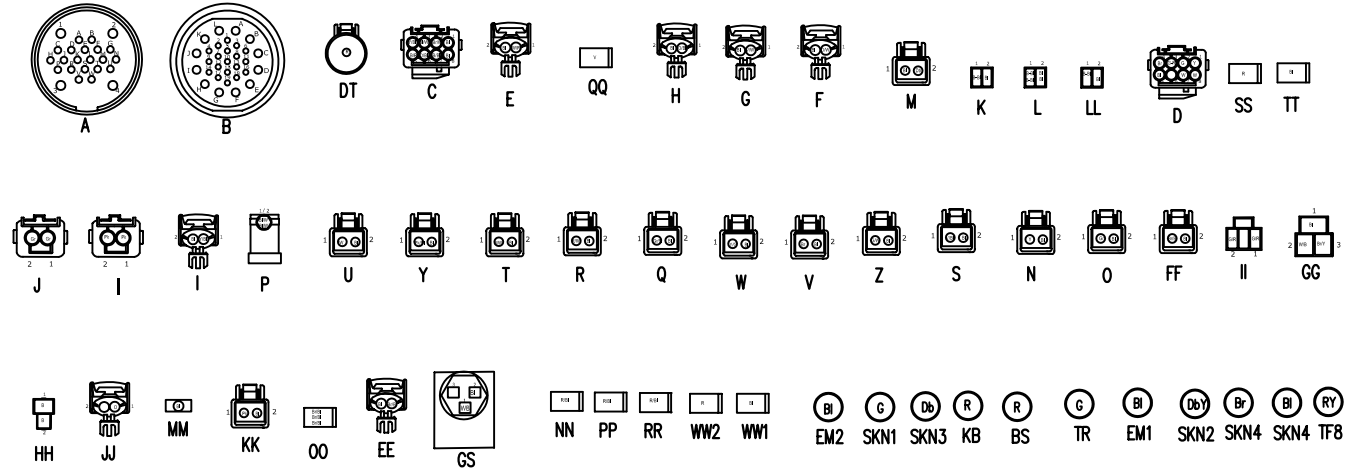


- A1-Vitesler şıortası
A2-Yakıt kesme solenoidi şıortası
A3-Göstergeler şıortası
A4-Kısa far şıortası
A4-Fren lambası şıortası
A5-Arka silcek şıortası
A6-Arka lam ışık şıortası
A7-Arka lam ışık şıortası
A9-Kırcık-kızak killi şıortası
B1-Maış şıortası
B2-Yumusak yürütiş şıortası
B3-
B4-Kalorifer şıortası
B5-Ön silcek şıortası
B6-Klima şıortası
- B7-Yol yürütiş
B8-Sinyaller şıortası
B9-Kısa far şıortası
C1-Park lambası şıortası
C2-Tavan lambası şıortası
C3-Dörtüü ikaz şıortası
C4-Cakmak şıortası
C5-Döner lamba şıortası
C6-Korna şıortası
C7-Ön çalıřma lam şıortası
C8-Uzun far şıortası
C9-Radyo şıortası
1-Batarya
2-Sigara cakmađı
- 3-Döner lamba
4-Döner lamba anahtarı
5-İç aydınlatma lambası
6-Ön istima bujisi
7-Maış motoru
8-Devir göstergesi
9-Maış rölesi
10-Alternatör
11-Kontak anahtarı
12-Ana çıkıř rölesi
13-Çalıřma saati
14-Vites kolu
15-Vites kartı
16-1 ve 2 nolu şanzuman valfi
- 17-3 ve 4 nolu şanzuman valfi
18-5 ve 6 nolu şanzuman valfi
19-Geçit vites kornası
20-2x4 valfi
21-Korna
22-Korna rölesi
23-Korna butonu(arka)
24-Kızak rölesi
25-Kızak ayak svđi sađ sol
26-Kızak ayak svđi sađ sađ
27-Kızak ayak svđi buzeti
28-Fren aktümatör svđi
29-Fren aktümatör lambası
30-2x4 WD Anahtarı
- 31-Dump butonu(levye)
32-Ön çalıřma lambaları
33-Ön çalıřma lamba anahtarı
34-Fren müşürü
35-Fren lambaları
36-Yakıt kesme solenoidi
37-Yol yürütiş anahtarı
38-Yol yürütiş solenoidi
39-Far anahtarı
40-Park lambaları
41-Farlar Kısa Hızma
42-Farlar Uzun Hızma
43-Far rölesi
44-Kol far devresi
- 45-Çalıřma lam anlı
46-Çalıřma lam ışık
47-Çalıřma lam ışık
48-Dörtüü anlı
49-Flaşer
50-Kol sinyali devresi
51-Sađ sinyali lambaları
52-Sol sinyali lambaları
53-Panel sinyali ışıkları
54-Motor hararet göstergesi
55-Motor hararet müşürü
56-Yakıt şamandırası
57-Yakıt göstergesi
58-Buzzer
- 59-El freni svđisi
60-Motor hararet müşürü
61-Şanzuman hararet müşürü
62-Motor yağ basınç müşürü
63-Şanzuman yağ basınç müşürü
64-Hava filtre müşürü
65-Cam yıkama motoru arka
66-Cam yıkama motoru rölesi ön
67-Silcek motoru arka
68-Cam yıkama motoru
69-Cam yıkama anahtarı arka
70-Klima fanı svđi
71-Klima fanı svđi
72-Klima rölesi
- 73-Klima anahtarı
74-Klima basınç svđi
75-Klima fanı
76-Klima kompresörü
77-Sinyal kolu silcek devresi
78-Silcek zaman rölesi
79-Ön slığı motoru
80-Kalorifer fanı
81-Kalorifer fan svđi
82-Kırcık valfi bobini
83-Kırcık rölesi
84-Kırcık butonu
85-Kızak sıkma anahtarı
86-Kızak sıkma valfi bobini
- 87-Yumusak yürütiş anahtarı
88-Yumusak yürütiş valfi 1.
89-Yumusak yürütiş valfi 2.
90-Keçce kapama butonu
91-Keçce kapama rölesi
92-Keçce açma butonu
93-Keçce açma rölesi
94-Keçce kapama valfi bobini
95-Keçce açma valfi bobini

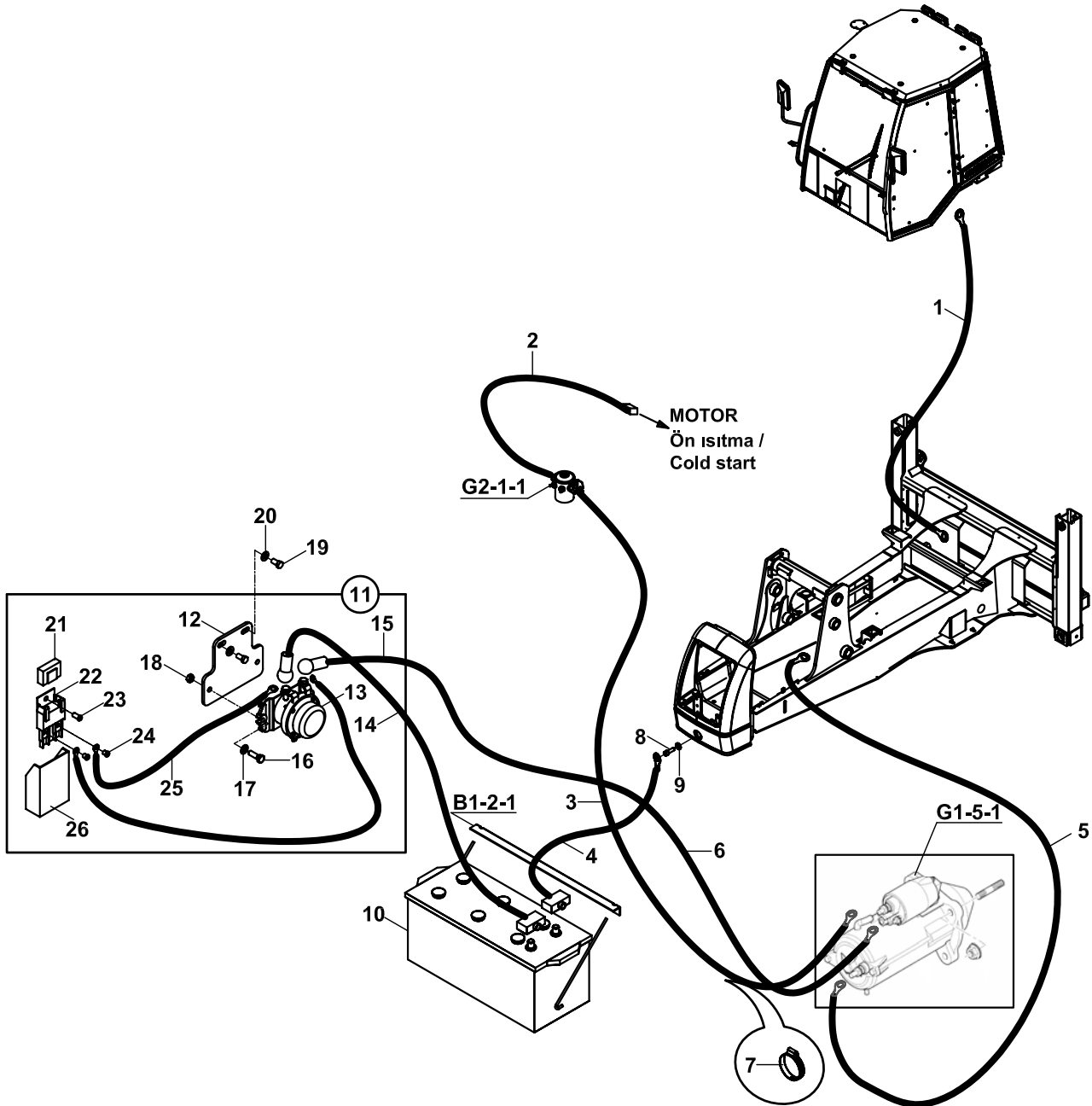
ELEKTRİK DONANIMI, KABİN İÇİ, ÇİFT FREN PEDALLI HARNESS, CAB, DOUBLE BRAKE PEDAL



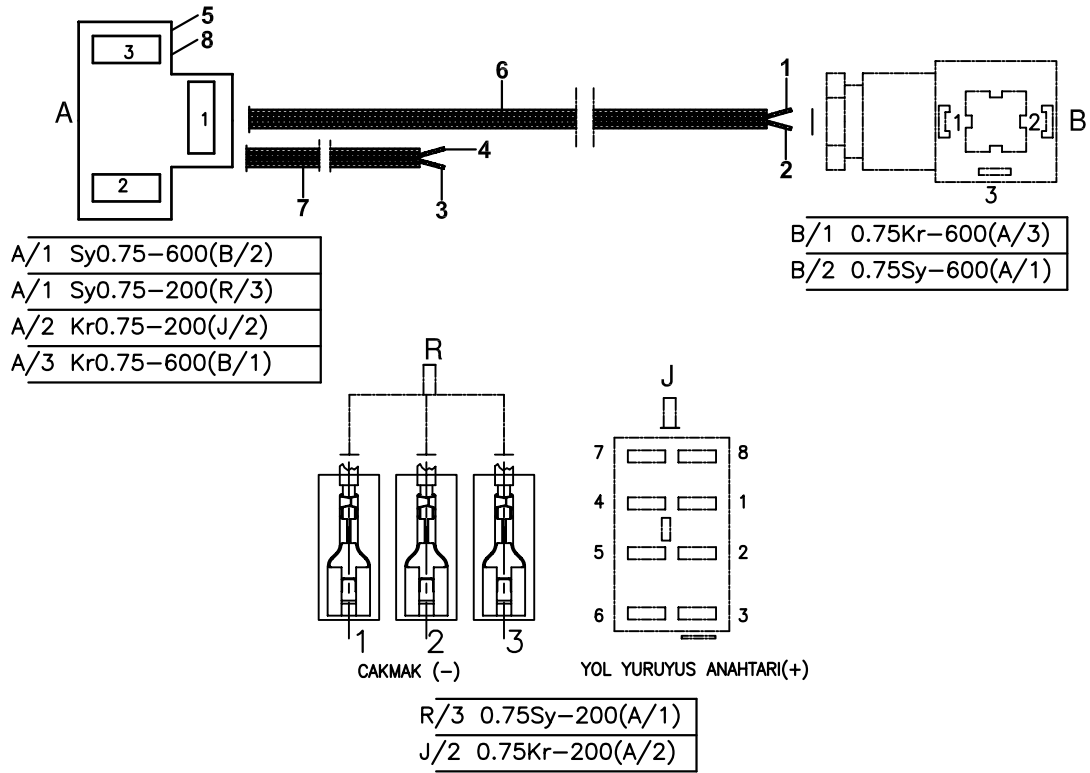
ELEKTRİK DONANIMI, MOTOR, TEK FREN PEDALLI, KOMPRESÖR HARNESS, ENGINE, SINGLE BRAKE PEDAL, COMPRESSOR



AKÜ VE ELEKTRİK BAĞLANTILARI ACCUMULATOR AND ELECTRIC CONNECTIONS



ELEKTRİK DONANIMI, DÖNER KEPÇE/ BURGU
HARNESS, AUGER/TILTING BUCKET



ÖN KUMANDA LEVYELERİ
CONTROL LEVERS, LOADER

NO NO	PARÇA NO PART NO	TANIM	DESCRIPTION	ADET QTY	S.K. S.C.	SERİ NO SERIAL NO	D.T. ICA	NOT NOTE
	* 018/29525				RK			
	* 018/29526				RK			
	* V012/05/..				RK			
1	018/29043	ÖN KUMANDA KOLU, UZUN, KOMPLE	LOADER CONTROL LEVER, LONG, ASSY	1				
2	F99/20001	TOPUZ, ÜST	KNOB, UPPER	1				
3	F99/20000	TOPUZ, ALT	KNOB, LOWER	1				
4	554/00430	DÜĞME	BUTTON	1				
5	F99/20002	YÜKSÜK	RING	1				
6	019/91342	LEVYE KOLU	LEVER	1				
7	F99/14010	ÖZEL SOMUN	SPECIAL NUT	1				
8	506/10000	KONNEKTÖR	CONNECTOR	1				
9	018/29153	ÖN KUMANDA KOLU, KISA, KOMPLE	CONTROL LEVER, LOADER, SHORT, ASSY	1				AK
10	F99/40200	TOPUZ	KNOB	1				AK
11	020/30375	LEVYE KOLU	LEVER	1				AK
12	N03/2500016	PUL M12	WASHER M12	2				AK
	N03/2500016	PUL M12	WASHER M12	1				SK
13	N04/1150349	SAC VİDASI	SCREW	11				AK
14	020/11044	KÖRÜK FLANŞI	FLANGE, GAITER	1				AK
15	810/28580	KÖRÜK, ÇİFTLİ	GAITER	1				AK
16	020/20921	KÖRÜK BAĞLANTI SACI	MOUNTING PLATE, GAITER	1				AK
17	N01/5870060	CİVATA M4x16	BOLT M4x16	4				
	N01/5870071	CİVATA M4x19	BOLT M4x19	4		112299 -	B	
18	810/28555	KÖRÜK	GAITER	1				SK
19	N13/0165180	DÜBEL	PLUG	4				SK
20	020/01075	KÖRÜK BAĞLANTI SACI	FLANGE, GAITER	1				SK
21	020/01576	BAĞLANTI SACI	MOUNTING PLATE	1		110001 - 113507		SK
	020/02709	BAĞLANTI SACI	MOUNTING PLATE	1		113508 -	Y-G	SK
22	018/29154	ÖN KUMANDA KOLU, KOMPLE	CONTROL LEVER, LOADER, ASSY	1	OP.			(1)
23	554/00431	DÜĞME	BUTTON	1				
24	019/91344	LEVYE KOLU	LEVER	1				
25	506/06000	KONNEKTÖR	CONNECTOR	1				
26	554/00431	SWITCH, BUTONLU	SWITCH, BUTTON	1		113508 -	Y-G	

NOT/NOTE: (1) TOMRUK YÜKLEYİCİ İLE / WITH LOG FORK

**ARKA KUMANDA MEKANİZMASI
CONTROL MECHANISM, BACKHOE**

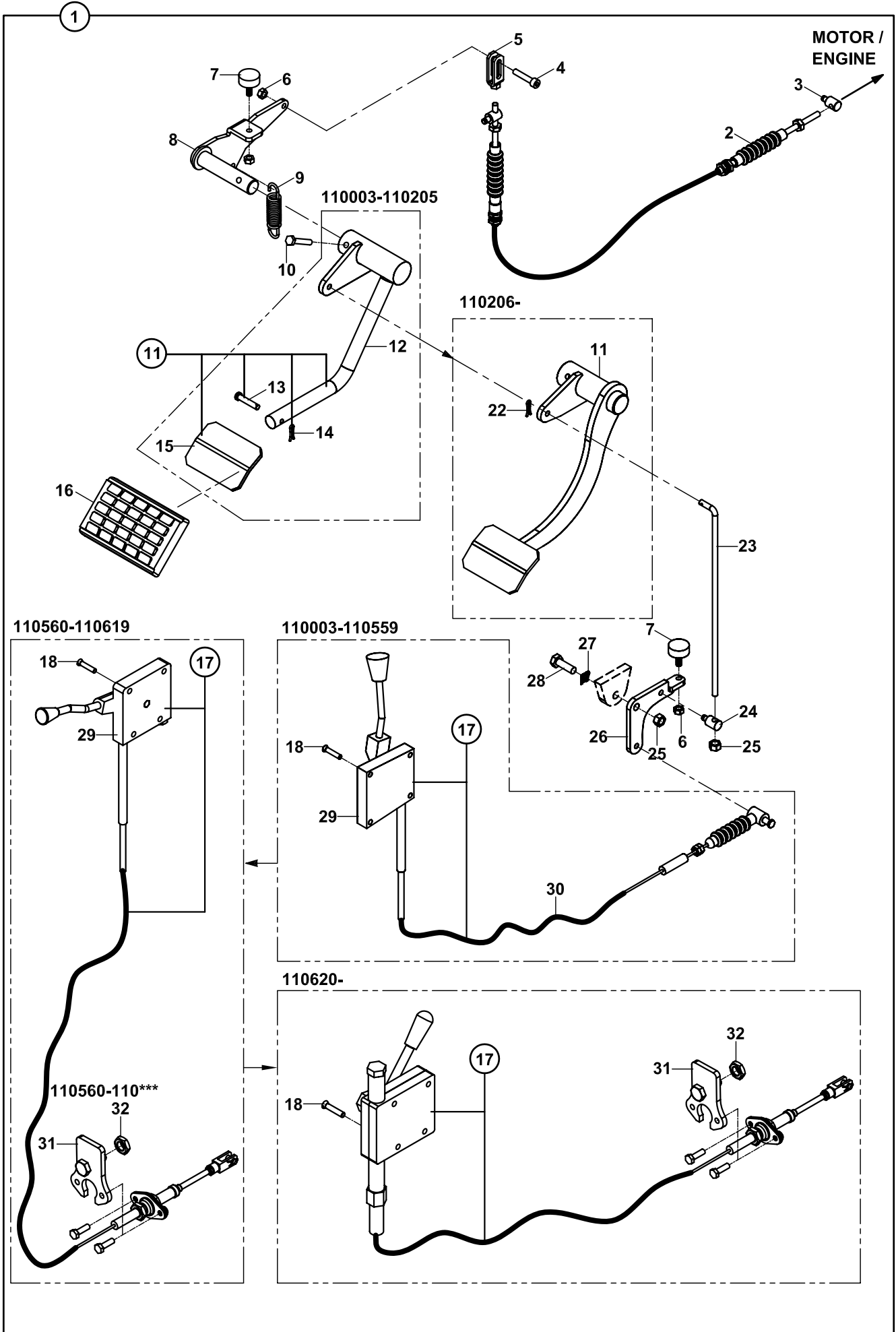
NO NO	PARÇA NO PART NO	TANIM	DESCRIPTION	ADET QTY	S.K. S.C.	SERİ NO SERIAL NO	D.T. ICA	NOT NOTE
1	* V011/05 018/29625	ARKA KUMANDA MEKANİZMASI (DIS10968)	CONTROL MECHANISM, BACKHOE (DIS10968)	1	RK SOP			
2	N03/1170019	PUL, M10	WASHER, M10	6				
3	018/29191	KÜRESEL MAFSAL	ROD END	6				
4	813/00150	MAFSAL PIMI	PIN, JOINT	1				
5	F99/60040	KÜRESEL MAFSAL	ROD END	1				
6	N01/5870014	CIVATA	BOLT	1				
7	N03/0001850	PUL, ÖZEL	WASHER	1				
8	N02/3570182	SOMUN, M8	NUT M8	12				
9	020/20713	KILIT PIMI	PIN, CLEVIS	6				
10	F99/60055	MAFSAL PIMI	PIN, JOINT	6				
11	F99/60050	MAFSAL ÇATALI	CLEVIS	6				
12	020/20801	KUMANDA ÇUBUGU	ROD	4				
13	020/20800	KUMANDA ÇUBUGU	ROD	2				
14		ARKA KUMANDA BLOĞU	BACKHOE CONTROL VALVE	1				E2-2-1-OP3
15	N01/5870866	CIVATA M10x50	BOLT M10x50	3				
16	019/91572	KLAVUZ SACI	PLATE	1				
17	019/91578	KILITLEME SACI	LOCKING PLATE	1				
18	019/91571	KLAVUZ SACI	PLATE	1				
19	N04/3120794	AYAR VİDASI	SETSCREW	2				
20	807/06615	YAY	SPRING	2				
21	F99/77905	SÜRTÜNME PLAKASI	FRICTION PLATE	2				
22	019/29293	KUMANDA SACI	MOUNTING PLATE	1				
23	F99/77906	SES ÖNLEYİCİ	NOISE PREVENTIVE	1				
24	N02/5900086	SOMUN M10	NUT M10	2				
25	N02/5900182	SOMUN M16x2	NUT M16x2	1				
26	N03/1170029	PUL	WASHER	1				
27	N01/0370962	CIVATA M12x90	BOLT M12x90	1				
28	N03/2500016	PUL M12	WASHER M12	3				
29	N03/0312201	PUL	WASHER	4				
30	020/20797	MAFSAL PARÇASI	JOINT PART	1				
31	020/20811	KUMANDA MAFSALI	JOINT	2				
32	N08/1210020	GRESÖRLÜK	GREASE NIPPLE	2				
33	N02/5900122	SOMUN M12	NUT M12	1				

BOM KİLİDİ VE MEKANİZMASI
BOOM LOCKING AND MECHANISM

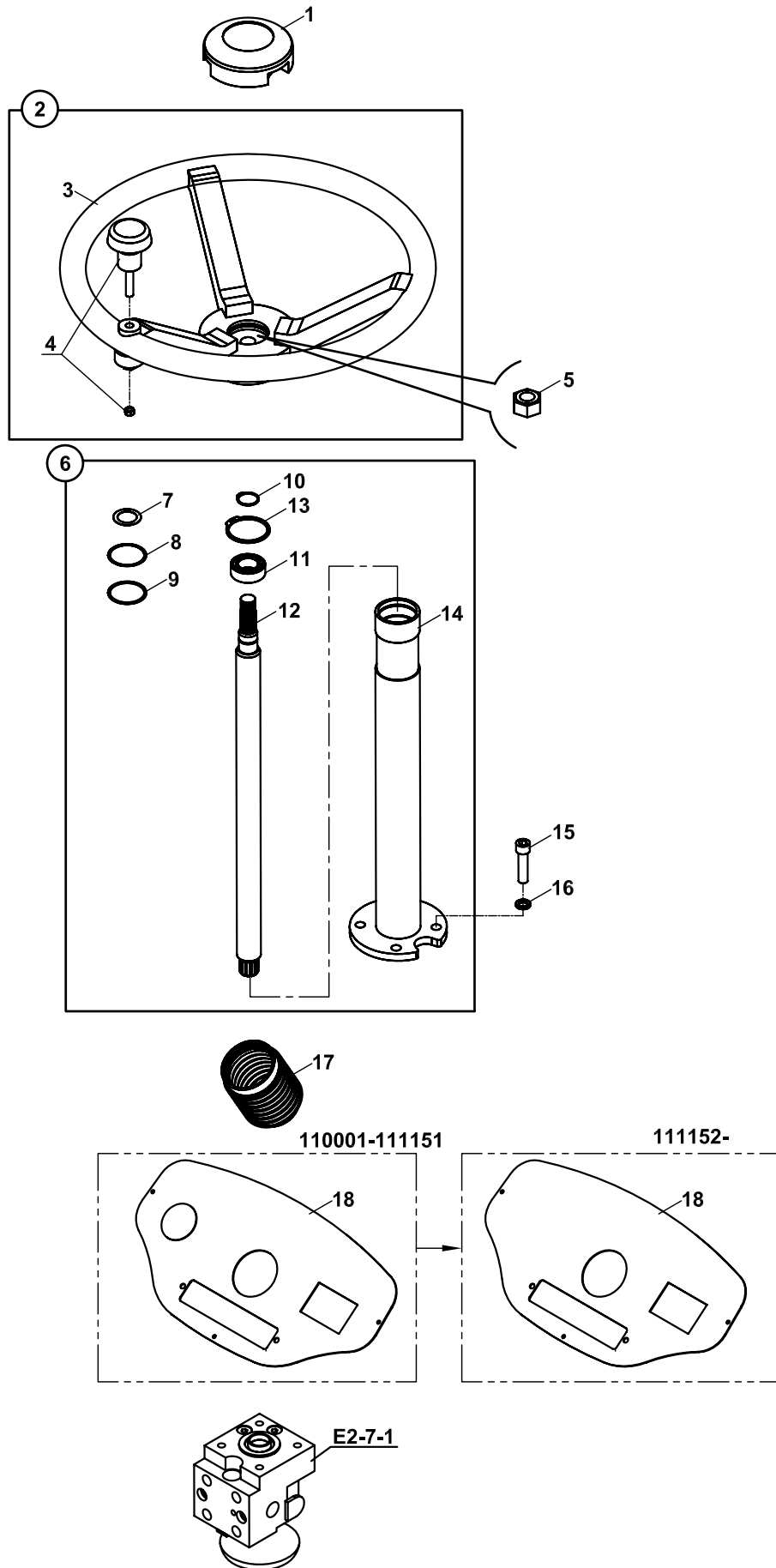
NO NO	PARÇA NO PART NO	TANIM	DESCRIPTION	ADET QTY	S.K. S.C.	SERİ NO SERIAL NO	D.T. ICA	NOT NOTE
	*V011/01							
	011/00001							
1	018/33155	MEKANİZMA MONTAJI	MECHANISM ASSY.	1		(*) -		
2	F31/13103	MEKANİZMA,KABLO KOMP.	LEVER AND CABLE, ASSY	1				
3	N04/3701370	VİDA M6x30	SCREW M6x30	4				
4	810/40005	DESTEK LASTİĞİ	RUBBER MOUNTING	1				
6	N01/5870374	CİVATA M6x40	BOLT M6x40	2				
7	N07/2012003	KELEPÇE GÖVDESİ	CLAMP	2				
9	020/11743	KELEPÇE BAĞLANTI SACI	BRACKET	1				
10	N01/0221442	CİVATA M6x10	BOLT M6x10	2				
11	N01/0223650	CİVATA M16x70	BOLT M16x70	1				
12	N02/3570314	SOMUN M16	NUT M16	1				
13	018/33152	BOM KİLİDİ KOMPLE	BOOM LOCKING ASSY	1		(*) - 110178		(2)
	018/33153	BOM KİLİDİ KOMPLE	BOOM LOCKING ASSY	1		110179 -	X	(1)
14	801/16200	PİM	PIN	1				
15	019/92782	KİLİT TABLASI KOMPLE	LOCKING BRACKET	1		(*) - (*)		(3)
	019/92783	KİLİT TABLASI KOMPLE	LOCKING BRACKET	1		(*) - (*)		(4)
	019/92784	KİLİT TABLASI KOMPLE	LOCKING BRACKET	1		(*)	X	(4)
16	N15/6451918	SIKMA KOVANI	EXPANSION PIN	1		110001 - (*)		
17	020/01652	ARA PARÇA	PLATE	1		110001 - (*)		
18	810/14449	PİM	PIN	1		(*)		
	811/01016	PİM	PIN	1				
19	019/92679	KOL SACI KOMPLE	MOUNTING PLATE	1				
20	N01/5870434	CİVATA M8x12	BOLT M8x12	2				
21	N03/0108001	PUL M8	WASHER M8	2				
22	N15/6451898	SIKMA KOVANI	EXPANSION PIN	1		110001 - (*)		
PARÇA NO TAYİNİ İÇİN KATALOG SONUNDAKİ EK' E BAKINIZ.								
FOR PART NUMBER SELECTION SEE THE APPENDIX AT THE END OF THE CATALOG								

NOT / NOTE: (1) 110120, 110131, 110142-144, 110158-161, 110167-168, 110171-172 seri noları da dahil/ Also includes the serials'
(2) 110120, 110131, 110142-144, 110158-161, 110167-168, 110171-172 seri noları hariç/ Not includes the serials'
(3) ÇELİK DÖNÜŞ KUTUSU İLE / WITH STEEL KINGPOST
(4) DÖKÜM DÖNÜŞ KUTUSU İLE / WITH CAST KINGPOST

EL GAZI KOLU VE GAZ PEDALI MEKANİZMASI HAND THROTTLE AND ACCELERATOR PEDAL



KONTROL, DİREKSİYON
STEERING COLUMN



**HİDROLİK, ANA DAĞITIM, POMPA, ORTAK
CIRCIUT, HYDRAULIC, PUMP, COMMON**

NO NO	PARÇA NO PART NO	TANIM	DESCRIPTION	ADET QTY	S.K. S.C.	SERİ NO SERIAL NO	D.T. ICA	NOT NOTE
	* V011/08/04				RK			
1		POMPA	PUMP	1				☞ E2-5-1-OP1
2	452/10276	TESİSAT BORUSU	PIPE	1				
3	N10/2004735	O-RİNG	O-RING	1				
4	N01/5875006	CİVATA 1/2"x30	BOLT 1/2"x30	4				
5	N16/5130496	BAĞLANTI FLANŞI	FLANGE	1				
6	809/08520	CONTA	GASKET	1				
7	N03/0000025	PUL	WASHER	4				
8	806/28430	NİPEL	ADAPTER	2				
9	F99/70000	MANOMETRE PRİZİ	ADAPTER, PRESSURE	2				

HİDROLİK, EK TESİSAT, NB+KT, A.K.V, E2-1-1-OP2 İLE
CIRCUIT, HYDR., ADDITIONAL, NB+KT, A.K.V, WITH E2-1-1-OP2

NO NO	PARÇA NO PART NO	TANIM	DESCRIPTION	ADET QTY	S.K. S.C.	SERİ NO SERIAL NO	D.T. ICA	NOT NOTE
	018/41353				RK			
1	666/4425145	HORTUM	HOSE	1				
2	N16/3750094	RAKOR, DİRSEK	ADAPTER, ELBOW	1				
3	666/4424055	HORTUM	HOSE	1				
4	632/5521055	HORTUM	HOSE	1				
5	666/4421060	HORTUM	HOSE	1				

**HİDROLİK, EK TESİSAT, TB+KT, BUCHER HDS30/2, E2-1-1-OP1 İLE
CIRCUIT, HYDR., ADD., TB+KT, BUCHER HDS30/2, WITH E2-1-1-OP1**

NO NO	PARÇA NO PART NO	TANIM	DESCRIPTION	ADET QTY	S.K. S.C.	SERİ NO SERIAL NO	D.T. ICA	NOT NOTE
	018/41354				RK			
1	666/4422140	HORTUM	HOSE	1				
2	N16/3750094	RAKOR, DİRSEK	ADAPTER, ELBOW	1				
3	666/4425190	HORTUM	HOSE	1				
4	666/442K155	HORTUM	HOSE	1				
5	632/5521055	HORTUM	HOSE	1				
6	632/5520042	HORTUM	HOSE	1				

**HİDROLİK, FREN, TEK FREN PEDALLI, KOMPRESÖRLÜ
CIRCUIT, HYDRAULIC BRAKE, WITH SINGLE BRAKE PEDAL, COMPRESSOR**

NO NO	PARÇA NO PART NO	TANIM	DESCRIPTION	ADET QTY	S.K. S.C.	SERİ NO SERIAL NO	D.T. ICA	NOT NOTE
	*V011/20/11 018/45053							
1	N16/3750045	RAKOR	ADAPTER	1		110001 - 112006		
	N16/3750073	RAKOR	ADAPTER	1		112007 -	X	
2	663/1121160	HORTUM	HOSE	1		110001 - 112006		
	664/2221160	HORTUM	HOSE	1		112007 -	X	
3	663/1121125	HORTUM	HOSE	1				
4	663/1121075	HORTUM	HOSE	2				
5	663/1121095	HORTUM	HOSE	1				
6	630/4424070	HORTUM	HOSE	1				
7	664/2221090	HORTUM	HOSE	1				
8	452/51625	TESİSAT BORUSU	PIPE	1				
9	N16/3430234	NİPEL	ADAPTER	2				
10	N16/3570144	T. RAKOR	TEE	1		110001 - 112006		
	806/30400	T. RAKOR	TEE	1		112007 - 112299	X	
	806/30410	T. RAKOR	TEE	1		112300 -	Y	
11	452/51626	TESİSAT BORUSU	PIPE	1				
12	N03/0212182	PUL	WASHER	2				
13	N16/3790038	T. RAKOR	TEE	1	A			
	N16/3770045	T. RAKOR	TEE	1				
14	F99/70090	MANOMETRE PRİZİ	ADAPTER, PRESSURE	1		112300 -	Y	

NOT/NOTE: 110977,110978,110979,110980,110981,110982,110983,110984,111014,111015,111016,111017,111018,111019
111020,111021,111022,111023,111024 NO'LU MAKİNALARDA UYGULANMIŞTIR.
ALSO APPLIED TO THE MACHINES WITH SERIAL NO 110977,110978,110979,110980,110981,110982,110983,110984,
111014,111015,111016,111017,111018,111019, 111020,111021,111022,111023,111024

**HİDROLİK, KALDIRICI SİLİNDİR, YÜKLEYİCİ
CIRCUIT, RAM, LIFT, LOADER**

NO NO	PARÇA NO PART NO	TANIM	DESCRIPTION	ADET QTY	S.K. S.C.	SERİ NO SERIAL NO	D.T. ICA	NOT NOTE
	018/43055				RK			
1	N07/4100120	KELEPÇE	CLIP	4				
2	020/11041	HORTUM MUHAFAZA SACI	HOSE PROTECTION PLATE	2				
3	452/51565	TESİSAT BORUSU	PIPE	2				
4	664/222B160	HORTUM	HOSE	1		110001 - 110210		
5	664/2221220	HORTUM	HOSE	1		110001 - 110210		
6	510/12200	KABLO BAĞI	TIE, CABLE	4				
7	N07/3020000	KELEPÇE	CLIP	2				
8	N16/3790073	RAKOR, T	TEE	2				
9	N16/3750073	DİRSEK, RAKORLU	ADAPTER, ELBOW	2		110001 - 110210		
10	664/2221185	HORTUM	HOSE	1		110001 - 110210		
11	664/222B140	HORTUM	HOSE	1		110001 - 110210		

HİDROLİK, SABİT KEPÇE TESİSATI, YÜKLEYİCİ
HYDRAULIC, SHOVEL INSTALLATION, LOADER

NO NO	PARÇA NO PART NO	TANIM	DESCRIPTION	ADET QTY	S.K. S.C.	SERİ NO SERIAL NO	D.T. ICA	NOT NOTE
1	* V011/16/04 018/90224	KÖRTAPA M24, KOMPLE	PLUG, M24, ASSY	2	RK			
2	N10/2001417	O-RING	O-RING	1				
3	814/05224	KÖRTAPA	PLUG	1				
4	N17/3570248	SOMUN	NUT	1				
5	N05/0020027	SEGMAN	RETAINING RING	1				
6		KUMANDA KOLU	LOADER CONTROL LEVER	1				☞ D1-2-1

**HORTUM TUTUCU SETİ, HİDROLİK, TB+KT, KAZICI
HOSE HOLDER SET, HYDRAULIC, TB+KT, BACKHOE**

NO NO	PARÇA NO PART NO	TANIM	DESCRIPTION	ADET QTY	S.K. S.C.	SERİ NO SERIAL NO	D.T. ICA	NOT NOTE
	* 011/000001 018/44681				RK RK			
1	N07/2130016	HORTUM TUTUCU, 10 LÜ - KAUÇUK	HOSE HOLDER, RUBBER	2				
2	810/49012	HORTUM TUTUCU SACI	HOSE HOLDER PLATE	1				
3	N01/5870914	CİVATA M10x70	BOLT M10x70	2				
4	N02/5900062	SOMUN M8	NUT M8	2				
5	N03/0020011	PUL M8	WASHER M8	8				
6	N01/0222162	CİVATA M8x30	BOLT M8x30	2				
7	N03/0020018	PUL M10	WASHER M10	4				
8	N02/5900086	SOMUN M10	NUT M10	2				
9	810/49031	HORTUM TUTUCU SACI	HOSE HOLDER PLATE	3				
10	N01/5870408	CİVATA M6x60	BOLT M6x60	8				
11	N07/2130213	HORTUM TUTUCU, 6 LI - KAUÇUK	HOSE HOLDER, RUBBER	4				
12	N02/5900050	SOMUN M6	NUT M6	8				
13	810/49036	HORTUM TUTUCU SACI	HOSE HOLDER PLATE	3				
14	N07/2130220	HORTUM TUTUCU, 7 LI - KAUÇUK	HOSE HOLDER, RUBBER	4				
15	N01/5870386	CİVATA M6x45	BOLT M6x45	2				
	N01/5870398	CİVATA M6x50	BOLT M6x50	2				Y,G
16	020/00977	KELEPÇE ÜST PARÇASI	COVER, CLAMP	1				
17	N07/2022003	KELEPÇE GÖVDESİ	CLAMP BODY	2				
	N072027513	KELEPÇE GÖVDESİ	CLAMP BODY	2				Y,G
18	020/11309	DUVAR NİPELİ BAĞLANTI SACI	ADAPTER MOUNTING PLATE	1				
19	N01/0222078	CİVATA M8x15	BOLT M8x15	4				
20	810/48112	KELEPÇE MUHAFAZASI	CLAMP PROTECTION	1				
21	810/49044	HORTUM TUTUCU	HOSE HOLDER	1				
22	N01/0370410	CİVATA M8x50	BOLT M8x50	3				
23	N07/2130090	HORTUM TUTUCU, 4 LÜ - KAUÇUK	HOSE HOLDER, RUBBER	1				
24	810/49045	HORTUM TUTUCU SACI	HOSE HOLDER PLATE	1				
25	N07/3017513	KELEPÇE GÖVDESİ , ÇİFTLİ	CLAMP BODY	2				
26	N07/3017512	KELEPÇE ÜST PARÇASI, ÇİFTLİ	COVER, CLAMP	1				
27	N01/0370398	CİVATA M8x45	BOLT M8x45	1				
28	N07/2130137	HORTUM TUTUCU, 6 LI - KAUÇUK	HOSE HOLDER, RUBBER	2				
29	N01/0370446	CİVATA M8x60	BOLT M8x60	4				
30	N07/2130138	HORTUM TUTUCU, 6 LI - KAUÇUK	HOSE HOLDER, RUBBER	2				
31	810/49038	TESİSAT TUTUCU LAMA	PIPE HOLDER	1				
32	810/49041	TESİSAT TUTUCU LAMA	PIPE HOLDER	1				

HİDROLİK, DÖNÜŞ SİLİNDİRİ, (DIS 10968)
HYDRAULIC, RAM, SLEW/SWING, (DIS 10968)

NO NO	PARÇA NO PART NO	TANIM	DESCRIPTION	ADET QTY	S.K. S.C.	SERİ NO SERIAL NO	D.T. ICA	NOT NOTE
	018/44628				RK			
1	663/1120155	HORTUM	HOSE	1				
2	663/1120170	HORTUM	HOSE	1				
3	N16/3610129	DİRSEK, DUVAR NİPELİ	ADAPTER	2				
4	804/00632	ÖZEL SOMUN	NUT	2				
5	663/1121065	HORTUM	HOSE	2				
6	814/00360	TESİSAT ALTLIGI	HOSE SUPPORTER	2				
7	N07/4120140	KELEPÇE	CLIP	2				
8	663/112A044	HORTUM	HOSE	1				
9	663/112A051	HORTUM	HOSE	1				
10	452/50163	TESİSAT BORUSU	PIPE	2				
11	N16/3790038	T. RAKOR	TEE	2				

NOT/NOTE: 112321, 324,325,329, 330, 331, 332, 333, 334, 335, 336, 337, 338, 340, 344, 345, 346, 350, 369, 370, 372, 377, 378,379, 380, 390, 397, 398, 404, 406, 407, 421, 424, 425, 426, 427, 428, 429,430, 432, 433, 436, 437, 440, 441, 442, 443, 444,445 446, 448, 449, 450, 451, 452, 453, 456, 457, 458, 459, 460 NOLU MAKİNALARDA UYGULANMIŞTIR.
ALSO APPLIED TO THE MACHINES WITH SERIAL NO 112321, 324,325,329, 330, 331, 332, 333, 334, 335, 336, 337, 338, 340, 344, 345, 346, 350, 369, 370, 377, 378, 379, 380, 390, 397, 398, 404, 406, 407, 421, 424, 425, 426, 427, 428, 429, 430, 432, 433, 436, 437, 440, 441, 442, 443, 445, 446, 448, 449, 450, 451, 452, 453, 456, 457, 458, 459, 460

**HİDROLİK, DEVİRİCİ SİLİNDİR, (DIS 10968), KAZICI
HYDRAULIC, RAM, DIPPER, (DIS 10968), BACKHOE**

NO NO	PARÇA NO PART NO	TANIM	DESCRIPTION	ADET QTY	S.K. S.C.	SERİ NO SERIAL NO	D.T. ICA	NOT NOTE
	018/44647				RK			
1	665/3320175	HORTUM	HOSE	1				
2	664/2220155	HORTUM	HOSE	1				
3	N16/3610234	DUVAR NİPELİ, M26x1.5	ADAPTER, M26x1.5	1				
4	N16/3610212	DUVAR NİPELİ, M24x1.5	ADAPTER, M24x1.5	1				
5	804/00634	SOMUN, M24x1.5	NUT, M24x1.5	1				
6	804/00636	SOMUN, M26x1.5	NUT, M24x1.5	1				
7	665/3320310	HORTUM	HOSE	1				
8	664/2220325	HORTUM	HOSE	1				
9	N01/5870386	CİVATA, M6x45	BOLT, M6x45	4				
10	N07/2020503	KELEPÇE GÖVDESİ	CLAMP BODY	2				
11	N07/2020001	KELEPÇE ALTLIĞI	BASE, CLAMP	1				
12	N07/2025001	KELEPÇE ALTLIĞI	BASE, CLAMP	1				
13	N07/2023503	KELEPÇE GÖVDESİ	CLAMP BODY	2				

HİDROLİK, KIVIRICI SİLİNDİR, NB, (DIS10968)
HYDRAULIC, RAM, BUCKET, NB, (DIS10968)

NO NO	PARÇA NO PART NO	TANIM	DESCRIPTION	ADET QTY	S.K. S.C.	SERİ NO SERIAL NO	D.T. ICA	NOT NOTE
	018/44667				RK			
1	665/3320165	HORTUM	HOSE	1				
2	664/2220155	HORTUM	HOSE	1				
3	N16/3610234	DİRSEK, DUVAR NİPELİ	ADAPTER	1				
4	N16/3610212	DİRSEK, DUVAR NİPELİ	ADAPTER	1				
5	804/00636	ÖZEL SOMUN	NUT	1				
6	804/00634	ÖZEL SOMUN	NUT	1				
7	664/2221260	HORTUM	HOSE	1				
8	665/3321260	HORTUM	HOSE	1				
9	665/332A160	HORTUM	HOSE	1				
10	664/222A255	HORTUM	HOSE	1				
11	N07/4100120	KELEPÇE	CLIP	1				
12	814/00375	TESİSAT ALTLIĞI	HOSE SUPPORTER	1				

NOT/NOTE: 112321, 324,325,329, 330, 331, 332, 333, 334, 335, 336, 337, 338, 340, 344, 345, 346, 350, 369, 370, 372, 377, 378,379, 380, 390, 397, 398, 404, 406, 407, 421, 424, 425, 426, 427, 428, 429,430, 432, 433, 436, 437, 440, 441, 442, 443, 444,445 446, 448, 449, 450, 451, 452, 453, 456, 457, 458, 459, 460 NOLU MAKİNALARDA UYGULANMIŞTIR.
ALSO APPLIED TO THE MACHINES WITH SERIAL NO 112321, 324,325,329, 330, 331, 332, 333, 334, 335, 336, 337, 338, 340, 344, 345, 346, 350, 369, 370, 377, 378, 379, 380, 390, 397, 398, 404, 406, 407, 421, 424, 425, 426, 427, 428, 429, 430, 432, 433, 436, 437, 440, 441, 442, 443, 445, 446, 448, 449, 450, 451, 452, 453, 456, 457, 458, 459, 460

HİDROLİK, KIRICI TESİSAT, NK, ATAŞMAN KUMANDA VALFLİ
HYDRAULIC, BREAKER INSTALLATION, NK, WITH ATTACHMENT CONTROL VALVE

NO NO	PARÇA NO PART NO	TANIM	DESCRIPTION	ADET QTY	S.K. S.C.	SERİ NO SERIAL NO	D.T. ICA	NOT NOTE
	018/44683				RK			
1	452/51668	TESİSAT BORUSU	PIPE	1				
	N16/3750094	RAKOR, DİRSEK	ADAPTER, ELBOW	1			Y,G	
2	630/442A185	HORTUM	HOSE	1				
	630/4421150	HORTUM	HOSE	1			Y,G	
3	665/3321170	HORTUM	HOSE	1				
4	N16/3610234	DİRSEK, DUVAR NİPELİ	ADAPTER	1				
5	N16/3610276	DİRSEK, DUVAR NİPELİ	ADAPTER	1				
6	804/00640	ÖZEL SOMUN	NUT	1				
7	804/00636	ÖZEL SOMUN	NUT	1				
8	665/3321250	HORTUM	HOSE	1				
9	630/4421245	HORTUM	HOSE	1				
10	630/442N255	HORTUM	HOSE	1		110001 - 110069		
	630/442N240	HORTUM	HOSE	1		110070 - 110552	Y	
	666/442N240	HORTUM	HOSE	1		110553 -	Y	
11	665/332N255	HORTUM	HOSE	1		110001 - 110069		
	665/332N240	HORTUM	HOSE	1		110070 -	Y	
12	806/24056	DUVAR NİPELİ M26	ADAPTER M26	1				
13	806/24057	DUVAR NİPELİ M30	ADAPTER M30	1				
14	804/00636	SOMUN M26	NUT M26	1				
15	804/00640	SOMUN M30	NUTM30	1				
16	N16/9900100	ÇABUK BAĞLANTI	QUICK COUPLING	2				
17	N03/0000025	PUL	WASHER	2				
18	806/24126	NİPEL M26	ADAPTER M26	1				
19	806/24230	NİPEL M30	ADAPTER M30	1				
20	N07/3023273	KELEPÇE GÖVDESİ, ÇİFTLİ	CLAMP BODY	2		110678 -		
21	N07/3023272	KELEPÇE ÜST PARÇASI	COVER, CLAMP	1		110678 -		
22	N01/0370410	CİVATA M8x50	BOLT M8x50	1		110678 -		
23	F99/00350	KORUYUCU KAPAK	COVER	2			Y	
24	F99/00351	KORUYUCU KAPAK	COVER	2			Y	

CLICK HERE TO **DOWNLOAD** THE COMPLETE MANUAL

- Thank you very much for reading the preview of the manual.
- You can download the complete manual from: www.heydownloads.com by clicking the link below



- Please note: If there is no response to CLICKING the link, please download this PDF first and then click on it.

CLICK HERE TO **DOWNLOAD** THE COMPLETE MANUAL

HİDROLİK, KOMPRESÖR
HYDRAULIC, COMPRESSOR

NO NO	PARÇA NO PART NO	TANIM	DESCRIPTION	ADET QTY	S.K. S.C.	SERİ NO SERIAL NO	D.T. ICA	NOT NOTE
	* V011/29/01							
1	018/53520	MONTAJ, MÜŞÜR	ASSY., SWITCH	1				
2	663/1121040	HORTUM	HOSE	1				
3	663/1120140	HORTUM	HOSE	1				
4	602/0020260	HORTUM	HOSE	1				
5	020/21330	BAĞLANTI SACI	MOUNTING PLATE	1				
6	806/99431	NİPEL KOMP.	ADAPTER	1				
7	814/01816	TAPA	PLUG	1				
8	810/40560	HORTUM SETİ	HOSE	1				
9	F25/20450	MANOMETRE	MANOMETER	1				
10	F18/01001	HAVA TAHLİYE VALFİ	VALVE, AIR DISCHARGE	1				
11	N01/0221478	CİVATA M6x15	BOLT M6x15	2				
12	018/61900	KOMPRESÖR-HİDROMOTOR	COMPRESSOR- HYDROMOTOR, ASSY.	1				
13		VALF	VALVE	1				☞ E2-22-1-OP
14	N01/0222138	CİVATA M8x25	BOLT M8x25	2				
15	N01/0370278	CİVATA M6x40	BOLT M6x40	4				
16		HİDROMOTOR	HYDROMOTOR	1				☞ E2-21-1-OP
17	F10/04001	KAPLİN ÇEMBERİ	COUPLING RING	1				
18	810/16101	KAPLİN	COUPLING	1				
19	F25/19000	KOMPRESÖR	COMPRESSOR	1		110000 - 111210		
	F25/19010	KOMPRESÖR	COMPRESSOR	1		111211 -		
20	806/03114	NİPEL	ADAPTER	1		110000 - 111210		
	806/03123	NİPEL	ADAPTER	1		111211 -		
21	F28/13600	FİLTRE, HAVA	FILTER, AIR	1				
22	806/10100	NİPEL, DİRSEKLİ	ADAPTER	1				
23	N16/3430241	NİPEL	ADAPTER	1		110000 - 111210		
	806/24216	NİPEL	ADAPTER	1		111211 -		
24	N01/0370386	CİVATA M8x40	BOLT M8x40	4				
25	N03/0100013	PUL	WASHER	4				
26	N02/3570158	SOMUN M6	NUT M6	4				
27	019/90046	MONTAJ SACI	MOUNTING PLATE	1				
28	N03/0100017	PUL	WASHER	6				
29	N02/3570182	SOMUN M8	NUT M8	6				
30	020/21329	BAĞLANTI SACI	BRACKET	1				
31	515/10050	BASINÇ MÜŞÜRÜ	SWITCH, PRESSURE	1				
32	N03/0210152	PUL	WASHER	1				
33	806/99948	NİPEL	ADAPTER	1				
34	N16/3790038	T RAKOR	TEE	1				
35	N99/3331608	ZİNCİR	CHAIN	1				
36	N01/0232822	CİVATA M12x25	BOLT M12x25	4				
37	N03/0100023	PUL	WASHER	4				

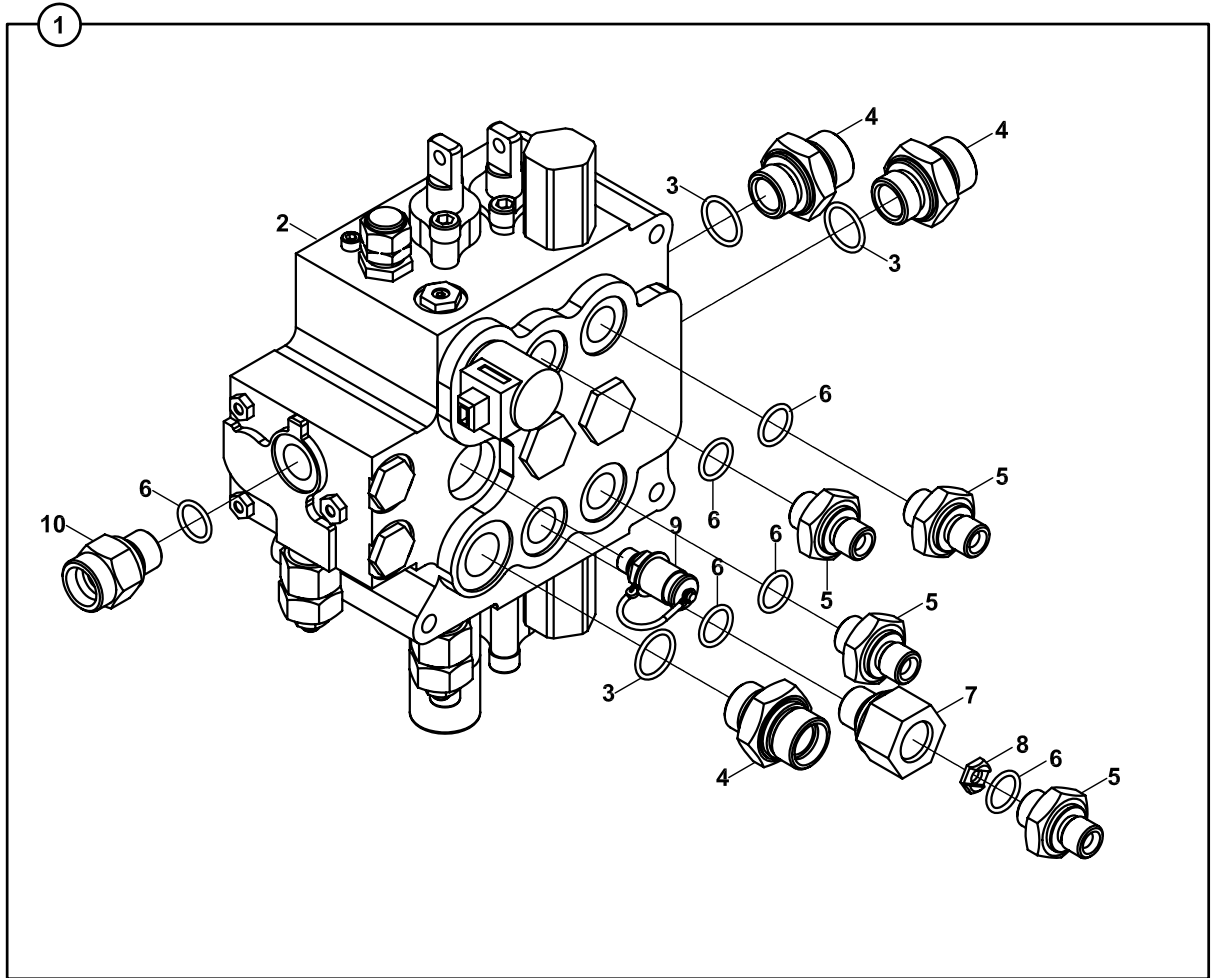
NOT/NOTE: 110977,110978,110979,110980,110981,110982,110983,110984,111014,111015,111016,111017,111018,111019

111020,111021,111022,111023,111024 NO'LU MAKİNALARDA UYGULANMIŞTIR.

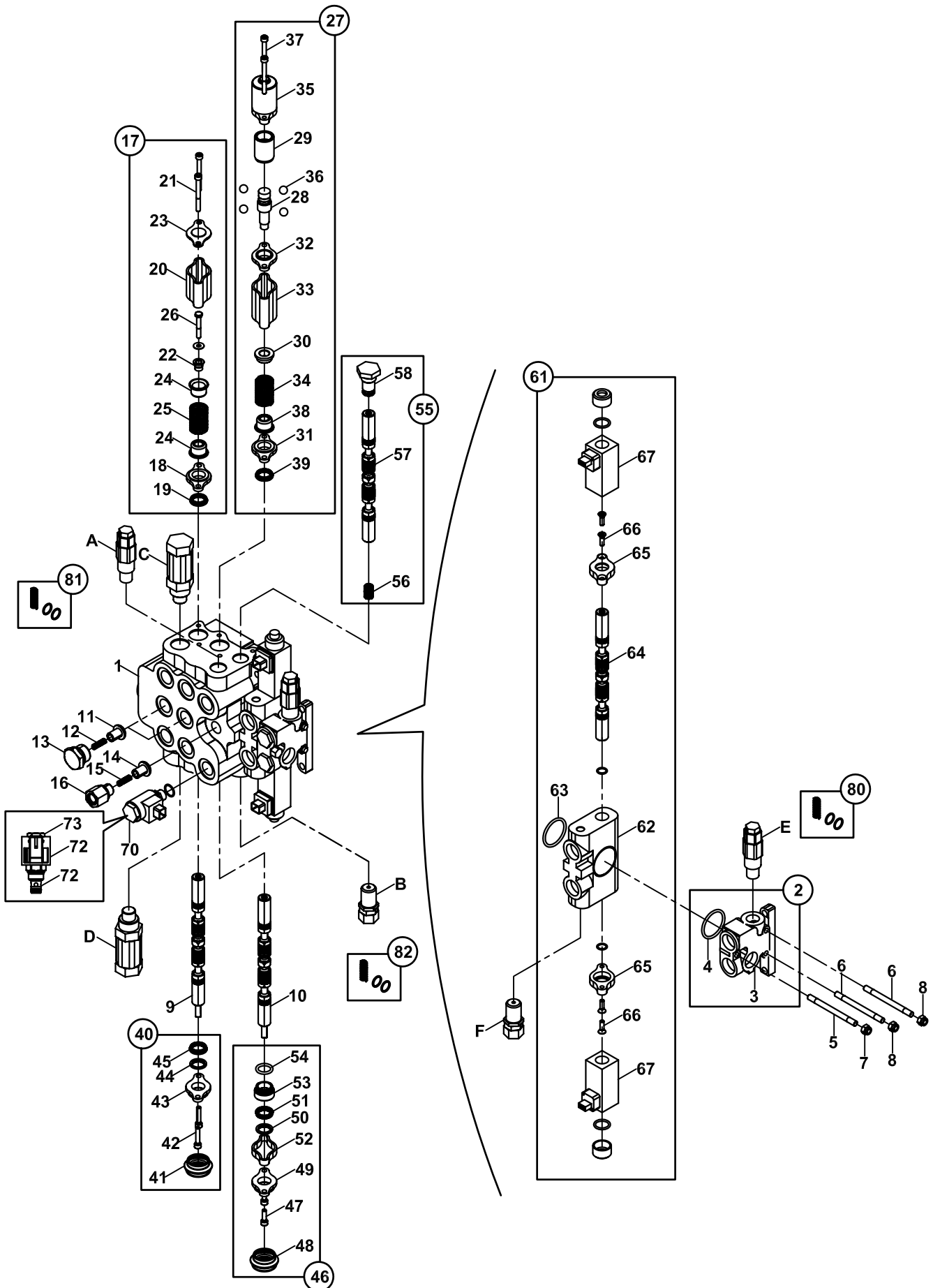
ALSO APPLIED TO THE MACHINES WITH SERIAL NO 110977,110978,110979,110980,110981,110982,110983,110984,

111014,111015,111016,111017,111018,111019, 111020,111021,111022,111023,111024

ÖN KUMANDA VALFİ VE NİPELLERİ-KEPÇE YERE PARALEL
LOADER CONTROL VALVE BLOCK AND ADAPTERS- WITH RETURN TO DIG

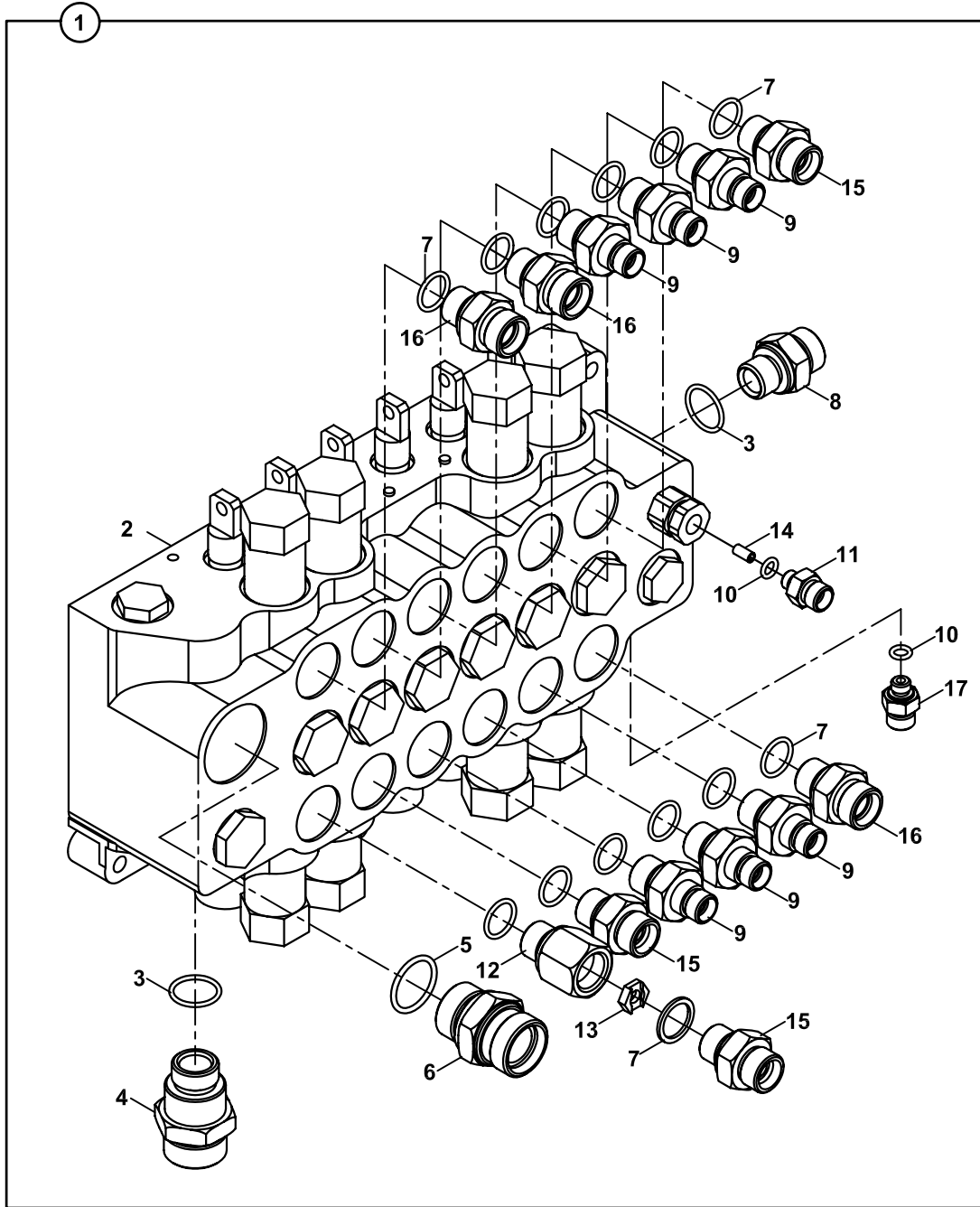
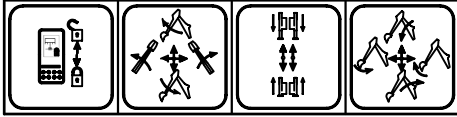


ÖN KUMANDA VALFİ - JOYSTİCK KUMANDALI LOADER CONTROL VALVE BLOCK - WITH JOYSTICK CONTROL

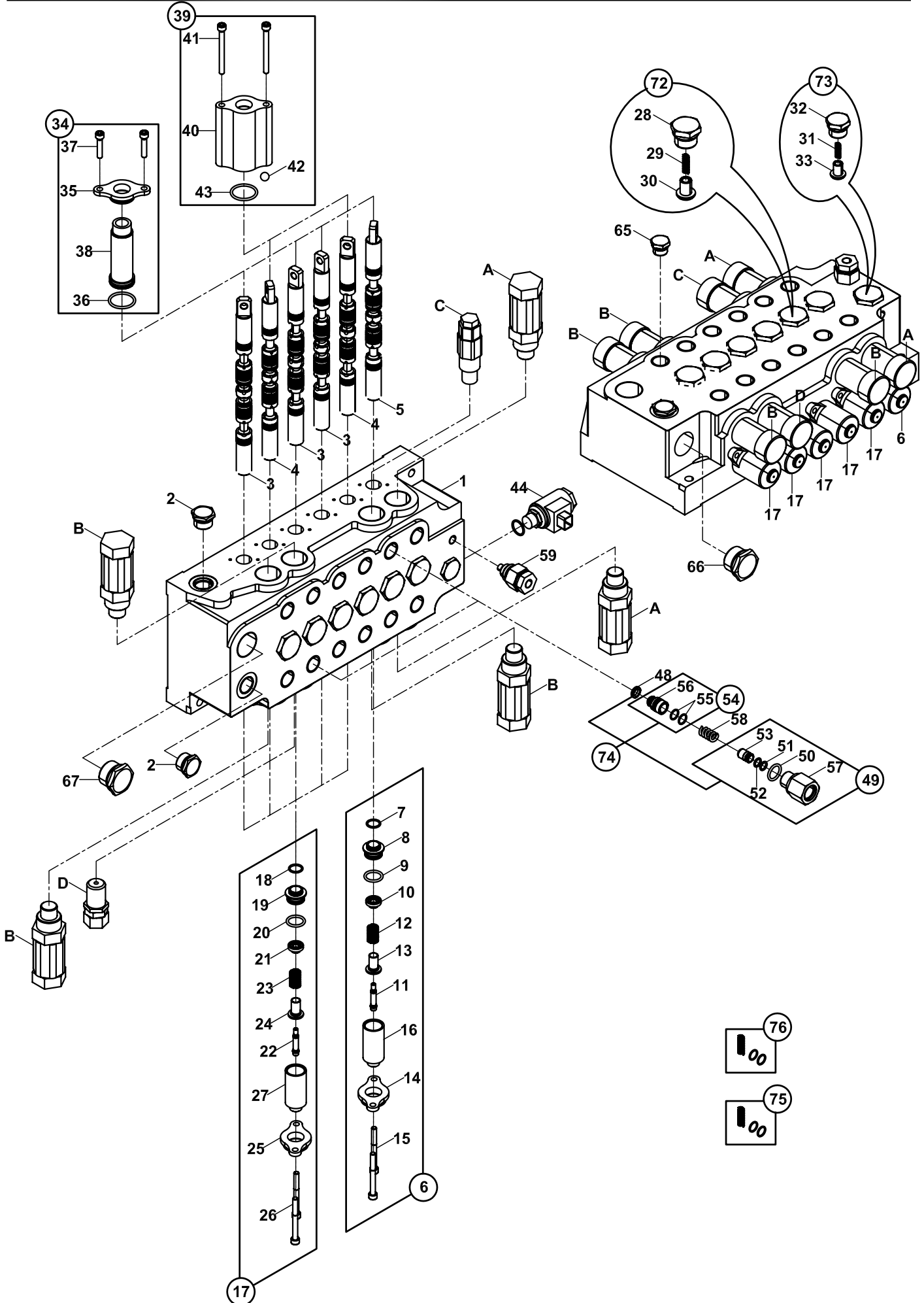


ARKA KUMANDA VALFİ VE NİPELLERİ, DIS 10968
BACKHOE CONTROL VALVE BLOCK AND ADAPTERS, DIS 10968

DIS 10968

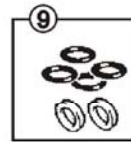
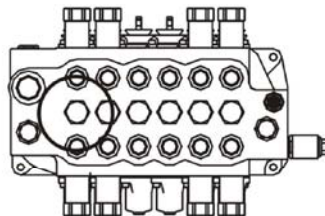
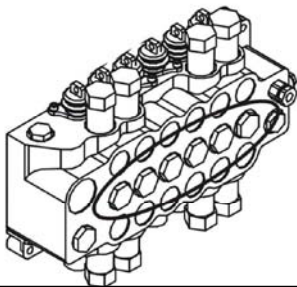
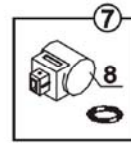
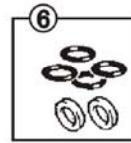
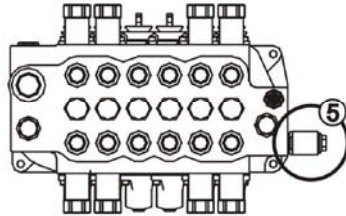
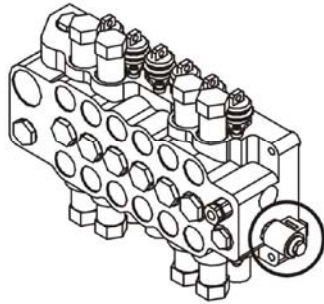
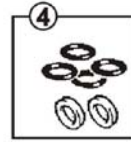
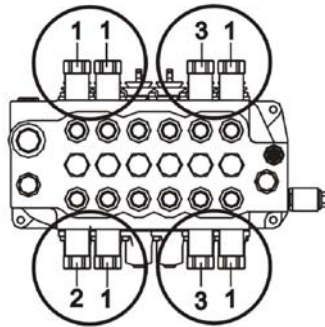
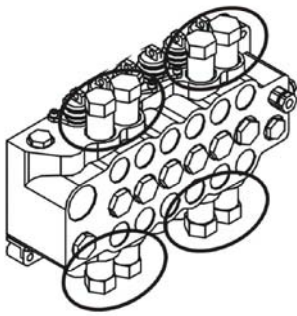


ARKA KUMANDA, KUMANDA ELEMANLARI, JOYSTICK KUMANDALI
BACKHOE CONTROL, DIRECTIONAL VALVE ELEMENTS, WITH JOYSTICK CONTROL

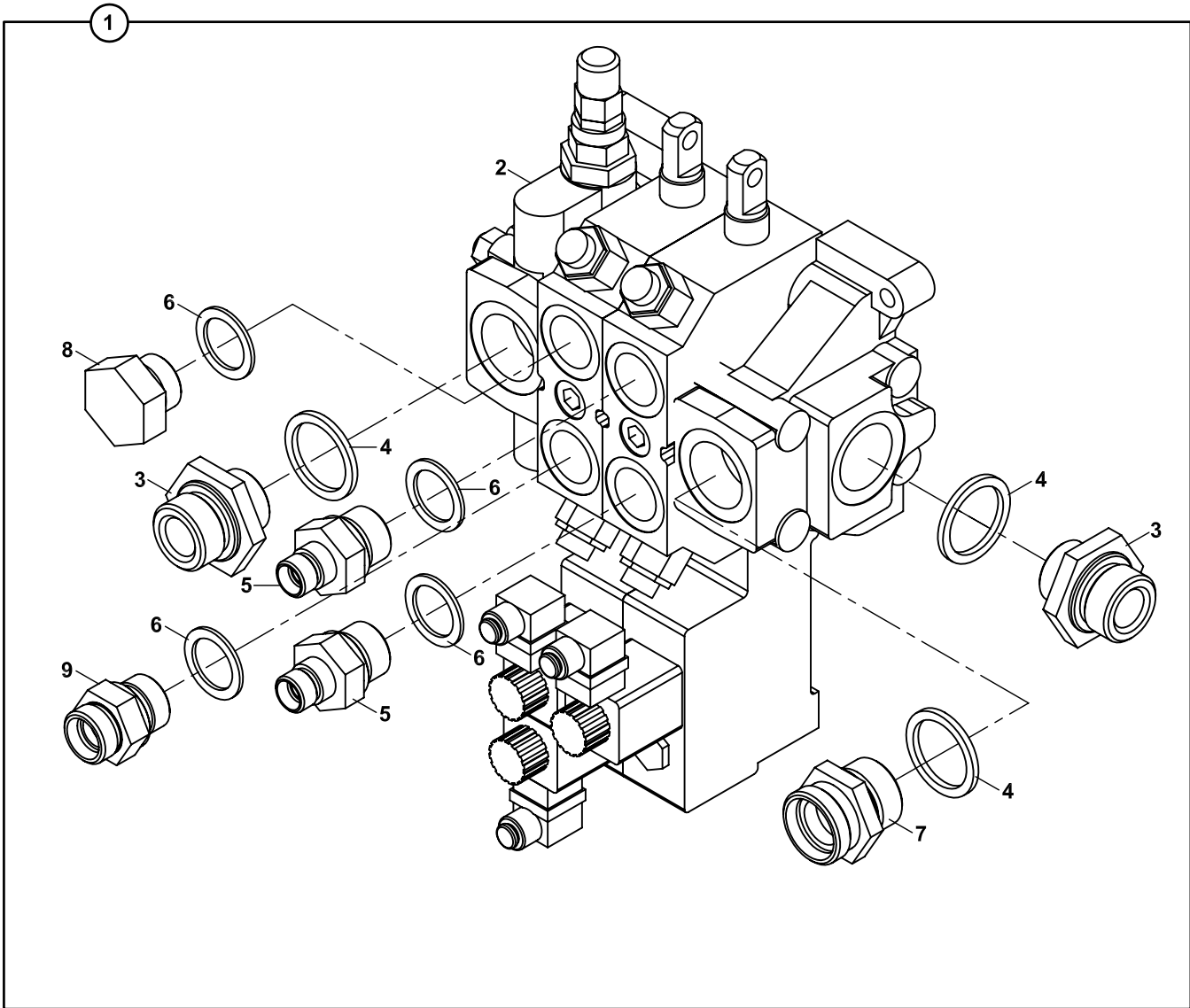


AKIŞ KONTROL VALFLERİ, KAZICI KUMANDA BLOĞU
FLOW CONTROL VALVES, BACKHOE CONTROL BLOCK

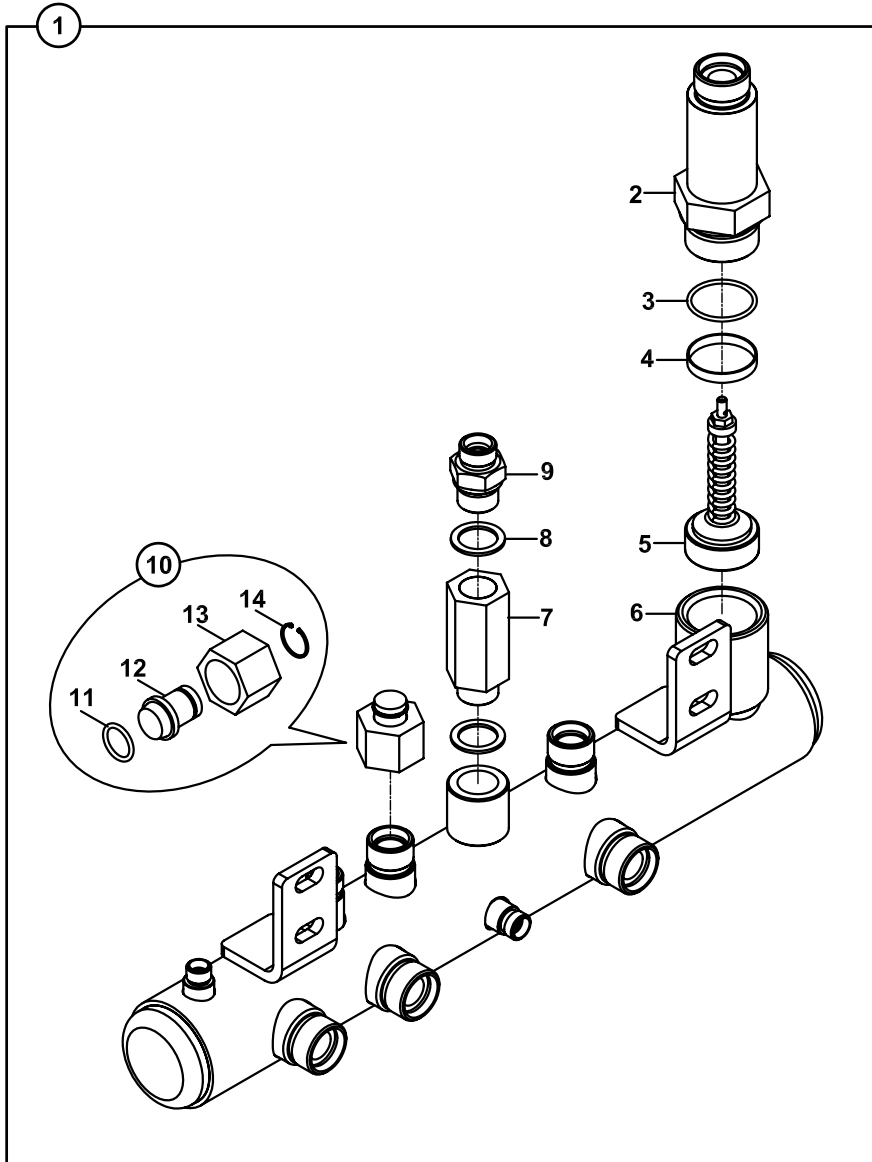
DIS 10968



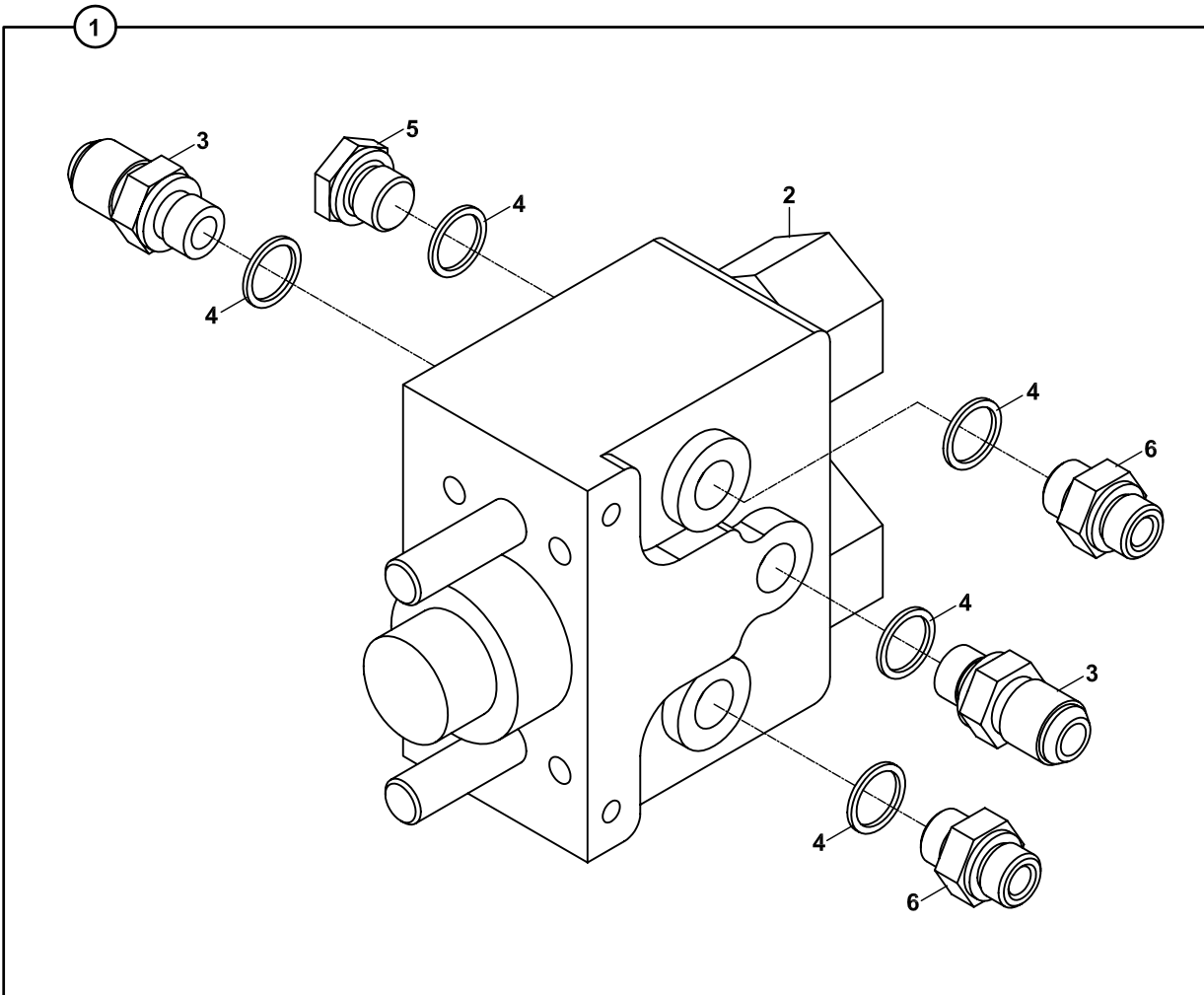
ATAŞMAN KUMANDA VALFİ VE NİPELLERİ, BUCHER - HDS30/2
ATTACHMENT CONTROL VALVE AND ADAPTERS, BUCHER - HDS30/2



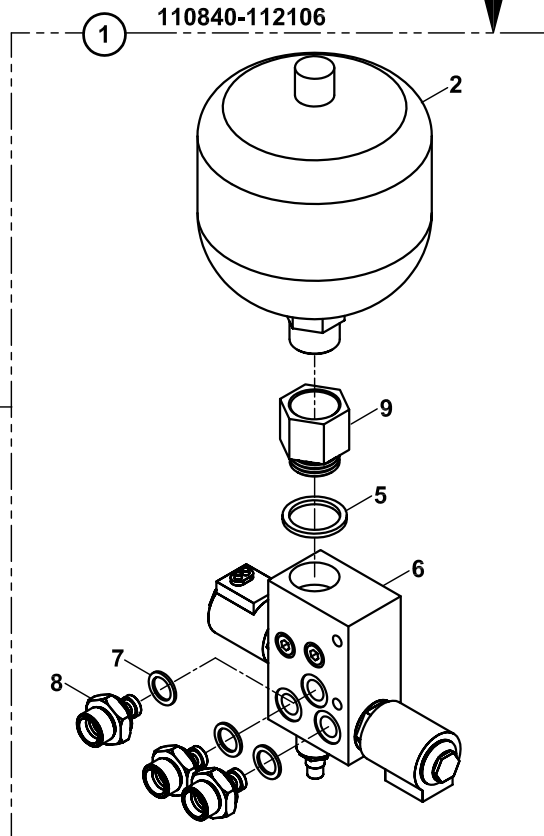
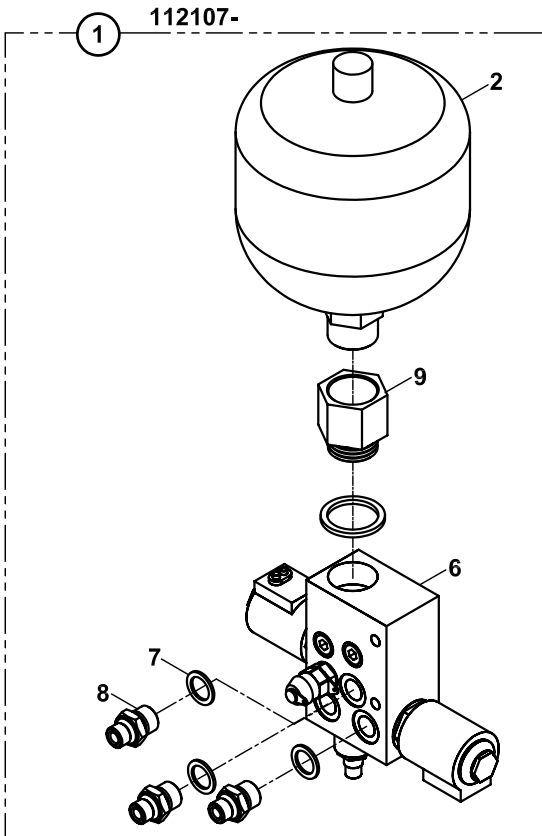
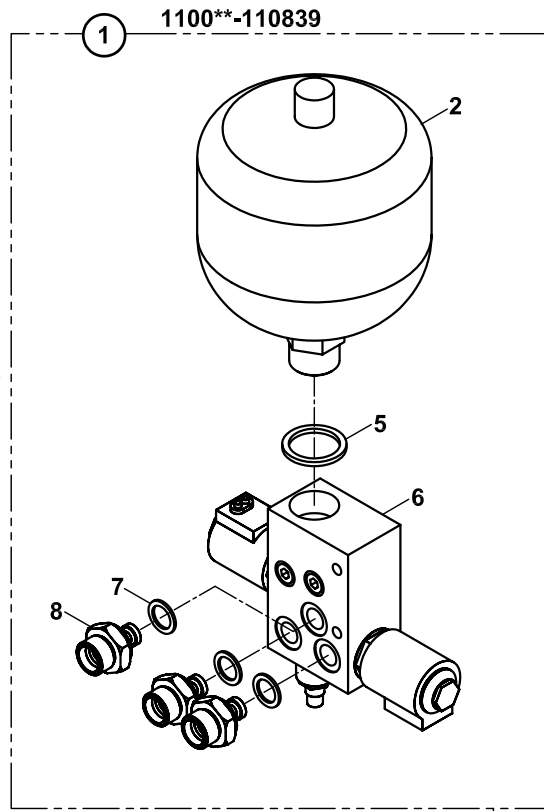
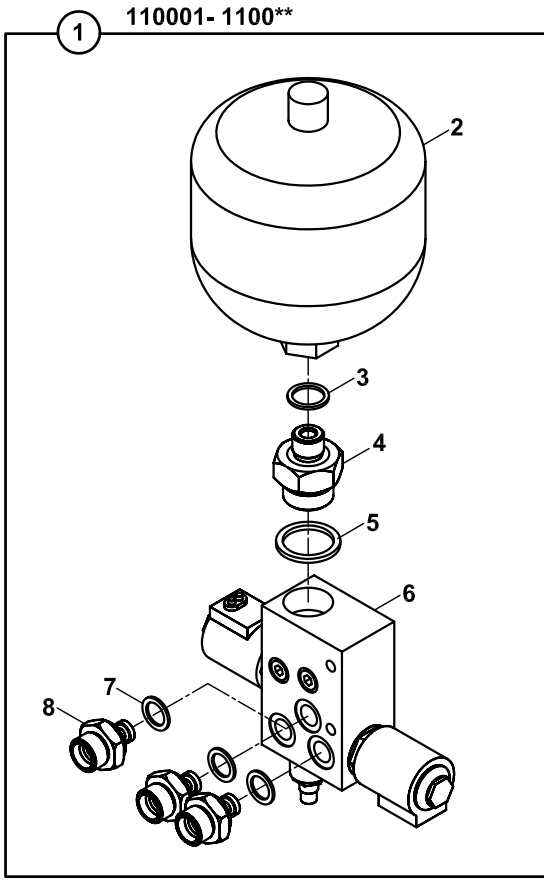
TOPLAMA TÜPÜ
TUBE, COLLECTOR



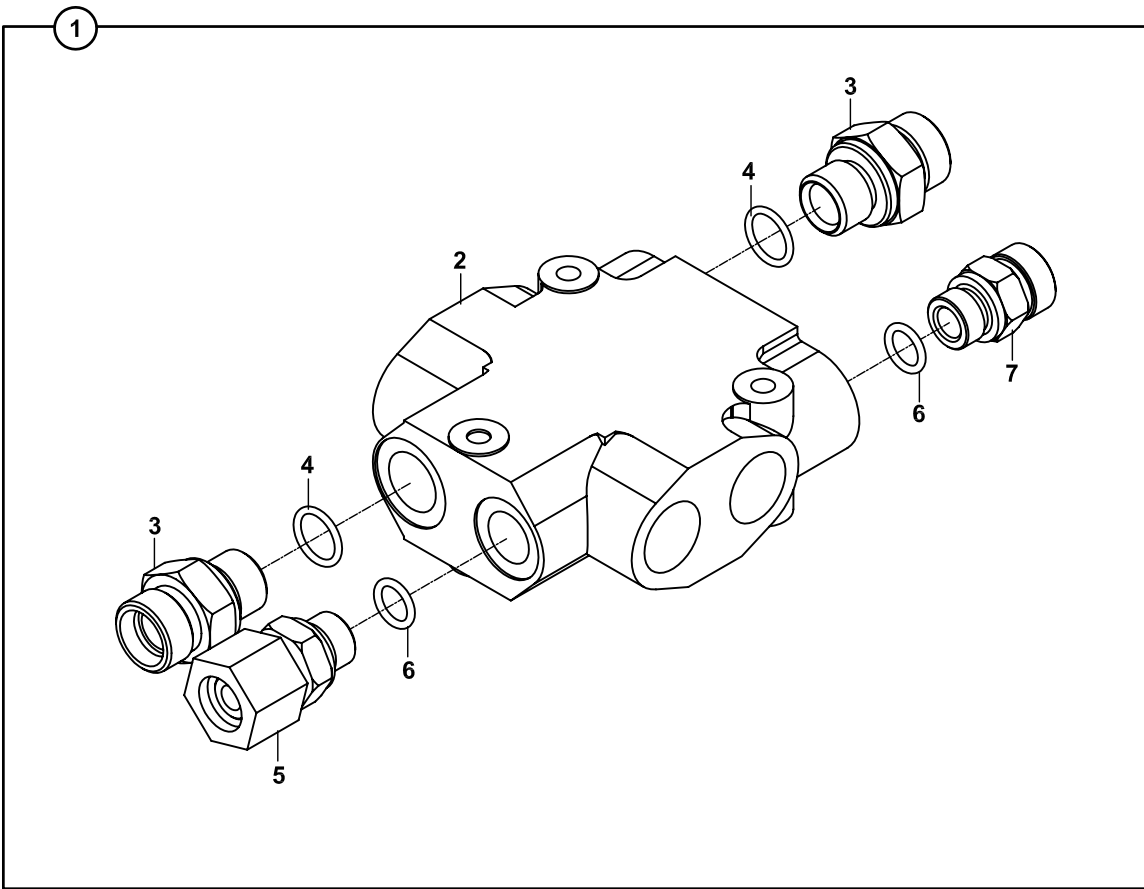
FREN PEDALİ VE VALFİ, ÇİFT FREN PEDALLI
VALVE, BRAKE PEDAL, WITH DOUBLE BRAKE PEDAL



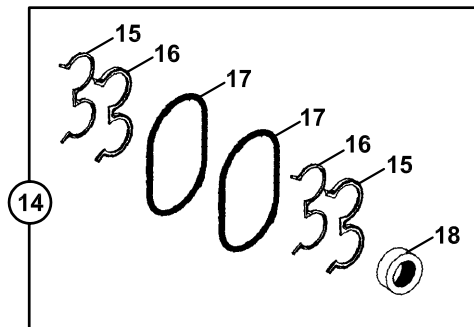
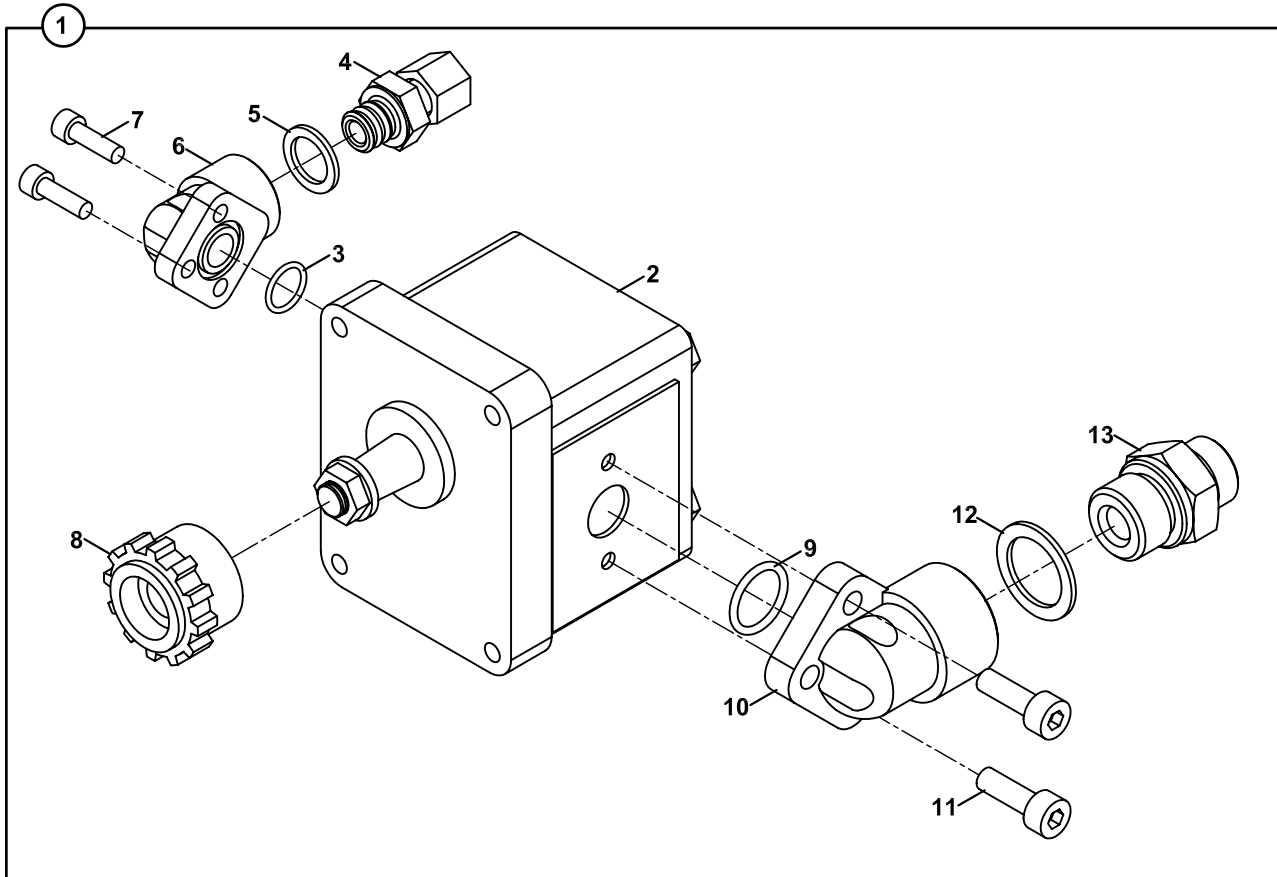
AKÜMÜLATÖR- VALF, SARSINTISIZ YOL YÜRÜYÜŞ SİSTEMİ
ACCUMULATOR- VALVE, SOFT DRIVE SYSTEM



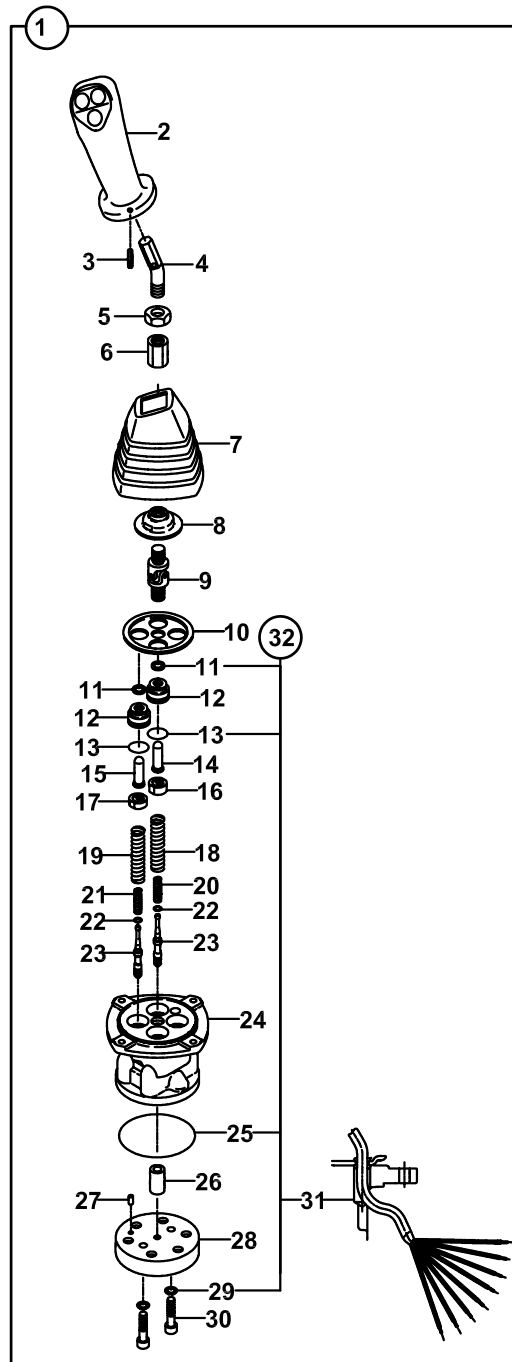
EMNİYET VALFİ, KALDIRICI SİLİNDİR
PROTECTION VALVE, MAIN BOOM RAM



HİDROMOTOR VE NİPELLERİ
HYDROMOTOR AND ADAPTERS



JOYSTICK, SAĞ, ARKA KUMANDA
REMOTE CONTROL VALVE, RIGHT, BACKHOE



**SİLİNDİR, KALDIRICI, SAĞ, YÜKLEYİCİ
RAM, LIFT, RIGHT, LOADER**

NO NO	PARÇA NO PART NO	TANIM	DESCRIPTION	ADET QTY	S.K. S.C.	SERİ NO SERIAL NO	D.T. ICA	NOT NOTE
1	* 011/00001 151/20452	SİLİNDİR, KALDIRICI, SAĞ, YÜKLEYİCİ	RAM, LIFT, RIGHT, LOADER	1	RK	110001 - 110187		
	151/20453	SİLİNDİR, KALDIRICI, SAĞ, YÜKLEYİCİ	RAM, LIFT, RIGHT, LOADER	1		110188 - 112194	Y	(1)
	151/20490	SİLİNDİR, KALDIRICI, SAĞ, YÜKLEYİCİ	RAM, LIFT, RIGHT, LOADER	1		112195 -	Y	(1)
2	802/01513	BURÇ	BUSHING	1				
3	209/21121	SİLİNDİR BORUSU	CYLINDER	1		110001 - 110187		
	209/21122	SİLİNDİR BORUSU	CYLINDER	1		110188 - 112194	Y	(1)
	209/21123	SİLİNDİR BORUSU	CYLINDER	1		112195 -		
4	N10/2004935	PİSTON O-RİNGİ	O-RING, PISTON	1	K1			
5	201/20600	PİSTON	PISTON	1				
6	N04/3120710	VİDALI PİM	SETSCREW	1			Y	
	N04/3120698	VİDALI PİM	SETSCREW	1				
7	N09/9001060	ÇELİK BİLYA	STEEL BALL	1				
8	N10/1849065	YATAKLAMA BANDI	GUIDE RING	2	K1			
9	N10/3709000	PİSTON KEÇESİ	SEAL, PISTON	1	K1			
10	S48/80955	PİSTON TAMİR TAKIMI	SEAL KIT, PISTON	1	(K1)			
11	208/42221	MİL	ROD	1				
12	802/01214	BURÇ	BUSHING	1				
13	N08/1210020	GRESÖRLÜK	GREASE NIPPLE	2				
14	203/07500	KAPAK	CAP	1		110001 - 112194		
	203/14090	KAPAK	CAP	1		112195 -		
15	N10/5505804	TOZ KEÇESİ	SCRAPER	1	K2	110001 - 112194		
	N10/5505805	TOZ KEÇESİ	SCRAPER	1	K2	112195 -		
16	N10/4506010	BOGAZ KEÇESİ	U-CAP	1	K2	110001 - 112194		
	N10/4506013	BOGAZ KEÇESİ	U-CAP	1	K2	112195 -		
17	N10/0505597	YATAKLAMA BANDI	GUIDE RING	2	K2			
18	202/07500	BOGAZ	CAP, END	1		110001 - 112194		
	202/14090	BOGAZ	CAP, END	1		112195 -		
19	N10/2008440	BOGAZ O-RİNGİ	O-RING, END CAP	1	K2			
20	S48/90900	BOGAZ TAMİR TAKIMI	SEAL KIT, END CAP	1	(K2)	110001 - 112194		
	S48/91230	BOGAZ TAMİR TAKIMI	SEAL KIT, END CAP	1		112195 -		
21	N10/2010130	BOGAZ O-RİNGİ	O-RING, END CAP	1	K2	112195 -		
	N10/2009931	BOGAZ O-RİNGİ	O-RING, END CAP	1	K2		Y	
22	N10/2008620	BOGAZ O-RİNGİ	O-RING, END CAP	1	K2	112195 -		
	N10/2008020	BOGAZ O-RİNGİ	O-RING, END CAP	1	K2		Y	
23	N10/7506506	TAMPON KEÇESİ	U-CAP	1	K2	112195 -		

NOT / NOTE: (1) SADECE SAĞ (E3-1-1) VE SOL (E3-1-2) YÜKLEYİCİ SİLİNDİRLERİN BERABER DEĞİŞTİRİLMESİ DURUMUNDA YENİSİ ESKİSİ YERİNE KULLANILABİLİR./ NEW PART CAN BE USED INSTEAD OF OLD ONE INCASE IF RIGHT (E3-1-1) AND LEFT (E3-1-2) LOADER RAMS ARE CHANGED TOGETHER

**SİLİNDİR, AYAK, SAĞ
RAM,STABILISER, RIGHT**

NO NO	PARÇA NO PART NO	TANIM	DESCRIPTION	ADET QTY	S.K. S.C.	SERİ NO SERIAL NO	D.T. ICA	NOT NOTE
1	*018/20245 150/20130 150/20135	SİLİNDİR, AYAK, SAĞ SİLİNDİR, AYAK, SAĞ	RAM, STABILISER, RIGHT RAM, STABILISER, RIGHT	1 1	RK	110001 - 112243 112244 -	Y	(1)
2	N05/0220200	SEGMAN	RETAINING RING	2				
3	207/00500	MAFSAL YATAK	RADIAL SPHERICAL PLAIN	1				
4	209/20508 209/20580	SİLİNDİR BORUSU SİLİNDİR BORUSU	CYLINDER CYLINDER	1 1		110001 - 112243 112244 -		
5	810/52125	KELEPÇE ÜST PARÇASI	COVER, CLAMP	1				
6	N01/5870350	CİVATA M6x30	BOLT M6x30	2				
7	N10/1657056	YATAKLAMA BANDI	GUIDE RING, PISTON	2	K1			
8	N10/3587000	PISTON KEÇESİ	SEAL, PISTON	1	K1			
9	201/20450	PISTON	PISTON	1				
10	N10/2004035	PISTON O-RİNGİ	O-RING, PISTON	1	K1			
11	N09/9001060	ÇELİK BİLYA	STEEL BALL	1				
12	N04/3120686	VİDALI PİM	SETSCREW	1				
13	208/17550	SİLİNDİR MILİ	ROD	1				
14	207/00400	MAFSAL YATAK	RADIAL SPHERICAL PLAIN	1				
15	203/05645 203/14075	KAPAK KAPAK	CAP CAP	1 1		110001 - 112243 112244 -		
16	N10/5505804 N10/5505805	BOGAZ TOZ KEÇESİ BOGAZ TOZ KEÇESİ	SCRAPER SCRAPER	1 1	K2 K2	110001 - 112243 112244 -		
17	N10/4506010 N10/4506013	BOGAZ KEÇESİ BOGAZ TOZ KEÇESİ	U-CAP SCRAPER	1 1	K2 K2	110001 - 112243 112244 -		
18	N10/0505597	YATAKLAMA BANDI	GUIDE RING, END CAP	2	K2			
19	202/03550 202/14075	BOGAZ BOGAZ	CAP, END CAP, END	1 1		110001 - 112243 112244 -		
20	N10/2006440	BOGAZ O-RİNGİ	O-RING, END CAP	1	K2			
21	N08/1210020	GRESÖRLÜK (5/16")	GREASE NIPPLE (5/16")	2	1			
22	S48/80710	PISTON TAMİR TAKIMI	SEAL KIT, PISTON	1	(K1)			
23	S48/90715 S48/91211	BOGAZ TAMİR TAKIMI BOGAZ TAMİR TAKIMI	SEAL KIT, END CAP SEAL KIT, END CAP	1 1	(K2) (K2)	110001 - 112243 112244 -		
24	N10/2008030	BOGAZ O-RİNGİ	O-RING, END CAP	1	K2	112244 -		
25	N10/2007002	BOGAZ O-RİNGİ	O-RING, END CAP	1	K2	112244 -		
26	N10/7506004	TAMPON KEÇESİ	U-CAP	1	K2	112244 -		

NOT/ NOTE: (1) 112234, 112235 NOLU MAKİNALARDA DA UYGULANMIŞTIR/ ALSO APPLIED TO 112234, 112235

SİLİNDİR, DÖNÜŞ (SAĞ - SOL)
RAM, SLEW SWING (RIGHT - LEFT)

NO NO	PARÇA NO PART NO	TANIM	DESCRIPTION	ADET QTY	S.K. S.C.	SERİ NO SERIAL NO	D.T. ICA	NOT NOTE
	* V011/01/							
1	155/25101	DÖNÜŞ SİLİNDİRİ	RAM, SLEW/ SWING	1				
2	802/01465	BURÇ	BUSH	1				
3	200/23010	SİLİNDİR MİLİ	ROD	1				
4	N08/1210020	GRESÖRLÜK	GREASE NIPPLE	1				
5	N10/5556506	TOZ KEÇESİ	SCRAPER	1	K1			
6	N10/4557006	BOĞAZ KEÇESİ	U- CAP	2	K1			
7	202/11075	BOĞAZ	CAP, END	1				
8	N10/2005953	O-RİNG	O-RING	2	K1			
9	N10/2009835	O-RİNG	O-RING	1	K1			
10	N10/2010630	O-RİNG	O-RING	1	K1			
11	N10/0556097	YATAKLAMA BANDI	GUIDE RING, PISTON	2	K1			
12	807/02000	YAY	SPRING	1				
13	801/07051	FREN MİLİ	PLUNGER, RESTRICTOR	1				
14	806/11015	YATAK RAKORU (MİL)	BOLT, PLUNGER	1				
15	814/03007	FREN TAPASI	PLUG	1				
16	N03/0000030	PUL	WASHER	1				
17	209/21400	SİLİNDİR BORUSU	CYLINDER	1				
18	806/24314	NİPEL	ADAPTER	1				
19	N03/0000004	PUL	WASHER	1				
20	N10/1101059	YATAKLAMA BANDI	GUIDE RING, PISTON	2	K2			
21	N10/3891056	PİSTON KEÇESİ	SEAL, PISTON	1	K2			
22	N10/2008853	O-RİNG	O-RING	1	K2			
23	201/80050	PİSTON	PISTON	1				
24	N09/9001000	ÇELİK BİLYA	STEEL BALL	1				
25	N04/3120638	VİDA, M6x16	SETSCREW, M6x16	1				
26	N10/2005535	O-RİNG	O-RING	1	K2			
27	S48/81020	PİSTON TAMİR TAKIMI	SEAL KIT, PISTON	1	(K2)			
28	S48/91020	BOĞAZ TAMİR TAKIMI	SEAL KIT, END CAP	1	(K1)			

**SİLİNDİR, DEVİRİCİ, KAZICI
RAM, DIPPER, BACKHOE**

NO NO	PARÇA NO PART NO	TANIM	DESCRIPTION	ADET QTY	S.K. S.C.	SERİ NO SERIAL NO	D.T. ICA	NOT NOTE
	*V011/01/							
1	155/20215	SİLİNDİR, DEVİRİCİ, KAZICI	RAM, DIPPER, BACKHOE	1		110001 -112159		
	155/20230	SİLİNDİR, DEVİRİCİ, KAZICI	RAM, DIPPER, BACKHOE	1		112160 -	Y	
2	802/01360	SERT BURÇ	BUSHING	1				
3	N08/1210020	GRESÖRLÜK 5/16"	GREASE NIPPLE (5/16")	2				
4	209/20170	SİLİNDİR BORUSU	CYLINDER	1		110001 -112159		
	209/20171	SİLİNDİR BORUSU	CYLINDER	1		112160 -		
5	N10/2005634	PİSTON O-RİNGİ	O-RING, PISTON	1	K2			
6	N04/3120710	VIDALI PİM	SETSCREW	1				
7	N09/9001060	CELİK BİLYA	STEEL BALL	1				
8	201/20755	PİSTON	PISTON	1				
9	N10/1949965	YATAKLAMA BANDI	GUIDE RING	2	K2			
10	N10/3861000	PİSTON KECESİ	SEAL, PISTON	1	K2			
11	S48/81007	PİSTON TAMİR TAKIMI	SEAL KIT, PISTON	1	(K2)			
12	802/01356	SERT BURÇ	BUSHING	1				
13	208/42665	SİLİNDİR MİLİ	ROD	1				
14	802/01510	FRENLEME BİLEZİĞİ	BRAKE RING	1				
15	807/02000	YAY	SPRING	1				
16	806/11020	YATAK RAKORU	BOLT, PLUNGER	1				
17	203/08500	KAPAK	COVER	1		110001 -112159		
	203/14100	KAPAK	COVER	1		112160 -		
18	N10/5606804	BOGAZ TOZ KECESİ	SCRAPER	1	K1	110001 -112159		
	N10/5607006	BOGAZ TOZ KECESİ	SCRAPER	1	K1	112160 -		
19	N10/4607012	BOGAZ KECESİ	U-CAP	1	K2	110001 - 110939		
	N10/4607013	BOGAZ KECESİ	U-CAP	1	K2	110940 - 112007	Y	
	N10/4607012	BOGAZ KECESİ	U-CAP	1	K2	112008 - 112159	Y	
	N10/4607015	BOGAZ KECESİ	U-CAP	1	K2	112160 -		
20	N10/0606515	YATAKLAMA BANDI	GUIDE RING, END CAP	2	K1			
21	N10/7607663	BOGAZ TAMPON KECESİ	SEAL	1	K1	110001 -112159		
	N10/4607506	BOGAZ TAMPON KECESİ	SEAL	1	K1	112160 -		
22	N10/2009435	BOGAZ O-RİNGİ	O-RING, END CAP	2	K1			
23	202/20755	BOGAZ	CAP, END	1		110001 -112159		
	202/21000	BOGAZ	CAP, END	1		112160 -		
24	801/07060	FREN MİLİ	PLUNGER, RESTRICTOR	1				
25	S48/91005	BOGAZ TAMİR TAKIMI	SEAL KIT, END CAP	1	(K1)	110001 -112159		
	S48/91240	BOGAZ TAMİR TAKIMI	SEAL KIT, END CAP	1	(K1)	112160 -		
26	N10/2011003	BOGAZ O-RİNGİ	O-RING, END CAP	1	K1	112160 -		
27	N10/2009020	BOGAZ O-RİNGİ	O-RING, END CAP	1	K1	112160 -		

**SİLİNDİR, TELESKOPIK KIVIRICI, KAZICI
RAM, BUCKET, TELESCOPIC DIPPER, BACKHOE**

NO NO	PARÇA NO PART NO	TANIM	DESCRIPTION	ADET QTY	S.K. S.C.	SERİ NO SERIAL NO	D.T. ICA	NOT NOTE
1	*V011/01/ 151/20270	SİLİNDİR, TELESKOPIK KIVIRICI, KAZICI	RAM, BUCKET, TELESCOPIC DIPPER,	1	RK			
2	802/01360	SERT BURÇ	BUSHING	1				
3	N08/1210020	GRESÖRLÜK	GREASE NIPPLE	2				
4	209/21206	SİLİNDİR BORUSU	CYLINDER	1				
5	N10/2004935	PİSTON O-RİNGİ	O-RING, PISTON	1	K1			
6	N09/9001060	ÇELİK BİLYA	STEEL BALL	1				
7	N04/3120710	VİDALI PİM	SETSCREW	1				
8	201/20600	PİSTON	PISTON	1				
9	N10/1849065	YATAKLAMA BANDI	GUIDE RING	2	K1			
10	N10/3709000	PİSTON KEÇESİ	SEAL, PISTON	1	K1			
11	S48/80955	PİSTON TAMİR TAKIMI	SEAL KIT, PISTON	1	(K1)			
12	802/01356	SERT BURÇ	BUSHING	1				
13	208/42610	SİLİNDİR MİLİ	ROD	1				
14	203/07500	KAPAK	CAP	1		110001 - 110288		
14	203/07502	KAPAK	CAP	1		110289 -	B, G1	
15	N10/5606804	BOGAZ TOZ KEÇESİ	U-CAP	1	K2	110001 - 110288		
15	N10/5607508	BOGAZ TOZ KEÇESİ	U-CAP	1	K2	110289 -	B, G1	
16	N10/4607012	BOGAZ KEÇESİ	U-CAP	1	K2	110001 - 110939		
16	N10/4607013	BOGAZ KEÇESİ	U-CAP	1	K2	110940 - 112007	Y	
16	N10/4607012	BOGAZ KEÇESİ	U-CAP	1	K2	112008 -	Y	
17	N10/0606515	YATAKLAMA BANDI BOGAZ	GUIDE RING, END CAP	2	K2			
18	202/07550	BOGAZ	CAP, END	1		110001 - 110288		
18	202/07552	BOGAZ	CAP, END	1		110289 -	B, G1	
19	N10/2008440	BOGAZ O-RİNGİ	O-RING, END CAP	1	K2			
20	S48/90960	BOGAZ TAMİR TAKIMI	SEAL KIT, END CAP	1	(K2)	110001 - 110288		
20	S48/90965	BOGAZ TAMİR TAKIMI	SEAL KIT, END CAP	1	(K2)	110289 -	B, G1	

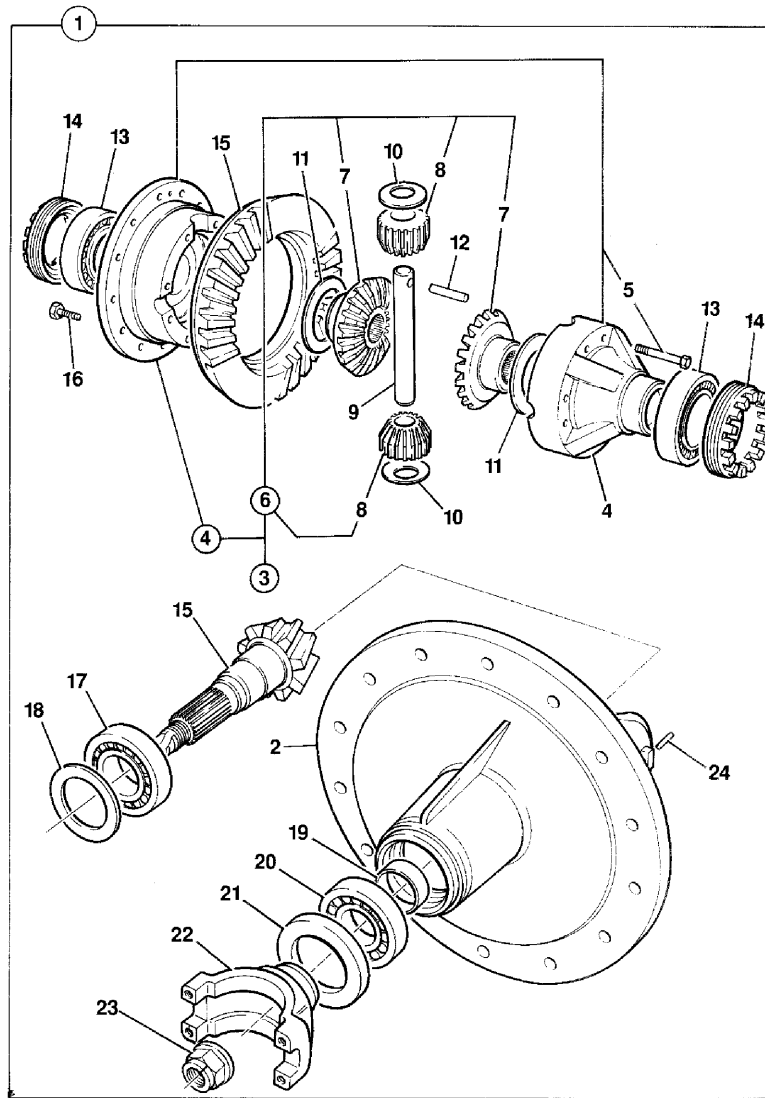
**SİLİNDİR, TESVİYE KÜREĞİ, SOL, 2 EKSEN AÇILI
RAM, LEVELLING BLADE, WITH 2 AXIS TURN**

NO NO	PARÇA NO PART NO	TANIM	DESCRIPTION	ADET QTY	S.K. S.C.	SERİ NO SERIAL NO	D.T. ICA	NOT NOTE
1	062/10600 150/20600	SİLİNDİR, TESVİYE KÜREĞİ, SOL	RAM, LEVELLING BLADE, LEFT	1				☞ A1-6-1-OP3
2	N05/0220200	SEGMAN	RETAINING RING	2				
3	207/00410	MAFSAL YATAGI	RADIAL SPHERICAL PLAIN BEARING	1				
4	209/21060	SİLİNDİR BORUSU	CYLINDER	1				
5	N06/1005100	GUPİLYA	COTTER PIN	1				
6	201/05600	PİSTON	PISTON	1				
7	N10/3668000	PİSTON KEÇESİ	SEAL, PISTON	1	K1			
8	N10/1748065	YATAKLAMA BANDI	GUIDE RING	2	K1			
9	N10/2003935	PİSTON O-RİNGİ	O-RING, PISTON	1	K1			
10	S48/80801	PİSTON TAMİR TAKIMI	SEAL KIT, PISTON	1	(K1)			
11	N08/1210020	GRESÖRLÜK	GREASE NIPPLE	2				
12	207/00400	MAFSAL YATAGI	RADIAL SPHERICAL PLAIN BEARING	1				
13	208/14200	MİL	ROD	1				
14	203/06000	KAPAK	CAP	1				
15	N10/5505804	TOZ KEÇESİ	SCRAPER	1	K2			
16	N10/4506010	BOGAZ KEÇESİ	U-CAP	1	K2			
17	N10/0505597	YATAKLAMA BANDI	GUIDE RING	2	K2			
18	202/10900	BOGAZ	CAP, END	1				
19	N10/2007340	BOGAZ O-RİNGİ	O-RING, END CAP	1	K2			
20	S48/90800	BOGAZ TAMİR TAKIMI	SEAL KIT, END CAP	1	(K2)			

**SİLİNDİR, BOM, KİLİT
RAM, BOOM LOCKING**

NO NO	PARÇA NO PART NO	TANIM	DESCRIPTION	ADET QTY	S.K. S.C.	SERİ NO SERIAL NO	D.T. ICA	NOT NOTE
	*V011/01/33				RK			
1	158/20420	SİLİNDİR, BOM, KİLİT	RAM, BOOM LOCKING	1				
2	209/20060	SİLİNDİR BORUSU	CYLINDER	1				
3	N02/3570266	SOMUN M12	NUT M12	1				
4	N03/0100023	PUL M12	WASHER M12	1				
5	802/01577	BURC	BUSHING	1				
6	810/40043	BURC	BUSHING	1				
7	N10/4203008	BOGAZ KEÇESİ	U-CAP	1	K1			
8	N10/5202604	TOZ KECESİ	SCRAPER	1	K1			
9	N10/2003003	BOGAZ O-RİNGİ	O-RING, END CAP	1	K1			
10	202/00611	BOGAZ	CAP, END	1				
11	200/42008	SİLİNDİR MİLİ	ROD	1				
12	N02/3570242	SOMUN M12	NUT M12	1				
13	F99/60057	KİLİTLİ PİM	PIN, CLEVIS	1				
14	F99/60052	MAFSAL ÇATALI	CLEVIS	1				
15	S48/90200	BOGAZ TAMİR TAKIMI	SEAL KIT, END CAP	1	(K1)			

DİFERANSİYEL MONTAJI, ÖN AKS, SD 55
DIFFERENTIAL, FRONT AXLE, SD55



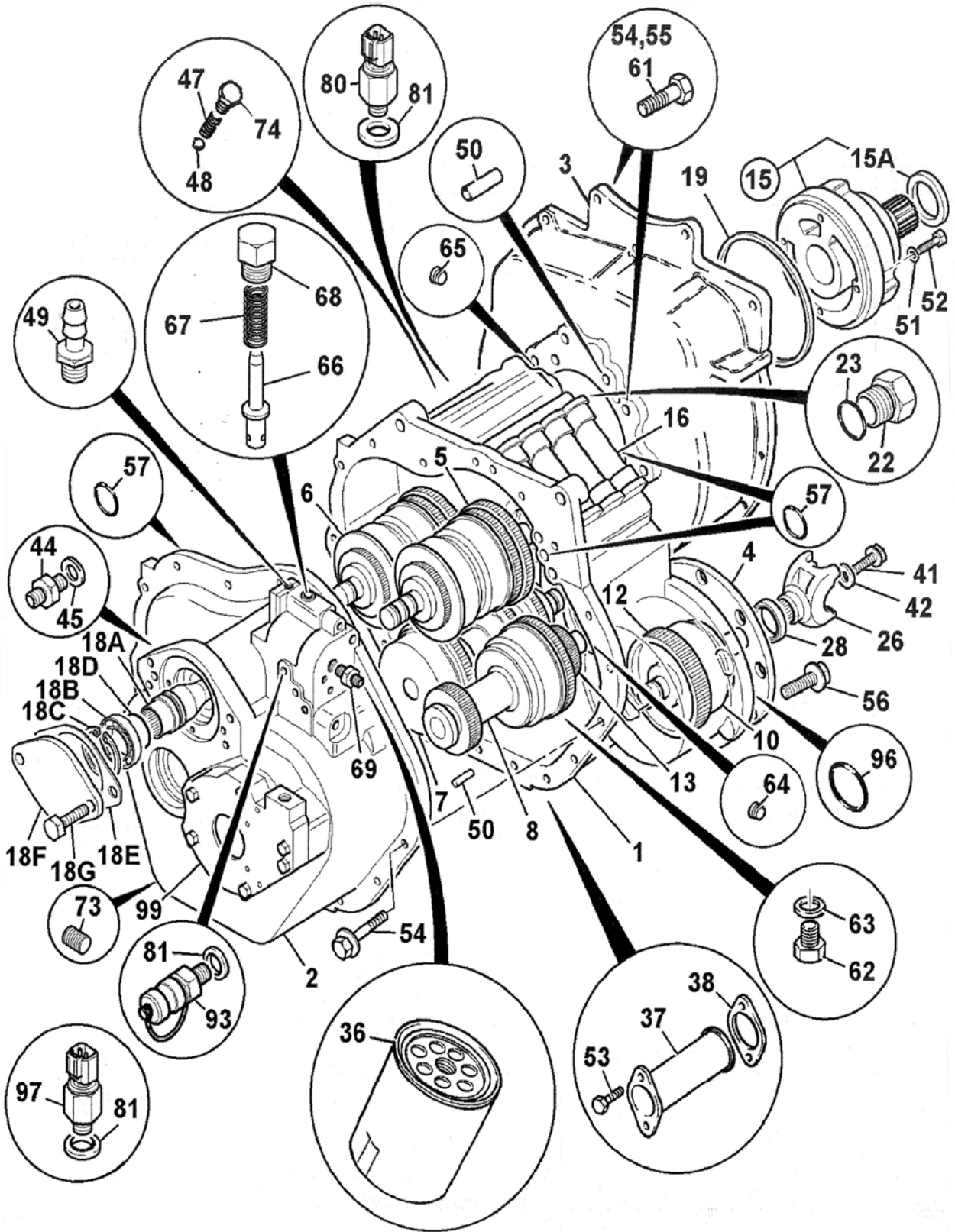
DİFERANSİYEL MONTAJI, ARKA AKS, PD 70
DIFFERENTIAL, ASSEMBLY, REAR AXLE, PD 70

NO NO	PARÇA NO PART NO	TANIM	DESCRIPTION	ADET QTY	S.K. S.C.	SERİ NO SERIAL NO	D.T. ICA	NOT NOTE
0A	F06/15631	DİFERANSİYEL KOMPLESİ	DIFFERENTIAL, ASSY.	1		110001 - (*)		A, M24
	F06/15635	DİFERANSİYEL KOMPLESİ	DIFFERENTIAL, ASSY.	1		(*)		B, M30
1	F06/15657	DİFERANSİYEL KOVANI	CASING, DRIVEHEAD	1		110001 - (*)		
	F06/15694	DİFERANSİYEL KOVANI	CASING, DRIVEHEAD	1		(*)		
2		RULMAN	BEARING	1				F2-3-1
3		ŞİM TAKIMI	KIT-SHIM	*	GK			F2-3-1
4	F06/19720	AYAR PULU, KATI	KIT-SPACER	1				
5	F06/18410	RULMAN	BEARING, TAPER ROLLER	1				
6	F06/18377	KEÇE	SEAL	1				
7	F06/15658	DİSK, EL FREİNİ	DISC, PARK BRAKE	1		110001 - (*)		A, M24
	F06/15659	DİSK, EL FREİNİ	DISC, PARK BRAKE	1		(*) -	X	B, M30
8	F06/18040	SOMUN, M24	NUT, M24	1		110001 - (*)		A, M24
	F06/18050	SOMUN, M30	NUT, M30	1		(*) -	X	B, M30
10		CİVATA	BOLT	12				F2-3-1
11		AYNA MAHRUTİ DİŞLİ, 13/33	GEAR, CROWN WHEEL AND PINION, 13T/33T	1				F2-3-1
12		RULMAN	BEARING	2				F2-3-1
13	F06/13890	SOMUN, DİFERAN. AYAR	NUT, SIDE DIFFERENTIAL	2				
14	F06/17880	PİM	PIN, TENSION	2				
15				1				F2-3-1
16		YATAK, FREN PİSTONU	HOUSING, BRAKE PISTON	2				F2-4-1
17	F06/11020	CİVATA	CAPSCREW	8				
21	F06/17891	PİM	DOWEL	4				
22	F06/17620	BOŞALTMA TAPASI	PLUG, MAGNETIC	1				
23	F06/11120	CONTALI PUL	SEAL, BONDED	2				
27	F06/17640	SEVİYE TAPASI	PLUG, FILLER	1				
28	F06/13821	BAĞLANTI SACI, PARK FREİNİ	BRACKET, CALIPER MOUNT, AXLE	1				
29	F06/17940	CİVATA	BOLT	8				

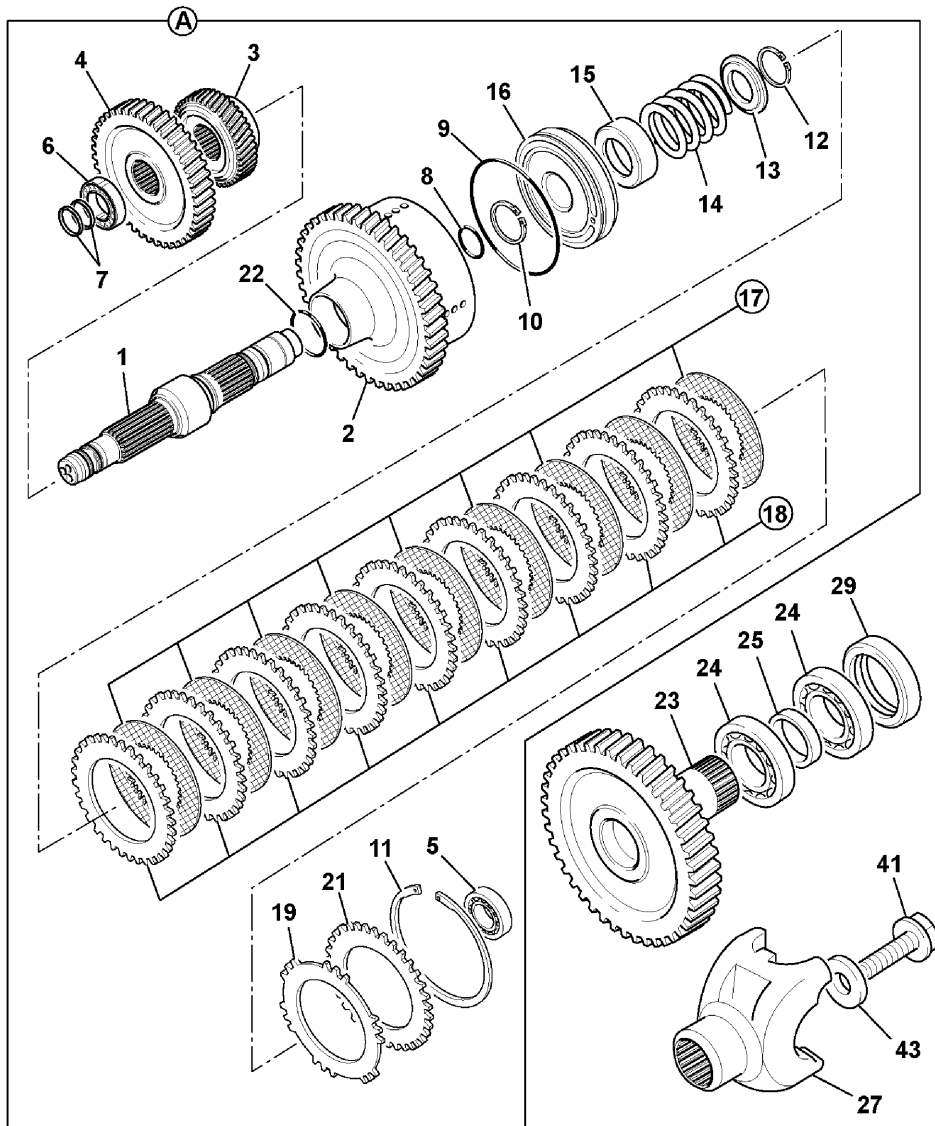
NOT / NOTE: (*) PARÇA NO SEÇİMİ İÇİN MAKİNA SERİ NO İLE BİRLİKTE YETKİLİ SERVİSE BAŞVURUNUZ./

FOR PART NO SELECTION GET IN TOUCH WITH AUTHORIZED SERVICES WITH MACHINE SERIAL NO

ŞANZUMAN DIŞ ELEMANLARI, PS760, 102B
TRANSMISSION, EXTERNAL COMPONENTS, PS760, 102B



KAVRAMA - ANA ŞAFT ve ELEMANLARI, ŞANZUMAN, PS760, 102B
 CLUTCH - MAINSHAFT &, COMPONENTS, TRANSMISSION, PS760, 102B



F

**TAHRİK ELEMANLARI
TRANSMISSION COMPONENTS**

F1

**ÖN AKS
FRONT AXLE**

F2

**ARKA AKS
REAR AXLE**

F3

**ŞANZUMAN
TRANSMISSION**

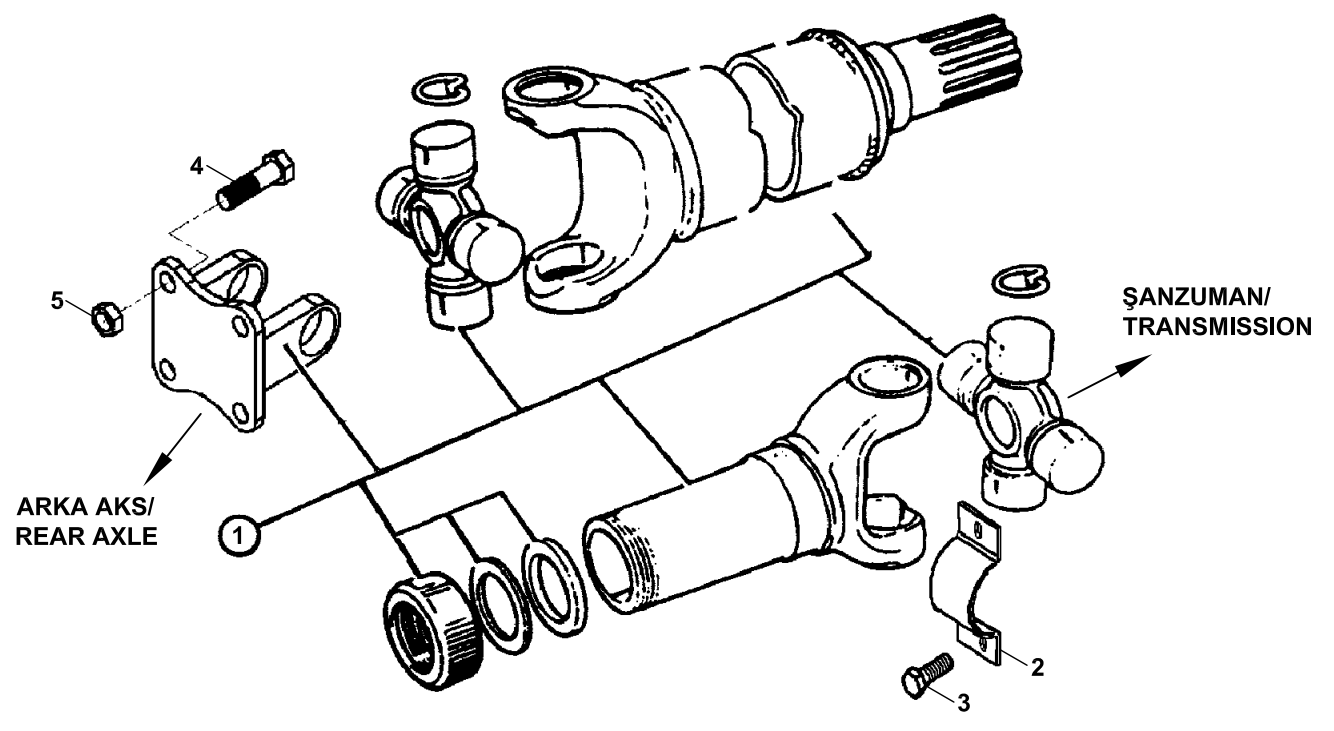
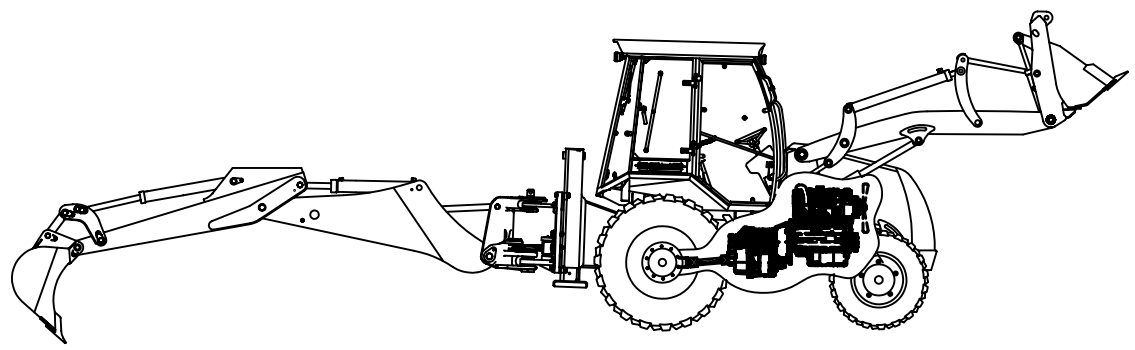
F4

**SANZUMAN ELEMANLARI
TRANSMISSION COMPONENTS**

F5

**TEKER VE ŞAFTLAR
WHEELS & SHAFTS**

ARKA ŞAFT
PROPSHAFT, TRANSMISSION TO REAR AXLE



PİSTON VE SEGMANLAR, MOTOR 1104C-44T, RG38101
PISTONS & RINGS, ENGINE 1104C-44T, RG38101

NO NO	PARÇA NO PART NO	TANIM	DESCRIPTION	ADET QTY	S.K. S.C.	SERİ NO SERIAL NO	D.T. ICA	NOT NOTE
1	F01/41125	PİSTON VE SEGMAN TAKIMI	PİSTON & RING KIT	4				
2		PİSTON	PİSTON & RING KIT	1	SOP			
3		PİSTON PİMİ	PİSTON PIN	1	SOP			
4	F01/27203	SEGMAN	CIRCLIP	2				
5	F01/41128	PİSTON SEGMAN TAKIMI	PİSTON RING KIT	1				

NOT / NOTE: (1) SİPARİŞLERDE MAKİNA SERİ NO İLE BİRLİKTE MOTOR SERİ NO DA MUTLAKA BİLDİRİLMELİDİR. /
WHILE ORDERING ENGINE SERIAL NO MUST BE INFORMED WITH MACHINE SERIAL NO.

EKSANTRİK (KAM) MİLİ, MOTOR 1104C-44T, RG38101
TIMING GEAR & CAM SHAFT, ENGINE 1104C-44T, RG38101

NO NO	PARÇA NO PART NO	TANIM	DESCRIPTION	ADET QTY	S.K. S.C.	SERİ NO SERIAL NO	D.T. ICA	NOT NOTE
1	F01/31409	EKSANTRİK (KAM) MİLİ	CAM SHAFT	1				
2	F01/31420	İTİCİ	TAPPET	8				
3	F01/31430	ÇUBUK, İTME, KAM	PUSH ROD	8				
4	F01/05010	KAMA	WOODRUFF KEY	1				

NOT / NOTE: (1) SİPARİŞLERDE MAKİNA SERİ NO İLE BİRLİKTE MOTOR SERİ NO DA MUTLAKA BİLDİRİLMELİDİR. /
WHILE ORDERING ENGINE SERIAL NO MUST BE INFORMED WITH MACHINE SERIAL NO.

YAKIT BESLEME KONTROL BORUSU, MOTOR 1104C-44T, RG38101
BOOST CONTROL PIPE, ENGINE 1104C-44T, RG38101

NO NO	PARÇA NO PART NO	TANIM	DESCRIPTION	ADET QTY	S.K. S.C.	SERİ NO SERIAL NO	D.T. ICA	NOT NOTE
1	F01/41215	BORU, YAKIT-HAVA ORANI KONTROL	BOOST CONTROL PIPE	1				
2		BORU, YAKIT-HAVA ORANI KONTROL	BOOST CONTROL PIPE	1	SOP			
3	F01/33502	SOMUN	UNION NUT	1				
4	F01/33801	SIZDIRMAZLIK ELEMANI	OLIVE	1				
5	F01/02001	NİPEL	UNION	1				
6	F01/05711	SOMUN	NUT	1				
7	F01/05610	SIZDIRMAZLIK ELEMANI	OLIVE	1				
9	F01/33470	KELEPÇE	CLIP	1				

NOT / NOTE: (1) SİPARİŞLERDE MAKİNA SERİ NO İLE BİRLİKTE MOTOR SERİ NO DA MUTLAKA BİLDİRİLMELİDİR. /
WHILE ORDERING ENGINE SERIAL NO MUST BE INFORMED WITH MACHINE SERIAL NO.

FAN KASNAĞI BAĞLANTISI, MOTOR 1104C-44T, RG38101
FAN DRIVE, ENGINE 1104C-44T, RG38101

NO NO	PARÇA NO PART NO	TANIM	DESCRIPTION	ADET QTY	S.K. S.C.	SERİ NO SERIAL NO	D.T. ICA	NOT NOTE
1	F01/41175	FAN SÜRÜCÜ YATAĞI, KMP	FAN DRIVE HOUSING	1				
2		FAN SÜRÜCÜ YATAĞI	FAN DRIVE HOUSING	1	SOP			
3		KASNAK GÖBEĞİ	HUB	1	SOP			
4		BOŞLUK PULU	SPACER	1	SOP			
5	F01/27207	SEGMAN	CIRCLIP	1				
6		RULMAN	BALL BEARING	2	SOP			
7	F01/23133	CİVATA	SCREW	4				

NOT / NOTE: (1) SİPARİŞLERDE MAKİNA SERİ NO İLE BİRLİKTE MOTOR SERİ NO DA MUTLAKA BİLDİRİLMELİDİR. /
WHILE ORDERING ENGINE SERIAL NO MUST BE INFORMED WITH MACHINE SERIAL NO.

KÜLBÜTÖR KAPAĞI, MOTOR 1104C-44T, RG38101
CYLINDER HEAD COVER, ENGINE 1104C-44T, RG38101

NO NO	PARÇA NO PART NO	TANIM	DESCRIPTION	ADET QTY	S.K. S.C.	SERİ NO SERIAL NO	D.T. ICA	NOT NOTE
1	F01/37813	KAPAK	COVER	1				
2	F01/23137	CIVATA	SCREW	3				

NOT / NOTE: (1) SİPARİŞLERDE MAKİNA SERİ NO İLE BİRLİKTE MOTOR SERİ NO DA MUTLAKA BİLDİRİLMELİDİR. /
WHILE ORDERING ENGINE SERIAL NO MUST BE INFORMED WITH MACHINE SERIAL NO.

KÖR KAPAK, MOTOR 1104C-44T, RG38101
BLANKING PLATES, ENGINE 1104C-44T, RG38101

NO NO	PARÇA NO PART NO	TANIM	DESCRIPTION	ADET QTY	S.K. S.C.	SERİ NO SERIAL NO	D.T. ICA	NOT NOTE
1	F01/36210	KAPAK, KÖR	BLANKING PLATE	1				
2	F01/10084	CONTA	JOINT	1				
3	F01/23102	CİVATA	SCREW	4				

NOT / NOTE: (1) SİPARİŞLERDE MAKİNA SERİ NO İLE BİRLİKTE MOTOR SERİ NO DA MUTLAKA BİLDİRİLMELİDİR. /
WHILE ORDERING ENGINE SERIAL NO MUST BE INFORMED WITH MACHINE SERIAL NO.

BORU, MOTOR 1104C-44T, RG38101
PIPES, ENGINE 1104C-44T, RG38101

NO NO	PARÇA NO PART NO	TANIM	DESCRIPTION	ADET QTY	S.K. S.C.	SERİ NO SERIAL NO	D.T. ICA	NOT NOTE
1	F01/41346	BAĞLANTI BORUSU, KOMP	CONNECTION ASSY.	1				
2		BAĞLANTI BORUSU	CONNECTION	1	SOP			
3	F01/24110	O RING	O-RING	1				
4	F01/24109	O RING	O-RING	1				
5	F01/23101	CİVATA	SCREW	2				

NOT / NOTE: (1) SİPARİŞLERDE MAKİNA SERİ NO İLE BİRLİKTE MOTOR SERİ NO DA MUTLAKA BİLDİRİLMELİDİR. /
WHILE ORDERING ENGINE SERIAL NO MUST BE INFORMED WITH MACHINE SERIAL NO.

KASNAK, ALTERNATÖR, MOTOR 1104C-44T, RG38101
PULLEYS, ENGINE 1104C-44T, RG38101

NO NO	PARÇA NO PART NO	TANIM	DESCRIPTION	ADET QTY	S.K. S.C.	SERİ NO SERIAL NO	D.T. ICA	NOT NOTE
1	F01/31150	KASNAK, 2 KANALLI, ALTERNATÖR	2 GROOVE ALTERNATOR PULLEY	1				

NOT / NOTE: (1) SİPARİŞLERDE MAKİNA SERİ NO İLE BİRLİKTE MOTOR SERİ NO DA MUTLAKA BİLDİRİLMELİDİR. /
WHILE ORDERING ENGINE SERIAL NO MUST BE INFORMED WITH MACHINE SERIAL NO.

ADAPTÖR, MOTOR 1104C-44T, RG38101
DRIVE ADAPTOR, ENGINE 1104C-44T, RG38101

NO NO	PARÇA NO PART NO	TANIM	DESCRIPTION	ADET QTY	S.K. S.C.	SERİ NO SERIAL NO	D.T. ICA	NOT NOTE
1	F01/41180	ADAPTÖR, KOMP	ADAPTOR ASSY	1				
2		ADAPTÖR	ADAPTOR	1	SOP			
3	F01/31165	DİŞLİ	GEAR	1				
4	F01/25205	RULMAN	BALL BEARING	1				
5	F01/25210	RULMAN	BALL BEARING	1				
6	F01/27205	SEGMAN	CIRCLIP	1				
7	F01/24141	O-RING	O-RING	1				
8	F01/23124	CİVATA	SCREW	1				
9	F01/23122	CİVATA	SCREW	5				

NOT / NOTE: (1) SİPARİŞLERDE MAKİNA SERİ NO İLE BİRLİKTE MOTOR SERİ NO DA MUTLAKA BİLDİRİLMELİDİR. /
WHILE ORDERING ENGINE SERIAL NO MUST BE INFORMED WITH MACHINE SERIAL NO.

SIZINTI BORUSU, MOTOR 1104C-44T, RG38101
LEAK-OFF PIPES, ENGINE 1104C-44T, RG38101

NO NO	PARÇA NO PART NO	TANIM	DESCRIPTION	ADET QTY	S.K. S.C.	SERİ NO SERIAL NO	D.T. ICA	NOT NOTE
1	F01/35810	SIZINTI BORUSU, TURBOŞARJ	TURBO DRAIN PIPE	1				
2	F01/36854	CONTA	JOINT	1				
3	F01/36855	CONTA	JOINT	1				
4	F01/23126	CİVATA	SCREW	2				
5	F01/23101	CİVATA	SCREW	2				

NOT / NOTE: (1) SİPARİŞLERDE MAKİNA SERİ NO İLE BİRLİKTE MOTOR SERİ NO DA MUTLAKA BİLDİRİLMELİDİR. /
WHILE ORDERING ENGINE SERIAL NO MUST BE INFORMED WITH MACHINE SERIAL NO.

YAKIT TRANSFER POMPASI, MOTOR 1104C-44T, RG38101
LIFT PUMP, ENGINE 1104C-44T, RG38101

NO NO	PARA NO PART NO	TANIM	DESCRIPTION	ADET QTY	S.K. S.C.	SERİ NO SERIAL NO	D.T. ICA	NOT NOTE
1	F01/41320	YAKIT TRANSFER POMPASI, KOMP	LIFT PUMP ASSY	1				
2		YAKIT TRANSFER POMPASI	LIFT PUMP	1	SOP			
3	F01/38220	BOŐLUK PARASI	SPACER	3				
4	F01/33132	BAĐLANTI PARASI	MOUNTING	3				
5	F28/91502	FİLTRE İ ELEMEN TAKIMI	FUEL FILTER ELEMENT KIT	1				
6	F01/23128	CİVATA	SCREW	3				
7	F01/21312	PUL	EASHER	3				
8	F01/37620	BAĐLANTI	CONNECTION	1				
9	F01/81575	TAMİR TAKIMI	MOUNTING KIT	1				

NOT / NOTE: (1) SİPARİŐLERDE MAKİNA SERİ NO İLE BİRLİKTE MOTOR SERİ NO DA MUTLAKA BİLDİRİLMELİDİR. /
WHILE ORDERING ENGINE SERIAL NO MUST BE INFORMED WITH MACHINE SERIAL NO.

YAĞ BASINÇ MÜŞÜRÜ, MOTOR 1104C-44T, RG38101
LUBRICATION OIL PRESSURE SWITCH/GAUGE, ENGINE 1104C-44T, RG38101

NO NO	PARÇA NO PART NO	TANIM	DESCRIPTION	ADET QTY	S.K. S.C.	SERİ NO SERIAL NO	D.T. ICA	NOT NOTE
1	515/23003	MÜŞÜR, YAĞ BASINÇ	OIL PRESSURE SWITCH	1				

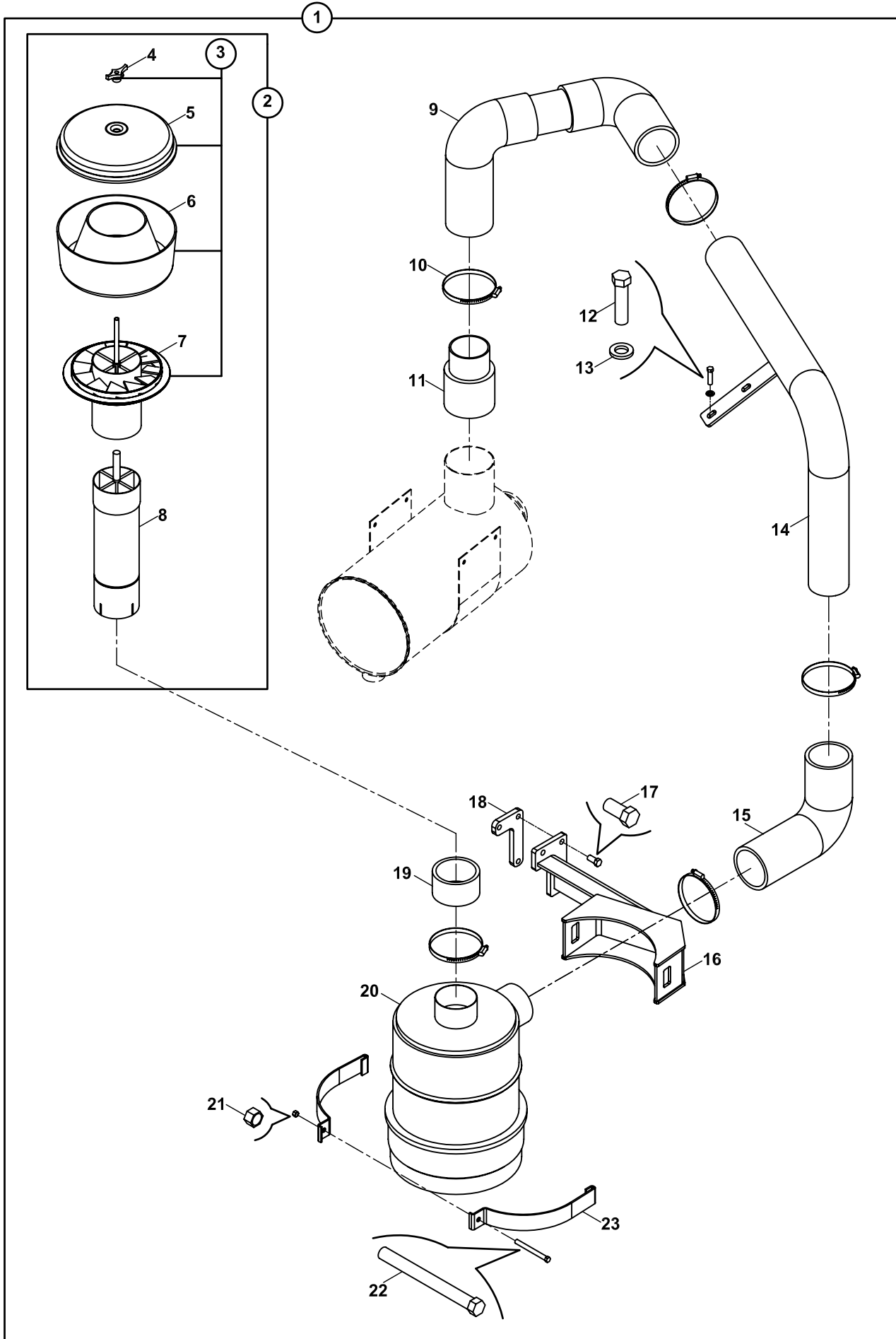
NOT / NOTE: (1) SİPARİŞLERDE MAKİNA SERİ NO İLE BİRLİKTE MOTOR SERİ NO DA MUTLAKA BİLDİRİLMELİDİR. /
WHILE ORDERING ENGINE SERIAL NO MUST BE INFORMED WITH MACHINE SERIAL NO.

ÜST CONTA TAMİR TAKIMI, MOTOR 1104C-44T, RG38101
TOP SERVICE KIT, ENGINE 1104C-44T, RG38101

NO NO	PARÇA NO PART NO	TANIM	DESCRIPTION	ADET QTY	S.K. S.C.	SERİ NO SERIAL NO	D.T. ICA	NOT NOTE
1	F01/10485	TAMİR TAKIMI, ÜST CONTA	TOP JOINT & GASKET KIT	1				

NOT / NOTE: (1) SİPARİŞLERDE MAKİNA SERİ NO İLE BİRLİKTE MOTOR SERİ NO DA MUTLAKA BİLDİRİLMELİDİR. /
WHILE ORDERING ENGINE SERIAL NO MUST BE INFORMED WITH MACHINE SERIAL NO.

YAĞLI FİLTRE
AIR FILTER AND PRE- CLEANER, WITH OIL



RADYATÖR, YAĞ SOĞUTUCU VE BAĞLANTILARI
RADIATOR - OIL COOLER AND FITTINGS

NO NO	PARÇA NO PART NO	TANIM	DESCRIPTION	ADET QTY	S.K. S.C.	SERİ NO SERIAL NO	D.T. ICA	NOT NOTE
1	* 011/00001 * V011/02 018/90414	SU RADYATÖRÜ VE DAVLUMBAZ, KOMP.	RADIATOR AND FAN COWLING, ASSY	1	SOP			
2	F25/11212	SU SOĞUTUCU RADYATÖR	RADIATOR, WATER COOLER	1				
3	020/40037	DAVLUMBAZ	COWLING, FAN	1		110001 - 110742		
	020/40039	DAVLUMBAZ	COWLING, FAN	1		110743 - 110902	X	(1), (2)
	020/40037	DAVLUMBAZ	COWLING, FAN	1		110903 - 110969		
	020/40039	DAVLUMBAZ	COWLING, FAN	1		110970 -		
4	816/00615	FİTİL	STRIP	1				
5	N01/0222078	CİVATA M8x15	BOLT M8x15	6				
6	N03/0020111	PUL M8	WASHER M8	6				
7	020/01645	BAGLANTI SACI	BRACKET, MOUNTING	2				
8	810/40006	GROMET	GROMMET	4				
9	020/21088	YÜZÜK	RING	4				
10	N03/0020018	PUL, M10	WASHER, M10	4				
11	N01/0222462	CİVATA M10x25	BOLT M10x25	4				
12	F25/12040	YAĞ SOĞUTUCU, KOMP.	OIL COOLER, ASSY	1				
13	F25/12041	SANZUMAN YAĞ SOĞUTUCU	OIL COOLER, TRANSMISSION	1				
14	F25/12042	HİDROLİK YAĞ SOĞUTUCU	OIL COOLER, HYDRAULIC	1				
15	N04/4320362	CİVATA M6x15	BOLT M6x15	4				
16	N01/0222114	CİVATA M8x20	BOLT M8x20	4				
17	N01/0222438	CİVATA M10x20	BOLT M10x20	4				
18	N03/0020111	PUL M8	WASHER M8	6				
19	810/40158	RADYATÖR ALT HAVA PERDESİ	RADIATOR, BOTTOM AIR KEEPER	1				
20	N01/0222078	CİVATA M8x15	BOLT M8x15	4				

NOT / NOTE: (1) F99/30015 NOLU FAN ANCAK 020/40029 (POZ NO:37), N01/0380494 (POZ NO:38) VE 020/40039 NOLU DAVLUMBAZ (SAYFA:H1-1-1) İLE BİRLİKTE ESKİ FAN YERİNE KULLANILABİLİR / FAN WITH NO F99/30015 ONLY CAN BE USED INSTEAD OF THE OLD ONE WITH 020/40029 (ITEM:37), N01/0380494 (ITEM:38) AND 020/40039 (FAN COWLING) (PAGE H1-1-1)
(2) 110694,709,711,725-727,730-731 SERİ NOLAR DA DAHİL / ALSO COVERS 110694,709,711,725-727,730-731

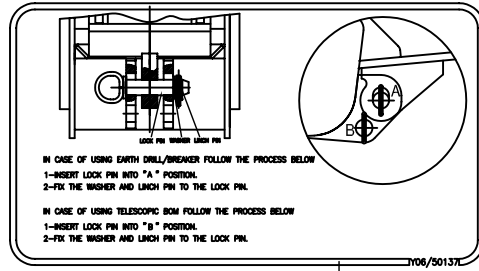
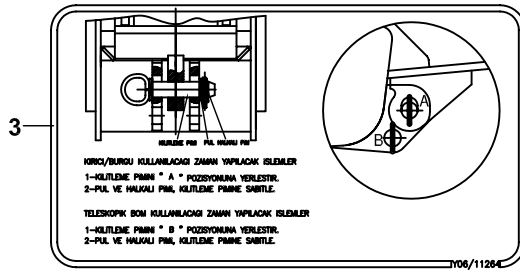
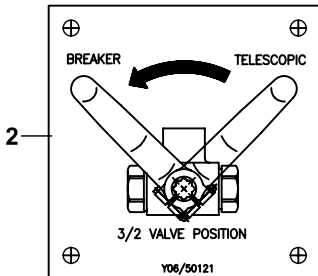
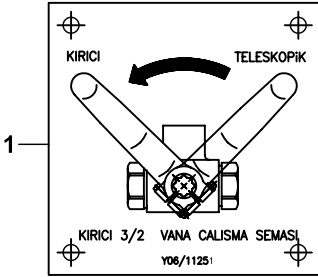
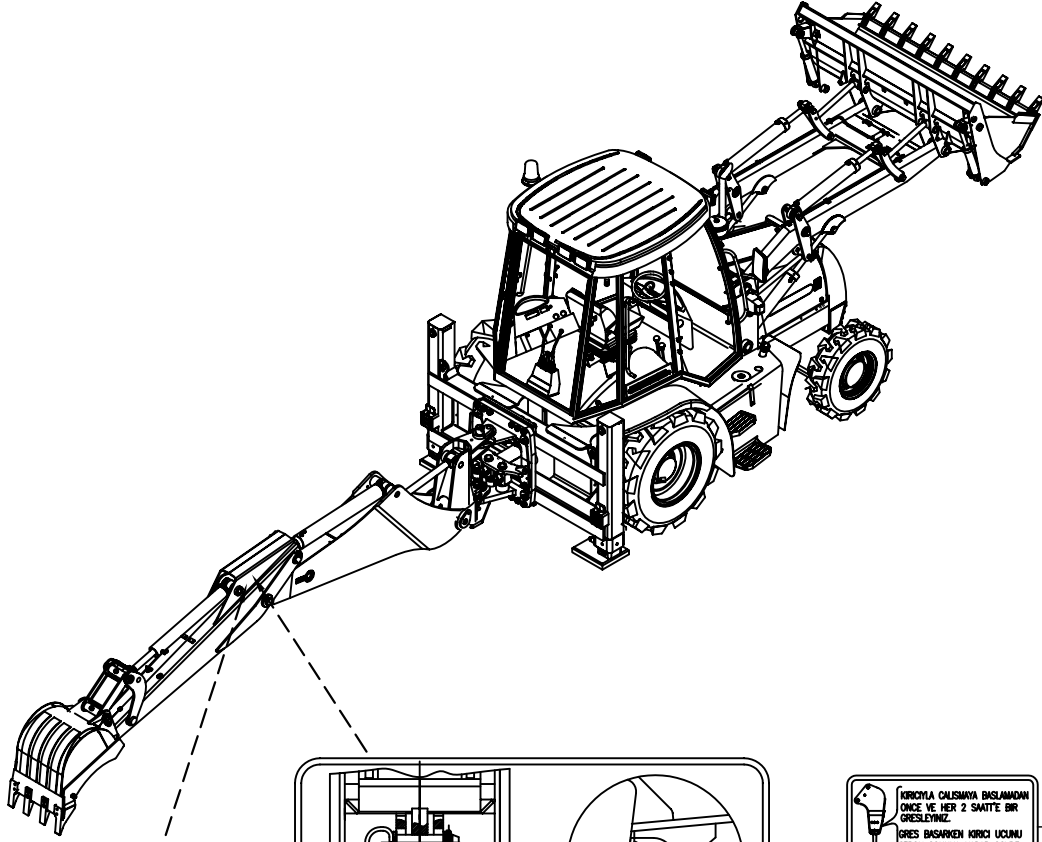
SOGUTMA SİSTEMİ, HİDROLİK VE ŞANZUMAN YAĞI
COOLING SYSTEM, HYDRAULIC AND TRANSMISSION OIL

NO NO	PARÇA NO PART NO	TANIM	DESCRIPTION	ADET QTY	S.K. S.C.	SERİ NO SERIAL NO	D.T. ICA	NOT NOTE
	018/42222				RK			
	018/42122				RK			
1	452/50554	TESİSAT BORUSU	PIPE	1				
2	632/5521065	HORTUM	HOSE	1		110046 -		
3	806/24038	NİPEL	ADAPTER	1				
4	664/2224200	HORTUM	HOSE	1		110046 -		
5	N16/3770073	RAKOR- T	TEE	1		110046 -		
6	632/5521230	HORTUM	HOSE	1				
7	632/5525320	HORTUM	HOSE	1				
8	701/5919140	HORTUM	HOSE	1		110001 - 110117		
	653/335B140	HORTUM	HOSE	1		110118 - 110742	X	
	701/335B140	HORTUM	HOSE	1		110743 -	Y	
9	701/5919250	HORTUM	HOSE	1		110001 - 110117		
	653/3351255	HORTUM	HOSE	1		110118 - 110742	X	
	701/3351255	HORTUM	HOSE	1		110743 -	Y	
10	510/12200	KABLO BAGI	CLIP	13				
11	806/08011	NİPEL	ADAPTER	1		110001 - 110117		
	806/24026	NİPEL	ADAPTER	1		110118 -	X	
12	N03/0000015	PUL	WASHER	2				
13	N07/4016025	KELEPÇE (Ø16-25)	CLIP (Ø16-25)	4		110001 - 110117		
14	N16/3430940	NİPEL	ADAPTER	1		110001 - 110117		
	806/24026	NİPEL	ADAPTER	1		110118 -	X	
15	452/51580	TESİSAT BORUSU	PIPE	1		110001 - 110117		
	452/51581	TESİSAT BORUSU	PIPE	1		110118 -	X	
16	814/03016	TAPA	PLUG	1				
17	N03/0000005	PUL	WASHER	1				
18	806/24036	NİPEL	ADAPTER	2				
19	N03/0000030	PUL	WASHER	2				
20	452/50711	TESİSAT BORUSU	PIPE	1				
21	N10/2002525	O-RİNG	O-RING	1		110046 -		
22	N03/0000025	PUL	WASHER	1				
23	814/03012	TAPA	PLUG	1				

KLİMA, KABİN DONANIMI, SOĞUTMA SİSTEMİ
AIR CONDITIONER, CAB, COOLING SYSTEM

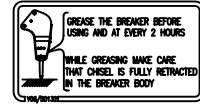
NO NO	PARÇA NO PART NO	TANIM	DESCRIPTION	ADET QTY	S.K. S.C.	SERİ NO SERIAL NO	D.T. ICA	NOT NOTE
	* CAB011/03/03/002							
	* V011/03/13							
1	018/29534	TAVAN DÖŞEMESİ, ARKA	TRIMMING, INTERIOR REAR, ASSY	1	RK RK SOP	110088 -	Y, G1	
2	F32/19041	İÇ TAVAN, ARKA	TRIMMING, INTERIOR REAR	1		110088 -		
5	018/29533	TAVAN DÖŞEMESİ, ÖN	TRIMMING, INTERIOR FRONT, ASSY	1	SOP	110088 -	Y, G1	
6	F32/19031	İÇ TAVAN, ÖN	TRIMMING, INTERIOR FRONT	1		110088 -		
7	F28/10106	FİLTRE	FILTER	1		110088 -		
8	020/02091	FİLTRE KAPAK SACI	COVER, FILTER	1		110088 -		
9	N04/1150361	VİDA 3,9x19	SCREW	6		110088 -		
10	F25/20512	MENFEZ	VENT, AIR	2		110088 -		
11	799/00120	DRAIN HORTUMU	HOSE	2				
12	N01/0222138	CİVATA M8x25	BOLT M8x25	4				
13	N03/0100017	PUL M8	WASHER M8	4				
14	N03/1170017	YAYLI PUL M8	WASHER M8	4				
15	N02/0000200	SIKMA SOMUNU	NUT	4				
16	018/29370	KLİMA ÜNİTESİ	AIR CONDITIONER	1	SOP			
17		FAN KABLOSU	CABLE, FAN	1				
18	020/11798	KLİMA KAPAK SACI	COVER PLATE, AIR CONDITIONER	1		110088 -	Y, G1	☞ C1-8-1
19	F25/20620	EVAPARATÖR	EVAPARATOR	1				
20	N01/5870026	CİVATA M4x10	BOLT M4x10	2				
	N04/1150338	VİDA	SCREW	2			Y	
21	N02/0000180	SOMUN M4	NUT M4	2		110001 - (*)		
	N03/0020001	PUL M4	WASHER M4	2		(*)		
22	F25/20110	FAN	FAN	2				
23	019/29363	KLİMA GÖVDE SACI	MOUNTING PLATE	1		110088 -	Y, G1	
24	N10/2500508	O-RİNG	O-RING	1				
25	806/99988	VALF RAKORU	ADAPTER	1				
26	N10/2500708	O-RİNG	O-RING	1				
27	N04/1150361	VİDA	SCREW	22		110001 -		
	N04/1150338	VİDA	SCREW	16		- 110746	Y	
	N04/1150338	VİDA	SCREW	18		110747 -		
28	F25/20411	TERMOSTAT	THERMOSTAT	1				
29	816/02406	İZOLASYON KEÇESİ	SEAL, INSULATION	1				
30	816/02402	İZOLASYON KEÇESİ	SEAL, INSULATION	4				
31	816/02401	İZOLASYON KEÇESİ	SEAL, INSULATION	2				
32	816/02403	İZOLASYON KEÇESİ	SEAL, INSULATION	1				
33	816/02404	İZOLASYON KEÇESİ	SEAL, INSULATION	1				
34	816/02405	İZOLASYON KEÇESİ	SEAL, INSULATION	1				
35	816/02407	İZOLASYON KEÇESİ	SEAL, INSULATION	1				
36	816/02408	İZOLASYON KEÇESİ	SEAL, INSULATION	1				
37	018/29468	KLİMA ANAHTARI - LAMBA GRUBU	AC. SWITCH AND LIGHT GROUP	1	SOP			
38	020/40181	KONSOL, KLİMALI, SAĞ	DUCT, RIGHT, WITH AC	1				
39	520/35000	ANAHTAR TABLASI	SWITCH HOUSING	1				
40A	520/30550	DÜĞME, KLİMA	BUTTON, AC	1		110001 - 112982		
	520/31030	DÜĞME, KLİMA	BUTTON, AC	1		112983 -	B	
40B	520/20000	ANAHTAR, KLİMA	SWITCH, AC	1				
41A	554/01000	SVİÇ, KLİMA FAN	SWITCH, AC FAN	1				
41B	520/30800	DÜĞME, KLİMA FAN	BUTTON, AC FAN	1				
42	N04/1210350	SAC VIDASI	SCREW	6				
43	N02/0000180	SIKMA SOMUNU	NUT	4		110088 -		
44	810/40059	DURDURUCU	STOPPER	2		110088 -		
45	N04/1520758	VİDA M4x15	SCREW M4x15	4		110088 -		
46	F25/20512	MENFEZ	VENT, AIR	2		110088 -		
47	020/02208	TERMOSTAT KAPAK SACI	COVER	1		110747 -		
48	N04/1150349	VİDA	SCREW	5				

ETİKET VE LEVHALAR, KIRICI DECAL AND PLATES, BREAKER



HIDROMEK	
HIDROMEK HİDROLİK KIRICI	
TİP :	HKR 360
SERİ NO :	
KIRICI TOPLAM AĞIRLIĞI :	434 KG
ÇALIŞMA DEBİSİ :	40-65 Lt/Dak
MAX. ÇALIŞMA BASINCI :	100-145 BAR
MAX. DÖNÜŞ BASINCI :	15 BAR
EMNİYET VALF DEĞERİ (MIN-MAX) :	120-170 BAR
HAVA DOLDURMA BASINCI :	3,5 - 4,5 BAR
ALT AKÜMÜLATOR BASINCI :	1,5 BAR
ÜST AKÜMÜLATOR BASINCI :	60 BAR
MAKİNA AĞIRLIĞI :	TON

HIDROMEK	
HIDROMEK HYDRAULIC BREAKER	
TYPE :	HKR 360
SERIAL NUMBER :	
TOTAL BREAKER WEIGHT :	434 KG
OPERATING FLOW RATE :	40-65 L/Min
MAX. OPERATING PRESSURE :	100-145 BAR
MAX. RETURN PRESSURE :	15 BAR
PRESSURE RELIEF VALVE (MIN-MAX) :	120-170 BAR
AIR PRESSURE :	3,5 - 4,5 BAR
HIGH PRESSURE ACCUMULATOR :	1,5 BAR
LOW PRESSURE ACCUMULATOR :	60 BAR
MACHINE WEIGHT :	TON



HKR 140—8

HKR 360—7

PARÇA NUMARASINA GÖRE İÇİNDEKİLER

PART NO İNDEKSİ



PARÇA NO PART NO	SAYFA NO PAGE NO	NO NO
201/20600	E3-9-2-OP1/03	8
201/20600	E3-9-2-OP2/05	8
201/20755	E3-7-1/03	8
201/20755	E3-7-1-OP/03	8
201/20760	E3-5-1-2/04	6
201/20800	E3-6-1/01	8
201/20800	E3-6-1-OP/01	8
201/20840	E3-6-1/03	22
201/20840	E3-6-1-OP/03	22
201/80050	E3-5-1-OP2	7
201/80050	E3-5-1-2/05	23
202/00611	E3-14-1-OP1	10
202/00700	E3-10-1	14
202/00700	E3-1-4-OP	12
202/03450	E3-3-1/01	19
202/03450	E3-9-1/02	18
202/03450	E3-12-1	18
202/03450	E3-12-2	18
202/03550	E3-4-1/01	19
202/03550	E3-4-2/01	19
202/07000	E3-2-1/01	18
202/07000	E3-2-2/01	18
202/07000	E3-11-1-OP/01	8
202/07500	E3-1-1/02	18
202/07500	E3-1-2/02	18
202/07550	E3-8-1-OP1/03	19
202/07550	E3-8-1-OP2/05	19
202/07550	E3-9-2-OP1/03	18
202/07550	E3-9-2-OP2/05	18
202/07552	E3-8-1-OP1/03	19
202/07552	E3-8-1-OP2/05	19
202/07552	E3-9-2-OP1/03	18
202/07552	E3-9-2-OP2/05	18
202/10900	E3-11-2-OP	18
202/10900	E3-11-3-OP	18
202/10900	E3-13-1	17
202/11050	E3-5-1-2/04	17
202/11051	E3-5-1-2/04	17
202/11075	E3-5-1-OP2	13
202/11075	E3-5-1-2/05	7
202/11500	E3-6-1/01	21
202/11500	E3-6-1-OP/01	21
202/11540	E3-6-1/03	10
202/11540	E3-6-1-OP/03	10
202/14070	E3-3-1/01	19
202/14070	E3-9-1/02	18
202/14075	E3-4-1/01	19
202/14075	E3-4-2/01	19
202/14080	E3-2-1/01	18
202/14080	E3-2-2/01	18
202/14080	E3-11-1-OP/01	8
202/14090	E3-1-1/02	18
202/14090	E3-1-2/02	18
202/14095	E3-8-1-OP2/05	19
202/14095	E3-9-2-OP2/05	18
202/20755	E3-7-1/03	23
202/20755	E3-7-1-OP/03	23
202/21000	E3-7-1/03	23
202/21000	E3-7-1-OP/03	23
203/05600	E3-3-1/01	15
203/05600	E3-9-1/02	14
203/05600	E3-12-1	14
203/05600	E3-12-2	14
203/05645	E3-4-1/01	15
203/05645	E3-4-2/01	15
203/06000	E3-2-1/01	14

PARÇA NO PART NO	SAYFA NO PAGE NO	NO NO
203/06000	E3-2-2/01	14
203/06000	E3-11-1-OP/01	4
203/06000	E3-11-2-OP	14
203/06000	E3-11-3-OP	14
203/06000	E3-13-1	13
203/07500	E3-1-1/02	14
203/07500	E3-1-2/02	14
203/07500	E3-8-1-OP1/03	14
203/07500	E3-8-1-OP2/05	14
203/07500	E3-9-2-OP1/03	14
203/07500	E3-9-2-OP2/05	14
203/07502	E3-8-1-OP1/03	14
203/07502	E3-8-1-OP2/05	14
203/07502	E3-9-2-OP1/03	14
203/07502	E3-9-2-OP2/05	14
203/08500	E3-7-1/03	17
203/08500	E3-7-1-OP/03	17
203/09500	E3-6-1/01	16
203/09500	E3-6-1/03	4
203/09500	E3-6-1-OP/01	16
203/09500	E3-6-1-OP/03	4
203/14070	E3-3-1/01	15
203/14070	E3-9-1/02	14
203/14075	E3-4-1/01	15
203/14075	E3-4-2/01	15
203/14080	E3-2-1/01	14
203/14080	E3-2-2/01	14
203/14090	E3-1-1/02	14
203/14090	E3-1-2/02	14
203/14095	E3-8-1-OP2/05	14
203/14095	E3-9-2-OP2/05	14
203/14100	E3-7-1/03	17
203/14100	E3-7-1-OP/03	17
203/14115	E3-6-1/03	4
203/14115	E3-6-1-OP/03	4
205/06000	B4-3-2-OP2	9
207/00200	E3-11-4-OP	3
207/00400	E3-3-1/01	12
207/00400	E3-4-1/01	14
207/00400	E3-4-2/01	14
207/00400	E3-11-2-OP	12
207/00400	E3-11-3-OP	12
207/00400	E3-12-1	21
207/00400	E3-12-2	3
207/00410	E3-3-1/01	3
207/00410	E3-11-2-OP	3
207/00410	E3-11-3-OP	3
207/00410	E3-12-1	11
207/00500	E3-4-1/01	3
207/00500	E3-4-2/01	3
208/10900	E3-13-1	8
208/14200	E3-11-2-OP	13
208/14200	E3-11-3-OP	13
208/17550	E3-4-1/01	13
208/17550	E3-4-2/01	13
208/42020	E3-11-4-OP	11
208/42030	E3-12-1	13
208/42050	E3-9-1/02	13
208/42051	E3-9-1/02	24
208/42100	E3-3-1/01	14
208/42115	E3-12-2	13
208/42221	E3-1-1/02	11
208/42221	E3-1-2/02	11
208/42235	E3-5-1-2/04	12
208/42236	E3-5-1-2/04	12
208/42237	E3-5-1-2/04	12

PARÇA NO PART NO	SAYFA NO PAGE NO	NO NO
208/42240	E3-11-1-OP/01	3
208/42318	E3-2-1/01	12
208/42318	E3-2-2/01	12
208/42610	E3-8-1-OP1/03	13
208/42610	E3-9-2-OP1/03	13
208/42664	E3-8-1-OP2/05	13
208/42664	E3-9-2-OP2/05	13
208/42665	E3-7-1/03	13
208/42665	E3-7-1-OP/03	13
208/42810	E3-6-1/01	13
208/42810	E3-6-1-OP/01	13
208/42830	E3-6-1/03	3
208/42830	E3-6-1-OP/03	3
209/20045	E3-10-1	8
209/20050	E3-11-4-OP	5
209/20060	E3-14-1-OP1	2
209/20072	E3-5-1-2/04	4
209/20170	E3-7-1/03	4
209/20171	E3-7-1/03	4
209/20175	E3-7-1-OP/03	4
209/20360	E3-6-1/01	4
209/20360	E3-6-1/03	15
209/20362	E3-6-1-OP/01	4
209/20362	E3-6-1-OP/03	15
209/20372	E3-6-1/03	15
209/20508	E3-4-1/01	4
209/20518	E3-4-2/01	4
209/20521	E3-3-1/01	2
209/20528	E3-3-1/01	2
209/20556	E3-9-1/02	2
209/20558	E3-9-1/02	2
209/20560	E3-12-1	3
209/20575	E3-12-2	2
209/20580	E3-4-1/01	0
209/20585	E3-4-2/01	4
209/20910	E3-13-1	2
209/21016	E3-2-2/01	3
209/21017	E3-2-2/01	3
209/21026	E3-2-1/01	3
209/21027	E3-2-1/01	3
209/21060	E3-11-3-OP	4
209/21070	E3-11-2-OP	4
209/21121	E3-1-1/02	3
209/21122	E3-1-1/02	3
209/21123	E3-1-1/02	3
209/21131	E3-1-2/02	3
209/21132	E3-1-2/02	3
209/21133	E3-1-2/02	3
209/21160	E3-11-1-OP/01	19
209/21205	E3-8-1-OP1/03	4
209/21206	E3-9-2-OP1/03	4
209/21209	E3-8-1-OP2/05	4
209/21211	E3-9-2-OP2/05	4
209/21212	E3-9-2-OP2/05	4
209/21223	E3-8-1-OP2/05	4
209/21400	E3-5-1-2/05	17
209/21406	E3-5-1-OP2	6
400/10037	K1-1-1	1
400/50017	K1-1-1	2
451/50641	B4-3-3-2	28
451/50641	B4-3-3-2/01	28
451/50642	B4-3-3-2	25
451/50642	B4-3-3-2/01	25
451/50643	B4-3-3-2	10
451/50643	B4-3-3-2/01	10
451/51515	E3-10-1	7

PARÇA NUMARASINA GÖRE İÇİNDEKİLER

PART NO İNDEKS



PARÇA NO PART NO	SAYFA NO PAGE NO	NO NO
F01/10084	G1-9-2	6
F01/10084	G1-9-3	2
F01/10084	G1-29-1	9
F01/10085	G1-9-2	4
F01/10085	G1-29-1	8
F01/10105	G1-8-1	7
F01/10112	G1-17-1	2
F01/10118	G1-2-5	1
F01/10120	G1-2-6	10
F01/10120	G1-2-6	15
F01/10249	G1-11-1	2
F01/10271	G1-8-1	11
F01/10291	G1-8-4	9
F01/10307	G1-20-4	3
F01/10326	G1-9-2	3
F01/10395	G1-22-2	1
F01/10447	G1-29-1	1
F01/10482	G1-19-1	1
F01/10485	G1-28-1	1
F01/11086	G1-12-1	1
F01/13401	G1-3-1	7
F01/17865	G1-25-2	1
F01/17985	G1-3-1	9
F01/17985	G1-7-3	3
F01/17985	G1-9-1	7
F01/17985	G1-13-1	5
F01/17996	G1-7-1	12
F01/17996	G1-7-1	13
F01/18023	G1-5-1	2
F01/18027	G1-5-1	3
F01/18027	G1-15-2	10
F01/18029	G1-20-1	4
F01/18029	G1-20-6	5
F01/18602	G1-3-1	4
F01/21110	G1-17-2	10
F01/21150	G1-2-1	20
F01/21310	G1-15-2	4
F01/21311	G1-20-2	4
F01/21311	G1-20-2	5
F01/21311	G1-20-2	7
F01/21311	G1-20-2	8
F01/21312	G1-22-1	7
F01/21315	G1-2-7	17
F01/21501	G1-8-1	9
F01/21601	G1-8-1	4
F01/21601	G1-8-4	4
F01/23070	G1-1-1	1
F01/23101	G1-3-1	11
F01/23101	G1-12-3	5
F01/23101	G1-17-1	5
F01/23101	G1-20-3	5
F01/23102	G1-2-1	21
F01/23102	G1-9-3	3
F01/23102	G1-20-4	5
F01/23102	G1-21-1	2
F01/23103	G1-20-6	6
F01/23104	G1-20-6	4
F01/23109	G1-14-1	2
F01/23111	G1-12-1	16
F01/23112	G1-8-3	8
F01/23112	G1-12-1	17
F01/23113	G1-12-1	18
F01/23113	G1-17-3	5
F01/23114	G1-15-2	2
F01/23115	G1-15-2	3
F01/23116	G1-15-2	7

PARÇA NO PART NO	SAYFA NO PAGE NO	NO NO
F01/23117	G1-15-2	8
F01/23118	G1-17-1	6
F01/23119	G1-17-2	6
F01/23120	G1-17-2	12
F01/23121	G1-17-3	4
F01/23122	G1-18-1	9
F01/23123	G1-3-1	13
F01/23123	G1-17-3	6
F01/23123	G1-24-1	2
F01/23123	G1-24-1	4
F01/23124	G1-18-1	8
F01/23125	G1-19-1	2
F01/23126	G1-20-3	4
F01/23127	G1-2-1	19
F01/23128	G1-22-1	6
F01/23129	G1-22-3	6
F01/23130	G1-2-7	18
F01/23130	G1-15-2	5
F01/23131	G1-2-7	19
F01/23132	G1-3-3	6
F01/23133	G1-6-1	7
F01/23134	G1-7-1	4
F01/23135	G1-7-1	11
F01/23136	G1-7-1	9
F01/23136	G1-7-1	10
F01/23137	G1-8-2	2
F01/23138	G1-8-3	7
F01/23139	G1-9-1	6
F01/23140	G1-14-1	3
F01/23142	G1-3-1	6
F01/23143	G1-3-1	12
F01/23143	G1-7-1	6
F01/23150	G1-20-1	3
F01/23150	G1-20-6	7
F01/23160	G1-9-1	8
F01/23161	G1-9-2	7
F01/24104	G1-8-4	5
F01/24108	G1-8-3	3
F01/24109	G1-12-3	4
F01/24110	G1-12-3	3
F01/24111	G1-9-2	11
F01/24138	G1-13-1	4
F01/24141	G1-18-1	7
F01/24142	G1-2-6	20
F01/24142	G1-26-1	2
F01/24143	G1-7-1	8
F01/24143	G1-29-1	2
F01/24144	G1-8-1	13
F01/24145	G1-8-3	6
F01/24146	G1-9-2	9
F01/24160	G1-3-1	8
F01/24301	G1-2-6	21
F01/24301	G1-27-1	2
F01/24301	G1-27-1	3
F01/24802	G1-9-1	2
F01/24850	G1-12-1	14
F01/24860	G1-22-2	9
F01/24870	G1-20-4	2
F01/24870	G1-20-4	4
F01/24875	G1-22-3	3
F01/24877	G1-8-4	8
F01/24880	G1-2-1	17
F01/24881	G1-2-7	4
F01/24885	G1-3-7	1
F01/25205	G1-18-1	4
F01/25210	G1-18-1	5

PARÇA NO PART NO	SAYFA NO PAGE NO	NO NO
F01/26408	G1-3-1	1
F01/26409	G1-3-3	1
F01/26421	G1-3-3	3
F01/26430	G1-22-3	1
F01/26480	G1-3-1	3
F01/26480	G1-29-1	7
F01/26485	G1-3-2	5
F01/26490	G1-3-6	1
F01/26495	G1-3-6	2
F01/26698	G1-20-1	1
F01/27203	G1-2-3	4
F01/27205	G1-18-1	6
F01/27207	G1-2-7	16
F01/27207	G1-6-1	5
F01/28690	G1-5-1	1
F01/28745	G1-15-1	1
F01/31087	G1-2-4	3
F01/31110	G1-2-2	5
F01/31120	G1-2-2	6
F01/31130	G1-2-2	5
F01/31140	G1-2-2	6
F01/31144	G1-6-2	1
F01/31145	G1-16-1	1
F01/31150	G1-15-3	1
F01/31155	G1-3-1	5
F01/31160	G1-17-2	11
F01/31165	G1-18-1	3
F01/31171	G1-2-2	7
F01/31175	G1-17-2	1
F01/31181	G1-17-2	7
F01/31182	G1-2-1	9
F01/31195	G1-11-1	1
F01/31409	G1-2-8	1
F01/31413	G1-2-6	14
F01/31414	G1-2-6	9
F01/31420	G1-2-8	2
F01/31430	G1-2-8	3
F01/31440	G1-2-6	13
F01/31440	G1-2-6	18
F01/31610	G1-23-1	2
F01/31774	G1-2-7	10
F01/31775	G1-2-6	11
F01/31775	G1-2-6	16
F01/31776	G1-8-1	5
F01/31777	G1-8-4	7
F01/31795	G1-2-4	4
F01/32101	G1-2-1	8
F01/32102	G1-4-1	4
F01/32105	G1-20-5	3
F01/32108	G1-2-6	23
F01/32109	G1-2-6	24
F01/32110	G1-2-7	9
F01/32110	G1-2-7	15
F01/32115	G1-20-2	3
F01/32115	G1-20-2	6
F01/32118	G1-2-1	14
F01/32120	G1-18-2	1
F01/32121	G1-2-1	18
F01/32125	G1-2-1	16
F01/32126	G1-7-1	7
F01/32130	G1-2-5	2
F01/32140	G1-7-1	5
F01/32411	G1-17-2	5
F01/32427	G1-2-6	7
F01/32429	G1-2-1	11
F01/32430	G1-2-1	10

PARÇA NUMARASINA GÖRE İÇİNDEKİLER
PART NO İNDEKS



PARÇA NO	SAYFA NO	NO
PART NO	PAGE NO	NO
N03/0020011	B1-3-1/01	8
N03/0020011	B2-1-2/02	11
N03/0020011	B2-1-2/02	51
N03/0020011	B2-1-3/02	11
N03/0020011	B2-1-3/02	51
N03/0020011	B2-1-5	22
N03/0020011	B2-8-1/01	12
N03/0020011	B2-8-1/03	3
N03/0020011	B4-5-3-OP3/01	31
N03/0020011	D1-4-1/03	29
N03/0020011	D2-3-1-OP3	6
N03/0020011	E1-4-5-OP/02	1
N03/0020011	E1-5-1-OP1	5
N03/0020011	E1-5-1-OP2/02	7
N03/0020011	E1-5-1-OP3	4
N03/0020011	E1-5-1-OP4	5
N03/0020011	E1-7-1	7
N03/0020011	G2-1-1/06	3
N03/0020011	G2-2-1	14
N03/0020011	G2-4-1/01	17
N03/0020011	H1-4-1/01	17
N03/0020011	H1-5-1/02	22
N03/0020011	H1-5-1/02	22
N03/0020018	B1-2-1	6
N03/0020018	B1-2-1	23
N03/0020018	B1-2-1/09	6
N03/0020018	B2-8-1/01	4
N03/0020018	B2-8-1/03	5
N03/0020018	B4-5-3-OP1/01	10
N03/0020018	B4-5-3-OP3/01	11
N03/0020018	C1-7-1/01	9
N03/0020018	C1-7-1/02	9
N03/0020018	D2-3-1-OP1/01	13
N03/0020018	D2-3-1-OP2	17
N03/0020018	E1-5-1-OP1	7
N03/0020018	E1-5-1-OP2/02	5
N03/0020018	E1-5-1-OP3	2
N03/0020018	E1-5-1-OP4	7
N03/0020018	G2-2-1	18
N03/0020018	G2-3-1/02	5
N03/0020018	G2-4-1/01	14
N03/0020018	G2-5-1	7
N03/0020018	H1-1-1/03	10
N03/0020029	B1-2-1	27
N03/0020029	B1-2-1/09	27
N03/0020029	B1-7-1/01	17
N03/0020035	B4-3-2-OP2	10
N03/0020111	B1-2-1	3
N03/0020111	B1-2-1/09	3
N03/0020111	B1-9-1-OP1/01	22
N03/0020111	B1-9-1-OP1/01	31
N03/0020111	B1-9-1-OP2	21
N03/0020111	B1-9-1-OP2	32
N03/0020111	D1-5-1	4
N03/0020111	G2-1-1/06	22
N03/0020111	G2-4-1/01	6
N03/0020111	G2-5-1	11
N03/0020111	H1-1-1/03	6
N03/0020111	H1-1-1/03	18
N03/0020111	H1-1-1/04	18
N03/0020111	H1-1-1/04	22
N03/0020111	H1-2-1	11
N03/0020121	B4-5-3-OP1/01	10
N03/0020121	B4-5-3-OP2/02	10
N03/0020121	D1-1-1-OP1	7
N03/0020121	D1-1-1-OP2	19

PARÇA NO	SAYFA NO	NO
PART NO	PAGE NO	NO
N03/0020121	G2-2-1	34
N03/0020121	G2-4-1/01	8
N03/0020121	G2-5-1	6
N03/0100010	C1-1-1	28
N03/0100011	B2-1-4/02	4
N03/0100011	E2-22-1-OP	10
N03/0100013	B1-2-1	14
N03/0100013	B1-9-1-OP1/01	3
N03/0100013	B1-9-1-OP2	3
N03/0100013	B2-1-2/02	51
N03/0100013	B2-1-3/02	51
N03/0100013	B2-3-1-OP2	17
N03/0100013	B2-7-1/03	12
N03/0100013	B2-10-1/03	9
N03/0100013	C1-1-2-OP1/01	6
N03/0100013	C1-1-2-OP2/04	6
N03/0100013	D1-6-1-2/02	19
N03/0100013	D1-6-1-2/03	19
N03/0100013	E1-5-1-OP2/02	24
N03/0100013	E1-8-1/01	25
N03/0100013	G2-1-1/06	5
N03/0100016	B3-3-1/01	11
N03/0100017	A1-5-1	13
N03/0100017	B1-2-1/09	14
N03/0100017	B1-2-1/09	14
N03/0100017	B1-2-1/09	14
N03/0100017	B1-2-1/09	14
N03/0100017	B1-2-1/09	14
N03/0100017	B1-2-1/09	14
N03/0100017	B1-2-1/09	14
N03/0100017	B1-2-1/09	14
N03/0100017	C1-2-1-OP1/01	5
N03/0100017	C1-2-1-OP2/01	5
N03/0100017	C1-2-1-OP2/02	5
N03/0100017	C1-2-1-OP3	5
N03/0100017	C1-7-1/01	20
N03/0100017	C1-7-1/02	20
N03/0100017	E1-8-1/01	28
N03/0100017	H1-2-1/02	10
N03/0100017	H1-6-1	13
N03/0100017	H1-6-1/04	13
N03/0100018	C1-7-1/01	17
N03/0100018	C1-7-1/02	17
N03/0100020	B1-2-2/03	12
N03/0100020	B1-2-3/03	10
N03/0100020	B1-3-1/01	3
N03/0100020	H1-1-1/04	10
N03/0100023	A1-6-1-OP3	45
N03/0100023	A2-3-1-OP1	36
N03/0100023	A2-3-1-OP2	35
N03/0100023	B1-8-1/02	6
N03/0100023	B2-10-1/03	17
N03/0100023	B4-1-1-OP2	22
N03/0100023	D1-1-1-OP1	3
N03/0100023	E1-8-1/01	37
N03/0100023	E3-14-1-OP1	4
N03/0100023	G2-1-2	1K
N03/0100027	B4-1-1-OP2	17
N03/0100027	B4-3-1-OP2	6
N03/0100027	D2-3-1-OP3	13
N03/0100042	A2-2-1-1-OP2	7
N03/0103001	D2-2-1	5
N03/0108001	D1-6-1-2	19
N03/0108017	B2-1-2/02	17
N03/0108017	B2-1-2/02	23
N03/0108017	B2-1-2/02	30
N03/0108017	B2-1-3/02	17
N03/0108017	B2-1-3/02	23

PARÇA NO	SAYFA NO	NO
PART NO	PAGE NO	NO
N03/0108017	B2-1-3/02	30
N03/0108017	B2-1-4/02	47
N03/0108017	B2-10-1/03	7
N03/0110002	B1-5-1/03	7
N03/0140017	B1-2-1/09	20
N03/0140017	B2-1-5	15
N03/0140017	B2-1-5	20
N03/0140017	D2-2-1	8
N03/0140017	H1-5-1/02	12
N03/0202202	E2-23-1-OP/01	2
N03/0210151	F1-1-1/01	4
N03/0210152	E1-8-1/01	32
N03/0211163	D2-3-1-OP1/01	21
N03/0211163	E2-8-1/04	6
N03/0211163	G2-2-1	19
N03/0212182	E1-3-1-OP1-1/02	12
N03/0212182	E1-3-1-OP1-1/03	12
N03/0212182	E1-3-1-OP1-2/02	12
N03/0212182	E1-3-1-OP1-2/03	12
N03/0212182	E1-3-1-OP2/03	8
N03/0212182	E1-3-1-OP2/05	8
N03/0212182	E1-3-1-OP3/01	10
N03/0212182	E2-8-1/04	12
N03/0213191	E2-7-1	5
N03/0213191	E2-12-1-OP/01	8
N03/0213191	E2-20-1	3
N03/0214201	E2-4-1	6
N03/0216221	B2-1-4/02	18
N03/0216221	B2-1-4/02	48
N03/0216221	D2-3-1-OP1/01	18
N03/0216221	E2-9-1-OP1/01	4
N03/0218242	A1-7-1-OP2	12
N03/0218242	A1-7-1-OP2/01	12
N03/0218242	E2-19-1	3
N03/0219221	E2-3-1-OP2/04	42
N03/0221252	A2-3-1-OP1	18
N03/0221252	A2-3-1-OP2	18
N03/0221252	B3-2-1-2-OP1	21
N03/0221252	B4-1-1-OP1	6
N03/0226331	B1-5-1/03	25
N03/0226331	B1-7-1/01	10
N03/0230241	A1-7-1-OP2	13
N03/0230241	A1-7-1-OP2/01	13
N03/0232392	E3-5-1-2/04	3
N03/0312201	D1-1-1-OP1	4
N03/0312201	D1-3-1-OP1	29
N03/0312201	D1-3-1-OP1/01	29
N03/0312201	D1-3-1-OP3	29
N03/0312201	D1-5-1	6
N03/0370650	C1-2-1-OP1	5
N03/0590001	B2-3-2/03	4
N03/0590001	B2-3-2-OP/02	4
N03/0590001	B2-4-2/06	11
N03/0590001	B2-4-2/10	11
N03/0720006	B1-9-1-OP1/01	6
N03/0720006	B1-9-1-OP2	6
N03/0720006	H1-1-1/04	6
N03/1170008	B1-9-1-OP1/01	9
N03/1170008	B1-9-1-OP2	9
N03/1170008	C1-5-1	5
N03/1170017	B1-3-1/01	16
N03/1170017	B1-3-1/01	20
N03/1170017	B1-5-1/03	23
N03/1170017	B1-7-1/01	13
N03/1170017	B1-9-1-OP1/01	15
N03/1170017	B1-9-1-OP2	15

PARÇA NO	SAYFA NO	NO
PART NO	PAGE NO	NO
S45/01065	A2-2-1-2-OP1	17
S45/01070	A2-2-1-2-OP1	18
S45/01075	A2-2-1-2-OP1	19
S45/01080	A2-2-1-2-OP1	20
S45/01085	A2-2-1-2-OP1	21
S45/01090	A2-2-1-2-OP1	22
S45/01095	A2-2-1-2-OP1	27
S45/01100	A2-2-1-2-OP1	28
S45/01105	A2-2-1-2-OP1	29
S45/01110	A2-2-1-2-OP1	30
S45/01115	A2-2-1-2-OP1	31
S45/01120	A2-2-1-2-OP1	33
S45/01125	A2-2-1-2-OP1	34
S45/01130	A2-2-1-2-OP1	35
S45/01130	A2-2-1-2-OP1	73
S45/01135	A2-2-1-2-OP1	36
S45/01140	A2-2-1-2-OP1	37
S45/01145	A2-2-1-2-OP1	39
S45/01150	A2-2-1-2-OP1	40
S45/01150	A2-2-1-2-OP1	58
S45/01155	A2-2-1-2-OP1	41
S45/01160	A2-2-1-2-OP1	42
S45/01165	A2-2-1-2-OP1	43
S45/01165	A2-2-1-2-OP1	55
S45/01170	A2-2-1-2-OP1	44
S45/01175	A2-2-1-2-OP1	45
S45/01185	A2-2-1-2-OP1	47
S45/01185	A2-2-1-2-OP1	66
S45/01190	A2-2-1-2-OP1	48
S45/01195	A2-2-1-2-OP1	49
S45/01200	A2-2-1-2-OP1	50
S45/01200	A2-2-1-2-OP1	76
S45/01205	A2-2-1-2-OP1	51
S45/01210	A2-2-1-2-OP1	52
S45/01215	A2-2-1-2-OP1	53
S45/01220	A2-2-1-2-OP1	54
S45/01225	A2-2-1-2-OP1	56
S45/01230	A2-2-1-2-OP1	57
S45/01235	A2-2-1-2-OP1	59
S45/01240	A2-2-1-2-OP1	60
S45/01245	A2-2-1-2-OP1	61
S45/01250	A2-2-1-2-OP1	62
S45/01255	A2-2-1-2-OP1	63
S45/01260	A2-2-1-2-OP1	64
S45/01270	A2-2-1-2-OP1	65
S45/01270	A2-2-1-2-OP1	72
S45/01275	A2-2-1-2-OP1	67
S45/01280	A2-2-1-2-OP1	68
S45/01285	A2-2-1-2-OP1	69
S45/01290	A2-2-1-2-OP1	74
S45/01295	A2-2-1-2-OP1	75
S45/01335	A2-2-1-2-OP1	78
S45/01340	A2-2-1-2-OP1	46
S45/01345	A2-2-1-2-OP1	79
S45/01350	A2-2-1-2-OP1	77
S45/02900	A2-2-1-2-OP2	34
S45/02922	A2-2-1-2-OP2	6
S45/02924	A2-2-1-2-OP2	15
S45/02926	A2-2-1-2-OP2	21
S45/02928	A2-2-1-2-OP2	57
S45/02930	A2-2-1-2-OP2	61
S45/02932	A2-2-1-2-OP2	53
S45/02934	A2-2-1-2-OP2	74
S45/02936	A2-2-1-2-OP2	76
S45/02938	A2-2-1-2-OP2	42

PARÇA NO	SAYFA NO	NO
PART NO	PAGE NO	NO
S45/02938	A2-2-1-2-OP2	52
S45/02940	A2-2-1-2-OP2	43
S45/02942	A2-2-1-2-OP2	56
S45/02944	A2-2-1-2-OP2	60
S45/02946	A2-2-1-2-OP2	91B
S45/02946	A2-2-1-2-OP2	92B
S45/02948	A2-2-1-2-OP2	58
S45/02950	A2-2-1-2-OP2	62
S45/02952	A2-2-1-2-OP2	54
S45/02954	A2-2-1-2-OP2	75
S45/02956	A2-2-1-2-OP2	77
S45/02958	A2-2-1-2-OP2	47
S45/02960	A2-2-1-2-OP2	36
S45/02962	A2-2-1-2-OP2	37
S45/02964	A2-2-1-2-OP2	46
S45/02968	A2-2-1-2-OP2	38
S45/02970	A2-2-1-2-OP2	81
S45/02970	A2-2-1-2-OP2	83
S45/02972	A2-2-1-2-OP2	82
S45/02974	A2-2-1-2-OP2	80
S45/02976	A2-2-1-2-OP2	67
S45/02978	A2-2-1-2-OP2	16
S45/02980	A2-2-1-2-OP2	5
S45/02980	A2-2-1-2-OP2	9
S45/02982	A2-2-1-2-OP2	4
S45/02984	A2-2-1-2-OP2	29
S45/02986	A2-2-1-2-OP2	66
S45/02988	A2-2-1-2-OP2	23
S45/02990	A2-2-1-2-OP2	30
S45/02992	A2-2-1-2-OP2	17
S45/02994	A2-2-1-2-OP2	20
S45/02996	A2-2-1-2-OP2	19
S45/02998	A2-2-1-2-OP2	1
S45/03000	A2-2-1-2-OP2	2
S45/03002	A2-2-1-2-OP2	8
S45/03004	A2-2-1-2-OP2	12
S45/03006	A2-2-1-2-OP2	13
S45/03007	A2-2-1-2-OP2	14
S45/03010	A2-2-1-2-OP2	24
S45/03012	A2-2-1-2-OP2	25
S45/03020	A2-2-1-2-OP2	35
S45/03022	A2-2-1-2-OP2	71
S45/03024	A2-2-1-2-OP2	72
S45/03030	A2-2-1-2-OP2	59
S45/03032	A2-2-1-2-OP2	55
S45/03034	A2-2-1-2-OP2	90
S45/03036	A2-2-1-2-OP2	65
S45/03038	A2-2-1-2-OP2	70
S45/03040	A2-2-1-2-OP2	73
S45/10010	A2-2-1-2-OP1	80
S45/10015	A2-2-1-2-OP1	81
S45/10020	A2-2-1-2-OP1	82
S45/10030	A2-2-1-2-OP1	84
S45/14000	A2-2-1-2-OP3	20
S45/14010	A2-2-1-2-OP3	16
S45/14015	A2-2-1-2-OP3	43
S45/14020	A2-2-1-2-OP3	61
S45/14020	A2-2-1-2-OP4	58
S45/14025	A2-2-1-2-OP3	59
S45/14030	A2-2-1-2-OP3	58
S45/14034	A2-2-1-2-OP4	27
S45/14040	A2-2-1-2-OP3	10
S45/14040	A2-2-1-2-OP3	22
S45/14040	A2-2-1-2-OP4	21
S45/14040	A2-2-1-2-OP4	31

PARÇA NO	SAYFA NO	NO
PART NO	PAGE NO	NO
S45/14045	A2-2-1-2-OP3	27
S45/14050	A2-2-1-2-OP3	53
S45/14055	A2-2-1-2-OP3	37
S45/14060	A2-2-1-2-OP3	54
S45/14065	A2-2-1-1-OP3	9
S45/14065	A2-2-1-1-OP4	8
S45/14066	A2-2-1-2-OP4	26
S45/14070	A2-2-1-2-OP3	47
S45/14075	A2-2-1-2-OP3	25
S45/14080	A2-2-1-2-OP3	9
S45/14080	A2-2-1-2-OP3	23
S45/14080	A2-2-1-2-OP4	20
S45/14080	A2-2-1-2-OP4	30
S45/14081	A2-2-1-2-OP4	24
S45/14085	A2-2-1-2-OP3	51
S45/14090	A2-2-1-2-OP3	14
S45/14091	A2-2-1-2-OP4	37
S45/14100	A2-2-1-2-OP3	36
S45/14105	A2-2-1-2-OP3	40
S45/14110	A2-2-1-2-OP3	3
S45/14110	A2-2-1-2-OP4	7
S45/14113	A2-2-1-2-OP4	50
S45/14115	A2-2-1-2-OP3	62
S45/14116	A2-2-1-2-OP4	22
S45/14119	A2-2-1-2-OP4	43
S45/14120	A2-2-1-2-OP3	56
S45/14125	A2-2-1-2-OP3	52
S45/14125	A2-2-1-2-OP4	55
S45/14127	A2-2-1-2-OP4	47
S45/14129	A2-2-1-2-OP4	36
S45/14130	A2-2-1-2-OP3	45
S45/14134	A2-2-1-2-OP4	42
S45/14135	A2-2-1-2-OP3	33
S45/14138	A2-2-1-1-OP4	7C
S45/14140	A2-2-1-2-OP3	42
S45/14141	A2-2-1-2-OP4	61
S45/14145	A2-2-1-2-OP3	44
S45/14150	A2-2-1-2-OP3	11
S45/14151	A2-2-1-2-OP4	38
S45/14155	A2-2-1-2-OP3	39
S45/14156	A2-2-1-2-OP4	11
S45/14160	A2-2-1-2-OP3	49
S45/14165	A2-2-1-2-OP3	57
S45/14167	A2-2-1-2-OP4	34
S45/14169	A2-2-1-2-OP4	33
S45/14170	A2-2-1-2-OP3	60
S45/14172	A2-2-1-2-OP4	35
S45/14174	A2-2-1-2-OP4	39
S45/14175	A2-2-1-2-OP3	48
S45/14176	A2-2-1-2-OP4	41
S45/14178	A2-2-1-2-OP4	44
S45/14180	A2-2-1-2-OP3	13
S45/14181	A2-2-1-2-OP4	45
S45/14185	A2-2-1-2-OP3	8
S45/14186	A2-2-1-2-OP4	48
S45/14189	A2-2-1-2-OP4	49
S45/14193	A2-2-1-2-OP4	56
S45/14194	A2-2-1-2-OP4	57
S45/14195	A2-2-1-2-OP3	31
S45/14196	A2-2-1-2-OP4	59
S45/14197	A2-2-1-2-OP4	60
S45/14198	A2-2-1-2-OP4	63
S45/14199	A2-2-1-2-OP4	10
S45/14200	A2-2-1-2-OP3	30
S45/14201	A2-2-1-2-OP4	46

CLICK HERE TO **DOWNLOAD** THE COMPLETE MANUAL

- Thank you very much for reading the preview of the manual.
- You can download the complete manual from: www.heydownloads.com by clicking the link below



- Please note: If there is no response to CLICKING the link, please download this PDF first and then click on it.

CLICK HERE TO **DOWNLOAD** THE COMPLETE MANUAL