

Agrotron M 610 -> 20001

V0 - BALLAST, TOWING HITCHES

FRONT HITCHES

FRONT TOWING HITCH.....	V0.01.0 (1)
CATCHING MOUTH.....	V0.01.1 (1)

REAR HITCHES

TRAILER STAND - DRAWBAR COUPLING.....	V0.02.0 (1)
FRAME HOOK HOLDER.....	V0.02.1 (1)
FRAME HOOK HOLDER.....	V0.02.2 (1)
FRAME HOOK HOLDER.....	V0.02.3 (1)
TOWING FRAME - WITH PITON-FIX.....	V0.02.4 (1)
TOWING FRAME - WITH PITON-FIX.....	V0.02.5 (1)
TRAILER STAND - DRAWBAR COUPLING Ø mm 80.....	V0.02.6 (1)
TRAILER STAND - DRAWBAR COUPLING Ø mm 80.....	V0.02.6 (2)
TRAILER STAND - DRAWBAR COUPLING Ø mm 80.....	V0.02.6 (3)
TRAILER STAND - DRAWBAR COUPLING Ø mm 80.....	V0.02.7 (1)
DRAWBAR COUPLING.....	V0.02.8 (1)
REAR TOWING HITCH.....	V0.02.9 (1)
REAR TOWING HITCH BRACKET.....	V0.02.10 (1)
REAR TOWING HITCH BRACKET.....	V0.02.11 (1)
DRAWBAR COUPLING MECH.....	V0.02.12 (1)
DRAWBAR COUPLING MECH.....	V0.02.13 (1)
REAR TOWING HITCH CAT: "C".....	V0.02.14 (1)
REAR TOWING HITCH CAT: "C".....	V0.02.15 (1)
REAR TOWING HITCH CAT: "D2".....	V0.02.16 (1)
REAR TOWING HITCH CAT: "D2".....	V0.02.17 (1)
REAR TOWING HITCH CAT: "D3".....	V0.02.18 (1)
REAR TOWING HITCH CAT: "D3".....	V0.02.19 (1)
REAR TOWING HITCH CEE.....	V0.02.20 (1)
DRAWBAR COUPLING CEE.....	V0.02.21 (1)
REAR TOWING HITCH Ø mm 80.....	V0.02.22 (1)
REAR TOWING HITCH Ø mm 80.....	V0.02.23 (1)
AUTOMATIC TOWING HITCH MM 31 - TOWING EYE MM 52.....	V0.02.24 (1)
AUTOMATIC TOWING HITCH 31 MM - TOWING EYE 51 MM.....	V0.02.25 (1)
TOWING COUPLING AUTOM. MM 38 - DRAWBAR EYE MM 52.....	V0.02.26 (1)
TOWING COUPLING AUTOM. MM 38 - DRAWBAR EYE MM 52.....	V0.02.27 (1)
TOWING COUPLING AUTOM. MM 38 - DRAWBAR EYE MM 63.....	V0.02.28 (1)
TOWING COUPLING AUTOM. MM 38 - DRAWBAR EYE MM 63.....	V0.02.29 (1)
PIN FOR REAR TOW HOOK.....	V0.02.30 (1)
PICK-UP-HITCH - MECHANICAL.....	V0.02.31 (1)
PICK-UP-HITCH - HYDRAULIC.....	V0.02.32 (1)
REMOTE CONTROL FOR AUTOMATIC REAR TOWING HITCH.....	V0.02.33 (1)
REMOTE CONTROL FOR AUTOMATIC REAR TOWING HITCH.....	V0.02.34 (1)

CLICK HERE TO **DOWNLOAD** THE COMPLETE MANUAL

- Thank you very much for reading the preview of the manual.
- You can download the complete manual from: www.heydownloads.com by clicking the link below



- Please note: If there is no response to CLICKING the link, please download this PDF first and then click on it.

CLICK HERE TO **DOWNLOAD** THE COMPLETE MANUAL

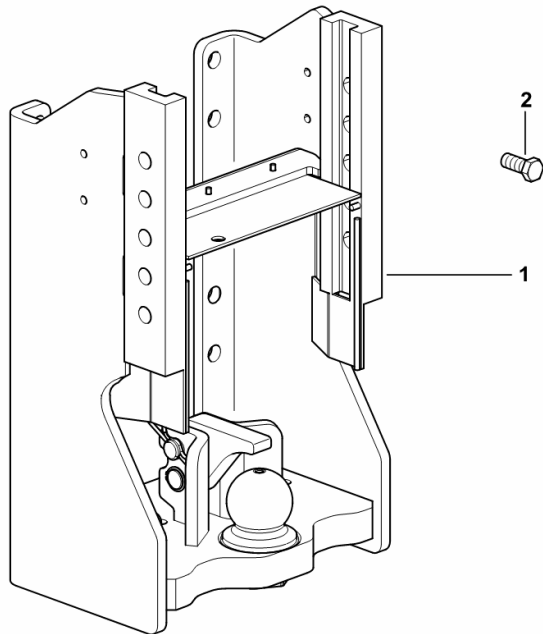
TRAILER STAND - DRAWBAR COUPLING Ø mm 80

Fig.	Code	QTY	Name
------	------	-----	------

Notes:

[Agrotron M 610 -> 20001]

1	0.015.9830.3/10	1	chassis frame CBM ☞ 0.015.9830.3/10
2	2.0129.071.6	10	screw m 18 p.1.5x40



9_L3831_69_0-A-001

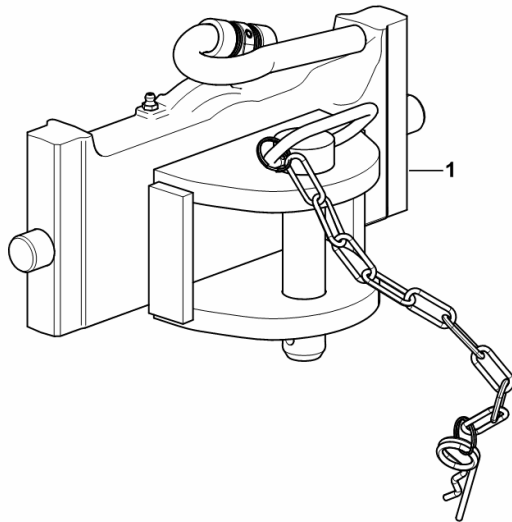
REAR TOWING HITCH CAT: "C"

Fig.	Code	QTY	Name
------	------	-----	------

Notes:

[Agrotron M 610 -> 20001]

1	0.017.8561.3	1	clevis SAUERMAN 🔗 0.017.8561.3
---	--------------	---	-----------------------------------



9_L0131_72_0-A-001

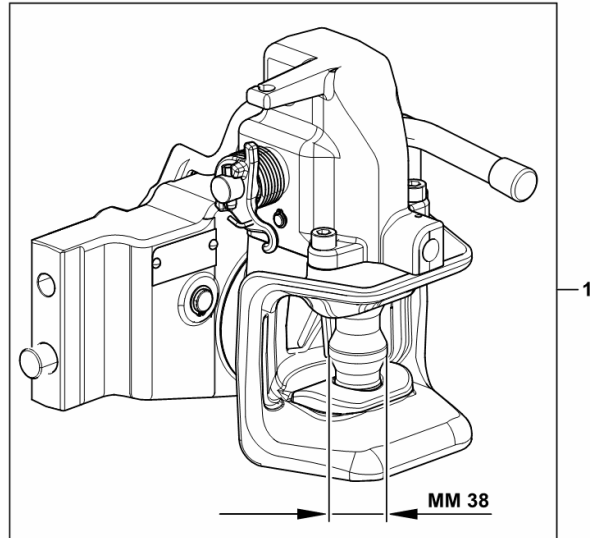
TOWING COUPLING AUTOM. MM 38 - DRAWBAR EYE MM 52

Fig.	Code	QTY	Name
------	------	-----	------

Notes:

[Agrotron M 610 -> 20001]

1	0.015.9811.3/10	1	tow hook CBM (20144 <-) ☞ 0.015.9811.3/10
1	0.017.9614.3	1	tow hook - CBM - (-> 20153)



9_L3831_65_0-A-001

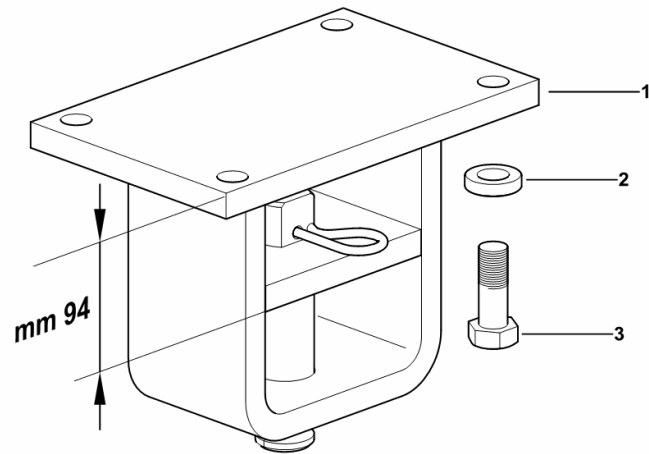
SWINGING DRAWBAR SUPPORT

Fig.	Code	QTY	Name
------	------	-----	------

Notes:

[Agrotron M 610 -> 20001]

1	0.015.9832.3/10	1	support CBM ☞ 0.015.9832.3/10
2	01174740	4	washer 16.5
3	2.0112.617.2	4	screw m 16 p.2x45



9_J3031_67_0-A-001

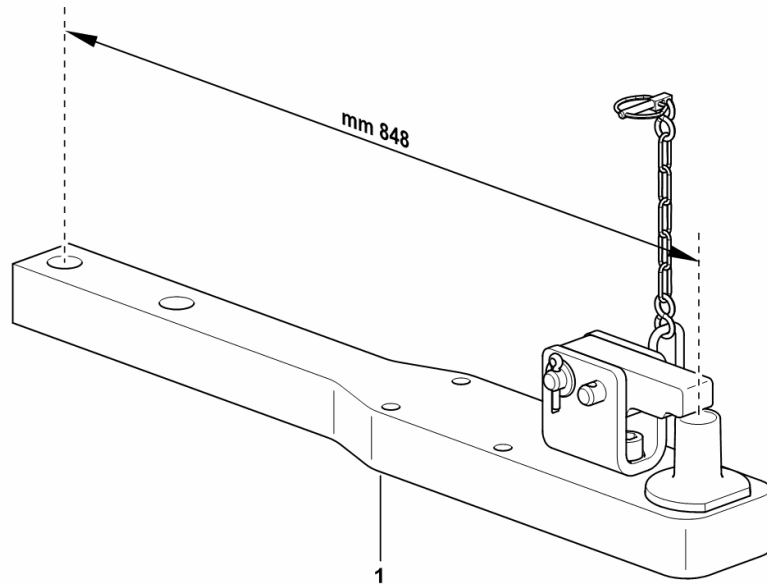
SWINGING DRAWBAR WITH PITON-FIX

Fig.	Code	QTY	Name
------	------	-----	------

Notes:

[Agrotron M 610 -> 20001]

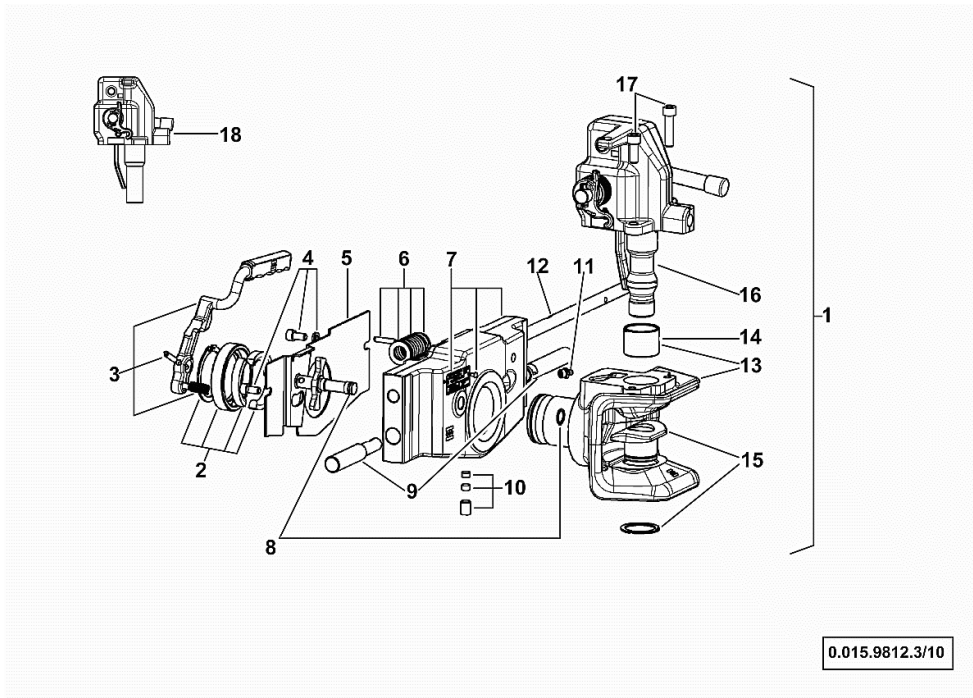
1	0.017.8587.3	1	crosspiece SAUERMANN ☞ 0.017.8587.3
---	--------------	---	--



9_J8231_67_0-A-001

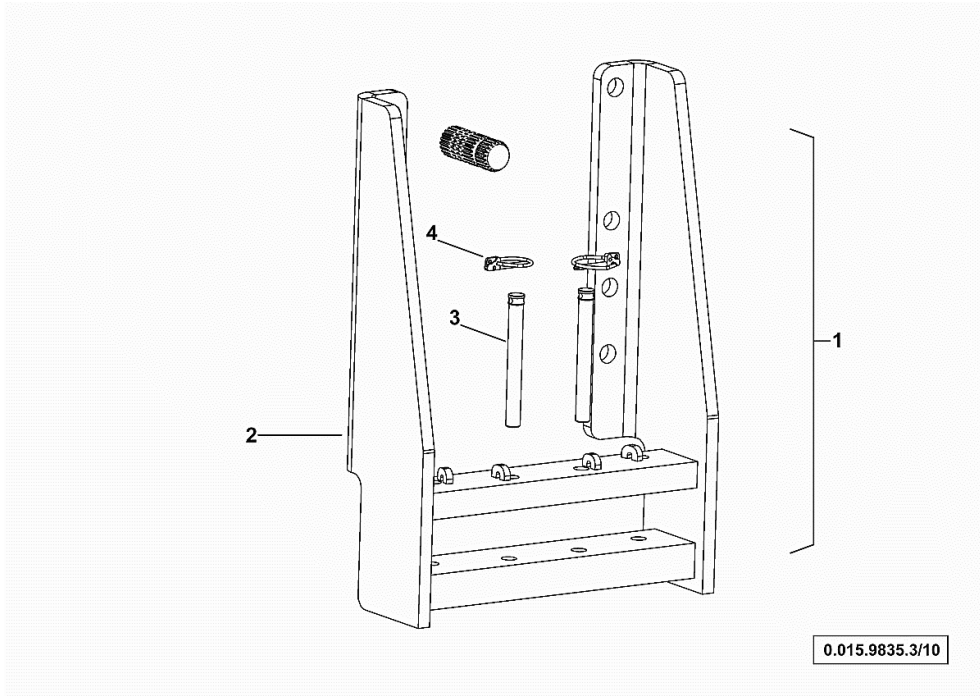
DRAWBAR COUPLING AUTOM.

Fig.	Code	QTY	Name
1	0.015.9812.3/10	1	tow hook CBM
2	0.900.1270.0	1	parts set
3	0.900.1270.1	1	parts set
4	0.900.1270.2	1	screw kit
5	0.900.1270.3	1	plate
6	0.900.1270.4	1	parts set
7	0.900.1274.6	1	support
8	0.900.1270.6	1	parts set
9	0.900.1272.8	1	pin kit
10	0.900.1270.8	1	parts set
11	0.900.1178.7	1	lubricator m 10 p.1
12	0.900.1178.9	1	pin
13	0.900.1274.7	1	clevis
14	0.900.1180.8	1	bushing
15	0.900.1274.8	1	parts set
16	0.900.1274.9	1	pin Ø mm 31
17	0.900.1273.1	1	screw kit
18	0.900.1275.0	1	parts set



CHASSIS

Fig.	Code	QTY	Name
1	0.015.9835.3/10	1	support CBM
2	0.900.1275.8	1	support
3	0.900.1275.9	1	pin
4	0.900.1275.3	1	pin



DRAWBAR COUPLING

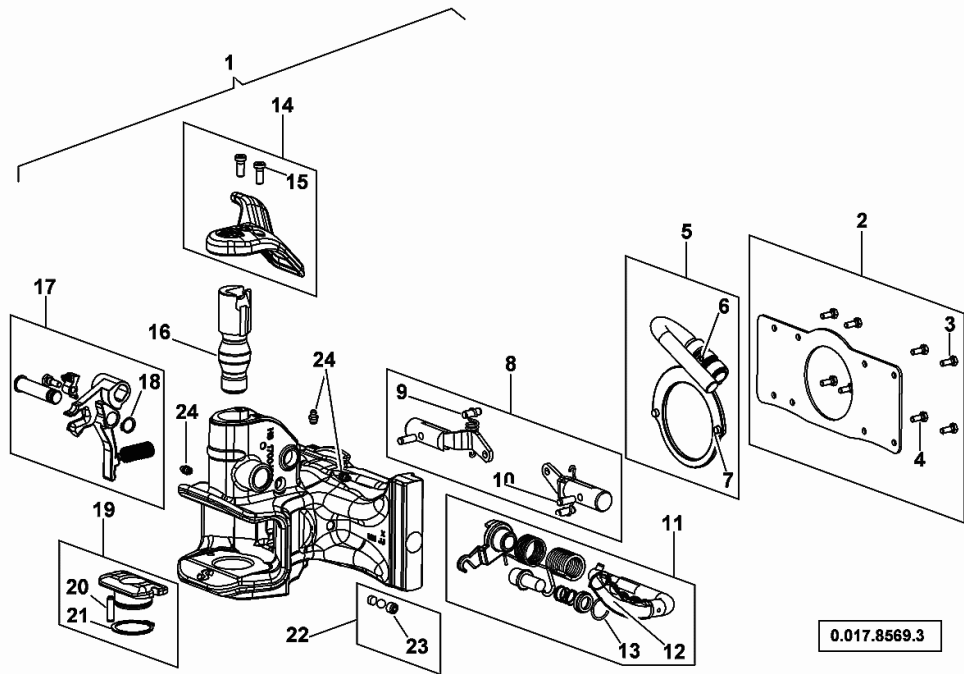
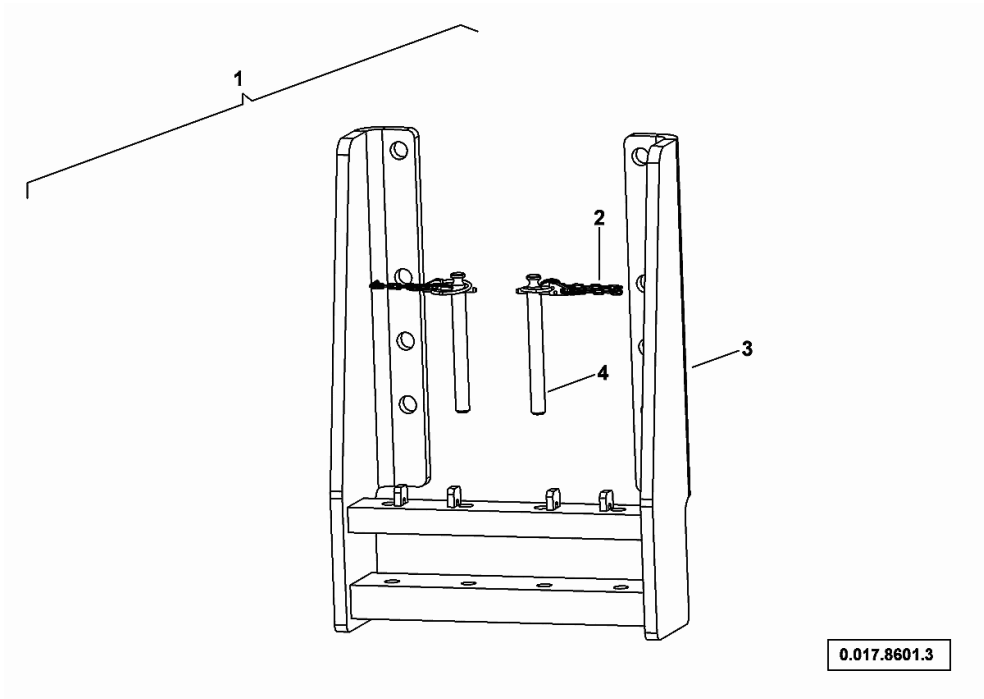


Fig.	Code	QTY	Name
1	0.017.8569.3	1	automatic hook SAUERMANN
2	0.900.0384.5	1	plate
3	0.000.0000.1	2	not serviceable DIN EN20074-M6x12 M6x12
4	0.000.0000.1	6	not serviceable DIN EN20074-M6x20 M6x20
5	0.900.0384.1	1	accessories
6	0.000.0000.1	1	not serviceable ISO 8752 - 6x35 6x35
7	0.000.0000.1	2	not serviceable ISO 8734 - 8 M6x24 M6x10
8	0.900.0384.2	1	accessories
9	0.000.0000.1	2	not serviceable ISO 8734 - 6 M6x26 M6x26
10	0.000.0000.1	2	not serviceable ISO 8734 - 8 M6x24 M6x24
11	0.900.1426.4	1	parts set
12	0.000.0000.1	1	not serviceable ISO 8750 - 8x30 8x30
13	0.000.0000.1	1	not serviceable DIN 7993 - 25x2 25x2
14	0.900.1426.5	1	parts set
15	0.000.0000.1	2	not serviceable DIN 7984 - M8x20 M8X20
16	0.900.1426.6	1	pin
17	0.900.1426.7	1	parts set
18	0.000.0000.1	1	not serviceable DIN 000471- 16X1 16x1
19	0.900.1426.8	1	parts set
20	0.000.0000.1	1	not serviceable ISO 8750 - 8x30 8x30
21	0.000.0000.1	1	not serviceable DIN 000471- 45X1,75

SUPPORT

Fig.	Code	QTY	Name
1	0.017.8601.3	1	support SAUERMANN
2	0.000.0000.1	2	not serviceable d=6
3	0.900.1427.4	1	chassis frame
4	0.900.0386.0	2	pin



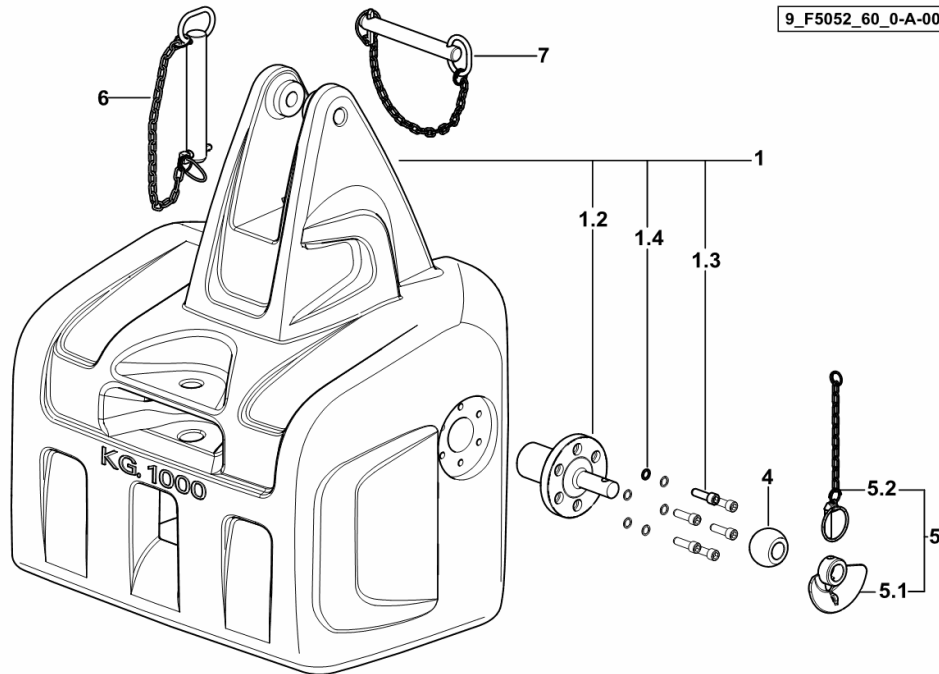
FRONT BALLAST 1000 Kg

Fig.	Code	QTY	Name
------	------	-----	------

Notes:

[Agrotron M 610 -> 20001]

1	0.015.4654.4/40	1	ballast 1000 Kg
1.2	0.014.7310.0/40	2	support
1.3	2.0312.414.2	12	screw m 12 x 40
1.4	2.1480.016.2	12	washer 12
4	0.760.4552.0	2	cap 2 cat.
5	0.760.5951.3	2	pin 2 cat.
5.1	0.011.6899.3	1	sleeve Ø 28.4
5.2	0.012.4860.3	1	contact surface
6	0.014.7307.4/10	1	pin
7	0.016.0306.3/20	1	pin

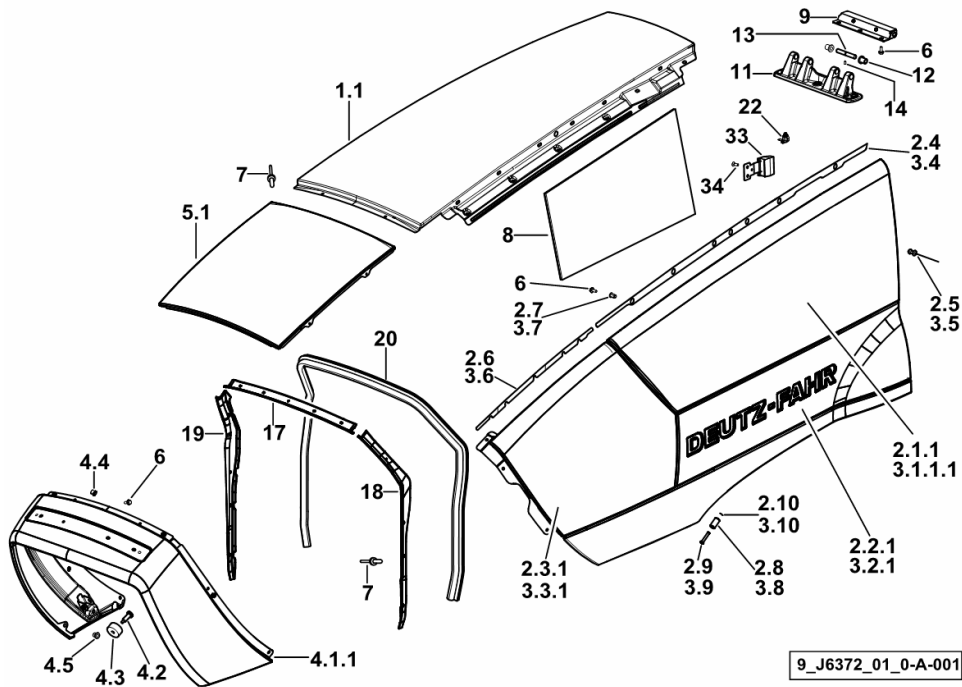


HOOD

Fig.	Code	QTY	Name
------	------	-----	------

Notes:

- FOR ORANGE TRACTORS [Agrotron M 610 -> 20001]



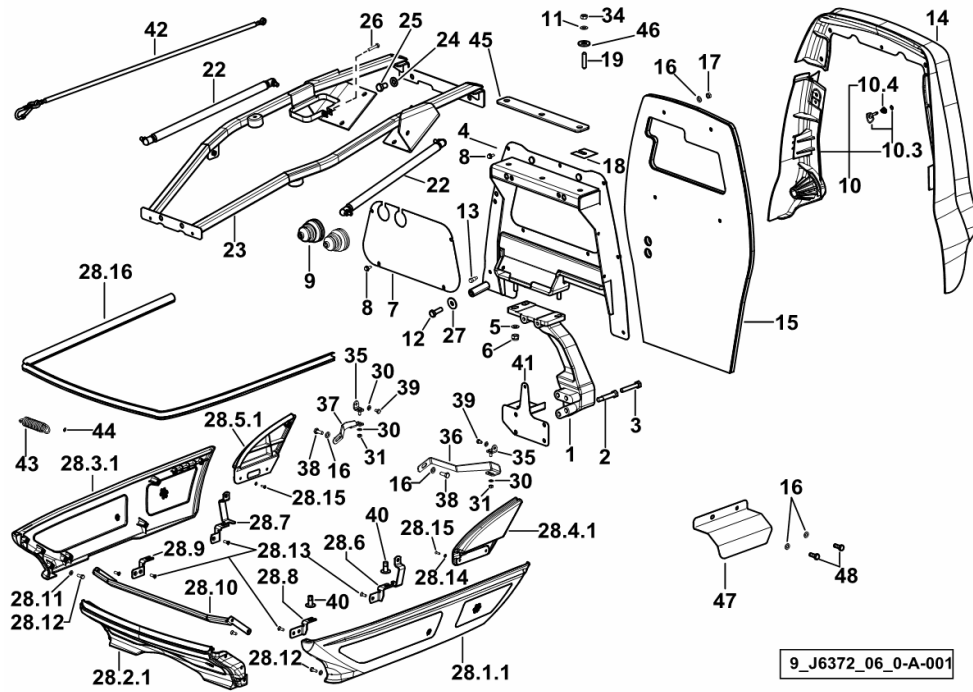
1.1	0.014.1335.3/20	1	upper hood
2.1.1	0.014.1336.3/30	1	lift hand side panel
2.2.1	0.012.9380.0/30	1	grille sx/lh/li
2.3.1	0.012.7253.0/40	1	grille sx/lh/li
2.4	0.013.5995.0	1	gasket sx/lh/li
2.5	2.1856.004.0	15	rivet 4
2.6	0.012.9163.0/10	1	gasket sx/lh/li
2.7	2.1149.004.2	6	insert m 6
2.8	0.013.2570.0	1	sleeve
2.9	0.013.2571.0	1	smau pin
2.10	2.1430.006.2	1	circlip 5
3.1.1.1	0.012.9369.3/50	1	bonnet
3.2.1	0.012.9382.0/40	1	grille dx/rh/re
3.3.1	0.012.7254.0/40	1	grille dx/rh/re
3.4	0.013.6055.0	1	gasket dx/rh/re
3.5	2.1856.004.0	15	rivet 4
3.6	0.012.9164.0/10	1	gasket dx/rh/re
3.7	2.1149.004.2	6	insert m 6
3.8	0.013.2570.0	1	sleeve
3.9	0.013.2571.0	1	smau pin
3.10	2.1430.006.2	1	circlip 5
4.1.1	0.014.1323.3/20	1	grille/grid
4.2	0.012.8465.0	2	screw m 6
4.3	0.012.7257.0/10	2	roller
4.4	2.1149.005.2	4	sleeve m 6
4.5	2.1140.018.2	2	nut m 6 p.1, d934
5.1	0.012.7252.0/20	1	grille
6	2.0129.065.0	41	screw m 6 x 14
7	2.1856.004.0	23	rivet 4
8	04452749/10	2	sound deadening
9	0.013.1914.3/10	1	hinge
11	0.013.0881.0/40	1	support
12	2.1559.147.0	4	bushing 10 x 28 x 18
13	2.1699.563.0	2	pin
14	2.0532.003.7	2	grain m 5x10
17	0.013.2567.0	1	frame
18	0.013.2568.0	1	frame sx/lh/li
19	0.013.2569.0	1	frame dx/rh/re
20	0.013.2565.0/10	1	gasket
22	2.6859.108.0	8	clamp
33	0.013.1133.2	2	guide

HOOD - SUPPORTS

Fig.	Code	QTY	Name
------	------	-----	------

Notes:

- FOR ORANGE TRACTORS [Agrotron M 610 -> 20001]



1	04431863/10	1	support
2	2.0119.287.6	2	screw m 10 x 60
3	2.0114.319.2	2	screw m 10 p 1.5x60
4	0.015.5975.4	1	division
5	2.1310.006.2	3	flat washer 10.5
6	2.1120.006.2	3	nut m 10 p.1.5
7	04452975.3	1	cover
8	2.0129.065.0	10	screw m 6 x 14
9	06547602	2	bellows
10	0.015.7798.4	1	profile dx/rh/re
10.3	0.013.7329.4	1	pin
10.4	2.4019.783.2	1	spring
11	2.1475.203.2	3	spring washer 10
12	2.0112.311.6	1	screw m 10 p 1.5x30
13	2.0119.312.2	1	screw m 6 x 8
14	0.015.7785.4/10	1	frame sx/lh/li
15	0.016.0982.0	1	panel
16	2.1310.004.2	8	flat washer 8.5
17	2.1011.105.2	4	nut m 8 p.1.25
18	04452747	2	spacer
19	2.0422.311.2	3	stud bolt m 10 x 40
22	0.012.6330.4	2	shoch.absorber
23	0.015.8102.4/40	1	bracket
24	2.1310.007.2	2	flat washer 13.5
25	2.0112.407.2	2	screw m 12 p.1.75 x 20
26	2.0112.011.2	1	screw m 6 p.1x30
27	2.1312.005.2	1	washer 10.2
28.1.1	0.015.8574.3/10	1	lining sx/lh/li
28.2.1	0.015.8577.0	1	lining
28.3.1	0.015.8576.3/10	1	lining dx/rh/re
28.4.1	0.015.8579.3/20	1	sealing section sx/lh/li
28.5.1	0.015.8580.3/20	1	sealing section dx/rh/re
28.6	0.015.8526.0/10	1	bracket sx/lh/li
28.7	0.015.8527.0/10	1	bracket dx/rh/re
28.8	0.015.8567.0/10	1	bracket sx/lh/li
28.9	0.015.8528.0/10	1	bracket dx/rh/re
28.10	0.015.8524.0/10	1	chassis frame
28.11	2.1310.002.2	2	washer 6.6, d125
28.12	2.0112.005.2	2	screw m 6 p.1 x 16
28.13	2.0322.406.6	12	screw m 6 p.1.0 x 16
28.14	2.1310.028.2	4	flat washer 4

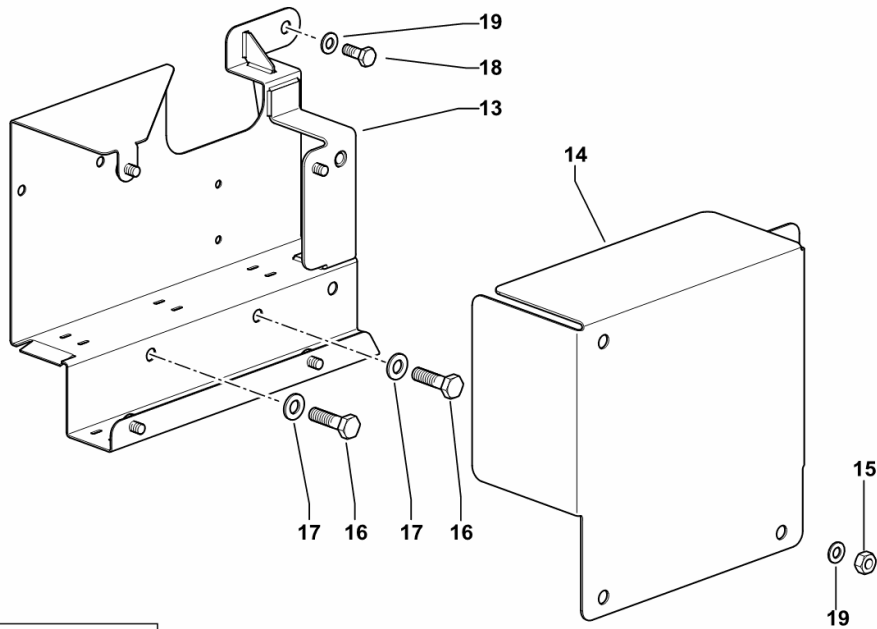
RELAY PROTECTION

Fig.	Code	QTY	Name
------	------	-----	------

Notes:

[Agrotron M 610 -> 20001]

13	0.015.6115.3/10	1	support
14	0.015.6120.0	1	cover
15	2.1011.405.2	4	nut m 8 p.1
16	2.0112.313.2	2	screw m 10 p.1.5 x 35
17	2.1310.006.2	2	flat washer 10.5
18	2.0112.207.2	1	screw m 8 p 1.25 x 20
19	2.1310.004.2	5	flat washer 8.5



9_J3184_06_0-A-001

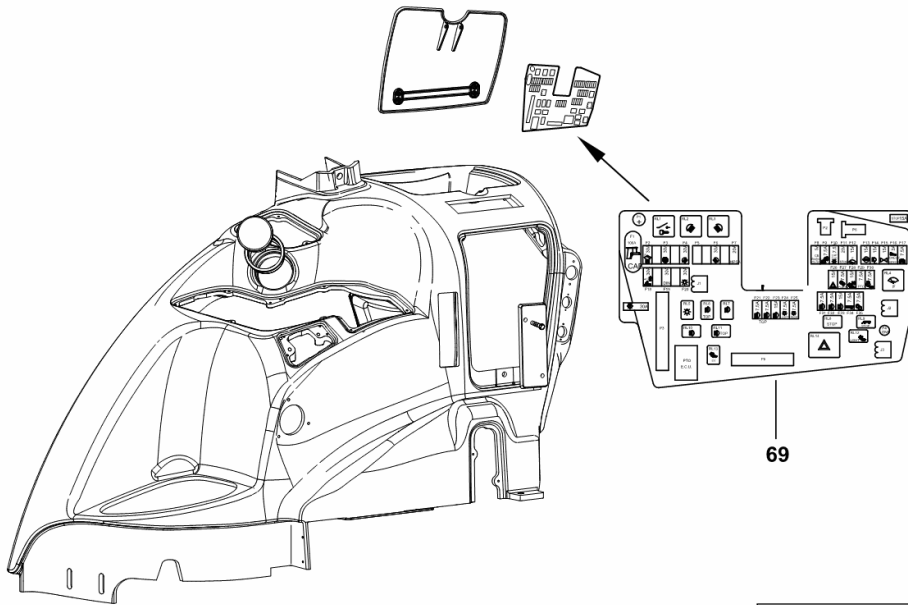
FUSEBOX IDENTIFICATION PLATE

Fig.	Code	QTY	Name
------	------	-----	------

Notes:

[Agrotron M 610 -> 20001] 20191 <-

69	04450692/10	1	stickers
----	-------------	---	----------



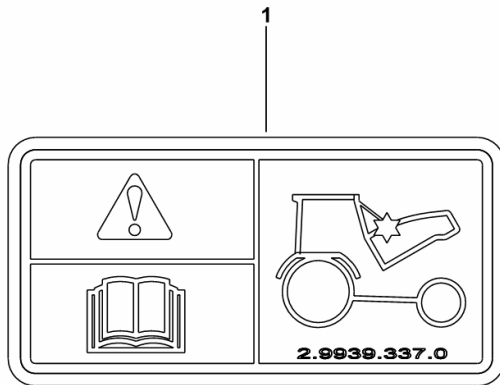
9_J6671_20_0-B-001

WARNING PLATE

Fig.	Code	QTY	Name
------	------	-----	------

Notes:
[Agrotron M 610 -> 20001]

1	2.9939.337.0	1	plate
---	--------------	---	-------



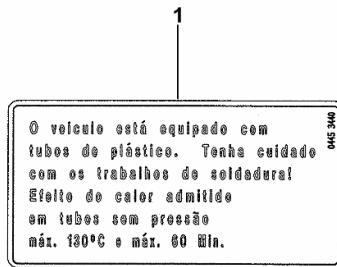
9_J6374_27_0-A-001

WARNING PLATE

Fig.	Code	QTY	Name
1	04453440	1	plate

Notes:

- EXPORT PT [Agrotron M 610 -> 20001]



9_D3374_06_0-A-001

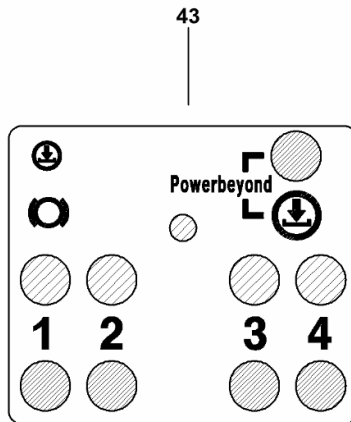
PLATE FOR 8-WAY REMOTE VALVE LOAD SENSING

Fig.	Code	QTY	Name
------	------	-----	------

Notes:

[Agrotron M 610 -> 20001]

43	04452319	1	stickers
----	----------	---	----------



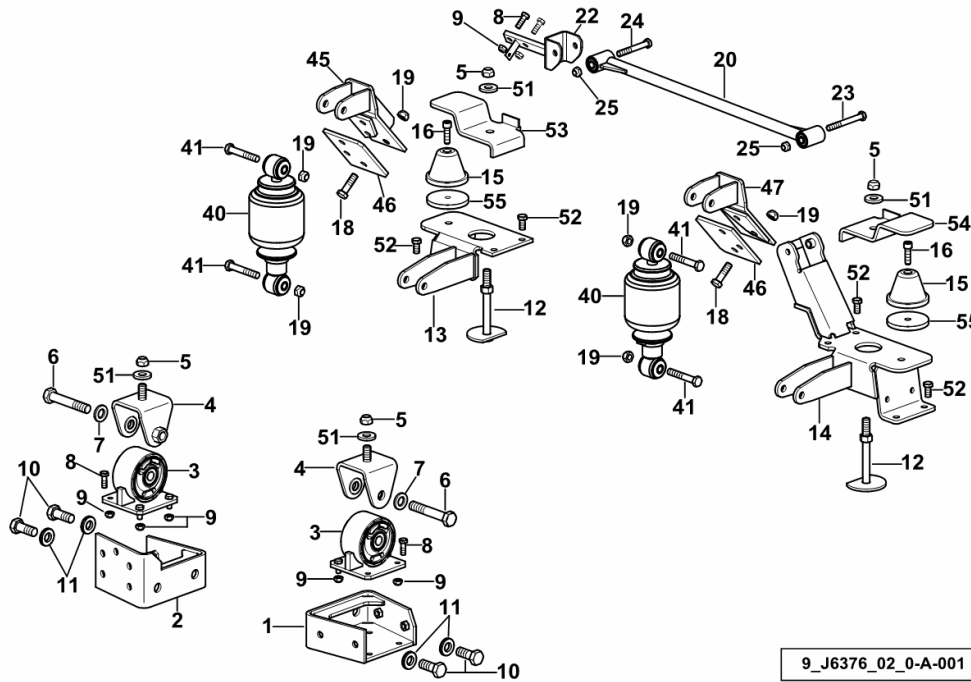
9_F5188_37_0-B-001

CAB BEARING PNEUMATIC SPRINGING

Fig.	Code	QTY	Name
------	------	-----	------

Notes:

- FOR TYPES WITH PNEUMATIC BRAKE [Agrotron M 610 -> 20001] 20124 <-



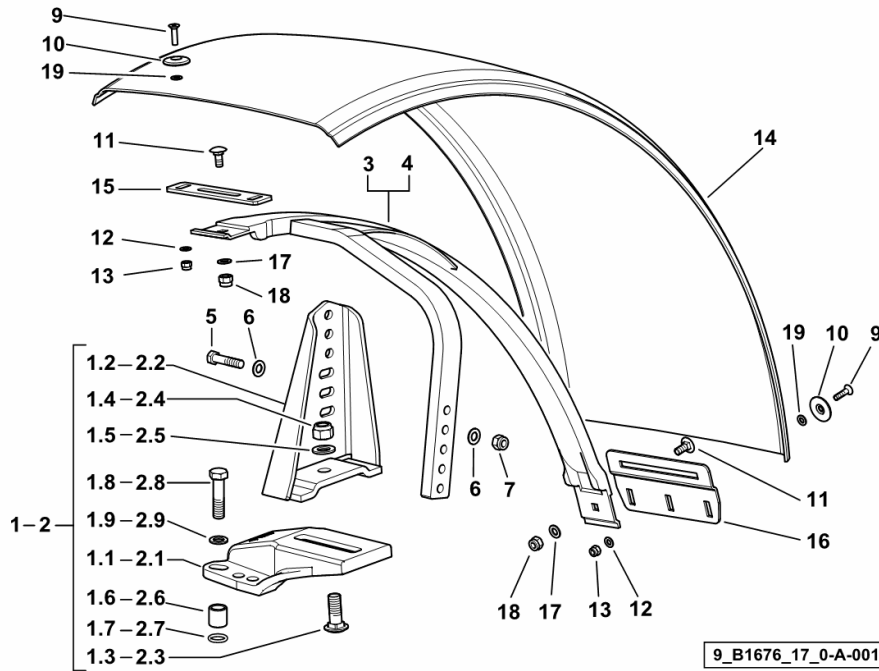
1	0.013.4924.3/20	1	bracket sx/lh/li
2	0.013.5475.3/10	1	bracket dx/rh/re
3	0.013.4925.4/10	2	silent-block
4	0.013.4926.3/10	2	fork
5	2.1121.011.2	4	nut m 16
6	2.0113.832.2	2	screw m 16 x 45
7	2.1475.108.2	2	spring washer 20
8	2.0112.311.2	6	screw m 10 p.1.5 x 30
9	2.1121.007.2	10	nut m 10 p.1.5
10	2.0129.073.6	4	screw m 20 p.2x50
11	01167055	4	washer 20.5x40
12	0.015.6970.4	2	rod
13	0.015.6933.3	1	bracket dx/rh/re
14	0.015.6926.4/30	1	bracket sx/lh/li
15	0.011.3290.2/10	2	stopper
16	2.0312.414.2	2	screw m 12 x 40
18	2.0114.517.2	6	screw m 14 x 50
19	2.1121.010.2	10	nut m 14 p.2
20	04426843.4/10	1	stabiliser
22	04427785	1	joint
23	2.0112.430.2	1	screw m 12x105
24	2.0112.427.2	1	screw m 12 p.1.75 x 90
25	2.1121.008.2	6	nut m 12
40	0.015.1240.4	2	shoch.absorber Ø 125, 10 bar
41	2.0112.526.2	4	screw m 14 p.2x85
45	0.015.6929.2	1	bracket dx/rh/re
46	0.013.5006.0	2	plate
47	0.015.6912.2	1	bracket sx/lh/li
51	01139580	4	washer 17
52	2.0112.409.2	8	screw m 12 p.1.75 x 25
53	0.015.7129.2	1	bracket dx/rh/re
54	0.015.7118.2/10	1	bracket sx/lh/li
55	0.012.3165.0	2	washer Ø 95 / 12.5

ADJUSTABLE FRONT FENDERS mm 470

Fig.	Code	QTY	Name
------	------	-----	------

Notes:

[Agrotron M 610 -> 20001]



1	0.014.7119.4/20	1	support
1.1	0.014.7120.0/10	1	bracket
1.2	0.014.4437.3	1	support dx/rh/re
1.3	2.0029.510.2	1	screw m18x50
1.4	2.1120.210.2	1	selflock nut m 18 p.1.5
1.5	2.1310.011.2	1	flat washer 19x34
1.6	2.1549.628.2	4	spacer 19x27x28
1.7	2.1530.033.0	4	'o' ring 13.10x2.62
1.8	2.0112.622.2	4	screw m 16 p.2x65
1.9	2.1310.010.2	4	flat washer 16
2	0.014.7121.4/20	1	support
2.1	0.014.7120.0/10	1	bracket
2.2	0.014.4447.3	1	support sx/lh/li
2.3	2.0029.510.2	1	screw m18x50
2.4	2.1120.210.2	1	selflock nut m 18 p.1.5
2.5	2.1310.011.2	1	flat washer 19x34
2.6	2.1549.628.2	4	spacer 19x27x28
2.7	2.1530.033.0	4	'o' ring 13.10x2.62
2.8	2.0112.622.2	4	screw m 16 p.2x65
2.9	2.1310.010.2	4	flat washer 16
3	0.014.7115.2	1	chassis frame dx/rh/re
4	0.014.7118.2	1	chassis frame sx/lh/li
5	2.0112.420.2	4	screw m 12 p.1.75x55
6	2.1475.004.2	8	washer 12
7	2.1120.007.2	4	nut m 12 p.1.75
9	2.0349.004.0	10	screw m 8 p.1.25 x 30
10	2.1399.020.0/10	10	washer
11	2.0020.306.2	4	screw m 10 x 25
12	2.1475.002.2	10	conical washer 8
13	2.1120.005.2	10	nut m 8 p.1.25
14	04415575/10	2	fender
15	0.015.1975.0	2	lamination
16	0.015.1976.0	2	lamination
17	2.1475.003.2	4	washer 10
18	2.1120.006.2	4	nut m 10 p.1.5
19	2.1310.004.2	10	flat washer 8.5

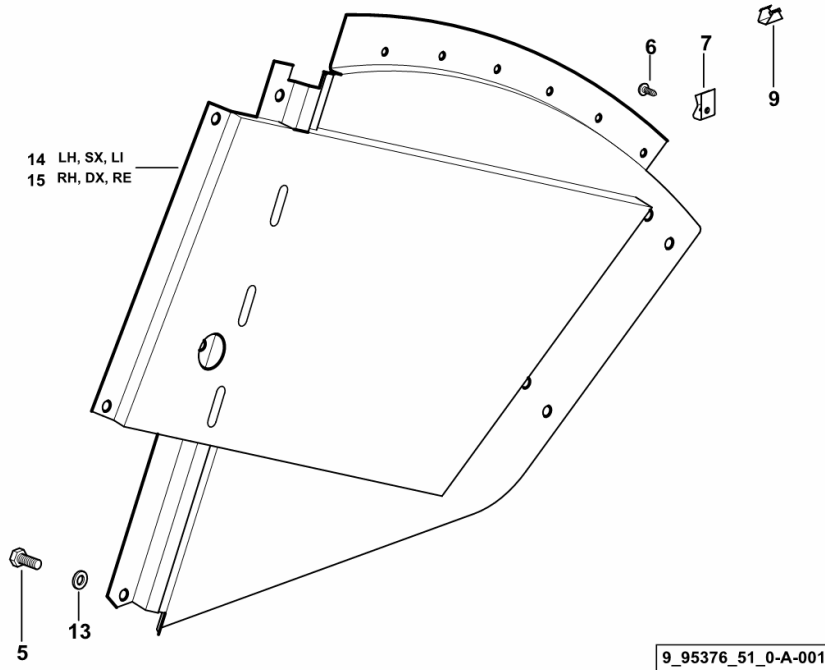
REINFORCED FENDER

Fig.	Code	QTY	Name
------	------	-----	------

Notes:

[Agrotron M 610 -> 20001]

5	04426352	8	screw m 8 p.1.25 x 20
6	04413745	1	screw 4.8x13
7	04413338	12	stop
9	04418149/10	10	small spring
13	2.1310.004.2	10	flat washer 8.5
14	04429862.4	1	division sx/lh/li
15	04429863.4/10	1	division dx/rh/re



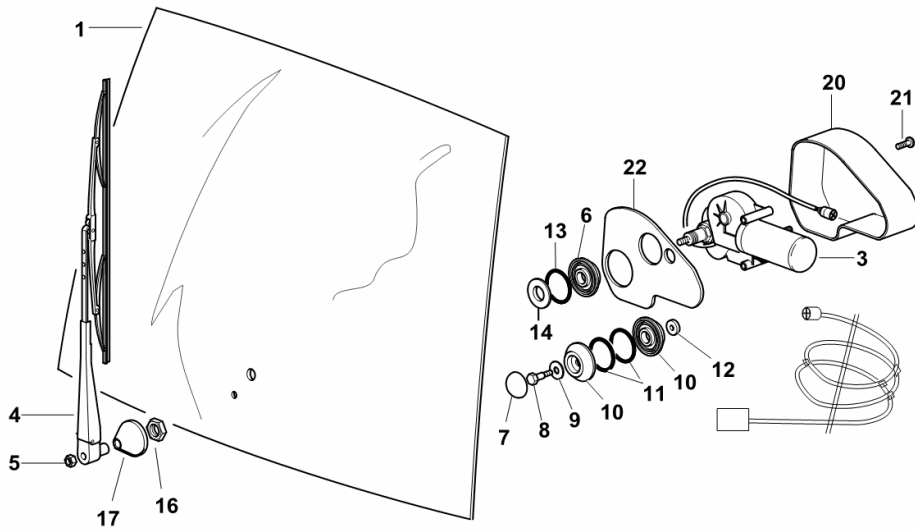
Section: G0 - BODYWORK - CAB
FIXED SCREEN WITH WIPER

Fig.	Code	QTY	Name
------	------	-----	------

Notes:

[Agrotron M 610 -> 20001] 20139 <-

1	0.010.5209.0/20	1	windshield
3	04413192	1	wiper motor
4	0.011.5529.4	1	windscreen wiper ☞ 0.011.5529.4
5	2.1011.105.2	1	nut m 8 p.1.25
6	04413223	1	washer
7	04413793	1	cap
8	04413809	1	screw
9	2.1312.004.2	1	washer 8.4
10	04429423	2	washer
11	2.1530.078.0	2	'o' ring 29.74x3.53
12	04413808	1	washer 6.5x20x5
13	2.1530.103.0	1	'o' ring 39.69x3.53
14	2.1569.176.0	1	gasket 20x40x6
16	04413207	1	nut
17	04413210	1	cap
20	04412044	1	cover
21	2.0330.406.2	2	screw m 6 p.1.0 x 16
22	04414610	1	gasket



9_A0171_11_0-A-001

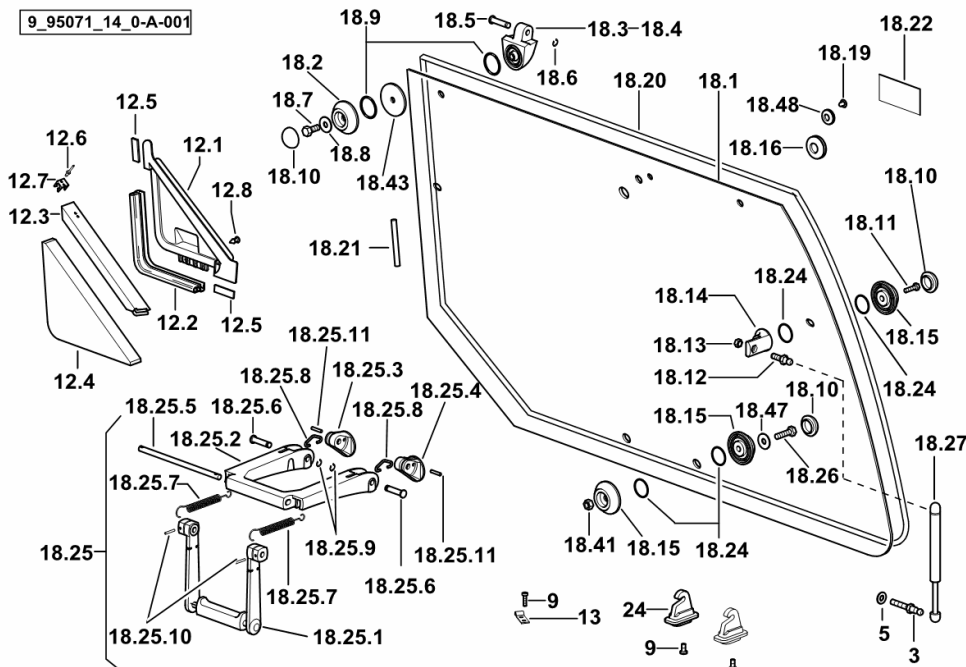
REAR PANEL FLAP

Fig.	Code	QTY	Name
------	------	-----	------

Notes:

[Agrotron M 610 -> 20001]

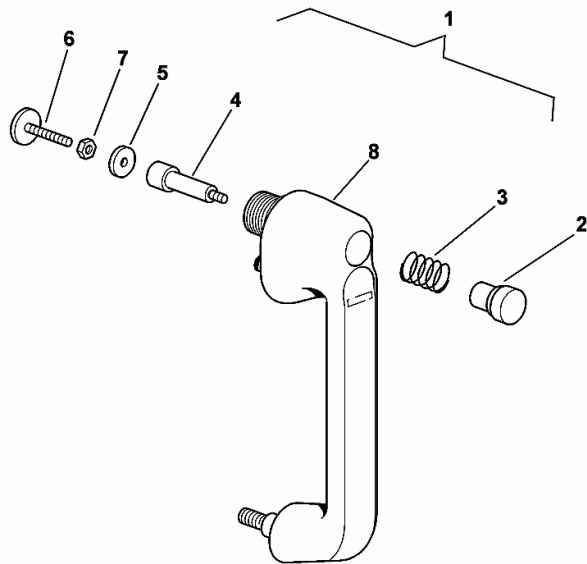
9_95071_14_0-A-001



3	04418838	2	ball joint
5	2.1310.007.2	2	flat washer 13.5
9	04413811	6	screw m 6 p.1.0 x 16
12.1	04423612	1	fin
12.2	01396762	1	profile
12.3	0.013.0848.4	1	chassis frame
12.4	04419385	1	sound deadening
12.5	01395781	1	gasket
12.6	01172850	2	rivet
12.7	04419297/10	1	small spring
12.8	04423613	2	rivet
13	04419380.4	1	hinge
18.1	04429137	1	glass
18.2	04429423	4	washer
18.3	04411248/10	1	hinge sx/lh/li
18.4	04411247/10	1	hinge dx/rh/re
18.5	04413797	2	pin
18.6	01155120	2	washer
18.7	04438410	2	screw m 8 x 25
18.8	2.1310.004.2	3	flat washer 8.5
18.9	2.1530.078.0	4	'o' ring 29.74x3.53
18.10	04413793	9	cap
18.11	2.0112.217.2	2	screw m 8 p.1.25 x 45
18.12	04399070	2	ball joint
18.13	2.1120.105.2	4	selflock nut m 8 p.1.25
18.14	0.010.7738.0/10	2	support
18.15	04412814	4	washer
18.16	04413803	1	plug 25x38x12
18.19	04423613	1	rivet
18.20	04419141	1	gasket
18.21	01388794	1	parting 9x4,5
18.22	01016121	1	sealing compound
18.24	01166059	4	'o' ring 40x3
18.25	0.009.0711.4/30	1	handle
18.25.1	0.009.0710.3/10	1	grip
18.25.2	0.009.0712.0/10	1	handle
18.25.3	0.009.0713.0	1	support dx/rh/re
18.25.4	0.009.0705.0	1	support sx/lh/li
18.25.5	2.1669.041.2/10	1	pin 8 x 174 x 164
18.25.6	2.1699.240.2	2	pin 8 x 35
18.25.7	2.4049.170.2	2	spring

DOOR HANDLE - CAB DOOR RIGHT/LEFT

Fig.	Code	QTY	Name
1	0.013.0217.4	1	handle
2	04413578	1	push-button
3	04414619	1	spring
4	04414618	1	stop
5	04413596	1	washer
6	04413597	1	latch m 8
7	01112831	1	nut m 8
8	0.000.0000.1	1	not serviceable



0_013_0217_4

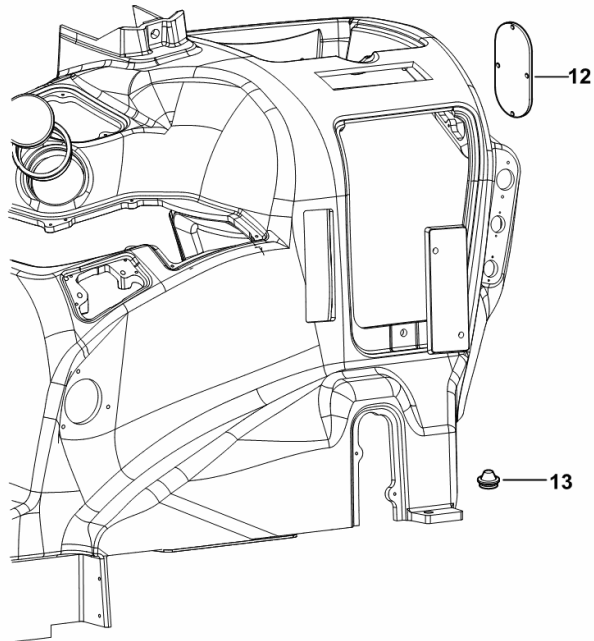
COVER PLATE

Fig.	Code	QTY	Name
------	------	-----	------

Notes:

[Agrotron M 610 -> 20001]

12	04429609	1	cover
13	04424188	1	rubber ring 16



9_95071_24_0-A-001

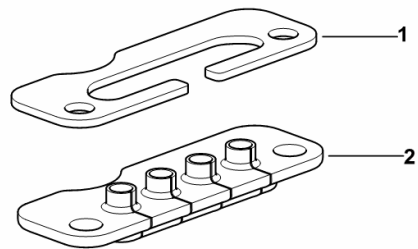
CABLE GROMMET

Fig.	Code	QTY	Name
------	------	-----	------

Notes:

- FOR TYPES WITH FRONT LOADER [Agrotron M 610 -> 20001]

1	04455320/10	1	bracket
2	04455321	1	gasket



9_F5171_43_0-A-001

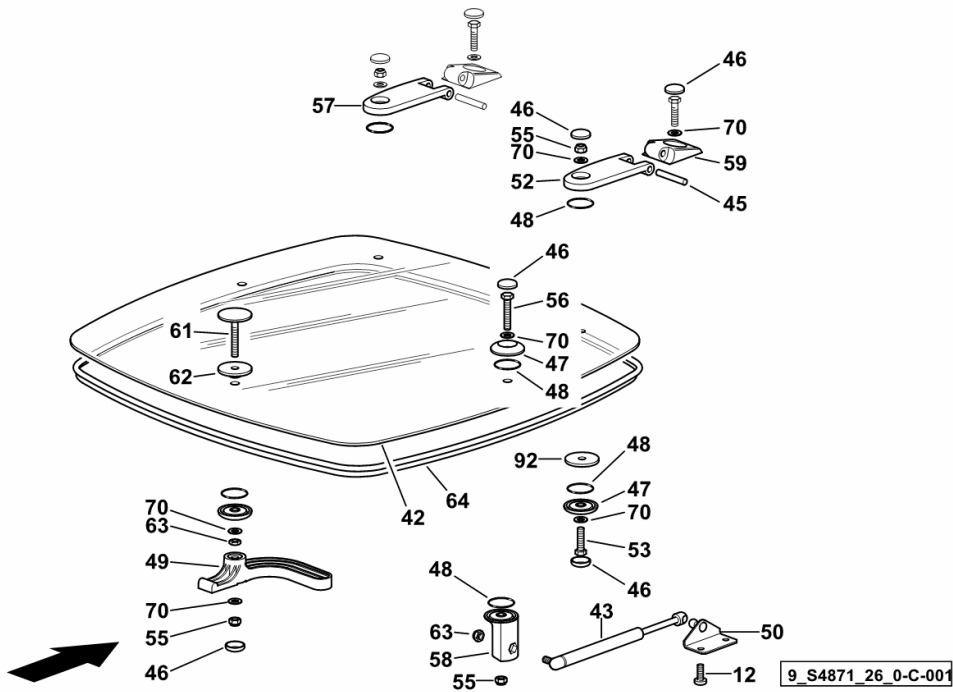
CAB ROOF

Fig.	Code	QTY	Name
------	------	-----	------

Notes:

[Agrotron M 610 -> 20001] -> 20147

12	2.0363.306.3	15	screw m 6x18
42	0.010.6476.0/10	1	window glass
43	04414159	2	shoch.absorber
45	2.1699.486.2	2	pin
46	04413793	11	cap
47	04411716	5	washer
48	2.1530.078.0	7	'o' ring 29.74x3.53
49	0.010.6477.0	1	handle
50	0.010.7739.3	2	support
52	0.010.7525.0	1	hinge dx/rh/re
53	2.0112.213.2	2	screw m 8 p.1.25 x 35
55	2.1120.105.2	9	selflock nut m 8 p.1.25
56	2.0112.215.2	2	screw m 8 p.1.25 x 40
57	0.010.6479.0	1	hinge sx/lh/li
58	0.010.7738.0/10	2	support
59	0.010.6480.0	2	hinge
61	0.010.7736.2	1	screw
62	0.010.7737.0	1	gasket
63	2.1011.105.2	3	nut m 8 p.1.25
64	0.010.8352.0	1	gasket
70	2.1312.004.2	14	washer 8.4
92	2.1499.197.0	2	gasket 16x44x3



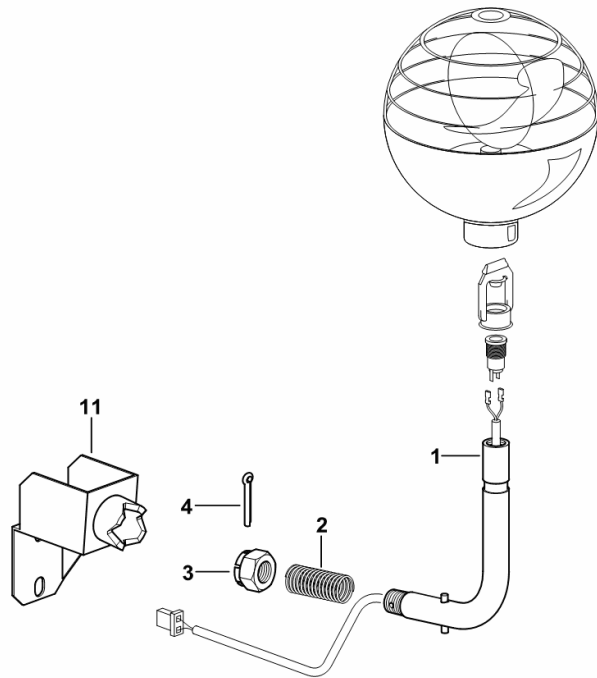
FLASHING LIGHT SUPPORT

Fig.	Code	QTY	Name
------	------	-----	------

Notes:

[Agrotron M 610 -> 20001]

1	0.011.2768.2/20	1	tube
2	2.4019.684.2/10	1	spring
3	2.1019.140.2/10	1	nut
4	2.1690.514.2	1	split pin 5 x 40
11	0.011.4831.2/10	1	support



9_B7484_05_0-A-001

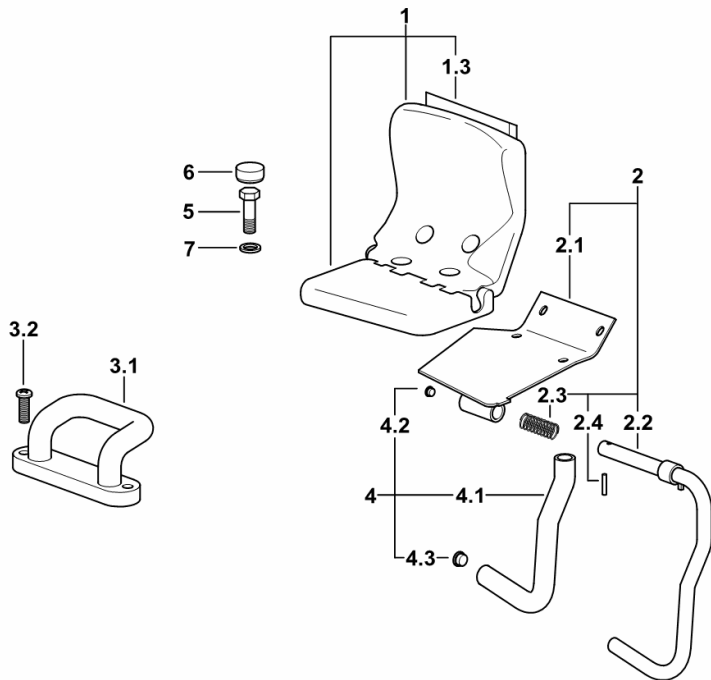
PASSENGER SEAT WITH PROTECTIONS

Fig.	Code	QTY	Name
------	------	-----	------

Notes:

[Agrotron M 610 -> 20001] 20110 <-

1	04429765.4/10	1	passenger seat
1.3	04429768	1	glove pocket
2	04429764.4	1	support
2.1	04429763.4	1	support
2.2	04425627.4	1	bracket
2.3	04425750	1	spring
2.4	01115455	1	pin
3.1	04419922	1	handle
3.2	2.0330.406.2	2	screw m 6 p.1.0 x 16
4	04423676.4	1	guard
4.1	04425747	1	flexible hose
4.2	04425748	1	cap
4.3	01167316	1	plug A 14.7
5	01110591	4	screw m 8 x 40
6	04418895	4	plug
7	2.1310.004.2	4	flat washer 8.5



Section: G0 - BODYWORK - CAB

SEAT-COMPONENTS

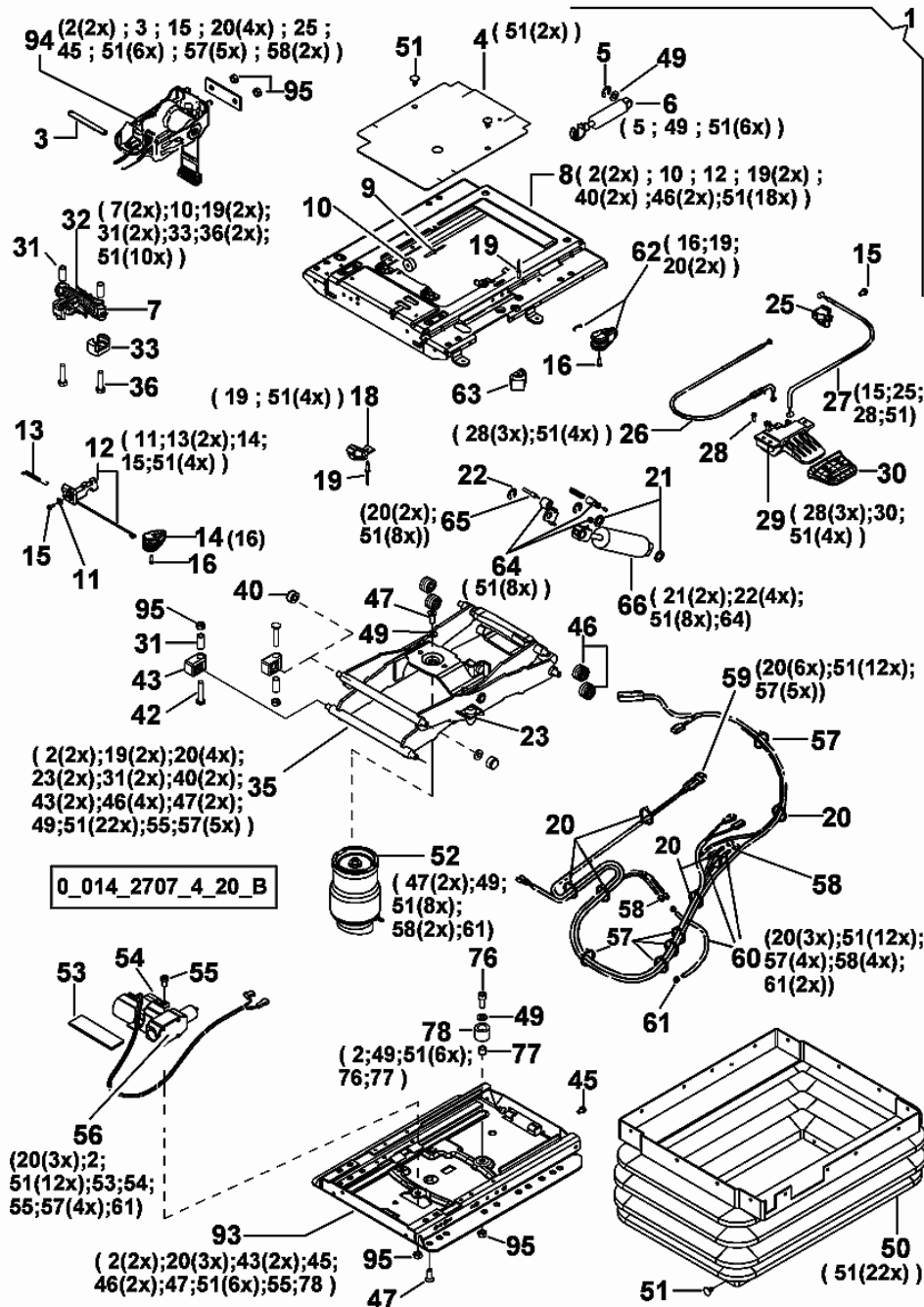


Fig.	Code	QTY	Name
1	0.010.3076.0	1	seat springs
3	0.000.0000.1	1	not serviceable
4	0.010.2277.1	1	cover
5	0.010.3523.0	1	circlip
6	0.900.0133.6	1	shoch.absorber
7	0.010.2956.0	2	bushing
8	0.900.0134.4	1	casing
9	0.010.3523.1	1	rivet
10	0.900.0133.7	1	stop
11	0.010.3151.1	1	washer
12	0.900.0133.9	1	lever
13	0.900.0133.8	2	spring
14	0.010.2077.2	1	knob
15	0.010.3523.2	2	screw
16	04402564	2	screw
18	0.010.2271.2	2	ring
19	04418256	3	rivet
20	04418251	9	metal strap
21	0.000.0000.1	2	not serviceable
22	0.010.3526.0	2	circlip
23	0.010.2275.1	2	stop
25	04402582	1	support
26	0.010.2272.0	1	wire
27	0.010.3077.0	1	wire
28	0.010.2943.1	3	screw
29	0.010.2272.2	1	lever
30	0.010.3526.1	1	grip
31	0.010.2955.2	4	tube
32	0.900.0134.0	1	seat support
33	0.010.2956.1	1	support
35	0.900.0131.5	1	chassis frame
36	0.900.0131.4	2	screw
40	0.010.3526.2	2	roller
42	0.000.0000.1	2	not serviceable
43	0.010.2959.1	2	support
45	0.000.0000.1	1	not serviceable
46	04402577	4	roller
47	0.000.0000.1	2	not serviceable
49	0.000.0000.1	3	not serviceable
50	0.010.3907.2	1	guard
51	0.000.0000.1	24	not serviceable
52	0.900.0131.6	1	spring
53	0.000.0000.1	1	not serviceable
54	0.000.0000.1	1	not serviceable

Section: G0 - BODYWORK - CAB
AIR CONDITIONING SYSTEM

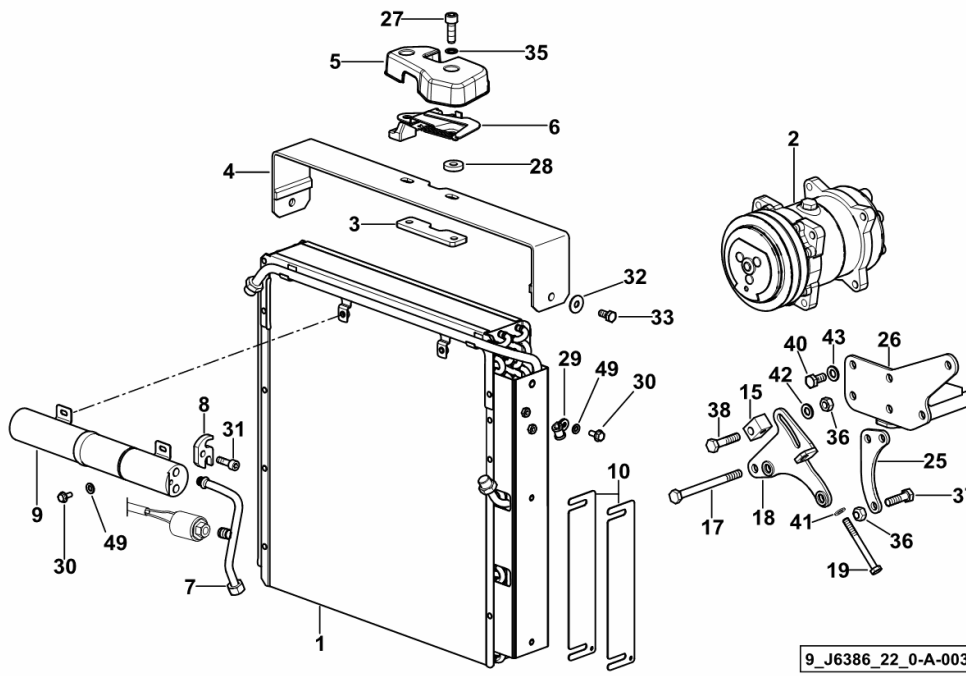


Fig.	Code	QTY	Name
------	------	-----	------

Notes:

[Agrotron M 610 -> 20001] -> 20184

1	0.016.1816.4/10	1	condenser
2	04437339/10	1	gear compressor R 134a ☞ 04437339/10
3	0.016.1264.0	1	plate
4	0.016.1208.2/10	1	bracket
5	0.016.1265.3/10	1	cover
6	0.013.3609.4	1	lock
7	0.016.9663.4	1	tube
8	0.015.4226.0/20	1	spacer
9	0.015.4222.4/20	1	filter R 134a
10	04453248	4	spacer
15	04452840	1	tensioner
17	2.0112.333.2	1	screw m 10 p.1.5x120
18	04452406.3	1	support
19	2.0114.223.2	1	screw
25	04452437	1	support
26	04452409.3/10	1	support
27	2.0312.310.2	2	screw m 10 p.1.5 x 30
28	2.1549.647.2	2	spacer 10.1x26x6
29	2.6839.055.0	2	clamp Ø 11 / 20
30	2.0112.005.2	6	screw m 6 p.1 x 16
31	2.0312.208.2	1	screw m 8 p.1.25 x 25
32	2.1312.004.2	2	washer 8.4
33	2.0112.205.2	2	screw m 8 p.1.25 x 16
35	2.1480.015.2	2	washer 10
36	01136453	6	nut m 10
37	2.0112.313.2	4	screw m 10 p.1.5 x 35
38	2.0112.317.2	1	screw m 10 p.1.5 x 45
40	2.0114.307.2	4	screw m 10 x 20, d933
41	2.1310.004.2	3	flat washer 8.5
42	2.1310.006.2	2	flat washer 10.5
43	2.1475.003.2	4	washer 10
49	2.1310.002.2	4	washer 6.6, d125

9_J6386_22_0-A-003

AIR CONDITIONER PARTS

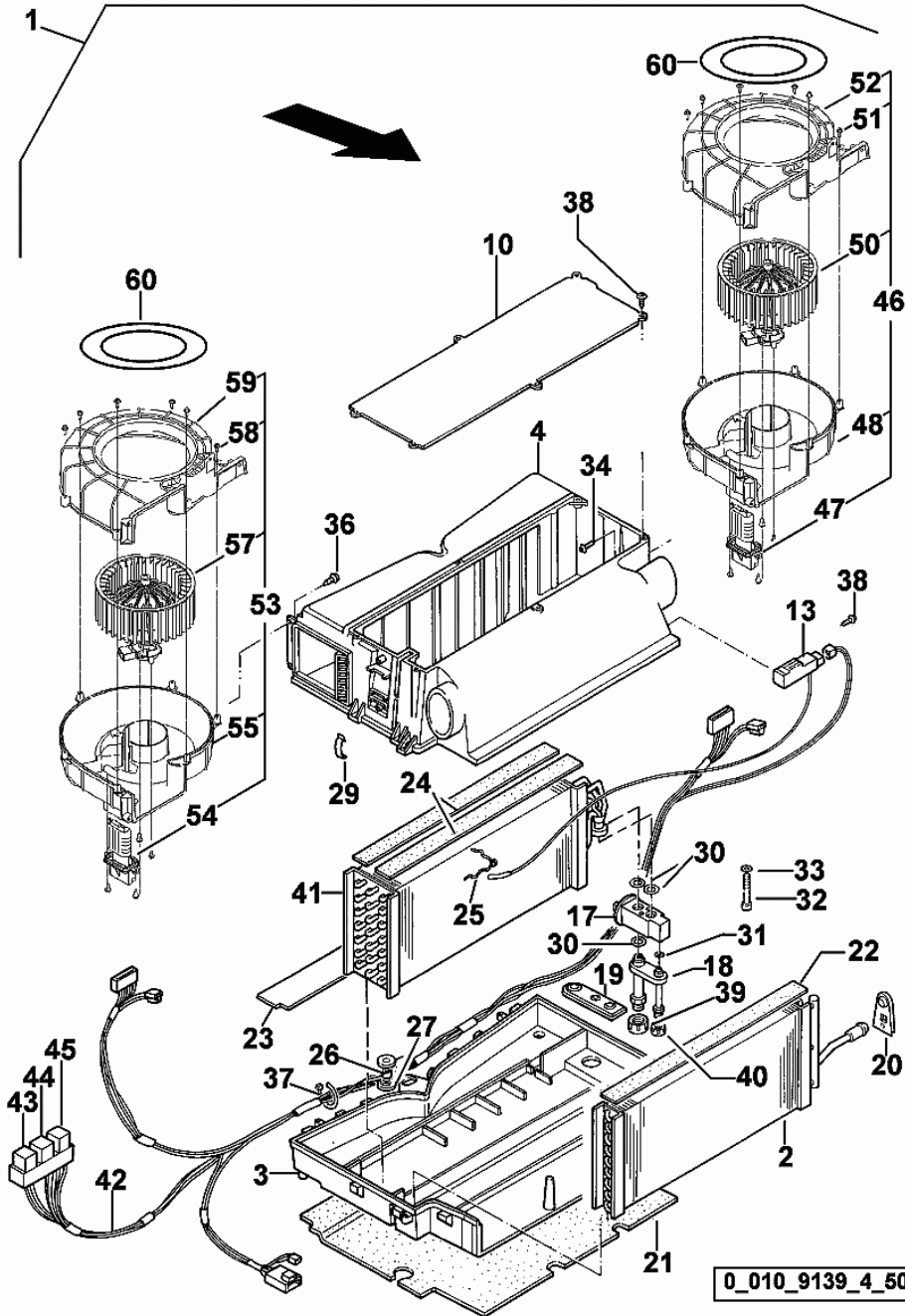


Fig.	Code	QTY	Name
1	0.010.9139.4/50	1	air condition.system
2	0.900.0784.0	1	radiator
3	0.010.2534.1	1	box
4	0.010.2534.2	1	box
10	0.010.2536.2	1	cover
13	0.900.0793.4	1	thermostat
17	0.010.2091.0	1	valve R 134
18	0.010.2538.2	1	pipe fitting
19	0.010.2539.0	1	gasket
20	0.010.2539.1	1	gasket
21	0.010.2539.2	1	gasket
22	0.010.2540.0	1	gasket
23	0.010.2540.1	1	division
24	0.010.2540.0	2	gasket
25	0.010.2540.2	1	small spring
26	0.98538.71.1	1	spacer
27	0.010.2541.0	2	rubber plug
29	0.010.2541.2	11	small spring
30	0.010.2128.1	3	gasket
31	0.010.2542.0	1	'o' ring
32	0.010.2542.1	2	screw m 6 x 50
33	0.010.2542.2	2	washer 6, d128
34	0.010.2543.0	2	screw m 3.5x16
36	0.010.2543.2	14	screw m 3.5x12
37	0.010.2544.0	3	clamp
38	0.010.2543.2	5	screw m 3.5x12
39	0.010.2544.1	1	plug
40	0.010.2544.2	1	plug
41	0.900.0783.9	1	radiator
42	0.900.0783.8	1	wire
43	0.010.3317.2	1	relay 15A NA BROWN
44	0.010.3318.0	1	relay 20A NA WHITE
45	0.900.0049.4	1	relay 20A NA BLACK
46	0.000.0000.1	1	not serviceable
47	0.010.2535.1	1	resistance
48	0.900.0782.1	1	screw conveyor
50	0.900.0035.3	1	rotor blade dx/rh/re WHITE
51	0.900.0782.2	10	screw 4 x 12
52	0.900.0782.0	1	screw conveyor
53	0.000.0000.1	1	not serviceable

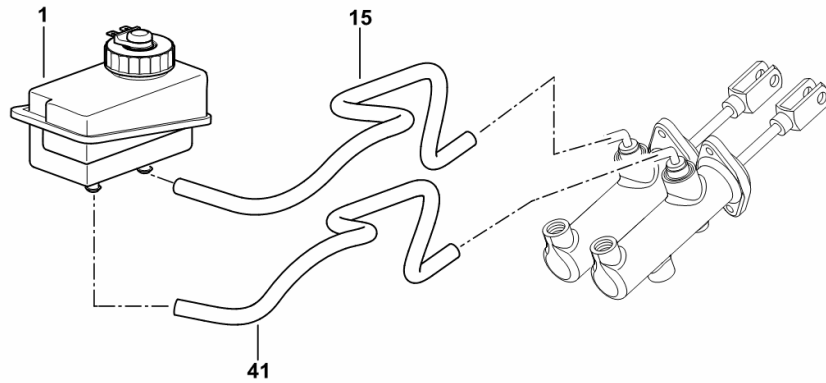
BRAKE FLUID RESERVOIR

Fig.	Code	QTY	Name
------	------	-----	------

Notes:

- FOR TYPES WITHOUT FRONT BRAKES [Agrotron M 610 -> 20001] -> 20145

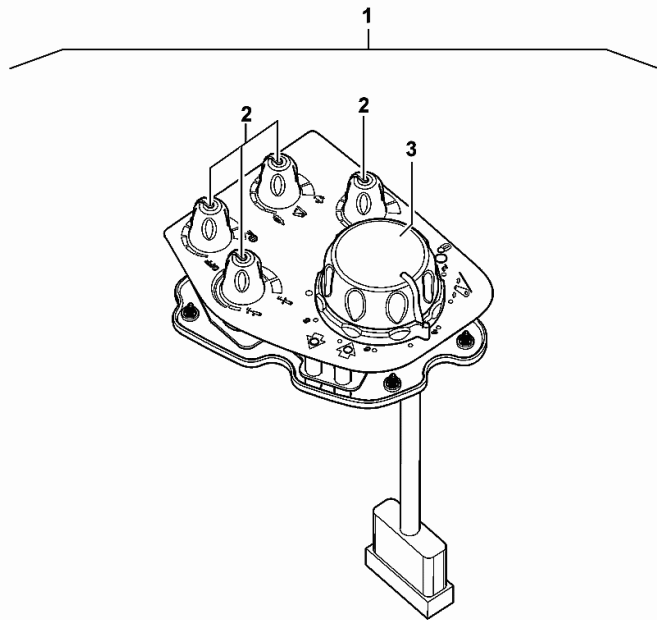
1	0.017.3299.0	1	cup
15	0.012.6343.0	1	tube
41	0.012.6343.0	1	tube



9_J6766_10_0-A-002

CONTROL CONSOLE

Fig.	Code	QTY	Name
1	0.015.7749.4	1	operator panel
2	0.900.0049.8	4	knob
3	0.900.0049.9	1	knob



0.015.7749.4

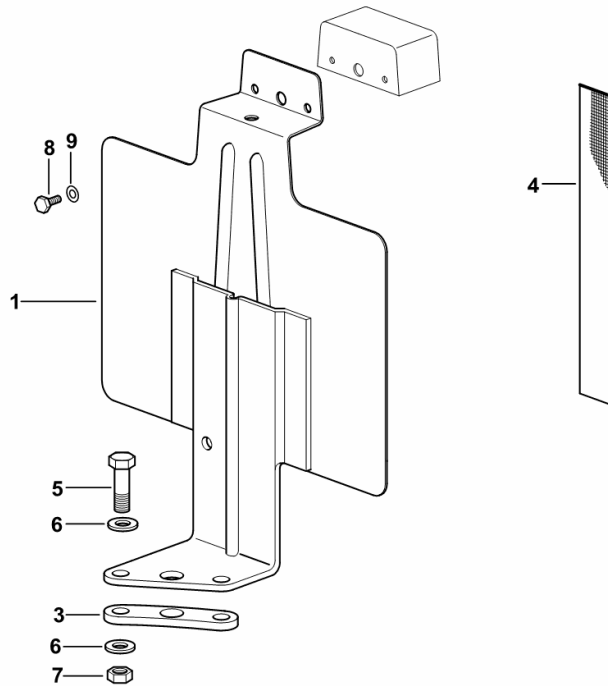
LICENCE PLATE HOLDER

Fig.	Code	QTY	Name
------	------	-----	------

Notes:

[Agrotron M 610 -> 20001]

1	0.012.1441.3/10	1	support
3	0.012.1890.0	1	gasket
4	04422723	0.15	band
5	2.0112.220.2	2	screw m 8 p.1.25x55
6	2.1310.004.2	4	flat washer 8.5
7	2.1011.105.2	2	nut m 8 p.1.25
8	2.0332.204.2	2	screw m 4x0.7x12
9	2.1310.028.2	2	flat washer 4



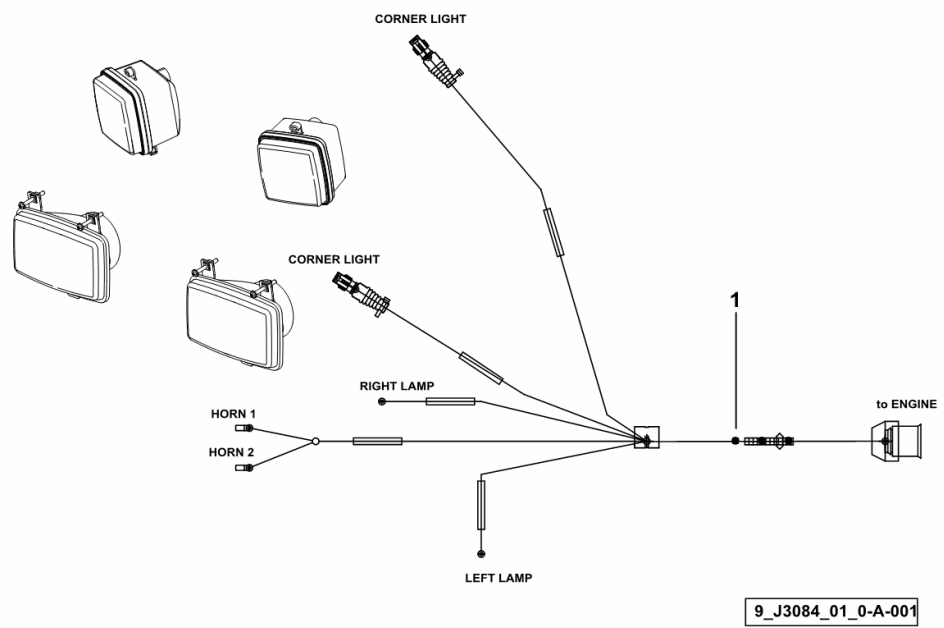
9_94676_60_0-A-001

HEADLIGHTS / HORN WIRING

Fig.	Code	QTY	Name
------	------	-----	------

Notes:
[Agrotron M 610 -> 20001]

1	0.015.7501.4	1	cable harness
---	--------------	---	---------------

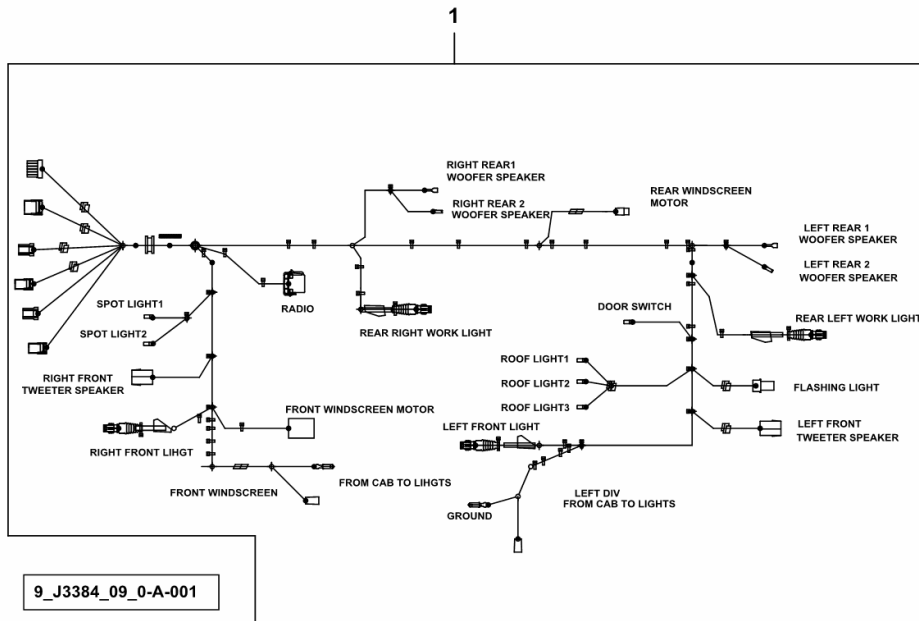


Section: L0 - ELECTRIC AL SYSTEM
ELECTRIC WIRING UNDER ROOF

Fig.	Code	QTY	Name
------	------	-----	------

Notes:
 [Agrotron M 610 -> 20001]

1	0.015.0713.4/30	1	electrical system
---	-----------------	---	-------------------



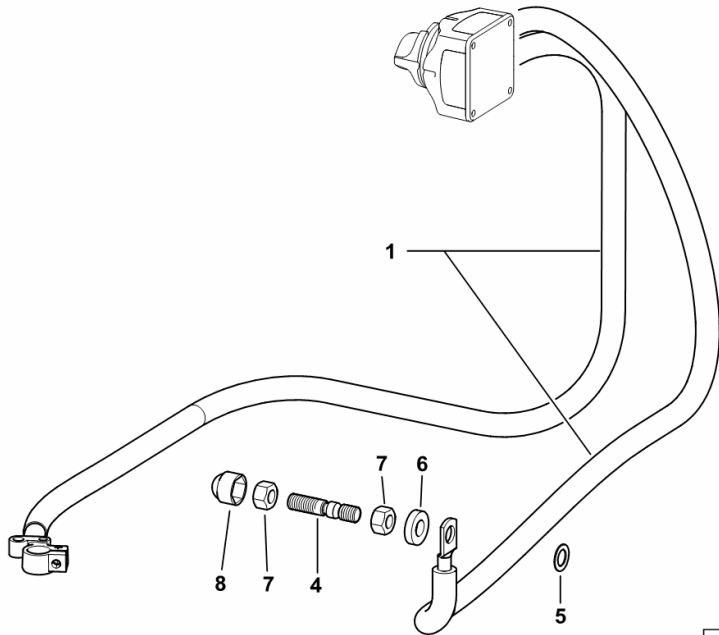
BATTERY LEADS

Fig.	Code	QTY	Name
------	------	-----	------

Notes:

[Agrotron M 610 -> 20001] -> 20145

1	0.018.0281.4	1	wire (-)
4	2.0422.411.2	1	stud bolt m 12 x 40
5	2.1470.007.2	1	lock washer 12
6	01174738	1	flat washer 12.5x26x6
7	2.1011.107.2	2	nut m 12 p.1.75
8	01174048	1	nut m 12 p.1,75



9_L0284_18_0-B-001

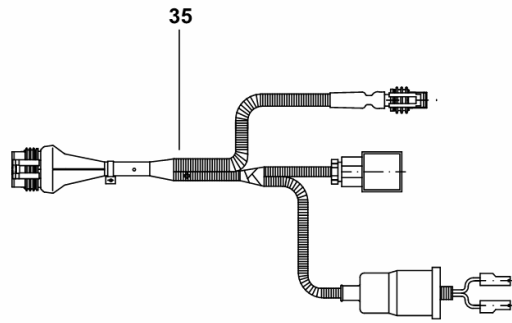
WIRING HARNESS FOR HYDRAULIC TRAILER BRAKING - ITALY VERSION

Fig.	Code	QTY	Name
------	------	-----	------

Notes:

- FOR TYPES WITH PNEUMATIC BRAKE [Agrotron M 610 -> 20001]

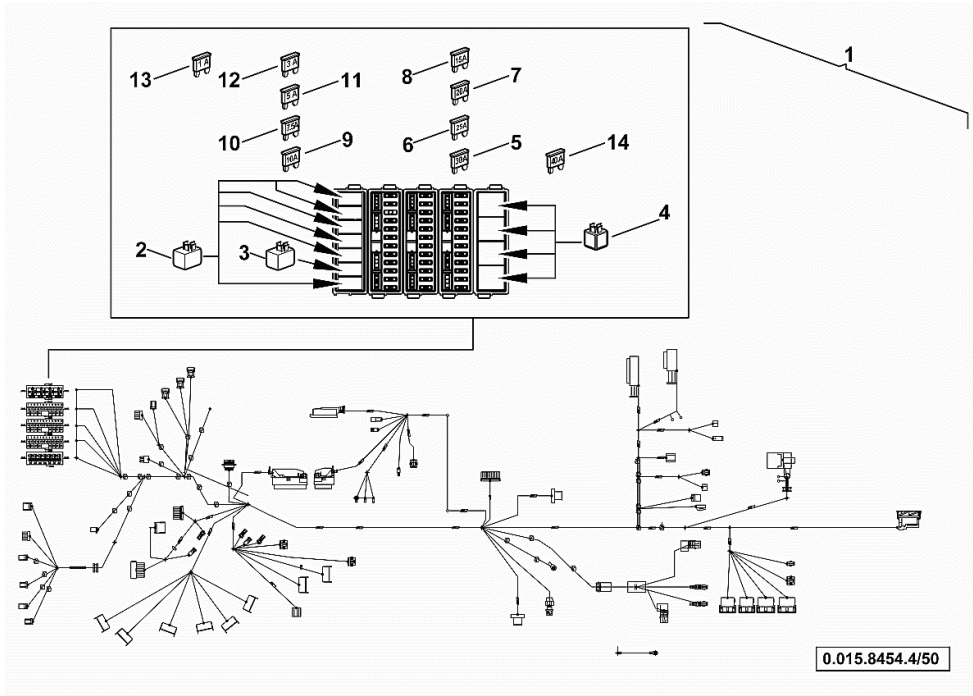
35	04437356.4/10	1	electrical system
----	---------------	---	-------------------



9_J6689_11_0-B-001

RIGHT-HAND CONSOLE ELECTRICAL SYSTEM

Fig.	Code	QTY	Name
1	0.015.8454.4/50	1	electrical system
2	0.900.1289.0	6	relay 12V-30A
3	0.900.1289.1	1	relay 15A . 20A
4	0.900.1289.2	4	relay 12V-30A
5	0.010.2088.2	4	fuse 30 A unival
6	0.900.0903.9	1	fuse 25 A unival
7	0.010.2088.1	4	fuse 20 A unival
8	0.010.2088.0	15	fuse 15 A unival
9	0.010.2087.2	2	fuse 10 A unival
10	0.010.2225.2	8	fuse 7.5 A unival
11	0.010.2225.1	4	fuse 5 A unival
12	0.900.0859.5	6	fuse 3 A unival
13	0.900.0399.2	2	fuse 1 A unival
14	0.010.2523.0	2	fuse 40 A unival

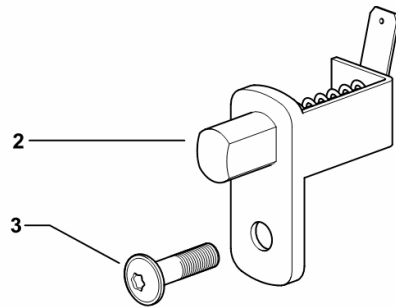


DOOR SWITCH

Fig.	Code	QTY	Name
------	------	-----	------

Notes:
[Agrotron M 610 -> 20001]

2	04414097	1	switch
3	04412976	1	screw 4.8x19



9_J3384_09_0-B-001

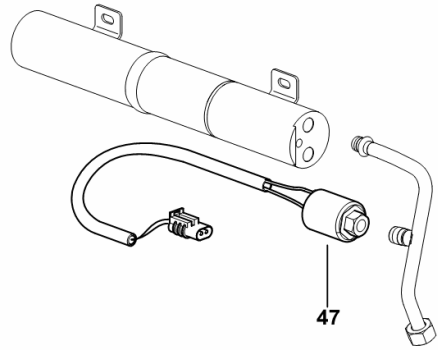
AIR CONDITIONING SYSTEM CONDENSER PRESSURE SWITCH

Fig.	Code	QTY	Name
------	------	-----	------

Notes:

[Agrotron M 610 -> 20001] -> 20120

47	04426492/10	1	pressure switch
----	-------------	---	-----------------



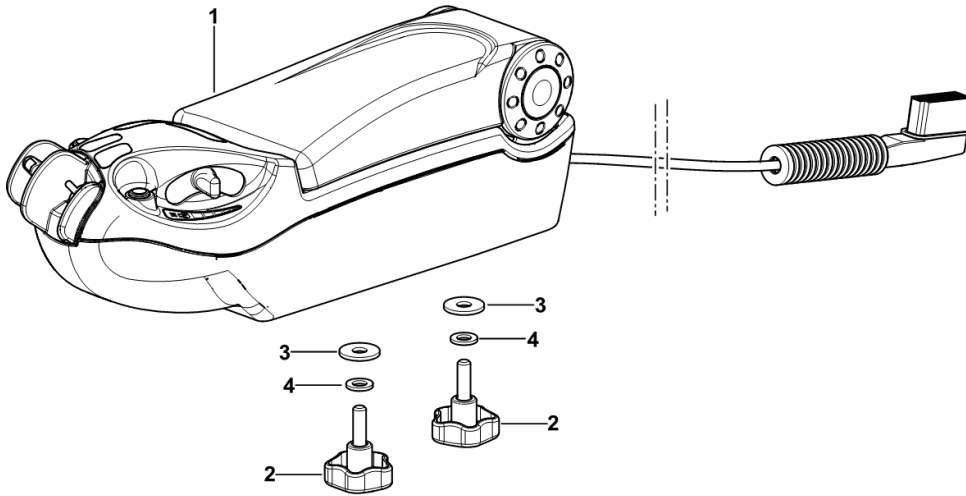
9_J6386_22_0-D-002

MULTIFUNCTION ARMREST

Fig.	Code	QTY	Name
------	------	-----	------

Notes:
[Agrotron M 610 -> 20001]

1	0.015.1776.4/70	1	small arm ☞ 0.015.1776.4/70
2	0.013.9152.0	2	knob m 10
3	2.1312.005.2	2	washer 10.2
4	2.1475.103.2	2	washer 10.5



9_F5384_15_0-A-001

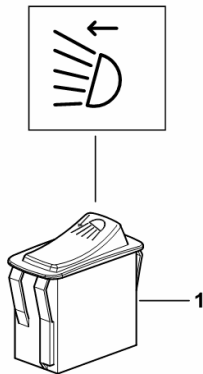
BOTTOM FRONT WORK LIGHTS SWITCH XENON

Fig.	Code	QTY	Name
------	------	-----	------

Notes:

WITH XENON LIGHTS [Agrotron M 610 -> 20001]

1	0.012.5942.4	1	switch
---	--------------	---	--------



9_J3384_42_0-C-001

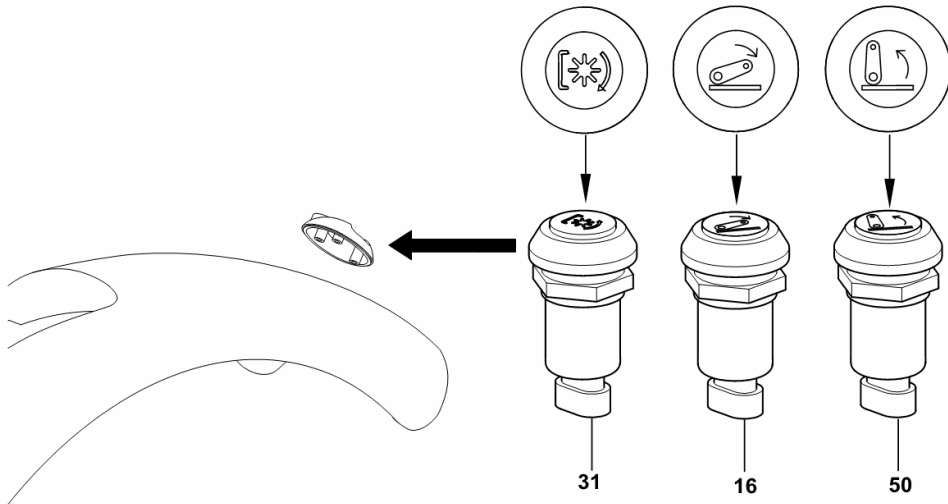
SWITCHES FOR REAR LIFT GROUND CONTROL AND PTO

Fig.	Code	QTY	Name
------	------	-----	------

Notes:

- FOR TYPES WITH FENDER EXTENSIONS [Agrotron M 610 -> 20001] -> 20192

16	2.7659.347.0	2	push-button
31	2.7659.350.0	1	switch P.T.O.
50	2.7659.348.0	2	push-button



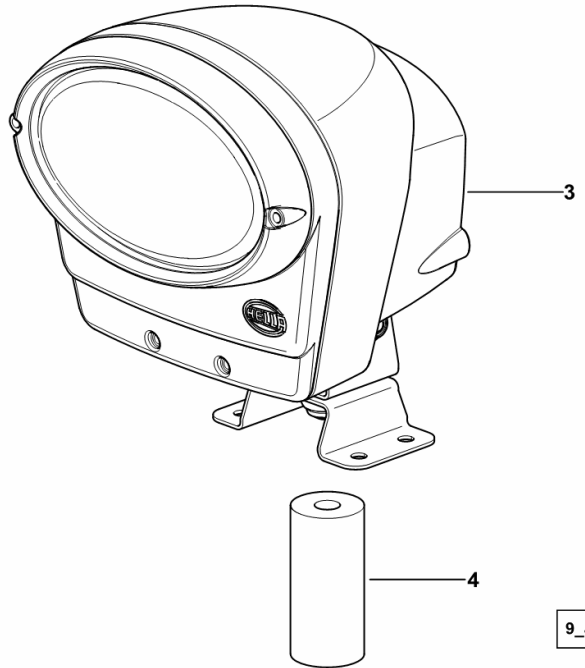
9_95376_20_0-B-002

BOTTOM FRONT WORK LIGHTS XENON

Fig.	Code	QTY	Name
------	------	-----	------

Notes:
WITH XENON LIGHTS [Agrotron M 610 -> 20001]

3	2.8039.016.0	2	headlight ☞ 2.8039.016.0
4	04416732	1	spacer



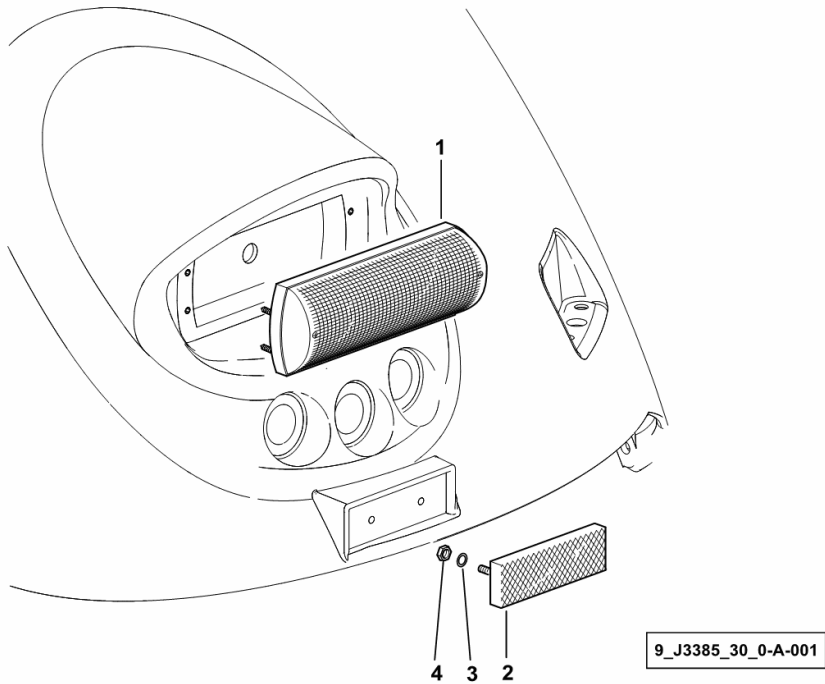
REAR LIGHTS / REFLECTORS

Fig.	Code	QTY	Name
------	------	-----	------

Notes:

- WITHOUT EXTENSIONS FOR FENDERS [Agrotron M 610 -> 20001]

1	2.8029.880.0/10	2	side lamp ☞ 2.8029.880.0/10
2	2.8349.012.0	2	reflector
3	2.1310.001.2	4	flat washer 5.3
4	2.1011.102.2	4	nut m 5 p.0.7



HEADLAMP COMPONENTS

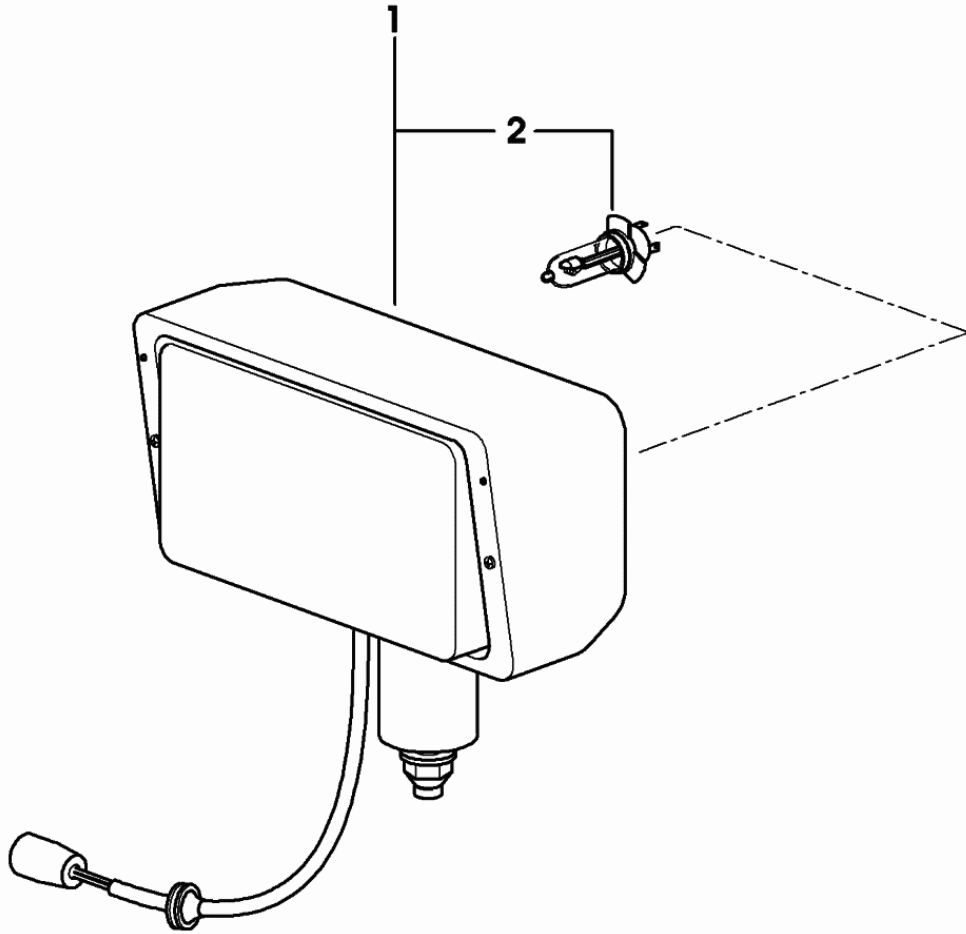
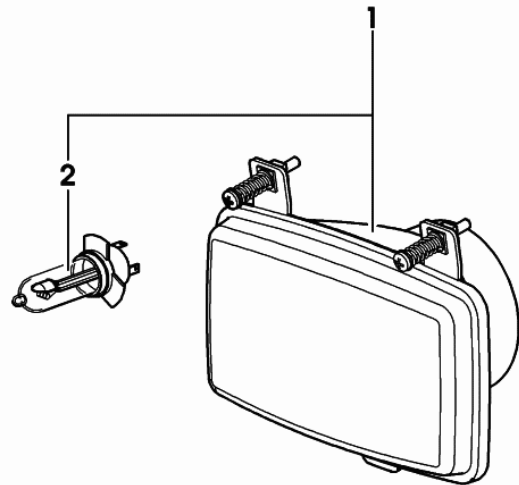


Fig.	Code	QTY	Name
1	04414087.4	1	lamp
2	0.900.0062.8	1	lamp H4 12V 60/55W

04414087_4

FRONT LIGHTS

Fig.	Code	QTY	Name
1	2.8039.240.0	1	headlight
2	0.010.2251.0	1	lamp 60/55W - HALOGEN -



2_8039_240_0

CLICK HERE TO **DOWNLOAD** THE COMPLETE MANUAL

- Thank you very much for reading the preview of the manual.
- You can download the complete manual from: www.heydownloads.com by clicking the link below



- Please note: If there is no response to CLICKING the link, please download this PDF first and then click on it.

CLICK HERE TO **DOWNLOAD** THE COMPLETE MANUAL

FASTENINGS

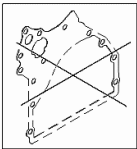
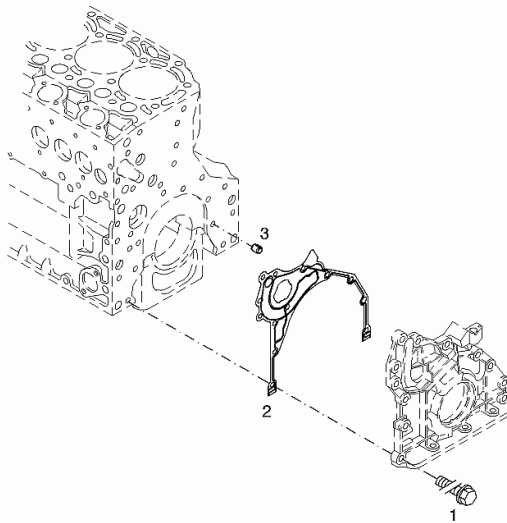
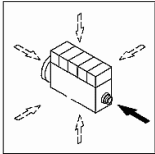
Fig.	Code	QTY	Name
------	------	-----	------

Engine Serial Numbers:

10813796 10813797 10813798 10813799 10813800 10813801 10819704 10819705 10819706 10819707 10819708
 10819709 10819710 10819711 10819712 10819713 10819714 10822301 10823598 10823599 10823600 10823601
 10823602 10823603 10823604 10824960 10824961 10826626 10826627 10826628 10826629 10826630 10826631
 10826632 10828674 10828675 10828676 10828677 10828678 10828679 10833557 10833558 10833559 10833560
 10833561 10833562 10833564 10833565 10833566 10833567 10834530 10834531 10834532 10834534 10834535
 10834536 10834537 10834538 10834539 10834540 10834541 10834542 10834543 10834544 10834545 10834546
 10834547 10834548 10843223 10843224 10843225 10843226 10843227 10843228 10843229 10843230 10843231
 10843233 10843234 10843235 10843236 10843237 10843238 10843239 10843240 10843241 10843242 10843244
 10844591 10844592 10844593 10844594 10844595 10844596 10844597 10844599 10844600 10844601 10844602
 10844603 10844604 10847089 10847627 10847628 10847629 10848295 10848296 10848297 10848298 10848299
 10848300 10857643 10857644 10857645 10860684 10860685 10860686 10861335 10861336 10861337 10861338
 10861340 10861341 10861750 10863396 10863397 10875835 10875836 10875837 10877394 10877396 10889171
 10889173 10889174 10889175 10889176 10889177 10892918 10892920 10892923 10892924 10906429 10906431
 10914556 10921781 10921784 10926963 10926964 10926965 10927397 10927398 10927400 10927401 10927402
 10927938 10927939 10928552 10928554 10928555 10957396 10957398 10957927 10960852 10964804 10964805
 10964806 10964807 10965078 10965080 10968505 10968506 10968507 10973244 10974162 10979916 10979917
 10979918 10979919 10983299 10983300 10983301 10983302 10984638 10987801 10987802 10993124 10994412
 10997772

003 ©

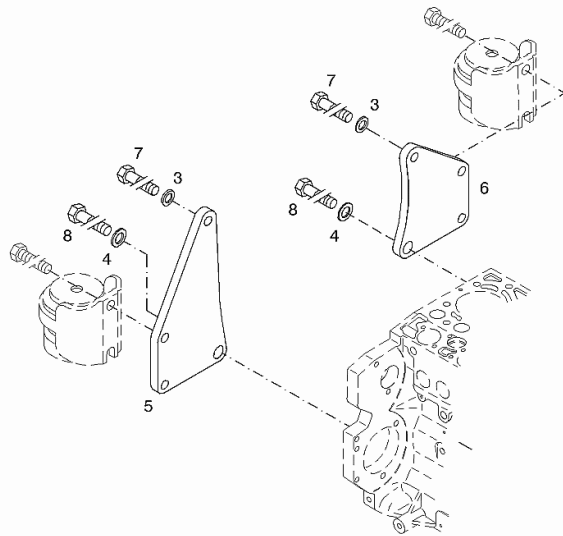
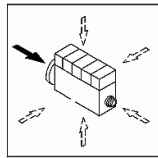
1	01143362	12	screw 5 Nm, 21 Nm refer to service centre manual EN 1662 -F-M8X35-10.9-A4C
2	04504325	1	gasket
3	01181406	1	bushing H 2341 -B11X8-FE/ZN12C*



ACCESSORIES

Fig.	Code	QTY	Name
------	------	-----	------

- FROM MONTH OF ASSEMBLY
 SEE POS. (B) - UP TO MONTH OF
 ASSEMBLY (A) FROM MONTH OF
 ASSEMBLY A = 07.2009 B= Pos.8
 H 2032 -HBM16X75-10.9-GESCHW



003 ©

ACCESSORIES

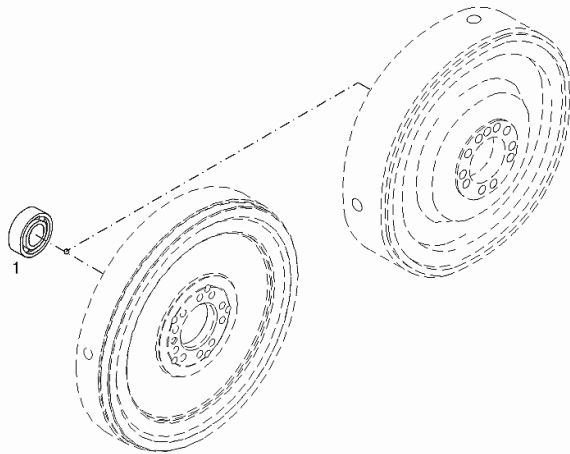
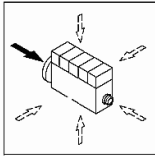
Fig.	Code	QTY	Name
------	------	-----	------

Engine Serial Numbers:

10813796 10813797 10813798 10813799 10813800 10813801 10819704 10819705 10819706 10819707 10819708
 10819709 10819710 10819711 10819712 10819713 10819714 10822301 10823598 10823599 10823600 10823601
 10823602 10823603 10823604 10824960 10824961 10826626 10826627 10826628 10826629 10826630 10826631
 10826632 10828674 10828675 10828676 10828677 10828678 10828679 10833557 10833558 10833559 10833560
 10833561 10833562 10833564 10833565 10833566 10833567 10834530 10834531 10834532 10834534 10834535
 10834536 10834537 10834538 10834539 10834540 10834541 10834542 10834543 10834544 10834545 10834546
 10834547 10834548 10843223 10843224 10843225 10843226 10843227 10843228 10843229 10843230 10843231
 10843233 10843234 10843235 10843236 10843237 10843238 10843239 10843240 10843241 10843242 10843244
 10844591 10844592 10844593 10844594 10844595 10844596 10844597 10844599 10844600 10844601 10844602
 10844603 10844604 10847089 10847627 10847628 10847629 10848295 10848296 10848297 10848298 10848299
 10848300 10857643 10857644 10857645 10860684 10860685 10860686 10861335 10861336 10861337 10861338
 10861340 10861341 10861750 10863396 10863397 10875835 10875836 10875837 10877394 10877396 10889171
 10889173 10889174 10889175 10889176 10889177 10892918 10892920 10892923 10892924 10906429 10906431
 10914556 10921781 10921784 10926963 10926964 10926965 10927397 10927398 10927400 10927401 10927402
 10927938 10927939 10928552 10928554 10928555 10957396 10957398 10957927 10960852 10964804 10964805
 10964806 10964807 10965078 10965080 10968505 10968506 10968507 10973244 10974162 10979916 10979917
 10979918 10979919 10983299 10983300 10983301 10983302 10984638 10987801 10987802 10993124 10994412
 10997772

001 ©

1	01136432	1	ball bearing DIN 625 -6304-2RS1
---	----------	---	------------------------------------



Section: B0 - ENGINE
VALVE DRIVE

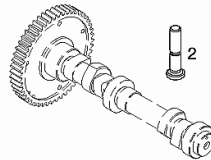
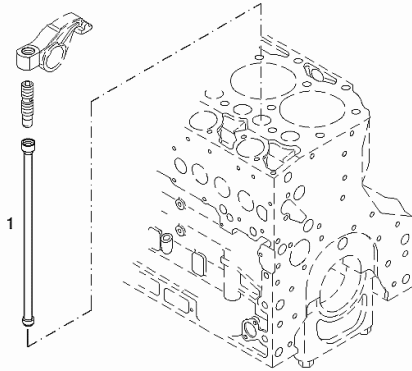
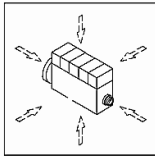
Fig.	Code	QTY	Name
------	------	-----	------

Engine Serial Numbers:

10813796 10813797 10813798 10813799 10813800 10813801 10819704 10819705 10819706 10819707 10819708
 10819709 10819710 10819711 10819712 10819713 10819714 10822301 10823598 10823599 10823600 10823601
 10823602 10823603 10823604 10824960 10824961 10826626 10826627 10826628 10826629 10826630 10826631
 10826632 10828674 10828675 10828676 10828677 10828678 10828679 10833557 10833558 10833559 10833560
 10833561 10833562 10833564 10833565 10833566 10833567 10834530 10834531 10834532 10834534 10834535
 10834536 10834537 10834538 10834539 10834540 10834541 10834542 10834543 10834544 10834545 10834546
 10834547 10834548 10843223 10843224 10843225 10843226 10843227 10843228 10843229 10843230 10843231
 10843233 10843234 10843235 10843236 10843237 10843238 10843239 10843240 10843241 10843242 10843244
 10844591 10844592 10844593 10844594 10844595 10844596 10844597 10844599 10844600 10844601 10844602
 10844603 10844604 10847089 10847627 10847628 10847629 10848295 10848296 10848297 10848298 10848299
 10848300 10857643 10857644 10857645 10860684 10860685 10860686 10861335 10861336 10861337 10861338
 10861340 10861341 10861750 10863396 10863397 10875835 10875836 10875837 10877394 10877396 10889171
 10889173 10889174 10889175 10889176 10889177 10892918 10892920 10892923 10892924 10906429 10906431
 10914556 10921781 10921784 10926963 10926964 10926965 10927397 10927398 10927400 10927401 10927402
 10927938 10927939 10928552 10928554 10928555 10957396 10957398 10957927 10960852 10964804 10964805
 10964806 10964807 10965078 10965080 10968505 10968506 10968507 10973244 10974162 10979916 10979917
 10979918 10979919 10983299 10983300 10983301 10983302 10984638 10987801 10987802 10993124 10994412
 10997772

000 ©

1	04206377	1	rod
2	04284765	1	cap



Section: B0 - ENGINE
OIL SUCTION PIPE

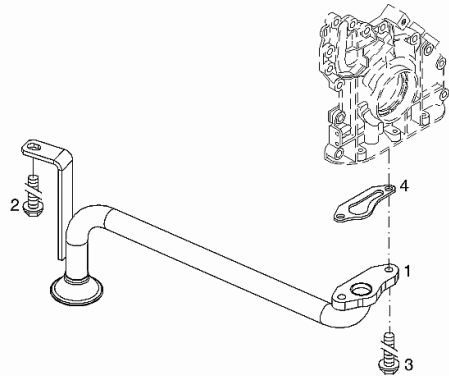
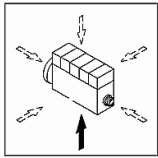
Fig.	Code	QTY	Name
------	------	-----	------

Engine Serial Numbers:

10813796 10813797 10813798 10813799 10813800 10813801 10819704 10819705 10819706 10819707 10819708
 10819709 10819710 10819711 10819712 10819713 10819714 10822301 10823598 10823599 10823600 10823601
 10823602 10823603 10823604 10824960 10824961 10826626 10826627 10826628 10826629 10826630 10826631
 10826632 10828674 10828675 10828676 10828677 10828678 10828679 10833557 10833558 10833559 10833560
 10833561 10833562 10833564 10833565 10833566 10833567 10834530 10834531 10834532 10834534 10834535
 10834536 10834537 10834538 10834539 10834540 10834541 10834542 10834543 10834544 10834545 10834546
 10834547 10834548 10843223 10843224 10843225 10843226 10843227 10843228 10843229 10843230 10843231
 10843233 10843234 10843235 10843236 10843237 10843238 10843239 10843240 10843241 10843242 10843244
 10844591 10844592 10844593 10844594 10844595 10844596 10844597 10844599 10844600 10844601 10844602
 10844603 10844604 10847089 10847627 10847628 10847629 10848295 10848296 10848297 10848298 10848299
 10848300 10857643 10857644 10857645 10860684 10860685 10860686 10861335 10861336 10861337 10861338
 10861340 10861341 10861750 10863396 10863397 10875835 10875836 10875837 10877394 10877396 10889171
 10889173 10889174 10889175 10889176 10889177 10892918 10892920 10892923 10892924 10906429 10906431
 10914556 10921781 10921784 10926963 10926964 10926965 10927397 10927398 10927400 10927401 10927402
 10927938 10927939 10928552 10928554 10928555 10957396 10957398 10957927 10960852 10964804 10964805
 10964806 10964807 10965078 10965080 10968505 10968506 10968507 10973244 10974162 10979916 10979917
 10979918 10979919 10983299 10983300 10983301 10983302 10984638 10987801 10987802 10993124 10994412
 10997772

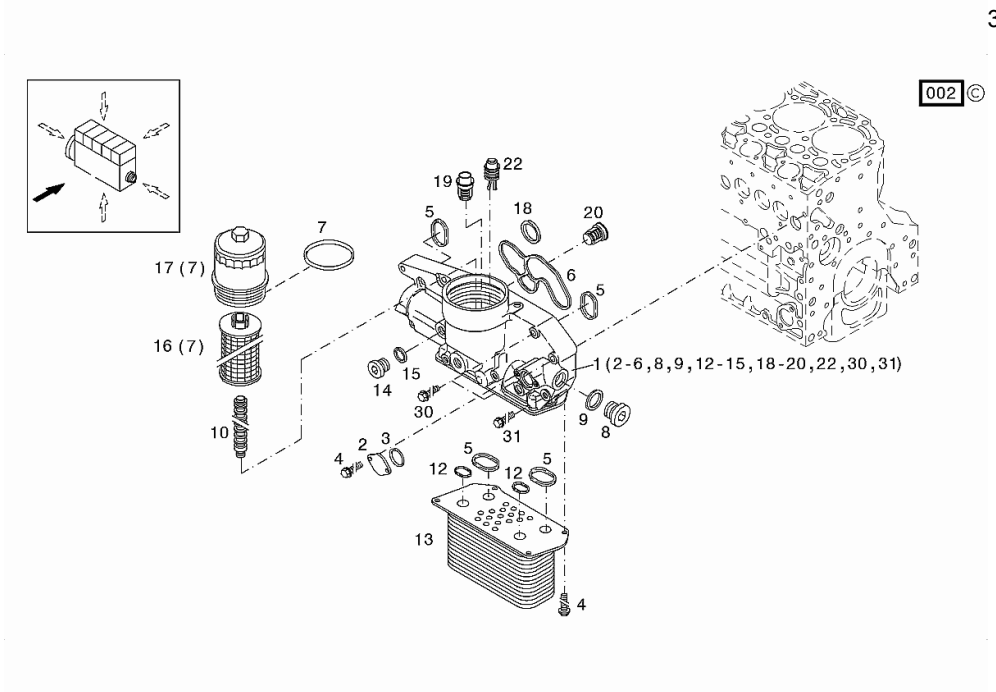
000 ©

1	04298468	1	tube
2	01181436	1	screw
			for tightening specifications, see the service centre manual
			EN 1662 -F-M8X16-LG2,5-10.9-ZNAL-A
3	01181416	2	screw
			30 Nm
			EN 1662 -F-M8X25-10.9-ZNAL-A
4	04198741	1	gasket



Section: B0 - ENGINE
OIL COOLER BOX

Fig.	Code	QTY	Name
19	04258417	1	valve
20	04254754	1	valve
22	04254751	1	valve
30	01181440	5	screw
			for tightening specifications, see the service centre manual
			EN 1662 -F-M8X40-10.9-ZNAL-A
31	01148415	3	screw
			for tightening specifications, see the service centre manual
			EN 1662 -F-M8X100-10.9-ZNAL-A



Section: B0 - ENGINE
FUEL FEED PUMP

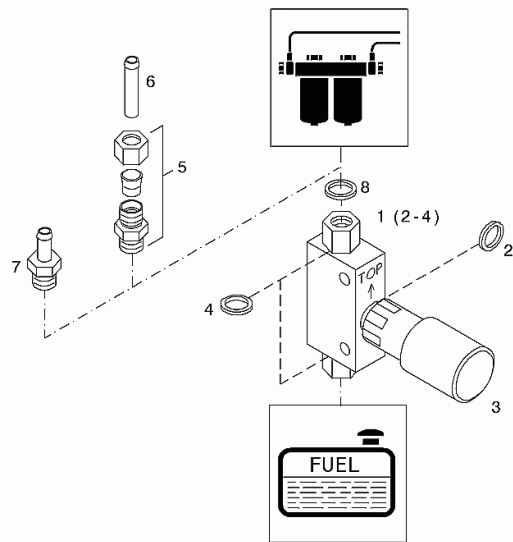


Fig.	Code	QTY	Name
------	------	-----	------

Engine Serial Numbers:

10813796 10813797 10813798 10813799 10813800 10813801 10819704 10819705 10819706 10819707 10819708
 10819709 10819710 10819711 10819712 10819713 10819714 10822301 10823598 10823599 10823600 10823601
 10823602 10823603 10823604 10824960 10824961 10826626 10826627 10826628 10826629 10826630 10826631
 10826632 10828674 10828675 10828676 10828677 10828678 10828679 10833557 10833558 10833559 10833560
 10833561 10833562 10833564 10833565 10833566 10833567 10834530 10834531 10834532 10834534 10834535
 10834536 10834537 10834538 10834539 10834540 10834541 10834542 10834543 10834544 10834545 10834546
 10834547 10834548 10843223 10843224 10843225 10843226 10843227 10843228 10843229 10843230 10843231
 10843233 10843234 10843235 10843236 10843237 10843238 10843239 10843240 10843241 10843242 10843244
 10844591 10844592 10844593 10844594 10844595 10844596 10844597 10844599 10844600 10844601 10844602
 10844603 10844604 10847089 10847627 10847628 10847629 10848295 10848296 10848297 10848298 10848299
 10848300 10857643 10857644 10857645 10860684 10860685 10860686 10861335 10861336 10861337 10861338
 10861340 10861341 10861750 10863396 10863397 10875835 10875836 10875837 10877394 10877396 10889171
 10889173 10889174 10889175 10889176 10889177 10892918 10892920 10892923 10892924 10906429 10906431
 10914556 10921781 10921784 10926963 10926964 10926965 10927397 10927398 10927400 10927401 10927402
 10927938 10927939 10928552 10928554 10928555 10957396 10957398 10957927 10960852 10964804 10964805
 10964806 10964807 10965078 10965080 10968505 10968506 10968507 10973244 10974162 10979916 10979917
 10979918 10979919 10983299 10983300 10983301 10983302 10984638 10987801 10987802 10993124 10994412
 10997772

1	02111961	1	pump WITH POS.... (2-4)
2	01148356	1	'o' ring DIN 7603 -A16X20-ST
3	02111897	1	feed pump
4	01118727	2	'o' ring DIN 7603 -A20X24-CU
5	01319640	1	tongue
6	01319641	1	pipe fitting
7	01319642	1	tongue
8	01118713	1	washer 18.5 DIN 7603 -A18X22-CU

ELECTRONIC CONTROL UNIT - ENGINE

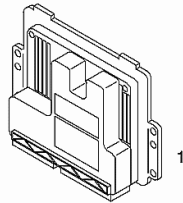
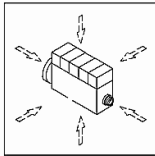
Fig.	Code	QTY	Name
------	------	-----	------

Engine Serial Numbers:

10813796 10813797 10813798 10813799 10813800 10813801 10819704 10819705 10819706 10819707 10819708
 10819709 10819710 10819711 10819712 10819713 10819714 10822301 10823598 10823599 10823600 10823601
 10823602 10823603 10823604 10824960 10824961 10826626 10826627 10826628 10826629 10826630 10826631
 10826632 10828674 10828675 10828676 10828677 10828678 10828679 10833557 10833558 10833559 10833560
 10833561 10833562 10833564 10833565 10833566 10833567 10834530 10834531 10834532 10834534 10834535
 10834536 10834537 10834538 10834539 10834540 10834541 10834542 10834543 10834544 10834545 10834546
 10834547 10834548 10843223 10843224 10843225 10843226 10843227 10843228 10843229 10843230 10843231
 10843233 10843234 10843235 10843236 10843237 10843238 10843239 10843240 10843241 10843242 10843244
 10844591 10844592 10844593 10844594 10844595 10844596 10844597 10844599 10844600 10844601 10844602
 10844603 10844604 10847089 10847627 10847628 10847629 10848295 10848296 10848297 10848298 10848299
 10848300 10857643 10857644 10857645 10860684 10860685 10860686 10861335 10861336 10861337 10861338
 10861340 10861341 10861750 10863396 10863397 10875835 10875836 10875837 10877394 10877396 10889171
 10889173 10889174 10889175 10889176 10889177 10892918 10892920 10892923 10892924 10906429 10906431
 10914556 10921781 10921784 10926963 10926964 10926965 10927397 10927398 10927400 10927401 10927402
 10927938 10927939 10928552 10928554 10928555 10957396 10957398 10957927 10960852 10964804 10964805
 10964806 10964807 10965078 10965080 10968505 10968506 10968507 10973244 10974162 10979916 10979917
 10979918 10979919 10983299 10983300 10983301 10983302 10984638 10987801 10987802 10993124 10994412
 10997772

000 ©

1	02959582	1	central device Control unit with engine specifications (DATA SET) without data set see pos. (950)
950	04214367	1	central device Control appliance without engine specifications WITH DATA SET SEE POSIT. DATE (1)

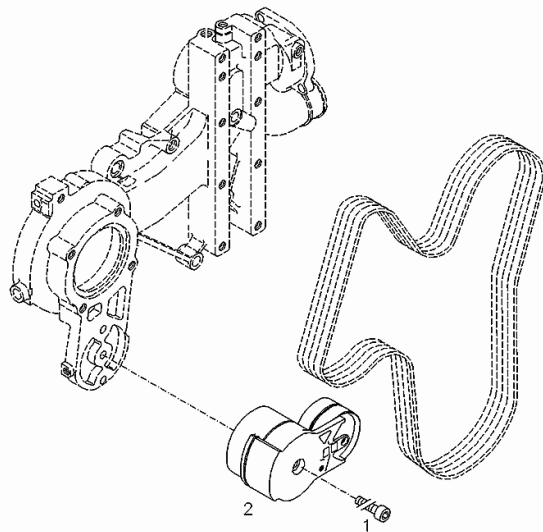
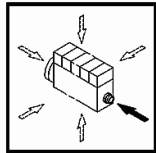


Section: B0 - ENGINE
BELT STRETCHER

Fig.	Code	QTY	Name
------	------	-----	------

Engine Serial Numbers:

10813796 10813797 10813798 10813799 10813800 10813801 10819704 10819705 10819706 10819707 10819708
 10819709 10819710 10819711 10819712 10819713 10819714 10822301 10823598 10823599 10823600 10823601
 10823602 10823603 10823604 10824960 10824961 10826626 10826627 10826628 10826629 10826630 10826631
 10826632 10828674 10828675 10828676 10828677 10828678 10828679 10833557 10833558 10833559 10833560
 10833561 10833562 10833564 10833565 10833566 10833567 10834530 10834531 10834532 10834534 10834535
 10834536 10834537 10834538 10834539 10834540 10834541 10834542 10834543 10834544 10834545 10834546
 10834547 10834548 10843223 10843224 10843225 10843226 10843227 10843228 10843229 10843230 10843231
 10843233 10843234 10843235 10843236 10843237 10843238 10843239 10843240 10843241 10843242 10843244
 10844591 10844592 10844593 10844594 10844595 10844596 10844597 10844599 10844600 10844601 10844602
 10844603 10844604 10847089 10847627 10847628 10847629 10848295 10848296 10848297 10848298 10848299
 10848300 10857643 10857644 10857645 10860684 10860685 10860686 10861335 10861336 10861337 10861338
 10861340 10861341 10861750 10863396 10863397 10875835 10875836 10875837 10877394 10877396 10889171
 10889173 10889174 10889175 10889176 10889177 10892918 10892920 10892923 10892924 10906429 10906431
 10914556 10921781 10921784 10926963 10926964 10926965 10927397 10927398 10927400 10927401 10927402
 10927938 10927939 10928552 10928554 10928555 10957396 10957398 10957927 10960852 10964804 10964805
 10964806 10964807 10965078 10965080 10968505 10968506 10968507 10973244 10974162 10979916 10979917
 10979918 10979919 10983299 10983300 10983301 10983302 10984638 10987801 10987802 10993124 10994412
 10997772



000 ©

1	01148366	1	screw ISO 4762 -M12X90-10.9-ZNAL-A
2	04504262	1	tensioner

0507 8810

GLOW PLUG

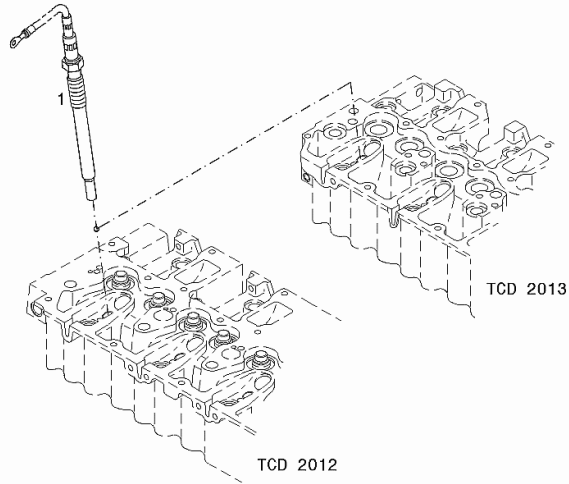
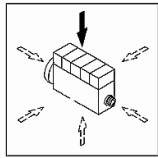
Fig.	Code	QTY	Name
------	------	-----	------

Engine Serial Numbers:

10813796 10813797 10813798 10813799 10813800 10813801 10819704 10819705 10819706 10819707 10819708
 10819709 10819710 10819711 10819712 10819713 10819714 10822301 10823598 10823599 10823600 10823601
 10823602 10823603 10823604 10824960 10824961 10826626 10826627 10826628 10826629 10826630 10826631
 10826632 10828674 10828675 10828676 10828677 10828678 10828679 10833557 10833558 10833559 10833560
 10833561 10833562 10833564 10833565 10833566 10833567 10834530 10834531 10834532 10834534 10834535
 10834536 10834537 10834538 10834539 10834540 10834541 10834542 10834543 10834544 10834545 10834546
 10834547 10834548 10843223 10843224 10843225 10843226 10843227 10843228 10843229 10843230 10843231
 10843233 10843234 10843235 10843236 10843237 10843238 10843239 10843240 10843241 10843242 10843244
 10844591 10844592 10844593 10844594 10844595 10844596 10844597 10844599 10844600 10844601 10844602
 10844603 10844604 10847089 10847627 10847628 10847629 10848295 10848296 10848297 10848298 10848299
 10848300 10857643 10857644 10857645 10860684 10860685 10860686 10861335 10861336 10861337 10861338
 10861340 10861341 10861750 10863396 10863397 10875835 10875836 10875837 10877394 10877396 10889171
 10889173 10889174 10889175 10889176 10889177 10892918 10892920 10892923 10892924 10906429 10906431
 10914556 10921781 10921784 10926963 10926964 10926965 10927397 10927398 10927400 10927401 10927402
 10927938 10927939 10928552 10928554 10928555 10957396 10957398 10957927 10960852 10964804 10964805
 10964806 10964807 10965078 10965080 10968505 10968506 10968507 10973244 10974162 10979916 10979917
 10979918 10979919 10983299 10983300 10983301 10983302 10984638 10987801 10987802 10993124 10994412
 10997772

000 ©

1	01183247	1	glow plug H 824606- SG11VLKOE12X1,25*SCHUTZSCHL.
---	----------	---	--



Section: B0 - ENGINE
ENGINE ELECTRICAL SYSTEM

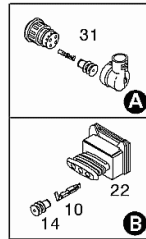
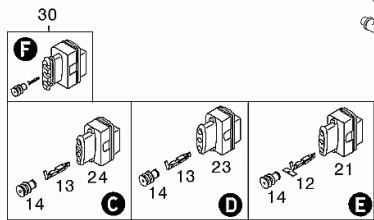
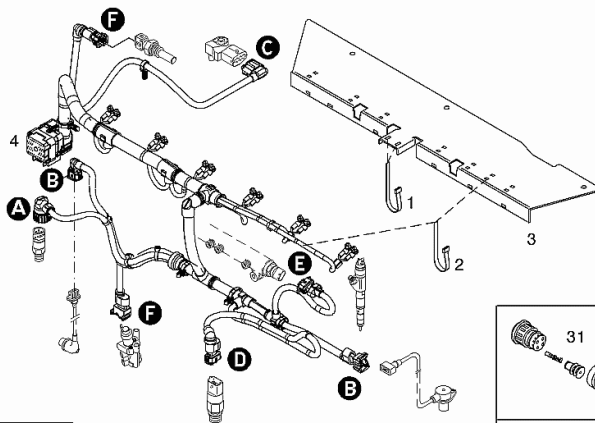
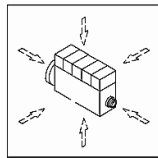
Fig.	Code	QTY	Name
------	------	-----	------

Engine Serial Numbers:

10813796 10813797 10813798 10813799 10813800 10813801 10819704 10819705 10819706 10819707 10819708
 10819709 10819710 10819711 10819712 10819713 10819714 10822301 10823598 10823599 10823600 10823601
 10823602 10823603 10823604 10824960 10824961 10826626 10826627 10826628 10826629 10826630 10826631
 10826632 10828674 10828675 10828676 10828677 10828678 10828679 10833557 10833558 10833559 10833560
 10833561 10833562 10833564 10833565 10833566 10833567 10834530 10834531 10834532 10834534 10834535
 10834536 10834537 10834538 10834539 10834540 10834541 10834542 10834543 10834544 10834545 10834546
 10834547 10834548 10843223 10843224 10843225 10843226 10843227 10843228 10843229 10843230 10843231
 10843233 10843234 10843235 10843236 10843237 10843238 10843239 10843240 10843241 10843242 10843244
 10844591 10844592 10844593 10844594 10844595 10844596 10844597 10844599 10844600 10844601 10844602
 10844603 10844604 10847089 10847627 10847628 10847629 10848295 10848296 10848297 10848298 10848299
 10848300 10857643 10857644 10857645 10860684 10860685 10860686 10861335 10861336 10861337 10861338
 10861340 10861341 10861750 10863396 10863397 10875835 10875836 10875837 10877394 10877396 10889171
 10889173 10889174 10889175 10889176 10889177 10892918 10892920 10892923 10892924 10906429 10906431
 10914556 10921781 10921784 10926963 10926964 10926965 10927397 10927398 10927400 10927401 10927402
 10927938 10927939 10928552 10928554 10928555 10957396 10957398 10957927 10960852 10964804 10964805
 10964806 10964807 10965078 10965080 10968505 10968506 10968507 10973244 10974162 10979916 10979917
 10979918 10979919 10983299 10983300 10983301 10983302 10984638 10987801 10987802 10993124 10994412
 10997772

001 ©

1	01176435	1	clamp H 7672 -P160X4,8
2	01080571	7	band 172X4.6 H 7672 -G172X4,6
3	04294608	1	division
4	04215528	1	electrical system
10	04190848	6	gasket
12	04194991	3	contact
13	04199863	10	contact
14	04190851	17	gasket
21	04194570	1	connection
22	04194629	2	covering
23	04194989	1	connection
24	04194198	1	connection
30	04199973	2	connection
31	04214158	1	socket
50	04213289	12	-



Section: B0 - ENGINE
TEMPER.TRANSITTER

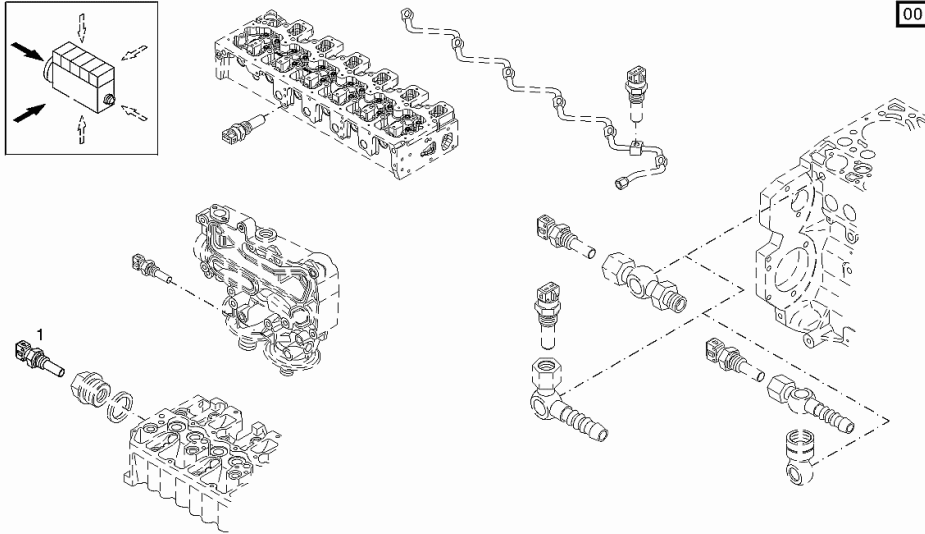
Fig.	Code	QTY	Name
------	------	-----	------

Engine Serial Numbers:

10813796 10813797 10813798 10813799 10813800 10813801 10819704 10819705 10819706 10819707 10819708
 10819709 10819710 10819711 10819712 10819713 10819714 10822301 10823598 10823599 10823600 10823601
 10823602 10823603 10823604 10824960 10824961 10826626 10826627 10826628 10826629 10826630 10826631
 10826632 10828674 10828675 10828676 10828677 10828678 10828679 10833557 10833558 10833559 10833560
 10833561 10833562 10833564 10833565 10833566 10833567 10834530 10834531 10834532 10834534 10834535
 10834536 10834537 10834538 10834539 10834540 10834541 10834542 10834543 10834544 10834545 10834546
 10834547 10834548 10843223 10843224 10843225 10843226 10843227 10843228 10843229 10843230 10843231
 10843233 10843234 10843235 10843236 10843237 10843238 10843239 10843240 10843241 10843242 10843244
 10844591 10844592 10844593 10844594 10844595 10844596 10844597 10844599 10844600 10844601 10844602
 10844603 10844604 10847089 10847627 10847628 10847629 10848295 10848296 10848297 10848298 10848299
 10848300 10857643 10857644 10857645 10860684 10860685 10860686 10861335 10861336 10861337 10861338
 10861340 10861341 10861750 10863396 10863397 10875835 10875836 10875837 10877394 10877396 10889171
 10889173 10889174 10889175 10889176 10889177 10892918 10892920 10892923 10892924 10906429 10906431
 10914556 10921781 10921784 10926963 10926964 10926965 10927397 10927398 10927400 10927401 10927402
 10927938 10927939 10928552 10928554 10928555 10957396 10957398 10957927 10960852 10964804 10964805
 10964806 10964807 10965078 10965080 10968505 10968506 10968507 10973244 10974162 10979916 10979917
 10979918 10979919 10983299 10983300 10983301 10983302 10984638 10987801 10987802 10993124 10994412
 10997772

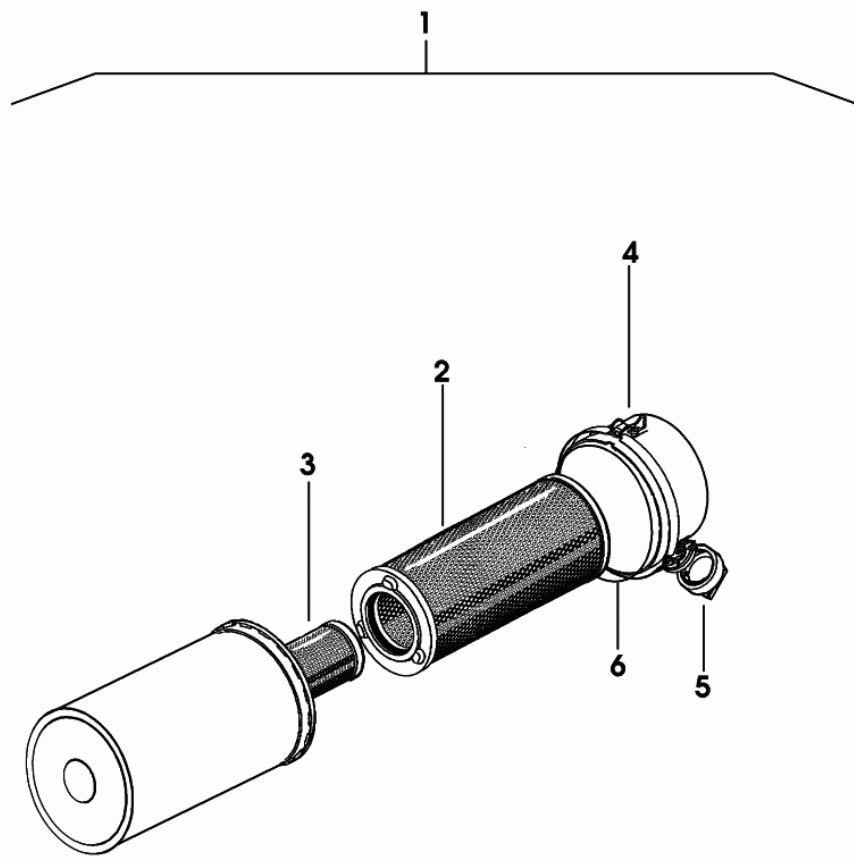
001 ©

1	04213839	1	tempe guage 25 Nm
---	----------	---	----------------------



AIR FILTER

Fig.	Code	QTY	Name
1	0.013.9314.4	1	air filter
2	0.900.0059.1	1	external air filter element
3	0.900.0059.2	1	internal air filter element
4	0.900.0061.1	1	cap
5	0.009.4109.0	1	valve
6	0.900.0530.8	1	gasket



0_013_9314_4

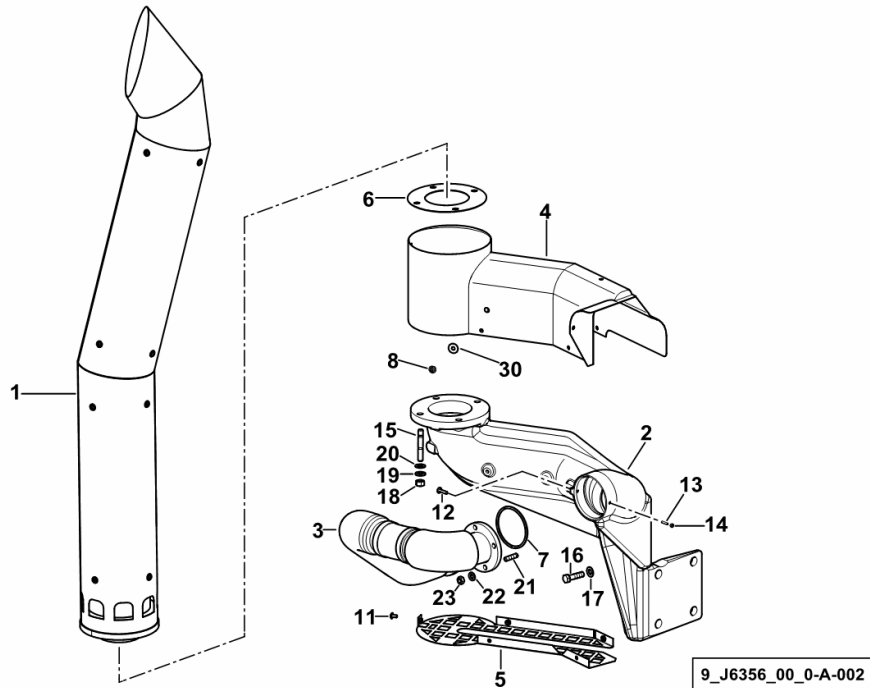
EXHAUST SILENCER

Fig.	Code	QTY	Name
------	------	-----	------

Notes:

[Agrotron M 610 -> 20001]

1	04455380.4/20	1	exhaust silencer
2	0.015.7235.0/50	1	exhaust
3	0.016.1036.2/10	1	tube
4	0.015.7276.3/30	1	guard
5	0.015.7277.3/10	1	guard
6	0.015.7465.0	1	gasket
7	0.011.4890.0	1	circlip
8	2.0339.021.0/10	4	screw m8x12
11	2.0339.020.0/10	5	screw M6x12
12	2.0339.023.0/10	1	screw m 6 x 25
13	2.0522.008.7	1	grain m 5 x 20
14	2.1011.102.2	1	nut m 5 p.0.7
15	2.0422.411.2	4	stud bolt m 12 x 40
16	2.0112.417.2	2	screw m 12 p.1.75 x 45
17	2.1475.004.2	2	washer 12
18	2.1012.107.7	4	nut m 12
19	2.1475.204.6	4	washer 12
20	2.1310.007.2	4	flat washer 13.5
21	2.0422.305.7	4	stud bolt m 10 p. 1.5 x 25
22	2.1475.003.7	4	washer 10.5
23	2.1011.106.2	4	nut m 10 p.1.5
30	2.1399.034.0/10	4	washer 8

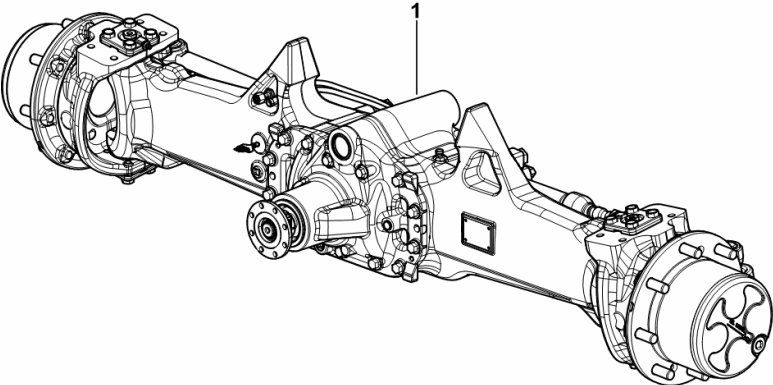


Section: F0 - FRONT AXLE
4WD - FRONT DRIVE AXLE

Fig.	Code	QTY	Name
------	------	-----	------

Notes:
[Agrotron M 610 -> 20001]

1	0.014.0323.4/30	1	complete axle ☞ 0.014.0323.4/30 ☞ 0.014.0323.4/30 ☞ 0.014.0323.4/30 ☞ 0.014.0323.4/30 ☞ 0.014.0323.4/30 ☞ 0.014.0323.4/30 ☞ 0.014.0323.4/30
---	-----------------	---	--

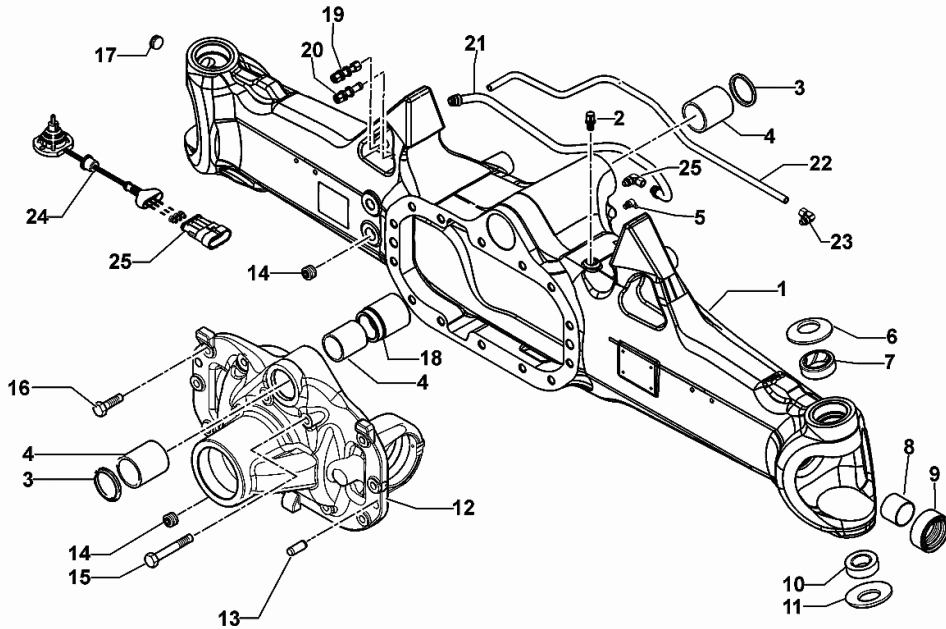


9_D3343_00_0-A-001

DRIVEN FRONT AXLE - [359578]

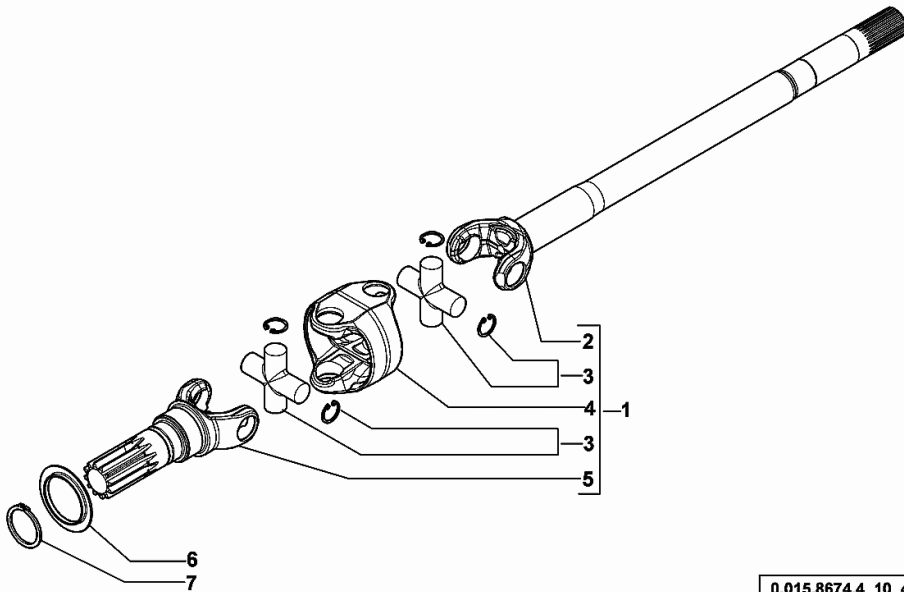
Fig.	Code	QTY	Name
1	0.900.0965.1	1	front axle
2	0.900.0079.8	1	breather m 10 p.1
3	0.900.0079.9	2	circlip
4	0.900.0080.0	3	bushing
5	0.900.0080.1	1	lubricator m 8 p.1, 45°
6	0.900.0080.2	2	spring
7	0.900.0080.3	2	bushing
8	0.900.0080.4	2	bushing
9	0.900.0912.6	2	'o' ring
10	0.900.0080.6	2	bearing
11	0.900.0080.7	2	spring
12	0.900.0960.4	1	support
13	0.900.0081.0	2	pin Ø 15x45
14	0.900.0081.1	2	plug m 24 p.1.5
15	0.900.0081.2	2	screw m 14x75
16	0.900.0081.3	12	screw m14 x 40
17	0.900.0081.6	1	plug m 26 p.1.5
18	0.900.0082.2	1	bushing
19	0.900.0081.7	1	pipe fitting
20	0.900.0081.8	1	pipe fitting
21	0.900.0965.2	1	tube
22	0.900.0965.3	1	tube
23	0.900.0107.0	1	pipe fitting
24	0.900.0504.8	1	sensor kit
25	0.900.0081.5	1	plug

0.014.0329.4_40_0



DOUBLE COUPLING - [370483]

Fig.	Code	QTY	Name
1	0.900.0912.7	1	shaft dx/rh/re COMPLETE (2, 3, 4 & 5)
1	0.900.0912.8	1	shaft sx/lh/li COMPLETE (2, 3, 4 & 5)
2	0.900.0965.4	1	half-shaft dx/rh/re
2	0.900.0965.5	1	half-shaft sx/lh/li
3	0.900.0572.7	4	universal joint
4	0.900.0110.5	2	box
5	0.900.0110.6	2	gear
6	0.900.0090.9	2	cover
7	0.900.0091.0	2	circlip



0.015.8674.4_10_4

4WD - FRONT CARRIER WITH SUSPENSION

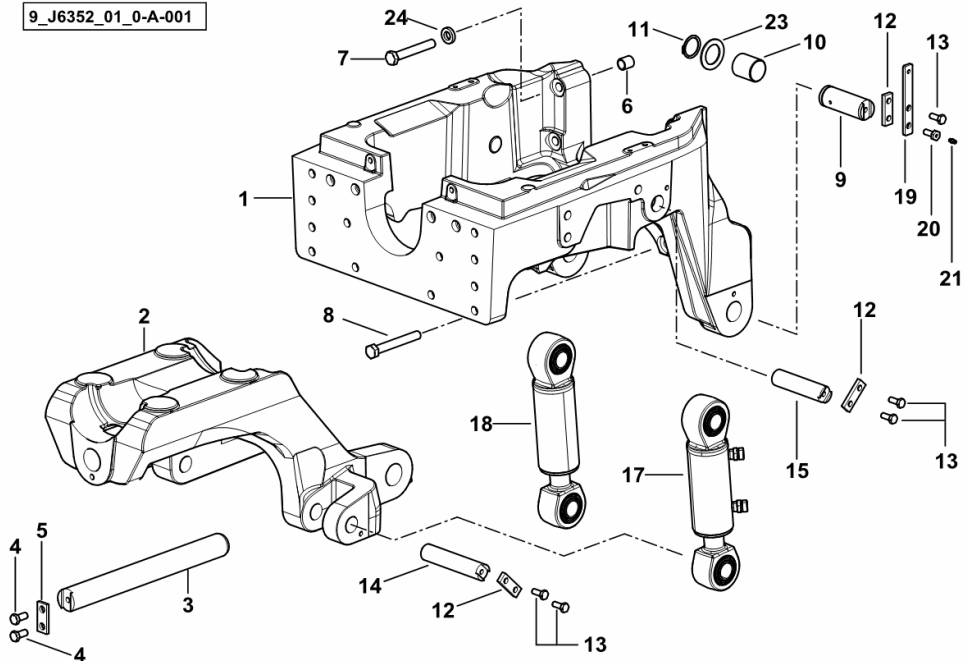
Fig.	Code	QTY	Name
------	------	-----	------

Notes:

[Agrotron M 610 -> 20001]

1	0.016.0971.0	1	support
2	04455624/20	1	support
3	04411024	1	pin
4	2.0114.409.2	2	screw m 12 x 25
5	04411025	1	flange
6	2.2680.047.0	2	ring 17x22x23
7	2.0113.630.2	4	screw m 16x105
8	2.0119.282.6	4	screw m 16 x 120
9	04438671	2	pin
10	04424134/20	2	bushing
11	2.1410.016.7	2	circlip 40x1.75
12	04422768	6	flange
13	2.0114.309.2	10	screw m 10 p 1.25 x 25
14	0.015.3715.0/10	2	pin
15	0.015.3716.0/10	2	pin
17	04455060/10	1	jack
	☞ 04455060/10		
18	04455061/10	1	jack
	☞ 04455061/10		
19	04422860/10	1	small plate
20	04450386/20	2	screw
21	2.3820.101.2	2	lubricator m 6 p.1 x 5
23	04438682	2	ring
24	01174740	4	washer 16.5

9_J6352_01_0-A-001



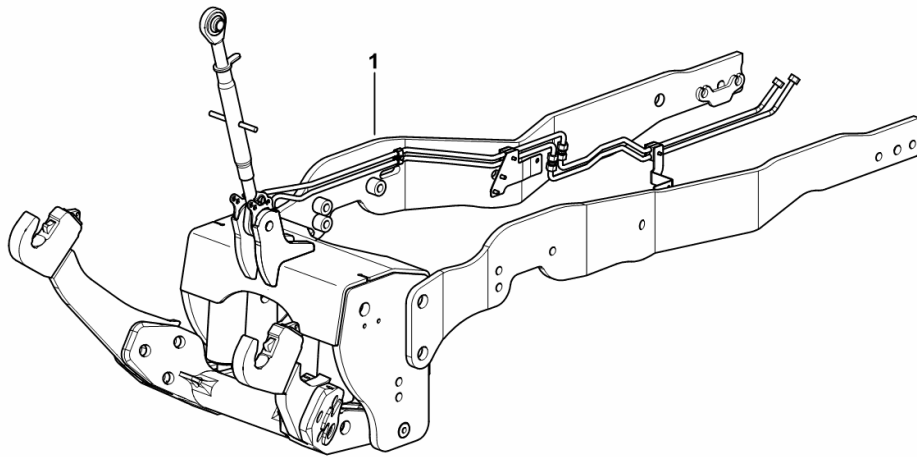
FRONT HYDRAULIC POWER-LIFT

Fig.	Code	QTY	Name
------	------	-----	------

Notes:

[Agrotron M 610 -> 20001] -> 20120

1	04455893.4/10	1	front power-lift ↳ 04455893.4/10 ↳ 04455893.4/10
---	---------------	---	--



9_J6359_80_0-A-002

Agrotron M 610 -> 20001

P0 - FRONT LOADER

STRUCTURE - LETTERING

FIXED FRAME.....	P0.01.0 (1)
INSTALLATION KIT.....	P0.01.1 (1)
FRONT PROTECTIONS.....	P0.01.2 (1)
FRONT LOADER ARM.....	P0.01.3 (1)
FRONT LOADER ARM.....	P0.01.4 (1)
LOCKING SYSTEM.....	P0.01.7 (1)
MECHANICAL IMPLEMENT HITCH EFAM L-35.....	P0.01.8 (1)
MECHANICAL IMPLEMENT HITCH SFAM L-35.....	P0.01.9 (1)
PRODUCT PLATE.....	P0.01.13 (1)
MODEL PLATE.....	P0.01.16 (1)
MODEL PLATE.....	P0.01.18 (1)
MODEL PLATE.....	P0.01.19 (1)
SIGN SET - ITALY.....	P0.01.20 (1)
SIGN SET - EXPORT GB.....	P0.01.21 (1)
SIGN SET EXPORT DK.....	P0.01.22 (1)
SIGN SET EXPORT NL.....	P0.01.23 (1)
SIGN SET - EXPORT F.....	P0.01.24 (1)
SIGN SET - EXPORT D.....	P0.01.25 (1)
SIGN SET - EXPORT E.....	P0.01.26 (1)
SIGN SET EXPORT PL.....	P0.01.27 (1)
INFORMATION PLATE.....	P0.01.28 (1)
WARNING PLATE.....	P0.01.29 (1)
IDENTIFICATION PLATE.....	P0.01.30 (1)
IDENTIFICATION PLATE.....	P0.01.31 (1)
IDENTIFICATION PLATE.....	P0.01.32 (1)
WARNING PLATE.....	P0.01.33 (1)

HYDRAULIC SYSTEM

DISTRIBUTOR.....	P0.02.0 (1)
PIPING LOAD SENSING.....	P0.02.1 (1)
PIPING OPEN CENTER.....	P0.02.2 (1)
PIPING OPEN CENTER.....	P0.02.3 (1)

ELECTRICAL SYSTEM

PROVISION FOR FRONT LOADER.....	P0.03.0 (1)
FRONT LOADER ELECTRICAL SYSTEM.....	P0.03.1 (1)
BRACKET.....	P0.03.2 (1)

LOADER CONTROLS

CONTROL LEVER.....	P0.04.0 (1)
FRONT LOADER CONTROL SUPPORT.....	P0.04.1 (1)
DRIVE.....	0.014.4795.4/20.A

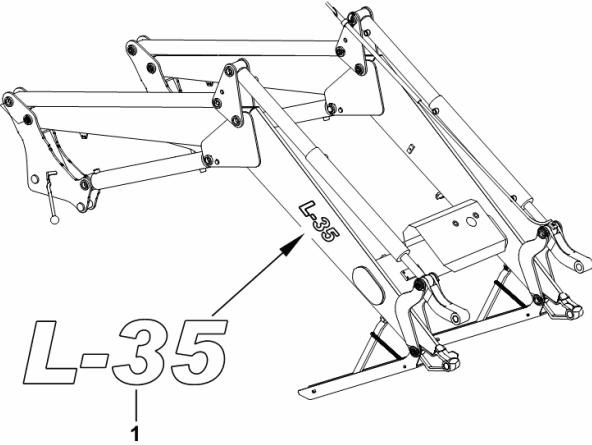
ATTACHMENTS

MODEL PLATE

Fig.	Code	QTY	Name
------	------	-----	------

Notes:
[Agrotron M 610 -> 20001]

1	0.014.5412.0	2	plate
---	--------------	---	-------



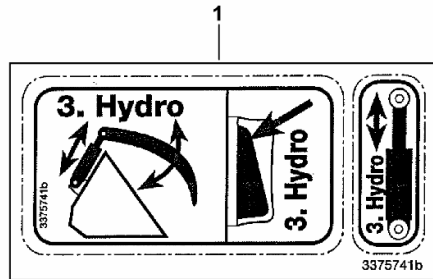
9_F5198_06_0-A-001

INFORMATION PLATE

Fig.	Code	QTY	Name
------	------	-----	------

Notes:
[Agrotron M 610 -> 20001]

1	2.9939.234.0/10	1	plate
---	-----------------	---	-------



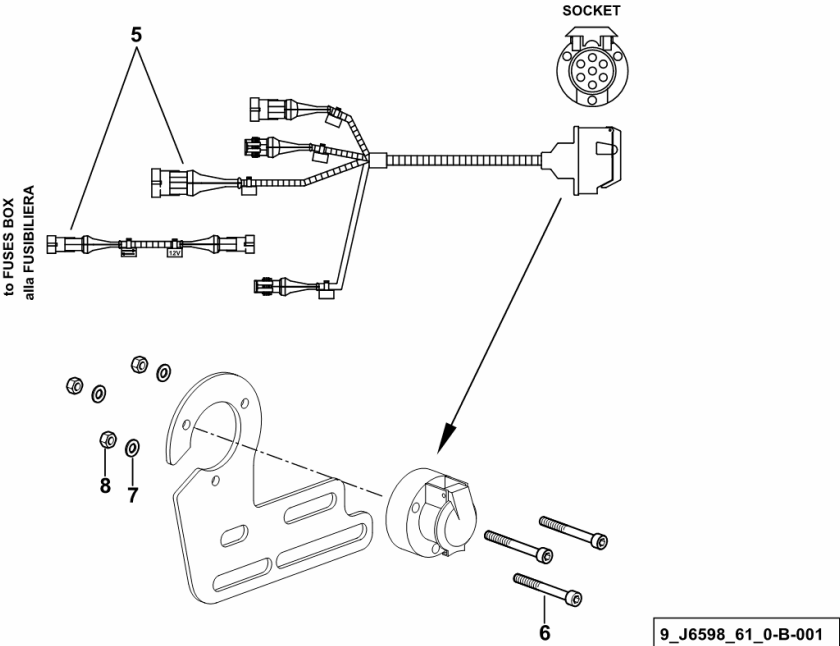
9_G4498_46_0-A-001

FRONT LOADER ELECTRICAL SYSTEM

Fig.	Code	QTY	Name
------	------	-----	------

Notes:
 [Agrotron M 610 -> 20001]

5	0.014.4810.4	1	electrical system
6	2.0312.015.2	3	screw m 5 p.0.8x45
7	2.1310.001.2	3	flat washer 5.3
8	2.1011.102.2	3	nut m 5 p.0.7

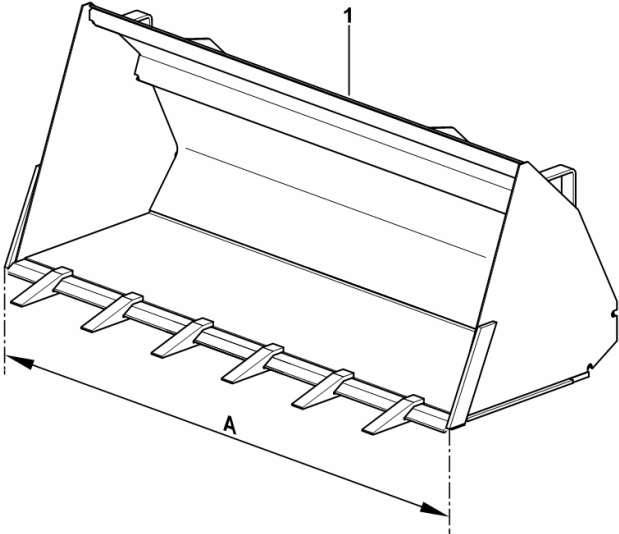


BUCKET EBWT190R

Fig.	Code	QTY	Name
------	------	-----	------

Notes:
[Agrotron M 610 -> 20001]

1	0.016.1639.4	1	bucket EBWT190R - A = mm 1900
---	--------------	---	----------------------------------



9_18698_90_0-A-001

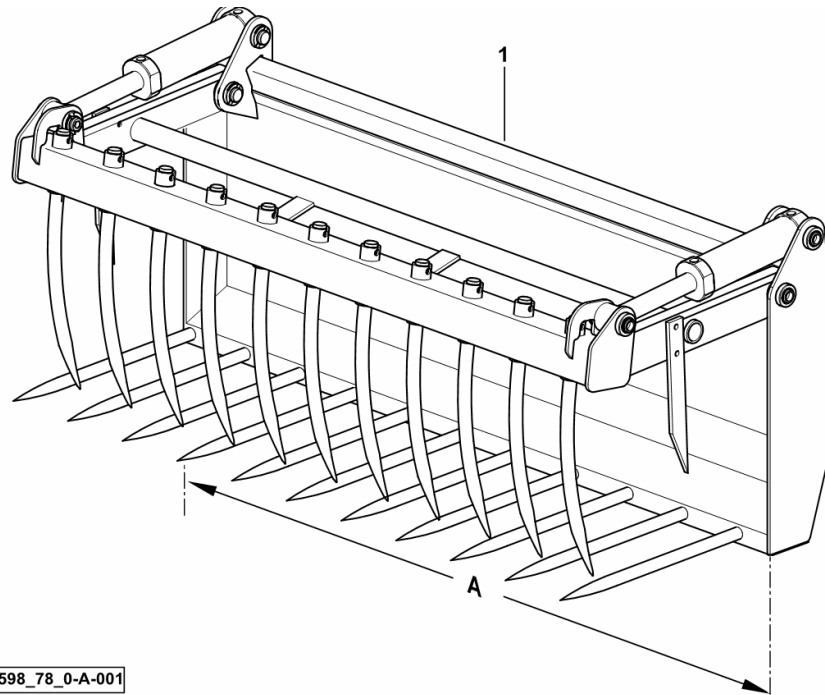
FORK WITH LOAD HOLDER - FWGR 200 N

Fig.	Code	QTY	Name
------	------	-----	------

Notes:

[Agrotron M 610 -> 20001]

1	0.014.4698.4	1	fork-lift - FWGR 200 N A = mm 2000
---	--------------	---	---------------------------------------



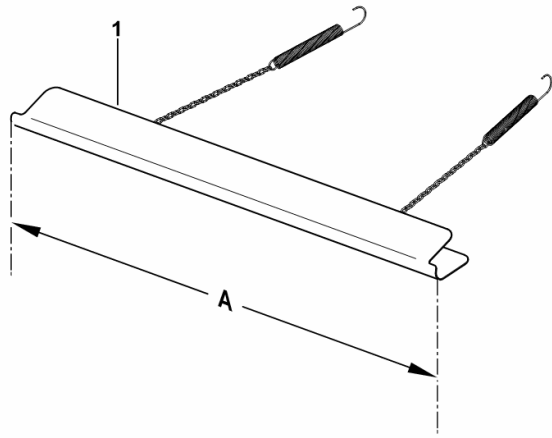
9_G4598_78_0-A-001

SHOVEL AND FORK PROTECTION A = mm 1510

Fig.	Code	QTY	Name
------	------	-----	------

Notes:
[Agrotron M 610 -> 20001]

1	0.014.9824.3/10	1	guard A = mm 1510
---	-----------------	---	-------------------



9_G4698_89_0-A-001

Agrotron M 610 -> 20001

M0 - FRONT PTO

GENERAL

P.T.O. FRONT.....	M0.00.0 (1)
P.T.O. FRONT.....	04455860.4.A
P.T.O. FRONT.....	04455860.4.B
P.T.O. FRONT.....	04455860.4.C
ELECTRICAL SYSTEM P.T.O.....	04455860.4.D

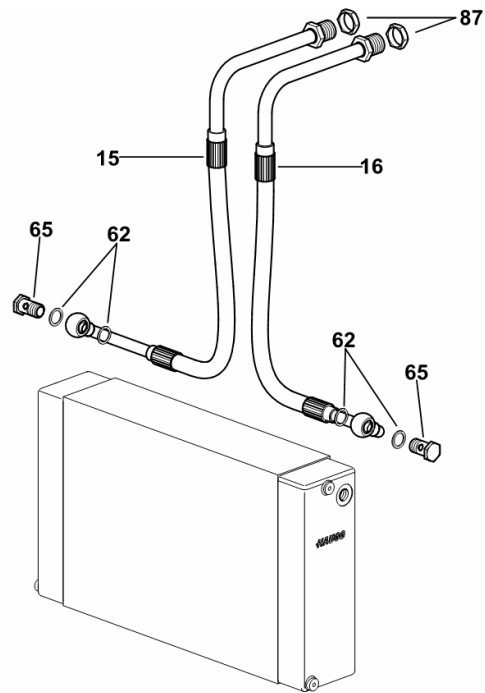
GEAR BOX OIL RADIATOR TUBES

Fig.	Code	QTY	Name
------	------	-----	------

Notes:

[Agrotron M 610 -> 20001]

15	0.015.7762.3/20	1	tube dx/rh/re
16	0.015.7743.3/20	1	tube sx/lh/li
62	2.1560.014.0	4	gasket 18.2 x 24 x 1.5
65	2.3335.008.2	2	pipe union m 18 p.1.5 x 32
87	01123544	2	nut



9_J6383_00_0-F-001

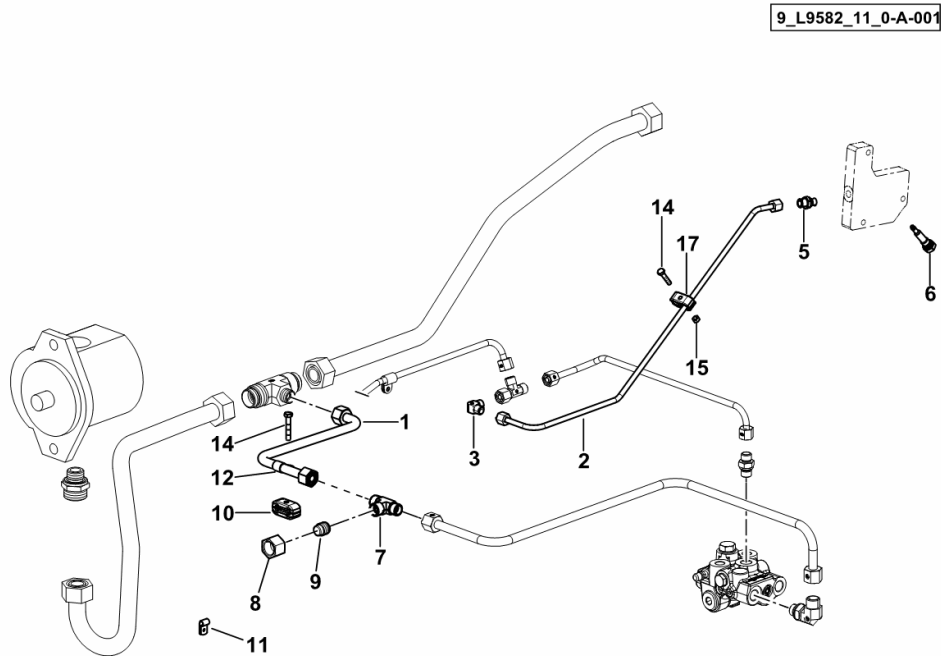
HYDRAULIC SYSTEM OPEN CENTER

Fig.	Code	QTY	Name
------	------	-----	------

Notes:

[Agrotron M 610 -> 20001]

9_L9582_11_0-A-001



1	04455700.3/10	1	tube
2	0.016.1853.3	1	tube
3	01143305	1	pipe fitting
5	01180557	1	pipe fitting m 12 p.1.5x8
6	04454514.4	1	screw
7	0.015.9782.0	1	pipe fitting
8	2.3369.019.2	1	nut m 18 x 1,5
9	01180565	1	plug h 310
10	01141548	1	clamp Ø 8/8
11	01175559	1	hose clip
12	2.6839.055.0	1	clamp Ø 11 / 20
14	2.0112.013.2	2	screw m 6 p.1 x 35
15	2.1011.103.2	1	nut m 6 p.1
17	2.3321.005.0	1	clamp 8-10

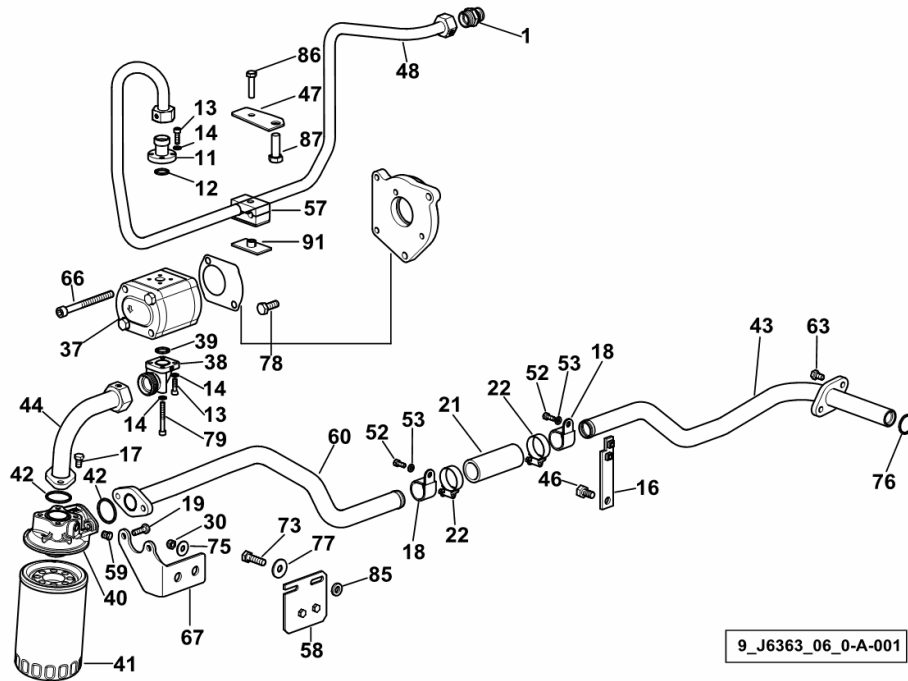
HYDRAULIC SYSTEM OPEN CENTER

Fig.	Code	QTY	Name
------	------	-----	------

Notes:

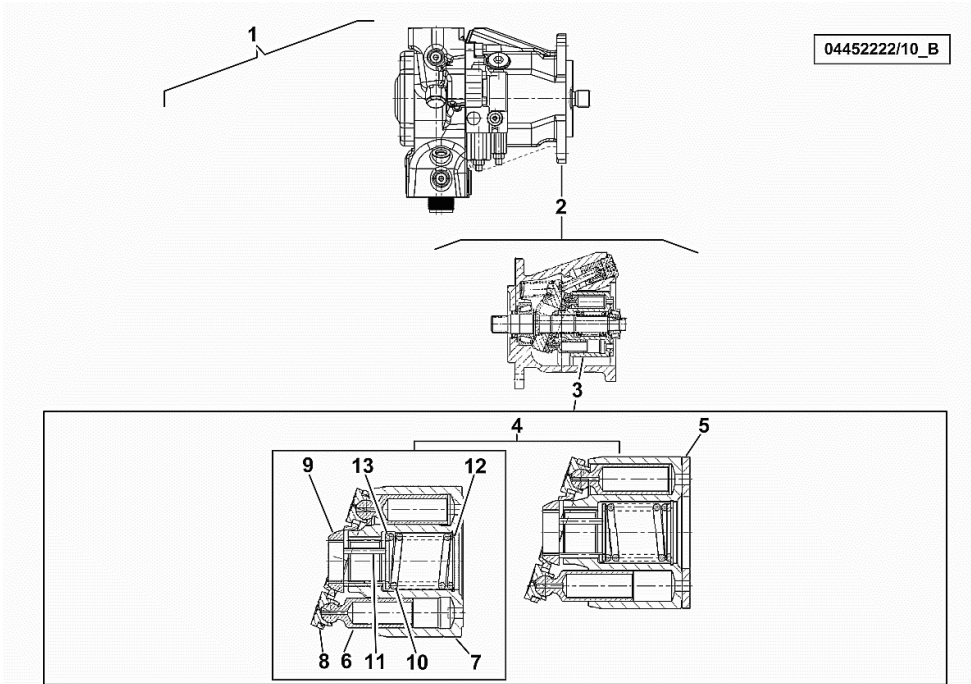
- FOR TYPES WITHOUT PNEUMATIC BRAKE [Agrotron M 610 -> 20001]

1	01177450	2	pipe fitting m 22 p.1.5x18
11	04450491	1	flange
12	06214809	1	'o' ring 18x2,5
13	2.0312.106.2	6	screw m 6 p.1 x 20
14	2.1474.007.2	8	washer 6, d128
16	04453484.2	1	bracket
17	2.0114.207.2	2	screw m 8 p.1.25 x 20
18	01213283	1	clamp Ø 20/28
19	2.0112.211.2	2	screw m 8 p.1.25 x 30
21	0.016.2948.0	1	tube
22	2.6859.154.0	2	hose clip
30	2.1011.105.2	3	nut m 8 p.1.25
37	04450322	1	hydraulic pump 16 ccm ☞ 04450322
38	16054977	1	flange Ø 28 / m 36 p.2
39	2.1530.066.0	1	'o' ring 25.07x2.62
40	2.4419.350.1/40	1	head
41	2.4419.350.0/10	1	hydr.oil filter elem Ø 107.7
42	2.1530.095.0	2	'o' ring 36.14x2.62
43	04450573/10	1	tube
44	04455266.2	1	tube
46	2.0114.307.2	1	screw m 10 x 20, d933
47	0.016.6364.0	1	support
48	04455973.2	1	pipng
52	2.0112.005.2	1	screw m 6 p.1 x 16
53	2.1310.002.2	2	washer 6.6, d125
57	04453993	1	hose clip 18-10
58	0.015.5417.3	1	link
59	04450524	1	plug
60	04455971.2	1	tube
63	2.0114.209.2	2	screw m 8 x 25
66	2.0312.327.2	2	screw m 10 p.1.5x110
67	04455126	1	support
73	2.0112.313.2	2	screw m 10 p.1.5 x 35
75	2.1312.004.2	3	washer 8.4
76	04450572	1	'o' ring 28x2
77	2.1310.006.2	2	flat washer 10.5
78	00290646	1	flange ☞ 00290646
79	2.0312.116.2	2	screw m 6 p.1 x 50
85	04455348	2	spacer



OIL PUMP

Fig.	Code	QTY	Name
1	04452222/10	1	hydraulic pump 45 / 52 R
2	0.900.0045.3	1	oil pump
3	0.900.1264.7	1	rotor
4	0.900.1266.1	1	rotor
5	0.900.1266.2	1	plate
6	0.900.0047.4	9	complete piston
7	0.900.0047.8	1	cylinder
8	0.900.0047.3	1	plate
9	0.900.1266.3	1	closure
10	0.900.0047.7	1	spring
11	0.900.1266.4	3	pin
12	0.900.0047.9	1	'o' ring
13	0.900.0047.6	1	disc

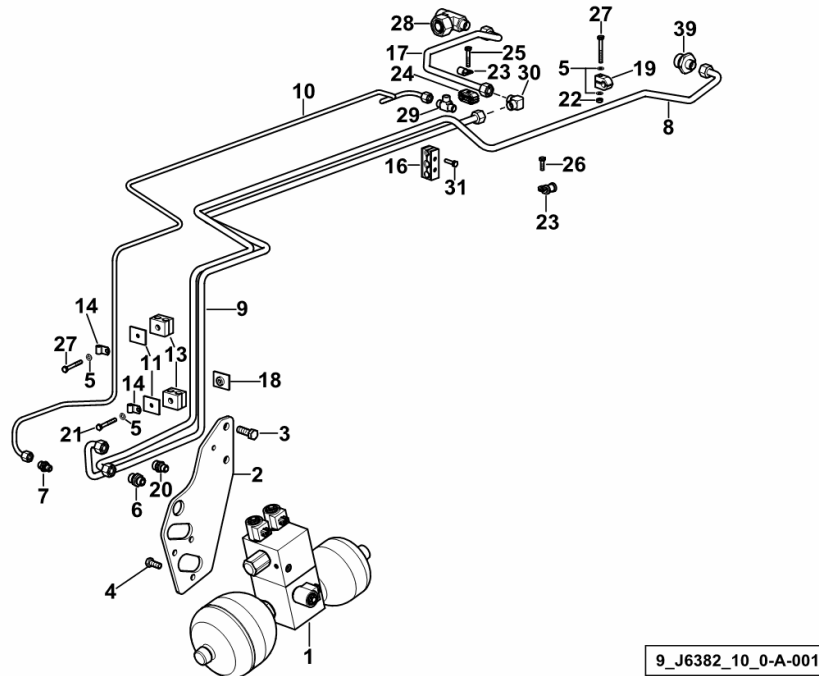


HYDRAULIC SYSTEM FOR SUSPENDED AXLE

Fig.	Code	QTY	Name
------	------	-----	------

Notes:

- WITH LOAD SENSING HYDRAULIC SYSTEM [Agrotron M 610 -> 20001] 20079 <-



9_J6382_10_0-A-001

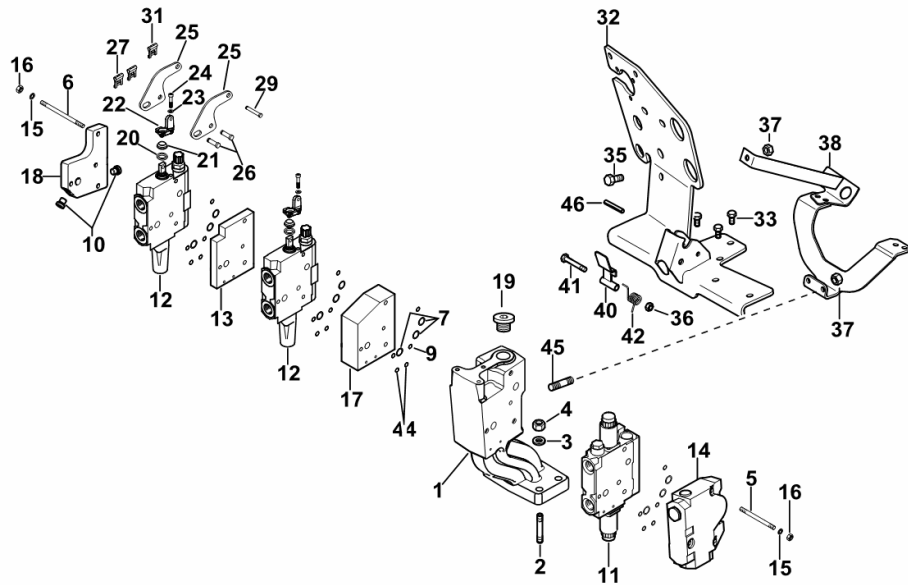
1	04455149/40	1	accumulator kpl. ☞ 04455149/40
2	04455864/10	1	bracket
3	2.0112.413.2	2	screw m 12 p.1.75x35
4	2.0112.309.2	3	screw m 10 p.1.5 x 25
5	2.1310.002.2	4	washer 6.6, d125
6	01180559	1	pipe fitting
7	01180557	1	pipe fitting m 12 p.1.5x8
8	04455880.3/10	1	pipng
9	04455881.3/10	1	pipng
10	04455879.3/10	1	pipng
11	01175616	2	small plate
13	01180439	4	terminal
14	01172129	2	terminal B8X15
16	04454113	1	hose clip Ø12 / Ø12 / Ø8
17	0.015.9783.3	1	tube
18	01177274	1	small plate
19	01141607	1	clamp 12
20	04453868	1	pipe fitting m 14 p.1.5
21	2.0112.015.2	1	screw m 6 p.1x40
22	2.1011.103.2	1	nut m 6 p.1
23	2.6839.055.0	2	clamp Ø 11 / 20
24	01141548	1	clamp Ø 8/8
25	2.0112.013.2	1	screw m 6 p.1 x 35
26	2.0112.005.2	1	screw m 6 p.1 x 16
27	2.0112.019.2	2	screw m 6 p.1 x 50
28	04454457/10	1	tongue
29	04427045	1	pipe fitting T
30	2.3249.233.2	1	pipe fitting
31	2.0112.009.2	2	screw m 6 p.1 x 25
39	0.015.9801.2	1	pipe fitting

4-WAY HYDRAULIC CONTROL VALVE OPEN CENTER

Fig.	Code	QTY	Name
------	------	-----	------

Notes:

[Agrotron M 610 -> 20001]

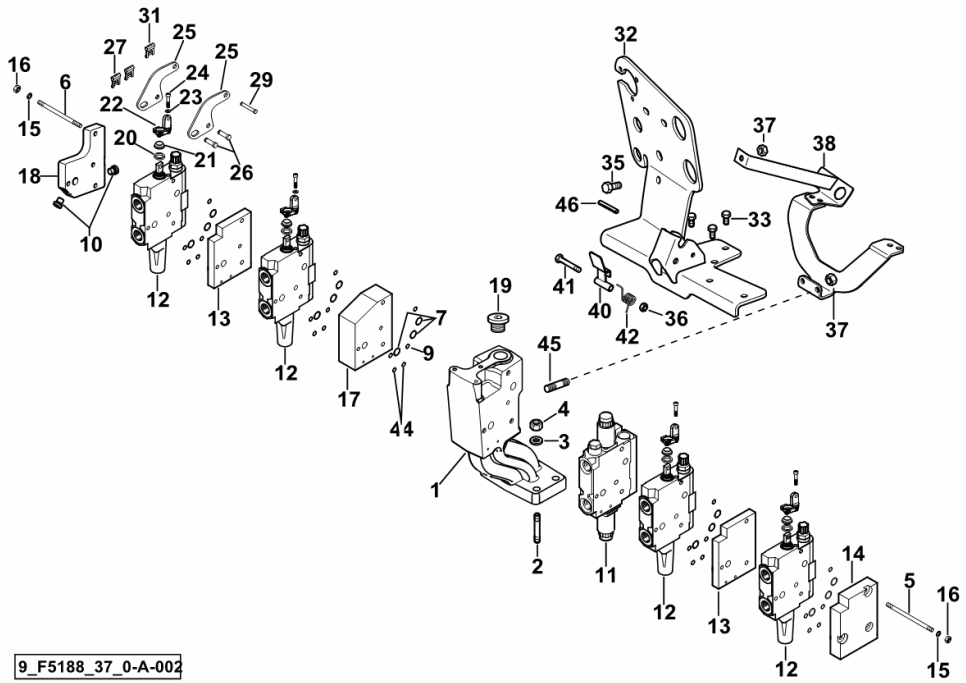


9_F5188_36_0-A-003

1	0.017.1367.0	1	support
2	2.0432.261.7	4	stud bolt m 12 p.1.75-1.25x40
3	2.1475.004.2	4	washer 12
4	2.1011.422.2	4	nut m 12 p.1.25
5	2.0433.025.7	3	stud bolt m 8x1x100
6	2.0433.032.7	3	stud bolt m 8x1x170
7	2.1531.048.0	12	'o' ring 18.72x2.62
9	2.1589.471.0	12	shim 8.1x11.8x0.04
10	04454628	2	screw
11	04428917.4	1	valve ☞ 04428917.4
12	2.3729.480.0	2	element ☞ 2.3729.480.0
13	0.012.2329.0/10	1	plate 13 mm
14	2.3729.520.0/10	1	distributor ☞ 2.3729.520.0/10
15	2.1475.102.2	6	washer 8.4 x 16
16	2.1012.305.7	6	nut m 8 p.1 x 8
17	04451057	1	plate 40 mm
18	04454512	1	plate
19	04451879	1	plug
20	0.011.9918.0	2	spacer 18.6 x 25 x 4.3
21	0.011.9929.0	2	ring
22	0.010.8533.0/10	2	support
23	2.1474.007.2	4	washer 6, d128
24	2.0319.017.6	4	screw m 6 p.1.0 x 16
25	04438354	4	lever
26	04402646	4	pin 8x25
27	01176237	4	guard
29	2.1699.497.2/20	2	pin
31	01175725	2	small spring 6, d128
32	0.017.6688.3/10	1	support
33	2.0114.207.2	3	screw m 8 p.1.25 x 20
35	2.0112.201.2	1	screw m 8 p.1.25 x 10
36	2.1121.005.2	1	nut m 8 p.1.25
37	2.1011.105.2	3	nut m 8 p.1.25
38	0.017.8974.3/10	1	support
40	04451512.4	1	lever
41	2.0112.220.2	1	screw m 8 p.1.25x55
42	04315063	1	spring
44	2.1531.012.0	8	'o' ring 6.75 x 1.78

8-WAY HYDRAULIC CONTROL VALVE LOAD SENSING

Fig.	Code	QTY	Name
46	2.1630.616.0	1	roll pin 6x45



9_F5188_37_0-A-002

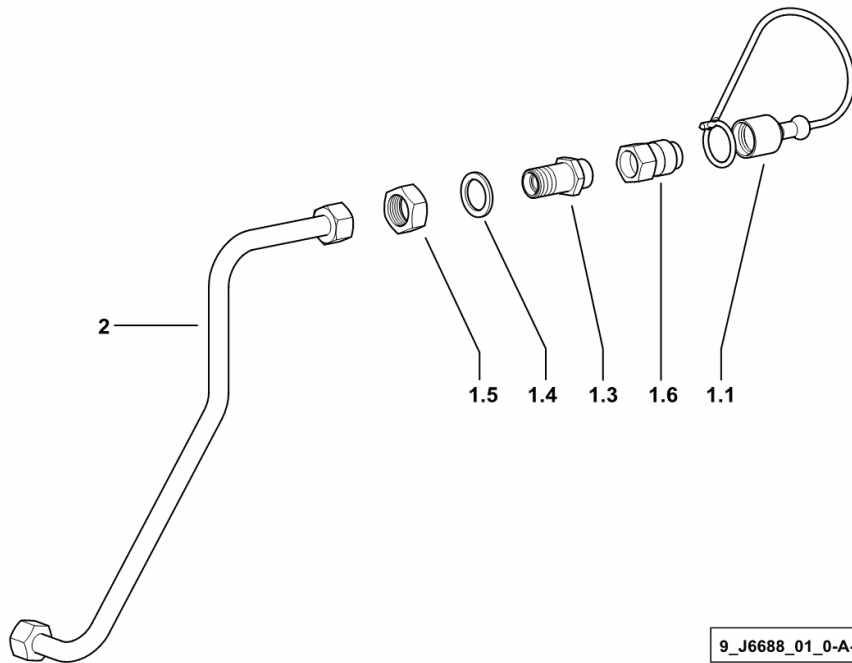
RETURN LINE REAR - UNPRESSURIZED

Fig.	Code	QTY	Name
------	------	-----	------

Notes:

[Agrotron M 610 -> 20001] 20149 <-

1.1	04345654	1	dust guard
1.3	04345652	1	pipe fitting
1.4	01107127	1	washer
1.5	01137633	1	nut m 22 x 1.5
1.6	04363181	1	union nut
2	04455696/10	1	tube



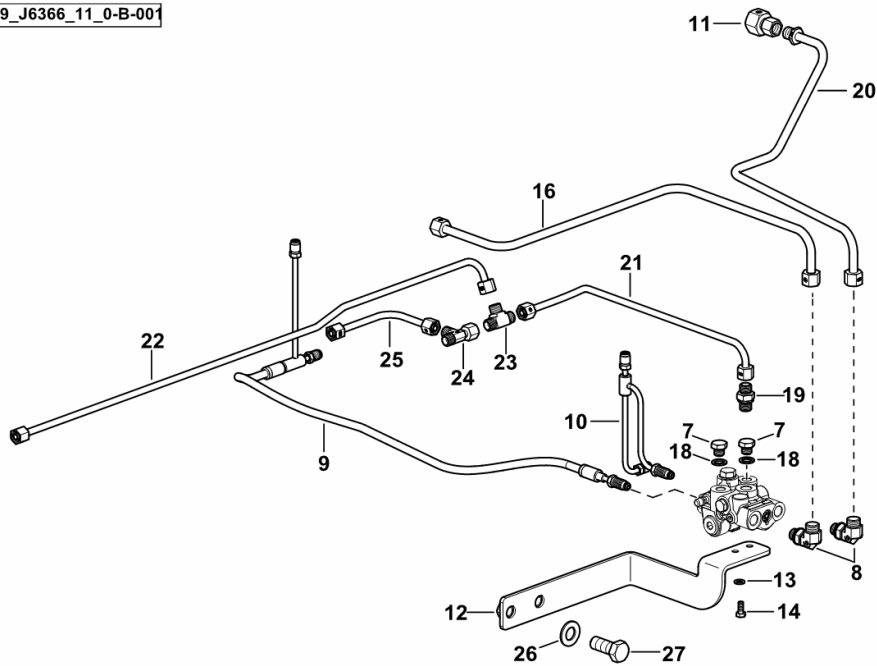
BRAKING SYSTEM

Fig.	Code	QTY	Name
------	------	-----	------

Notes:

- FOR TYPES WITH FRONT BRAKES [Agrotron M 610 -> 20001]

9_J6366_11_0-B-001



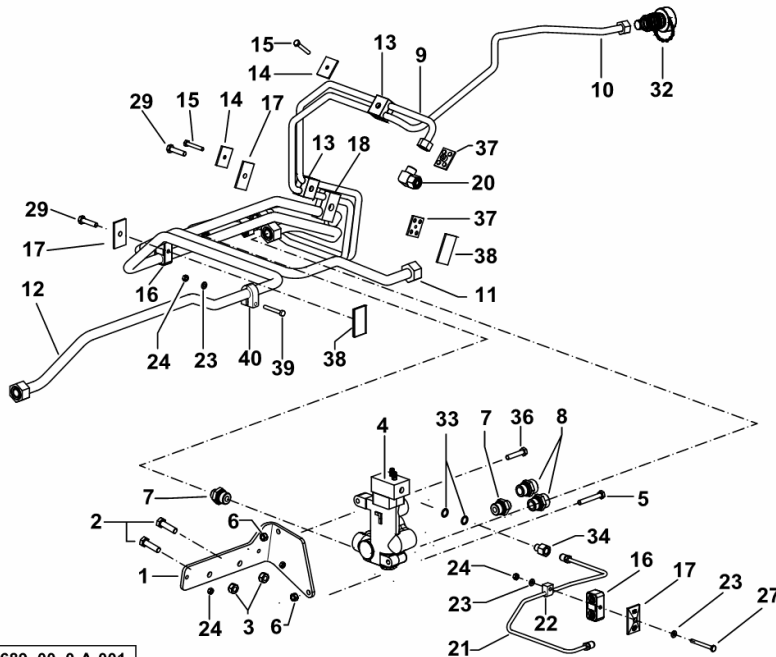
7	2.3110.422.2	2	plug m 12
8	2.3249.219.2	2	male union
9	0.016.0708.3	1	tube dx/rh/re
10	0.016.0709.3	1	tube sx/lh/li
11	2.3249.221.2	1	tongue
12	0.016.5809.3	1	bracket
13	2.1310.002.2	2	washer 6.6, d125
14	2.0112.004.2	2	screw m 6 p.1 x 14
16	0.015.9003.3	1	tube
18	2.1560.008.0	2	gasket 12.2 x 18
19	2.3249.236.2	1	pipe union m 14 p.1.5
20	0.016.0684.3/10	1	tube
21	0.016.0682.3	1	tube
22	0.015.8974.3	1	piping
23	04427045	1	pipe fitting T
24	2.3249.222.2	1	threaded joint
25	0.015.9231.3	1	piping
26	2.1310.007.2	1	flat washer 13.5
27	2.0112.411.2	1	screw m 12 p.1.75 x 30

HYDRAULIC BREAKING FOR TRAILER - EXPORT F

Fig.	Code	QTY	Name
------	------	-----	------

Notes:

- FOR TYPES WITHOUT PNEUMATIC BRAKE [Agrotron M 610 -> 20001] 20147 <-



9_J6689_00_0-A-001

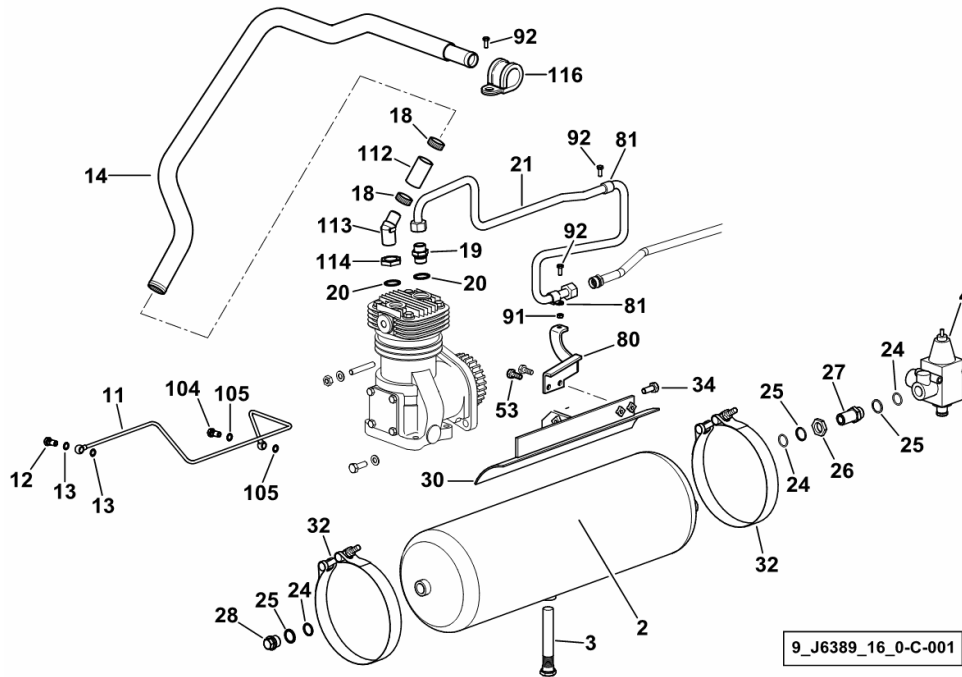
1	04455749	1	support
2	2.0112.313.2	2	screw m 10 p.1.5 x 35
3	2.1011.106.2	2	nut m 10 p.1.5
4	04452780/10	1	valve ☞ 04452780/10
5	2.0112.220.2	1	screw m 8 p.1.25x55
6	2.1011.105.2	2	nut m 8 p.1.25
7	04428400	2	pipe fitting
8	04419602	2	pipe fitting
9	04455681/10	1	pipng
10	04455682/10	1	tube
11	04455705.3/10	1	tube
12	0.016.3104.3	1	tube
13	01180439	4	terminal
14	01175616	2	small plate
15	2.0112.015.2	2	screw m 6 p.1x40
16	01178214	4	terminal
17	01175670	3	small plate
18	04454610	2	terminal Ø 12/18
20	01144832	1	pipe fitting
21	04455685	1	pipng
22	01141501	1	clamp Ø 6
23	2.1310.002.2	3	washer 6.6, d125
24	2.1011.103.2	2	nut m 6 p.1
27	2.0112.020.2	1	screw m 6 p.1 x 55
29	2.0112.213.2	2	screw m 8 p.1.25 x 35
32	04307317	1	coupling
33	2.1560.007.0	2	gasket 12.2x16
34	04419604	1	power control
36	2.0112.215.2	1	screw m 8 p.1.25 x 40
37	01177274	2	small plate
38	01180338	2	small plate
39	2.0112.017.2	1	screw m 6 p.1x45
40	04454609	1	terminal Ø 18

AIR BRAKING - ITALY -

Fig.	Code	QTY	Name
------	------	-----	------

Notes:

[Agrotron M 610 -> 20001]



2	04428868	1	tank 20 lt.
3	04400757	1	valve
4	04434820	1	regulator ☞ 04434820
11	04452824/10	1	tube
12	2.3335.004.2	1	pipe union m 10 p.1
13	2.1561.005.0	2	washer typ A
14	0.016.2952.0	1	primer
18	2.6851.002.0	3	clamp Ø 20/32
19	01179535	1	pipe fitting m 26x1,5/15
20	2.1560.021.0	2	gasket 28.3x34
21	04455882	1	pipng
24	02523700	6	ring
25	02523701	6	ring
26	01137633	1	nut m 22 x 1.5
27	01121735	1	tongue m 22 x 1.5
28	01118980	1	plug m 22 x 1.5
30	04428858.4	1	support
32	2.6859.101.0	2	clamp
34	2.0114.309.2	7	screw m 10 p 1.25 x 25
53	2.0112.207.2	6	screw m 8 p 1.25 x 20
80	04454972	1	support
81	01179680	3	clamp A15X15
91	2.1120.003.2	3	nut m 6
92	2.0112.005.2	4	screw m 6 p.1 x 16
104	2.3335.006.2	1	pipe union m 14 p.1.5x24
105	2.1560.010.0	2	gasket 14.2 x 20 x 1.5
112	01175630	1	sleeve 22x29x71
113	04345862	1	tongue
114	01123544	1	nut
116	01173219	1	clamp

Agrotron M 610 -> 20001

R0 - REAR LIFT

LIFT ASSEMBLY

LIFTING CYLINDER Ø MM 80.....	R0.02.0 (1)
LIFTING CYLINDER Ø MM 80.....	R0.02.0 (2)
LIFTING CYLINDER Ø MM 100.....	R0.02.1 (1)
LIFTING CYLINDER Ø MM 100.....	R0.02.1 (2)
CYLINDER PARTS.....	04411182.4/20.A
CYLINDER PARTS mm 100.....	04411184.4/10.A
HYDRAULIC CYLINDER.....	2.3749.011.0.A
HYDRAULIC CYLINDER.....	2.3749.012.0.A

SENSOR

AGROTRONIC.....	R0.05.0 (1)
AGROTRONIC.....	R0.05.0 (2)

THREE-POINT LINKAGE - LINK ARMS

3 POINT HITCH - LIFTING ARMS.....	R0.06.0 (1)
3-POINT HITCH - ADJUSTABLE RH RODS.....	R0.06.1 (1)
3-POINT HITCH - SIDE STABILIZERS.....	R0.06.2 (1)
3-POINT HITCH - SIDE STABILIZERS.....	R0.06.3 (1)
3-POINT HITCH - SIDE STABILIZERS.....	R0.06.4 (1)
3-POINT HITCH - SIDE STABILIZERS.....	R0.06.5 (1)
3-POINT HITCH - SIDE STABILIZERS.....	R0.06.6 (1)
RETAINER FOR COLLECTING TRAY - SX/LH/LI.....	R0.06.7 (1)
RETAINER FOR COLLECTING TRAY.....	R0.06.8 (1)
TOWING BAR.....	R0.06.9 (1)
MANUAL LATERAL STABILIZERS.....	0.010.5222.4/60.A
LINKAGE.....	0.014.1415.3.A
TOWING HITCH cat. 3.....	0.014.1421.3.A
STABILIZER.....	0.015.4023.4.A
STABILIZER.....	0.015.4029.4.A
STABILIZER.....	0.015.7687.4.A

Section: R0 - REAR LIFT

3 POINT HITCH - LIFTING ARMS

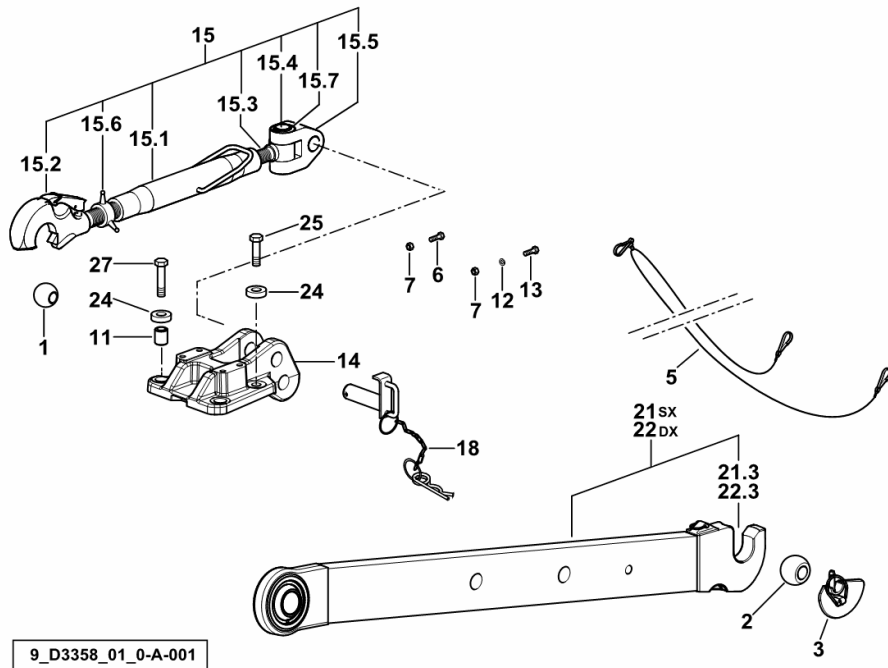
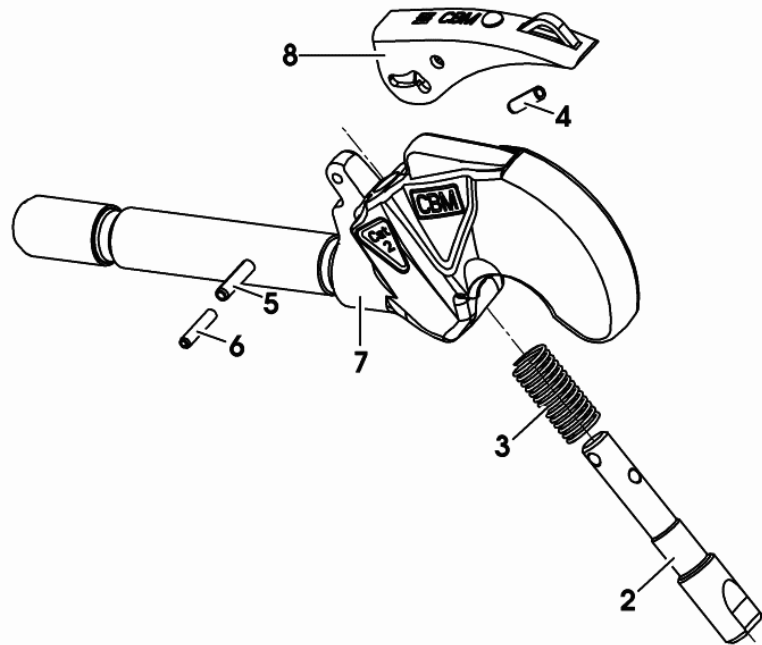
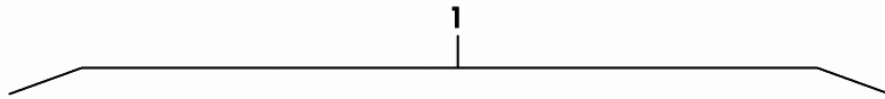


Fig.	Code	QTY	Name
Notes:			
[Agrotron M 610 -> 20001]			
1	04400393	1	cap mm 25.4
2	0.760.4552.0	2	cap 2 cat.
3	0.760.5951.3	2	pin 2 cat.
5	0.012.4852.2	1	chain mm 1500
6	2.0112.209.2	2	screw m 8 p 1.25 x 25
7	2.1011.105.2	3	nut m 8 p.1.25
11	04451288	2	sleeve 18.5x27x30
12	2.1310.004.2	1	flat washer 8.5
13	2.0112.211.2	1	screw m 8 p.1.25 x 30
14	04454887/10	1	support
15	0.015.0870.4	1	3 point hitch
15.1	0.010.1956.3	1	sleeve
15.2	0.014.1415.3	1	rod Ø 60 mm ☞ 0.014.1415.3
15.3	0.011.8085.0	1	rod Ø 32
15.4	0.011.8086.0	1	pin
15.5	0.011.8088.0	1	fork
15.6	0.96081.16.0	1	wing nut m 36 p.3
15.7	2.1412.008.7	1	circlip 25
18	0.016.3911.4	1	pin
21	0.014.1470.3/20	1	left hand arm
21.3	0.014.1421.3	1	automatic hook 3 cat. ☞ 0.014.1421.3
22	0.014.1471.3/20	1	right hand arm
22.3	0.014.1421.3	1	automatic hook 3 cat. ☞ 0.014.1421.3
24	04451350	4	washer 19x40x10
25	2.0129.075.6	2	screw m 18 p.1.5 x 60
27	2.0129.078.6	2	screw m18x70

Section: R0 - REAR LIFT
LINKAGE

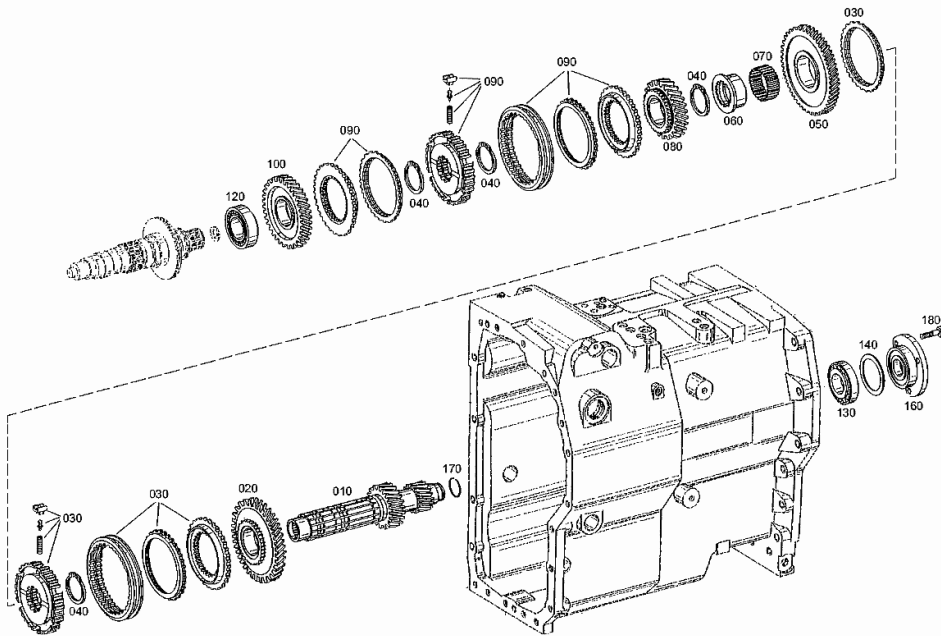
Fig.	Code	QTY	Name
1	0.014.1415.3	1	rod Ø 60 mm
2	0.900.0127.2	1	pin
3	0.900.0070.6	1	spring
4	0.900.0070.7	1	roll pin
5	0.900.0070.8	1	pin
6	0.900.0070.9	1	roll pin
7	0.000.0000.1	0	not serviceable
8	04397652.4	1	lever



0_014_1415_3

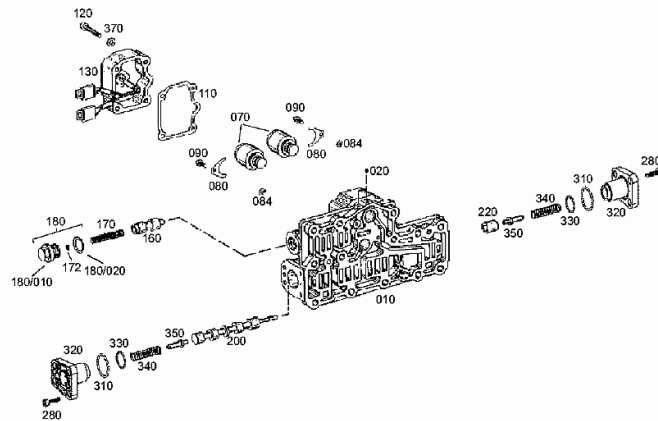
Section: D0 - TRANSMISSION
LAYSHAFT - [2093 009 099]

Fig.	Code	QTY	Name
140	04334549	1	shim mm 1.95
140	04334550	1	shim mm 1.90
140	04334551	1	shim mm 1.85
140	04334552	1	shim mm 1.80
140	04334553	1	shim mm 1.75
140	04334554	1	shim mm 1.70
140	04433184	1	shim mm 1.65
140	04433185	1	shim mm 1.60
140	04436332	1	shim mm 1.725
140	04436333	1	shim mm 1.775
140	04436334	1	shim mm 1.875
140	04436335	1	shim mm 1.925
140	04436336	1	shim mm 1.975
160	04415760	1	cover
170	04415761	1	ring 35x2
180	0.010.2616.1	3	screw m 10x32



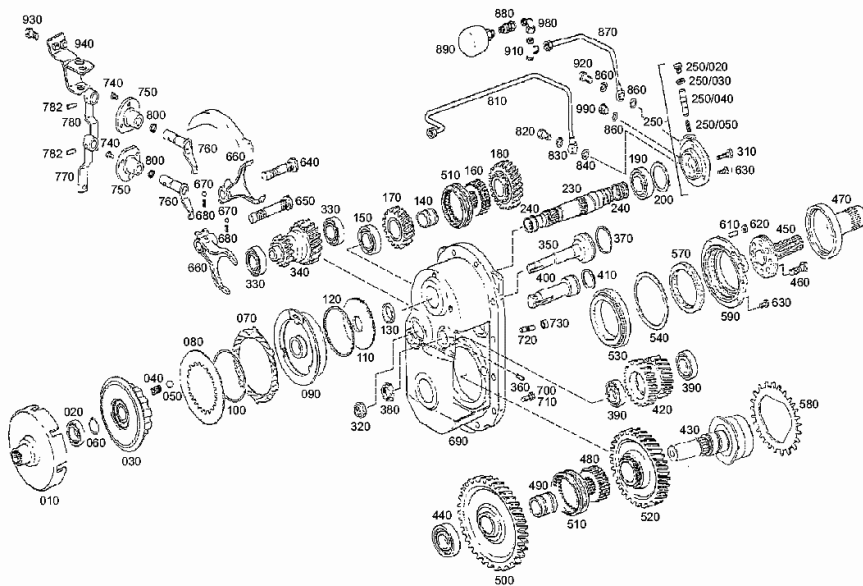
HYDRAULIC CONTROL - [2093 009 099]

Fig.	Code	QTY	Name
10	0.900.0489.1	1	body
20	04416684	2	ball
70	04416685	2	electro valve
80	04416677	2	stop
84	04359457	2	washer mm 1.00
90	04434506	2	screw m 5 x 12
110	0.900.0120.2	1	gasket
120	04434541	4	screw m 6 p.1 x 40
130	0.900.0122.4	1	electrical system
160	04416982	1	piston
170	04416983	1	spring
172	0.900.1379.8	1	shim
172	04424390	1	shim mm 0.50
172	04424403	1	shim mm 1.00
172	04424404	1	shim mm 1.50
172	04424405	1	shim mm 2.00
172	04424406	1	shim mm 2.50
172	04424407	1	shim mm 3.00
172	04424408	1	shim mm 3.50
172	04424409	1	shim mm 4.00
172	04424410	1	shim mm 4.50
172	04424411	1	shim mm 5.00
172	0.900.0474.1	1	shim mm 2.25
172	0.900.0474.0	1	shim mm 1.25
172	0.900.1280.2	1	shim
172	0.900.1280.3	1	shim
180	04433904	1	plug m 18 p.1.5
180.10	04419225	1	screw
180.20	02968175	1	'o' ring 15x2
200	04416984	1	piston
220	04416985	1	piston
280	0.900.0480.7	8	screw m 6 x 25
310	04415838	2	ring 23X2.5
320	0.900.0794.1	2	cover
330	0.900.0801.5	2	ring 18x1,5 NBR-70-10
340	04416992	2	spring
350	04416993	2	piston
370	0.900.0120.4	4	washer mm 6.40



P.T.O. - POWER TAKE OFF - [2093 009 099]

Fig.	Code	QTY	Name
10	0.900.0124.5	1	chassis
20	0.900.0469.0	1	ball bearing
30	0.900.0802.8	1	adapter
40	04417631	8	spring
50	04417632	8	ball
60	0.900.0467.7	1	circlip 34x2.5
70	0.900.0124.7	5	disc FINO A MATRICOLA CAMBIO ZF 01853553
70	0.900.1377.3	5	disc Z = 46 DA MATRICOLA CAMBIO ZF 1853554
80	0.900.0952.7	5	disc FINO A MATRICOLA CAMBIO ZF 01853553
80	0.900.1226.7	5	disc DA MATRICOLA CAMBIO ZF 1853554
90	0.900.0124.9	1	cylinder FINO A MATRICOLA CAMBIO ZF 01853553
90	0.900.1363.0	1	roller FROM ZF GEARBOX SERIAL NO. 1853554
100	04417635	5	spring
110	0.900.0123.4	1	piston
120	0.900.0056.8	1	ring
130	04417638	1	snoulder
140	04417639	1	bushing
150	0.010.3602.0	1	roller bearing (...) <- -> (...)
150	0.900.1385.1	1	bearing -> (...)
160	04417680	1	support
170	0.900.0885.4	1	gear
180	04436292	1	gear Z = 35
190	0.900.0279.2	1	roller bearing (...) <- -> (...)
190	0.900.1385.0	1	bearing -> (...)
200	0.900.1380.1	1	washer
200	04417360	1	shim
200	04417361	1	shim
200	04417362	1	shim
230	0.900.0123.0	1	shaft



MAIN SHAFT - [2093 009 104]

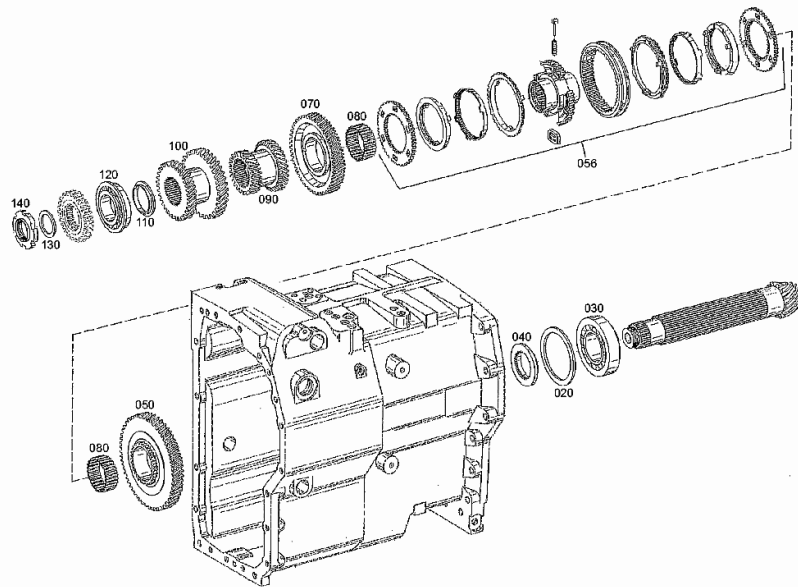
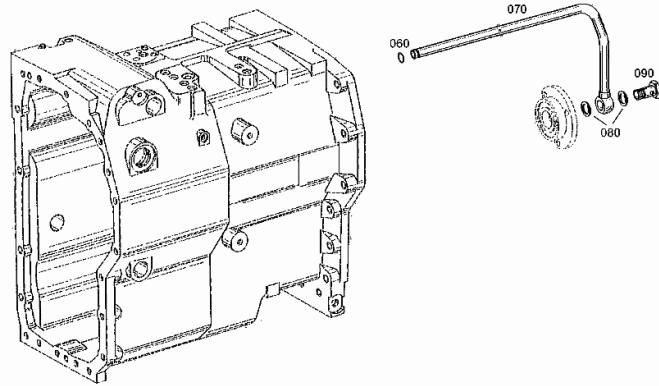


Fig.	Code	QTY	Name
20	0.900.1378.6	1	shim
20	04417170	1	shim s = 3.95
20	04417171	1	shim s = 3.9
20	04417172	1	shim s = 3.85
20	04417173	1	shim s = 3.8
20	04417174	1	shim s = 4.0
20	04417175	1	shim s = 4.05
20	04417176	1	shim s = 4.10
20	0.010.2849.2	1	shim s = 3.75
20	0.010.2850.0	1	shim s = 3.70
20	0.010.2850.1	1	shim s = 3.65
20	0.010.2850.2	1	shim s = 3.60
20	0.010.2851.0	1	shim s = 3.55
20	0.010.2851.1	1	shim s = 3.50
20	0.010.2851.2	1	shim s = 3.45
20	0.010.2852.0	1	shim s = 3.40
20	0.010.2852.1	1	shim s = 3.76
20	0.010.2852.2	1	shim s = 3.77
20	0.010.2853.0	1	shim s = 3.78
20	0.010.2853.1	1	shim s = 3.79
20	0.010.2853.2	1	shim s = 3.81
20	0.010.2854.0	1	shim s = 3.82
20	0.010.2854.1	1	shim s = 3.83
20	0.010.2854.2	1	shim s = 3.84
20	0.010.2855.0	1	shim S = 3.86
20	0.010.2855.1	1	shim s = 3.87
20	0.010.2855.2	1	shim s = 3.88
20	0.010.2856.0	1	shim s = 3.89
20	0.010.2856.1	1	shim s = 3.91
20	0.010.2856.2	1	shim s = 3.92
20	0.010.2857.0	1	shim s = 3.93
20	0.010.2857.1	1	shim s = 3.94
30	04416073	1	roller bearing
40	04416074	1	shim
50	04423721	1	gear V2=Y (...) <-
50	0.900.1381.1	1	gear Z = 75 -> (...)
56	0.010.3840.2	1	lock synchronizer
70	04427568	1	gear V2=Y (...) <-
70	0.900.1380.9	1	gear z = 57 -> (...)
80	04427570	2	roller cage

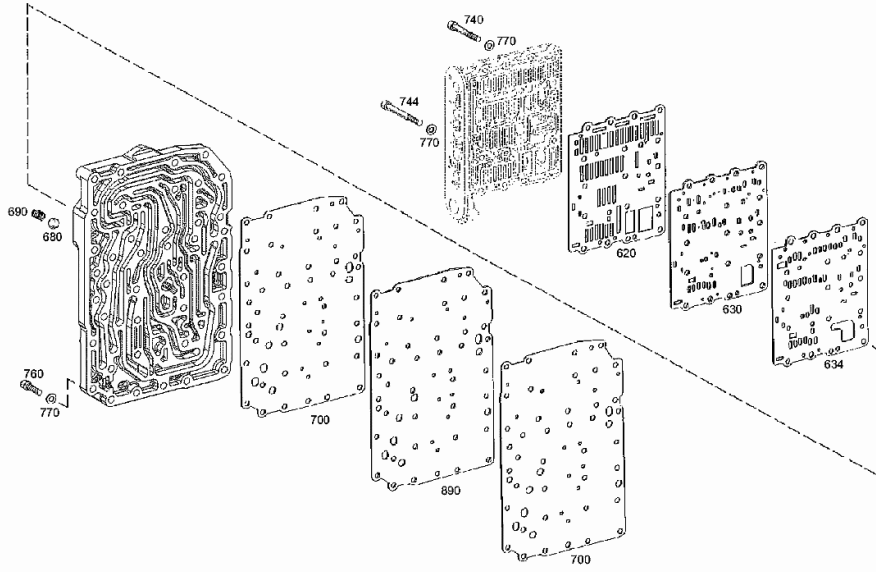
LUBRICANT OIL SUPPLY - [2093 009 104]

Fig.	Code	QTY	Name
60	02968175	1	'o' ring 15x2
70	04415922	1	tube
80	0.010.2622.0	2	gasket 22 x 27
90	04415923	1	pipe union 18 DIN 7643



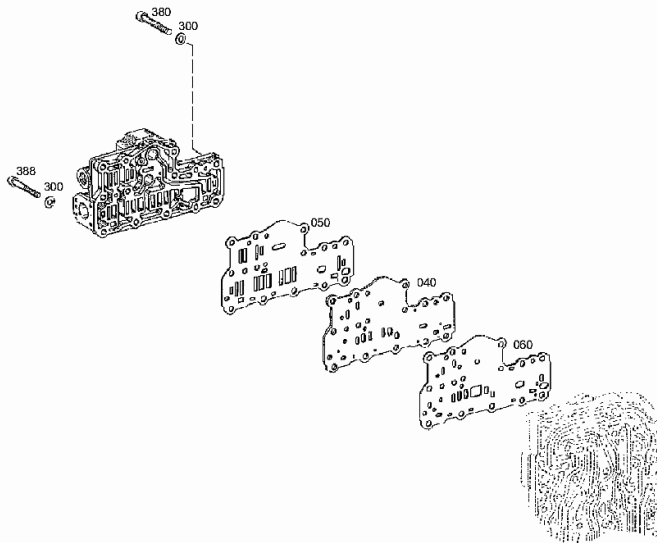
ADJUSTER INSTRUMENT - [2093 009 104]

Fig.	Code	QTY	Name
620	04416853	1	gasket
630	0.010.2884.0	1	plate
634	04416855	1	gasket
680	04416839	1	ball
690	04416942	1	spring
700	04427608	2	gasket
740	04416701	16	screw m 8 x 65
744	04416702	1	screw m 8 x 90
760	04416703	10	screw m 8 x 35
770	04416940	27	washer 8.4
890	04427609	1	plate



HYDRAULIC CONTROL - [2093 009 104]

Fig.	Code	QTY	Name
40	04423365	1	plate
50	04416977	1	gasket
60	04416978	1	gasket
300	04416940	13	washer 8.4
380	04416701	12	screw m 8 x 65
388	04416987	1	screw M8x60



CLICK HERE TO **DOWNLOAD** THE COMPLETE MANUAL

- Thank you very much for reading the preview of the manual.
- You can download the complete manual from: www.heydownloads.com by clicking the link below



- Please note: If there is no response to CLICKING the link, please download this PDF first and then click on it.

CLICK HERE TO **DOWNLOAD** THE COMPLETE MANUAL