

## Agrotron 6.00 -> 8011/8012

### BRAKE

#### GENERAL

HAND BRAKE..... 13.00.1

#### Control assy./service brake, Parking brake

PARKING BRAKE UNIT..... 13.29.1

PARKING BRAKE UNIT..... 13.29.2

PARKING BRAKE UNIT..... 13.29.3

PARKING BRAKE UNIT..... 13.29.4

#### Service brake, Contral assy./service brake

SERVICE BRAKE - SYNCROSPLIT - POWERSHIFT..... 13.30.1

SERVICE BRAKE..... 13.30.2

BRAKE OPERATION - BRAKE - KNOTT..... 13.30.3

BRAKE OPERATION - BRAKE - SIRMAC..... 13.30.4

MASTER CYLINDER..... 13.30.5

BRAKE OPERATION - BRAKE - KNOTT..... 13.30.6

BRAKE OPERATION - BRAKE - SIRMAC..... 13.30.7

BRAKE OPERATION - SYNCROSPLIT..... 13.30.8

BRAKE OPERATION - POWERSHIFT..... 13.30.9

BRAKE OPERATION..... 13.30.10

SERVOBRAKE..... 13.30.11

SERVOBRAKE..... 13.30.12

SERVOBRAKE..... 13.30.13

SERVOBRAKE..... 13.30.14

#### Pneumatic system

AIR-PRESSURE GAUGE..... 13.55.1

COMPRESSED-AIR UNIT..... 13.55.2

AIR COMPRESSOR..... 13.55.3

AIR COMPRESSOR..... 13.55.4

PRESSURE REGULATOR..... 13.55.5

TRAILER SOCKET-OUTLET VALVE..... 13.55.6

TRAILER SOCKET-OUTLET VALVE..... 13.55.7

AIR RESERVOIR LEFT..... 13.55.8

LINKAGE..... 13.55.9

AIR BRAKE HOSE COUPLING..... 13.55.10

PARTS SET..... 13.55.11

#### Hydr. brake for trailer

HYDR. BRAKE..... 13.56.1

TRAILER BRAKE VALVE..... 13.56.2

HYDR. BRAKE - ITALY..... 13.56.3

CLICK HERE TO **DOWNLOAD** THE COMPLETE MANUAL

- Thank you very much for reading the preview of the manual.
- You can download the complete manual from: [www.heydownloads.com](http://www.heydownloads.com) by clicking the link below



- Please note: If there is no response to CLICKING the link, please download this PDF first and then click on it.

CLICK HERE TO **DOWNLOAD** THE COMPLETE MANUAL

Section: BRAKE

**BRAKE OPERATION - BRAKE - SIRMAC**

**DEUTZ FAHR**  
 BREMSBETAETIGUNG  
 BRAKE CONTROL  
 ACTIONNEMENT FREIN  
 ACCIONAMIENTO FRENO

SIRMAC

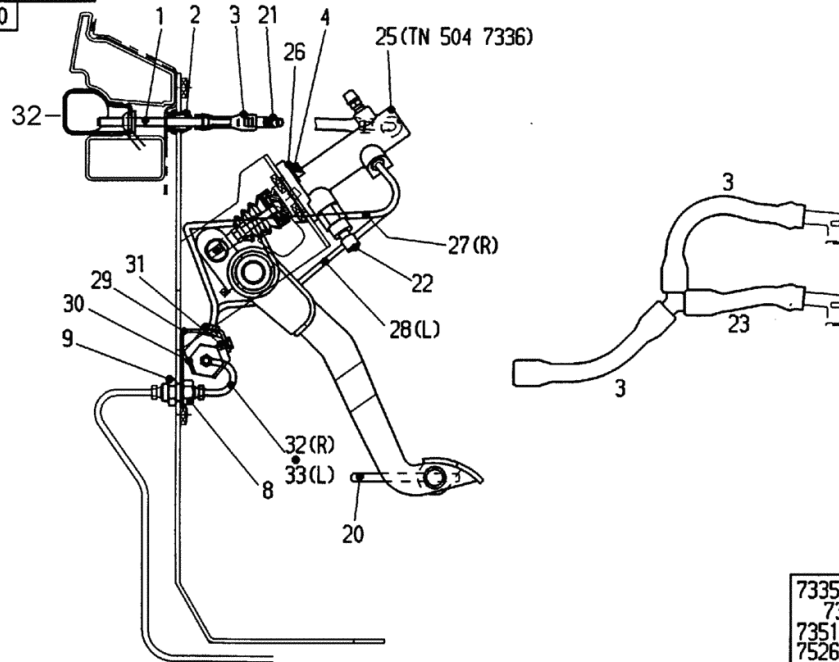
BREMSE  
 BRAKE  
 FREIN  
 FRENO

9/96

2005-30 0504 8080 8  
 09

4.70-6.45,6.01

80-150



7335/7336  
 7342  
 7351-7363  
 7526-7531

Fig.	Code	QTY	Name
1	04411838	1	tongue
2	01173336	1	rubber bushing H 002928-N 7-10 CR-SW
3	04414679	2	rubber tube mm 110
4	01110577	4	screw m 8 x 25 DIN 000912- M 8 X 25 - 8.8-A4 C
	04427970	2	shim
	01104589	1	nut m 18 p.1.5 DIN 000936-M18X1,5 -22H-A-A4C
20	01171750	1	pin H 002498-1470- 8 X 90
21	04414691	1	pipe fitting
22	04414692	2	switch
23	04416868	1	rubber tube mm 70
25	05047336	0	cylinder 2X 13.30.5
26	01107101	4	washer 8.4 DIN 000125-A 8,4-140HV-A4C
27	04419656	1	tube
28	04419657	1	tube
29	04424236	1	console
30	04422360	1	valve
31	01112238	1	screw ISO 004017-M 6 X 12 - 8.8-GES BLACK
32	04434777	1	plug

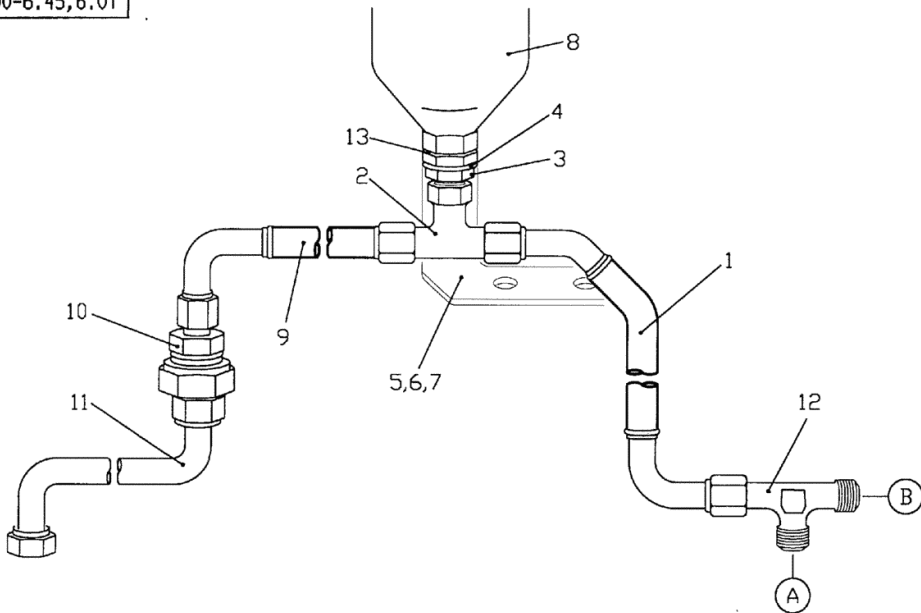
Section: BRAKE  
SERVOBRAKE

Fig.	Code	QTY	Name
1	04419902	1	tube
2	01173015	1	pipe fitting H 003131-CL10-ST-A4C
3	01151190	1	nut m16x1,5 d439 ISO 008675- M16X1,5 -05-OELGE SCH
4	04419692	1	pipe fitting
5	04414665	1	plate
6	01112333	2	screw m 8 x 25, d933 ISO 004017-M 8 X 25 - 8.8-A4C
7	01112824	2	nut m 8, d934 ISO 004032-M 8 - 8-A4C
8	04419695	1	tank
9	04414666	1	tube
10	04418097	1	pipe fitting
11	04419903	1	tube
12	04414668	1 <td pipe fitting	
13	01118688	1	ring 14x17 DIN 007603-A 14 X 18 -CU
557	03606557	1	accessories RETROFIT ASSEMBLY

**DEUTZ FAHR** BREMSKR. VERSTAERKER  
BRAKE BOOSTER  
SERVO-FREIN  
SERVOFRENO

2003-30 0504 7582 5

6.00-6.45, 6.01



557

6185



DRIVER'S SEAT - FIT-SITZ.....	16.54.5
DRIVER'S SEAT - FIT-SITZ.....	16.54.6
DRIVER'S SEAT - EUROFIT.....	16.54.7
DRIVER'S SEAT - EUROFIT.....	16.54.8
DRIVER'S SEAT - EUROFIT.....	16.54.9
DRIVER'S SEAT - EUROFIT.....	16.54.10
DRIVER'S SEAT - EUROFIT.....	16.54.11
DRIVER'S SEAT - EUROFIT.....	16.54.12
DRIVER'S SEAT - AEROMAT.....	16.54.13
DRIVER'S SEAT - EUROFIT.....	16.54.14
DRIVER'S SEAT - EUROFIT.....	16.54.15
DRIVER'S SEAT - EUROFIT.....	16.54.16
DRIVER'S SEAT - AEROMAT.....	16.54.17
DRIVER'S SEAT - AEROFIT.....	16.54.18
DRIVER'S SEAT - AEROFIT.....	16.54.19
DRIVER'S SEAT - AEROFIT.....	16.54.20
DRIVER'S SEAT - AEROFIT.....	16.54.21
DRIVER'S SEAT - AEROFIT.....	16.54.22
DRIVER'S SEAT - AEROFIT.....	16.54.23
DRIVER'S SEAT - AEROFIT.....	16.54.24
DRIVER'S SEAT - AEROFIT.....	16.54.25
DRIVER'S SEAT - AEROMAT.....	16.54.26
DRIVER'S SEAT - AEROMAT.....	16.54.27
DRIVER'S SEAT - AEROMAT.....	16.54.28
DRIVER'S SEAT - AEROMAT.....	16.54.29
DRIVER'S SEAT - AEROMAT.....	16.54.30
DRIVER'S SEAT - AEROMAT.....	16.54.31
DRIVER'S SEAT - AEROMAT.....	16.54.32
DRIVER'S SEAT - AEROMAT.....	16.54.33
DRIVER'S SEAT - AEROMAT.....	16.54.34
DRIVER'S SEAT - AEROMAT.....	16.54.35
DRIVER'S SEAT - AEROMAT.....	16.54.37
<b>Tank panelling, Instrument box, Front panelling</b>	
INSULATION CAB.....	16.55.1
SUPPORT.....	16.55.2
<b>Toolbox</b>	
METAL TOOLBOX.....	16.60.1
METAL TOOLBOX.....	16.60.2
<b>Driving mirror</b>	
REAR-VIEW MIRROR.....	16.67.1
FRAME - REAR-VIEW MIRROR.....	16.67.2
REAR-VIEW MIRROR TELESCOPIC.....	16.67.3
FRAME - REAR-VIEW MIRROR TELESCOPIC.....	16.67.4
<b>Rear reflector</b>	

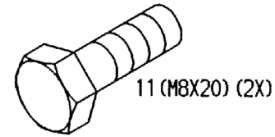
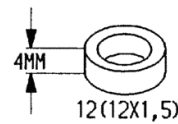
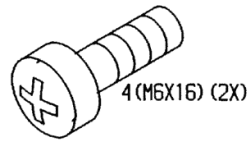
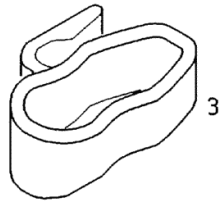
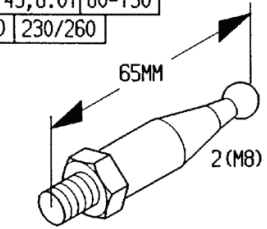
Section: BUILT-ON ACCESSORIES  
**KNOCKOUT WINDOW FRONT**

**DEUTZ FAHR** AUSSTELLFENSTER VORN  
 VENT WINDOW FRONT  
 VITRE RELEVABLE AVANT  
 VENTANA GRADUABLE DELANTE

2005-37 0504 7082 8

4.70-6.45,6.01 80-150  
 160-200 230/260

Fig.	Code	QTY	Name
2	04418838	2	ball joint
3	04412815	1	support
4	04413811	2	screw m 6 p.1.0 x 16 DIN 007985-M 6X 16-Z1-4.8-H-A 4C-TORX T30
5	04413789	1	cap
6	04413793	2	cap
8	01107110	2	washer 13.5 DIN 000125-A13 -140HV-A4C
4			
11	01144692	2	screw m 8 p.1.25 x 20 DIN 000933-M 8 X 20 Z1-ST- 8. 8-A4C



5332

Section: BUILT-ON ACCESSORIES  
**FRONT WINDSCREEN BOTTOM**

Fig.	Code	QTY	Name
2	04418627	1	glass
3	04418628	1	glass
4	04414218	4	spacer

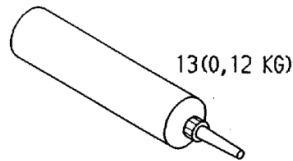
**DEUTZ FAHR** FRONTSCHEIBE  
 WINDSCREEN  
 PARE-BRISE  
 PARABRISAS

UNTEN  
 BELOW  
 DESSOUS  
 ABAJO

2005-37 0504 7092

4.70-6.45,6.01|80-150  
 160-200|230/260

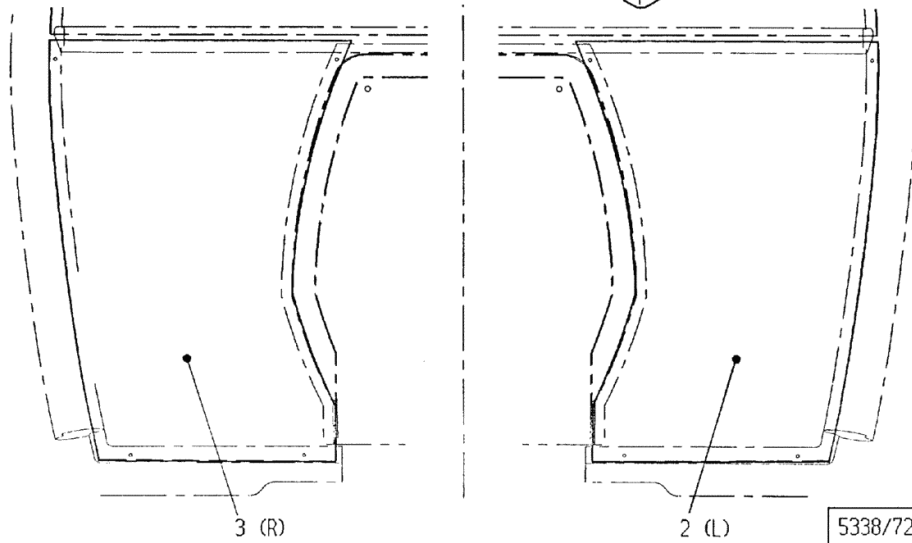
4



13 (0,12 KG)



14 (0,005 KG)



**KNOCKOUT WINDOW REAR**

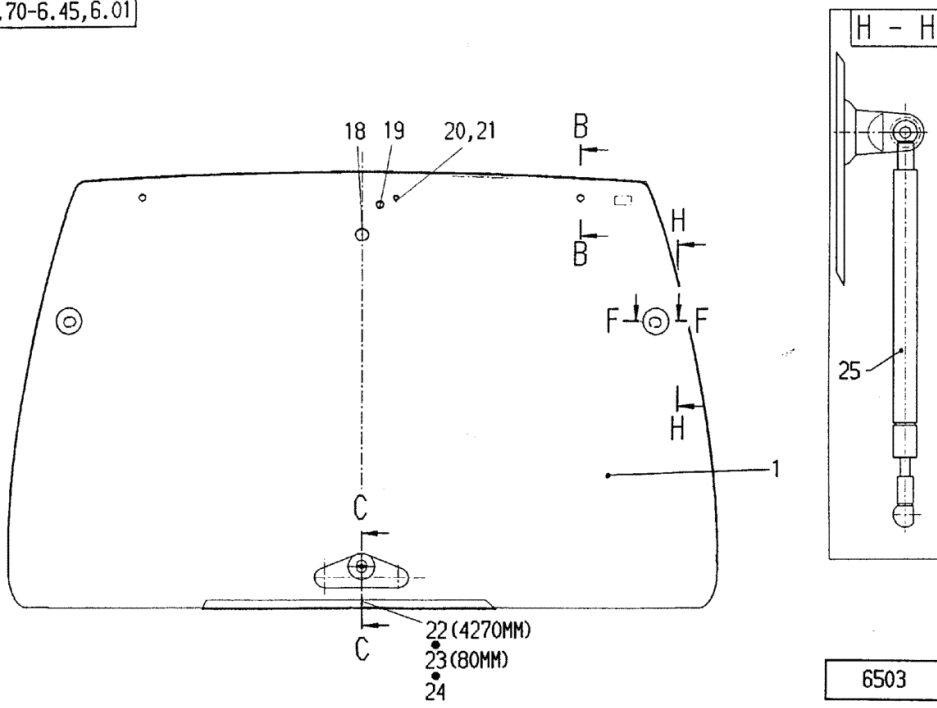
Fig.	Code	QTY	Name
1	04426333	1	rear window
18	04413803	1	plug 25x38x12
19	04413804	1	plug 14x25x12
20	01167414	1	rubber bushing
			H 002928-D 5 X10 X 1,5-GI DEU TZ 1
21	04361405	1	pin
22	04419141	1	gasket
23	01388794	1	parting 9x4,5
			H 846482-02-PN 1
24	01016121	1	sealing compound
			H 000699-DEUTZ KL 5A- 50/100
			G
25	04415239	2	shoch.absorber

**DEUTZ FAHR** AUSSTELLFENSTER HINTEN  
VENT WINDOW REAR  
VITRE RELEVABLE ARRIERE  
VENTANA GRADUABLE ATRAS

4.70-6.45,6.01

4/96

2005-37 0504 7643



**SKYLIGHT WITH GLASS**

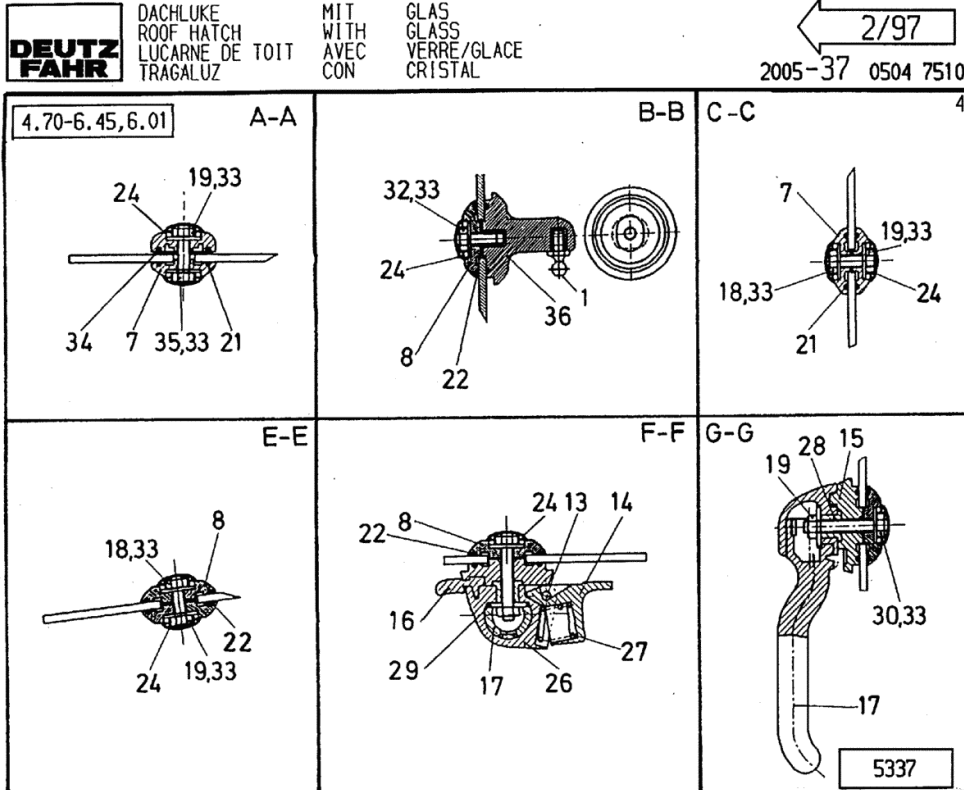
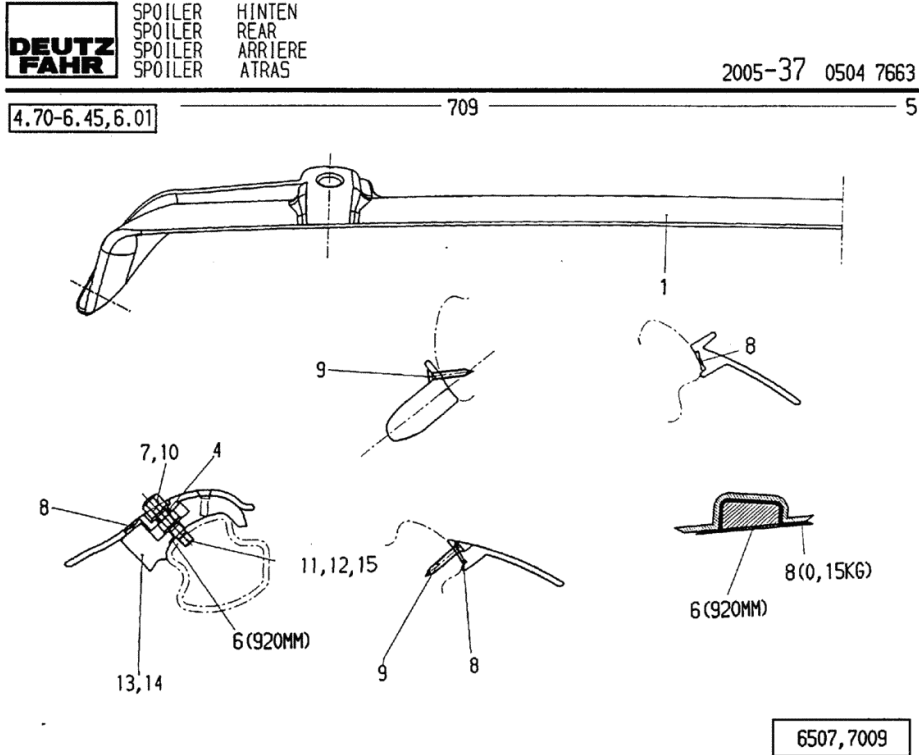


Fig.	Code	QTY	Name
1	04399070	1	ball joint
7	04411716	6	washer
8	04412814	5	washer
13	04412345	1	screw
14	04424118	1	latch
15	04412346	1	conical washer
16	04412351	1	washer
17	04422403	1	handle
18	01112333	3	screw m 8 x 25, d933
19	01136452	7	ISO 004017-M 8 X 25 - 8.8-A4C nut vm 8 d980
21	04416556	8	DIN 000980-VM 8 - 8-A4C GEWAC HST
22	01166059	8	ring H 002927- 30 X 3.5 -NBR-1-70 'o' ring 40x3 H 002927- 40 X 3 -NBR-1-60
24	04413793	8	cap
26	04414162	1	washer
27	04414163	1	spring DIN 002098- 3,2 X 20 X 33,5 G YELLOW CHROME
28	04414164	1	bushing
29	04414165	1	washer
30	01112360	1	screw m 8x50 d931 ISO 004017-M 8 X 50 - 8.8-GES BLACK
32	01112322	2	screw m 8 p.1.25 x 20 ISO 004017-M 8 X 20 - 8.8-A4C
33	01136363	13	washer 8.4 DIN 009021- 8,4-140HV-A4C
34	02371973	2	washer
35	01112341	2	screw m 8 x 30, d933 ISO 004017-M 8 X 30 - 8.8-A4C
36	04418942	2	shoch.absorber

**SPOILER REAR**

Fig.	Code	QTY	Name
1	04419315	1	hinge
6	04419464	1	band 920 MM
7	01151019	2	washer 8.4 DIN 000125- 8,4-200HV
8	04414226	1	sealing compound HENKEL 211-342 0.15 KG
9	04416919	3	screw m 4.8x32 DIN 007982-ST 4,8X32-C-A3R TO RX T25
10	01174042	2	cap H 002870-K 13 -PE SOFT-SW
11	01113399	2	screw DIN 000939-M 8 X 35 - 8.8-A4C
12	01112824	4	nut m 8, d934 ISO 004032-M 8 - 8-A4C
13	04415223	1	hinge
14	04415224	1	hinge
15	01171741	2	washer H 002398- 9021-A 8,4-ST
709	03607009	1	division RETROFIT ASSEMBLY



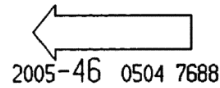
**SPEED ADJUSTMENT - RETROFIT KIT**

Fig.	Code	QTY	Name
1	04419017.4	1	gear lever
2	04419016.4	1	accel. pedal
3	04419019.4	1	gear lever
4	04419510	1	stop
5	03372269	1	rubber sleeve
6	01112341	1	screw m 8 x 30, d933
			ISO 004017-M 8 X 30 - 8.8-A4C
			nut m 8, d934
			ISO 004032-M 8 - 8-A4C
			publicity article
325	04419325	1	

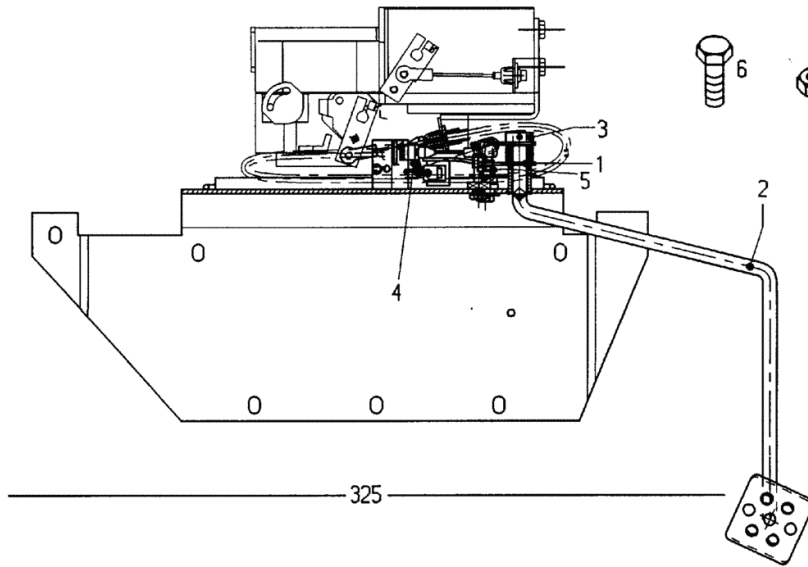


DREHZ. VERSTELLUNG  
SPEED ADJUSTMENT  
REGLAGE DE VITESSE  
VARIAC. REVOLUCION

NACHRUESTSATZ  
OPTIONAL EXTRAS  
EQUIP ULTERIUER  
JUEGO COMPLEMENT



4.70-6.45,6.01



441 9325

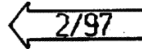
**WING REAR LEFT/RIGHT**

Fig.	Code	QTY	Name
25	04418602	1	support
26	04418603	1	support
27	04418609	2	tube
28	01136363	6	washer 8.4 DIN 009021- 8,4-140HV-A4C
29	04418610	2	tube
30	01113416	2	screw DIN 000939-M 8 X 65 - 8.8-A4C
31	01126209	2	screw DIN 000939-M 8 X 50 - 8.8-A4C
32	01104944	4	nut m 8, d985 DIN 000985-M 8 - 8-A4C
42	04422723	1	band



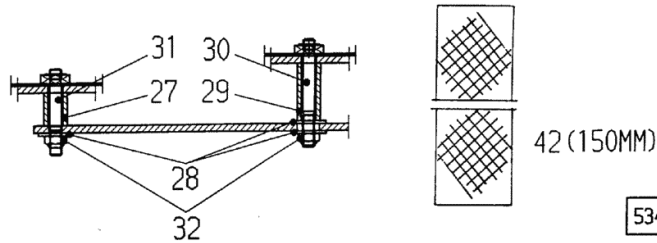
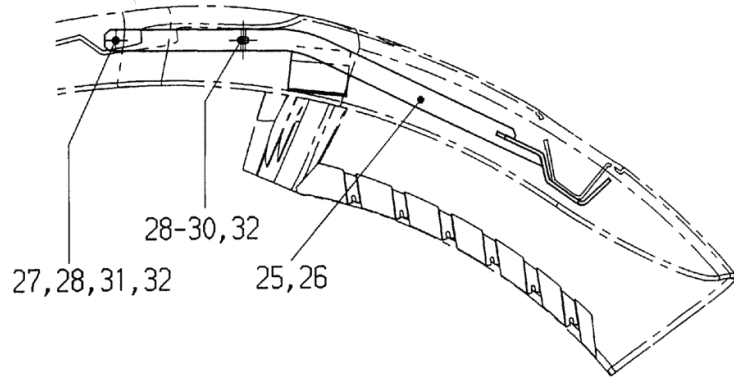
KOTFLUEGEL HINTEN  
REAR MUDGUARD  
GARDE-BOUR AR  
GUARDABARRAS TRAS.

LINKS/RECHTS  
LEFTHAND/RIGHTHAND  
GAUCHE/DROITE  
IZQUIERDA/DERECHA



2005-51 0504 7491

4.70-6.45,6.01



5346-5353

**DRIVER'S SEAT - FIT-SITZ**

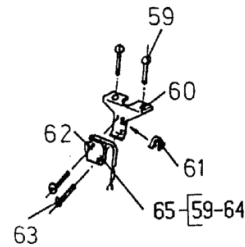
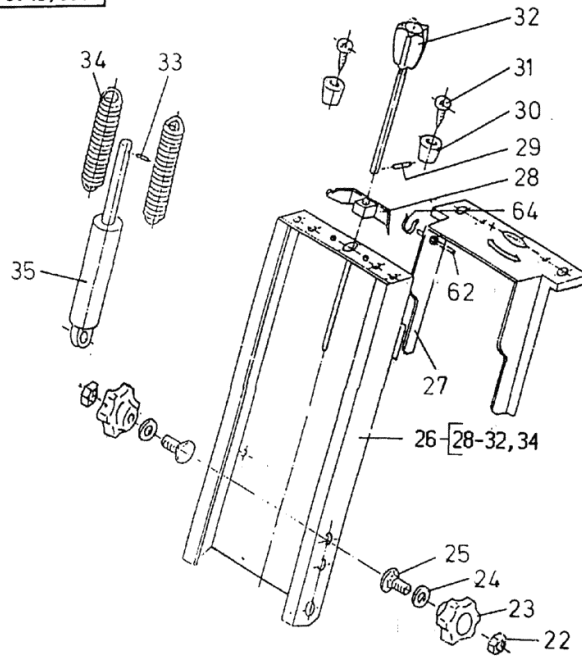


FAHRERSITZ  
DRIVER'S SEAT  
SIEGE DE CONDUCT  
ASIENTO CONDUCTOR

**FIT-SITZ**

2005-54 0504 7422

4.70-6.45,6.01



5867

Fig.	Code	QTY	Name
22	01136453	2	nut m 10 DIN 000980-VM10 - 8-A4C GEWAC HST
23	04403319	2	washer
24	01127717	2	washer 10.5 DIN 009021-10,5-140HV-A4C
25	01138802	2	screw m 10 x 35 DIN 000603-M10 X 35 -8.8-A4C
26	04418594.4	1	terminal box
27	04418595	1	cover
28	04418596	1	support
29	01157304	1	pin ISO 008752- 3 X 12-A4C
30	04418597	2	shoch.absorber
31	04418598	2	screw
32	04418599	1	mandrel
33	04418962	1	rivet
34	04348018	2	spring
35	04418963	1	shoch.absorber
59	01119633	2	screw m 5 x 16 ISO 007045-M 5X 16 - 4.8-H -A 4C
60	04418980	1	square
61	04418981	1	bracket
62	04418982	1	switch
63	04418983	2	screw
64	04418984	1	small spring
65	04418985.4	1	switch

**DRIVER'S SEAT - EUROFIT**

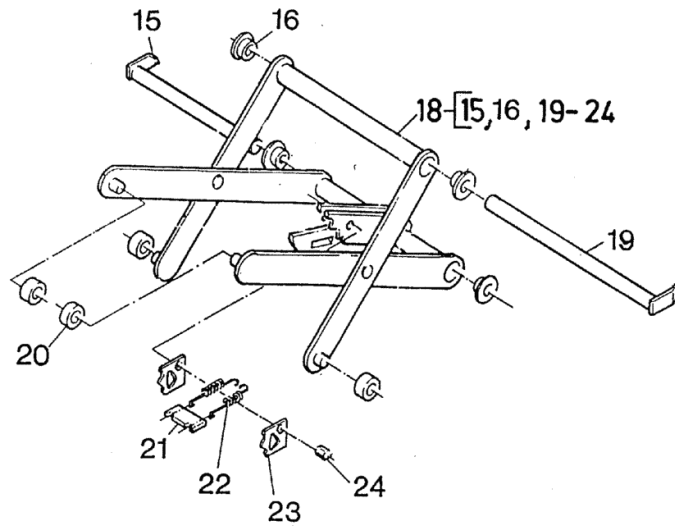
Fig.	Code	QTY	Name
15	04350897	1	pin
16	04367520	4	bushing
18	04350894.4	1	arm
19	04418337	1	pin
20	04311716	4	roller
21	04311718	1	plate
22	04418338	2	spring
23	04311719	2	clutch.pres plate
24	04311720	1	pin

**DEUTZ FAHR** FAHRERSITZ  
DRIVER'S SEAT  
SIEGE DE CONDUCT  
ASIENTO CONDUCTOR

**-EUROFIT-**

2005-54 0504 7348

4.70-6.45,6.01  
80-150



7241

**DRIVER'S SEAT - AEROFIT**

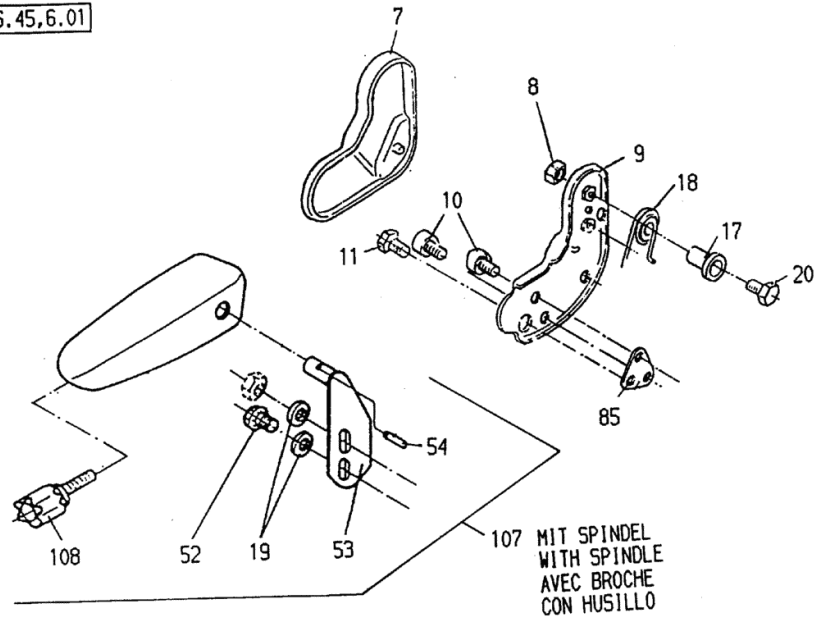
Fig.	Code	QTY	Name
7	04350912	1	cover
8	01137057	2	nut ISO 004032-M 8 - 8
9	04350939.4	1	lever
10	01126450	4	screw ISO 001207- M 8 X 25- 4.8- A4 C
11	04354970	2	screw
17	04418267	1	bushing
18	04350925	1	spring
19	01107101	9	washer 8.4 DIN 000125-A 8,4-140HV-A4C
20	01112350	2	screw m 8 x 35 ISO 004017-M 8 X 35 - 8.8-A4C
52	04403298	2	screw
53	04418271	1	console
85	04402562	1	plate
107	04418282.4	1	small arm
108	04418283	2	mandrel

**DEUTZ FAHR** FAHRERSITZ  
DRIVER'S SEAT  
SIEGE DE CONDUCT  
ASTENTO CONDUCTOR

**-AEROFIT-**

2005-54 0504 7333

4.70-6.45,6.01



5473

**DRIVER'S SEAT - AEROMAT**

**DEUTZ FAHR** FAHRERSITZ  
DRIVER'S SEAT  
SIEGE DE CONDUCT  
ASIENTO CONDUCTOR

**-AEROMAT-**

2005-54 0504 7323

4.70-6.45,6.01|80-150  
160-200|230,260

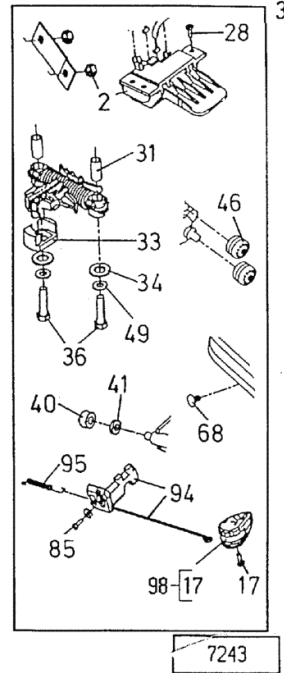
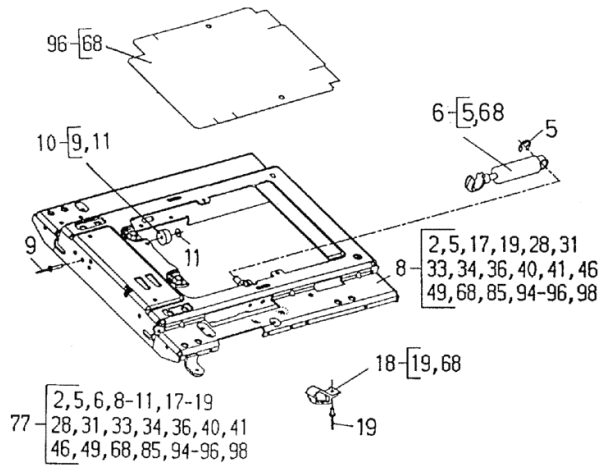


Fig.	Code	QTY	Name
2	01136452	4	nut vm 8 d980 DIN 000980-VM 8 - 8-A4C GEWAC HST
5	01155120	1	washer DIN 006799- 6-A4C
6	04400989.4	1	shoch.absorber
8	04418318.4	1	spring
9	04344971	1	rivet
10	04401972	1	shoch.absorber
11	01151429	2	washer DIN 009021- 4,3-140HV-A4C
17	04402564	1	screw
18	04402565	2	contact surface
19	04418320	2	rivet
28	04402580	3	screw
31	04362458	4	tube
33	04402572	1	shoch.absorber
34	01139376	2	washer DIN 000125-A13 -PA 6.6
36	01112350	2	screw m 8 x 35 ISO 004017-M 8 X 35 - 8.8-A4C
40	04362443	2	bearing
41	04402574	2	felt band
46	04402577	4	roller
49	01107101	4	washer 8.4 DIN 000125-A 8,4-140HV-A4C
68	04311704	24	plug
77	04418325	1	spring
85	04424455	2	screw
94	04418259	1	accumulator
95	04418261	1	spring
96	04418260	1	cover
98	04418262	1	knob

**REAR-VIEW MIRROR TELESCOPIC**



RUECKBLICKSPIEGEL  
REAR-VIEW MIRROR  
RETROVISEUR  
ESPEJO RETROVISOR

TELESKOPIERBAR  
TELESKOPIC  
TELESCOPIQUE  
TELESCOPICO

2005-67 0504 7048

4.70-6.45,6.01 80-150  
160-200 230/260

4

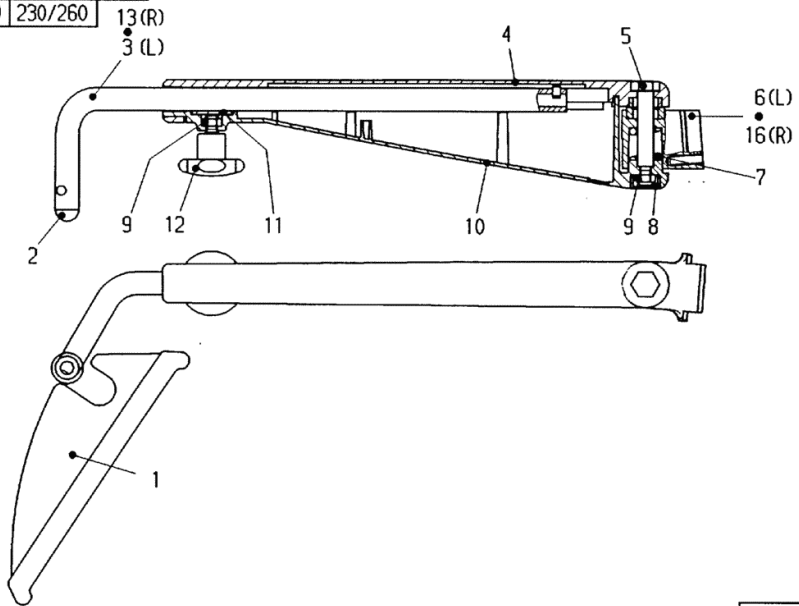


Fig.	Code	QTY	Name
1	04412581	1	rear view mirror
2	04426915	1	tube
3	04424276	1	tube sx/lh/li LEFT
4	04412613.4	1	arm
5	04414174	1	screw
6	04412610.4	1	crosspiece sx/lh/li LEFT
7	04416255	1	spring
8	04426916	1	cap
9	01104944	2	nut m 8, d985 DIN 000985-M 8 - 8-A4C
10	04412612	1	support
11	04414172	1	stop
12	04414173	1	screw
13	04424277	1	tube dx/rh/re RIGHTS
16	04412611.4	1	crosspiece dx/rh/re RIGHTS

7197

**MODEL PLATE**

Fig.	Code	QTY	Name
61	04426200	2	plate
62	04426201	2	plate
63	04426202	2	plate
64	04426203	2	plate
71	04426204	2	plate
72	04426205	2	plate
73	04426206	2	plate
74	04426207	2	plate
75	04426208	2	plate
76	04426209	2	plate
81	04422074	2	plate
82	04422542	2	plate
83	04422543	2	plate
105	04426211	2	advertising material ZINC PROTECTED

**DEUTZ FAHR** TYPSCCHILD  
NAME PLATE  
PLAQUE DE TYPE  
ROTULO TIPO

2006-71 0504 7790

80-150,160, 175, 200

**80 85 90 100 105**  
61 62 63 64 71

**106 110 120 135 150**  
72 73 74 75 76

**160 175 200**  
81 82 83

**ZINC PROTECTED**

105

7207/7216  
6484-6486

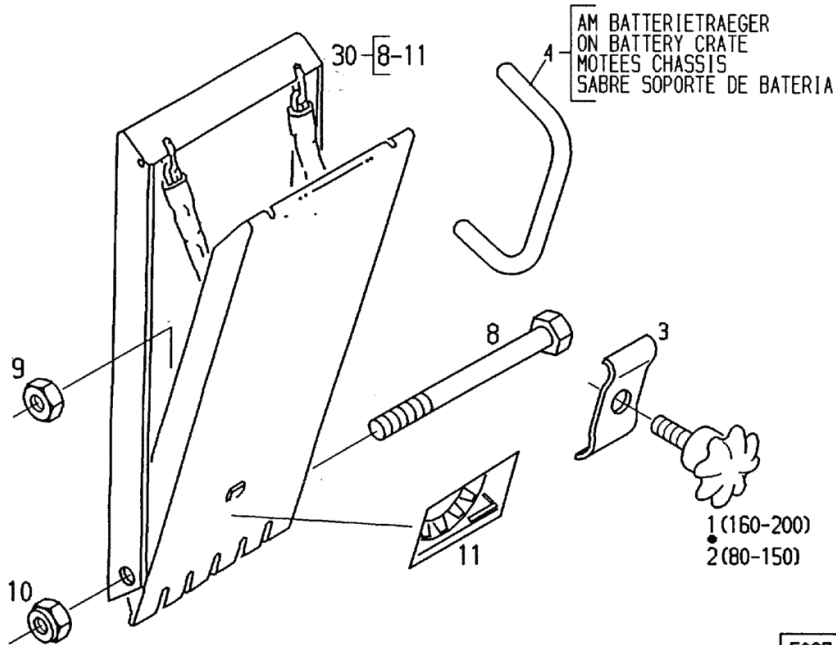
**CHOCK**

Fig.	Code	QTY	Name
1	04422002	1	washer DIN 006336L40
8	01111400	1	screw DIN 000931- M10 X210 - 8.8-A- A4C
9	01102659	1	nut m 10, d934 DIN 000934-M10 - 8-A4C
10	01136453	1	nut m 10 DIN 000980-VM10 - 8-A4C GEWAC HST
11	04336542	1	plate
30	04415868	1	plate

**DEUTZ FAHR** UNTERLEGKEIL  
CHOCK  
COIN  
CALZO

2007-80 0504 7138 10  
3

4.70-6.45,6.01  
80-150  
160-200



5087

**INSULATION CAB**

Fig.	Code	QTY	Name
6	04418113	2	gasket
7	04417670	1	packaging material
8	04418120	1	termal insul.mater.
9	04416920	1	gasket
10	04414797	1	gasket

**DEUTZ FAHR**  
 ISOLIERUNG  
 EXM MANIFOLD INS  
 ISOL TUYAUT ECHAPP  
 AISLANIENTO

KABINE  
 CAB  
 CABINE  
 CABINA

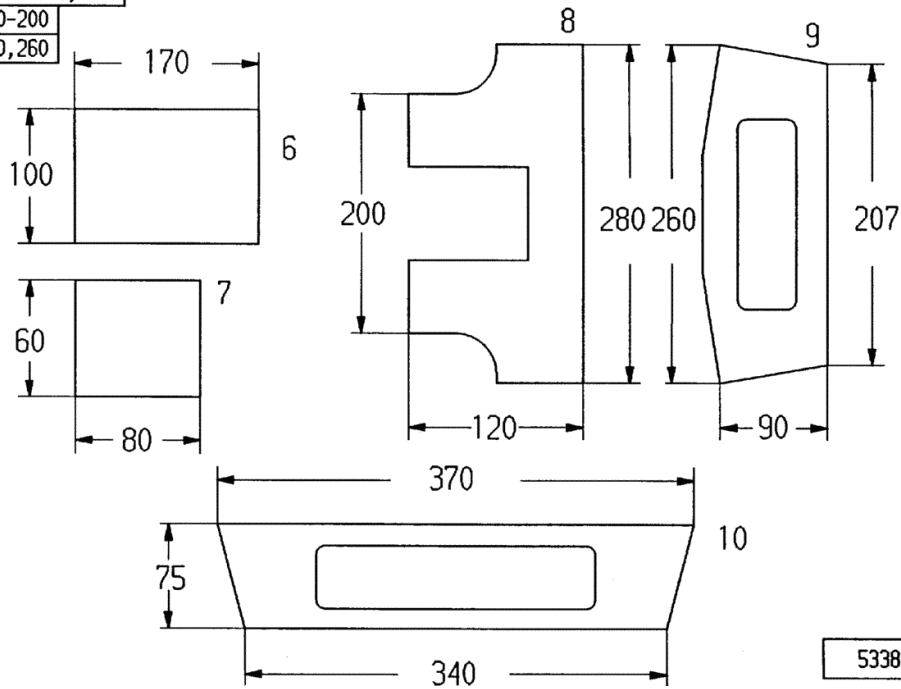
2005-86 0504 7499

4.70-6.45,6.01

160-200

230,260

2



5338

**FLOOR MAT FRONT/REAR**

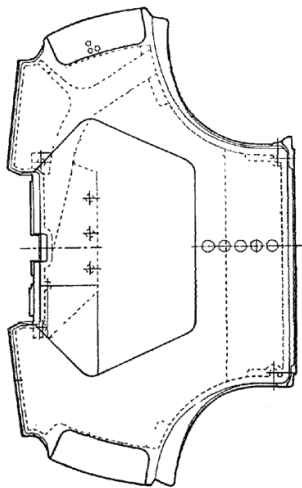
Fig.	Code	QTY	Name
12	04416899	1	shoe
13	04412299	1	small carpet
22	04424833	1	shoe
23	04416031	1	small carpet
33	04424793	1	small carpet
43	04424834	1	small carpet

**DEUTZ FAHR**  
 BODENMATTE  
 FLOOR MAT  
 NATTE  
 ESTERA DEL PISO

VORN/HINTEN  
 FRONT/REAR  
 AVANT/ARRIERE  
 DELANTE/ATRAS

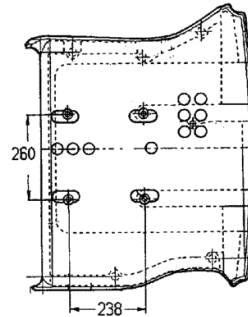
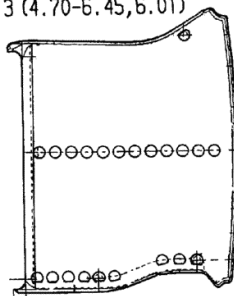
2005-86 0504 7490

4.70-6.45,6.01 160,175,200  
 80-150



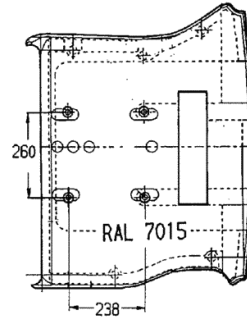
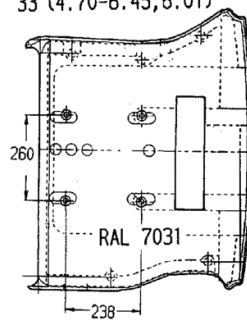
12 (4.70-6.45,6.01)  
 • (RAL 7031)  
 22 (80-200, RAL 7015)

13 (4.70-6.45,6.01)



23 (4.70-6.45,6.01)

33 (4.70-6.45,6.01) 2



43 (80-200) 5338

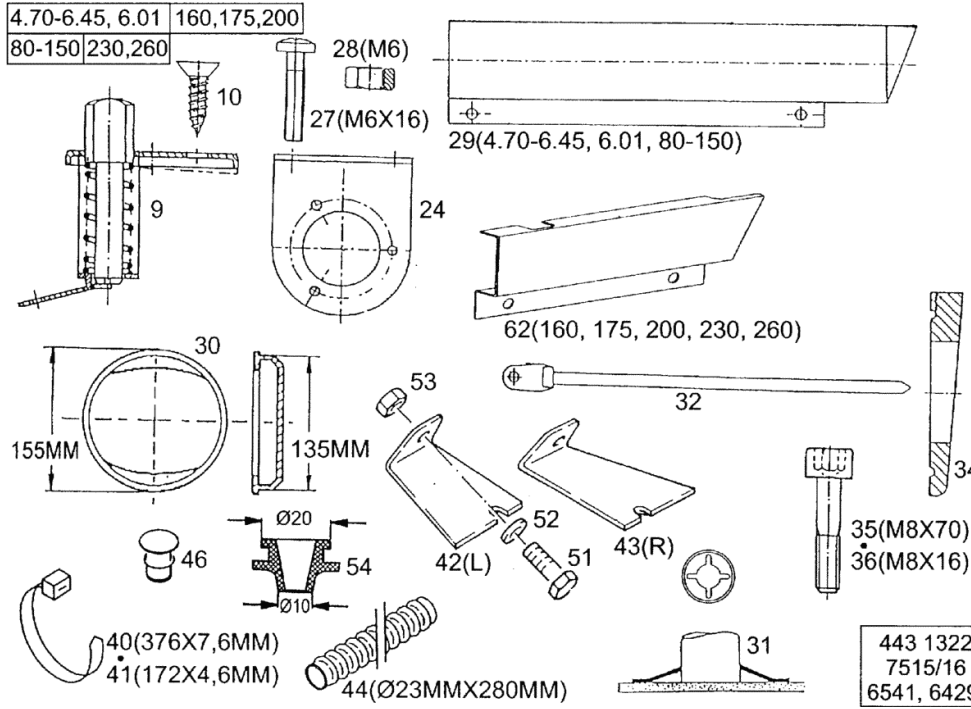
**ELECTRICAL PARTS SET**

Fig.	Code	QTY	Name
9	04414097	1	switch
10	01100751	1	screw 4.2x13 DIN 007982-ST 4,2X13-C-H-A4C
24	04413297	1	console
27	04413811	2	screw m 6 p.1.0 x 16 DIN 007985-M 6X 16-Z1-4.8-H-A 4C-TORX T30
	01112813	2	nut m 6 DIN 000934-M 6 - 8-A4C
29	04415872	1	channel
30	04415896	1	cover
31	04414078	1	nut
32	04413875	1	clamp
34	01136614	2	disc DIN 000434- 9 -A4C
35	01110614	2	screw m8x70 d912 DIN 000912- M 8 X 70 - 8.8-A4 C
36	01102193	2	screw m 8 x 16 DIN 000912- M 8 X 16 - 8.8-A4 C
40	01176280	1	hose clip H 007672-G 700X 7,6
41	01080571	4	band 172X4.6 H 007672-G 172X 4,6
42	04419696	1	lamination sx/lh/li LEFT
43	04419697	1	lamination dx/rh/re RIGHTS
44	04423679	1	tube
46	04424360	2	plug
51	01112418	2	screw m 10 x 25, d933 DIN 000933-M10 X 25 - 8.8-A4C
52	01140501	2	washer 10.5 DIN 000125- 10,5-140HV-A4C
53	01136453	2	nut m 10 DIN 000980-VM10 - 8-A4C GEWAC HST
54	04424188	2	rubber ring 16
62	04426222	1	channel

**DEUTZ FAHR** ELEKTRIK  
ELECTRICITY  
ELECTRICITE  
ELECTRICO

TEILESATZ  
SET OF PARTS  
LOT DE PIECES  
JUEGO DE PIEZAS

2005-49 0504 752528



**CABLE HARNESS FRONT ENGINE**

**DEUTZ FAHR** KABELSATZ VORN MOTOR  
 SET OF WIRING FRONT ENGINE  
 JEU DE CABLES AVANT MOTEUR  
 JUEGO DE CABLES DELANTE MOTOR  
 441 1854/441 2910  
 2001-49 0504 7598

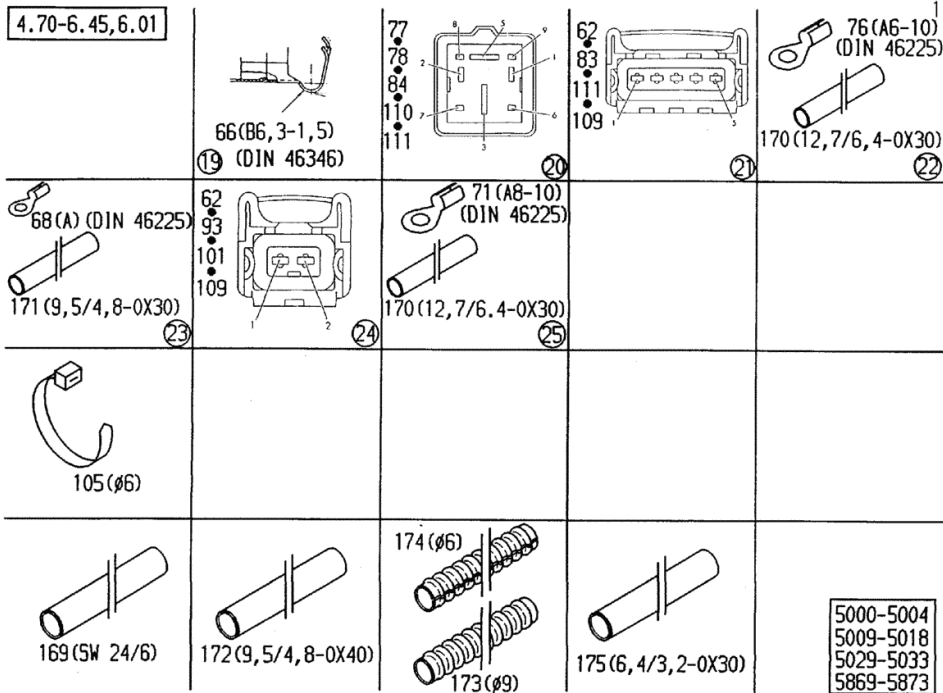


Fig.	Code	QTY	Name
19	05047599	0	cable harness ☞ 18.49.12
20	05047599	0	cable harness ☞ 18.49.12
21	05047599	0	cable harness ☞ 18.49.12
22	05047599	0	cable harness ☞ 18.49.12
23	05047599	0	cable harness ☞ 18.49.12
24	05047599	0	cable harness ☞ 18.49.12
25	05047599	0	cable harness ☞ 18.49.12
62	04190852	4	pin
66	01170021	1	sleeve DIN 046346-B6,3-2,5-BZ
68	04419814	1	cab.terminals
71	01137620	1	cab.terminals DIN 046225-A 8-10
77	04419799	1	pin
78	04413210	1	cap
83	04419804	1	box
84	04403056	1	pin
93	04398876	3	box
101	04419824	4	gasket
105	04419832	1	metal strap
109	04419821	3	bottom
110	04419822	1	gasket
111	04419823	1	gasket
169	04419830	1	flexible hose
170	04419825	4	flexible hose
171	04419826	4	flexible hose
172	04419827	1	flexible hose
173	04419829	1	tube
174	04415587	1	tube
175	04419828	1	flexible hose

**CABLE HARNESS GEARS - POWERSHIFT**

**DEUTZ FAHR** KABELSATZ GETRIEBE -POWERSHIFT-T 7200  
 SET OF WIRING TRANSMISSION  
 JEU DE CABLES BOITE. VIT./ENGREN.  
 JUEGO DE CABLES TRANSMISION

441 1132 2005-49 0504 7384

6.00-6.45 100 2  
 6.01

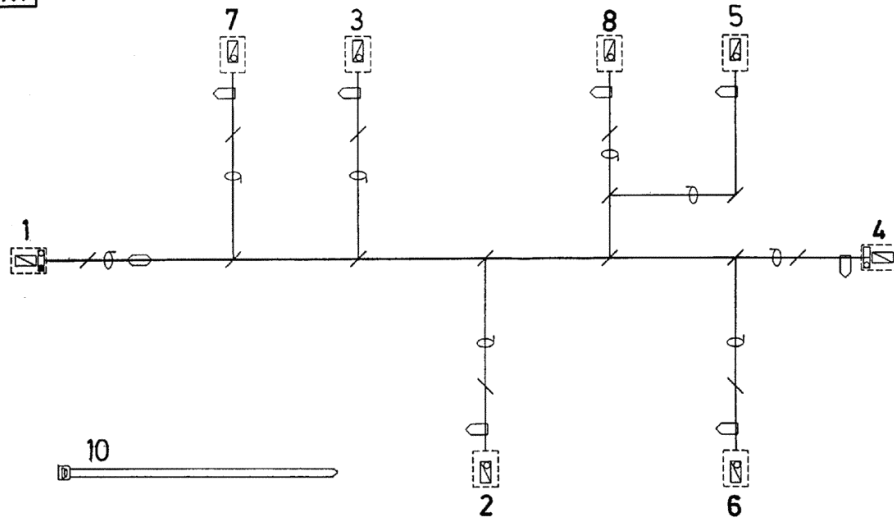
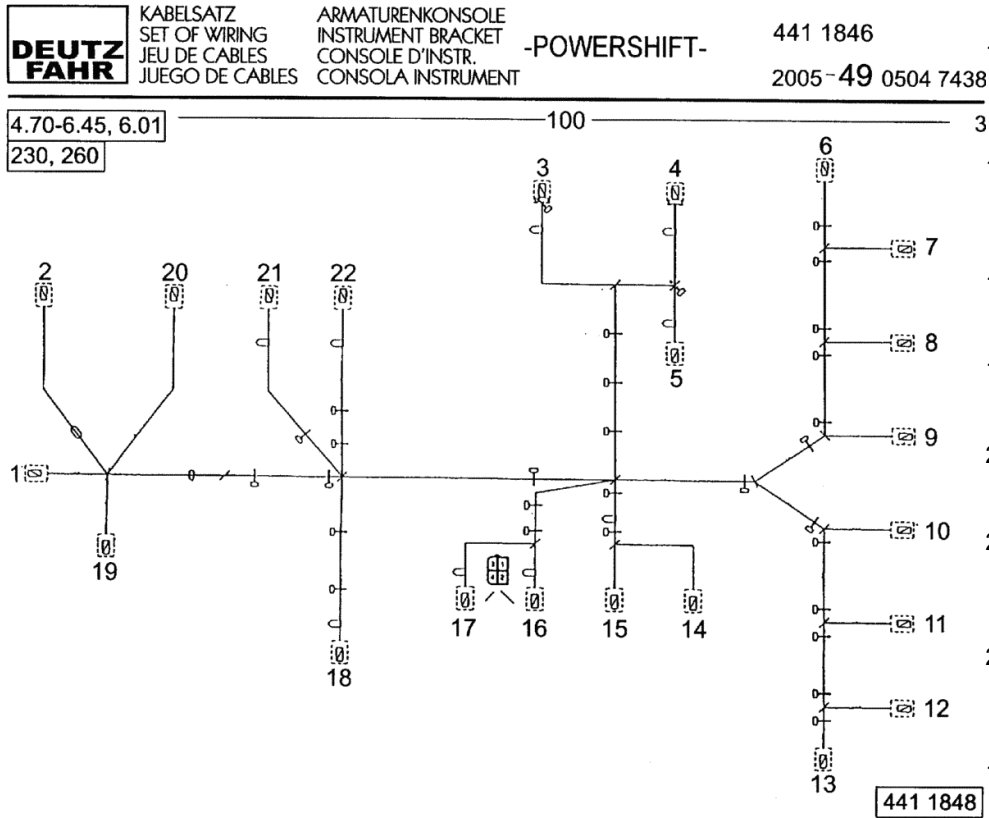


Fig.	Code	QTY	Name
1	05047603	0	cable harness GERMAN - PLUG LS ☞ 18.49.23
2	05047603	0	cable harness TEMPERATURE - SENSOR ☞ 18.49.23
3	05047603	0	cable harness SWITCH NEUTRAL / SYNCHRONOUS ☞ 18.49.23
4	05047603	0	cable harness MAIN VALVE BLOCK ☞ 18.49.23
5	05047603	0	cable harness PRESSURE SWITCH 18 BAR ☞ 18.49.23
6	05047603	0	cable harness SENSOR LS-OUTPUT ☞ 18.49.23
7	05047603	0	cable harness SENSOR ENGINE SPEED ☞ 18.49.23
8	05047603	0	cable harness ADDITIONAL VALVE BLOCK ☞ 18.49.23
10	01176435	8	clamp
100	04422897	1	H 007672-P 160X 4,8 control grp.

**CABLE HARNESS ARMATURE - POWERSHIFT**

Fig.	Code	QTY	Name
14	05047606	0	cable HAND BRAKE ☞ 18.49.31
15	05047606	0	cable HAND BRAKE ☞ 18.49.31
16	05047606	0	cable BRAKE PEDAL RIGHTS ☞ 18.49.31
17	05047606	0	cable BRAKE PEDAL LEFT ☞ 18.49.31
18	05047606	0	cable STARTER SWITCH ☞ 18.49.31
19	05047606	0	cable AS 3 ☞ 18.49.31
20	05047607	0	cable harness AS 6 ☞ 18.49.32
21	05047607	0	cable harness ROTATION ANGLE SENSOR ON THE CLUTCH PEDAL ☞ 18.49.32
22	05047607	0	cable harness PLUNGER-OPERATED SWITCH ON THE CLUTCH ☞ 18.49.32
100	04411846.4	1	cable harness



**CABLE HARNESS ROOF - SYNCHROPLIT - POWERSHIFT - COMPLETE**

Fig.	Code	QTY	Name
29	05047622	0	cable harness ☞ 18.49.37
30	05047622	0	cable harness ☞ 18.49.37
31	05047622	0	cable harness ☞ 18.49.37
32	05047622	0	cable harness ☞ 18.49.37
33	05047622	0	cable harness ☞ 18.49.37

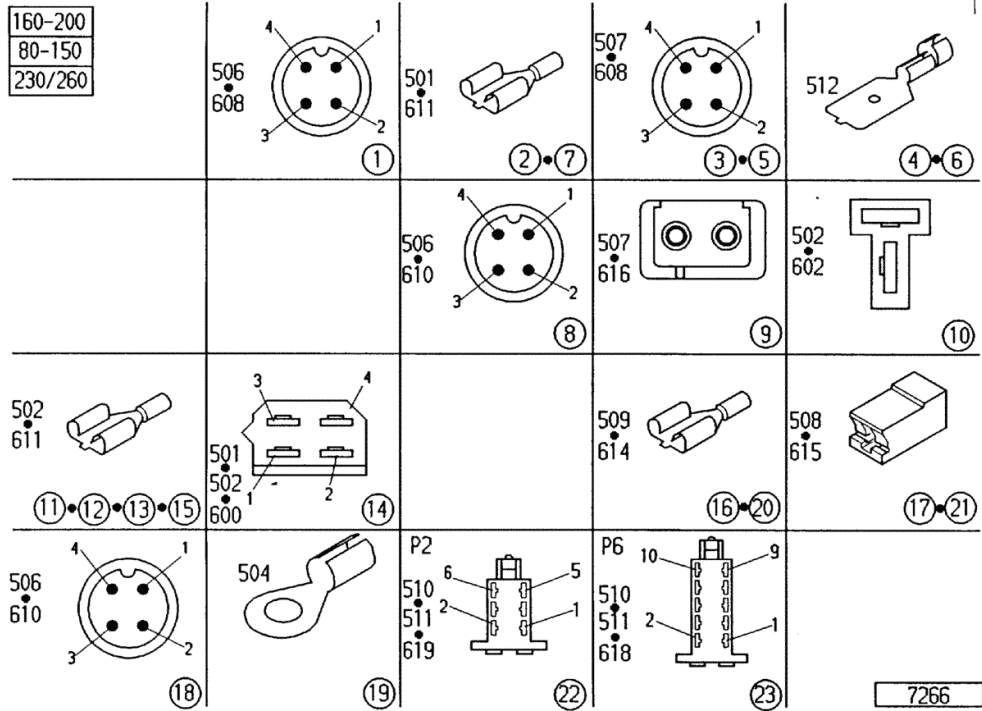
<b>DEUTZ FAHR</b>	KABELSATZ	DACH	-SYNCHROPLIT-		441 3202	← 2/97
	SET OF WIRING	ROOF	-POWERSHIFT-			
	JEU DE CABLES	TOIT	-KOMPLETT-		2005-49	0504 7624
	JUEGO DE CABLES	TEJADO/TECHO				
4.70-6.45,6.01	LAUTSPRECHER	VORN	RECHTS	WISCHER	VORN	2
	LOUDSPEAKER	FRONT	RIGHTHAND	WIPER	FRONT	
	HAUT-PARLEUR	AVANT	DROITE	ESTOMPE	AVANT	
	ALTAVOZ	DELANTE	DERECHA	ESCOBILLON	DELANTE	29 30
RADIO	NACHRUESTSATZ					
RADIO	OPTIONAL EXTRAS					
POSTE TSF	EQUIP ULTERIEUR					
RADIO	JUEGO COMPLEMENT.					31 32 33

5540/41

**CABLE HARNESS ROOF - SYNCROSPLIT - POWERSHIFT**

Fig.	Code	QTY	Name
1	05047810	0	cable harness ☞ 18.49.39
2	05047810	0	cable harness ☞ 18.49.39
3	05047810	0	cable harness ☞ 18.49.39
4	05047810	0	cable harness ☞ 18.49.39
5	05047810	0	cable harness ☞ 18.49.39
6	05047810	0	cable harness ☞ 18.49.39
7	05047810	0	cable harness ☞ 18.49.39
8	05047810	0	cable harness ☞ 18.49.39
9	05047810	0	cable harness ☞ 18.49.39
10	05047810	0	cable harness ☞ 18.49.39
11	05047810	0	cable harness ☞ 18.49.39
12	05047810	0	cable harness ☞ 18.49.39
13	05047810	0	cable harness ☞ 18.49.39
14	05047810	0	cable harness ☞ 18.49.39
15	05047810	0	cable harness ☞ 18.49.39
16	05047810	0	cable harness ☞ 18.49.39
17	05047810	0	cable harness ☞ 18.49.39
18	05047810	0	cable harness ☞ 18.49.39
19	05047810	0	cable harness ☞ 18.49.39
20	05047810	0	cable harness ☞ 18.49.39
21	05047810	0	cable harness ☞ 18.49.39
22	05047810	0	cable harness ☞ 18.49.39

**DEUTZ FAHR** KABELSATZ DACH ROOF SYNCROSPLIT-POWERSHIFT- 442 4191 2005-49 0504 7808  
 SET OF WIRING ROOF TOIT TAJEDO/TECHO  
 JEU DE CABLES TOIT TAJEDO/TECHO  
 JUEGO DE CABLES TAJEDO/TECHO



**CABLE HARNESS CONTROL CONSOLE - AGROTRONIC - HD - POWERSHIFT**

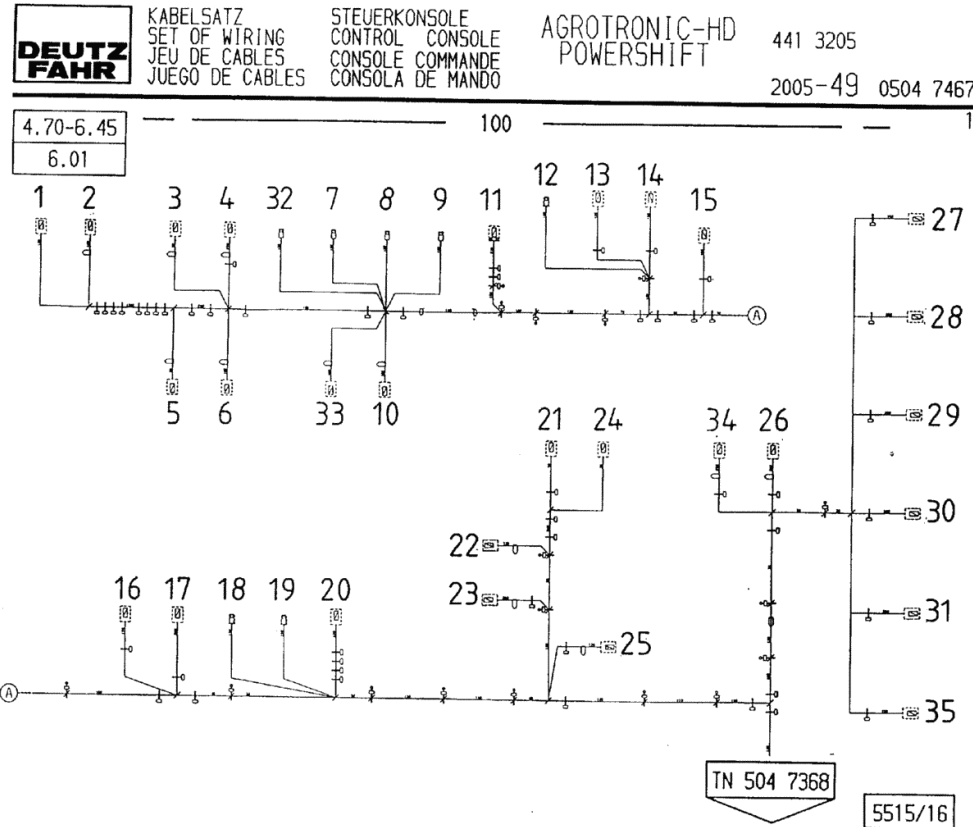
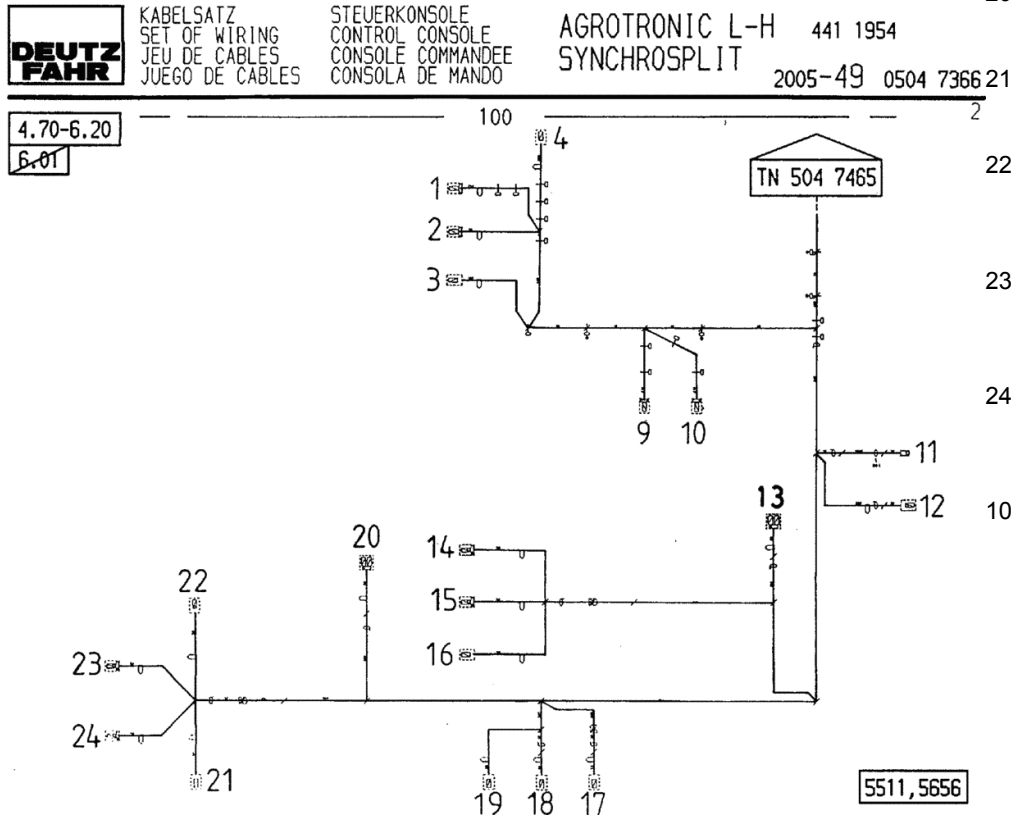


Fig.	Code	QTY	Name
1	05047617	0	cable harness CIGAR LIGHTER LIGHTING ☞ 18.49.55
2	05047617	0	cable harness CIGAR LIGHTER ☞ 18.49.55
3	05047617	0	cable harness HIGH CURRENT SOCKET-OUTLET ☞ 18.49.55
4	05047617	0	cable harness DRIVER'S SEAT ☞ 18.49.55
5	05047617	0	cable harness SIGNAL SOCKET-OUTLET 4 - POLIG ☞ 18.49.55
6	05047617	0	cable harness SIGNAL SOCKET-OUTLET 7 - POLIG ☞ 18.49.55
7	05047617	0	cable harness MASS CAB ☞ 18.49.55
8	05047617	0	cable harness MASS CAB ☞ 18.49.55
9	05047617	0	cable harness MASS CAB ☞ 18.49.55
10	05047617	0	cable harness EHRD + DIAGNOSTICS ☞ 18.49.55
11	05047617	0	cable harness JX1 ☞ 18.49.55
12	05047617	0	cable harness MASS BOARD ☞ 18.49.55
13	05047617	0	cable harness J3 ☞ 18.49.55
14	05047617	0	cable harness J2 ☞ 18.49.55

**CABLE HARNESS CONTROL CONSOLE - AGROTRONIC L-H - SYNCHROSPLIT**

Fig.	Code	QTY	Name
19	05047620	0	☞ 18.49.57 cable harness WASH PUMP REAR
20	05047620	0	☞ 18.49.58 cable harness REAR LIGHT LEFT
	05047620	0	☞ 18.49.58 cable harness LICENCE PLATE LIGHT LEFT
22	05047620	0	☞ 18.49.58 cable harness P.T.O. SHAFT REAR ON THE WING
23	05047620	0	☞ 18.49.58 cable harness REAR PROBE RAISE LEFT
24	05047620	0	☞ 18.49.58 cable harness REAR PROBE LOWER LEFT
100	04411954	1	☞ 18.49.58 cable CABLE HARNESS COMPL.



**CABLE HARNESS CONTROL CONSOLE - AGROTRONIC - HD - SYNCROSPLIT - POWERSHIFT**



KABELSATZ STEUERKONSOLE AGROTRONIC-HD  
 SET OF WIRING CONTROL CONSOLE -SYNCHROSPLIT- 441 1852/440 3205  
 JEU DE CABLES CONSOLE COMMANDE -POWERSHIFT- 441 1954/441 3798  
 JUEGO DE CABLES CONSOLA DE MANDO 2005-49 0504 7616

4.70-6.45,6.01	BEDIENUNGSFELD CONTROL PANEL ①	GEBLAESE SCHALTER BLOWER SWITCH ② SOUFFLANTE COMMUTEUR SOPLADOR INTERRUPTOR	KLIMAAANLAGE AIR CONDIT. PLANT INST. CONDIT. D'AIR INST. ACONDIC. AIRE ③	0 26
ARBEITS-HEBEL ARM PALANCA LEVER/ARM ④	SCHLUPF SCHALTER SWITCH COMMUTEUR INTERRUPTOR ⑤⑥⑦	ASM-BOX JX2 ⑧	GETRIEBE GEAR TRANSMISSION BOITE DE VITESSES TRANSMISION ⑨	STD
MOTOR ENGINE MOTEUR MOTOR ⑩	BATTERIE PLUSPOL BATTERY POSITIVE POLE BATTERIE POLO POSITIVO BATERIA POLE POSITIVO ⑪	HEIZUNG HEATING SYSTEM GEBLAESE CHAUFFAGE CALEFACCION ⑫	SCHLUSSLEUCHE TAIL LIGHT (R) FEU ARRIERE PILOTO TRASERO ⑬	
TASTER RECHTS FEELER RIGHT HAND PALDEUR DROITE PALPADOR DERECHA ⑭	TASTER RECHTS FEELER RIGHT HAND PALDEUR DROITE PALPADOR DERECHA ⑮	KENNZEICHENLEUCHE NUMBER-PLATE LIGHT ECLAIR PLAQUE POL PILOTO D.MATRICULA ⑯	RECHTS RIGHT HAND DROITE DERECHA ⑰	
ANHAENGERSTECKDOSE TRAILER SOCKET PRISE COUR REMOR CAJA ENCHUFE REMOL ⑰	WASSERPUMPE VORN WATER PUMP FRONT POMPE A EAU AVANT BOMBA DE AGUA DELANTE ⑱	WASSERPUMPE HINTEN WATER PUMP REAR POMPE A EAU ARRIERE BOMBA DE AGUA ATRAS ⑲	SCHLUSSLEUCHE TAIL LIGHT (L) FEU ARRIERE PILOTO TRASERO ⑳	
KENNZEICHENLEUCHE NUMBER-PLATE LIGHT ECLAIR PLAQUE POL PILOTO D.MATRICULA	LINKS LEFT HAND GAUCHE IZQUIERDA ㉑	ZAPFWELLE HECK PTO SHAFT REAR PRIESE DE FORCE ARRIERE EJE TOMAS D.FUERZA ATRAS	KOTFLUEGEL MUDGUARD GARDE-BOUE GUARDABARROS ㉒	
TASTER LINKS FEELER LEFT HAND PALDEUR GAUCHE PALPADOR IZQUIERDA ㉓	TASTER LINKS FEELER LEFT HAND PALDEUR GAUCHE PALPADOR IZQUIERDA ㉔	STEUERGERAET CONTROL UNIT DISTRIBUTEUR APARATO DE MANDO ㉕	LS	
MASSEKLEMMEN EARTH TERMINAL BORNE MISE A MASSE PINZA DE MASA LS	STEUERGERAET CONTROL UNIT DISTRIBUTEUR APARATO DE MANDO ㉖	GETRIEBE GEAR TRANSMISSION BOITE DE VITESSES TRANSMISION ㉗	LS	7366-7369

Fig.	Code	QTY	Name
22	05047620	0	cable harness ☞ 18.49.58
23	05047620	0	cable harness ☞ 18.49.58
24	05047620	0	cable harness ☞ 18.49.58
25	05047620	0	cable harness ☞ 18.49.58
26	05047620	0	cable harness ☞ 18.49.58
27	05047620	0	cable harness ☞ 18.49.58

**CABLE HARNESS - AIR CONDITIONING SYSTEM**

Fig.	Code	QTY	Name
1	00000000	0	not serviceable
2	00000000	0	not serviceable
3	00000000	0	not serviceable
4	00000000	0	not serviceable
100	04425166	1	cabla

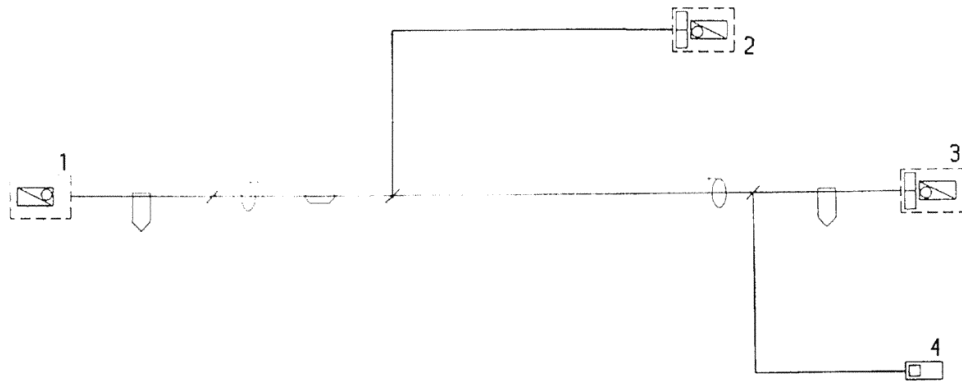
**DEUTZ FAHR** KABELSATZ KLIMAANLAGE  
 SET OF WIRING AIR CONDIT. PLANT  
 JEU DE CABLES INST. CONDIT. D'AIR  
 JUEGO DE CABLES INST. ACONDIC. AIRE

442 5166 1/97 2005-49 0504 7761

---

4.70-6.45,6.01 100 0

80-150



7253-7257

**ELECTR. EQUIPMENT - SPRUNG FRONT AXLE - BODY GROUP**

Fig.	Code	QTY	Name
2	01172065	3	clamp 4.6 x 146 H 007672-G 146X 4,6
3	04418659	4	terminal 12x10 H 003270-ZKH-1-12X10-PA
4	01180439	2	terminal H 003270-ZKH-1-12X12-PA
5	01213265	1	clamp H 003223-B12X15-W1/CR70-10
6	01110519	3	screw DIN 000912- M 6 X 22 - 8.8-A4 C
7	01127079	3	nut m 6 ISO 004032-M 6 -10-A4C
8	04423380	2	clamp



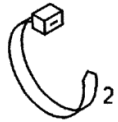
ELEKTR. AUSRÜSTUNG  
ELECTR. EQUIPMENT  
EQUIPEMENT ELECTR.  
EQUIPO ELECTRICO

GEFEDERTE VORDERACHSE  
SUSPENDED FRONT AXLE  
SUSPENSION AVANTEUX  
SUSPENSION DELANTERA

RUMPFGRUPPE  
CORE ASSEMBLY  
GROUPE CENTRAL  
GRUPO CENTRAL

2006-49 0504 7745

6.00-6.45 6.01



2



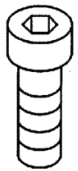
3 (12X10)



4 (12X12)



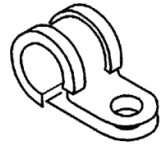
5 (12X15)



6 (M6X22)



7 (M6)



8 (Ø10)

442 2919

6418-6420/6536

Section: ELECTRIC AL SYSTEM  
**CABLE HARNESS TAIL LIGHT**

**DEUTZ FAHR** KABELSATZ  
 SET OF WIRING  
 JEU DE CABLES  
 JUEGO DE CABLES

SCHLUSSLEUCHTE  
 TAIL LIGHT  
 FEU ARRIERE  
 PILOTO TRASERO

441 3799

← 2/97

2005-49 0504 7474

4.70-6.45,6.01

100

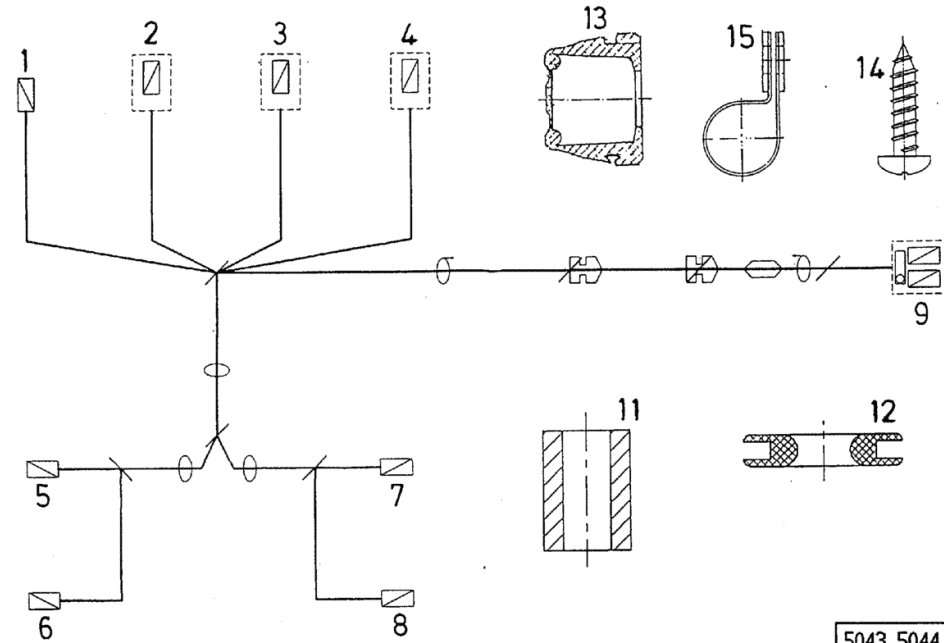


Fig.	Code	QTY	Name
1	00000000	0	not serviceable
2	00000000	0	not serviceable
3	00000000	0	not serviceable
4	00000000	0	not serviceable
5	00000000	0	not serviceable
6	00000000	0	not serviceable
7	00000000	0	not serviceable
8	00000000	0	not serviceable
9	00000000	0	not serviceable
11	04418385	1	rubber sleeve
12	04418830	1	sleeve
13	01173336	1	rubber bushing
14	01179244	1	screw H 002928-N 7-10 CR-SW
15	04418395	1	clamp H 002093- 7981-ST4,2X16 -C -H
100	04413799	1	100 cable CABLE HARNESS COMPL.

5043, 5044

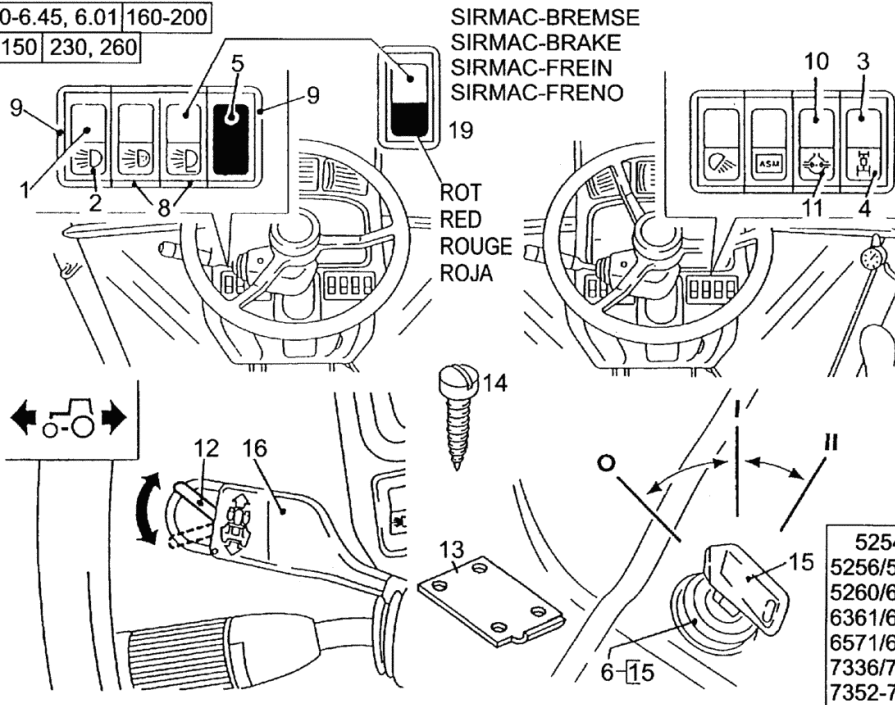
**ELECTR. EQUIPMENT - DASHBOARD CONSOLE**

Fig.	Code	QTY	Name
1	04411497	1	switch
2	04411502	1	hose clip
3	04411496.4	1	switch
4	04414775	1	warning light
5	04402859	3	canopy
6	04411512.4	1	start device
8	04413214	4	shim
	04413215	4	extension
10	04411498	1	switch
11	04414776	1	warning light
15	04418435	1	key
19	04422350.4	1	warning light

**DEUTZ FAHR** ELEKTR. AUSRÜSTUNG ARMATURENKONSOLE  
 ELECTR. EQUIPMENT INSTRUMENT BRACKET  
 EQUIPEMENT ELECTR. CONSOLE D' INSTR.  
 EQUIPO ELECTRICO CONSOLA INSTRUMENT

2005-49 0504 74379

4.70-6.45, 6.01|160-200  
 80-150|230, 260



Section: ELECTRIC AL SYSTEM  
**SCREEN WASHER UNIT REAR**

**DEUTZ FAHR** SCHEIBENWASCHANLAGE HINTEN  
 WINDSCREEN WASHER REAR  
 LAVE-GLACE ARRIERE  
 SIST. LAVAPARABRIS. ATRAS

2005-49 0504 7524

4.70-6.45,6.01|80-150  
 160-200|230/260

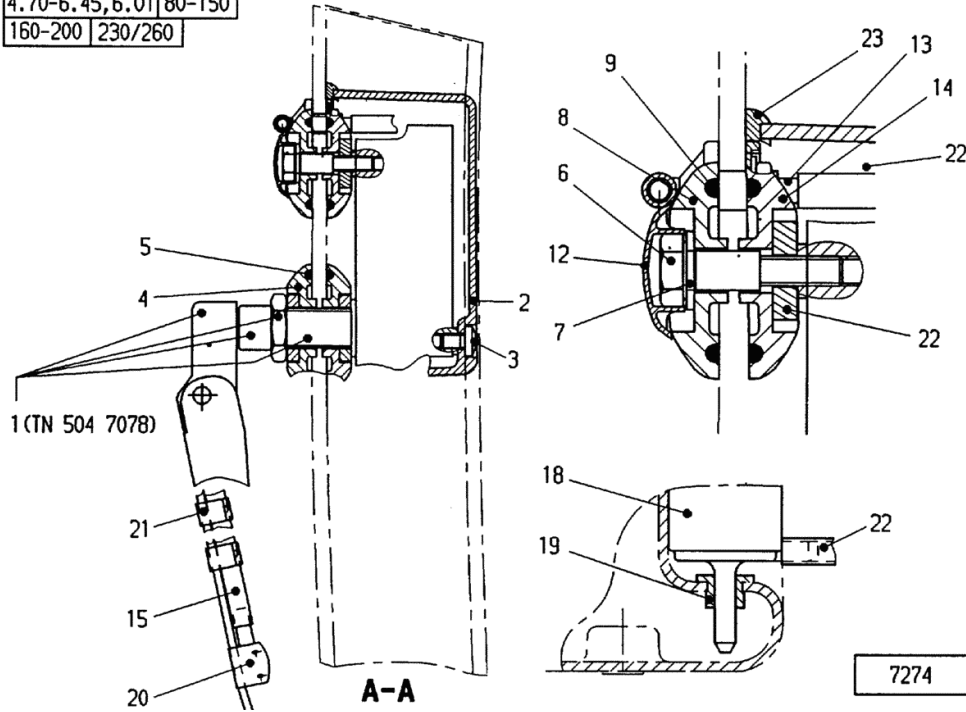


Fig.	Code	QTY	Name
1	05047078	0	windscreen wiper ☞ 18.49.98
2	04412044	1	cover
3	04415861	2	screw DIN 007985-M 6X 16 -H-A4C TOR X T30
4	04413223	2	washer
5	01166059	2	'o' ring 40x3 H 002927- 40 X 3 -NBR-1-60
6	04413809	1	screw
7	01151019	1	washer 8.4 DIN 000125- 8,4-200HV
8	04411716	2	washer
9	01166042	2	ring H 002927- 30 X 3 -NBR-1-60
11	04413808	1	washer 6.5x20x5
12	04413793	1	cap
13	04413182	1	tongue
14	04414587	1	disc
15	04423678	1	flexible hose
18	04414105	1	electropump
19	04424188	1	rubber ring 16
20	04413183	1	cooling nozze
21	04413184	3	brace
22	01396853	1	flexible hose H 847380-08- 4,6X1,5 -PVC-GLA CLEAR
23	04414610	1	gasket

**TOP SPOTLIGHT LEFT TRAFFIC - WORKING SPOTLIGHT**

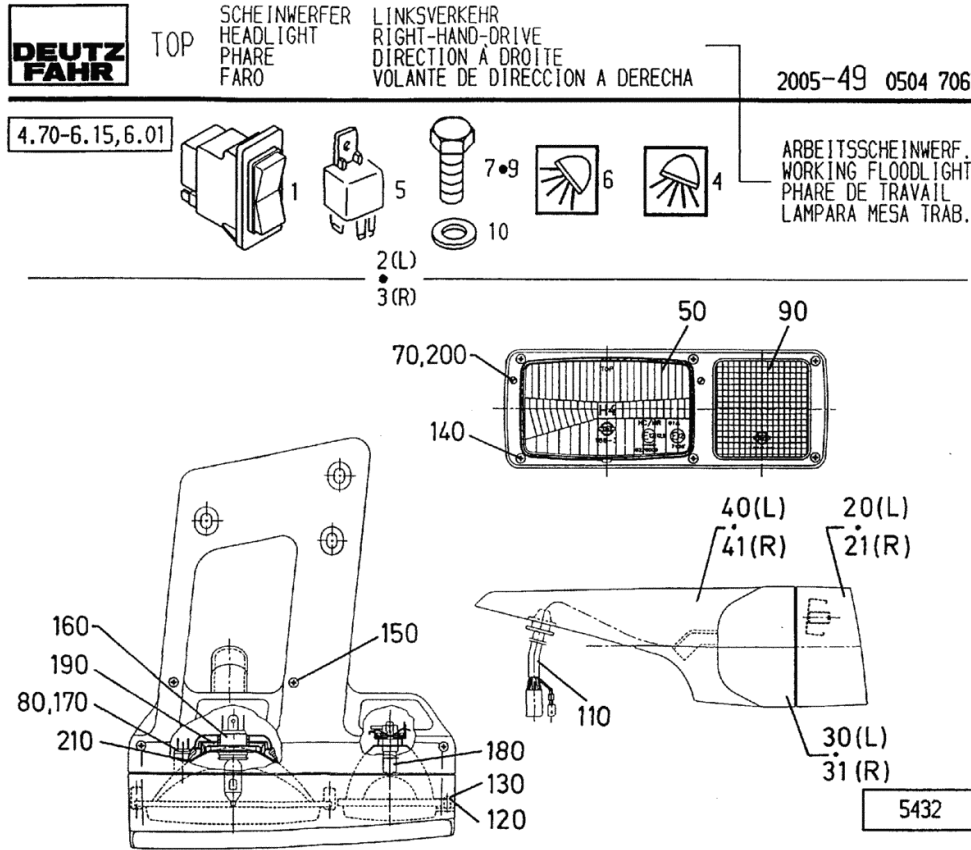


Fig.	Code	QTY	Name
1	04411496.4	2	switch
2	04411950	1	headlight
3	04411951	1	headlight
4	04411503	1	plate
5	04411492	1	relay 40 A
6	04411506	1	warning light
7	04419390	2	screw
9	01139688	4	screw DIN 000933-M 6 X 30 Z1-ST- 8. 8-A4C
10	01172636	2	'o' ring H 002914- 6
20	04416630	1	shield sx/lh/li
21	04416644	1	shield dx/rh/re
30	04416631	1	body sx/lh/li
31	04416645	1	body dx/rh/re
40	04416632	1	lamp holder sx/lh/li
41	04416646	1	body dx/rh/re
50	04416723	1	lamp
70	04416634	2	register
80	04416710	1	socket
90	04416635	1	glass
110	04416636	1	cable
120	04416642	3	shim
130	04416637	3	screw
140	04416638	6	screw
150	04416639	4	screw
160	01172300	1	lamp 12V 60/55W H 007645-H 4 12V 60/55W
170	01121426	1	lamp 12v 4w DIN 072601-T 8/ 4-12V 4 W
180	01102258	1	lamp H3 DIN 072601-YC 12V 55 W
190	04413731	1	lock
200	04416643	2	spring
210	04416712	1	cover

**BEARER PLATE - PANELLING**

Fig.	Code	QTY	Name
3	04413186	1	guard sx/lh/li
4	04413187	1	guard sx/lh/li
5	04413188	1	guard dx/rh/re
6	04413189	1	guard dx/rh/re
7	04413190	2	diaphragm
8	04414580	6	screw m 8 x 30 DIN 007985-M 8X 30 - 4.8-H-A4 C-TORX T40

**DEUTZ  
FAHR**

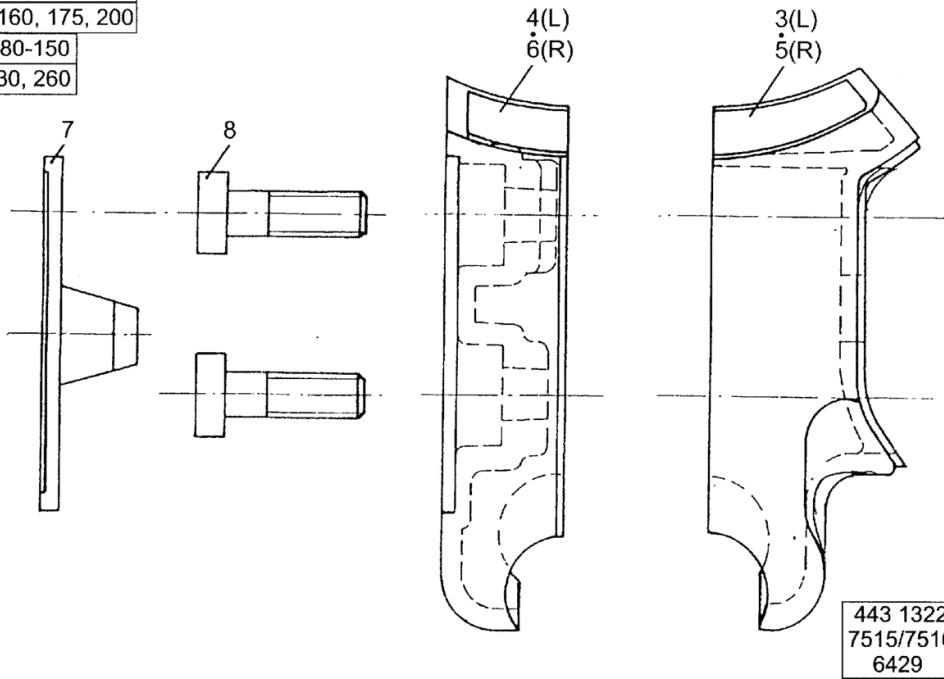
TRAEGERPLATTE  
SUPPORT PLATE  
PLAQUE D' APPUI  
PLACA SOPORTE

VERKLEIDUNG  
SHEETING/PANELLING  
HABILLAGE  
REVESTIMENTO

2005-49 0504 7520

4.70-6.45, 6.01  
160, 175, 200  
80-150  
230, 260

3



FASTENINGS.....	11.27.3
FASTENINGS.....	11.27.4
INLET MANIFOLD.....	11.27.5
INLET MANIFOLD.....	11.27.6
CONTROL ROD.....	11.27.7
CONTROL ROD.....	11.27.8
INTERMEDIATE GEAR.....	11.27.9
<b>Cooling water pump</b>	
COOLING WATER PUMP.....	11.37.1
FASTENINGS.....	11.37.2
DRIVING PARTS.....	11.37.3
COOLANT PIPE.....	11.37.4
<b>Water pipes</b>	
THERMOSTAT.....	11.38.1
THERMOSTAT.....	11.38.2
BLEED SCREW.....	11.38.3
CONNECTION.....	11.38.4
<b>Cooling air blower</b>	
FAN SUPPORT.....	11.39.1
ADAPTER.....	11.39.2
FASTENINGS.....	11.39.3
V-GROOVED PULLEY.....	11.39.4
NARROW V-BELT.....	11.39.5
<b>Exhaust manifold</b>	
EXHAUST PIPE.....	11.41.1
<b>Turbocharger</b>	
TURBOCHARGER.....	11.43.1
FASTENINGS.....	11.43.2
RETURN LINE.....	11.43.3
BLANKING PARTS.....	11.43.4
BLANKING PARTS.....	11.43.5
OIL LUBRICATION PIPE.....	11.43.6
<b>Generator, Startet motor</b>	
GENERATOR.....	11.44.1
GENERATOR COMPONENT PARTS.....	11.44.2
ACCESSORIES.....	11.44.3
DRIVING PARTS.....	11.44.4
STARTER.....	11.44.5
FASTENINGS.....	11.44.6
<b>Engine mounting</b>	
ACCESSORIES.....	11.46.1
SUPPORT.....	11.46.2
SUPPORT.....	11.46.3
<b>Engine mounting</b>	

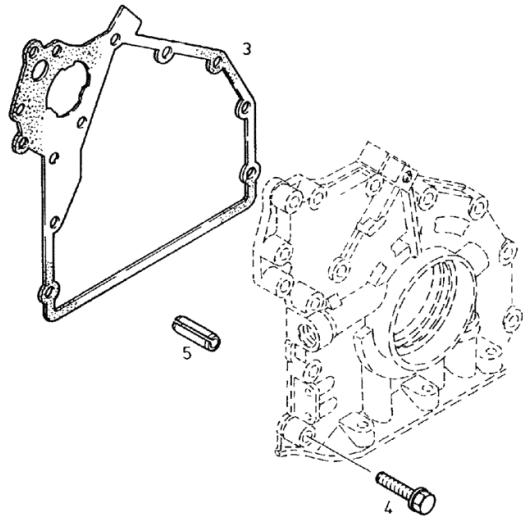
Section: ENGINE  
**FASTENINGS**

Fig.	Code	QTY	Name
3	04801195	1	gasket
4	01143362	12	screw H 002008-F-M 8 X 35- 10.9-A4C
5	01179794	1	sleeve H 002341-B11X 8



Befestigungsteile  
 Fastenings  
 Pieces de fixation  
 Piezas de fijación

0130-01-0507 0272



Section: ENGINE  
**ACCESSORIES**

Fig.	Code	QTY	Name
1	01136432	1	ball bearing DIN 000625- 6304-2RS 1

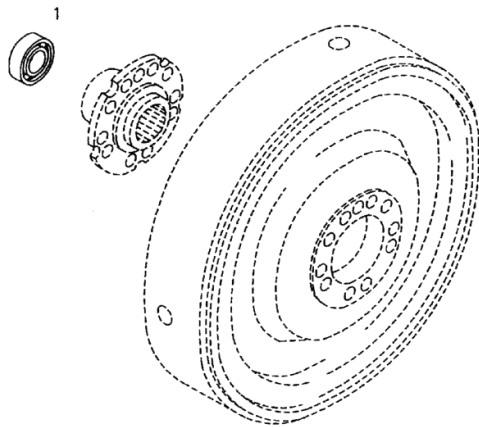


Anbauteile  
 Accessories  
 Accessoires  
 Piezas de montaje

Referenznr.:

0130 -05- 0507 1249

000



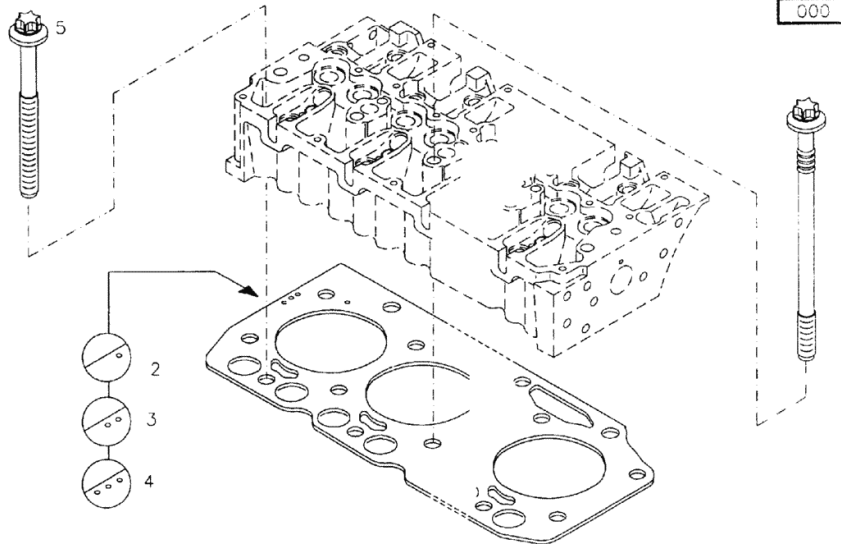
Section: ENGINE  
**FASTENINGS**

Fig.	Code	QTY	Name
1	04800449	7	screw
2	04800357	1	gasket ....MM THICK 1,4
3	04800358	1	gasket ....MM THICK 1,5
4	04800359	1	gasket ....MM THICK 1,6
5	04800448	19	screw
6	01167270	2	sleeve H 002341-B15X18



Befestigungsteile  
 Fastenings  
 Pieces de fixation  
 Piezas de sujeción

Referenznr.: 05070004  
 0130 -08- 0507 0368



Section: ENGINE  
**ROCKER ARM BRACKET**

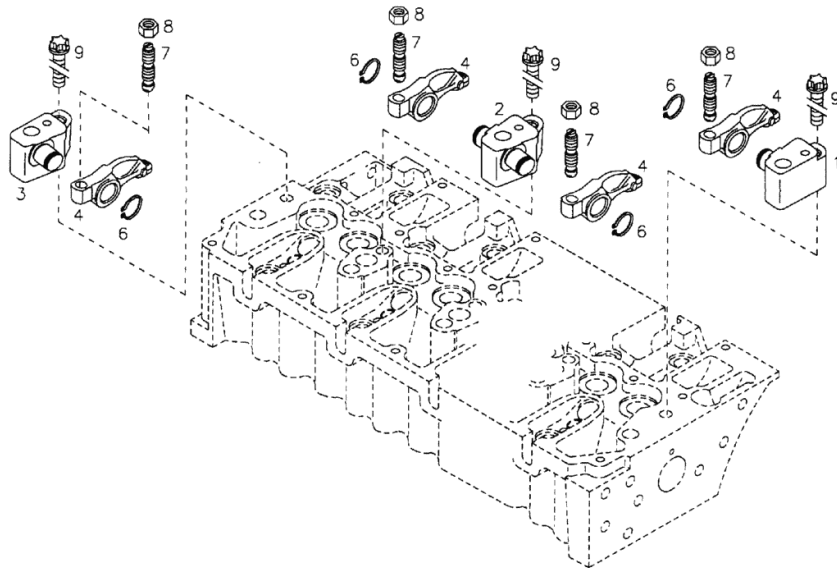
Fig.	Code	QTY	Name
1	04800349	1	support
2	04800347	5	support
3	04800348	1	support
4	04801099	12	rocker
6	01107731	12	circlip
7	03365861	12	register
8	02109637	12	nut
9	01179601	7	screw
			H 002032-HBM 8X 45- 8.8



Kipphebelbock  
 Rocker arm bracket  
 Support de l'axe  
 Caballete de balancin

Referenznr.:  
 0130 -11- 0507 2232

000



Section: ENGINE  
**FUEL INJECT. PUMP**

Fig.	Code	QTY	Name
1	04800080	1	injector pump WITH ITEM .... (10,15)
10	04800046	3	ring
15	04800047	2	ring

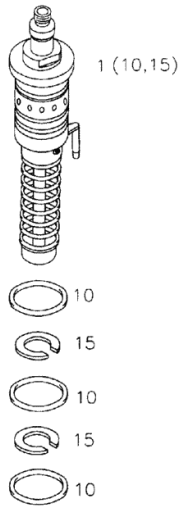


Einspritzpumpe  
 Fuel injection pump  
 Pompe d'injection  
 Bomba de inyección

Referenznr.:

0130 -17- 0507 1777

002



Section: ENGINE  
**FUEL FEED PUMP**

Fig.	Code	QTY	Name
1	04801613	1	pump
2	04801612	1	bracket
3	01110576	2	screw DIN 000912- M 8 X 25 - 8.8
4	01107283	2	washer 8.2 DIN 000137-B 8-FST-A4C

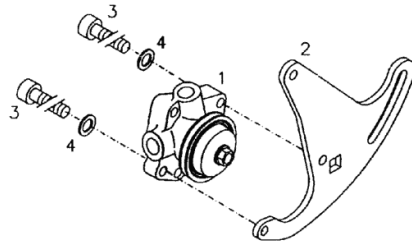


Kraftstoff-Förderpumpe  
 Fuel supply pump  
 Pompe d'alimentation de combustible  
 Bomba de alimentación de combustible

Referenznr.: 05071032

0130 -20- 0507 1683

001



CLICK HERE TO **DOWNLOAD** THE COMPLETE MANUAL

- Thank you very much for reading the preview of the manual.
- You can download the complete manual from: [www.heydownloads.com](http://www.heydownloads.com) by clicking the link below



- Please note: If there is no response to CLICKING the link, please download this PDF first and then click on it.

CLICK HERE TO **DOWNLOAD** THE COMPLETE MANUAL

Section: ENGINE  
**BLANKING PARTS**

Fig.	Code	QTY	Name
1	01100371	1	screw DIN 007604-AM10X1 -ST-A4C
2	01118659	1	'o' ring DIN 007603-A 10 X 13,5-CU

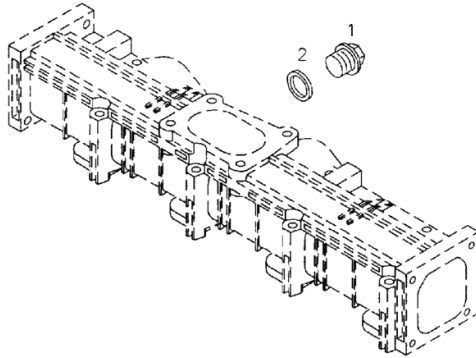


Verschluss-teile  
 Blanking parts  
 Obturateurs  
 Piezas de cierre

Referenznr.:

0130 -22- 0507 0332

000



Section: ENGINE  
CONTROL ROD

Fig.	Code	QTY	Name
1	04803264	1	rod WITH ITEM .... (2-5)
2	04800396	1	bushing
3	04170886	1	spring
4	04800397	1	washer
5	01115451	1	stop ISO 008752- 6 X 20
6	01180208	1	screw H 002008-F-M 8 X 20-LG 2,5-10 .9-OIL SPEED
187	01009893	1	guard H 000699-DEUTZ DW 71- 50 ML

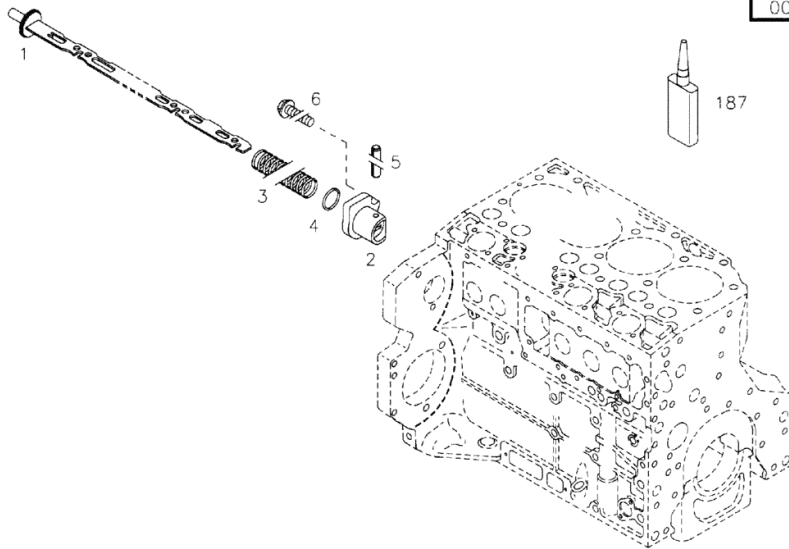


Regelstange  
Control rod  
Tige de regulage  
Barra de regulación

Referenznr.: 05070525

0130 -27- 0507 0406

001



Section: ENGINE  
**FAN SUPPORT**

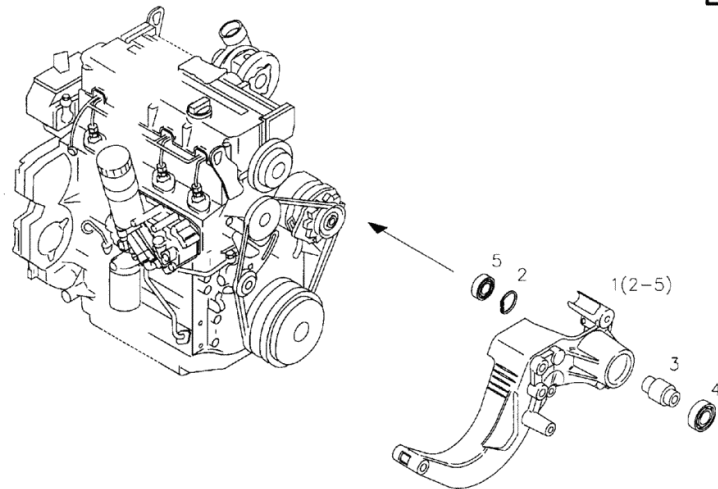
Fig.	Code	QTY	Name
1	04801920	1	support WITH ITEM .... (2-5)
2	01107838	1	circlip DIN 000472- 52X2
3	04801921	1	shaft
4	01179116	1	bearing 6305 2rs c3 H 004461-63 05-2RS-C3
5	01179676	1	bearing H 004461-62 05-2RS-C3



Lüfterlagerung  
 Fan support  
 Support de ventilateur  
 Apoyo de ventilador

Referenznr.:  
 0130 -39- 0507 1236

003



Section: ENGINE  
**BLANKING PARTS**

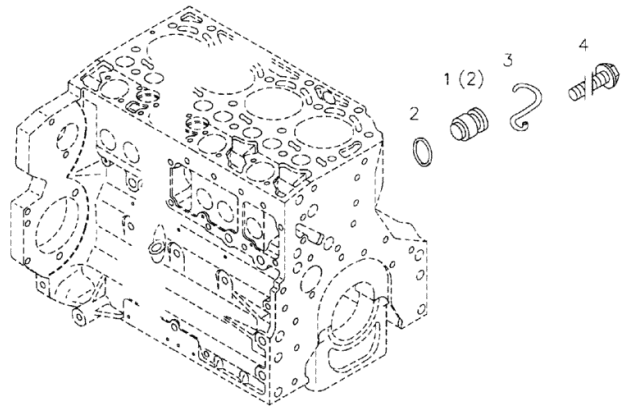
Fig.	Code	QTY	Name
1	04801915	1	bottom WITH ITEM .... (2)
2	01179277	1	ring H 002927- 22 X 3,5 -MVQ-1-70
3	04800706	1	bracket
4	01143382	1	screw H 002008-F-M 8 X 12-LG 2,5-10 .9-A4C



Verschluss-  
 Blanking parts  
 Obturateurs  
 Piezas de cierre

Referenznr.:  
 0130 -43- 0507 1234

000



Section: ENGINE  
**SUPPORT**

Fig.	Code	QTY	Name
1	04801762	1	consolle

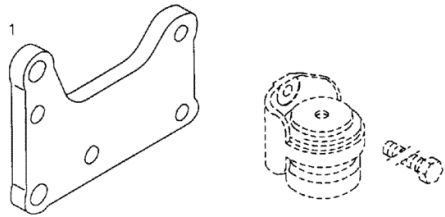


Halter  
 Bracket  
 Support  
 Soporte

Referenznr.:

0130 -46- 0507 1838

001



Section: ENGINE

**BUSH**

Fig.	Code	QTY	Name
1	04801821	2	bushing

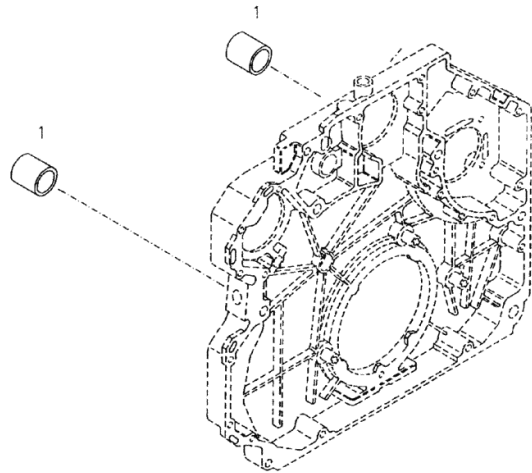


Buchse  
Bush  
Douille  
Cesquillo

Referenznr.:

0130 -52- 0507 1202

000



Section: ENGINE  
**BLANKING PARTS**

Fig.	Code	QTY	Name
1	01165839	1	stop H 000711-B50
2	01118659	2	'o' ring DIN 007603-A 10 X 13,5-CU
3	01215567	2	screw
187	01009893	1	guard H 000699-DEUTZ DW 71- 50 ML

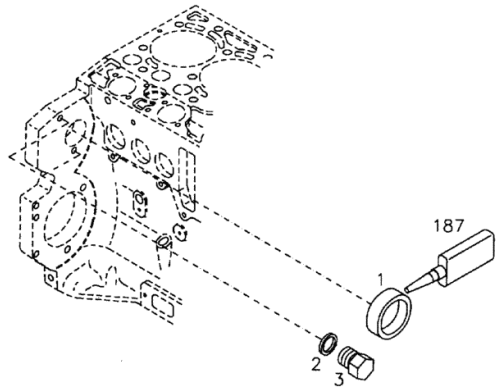


Verschluss-teile  
 Blanking parts  
 Obturateurs  
 Piezas de cierre

Referenznr.:

0130 -83- 0507 0067

002



**CARDAN SHAFT PROTECTION - DRIVEN STEERING AXLE - SPRUNG FRONT AXLE**

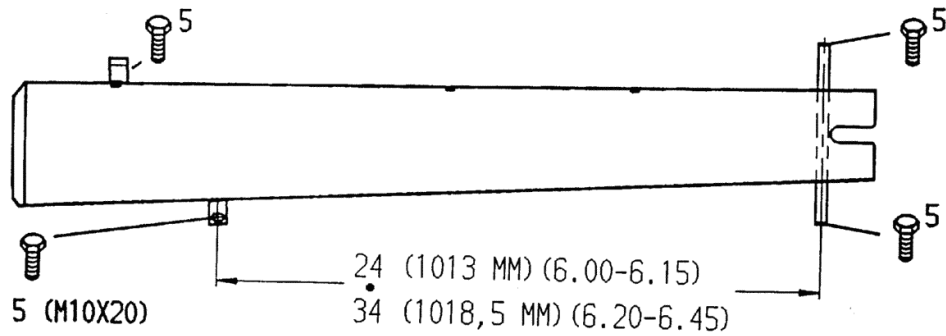
Fig.	Code	QTY	Name
5	01139692	4	screw m 10 x 20 DIN 000933-M10 X 20Z1 ST- 8.8
24	04419896	1	small sump
34	04419897	1	small sump



GELENKWELLENSCHUTZ GETR. LENKACHSE GEFEDERTE VORDERACHSE  
 SHAFT PROTECTION DRIVEN AXLE SUSPENDED FRONT AXLE  
 GARDE ARBRE CARDAN ESSIEU DIRECTEUR SUSPENSION AVANTEUX  
 PROTECCION CARDAN EJE MOTRIZ SUSPENSION DELANTERA 2006-21 0504 7611

6.00-6.45 | 6.01

2



6423, 6424

**DRIVEN FRONT AXLE**

Fig.	Code	QTY	Name
420	04415391	1	ring 47 x 5.33
440	04415392	1	piston
450	04415393	1	bearing
460	04415394	1	sleeve
470	04415395	2	spring
480	04415396	1	shim
900	04415332	1	washer mm 1.55 S = 1.55 MM
2901	04415333	1	washer mm 1.6 S = 1.60 MM
902	04415334	1	washer mm 1.65 S = 1.65 MM
903	04415338	1	washer mm 1.7 S = 1.70 MM
904	04415339	1	washer mm 1.75 S = 1.75 MM
905	04415340	1	washer mm 1.8 S = 1.80 MM
906	04415341	1	washer mm 1.85 S = 1.85 MM
907	04415342	1	washer mm 1.9 S = 1.90 MM
908	04415343	1	washer mm 1.95 S = 1.95 MM
909	04415344	1	washer mm 1.00 S = 1.0 MM
910	04415345	1	washer mm 1.05 S = 1.05 MM
911	04415346	1	washer mm 1.1 S = 1.1 MM
912	04415347	1	washer mm 1.15 S = 1.15 MM
913	04415348	1	washer mm 1.2 S = 1.2 MM
914	04415349	1	washer mm 1.25 S = 1.25 MM
915	04415350	1	washer mm 1.3 S = 1.3 MM
916	04415351	1	washer mm 1.35 S = 1.35 MM
917	04415352	1	washer mm 1.4 S = 1.4 MM
918	04415353	1	washer mm 1.45 S = 1.45 MM

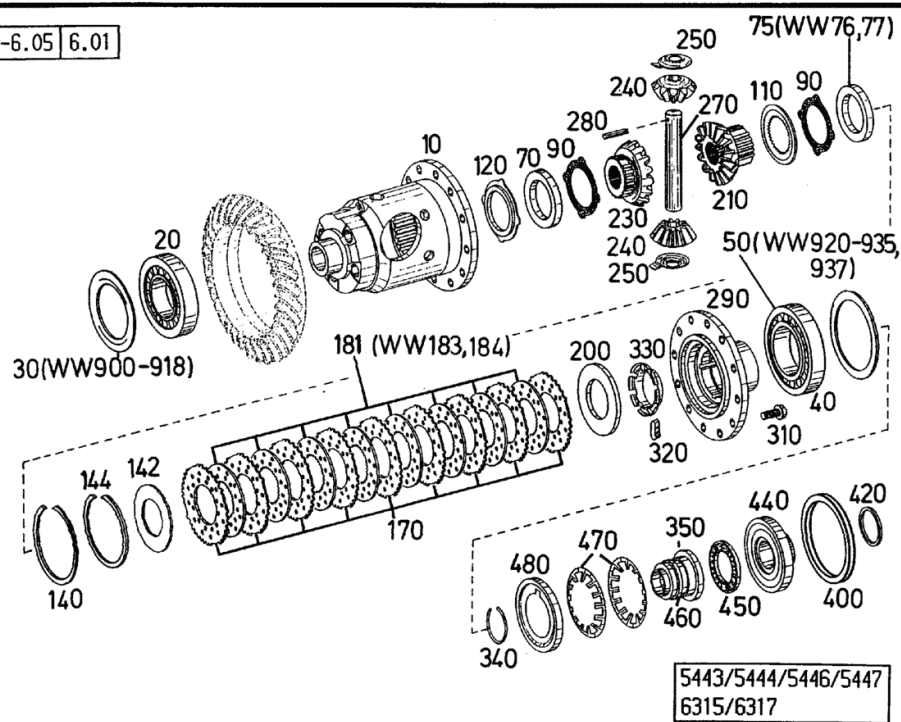


GETR. LENKACHSE  
DRIVEN AXLE  
ESSEU DIRECTEUR  
EJE MOTRIZ

APL 2025/35

2006-28 0504 7023

4.70-6.05 | 6.01



**DRIVEN STEERING AXLE - SPRUNG FRONT AXLE**

Fig.	Code	QTY	Name
1	04419854	1	front axle
2	04419855	1	front axle
3	04419856	1	front axle
4	04419857	1	front axle



GETR. LENKACHSE    GEFEDERTE VORDERACHSE  
 DRIVEN AXLE        SUSPENDED FRONT AXLE  
 ESSIEU DIRECTEUR    SUSPENSION AVANTEUX  
 EJE MOTRIZ            SUSPENSION DELANTERA

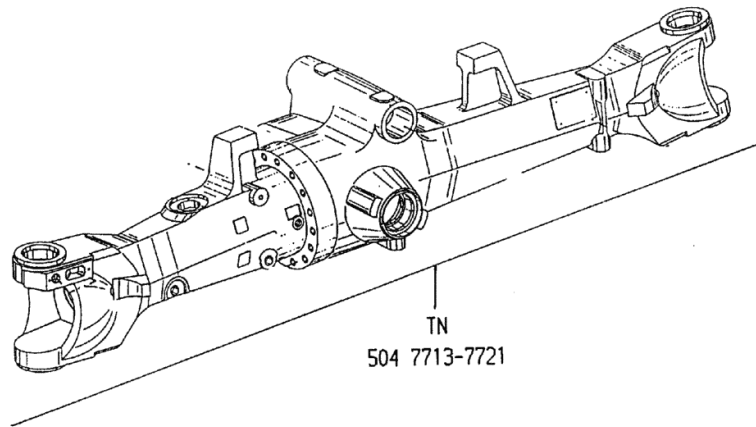
APL 2035/45

2006-28 0504 7712

2

6.00-6.45 6.01

- 1 (2035, LSD 100%, 6.00, 6.05)
- 2 (2035, LSD 100%, ASM, 6.00, 6.05)
- 3 (2045, LSD 100%, 6.15-6.45)
- 4 (2045, LSD 100%, ASM, 6.15-6.45)



6396-6401

**DRIVEN STEERING AXLE - SPRUNG FRONT AXLE**



GETR. LENKACHSE  
DRIVEN AXLE  
ESSIEU DIRECTEUR  
EJE MOTRIZ

GEFEDERTE VORDERACHSE  
SUSPENDED FRONT AXLE  
SUSPENSION AVANTEUX  
SUSPENSION DELANTERA

APL 2025/35

2006-28 0504 7718

6.00, 6.05 6.01

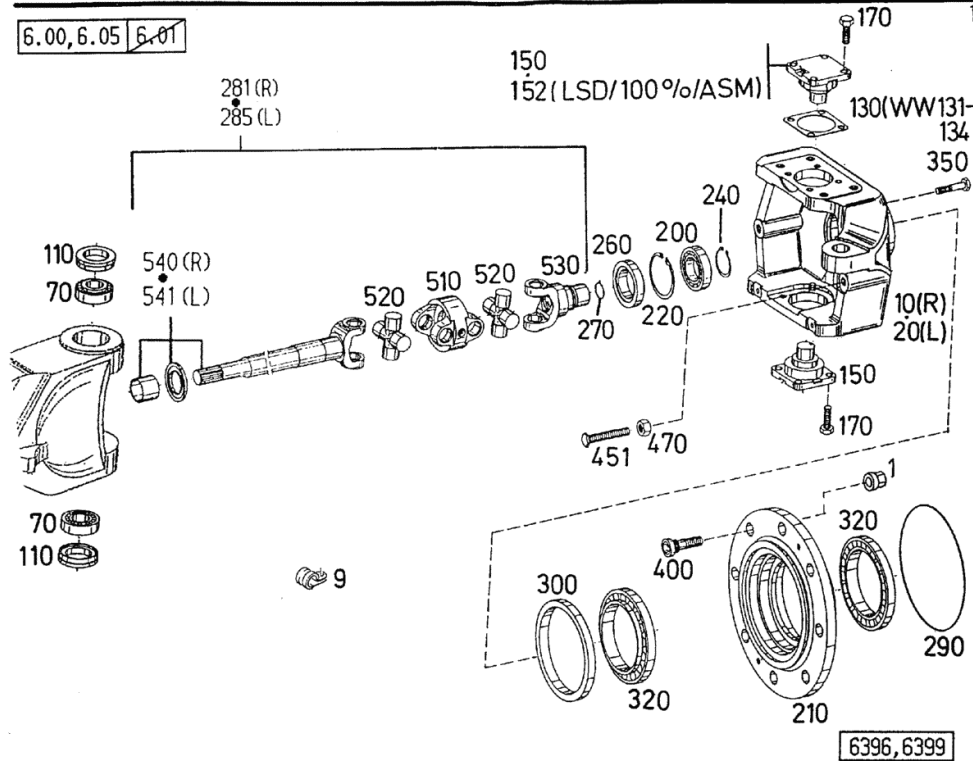


Fig.	Code	QTY	Name
1	01104070	16	nut m 20 p.1.5 DIN 074361-A20 -10-A4C
9	04423380	1	clamp
10	04415062	1	body dx/rh/re
20	04415063	1	body sx/lh/li
70	01175920	4	roller bearing H 004465-KR 30,162X 64,292X21 ,433
110	04415091	4	ring
130	04415106	0	shim A = 0.2 S = 0.2 MM
131	04415107	0	shim A = 0.3 S = 0.3 MM
132	04415108	0	shim A = 1.0 S = 1.0 MM
133	04415109	0	shim A = 1.6 S = 1.6 MM
134	04415110	0	shim A = 2.0 S = 2.0 MM
150	04415055	4	pin
152	04415066	1	pin
170	01143507	16	screw DIN 000933-M12 X 30 - 10.9-OE LGESCHW
200	04415093	2	ball bearing
210	04415067	2	hub
220	01107852	2	ring DIN 000472- 75X2,5
240	01107760	2	circlip 45x1.75 DIN 000471- 45X1,75
260	04415094	2	ring
270	04415095	2	circlip
281	04415104.4	1	half-shaft dx/rh/re
285	04415105.4	1	half-shaft sx/lh/li
290	01166191	2	ring H 002927-200 X 3 -NBR-1-60
300	04415098	2	ring
320	04415099	4	roller bearing
350	04415100	16	screw m 10 p.1.5 x 45
400	04423357	16	screw
451	0.010.3421.2	2	screw m 14x1.5
470	01127089	4	nut DIN 000934-M14 X1,5 -10-OELGE SCHW

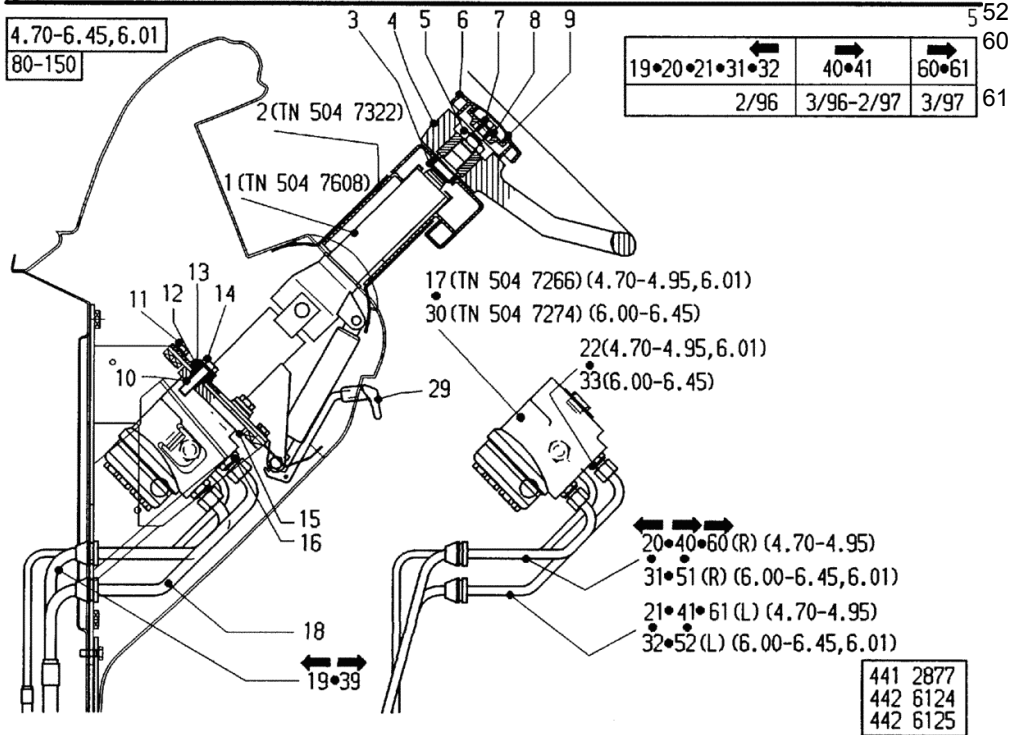
**STEERING - ADJUSTABLE**

Fig.	Code	QTY	Name
33	01180558	2	pipe fitting M 16X1.5X10 H 003132-EM16X1,5X10-FPM -A4C
39	04424733	1	fork
40	04418186	1	tube RIGHTS
41	04418184	1	tube LEFT
	04424737	1	tube
	04424738	1	tube
	04425722	1	tube RIGHTS
	04425720	1	tube LEFT

**DEUTZ FAHR** LENKUNG  
STEERING ASSY. -VERSTELLBAR-  
DIRECTION  
DIRECTION

2005-89 0504 7313 51

4.70-6.45,6.01  
80-150



**CONVERSION KIT**

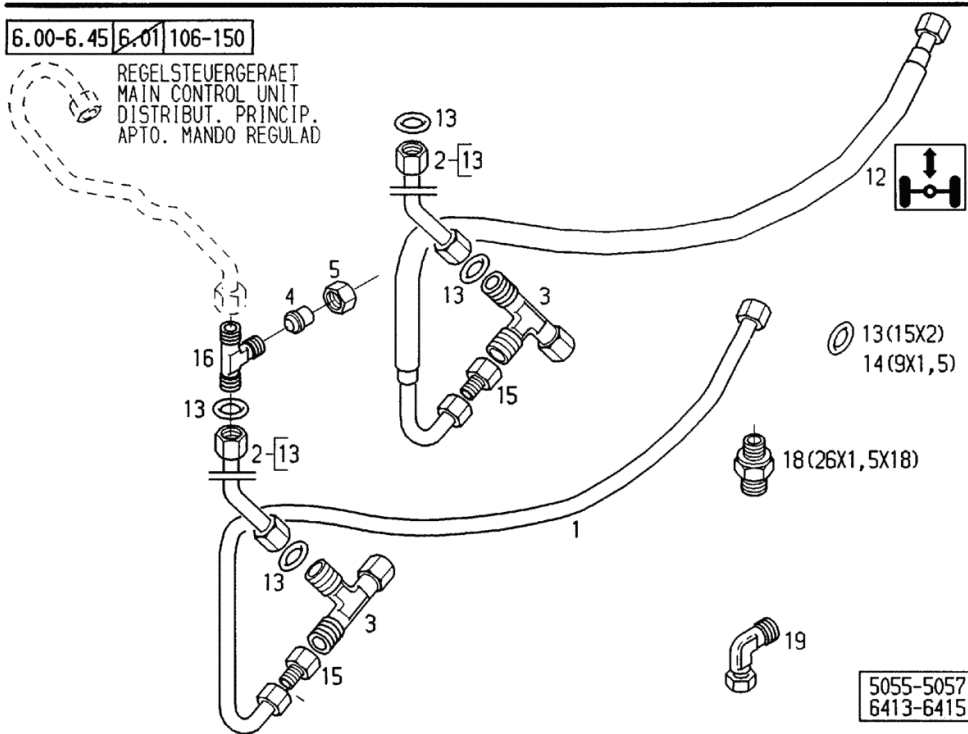
Fig.	Code	QTY	Name
1	04424725	1	tube
2	04418633	1	tube
3	01144815	1	tongue DIN 003944-L18-ST- NBR-A4C
4	01180566	1	cone
5	01127347	1	nut CL 18 H 003105- CL18 -ST-A3C WAXED ST
12	04418632	1	tube
13	01180530	2	ring H 002927- 15 X 2 -NBR-1-70
14	02371264	2	'o' ring H 002927- 9 X 1,5 -NBR-1-70
15	01180555	1	insert H 003118-DKO-L18-12-ST- NBR-A 4C
16	01138562	1	pipe fitting dl 18 h 3131 H 003131-DL 18-ST-A4C
18	01180562	1	tongue H 003132-EM26X1,5X18-FPM -A4C
19	01144895	1	pipe fitting DIN 003942-L 8-ST- NBR-A4C

**DEUTZ FAHR** UMRÜSTUNGSSATZ  
CONVERSION KIT  
KIT TRANSFORMATION  
LOTE MODIFIC. EQUIP.

2004-89 0504 7722

6.00-6.45 | 6.01 | 106-150

REGELSTEUERGERÄT  
MAIN CONTROL UNIT  
DISTRIBUT. PRINCIP.  
APTO. MANDO REGULAD



Section: GEARBOX, CLUTCH  
**CLUTCH - POWERSHIFT**



KUPPLUNG  
 CLUTCH/COUPLING  
 ACCOUP/EMBRAYAGE  
 ACOPLAMIENTO

T 7200 (POWERSHIFT)

2003-02 0504 7222

6.00-6.45 | 6.01

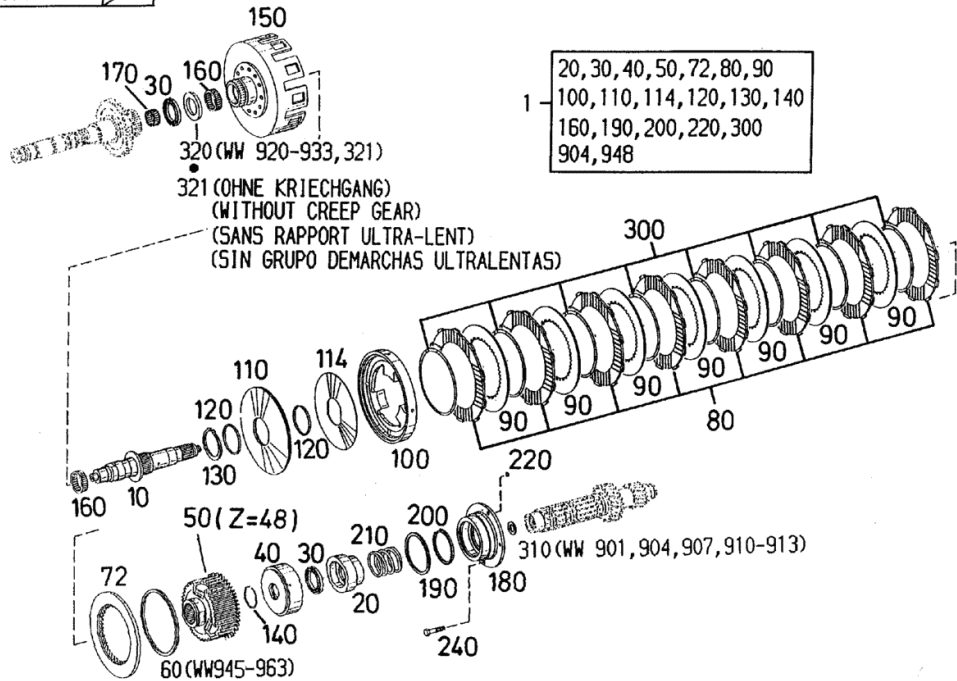


Fig.	Code	QTY	Name
911	04423253	0	washer S = 1.7 MM
912	04423254	0	washer S = 1.8 MM
913	04423255	0	washer s = 1.9 S = 1.9 MM
920	04417184	0	ring mm 6.75 S = 6.75 MM
4 921	04417185	0	ring mm 6.85 S = 6.85 MM
922	04417186	0	ring mm 6.30 S = 6.3 MM
923	04417187	0	ring mm 6.40 S = 6.4 MM
924	04417188	0	ring mm 6.50 S = 6.5 MM
925	04417189	0	ring mm 6.60 S = 6.6 MM
926	04417190	0	ring mm 6.70 S = 6.7 MM
927	04417191	0	ring mm 6.80 S = 6.8 MM
928	04417193	0	ring mm 7.00 S = 7.0 MM
929	04417194	0	ring mm 7.10 S = 7.1 MM
930	04417195	0	ring mm 7.20 S = 7.2 MM
931	04417196	0	ring mm 7.30 S = 7.3 MM
932	04417197	0	ring mm 7.40 S = 7.4 MM
933	04417198	0	ring mm 6.95 S = 6.95 MM
945	04417211	0	washer mm 3.20 S = 3.2 MM
946	04417212	0	washer mm 3.30 S = 3.3 MM
947	04417213	0	washer mm 3.40 S = 3.4 MM
948	04417214	0	washer mm 3.50 S = 3.5 MM
949	04417215	0	washer mm 3.6 S = 3.6 MM

**CLUTCH OPERATION - POWERSHIFT**

Fig.	Code	QTY	Name
20	04417966	1	tube
30	04417458	1	tube
40	04417964	1	tube
60	05047340	0	pump ☞ 12.03.10
70	01112418	1	screw m 10 x 25, d933 DIN 000933-M10 X 25 - 8.8-A4C
110	04417965	3	screw
120	04416743	1	tongue
120	01118688	1	ring 14x17 DIN 007603-A 14 X 18 -CU
130	04423377	1	tube
140	04416745	2	rubber buffer
150	04416746	1	ring
160	04416747	1	valve
999	04417837	0	sub-assy parts



KUPLUNGSBETAETIG.  
CLUTCH ACTUAT.DEVI  
COMMANDE EMBRAYAGE  
ACCTIONAM. ACOPLAM.

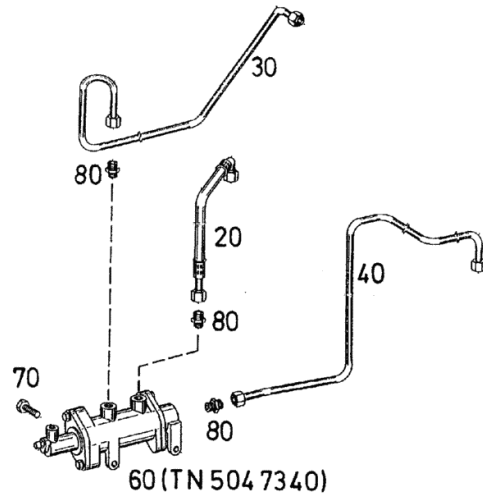
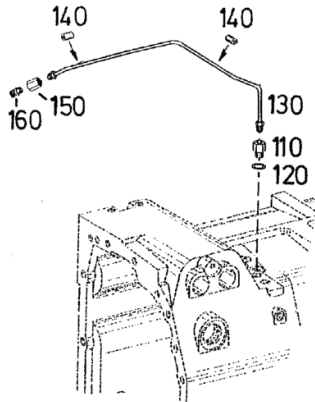
T 7200 (POWERSHIFT)

2003-03 0504 7239 80

6.00-6.45 | 6.01

140, 160

999



Section: GEARBOX, CLUTCH  
PUMP DRIVE POWERSHIFT

Fig.	Code	QTY	Name
10	04419230	1	body
14	01136331	2	pin DIN 000913-M 8 X 8-45H
20	04415830	1	ball 12 mm
25	04415916	1	gear wheel Z = 41
40	04415831	1	ball
42	04417931	1	ball
50	04415832	1	gasket
60	04415833	2	cylindrical plug 10 m 6x35
70	01112437	11	screw m 10 x 35 DIN 000933-M10 X 35 - 8.8-OEL BLACKENED
80	01151513	1	screw DIN 000931- M10 X100 - 8.8-OE LGESCH
90	04415834	2	ball bearing
111	04417729	1	pump
120	04415817	1	bushing
130	01107821	1	circlip 35x1,5 d472 DIN 000472- 35X1,5
135	04415918	1	bearing block
140	04415919	1	ball
150	04415818	1	bushing
160	04415920	1	gear Z = 68
170	01107809	1	circlip DIN 000472- 20X1
190	04415819	1	bushing
200	01107803	1	circlip DIN 000472- 14X1
220	04415820.4	1	washer
240	04415921	1	gasket
260	01112339	4	screw ISO 004017-M 8 X 30 - 8.8-GES BLACK
280	04415821	2	ball bearing
300	04415822.4	1	disc
320	01107745	1	ring DIN 000471- 30X2
340	04415823	2	screw 8 m 6x36
360	01139723	3	screw m 12 x 45 DIN 000933-M12 X 45 - 10.9-OE LGESCHW.
380	01107702	1	washer DIN 000470- 34-ST



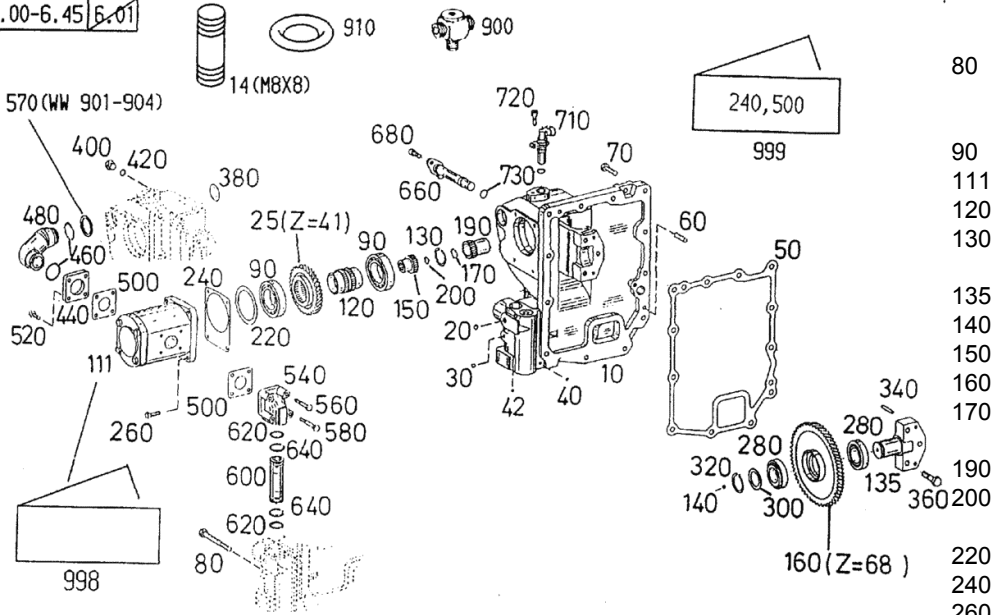
PUMPENANTRIEB  
PUMP DRIVE  
CDE DE LA POMPE  
ACCIONAMIENT. BOMBA

T 7200 (POWERSHIFT)

2003-07 0504 7219

4

6.00-6.45 6.01



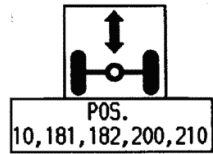
Section: GEARBOX, CLUTCH  
**GEARBOX**

Fig.	Code	QTY	Name
9	04415680	1	gear box
10	04423244	1	box
50	04415199	1	number plate
60	01115306	4	none
70	01110429	1	ISO 008746- 3 X 5-ST screw DIN-m 14x12-45h
80	01295723	1	DIN 000908-M42X1,5-ST ring
90	01110432	1	H 002927- 38 X 2 -NBR-1-70 plug
94	01118700	1	DIN 000909-M42X1,5-ST 'o' ring Ø 16 x 20
100	04415679	1	DIN 007603-A 16 X 20 -CU gasket
130	01137203	1	screw
140	01118830	1	DIN 000908-M42X1,5-ST-ZNPHRF 'o' ring 42x49
150	01124760	1	DIN 007603-A 42 X 49 -CU screw
160	01118760	1	DIN 000908-M26X1,5-ST gasket 26x31
180	04415682	1	DIN 007603-A 26 X 31 -CU screw
181	01110433	1	screw
182	01102309	1	DIN 000910- M10X1 -ST-ZNPHRF screw
190	04415683	1	DIN 000910- M12X1,5 -ST 'o' ring 8x1.5
200	01110432	1	plug
210	01118693	1	DIN 000909-M42X1,5-ST gasket 14x20 DIN 007603-A 14 X 20 -CU

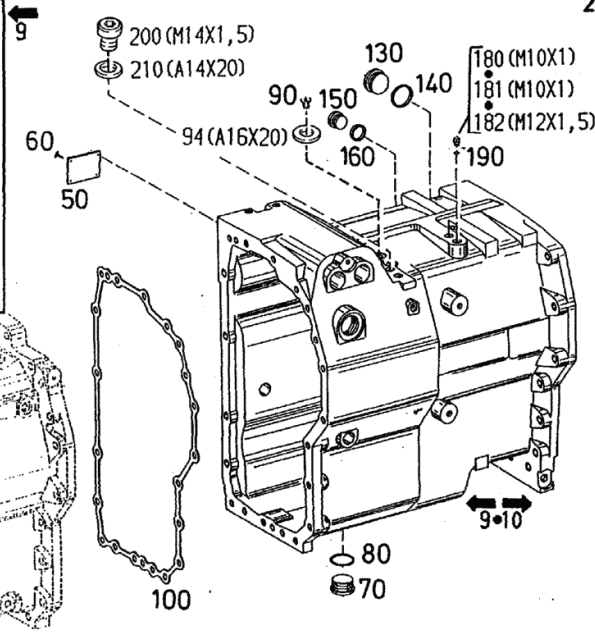
**DEUTZ FAHR** GETRIEBEGEHAUSE  
GEARBOX  
CARTER DE BOITE V  
CAJA DE VELOCIDAD. T 7200

2003-08 0504 7196

6.00-6.45 6.01



- 335-T7224 (S)
- 337-T7224 (S)
- 334-T7226 (S)
- 2773-T7224 (L)
- 2780-T7224 (L)
- 2784-T7224 (L)
- 2692-T7224 (L)
- 2925-T7226 (L)
- 2716-T7226 (L)
- 2732-T7226 (L)
- 2741-T7226 (L)
- 2942-T7228 (L)
- 2751-T7228 (L)
- 2761-T7228 (L)
- 2948-T7228 (L)



Section: GEARBOX, CLUTCH  
**DRIVE SHAFT - POWERSHIFT**



ANTRIEBSWELLE  
 DRIVE SHAFT  
 ARBRE DE TANSMIS.  
 EJE DE ACCIONAMIE.

T 7200 (POWERSHIFT)

2003-11 0504 7236

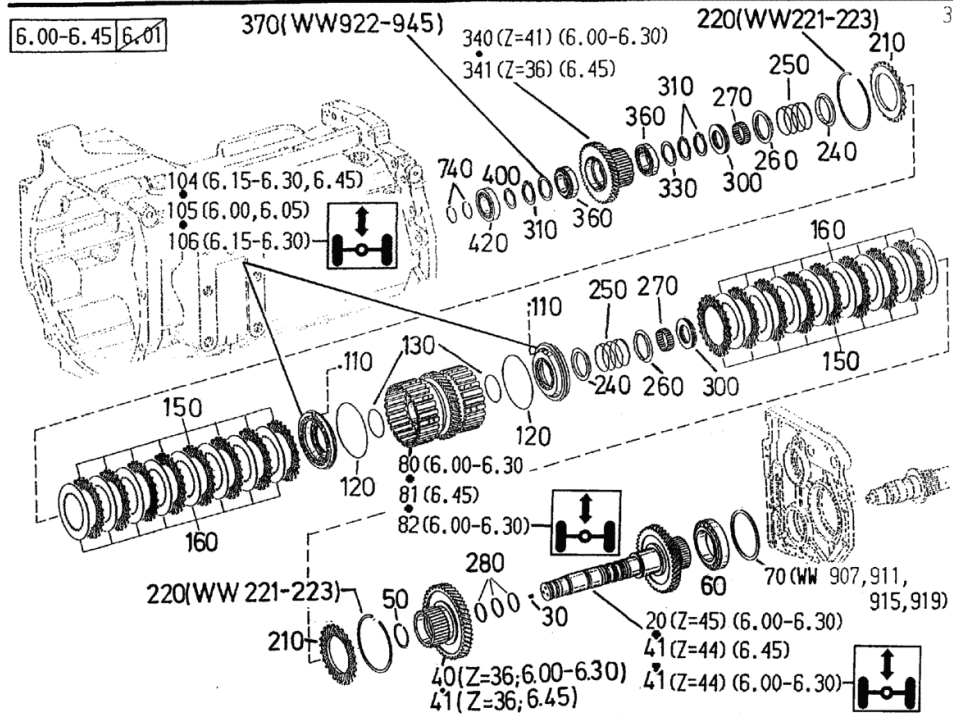
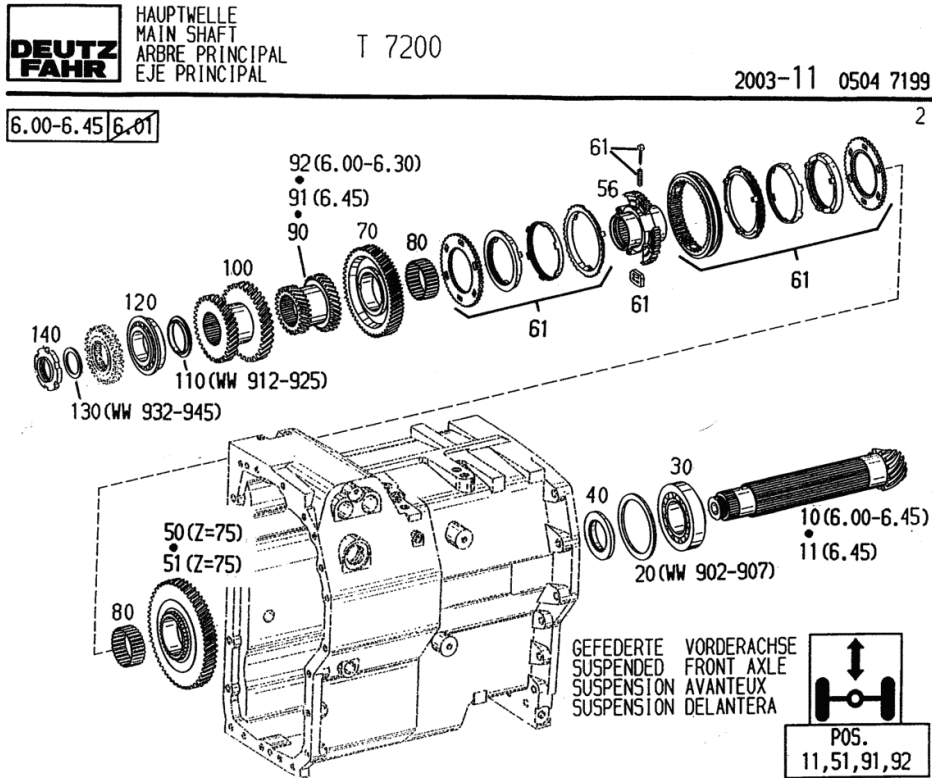


Fig.	Code	QTY	Name
20	04417076	1	shaft
30	04416947	2	grain m 8x8
40	04427600	1	bearing
41	04438448	1	transmission shaft
50	04416966	1	ring SW 50
60	04415989	1	bearing
70	04417057	0	washer mm 2.70 S = 2.7 MM
80	04416968	1	support
81	04417241	1	spring holder Z = 43
82	04423368	1	support
104	04416784	4	piston
105	04423360	4	piston
106	04423307	4	piston
110	04416756	4	ball
120	04419762	4	'o' ring 104x3
130	04419763	4	'o' ring 50x3
150	04416760	54	clutch disc AV 35
160	04416967	54	clutch disc
210	04416763	4	disc
220	04416765	0	circlip A = 2.0 S = 2.0 MM
221	04416766	0	circlip A = 2.5 S = 2.5 MM
222	04416767	0	circlip A = 3.0 S = 3.0 MM
223	04416768	0	circlip A = 3.5 S = 3.5 MM
240	04416758	4	ring
250	04416759	4	spring
260	04416954	4	ring
270	04416955	4	roller cage
280	04416956	6	ring 38/35.2x2
300	04416957	4	bearing
310	04416951	7	circlip
330	04416969	1	ring mm 1.5
340	04427601	1	gear wheel
341	04427566	1	gear z = 36/39
360	04416950	4	bearing
370	04417016	0	washer mm 1.2 S = 1.20 MM
400	04416762	1	disc
420	04415988	1	bearing
740	04415761	2	ring 35x2

**MAIN SHAFT**

Fig.	Code	QTY	Name
945	04424443	0	shim s = 3.00 S = 3.00 MM



**UNDERDRIVE - POWERSHIFT**

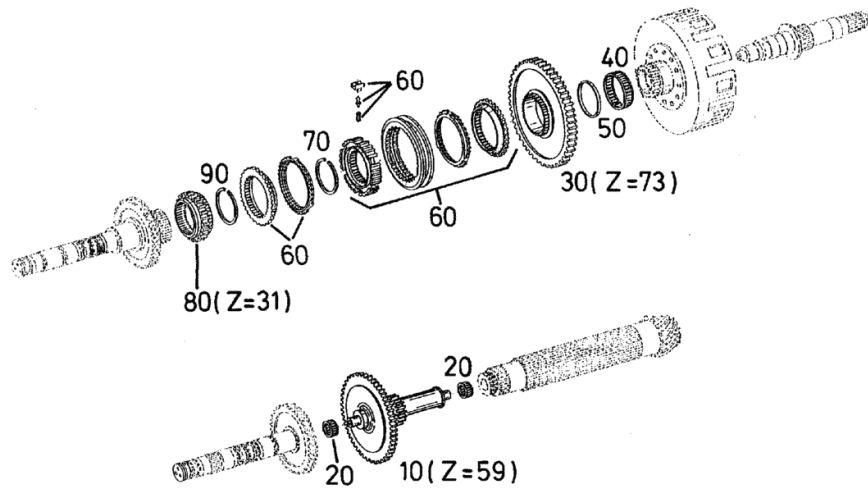
Fig.	Code	QTY	Name
10	04416812	1	shaft z = 59
20	04415803	2	bearing
30	04416813	1	gear z = 73
40	04415805	1	roller cage
50	04415806	1	ring
60	04416814	1	lock synchronizer
70	04415809	1	circlip sw 65
80	04416815	1	gear Z = 31
90	04415811	1	circlip sw 60

**DEUTZ FAHR** KRIECHGANGGETRIEBE  
 CREEP GEAR  
 RED. VIT. RAMPANTE  
 ACCTO. MARCHA LENTA

T 7200 (POWERSHIFT)

2003-11 0504 7207

6.00-6.45 | 6.01

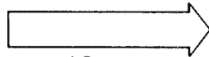




**P.T.O. FRONT**

Fig.	Code	QTY	Name
1	00000000	0	not serviceable

**DEUTZ FAHR** FRONTZAPFWELLE  
PTO-SHAFT  
POF FRONTALE  
TOMA FUERZA FRONT.



2007-13 0504 7706

4.70-6.45,6.01 80-150

160-200 230/260

2



ERSATZTEIL-KATALOG  
SPARE PARTS CATALOGE  
CATALOGUE DES PIECES DE RECHANGE  
CATALOGO DE PIEZAS RECAMBIO

FIRMA HANS SAUTER GMBH  
LANDTECHNIK-STAHLBAU  
AUERBACHWEG 13  
D 87778 STETTEN  
TEL: 08261/759940  
FAX: 08261/7599420



**REAR AXLE**

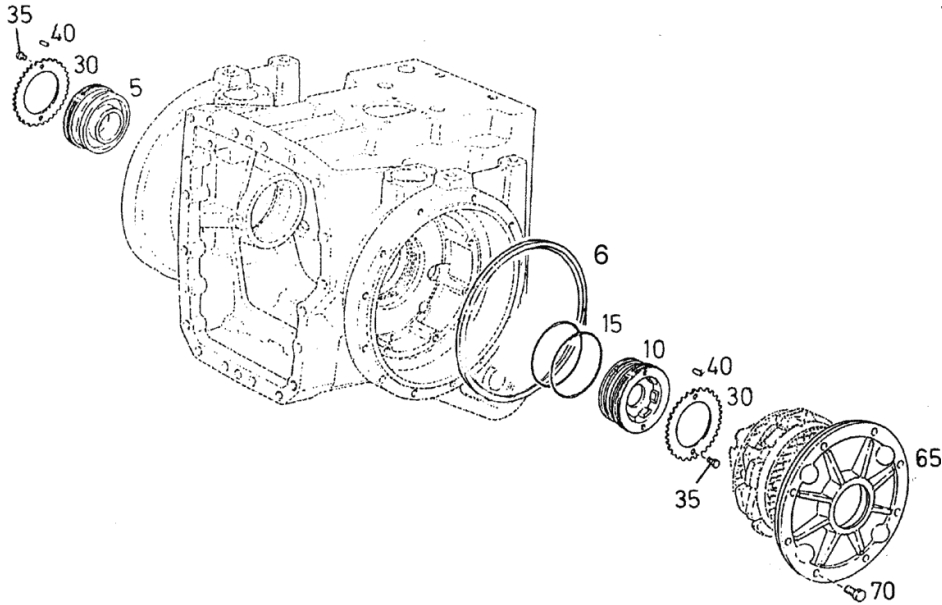
Fig.	Code	QTY	Name
5	04417447	1	register
6	04428220	1	'o' ring 305x4
10	04417448	1	register
15	04417450	2	ring 117.07x3.53
30	04417449	2	lamination
35	01112307	4	screw m 8 p.1.25 x 15, d933 ISO 004017-M 8 X 16 - 8.8-A4C
40	01115434	2	pin ISO 008752- 5 X 20
65	04417461	2	small plate
70	01112538	16	screw m 12 x 35, d933 DIN 000933-M12 X 35 - 8.8-A4C

**DEUTZ FAHR**  
HINTERACHSE  
REAR AXLE  
ESSIEU ARRIERE  
EJE TRASERO

T7200

2003-27 00504 7632

6.00-6.45 6.01



4417721

Section: GEARBOX, CLUTCH  
**P.T.O. SHAFT - 4-FOLD**

**DEUTZ FAHR**  
 ZAPFWELLE  
 P.T.O. SHAFT  
 PRISE DE FORCE  
 EJE TOMAS D. FUERZA

4 FACH T 7200

2003-77 0504 7254

6.00-6.45 | 6.01

2

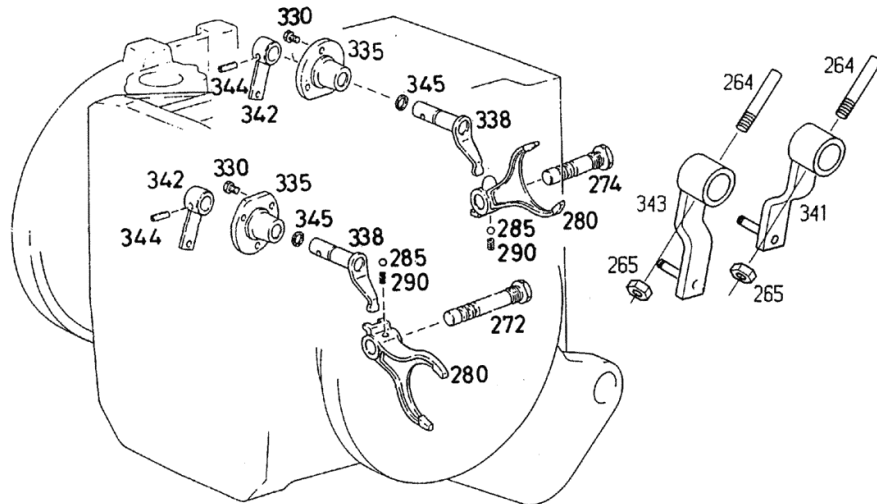


Fig.	Code	QTY	Name
264	04419757	4	screw m 8 x 35
265	04423725	4	nut
272	04417685	1	rod
274	04417686	1	pin
280	04417687	2	fork
285	04415909	2	ball
290	04417378	2	spring
330	01112307	6	screw m 8 p.1.25 x 15, d933 ISO 004017-M 8 X 16 - 8.8-A4C
335	04417692	2	bearing
338	04417693	2	pin
341	04413416	1	lever
342	04417694	2	link
343	04413418	1	lever
344	01157363	2	stop
345	04417504	2	ISO 008752- 8 X 30-A4C ring 15.3x2.4

**TENSION ROLLER**

Fig.	Code	QTY	Name
1	01179676	1	bearing H 004461-62 05-2RS-C3
2	04412992	1	bushing
3	01110651	1	screw DIN 000912- M10 X 20 - 8.8- O ELGESCHW
4	04412987.4	1	link
5	04412993	1	ring
6	04412989.4	1	tensioner
7	04412986.4	1	tensioner
8	04412991	1	ring
9	01107838	1	circlip DIN 000472- 52X2

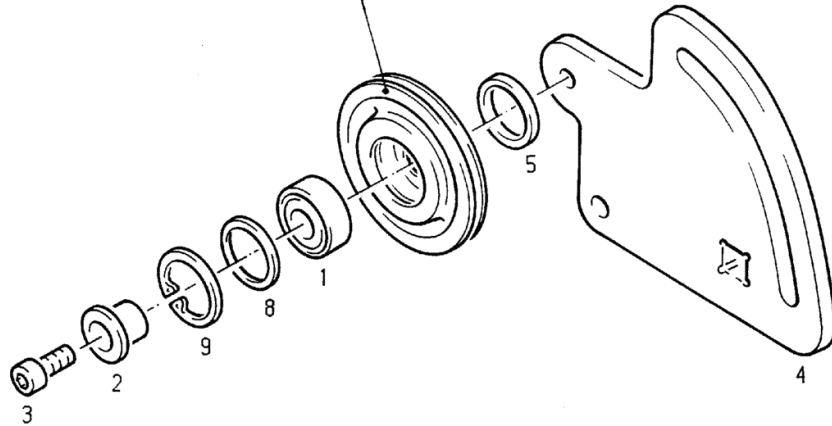
**DEUTZ FAHR** SPANNROLLE  
TENSIONING PULLEY  
POULIE DE TENSION  
POLEA TENSORA

2005-85 0504 7577

4.70-6.45,6.01

80-150

6-1-5,8,9(4.70-6.15,6.01) (80-110)  
•  
7-1-5,8,9(6,20-6.45) (120-150)



5415/16  
6304,5783  
7245-7248

**AIR DUCT**

**DEUTZ FAHR** LUFTKANAL  
AIR DUCT  
CANAL D'AIR  
CONDUCTO DE AIRE

2005-85 0504 7536

4.70-6.45,6.01  
160,175,200  
80-150

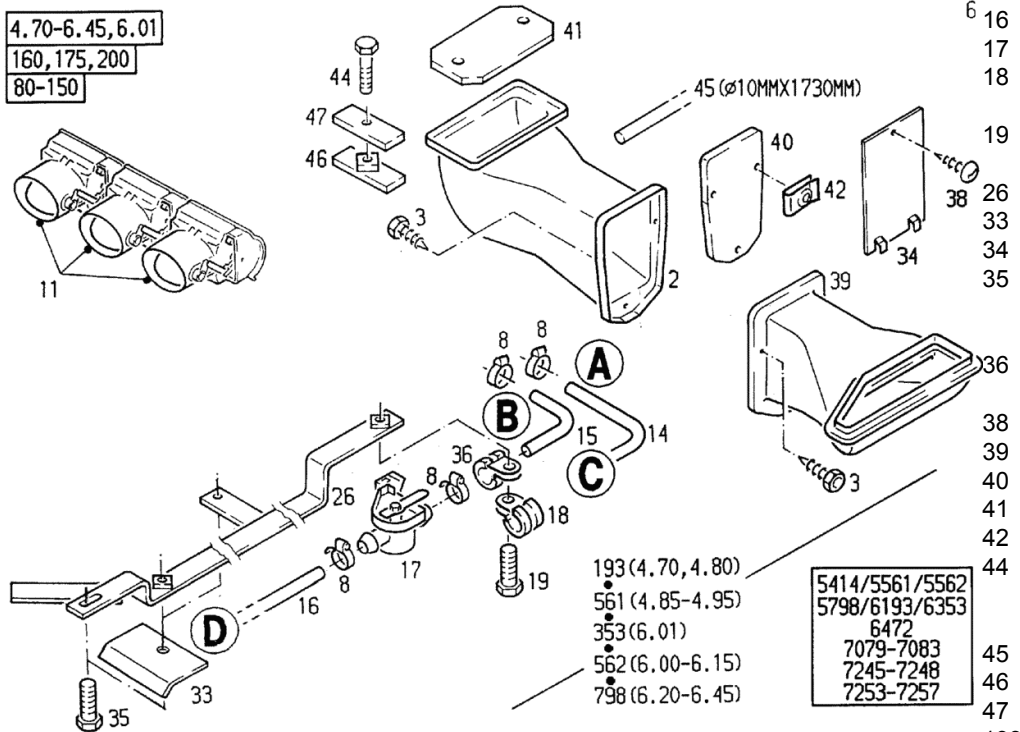


Fig.	Code	QTY	Name
2	04411413	1	manifold
3	04419030	9	screw ISO 001479-ST6,3X25 -Z1-C-A4C
8	01133514	4	clamp Ø 20/32 DIN 003017AL 20- 32 -W1
11	04411424	3	blower
14	04419026	1	tube
15	04419024	1	pipng
16	04419025	1	pipng
17	04411811	1	valve
18	01173182	1	clamp H 003223-B22X20-W1/CR70-10
19	01112341	1	screw m 8 x 30, d933 ISO 004017-M 8 X 30 - 8.8-A4C
26	04423497.4	1	console
33	04419027	1	metal strap
34	04425202	1	cover
35	01144692	3	screw m 8 p.1.25 x 20 DIN 000933-M 8 X 20 Z1-ST- 8.8-A4C
36	01180049	1	hose clip H 003221-B 15- 20/20
38	04413736	1	screw
39	04416885	1	blower
40	04418108	1	metal strap
41	04418906	1	metal strap
42	04418110	2	nut
44	01112271	2	screw ISO 004017-M 6 X 30 - 8.8-GES BLACK
45	04419103	1	band
46	04422837	2	rotor blade
47	04422836	2	rotor blade
193	03606193	1	air condition.system RETROFIT ASSEMBLY
353	03606353	1	air condition.system RETROFIT ASSEMBLY
561	03605561	1	air condition.system RETROFIT ASSEMBLY
562	03605562	1	air condition.system RETROFIT ASSEMBLY
798	03605798	1	air condition.system RETROFIT ASSEMBLY

Section: HITCH  
**PITON-FIX**

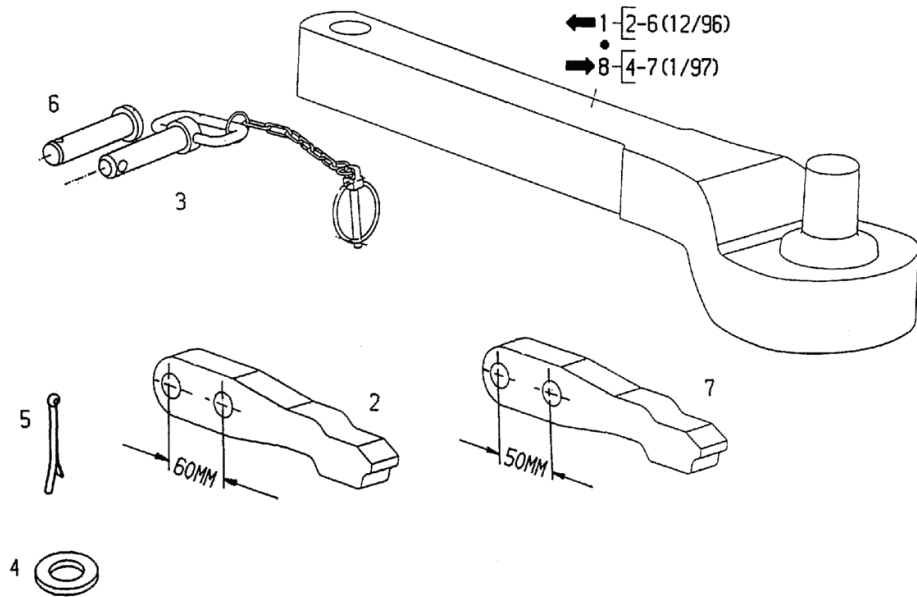
Fig.	Code	QTY	Name
1	04411769	1	publicity article RETROFIT ASSEMBLY
2	04413394	1	link
3	04413395	1	pin
4	01107124	1	washer 21x37x3 d125 DIN 000125-A21 -140HV-A4C
5	01143010	1	split pin DIN 000094- 8 X 32-ST-A4C
6	04413396	1	pin
7	04424136	1	link
8	04426458	1	none



PITON-FIX

2004-14 0504 7268 6

4.70-6.45,6.01



5327

Section: HITCH

**FRONT DRAWBAR COUPLING 40 Kg**

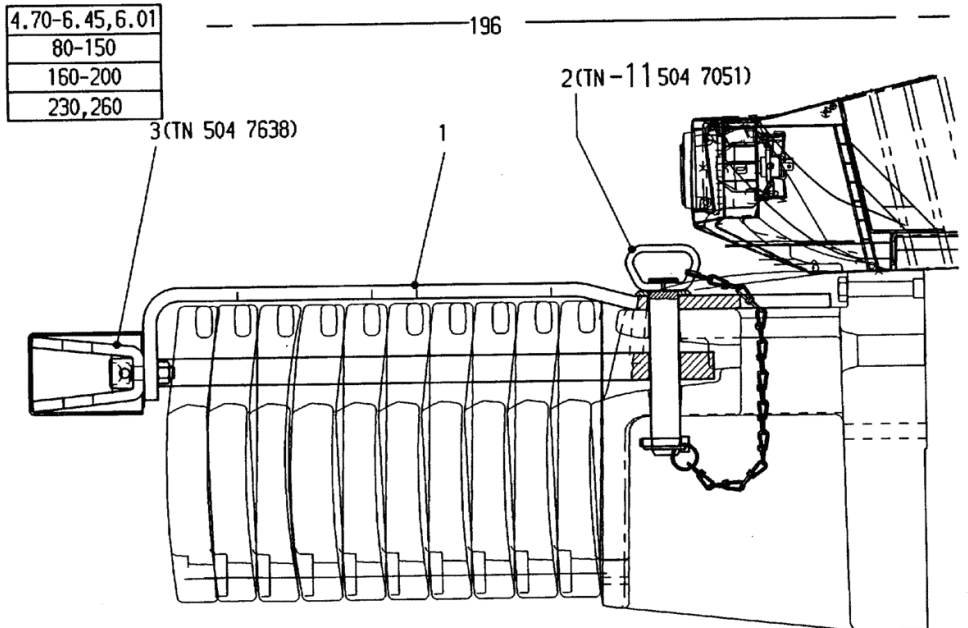
Fig.	Code	QTY	Name
1	04422700.4	1	support
2	05047051	0	bolt ☞ 1A.11.1
3	05047638	0	tow hook ☞ 1A.32.2
196	03606196	1	clutch assy RETROFIT ASSEMBLY

**DEUTZ FAHR**  
 RANGIERKUPPLUNG  
 TOWING CLEVIS  
 MANILLE REFOULEM.  
 ACOUPLE MANIOBRAS

40 KG

2006-32 0504 7639

4



443 2784

Section: HITCH

**TRAILER STAND - DRAWBAR COUPLING AUTOM.**

Fig.	Code	QTY	Name
1	04418130	1	square
2	04418131	1	square
3	04418400	4	bushing
4	01103128	6	pin ISO 008752-16 X 30
5	04418414	1	plate
6	01115309	2	none ISO 008746- 3 X 8-ST
28	01168225	4	lubricator m 8 x 1 DIN 071412-AS 8X1
9	04411789	2	pin
15	01144803	4	screw m 18 p.1.5x40 ISO 008676-M18X1,5 X 40 - 10. 9 ZNPHRF
16	04416023	4	screw ISO 008676-M18X1,5 X 65 - 10. 9-GESCH
101	05047403	0	tow hook ☞ 1A.62.9



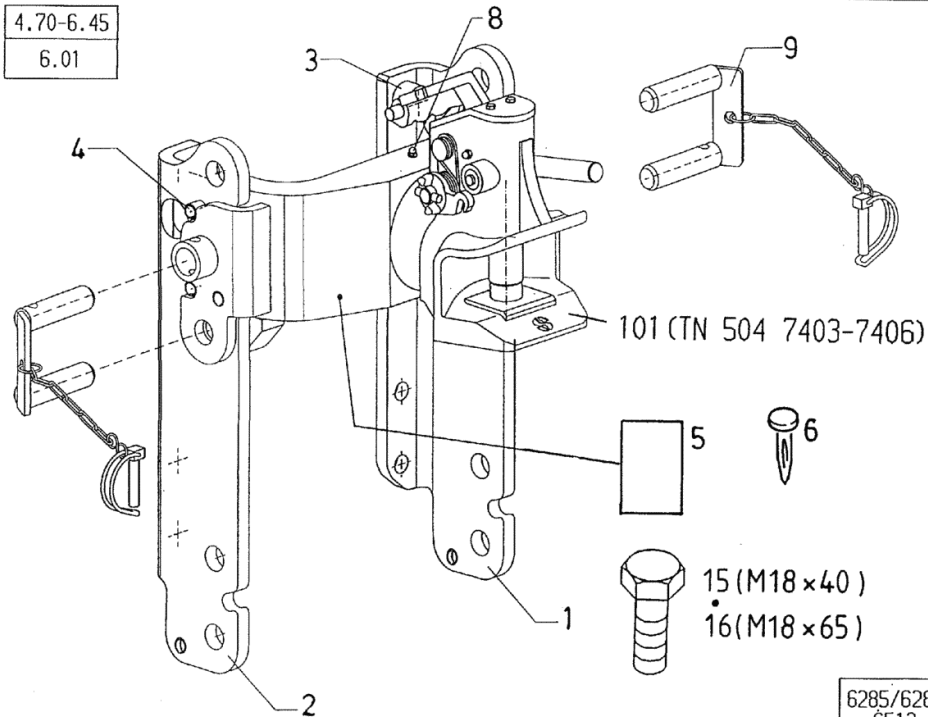
ANHAENGEBOCK  
HITCH SUPPORT  
CHEVALET REMORQUE  
CABALLETE REMOLQUE

ANHAENGEKUPPLUNG  
TRAILER HITCH  
CHAPE D' ATTELAGE  
ACOPLAM.DE ENGANCH

AUTOM.

2004-62 0504 7428

4.70-6.45  
6.01



Section: HITCH

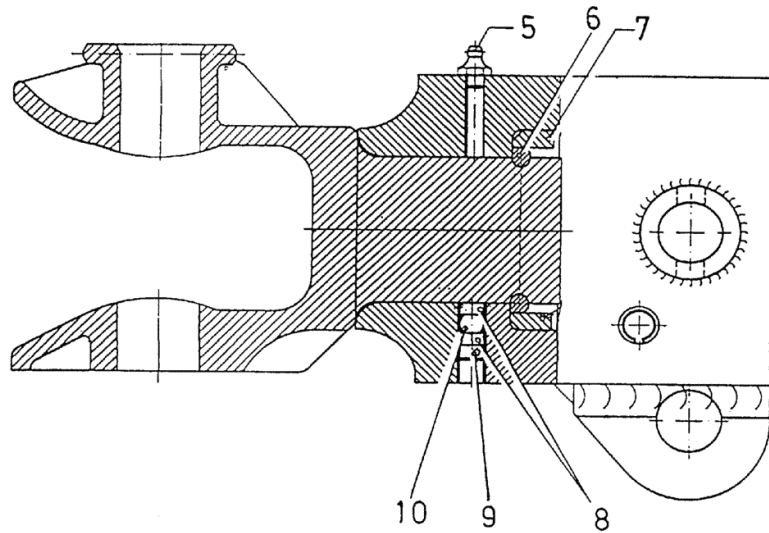
**DRAWBAR COUPLING MECH.**

Fig.	Code	QTY	Name
5	01168225	1	lubricator m 8 x 1 DIN 071412-AS 8X1
6	00000000	0	not serviceable
7	04417889	1	tube
8	04417890	2	shim
9	01137465	1	pin DIN 000913-M12 X 12- 45H
	04417891	1	ferrule
	04418420	1	tow hook
	04418126	1	tow hook

**DEUTZ FAHR**  
 ANHAENGEKUPPLUNG MECH.  
 TRAILER HITCH MECH.  
 CHAPE D' ATTELAGE MEC.  
 ACOPLAM. DE ENGANCH MEC.

2004-63 0504 7387 10

4.70-6.45	100	(OHNE PICK-UP-HITCH) (WITHOUT PICK-UP-HITCH)	1	100
6.01	101	(SANS PICK-UP-HITCH) (SIN PICK-UP-HITCH)	1	101
	101	(BEI PICK-UP-HITCH) (IN CASE OF PICK-UP-HITCH)		
		(EN PICK-UP-HITCH)		
		(EN PICK-UP-HITCH)		



5376/6244  
6284, 6286

**POWER LIFT**

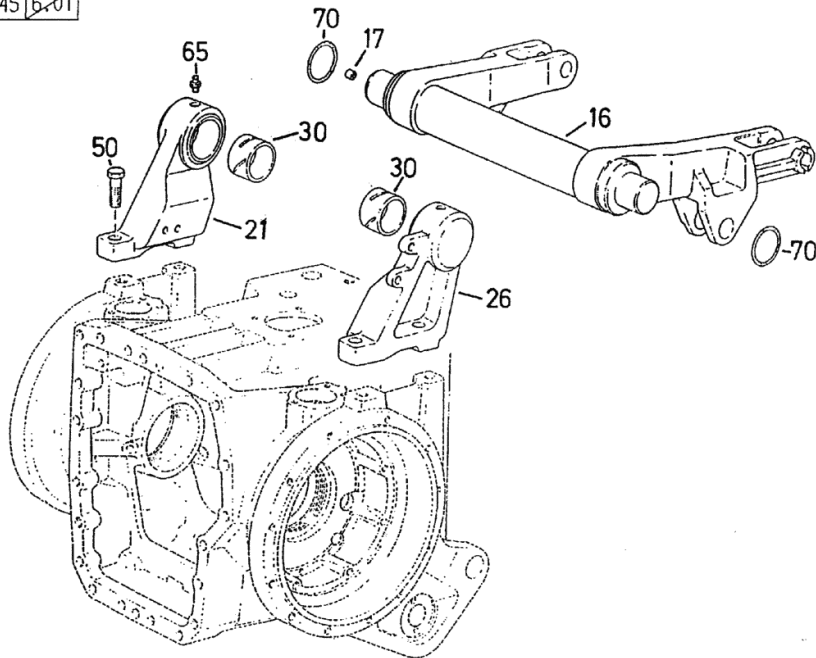
Fig.	Code	QTY	Name
16	04417622	1	shaft
17	04417546	1	bushing
21	04417547	1	bearing block
26	04417548	1	bearing block
30	04417549	2	bushing
50	04417550	4	screw m 20x65
65	01168229	2	pipe fitting DIN 071412-CS 8X1
70	04417552	2	ring 78.5x6

**DEUTZ FAHR**  
 KRAFTHEBER  
 HYDRAULIC LIFT  
 BLOC DE RELEVAGE  
 ELEVADOR HIDRAUL.

T 7200

2003-08 0504 7227

6.00-6.45 | 6.01

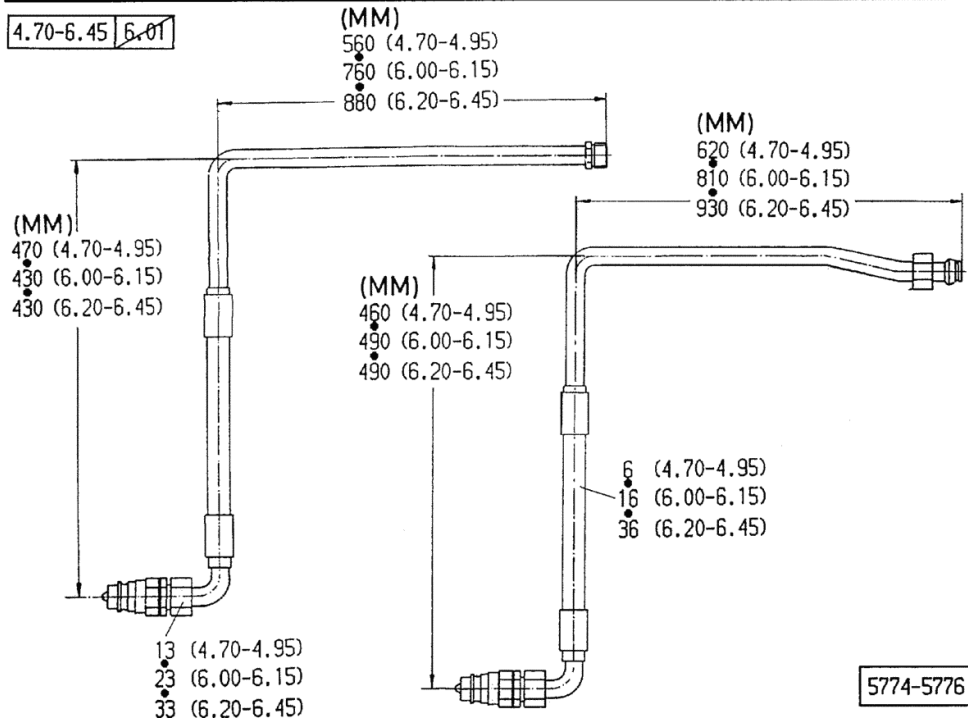


Section: HYDRAULIC SYSTEM  
**HOSE PIPE FRONT POWER LIFT**

Fig.	Code	QTY	Name
6	04414128	1	tube
13	04414145	1	tube
16	04415493	1	tube
23	04415483	1	tube
33	04414139	1	tube
36	04411636	1	tube

**DEUTZ FAHR** SCHLAUCHLEITUNG FRONTKRAFTHEBER  
 HOSE ASSEMBLY FRONT LIFT  
 CONDUITE FLEXIBLE RELEVAGE FRONTAL  
 MANGUERA ELEVADOR DELANTERO

2007-09 0504 7585



**STABILIZING FRAME MECHANICAL**

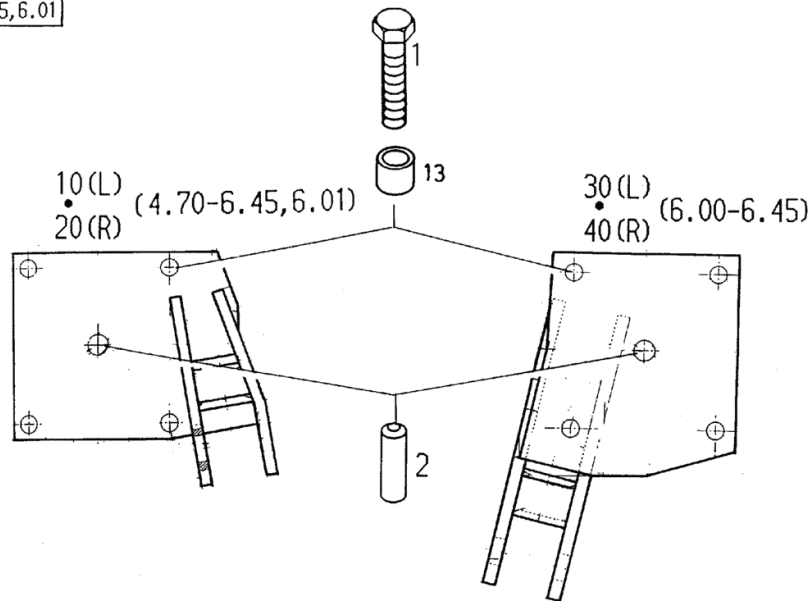
**DEUTZ FAHR**  
 STABILISIER. BOCK  
 STABILITZ. BRACKET  
 STABILISATION  
 CABALL. ESTABILIZAC

MECHANISCH  
 MECHANICEL  
 MECANIQUE  
 MECANILO

2004-11 0504 7168

4.70-6.45,6.01

1



5300/01

Fig.	Code	QTY	Name
1	04422336	8	screw m 16 x 70 ISO 004014- M16 X 70 - 10.9-A 4C
2	01105237	2	stop m 6x24 ISO 002338-20 M 6X 24-ST
10	04411215	1	u bolt sx/lh/li
13	04422335	8	spacer 17x30.5x24
20	04411216	1	ring dx/rh/re
30	04411063	1	small plate sx/lh/li
40	04411062	1	u bolt dx/rh/re

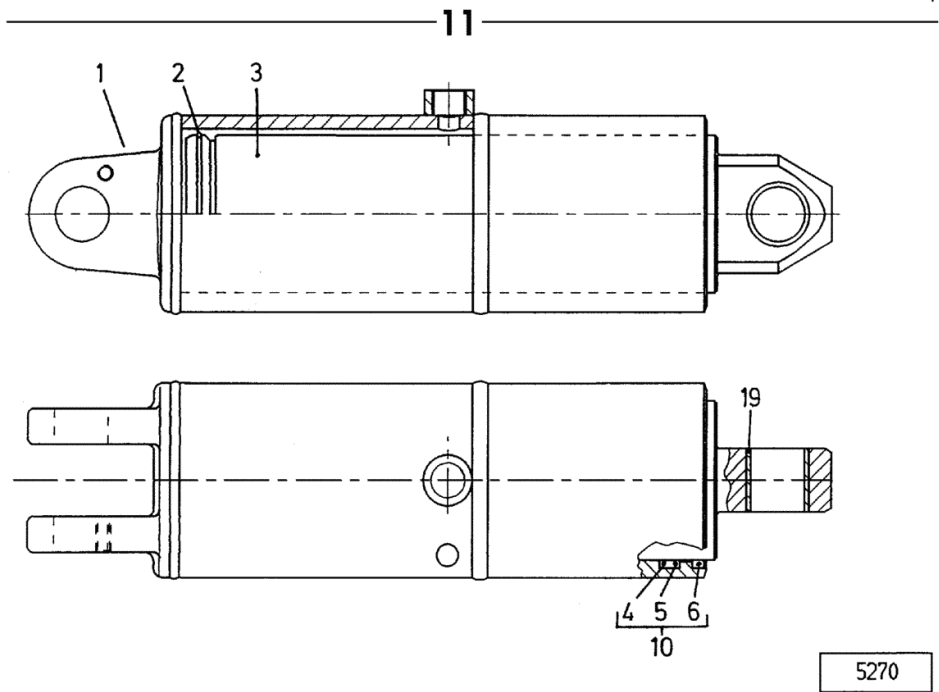
**LIFTING CYLINDER Ø MM 100**

**DEUTZ  
FAHR** HUBZYLINDER  
LIFT CYLINDER  
CYL DE LEVAGE  
CILINDRO ELEVADOR

100 ø

2004-30 0504 7187

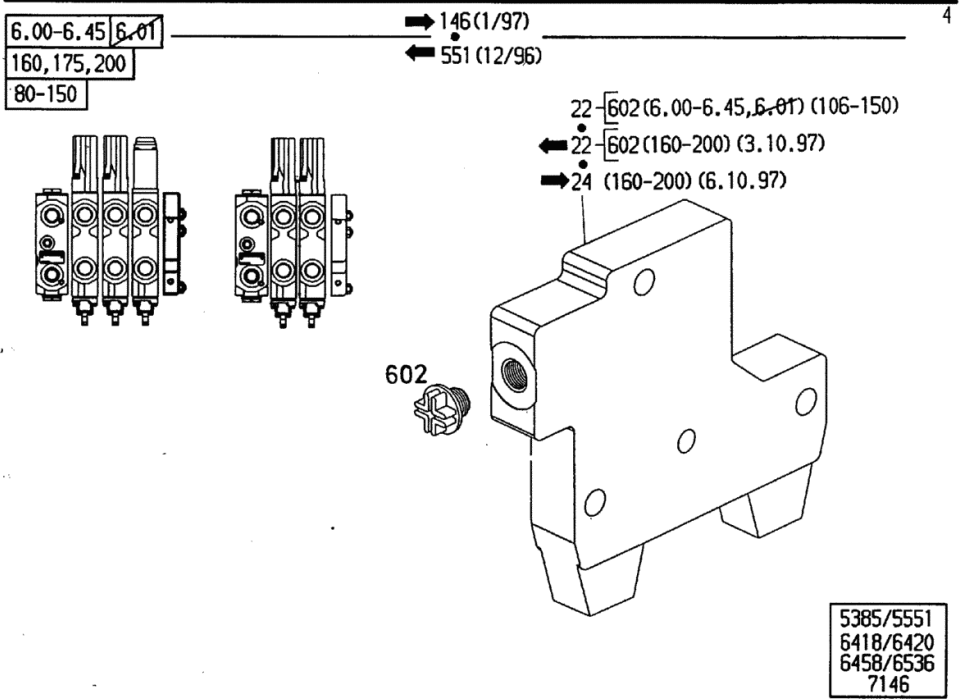
Fig.	Code	QTY	Name
1	04417820	1	engine cylinder
2	04417819	1	ring
3	04417818	1	piston
9	04422762	1	bushing OGNIBENE
10	04417813.4	0	gasket set OGNIBENE
10	04439555	0	gasket set BURNSIDE
11	04411184.4	1	jack mm 100 ☞ 04411184.4



**END PLATE FOR POSITION 1+2+3+4**

Fig.	Code	QTY	Name
22	04413341.4	1	tip
24	04418532	1	tip
146	03607146	1	distributor RETROFIT ASSEMBLY
551	03605551	1	control grp. RETROFIT ASSEMBLY
602	00000000	0	not serviceable

**DEUTZ FAHR** ENDPLATTE 1+2+3+4  
 END PLATE FOR POSITION  
 PLAQUE D'EXTREMITE POUR POSITION  
 PLACA FINAL PARA POSICION  
 2004-40 0504 7401



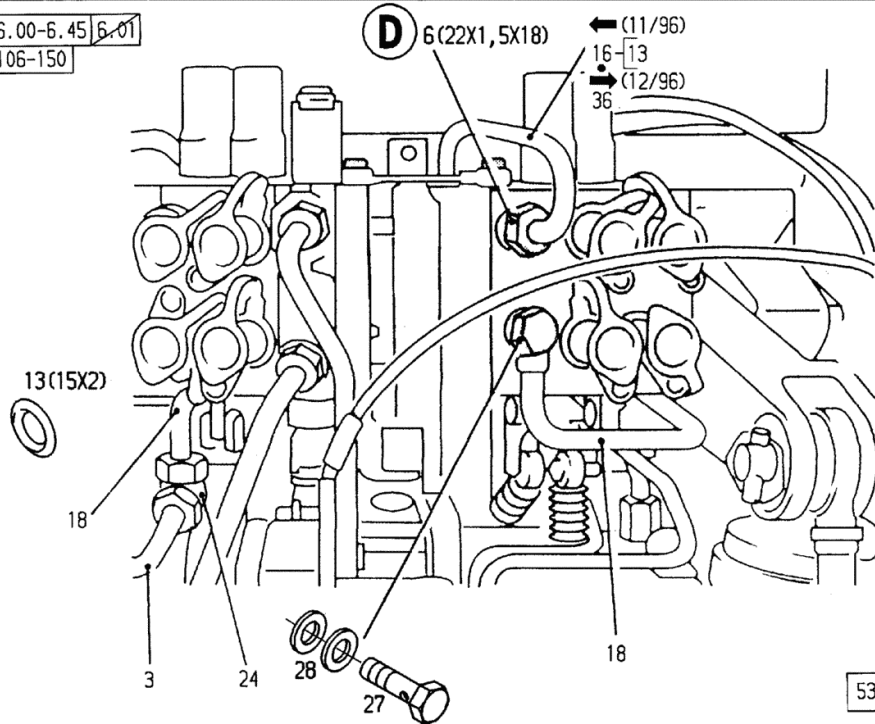
**HYDR. CONTROL FOR POSITIONS 3+4**

**DEUTZ FAHR** HYDR. STEUERUNG FUER STELLE 3+4  
 HYDRAULIC CONTROL FOR POSITION  
 CONTROLE HYDRAUL. POUR POSITION  
 MANDO HIDRAULICO PARA POSICION

2004-88 0504 7442 24

6.00-6.45 | 6.01  
 106-150

Fig.	Code	QTY	Name
3	04413599	1	tube
6	01177450	5	pipe fitting m 22 p.1.5x18 H 003132-EM22X1,5X18-FPM -A4C
13	01180530	2	ring H 002927- 15 X 2 -NBR-1-70
16	04415536	1	tube
18	04423592	1	pipng
18	01138562	1	pipe fitting dl 18 h 3131 H 003131-DL 18-ST-A4C
27	01137278	1	screw H 003102-D18 M-ST-A4C
28	01173526	2	ring 22.7 x 30 x 2 H 002905-U 22,7X30 X2 -W1
36	04424640	1	pipng



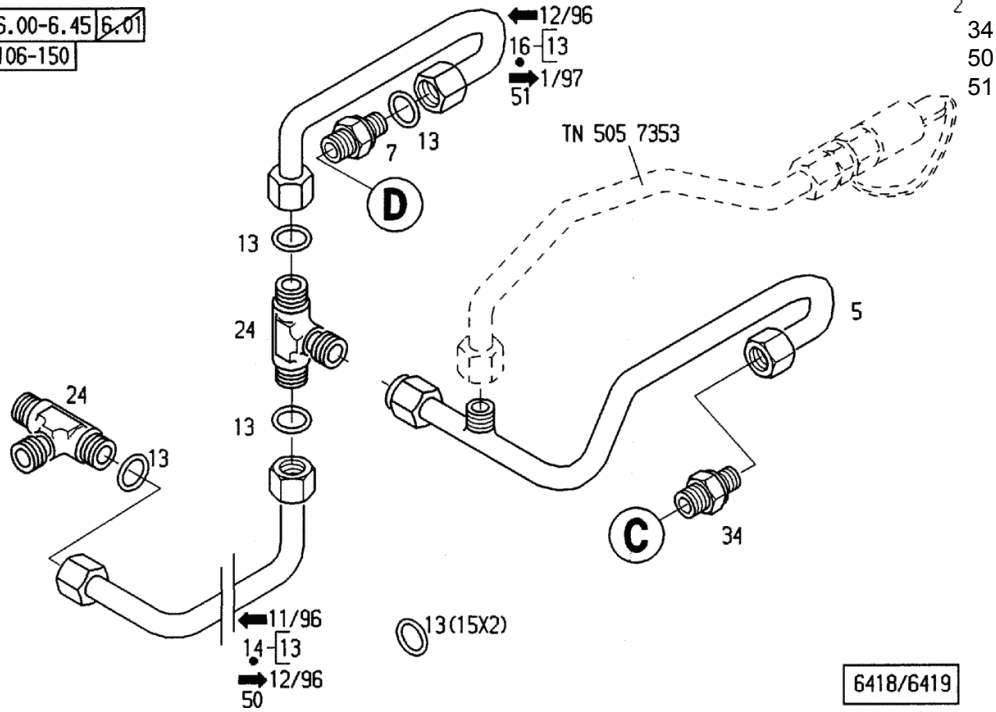
**HYDRAULIC CONTROL UNIT FOR POSITIONS 3+4 - SPRUNG FRONT AXLE**



HYDR. STEUERUNG FUER STELLE 3+4 GEFEDERTE VORDERACHSE  
 HYDRAULIC CONTROL FOR POSITION SUSPENDED FRONT AXLE  
 CONTROLE HYDRAUL. POUR POSITION SUSPENSION AVANTEUX  
 MANDO HIDRAULICO PARA POSICION SUSPENSION DELANTERA 2004-88 0504 7739 24

6.00-6.45 6.01  
 106-150

Fig.	Code	QTY	Name
5	04419990	1	pipng
7	01177450	2	pipe fitting m 22 p.1.5x18 H 003132-EM22X1,5X18-FPM -A4C
13	01180530	2	ring H 002927- 15 X 2 -NBR-1-70
14	04415531	1	pipng
16	04415536	1	tube
16	01138562	2	pipe fitting dl 18 h 3131 H 003131-DL 18-ST-A4C
34	04337377	1	tongue
50	04426622	1	pipng
51	04424640	1	pipng



**PARTS SET - HYDR. SPRINGING - DRIVEN STEERING AXLE**

Fig.	Code	QTY	Name
100	04423814	2	tank
120	04423815	2	windscreen washer
200	04423813	1	tank
210	04423806	3	gasket
310	04423805	1	valve
340	00000000	0	not serviceable
350	00000000	0	not serviceable
360	00000000	0	not serviceable
370	00000000	0	not serviceable

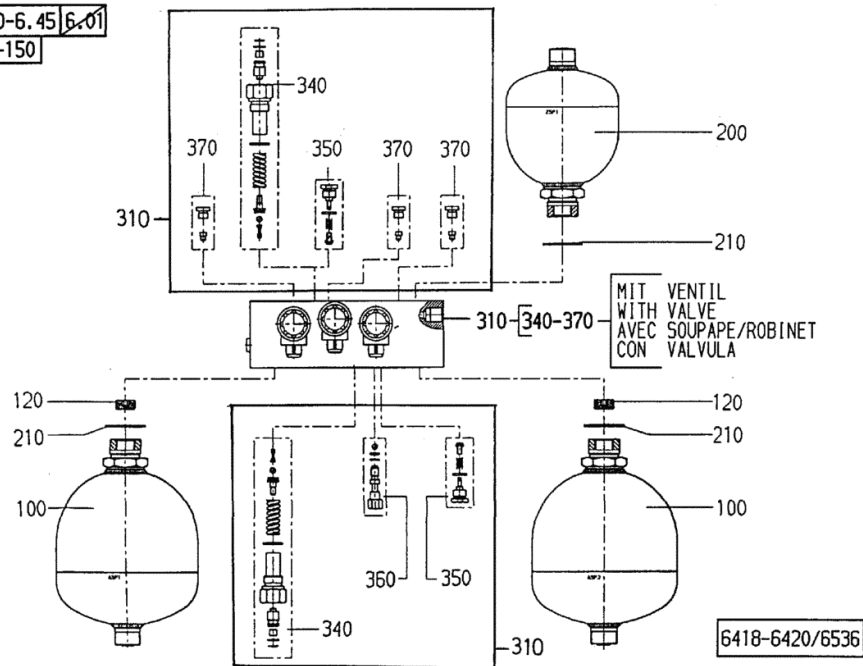


TEILESATZ HYDR. FEDERUNG GETR. LENKACHSE  
 SET OF PARTS HYDR. SPRING ASSY DRIVEN AXLE  
 LOT DE PIECES HYDR. SUSPENSION ESSIEU DIRECTEUR  
 JUEGO DE PIEZAS HIDR. SUSPENS. ELASICA EJE MOTRIZ

2004-88 0504 7728

2

6.00-6.45 6.01  
 106-150



**REMOTE-CONNECTION FRONT FIXING PARTS**

Fig.	Code	QTY	Name
2	04318223	3	hose clip
3	01112341	2	screw m 8 x 30, d933 ISO 004017-M 8 X 30 - 8.8-A4C
4	01112824	2	nut m 8, d934 ISO 004032-M 8 - 8-A4C
5	04413343	1	plate
15	04416006	1	plate
552	03607513	1	number plate RETROFIT ASSEMBLY
553	03607514	1	accessories RETROFIT ASSEMBLY

**DEUTZ FAHR** REMOTE-ANSCHLUSS INDEP. REM. HYDR. PRISE HYDRAULIQUE CONEXION REMOTE FRONT FRONT AVANT DELANTE BEFESTIGUNGSTEILE FASTENINGS PIECES DE FIXAT PIEZAS DE SUJESION

2004-88 0504 7356

4.70-6.45, 6.01

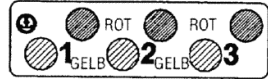
80-150

513 (80-105)

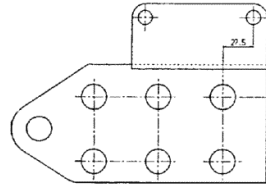
514 (106-150)



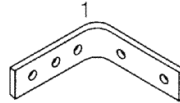
10 (80-105)



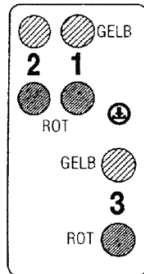
11 (106-150)



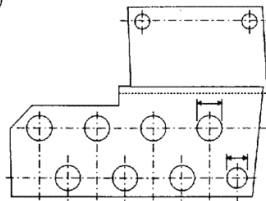
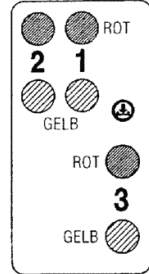
6 (80-105)



5 (4.75-4.95)(80-105)



15 (6.00-6.45)(106-150)



9 (80-150)



2



3 (M12 x 40)  
12 (M12 x 30)

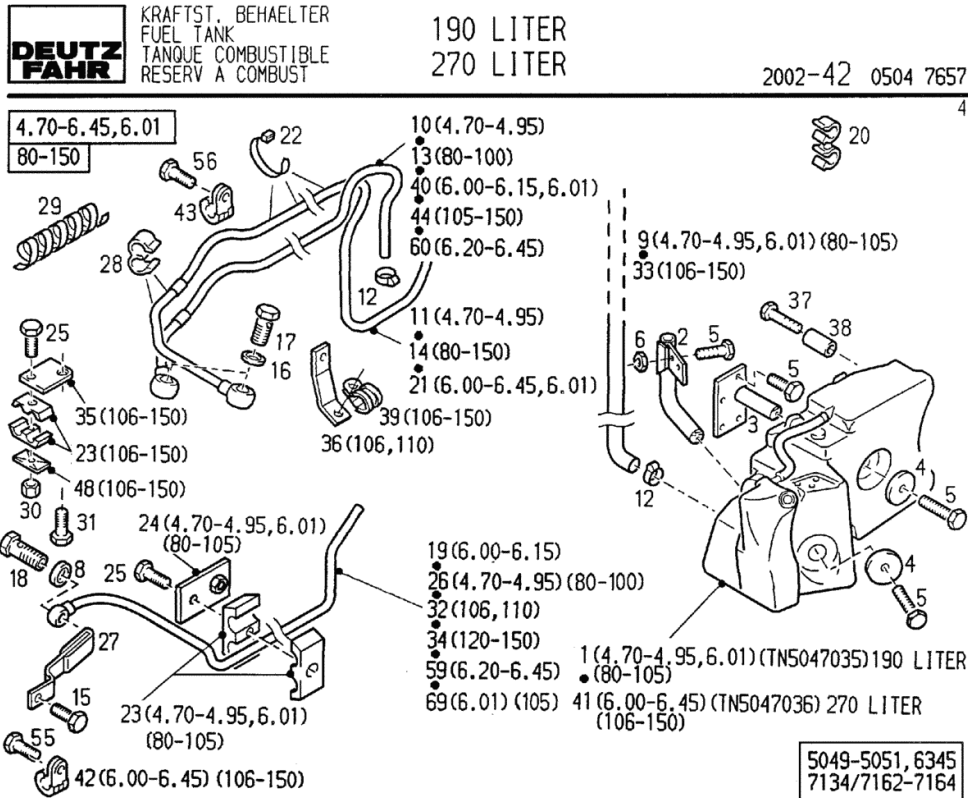


4 (M12)

7513, 7514

Section: MOTOR SUPPLY  
**FUEL TANK 190/270 LITRE**

Fig.	Code	QTY	Name
1	05047035	0	fueltank ☞ 17.42.2
2	04411965	1	support
3	04411085	1	support
4	04413213	2	washer
5	01144473	6	screw m 12 p.1.75x35 DIN 000933-M12 X 35 Z1-ST- 8. 8-A4C
46	01112858	2	nut m 12, d934 DIN 000934-M12 - 8-A4C
8	01118700	2	'o' ring Ø 16 x 20 DIN 007603-A 16 X 20 -CU
9	04418664	1	flexible hose
10	04411387	1	tube
11	04411385	1	tube
12	01173965	4	clamp 10-16/9 h3461 H 003461-B 9 C 10- 16-W1
13	04424746	1	pipng
14	04424260	1	tube
15	01143117	1	screw DIN 000933-M 8 X 16 Z1-ST- 8. 8-A4C
16	01118688	4	ring 14x17 DIN 007603-A 14 X 18 -CU
17	01119246	2	pipe union H 3102 -D10 M H 003102-D10 M-ST-A4C
18	01137064	1	pipe union m 16 p.1.5 H 003102-D12 M-ST-A4C
19	04418187	1	tube
20	04415745	3	hose holder
21	04418652	1	tube
22	01176280	5	hose clip H 007672-G 700X 7,6
23	04418659	6	terminal 12x10 H 003270-ZKH-1-12X10-PA
24	04418661.4	3	support
25	01112283	3	screw ISO 004017-M 6 X 45 - 8.8-GES BLACK
26	04418658	1	tube
27	04418671	1	bracket
28	04418891	2	support
29	04419031	2	guard mm 150
30	01112813	1	nut m 6



Section: MOTOR SUPPLY  
**EXHAUST SILENCER - RETROFIT KIT**



SCHALLDAEMPFER  
 SILENCER  
 SILENCIEUX  
 SILENCIOSO

NACHRUESTSATZ  
 OPTIONAL EXTRAS  
 EQUIP ULTERIEUR  
 JUEGO COMPLEMENT

2002-44 0504 7697

6.00-6.45, 6.01

991 (6.20-6.45)

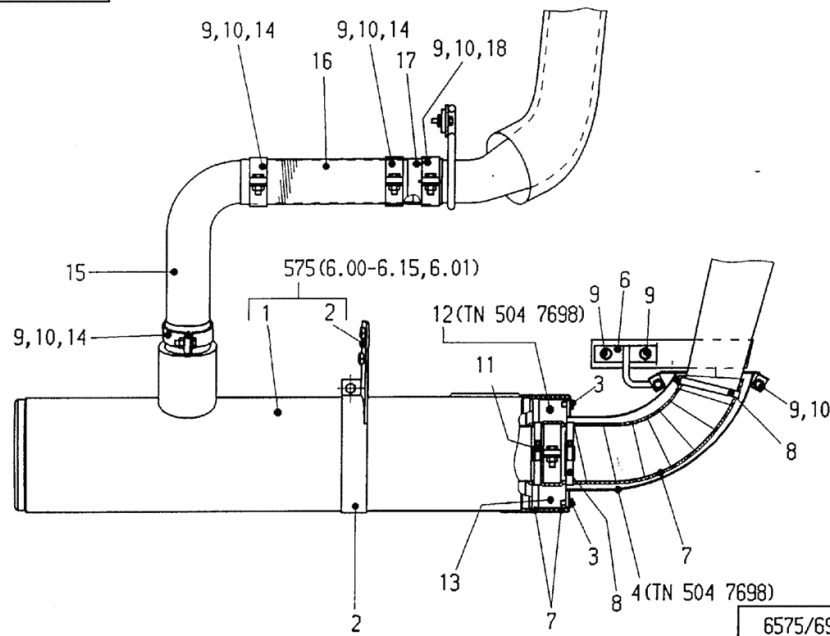


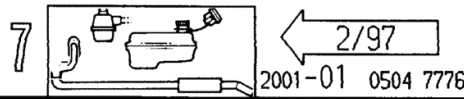
Fig.	Code	QTY	Name
1	04422337	1	silencer
2	04422338	1	console
3	01143117	4	screw DIN 000933-M 8 X 16 Z1-ST- 8. 8-A4C
4	05047698	0	tube ☞ 17.44.4
6	04422724	1	console
7	04424255	1	fuel 5500 MMM
8	01173970	2	hose clip H 003461-B13 C 90-110-W1
9	01139931	7	screw m 10 x 25 DIN 000933-M10 X 25 Z1-ST- 8. 8-A4C
10	01102659	7	nut m 10, d934 DIN 000934-M10 - 8-A4C
11	01173964	1	hose clip H 003461-B13 C100-120-W1
12	05047698	0	tube ☞ 17.44.4
14	04422728	4	hose clip DIN 071555- 78.5-A4C
15	04422729	1	piping
16	04422730	1	flexible hose
17	04422731	1	bushing
575	03606575	1	silencer
991	03606991	1	RETROFIT ASSEMBLY silencer RETROFIT ASSEMBLY

Section: OTHER

**RETROFIT KIT - FUNCTION GROUP 7**

Fig.	Code	QTY	Name
1	03605234	1	air filter SUBASSEMBLY 43
5	03605235	1	air filter SUBASSEMBLY 43
10	03605236	1	air filter SUBASSEMBLY 43
15	03605239	1	silencer SUBASSEMBLY 44
20	03606303	1	silencer SUBASSEMBLY 44
25	03605240	1	silencer SUBASSEMBLY 44
30	03606246	1	silencer SUBASSEMBLY 44
35	03606575	1	silencer SUBASSEMBLY 44
40	03606991	1	silencer SUBASSEMBLY 44
45	04424797	1	gasket set
50	04424798	1	gasket set
55	04428606	1	publicity article
60	04426188	1	repair seal set

**DEUTZ FAHR** NACHRÜSTSATZ FUNKTIONSGRUPPE  
 OPTIONAL EXTRAS FUNKTIONAL GRUOP  
 EQUIPULTEURIEUR GROUPE FONKTIONNEL  
 JUEGOCOMPLEMENT.GRUPO FUNCIONAL



4.70-6.45,6.01

POS.	BENENNUNG	TYPEN
1	TROCKENLUFTFILTER, ANSAUGUNG LINKS OBEN A-PFOSTEN	4.70-4.95 6.01
5	TROCKENLUFTFILTER, ANSAUGUNG LINKS OBEN A-PFOSTEN	6.00-6.15
10	TROCKENLUFTFILTER, ANSAUGUNG LINKS OBEN A-PFOSTEN	6.20-6.45
15	AUSPUFF,ENDROHR RECHTS OBEN A-PFOSTEN	4.70-4.95
20	AUSPUFF,ENDROHR RECHTS OBEN A-PFOSTEN	6.01
25	AUSPUFF,ENDROHR RECHTS OBEN A-PFOSTEN	6.00-6.15
30	AUSPUFF,ENDROHR RECHTS OBEN A-PFOSTEN	6.20-6.45
35	SCHALLDÄMPFER, NACHRÜSTSATZ	6.00-6.15 6.01
40	SCHALLDÄMPFER, NACHRÜSTSATZ	6.20-6.45
45	SCHOTTWAND	4.70/4.80/6.01
50	SCHOTTWAND	4.85-4.95
55	SCHOTTWAND	6.20-6.45
60	SCHOTTWAND	6.00,6.05,6.15

Section: OTHER

**RETROFIT KIT - FUNCTION GROUP 3**

Fig.	Code	QTY	Name
------	------	-----	------

SUBASSEMBLY 56

**DEUTZ FAHR** NACHRÜESTSATZ FUNKTIONSGRUPPE  
 OPTIONAL EXTRAS FUNKTIONAL GRUOP  
 EQUIPULTEURIEUR GROUPE FUNKTIONNEL  
 JUEGOCOMPLEMENT.GRUPO FUNCIONAL

3



3/97

2001-01 0504 7829

80-150

POS.	BENENNUNG	TYPEN
1	TEILESATZ FÜR BETRIEBSBREMSE MIT DRUCKSPEICHER	80-100
5	TEILESATZ FÜR BETRIEBSBREMSE MIT DRUCKSPEICHER	105-150
10	BREMSBETÄTIGUNG FÜR KNOTT-BREMSE OHNE BOOSTER	80-105
15	BREMSBETÄTIGUNG FÜR KNOTT-BREMSE OHNE BOOSTER	106-135
20	BREMSBETÄTIGUNG FÜR KNOTT-BREMSE OHNE BOOSTER	150
25	DRUCKLUFTANLAGE( EIN/ZWEI ) KABINENANTEIL SIEHE KABINE	80-100
30	DRUCKLUFTANLAGE( EIN/ZWEI ) KABINENANTEIL SIEHE KABINE	105
35	DRUCKLUFTANLAGE( EIN/ZWEI ) KABINENANTEIL SIEHE KABINE	106-110
40	DRUCKLUFTANLAGE( EIN/ZWEI ) KABINENANTEIL SIEHE KABINE	120-150
45	DRUCKLUFTANLAGE ITALIEN	80-100
50	DRUCKLUFTANLAGE ITALIEN	105
55	DRUCKLUFTANLAGE ITALIEN	106-110
60	DRUCKLUFTANLAGE ITALIEN	120-150
65	HYDRL. BREMSE FÜR ANHÄNGER,	80-105
70	HYDRL. BREMSE FÜR ANHÄNGER,	106-150

Section: OTHER

**RETROFIT KIT - FUNCTION GROUP 8**

Fig.	Code	QTY	Name
1	04424820	1	socket RETROFIT ASSEMBLY SUBASSEMBLY 49
5	04424166	1	publicity article SUBASSEMBLY 49
10	03607274	1	windscreen washer RETROFIT ASSEMBLY SUBASSEMBLY 49
15	03607259	1	headlight RETROFIT ASSEMBLY SUBASSEMBLY 49
20	03607260	1	headlight RETROFIT ASSEMBLY SUBASSEMBLY 49
25	03607299	1	headlight RETROFIT ASSEMBLY SUBASSEMBLY 49
70	03605439	1	headlight RETROFIT ASSEMBLY SUBASSEMBLY 49

**DEUTZ FAHR** NACHRÜESTSATZ FUNKTIONSGRUPPE  
 OPTIONAL EXTRAS FUNKTIONAL GRUOP  
 EQUIPULTEURIEUR GROUPE FONKTIONNEL  
 JUEGOCOMPLEMENT.GRUPO FUNCIONAL



3/97  
 2001-01 0504 7837

80-150

POS	BENENNUNG	TYPEN
1	STECKDOSE IN RECHTER KONSOLE - NACHRÜSTUNG	80-150
5	NACHRÜSTUNG - MASSEKABEL	80-150
10	SCHEIBENWASCHANLAGE HINTEN MIT SCHALTER	80-150
15	ARBEITSSCHEINWERFER (HINTEN DACH) AB 3 / 97	80-150
20	ARBEITSSCHEINWERFER (HINTEN UNTEN) AB 3 / 97	80-150
25	ARBEITSSCHEINWERFER (2 STÜCK,VORNE AUF BPLO) AB 3 / 97	80-150
70	RUNDUMKENNLEUCHTE MIT SCHALTER	80-150

CLICK HERE TO **DOWNLOAD** THE COMPLETE MANUAL

- Thank you very much for reading the preview of the manual.
- You can download the complete manual from: [www.heydownloads.com](http://www.heydownloads.com) by clicking the link below



- Please note: If there is no response to CLICKING the link, please download this PDF first and then click on it.

CLICK HERE TO **DOWNLOAD** THE COMPLETE MANUAL