

Agroplus 77

V0 - BALLAST, TOWING HITCHES

FRONT HITCHES

FRONT TOWING HITCH.....	V0.01.0 (1)
FRONT TOWING HITCH.....	V0.01.1 (1)

REAR HITCHES

SEPARATOR.....	V0.02.0 (1)
SPACER FOR TYPES WITH P.T.O. - 540/N - WITH INSERTED END SHAFTS.....	V0.02.1 (1)
SPACERS FOR P.T.O. - 540 - 750 - WITH INSERTED END SHAFTS.....	V0.02.3 (1)
SPACER FOR TYPES WITH 2-SPEED P.T.O. WITH INSERTED END SHAFTS 540-750.....	V0.02.4 (1)
SPACERS FOR P.T.O. - 540 - 750 - WITH INSERTED END SHAFTS + SYNCRO.....	V0.02.6 (1)
SEPARATOR - PTO - 3-SPEED WITH INSERTED END SHAFT.....	V0.02.7 (1)
SPACER FOR TYPES WITH PTO WITH INTERCHANGEABLE OUTPUT SHAFTS - 2 -SPEED + GROUNDSP. AND 3- SPEED.....	V0.02.8 (1)
SUPPORTS.....	V0.02.10 (1)
SUPPORTS.....	V0.02.11 (1)
PIN FOR REAR TOW HOOK.....	V0.02.12 (1)
REAR TOWING HITCH.....	V0.02.13 (1)
REAR TOWING HITCH CAT. " D ".....	V0.02.14 (1)
REAR TOWING HITCH - EXPORT CH.....	V0.02.16 (2)
REAR TOWING HITCH.....	V0.02.17 (1)
REAR TOWING HITCH BRACKET.....	V0.02.18 (1)
REAR TOWING HITCH BRACKET.....	V0.02.19 (1)
REAR TOWING HITCH BRACKET.....	V0.02.19 (2)
REAR TOWING HITCH BRACKET.....	V0.02.20 (1)
FRAME HOOK HOLDER - FOR TYPES WITH PITON-FIX.....	V0.02.21 (1)
FRAME HOOK HOLDER - FOR TYPES WITH PITON-FIX.....	V0.02.21 (2)
FRAME HOOK HOLDER - FOR TYPES WITH PITON-FIX.....	V0.02.21 (3)
FRAME HOOK HOLDER - FOR TYPES WITH PITON-FIX.....	V0.02.22 (1)
REAR TOWING HITCH CAT. " C ".....	V0.02.23 (2)
REAR TOWING HITCH CEE.....	V0.02.24 (2)
REAR TOWING HITCH CAT. " D ".....	V0.02.25 (2)
REAR TOWING HITCH CAT. " D2 ".....	V0.02.26 (2)
REAR TOWING HITCH CAT. " D2 ".....	V0.02.27 (1)
AUTOMATIC REAR TOWING HITCH CEE Ø 31.....	V0.02.28 (1)
DRAWBAR COUPLING AUTOM. Ø 38.....	V0.02.29 (2)
REAR TOWING HITCH CEE.....	V0.02.30 (1)
REAR TOWING HITCH CEE.....	V0.02.31 (1)
REAR SWINGING TOWING-HITCH.....	V0.02.32 (1)
REAR SWINGING TOWING-HITCH.....	V0.02.34 (1)
REAR SWINGING TOWING-HITCH.....	V0.02.35 (1)
PICK-UP-HITCH - MECHANICAL.....	V0.02.37 (1)
DRAWBAR COUPLING mm 38.....	0.014.4449.3/20.A
DRAWBAR COUPLING mm 38.....	0.014.4449.3/30.A

CLICK HERE TO **DOWNLOAD** THE COMPLETE MANUAL

- Thank you very much for reading the preview of the manual.
- You can download the complete manual from: www.heydownloads.com by clicking the link below



- Please note: If there is no response to CLICKING the link, please download this PDF first and then click on it.

CLICK HERE TO **DOWNLOAD** THE COMPLETE MANUAL

Agroplus 77

Section: V0 - BALLAST, TOWING HITCHES

Ref.: V0.02.8 (1)

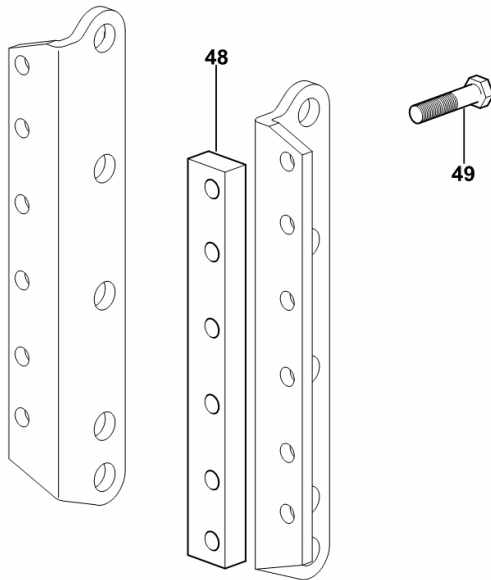
**SPACER FOR TYPES WITH PTO WITH INTERCHANGEABLE OUTPUT SHAFTS - 2
-SPEED + GROUNDSP. AND 3- SPEED**

Fig.	Code	QTY	Name
------	------	-----	------

Notes:

[Agroplus 77]

48	0.011.3480.0	2	spacer 45 x 365 x 25
49	2.0112.623.2	12	screw m 16 p.2 x 70




9_H6036_05_0-C-001

Fig.	Code	QTY	Name
------	------	-----	------

Notes:

[Agroplus 77] -> 1364 - 1365 <-

1	0.015.5752.3	1	chassis frame V.ORLANDI CAT. " D2 "
2	0.014.4485.3	1	plate - V.ORLANDI -  0.014.4485.3
3	2.0314.614.2	12	screw m 16 p.2 x 40
4	2.1475.006.2	12	washer 16

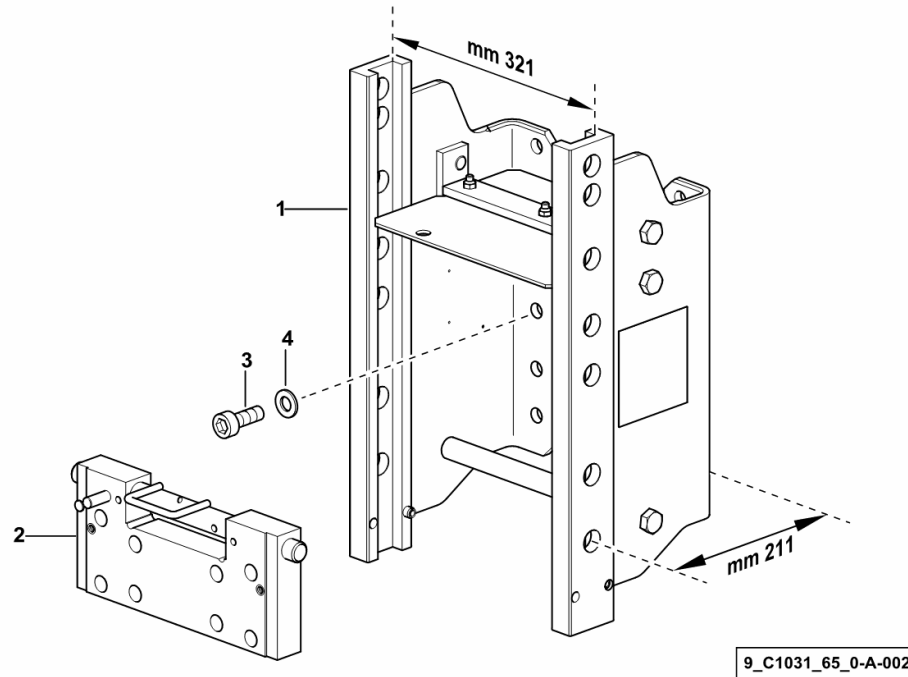

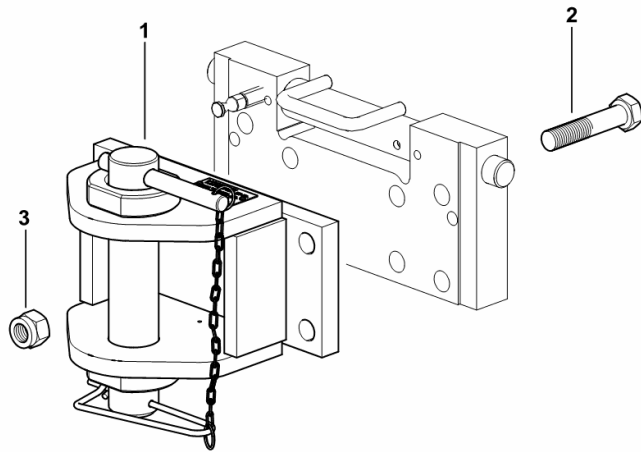


Fig.	Code	QTY	Name
------	------	-----	------

Notes:

[Agroplus 77] -> 1129

1	0.014.4461.3	1	clevis V.ORLANDI CAT. " D2 "  0.014.4461.3
2	2.0112.727.2	4	screw m 18 p.2.5 x 90
3	2.1129.014.2	4	nut m 18 p.2.5



9_F0331_72_0-A-001

DRAWBAR COUPLING mm 38

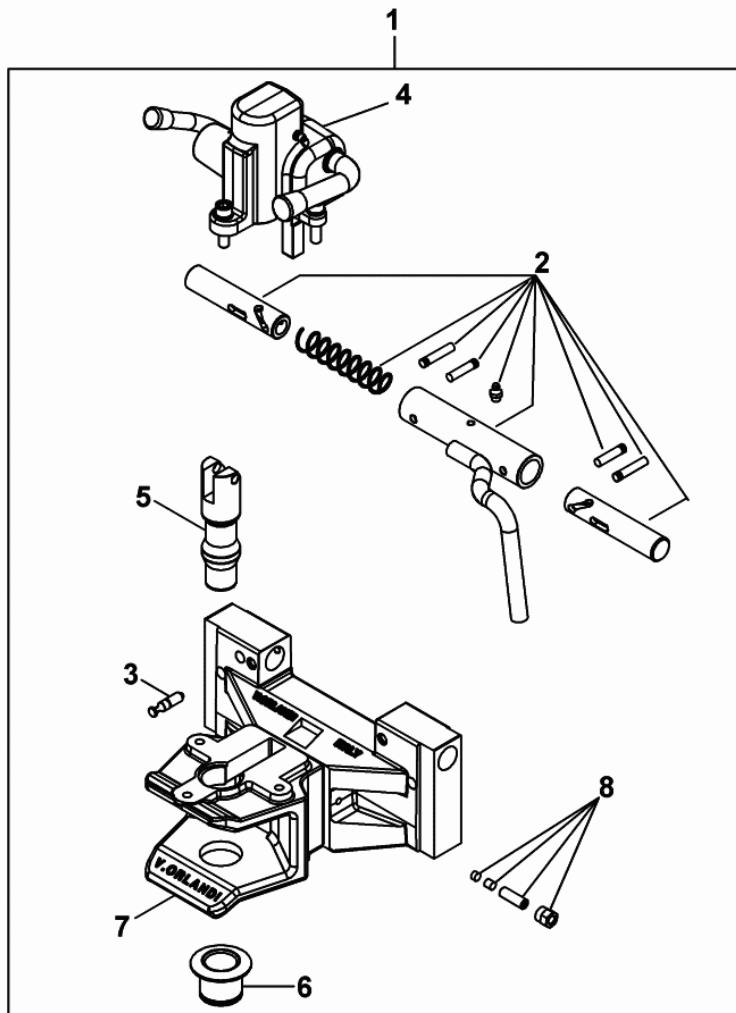


Fig.	Code	QTY	Name
1	0.014.4449.3/30	1	clevis V.ORLANDI - CEE Ø 38
2	0.900.0525.4	1	sub-assy parts
3	0.900.0307.1	1	smau pin
4	0.900.0307.3	1	accessories
5	0.900.0307.4	1	pin mm 38
6	0.900.0307.5	1	sleeve
7	0.000.0000.1	0	not serviceable
8	0.900.0525.3	1	sub-assy parts

0_014_4449_3_30

TRAILER STAND - DRAWBAR COUPLING

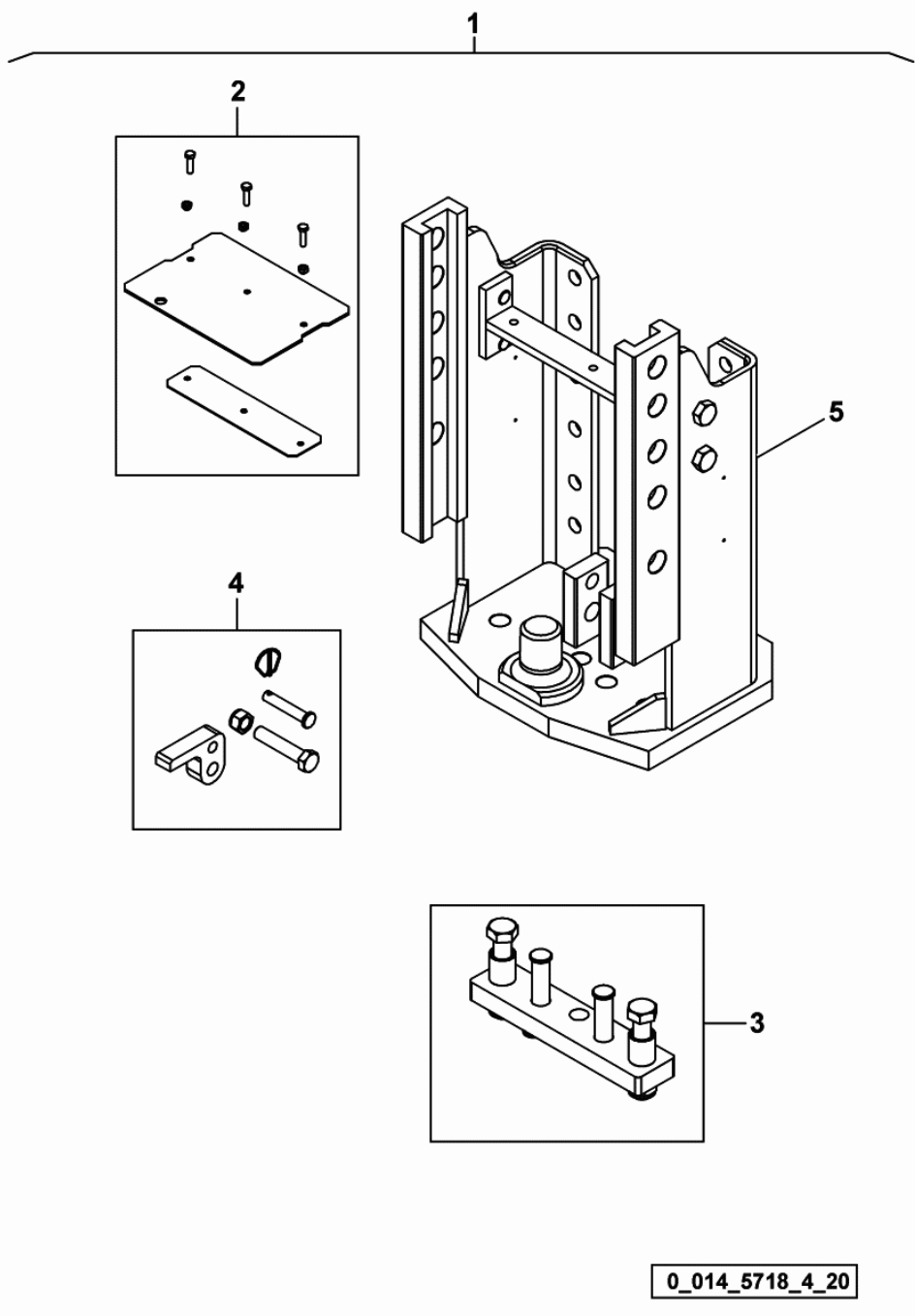


Fig.	Code	QTY	Name
1	0.014.5718.4/20	1	chassis frame
2	0.900.0458.6	1	shield
3	0.900.0458.7	1	support
4	0.900.0458.8	1	small block
5	0.000.0000.1	0	not serviceable

0_014_5718_4_20

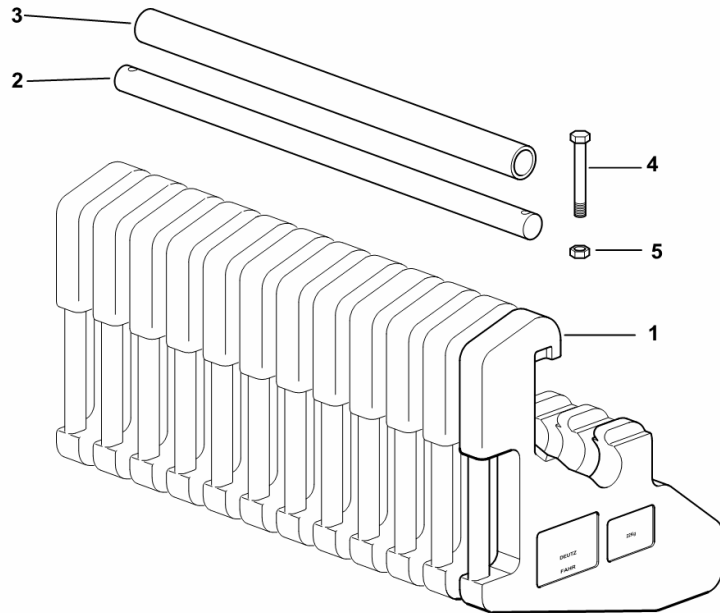
BALLAST 264 Kg

Fig.	Code	QTY	Name
------	------	-----	------

Notes:

[Agroplus 77]

1	0.010.5447.0/10	12	ballast 22 Kg
2	0.010.7132.0	1	pin
3	0.010.7133.0	1	tube
4	2.0112.331.2	2	screw m 10 p.1.5x110
5	2.1019.136.2	2	nut m 10



9_68452_40_0-A-001

CONDENSER.....	0.014.8525.4.A
MECHANICAL CLUTCH CONTROLS	
PIPE FROM OIL TANK TO PUMP.....	G0.10.0 (1)
CLUTCH CONTROL.....	G0.10.1 (1)
CLUTCH CONTROL.....	G0.10.2 (1)
CYLINDER PARTS.....	0.007.1961.4/20.A
PUMP-COMPONENTS.....	0.255.6538.4/50.A
MECHANICAL BRAKE CONTROLS	
BRAKE CONTROLS.....	G0.11.0 (1)
OIL TANK SUPPORT.....	G0.11.2 (1)
HAND BRAKE.....	G0.11.3 (1)
HAND BRAKE.....	G0.11.3 (2)
HAND BRAKE.....	G0.11.4 (1)
BRACKET FOR HANDBRAKE.....	G0.11.5 (1)
TRAILER HANDBRAKE CONTROL CABLE - ITALY.....	G0.11.6 (1)
HANDBRAKE BRACKET FOR TRAILER.....	G0.11.7 (1)
MECHANICAL - ELECTRONIC THROTTLE CONTROLS	
CONTROL PEDAL FOR ELECTRONIC THROTTLE.....	G0.12.3 (1)
HAND CONTROL FOR ELECTRONIC THROTTLE.....	G0.12.4 (1)
ACCELERATOR PEDAL GASKET.....	G0.12.5 (1)
STEERING CONTROLS	
STEERING WHEEL CAP.....	G0.13.4 (1)
STEERING WHEEL CAP.....	G0.13.6 (1)
STEERING WHEEL.....	G0.13.7 (1)
STEERING CONTROL.....	G0.13.8 (1)
STEERING CONTROL WITH ADJUSTABLE STEERING WHEEL.....	G0.13.9 (1)
STEERING ADJUSTMENT.....	G0.13.10 (1)
MECHANICAL GEARSHIFT CONTROLS	
GEAR SHIFTING.....	G0.14.2 (1)
GEARSHIFT LEVER - FOR TYPES WITH MINREDUCTION.....	G0.14.6 (1)
KNOB FOR MECHANICAL SHUTTLE.....	G0.14.7 (1)
KNOB FOR MECHANICAL SHUTTLE.....	G0.14.8 (1)
KNOB FOR 3-RANGE GEARBOX.....	G0.14.10 (1)
PTO CONTROLS	
P.T.O. SHAFT DRIVE.....	G0.16.2 (1)
P.T.O. SHAFT DRIVE.....	G0.16.3 (1)
P.T.O. SHAFT DRIVE.....	G0.16.4 (1)
LIFT CONTROLS	
LIFT CONTROL LEVERS.....	G0.17.1 (1)
TIE RODS FOR LIFT CONTROL LEVERS.....	G0.17.2 (1)
SLIDER FOR LIFT CONTROL LEVERS.....	G0.17.3 (1)
S.A.C. GROUND CONTROL.....	G0.17.5 (1)
REMOTE VALVE CONTROLS	
CONTROLS FOR 4-WAY AUXILIARY SERVICES CONTROL VALVE.....	G0.18.1 (1)

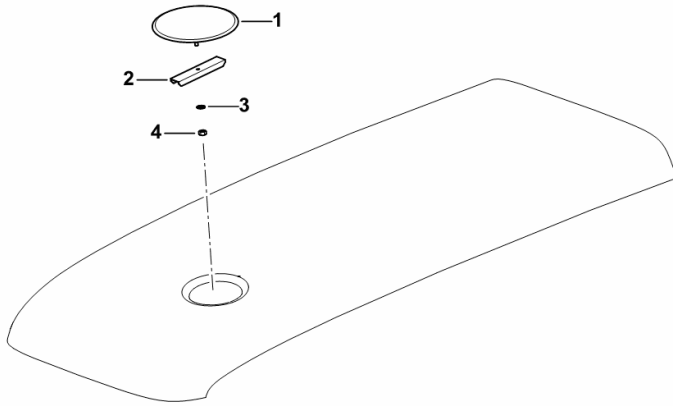
HOOD PLUG

Fig.	Code	QTY	Name
------	------	-----	------

Notes:

[Agroplus 77]

1	0.009.7673.2/20	1	plug
2	0.009.7672.0	1	crosspiece
3	2.1470.052.2	1	lock washer 4
4	2.1011.101.2	2	nut m 4 p.0.7



9_C0872_04_0-A-001

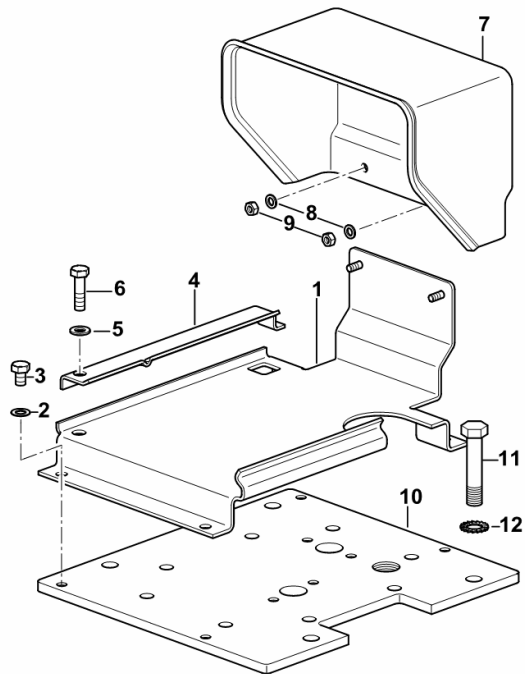
BATTERY SUPPORT

Fig.	Code	QTY	Name
------	------	-----	------

Notes:

- FOR TYPES W/O FRONT LIFT BUT WITH PROVISION FOR FRONT LIFT INSTALLATION [Agroplus 77] 1013 <-

1	0.014.0174.3	1	battery support
2	2.1470.004.2	4	washer 8
3	2.0112.203.2	4	screw m 8 p.1.25 x 12
4	0.013.9470.0/10	1	bracket
5	2.1310.004.2	1	flat washer 8.5
6	2.0112.211.2	1	screw m 8 p.1.25 x 30
7	0.014.0172.0	1	cover
8	2.1470.002.2	2	washer 6, d128
9	2.1011.103.2	2	nut m 6 p.1
10	0.009.6517.0/30	1	cover
11	2.0112.421.2	4	screw m 12 p.1.75 x 60
12	2.1470.007.2	4	lock washer 12



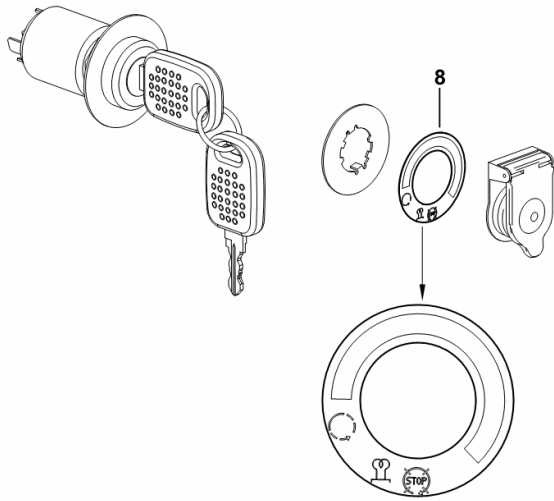
9_C1273_07_0-A-001

Section: G0 - BODYWORK - CAB
START ENABLE PLATE

Fig.	Code	QTY	Name
------	------	-----	------

Notes:
[Agroplus 77]

8	0.010.0492.0/20	1	plate
---	-----------------	---	-------



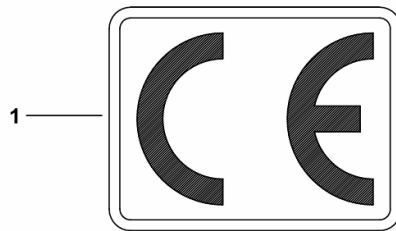
9_C1284_03_0-B-001

Section: G0 - BODYWORK - CAB
IDENTIFICATION PLATE " CE "

Fig.	Code	QTY	Name
------	------	-----	------

Notes:
[Agroplus 77] 1145 <-

1	2.9929.566.0	1	plate " CE "
---	--------------	---	--------------



9_62074_30_0-A-001

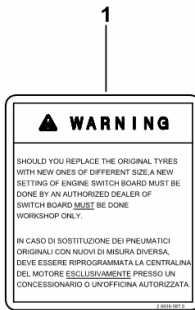
INFORMATION PLATE

Fig.	Code	QTY	Name
------	------	-----	------

Notes:

[Agroplus 77] 1810 <-

1	2.9939.087.0	1	plate
---	--------------	---	-------



9_B6174_00_0-A-001

SPEED DATA PLATES

Fig.	Code	QTY	Name
------	------	-----	------

Notes:

[Agroplus 77]

104.1	2.9929.888.0/10	1	plate 40 Km/h 45+45
104.2	2.9929.889.0/10	1	plate 30 Km/h 45+45
104.3	2.9929.890.0/20	1	plate 40 Km/h 30+15
104.4	2.9929.891.0/20	1	plate 30 Km/h 30+15
104.5	2.9929.892.0/20	1	plate 40 Km/h 20+10
104.6	2.9929.893.0/20	1	plate 30 Km/h 20+10
104.7	2.9929.894.0/10	1	plate 40 Km/h 45+45 ECO

5x2+mini (40Km/h)

mm	1400	1800	1987	2200	RPM				
1	0.84	1.14	1.30	1.48	1.62	1.80	1.97	2.16	s
2	1.34	1.62	1.72	2.00	1.88	2.38	2.10	2.68	P
3	1.92	2.33	2.47	2.89	2.69	3.37	3.01	3.80	E
4	2.68	3.36	3.49	4.18	3.77	4.67	4.21	5.41	D
5	3.73	4.63	4.79	5.82	5.24	6.50	5.88	7.71	=====
6	5.19	6.38	6.60	8.06	7.24	8.79	8.10	10.00	Km/h
7	7.07	8.84	9.17	11.16	10.04	12.58	11.6	14.1	T
8	9.69	12.0	12.5	15.4	14.0	17.6	16.0	20.1	Y
9	13.1	17.0	17.6	22.0	20.0	24.2	22.1	27.1	R
10	17.6	22.4	23.2	29.0	26.5	32.0	30.1	36.1	=====
P	384	494	540	604					RPM
T	485	623	681	762					RPM
O	685	881	963	1077					RPM
L	←				H				

104.5

5x3+HML (40Km/h)

mm	1400	1800	1987	2200	RPM				
1	0.84	1.14	1.30	1.48	1.62	1.80	1.97	2.16	s
2	1.34	1.62	1.72	2.00	1.88	2.38	2.10	2.68	P
3	1.92	2.33	2.47	2.89	2.69	3.37	3.01	3.80	E
4	2.68	3.36	3.49	4.18	3.77	4.67	4.21	5.41	D
5	3.73	4.63	4.79	5.82	5.24	6.50	5.88	7.71	=====
6	5.19	6.38	6.60	8.06	7.24	8.79	8.10	10.00	Km/h
7	7.07	8.84	9.17	11.16	10.04	12.58	11.6	14.1	T
8	9.69	12.0	12.5	15.4	14.0	17.6	16.0	20.1	Y
9	13.1	17.0	17.6	22.0	20.0	24.2	22.1	27.1	R
10	17.6	22.4	23.2	29.0	26.5	32.0	30.1	36.1	=====
P	384	494	540	604					RPM
T	485	623	681	762					RPM
O	685	881	963	1077					RPM
L	←				H				

104.1

5x2+mini (30Km/h)

mm	1400	1800	1987	2200	RPM				
1	0.78	1.08	1.24	1.42	1.56	1.74	1.92	2.10	s
2	1.07	1.32	1.38	1.67	1.54	1.92	1.80	2.28	P
3	1.44	1.78	1.86	2.28	2.08	2.60	2.37	2.97	E
4	2.00	2.46	2.59	3.18	2.88	3.60	3.17	3.96	D
5	2.69	3.40	3.51	4.38	3.94	4.91	4.41	5.59	=====
6	3.69	4.71	4.89	6.05	5.45	6.69	6.09	7.60	Km/h
7	4.94	6.32	6.54	8.24	7.38	9.05	8.21	10.2	T
8	6.54	8.40	8.74	11.0	10.0	12.2	11.2	13.8	Y
9	8.74	11.3	11.7	14.8	13.6	16.6	15.4	19.1	R
10	11.7	15.3	15.8	19.8	18.2	22.6	21.0	26.1	=====
P	384	494	540	604					RPM
T	485	623	681	762					RPM
O	685	881	963	1077					RPM
L	←				H				

104.6

5x3+mini (30Km/h)

mm	1400	1800	1987	2200	RPM				
1	0.78	1.04	1.14	1.37	1.50	1.69	1.89	2.10	s
2	1.07	1.39	1.49	1.82	1.69	2.12	1.99	2.52	P
3	1.44	1.82	1.92	2.36	2.16	2.73	2.49	3.15	E
4	2.00	2.52	2.63	3.24	2.94	3.69	3.31	4.17	D
5	2.69	3.46	3.57	4.44	4.00	5.01	4.51	5.69	=====
6	3.69	4.79	4.97	6.15	5.55	6.66	6.06	7.60	Km/h
7	4.94	6.32	6.54	8.24	7.38	8.05	7.45	9.20	T
8	6.54	8.40	8.74	11.0	10.0	12.2	11.2	13.8	Y
9	8.74	11.3	11.7	14.8	13.6	16.6	15.4	19.1	R
10	11.7	15.3	15.8	19.8	18.2	22.6	21.0	26.1	=====
P	384	494	540	604					RPM
T	485	623	681	762					RPM
O	685	881	963	1077					RPM
L	←				H				

104.4

5x3+HML (30Km/h)

mm	1400	1800	1987	2200	RPM				
1	0.84	1.14	1.30	1.48	1.62	1.80	1.97	2.16	s
2	1.34	1.62	1.72	2.00	1.88	2.38	2.10	2.68	P
3	1.92	2.33	2.47	2.89	2.69	3.37	3.01	3.80	E
4	2.68	3.36	3.49	4.18	3.77	4.67	4.21	5.41	D
5	3.73	4.63	4.79	5.82	5.24	6.50	5.88	7.71	=====
6	5.19	6.38	6.60	8.06	7.24	8.79	8.10	10.00	Km/h
7	7.07	8.84	9.17	11.16	10.04	12.58	11.6	14.1	T
8	9.69	12.0	12.5	15.4	14.0	17.6	16.0	20.1	Y
9	13.1	17.0	17.6	22.0	20.0	24.2	22.1	27.1	R
10	17.6	22.4	23.2	29.0	26.5	32.0	30.1	36.1	=====
P	384	494	540	604					RPM
T	485	623	681	762					RPM
O	685	881	963	1077					RPM
L	←				H				

104.2

5x3+mini (40Km/h)

mm	1400	1800	1987	2200	RPM				
1	0.15	0.19	0.23	0.27	0.32	0.38	0.45	0.53	s
2	0.21	0.28	0.27	0.33	0.30	0.38	0.36	0.45	P
3	0.30	0.37	0.38	0.47	0.45	0.56	0.54	0.67	E
4	0.42	0.52	0.53	0.65	0.62	0.77	0.74	0.91	D
5	0.58	0.72	0.74	0.90	0.85	1.04	0.99	1.21	=====
6	0.79	1.00	1.03	1.26	1.19	1.47	1.39	1.70	Km/h
7	1.06	1.39	1.44	1.76	1.67	2.05	1.95	2.40	T
8	1.41	1.87	1.93	2.40	2.28	2.81	2.69	3.35	Y
9	1.89	2.50	2.57	3.20	3.07	3.78	3.64	4.53	R
10	2.53	3.36	3.44	4.29	4.11	5.09	4.90	6.09	=====
P	384	494	540	604					RPM
T	485	623	681	762					RPM
O	685	881	963	1077					RPM
L	←				H				

104.3

5x3+HML Versione ECO (40Km/h)

mm	1400	1800	1987	2200	RPM				
1	0.15	0.19	0.23	0.27	0.32	0.38	0.45	0.53	s
2	0.21	0.28	0.27	0.33	0.30	0.38	0.36	0.45	P
3	0.30	0.37	0.38	0.47	0.45	0.56	0.54	0.67	E
4	0.42	0.52	0.53	0.65	0.62	0.77	0.74	0.91	D
5	0.58	0.72	0.74	0.90	0.85	1.04	0.99	1.21	=====
6	0.79	1.00	1.03	1.26	1.19	1.47	1.39	1.70	Km/h
7	1.06	1.39	1.44	1.76	1.67	2.05	1.95	2.40	T
8	1.41	1.87	1.93	2.40	2.28	2.81	2.69	3.35	Y
9	1.89	2.50	2.57	3.20	3.07	3.78	3.64	4.53	R
10	2.53	3.36	3.44	4.29	4.11	5.09	4.90	6.09	=====
P	384	494	540	604					RPM
T	485	623	681	762					RPM
O	685	881	963	1077					RPM
L	←				H				

9_C1231_00_0-C-001

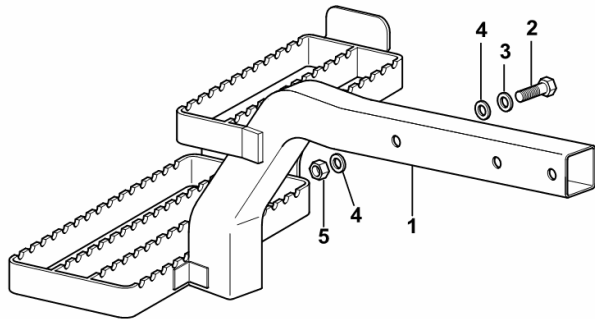
LADDER - DX/RH/RE

Fig.	Code	QTY	Name
------	------	-----	------

Notes:

[Agroplus 77]

1	0.013.4021.3/10	1	climbing steps dx/rh/re
2	2.0112.322.2	1	screw m 10 p.1.5x65
3	2.1470.006.2	1	lock washer 10
4	2.1312.005.2	2	washer 10.2
5	2.1011.106.2	1	nut m 10 p.1.5



9_64876_06_0-A-001

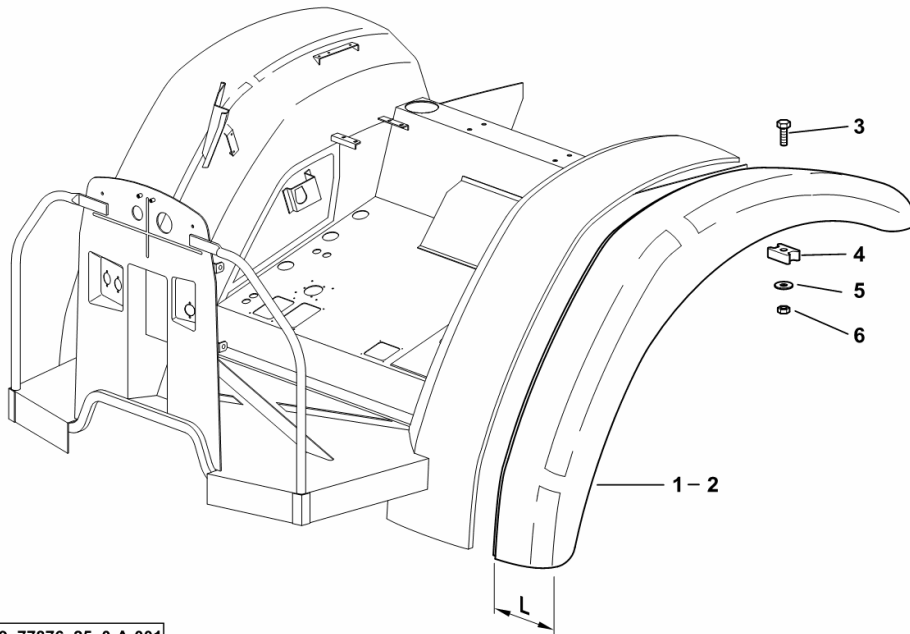
MUDGUARDS EXTENSIONS L=180

Fig.	Code	QTY	Name
------	------	-----	------

Notes:

[Agroplus 77]

1	0.010.7564.0/20	1	extension dx/rh/re
2	0.010.7565.0/20	1	extension sx/lh/li
3	2.0112.207.2	18	screw m 8 p 1.25 x 20
4	0.007.5537.0	18	small block
5	2.1312.004.2	18	washer 8.4
6	2.1120.105.2	18	selflock nut m 8 p.1.25



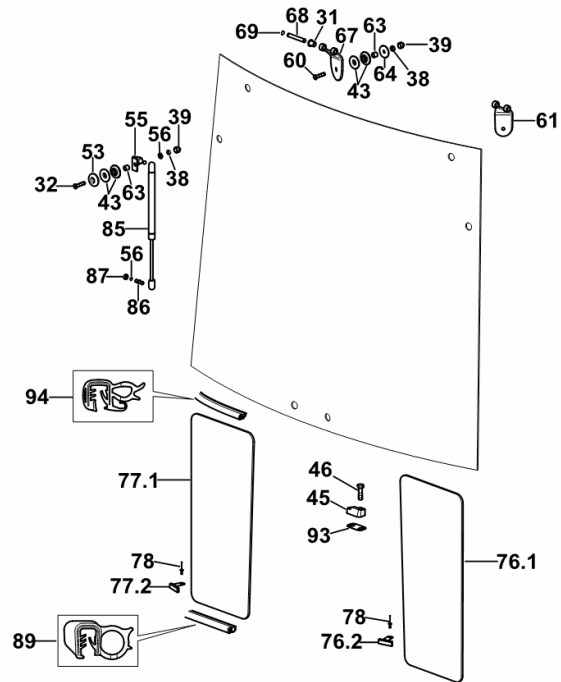
9_77876_25_0-A-001

GLASSES AND SEALS

Fig.	Code	QTY	Name
------	------	-----	------

Notes:

[Agroplus 77] 1160 <-



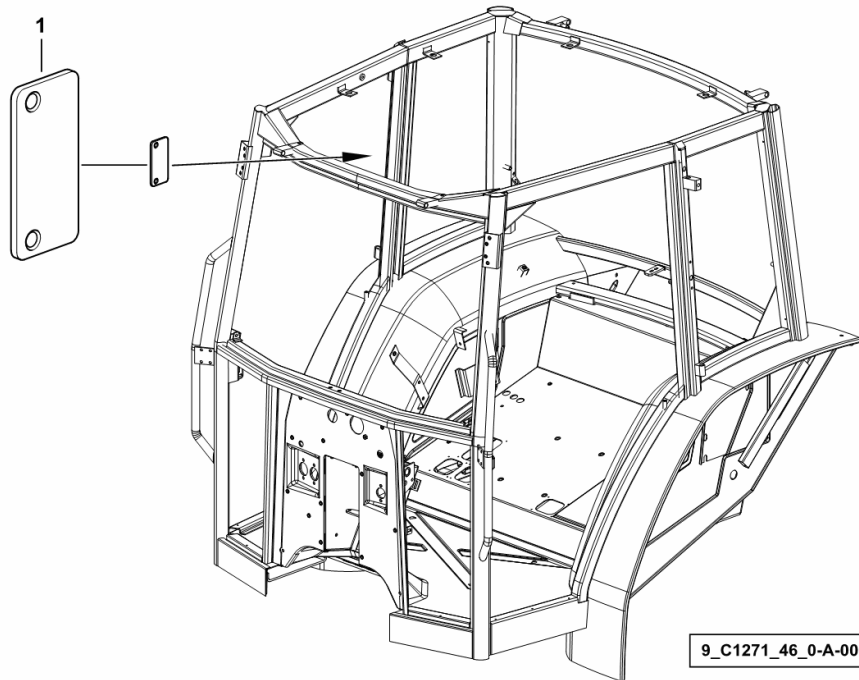
31	2.1559.147.0	16	bushing 10 x 28 x 18
32	2.0349.002.3	6	screw m 8 p.1.25 x 30
38	2.1120.105.2	14	selflock nut m 8 p.1.25
39	0.163.7856.0	14	cap
43	0.009.0422.0	20	gasket
45	0.007.6348.0/20	1	stop
46	2.0312.104.2	2	screw m 6 p.1 x 16
53	2.1499.093.0/10	6	washer 8.5
55	0.007.6188.2	4	bracket
56	2.1310.004.2	6	flat washer 8.5
60	2.0349.003.3	12	screw m 8 p.1.25 x 35
61	0.007.6347.2/10	1	hinge sx/lh/li (1148 <-)
61	0.015.0084.2/10	1	hinge sx/lh/li (-> 1150)
63	2.1579.450.2	4	spacer 8.5 x 14 x 12
64	2.1599.495.2	4	washer 8.5
67	0.007.6346.2/10	1	hinge dx/rh/re (1148 <-)
67	0.015.0063.2/10	1	hinge dx/rh/re (-> 1150)
68	2.1699.428.2	2	pin 9.6 x 71.5
69	2.1410.001.1	8	circlip 10
76.1	0.009.7697.0/30	1	window glass
76.2	0.009.7708.0	1	small spring
77.1	0.009.7697.0/30	1	window glass
77.2	0.009.7708.0	1	small spring
78	2.1855.110.0	6	rivet 4.2
85	0.009.8629.2	2	shoch.absorber mm 405.5 (1103 <-)
85	0.010.6269.0	2	shoch.absorber mm 585 (-> 1104)
86	0.009.8760.0	6	ball joint
87	2.1011.105.2	2	nut m 8 p.1.25
89	0.015.4666.0	19.5	gasket
93	0.010.4364.0	1	shim
94	0.015.6332.0	3.5	gasket

WINDOW FIXING PLATE

Fig.	Code	QTY	Name
------	------	-----	------

Notes:
[Agroplus 77]

1	0.010.5567.0	1	small plate
---	--------------	---	-------------

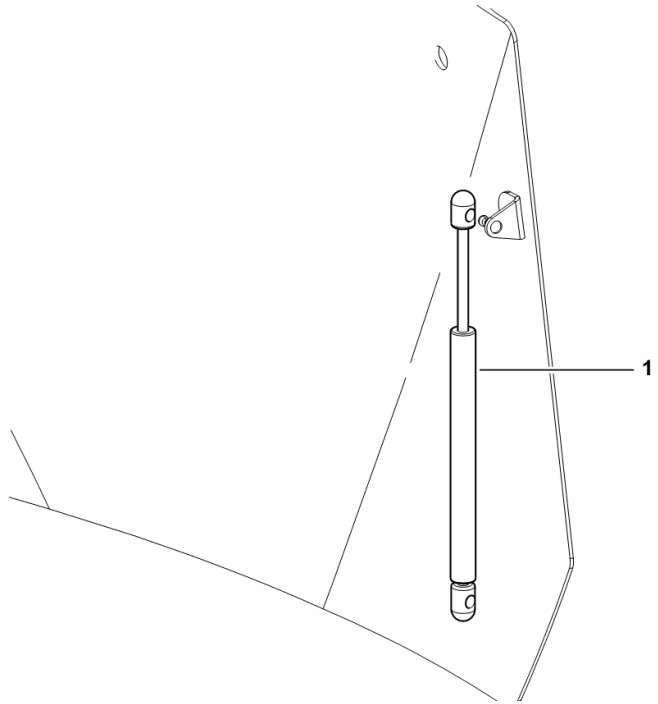


DAMPER FOR REAR WINDOW HATCH

Fig.	Code	QTY	Name
------	------	-----	------

Notes:
- FOR "HIGH VISIBILITY" CAB [Agroplus 77]

1	0.010.6267.0	2	shoch.absorber
---	--------------	---	----------------



9_77871_12_0-A-001

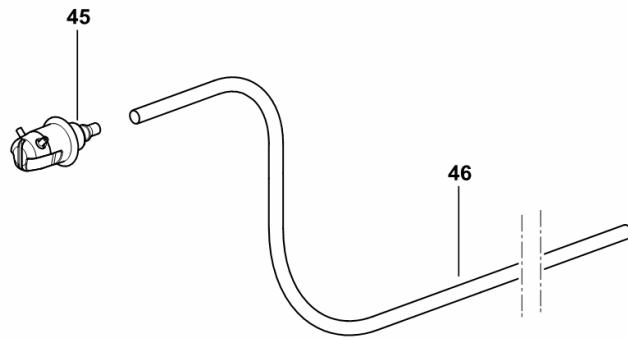
PISTON COOL.NOZZLE

Fig.	Code	QTY	Name
------	------	-----	------

Notes:

- FOR TYPES WITH HEATING AND AIR CONDITIONING [Agroplus 77] 1296 <-

45	0.013.9974.4	1	cooling nozze
46	0.007.7771.0	1	tube mm 4x6x2600



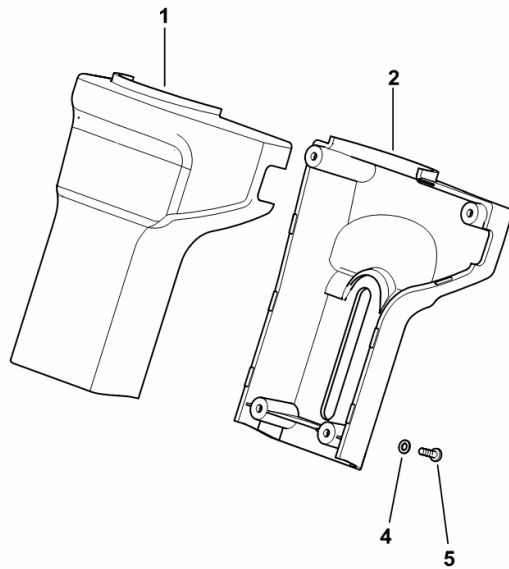
9_18471_65_0-H-001

Section: G0 - BODYWORK - CAB
STEERING COLUMN SHROUD

Fig.	Code	QTY	Name
------	------	-----	------

Notes:
 [Agroplus 77]

1	0.009.7840.2	1	cover
2	0.009.7841.0/10	1	cover
4	2.1470.001.2	4	lock washer 5
5	2.0332.306.2	6	screw m 5x0.8x16



9_64874_02_0-A-001

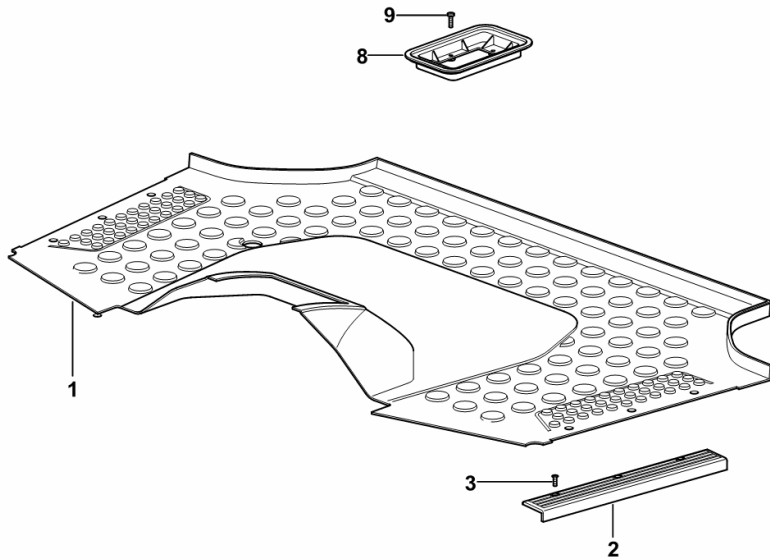
INTERIOR TRIM

Fig.	Code	QTY	Name
------	------	-----	------

Notes:

- FOR MODELS WITH PLATFORM [Agroplus 77]

1	0.010.5626.2	1	small carpet
2	0.258.7660.0/10	2	guard
3	2.0351.555.3	6	screw 4.8x16
8	0.010.0954.0/10	1	cup
9	2.0350.255.3	4	screw m 3.5 x 16 -AB-



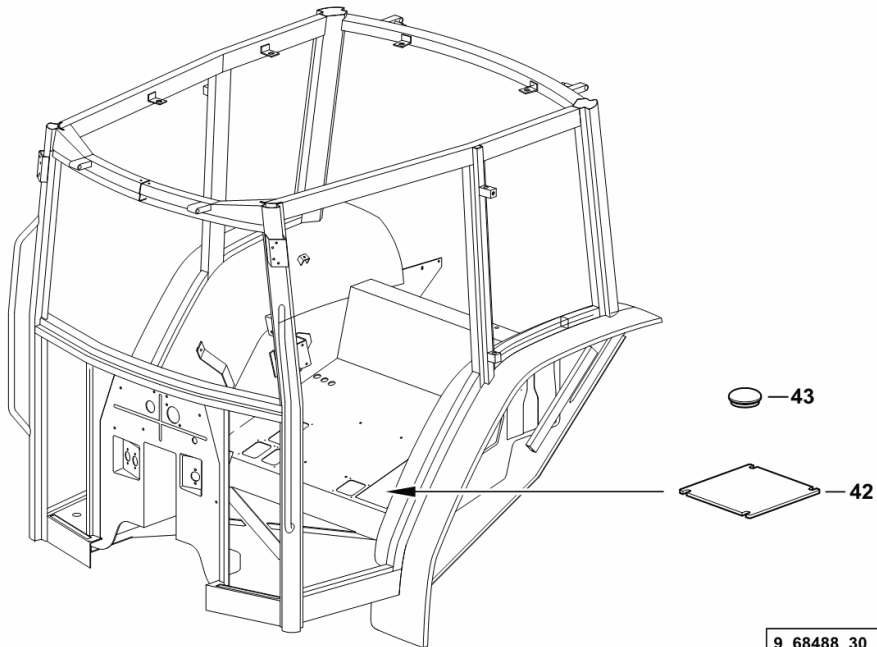
9_68476_01_0-A-001

FLOOR PLUGS FOR TYPES WITH 4-WAY REMOTE VALVE

Fig.	Code	QTY	Name
------	------	-----	------

Notes:
[Agroplus 77]

42	0.009.7288.0/10	1	lamination
43	0.010.1453.0	1	plug 22



9_68488_30_0-C-001

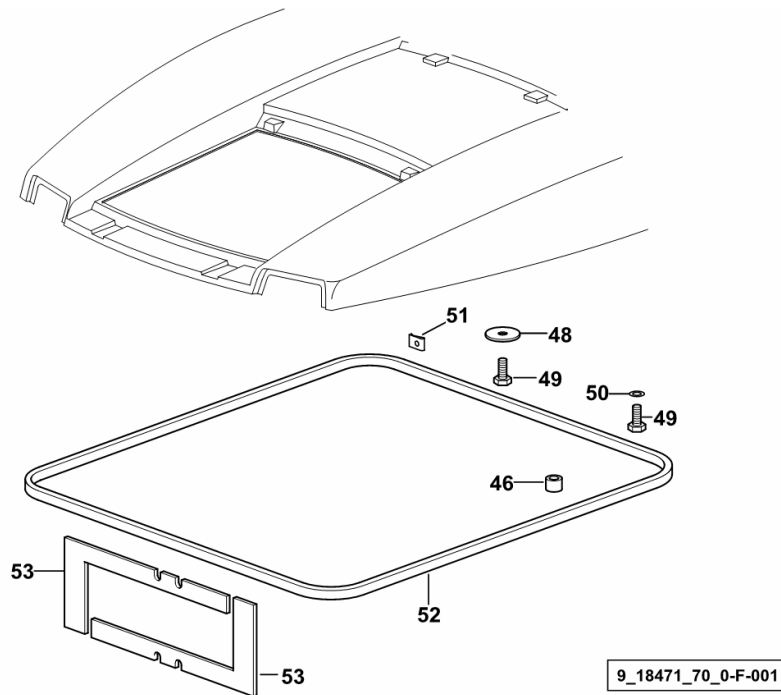
Section: G0 - BODYWORK - CAB
ROOF COVERING FOR SKYLIGHT

Fig.	Code	QTY	Name
------	------	-----	------

Notes:

HIGHT VISIBILITY - FOR TRACTORS WITH AIR HEATING [Agroplus 77]

46	2.1579.450.2	2	spacer 8.5 x 14 x 12
48	2.1599.584.2	6	snoulder 9 x 30 x 2
49	2.0112.205.2	8	screw m 8 p.1.25 x 16
50	2.1312.004.2	2	washer 8.4
51	2.6999.041.0	1	small spring
52	0.013.4027.0	5	gasket
53	0.010.0756.0/10	2	gasket



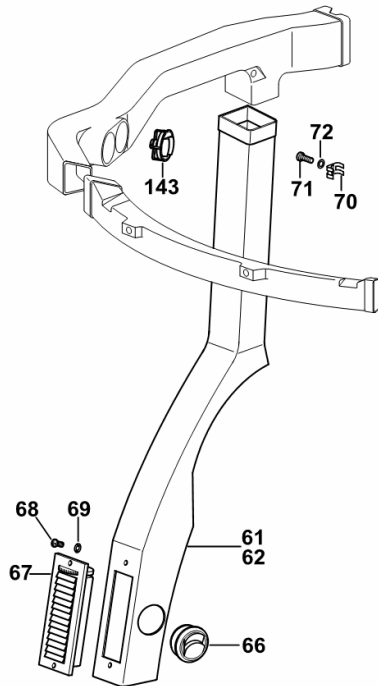
AIR GUIDANCE

Fig.	Code	QTY	Name
------	------	-----	------

Notes:

- WITH "HIGH VISIBILITY" CAB [Agroplus 77]

61	0.011.1199.2	1	tube sx/lh/li
62	0.011.1206.2	1	tube dx/rh/re
66	0.009.0455.4	2	tongue mm 67.5
67	0.009.0510.4	2	tongue
68	2.0350.255.3	4	screw m 3.5 x 16 -AB-
69	0.98706.85.0	4	small spring
70	0.011.1200.0/10	4	small spring
71	2.0332.203.2	8	screw m 4 x 10
72	2.1312.001.2	8	washer 4
143	0.011.4330.2/10	4	tongue mm 68



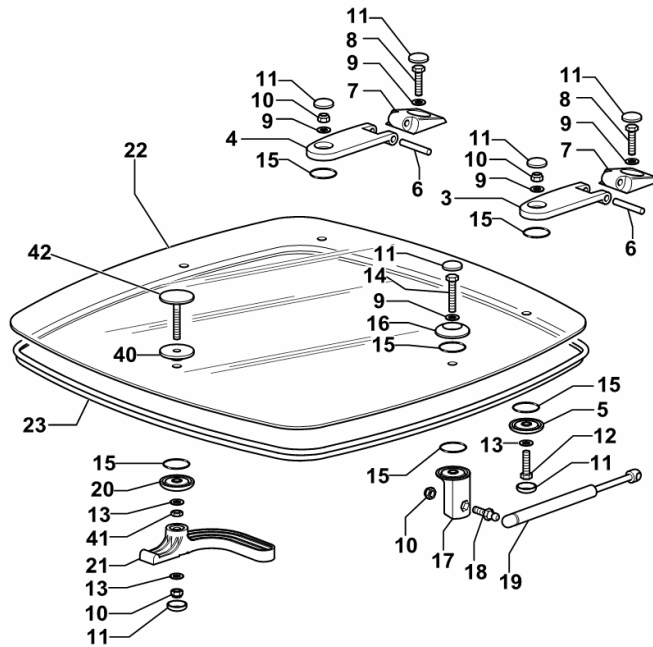
9_64771_22_0-C-001

Section: G0 - BODYWORK - CAB
SKYLIGHT WITH GLASS

Fig.	Code	QTY	Name
------	------	-----	------

Notes:
 HIGHT VISIBILITY - FOR TRACTORS WITH AIR HEATING [Agroplus 77]

3	0.010.7525.0	1	hinge dx/rh/re
4	0.010.6479.0	1	hinge sx/lh/li
5	04411716	2	washer
6	2.1699.486.2	2	pin
7	0.010.6480.0	2	hinge
8	2.0112.210.2	2	screw m 8 p.1.25 x 28
9	2.1310.004.2	24	flat washer 8.5
10	2.1120.005.2	6	nut m 8 p.1.25
11	04413793	9	cap
12	2.0112.211.2	2	screw m 8 p.1.25 x 30
13	2.1310.004.2	4	flat washer 8.5
14	2.0112.215.2	2	screw m 8 p.1.25 x 40
15	2.1530.078.0	9	'o' ring 29.74x3.53
16	04411716	2	washer
17	0.010.7738.0/10	2	support
18	04399070	2	ball joint
19	04414159	2	shoch.absorber
20	04411716	1	washer
21	0.010.6477.0	1	handle
22	0.011.1010.0/20	1	cover
23	0.011.1290.0	1	gasket
40	0.010.7737.0	1	gasket
41	2.1011.105.2	1	nut m 8 p.1.25
42	0.010.7736.2	1	screw



9_18471_70_0-A-001

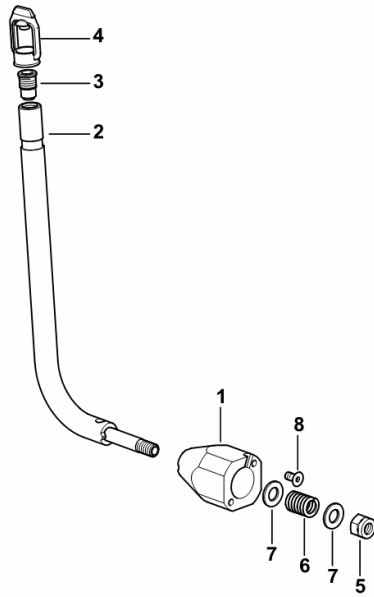
Section: G0 - BODYWORK - CAB
FLASHING LIGHT SUPPORT

Fig.	Code	QTY	Name
------	------	-----	------

Notes:

- FOR "HIGH VISIBILITY" CAB [Agroplus 77]

1	0.010.6993.0/10	1	support
2	0.010.6992.2/10	1	tube
3	2.6039.017.0	1	socket
4	0.009.6650.0	1	cap
5	2.1120.008.2	1	selflock nut m 14 p.1.75
6	2.4019.664.2	1	spring
7	2.1310.009.2	2	flat washer 14
8	2.0342.303.6	2	screw m 8 p. 1.25x16



9_68471_34_0-A-001

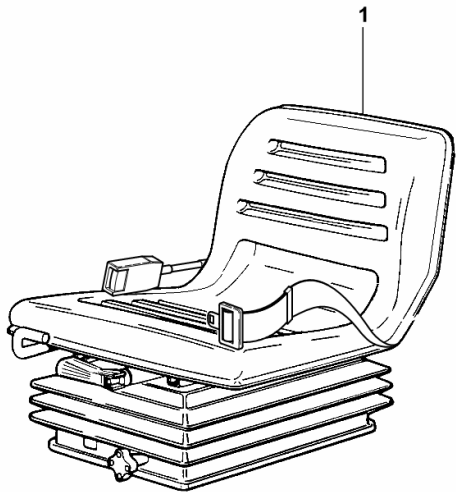
DRIVER'S SEAT GRAMMER MSG 83/7L

Fig.	Code	QTY	Name
------	------	-----	------

Notes:

[Agroplus 77] 1189 <-

1	0.007.5683.4/10	1	seat GRAMMER MSG 83/7L - IN PVC ☞ 0.007.5683.4/10
---	-----------------	---	---



9_64875_10_0-A-001

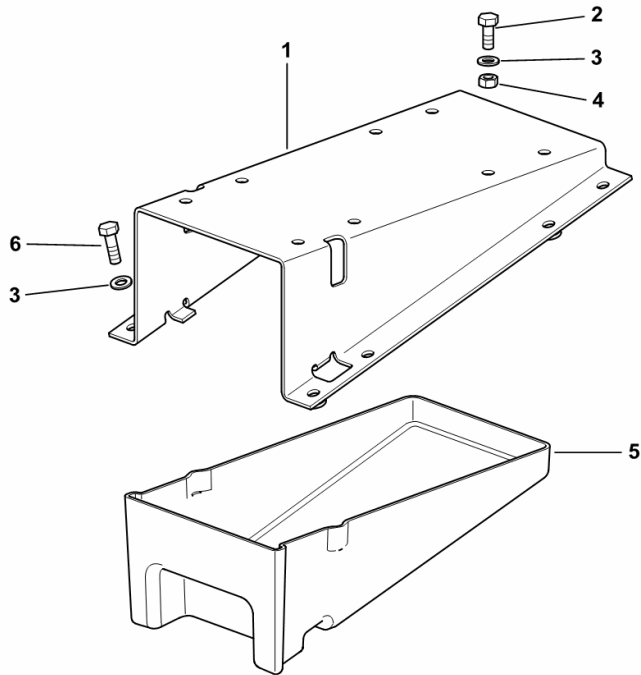
SEAT SUPPORT PLATE

Fig.	Code	QTY	Name
------	------	-----	------

Notes:

[Agroplus 77]

1	0.009.6932.2	1	plate
2	2.0112.207.2	4	screw m 8 p 1.25 x 20
3	2.1310.004.2	8	flat washer 8.5
4	2.1011.105.2	4	nut m 8 p.1.25
5	0.007.7914.0/40	1	glove pocket
6	2.0112.209.2	4	screw m 8 p 1.25 x 25



9_64875_00_0-A-001

Section: G0 - BODYWORK - CAB
SEAT-COMPONENTS

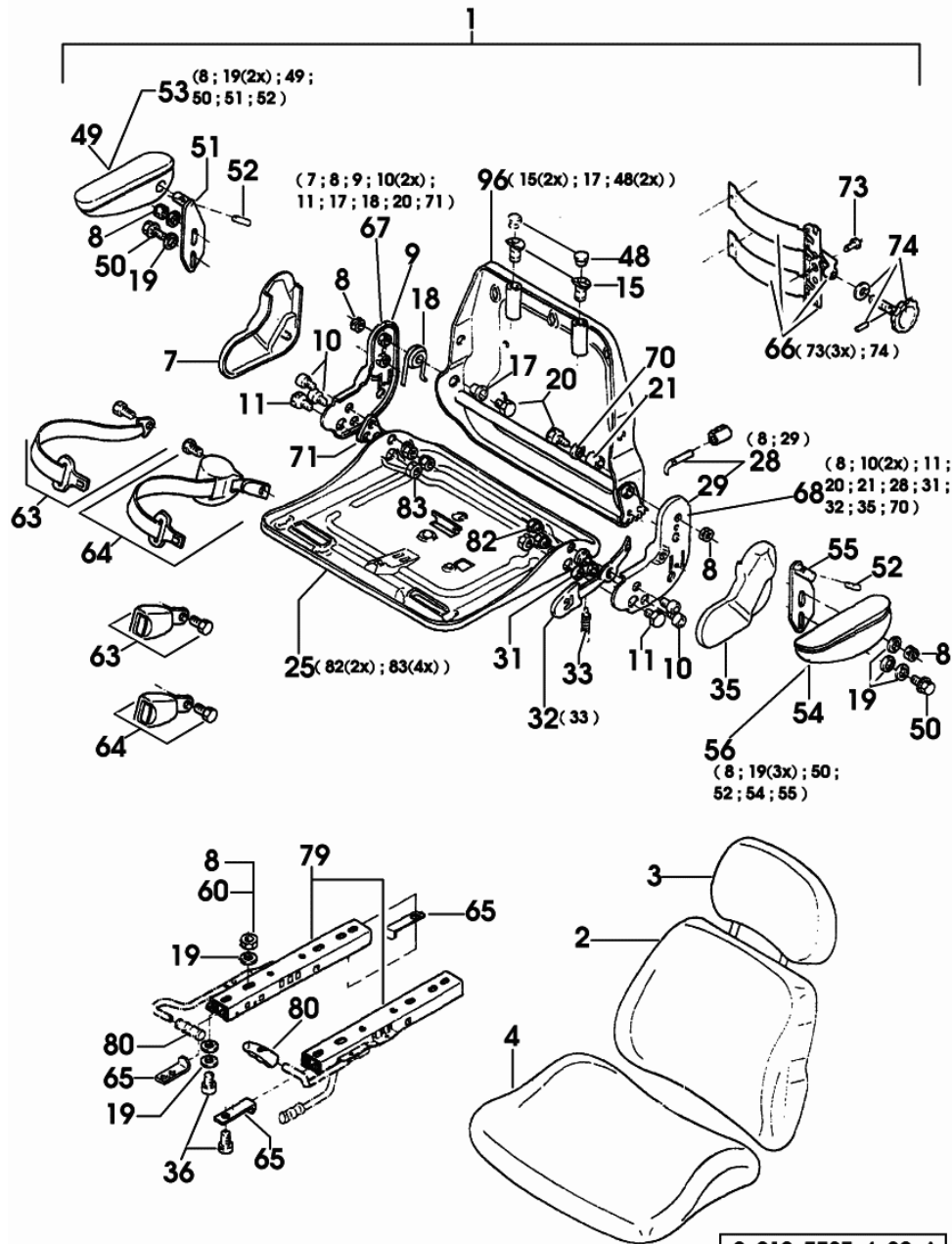


Fig.	Code	QTY	Name
80	0.010.2268.2	1	knob
82	0.000.0000.1	0	not serviceable
83	0.000.0000.1	0	not serviceable
96	0.010.2981.0	1	plate


0_010_7727_4_20_A

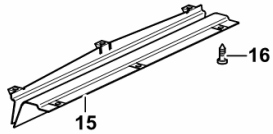
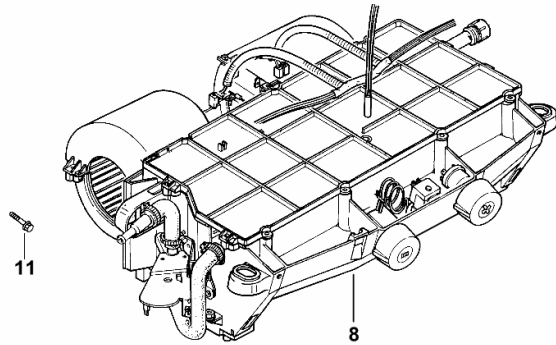
Section: G0 - BODYWORK - CAB
VENTILATION - HEATING

Fig.	Code	QTY	Name
------	------	-----	------

Notes:

- FOR TRACTORS WITH AIR HEATING [Agroplus 77] -> 1304

8	0.010.8108.4/20	1	cab heating (1785 <-)
8	0.010.8108.4/30	1	cab heating (-> 1801)  0.010.8108.4/30
11	2.0112.213.2	4	screw m 8 p.1.25 x 35
15	0.013.3352.0	1	blower
16	2.0350.253.6	6	screw m 3.5 x 9.5



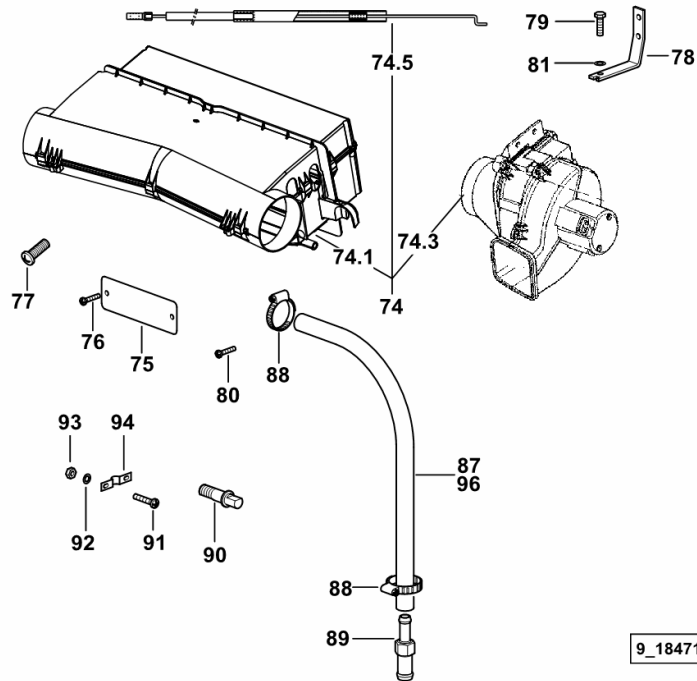
9_H1371_60_0-G-001

Section: G0 - BODYWORK - CAB
VENTILATION - HEATING

Fig.	Code	QTY	Name
------	------	-----	------

Notes:

HIGHT VISIBILITY - FOR TRACTORS WITH AIR HEATING [Agroplus 77] -> 1128



74	0.010.8993.4/50	1	cab heating (1270 <-) ☞ 0.010.8993.4/50
74	0.010.8993.4/60	1	cab heating (-> 1302)
74.1	0.011.2066.4/10	1	cab heating
74.3	0.011.2047.4	2	rotor blade
74.5	0.015.0185.2	1	cab heating
75	0.007.7317.0	1	plug 50x116x3
76	2.0350.456.3	2	screw m 4.2 x 19 -AB-
77	2.0112.213.2	4	screw m 8 p.1.25 x 35
78	0.011.3574.3	1	bracket
79	2.0112.005.2	1	screw m 6 p.1 x 16
80	2.0350.254.3	4	screw m 3.5x13
81	2.1310.002.2	1	washer 6.6, d125
87	0.009.1822.0	1	tube Ø mm 14x22x2300
88	2.6851.018.0	2	clamp 11/17
89	0.011.4033.0/10	2	pipe fitting
90	0.011.4750.0	1	pin
91	2.0332.203.2	2	screw m 4 x 10
92	2.1310.028.2	2	flat washer 4
93	2.1011.101.2	2	nut m 4 p.0.7
94	0.011.4172.0	2	small spring
96	0.009.1822.0	1	tube Ø mm 14x22x2300

9_18471_70_0-J-002

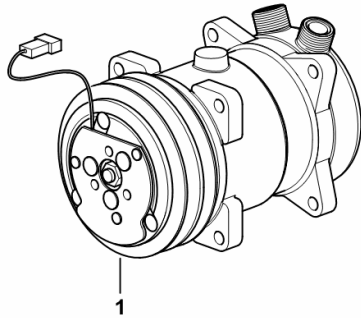
COMPRESSOR

Fig.	Code	QTY	Name
------	------	-----	------

Notes:

[Agroplus 77]

1	0.009.7660.4	1	gear compressor R 134a ☞ 0.009.7660.4
---	--------------	---	--



9_64886_23_0-A-001

Section: G0 - BODYWORK - CAB
AIR CONDITIONER PARTS

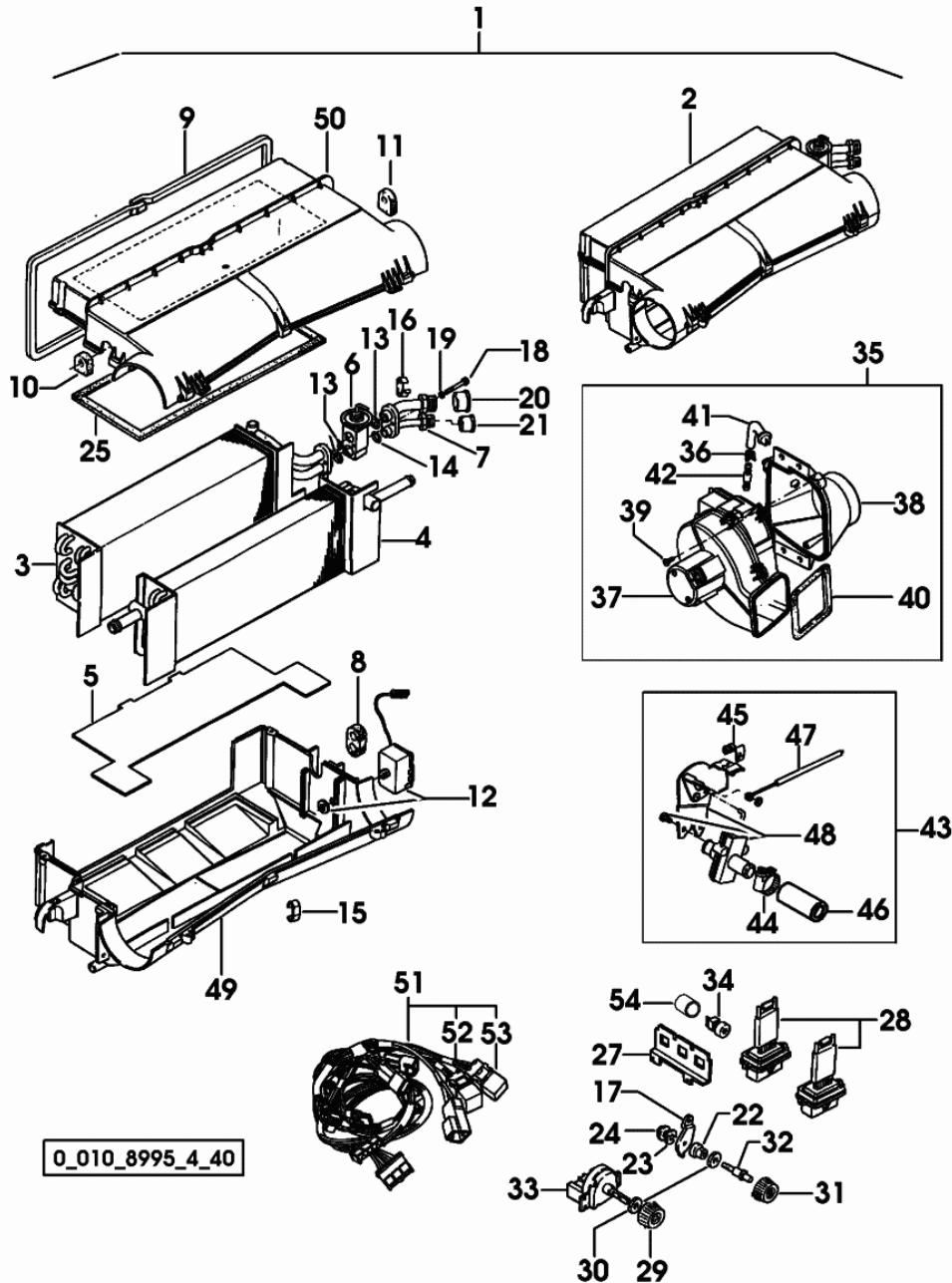


Fig.	Code	QTY	Name
46	0.010.2561.2	1	tube
47	0.010.2562.0	1	transmission
48	0.010.2151.1	1	cock or tap
49	0.012.1581.0	1	box
50	0.012.1594.0	1	box
51	0.010.2560.0	1	wire
52	0.010.3317.2	2	relay 15A NA BROWN
53	0.010.3318.0	1	relay 20A NA WHITE
54	0.900.0061.2	1	bushing

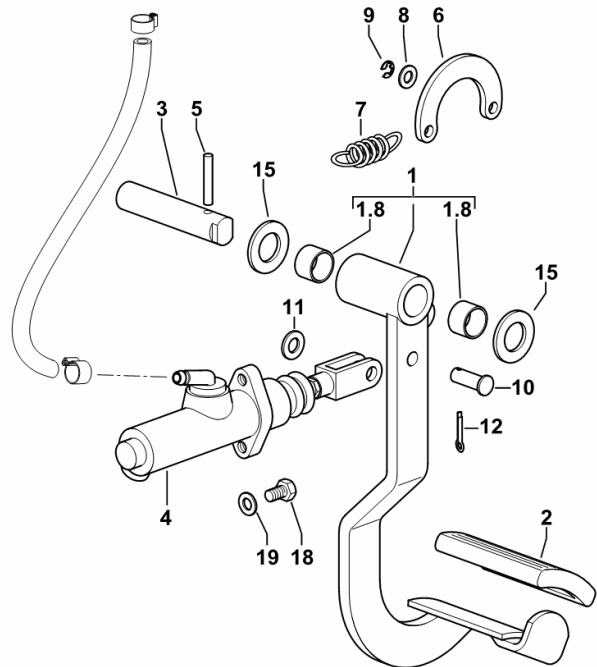
0_010_8995_4_40

CLUTCH CONTROL

Fig.	Code	QTY	Name
------	------	-----	------

Notes:

[Agroplus 77]



9_64865_01_0-A-001

1	0.011.2121.3/20	1	pedal
1.8	2.1559.120.0/10	2	bushing 20x23x15
2	0.169.6557.0	1	cover
3	2.1699.404.2/10	1	pin
4	0.255.6538.4/50	1	pump
5	2.1630.614.0	1	roll pin 6x36
6	0.009.3951.0/10	1	link
7	2.4049.200.2/30	1	spring
8	2.1310.004.2	1	flat washer 8.5
9	2.1430.007.2	1	circlip 6, d128
10	2.1671.408.2	1	pin 10x30
11	2.1310.006.2	1	flat washer 10.5
12	2.1690.308.2	1	split pin 3.2 x 20
15	2.1311.012.2	2	flat washer 20
18	2.0112.204.2	2	screw m 8 p.1.25x14
19	2.1310.004.2	2	flat washer 8.5

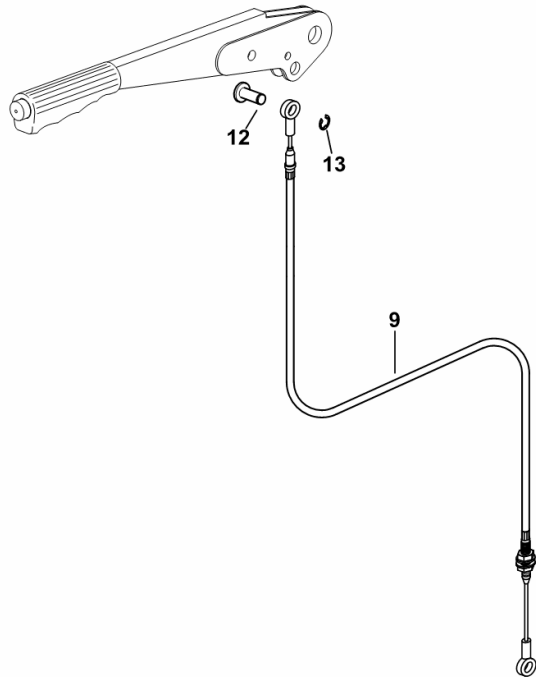
TRAILER HANDBRAKE CONTROL CABLE - ITALY

Fig.	Code	QTY	Name
------	------	-----	------

Notes:

[Agroplus 77]

9	0.007.7342.3/10	1	cable mm 882
12	2.1699.307.2	1	pin 23x27.5x12
13	2.1430.008.7	1	circlip 7



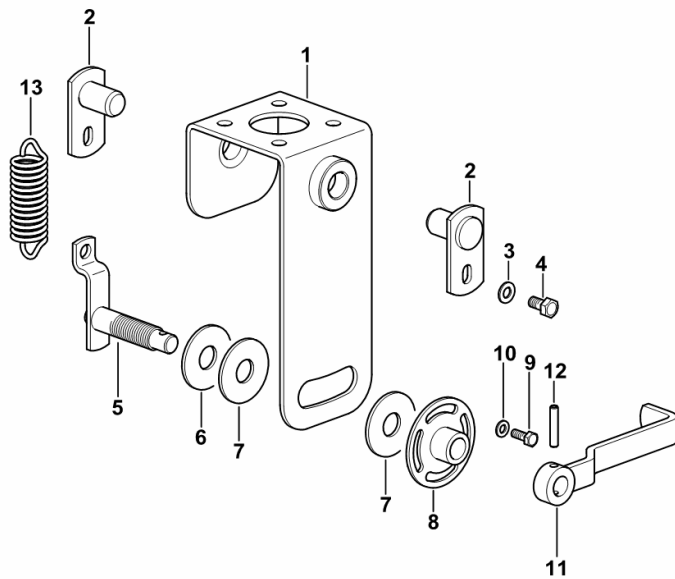
9_64889_11_0-A-001

Section: G0 - BODYWORK - CAB
STEERING ADJUSTMENT

Fig.	Code	QTY	Name
------	------	-----	------

Notes:
 [Agroplus 77]

1	0.009.3979.2/10	1	support
2	0.009.9558.2/10	2	pin
3	2.1310.004.2	2	flat washer 8.5
4	2.0112.205.2	2	screw m 8 p.1.25 x 16
5	0.009.7360.2/40	1	pin
6	2.1549.347.2	1	spacer 18x50x3
7	2.1569.058.0	2	gasket 18.5x50x3
8	0.009.7359.2/20	1	ring nut
9	2.0112.005.2	2	screw m 6 p.1 x 16
10	2.1310.002.2	2	washer 6.6, d125
11	0.009.3983.2/10	1	small pedal
12	2.1630.613.0	1	roll pin 6 x 30
13	2.4049.201.2/30	1	spring



9_64863_07_0-A-001

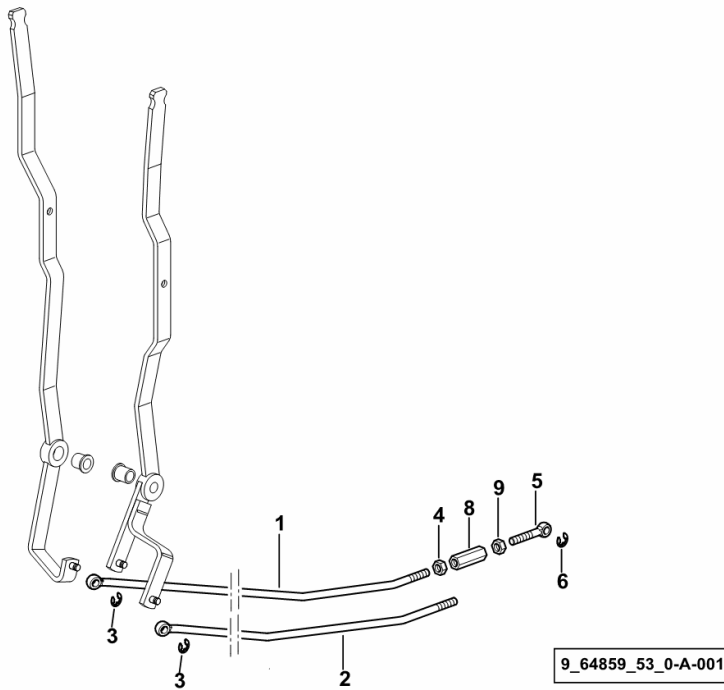
TIE RODS FOR LIFT CONTROL LEVERS

Fig.	Code	QTY	Name
------	------	-----	------

Notes:

[Agroplus 77]

1	0.007.6365.0/20	1	rod
2	0.007.6168.0/10	1	rod
3	2.1430.007.2	2	circlip 6, d128
4	2.1011.105.2	2	nut m 8 p.1.25
5	0.010.4186.0	2	tip m 8
6	2.1430.008.2	2	circlip 7
8	2.1099.139.2/10	2	nut m 8
9	2.1019.127.2	2	nut m 8 p.1.25 x 6.8, sx/lh/li



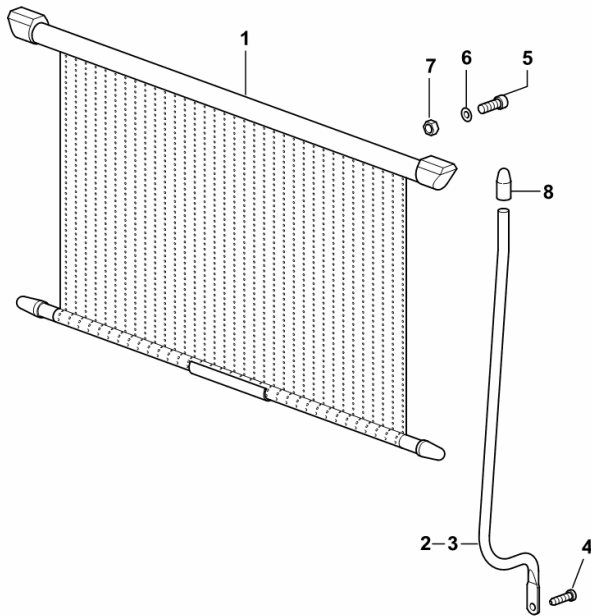
SUN BLIND

Fig.	Code	QTY	Name
------	------	-----	------

Notes:

[Agroplus 77]

1	0.9237.343.4/10	1	roll-up sun-shade
2	0.010.1082.0	1	rod dx/rh/re
3	0.010.1083.0	1	rod sx/lh/li
4	2.0350.454.3	2	screw m 4.2 x 13 -AB-
5	2.0299.004.3	2	screw m 4x22
6	2.1310.028.2	2	flat washer 4
7	2.1011.101.2	2	nut m 4 p.0.7
8	0.010.1367.0	2	cap



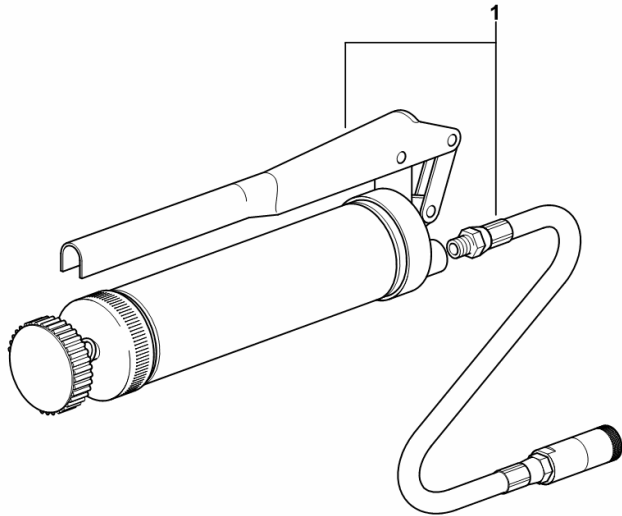
9_64871_27_0-A-001

LUBRICATOR

Fig.	Code	QTY	Name
------	------	-----	------

Notes:
[Agroplus 77]

1	0.011.6506.3	1	lubricator
---	--------------	---	------------



9_59273_01_0-A-001

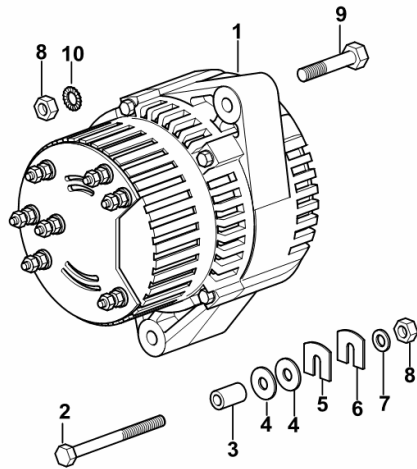
Section: L0 - ELECTRIC AL SYSTEM
ALTERNATOR 14V - 85A - ISKRA

Fig.	Code	QTY	Name
------	------	-----	------

Notes:

- FOR TYPES WITH AIR CONDITIONING [Agroplus 77]

1	2.9439.460.0/10	1	alternator 14V - 85A - ISKRA ☞ 2.9439.460.0/10
2	2.0113.232.2	1	screw m 8 p.1.25x115
3	2.1559.358.2/10	1	bushing 8.1 x 14 x 23
4	2.1312.004.2	2	washer 8.4
5	0.009.7981.0	1	shim mm 1.00
6	0.009.7982.0	1	shim mm 2.00
7	2.1310.004.2	1	flat washer 8.5
8	2.1011.105.2	2	nut m 8 p.1.25
9	2.0112.217.2	1	screw m 8 p.1.25 x 45
10	2.1470.004.2	1	washer 8



9_C1084_01_0-A-001

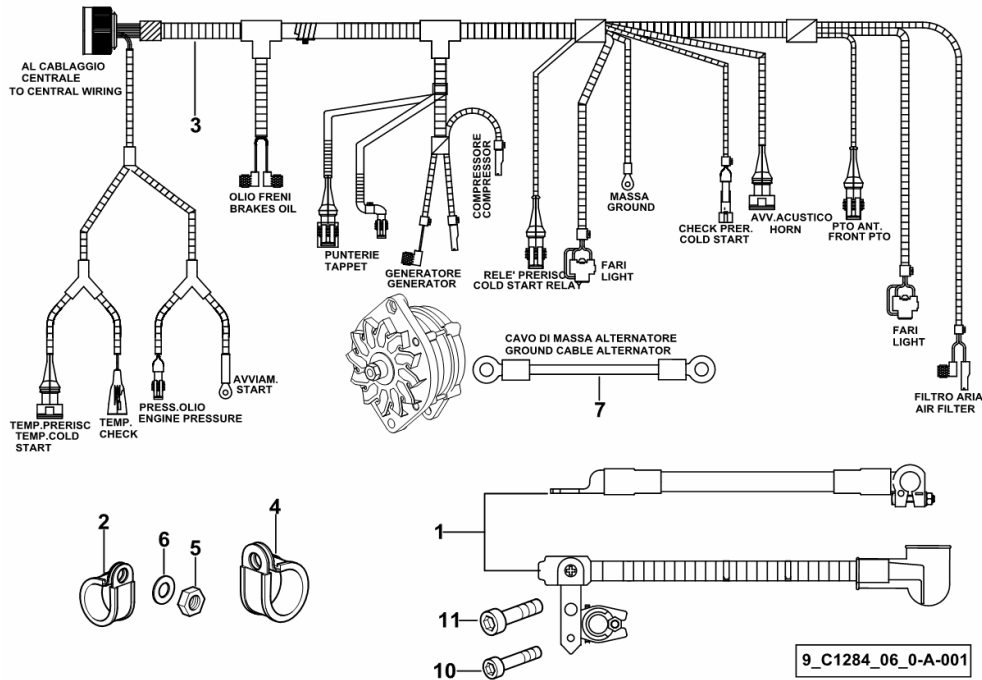
ELECTRICAL EQUIPMENT FRONT - BATTERY LEADS

Fig.	Code	QTY	Name
------	------	-----	------

Notes:

[Agroplus 77]

1	0.013.9041.4	1	wire - BATTERY LEADS ☞ 0.013.9041.4
2	2.6839.053.0	1	clamp Ø 17/15
3	0.013.9030.4/30	1	wire
4	2.6839.054.0	4	clamp Ø 20/25
5	2.1011.105.2	4	nut m 8 p.1.25
6	2.1310.004.2	4	flat washer 8.5
7	0.014.1056.4	1	wire MASS
10	2.0312.104.2	1	screw m 6 p.1 x 16
11	2.0312.204.2	1	screw m 8 p.1.25 x 16



9_C1284_06_0-A-001

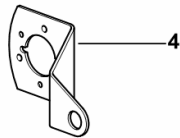
TRAILER SOCKET BRACKET

Fig.	Code	QTY	Name
------	------	-----	------

Notes:

- FOR TYPES WITH PLATFORM - EXPORT U.S.A. [Agroplus 77]

4	0.008.8754.0/40	1	support
---	-----------------	---	---------



9_64876_01_0-B-001

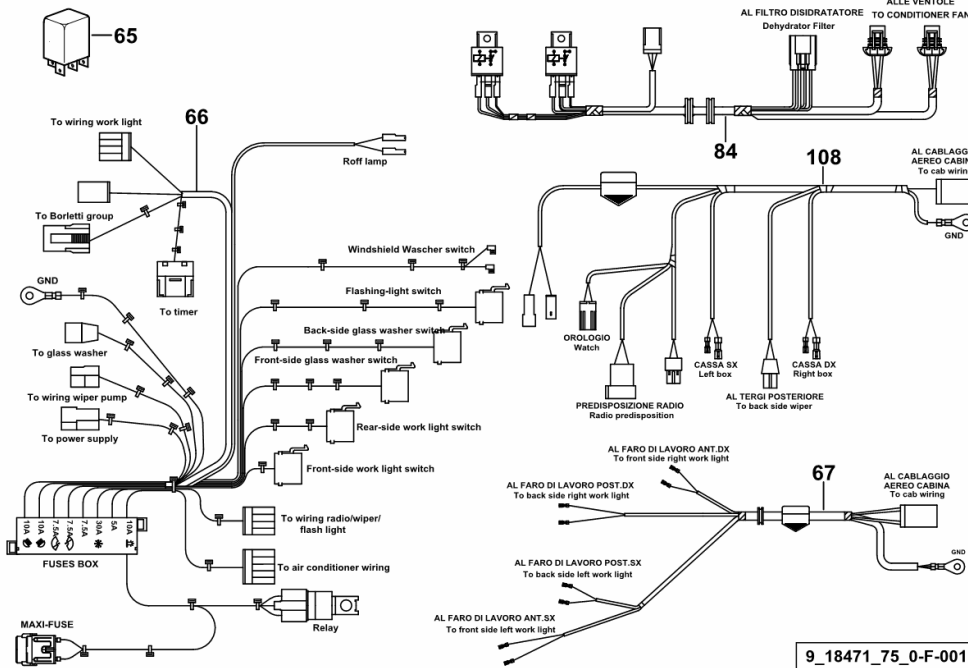
Section: L0 - ELECTRIC AL SYSTEM
CAB ELECTRICAL SYSTEM

Fig.	Code	QTY	Name
------	------	-----	------

Notes:

HIGHT VISIBILITY - FOR TYPES WITH HEATING AND AIR CONDITIONING [Agroplus 77]

65	2.8639.008.0	1	intermitent switch HG4121, 12V - FOR WINDSCREEN WIPER
66	0.011.3606.4/50	1	electrical system ☞ 0.011.3606.4/50
67	0.011.3595.3/10	1	electrical system
84	0.011.3610.3/20	1	electrical system ☞ 0.011.3610.3/20
108	0.011.3596.3/40	1	electrical system



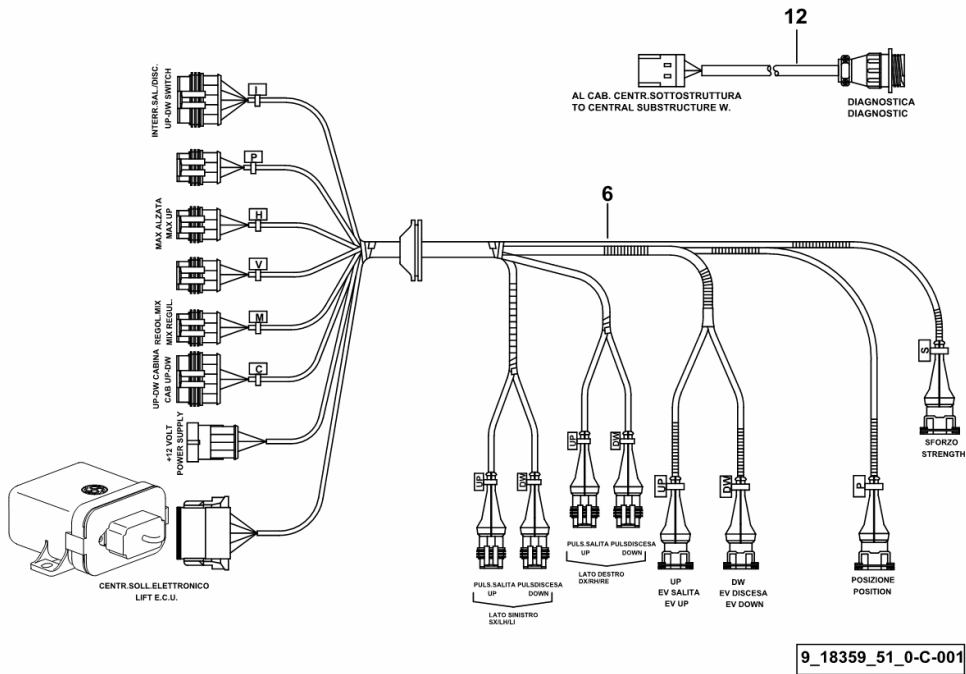
ELECTRICAL SYSTEM FOR REAR ELECTRONIC LIFT

Fig.	Code	QTY	Name
------	------	-----	------

Notes:

[Agroplus 77] 1050 <-

6	0.011.6943.4/20	1	electrical system
12	0.011.5573.3	1	wire

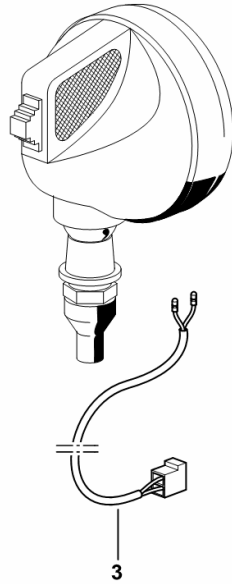


ELECTRICAL WIRE FOR REAR WORKLIGHT

Fig.	Code	QTY	Name
------	------	-----	------

Notes:
- FOR MODELS WITH PLATFORM [Agroplus 77]

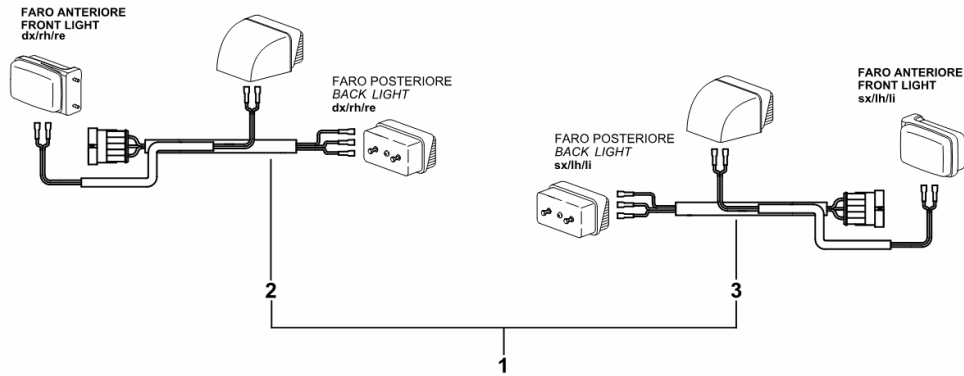
3	0.012.9854.4	1	wire
---	--------------	---	------



9_64885_30_0-B-001

**ELECTRIC WIRING FOR PARKING LIGHTS AND DIRECTION INDICATORS,
FRONT AND REAR**

Fig.	Code	QTY	Name
1	0.013.4910.4	1	wire
2	0.900.1412.7	1	wire dx/rh/re
3	0.900.1412.8	1	wire sx/lh/li



0_013_4910_4

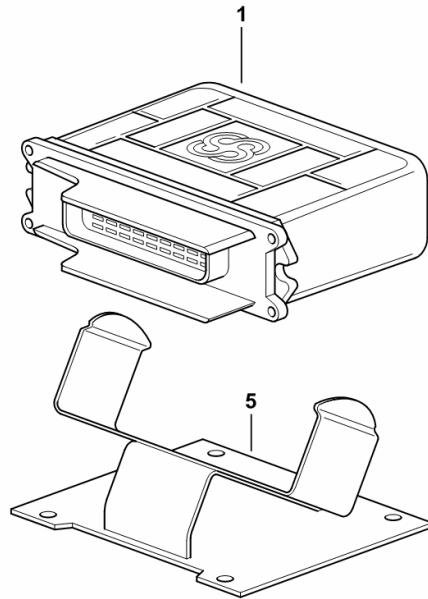
ELECTRONICS BOX

Fig.	Code	QTY	Name
------	------	-----	------

Notes:

- EXPORT U.S.A. WITH ELECTRONIC ENGINE GOVERNOR [Agroplus 77]

1	2.8519.070.0/10	1	central device
5	0.011.6959.2	1	support



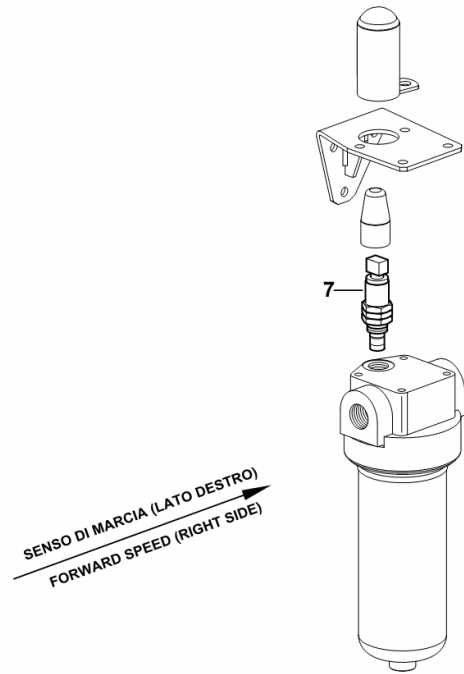
9_F1067_11_0-A-001

Section: L0 - ELECTRIC AL SYSTEM
OIL FILTER CLOGGING SENSOR 8"

Fig.	Code	QTY	Name
------	------	-----	------

Notes:
 [Agroplus 77]

7	2.7099.700.0	1	pressure switch
---	--------------	---	-----------------



9_C1282_10_0-B-001

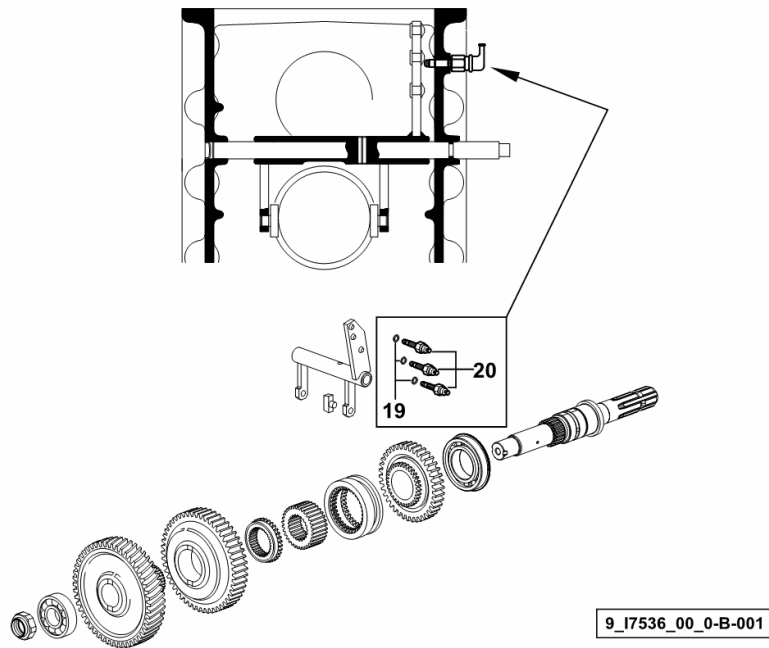
SWITCHES FOR 2-SPEED WITH FIXED OUTPUT SHAFT + SYNCRO AND 3 SPEEDS

Fig.	Code	QTY	Name
------	------	-----	------

Notes:

[Agroplus 77] -> 1303

19	2.1560.003.0	3	gasket 8.2 x 12
20	2.7659.131.0	3	switch



CLICK HERE TO **DOWNLOAD** THE COMPLETE MANUAL

- Thank you very much for reading the preview of the manual.
- You can download the complete manual from: www.heydownloads.com by clicking the link below



- Please note: If there is no response to CLICKING the link, please download this PDF first and then click on it.

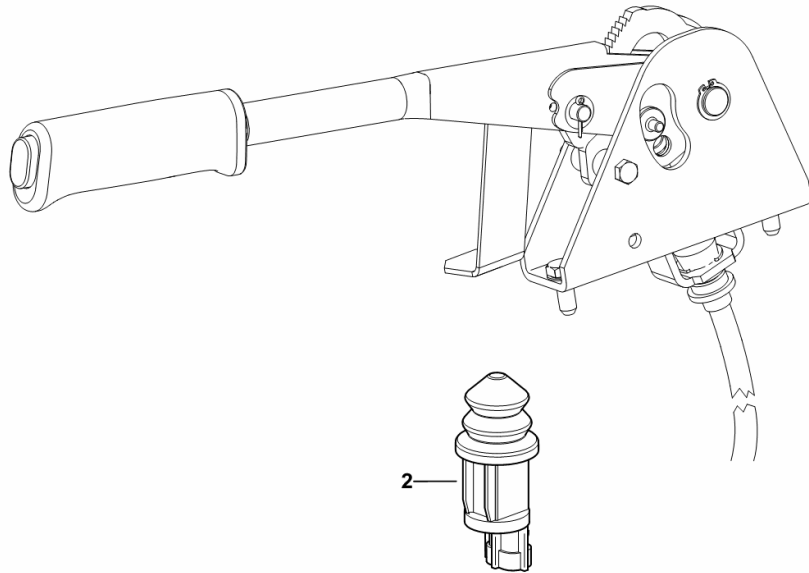
CLICK HERE TO **DOWNLOAD** THE COMPLETE MANUAL

Fig.	Code	QTY	Name
------	------	-----	------

Notes:

- WITH ELECTRONIC ENGINE GOVERNOR [Agroplus 77]

2	2.7659.129.0	1	switch
---	--------------	---	--------



9_C1284_05_0-C-001

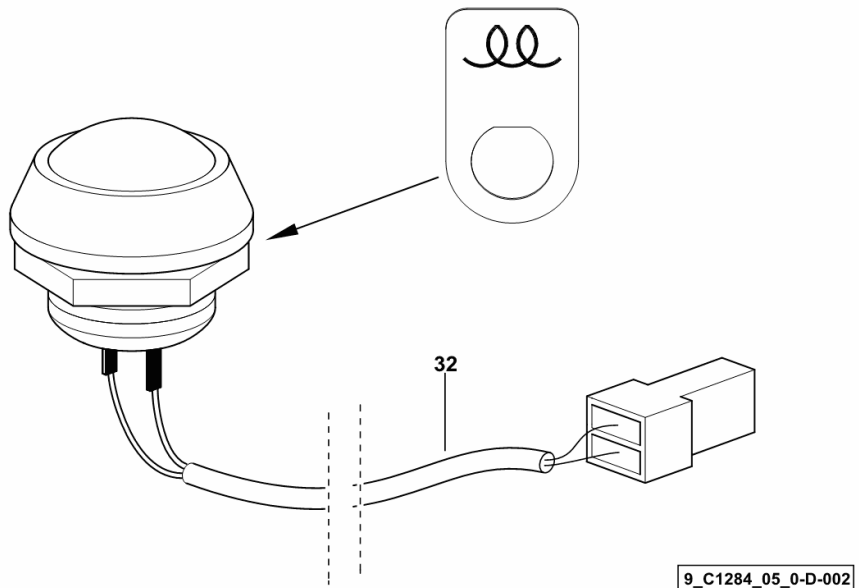
PRE-HEATER BUTTON

Fig.	Code	QTY	Name
------	------	-----	------

Notes:

- WITH ELECTRONIC ENGINE GOVERNOR [Agroplus 77] -> 1087

32	2.7659.140.0/10	1	push-button
----	-----------------	---	-------------



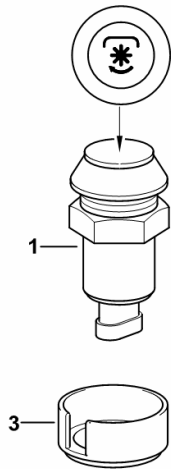
P.T.O. BUTTON

Fig.	Code	QTY	Name
------	------	-----	------

Notes:

- FOR TYPES WITH 540/750/1000 PTO EXPORT U.S.A. [Agroplus 77]

1	2.7659.177.0/20	1	push-button P.T.O.
3	0.009.3987.0	1	guard



9_C5984_11_0-C-001

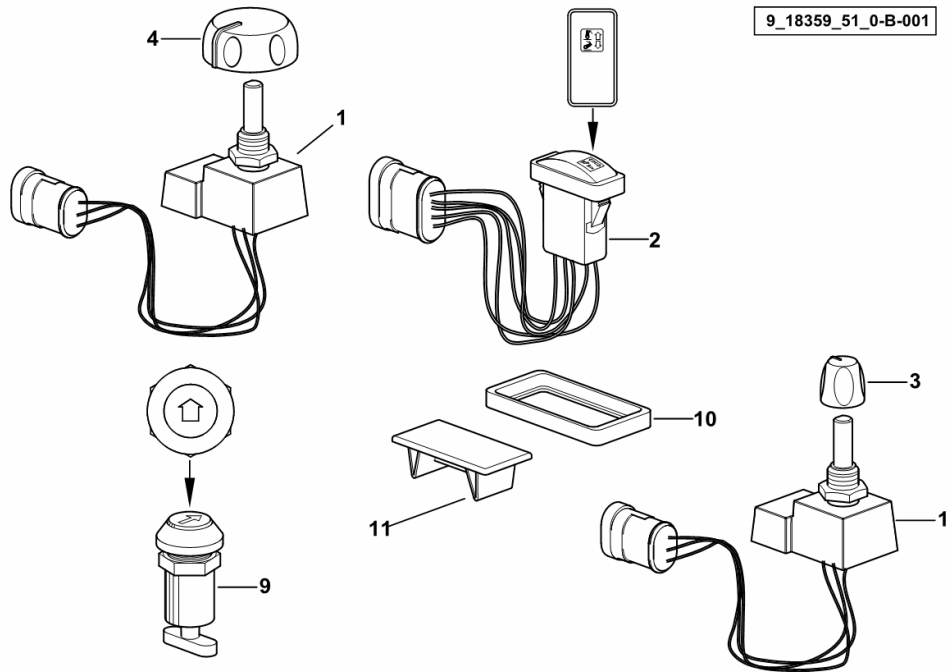
ELECTRICAL SYSTEM FOR REAR ELECTRONIC LIFT

Fig.	Code	QTY	Name
------	------	-----	------

Notes:

[Agroplus 77]

1	0.011.2990.0	4	potentiometer
2	0.011.7720.0/20	2	push-button
3	04411530	3	knob
4	04411531	1	knob
9	2.7659.182.0	2	push-button (1146 <-)
9	2.7659.182.0	4	push-button (-> 1164)
10	0.011.7723.0	1	adapter
11	0.011.3513.0	1	plug

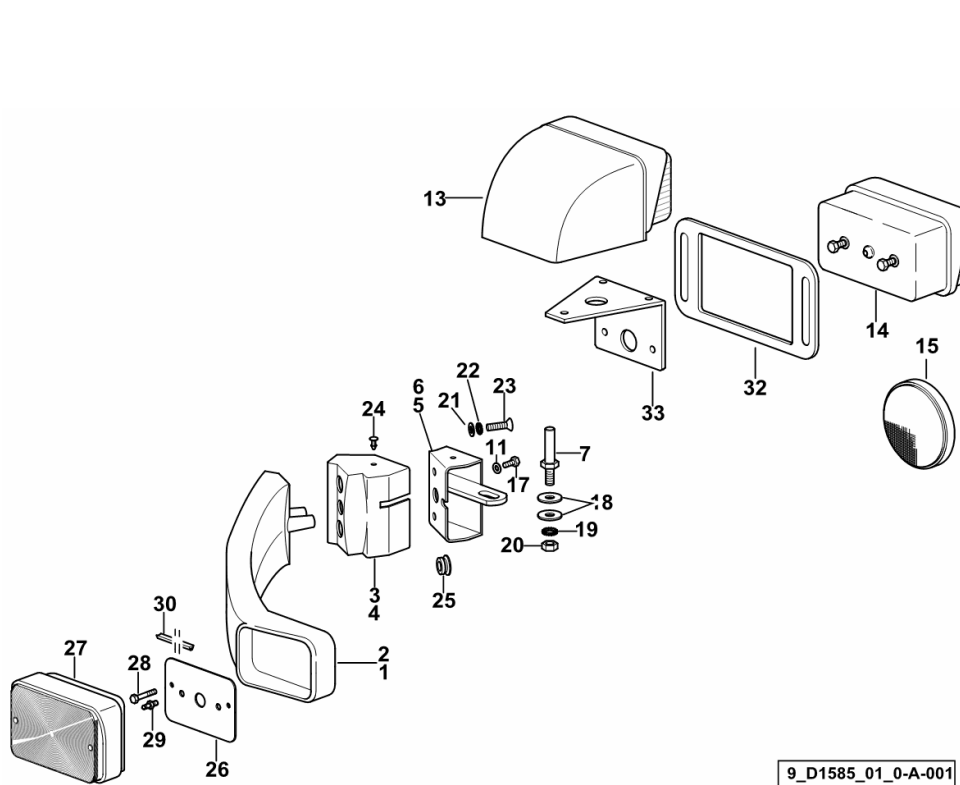


Section: L0 - ELECTRIC AL SYSTEM
FRONT/REAR LIGHTS

Fig.	Code	QTY	Name
------	------	-----	------

Notes:

- EXPORT U.S.A. FOR TYPES W/ CAB AND VERTICAL EXHAUST SILENCER ON CAB PILLAR [Agroplus 77]

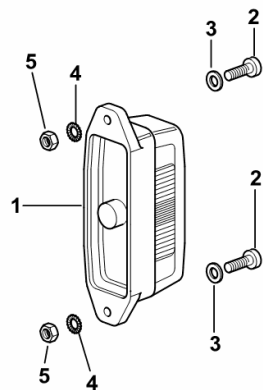


9_D1585_01_0-A-001

1	04413222	1	support
2	04413222	1	support
3	0.010.8820.0	1	cover sx/lh/li
4	0.010.8819.0	1	cover dx/rh/re
5	0.010.8817.3	1	lamp support sx/lh/li
6	0.010.8840.3	1	lamp support dx/rh/re
7	2.1699.493.2	1	pin
11	2.1310.002.2	12	washer 6.6, d125
13	2.8059.440.0/10	2	lamp ☞ 2.8059.440.0/10
14	2.8059.450.0	2	lamp ☞ 2.8059.450.0
15	2.8349.002.2/30	2	reflector Ø 86 mm
17	2.0112.005.2	8	screw m 6 p.1 x 16
18	2.1312.005.2	2	washer 10.2
19	2.1470.006.2	1	lock washer 10
20	2.1011.106.2	1	nut m 10 p.1.5
21	2.1310.004.2	6	flat washer 8.5
22	2.1470.004.2	6	washer 8
23	2.0312.208.2	6	screw m 8 p.1.25 x 25
24	2.1899.075.0	4	button 6.5x14.5
25	0.9200.178.0	2	plug Ø 17
26	0.012.9213.2/10	2	plate
27	2.8039.180.0/10	2	lamp ☞ 2.8039.180.0/10
28	2.0332.310.2	4	screw m 5 x 35
29	0.012.9989.0	4	pin
30	0.013.0019.0	2	gasket
32	0.012.6117.0/10	2	lamp support
33	0.012.6958.0	2	lamp support

LICENCE PLATE LIGHT

Fig.	Code	QTY	Name
Notes:			
[Agroplus 77]			
1	2.8029.240.0/10	1	side lamp ☞ 2.8029.240.0/10
2	2.0332.306.2	2	screw m 5x0.8x16
3	2.1310.001.2	2	flat washer 5.3
4	2.1470.001.2	2	lock washer 5
5	2.1011.102.2	2	nut m 5 p.0.7



9_49085_31_0-B-001

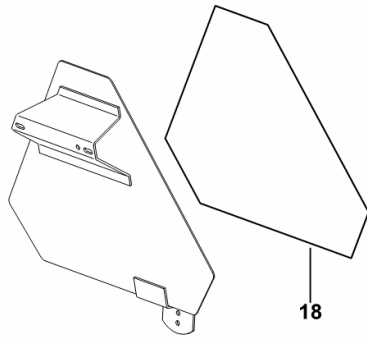
RETROREFLECTOR

Fig.	Code	QTY	Name
------	------	-----	------

Notes:

- EXPORT U.S.A. [Agroplus 77]

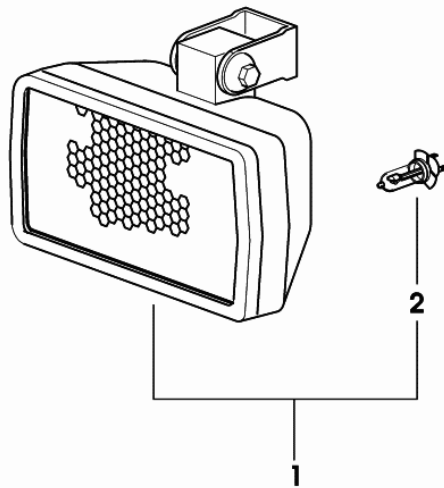
18	0.013.4584.0	1	plate SMV
----	--------------	---	-----------



9_D1576_04_0-C-001

HEADLAMP COMPONENTS

Fig.	Code	QTY	Name
1	2.8029.730.0	1	headlight
2	0.010.3486.1	1	lamp H3 12V 55W



2_8029_730_0

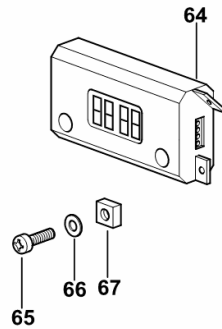
DIGITAL CLOCK

Fig.	Code	QTY	Name
------	------	-----	------

Notes:

[Agroplus 77] 1060 <-

64	2.9389.002.0	1	digital chronometers
65	2.0322.105.3	2	screw m 3 x 14
66	2.1310.028.2	2	flat washer 4
67	2.1040.101.7	2	nut m 3



9_64871_30_0-E-001

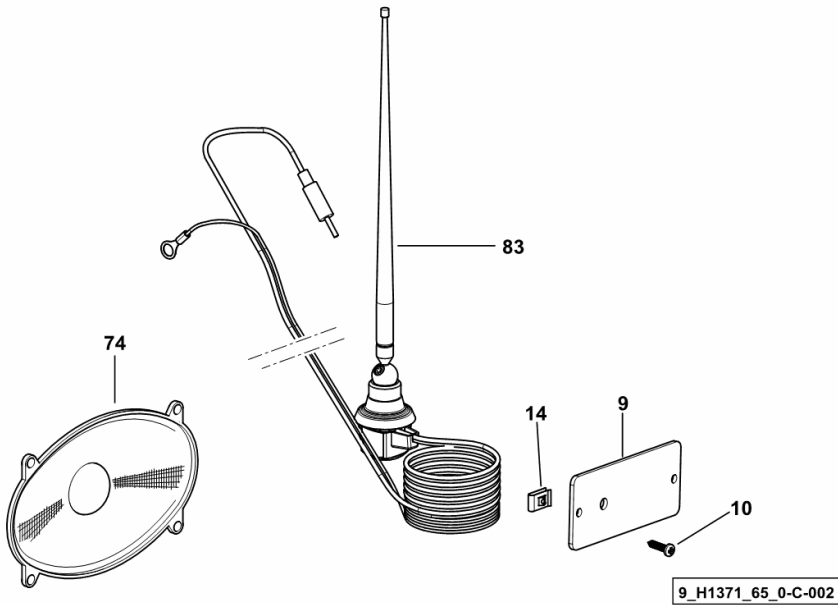
LOUDSPEAKERS AND RADIO ANTENNA

Fig.	Code	QTY	Name
------	------	-----	------

Notes:

- FOR TYPES WITH HEATING AND AIR CONDITIONING [Agroplus 77] -> 1821

9	0.016.0429.0	1	support
10	2.0350.456.3	2	screw m 4.2 x 19 -AB-
14	2.6999.061.0	2	small spring 4.2
74	0.011.5631.3	2	loud speaker
83	0.011.5630.3/20	1	radio aereo



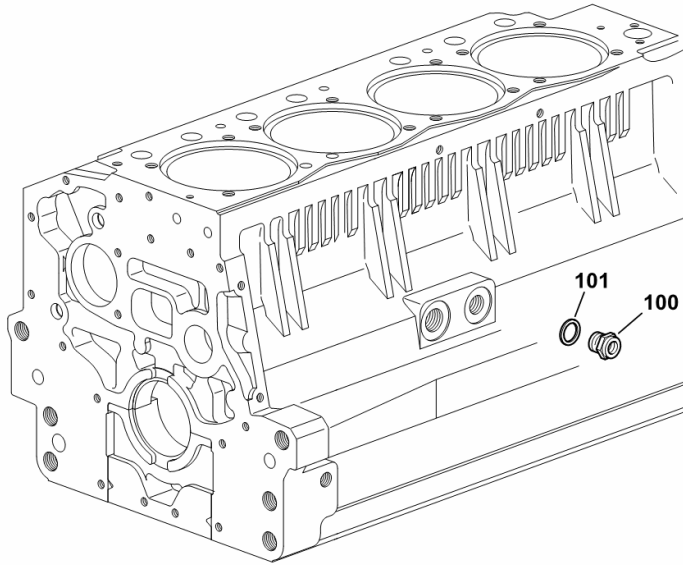
FITTING FOR ENGINE OIL PRESSURE SWITCH

Fig.	Code	QTY	Name
------	------	-----	------

Notes:

[Agroplus 77]

100	2.3339.353.2/20	1	pipe fitting 12 p.1.5-18 p.1.5
101	2.1560.014.0	1	gasket 18.2 x 24 x 1.5



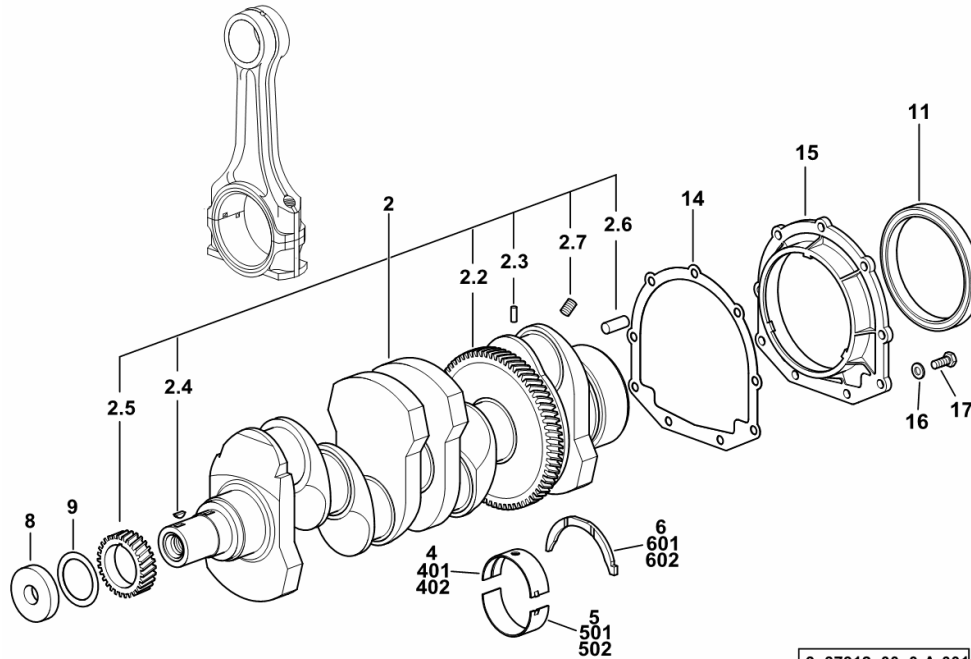
9_33215_12_0-A-001

Section: B0 - ENGINE
CRANKSHAFT

Fig.	Code	QTY	Name
------	------	-----	------

Notes:

[Agroplus 77]



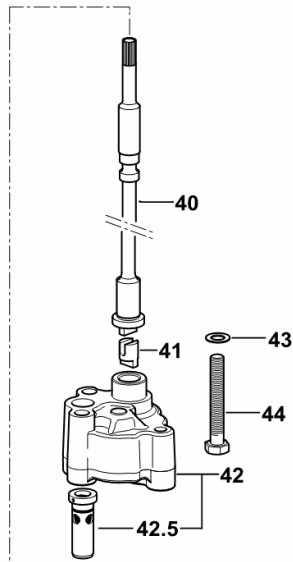
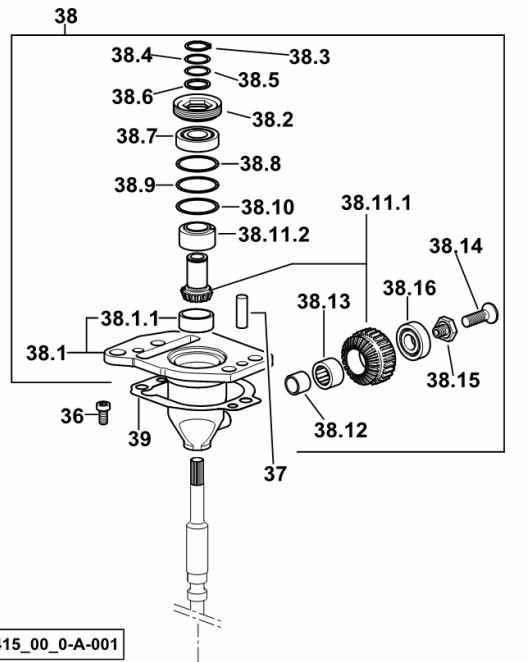
2	0.086.1210.3/40	1	crank shaft
2.2	0.065.1211.0/10	1	crown wheel
2.3	2.1630.608.0	1	pin 6x16
2.4	2.1720.006.0	1	key 4x6.5
2.5	0.065.1323.0/30	1	gear Z = 29
2.6	2.1651.915.0	1	pin 12x35
2.7	2.3130.001.1	4	plug 1/8" gas
4	0.065.1215.0/10	5	main half bushing STANDARD
5	0.065.1216.0/10	5	main half bushing STANDARD
6	0.065.1218.0	4	shim STANDARD
8	2.1599.524.7	1	washer 21x60x12
9	2.1589.189.0	2	snoulder mm 1.00
11	2.1529.073.0	1	'o' ring 110x130x13
14	0.065.1254.0/20	1	gasket
15	0.007.1711.0/10	1	cover
16	2.1475.002.2	9	conical washer 8
17	2.0112.207.2	9	screw m 8 p 1.25 x 20
401	0.065.1215.7	0	main half bushing - mm 0.25
402	0.065.1215.8	0	main half bushing - mm 0.50
501	0.065.1216.7	0	main half bushing - mm 0.25
502	0.065.1216.8	0	main half bushing - mm 0.50
601	0.065.1218.7	0	shim + mm 0.10
602	0.065.1218.8	0	shim + mm 0.15

9_37312_00_0-A-001

Section: B0 - ENGINE
ENGINE OIL PUMP

Fig.	Code	QTY	Name
------	------	-----	------

Notes:
 [Agroplus 77]



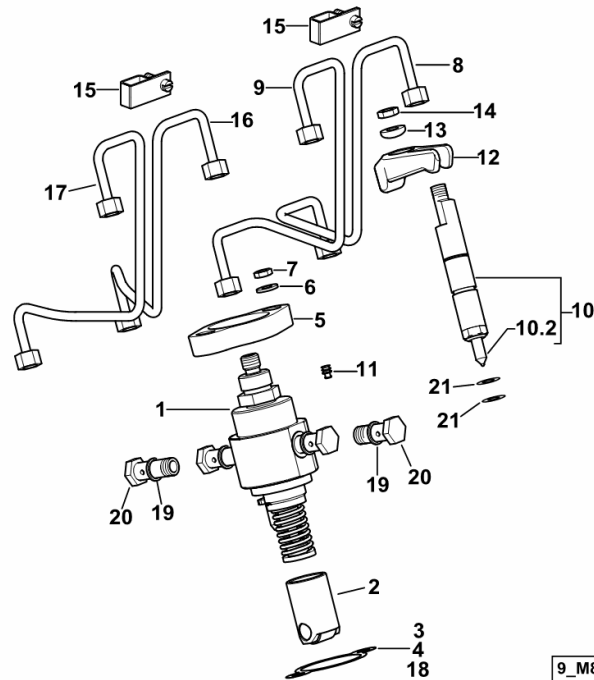
36	2.0169.005.2	2	screw m 6 p.1 x 12
37	2.1651.711.0	2	pin 8 x 14
38	0.013.1629.4/20	1	support
38.1	0.013.1629.3/10	1	support
38.1.1	2.1559.186.0	1	bushing 26 x 31.5 x 35
38.2	2.1219.025.2/10	1	ring nut m 36 p.1.5
38.3	2.1410.057.1	1	circlip 15
38.4	2.1589.153.0	1	snoulder 15.2 x 19 x 1.00
38.5	2.1589.146.0	2	snoulder 15.2 x 19 x 0.15
38.6	2.1589.147.0	2	snoulder 15.2 x 19 x 0.10
38.7	2.2020.001.0	1	ball bearing 15 x 32 x 8.00
38.8	2.1589.148.0	1	snoulder 28.2 x 31.8 x 0.5
38.9	2.1589.150.0	2	snoulder 28.2 x 31.8 x 0.1
38.10	2.1589.151.0	2	snoulder 28.2 x 31.8 x 0.15
38.11.1	0.065.1558.6/10	1	bevel gear
38.11.2	0.065.1559.0	1	sleeve
38.12	2.2680.020.0	1	ring 12 x 15 x 12
38.13	2.2725.016.0	1	roller cage 15 x 21 x 12
38.14	2.0342.007.6	1	screw m 4 p.0.7 x 30
38.15	2.0399.128.2/10	1	screw m 8 p.1 x 8
38.16	2.2030.002.0	1	ball bearing 12 x 28 x 8
39	0.065.1560.0/30	2	gasket
40	0.065.1569.0/40	1	shaft
41	0.065.1562.0/10	1	joint
42	0.010.5441.4/10	1	oil pump
42.5	0.065.1552.3/60	1	valve
43	2.1470.006.2	2	lock washer 10
44	2.0112.325.2	2	screw m 10 p.1.5 x 80

INJECTION PUMP - INJECTOR

Fig.	Code	QTY	Name
------	------	-----	------

Notes:

[Agroplus 77]



9_M8216_01_0-A-001

1	2.4619.270.0/10	4	injector pump
2	2.4619.230.0	4	tappets
3	0.014.9668.0/10	12	shim mm 0.20
4	0.014.9679.0/10	8	shim mm 0.30
5	0.012.9348.0/20	4	bracket
6	2.1599.458.0/10	8	snoulder 8.4x18x2
7	2.1011.405.2	8	nut m 8 p.1
8	0.013.0021.3	1	tube Ø 6 / Ø 1.5
9	0.013.0363.3	1	tube Ø 6 / Ø 1.5
10	2.4719.630.0	4	injector
10.2	2.4729.620.0	1	nozzle
11	2.3199.270.0	4	plug 5.9x7.8
12	0.012.5977.0/20	4	bracket
13	2.1599.454.0	4	snoulder 10.5x17x7.5
14	2.1011.421.2	4	nut m 10 p.1.25
15	0.013.1014.3	2	terminal
16	0.013.3198.3	1	tube Ø 1,5 / m 12 p.1.5
17	0.013.3199.3	1	tube Ø 1,5 / m 12 p.1.5
18	0.015.1407.0/10	8	shim mm 0.05
19	2.1569.213.0	16	washer
20	2.3249.093.2	8	pipe fitting m 12 p.1
21	2.1499.224.0	8	washer 8x16x0.5

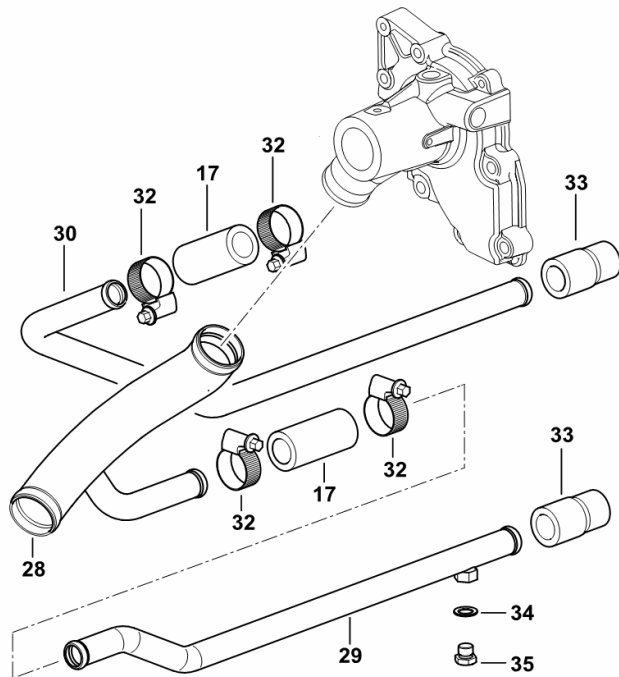
Section: B0 - ENGINE
WATER PUMP HOSES

Fig.	Code	QTY	Name
------	------	-----	------

Notes:

[Agroplus 77]

17	0.007.0678.0/10	2	sleeve 18x28x60
28	0.010.0155.3/20	1	tube
29	0.010.0159.2	1	tube
30	0.010.0158.0	1	tube
32	2.6851.002.0	8	clamp Ø 20/32
33	0.007.1228.0/10	2	sleeve
34	2.1560.006.0	1	gasket 10.2 x 16
35	2.3110.401.1	1	plug m 10 p.1x8



9_37517_01_0-A-001

SOLENOID VALVE PROTECTION.....C0.08.3 (1)

SOLENOID VALVE 13 V - 20 W, ON/OFF 3/2.....2.3729.697.0/20.A

SEALING SET

GASKET SET FOR ENGINE ASSEMBLY..... C0.09.1 (1)

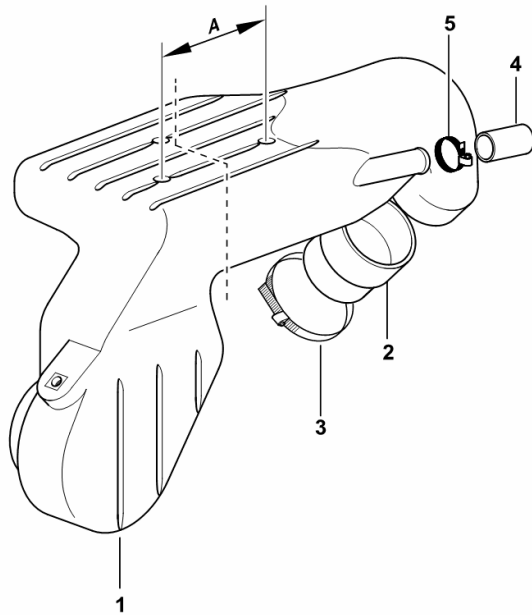
AIR CLEANER HOSE

Fig.	Code	QTY	Name
------	------	-----	------

Notes:

[Agroplus 77]

1	0.013.1944.2/20	1	sleeve (1001 <-) - A = mm 80
1	0.014.3774.2	1	sleeve (-> 1002) - A = mm 136
2	0.013.5487.0/10	1	sleeve
3	2.6851.008.0	2	clamp Ø 70/90
4	0.010.6509.0	1	cap
5	2.6851.003.0	1	clamp Ø 25/40




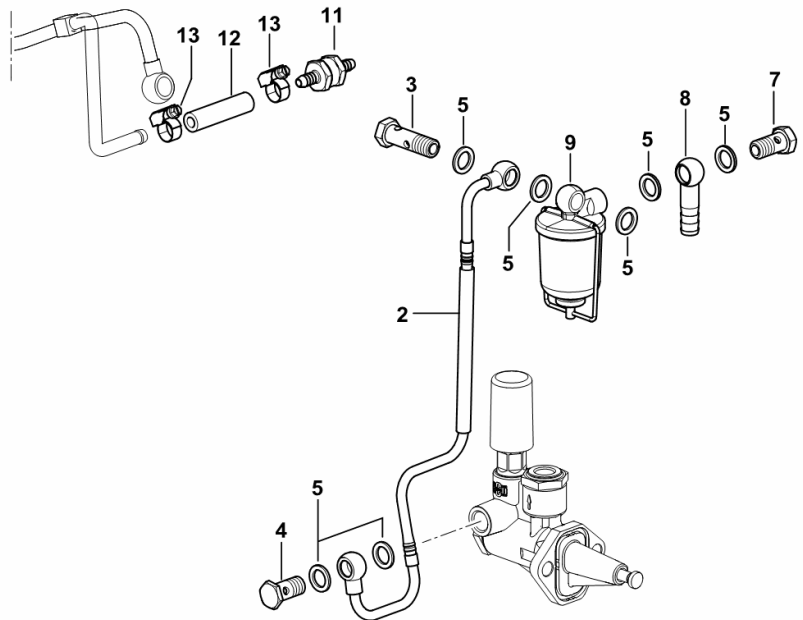
9_C1281_02_0-A-002

Section: C0 - ENGINE ACCESSORIES
FUEL FEED PIPES AND PREFILTER

Fig.	Code	QTY	Name
------	------	-----	------

Notes:
 [Agroplus 77]

2	0.013.6569.3/10	1	tube
3	2.3249.095.2	1	pipe union m 14 p.1.5x45
4	2.3339.357.2/10	1	pipe union m 14 p.1.5x28
5	2.1561.007.0	7	gasket 14,8x22.2
7	2.3332.004.1	1	pipe union m 14 p.1.5 x 27
8	2.3339.751.2	1	pipe fitting
9	2.4319.220.0	1	precleaner  2.4319.220.0
11	0.013.8464.4	1	valve
12	0.012.6451.0	0.06	tube Ø mm 8/15
13	2.6851.019.0	2	clamp Ø 13/20



9_N2319_10_0-A-001

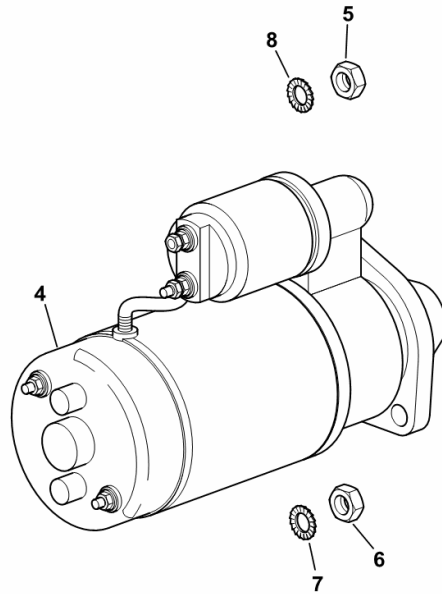
STARTER

Fig.	Code	QTY	Name
------	------	-----	------

Notes:

[Agroplus 77]

4	2.9619.390.0	1	starter motor 12 V, 3 kW, Z = 9 (1913 <-) ☞ 2.9619.390.0
4	2.9619.560.0	1	starter motor 12 V, 3.5 kW, Z = 9
5	2.1011.106.2	1	nut m 10 p.1.5
6	2.1011.522.2	1	nut m 12 p.1.25
7	2.1470.007.2	1	lock washer 12
8	2.1470.006.2	1	lock washer 10



9_52784_09_0-A-001

Agroplus 77

F0 - FRONT AXLE

FRONT SUPPORT

FRONT SUPPORT.....	F0.01.1 (1)
FRONT SUPPORT.....	F0.01.2 (1)
4WD - FRONT SUPPORT - WITH FRONT PTO AND LIFT.....	F0.01.3 (1)
4WD - FRONT SUPPORT - WITH FRONT PTO AND LIFT.....	F0.01.4 (1)
4WD - PLUGS FOR FRONT SUPPORT.....	F0.01.5 (1)
4WD - FRONT SUPPORT.....	F0.01.8 (1)
FRONT SUPPORT - FIXINGS.....	F0.01.9 (1)

4WD FRONT AXLE

4WD - FRONT DRIVE AXLE.....	F0.03.1 (1)
4WD - FRONT AXLE FORKS FOR TYPES WITH BRAKES.....	F0.03.2 (1)
4WD - FRONT AXLE YOKES.....	F0.03.3 (1)
BREATHER.....	F0.03.5 (1)
4WD - FRONT AXLE YOKES KIT.....	F0.03.6 (1)
4WD - FRONT AXLE YOKES KIT.....	F0.03.7 (1)
4WD - STANDARD SEALING.....	F0.03.8 (1)
STEERING ROD - MECH. STEERING - TELESCOPIC AXLE.....	0.010.0488.4/10.A

FRONT DIFFERENTIAL

4WD - BEVEL WHEEL GEAR Z = 15 / Z = 33.....	F0.04.0 (1)
DIFFERENTIAL BEVEL GEAR PAIR.....	F0.04.1 (1)
4WD - FRONT DIFFERENTIAL LOCK- STANDARD SEALING.....	F0.04.2 (1)
4WD - DIFFERENTIAL LOCK CONTROL-ELECTROHYDRAULIC.....	F0.04.4 (1)
4WD - DIFFERENTIAL LOCK CONTROL-ELECTROHYDRAULIC.....	F0.04.4 (2)
4WD - FLANGE.....	F0.04.5 (1)
4WD - TRANSMISSION SHAFT.....	F0.04.7 (1)

STEERING CYLINDER

4WD - POWER STEERING CYLINDER.....	F0.05.2 (1)
4WD - POWER STEERING CYLINDER.....	F0.05.3 (1)
CYLINDER PARTS.....	0.009.9892.4/10.A

FINAL DRIVE REDUCTION UNITS AND HALF-SHAFTS

4WD - FRONT REDUCTION GEARBOX.....	F0.06.0 (1)
4WD - FRONT REDUCTION GEARBOX.....	F0.06.0 (2)
4WD - FRONT REDUCTION GEARBOX.....	F0.06.0 (3)
4WD - AXLESHAFTS.....	F0.06.1 (1)
FRONT WHEEL HUB COVER.....	F0.06.4 (1)
4WD - AXLESHAFTS.....	0.009.6694.4/30.B

FRONT BRAKES

4WD - FRONT BRAKES.....	F0.07.1 (1)
-------------------------	-------------

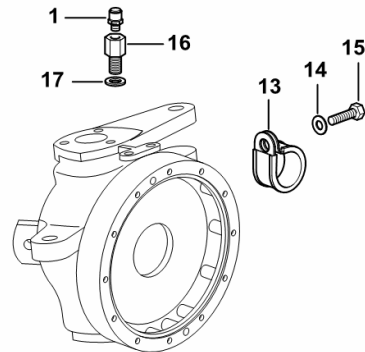
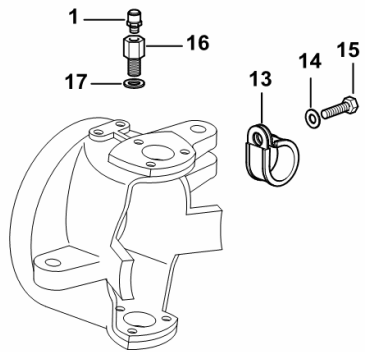
Section: F0 - FRONT AXLE
4WD - FRONT AXLE YOKES

Fig.	Code	QTY	Name
------	------	-----	------

Notes:

[Agroplus 77]

1	0.135.4363.3/10	3	valve
13	2.6839.055.0	2	clamp Ø 11 / 20
14	2.1310.004.2	2	flat washer 8.5
15	2.0112.205.2	2	screw m 8 p.1.25 x 16
16	0.008.1676.0/20	2	pipe fitting
17	2.1560.051.0	2	gasket 10x13.5



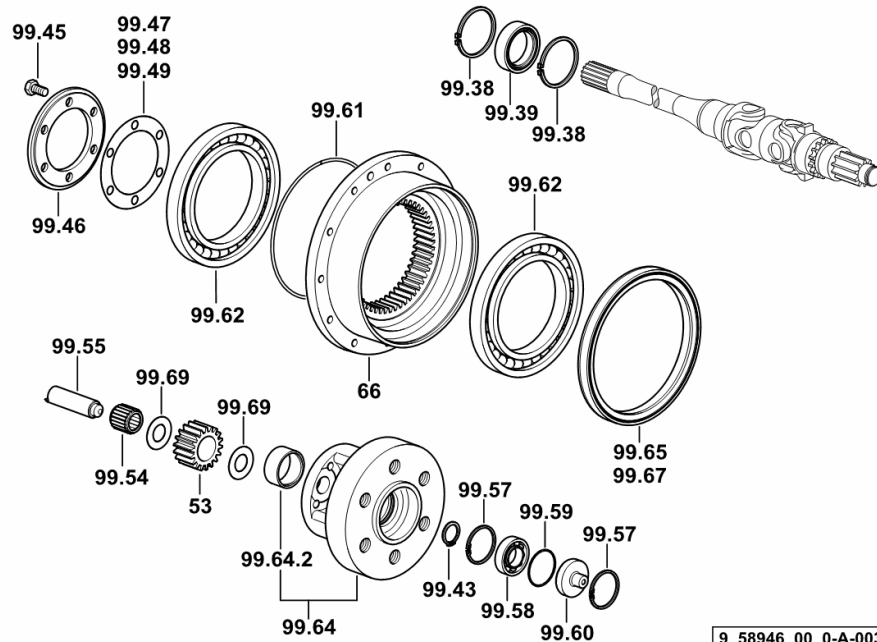
9_68443_08_0-B-001

Section: F0 - FRONT AXLE
4WD - FRONT REDUCTION GEARBOX

Fig.	Code	QTY	Name
------	------	-----	------

Notes:

[Agroplus 77]



9_58946_00_0-A-003

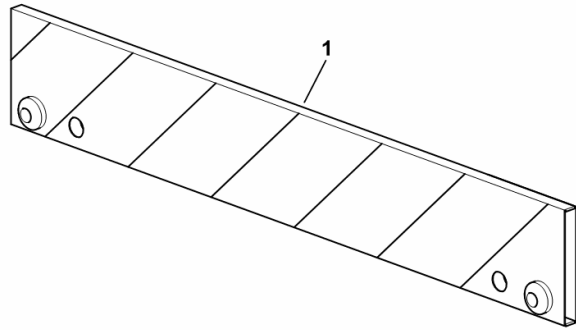
53	0.146.4644.0	6	planet gear Z = 18
66	0.008.5345.0	2	crown wheel
99.38	2.1411.025.1	4	circlip 62
99.39	2.2999.415.0	2	bearing 43.8 x 62 x 17
99.43	2.1419.029.7	2	circlip 25
99.45	2.0139.042.2	12	screw m 10 p.1.5 x 20
99.46	0.008.5401.0/20	2	spider
99.47	0.467.4653.0/10	4	shim 82x119x0.2
99.48	0.467.4654.0/10	4	ring 82x119x0.5
99.49	0.467.4655.0/10	4	ring 82x119x0.15
99.54	2.2999.030.0	6	roller cage 22 x 32 x 30
99.55	0.146.4643.0	6	pin
99.57	2.1411.019.1	4	circlip 47
99.58	2.2030.006.0	2	ball bearing 25 x 47 x 12
99.59	2.1530.118.0	2	'o' ring 46.04x3.53
99.60	0.270.4652.0	2	small cover
99.61	2.1530.276.0	2	'o' ring 177.4x3.53
99.62	2.2020.022.0	4	ball bearing 120x180x19
99.64	0.016.9260.3	2	spider
99.64.2	2.1559.309.0	1	bushing
99.65	2.1529.177.0/10	1	'o' ring 170x200x15
99.67	2.1529.177.0/10	1	'o' ring 170x200x15
99.69	2.1589.552.0	12	shoulder 22x42x1

RED AND WHITE STRIPED WARNING SIGN

Fig.	Code	QTY	Name
------	------	-----	------

Notes:
[Agroplus 77]

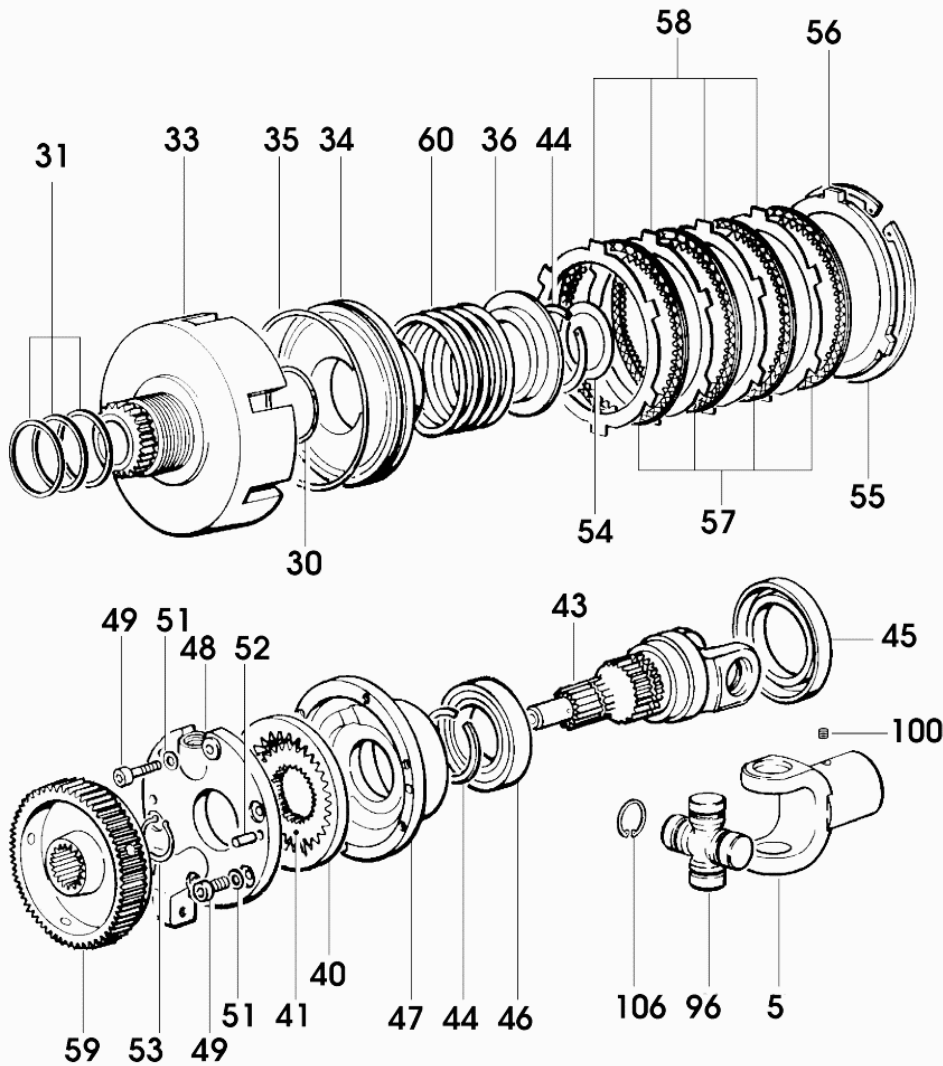
1	0.008.9583.3	1	rod
---	--------------	---	-----



9_C1359_81_0-A-001

Section: M0 - FRONT PTO
P.T.O. FRONT

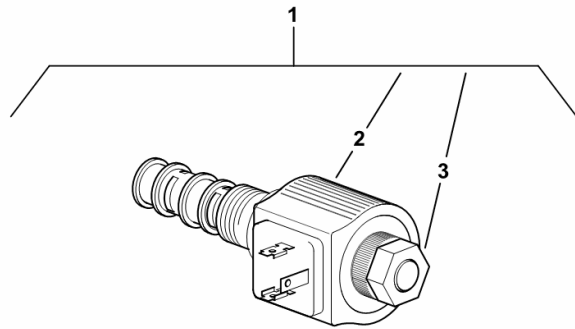
Fig.	Code	QTY	Name
5	0.008.8345.0/10	1	sleeve
30	2.1532.133.0	1	'o' ring 53.64x2.62
31	2.1569.109.0	3	gasket 46x50x2
33	0.275.3910.0/50	1	body
34	0.255.3938.0/40	1	piston
35	2.1539.064.0	1	'o' ring 120.33x2.62
36	0.255.3933.0	1	disc
40	0.008.1362.0/10	1	crown wheel Z = 31
41	0.008.1363.0/10	1	pinion z = 25 z = 30
43	0.008.8346.0/30	1	shaft
44	2.1420.016.0	1	circlip a 40
45	2.1520.229.0	1	oil seal 55 x 80 x 10
46	2.2030.009.0	1	ball bearing 40x68x15
47	0.008.1361.0/10	1	pump casing
48	0.008.2669.0/20	1	cover
49	2.0312.106.2	6	screw m 6 p.1 x 20
51	2.1480.012.1	6	washer 6, d128
52	2.1651.507.0	2	pin 6 x 16
53	2.1410.009.1	1	circlip 24
54	2.1599.415.0	1	snoulder 35x52x1
55	2.1419.035.1	1	circlip 127
56	0.255.3969.0/10	1	disc
57	0.255.3970.2	4	disc
58	0.255.3936.0	4	disc
59	0.445.3932.0/20	1	hub
60	2.4019.373.1	1	spring 79.5x61.5x6.5
96	0.146.4632.4/10	1	universal joint
100	2.3139.011.1	1	grain 1/8" gas
106	2.1499.012.1/10	4	circlip Ø 24



011_9177_4_30_C

Section: M0 - FRONT PTO
SOLENOID VALVE

Fig.	Code	QTY	Name
1	2.3729.400.0/20	1	electro valve
2	0.010.3140.0	1	coil
3	0.010.3140.1	1	ring nut



2_3729_400_0_20

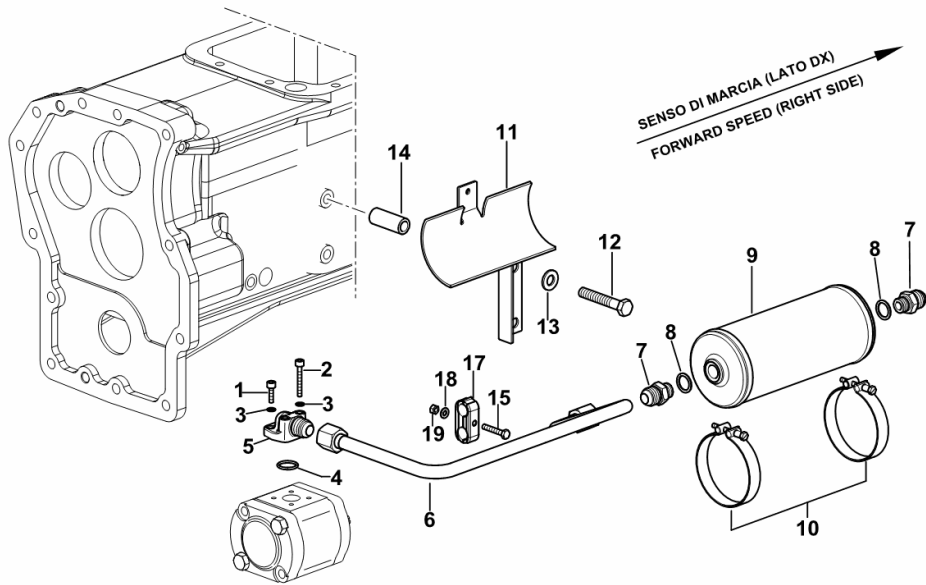
POWER STEERING OIL FEED HYDRAULIC SYSTEM

Fig.	Code	QTY	Name
------	------	-----	------

Notes:

[Agroplus 77] 1323 <-

1	2.0312.106.2	2	screw m 6 p.1 x 20
2	2.0312.114.2	2	screw m 6 p.1x40
3	2.1480.012.2	4	washer 6, d128
4	2.1531.052.0	1	'o' ring 20.29 x 2.62
5	0.008.9626.0	1	pipe fitting
6	0.013.5498.3	1	tube
7	2.3261.010.2	2	pipe fitting m 18 p.1.5 - 7/8" 14
8	2.1560.014.0	2	gasket 18.2 x 24 x 1.5
9	0.010.8872.0/20	1	filter
10	0.164.8157.3/20	2	hose clip Ø 97
11	0.013.5483.2	1	bracket
12	2.0112.423.2	2	screw m 12 p.1.75 x 70
13	2.1310.007.2	2	flat washer 13.5
14	2.1579.935.2	2	spacer
15	2.0112.013.2	1	screw m 6 p.1 x 35
17	2.3321.020.0	1	collar Ø 16
18	2.1310.002.2	1	washer 6.6, d125
19	2.1011.103.2	1	nut m 6 p.1



9_C1382_06_0-A-001

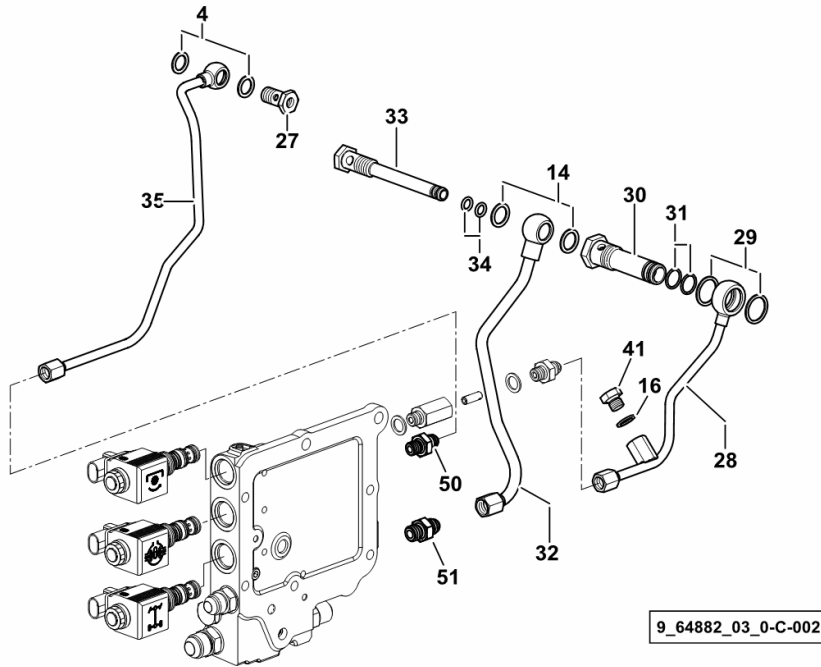
OIL CONTROL VALVES HOUSING PIPES

Fig.	Code	QTY	Name
------	------	-----	------

Notes:

[Agroplus 77] -> 1336

4	2.1560.010.0	2	gasket 14.2 x 20 x 1.5
14	2.1560.012.0	2	gasket 16.2 x 22 x 1.5
16	2.1560.008.0	1	gasket 12.2 x 18
27	2.3335.006.2	1	pipe union m 14 p.1.5x24
28	0.009.9749.3/40	1	tube
29	2.1560.017.0	2	gasket 22.2 x 27
30	0.009.9746.0/40	1	pipe fitting
31	2.1531.039.0	2	'o' ring 16
32	0.009.9748.3/30	1	tube
33	0.009.9745.0/20	1	pipe fitting
34	2.1531.016.0	2	ring 8.74 x 1.78
35	0.009.9747.3/30	1	tube
41	2.3110.402.1	1	plug m 12 p.1.5x10
50	2.3249.149.2	1	pipe fitting M/M 1/2 JIC-M12
51	2.3249.159.2	1	pipe fitting M/M 9/16JIC-M14



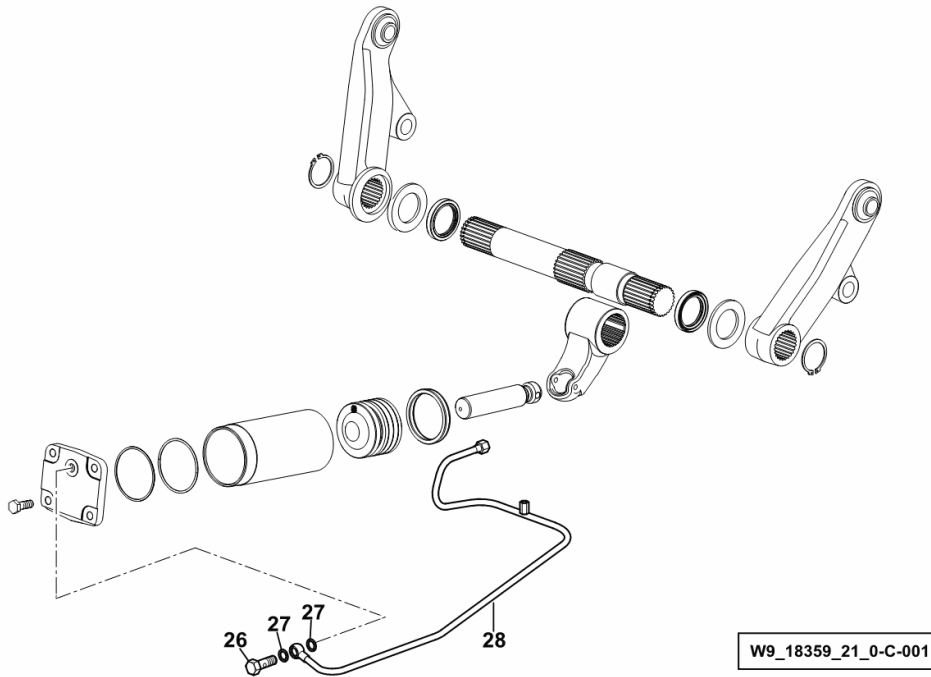
REAR LIFT CYLINDER BARREL

Fig.	Code	QTY	Name
------	------	-----	------

Notes:

- FOR TYPES WITH ELECTRONIC REAR LIFT [Agroplus 77]

26	2.3335.006.2	1	pipe union m 14 p.1.5x24
27	2.1560.010.0	2	gasket 14.2 x 20 x 1.5
28	0.011.6757.3	1	tube



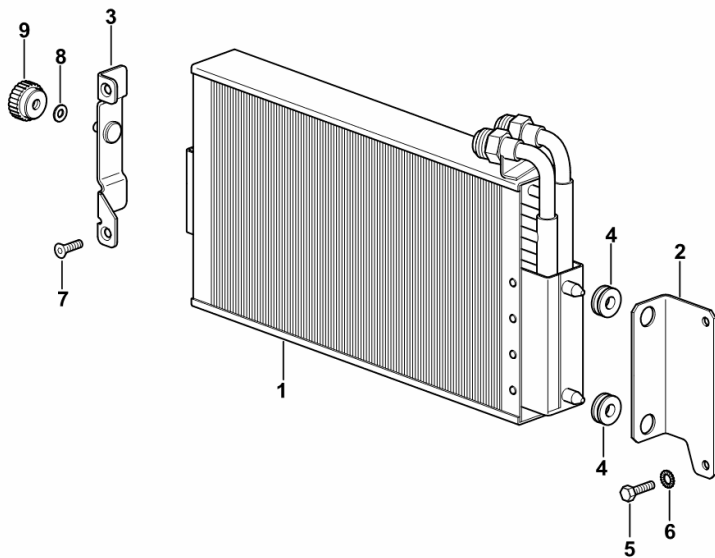
GEARBOX OIL COOLER

Fig.	Code	QTY	Name
------	------	-----	------

Notes:

[Agroplus 77]

1	0.014.2871.2/20	1	oil cooler
2	0.014.3797.0	1	support
3	0.014.3798.3/10	1	support
4	2.6560.004.0	2	wire guide 10x2.5
5	2.0112.005.2	2	screw m 6 p.1 x 16
6	2.1470.002.2	2	washer 6, d128
7	2.0342.201.3	2	screw m 6 p.1 x 10
8	2.1312.004.2	1	washer 8.4
9	0.98706.54.2/10	1	knob

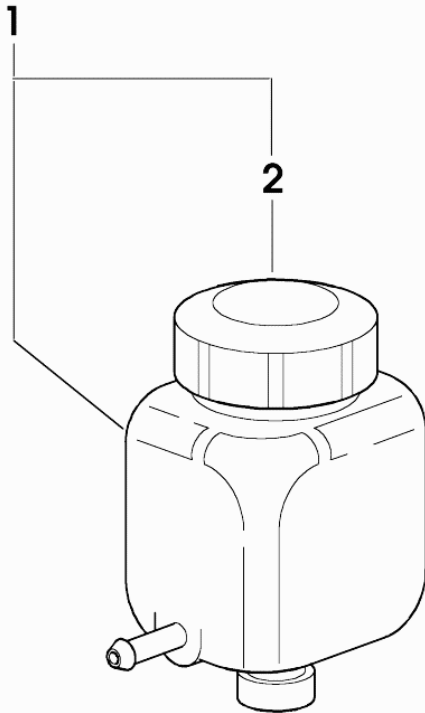


9_F0282_07_0-A-001

TANK - PARTS

Fig.	Code	QTY	Name
1	0.011.0212.3	1	tank
2	0.010.2795.0	1	plug

011_0212_3



Agroplus 77

Section: H0 - HYDRAULIC AND PNEUMATIC SYSTEM|

Ref.: H0.09.9 (1)

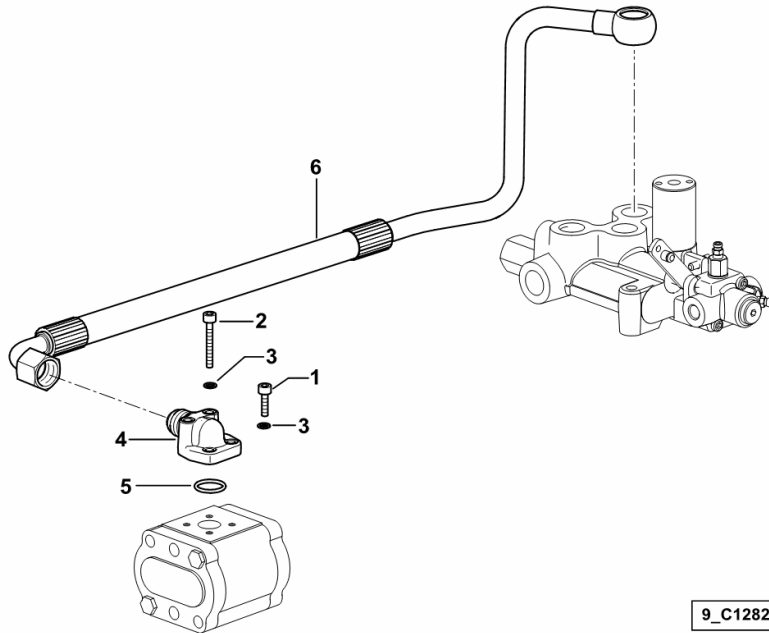
SYSTEM FROM HYDRAULIC PUMP TO HYDRAULIC BRAKES

Fig.	Code	QTY	Name
------	------	-----	------

Notes:

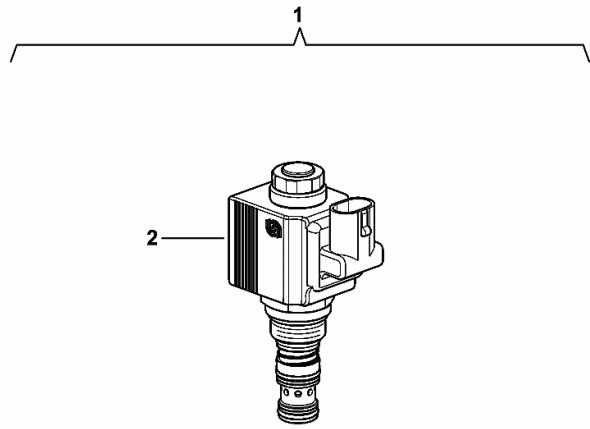
[Agroplus 77]

1	2.0312.106.2	2	screw m 6 p.1 x 20
2	2.0312.114.2	2	screw m 6 p.1x40
3	2.1480.012.2	4	washer 6, d128
4	0.008.9626.0	1	pipe fitting
5	2.1531.052.0	1	'o' ring 20.29 x 2.62
6	0.013.5493.3	1	tube



9_C1282_46_0-A-001

Fig.	Code	QTY	Name
1	2.3729.697.0/20	1	electro valve 13V - 20W
2	0.900.1130.7	1	coil



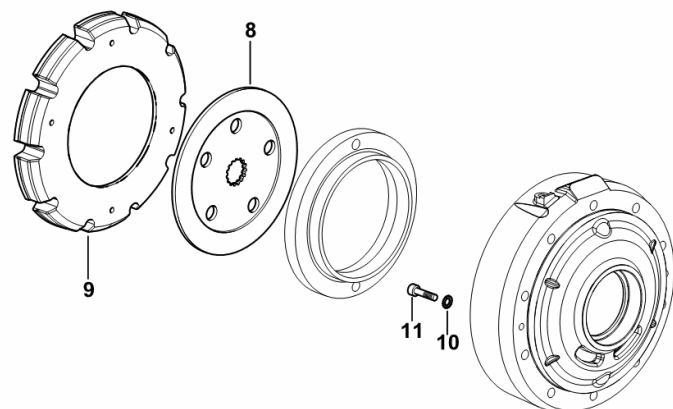
2.3729.697.0_20

REAR BRAKES

Fig.	Code	QTY	Name
------	------	-----	------

Notes:
[Agroplus 77]

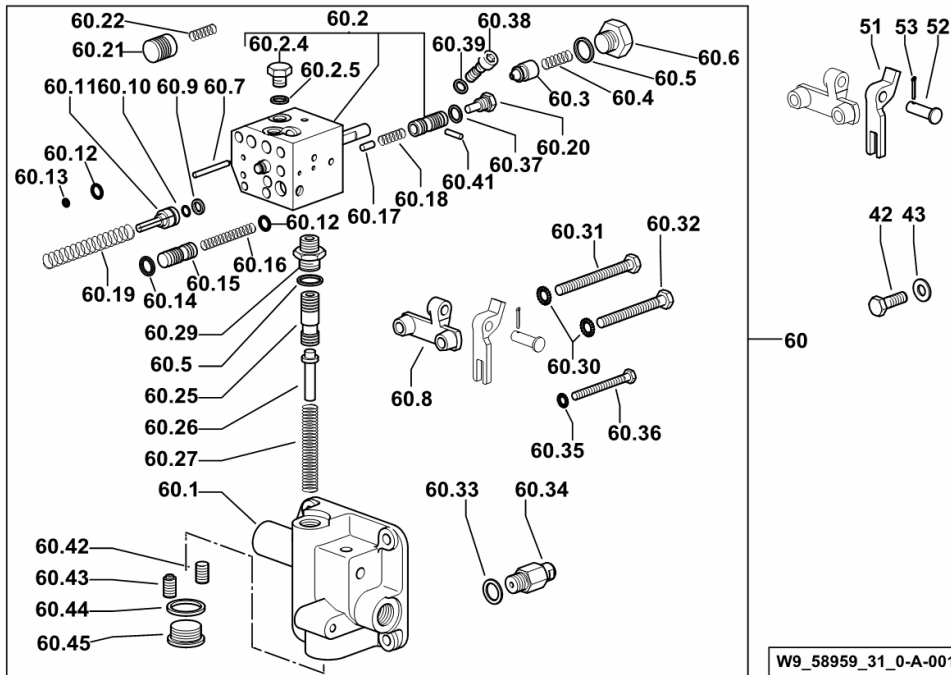
8	0.015.4482.2	2	brake disc
9	0.008.5159.0/30	2	disc
10	2.1480.014.1	4	washer 8
11	2.0312.212.2	4	screw m 8 p.1.25 x 35



9_64854_00_0-A-001

FLOW CONTROL VALVE WITH MECHANICAL CONTROL

Fig.	Code	QTY	Name
60.37	2.1569.095.0	1	gasket 10.4x14x1.2
60.38	0.009.3363.3	1	screw
60.39	2.1560.003.0	1	gasket 8.2 x 12
60.41	2.1631.307.0	1	roll pin 4x16
60.42	0.9123.450.3/10	1	grain
60.43	0.9123.454.3/10	1	grain
60.44	2.1560.019.0	1	gasket 24.3x30
60.45	2.3199.118.2	1	plug m 24 p.1.5



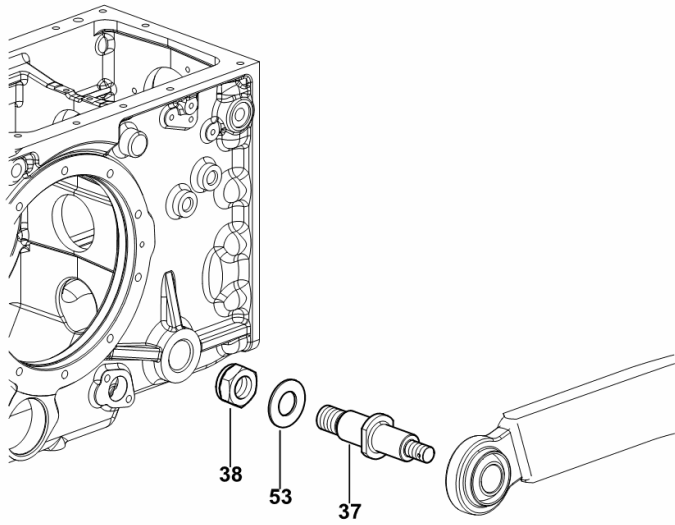
LIFT ARMS TO GEARBOX LOCK PINS

Fig.	Code	QTY	Name
------	------	-----	------

Notes:

[Agroplus 77]

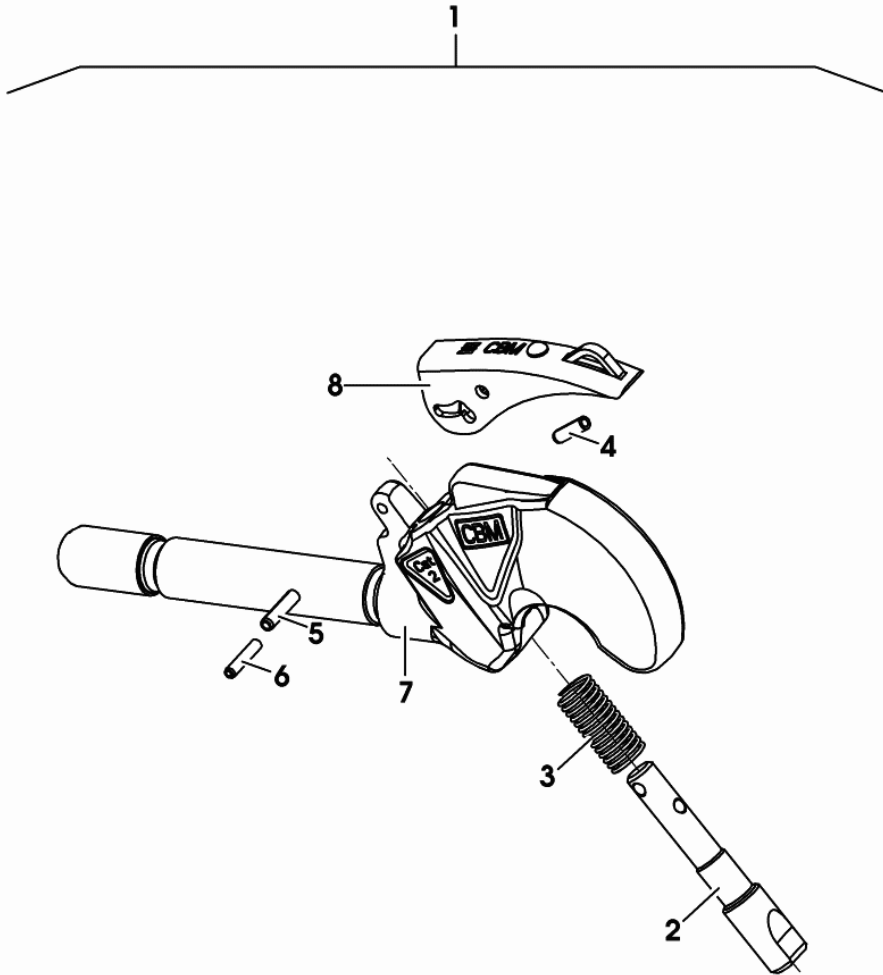
37	0.009.8983.0/40	2	pin m 20 p.1.5 / m 30 p.2
38	2.1120.315.2	2	nut m 30 p.2
53	2.4099.114.7	2	spring



9_C1231_00_0-E-001

Section: R0 - REAR LIFT
LINKAGE

Fig.	Code	QTY	Name
1	0.014.1412.3	1	rod 2 cat.-CBM-
2	04397651	1	pin
3	0.900.0070.6	1	spring
4	0.900.0070.7	1	roll pin
5	0.900.0070.8	1	pin
6	0.900.0070.9	1	roll pin
7	0.000.0000.1	0	not serviceable
8	04397652	1	lever

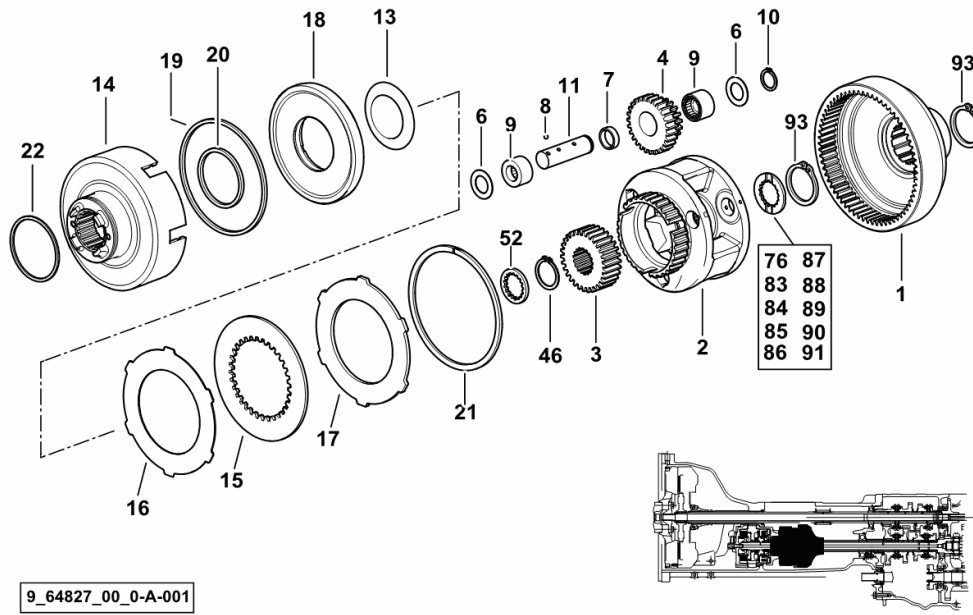


0_014_1412_3

Section: D0 - TRANSMISSION
H-M-L UNIT

Fig.	Code	QTY	Name
------	------	-----	------

Notes:
 - POWERSHIFT [Agroplus 77]



1	0.008.0266.0/30	1	crown wheel
2	0.008.0263.0/60	1	spider
3	0.008.0311.0/40	1	gear Z = 30 / Z = 17
4	0.008.0264.3/10	1	planet gear
6	2.1599.681.0	6	snoulder
7	2.1549.194.0/10	3	spacer 18.2x22x6
8	2.2819.005.0	3	ball mm 4
9	2.2999.297.0	6	roller cage
10	2.1410.005.1	3	circlip 18
11	0.008.0265.3	3	pin
13	2.1499.133.0	5	spring 45.5 x 70
14	0.008.0270.3/70	1	body
15	0.008.5632.2/10	2	friction ring mm 2.5
16	0.007.7714.0	2	disc mm 1.4
17	0.008.5681.0/20	1	disc mm 4
18	0.008.5670.0/30	1	piston
19	2.1532.215.0	1	'o' ring 113.89x3.53
20	2.1532.138.0	1	'o' ring 55.56x3.53
21	2.1411.046.7	1	circlip 130
22	2.1499.126.0/10	2	'o' ring 62x68x3
46	2.1410.011.7	4	circlip 28
52	2.1599.689.0	1	thrust plate 25x36x3.6
76	2.1599.730.0/10	0.1	thrust plate 25x42x3.2
83	2.1599.725.0/10	0.3	thrust plate 25x42x2.2
84	2.1599.726.0/10	0.3	thrust plate 25x42x2.4
85	2.1599.727.0/10	0.3	thrust plate 25x42x2.6
86	2.1599.728.0/10	0.5	thrust plate 25x42x2.8
87	2.1599.729.0/10	0.5	thrust plate 25x42x3
88	2.1599.731.0/10	0.1	thrust plate 25x42x3.4
89	2.1599.732.0/10	0.1	thrust plate 25x42x3.6
90	2.1599.733.0/10	0.1	thrust plate 25x42x3.8
91	2.1599.734.0/10	0.1	thrust plate 25x42x4
93	2.1410.017.1	2	circlip 42

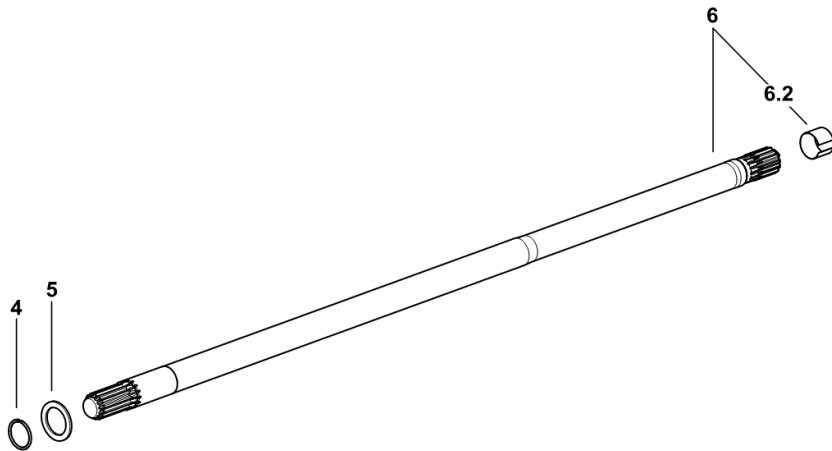
P.T.O. - CLUTCH TRANSMISSION SHAFT

Fig.	Code	QTY	Name
------	------	-----	------

Notes:

- FOR TYPES WITH OVERSPEED H-M-L (POWERSHIFT) [Agroplus 77] [Agroplus 77] 1103 <-

4	2.1420.010.1	1	circlip a 25
5	2.1599.677.0	1	thrust plate 25x35x2
6	0.008.0238.3/40	1	shaft
6.2	0.255.2550.0	1	ring



9_64825_00_0-B-001

5-SPEED GEARBOX SECONDARY SHAFT

9_B6133_00_0-B-001

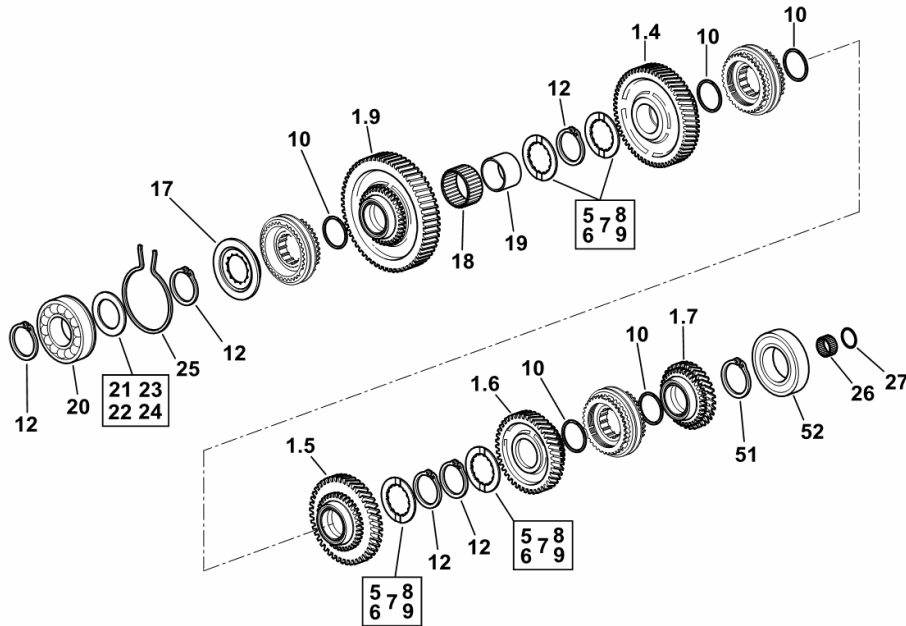


Fig.	Code	QTY	Name
------	------	-----	------

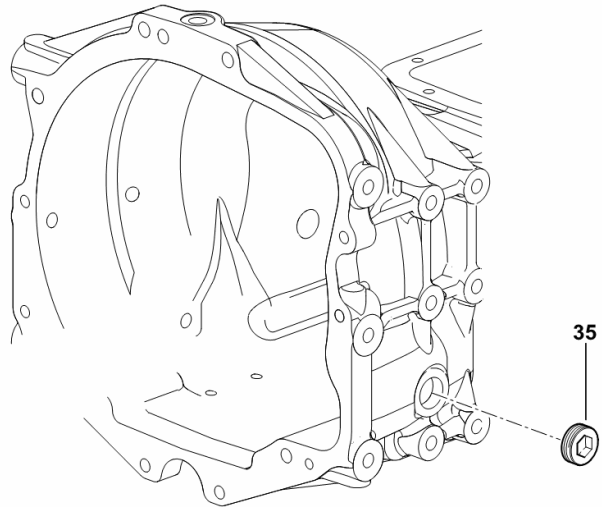
Notes:

- FOR TYPES WITH OVERSPEED H-M-L (POWERSHIFT) [Agroplus 77]

1.4	0.013.1651.0	1	gear Z = 49
1.5	0.013.1650.0	1	gear Z = 43
1.6	0.013.1649.0/10	1	gear Z = 36
1.7	0.013.1648.0	1	gear Z = 29
1.9	0.008.5107.0/40	1	gear Z = 59
5	0.008.0251.0	1	shim 39 x 64 x 2.65
6	0.010.0629.0	1	shim 39 x 64 x 2.85
7	0.010.0630.0	1	shim 39 x 64 x 3.05
8	0.010.0631.0	1	shim 39 x 64 x 3.25
9	0.010.0632.0	1	shim 39 x 64 x 3.45
10	2.1422.029.7	7	circlip 40 x 1.5
12	2.1410.017.1	6	circlip 42
17	0.010.1523.0/10	1	ring
18	2.2999.271.0	1	roller cage 47 x 55 x 28
19	2.1559.314.0/10	1	bushing 42 x 47 x 30
20	2.2999.336.0/10	1	bearing 42.025 x 90 x 23
21	2.1599.743.0	1	shoulder 42 x 62 x 3.1
22	2.1599.744.0	1	shoulder 42 x 62 x 3.2
23	2.1599.745.0	1	shoulder 42 x 62 x 3.3
24	2.1599.746.0	1	shoulder 42 x 62 x 3.4
25	2.1499.123.1/10	2	circlip 86 x 2.46
26	2.2999.173.0	1	roller cage 23 x 35 x 16.2
27	2.1423.026.7	1	circlip 35 x 1.5
51	2.1410.020.1	1	circlip 50
52	2.2043.014.0	1	ball bearing 50 x 90 x 20

Section: D0 - TRANSMISSION
FRONT GEARBOX PLUG

Fig.	Code	QTY	Name
Notes: [Agroplus 77]			
35	2.3131.052.2	1	plug m 32 p.1.5



9_64865_02_0-B-001

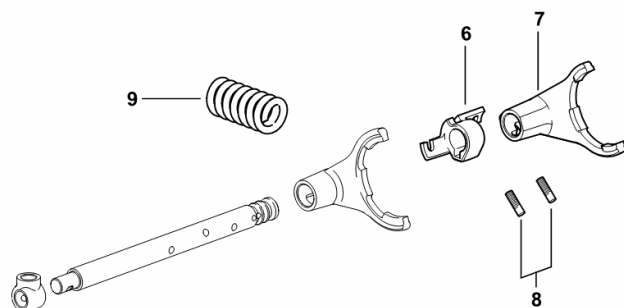
3-RANGE BOX

Fig.	Code	QTY	Name
------	------	-----	------

Notes:

[Agroplus 77]

6	0.008.5381.0/30	1	sleeve
7	0.008.0243.0	1	fork
8	2.0599.086.0/40	2	grain m 8 p.1.25 x 28
9	2.4019.566.1/10	1	spring



9_64834_06_0-A-001

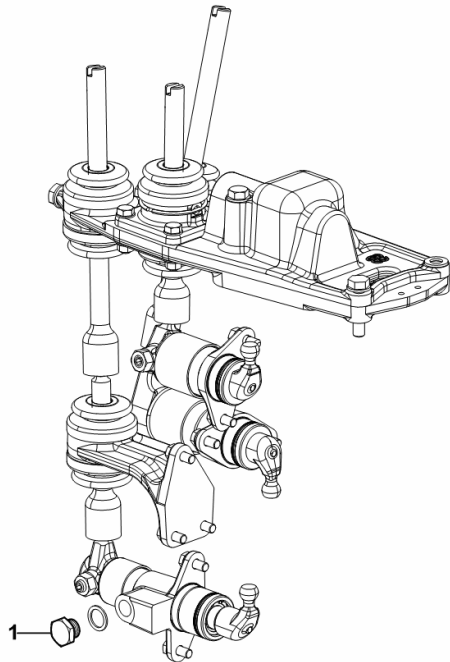
PLUG FRO TYPES W/O START ENABLING SWITCH

Fig.	Code	QTY	Name
------	------	-----	------

Notes:

[Agroplus 77] -> 1238

1	2.3110.404.2	1	plug m 16 p.1.5
---	--------------	---	-----------------



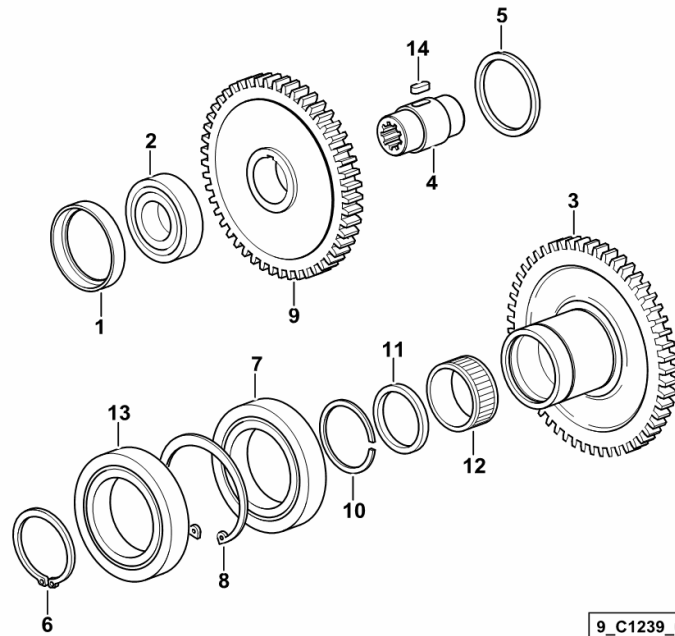
9_C1264_11_0-A-001

Section: D0 - TRANSMISSION
P.T.O. - PUMP CONTROL

Fig.	Code	QTY	Name
------	------	-----	------

Notes:

[Agroplus 77]



1	0.009.7026.0	1	spacer
2	2.2040.007.0	2	ball bearing 25x52x15
3	0.012.9604.0/10	1	gear z = 53
4	0.013.6552.0	1	sleeve
5	2.1549.200.0/10	1	spacer
6	2.1410.020.1	1	circlip 50
7	2.2030.011.0	1	ball bearing 50 x 80 x 16
8	2.1411.032.1	1	circlip 80 x 2.5
9	0.014.0480.0	1	gear Z = 49
10	2.1423.031.7	1	circlip 43.8x1.5
11	2.1549.372.0	1	spacer 42.5x35.15x5
12	2.2999.357.0	1	roller cage 42x35x17.8
13	2.2999.465.0	1	bearing 50 x 80 x 16
14	2.1710.203.0	1	key 8x7x16

9_C1239_00_0-A-002

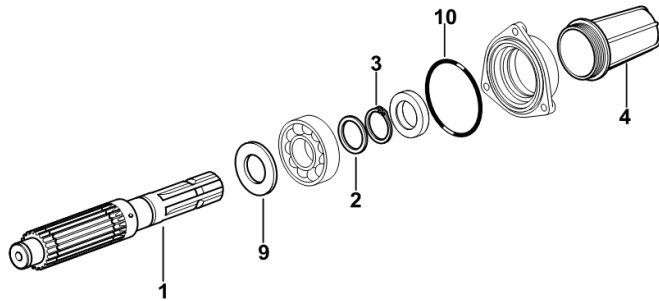
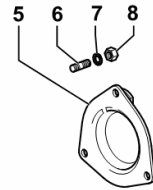
P.T.O. - 2 SPEED TYPE - FIXED END SHAFT

Fig.	Code	QTY	Name
------	------	-----	------

Notes:

[Agroplus 77] 1295 <-

1	0.012.0098.0/30	1	shaft
2	2.1599.874.0	1	washer 35 x 45 x 3.0
3	2.1412.013.7	1	ring Ø 35
4	0.154.3655.0/10	1	guard
5	0.008.5181.3/30	1	complete cover
6	2.0422.203.7	9	stud bolt m 8 p.1.25 x 20
7	2.1470.004.2	9	washer 8
8	2.1011.105.2	9	nut m 8 p.1.25
9	2.1599.792.0	1	shoulder
10	2.1539.025.0/10	1	'o' ring 88.57 x 2.62



9_C1236_04_0-A-001

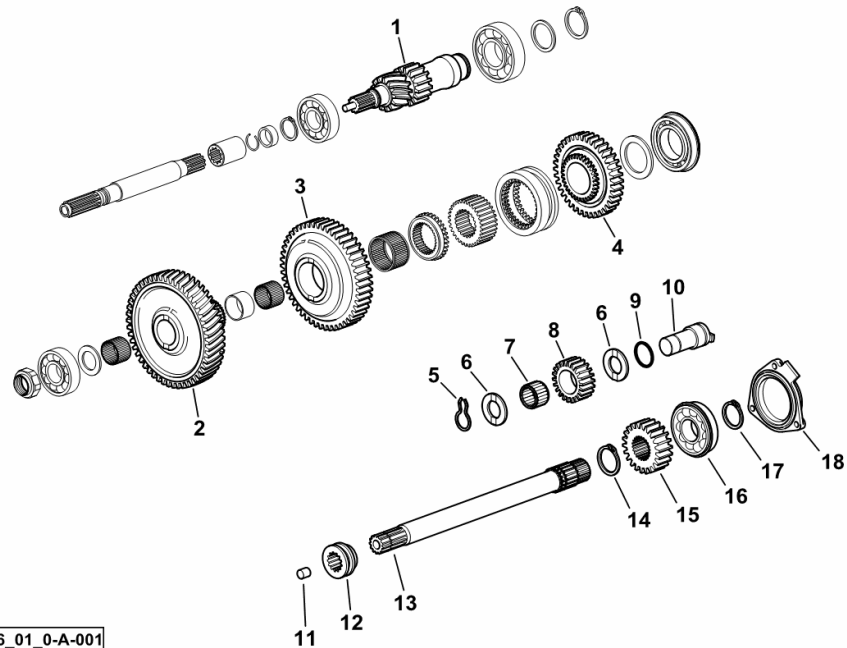
P.T.O. SHAFT 540 - 750 + SYNCRO

Fig.	Code	QTY	Name
------	------	-----	------

Notes:

- FOR TYPES WITH FIXED OUTPUT SHAFT [Agroplus 77] -> 1344

1	0.011.9944.0/10	1	shaft Z = 11 / Z = 14 / Z = 18
2	0.011.9934.0	1	gear Z = 51
3	0.011.9938.0	1	gear Z = 52
4	0.014.3816.0	1	gear Z = 36 / Z = 32
5	2.1499.175.0/10	1	ring 25.5 x 1.5
6	2.1599.793.0	2	shoulder 32 x 50 x 4
7	2.2999.282.0	1	roller cage 28 x 38 x 25.5
8	0.013.8497.0	1	gear Z = 22
9	2.1530.079.0	1	'o' ring 29.82 x 2.62
10	0.014.1953.0	1	p.t.o.shaft
11	2.1555.206.0	1	bushing 12 x 14 x 15
12	0.008.5192.0/10	1	sleeve Z = 13, sx/lh/li
13	0.010.7697.0/10	1	p.t.o.shaft
14	2.1410.015.1	1	circlip 38
15	0.013.8505.0	1	gear Z = 23 / 18
16	2.2999.235.0	1	bearing 35 x 80 x 21
17	2.1410.014.1	1	circlip 35
18	0.010.7707.0/30	1	cover



9_I7536_01_0-A-001

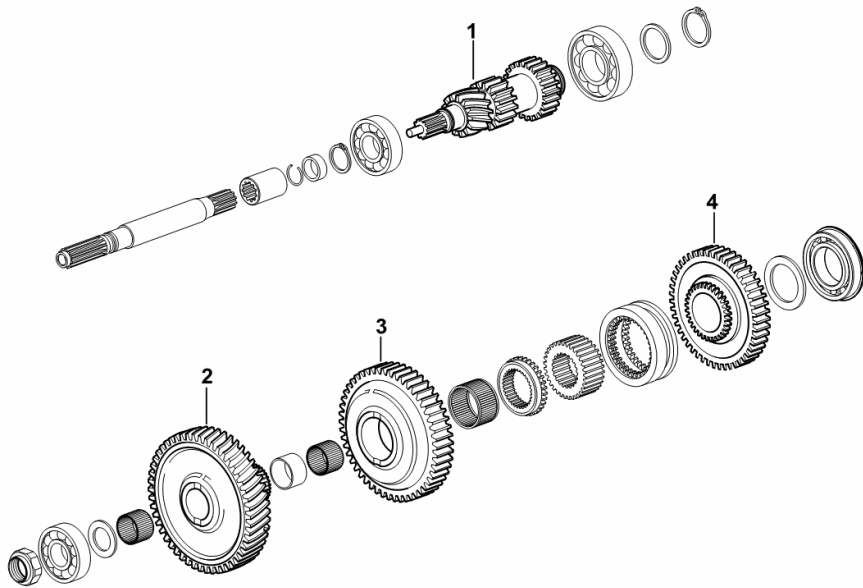
PTO - 3-SPEED WITH INSERTED END SHAFT 540-750-1000

Fig.	Code	QTY	Name
------	------	-----	------

Notes:

[Agroplus 77]

1	0.013.3587.0	1	p.t.o.shaft Z = 11 / 14 / 18 / 23
2	0.011.9934.0	1	gear Z = 51
3	0.011.9938.0	1	gear Z = 52
4	0.014.3922.0	1	gear Z = 47 / Z = 32



9_H6036_08_0-A-001

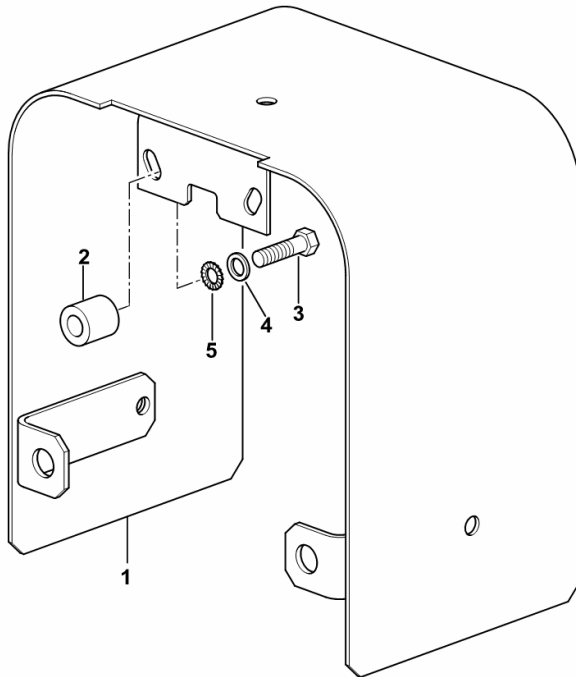
Section: D0 - TRANSMISSION
GUARD PLATE P.T.O.

Fig.	Code	QTY	Name
------	------	-----	------

Notes:

[Agroplus 77] 1300 <-

1	0.013.4426.3	1	sump
2	2.1579.982.2	2	spacer
3	2.0112.307.2	2	screw m 10 p.1.5 x 20
4	2.1310.006.2	2	flat washer 10.5
5	2.1470.006.2	2	lock washer 10



9_D1536_22_0-A-001

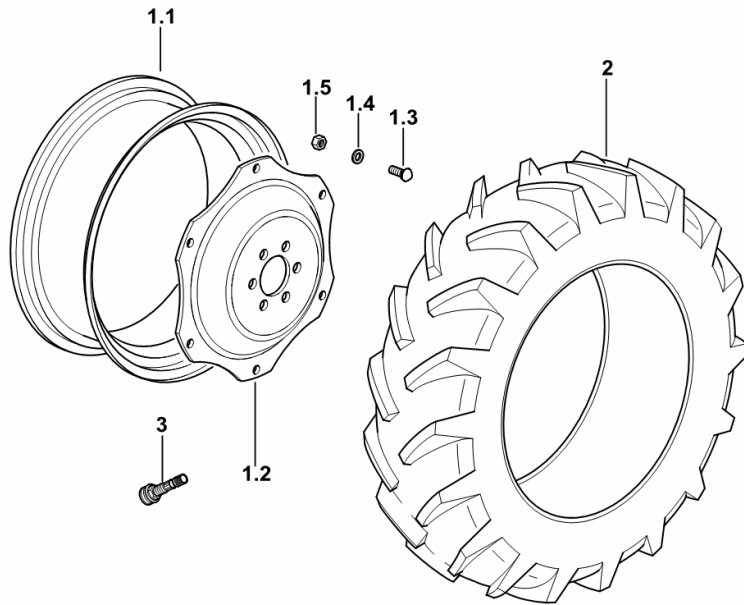
Section: S0 - WHEELS
WHEELS 320/85R20"(12.4R20")

Fig.	Code	QTY	Name
------	------	-----	------

Notes:

[Agroplus 77]

1.1	0.013.4310.3	1	rim W 10x20" C/ST
1.2	0.010.4301.0	1	rim center flange
1.3	2.0099.005.6	6	screw m 16 p.1.5 x 38
1.4	2.1499.019.6	6	washer 16.3 x 31.5
1.5	2.1019.059.6	6	nut m 16 p.1.5 x 16
2	2.4811.227.0	2	tyre 320/85R20"(12.4R20")
3	0.012.6364.0	2	valve



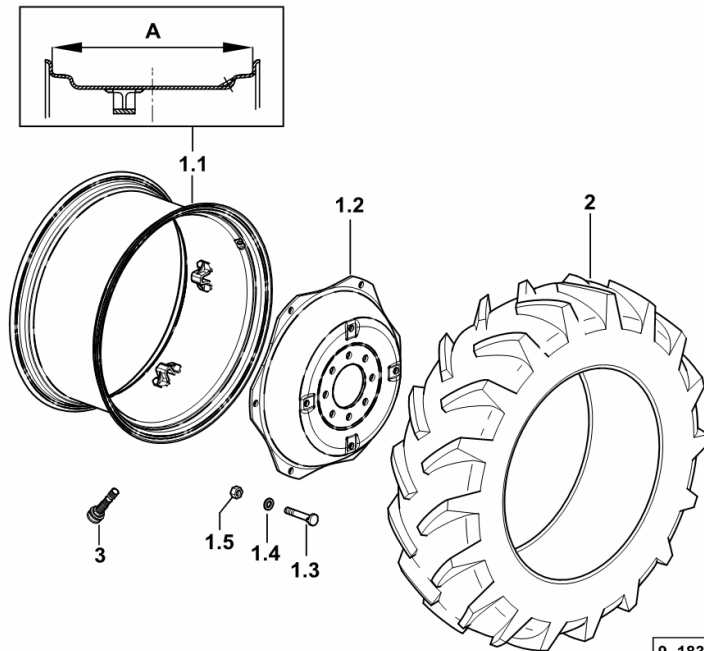
9_59255_22_0-A-002

Section: S0 - WHEELS
WHEELS 540/65R28" A8

Fig.	Code	QTY	Name
------	------	-----	------

Notes:
 [Agroplus 77]

1.1	0.012.3040.3	1	rim W 14Lx28" C/ST (1271 <-) - A = mm 355.6
1.1	0.015.9614.3	1	rim W 16Lx28" C/ST - A = mm 406.4
1.2	0.258.5551.0	1	rim center flange
1.3	2.0399.204.6/10	6	screw m 18 p.1.5x80
1.4	2.1499.018.6	6	conical washer 18 x 35.5
1.5	2.1019.060.6	6	nut m 18 p.1.5
2	2.4811.132.0	2	tyre 540/65R28" A8
3	0.012.6364.0	2	valve



9_18355_47_0-A-001

CLICK HERE TO **DOWNLOAD** THE COMPLETE MANUAL

- Thank you very much for reading the preview of the manual.
- You can download the complete manual from: www.heydownloads.com by clicking the link below



- Please note: If there is no response to CLICKING the link, please download this PDF first and then click on it.

CLICK HERE TO **DOWNLOAD** THE COMPLETE MANUAL