

## AGROPLUS 320 -> 5001

### V0 - BALLAST, TOWING HITCHES

#### FRONT HITCHES

FRONT TOWING HITCH.....	V0.01.0 (1)
HOOK PLATE.....	V0.01.1 (1)

#### REAR HITCHES

SUPPORTS.....	V0.02.2 (1)
PIN FOR REAR TOW HOOK.....	V0.02.3 (1)
REAR TOWING HITCH.....	V0.02.4 (1)
REAR TOWING HITCH BRACKET.....	V0.02.5 (1)
REAR SWINGING TOWING-HITCH.....	V0.02.6 (1)
TOWING FRAME - WITH PITON-FIX.....	V0.02.7 (1)
REAR OSCILLATING HITCH.....	V0.02.8 (1)
REAR TOWING HITCH CAT. " C ".....	V0.02.9 (1)
REAR TOWING HITCH cat. 2 - CEE.....	V0.02.10 (1)
REAR TOWING HITCH CAT. " D2 ".....	V0.02.11 (1)
DRAWBAR COUPLING CEE.....	V0.02.12 (1)
DRAWBAR COUPLING AUTOM. Ø 31.....	V0.02.13 (1)
DRAWBAR COUPLING AUTOM. Ø 38.....	V0.02.14 (1)
PICK-UP-HITCH - MECHANICAL.....	V0.02.15 (1)
PICK-UP-HITCH - MECHANICAL.....	V0.02.15 (2)
PICK-UP-HITCH - MECHANICAL.....	V0.02.15 (3)
PICK-UP-HITCH.....	0.014.8659.4/40.A
PICK-UP-HITCH.....	0.014.8659.4/60.A

#### FRONT BALLAST WEIGHTS

FRONT WEIGHT CARRIER.....	V0.03.0 (1)
FRONT BALLAST Kg 80.....	V0.03.1 (1)
FRONT BALLAST Kg 160.....	V0.03.2 (1)
FRONT BALLAST 320 Kg.....	V0.03.3 (1)
BALLAST LOCK BAR mm 30x780.....	V0.03.4 (1)
FRONT BALLAST KG. 250.....	V0.03.5 (1)

CLICK HERE TO **DOWNLOAD** THE COMPLETE MANUAL

- Thank you very much for reading the preview of the manual.
- You can download the complete manual from: [www.heydownloads.com](http://www.heydownloads.com) by clicking the link below



- Please note: If there is no response to CLICKING the link, please download this PDF first and then click on it.

CLICK HERE TO **DOWNLOAD** THE COMPLETE MANUAL

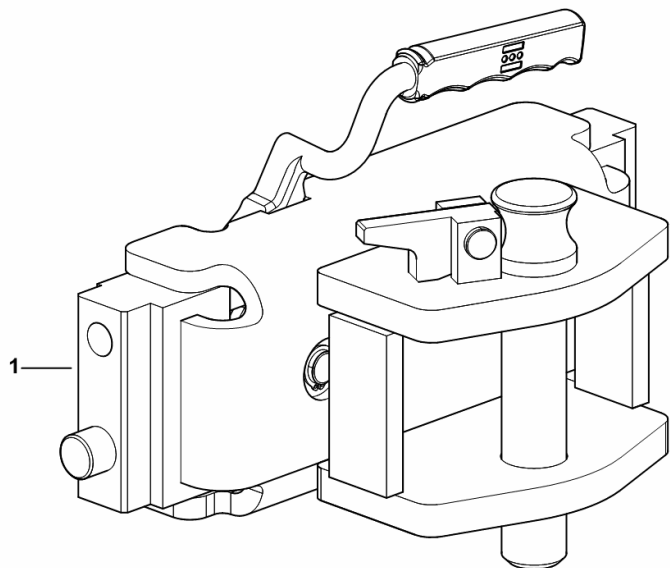
**REAR TOWING HITCH CAT. " C "**

Fig.	Code	QTY	Name
------	------	-----	------

**Notes:**

[AGROPLUS 320 -> ZKDR3302W0TD05001]

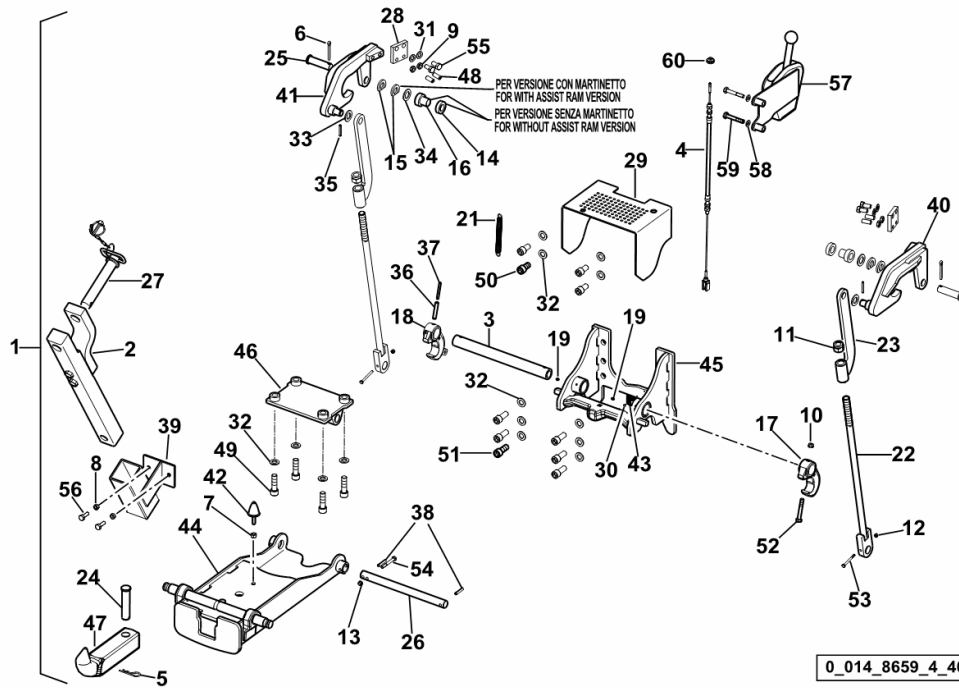
1	0.016.5188.3	1	tow hook CBM CUNA - CAT. C
---	--------------	---	----------------------------



9\_R3031\_70\_0-A-001

PICK-UP-HITCH

Fig.	Code	QTY	Name
46	0.900.0510.9	1	chassis frame
47	0.900.0511.0	1	ferrule
48	0.010.3110.2	4	screw m 12 x 30
49	0.900.0511.1	4	screw m 16 x 55
50	0.900.1365.1	4	screw m 16 x 30
51	0.900.1365.0	6	screw m 16 x 40
52	0.900.0511.2	1	screw m 10 x 70
53	0.900.0511.4	2	screw m 6 x 60
54	0.900.0511.5	1	screw m 8 x 65
55	0.010.3110.0	4	screw m 12 x 25
56	0.010.3157.1	2	screw m 10 x 30
57	0.010.3104.1	1	lever
58	0.010.3105.0	2	washer
59	0.010.3104.2	2	screw m 10 x 65
60	0.010.3115.1	1	grommet



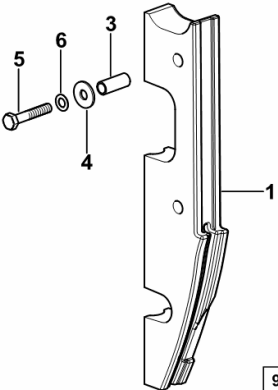
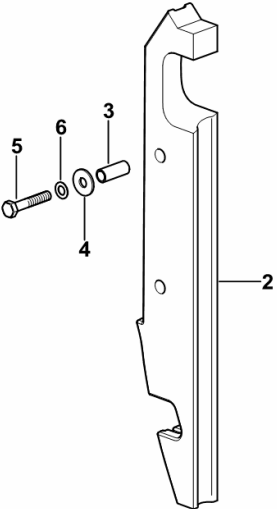
AIR CONDITIONING DATA PLATE.....	G0.02.49 (1)
AIR CONDITIONING DATA PLATE.....	G0.02.50 (1)
SPEED DATA PLATES.....	G0.02.51 (1)
PTO DATA PLATE 540/N.....	G0.02.52 (1)
PTO DATA PLATE 540 - 750.....	G0.02.53 (1)
PTO DATA PLATE 540 - 750 + SYNCRO.....	G0.02.54 (1)
PTO DATA PLATE 540 - 750 - 1000.....	G0.02.55 (1)
PRINTING FOR FUSE BOX.....	G0.02.58 (1)
PRINTING FOR FUSE BOX.....	G0.02.59 (1)
IDENTIFICATION PLATES FOR REAR CONNECTORS.....	G0.02.60 (1)
SPEED LABEL - 40 KM/H - REFLEX.....	G0.02.61 (1)
SPEED LABEL - 40 KM/H.....	G0.02.62 (1)
<b>CAB STRUCTURE - PLATFORM -SUSPENSION</b>	
PLATFORM.....	G0.03.0 (1)
CAB STRUCTURE.....	G0.03.1 (1)
GEAR LEVERS BASE.....	G0.03.2 (1)
SUPPORTS.....	G0.03.3 (1)
SPREADER PLATES.....	G0.03.4 (1)
LADDER.....	G0.03.5 (1)
CABLE GROMMET.....	G0.03.8 (1)
CABLE GROMMET.....	G0.03.9 (1)
FLOOR HOLE REDUCTION PLATE W/ ELECTRONIC REAR LIFT.....	G0.03.10 (1)
<b>FENDERS - FOOTSTEPS - EXTENSIONS</b>	
4WD - FRONT MUDGUARDS mm 355.....	G0.04.1 (1)
4WD - FRONT MUDGUARDS mm 410.....	G0.04.2 (1)
MUDGUARDS EXTENSIONS mm 108.....	G0.04.3 (1)
MUDGUARDS EXTENSIONS L=180.....	G0.04.4 (1)
MUDGUARDS EXTENSIONS mm 200.....	G0.04.5 (1)
MUDGUARDS EXTENSIONS L = mm 240.....	G0.04.6 (1)
FENDERS.....	G0.04.7 (1)
FENDERS.....	G0.04.8 (1)
COMPLETION.....	G0.04.9 (1)
PLUGS.....	G0.04.9 (2)
BRACKET - SPEED LABEL - DX/RH/RE.....	G0.04.10 (1)
REFLECTOR SUPPORT - SX/LH/LI.....	G0.04.11 (1)
REFLECTOR SUPPORT.....	G0.04.12 (1)
WING HOLDER sx/lh/li.....	0.015.4232.3.A
WING HOLDER dx/rh/re.....	0.015.4233.3.A
<b>DOORS - WINDOWS - WIPERS</b>	
WINDSCREEN.....	G0.05.0 (1)
CAB DOOR DX/RH/RE.....	G0.05.1 (1)
CAB DOOR SX/LH/LI.....	G0.05.2 (1)
REAR WINDOW.....	G0.05.3 (1)
DAMPER FOR REAR WINDOW HATCH.....	G0.05.4 (1)

**ENGINE HOOD GASKETS**

Fig.	Code	QTY	Name
------	------	-----	------

Notes:  
 [AGROPLUS 320 -> ZKDR3302W0TD05001]

1	0.016.2760.0	1	gasket sx/lh/li
2	0.016.2758.0	1	gasket dx/rh/re
3	2.1549.657.2	4	spacer
4	2.1312.004.2	4	washer 8.4
5	2.0112.217.2	4	screw m 8 p.1.25 x 45
6	2.1470.004.2	4	washer 8



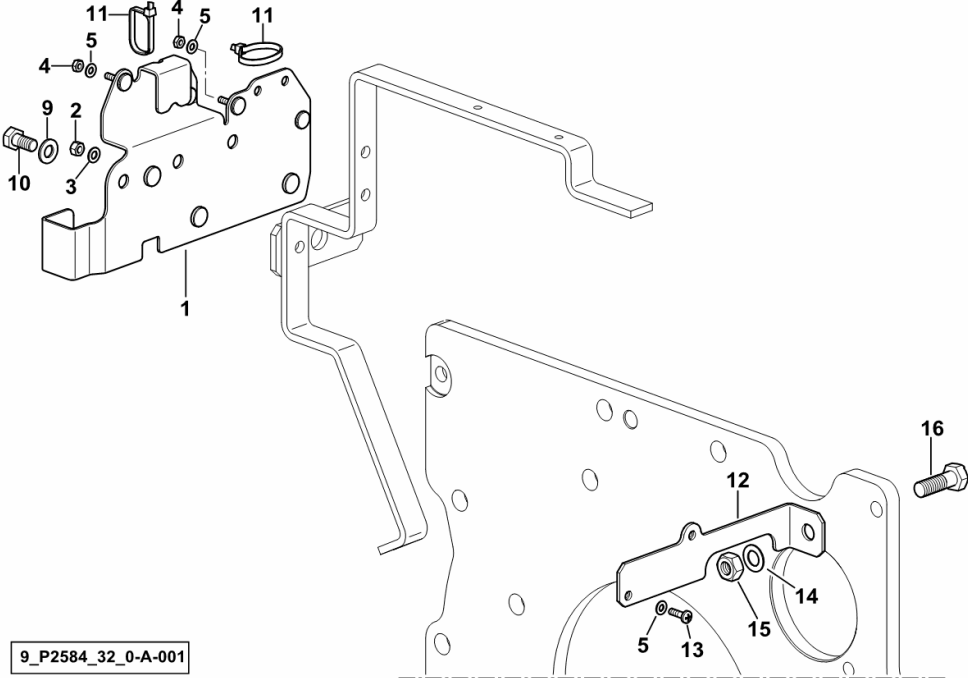
9\_P2572\_07\_0-A-001

Section: G0 - BODYWORK - CAB  
**FUSE AND RELAY SUPPORTS**

Fig.	Code	QTY	Name
------	------	-----	------

Notes:  
[AGROPLUS 320 -> ZKDR3302W0TD05001]

1	0.016.4145.3/20	1	plate
2	2.1011.102.2	3	nut m 5 p.0.7
3	2.1310.001.2	3	flat washer 5.3
4	2.1011.101.2	4	nut m 4 p.0.7
5	2.1310.028.2	6	flat washer 4
9	2.1310.004.2	2	flat washer 8.5
10	2.0112.205.2	2	screw m 8 p.1.25 x 16
11	2.6852.101.0	2	clamp 142x3.6
12	0.013.4058.3/10	1	plate
13	2.0332.205.2	2	screw m 4x0.7x14
14	2.1470.006.2	1	lock washer 10
15	2.1011.106.2	1	nut m 10 p.1.5
16	2.0112.311.2	1	screw m 10 p.1.5 x 30



9\_P2584\_32\_0-A-001

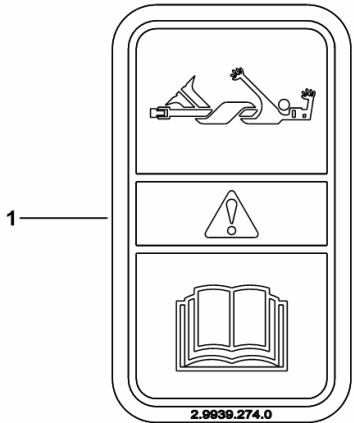
**P.T.O. WARNING PLATE FRONT**

Fig.	Code	QTY	Name
------	------	-----	------

Notes:  
 [AGROPLUS 320 -> ZKDR3302W0TD05001]

1	2.9939.274.0	1	plate
---	--------------	---	-------

9\_F1988\_36\_0-A-001



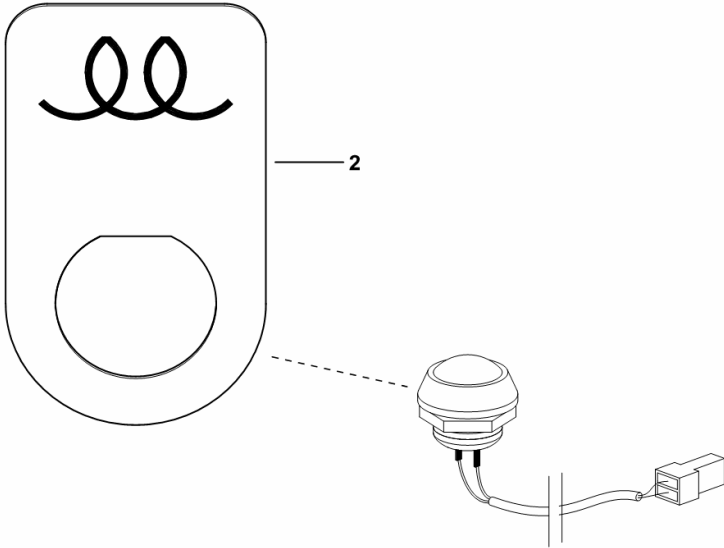
Section: G0 - BODYWORK - CAB  
**PREHEATER BUTTON PLATE**

Fig.	Code	QTY	Name
------	------	-----	------

Notes:  
- EXPORT U.S.A. [AGROPLUS 320 -> ZKDR3302W0TD05001]

2	2.9929.549.0/10	1	plate
---	-----------------	---	-------

9\_R3084\_04\_0-A-001



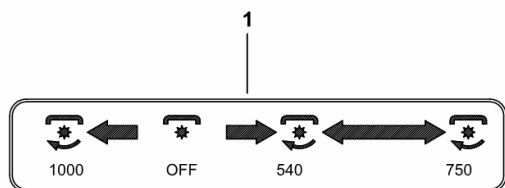
**PTO DATA PLATE 540 - 750 - 1000**

Fig.	Code	QTY	Name
------	------	-----	------

**Notes:**

[AGROPLUS 320 -> ZKDR3302W0TD05001]

1	2.9929.921.0	1	plate 540 - 750 - 1000
---	--------------	---	------------------------



9\_C1236\_09\_0-A-001

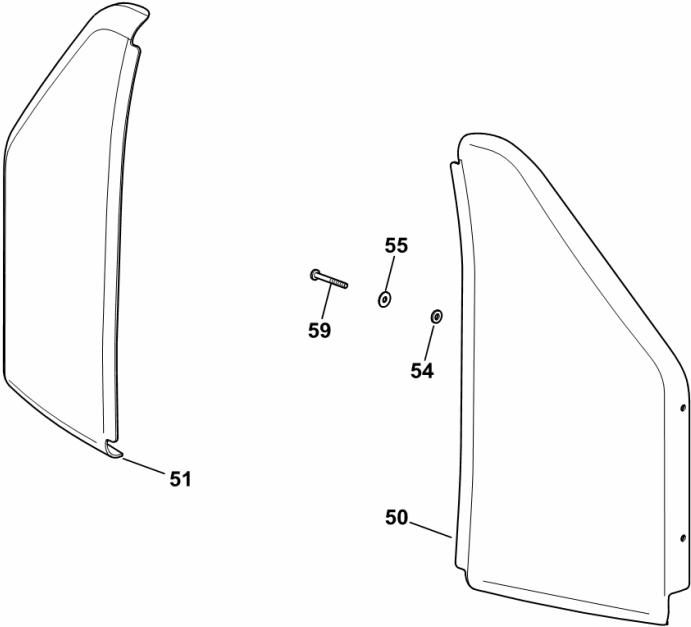
**SPREADER PLATES**

Fig.	Code	QTY	Name
------	------	-----	------

**Notes:**  
 - FOR MODELS WITH PLATFORM [AGROPLUS 320 -> ZKDR3302W0TD05001]

50	0.013.6012.0/10	1	baffle sx/lh/li
51	0.013.6013.0/10	1	baffle dx/rh/re
52	2.1140.018.2	4	nut m 6 p.1, d934
53	2.1549.209.3	4	spacer 7x15x22
54	2.1569.165.0	8	gasket 7x15
55	2.1312.003.2	4	washer 6
59	2.0332.413.3	4	screw m 6 p.1 x 50

9\_R3076\_20\_0-B-001



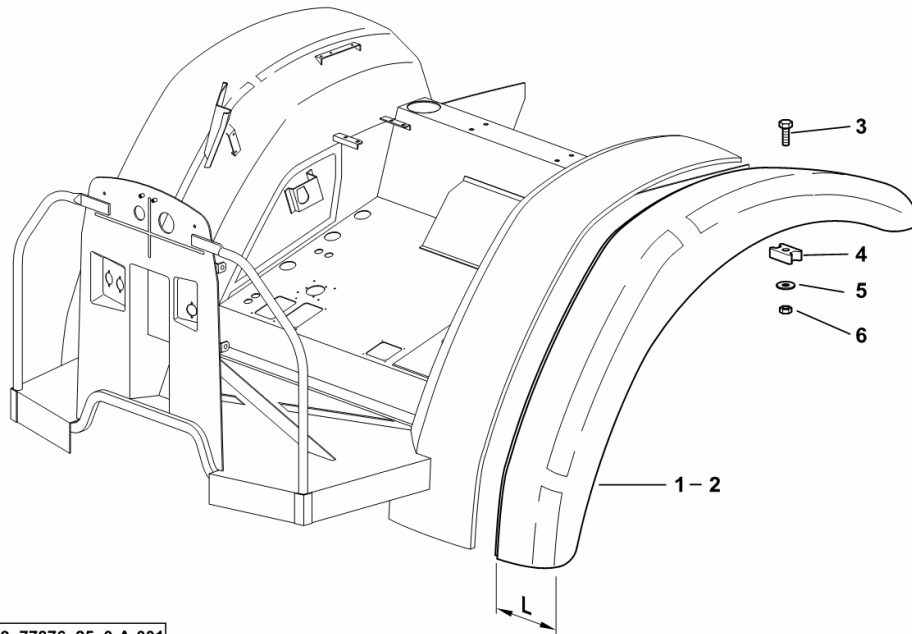
**MUDGUARDS EXTENSIONS L=180**

Fig.	Code	QTY	Name
------	------	-----	------

**Notes:**

[AGROPLUS 320 -> ZKDR3302W0TD05001]

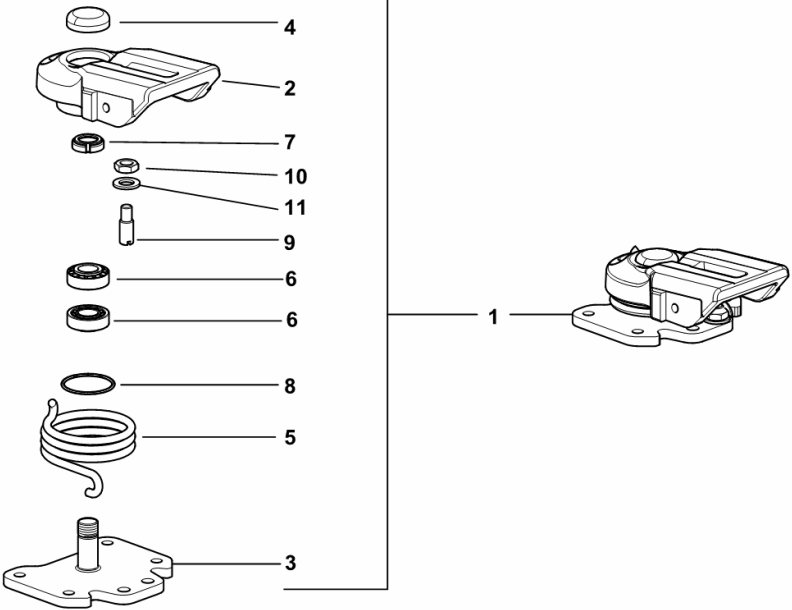
1	0.010.7564.0/20	1	extension dx/rh/re
2	0.010.7565.0/20	1	extension sx/lh/li
3	2.0112.207.2	18	screw m 8 p 1.25 x 20
4	0.007.5537.0	18	small block
5	2.1312.004.2	18	washer 8.4
6	2.1120.105.2	18	selflock nut m 8 p.1.25



9\_77876\_25\_0-A-001

WING HOLDER sx/lh/li

Fig.	Code	QTY	Name
1	0.015.4232.3	1	support sx/lh/li
2	0.000.0000.1	1	not serviceable
3	0.000.0000.1	1	not serviceable
4	0.900.1404.1	1	small cover
5	0.900.1404.9	1	spring
6	0.900.1404.3	2	bearing
7	0.900.1404.4	1	ring nut
8	0.900.1404.5	1	gasket
9	0.900.1404.6	1	grain
10	0.900.1404.7	1	nut
11	0.900.1404.8	1	washer



0.015.4232.3

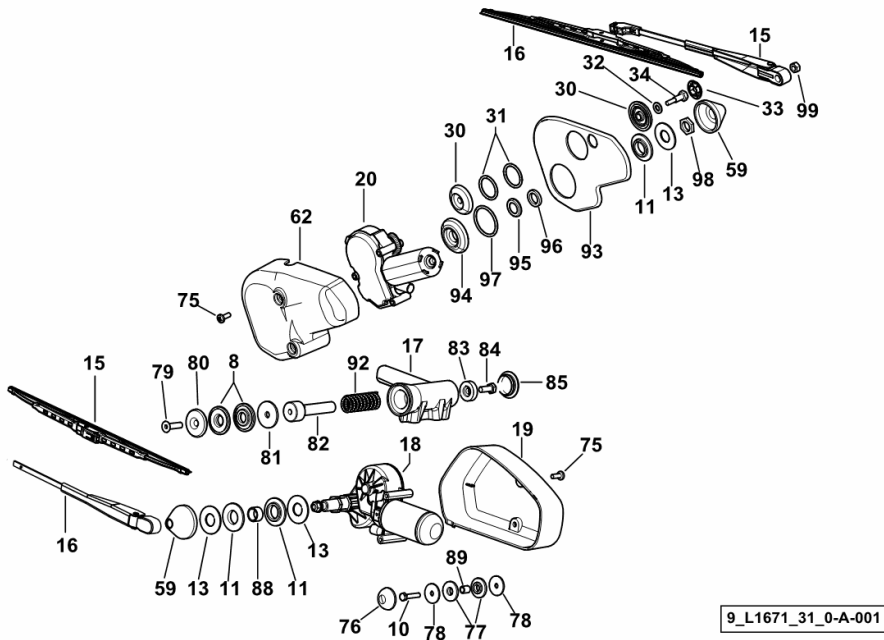
**SCREEN WIPER FRONT / REAR**

Fig.	Code	QTY	Name
------	------	-----	------

**Notes:**

- FOR "HIGH VISIBILITY" CAB [AGROPLUS 320 -> ZKDR3302W0TD05001]

8	0.009.0422.0	2	gasket
10	2.0112.011.2	1	screw m 6 p.1x30
11	2.1569.176.0	3	gasket 20x40x6
13	2.1599.528.2	3	washer 18x40x2
15	0.010.1825.0	2	rod
16	0.015.0560.3	2	wiper blade
17	0.011.6170.2/20	1	handle
18	2.9019.200.0/10	1	wiper motor
19	0.013.4596.0	1	hood
20	04413192	1	wiper motor
30	04411716	2	washer
31	2.1530.078.0	2	'o' ring 29.74x3.53
32	2.1310.004.2	2	flat washer 8.5
33	04413809	1	screw
34	04413793	1	cap
59	0.010.4983.0	2	rubber plug
62	04412044	1	cover
75	2.0332.406.3	4	screw m 6 p.1.0 x 16
76	0.012.9760.0	1	tube
77	0.012.6609.0	2	rubber ring
78	2.1599.545.2	2	washer 6.5x28x2
79	2.0349.002.3	1	screw m 8 p.1.25 x 30
80	2.1499.093.0/10	1	washer 8.5
81	2.1599.495.2	1	washer 8.5
82	0.011.5986.4	1	pin
83	0.011.5989.0	1	block
84	2.0112.207.2	1	screw m 8 p 1.25 x 20
85	0.009.0210.0/10	5	plug 30 x 38 x 9.0
88	2.1549.566.2	1	spacer 16x20x11
89	2.1549.541.2	1	spacer 7x10x11
92	2.4019.517.1	1	spring
93	04414610	1	gasket
94	04413223	1	washer
95	04413208	1	bushing
96	04414586	1	spacer
97	2.1530.103.0	1	'o' ring 39.69x3.53
98	2.1019.135.3	1	nut m16x1
99	2.1011.105.2	1	nut m 8 p.1.25



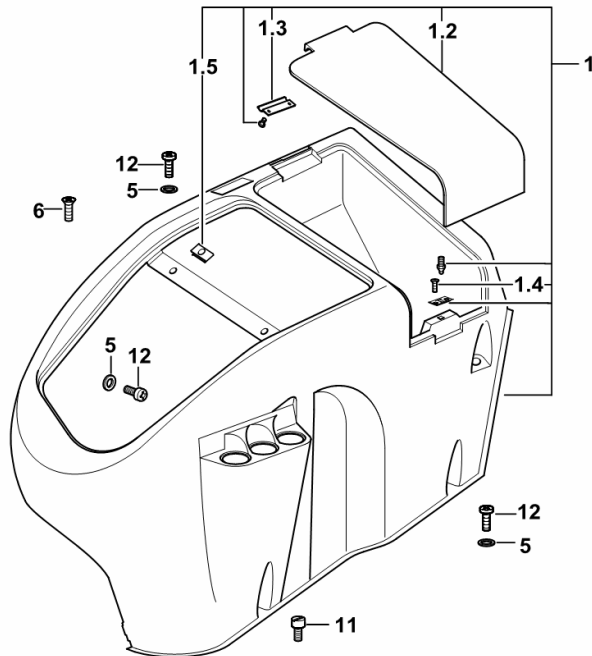
**CONTROL CONSOLE - DX/RH/RE**

Fig.	Code	QTY	Name
------	------	-----	------

**Notes:**

- FOR TYPES WITH ELECTRONIC REAR LIFT [AGROPLUS 320 -> ZKDR3302W0TD05001]

1	0.016.5144.4	1	consolle dx/rh/re
1.2	0.007.6657.0/30	1	cover
1.3	0.007.6656.0/10	1	small spring
1.4	2.0361.205.2	2	screw 3x8
1.5	2.6999.064.6	2	special nut m 6
5	2.1312.003.3	3	washer 6.6 x 18
6	2.0322.407.3	2	screw m 6 p.1 x 20
11	2.1699.466.2	1	pin m 6 x 15
12	2.0332.408.3	3	screw m 6 p.1 x 25



9\_R3071\_24\_0-A-001

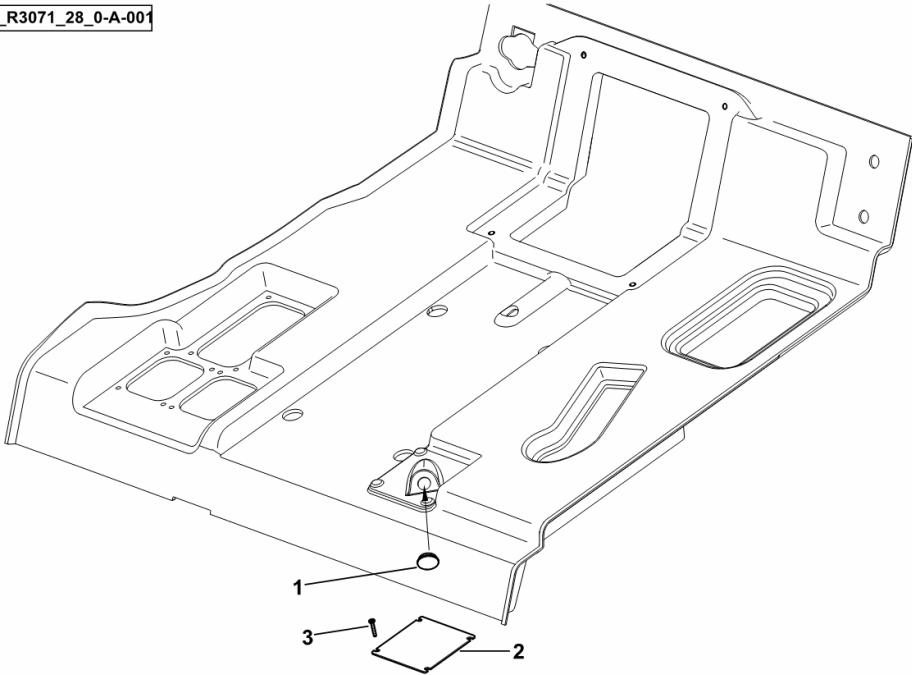
FLOOR PLUG

Fig.	Code	QTY	Name
------	------	-----	------

Notes:  
 - FOR TYPES WITHOUT OIL FLOW CONTROL [AGROPLUS 320 -> ZKDR3302W0TD05001]

1	0.9200.178.0	1	plug Ø 17
2	0.009.7288.0/10	1	lamination
3	2.0350.257.6	4	screw 3.5x22

9\_R3071\_28\_0-A-001



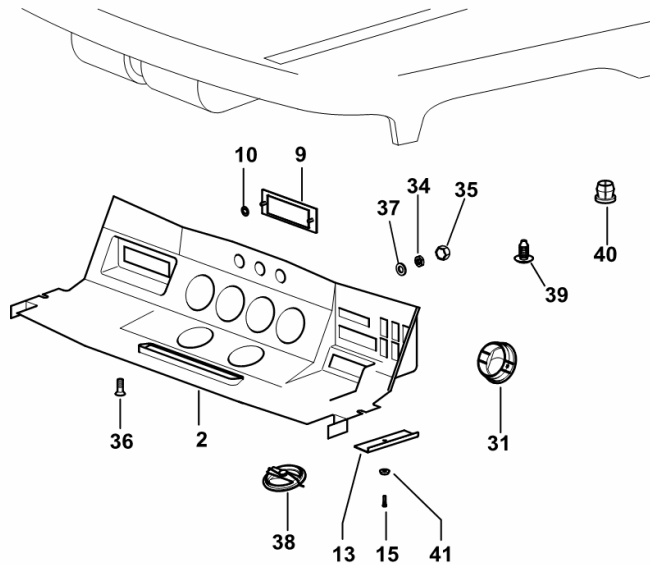
**INTERIOR TRIM**

Fig.	Code	QTY	Name
------	------	-----	------

**Notes:**

[AGROPLUS 320 -> ZKDR3302W0TD05001] 5241 <-

2	0.015.1000.0	1	front grille
9	0.010.0880.0/10	1	cover
10	2.6999.049.0	2	small spring
13	0.010.5114.0/10	2	bracket
15	2.0350.255.3	6	screw m 3.5 x 16 -AB-
31	0.009.8654.2	4	tongue mm 82.8
34	2.1011.103.2	2	nut m 6 p.1
35	01174041	2	cap
36	2.0350.454.3	6	screw m 4.2 x 13 -AB-
37	2.1310.002.3	2	flat washer 6.4 x 12 x 1.6
38	0.009.0455.4	2	tongue mm 67.5
39	04429415	12	plug
40	2.3199.107.0	2	plug 14x12.5
41	0.9200.358.0	6	washer 5.4x10x15.8



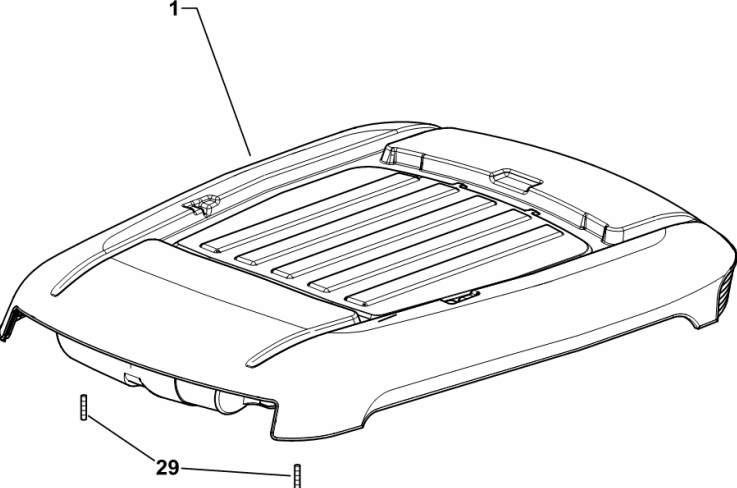
9\_L1671\_24\_0-A-001

**DRIVER'S CAB ROOF**

Fig.	Code	QTY	Name
------	------	-----	------

**Notes:**  
 - FOR TRACTORS WITH AIR HEATING [AGROPLUS 320 -> ZKDR3302W0TD05001] 5185 <-

1	0.012.9108.2/80	1	roof
29	2.0422.203.7	2	stud bolt m 8 p.1.25 x 20



9\_L1671\_60\_0-A-001

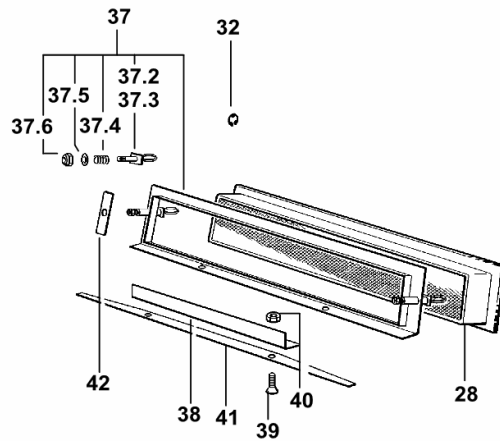
**SPIN-ON FILTER**

Fig.	Code	QTY	Name
------	------	-----	------

**Notes:**

- FOR TRACTORS WITH AIR HEATING [AGROPLUS 320 -> ZKDR3302W0TD05001] 5185 <-

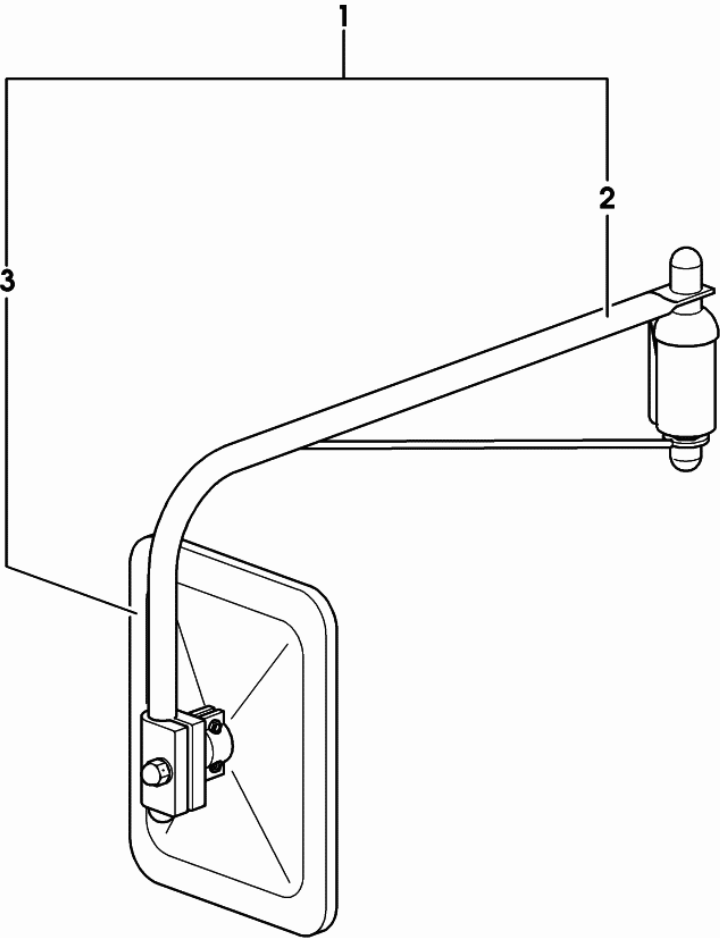
28	0.009.9424.2/10	1	air filter element
32	2.1430.005.2	4	circlip
37	0.010.4137.4/10	1	chassis frame
37.2	0.010.4059.2/10	1	latch sx/lh/li
37.3	0.010.4058.2/10	1	latch dx/rh/re
37.4	2.4019.647.2	2	spring
37.5	2.1310.004.2	2	flat washer 8.5
37.6	2.1121.005.2	2	nut m 8 p.1.25
38	0.010.1952.0/10	2	angular
39	2.0342.007.6	4	screw m 4 p.0.7 x 30
40	2.1120.001.2	4	selflock nut m 4 p.0.7
41	0.010.4152.0	2	gasket
42	0.010.4153.0	2	gasket



9\_L1671\_60\_0-B-001

**REARVIEW MIRROR**

Fig.	Code	QTY	Name
1	0.009.7547.4/20	1	rear view mirror sx/lh/li
2	0.900.0017.9	1	rod
3	0.9233.183.3	1	rear view mirror



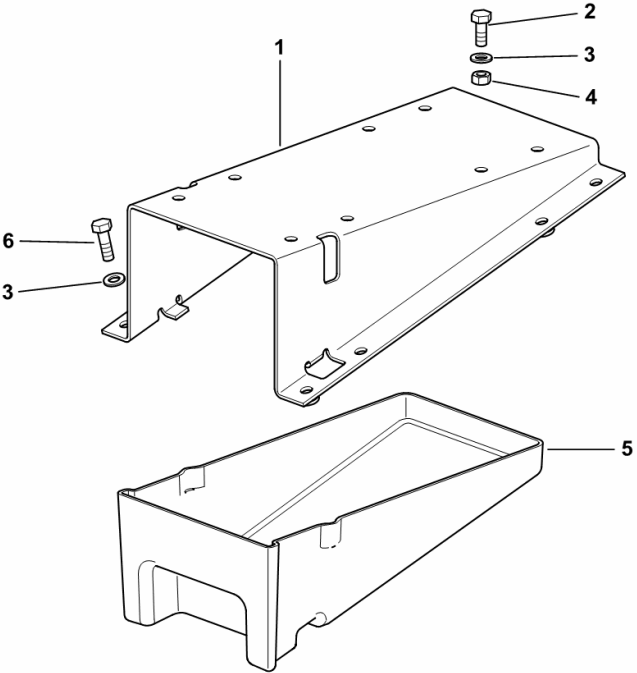
0\_009\_7547\_4\_20

**SEAT SUPPORT PLATE**

Fig.	Code	QTY	Name
------	------	-----	------

**Notes:**  
 [AGROPLUS 320 -> ZKDR3302W0TD05001]

1	0.009.6932.2	1	plate
2	2.0112.207.2	4	screw m 8 p 1.25 x 20
3	2.1310.004.2	8	flat washer 8.5
4	2.1011.105.2	4	nut m 8 p.1.25
5	0.007.7914.0/40	1	glove pocket
6	2.0112.209.2	4	screw m 8 p 1.25 x 25



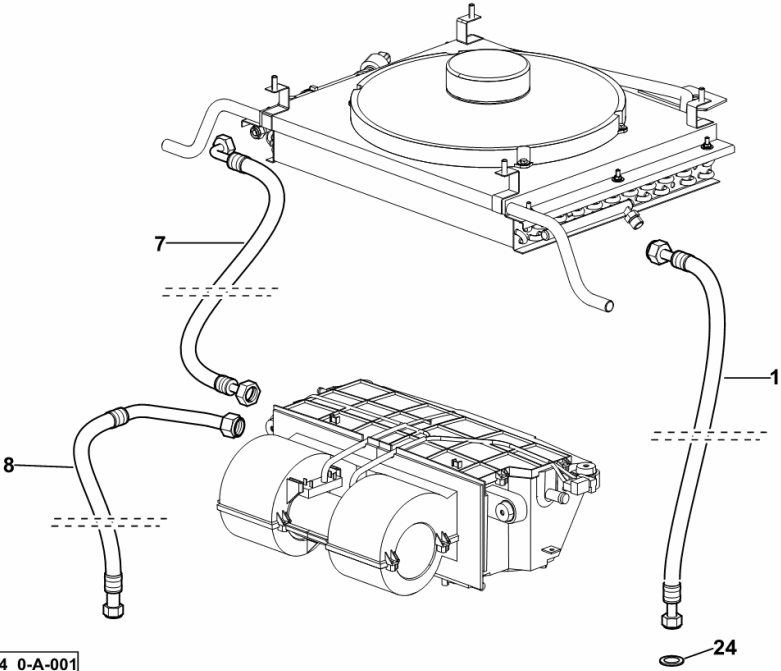
9\_64875\_00\_0-A-001

Section: G0 - BODYWORK - CAB  
**AIR CONDITIONING SYSTEM PIPES**

Fig.	Code	QTY	Name
------	------	-----	------

Notes:  
[AGROPLUS 320 -> ZKDR3302W0TD05001]

1	0.013.4127.3	1	tube mm 1735
7	0.011.1968.3/20	1	tube mm 420
8	0.007.7156.3/30	1	tube
24	2.1310.009.2	1	flat washer 14



9\_R3086\_24\_0-A-001

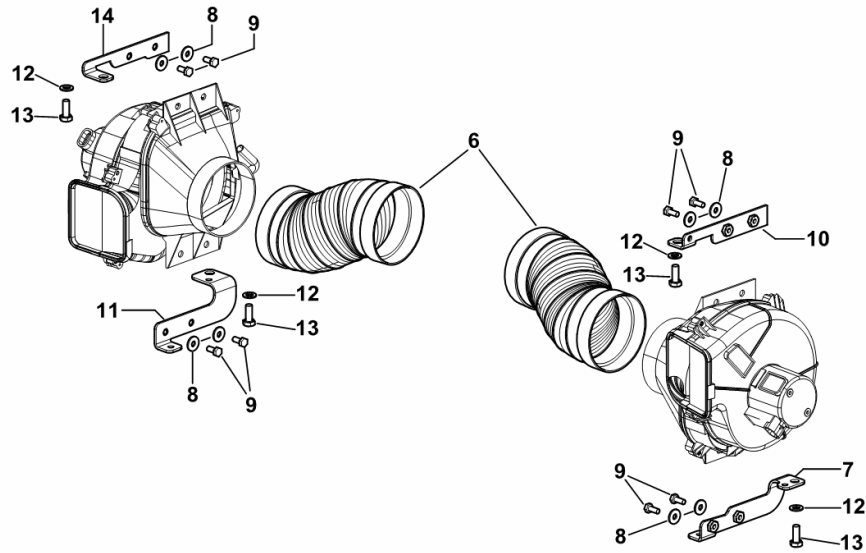
**VENTILATION - AIR CONDITIONING - HEATING**

Fig.	Code	QTY	Name
------	------	-----	------

**Notes:**

- FOR "HIGH VISIBILITY" CAB [AGROPLUS 320 -> ZKDR3302W0TD05001] -> 5172

6	0.011.4526.3	2	tube
7	0.015.1866.3	1	bracket sx/lh/li
8	2.1312.003.2	8	washer 6
9	2.0112.004.2	8	screw m 6 p.1 x 14
10	0.015.1865.3	1	bracket sx/lh/li
11	0.015.1867.3	1	bracket dx/rh/re
12	2.1310.004.2	23	flat washer 8.5
13	2.0112.207.2	17	screw m 8 p 1.25 x 20
14	0.015.1868.3	1	bracket dx/rh/re



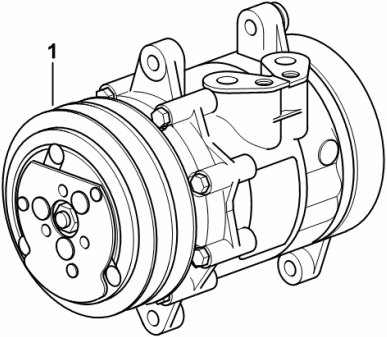
9\_J1571\_21\_0-C-002

**COMPRESSOR**

Fig.	Code	QTY	Name
------	------	-----	------

Notes:  
[AGROPLUS 320 -> ZKDR3302W0TD05001]

1	0.007.7197.4	1	gear compressor R 134a ☞ 0.007.7197.4
---	--------------	---	--




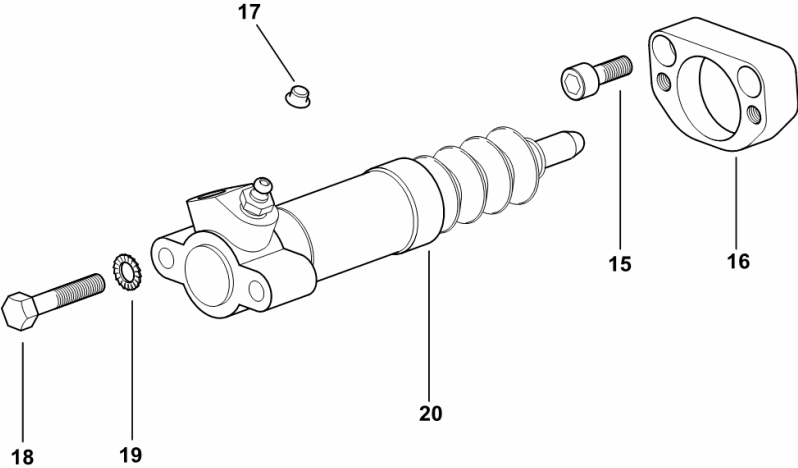
9\_70586\_23\_0-A-001

**CLUTCH CONTROL**

Fig.	Code	QTY	Name
------	------	-----	------

**Notes:**  
 [AGROPLUS 320 -> ZKDR3302W0TD05001]

15	2.0312.204.2	2	screw m 8 p.1.25 x 16
16	0.009.7023.0	1	flange
17	2.3199.039.0	1	plug 6.50 x 7.25
18	2.0112.215.2	2	screw m 8 p.1.25 x 40
19	2.1470.004.2	2	washer 8
20	0.007.1961.4/20	1	cylinder  0.007.1961.4/20



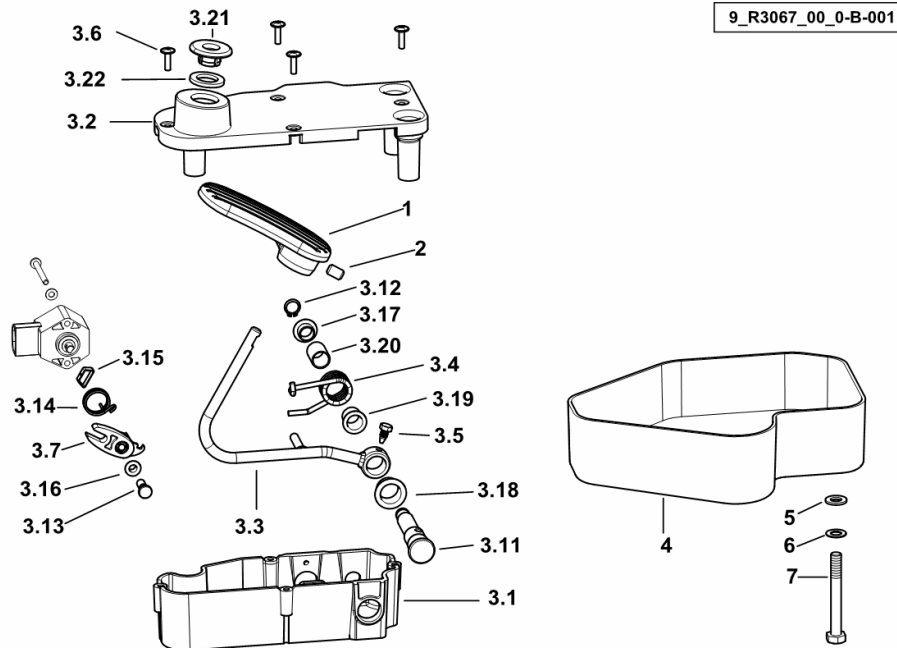
9\_R3065\_01\_0-A-001

**ELECTRONIC ACCELERATOR CONTROL**

Fig.	Code	QTY	Name
------	------	-----	------

**Notes:**

[AGROPLUS 320 -> ZKDR3302W0TD05001]



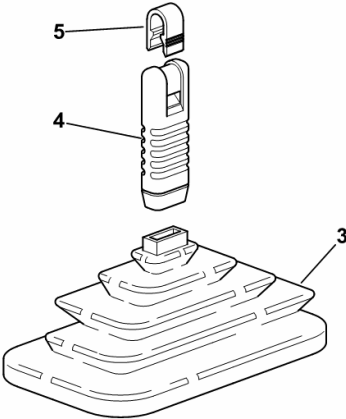
1	0.010.8696.2/20	1	accel. pedal
2	2.0512.204.7	1	grain m 8 p.1.25 x 12
3.1	0.010.8694.2/30	1	box
3.2	0.012.6572.0	1	cover
3.3	0.015.6768.2	1	lever
3.4	2.4099.115.2/30	1	spring
3.5	2.0399.272.2	1	screw m 5
3.6	2.0363.105.2	4	screw m 4
3.7	0.011.6578.0	1	lever
3.11	0.011.6028.0/10	1	pin
3.12	2.1410.001.1	1	circlip 10
3.13	2.1699.492.2/20	1	pin
3.14	2.4099.134.2	1	spring
3.15	0.011.3791.0	1	small spring
3.16	2.2841.010.0	1	bushing 6x8x6
3.17	2.2841.034.0	1	bushing 10x12x7
3.18	2.2841.071.0	1	bushing 16x18x12
3.19	2.2841.043.0	1	bushing 12 x 14 x 15
3.20	2.2840.042.0	1	bushing 12x14x20
3.21	0.011.9149.0	1	plug
3.22	0.011.8709.0	1	washer
4	0.015.2282.0	1	cover
5	2.1310.004.2	3	flat washer 8.5
6	2.1470.004.2	3	washer 8
7	2.0112.222.2	3	screw m 8 p.1.25x65

**P.T.O. SHAFT DRIVE**

Fig.	Code	QTY	Name
------	------	-----	------

Notes:  
[AGROPLUS 320 -> ZKDR3302W0TD05001]

3	0.010.0922.0	1	guard
4	0.009.0137.0	1	knob
5	0.008.8383.0	1	coupling - YELLOW COLOUR



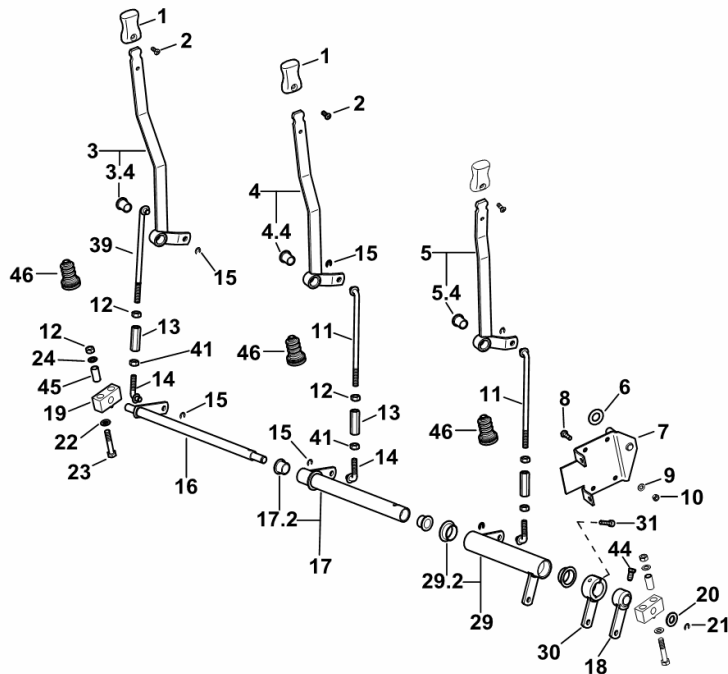
9\_64868\_02\_0-A-001

**CONTROLS FOR 6-WAY AUXILIARY SERVICES CONTROL VALVE**

Fig.	Code	QTY	Name
------	------	-----	------

**Notes:**

[AGROPLUS 320 -> ZKDR3302W0TD05001]



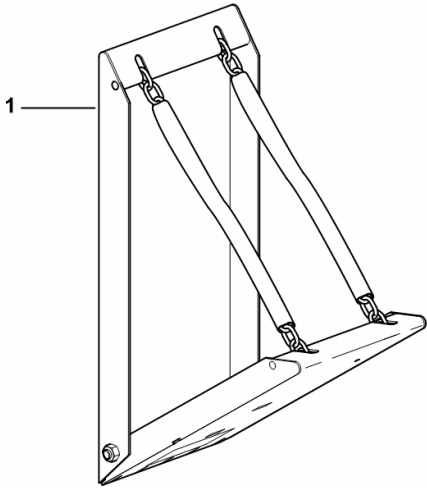
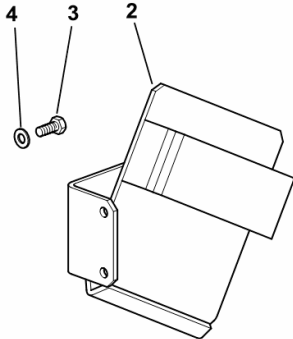
1	0.010.5315.0	3	knob
2	2.0322.406.6	3	screw m 6 p.1.0 x 16
3	0.010.5320.3	1	lever
3.4	2.1559.366.0	1	bushing 12 x 21 x 20
4	0.010.5321.3	1	lever
4.4	2.1559.366.0	1	bushing 12 x 21 x 20
5	0.010.5322.3	1	lever
5.4	2.1559.366.0	1	bushing 12 x 21 x 20
6	2.1481.061.1	1	washer 14
7	0.009.6614.2/20	1	plate
8	2.0112.006.2	4	screw m 6 p.1 x 18
9	2.1310.002.2	4	washer 6.6, d125
10	2.1011.103.2	4	nut m 6 p.1
11	0.007.6167.2/10	2	rod
12	2.1011.105.2	7	nut m 8 p.1.25
13	2.1099.139.2/10	3	nut m 8
14	0.009.7864.2	3	rod
15	2.1430.007.2	6	circlip 6, d128
16	0.009.7857.2/20	1	pin
17	0.009.7858.3/10	1	lever
17.2	2.1559.276.0/10	2	bushing 16x20x15
18	0.013.3767.2	1	lever
19	0.010.4816.0/10	2	small block
20	2.1310.007.2	1	flat washer 13.5
21	2.1430.011.7	1	circlip 10
22	2.1310.004.2	4	flat washer 8.5
23	2.0112.217.2	4	screw m 8 p.1.25 x 45
24	2.1470.004.2	4	washer 8
29	0.013.3790.3	1	lever
29.2	2.1559.241.0	2	bushing 25x28x12
30	0.013.3788.2	1	lever
31	2.0312.108.2	1	screw m 6 p.1 x 25
39	0.007.7755.2/10	1	rod
41	2.1019.127.2	3	nut m 8 p.1.25 x 6.8, sx/lh/li
44	2.0399.019.1	1	screw m 8 p.1 x 16
45	2.1549.391.2	4	spacer 8.4x12x25
46	0.009.8175.0/10	3	bellows

**HOLDING DEVICE - WHEEL CHOCK**

Fig.	Code	QTY	Name
------	------	-----	------

Notes:  
 [AGROPLUS 320 -> ZKDR3302W0TD05001]

1	04415868/10	1	stop
2	0.011.4313.2	1	support
3	2.0112.309.2	2	screw m 10 p.1.5 x 25
4	2.1310.006.2	2	flat washer 10.5



9\_78076\_10\_0-A-001

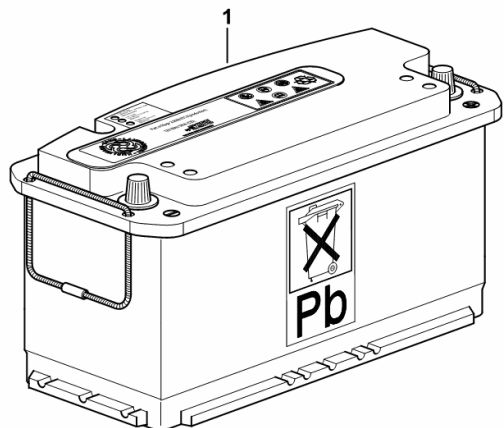
**BATTERY 12V 88Ah 580A**

Fig.	Code	QTY	Name
------	------	-----	------

**Notes:**

[AGROPLUS 320 -> ZKDR3302W0TD05001]

1	2.9559.031.0	1	battery 12V 88Ah 580A
---	--------------	---	-----------------------



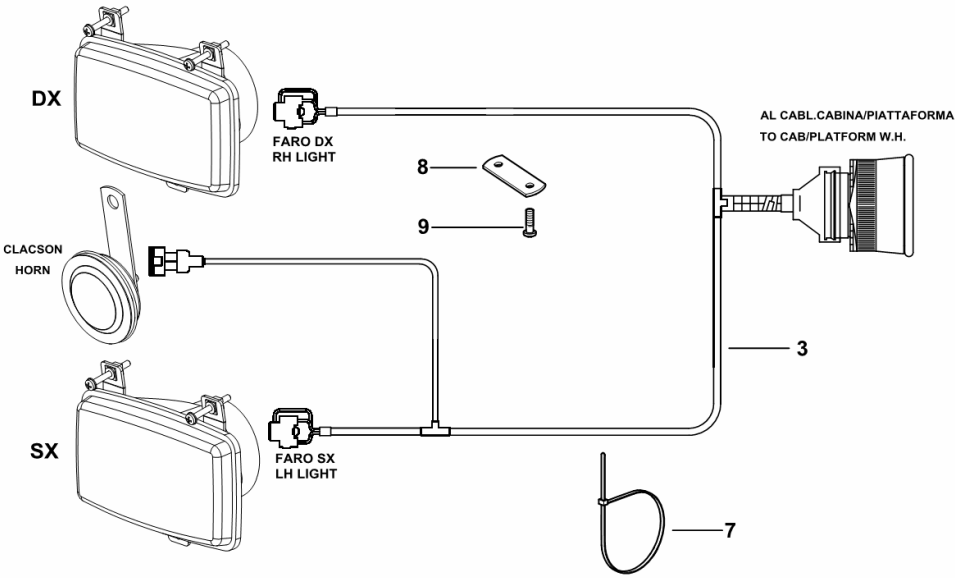
9\_C1284\_15\_0-A-001

Section: L0 - ELECTRIC AL SYSTEM  
**HEADLIGHTS / HORN WIRING**

Fig.	Code	QTY	Name
------	------	-----	------

**Notes:**  
- FOR LEFT-HAND DRIVE [AGROPLUS 320 -> ZKDR3302W0TD05001]

3	0.015.7309.4	1	electrical system
7	2.6852.203.0	5	clamp 292 x 4.8
8	0.015.3327.0	2	small plate
9	2.0361.408.2	4	screw m 4x14



9\_L6485\_02\_0-B-001

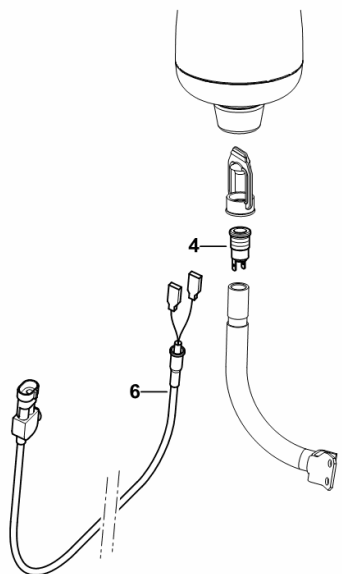
**ELECTRICAL EQUIPMENT ROTARY WARN. LAMP**

Fig.	Code	QTY	Name
------	------	-----	------

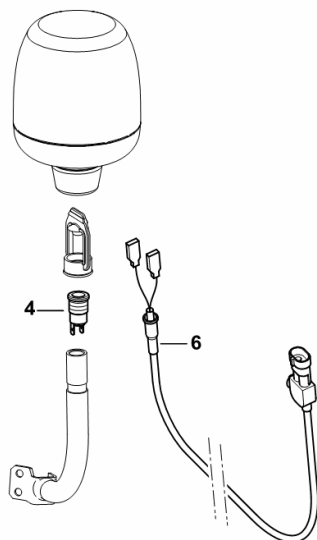
**Notes:**

- FOR MODELS WITH CAB [AGROPLUS 320 -> ZKDR3302W0TD05001]

4	2.6039.017.0	2	socket
6	0.013.6327.4	2	wire



9\_J1571\_32\_0-B-001

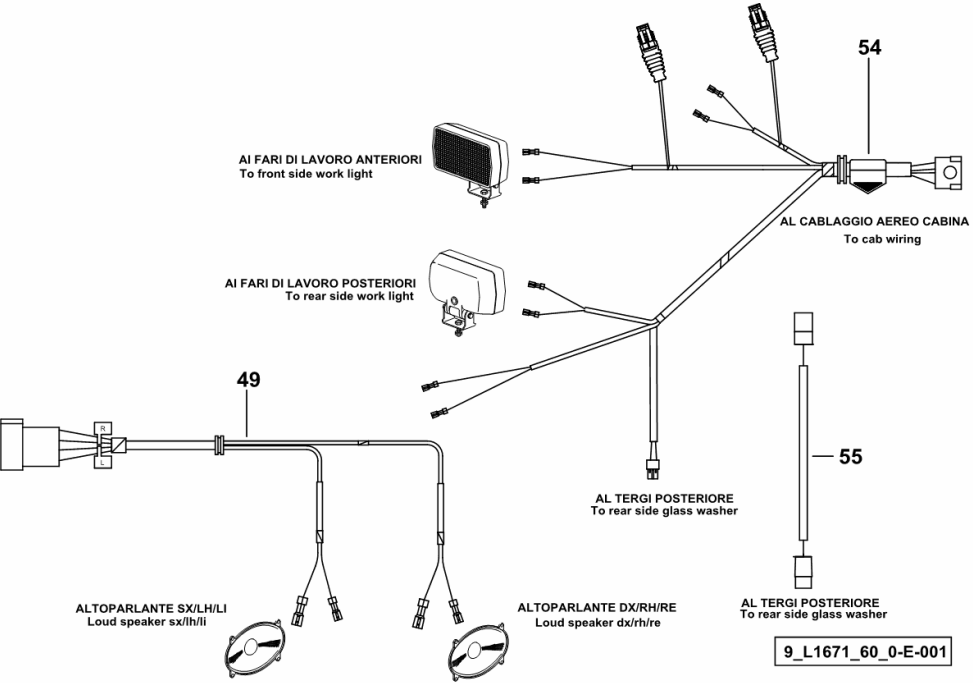


**CAB ELECTRICAL SYSTEM**

Fig.	Code	QTY	Name
------	------	-----	------

**Notes:**  
 - FOR TRACTORS WITH AIR HEATING [AGROPLUS 320 -> ZKDR3302W0TD05001]

49	0.011.0729.4/10	1	wire
54	0.016.0866.4/10	1	electrical system
55	0.015.6123.4	1	wire



**ELECTRICAL SYSTEM FOR REAR ELECTRONIC LIFT**

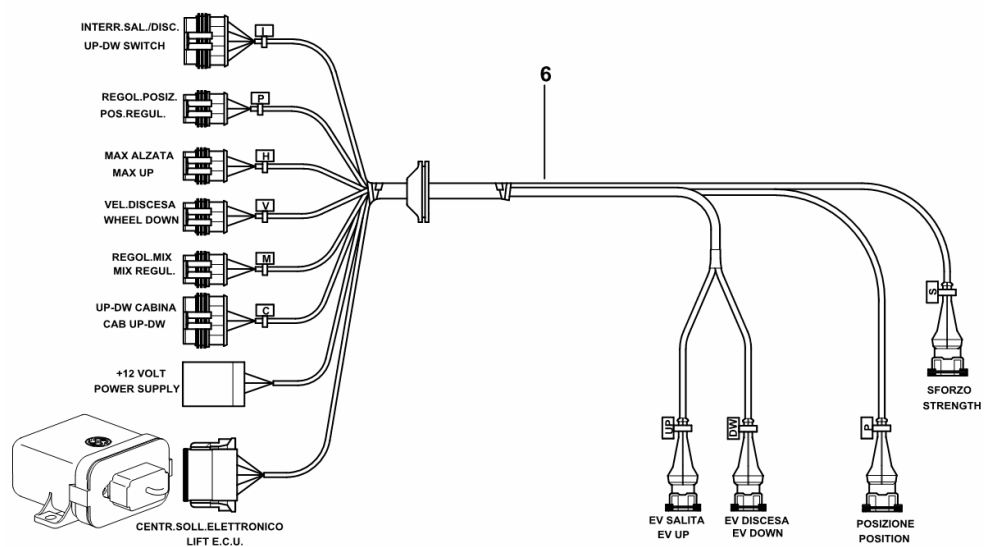
Fig.	Code	QTY	Name
------	------	-----	------

**Notes:**

[AGROPLUS 320 -> ZKDR3302W0TD05001] 5198 <-

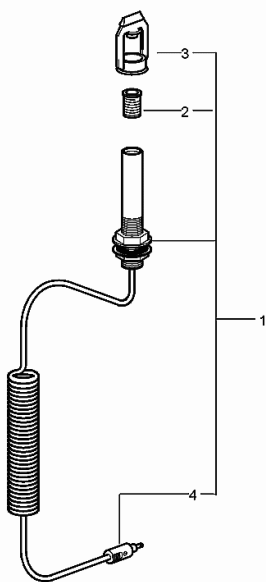
6	0.016.6282.4	1	electrical system
---	--------------	---	-------------------

9\_R3059\_51\_0-C-001



**FLASHING LIGHT SUPPORT**

Fig.	Code	QTY	Name
1	0.011.7840.4	1	wire
2	0.010.3304.0	1	coupling
3	0.009.6650.0	1	cap
4	0.010.3304.2	1	piston pin



0.011.7840.4

**ELECTRICAL SYSTEM FOR REAR ELECTRONIC LIFT**

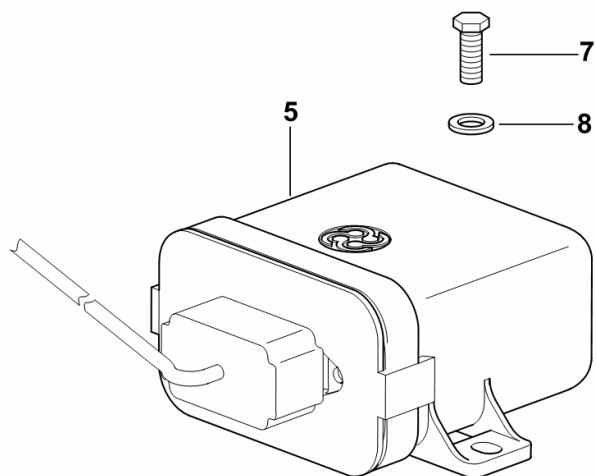
Fig.	Code	QTY	Name
------	------	-----	------

**Notes:**

[AGROPLUS 320 -> ZKDR3302W0TD05001]

5	0.011.2992.4/50	1	central device ( 5198 <- )
5	2.8519.107.0	1	central device ( -> 5257 )
7	2.0112.003.2	2	screw m 6 p.1 x 12
8	2.1310.002.2	2	washer 6.6, d125

9\_R3059\_51\_0-A-001



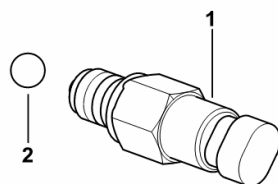
**START ENABLE SWITCH**

Fig.	Code	QTY	Name
------	------	-----	------

**Notes:**

[AGROPLUS 320 -> ZKDR3302W0TD05001]

1	2.7659.343.0	1	switch
2	2.2999.156.0	1	ball Ø 10



9\_C1264\_10\_0-A-001

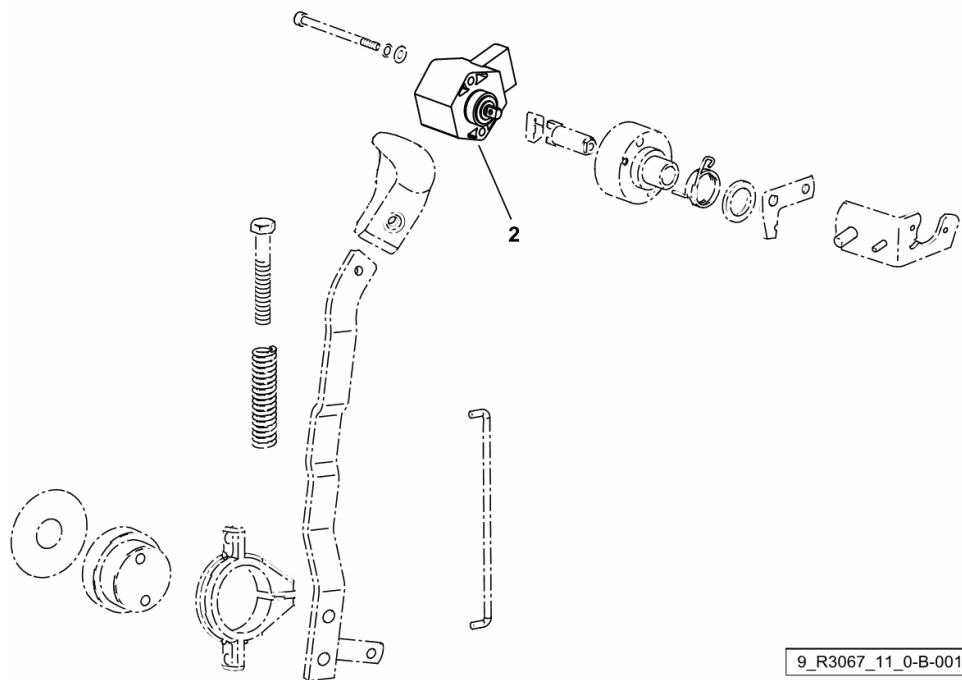
**ELECTRONIC ACCELERATOR CONTROL SENSOR**

Fig.	Code	QTY	Name
------	------	-----	------

**Notes:**

[AGROPLUS 320 -> ZKDR3302W0TD05001]

2	2.7099.740.0/10	1	sensor
---	-----------------	---	--------



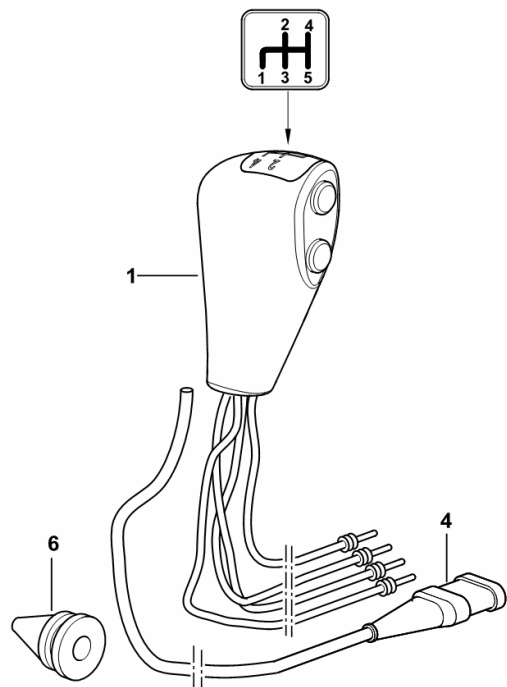
**GEAR SHIFTING**

Fig.	Code	QTY	Name
------	------	-----	------

**Notes:**

- FOR TYPES WITH H-M-L- (POWERSHIFT) [AGROPLUS 320 -> ZKDR3302W0TD05001]

1	0.010.5330.4/10	1	knob
4	0.010.5341.4	1	plug
6	0.010.7058.0	1	rubber plug 32/12/SP8



9\_H5664\_03\_0-B-001

CLICK HERE TO **DOWNLOAD** THE COMPLETE MANUAL

- Thank you very much for reading the preview of the manual.
- You can download the complete manual from: [www.heydownloads.com](http://www.heydownloads.com) by clicking the link below



- Please note: If there is no response to CLICKING the link, please download this PDF first and then click on it.

CLICK HERE TO **DOWNLOAD** THE COMPLETE MANUAL

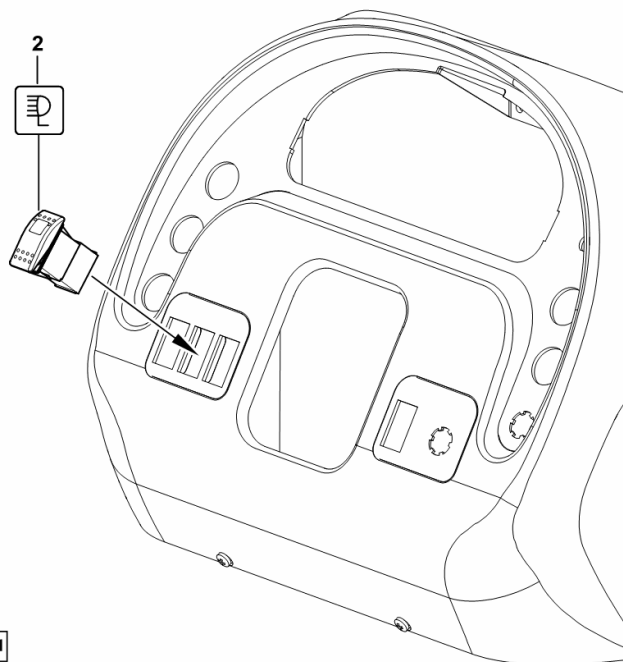
**LOW FRONT WORKLIGHTS SWITCH**

Fig.	Code	QTY	Name
------	------	-----	------

**Notes:**

- FOR "HIGH VISIBILITY" CAB [AGROPLUS 320 -> ZKDR3302W0TD05001]

2	2.7659.150.0	1	switch
---	--------------	---	--------



9\_H1384\_01\_0-C-001

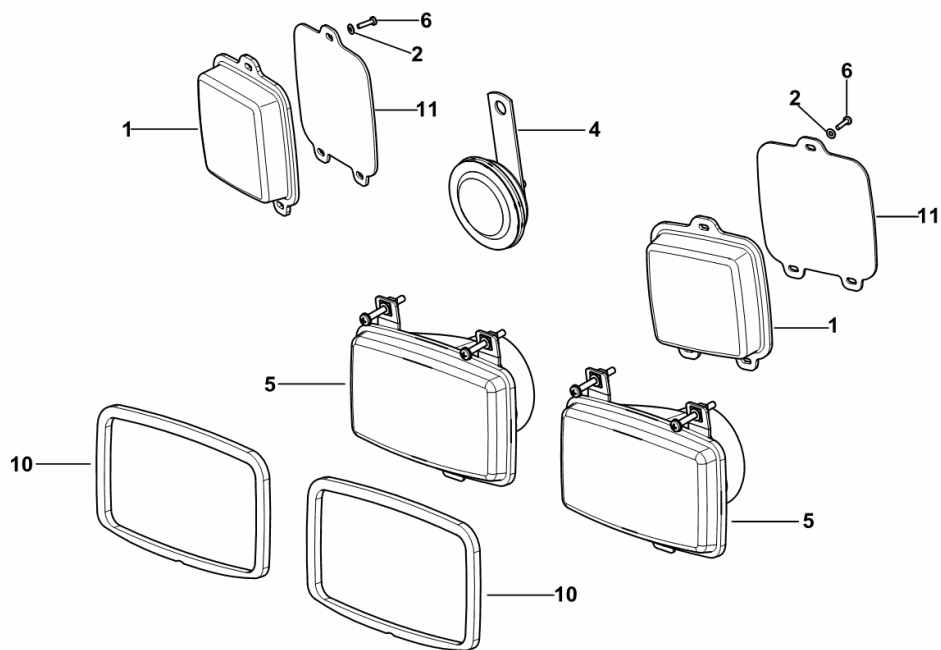
**HEADLIGHTS \ HORN**

Fig.	Code	QTY	Name
------	------	-----	------

**Notes:**

- FOR RIGHT-HAND DRIVE [AGROPLUS 320 -> ZKDR3302W0TD05001]

1	0.015.7056.0	2	cover
2	2.1310.029.2	6	washer
4	2.8419.007.0	1	horn
5	2.8039.240.0	2	headlight
			☞ 2.8039.240.0
6	2.0332.104.3	6	screw m 3x12
10	0.013.0097.0	2	gasket
11	0.016.8687.0	2	cover



9\_L6485\_01\_0-A-002

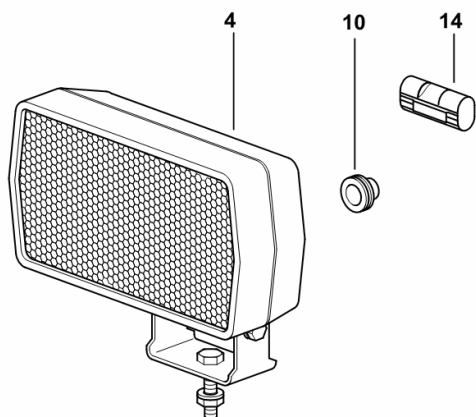
**WORKING SPOTLIGHT REAR**

Fig.	Code	QTY	Name
------	------	-----	------

**Notes:**

- FOR TYPES WITH FIXED SAFETY ROLL BAR [AGROPLUS 320 -> ZKDR3302W0TD05001]

4	2.8029.730.0	2	headlight ☞ 2.8029.730.0
10	2.6569.004.0	1	grommet 18x5
14	2.6039.010.0	2	guard



9\_H1284\_06\_0-A-001

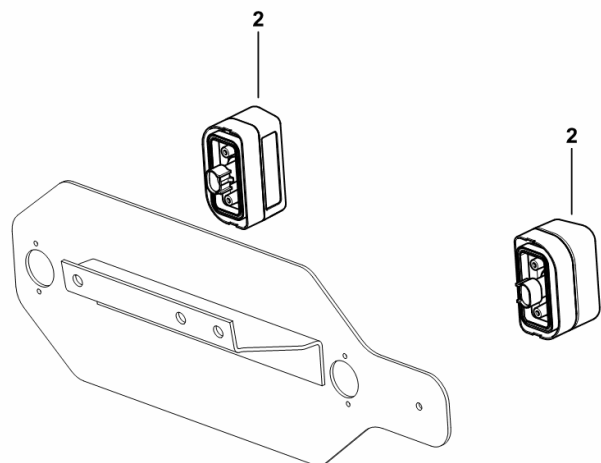
**LICENCE PLATE LIGHT**

Fig.	Code	QTY	Name
------	------	-----	------

**Notes:**

[AGROPLUS 320 -> ZKDR3302W0TD05001]

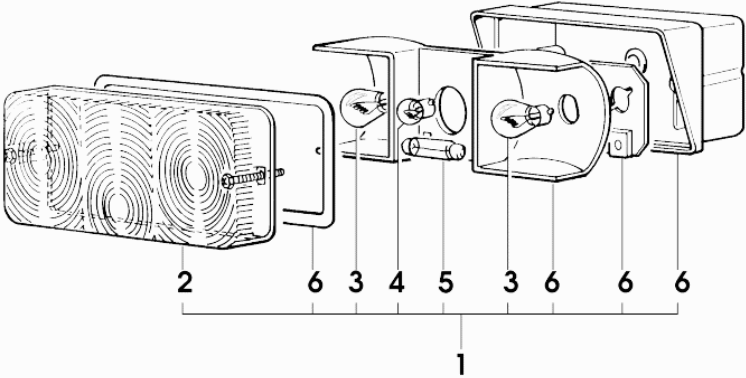
2	2.8059.526.0	2	side lamp ☞ 2.8059.526.0
---	--------------	---	-----------------------------



9\_H1576\_60\_0-A-001

HEADLAMP COMPONENTS

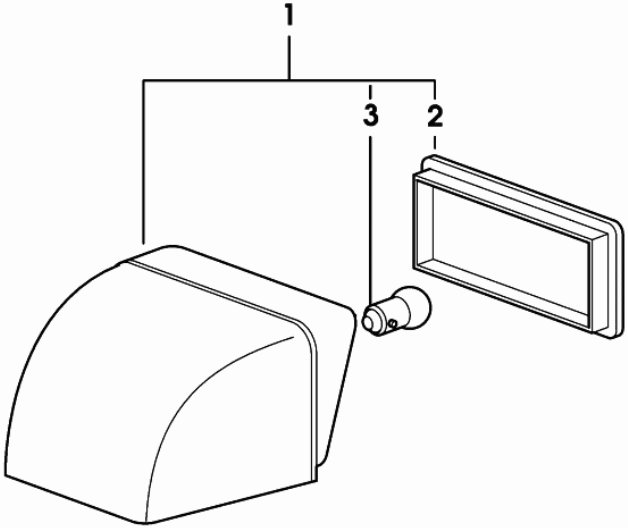
Fig.	Code	QTY	Name
1	2.8019.190.0	1	side lamp dx/rh/re
2	2.8019.190.2	1	light body dx/rh/re
3	2.8313.001.0	2	lamp 12V 21W
4	2.8313.005.0	1	lamp 12 V, 5 W
5	2.8313.007.0	1	lamp 12 V, 5 W
6	0.000.0000.1	0	not serviceable



2\_8019\_190\_0

**HEADLAMP COMPONENTS**

Fig.	Code	QTY	Name
1	2.8059.440.0/10	1	lamp
2	0.010.3486.2	1	guard
3	0.010.3487.0	1	lamp 12V - 21W



2\_8059\_440\_0\_10

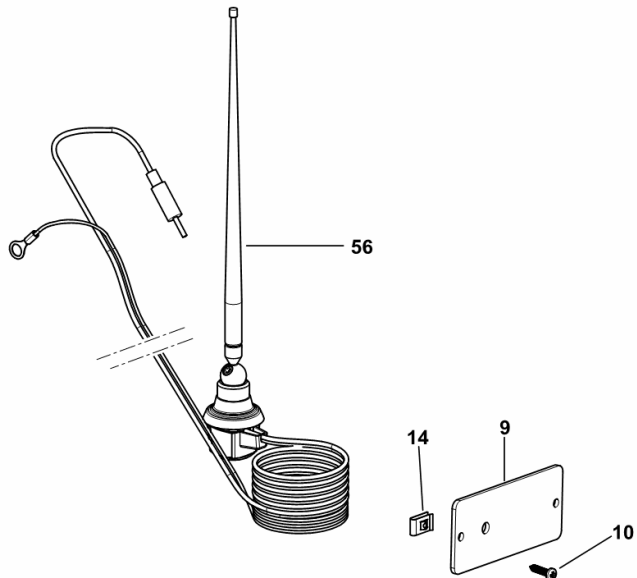
**RADIO ANTENNA**

Fig.	Code	QTY	Name
------	------	-----	------

**Notes:**

- FOR TRACTORS WITH AIR HEATING [AGROPLUS 320 -> ZKDR3302W0TD05001] 5185 <-

9	0.016.0429.0/10	1	support
10	2.0350.456.3	2	screw m 4.2 x 19 -AB-
14	2.6999.061.0	2	small spring 4.2
56	0.011.5630.3/20	1	radio aereo



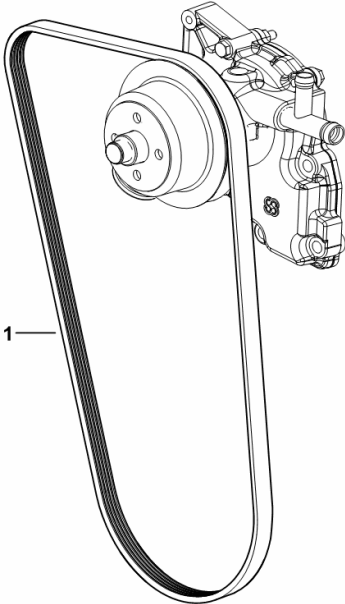
9\_L1671\_60\_0-I-001

**COOLANT PUMP AND ALTERNATOR DRIVEBELT**

Fig.	Code	QTY	Name
------	------	-----	------

Notes:  
[AGROPLUS 320 -> ZKDR3302W0TD05001] -> 5098

1	2.4119.188.0	1	belt PV-K5 17.4x1275 mm
---	--------------	---	-------------------------



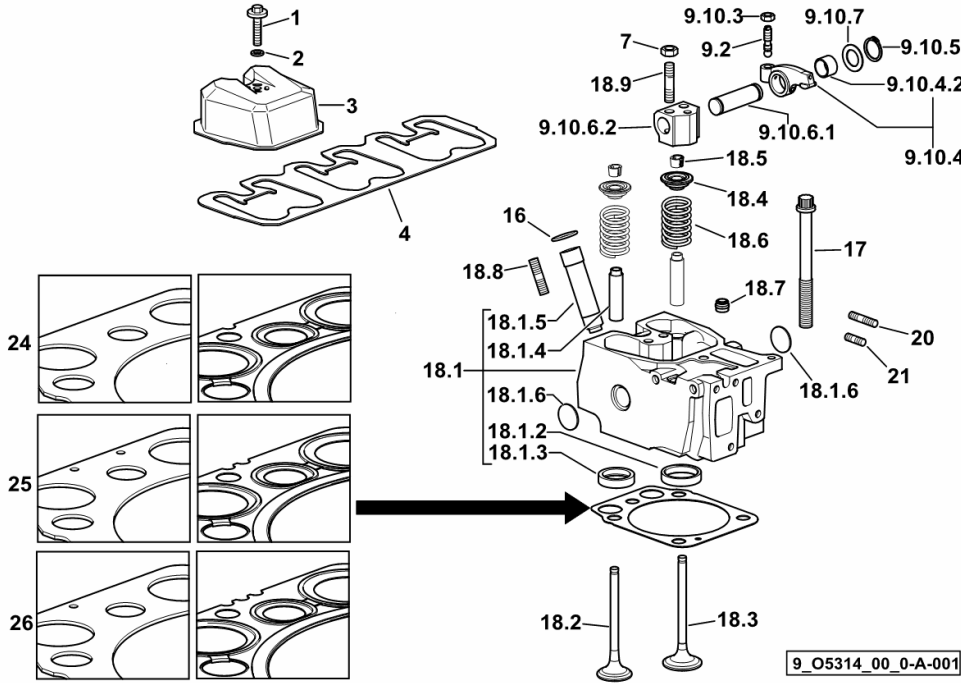
9\_N1817\_09\_0-A-001

Section: B0 - ENGINE  
**CYLINDER HEAD**

Fig.	Code	QTY	Name
------	------	-----	------

Notes:  
 [AGROPLUS 320 -> ZKDR3302W0TD05001]

1	2.0399.288.2/10	3	screw m 8x36x46
2	2.1539.151.0	3	'o' ring 9.19 x 2.62
3	0.007.1139.0/10	3	small cap
4	0.069.1450.0/30	1	gasket
7	2.1011.421.2	6	nut m 10 p.1.25
9.2	0.021.1434.0	2	screw m 8 p.1 x 8
9.10.3	2.1011.405.2	2	nut m 8 p.1
9.10.4	0.066.1432.3	2	rocker
9.10.4.2	2.1559.021.0/40	1	bushing 19x22x14
9.10.5	2.1410.055.7	2	circlip 19
9.10.6.1	0.066.1431.0	1	pin
9.10.6.2	0.066.1430.0/10	1	support
9.10.7	2.1599.432.0	2	snoulder 19.5x31x1.5
16	2.1532.507.0	3	'o' ring 17x3.53
17	0.012.2673.0	12	screw m 14 p.2x141
18.1	0.013.0412.3/60	1	engine head
18.1.2	0.078.1426.0	1	valve seat mm 45.118
18.1.3	0.066.1427.0	1	valve seat mm 40.653
18.1.4	0.007.1779.0/20	2	valve guide
18.1.5	0.012.9984.0/20	1	sleeve
18.1.6	2.3170.012.2	2	expansion plug Ø 30
18.2	0.007.1147.0/10	1	exhaust valve mm 39.1 / Ø mm 9
18.3	0.007.1146.0/10	1	inlet valve mm 43.63 / Ø mm 9
18.4	0.066.1425.0	2	cup
18.5	0.074.1423.0	4	conical valve cotter
18.6	2.4019.287.0	2	spring 35.5x53.6x3.9
18.7	2.1519.117.0	2	'o' ring
18.8	2.0432.161.7	1	stud bolt m 10 p.1.5 / p.1.25 x 40
18.9	2.0432.163.7	2	stud bolt m 10 p.1.5 / p.1.25 x 45
20	2.0432.011.7	3	stud bolt m 8 p.1.25 / p.1 x 40
21	2.0432.005.7	3	stud bolt m 8 p.1.25 / p.1 x 25
24	0.015.9190.0	1	gasket mm 1.2
25	0.015.9191.0	1	gasket mm 1.4
26	0.015.9192.0	1	gasket mm 1.6



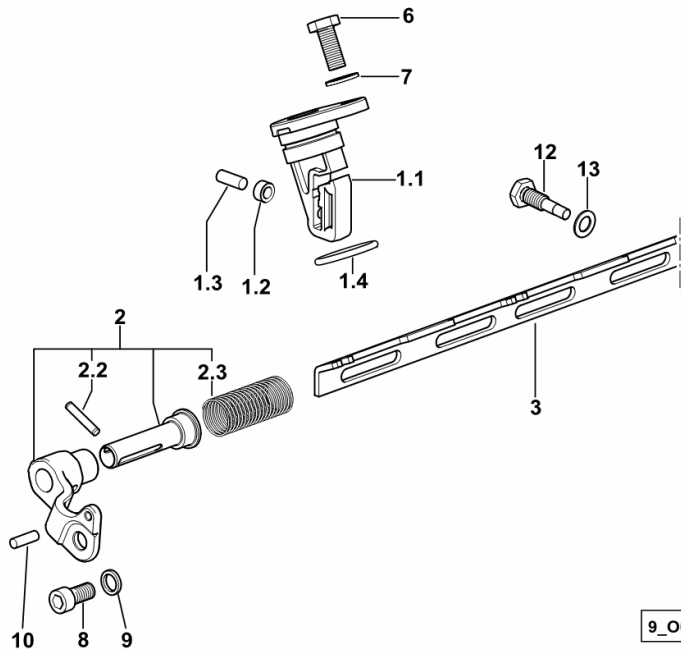
**INJECTION PUMP DRIVE**

Fig.	Code	QTY	Name
------	------	-----	------

**Notes:**

[AGROPLUS 320 -> ZKDR3302W0TD05001]

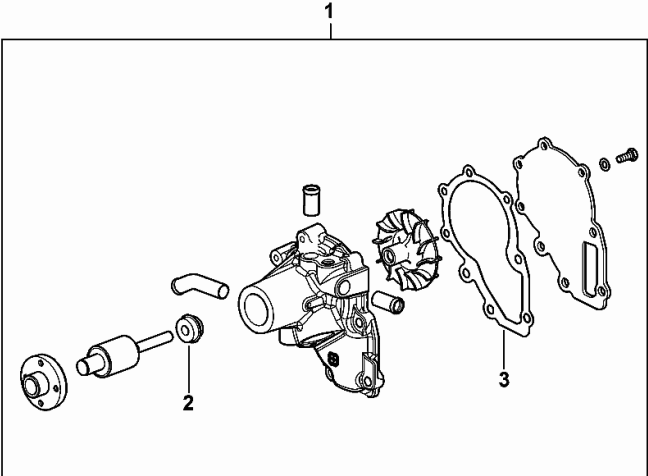
1.1	0.012.5618.0/20	1	support
1.2	0.065.1660.0	1	roller
1.3	2.1651.507.0	1	pin 6 x 16
1.4	2.1530.072.0	1	'o' ring 26.70x1.78
2	0.013.4057.4	1	bracket
2.2	2.1631.310.0	1	pin 4x22
2.3	2.4019.761.1	1	spring
3	0.014.9284.3	1	rod
6	2.0112.207.2	2	screw m 8 p 1.25 x 20
7	2.1310.004.2	2	flat washer 8.5
8	2.0312.204.2	1	screw m 8 p.1.25 x 16
9	2.1475.202.2	1	spring washer 8.4 x 16
10	2.1631.305.0	1	roll pin 4 x 12
12	0.014.9232.0	1	screw
13	2.1560.004.0	1	gasket 8.2 x 14



9\_00816\_00\_0-B-001

Section: B0 - ENGINE  
**COOLING WATER PUMP**

Fig.	Code	QTY	Name
1	0.016.0460.4	1	water pump
2	0.900.0941.9	1	'o' ring
3	0.900.0942.0	1	gasket



016\_0460\_4

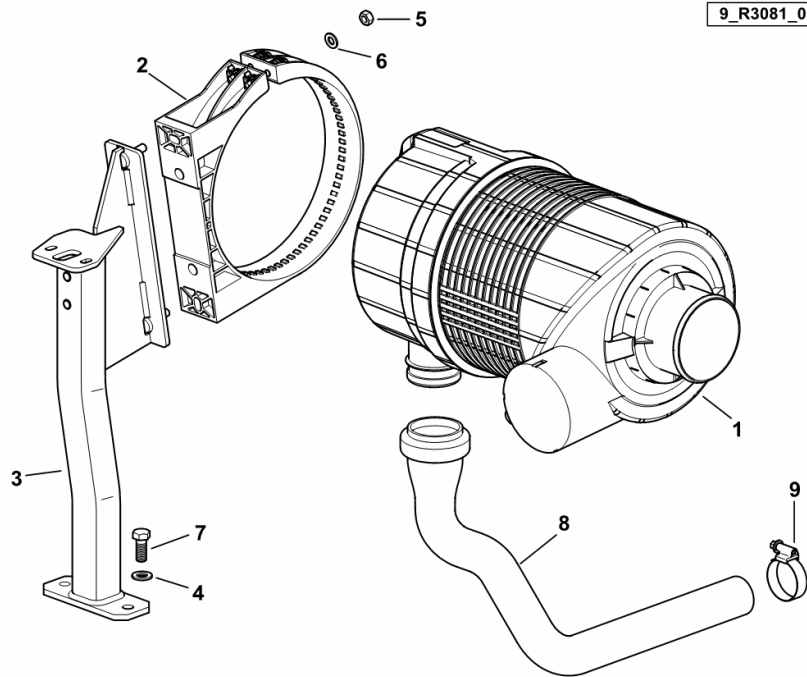
**8" AIR CLEANER WITH DUST EXHAUSTER**

Fig.	Code	QTY	Name
------	------	-----	------

**Notes:**

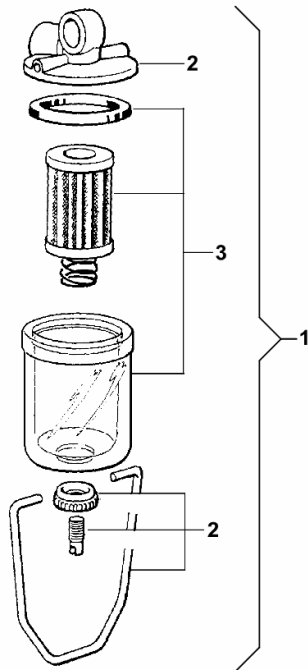
[AGROPLUS 320 -> ZKDR3302W0TD05001]

1	2.4249.718.0	1	air filter 8 " ☞ 2.4249.718.0
2	0.014.0679.4	1	support
3	0.015.8329.3/40	1	bracket
4	2.1310.006.2	2	flat washer 10.5
5	2.1011.105.2	2	nut m 8 p.1.25
6	2.1310.004.2	2	flat washer 8.5
7	2.0112.309.2	2	screw m 10 p.1.5 x 25
8	0.015.8327.0/10	1	tube
9	2.6851.004.0	1	clamp Ø 32/50



**PRE-FILTER - COMPONENTS**

Fig.	Code	QTY	Name
1	2.4319.220.0	1	precleaner
2	0.000.0000.1	0	not serviceable
3	2.4319.220.6	1	fuel filter element



2\_4319\_220\_0

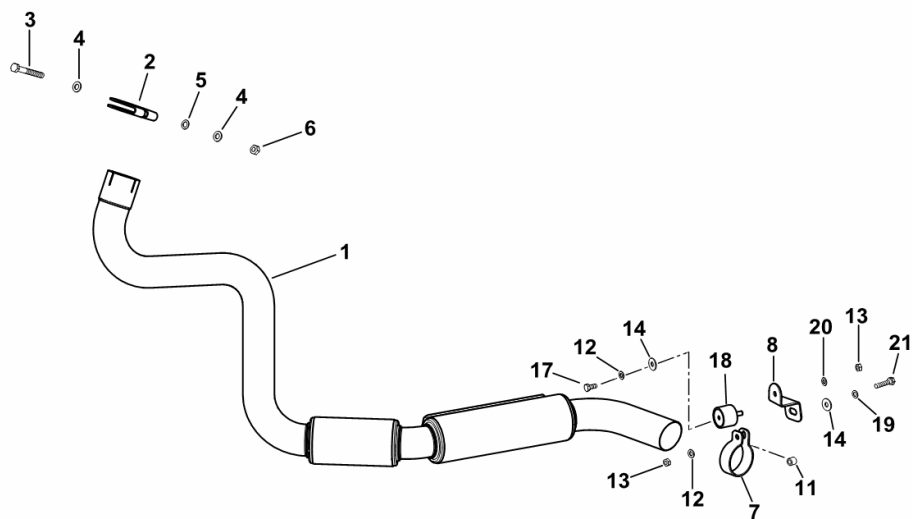
**EXHAUST SILENCER PIPE**

Fig.	Code	QTY	Name
------	------	-----	------

**Notes:**

SIDE [AGROPLUS 320 -> ZKDR3302W0TD05001]

1	0.016.6656.3/20	1	exhaust
2	0.016.3780.0	1	clamp
3	2.0112.325.2	1	screw m 10 p.1.5 x 80
4	2.1310.006.2	6	flat washer 10.5
5	2.1470.006.2	1	lock washer 10
6	2.1011.106.2	1	nut m 10 p.1.5
7	0.016.7959.0/10	1	bracket
8	0.017.2617.0	1	bracket
11	2.1579.450.2	1	spacer 8.5 x 14 x 12
12	2.1310.004.2	3	flat washer 8.5
13	2.1011.105.2	2	nut m 8 p.1.25
14	2.1312.004.2	1	washer 8.4
17	2.0112.206.2	1	screw m 8 p.1.25 x 18
18	0.010.1054.2/10	1	support
19	2.1470.004.2	1	washer 8
20	2.1475.002.2	1	conical washer 8
21	2.0112.215.2	1	screw m 8 p.1.25 x 40



9\_R3056\_01\_0-A-001

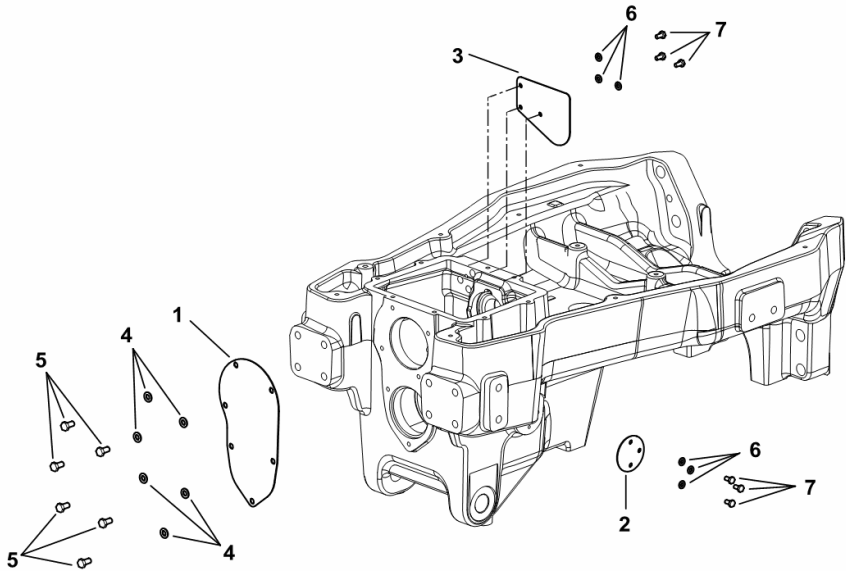
**BLANKING PLUGS FOR TYPES WITHOUT FRONT PTO BUT WITH PROVISION FOR FUTURE INSTALLATION**

Fig.	Code	QTY	Name
------	------	-----	------

Notes:  
 [AGROPLUS 320 -> ZKDR3302W0TD05001]

1	0.016.8785.0	1	cover
2	0.016.8786.0	1	small cover
3	0.016.8787.0	1	cover
4	2.1310.004.2	6	flat washer 8.5
5	2.0112.205.2	6	screw m 8 p.1.25 x 16
6	2.1310.002.2	6	washer 6.6, d125
7	2.0112.003.2	6	screw m 6 p.1 x 12

9\_R3052\_02\_0-A-001

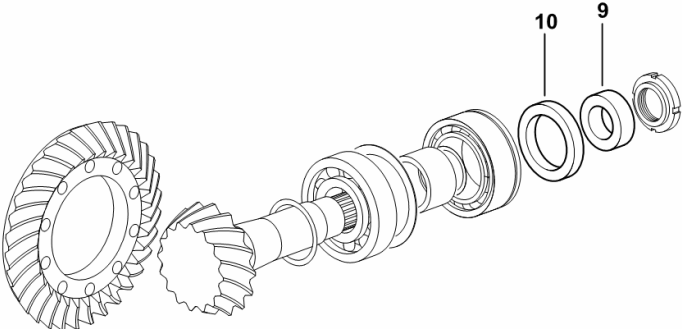


**4WD - FRONT DIFFERENTIAL LOCK- STANDARD SEALING**

Fig.	Code	QTY	Name
------	------	-----	------

Notes:  
[AGROPLUS 320 -> ZKDR3302W0TD05001]

9	0.255.4650.0	1	spacer 35 x 58 x 19
10	2.1529.007.0/10	1	'o' ring 58 x 80 x 13



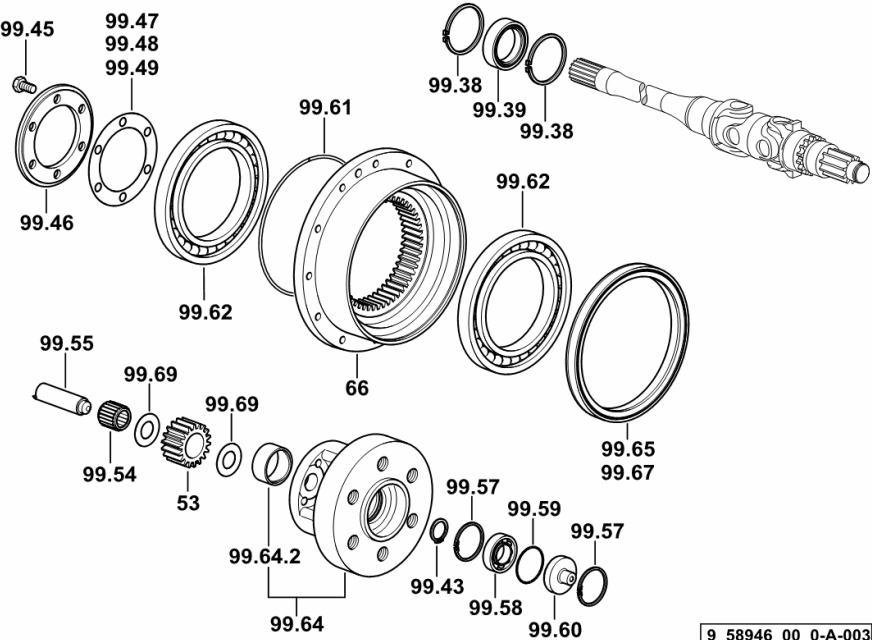
9\_58946\_06\_0-B-001

Section: F0 - FRONT AXLE  
**4WD - FRONT REDUCTION GEARBOX**

Fig.	Code	QTY	Name
------	------	-----	------

Notes:  
 [AGROPLUS 320 -> ZKDR3302W0TD05001] -> 5048

53	0.146.4644.0	6	planet gear Z = 18
66	0.008.5345.0	2	crown wheel
99.38	2.1411.025.1	4	circlip 62
99.39	2.2999.415.0	2	bearing 43.8 x 62 x 17
99.43	2.1419.029.7	2	circlip 25
99.45	2.0139.042.2	12	screw m 10 p.1.5 x 20
99.46	0.008.5401.0/20	2	spider
99.47	0.467.4653.0/10	4	shim 82x119x0.2
99.48	0.467.4654.0/10	4	ring 82x119x0.5
99.49	0.467.4655.0/10	4	ring 82x119x0.15
99.54	2.2999.030.0	6	roller cage 22 x 32 x 30
99.55	0.146.4643.0	6	pin
99.57	2.1411.019.1	4	circlip 47
99.58	2.2030.006.0	2	ball bearing 25 x 47 x 12
99.59	2.1530.118.0	2	'o' ring 46.04x3.53
99.60	0.270.4652.0	2	small cover
99.61	2.1530.276.0	2	'o' ring 177.4x3.53
99.62	2.2020.022.0	4	ball bearing 120x180x19
99.64	0.016.9260.3	2	spider
99.64.2	2.1559.309.0	1	bushing
99.65	2.1529.177.0/10	1	'o' ring 170x200x15
99.67	2.1529.177.0/10	1	'o' ring 170x200x15
99.69	2.1589.552.0	12	shoulder 22x42x1

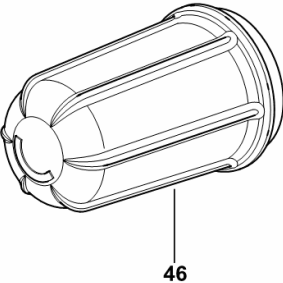


**P.T.O. GUARD**

Fig.	Code	QTY	Name
------	------	-----	------

Notes:  
[AGROPLUS 320 -> ZKDR3302W0TD05001]

46	0.154.3655.0/10	1	guard
----	-----------------	---	-------



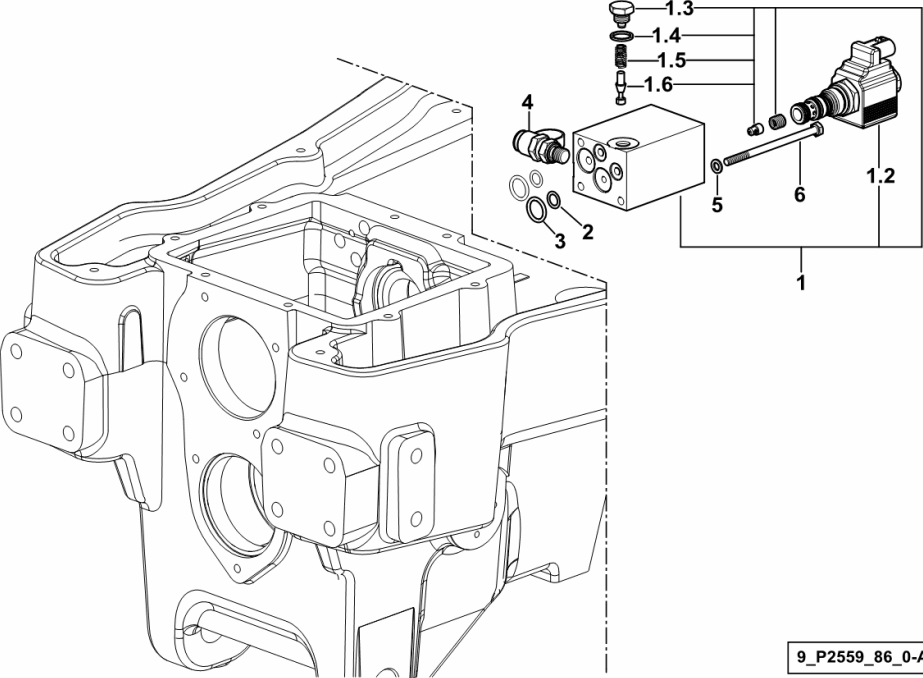
9\_P2559\_85\_0-D-001

Section: M0 - FRONT PTO  
**VALVE**

Fig.	Code	QTY	Name
------	------	-----	------

Notes:  
[AGROPLUS 320 -> ZKDR3302W0TD05001]

1	0.016.3343.4	1	distributor
1.2	2.3729.697.0/20	1	electro valve 13V - 20W ☞ 2.3729.697.0/20
1.3	2.3199.283.2	1	plug
1.4	2.1561.006.0	1	'o' ring 12
1.5	2.4019.639.1	1	spring
1.6	0.009.9898.0	1	small piston
2	2.1531.025.0	2	'o' ring 10.82x1.78
3	2.1532.038.0	2	'o' ring
4	2.3729.696.0	1	socket
5	2.1470.002.2	3	washer 6, d128
6	2.0112.029.2	3	screw m 6 x 100



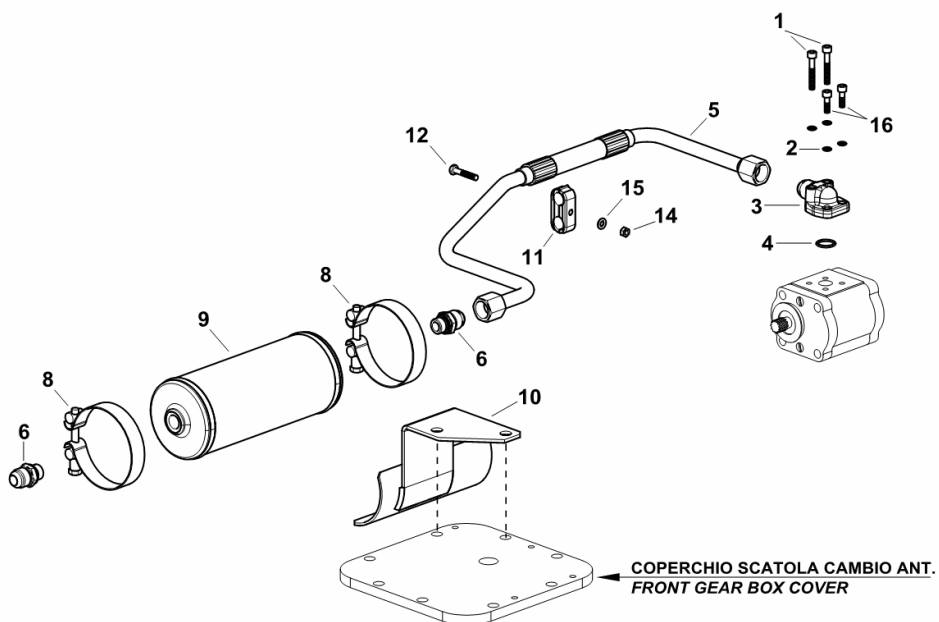
**POWER STEERING OIL FEED HYDRAULIC SYSTEM**

Fig.	Code	QTY	Name
------	------	-----	------

**Notes:**

[AGROPLUS 320 -> ZKDR3302W0TD05001]

1	2.0312.114.2	2	screw m 6 p.1x40
2	2.1480.012.2	4	washer 6, d128
3	0.008.9626.0	1	pipe fitting
4	2.1531.052.0	1	'o' ring 20.29 x 2.62
5	0.016.7793.3	1	tube
6	2.3249.141.2	2	pipe fitting 7/8 JIC-M18
8	0.164.8157.3/20	2	hose clip Ø 97
9	0.010.8872.0/20	1	filter
10	0.016.7792.2	1	bracket
11	2.3321.020.0	1	collar Ø 16
12	2.0112.013.2	1	screw m 6 p.1 x 35
14	2.1310.002.2	1	washer 6.6, d125
15	2.1011.103.2	1	nut m 6 p.1
16	2.0312.106.2	2	screw m 6 p.1 x 20



9\_R4282\_06\_0-A-001

**LUBRICATION WITH FRONT PTO**

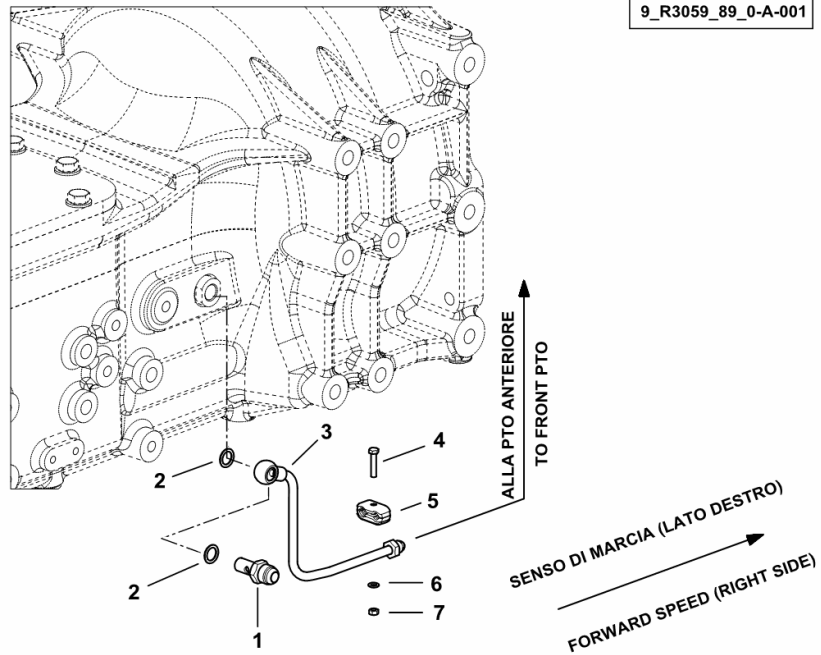
Fig.	Code	QTY	Name
------	------	-----	------

**Notes:**

- FOR TYPES WITH H-M-L- (POWERSHIFT) [AGROPLUS 320 -> ZKDR3302W0TD05001]

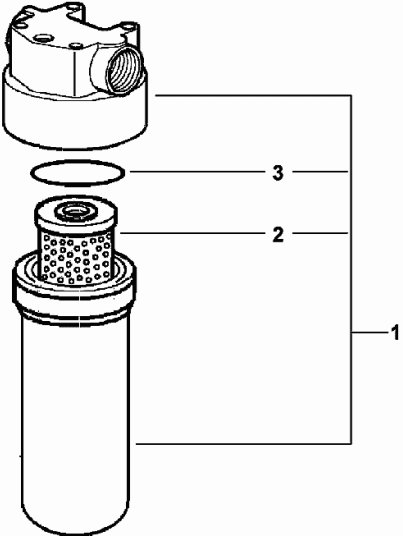
1	2.3249.045.2	1	pipe fitting
2	2.1560.012.0	2	gasket 16.2 x 22 x 1.5
3	0.016.7848.3	1	tube
4	2.0112.011.2	1	screw m 6 p.1x30
5	2.3321.005.0	1	clamp 8-10
6	2.1310.002.2	1	washer 6.6, d125
7	2.1011.103.2	1	nut m 6 p.1

9\_R3059\_89\_0-A-001



**DETAILS OF OIL FILTER**

Fig.	Code	QTY	Name
1	2.4419.490.0/30	1	filter 8 " 40 bar - PALL
2	2.4419.491.0	1	hydr.oil filter elem - PALL
3	0.010.2427.0	1	'o' ring



2.4419.490.0/30

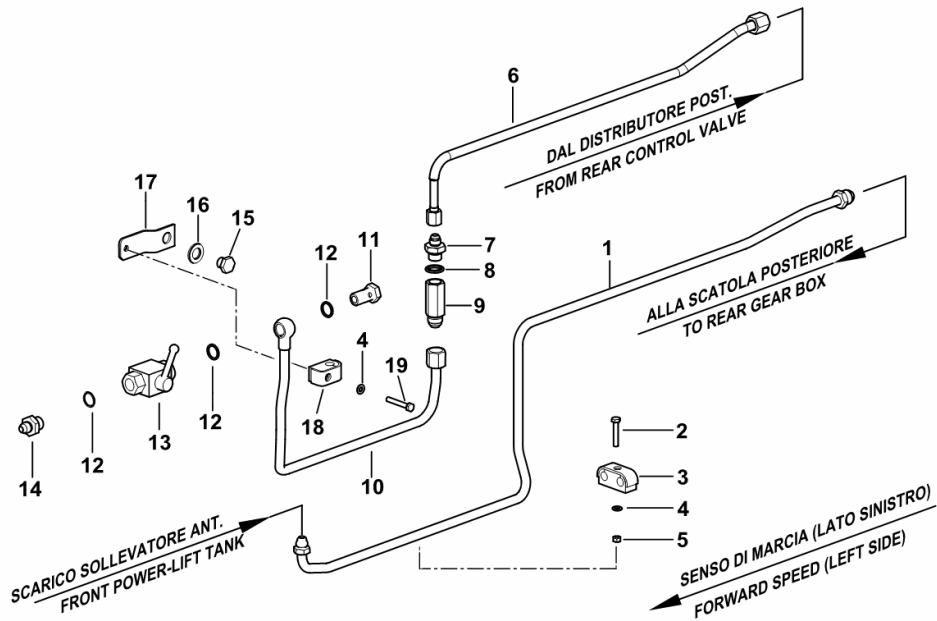
**FRONT LIFT - HYDRAULIC SYSTEM**

Fig.	Code	QTY	Name
------	------	-----	------

**Notes:**

[AGROPLUS 320 -> ZKDR3302W0TD05001] -> 5146

1	0.016.7829.3	1	tube
2	2.0112.013.2	1	screw m 6 p.1 x 35
3	2.3320.210.0	1	hose clip
4	2.1310.002.2	2	washer 6.6, d125
5	2.1011.103.2	1	nut m 6 p.1
6	0.018.1523.3	1	tube
7	2.3261.109.2	1	pipe fitting 9/16" - 18 J
8	2.1561.009.0	1	'o' ring
9	0.013.0457.3	1	valve
10	0.016.7828.3	1	tube
11	2.3339.063.2	1	pipe union 3/8" gas x 30
12	2.1560.053.0	3	gasket 17 x 21
13	0.009.0375.4/10	1	valve
14	2.3261.109.2	1	pipe fitting 9/16" - 18 J
15	2.3110.403.1	1	plug m 14 p.1.5
16	2.1475.005.2	1	washer 14
17	0.015.6498.3	1	bracket
18	2.3320.105.0	1	collar
19	2.0112.015.2	1	screw m 6 p.1x40



9\_R4259\_82\_0-A-002

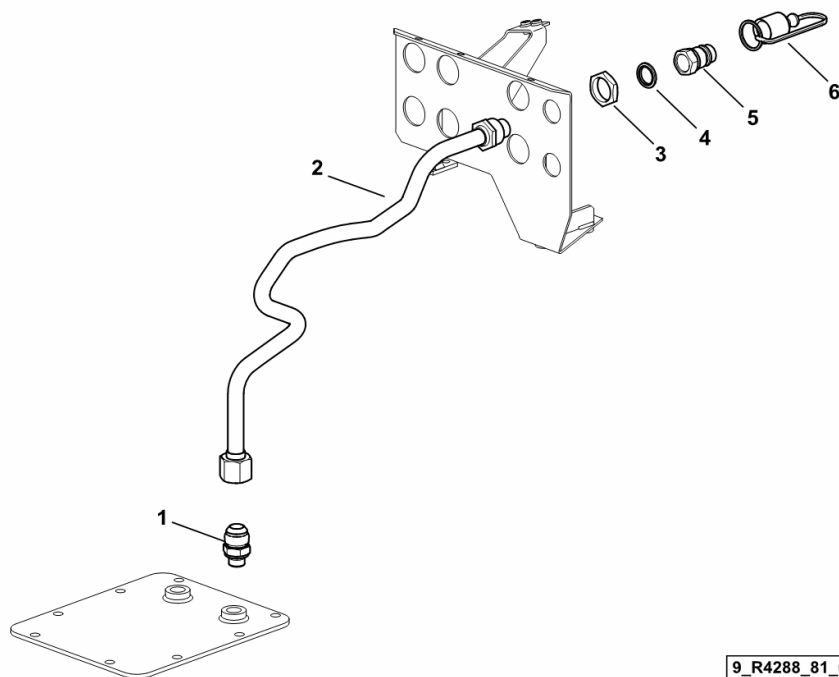
**EXHAUST SYSTEM**

Fig.	Code	QTY	Name
------	------	-----	------

**Notes:**

- FOR TRACTORS WITH HYDRAULIK BREAKING FOR TRAILER [AGROPLUS 320 -> ZKDR3302W0TD05001]

1	2.3249.148.2	1	pipe fitting m 18 - 1/16" JIC
2	0.016.7762.3	1	exhaust
3	2.1019.091.2	1	special nut m 30 p.1.5x8
4	2.1561.017.0	1	'o' ring
5	0.98309.51.3/10	1	coupling 1/2
6	0.009.3149.0	1	plug



9\_R4288\_81\_0-A-001

**AGROPLUS 320 -> 5001**

Section: H0 - HYDRAULIC AND PNEUMATIC SYSTEM|

Ref.: H0.09.9 (1)

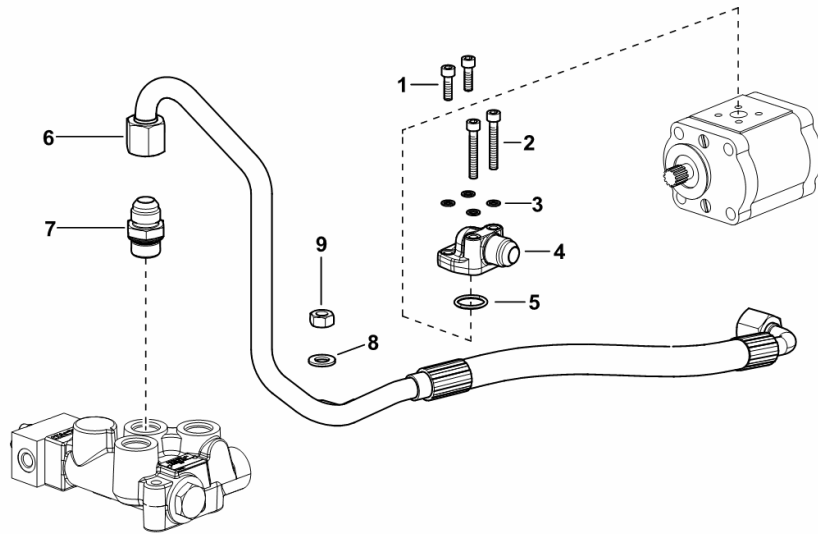
**SYSTEM FROM HYDRAULIC PUMP TO HYDRAULIC BRAKES**

Fig.	Code	QTY	Name
------	------	-----	------

**Notes:**

[AGROPLUS 320 -> ZKDR3302W0TD05001]

1	2.0312.106.2	2	screw m 6 p.1 x 20
2	2.0312.114.2	2	screw m 6 p.1x40
3	2.1480.012.2	4	washer 6, d128
4	0.008.9626.0	1	pipe fitting
5	2.1531.052.0	1	'o' ring 20.29 x 2.62
6	0.016.7795.3	1	tube
7	2.3249.173.2	1	pipe fitting M/M 7/8 JIC-M22
8	2.1475.003.2	1	washer 10
9	2.1011.421.2	1	nut m 10 p.1.25



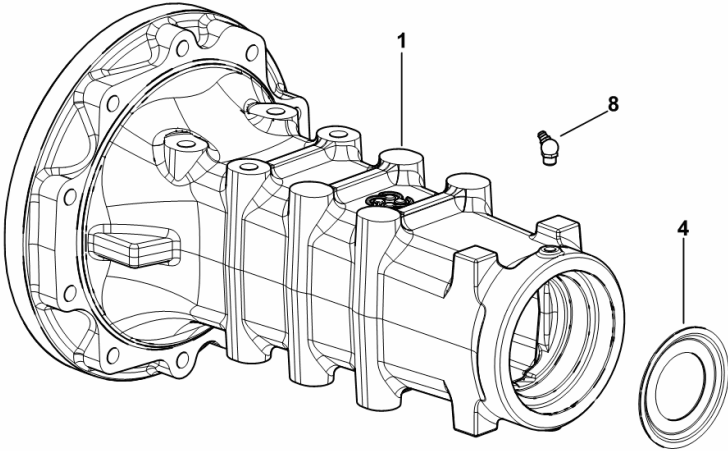
9\_R4282\_46\_0-A-001

**REAR AXLE**

Fig.	Code	QTY	Name
------	------	-----	------

Notes:  
[AGROPLUS 320 -> ZKDR3302W0TD05001]

1	0.007.2515.0/70	2	wheel support
4	0.255.4451.0	2	cup
8	2.3821.103.2	2	lubricator m 10 p.1



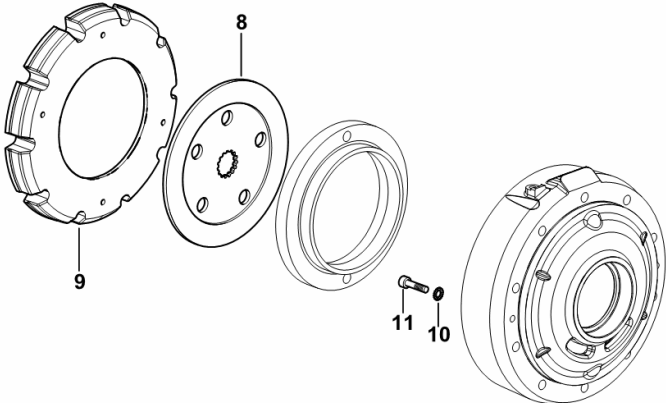
9\_64844\_10\_0-A-001

**REAR BRAKES**

Fig.	Code	QTY	Name
------	------	-----	------

Notes:  
[AGROPLUS 320 -> ZKDR3302W0TD05001]

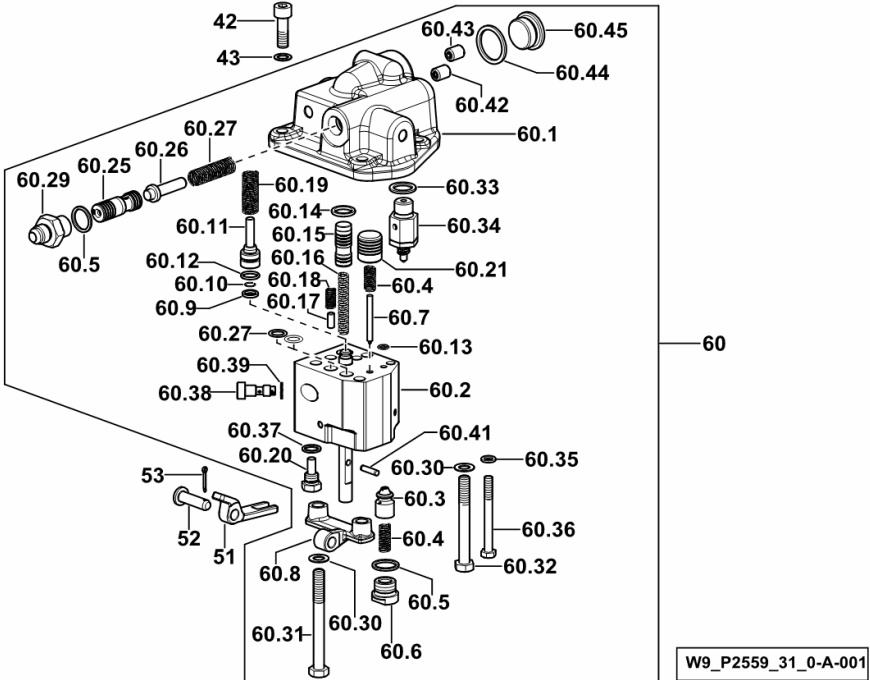
8	0.015.4482.2	2	brake disc
9	0.008.5159.0/30	2	disc
10	2.1480.014.1	4	washer 8
11	2.0312.212.2	4	screw m 8 p.1.25 x 35



9\_64854\_00\_0-A-001

**FLOW CONTROL VALVE WITH MECHANICAL CONTROL**

Fig.	Code	QTY	Name
60.41	2.1631.307.0	1	roll pin 4x16
60.42	0.9123.450.3/10	1	grain
60.43	0.9123.454.3/10	1	grain
60.44	2.1560.019.0	1	gasket 24.3x30
60.45	2.3199.118.2	1	plug m 24 p.1.5

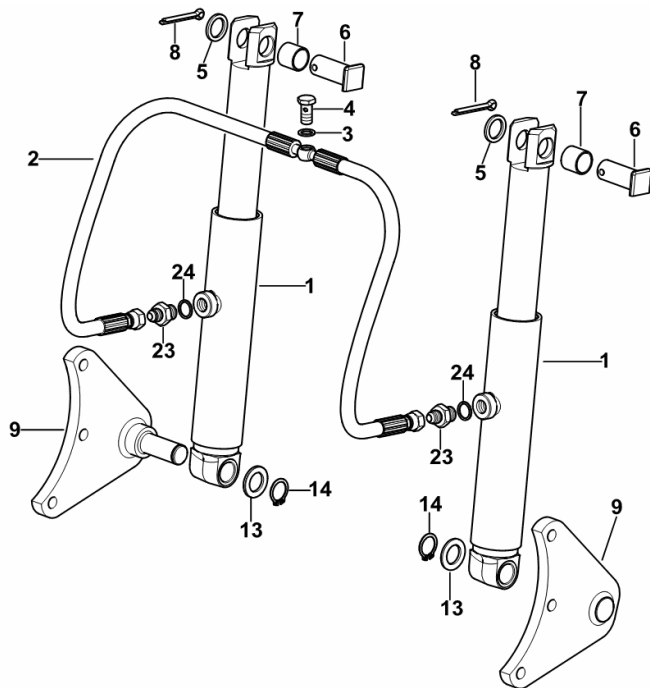


**3-POINT HITCH WITH HYDRAULIC LIFT ROD**

Fig.	Code	QTY	Name
------	------	-----	------

**Notes:**

[AGROPLUS 320 -> ZKDR3302W0TD05001]



9\_64859\_23\_0-A-001

1	0.010.7534.4	2	cylinder ☞ 0.010.7534.4
2	0.010.7533.3/10	1	tube
3	2.1560.008.0	1	gasket 12.2 x 18
4	2.3335.005.2	1	pipe union m 12 p.1.5 x 24
5	2.1599.656.2	2	washer 22 x 30 x 3.0
6	2.1699.372.0/30	2	pin 22x59
7	2.1559.076.0	2	bushing 22.05x26.05x23
8	2.1690.616.2	2	split pin 6.3 x 50
9	0.010.7529.3	2	plate
13	2.1311.013.2	2	flat washer 22
14	2.1410.008.1	2	circlip Ø 22
23	2.3261.007.2	2	pipe fitting m 16 p.1.5-9/16"
24	2.1560.011.0	2	gasket 16.2x20

PLUGS FOR GEARBOX.....	D0.09.10 (1)
GEARBOX UPPER COVER.....	D0.09.12 (1)
REAR GEARBOX PLUG.....	D0.09.13 (1)
FRONT GEARBOX PLUG.....	D0.09.14 (1)
REAR GEARBOX PLUG.....	D0.09.15 (1)
PLUG FOR TYPES WITH ELECTROHYDRAULIC 4WD ENGAGEMENT.....	D0.09.16 (1)
REAR GEARBOX PLUG.....	D0.09.17 (1)
SENSOR BRACKET.....	D0.09.18 (1)
<b>INTERNAL AND EXTERNAL GEARBOX CONTROLS</b>	
GEARBOX CONTROL ROD.....	D0.10.0 (1)
5-SPEED GEARBOX INTERNAL CONTROLS.....	D0.10.3 (2)
INTERNAL CONTROLS OF 5-SPEED GEARBOX WITH UNDERDRIVE.....	D0.10.4 (2)
GEAR SHIFTING.....	D0.10.7 (1)
PARTS SET - 5-SPEED GEARBOX.....	D0.10.8 (1)
PARTS SET - 5-SPEED WITH UNDERDRIVE.....	D0.10.9 (1)
SPEED RANGE REDUCTION GEAR SHAFT.....	D0.10.10 (1)
3-RANGE BOX.....	D0.10.11 (1)
<b>LOW SPEED RANGES</b>	
BEVEL WHEEL GEAR Z = 12 / Z = 44.....	D0.11.0 (1)
BEVEL DRIVE PINION BEARING.....	D0.11.1 (1)
SPEED RANGE REDUCTION GEAR UNIT.....	D0.11.2 (1)
3-RANGE BOX 40 Km\h.....	D0.11.3 (1)
PHONIC WHEEL FOR TYPES WITH ELECTROHYDRAULIC 4WD ENGAGEMENT.....	D0.11.5 (1)
<b>HYDRAULIC REAR PTO CLUTCH</b>	
P.T.O. - HYDRAULIC CLUTCH.....	D0.12.0 (2)
P.T.O. - HYDRAULIC CLUTCH.....	0.011.9686.4/40.A
P.T.O. - HYDRAULIC CLUTCH.....	0.011.9686.4/40.B
<b>HYDRAULIC PUMP DRIVE</b>	
P.T.O. - PUMP CONTROL.....	D0.13.0 (2)
<b>PTO/GROUNDPSPEED DRIVE</b>	
CONTROL LEVER P.T.O.....	D0.14.0 (1)
CONTROL LEVER P.T.O.....	D0.14.1 (1)
BEARINGS OF - 2-SPEED P.T.O.....	D0.14.3 (1)
P.T.O. - 540/N - WITH INSERTED END SHAFTS.....	D0.14.4 (1)
CONTROL LEVER P.T.O.....	D0.14.5 (1)
P.T.O. - 540/N - WITH INSERTED END SHAFTS.....	D0.14.6 (1)
P.T.O. - 2 SPEED TYPE 540-750.....	D0.14.7 (1)
2-SPEED - PTO WITH FIXED OUTPUT SHAFT 540-750.....	D0.14.8 (1)
2-SPEED - PTO WITH FIXED OUTPUT SHAFT 540-750.....	D0.14.8 (2)
PTO - 2-SPEED WITH INSERTED END SHAFT 540-750.....	D0.14.9 (1)
PTO - 2-SPEED WITH INSERTED END SHAFT 540-750.....	D0.14.10 (1)
P.T.O. SHAFT 540 - 750 + SYNCRO.....	D0.14.11 (1)
P.T.O. SHAFT 540 - 750 + SYNCRO.....	D0.14.12 (1)
3-SPEED P.T.O. WITH FIXED OUTPUT SHAFT 540-750-1000.....	D0.14.13 (1)

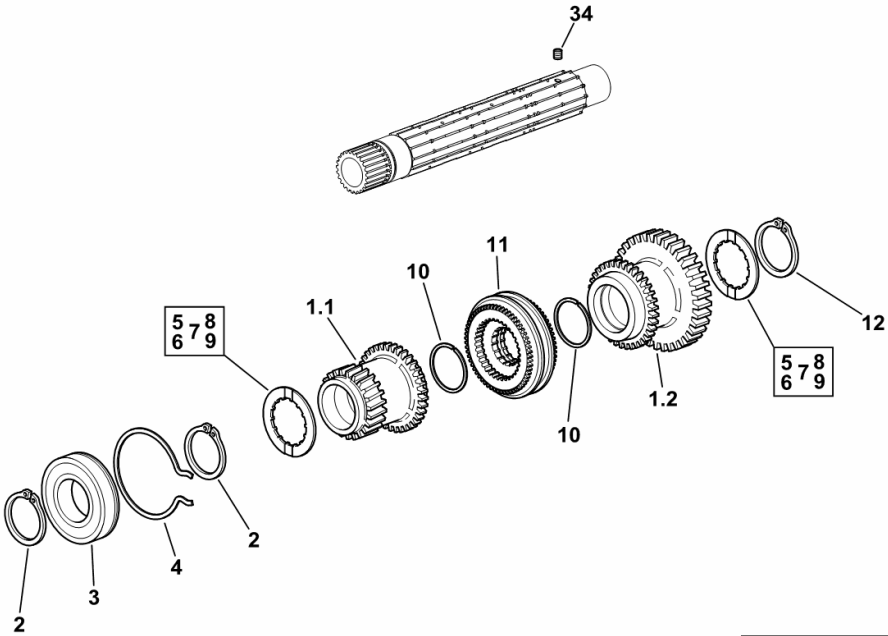
SHUTTLE FOR 5-SPEED TRANSMISSION

Fig.	Code	QTY	Name
------	------	-----	------

Notes:

- FOR TYPES WITH H-M-L- (POWERSHIFT) [AGROPLUS 320 -> ZKDR3302W0TD05001]

1.1	0.008.5128.0/40	1	gear Z = 23
1.2	0.011.9671.0/10	1	gear Z = 37
2	2.1410.016.1	2	circlip 40
3	2.2999.266.0	1	bearing 40 x 80 x 18
4	2.1499.052.1/10	2	circlip 80
5	0.008.0251.0	1	shim 39 x 64 x 2.65
6	0.010.0629.0	1	shim 39 x 64 x 2.85
7	0.010.0630.0	1	shim 39 x 64 x 3.05
8	0.010.0631.0	1	shim 39 x 64 x 3.25
9	0.010.0632.0	1	shim 39 x 64 x 3.45
10	2.1422.029.7	7	circlip 40 x 1.5
11	0.007.7620.4/10	1	lock synchronizer 62 ☞ 0.007.7620.4/10
12	2.1410.017.1	6	circlip 42
34	2.0599.089.7	2	grain m 5 p.0.8 x 50



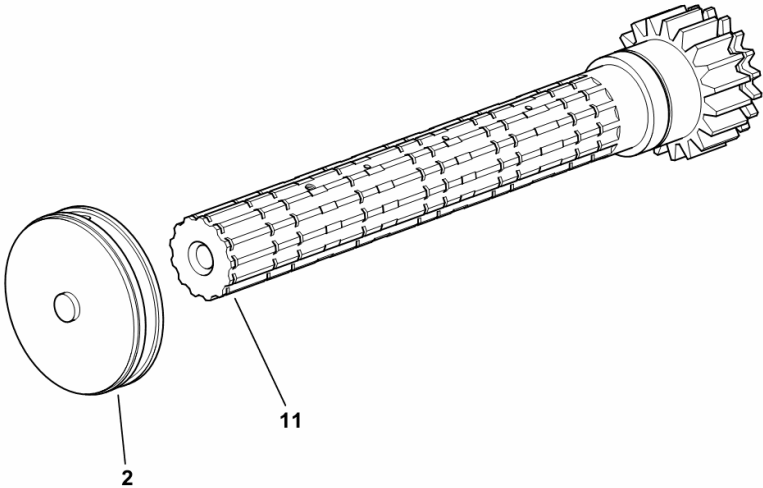
9\_B6133\_00\_0-C-001

**TRANSMISSION SHAFT - FOR TYPES WITHOUT H-M-L (POWERSHIFT)**

Fig.	Code	QTY	Name
------	------	-----	------

Notes:  
[AGROPLUS 320 -> ZKDR3302W0TD05001] -> 5039

2	0.008.5724.0/20	1	flange
11	0.008.5155.0/50	1	countershaft



9\_58933\_05\_0-A-001

**GEARBOX REAR**

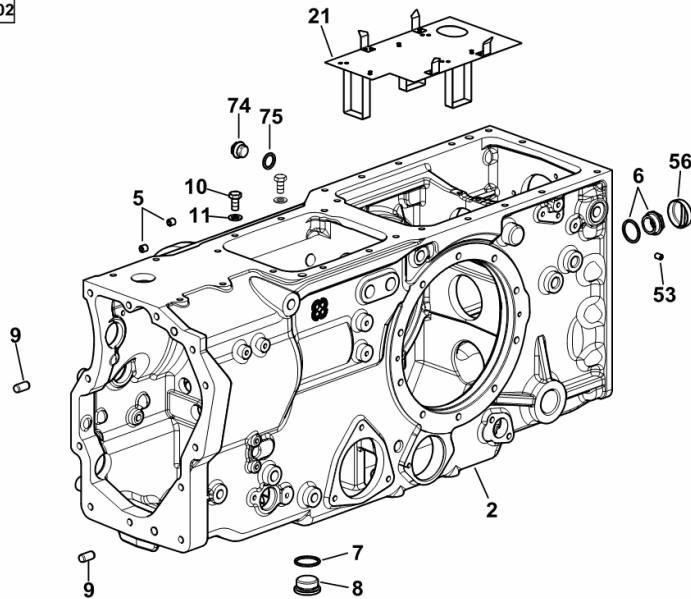
Fig.	Code	QTY	Name
------	------	-----	------

**Notes:**

[AGROPLUS 320 -> ZKDR3302W0TD05001] 5124 <-

2	0.015.2900.0/20	1	gear box
5	2.0532.303.7	2	screw m 10 p.1.5 x 10
6	2.3199.250.0	1	plug m 30 p.1
7	2.1560.056.0	1	gasket 33x39
8	2.3199.002.2	1	plug 1 gas
9	2.1651.911.0	2	cylindrical plug 12 x 24
10	2.0112.307.2	8	screw m 10 p.1.5 x 20
11	2.1475.003.2	20	washer 10
21	0.013.9449.2	1	division
53	2.0512.204.7	1	grain m 8 p.1.25 x 12
56	2.3179.018.4	1	plug
74	2.3110.405.1	1	plug m 18 p.1.5 x 15
75	2.1560.014.0	1	gasket 18.2 x 24 x 1.5

9\_I7431\_01\_0-A-002

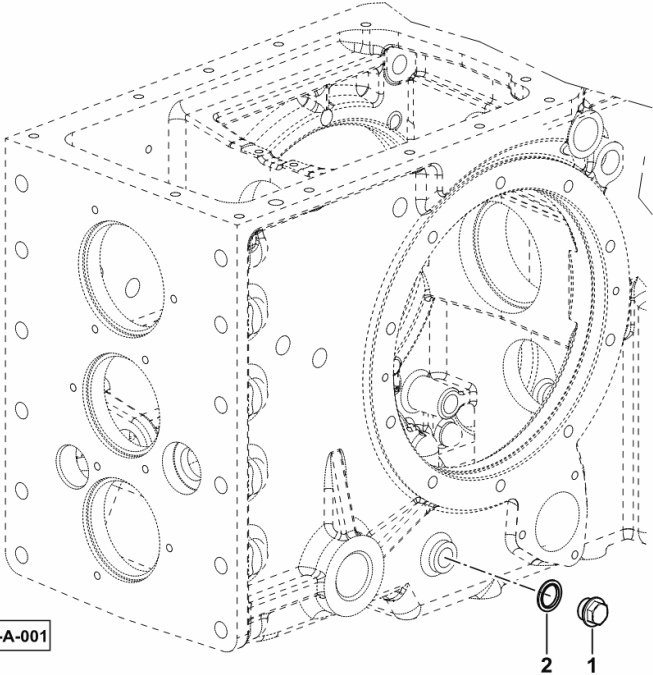


Section: D0 - TRANSMISSION  
**REAR GEARBOX PLUG**

Fig.	Code	QTY	Name
------	------	-----	------

Notes:  
[AGROPLUS 320 -> ZKDR3302W0TD05001]

1	2.3110.405.2	1	plug m 18 p.1.5 x 15
2	2.1561.010.0	1	'o' ring 18



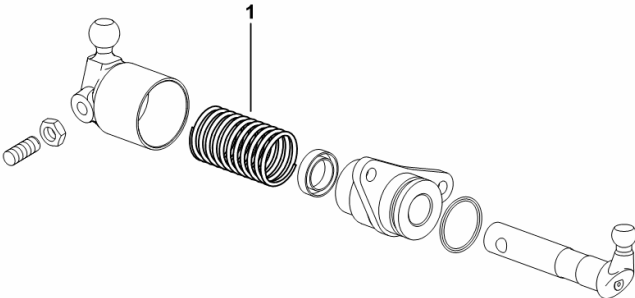
9\_17582\_38\_0-A-001

**PARTS SET - 5-SPEED WITH UNDERDRIVE**

Fig.	Code	QTY	Name
------	------	-----	------

Notes:  
[AGROPLUS 320 -> ZKDR3302W0TD05001]

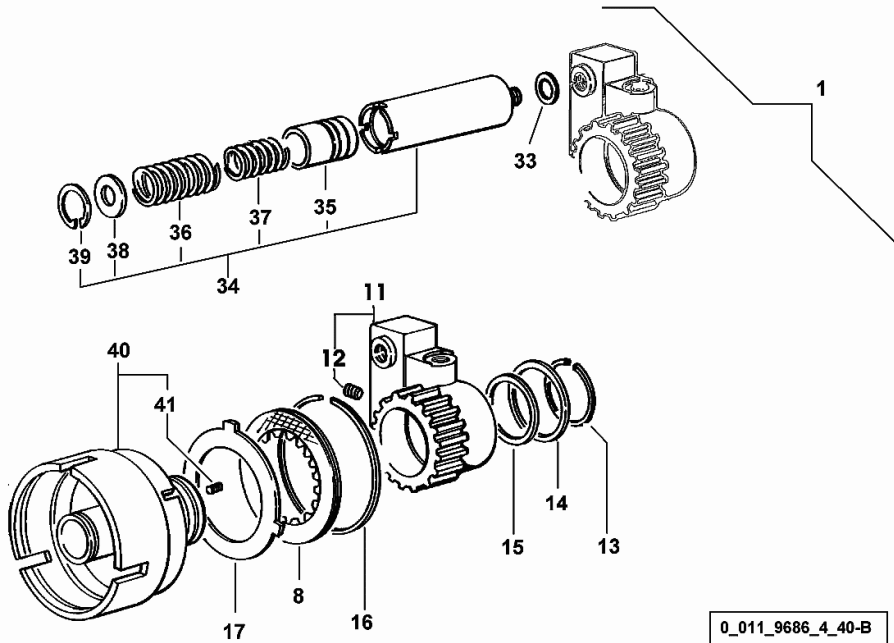
1	2.4019.566.1/10	1	spring
---	-----------------	---	--------



9\_C1133\_02\_0-A-001

**P.T.O. - HYDRAULIC CLUTCH**

Fig.	Code	QTY	Name
1	0.011.9686.4/40	1	hydraulic pto clutch
8	0.008.9947.2	1	brake disc
11	0.008.9944.3/30	1	piston
12	2.0512.202.7	2	screw m 8 p.1.25 x 8
13	2.1419.027.1	1	circlip 48
14	2.1599.416.0	1	snoulder 50x58x1
15	2.1569.109.0/10	3	gasket 46 x 50 x 2.0
16	2.1499.137.7	1	circlip 100
17	0.008.9948.0	2	disc
33	2.1560.010.0	1	gasket 14.2 x 20 x 1.5
34	0.010.4252.4/20	1	accumulator
35	0.010.4253.0/10	1	piston
36	2.4019.648.1/10	1	spring
37	2.4019.649.1/10	1	spring
38	2.1599.241.0	1	snoulder 6.0 x 31 x 2.0
39	2.1411.013.1	1	circlip 32
40	0.011.9680.3/20	1	box
41	2.0512.002.7	1	grain m 5 p.0.8 x 8



**2-SPEED - PTO WITH FIXED OUTPUT SHAFT 540-750**

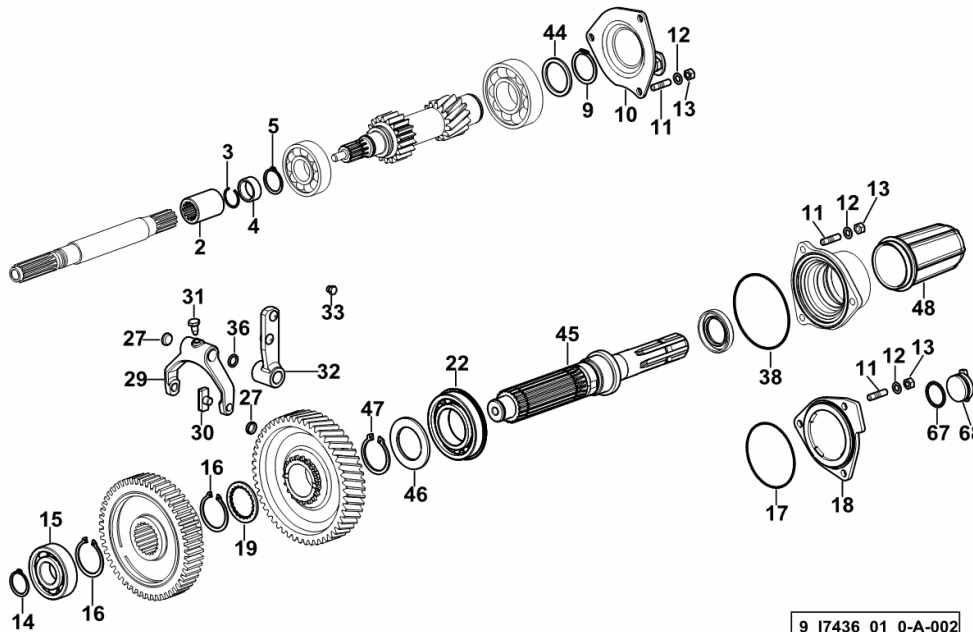


Fig.	Code	QTY	Name
------	------	-----	------

**Notes:**

[AGROPLUS 320 -> ZKDR3302W0TD05001] -> 5022

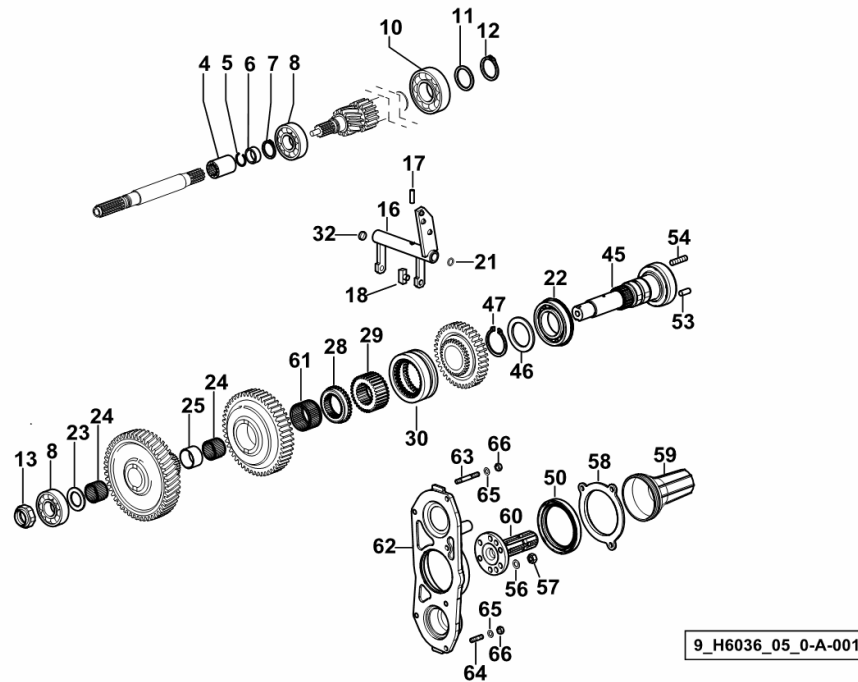
2	0.010.7696.0	1	sleeve Z = 11
3	2.1421.010.7	1	circlip 25
4	2.1549.172.0	1	spacer 24.7 x 31 x 12
5	2.1410.012.1	1	circlip 30
9	2.1410.016.1	1	circlip 40
10	0.008.5181.3/30	1	complete cover
11	2.0422.203.7	9	stud bolt m 8 p.1.25 x 20
12	2.1470.004.2	9	washer 8
13	2.1011.105.2	9	nut m 8 p.1.25
14	2.1410.012.1	1	circlip 30
15	2.2060.009.0	1	ball bearing 30 x 72 x 19
16	2.1410.018.7	2	circlip 45
17	2.1539.025.0/10	1	'o' ring 88.57 x 2.62
18	0.008.4984.2/30	1	cover
19	2.1599.828.0/10	1	thrust plate 41 x 55 x 3
22	2.2999.204.0	1	bearing 50 x 90 x 20
27	2.3171.006.4	5	plug Ø 16
29	0.010.0468.0	1	fork
30	0.255.6463.0	2	shoe
31	2.0399.019.1	2	screw m 8 p.1 x 16
32	0.012.0107.3	1	lever
33	2.3110.428.1	1	plug m 8 p.1 x 10
36	2.1530.028.0	1	'o' ring 11.91 x 2.62
38	2.1532.500.0	1	'o' ring
44	2.1599.414.0	1	snoulder 40 x 50 x 3.0
45	0.014.3979.0/10	1	p.t.o.shaft
46	2.1599.891.0	1	snoulder 45 x 70 x 4
47	2.1412.017.7	1	circlip 45
48	0.154.3655.0/10	1	guard
67	2.1530.079.0	1	'o' ring 29.82 x 2.62
68	0.014.1957.0	1	plug

**P.T.O. WITH INSERTED END SHAFTS - 2 -SPEED + GROUNDSP. AND 3- SPEED**

Fig.	Code	QTY	Name
------	------	-----	------

**Notes:**

[AGROPLUS 320 -> ZKDR3302W0TD05001]



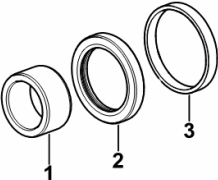
4	0.010.7696.0	1	sleeve Z = 11
5	2.1421.010.7	1	circlip 25
6	2.1549.172.0	1	spacer 24.7 x 31 x 12
7	2.1410.012.1	1	circlip 30
8	2.2999.300.0	2	bearing 30 x 72 x 19
10	2.2062.012.0	1	ball bearing 40 x 90 x 23
11	2.1599.414.0	1	snoulder 40 x 50 x 3.0
12	2.1410.016.1	1	circlip 40
13	2.1219.038.0/40	1	ring nut m 30 p.1.5
16	0.010.7710.3	1	fork
17	2.1631.712.0	1	pin 8x26
18	0.255.6463.0	2	shoe
21	2.1530.028.0	1	'o' ring 11.91 x 2.62
22	2.2999.204.0	1	bearing 50 x 90 x 20
23	2.1589.321.0	1	snoulder 30x47x3
24	2.2770.062.0	2	roller cage 35x40x27
25	0.010.7712.0	1	spacer
28	0.009.3830.3/10	1	gear Z = 32
29	0.010.7701.0	1	hub z=32 z=21
30	0.009.3822.0/20	1	sleeve Z = 32
32	2.3171.006.4	5	plug Ø 16
45	0.014.3780.0	1	shaft
46	2.1599.779.0	1	thrust plate 50x70x4
47	2.1412.019.7	1	circlip 50x3
50	2.1520.043.0	1	oil seal 85 x 110 x 12
53	2.1651.811.0	2	cylindrical plug 10x24
54	2.0432.155.7	6	stud bolt m 10 p.1.5 / p. 1.25 x 25
56	2.1470.006.2	6	lock washer 10
57	2.1011.421.2	6	nut m 10 p.1.25
58	0.011.3274.0	1	cover
59	0.008.0757.0	1	guard
60	0.011.3221.0	1	p.t.o.shaft Z = 6
61	2.2999.363.0	1	roller cage
62	0.014.3683.0/10	1	cover
63	2.0422.215.7	2	stud bolt m 8 p.1.25 x 50
64	2.0422.203.7	5	stud bolt m 8 p.1.25 x 20
65	2.1470.004.2	7	washer 8
66	2.1011.105.2	7	nut m 8 p.1.25

**4WD - ENGAGEMENT CONTROL - STANDARD SEALS**

Fig.	Code	QTY	Name
------	------	-----	------

Notes:  
[AGROPLUS 320 -> ZKDR3302W0TD05001]

1	2.1549.309.0	1	spacer 30x40x20.5
2	2.1520.120.0	1	oil seal 40 x 55 x 8.0
3	2.1589.363.0	1	thrust plate 50x55x7.5



9\_70538\_01\_0-A-001

CLICK HERE TO **DOWNLOAD** THE COMPLETE MANUAL

- Thank you very much for reading the preview of the manual.
- You can download the complete manual from: [www.heydownloads.com](http://www.heydownloads.com) by clicking the link below



- Please note: If there is no response to CLICKING the link, please download this PDF first and then click on it.

CLICK HERE TO **DOWNLOAD** THE COMPLETE MANUAL