

5680

TOOLS AND ACCESSORIES

TOOLS AND ACCESSORIES

IMPLEMENT AND CHAIN LINKS.....4U.35.1

ACCESSORY.....4U.35.2

CHOPPER

CHOPPER BLADE W.....4U.36.1

CLICK HERE TO **DOWNLOAD** THE COMPLETE MANUAL

- Thank you very much for reading the preview of the manual.
- You can download the complete manual from: www.heydownloads.com by clicking the link below

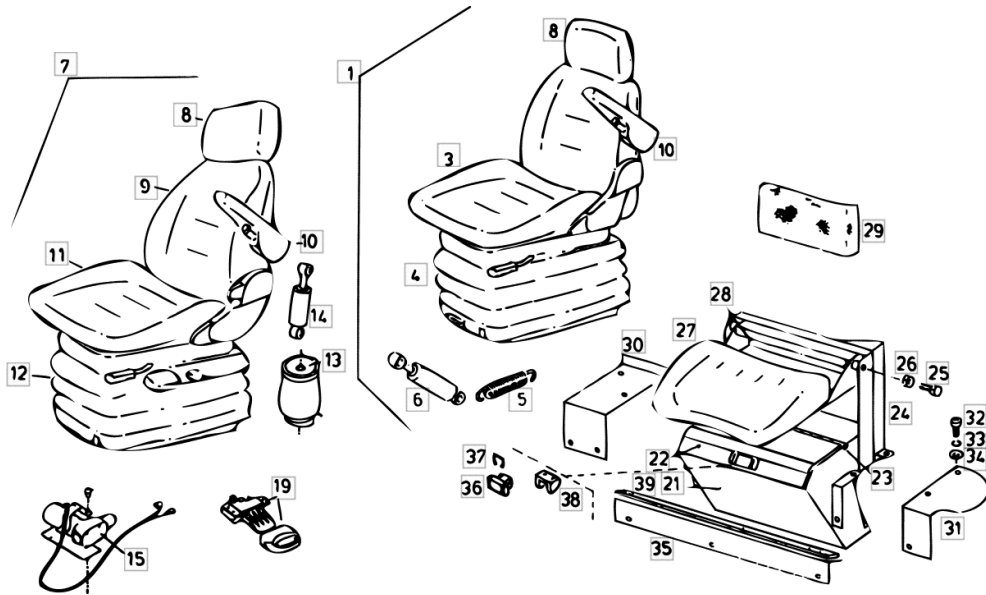


- Please note: If there is no response to CLICKING the link, please download this PDF first and then click on it.

CLICK HERE TO **DOWNLOAD** THE COMPLETE MANUAL

Section: CAB
DRIVER'S SEAT

Fig.	Code	QTY	Name
36	16010229	1	lock
37	16010230	1	small spring
38	16010231	1	small plate
39	06257697	0	gasket 15x5x1540 640 MM



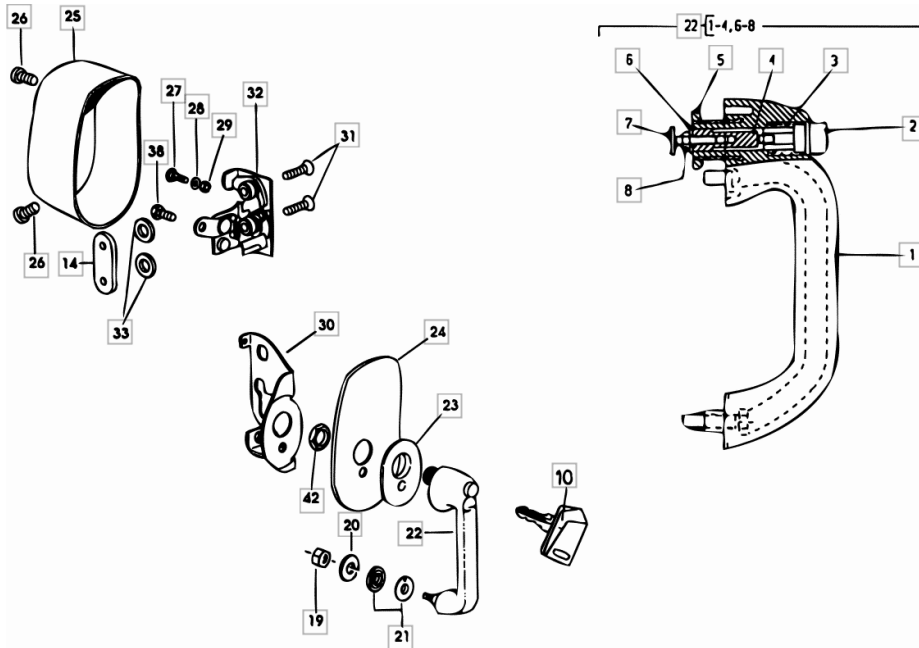
Section: CAB
DRIVERS'S CAB DOOR LOCK


Fig.	Code	QTY	Name
1	04413591	1	handle
2	04413578	1	push-button G 2-4, 6-8
3	04414619	1	spring
4	04414618	1	stop
5	04416537	1	nut m 28 x 1
6	04413596	1	washer
7	04413597	1	latch m 8
8	01112813	1	nut m 6
10	04418435	1	key
14	04412840	1	small plate
19	06209768	1	nut m 10, d985
20	01107105	1	washer 10.5
21	04413571	2	disc
22	04413546	1	handle
23	04412845	1	stop
24	04413547	1	gasket
25	04413573	1	cap
26	04413811	2	screw m 6 p.1.0 x 16
27	04413581	1	screw
28	01107095	1	washer 6.4
29	01112813	1	nut m 6
30	04416201.4	1	support
31	04413568	2	screw m 8 x 35
32	04413582	1	lock
33	04412841	2	washer
38	01144692	2	screw m 8 p.1.25 x 20
42	04416537	1	nut m 28 x 1

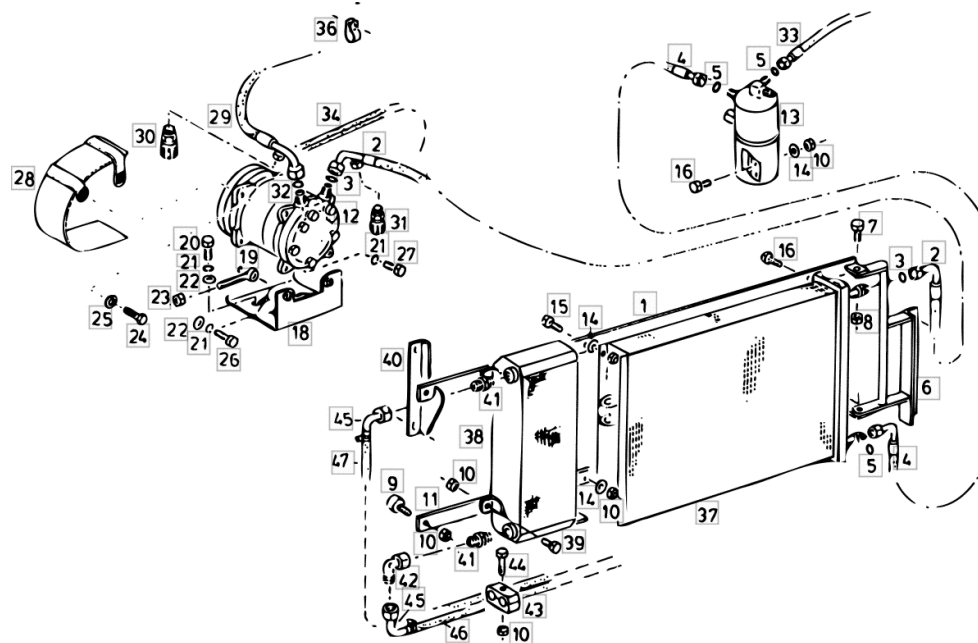
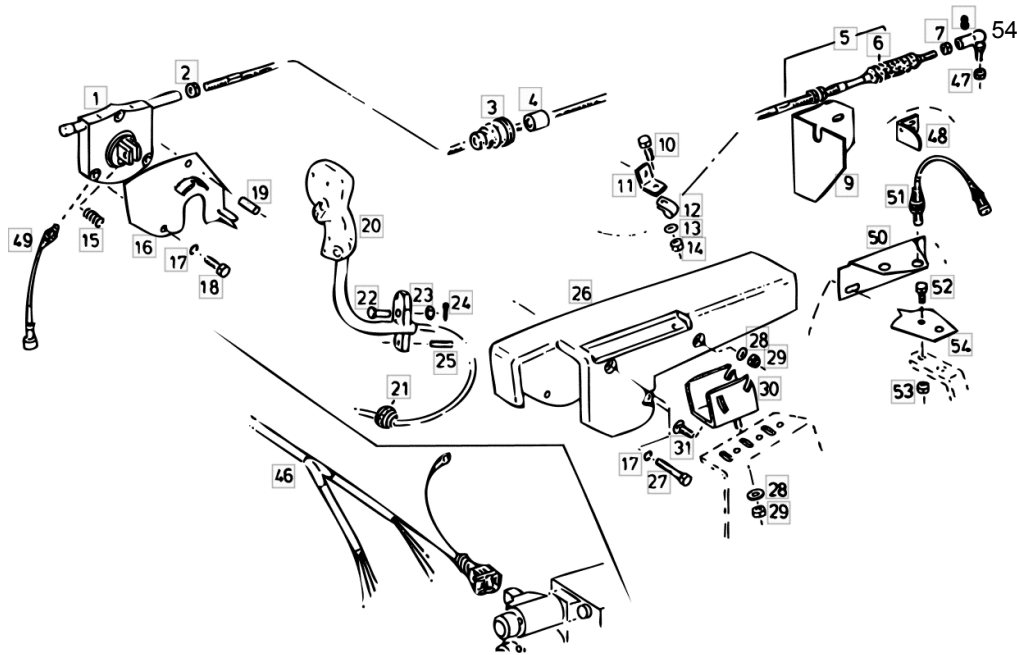
COMPRESSOR-TYPE COOLING PLANT FUEL COOLER

Fig.	Code	QTY	Name
1	16056973	1	base
2	16019682	1	flexible hose Ø 13.7 / L = mm 2150 G 2,31
3	06214679	2	ring 3/4 "
4	16021570	1	tube 5/8" / L = mm 3520
5	04322184	4	rubber plug 5/8"
6	16048397	1	support
7	01112418	2	screw m 10 x 25, d933
8	06209768	2	nut m 10, d985
9	06253864	1	silent-block
10	01114357	0	nut m 6, d985
11	16041399	1	base
12	16045127	1	gear compressor TYP C 16045127
13	16011386	1	filter 0.80 dm³ / 1.0 kg
14	06214189	0	washer 6.4
15	01123749	1	screw m 6 x 25
16	01103316	0	screw m 6 p.1.0 x 16
17	01127031	2	screw m 6 x 30, d933
18	06526328	1	console
19	06207185	1	screw m12 x 90
20	01112418	3	screw m 10 x 25, d933
21	01102800	7	washer 10.2
22	06214197	7	washer 10.5
23	01112858	2	nut m 12, d934
24	01112333	2	screw m 8 x 25, d933
25	01102799	8	washer 8, d128
26	01112451	1	screw m 10 p.1.5 x 45
27	01112429	3	screw m 10 x 30, d933
28	16054462	1	sump
29	16048388	1	flexible hose Ø 19.9 / L = mm 6100 G 29, 30
30	16011396	1	pipe fitting m 13 x 1
31	16011397	1	pipe fitting m 15 x 1
32	04322183	2	rubber plug 7/8 "
33	16048389	1	flexible hose 5/8" / L = mm 7100
34	01145318	1	belt spa x 1120lw
36.1	06216402	0	clamp 15,9 ne
37	16055624	1	condenser
38	16056974	1	radiator
39	01112264	4	screw m 6 x 20, d933
40	16058139	1	support
41	16048122	2	pipe fitting GE 15 PL
42	16022057	1	pipe fitting ew 15-I

ELECTRIC CONTROL WORKING HYDR. SYSTEM

Fig.	Code	QTY	Name
50	16056755	1	square W / HPV 135
51	16050180	1	sensor m 18 p.1 W / HPV 135
52	01103316	1	screw m 6 p.1.0 x 16 W / HPV 135
53	01114357	1	nut m 6, d985 W / HPV 135
54	16056756	1	contact W / HPV 135



Section: ELECTRICAL EQUIPMENT
ELECTRICAL EQUIPMENT BATTERY

Fig.	Code	QTY	Name
1	02940231	1	battery 12v-120ah 420a
2	06279364	1	battery support
3	01112330	1	screw m 8 x 25
4	01107163	1	washer 9, d126
5	02381023	1	interlock
6	01112407	4	screw m 10 x 20, d933
7	06209768	4	nut m 10, d985
8	01112322	1	screw m 8 p.1.25 x 20
9	01104944	1	nut m 8, d985
10	04333490	1	clamp 21
11	01141854	1	switch kpl.
12	16012263	0	key PVC
13	16041850	1	support
14	16002046	1	cable (-)
15	16002049	1	wire (+)

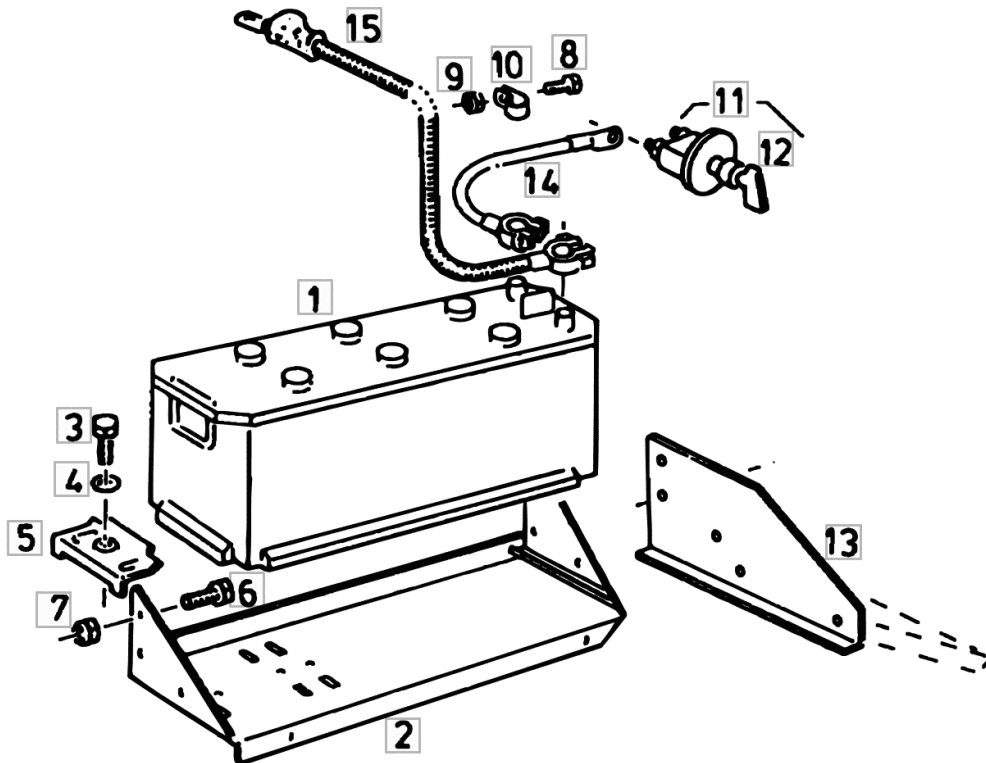
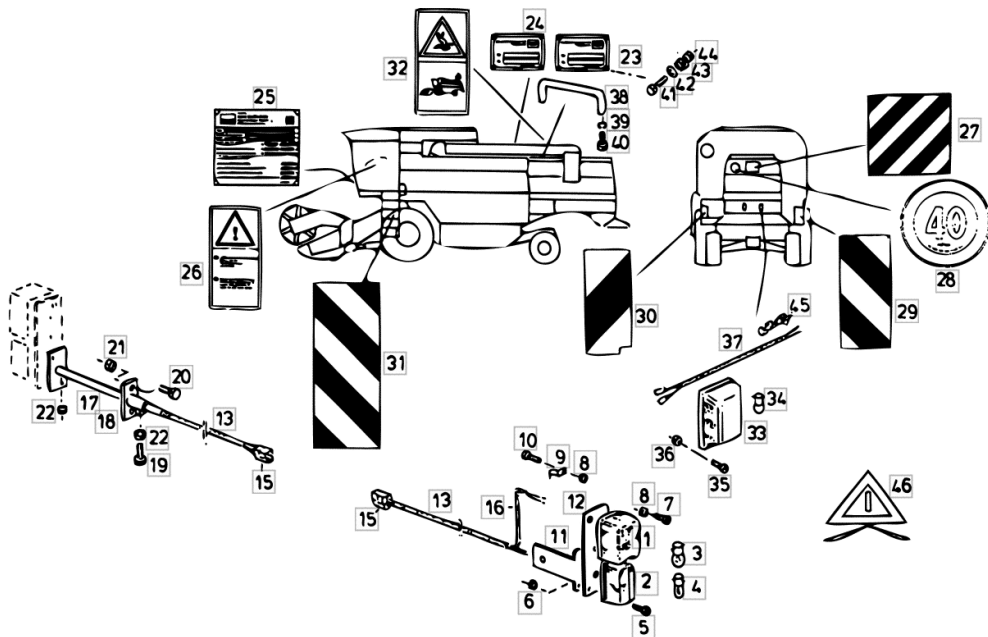
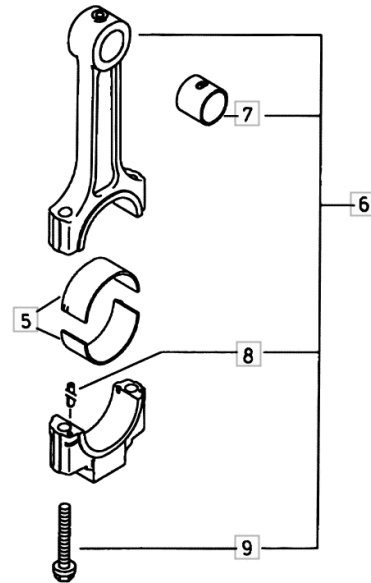
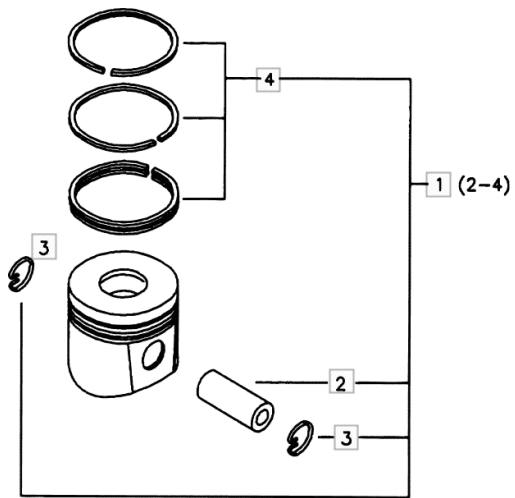


Fig.	Code	QTY	Name
46	01145911	1	triangle



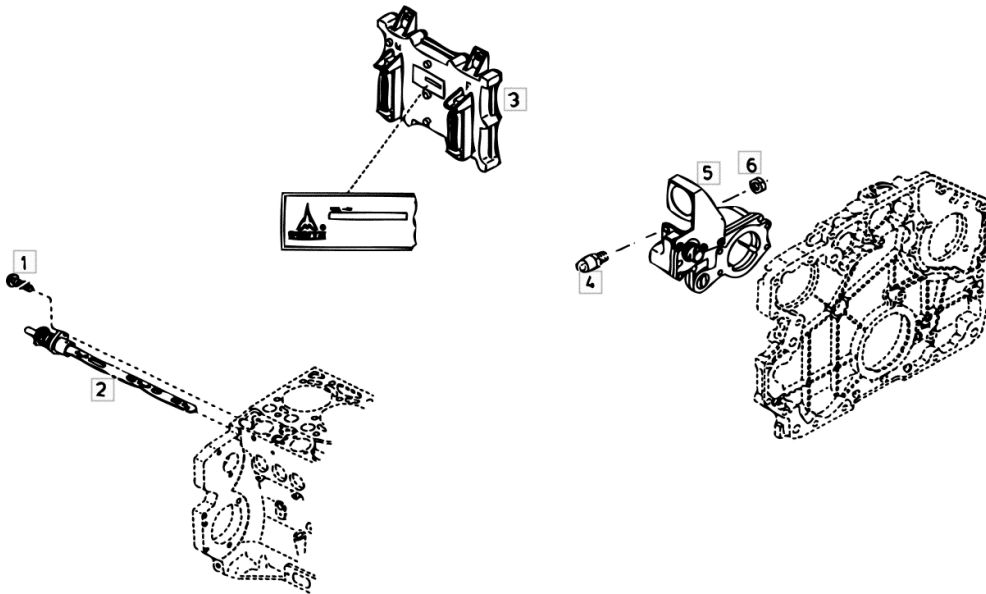
Section: ENGINE
ENGINE PISTON BF 6M 1013

Fig.	Code	QTY	Name
1	04253386	6	complete piston STANDARD
2	04200139	6	piston pin
3	01107830	12	circlip
4	04253389	6	piston ring set
5	02931297	6	bearing 68,00 MM
5.1	02931298	0	bearing 67,75 MM
5.2	02931299	0	bearing 67,50 MM
6	04251587	6	engine connect.rod
7	04200024	6	bushing
8	01133876	6	pin
9	04200468	12	screw



ENGINE CONTROL SYSTEM BF 6M 1013

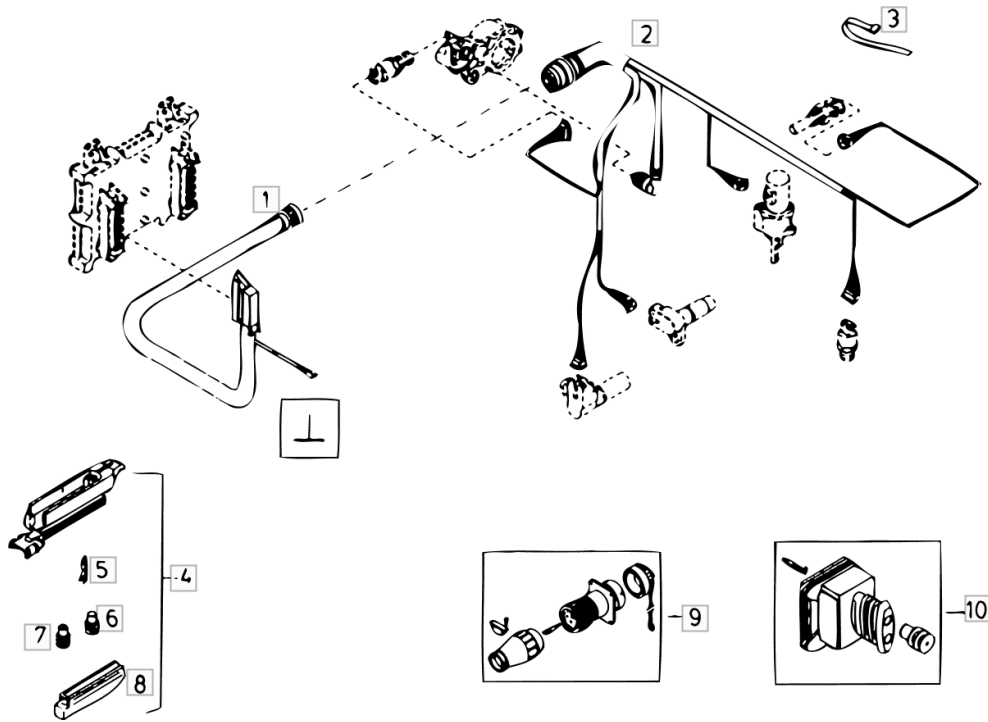
Fig.	Code	QTY	Name
1	01181773	1	screw
2	02112512	1	rod
4	04199552	1	tempe guage
5	02111926	1	regulator
6	01144661	1	nut



Section: ENGINE

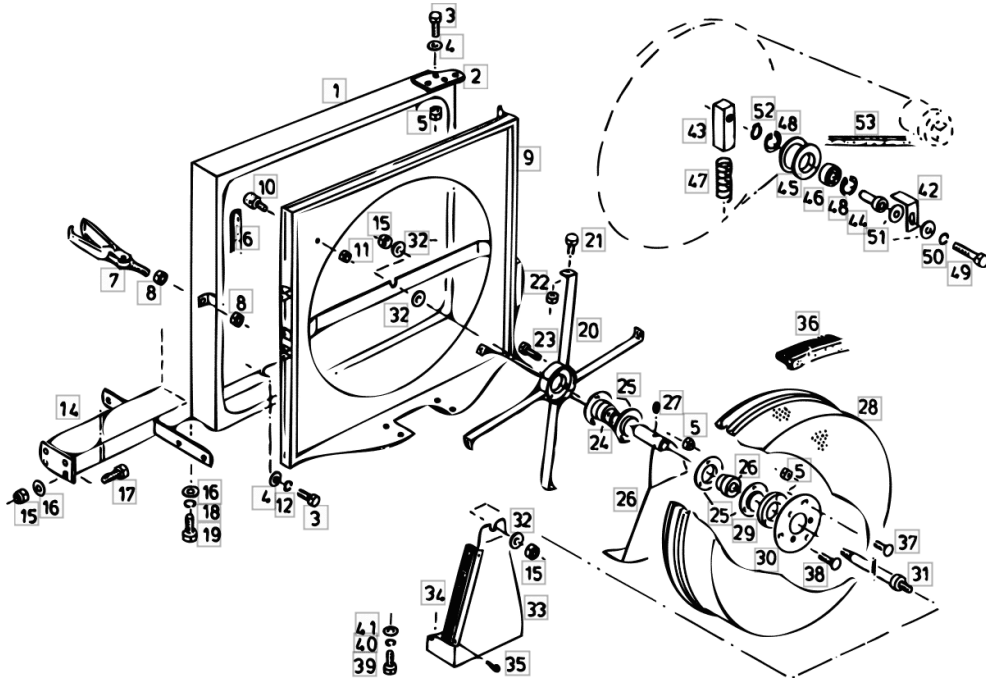
ENGINE CABLE HARNES BF 6M 1013

Fig.	Code	QTY	Name
1	04199757	1	wire
2	04199808	1	wire
3	01176435	5	clamp
4	04199602	1	plug
5	04190852	0	pin
6	04190860	0	plug
7	04190853	0	gasket
8	04189582	1	cover
9	04199615	1	plug kit
10	04199442	1	connection



ENGINE COOLING SYSTEM STRAINER

Fig.	Code	QTY	Name
45	16050788	1	tensioner
46	01128197	1	bearing 2 RS
47	06215299	1	spring
48	01107827	2	circlip 40 x 1.75
49	01136993	1	screw m 12 x 70
50	01102801	1	washer 12
51	06214364	2	disc 13.2
52	01107726	1	circlip 17
53	01145970	1	belt 1/10 x 4060Li



Section: ENGINE
PNEUMATIC SYSTEM W

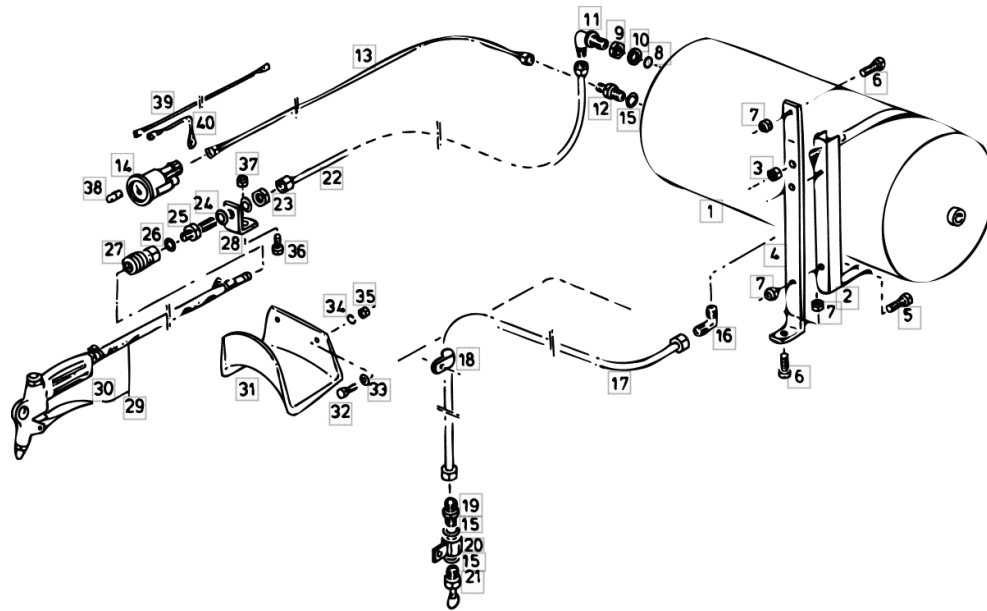
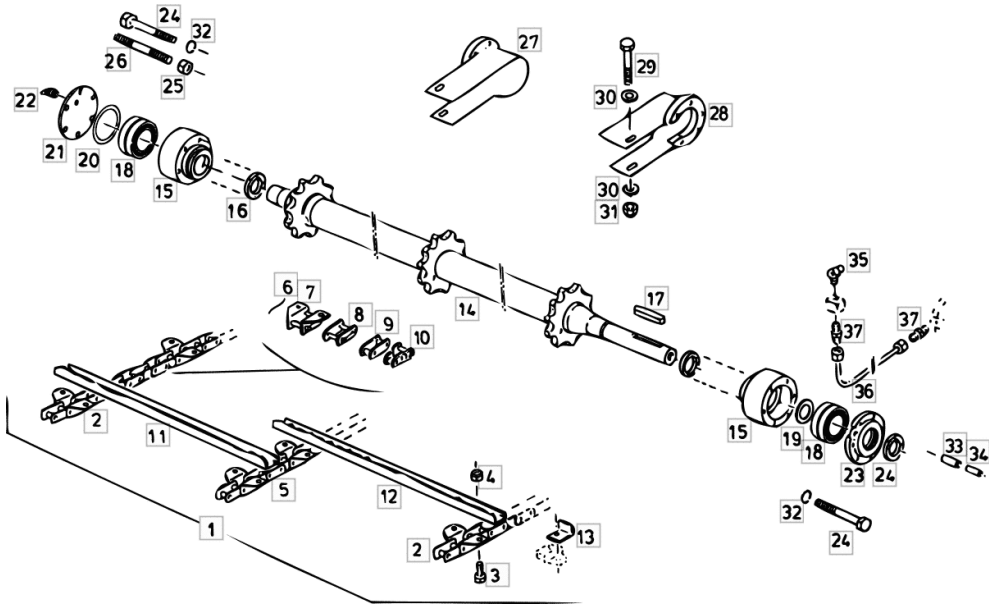


Fig.	Code	QTY	Name
1	16018416	1	container
2	16018418	2	band
3	01112858	4	nut m 12, d934
4	16018422	2	brace
5	01112407	4	screw m 10 x 20, d933
6	01112418	4	screw m 10 x 25, d933
7	06209768	8	nut m 10, d985
8	01164379	1	ring 20x2,5
9	01123543	1	nut m 22 x 1,5
10	02523701	1	ring
11	01143571	1	tongue
12	01143568	1	tongue
13	16018424	1	tube
14	04305747	1	manometer
15	01118737	3	'o' ring 22 x 27
16	16018440	1	threaded joint we 18-plm
17	16018436	1	pipng
18	04325384	1	clamp 19 x 23
19	01143421	1	tongue L 18 B
20	16018441	1	nut m 22 p.1.5 x 30
21	01260634	1	valve
22	16018426	1	tube
23	01138932	1	nut m 18 p.1.5
24	06214223	2	washer 19x30x4
25	01143566	1	pipe fitting a12 m16x1,5
26	06212756	1	'o' ring
27	06262580	1	plug nw 7,2
28	06336216	1	square
29	06336226	1	flexible hose
30	06262578	1	none
31	06262561	1	support
32	01112264	2	screw m 6 x 20, d933
33	06214189	2	washer 6.4
34	01102797	2	washer 6, d128
35	01112813	2	nut m 6
36	01112322	1	screw m 8 p.1.25 x 20
37	01104944	1	nut m 8, d985
38	01121432	0	lamp j/2w d72601
39	06521638	1	insulated braid
40	06336304	1	mass

Section: FEED PASSAGE

TOP SHAFT GATHERING CHAIN FEEDER CHANNEL

Fig.	Code	QTY	Name
37	06216815	2	pipe fitting 4M - ST



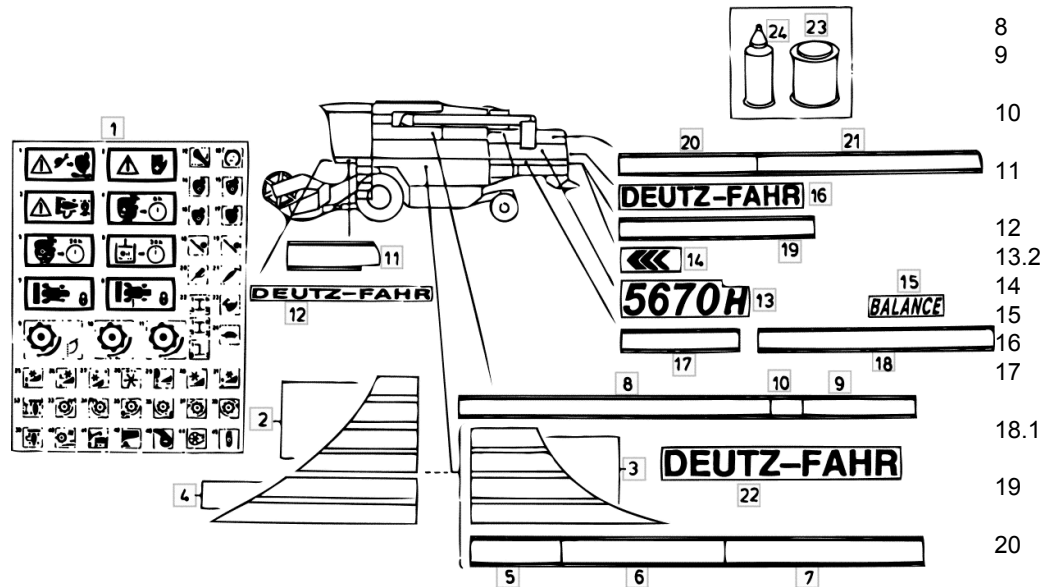
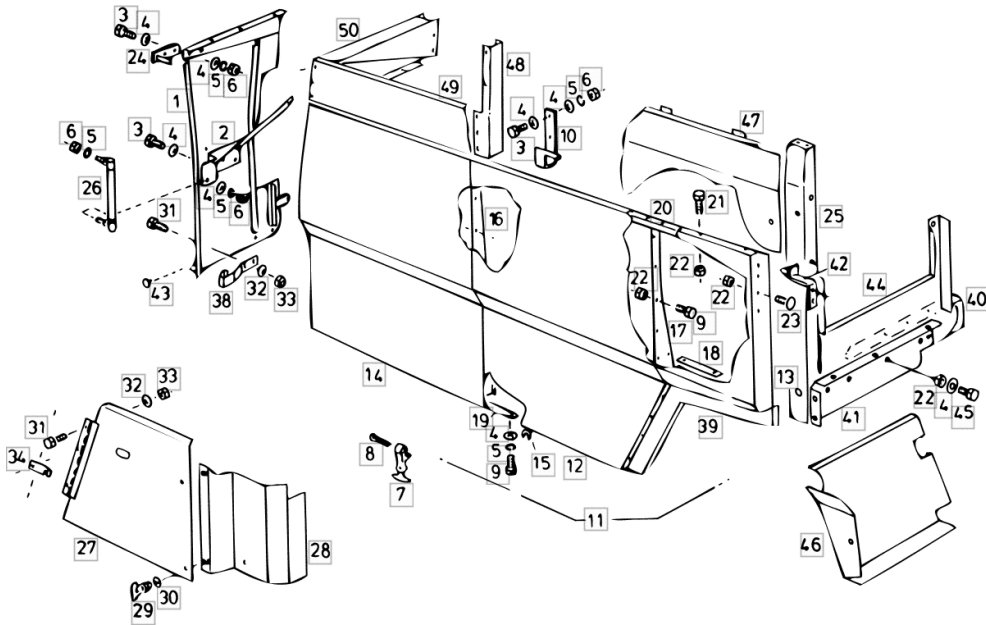
Section: FRAME
COLOUR LABEL


Fig.	Code	QTY	Name
1	06517503	1	plate
2	01146011	2	stickers
3	01146009	1	stickers
4	01146010	1	stickers
5	01146006	0	stickers 190x1418 715 MM
6	01146006	2	stickers 190x1418
7	01146006	0	stickers 190x1418 L / 1413 MM
8	01145120	2	stickers 130x1950
9	01145120	0	stickers 130x1950 L / 1445 MM
10	01145120	0	stickers 130x1950 L / 170 MM
11	01146006	0	stickers 190x1418 485 MM
12	01145993	1	stickers
13.2	01145997	2	stickers
14	01145848	2	stickers
15	01145535	2	advertising material
16	01145992	2	stickers
17	01145120	1	stickers 130x1950 870 MM
18.1	01145120	0	stickers 130x1950 R / 1685 MM
19	01145120	0	stickers 130x1950 1530 MM
20	01145120	0	stickers 130x1950 R / TYP 5680 / 5690 / 1530 MM
21	01145120	0	stickers 130x1950 3010 MM
22	01145994	2	stickers
23	01009375	0	green paint 750 ml
24	01009511	0	paint

Section: FRAME

R.H. LINING

Fig.	Code	QTY	Name
45	01112333	0	screw m 8 x 25, d933
46	16056418	1	sump dx/rh/re
47	16054838	1	cover
48	16054390	1	lamination TYP 5670
49	16054359	1	diaphragm TYP 5670
50	16054358	1	extension TYP 5670



CLICK HERE TO **DOWNLOAD** THE COMPLETE MANUAL

- Thank you very much for reading the preview of the manual.
- You can download the complete manual from: www.heydownloads.com by clicking the link below



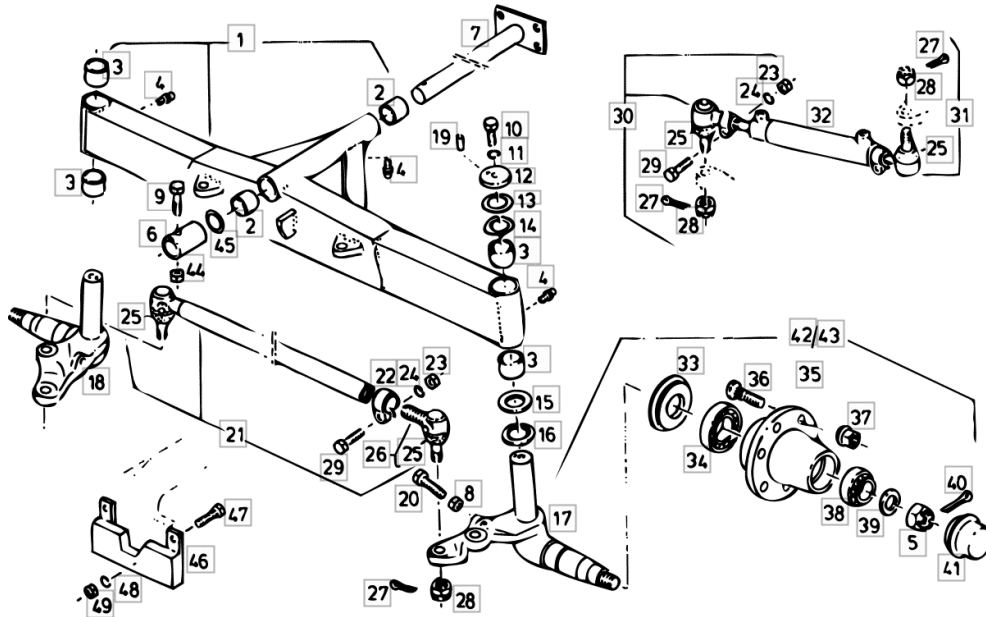
- Please note: If there is no response to CLICKING the link, please download this PDF first and then click on it.

CLICK HERE TO **DOWNLOAD** THE COMPLETE MANUAL

Section: FRONT AXEL
STEERING AXLE STANDARD EQUIPMENT

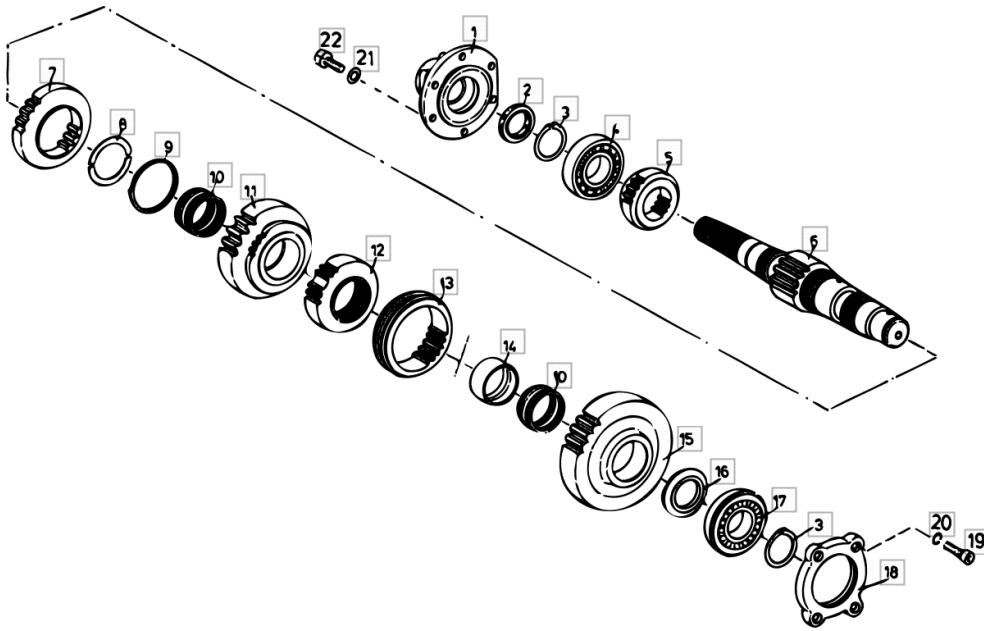
Ref.: 4B.02.1

Fig.	Code	QTY	Name
40	01143009	2	split pin 6.3 x 50
41	06514957	2	small cover
42	16001676	1	wheel spindle kpl. (sx/lh/li) L
43	06537857	1	wheel spindle kpl. (dx/rh/re) R
44	06209769	1	nut m 12, d985
45	06214493	3	shim 40x50x1,0
46	16025794	1	contact surface
47	01112445	2	screw m10x40 d933
48	01102800	2	washer 10.2
49	01102659	2	nut m 10, d934
141	01132687	0	shim 50 x 62 x 0.3
142	01132688	0	shim 50 x 62 x 0.5



INTERMEDIATE SHAFT TRANSMISSION

Fig.	Code	QTY	Name
1	16052957	1	support
2	16052958	1	'o' ring 45x62x10
3	01107760	1	circlip 45x1.75
4	01117311	1	bearing nup 309 ec
5	16052959	1	gear Z = 25
6	16052960	1	shaft
7	16052961	1	gear Z = 36
8	16052962	1	snoulder
9	16052963	1	ring
10	01145355	1	ring k 58x65x36
11	16052964	1	gear Z = 41
12	16052948	1	hub
13	16052949	1	sleeve
14	16052965	1	ring
15	16052966	1	gear Z = 49
16	16052967	1	bushing
17	01109134	1	ball bearing
18	16052953	1	cover sx/lh/li
19	01110652	4	screw m10x25 d912-10
20	01102800	4	washer 10.2
21	06214280	6	washer 13 x 24 x 2.5
22	01102701	6	screw m12x30 10 d933



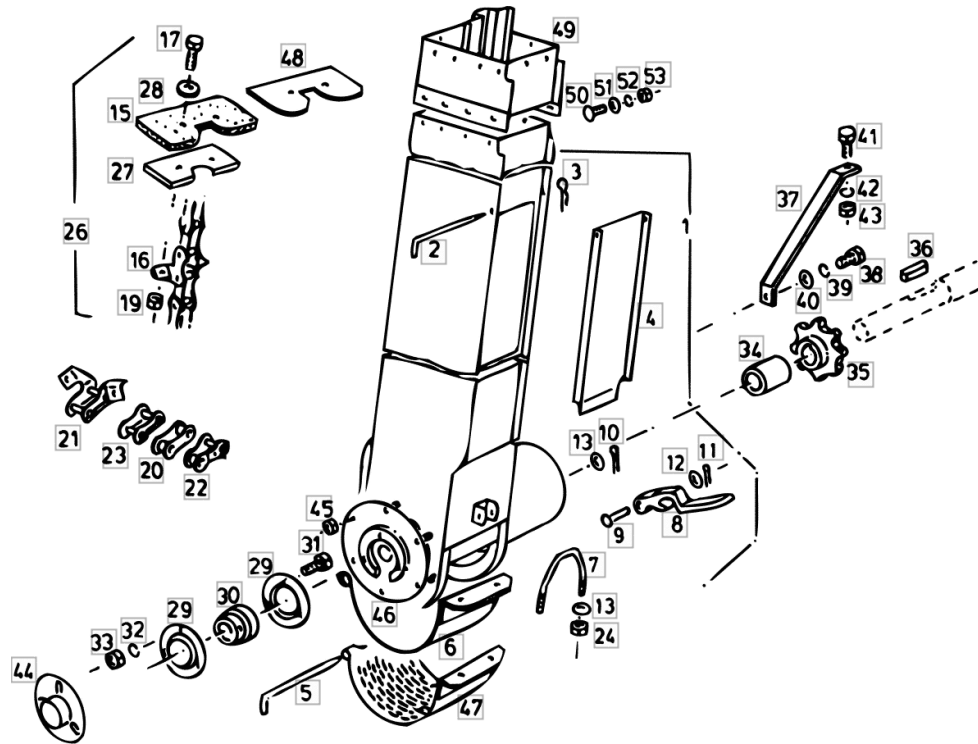
Section: GRAIN TRANSPORT ELEMENTS
GRAIN ELEVATOR


Fig.	Code	QTY	Name
31	01112407	3	screw m 10 x 20, d933
32	01102800	3	washer 10.2
33	01102659	3	nut m 10, d934
34	16034716	1	spacer Ø35.1/44.5 x 83
35	16034719	1	gear Z = 8
36	01101341	1	washer 10.2
37	16041822	1	carrier
38	01112529	1	screw m 12 x 30, d933
39	01102801	1	washer 12
40	06214206	1	washer 13.2
41	01112362	1	screw m 8 x 55, d933
42	01102799	1	washer 8, d128
43	01112824	1	nut m 8, d934
44	06237940	1	guard V (GB
45	01114357	6	nut m 6, d985
46	06515069	1	cover
47	06526469	1	cover W
48	06526479	1	scraper W
49	16006608	1	extension TYP 5680 / 5690
50	06214133	10	screw m 6 x 20 TYP 5680 / 5690
51	06214189	10	washer 6.4 TYP 5680 / 5690
52	01102797	10	washer 6, d128 TYP 5680 / 5690
53	01112813	10	nut m 6 TYP 5680 / 5690

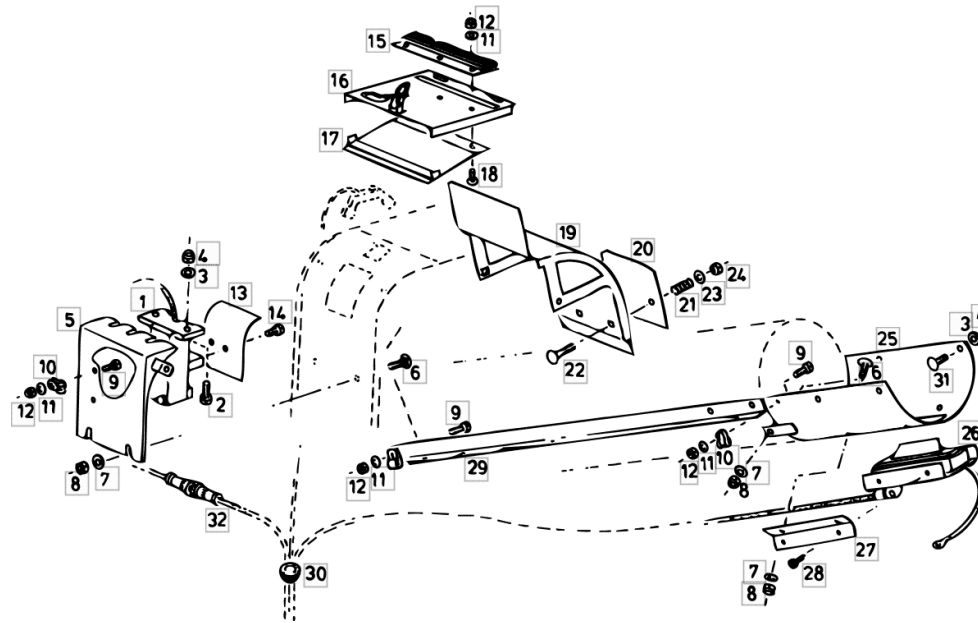
MEASUREMENT OF ELEVATOR THROUGHPUT AND GRAIN HUMIDITY / TCS / W

Fig.	Code	QTY	Name
1	16027126	1	front-wheel drive G 1,13,14
2	01112429	0	screw m 10 x 30, d933
3	06214197	6	washer 10.5
4	06209768	6	nut m 10, d985
5	16034585	1	support
6	01137624	8	screw m 8 x 25
7	06214193	8	washer 8.4
8	01104944	8	nut m 8, d985
9	01112264	4	screw m 6 x 20, d933
10	06216402	2	clamp 15,9 ne
11	06214189	4	washer 6.4
12	01114357	4	nut m 6, d985
13	16047108	1	plate
14	01145882	2	screw
15	16034581	1	brush
16	16027504	1	cap
17	16034578	1	lamination
18	01138836	3	screw m 6 x 20, d603
19	16034572	1	lamination
20	16034580	1	plate
21	06215302	1	spring 2 x 12 x 20
22	01138838	2	screw m 8 x 50, d603
23	06214192	1	washer 8.4
24	01104944	1	nut m 8, d985
25	16034590	1	lamination
26	16027128	1	position sensor
27	16034574	2	square
28	01127683	4	screw m 4.2x13
29	16034587	1	rail
30	06543583	1	grommet Ø 28.8
31	01138843	4	screw m 10 x 30
32	16027548	1	cable harness

HYDRAULIC SYSTEM

HYDRAULIC SYSTEM

WORKING HYDRAULIK SYSTEM / ENGINE.....	4D.07.2
WORKING HYDRAULIK SYSTEM / ENGINE OIL COOLER.....	4D.07.4
WORKING HYDRAULIK SYSTEM CONTROL VALVES.....	4D.07.5
OPERATING HYDRAULICS FOR CUTTER BAR.....	4D.07.6
LIFTING CYLINDER FOR CUTTER BARS.....	4D.07.7
WORKING HYDR. SYSTEM FOR CUTTING TABLE REEL.....	4D.07.8
OPERATING HYDRAULICS FOR GRAIN TANK PIPE.....	4D.07.9
WORKING HYDR. SYSTEM FOR GRAIN TANK TOP.....	4D.07.10
MAIN HYDRAULIC STEERING.....	4D.07.11
MAIN HYDRAULIC STEERING.....	4D.07.12
WORKING HYDR.SYST.....	4D.07.13
OPERATING HYDRAULICS FOR BALANCES / W.....	4D.07.14
INCLINATION HYDRAUL. SYSTEM BALANCE / W.....	4D.07.15
OPERATING HYDRAULICS FOR BALANCES / W.....	4D.07.16
WORKING HYDR. SYSTEM FIELD TRACKER AND BALANCE / W.....	4D.07.17
WORKING HYDR. SYSTEM FIELD TRACKER AND BALANCE / W.....	4D.07.18
WORKING HYDR. SYSTEM CUTTING ANGLE ADJUSTMENT BALANCE / W.....	4D.07.19
HYDRAULIC SYSTEM OIL TANK.....	4D.07.24
WORKING HYDR.SYSTEM HYDRAULIC PUMP S 3.....	4D.07.26
WORKING HYDR.SYSTEM HYDRAULIC PUMP BALANCE / W S 3.....	4D.07.27
CONTROL BLOCK S 2.....	4D.07.28
MAIN VALVE CONTROL BLOCK S 2.....	4D.07.29
CONTROL BLOCK S 2.....	4D.07.30
CONTROL BLOCK S 2.....	4D.07.31
CONTROL BLOCK S 2.....	4D.07.32
CONTROL BLOCK S 3 / W.....	4D.07.33
CONTROL BLOCK S 3 / W.....	4D.07.34
ADJUSTMENT VALVE S 2.....	4D.07.35
CHANGEOVER VALVE S 2.....	4D.07.36
CONTROL BLOCK INCLINATION HYDRAUL. SYSTEM BALANCE / W.....	4D.07.37
LIFTING CYLINDER FOR GRAIN TANK PIPE S 2.....	4D.07.38
HYDROSTATIC STEERING S 3.....	4D.07.39
HYDRAULIC CYLINDER STEERING AXLE S 3.....	4D.07.40
TRAVELING SPEED REGULATION.....	4D.07.41
VARIABLE PUMP ACCESSORIES.....	4D.07.42
TRAVELING HYDRAULIC EQUIPMENT HPV 135 STANDARD EQUIPMENT.....	4D.07.47
VARIABLE PUMP HPV 135.....	4D.07.49
TRAVELING HYDR.EQUIP OIL COOLER.....	4D.07.51
TRAVELING HYDR.EQUIP OIL COOLER.....	4D.07.52

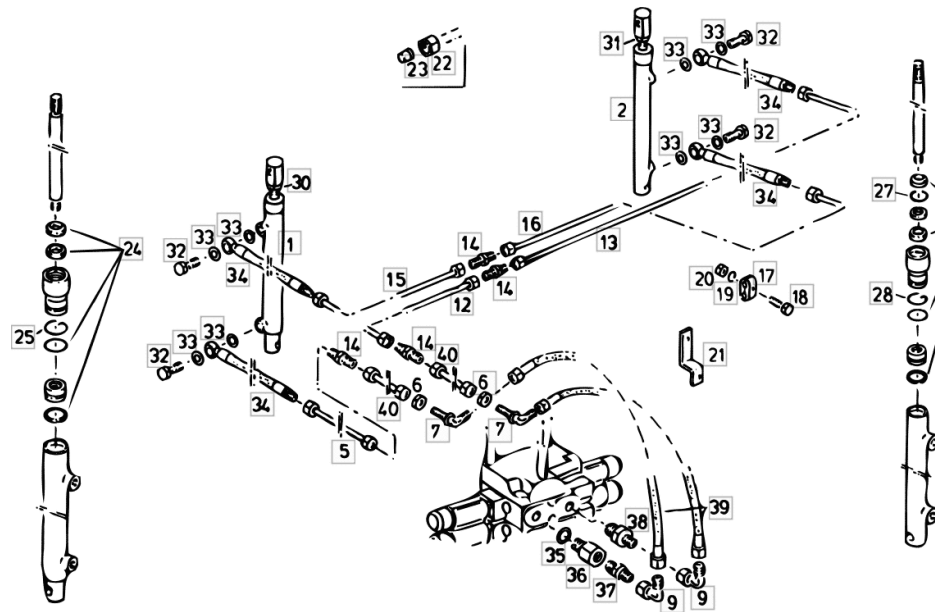
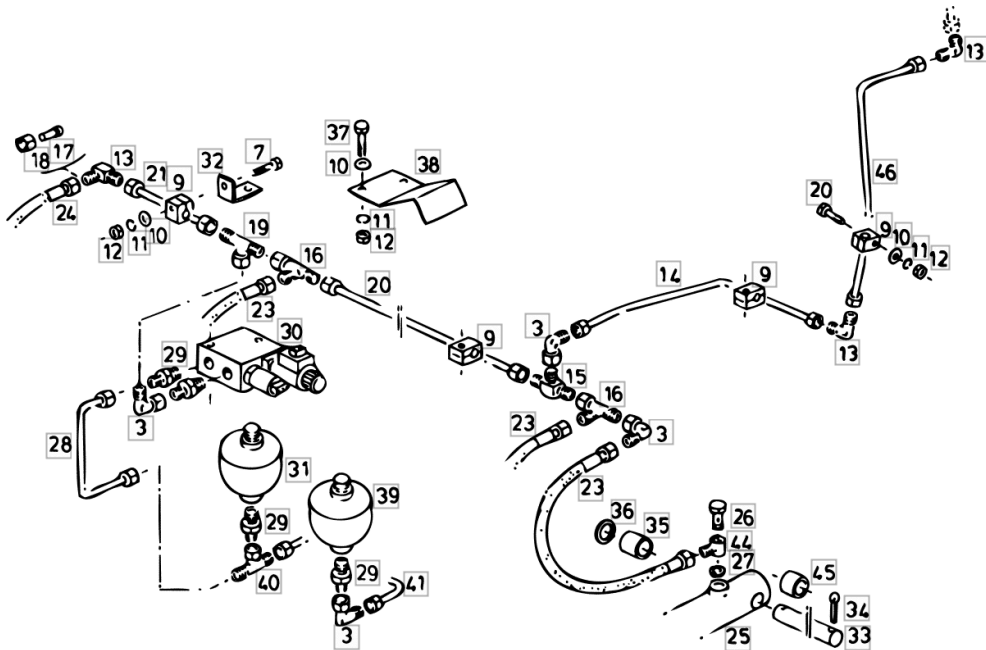
WORKING HYDR. SYSTEM FOR GRAIN TANK TOP

Fig.	Code	QTY	Name
1	16011620	1	roller Ø 32 ☞ 16011620
2	16011622	1	roller Ø 25 ☞ 16011622
5	16025238	1	tube L = mm 1831
6	01144661	2	nut
7	01141652	2	pipe fitting H 3126 Al 8
12	16017903	1	tube L = mm 1937
13	16020884	1	tube L = mm 1909
14	01127359	4	pipe fitting L8, d3902
15	16020878	1	tube L = mm 1793
16	16020881	1	tube L = mm 1625
17	01141548	9	clamp Ø 8/8
18	01127031	9	screw m 6 x 30, d933
19	01102799	9	washer 8, d128
20	01112824	9	nut m 8, d934
21	16010148	1	bracket
22	01127346	0	nut
23	01116635	0	ring
24	16012240	0	seal ring kit
25	06242613	0	ring
26	16012241	0	gasket set
27	06242612	1	ring 28x2.5
28	06242614	1	ring
29	06547571	1	throttle
30	01138932	1	nut m 18 p.1.5
31	01138930	1	nut
32	01119241	4	pipe union m 12 p.1.5
33	01118675	8	ring 12 x 16
34	16020853	4	flexible hose
35	01118718	1	ring 18 x 24
36	16025315	1	reduction m 12 p.1.5/ m 18 p.1.5
37	01143418	1	tongue L8 BM
38	16048019	1	pipe fitting m 18 p.1.5
39	16025318	2	flexible hose
40	16025241	2	tube L = mm 132
41	01178975	2	tongue

OPERATING HYDRAULICS FOR BALANCES / W

Fig.	Code	QTY	Name
39	16029213	1	accumulator 0.5 lt. / 160-45 bar
40	01179538	1	pipe fitting CL 12 S
41	16026667	1	tube
44	16034306	3	pipe fitting 12-LM
45	16056229	2	sleeve
46	16056224	1	tube



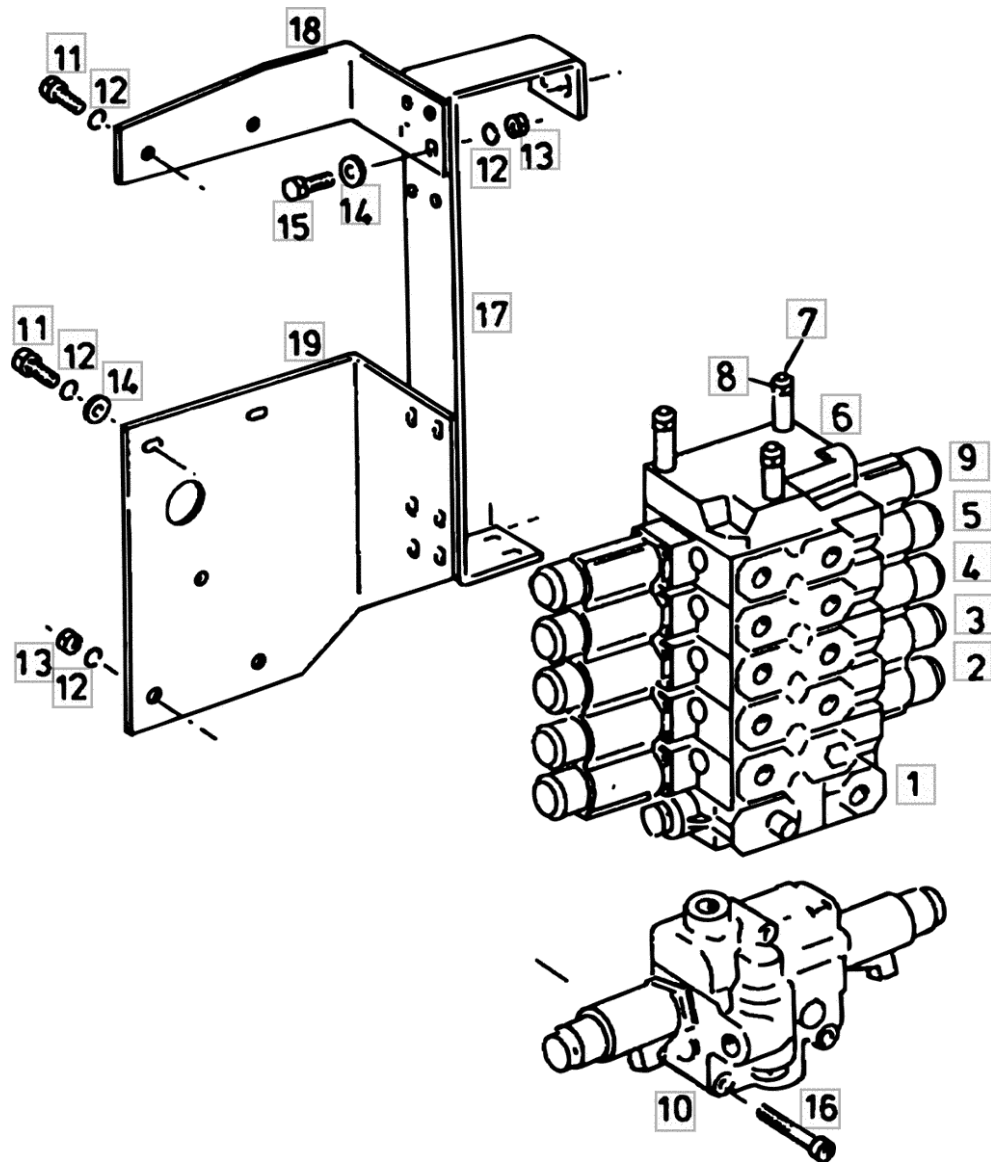
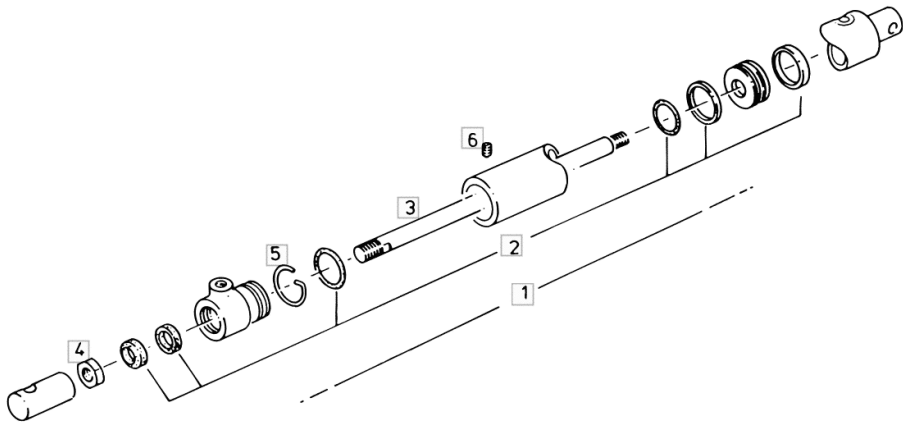
Section: HYDRAULIC SYSTEM
CONTROL BLOCK S 2


Fig.	Code	QTY	Name
14	06214192	0	washer 8.4
15	01112341	0	screw m 8 x 30, d933
16	01144739	3	screw m8x80 d912-10
17	16018230	1	bracket
18	16029361	1	bracket
19	16018229	1	bracket

LIFTING CYLINDER FOR GRAIN TANK PIPE S 2

Fig.	Code	QTY	Name
1	06503194	1	roller Ø 45 ☞ 06503194
2	16000598	0	gasket set
3	16000597	1	piston m 18
4	01138932	1	nut m 18 p.1.5
5	16012262	1	ring
6	06208940	1	grain m 5x10



Section: HYDRAULIC SYSTEM
TRAVELING HYDR.EQUIP OIL COOLER

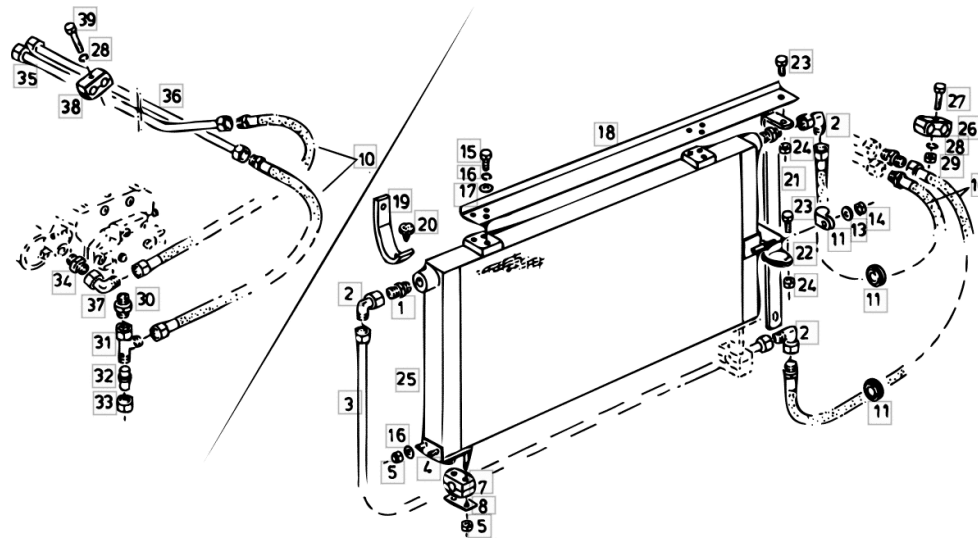


Fig.	Code	QTY	Name
1	01143426	2	pipe fitting Ø 22
2	16022707	3	pipe fitting EW 22 L
3	16055384	1	tube
4	16055386	2	support
5	01114357	8	nut m 6, d985
7	06238807	2	terminal Ø 22
8	06272960	2	small plate
10	06513403	4	flexible hose Ø 15 - m 30 p.2 / L = mm 850
11	06273149	2	rubber bushing
12	06216406	1	clamp 27 x 20 ne
13	06214192	1	washer 8.4
14	01104944	1	nut m 8, d985
15	01103316	8	screw m 6 p.1.0 x 16
16	01102797	8	washer 6, d128
17	06214189	0	washer 6.4
18	16054484	1	square
19	16055281	1	support
20	16035026	1	silent-block
21	16055209	1	bracket
22	16054499	1	lamination
23	01108524	2	screw m 8 p.1.25 x 20
24	06209768	2	nut m 10, d985
25	16055806	1	cooler
26	01141780	1	hose clip Ø 32/32
27	01111193	1	screw m 8 p.1.25 x 80
28	01102799	4	washer 8, d128
29	01112824	1	nut m 8, d934
30	16048126	1	pipe fitting m 22 x 1.5
31	16040270	1	pipe fitting XEL 22-L
32	01179136	1	plug H3107 - V1L 22
33	01116656	1	pipe fitting m 30 p.2
34	16033362	1	pipe fitting geo 22-l
35	16056018	1	tube
36	16056020	1	tube
37	16022707	1	pipe fitting EW 22 L
38	06262780	3	hose clip Ø 22/22
39	01124458	3	screw m 8 x 100, d933

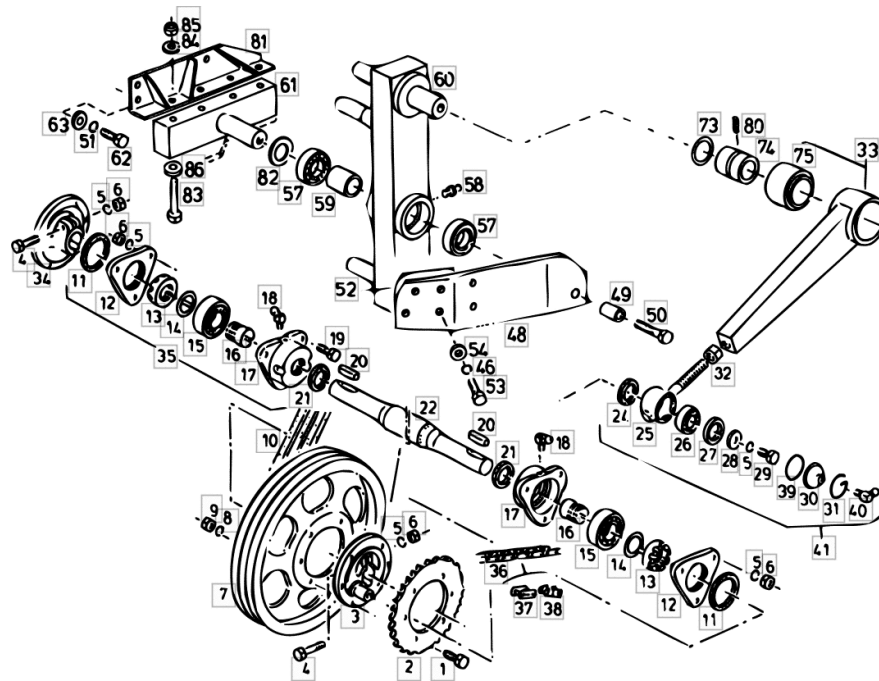
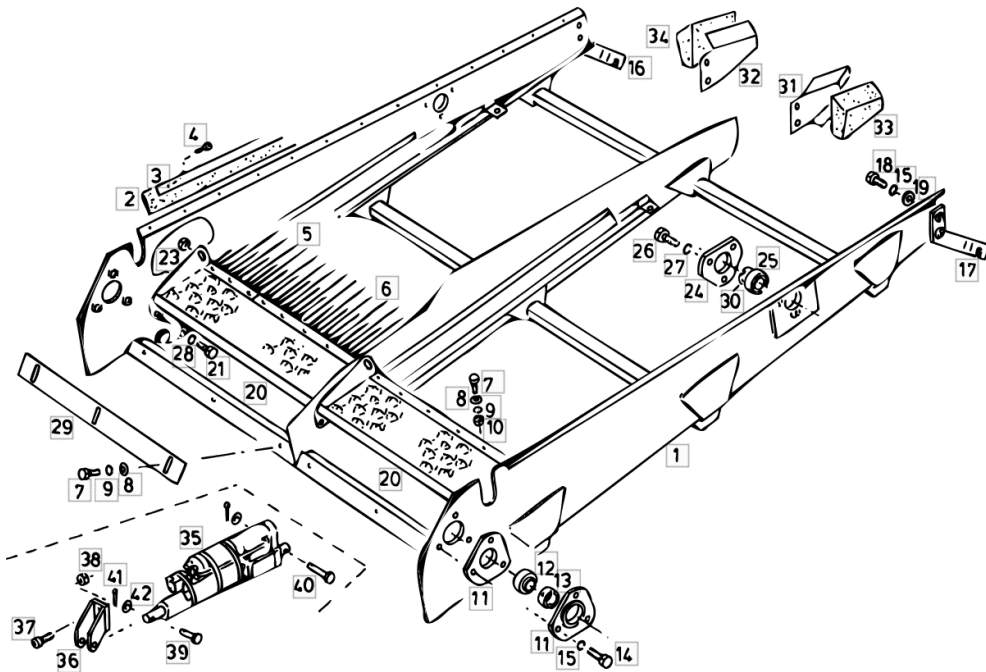
STEPPED FLOOR AND SIEVE BOX DRIVING PARTS STANDARD EQUIPMENT

Fig.	Code	QTY	Name
1	01137744	6	screw m 8 x 40
2	06500811	1	gear Z = 37
3	16039893	1	crank
4	01111313	2	screw m 10 x 55
5	01102800	10	washer 10.2
6	01102659	8	nut m 10, d934
7	06296518	1	pulley
8	01102799	6	washer 8, d128
9	01112824	6	nut m 8, d934
10	01143413	1	belt 3/17 x 2100
11	01139494	2	felt band 8 x 74 x 6,5
12	06512491	2	small cover
13	06512510	2	ring nut m 40 p.1.5
14	06512512	2	circlip 53 x 40.5
15	01175822	2	bearing 22208 E1-K
16	06512511	2	conical plug 35 h308
17	06512493	2	bearing housing Ø 80
18	01120697	2	lubricator bm 8 x 1
19	01112429	6	screw m 10 x 30, d933
20	06212458	2	dowel 10 x 8 x 50
21	01122873	2	felt band 35 x 47 x 5,0
22	06541341	1	shaft
24	06211993	2	ring 32 x 45 x 5,5
25	06542684	2	bearing housing m 20 p.1.5
26	01130026	2	bearing 22205 E1
27	06543685	2	ring
28	06214197	2	washer 10.5
29	01112407	2	screw m 10 x 20, d933
30	06542678	2	small cover
31	01120649	2	ring 54 d70951
32	01133798	2	nut m 20 x 1.5
33	16039220	2	rod
34	16039892	1	crank
35	06512531	2	bearing kpl.
36	01145087	1	chain 12A-1 x 102E
37	01141507	0	chain link 12A - 1
38	01141508	0	chain link 12A - 1
39	01176295	2	'o' ring 48x2
40	06213884	2	lubricator cm 6
41	16011695	2	bearing kpl. ☞ 16011695
46	01102800	24	washer 10.2
47	01102659	8	nut m 10, d934
48	16039884	1	link sx/lh/li

Section: STRAW WALKERS
TOP SCREENING DRAWER

Fig.	Code	QTY	Name
37	01126918	1	screw m 8 p.1.25 x 20 W / TERIS / TCS
38	01104944	2	nut m 8, d985 W / TERIS / TCS
39	16056520	1	pin W / TERIS / TCS
40	16056522	1	pin W / TERIS / TCS
41	01138902	2	split pin 2x16 W / TERIS / TCS
42	01107095	2	washer 6.4 W / TERIS / TCS



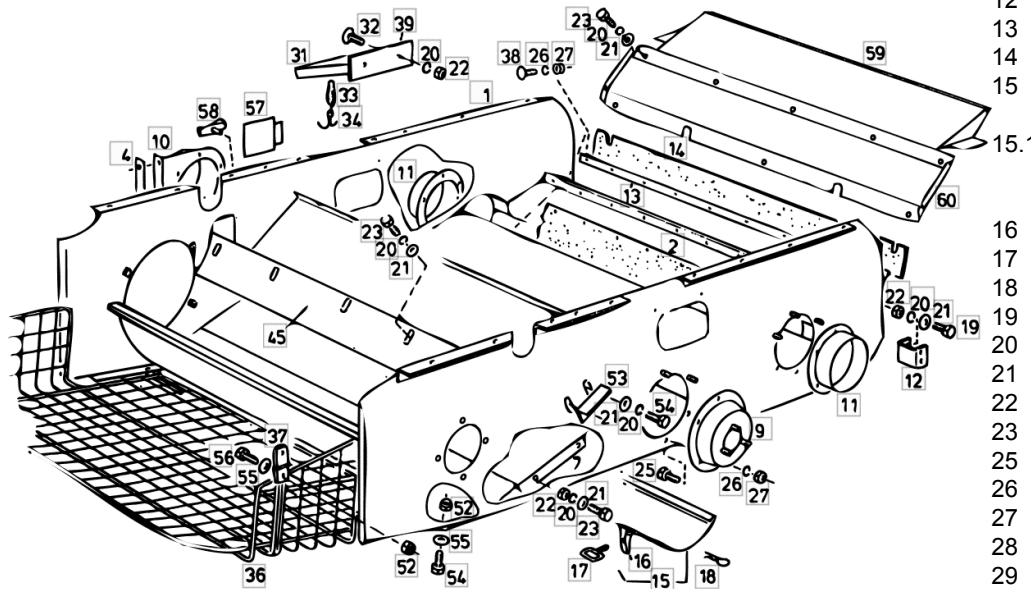
Section: STRAW WALKERS
GRAIN TANK


Fig.	Code	QTY	Name
1	16053771	1	grain pan
2	16002381	1	guard
4	16053833	3	shim
7	16001146	1	cover
8	16005865	1	lamination
9	16035335	1	cap
10	16012507	1	connection
11	06288094	2	shim
12	06283473	3	bracket
13	06256872	2	lamination
14	06256871	2	guard
15	06256879	2	lamination
15.1	06526468	2	STANDARD EQUIPMENT cover
16	06252860	4	stop
17	06253194	4	clevis
18	06264206	4	roll pin
19	01112307	0	screw m 8 p.1.25 x 15, d933
20	01102799	0	washer 8, d128
21	01107163	0	washer 9, d126
22	01112824	0	nut m 8, d934
23	01112322	0	screw m 8 p.1.25 x 20
25	01103316	0	screw m 6 p.1.0 x 16
26	01102797	0	washer 6, d128
27	01112813	0	nut m 6
28	01107158	0	washer 6.6, d125
29	01114357	0	nut m 6, d985
30	01112266	0	screw m 6 x 22
31	06295923	1	support
32	01108524	2	screw m 8 p.1.25 x 20
33	06215507	1	spring
34	06232540	1	clevis
36	16021230	1	grille (STD)
36.1	16029014	1	grille W / BALANCE
37	16053905	1	link
38	06214132	0	screw m 6 x 15, d921
39	06522871	1	shim
45	16021257	1	lamination
52	01104944	0	nut m 8, d985
53	16021686	2	angular
54	01112333	4	screw m 8 x 25, d933

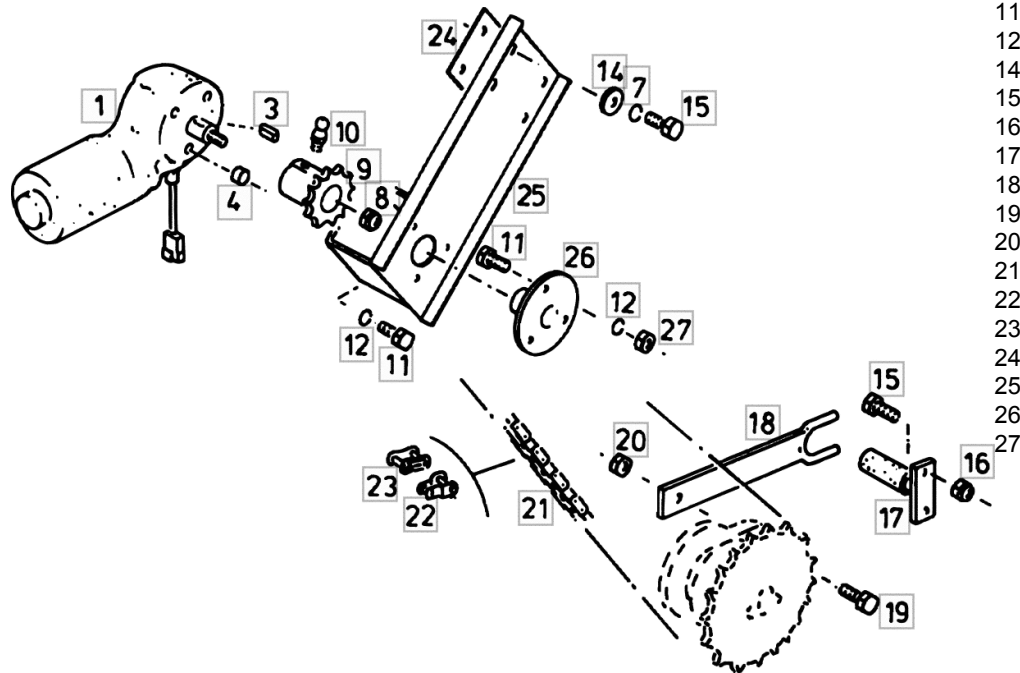
ELECTRIC VARIATOR ADJUSTMENT DEVICE

Fig.	Code	QTY	Name
1	16045076	1	electric motor
3	01139545	1	dowel 2 x 3 x 10
4	06513113	3	spacer
7	01102800	4	washer 10.2
8	01114357	1	nut m 6, d985
9	06513112	1	chain wheel Z = 11
10	01120692	1	lubricator am 6
11	01112264	6	screw m 6 x 20, d933
12	01102797	12	washer 6, d128
14	01127538	4	washer 10.5
15	01112418	6	screw m 10 x 25, d933
16	06209768	2	nut m 10, d985
17	06512932	1	support
18	16003984	1	bracket
19	01112333	1	screw m 8 x 25, d933
20	01104944	1	nut m 8, d985
21	01145072	1	chain 085-1x 68-E
22	01139295	0	link
23	06213144	0	chain link 085 1e
24	06530423	0	small plate
25	16003966	1	support
26	06541374	1	disc
27	01112813	3	nut m 6

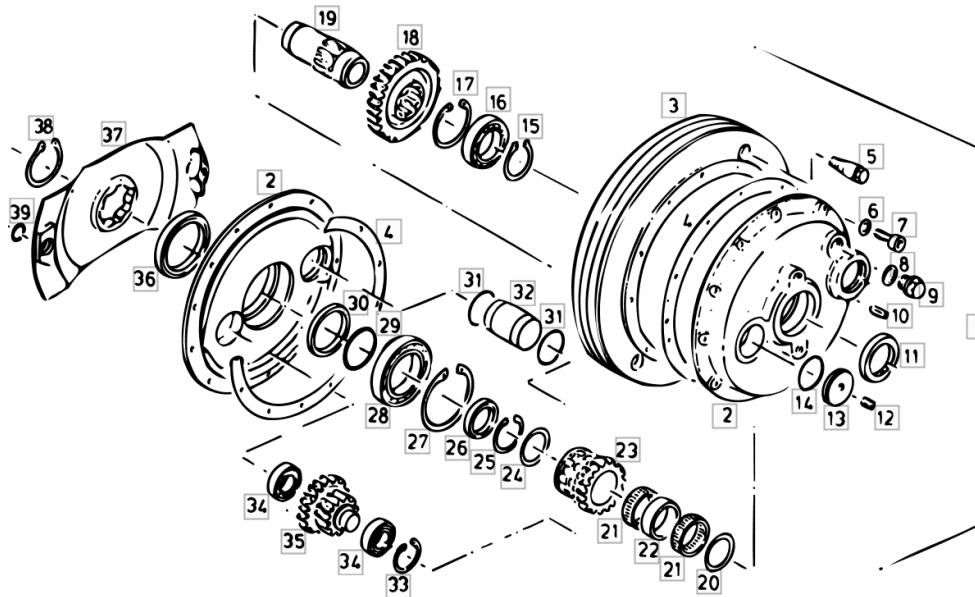
Section: THRESHING MACHINERY
COUNTER-BEATER GEAR UNIT W


Fig.	Code	QTY	Name
1	06539973	1	reduction kpl. ☞ 06539973
2	06542620	1	body
3	06542635	1	pulley
4	06542632	2	gasket
5	06542634	1	screw
6	01107283	12	washer 8.2
7	01124457	12	screw m 8 x 45
8	01118764	1	ring 26.5
9	01118985	1	screw am26x1,5 d7604
10	01143135	1	pin
11	01160697	1	'o' ring 70x90x10
12	01103907	1	pin 8x8 d551
13	06542621	1	small cover
14	01164577	1	'o' ring 56x2
15	01107779	1	circlip
16	01108993	1	ball bearing
17	01107863	1	circlip
18	06542623	1	gear z = 33
19	06542622	1	shaft
20	06542630	1	shim 68x0,5
21	16048680	2	ring k 68x75x21
22	16048681	1	bushing
23	16048679	1	gear z = 25
24	06542624	1	shim 60x1
25	01107852	1	ring
26	01160798	1	'o' ring 60x75x8
27	01107870	1	circlip
28	01109007	1	ball bearing
29	01173702	1	'o' ring 80x5
30	06542627	1	bushing
31	01169588	2	'o' ring 65x2
32	06542631	1	small block
33	01107844	1	ring 62 x 2
34	01143136	2	roller bearing
35	06542629	1	gear z = 14 / z = 22
36	06542628	1	'o' ring 110x140x12
37	06542633	1	cover
38	01107788	1	circlip
39	01176476	1	'o' ring 25x5

CLICK HERE TO **DOWNLOAD** THE COMPLETE MANUAL

- Thank you very much for reading the preview of the manual.
- You can download the complete manual from: www.heydownloads.com by clicking the link below



- Please note: If there is no response to CLICKING the link, please download this PDF first and then click on it.

CLICK HERE TO **DOWNLOAD** THE COMPLETE MANUAL