

All rights reserved by **CNHi**.

The information contained in this catalogue is intended to be of a general nature only. **CNHi** may at any time and from time to time, for technical or other necessary reasons, modify any of the details or specifications of the product described in this catalogue.

To be sure of getting accurate, detailed and up-to-date information, an intending buyer should consult his nearest **CNHi** dealer or distributor.

Single item numeration method used in this catalogue may not be used without written consent from **CNHi**.

CLICK HERE TO **DOWNLOAD** THE COMPLETE MANUAL

- Thank you very much for reading the preview of the manual.
- You can download the complete manual from: www.heydownloads.com by clicking the link below



- Please note: If there is no response to CLICKING the link, please download this PDF first and then click on it.

CLICK HERE TO **DOWNLOAD** THE COMPLETE MANUAL

SECTION INDEX

UPPERSTRUCTURE CHASSIS

1.001	001	UNDERCARRIAGE, DOZER BLADE
1.002	001	UNDERCARRIAGE, TRAVEL DRIVE
1.003	001	TOOLS WITH DEVICE FOR HANDLING BY CRANE
2.001	001	UPPERCARRIAGE
2.002	001	OIL TANK
2.003	001	DIESEL TANK
2.004	001	OPERATOR'S CAB - GLASSES, MOUNTING PARTS
2.005	001	OPERATOR'S CAB - EQUIPMENT
2.006	001	OPERATOR'S CAB - EQUIPMENT, ELECTRICAL INSTALLAT.
2.007	001	COVER, DRIVER'S SEAT
2.008	001	COVER, ENGINE COVER
2.009	001	DRIVER'S SEAT
2.010	001	VALVE CONTROL MECHANIC
2.011	001	DECALS
2.012A	001	SWING EQUIPMENT
2.012B	001	BALL BEARING MOUNTING INSTRUCTIONS PIC ONLY
2.013	001	COVER SET - UPPERCARRIAGE
2.014	001	CAB'S ROOF, WORKING FLOOD LIGHT
3.001	001	KING POST
3.002	001	DIGGING ATTACHMENT
4.002	001	BUCKET - DIRECT MOUNTED
5.001	001	ENGINE ASSEMBLY, PUMP ASSEMBLY
5.002	001	MOUNTING PARTS - ENGINE
5.003	001	ACCELERATOR, HEATING
6.001	001	HYDRAULIC INSTALLATION - CIRCULATION
6.002	001	HYDRAULIC INSTALLATION - SERVO CONTROLS
6.003	001	HYDRAULIC INSTALLATION - SLEWING, ARTICULATION
6.004	001	HYDRAULIC INSTALLATION - DRIVE, DOZER BLADE
6.005	001	HYDRAULIC INSTALLATION - WORKING EQUIPMENT
6.006	001	HYDRAULIC INSTALLATION - ADD. OUTLET
6.007	001	HYDRAULIC INSTALLATION - PRESSURELESS RETURN LINE
7.001A	001	VALVE BANK
7.001B	001	VALVE BANK INSTALLATION INSTRUCTIONS PIC ONLY

2.001

001

p1

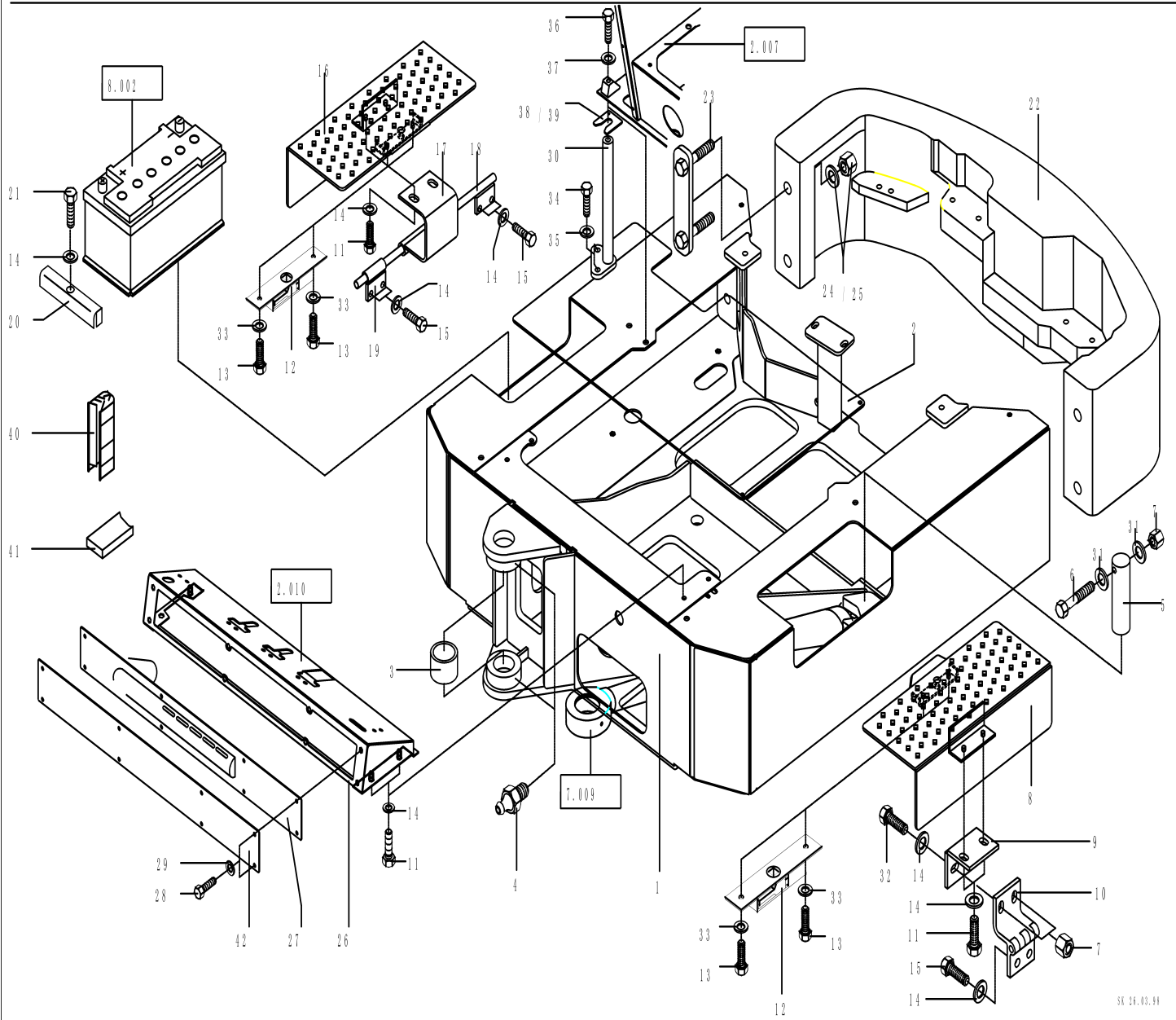
10/201
8

UPPERCARRIAGE

Bildtafel 2.001
Diagram 2.001
Planche 2.001

Überwagen
Uppercarriage
Tourelle

EC 25



SK 54.03.99

2.004

001

p1

10/201
8

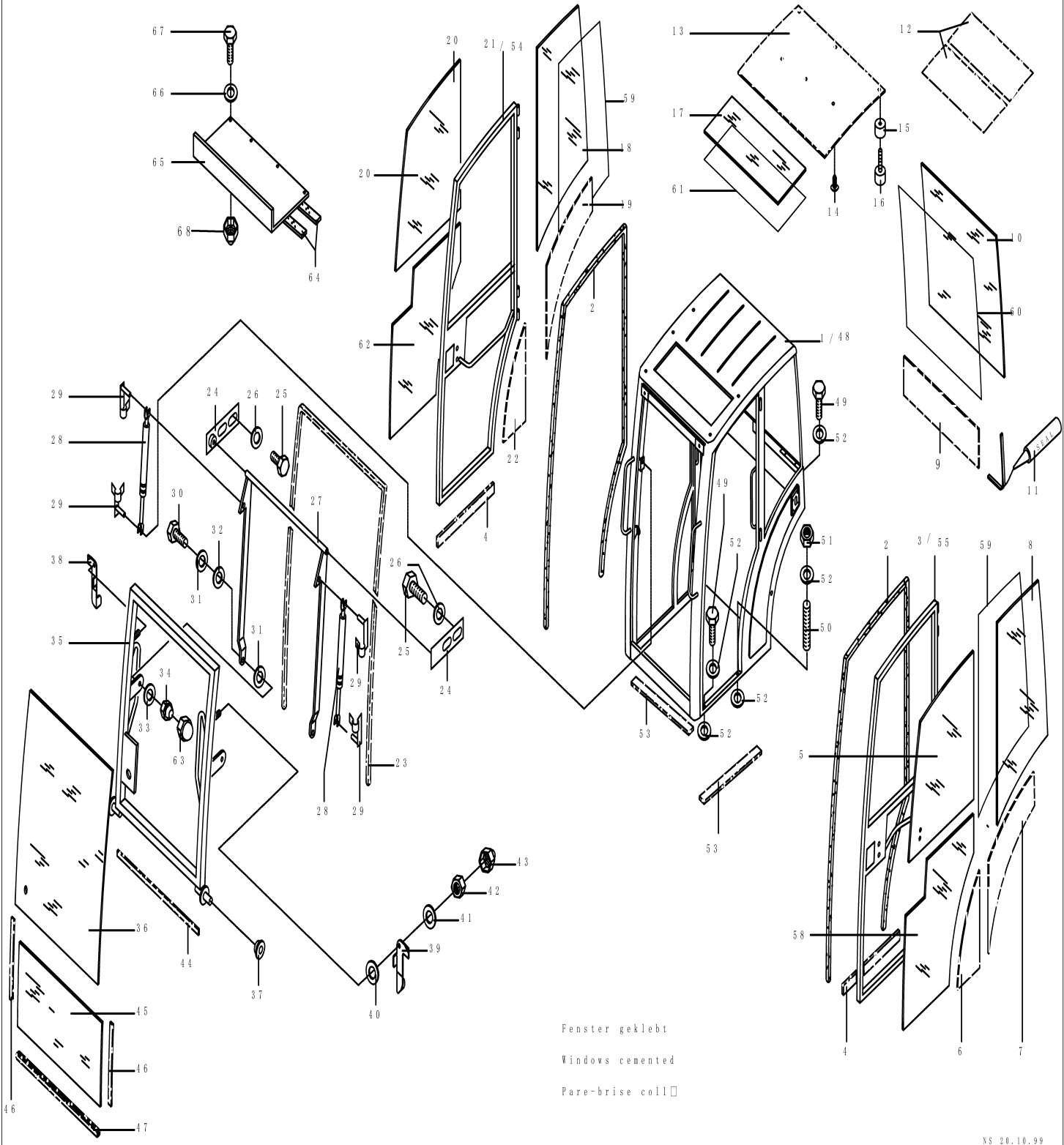
OPERATOR'S CAB - GLASSES, MOUNTING PARTS

Bildtafel 2.013 | Fahrerkabine - Verglasung, Befestigungsteile

Diagram 2.013 | Operator's cab - glasses, mounting parts

Planche 2.013 | Cabine - vitres, piéces de montage

EC 15



2.006

001

p1

10/201
8

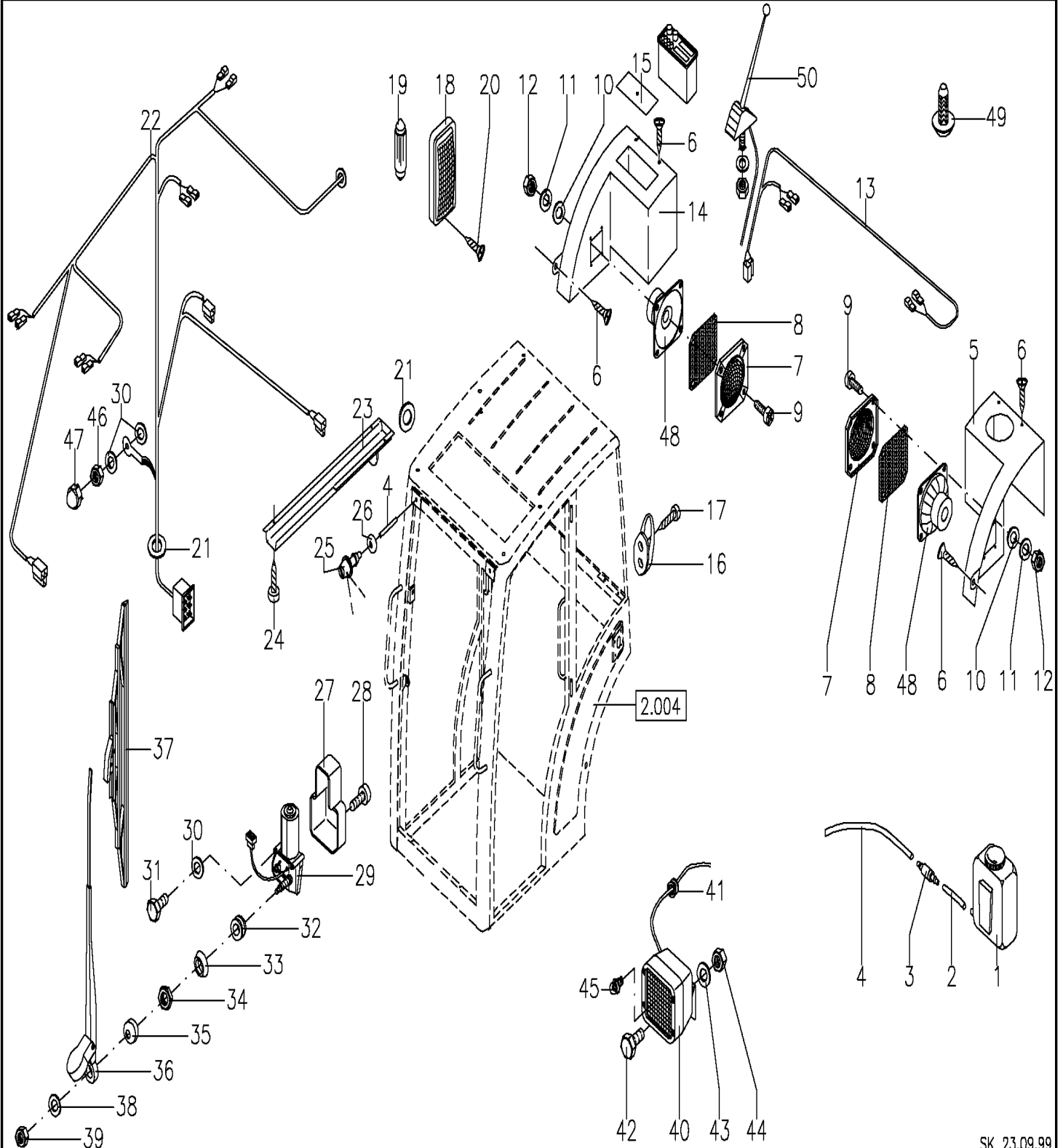
OPERATOR'S CAB - EQUIPMENT, ELECTRICAL INSTALLAT.

Bildtafel 2.006 Fahrerkabine - Ausstattung, Elektroinstallation

Diagram 2.006 Operator's cab - equipment, electric installation

Planche 2.006 Cabine - équipement, installation électrique

EC 25



2.008

001

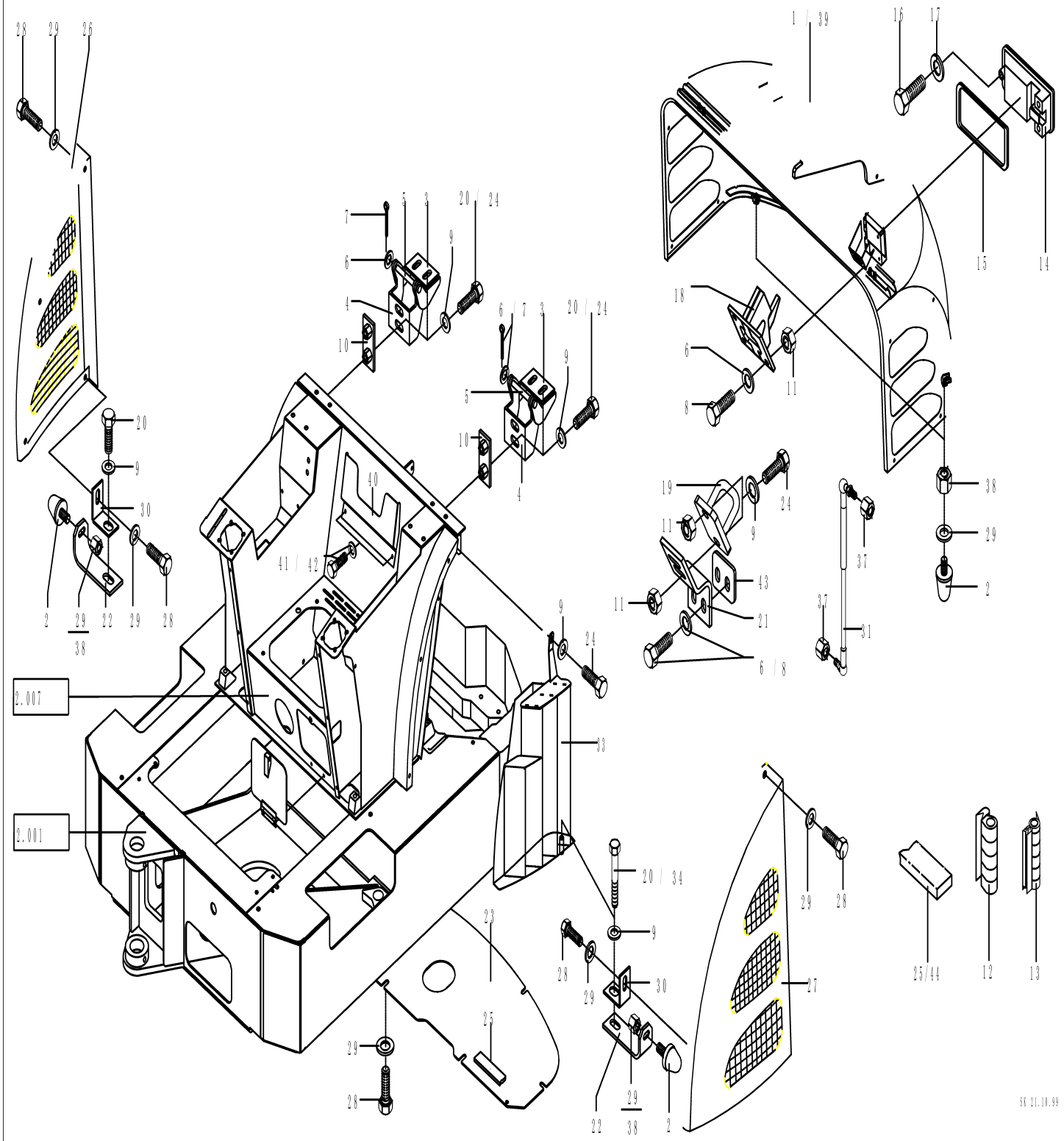
p1

10/201
8

COVER, ENGINE COVER

Bildtafel	2.008	Abdeckung, Motorhaube
Diagram	2.008	Cover, engine cover
Planché	2.008	Couverture, capot moteur

EC 15



2.010

001

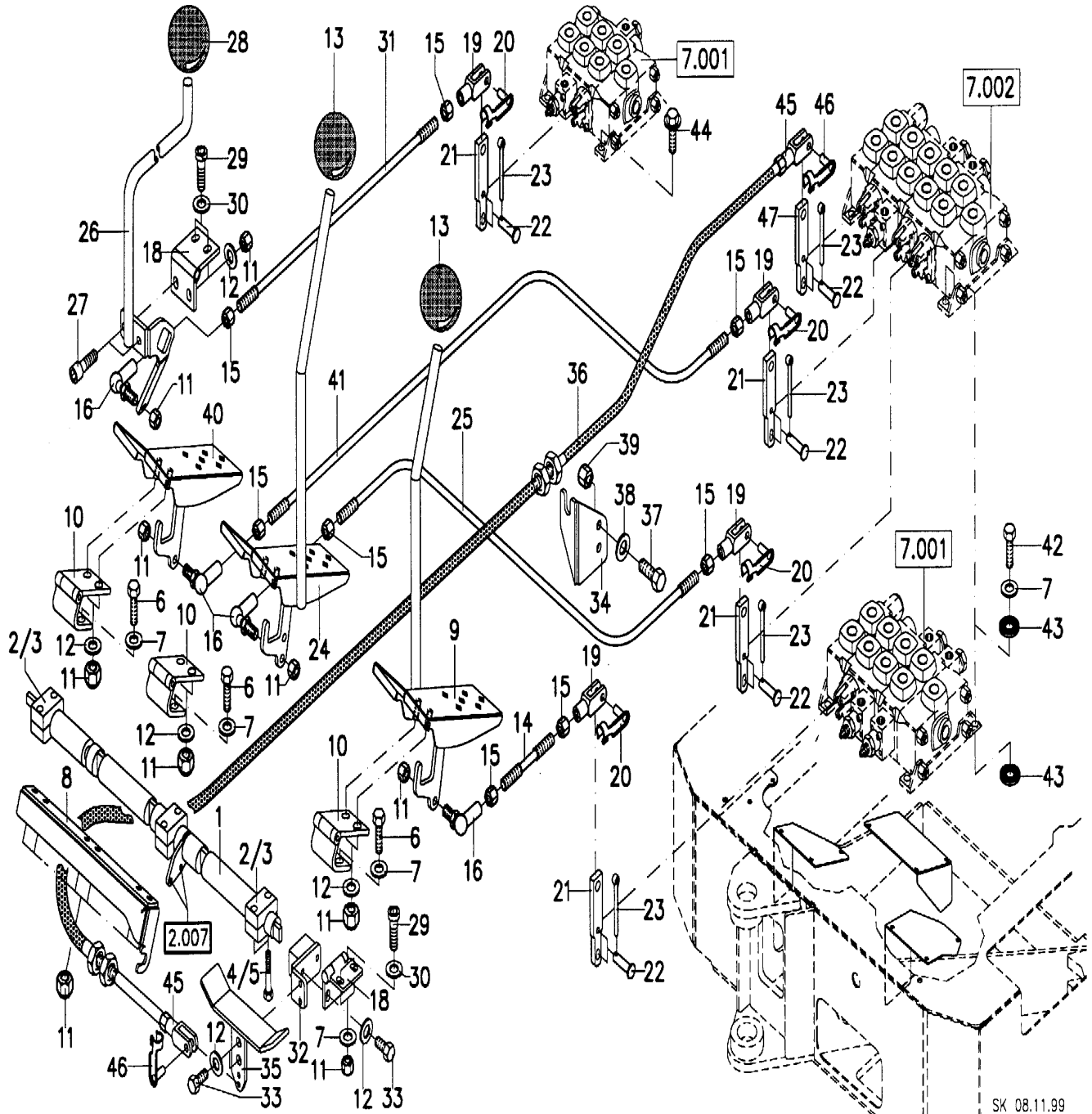
p2

10/201
8

VALVE CONTROL MECHANIC

Bildtafel 2.010 | ventilbetätigung mechanisch
Diagram 2.010 | Valve control mechanic
Planche 2.010 | Commande de distributeur mecanique

EC 25



2.013

001

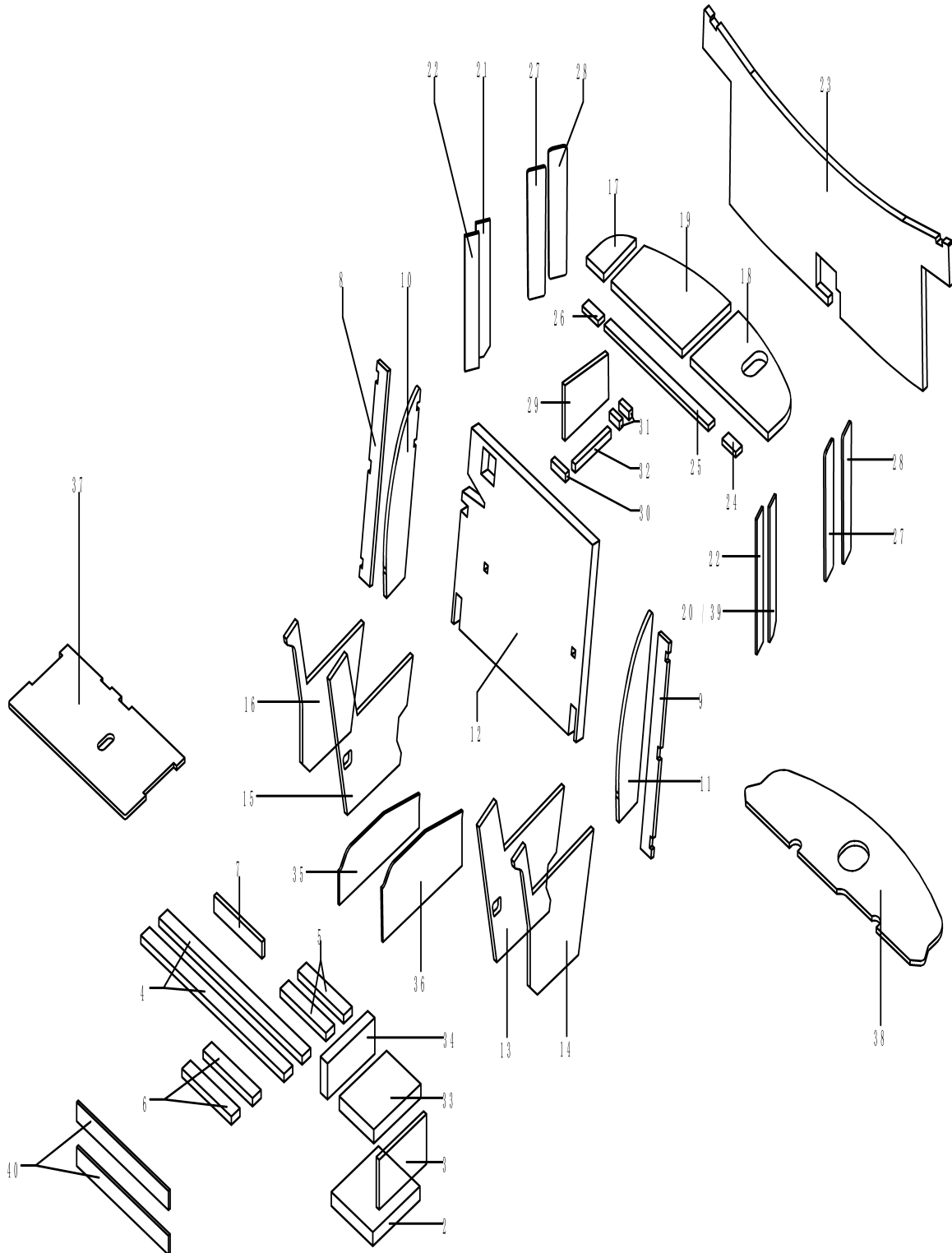
p1

10/201
8

COVER SET - UPPERCARRIAGE

Hilftafel	2.013	Ankleidungssatz - Oberwagen
Diagram	2.013	Cover set - uppercarriage
Planche	2.013	Jeu de revêtement - tourelle

EC 25



3.001

001

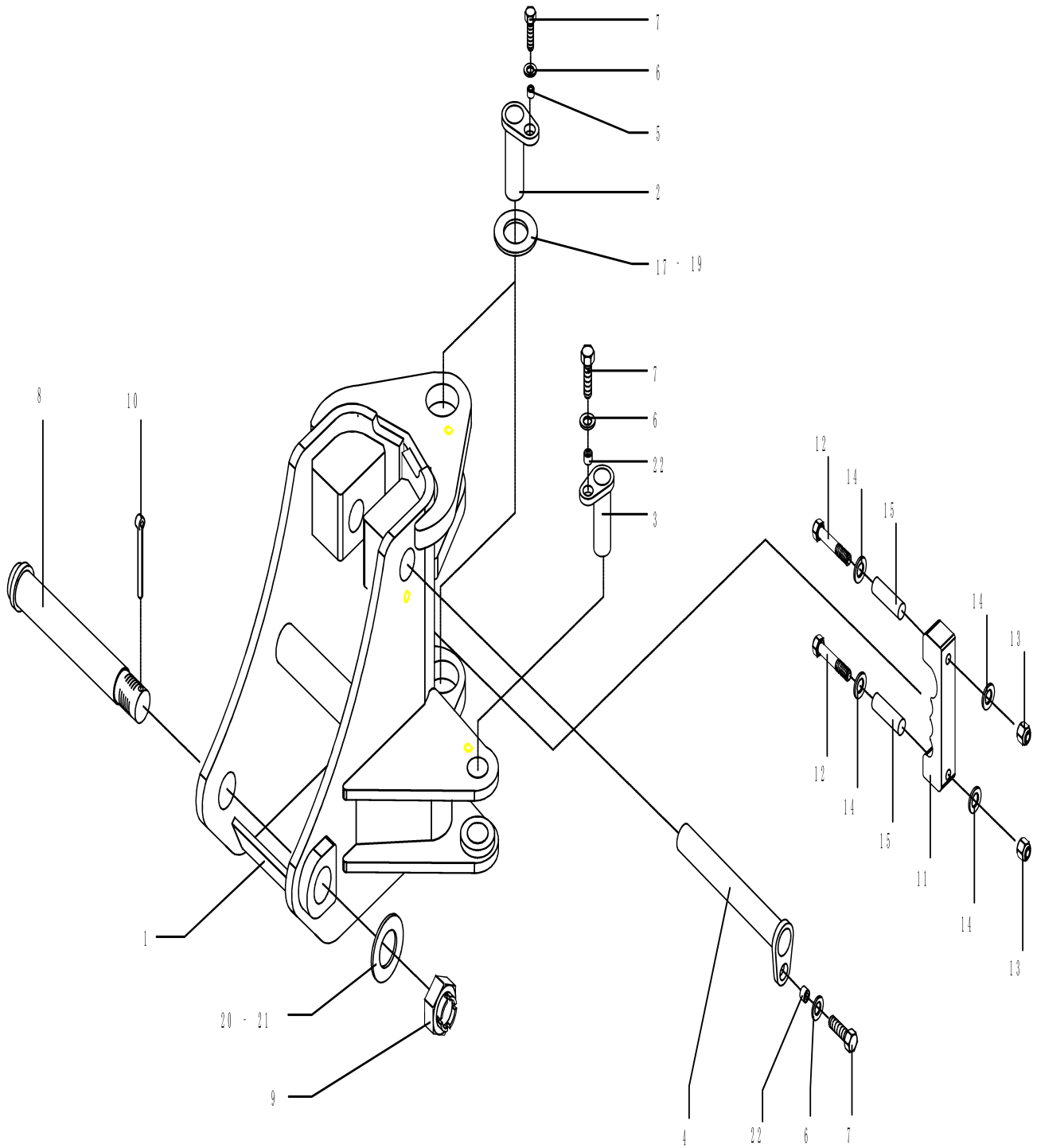
p1

10/201
8

KING POST

Billetel	3.001	SchwenksDale
Diagram	3.001	King post
Planche	3.001	Pivot

EC 25



CLICK HERE TO **DOWNLOAD** THE COMPLETE MANUAL

- Thank you very much for reading the preview of the manual.
- You can download the complete manual from: www.heydownloads.com by clicking the link below



- Please note: If there is no response to CLICKING the link, please download this PDF first and then click on it.

CLICK HERE TO **DOWNLOAD** THE COMPLETE MANUAL

5.001

001

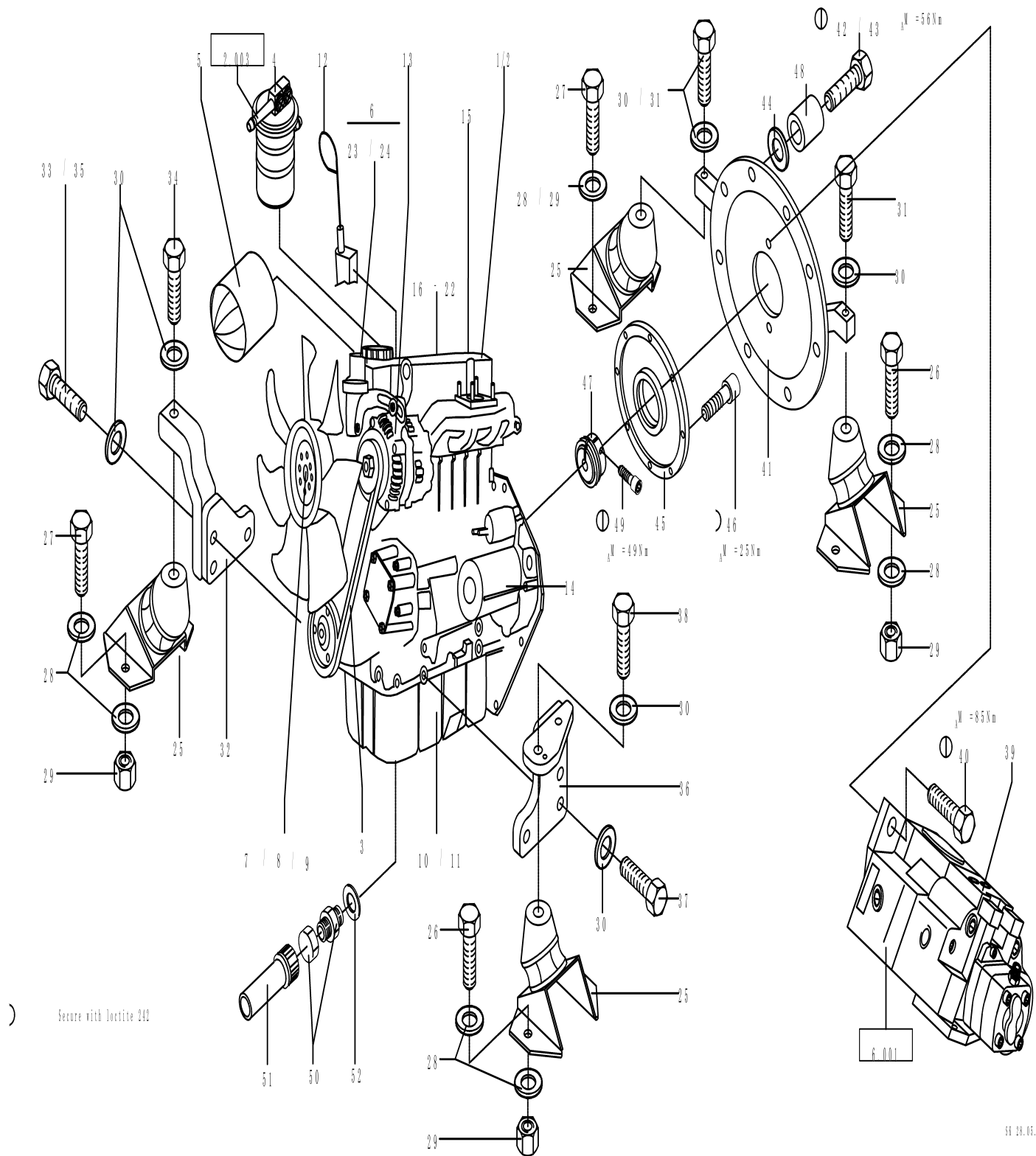
p2

10/201
8

ENGINE ASSEMBLY, PUMP ASSEMBLY

Bildtafel	5.001	Motoreinbau, Pumpenanbau
Diagram	5.001	Engine assembly, pump assembly
Planche	5.001	Implantation moteur, implantation pompe

EC 15



6.001

001

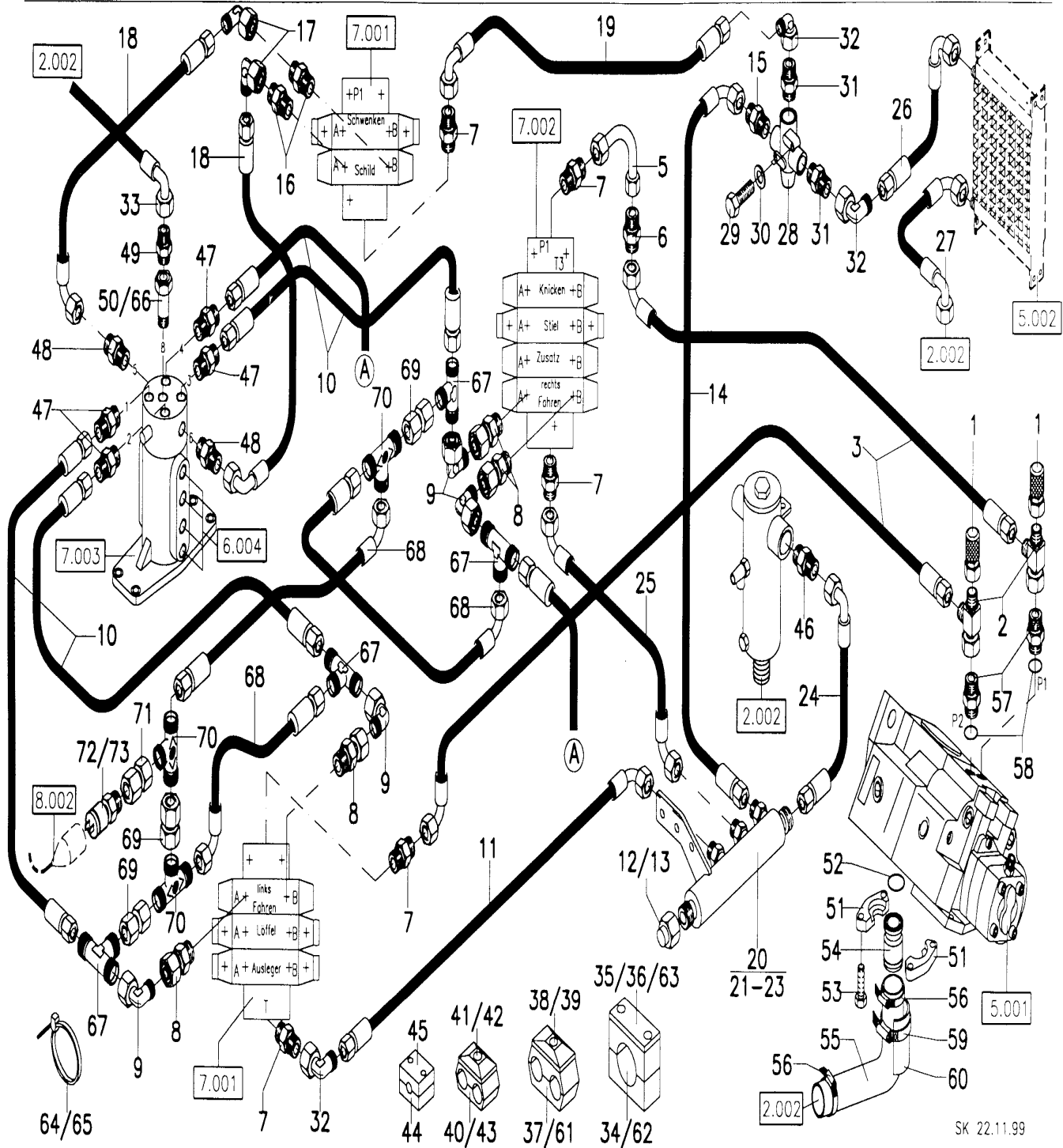
p2

10/201
8

HYDRAULIC INSTALLATION - CIRCULATION

Bildtafel 6.001 | Hydraulikinstallation - Umlauf
Diagram 6.001 | Hydraulic installation - circulation
Planche 6.001 | Installation hydraulique - circuit

EC 25



SK 22.11.99

6.004

001

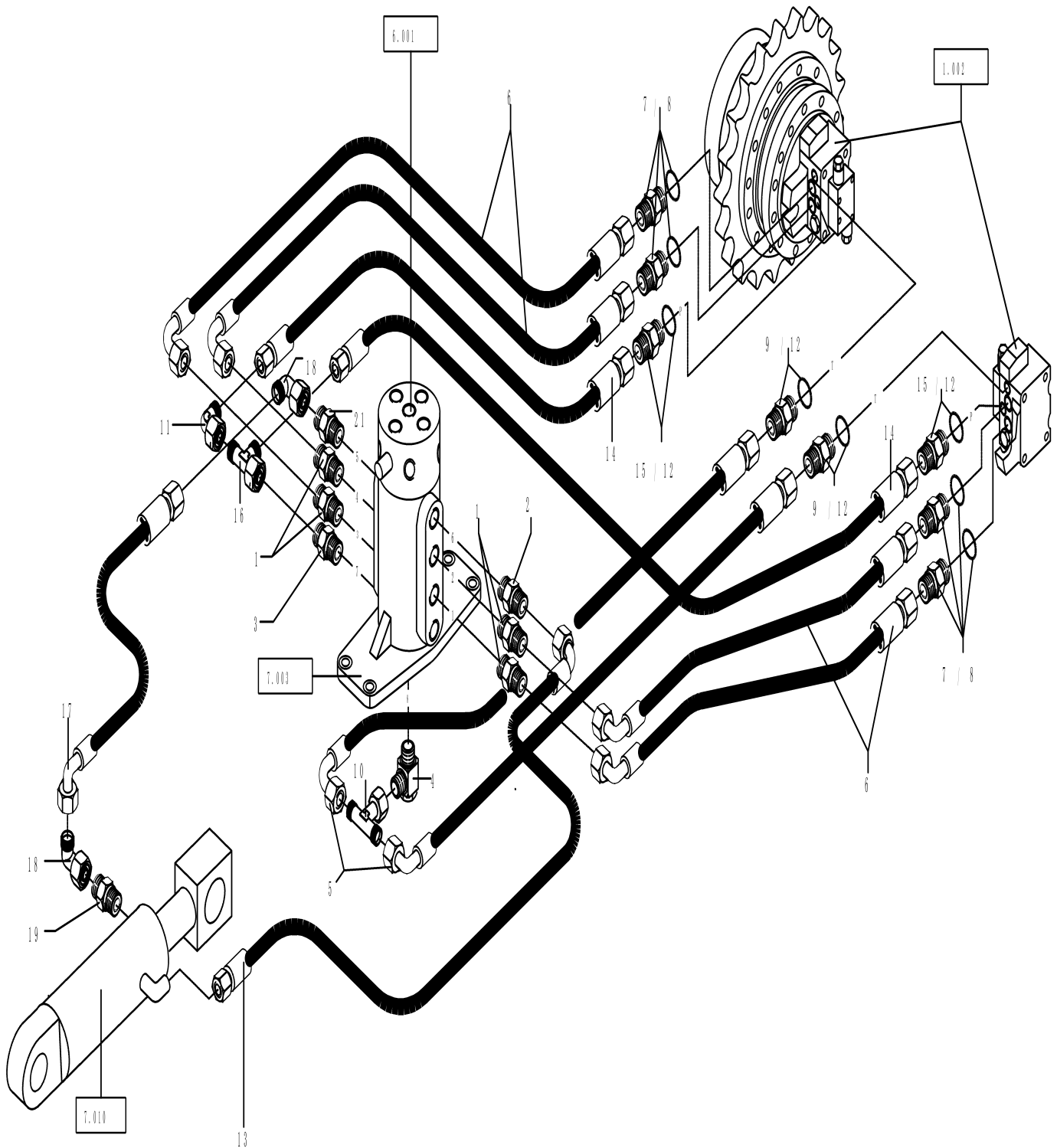
p1

10/201
8

HYDRAULIC INSTALLATION - DRIVE, DOZER BLADE

Bildtafel	6.004	Hydraulikinstallation Fahren, 1/Übersicht
Diagram	6.004	Hydraulic installation - drive, dozer blade
Plaque	6.004	Installation hydraulique - translation, lame

EC 25



7.001A

001

p1

10/201
8

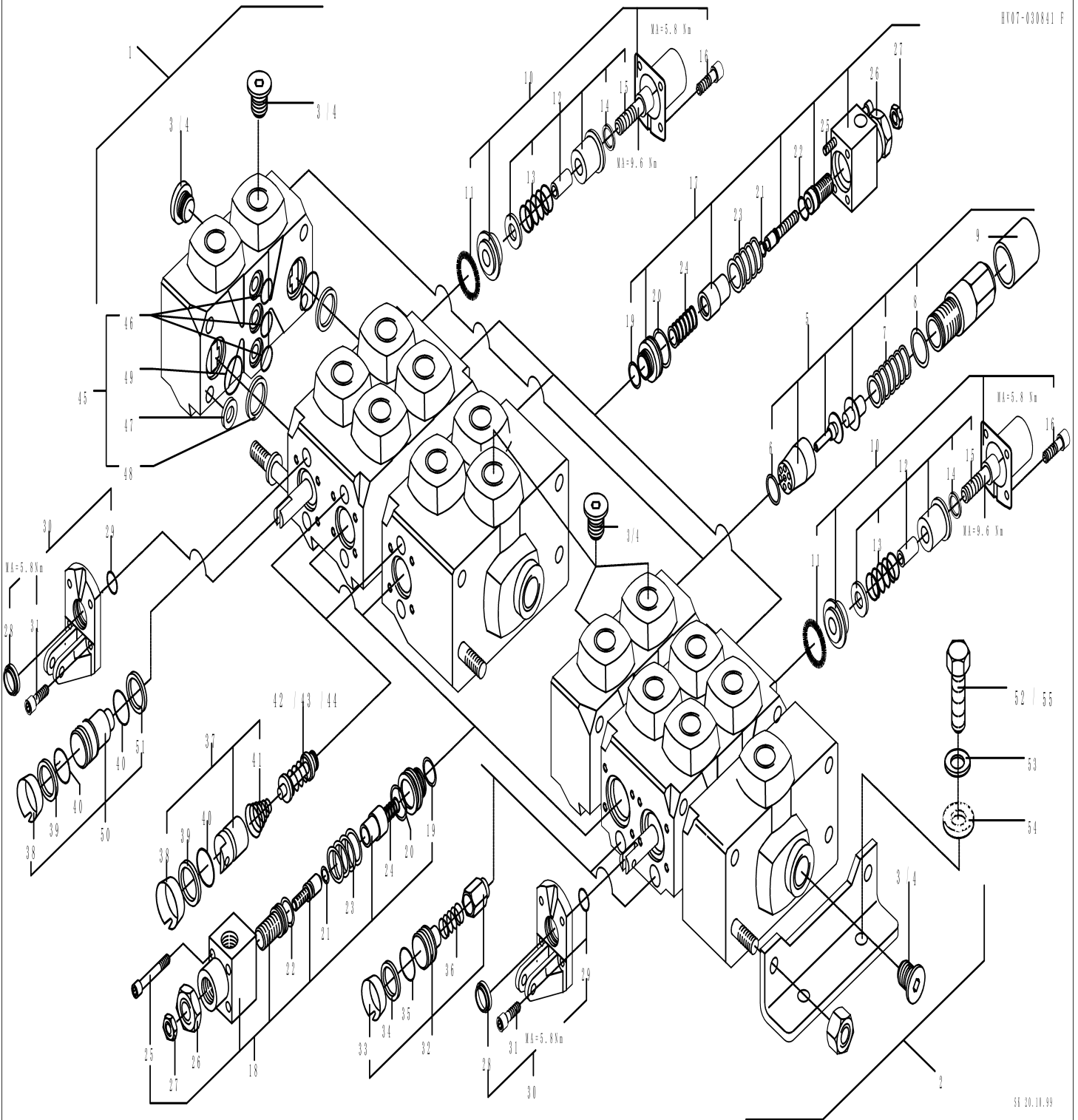
VALVE BANK

Hilftafel	7.001	Blocksteuergerat	3 u. 2 Sektionen
Diagram	7.001	Valve bank	3 u. 2 sections
Planche	7.001	Distributeur	3 u. 2 sections

EC 25

HV07-020856 A

HV07-030841 F



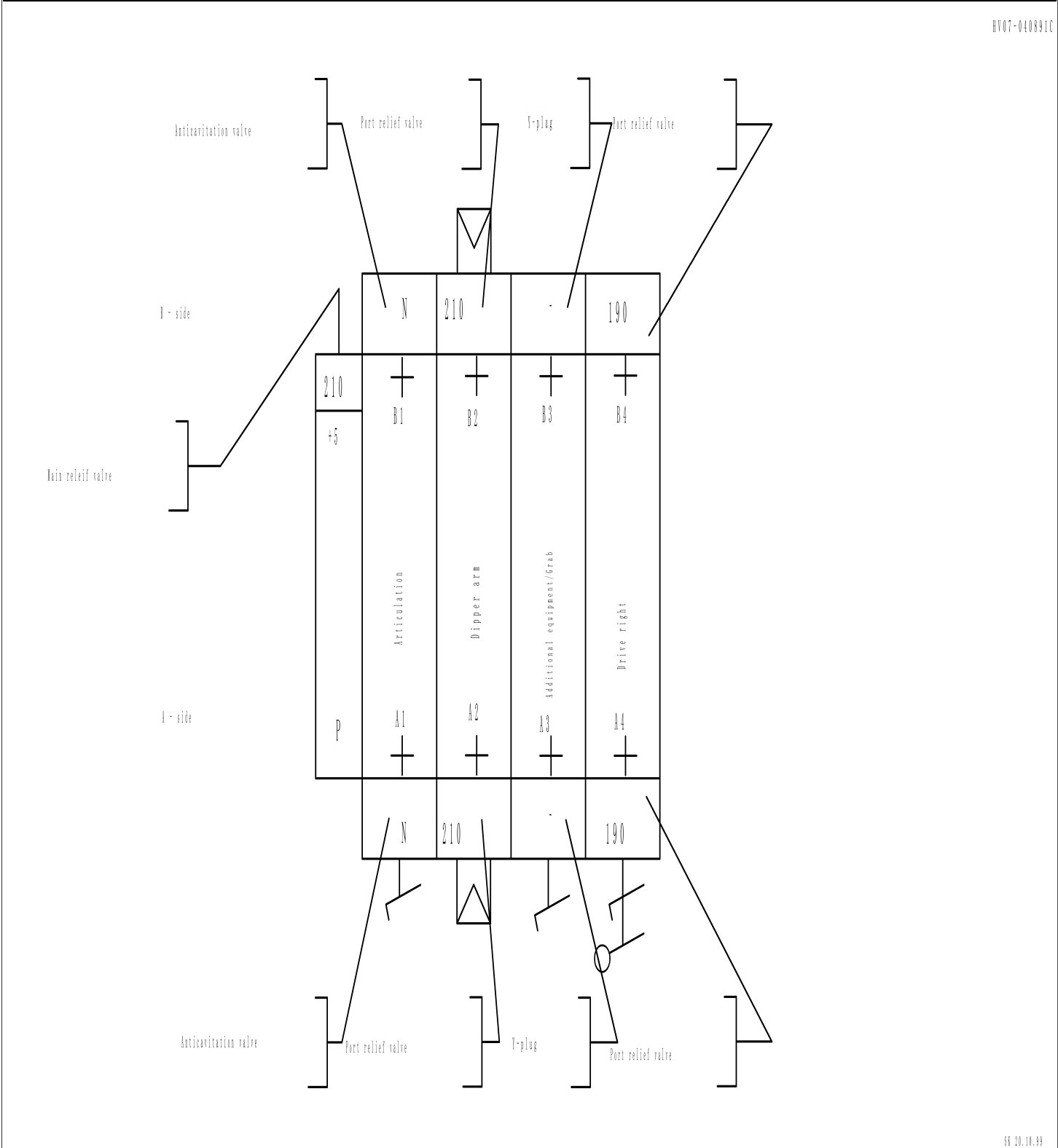
54 20.10.99

7.002B	001	p1	10/201 8
---------------	-----	----	-------------

VALVE BANK INSTALLATION INSTRUCTIONS PIC ONLY

Bildtafel	7.002	Blocksteuerverg.	4 Sektionen	
Diagram	7.002	Valve bank	4 sections	
Planche	7.002	Distributeur	4 sections	EC 25

HV07-040891C



7.009

001

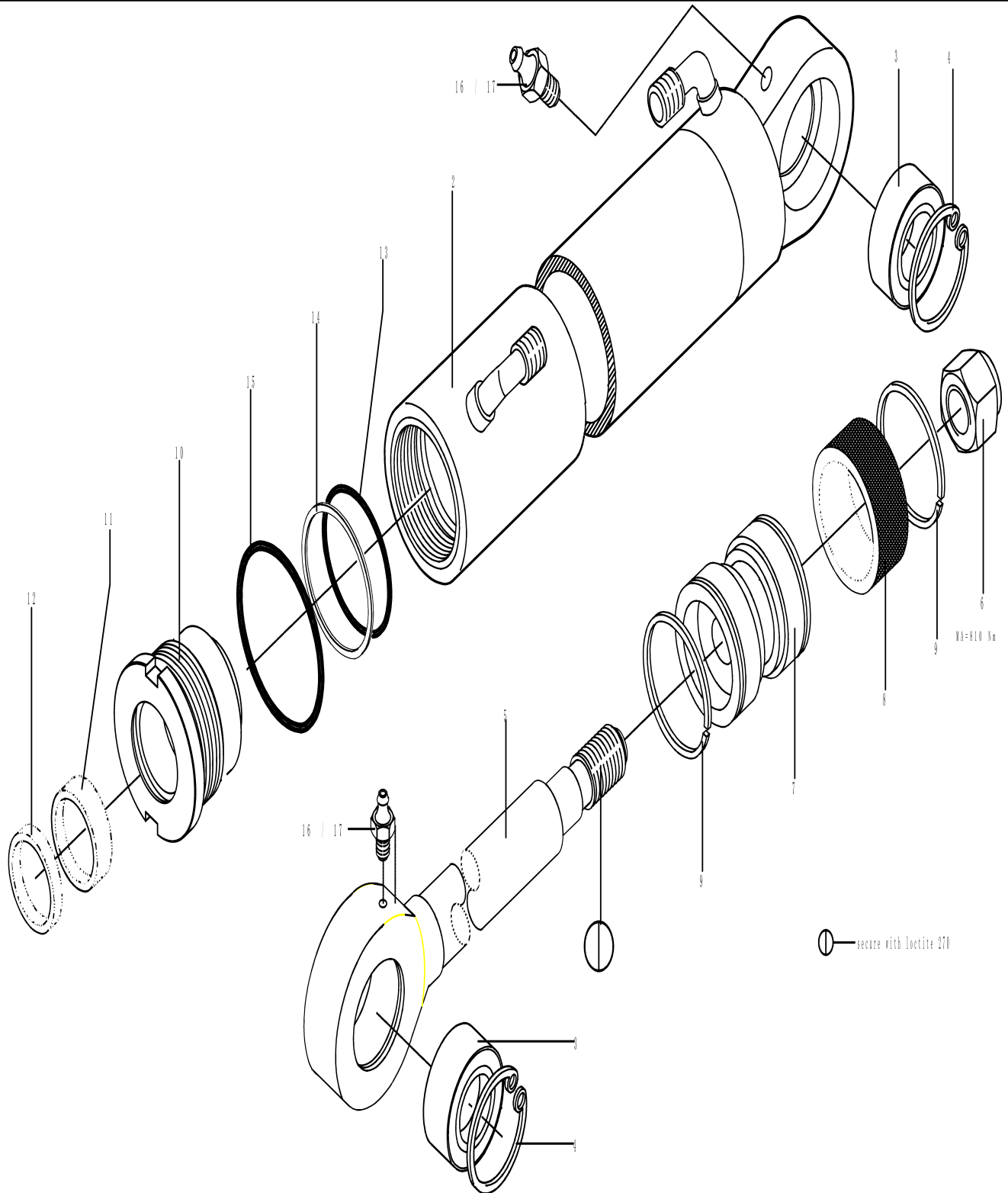
p1

10/201
8

HYDRAULIC CYLINDER - ARTICULATION

Bildtafel	7.009	Hydraulikzylinder - Knicken 2 80/44
Diagram	7.009	Hydraulic cylinder - articulation
Planche	7.009	Cylindre hydraulique - articulation

EC25



7.013

001

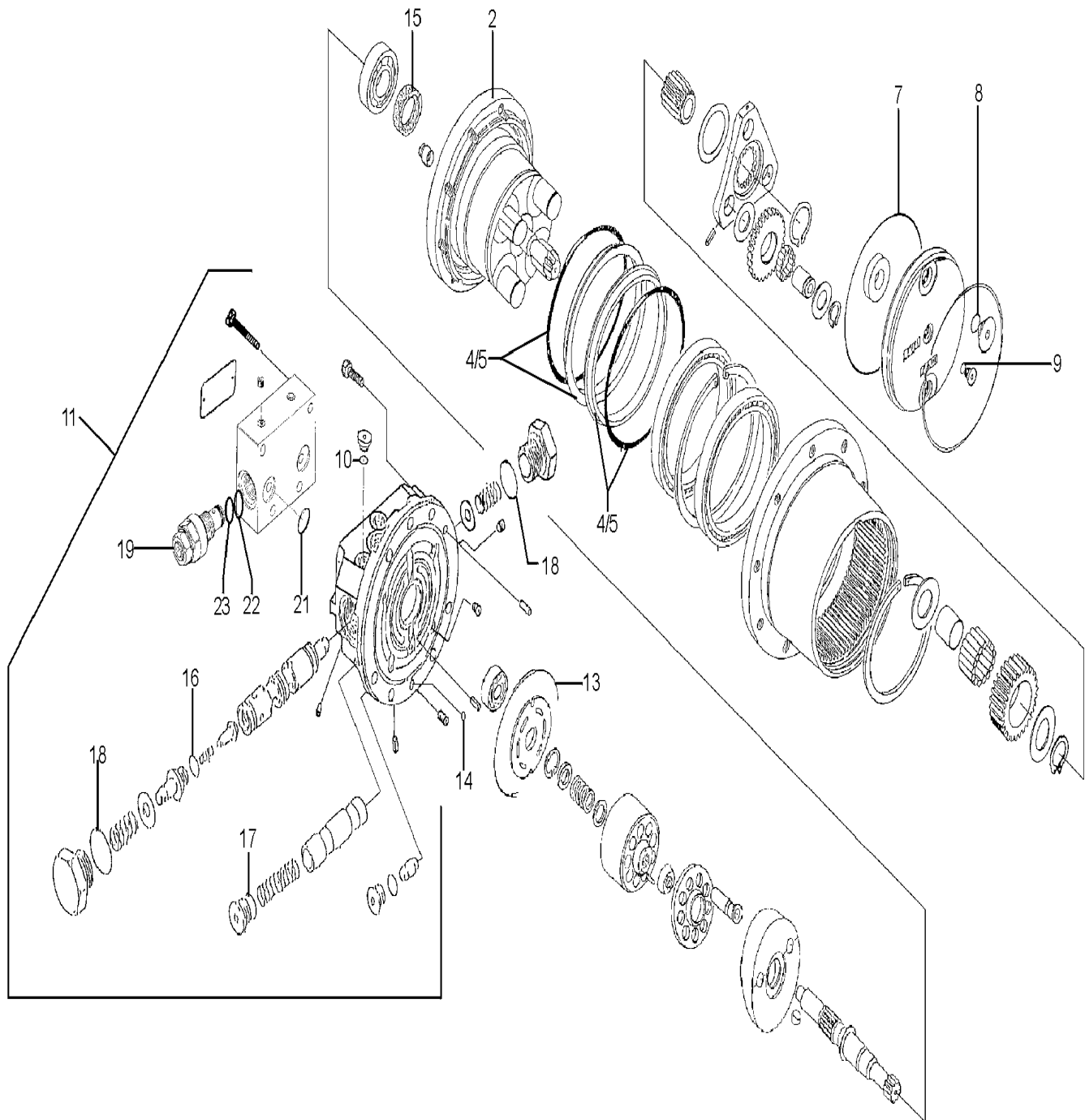
p1

10/201
8

TRAVEL GEAR

Bildtafel 7.013 | Fahrmotor
Diagram 7.013 | Travel gear
Planche 7.013 | Réducteur

EC 25



8.002

001

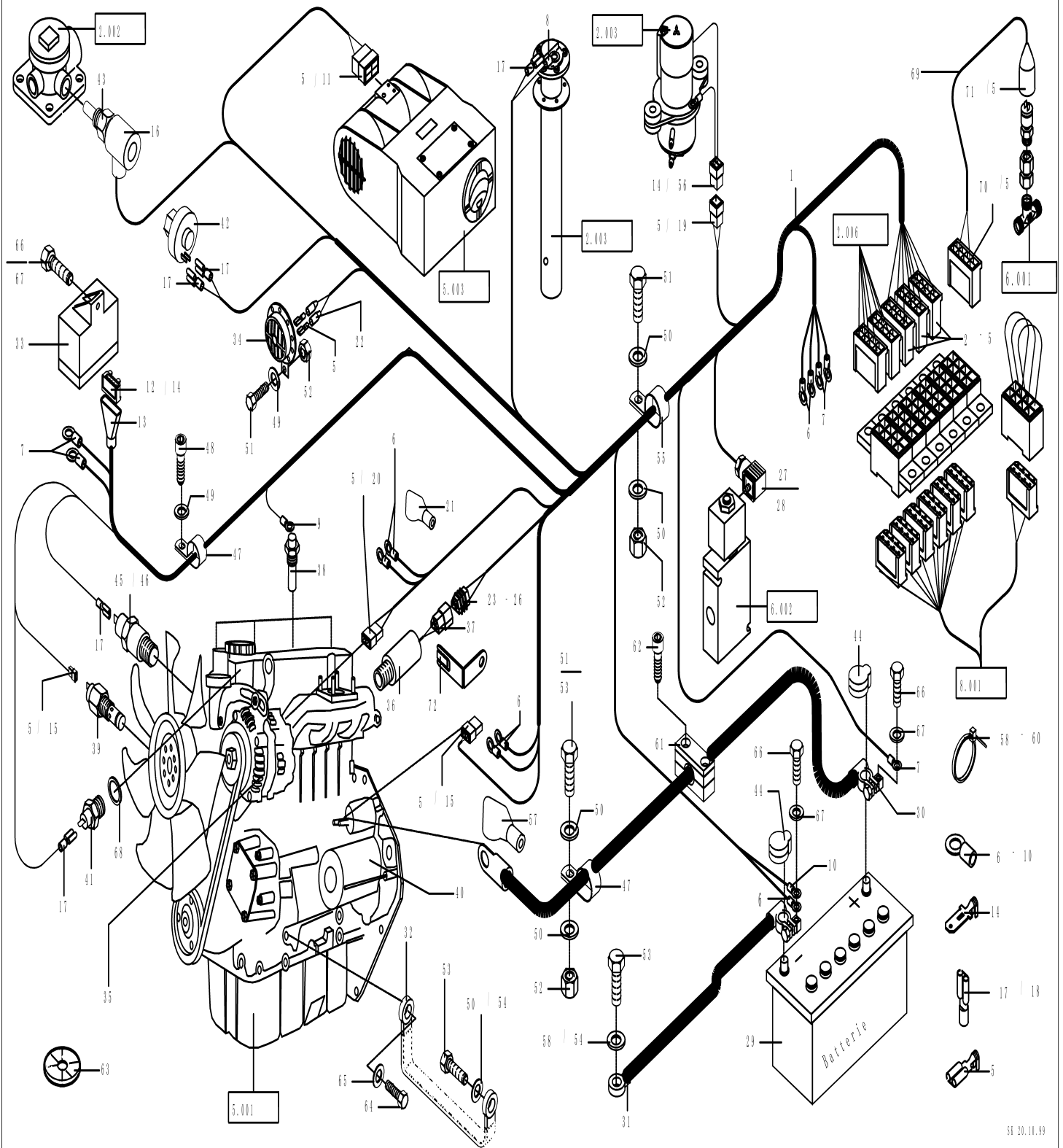
p2

10/201
8

ELECTRICAL INSTALLATION - UPPERCARRIAGE, ENGINE

Titel 8.002 Elektroinstallation - Oberwagen, Motor
Diagram 8.002 Electrical installation - uppercarriage, engine
Planche 8.002 Installation électrique - tourelle, moteur

EC 25



INDEX - INDICE - INDEX - ZAHLENVERZEICHNIS - INDICE - INDICE - INDHOLD - INHOUD

Number	Figure	Sequence	Ref.	Number	Figure	Sequence	Ref.
73183771	7.004	001	11	73183811	6.001	001	26
73183773	1.002	001	11	73183813	6.001	001	27
73183773	7.005	001	11	73183815	6.007	001	19
73183773	7.006	001	11	73183816	6.007	001	9
73183773	7.009	001	11	73183817	6.007	001	18
73183773	7.010	001	9	73183818	6.001	001	24
73183775	7.004	001	14	73183819	6.004	001	13
73183775	7.006	001	14	73183820	6.004	001	17
73183776	7.005	001	14	73183822	6.004	001	5
73183776	7.009	001	14	73183827	6.001	001	10
73183777	7.010	001	12	73183828	6.004	001	6
73183778	2.002	001	22	73183829	6.003	001	1
73183779	2.002	001	23	73183833	6.001	001	18
73183780	6.001	001	58	73183834	6.003	001	3
73183780	6.003	001	25	73183837	6.003	001	10
73183780	6.004	001	7	73183837	6.003	001	18
73183781	7.005	001	15	73183842	6.005	001	29
73183781	7.009	001	15	73183843	6.005	001	28
73183782	2.002	001	21	73183843	6.006	001	8
73183784	6.003	001	27	73183844	6.001	001	3
73183784	6.004	001	12	73183845	6.002	001	14
73183787	2.002	001	4	73183846	6.001	001	33
73183788	6.001	001	52	73183846	6.002	001	13
73183789	6.006	001	21	73183846	6.002	001	42
73183789	6.007	001	20	73183846	6.003	001	32
73183790	7.004	001	13	73183848	6.002	001	8
73183790	7.006	001	13	73183849	6.002	001	12
73183792	7.004	001	15	73183850	6.003	001	21
73183792	7.006	001	15	73183851	6.002	001	9
73183793	7.005	001	13	73183852	6.003	001	14
73183793	7.009	001	13	73183853	6.004	001	14
73183794	7.010	001	11	73183854	6.002	001	7
73183795	7.010	001	13	73183855	6.002	001	10
73183797	7.004	001	12	73183855	6.002	001	43
73183798	1.002	001	12	73183856	6.006	001	20
73183798	7.005	001	12	73183856	6.007	001	2
73183798	7.006	001	12	73183857	6.006	001	18
73183798	7.009	001	12	73183858	6.006	001	22
73183798	7.010	001	10	73183858	6.007	001	21
73183801	7.010	001	16	73183859	8.002	001	47
73183804	7.004	001	17	73183861	2.003	001	33
73183806	7.005	001	18	73183862	8.002	001	55
73183806	7.009	001	18	73183863	2.003	001	12
73183807	7.001A	001	54	73183864	5.003	001	20
73183807	7.002A	001	53	73183865	5.003	001	26
73183809	6.001	001	25	73183867	6.006	001	17

CLICK HERE TO **DOWNLOAD** THE COMPLETE MANUAL

- Thank you very much for reading the preview of the manual.
- You can download the complete manual from: www.heydownloads.com by clicking the link below



- Please note: If there is no response to CLICKING the link, please download this PDF first and then click on it.

CLICK HERE TO **DOWNLOAD** THE COMPLETE MANUAL