

All rights reserved by **CNHi**.

The information contained in this catalogue is intended to be of a general nature only. **CNHi** may at any time and from time to time, for technical or other necessary reasons, modify any of the details or specifications of the product described in this catalogue.

To be sure of getting accurate, detailed and up-to-date information, an intending buyer should consult his nearest **CNHi** dealer or distributor.

Single item numeration method used in this catalogue may not be used without written consent from **CNHi**.

CLICK HERE TO **DOWNLOAD** THE COMPLETE MANUAL

- Thank you very much for reading the preview of the manual.
- You can download the complete manual from: www.heydownloads.com by clicking the link below



- Please note: If there is no response to CLICKING the link, please download this PDF first and then click on it.

CLICK HERE TO **DOWNLOAD** THE COMPLETE MANUAL

TABLE OF CONTENTS

55.512.BQ	04	INSTRUMENT CLUSTER
55.512.BR	01	VAR - 742017 - CAB, HAMMER, ELECTRIC SYSTEM CONTROL, PEDAL, HARNESS
55.512.BR	01	VAR - 742017 - ROPS, HAMMER, ELECTRIC SYSTEM CONTROL, PEDAL, HARNESS
55.512.BR	02	VAR - 742017 - HAMMER, ELECTRIC SYSTEM CONTROL, PEDAL
55.512.CL		TRANSMISSION, POWERSHUTTLE, JOYSTICK
55.512.CQ	01	VAR - 720855 - CAB, DRIVER SEAT, AIR COMPRESSOR, CONTROL, MECHANICAL
55.512.CQ	01	VAR - 720855 - CAB, DRIVER SEAT, AIR COMPRESSOR, CONTROL, PILOT CONTROLS
55.512.CQ	02	VAR - 728855 - CAB, DRIVER SEAT, AIR COMPRESSOR, CONTROL, MECHANICAL
55.512.CQ	02	VAR - 728855 - CAB, DRIVER SEAT, AIR COMPRESSOR, CONTROL, PILOT CONTROLS
55.513.AA		CAB, TRANSMISSION, SWITCH, POWERSHIFT
55.513.AC		CAB, TRANSMISSION, CONTROL, SWITCH, POWERSHUTTLE
55.513.AC		ROPS, GEARSHIFT, LEVER
55.513.AC		VAR - 742035 - TRANSMISSION, POWERSHIFT, SELECTOR, SWITCH
55.514.AA		CAB, INTERIOR LIGHT
55.514.AW		CAB, SWITCH, INTERIOR LIGHT
55.518.AB		WINDOW, REAR, WASHER, PIPE
55.518.AE		WINDOW, REAR, WASHER, CHECK VALVE
55.518.AG		WINDOW, REAR, SPRAY, NOZZLE
55.518.AH		WINDOW, REAR, WIPER ARM
55.518.AI		WINDOW, REAR, WIPER MOTOR
55.518.AP		WINDSHIELD WASHER , RESERVOIR, HOSE
55.518.AR		WINDSHIELD WASHER , CHECK VALVE
55.518.AS		WINDSHIELD WASHER , PUMP
55.518.AT		WINDSHIELD WASH RESERVOIR
55.518.AV		WINDSHIELD WIPER, SPRAY, NOZZLE, FRONT
55.518.AW		WINDSHIELD WIPER, ARM, FRONT
55.518.AY		CAB, SWITCH, WINDSHIELD WIPER, REAR
55.518.AZ		WINDSHIELD WIPER, MOTOR, FRONT
55.518.BH		WINDOW, REAR, WASHER PUMP
55.524.AE	01	VAR - 742331, 742333, 742335 - BACKHOE CONTROL VALVE, SWITCH, BUTTON, HORN
55.524.AE	02	VAR - 742331, 742333, 742335 - BACKHOE PILOT CONTROLS, SWITCH, BUTTON, SPEED CONTROL
55.524.AE	03	VAR - 742333, 742335 - BACKHOE CONTROL, SWITCH, BUTTON, SPEED CONTROL
55.524.AW		VAR - 423099, 742019 - SOLENOID VALVE, RIDE CONTROL VALVE
55.525.AK		THROTTLE CONTROL, PEDAL

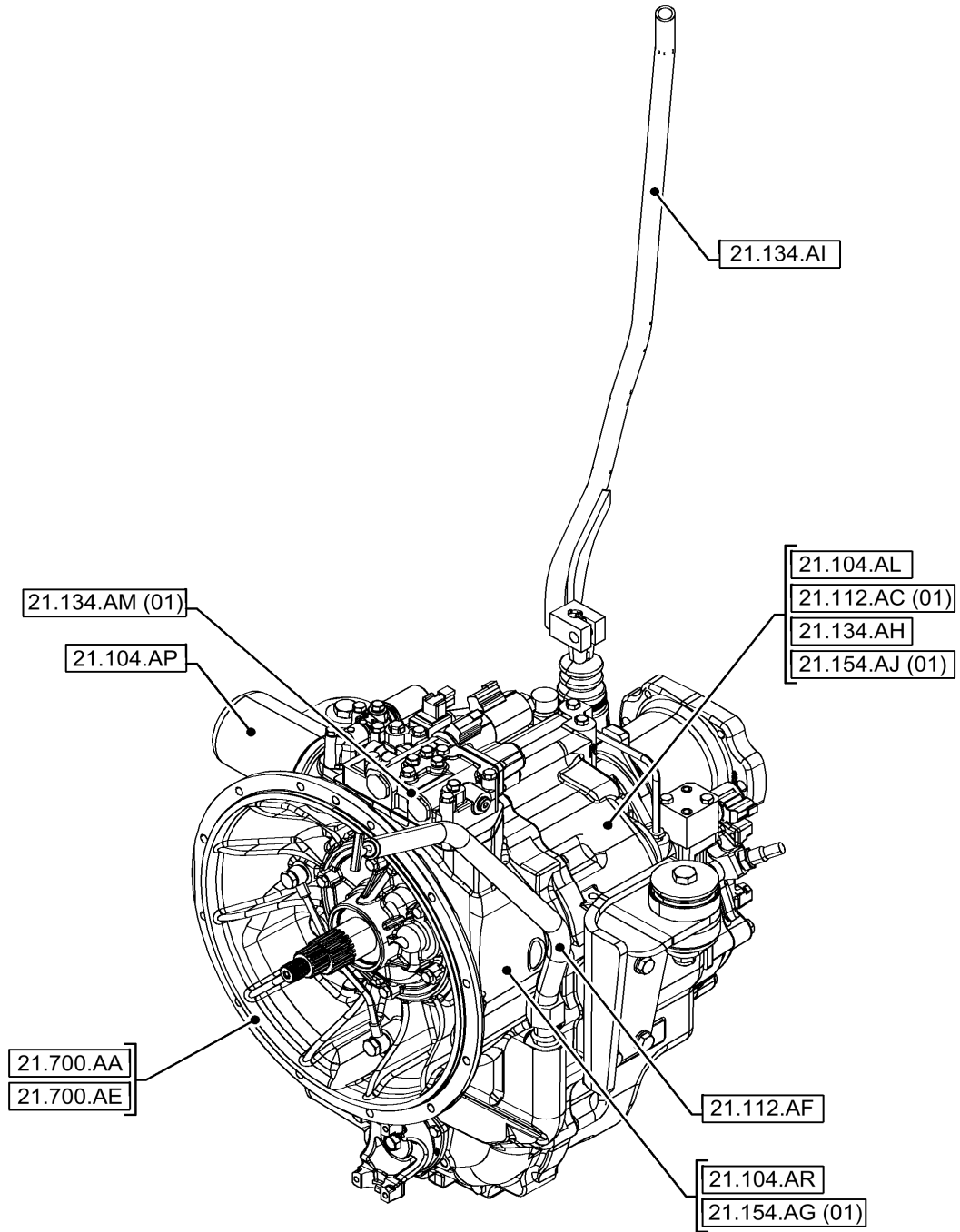
00.000.21

02

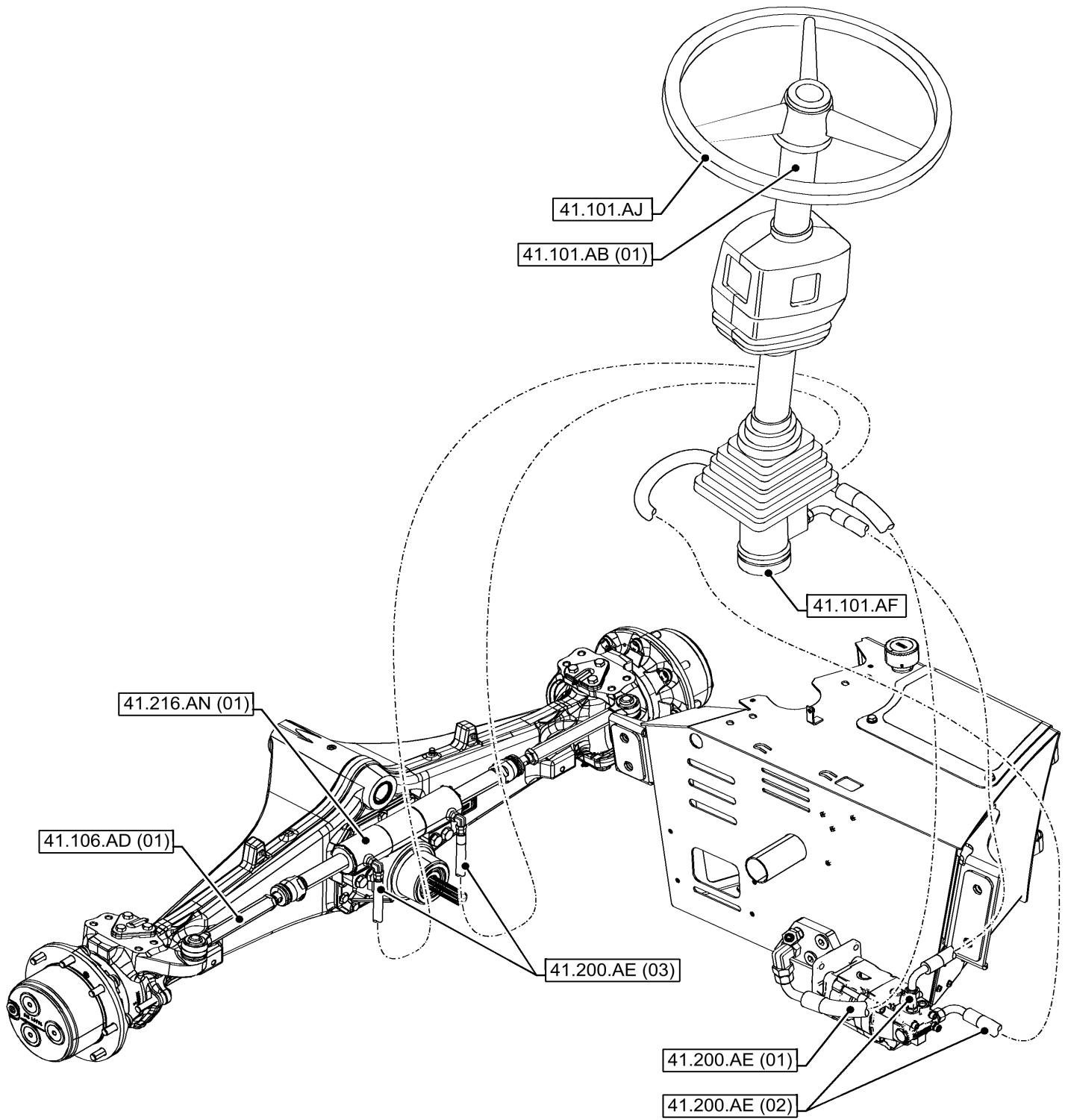
p1

11/202
0

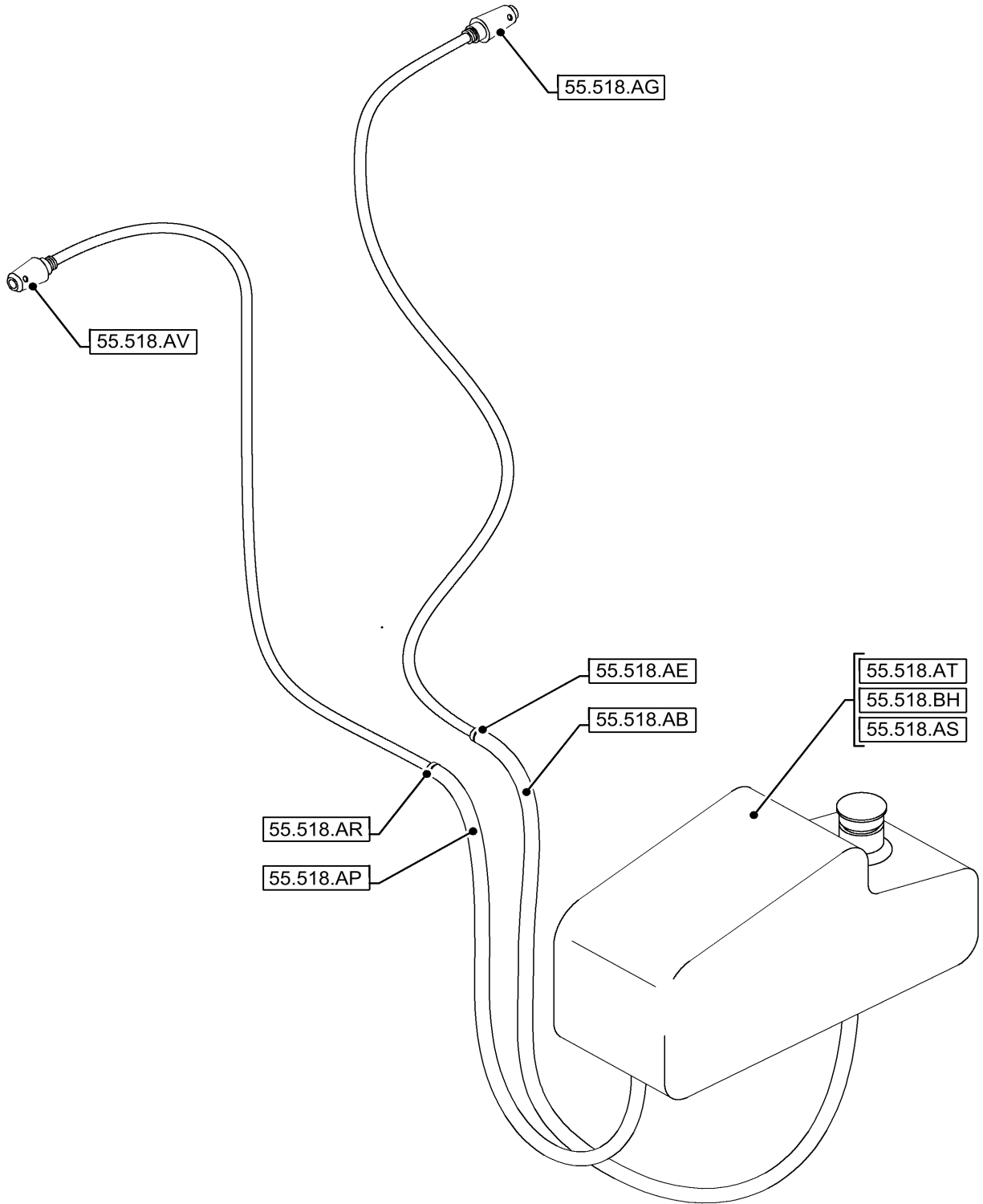
PICTORIAL INDEX - TRANSMISSION, POWERSHUTTLE



PICTORIAL INDEX - STEERING



PICTORIAL INDEX - ELECTRICAL SYSTEMS



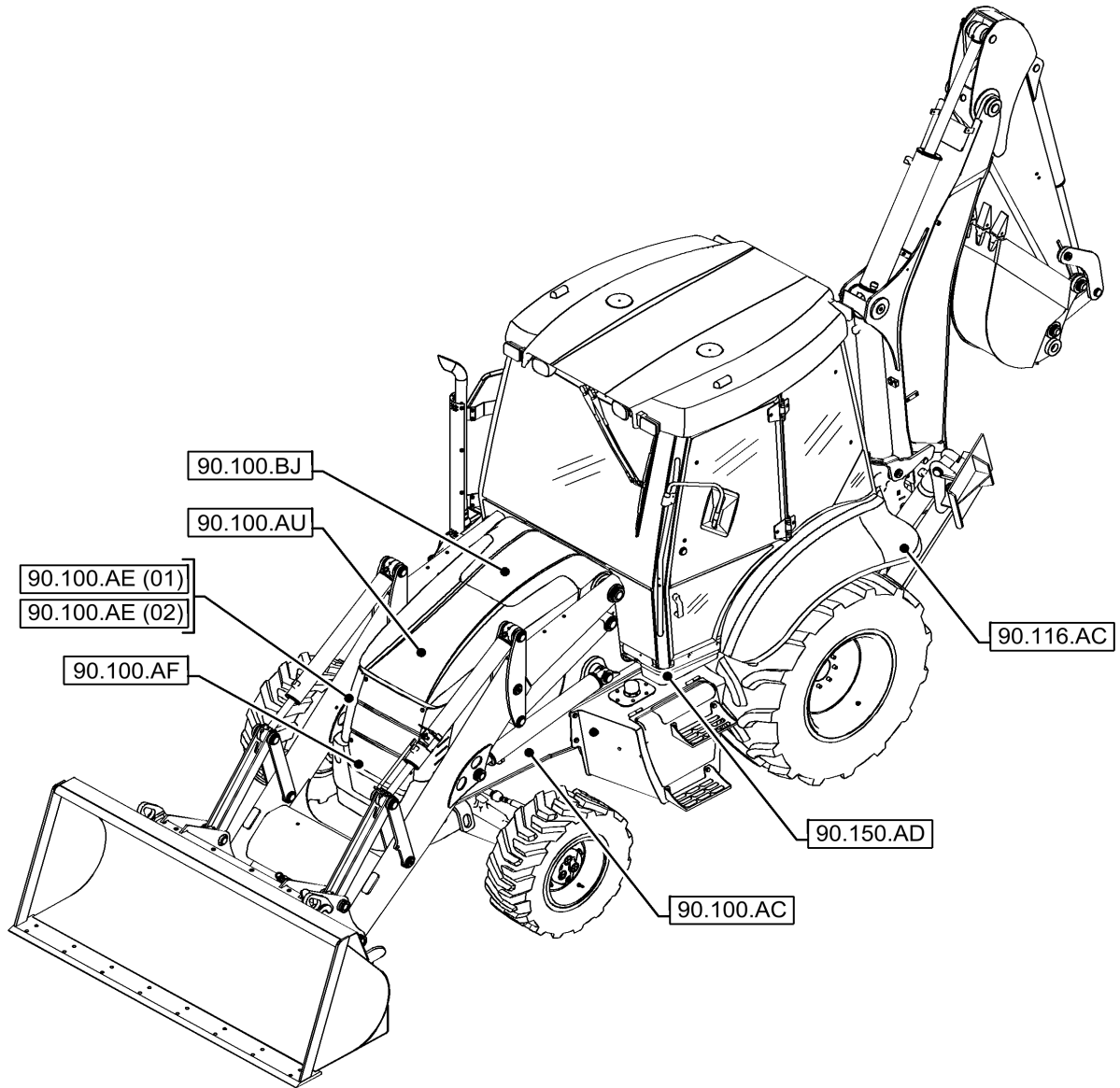
00.000.90

03

p1

11/2020

PICTORIAL INDEX - PLATFORM, CAB, BODYWORK AND DECALS

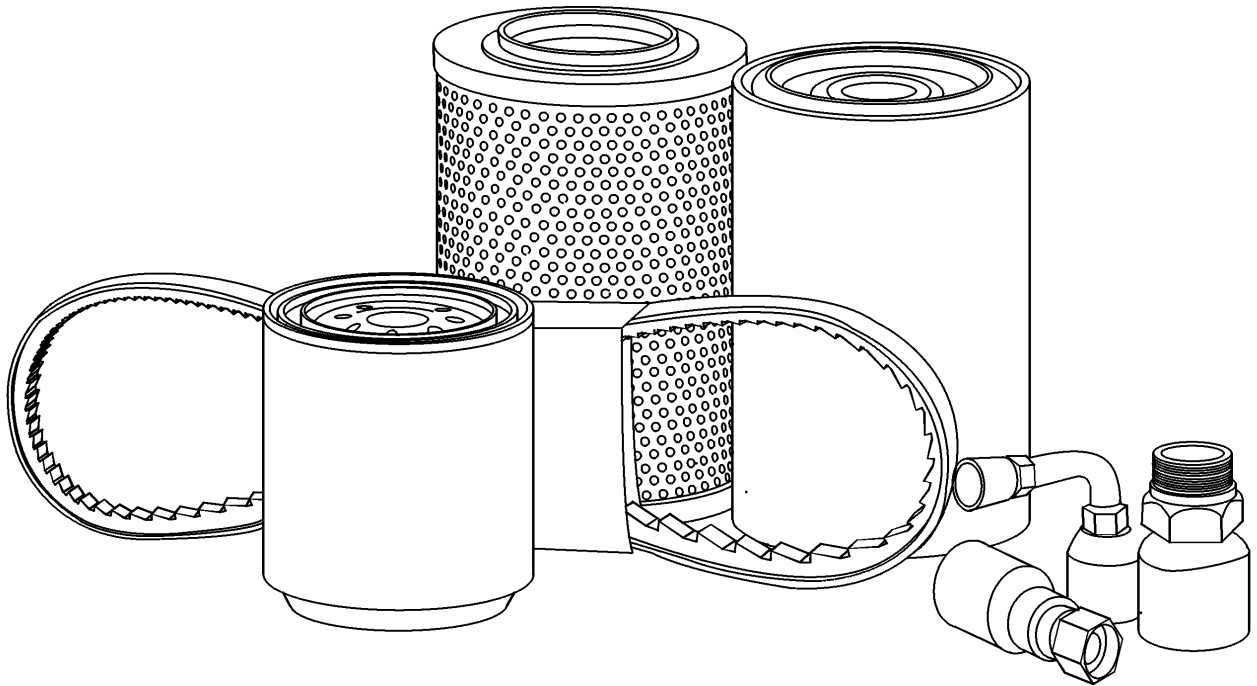


05.100.02

p1

11/2020

INITIAL STOCKING LIST (LIST B)



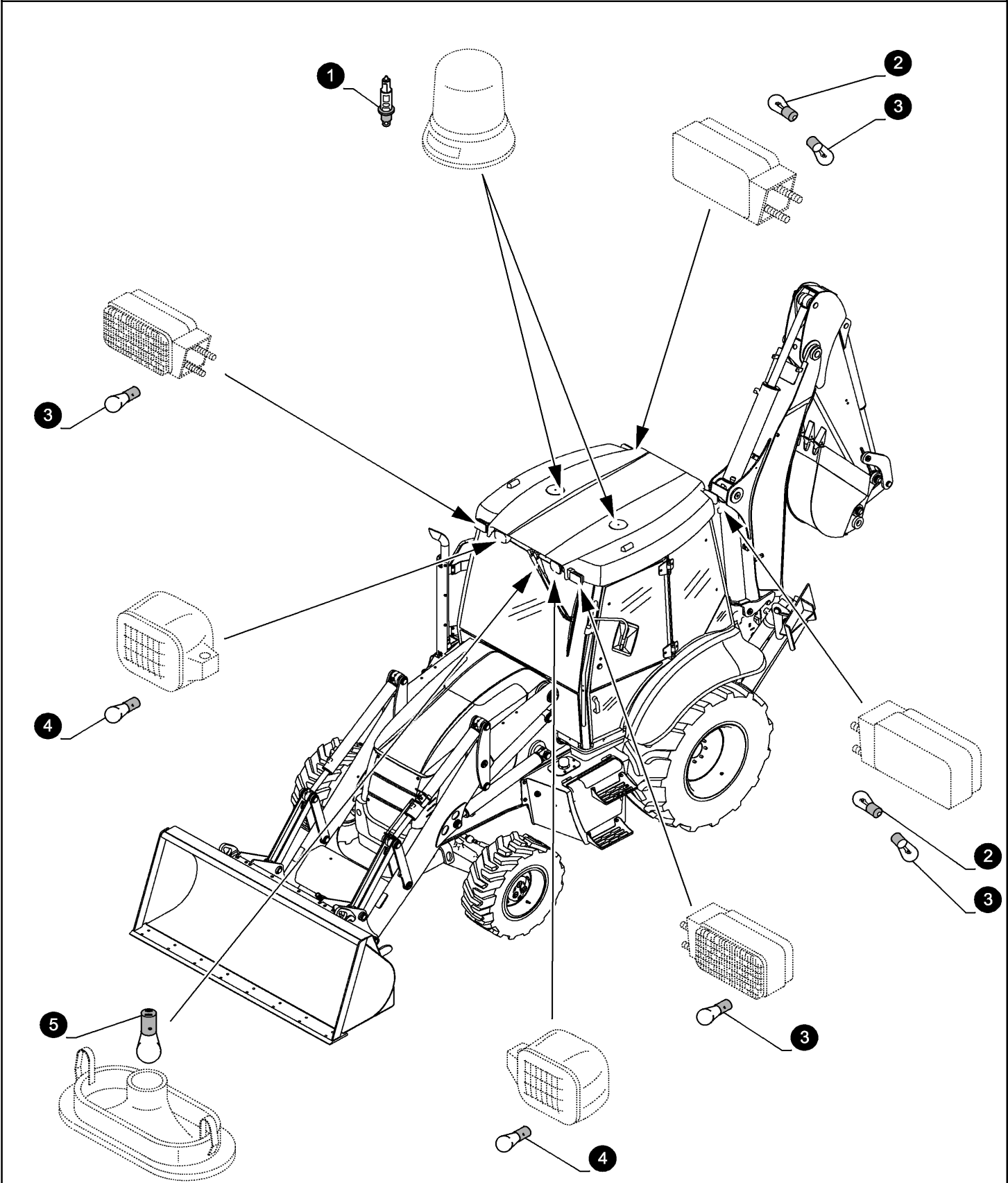
05.100.04

04

p1

11/2020

MAINTENANCE PARTS - BULBS



10.202.AD

03

p1

11/2020

VAR - 861321 - AIR DUCTS & HOSES, AIR CLEANER (DOUBLE BATTERY)

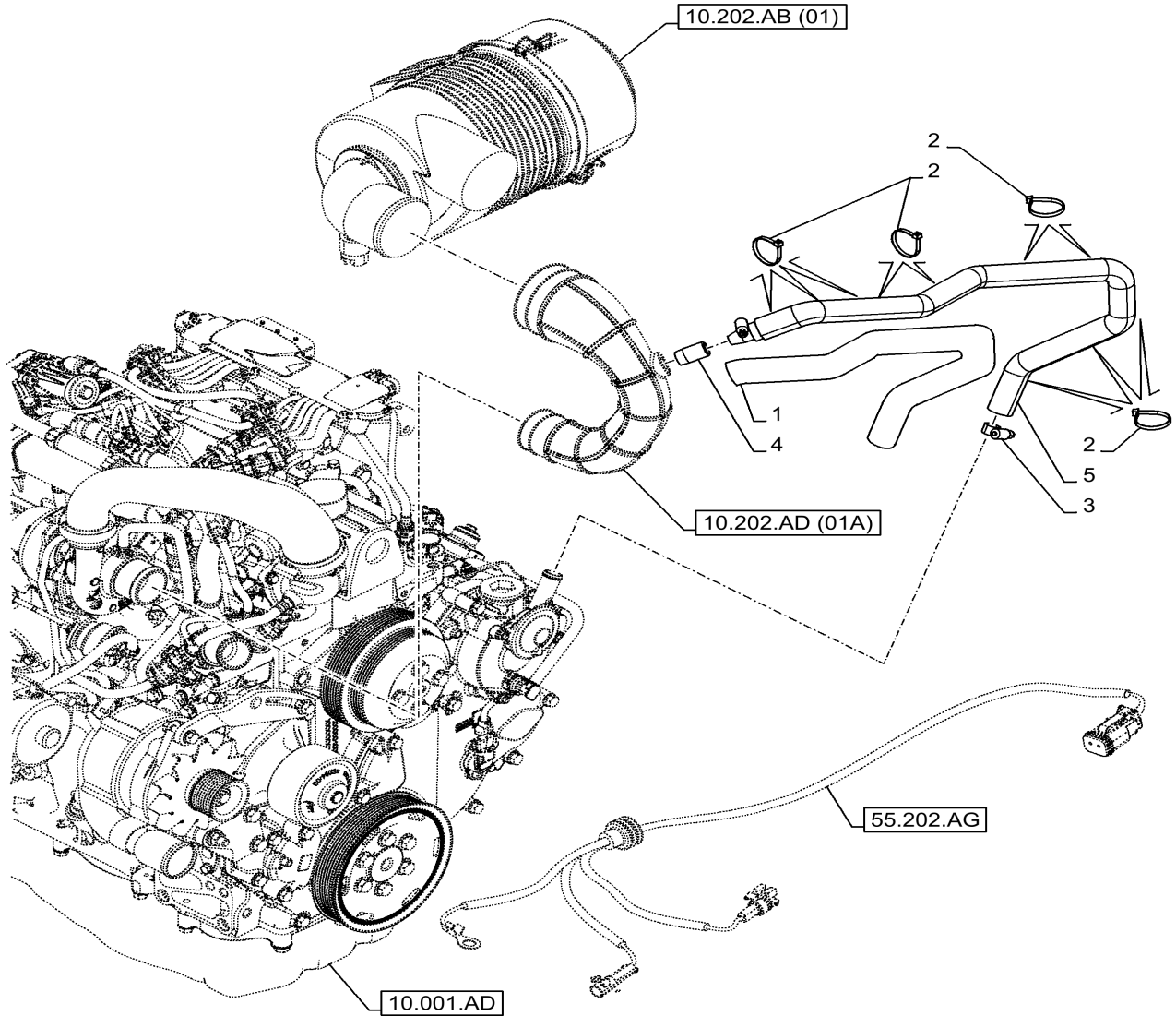


Figure is Valid with Industrial Var. 861131, 742028, 742036, 742037, 742081, 742082, 742097, 742099, 742181, 742182, 742183, 742184, 742185, 742186, 742196, 742197, 742261, 742263, 742264, 742265, 742266, 742267, 742268, 742269, 742348, 742349, 742911

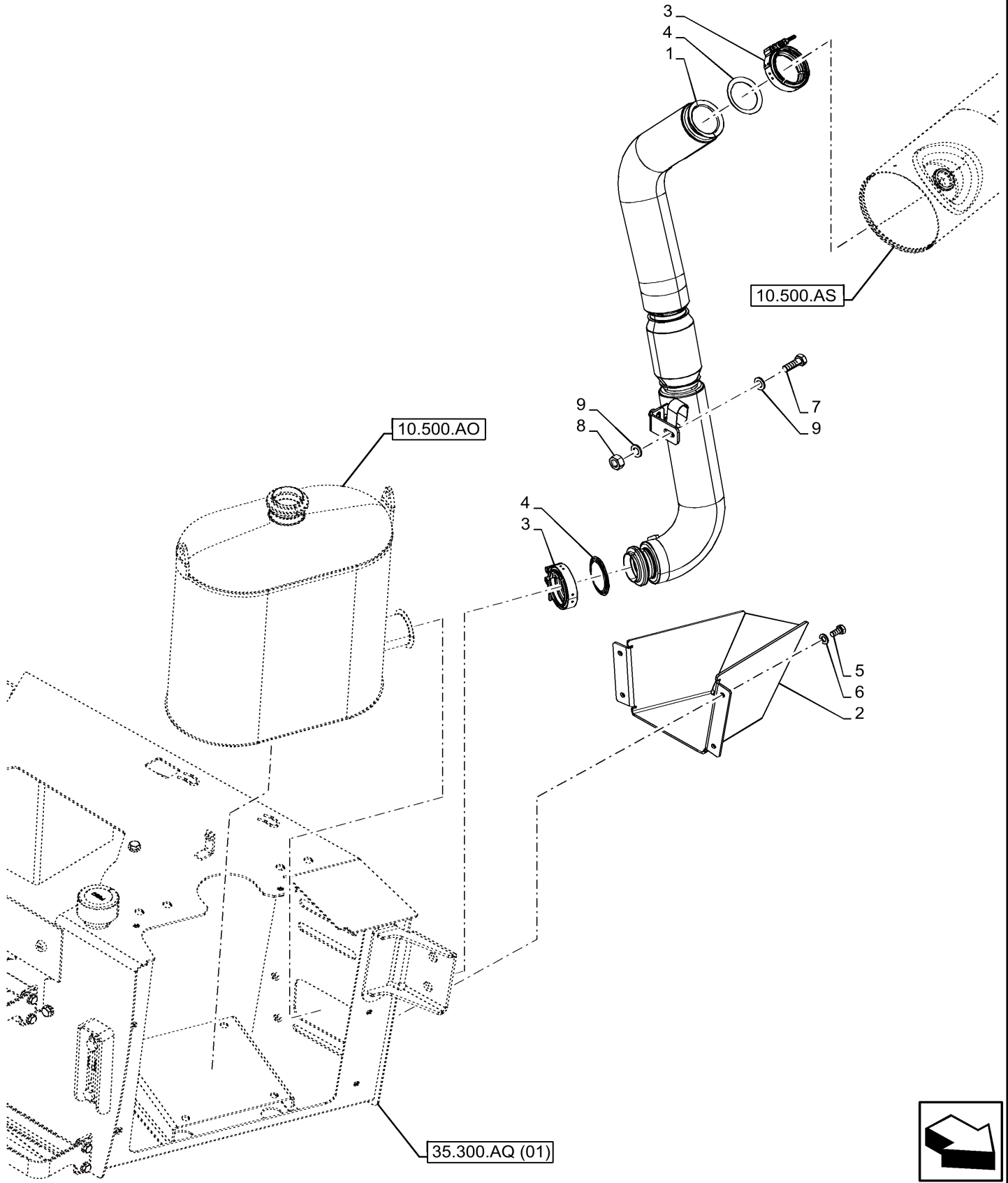
10.254.AD

03

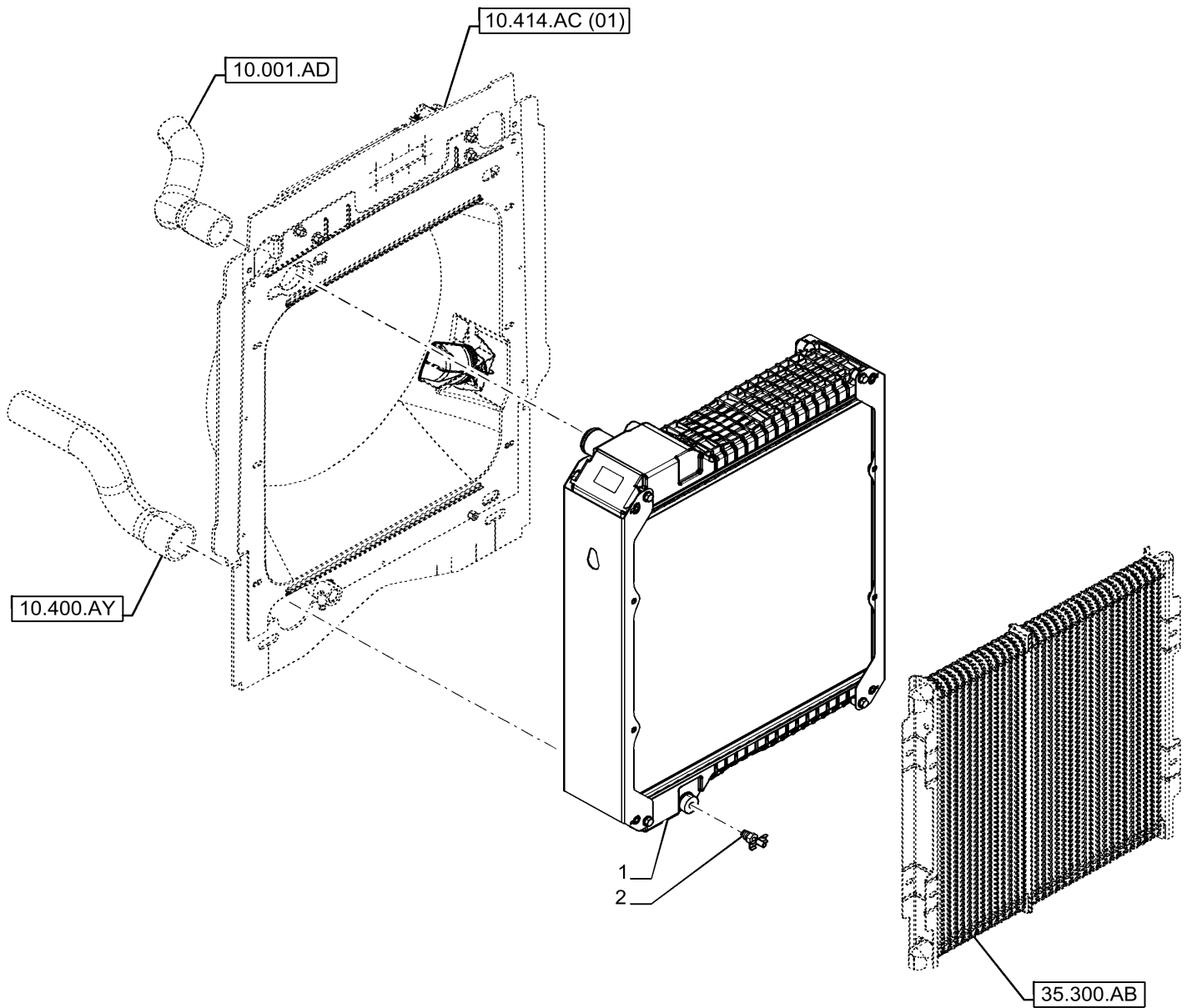
p1

11/202
0

EXHAUST SYSTEM PIPE



RADIATOR, ROPS

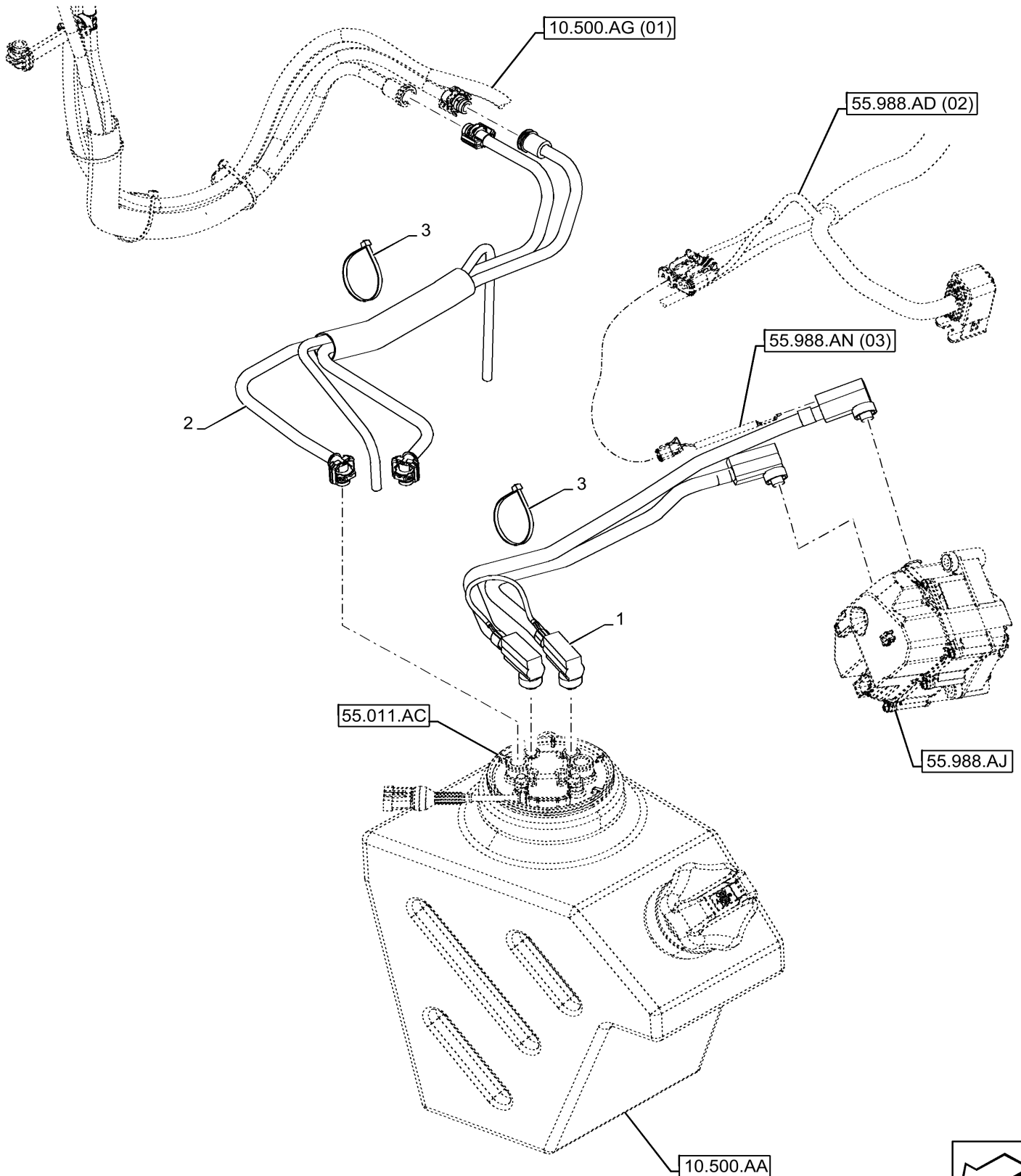


10.500.AD

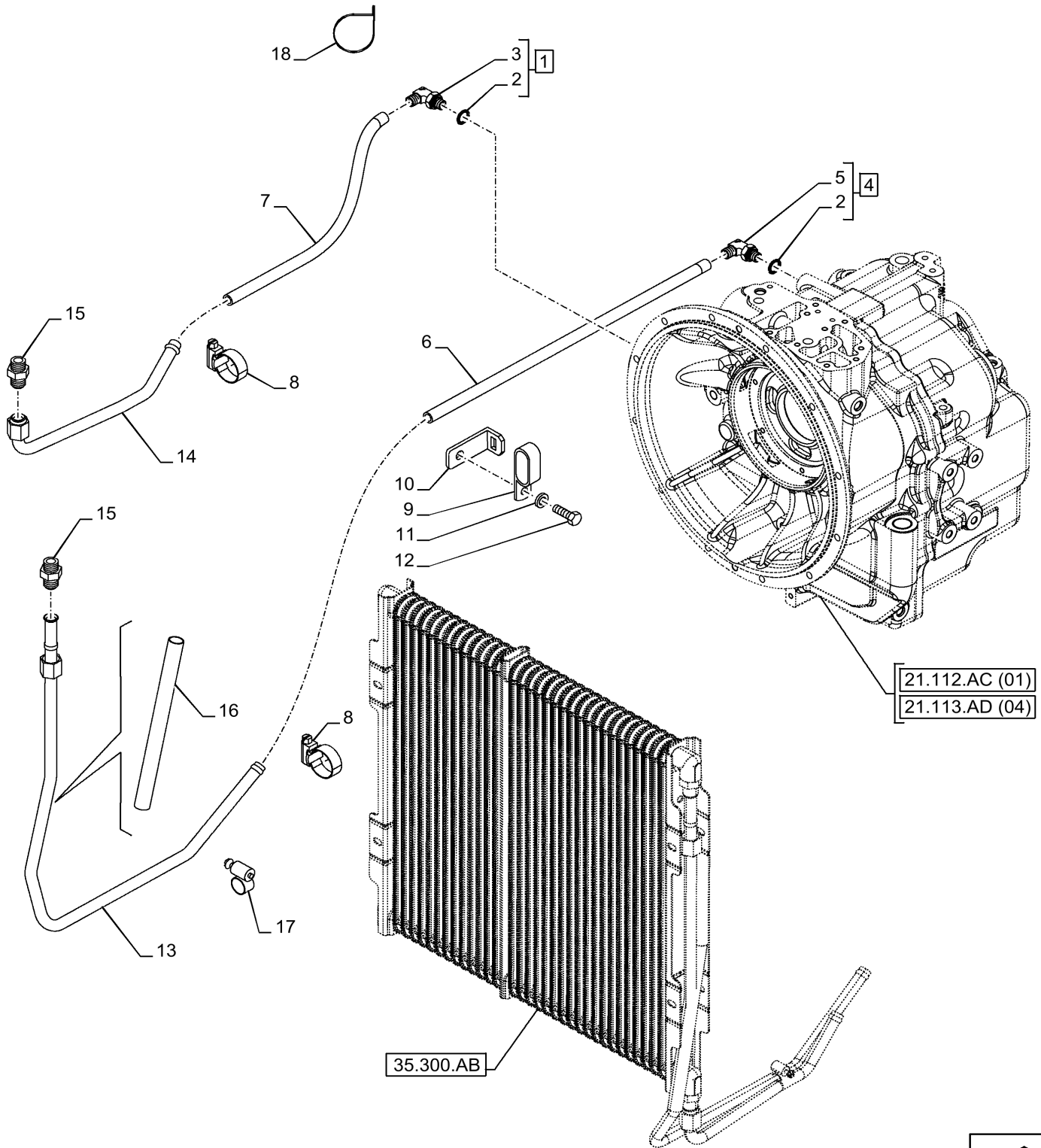
p1

11/2020

DEF/ADBLUE™ LINES

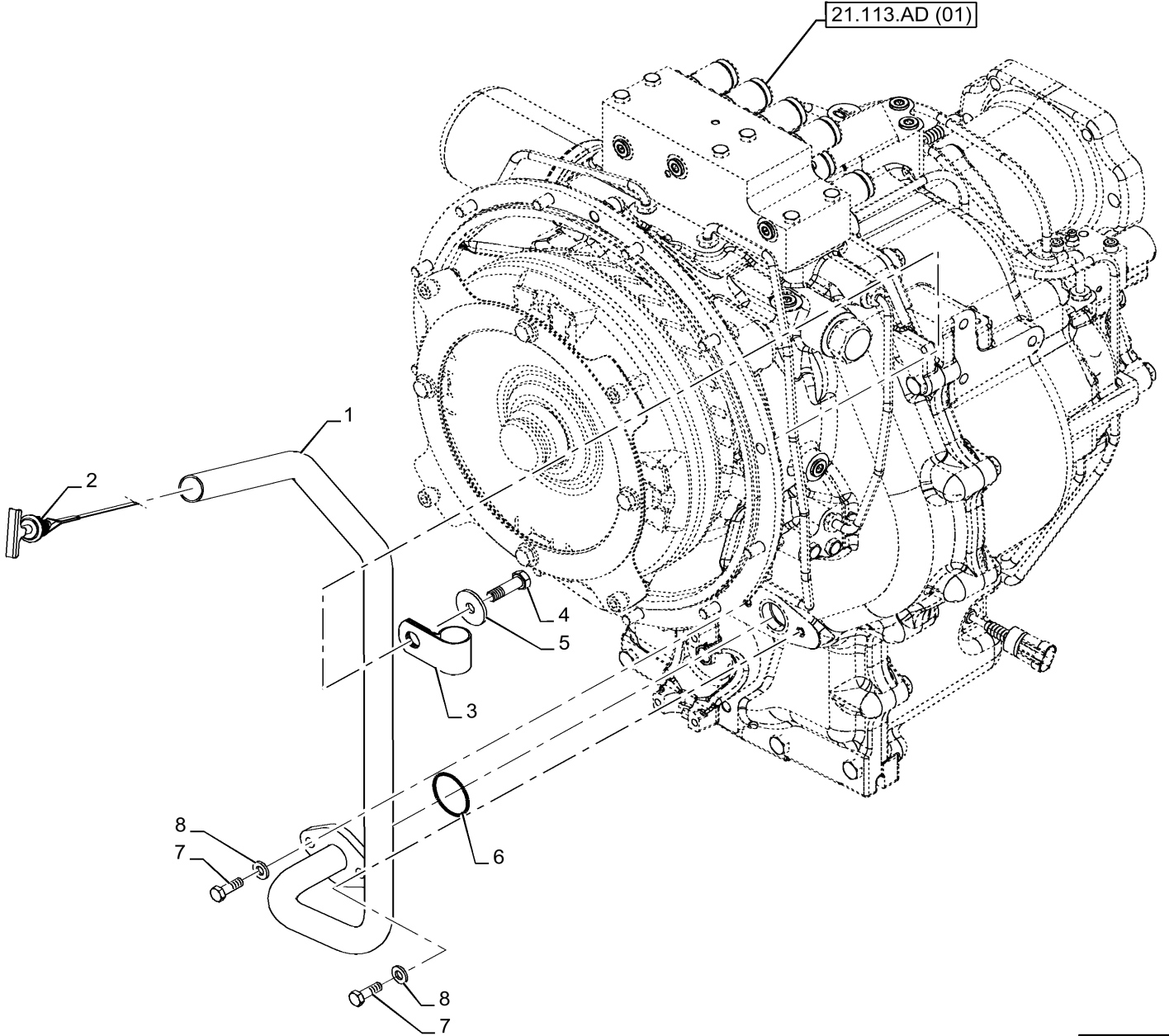


TRANSMISSION, POWERSHIFT, OIL COOLER LINE



TRANSMISSION, POWERSHIFT, DIPSTICK, 4WD

21.113.AD (01)



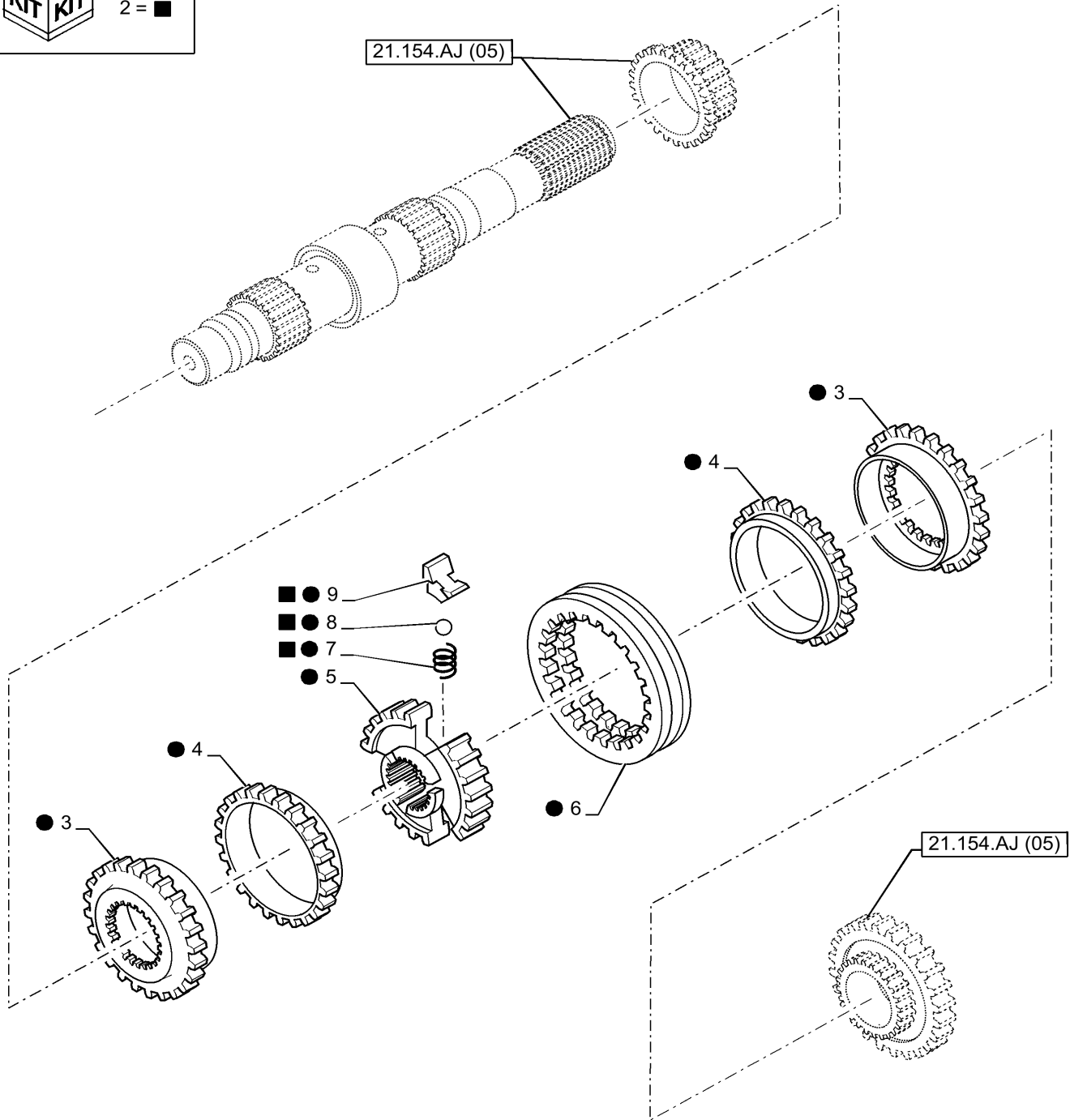
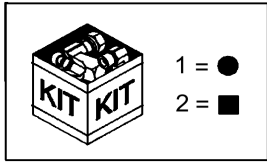
21.154.AG

02

p1

11/202
0

TRANSMISSION, POWERSHUTTLE, SYNCHRONIZER, 2WD



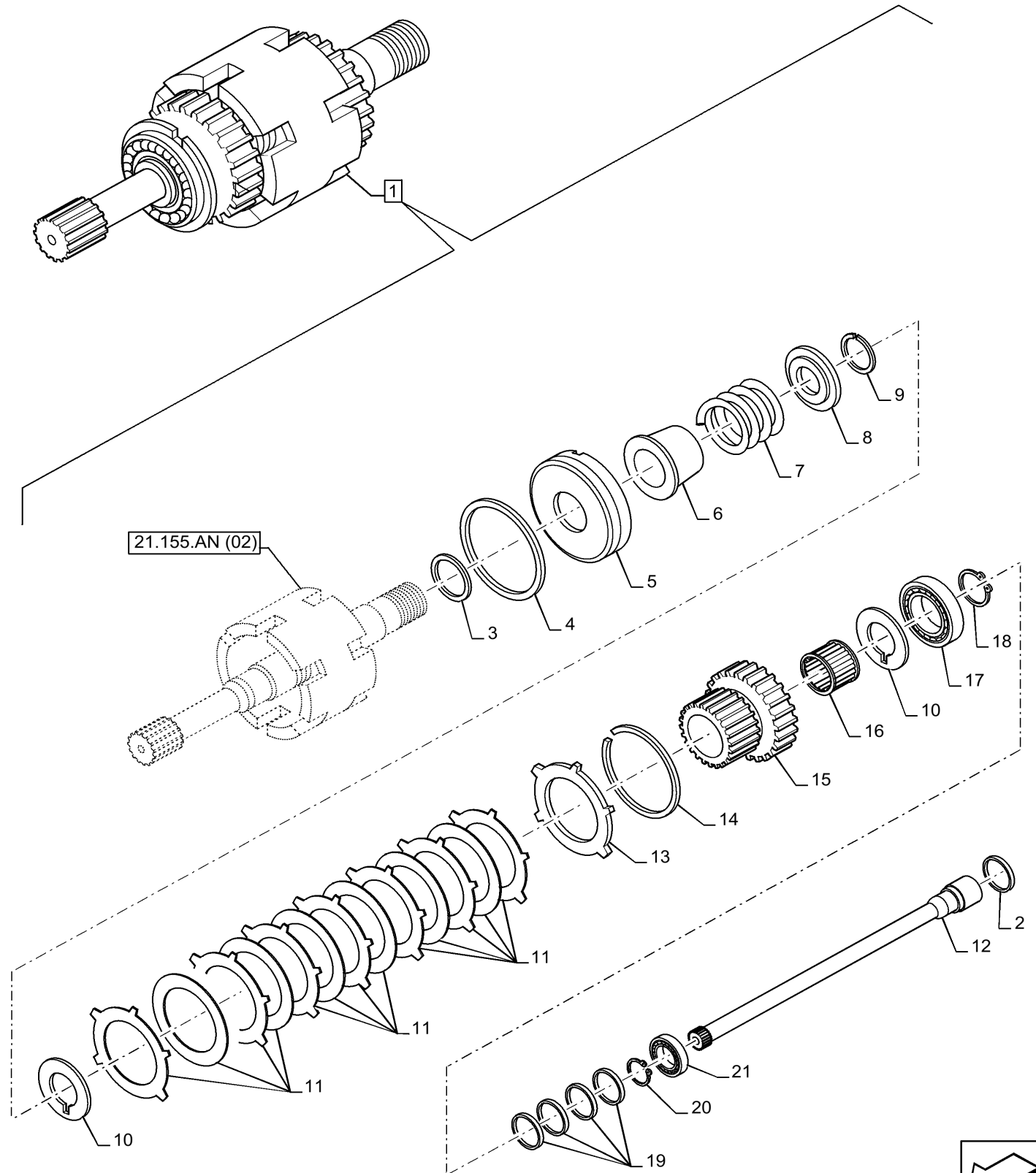
21.155.AN

03

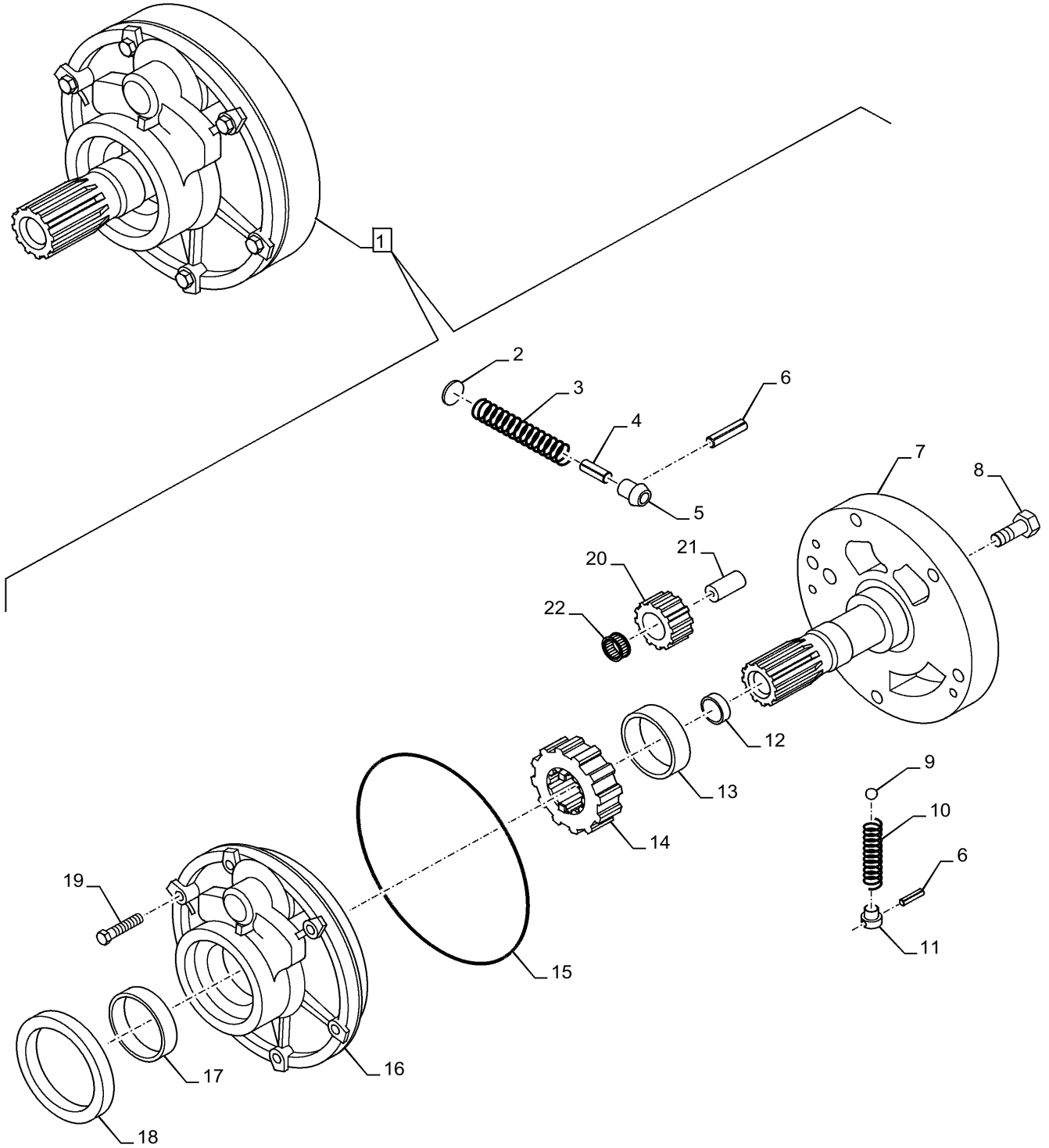
p1

11/2020

TRANSMISSION, POWERSHIFT, INPUT SHAFT, COMPONENTS, 4WD



TRANSMISSION, POWERSHIFT, OIL PUMP, COMPONENTS



25.100.AA

04

p1

11/2020

VAR - 742402 - FRONT AXLE, 4WD

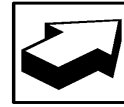
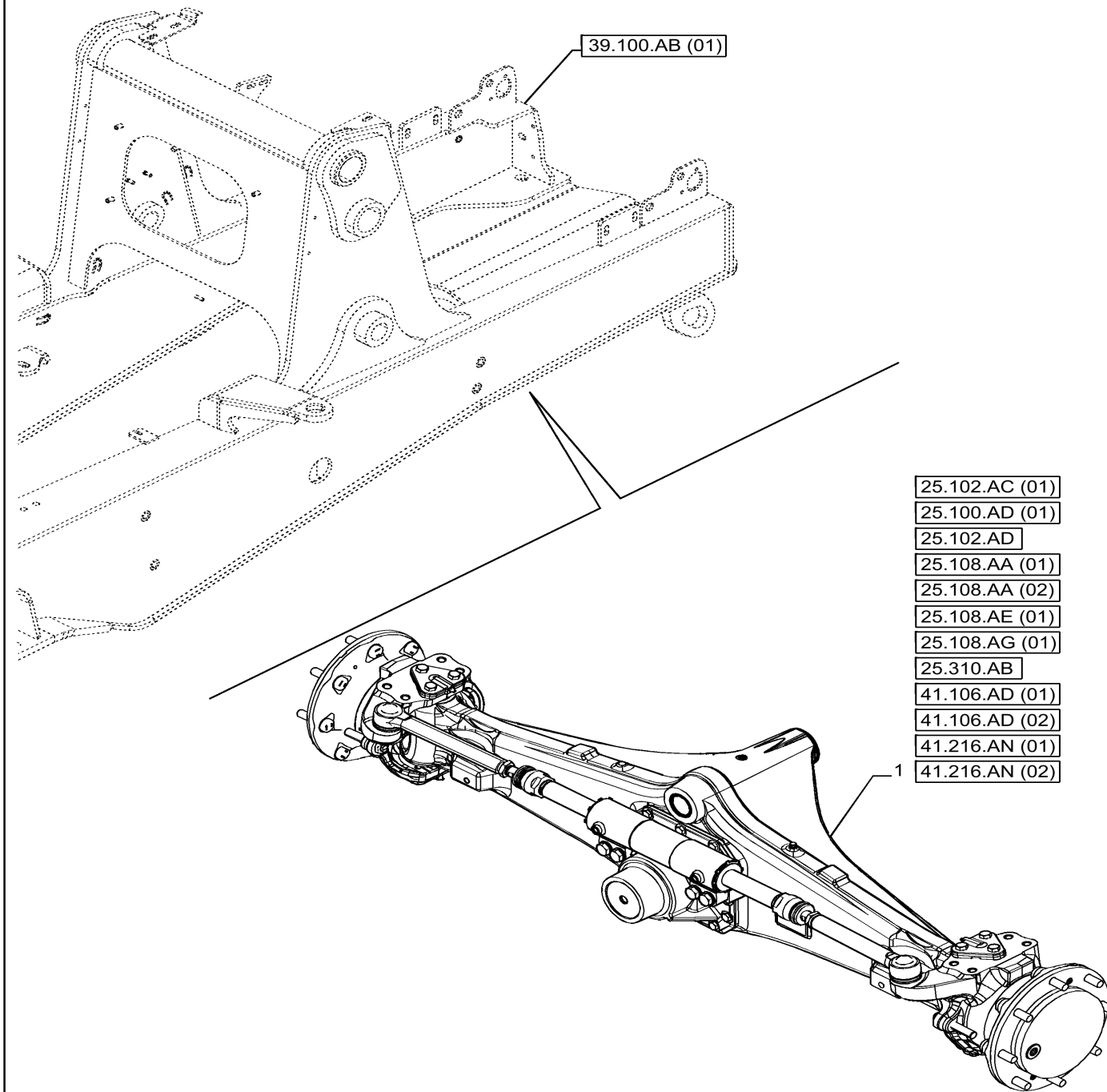


Figure is Valid with Industrial Var. 742402

25.108.AA

04

p1

11/2020

VAR - 742031 - FRONT AXLE, SHAFT, 4WD

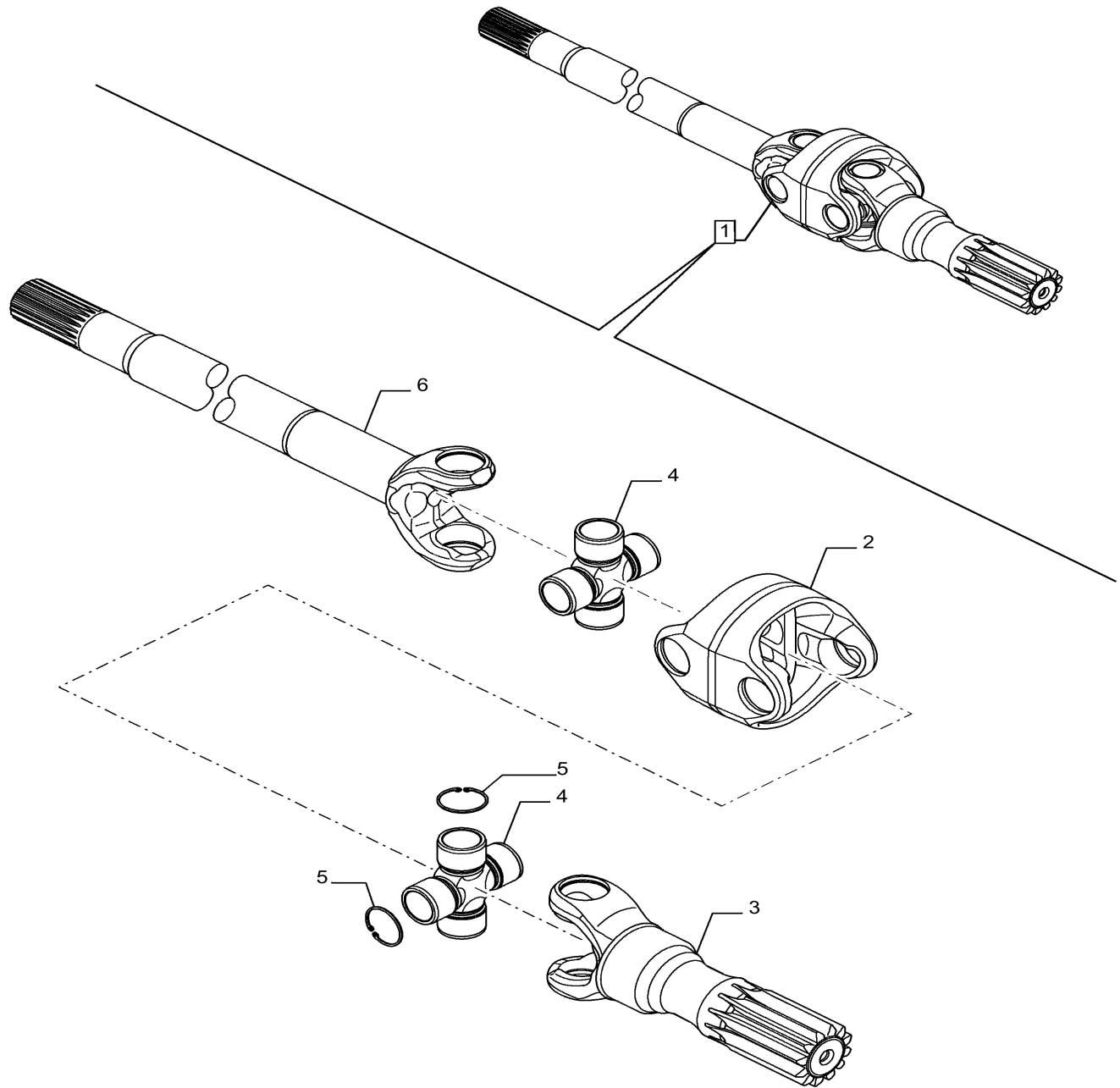


Figure is Valid with Industrial Var. 742031

SECTION INDEX

REAR AXLE SYSTEM

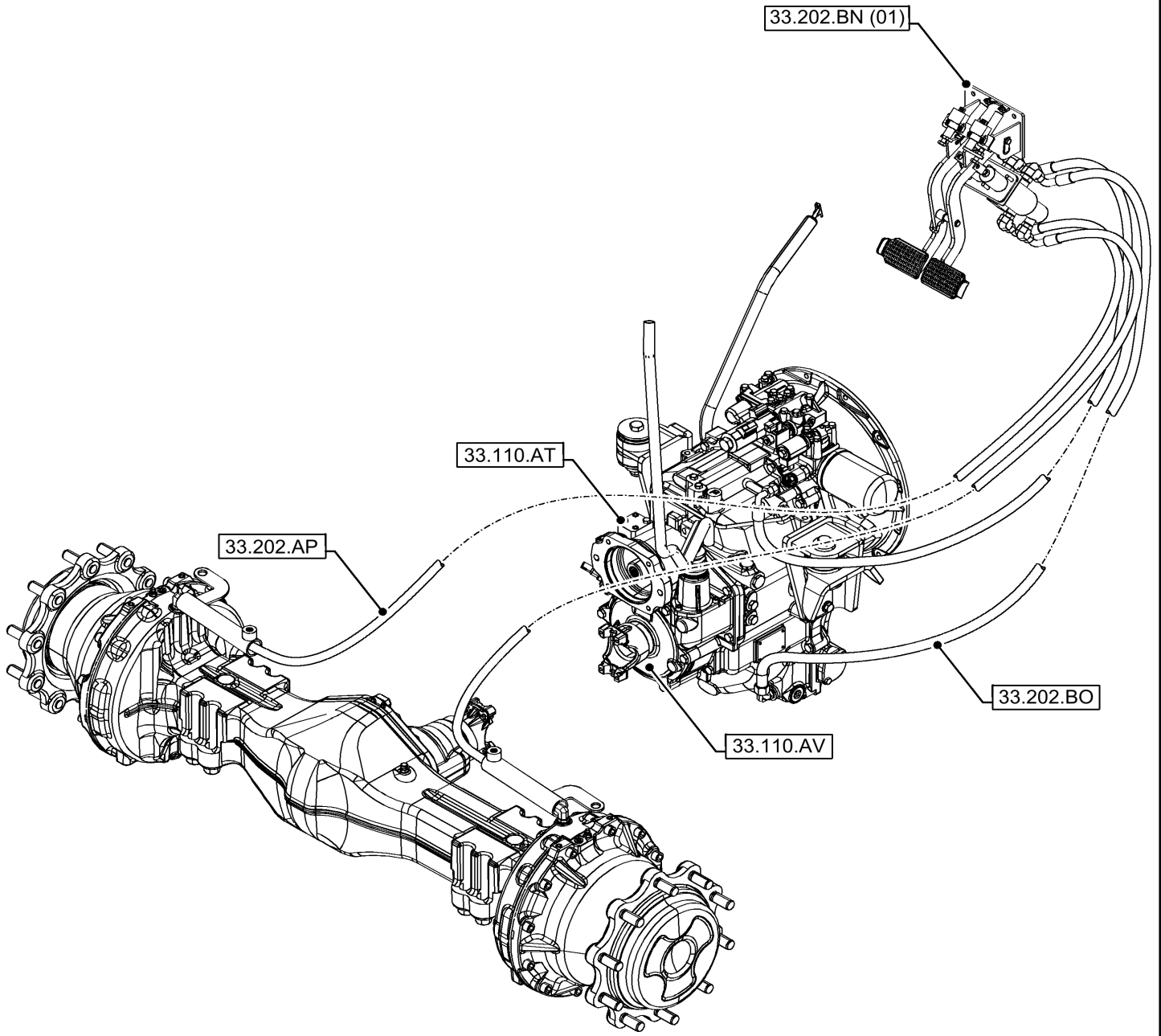
27.000.00		SECTION INDEX - REAR AXLE SYSTEM
27.100.AB	01	REAR AXLE, HOUSING
27.100.AB	02	REAR AXLE, HOUSING, COMPONENTS
27.100.AJ		DRIVE SHAFT, REAR
27.106.AA		REAR AXLE, BEVEL GEAR
27.106.AC		REAR AXLE, DIFFERENTIAL
27.106.AK		DIFFERENTIAL LOCK
27.106.AN		DIFFERENTIAL LOCK, OIL SUPPLY LINE
27.120.AF		REAR AXLE, FINAL DRIVE, SHAFT
27.124.AA		REAR AXLE, BEVEL GEAR

33.000.00

p1

11/202
0

SECTION INDEX - BRAKES & CONTROLS



SECTION INDEX

HYDRAULIC SYSTEMS

35.723.AA	02	CYLINDER, LOADER BUCKET, COMPONENTS
35.723.AB	01	BUCKET CYLINDER, LINE
35.723.AB	02	LINE, CYLINDER, BUCKET, FRONT
35.723.AB	03	BUCKET CYLINDER, LINE
35.723.AB	04	VAR - 742010 - FRONT, BUCKET, LINE, LOCK VALVE
35.723.AH		VAR - 742010 - LOCK VALVE, FRONT, BUCKET
35.724.AE		VAR - 720390, 720725 - CONTROL VALVE, LEVER, MECHANICAL
35.724.AE		VAR - 742302, 742700 - CONTROL VALVE, LEVER, PILOT CONTROLS
35.724.AG	01	LINK, ROD, LOADER, CONTROL VALVE, MECHANICAL
35.724.AG	01	LINK, ROD, LOADER, CONTROL VALVE, PILOT CONTROLS
35.724.AG	02	LINK, ROD, LOADER, CONTROL VALVE, MECHANICAL
35.724.AG	02	LINK, ROD, LOADER, CONTROL VALVE, PILOT CONTROLS
35.724.AM	01	LOADER BUCKET, SELF-LEVELLING, CONTROL
35.724.AM	02	LOADER BUCKET, SELF-LEVELLING, CONTROL, MECHANICAL
35.726.AD	01	VAR - 720721, 728727 - BACKHOE CONTROL VALVE, 7 SPOOL, MOUNTING, MECHANICAL
35.726.AD	01	VAR - 742331 - BACKHOE CONTROL VALVE, 6 SECTIONS, MOUNTING, PILOT CONTROLS
35.726.AD	02	VAR - 720721, 728727 - BACKHOE CONTROL VALVE, 7 SPOOL, MECHANICAL, COMPONENTS
35.726.AD	02	VAR - 742331 - BACKHOE CONTROL VALVE, 6 SECTIONS, ASSY, PILOT CONTROLS
35.726.AD	03	VAR - 720721, 728727 - BACKHOE CONTROL VALVE, 7 SPOOL, MECHANICAL, COMPONENTS
35.726.AD	03	VAR - 742331, 742333, 742335 - BACKHOE CONTROL VALVE, 6,7 SECTIONS, INLET SECTION, PILOT CONTROLS
35.726.AD	04	VAR - 720721, 728727 - BACKHOE CONTROL VALVE, 7 SPOOL, SEAL, PLATE, MECHANICAL
35.726.AD	04	VAR - 742331, 742333, 742335 - BACKHOE CONTROL VALVE, 6,7 SECTIONS, BOOM SECTION, PILOT CONTROLS
35.726.AD	05	VAR - 720721, 728727 - BACKHOE CONTROL VALVE, 7 SPOOL, CHECK VALVE, MECHANICAL
35.726.AD	05	VAR - 742331, 742333, 742335 - BACKHOE CONTROL VALVE, 6,7 SECTIONS, SWING SECTION, PILOT CONTROLS
35.726.AD	06	VAR - 720721, 728727 - BACKHOE CONTROL VALVE, 7 SPOOL, CHECK VALVE, MECHANICAL
35.726.AD	06	VAR - 742331, 742333, 742335 - BACKHOE CONTROL VALVE, 6,7 SECTIONS, BUCKET SECTION, PILOT CONTROLS
35.726.AD	07	VAR - 720721, 728727 - BACKHOE CONTROL VALVE, 7 SPOOL, PLUGS, MECHANICAL
35.726.AD	07	VAR - 742331, 742333, 742335 - BACKHOE CONTROL VALVE, 6,7 SECTIONS, DIPPER SECTION, PILOT CONTROLS
35.726.AD	08	VAR - 742024 - BACKHOE CONTROL VALVE, 6 SPOOL, MOUNTING, MECHANICAL
35.726.AD	08	VAR - 742331, 742333, 742335 - BACKHOE CONTROL VALVE, 6,7 SECTIONS, STABILIZER, PILOT CONTROLS
35.726.AD	09	VAR - 742024 - BACKHOE CONTROL VALVE, 6 SPOOL, MECHANICAL, COMPONENTS

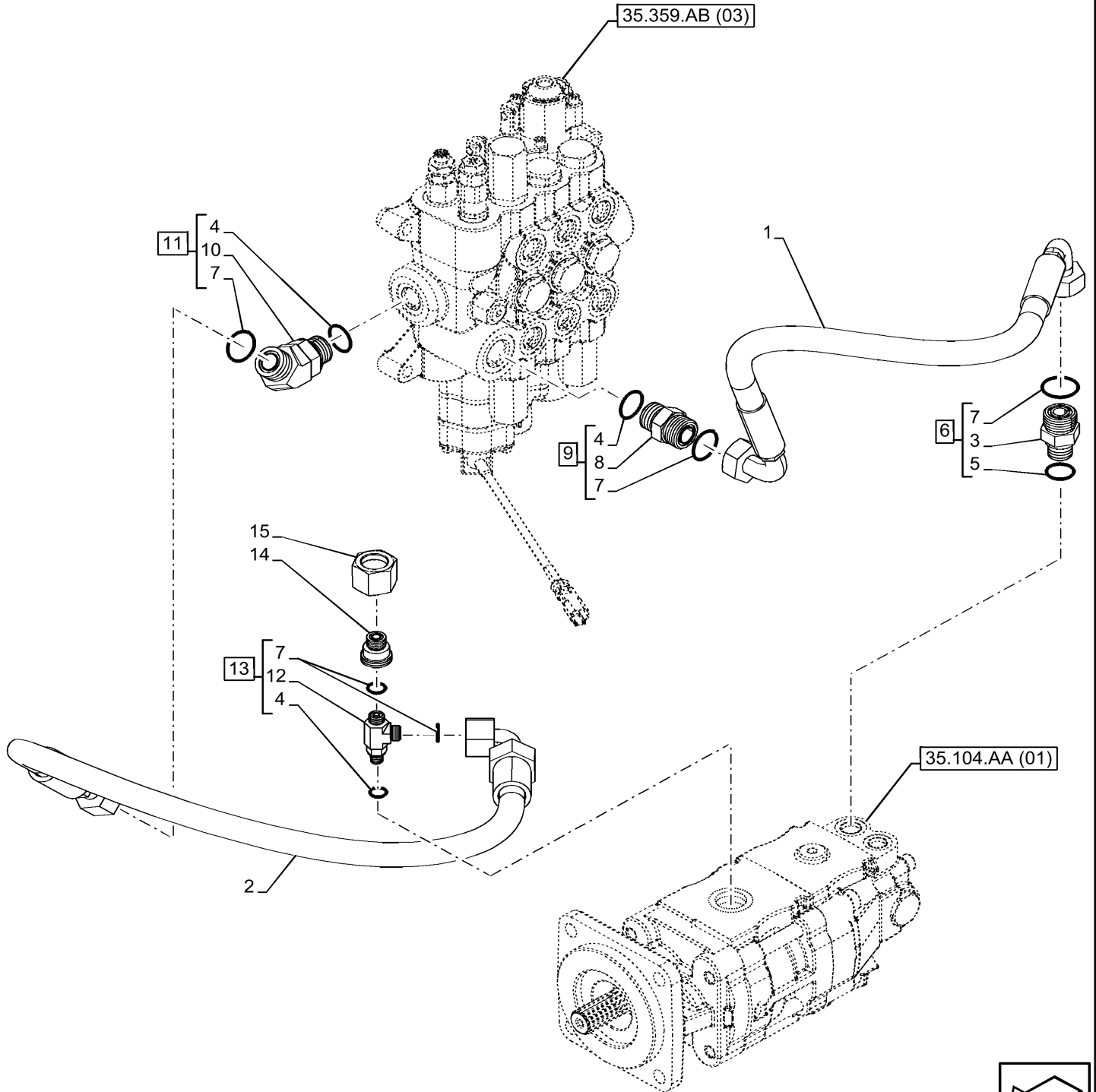
35.104.AF

02

p2

11/202
0

OIL LINE, FITTING



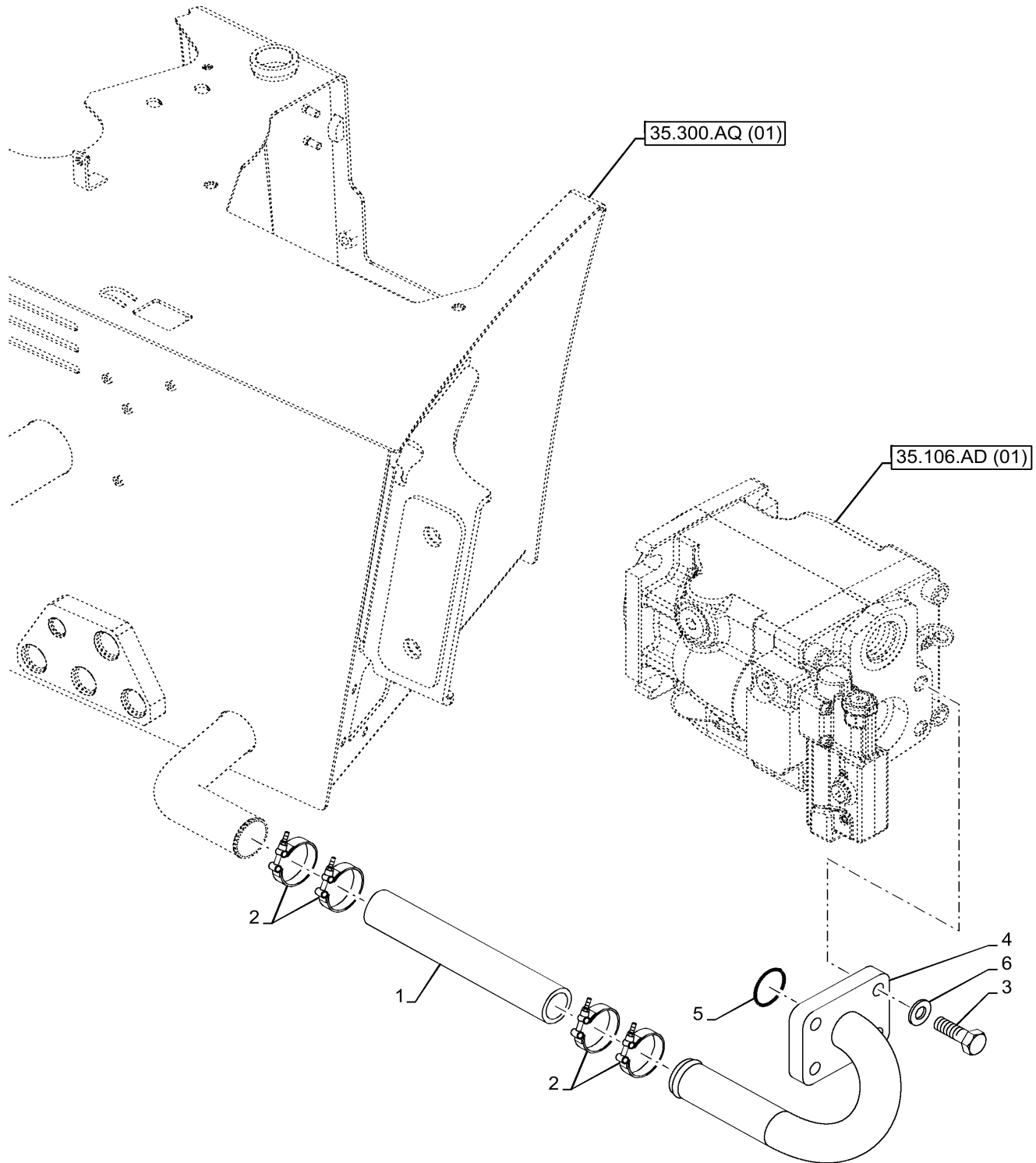
35.300.AD

01

p1

11/2020

RESERVOIR, LINES, PILOT CONTROLS



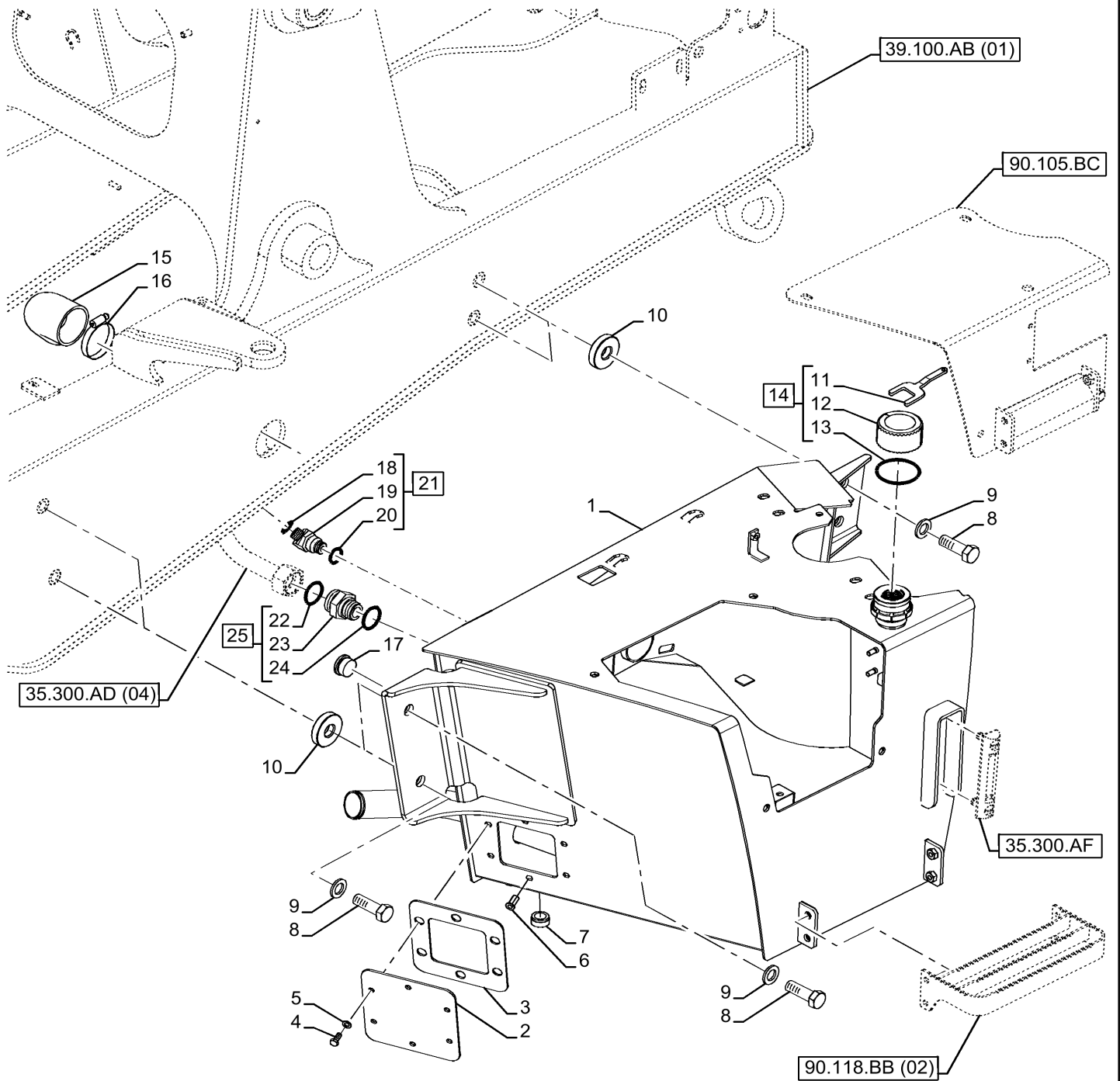
35.300.AQ

01

p1

11/2020

HYDRAULIC OIL RESERVOIR



35.357.AG

04

p1

11/202
0

VAR - 742333, 742335 - PILOT CONTROLS, PRESSURE CONTROL VALVE

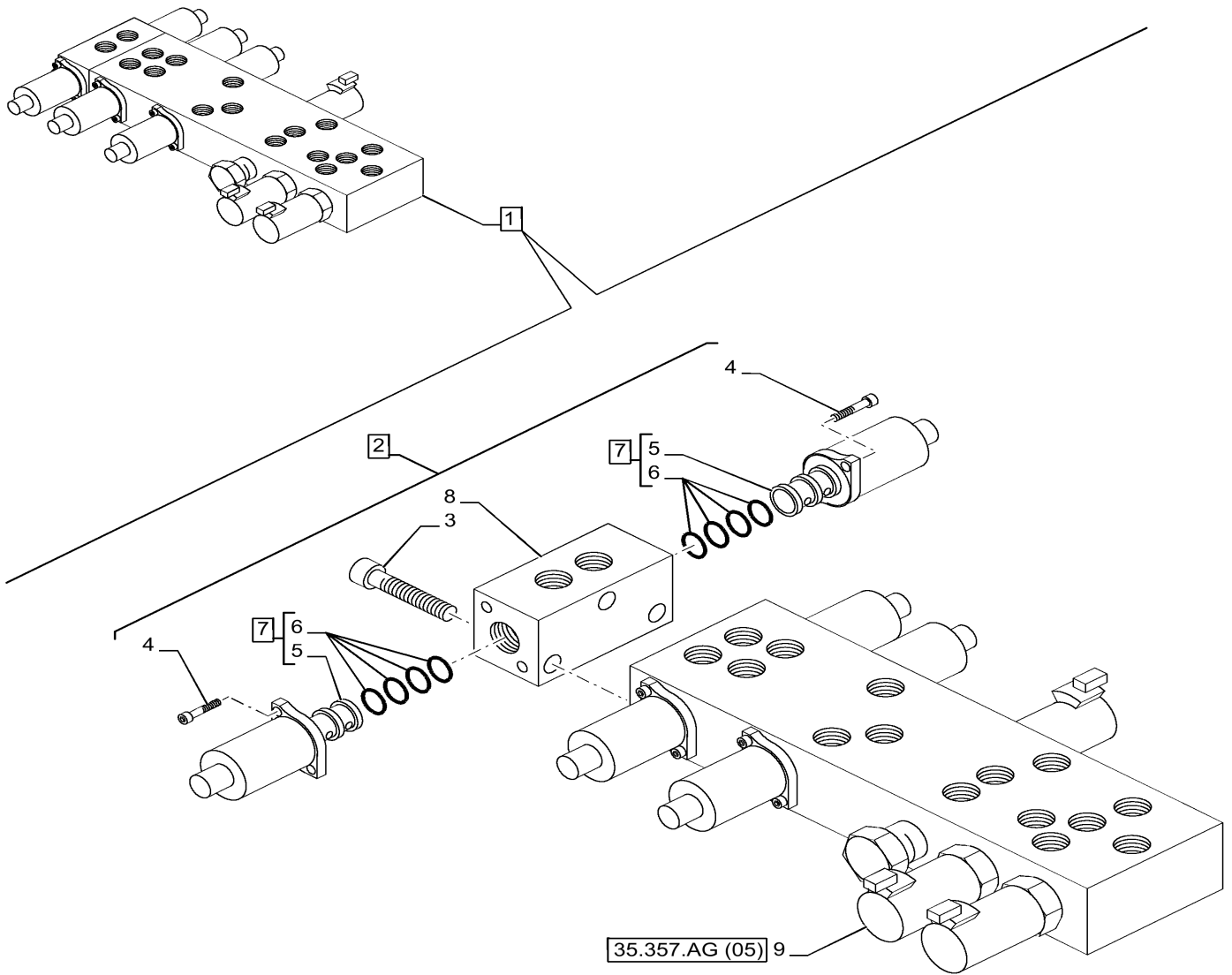


Figure is Valid with Industrial Var.742333, 742335

35.359.AB

03

p1

11/2020

VAR - 742700 - 3-SPOOL CONTROL VALVE, FRONT LOADER HYDRAULIC SYSTEM, PILOT CONTROLS

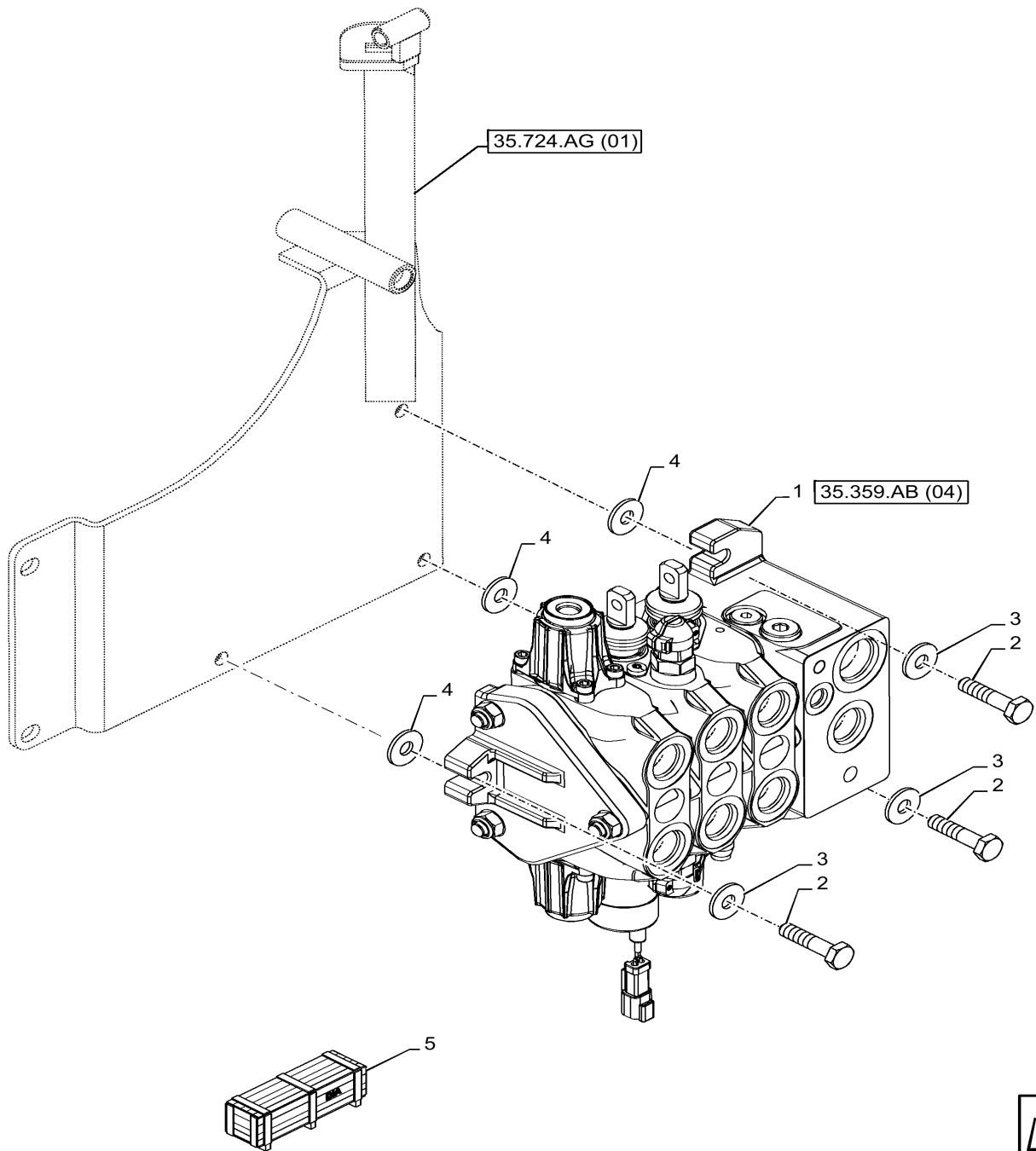


Figure is Valid with Industrial Var. 742700

35.359.AB

13

p1

11/202
0

VAR - 720725 - CONTROL VALVE, MECHANICAL, SEAL SHEET

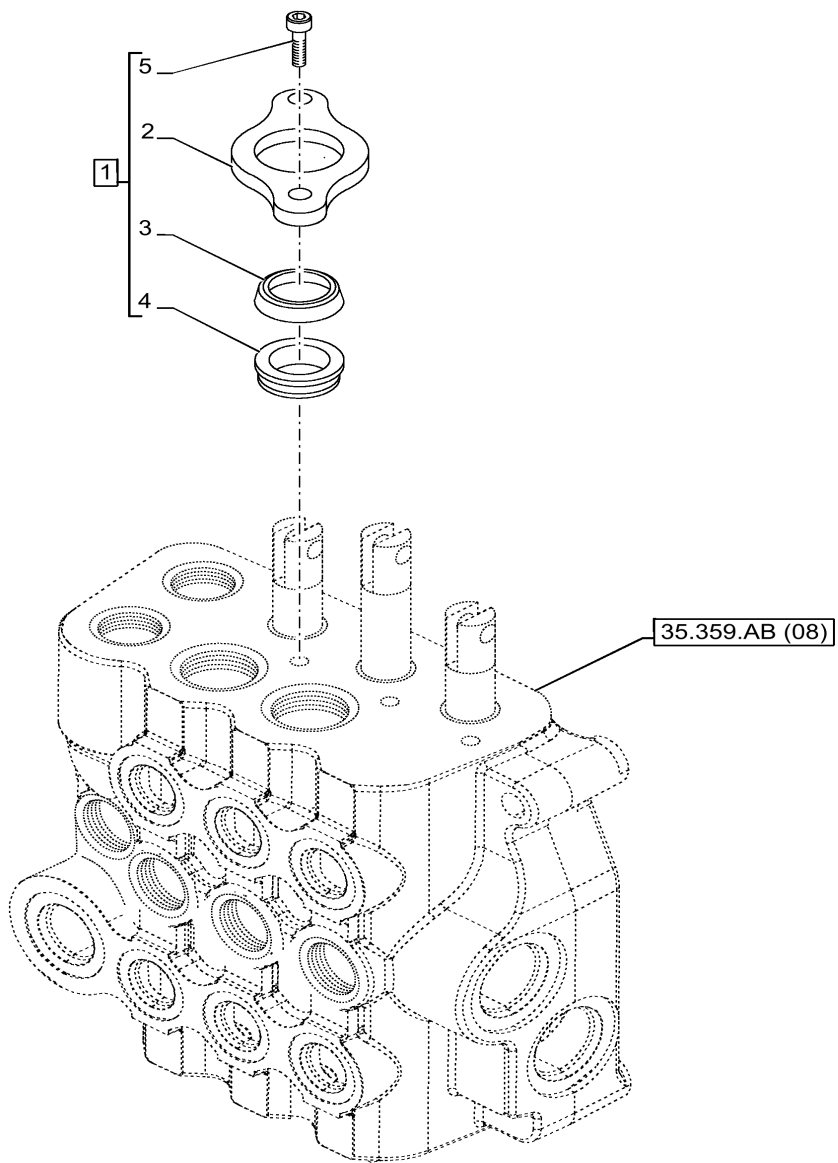


Figure is Valid with Industrial Var. 720725

35.359.AE

07

p1

11/2020

VAR - 720725 - CONTROL VALVE LINE, MECHANICAL

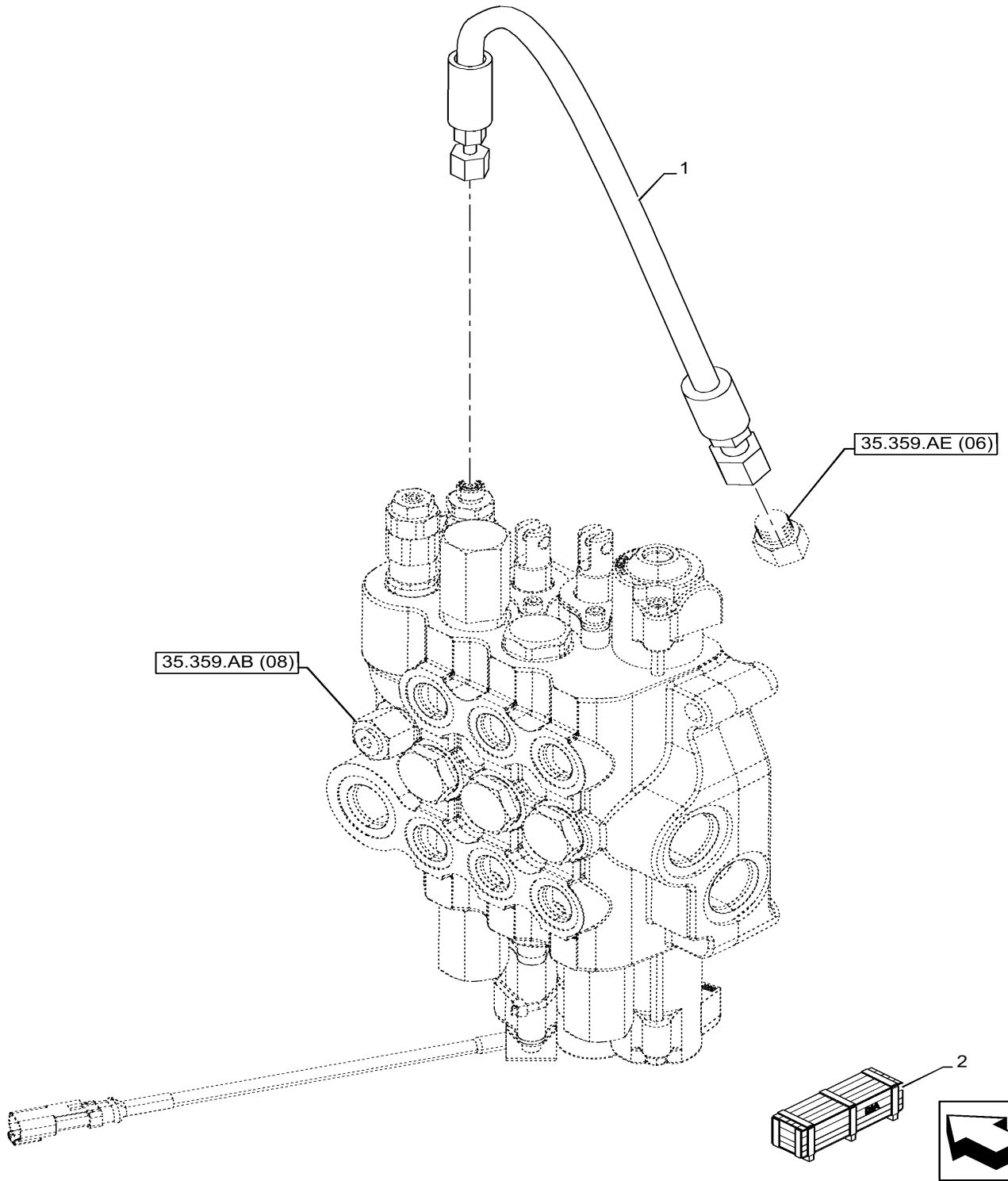


Figure is Valid with Industrial Var. 720725

35.360.AB

04

p1

11/2020

VAR - 742017 - HAMMER, HYDRAULIC LINE, FLOW CONTROL VALVE, RESERVOIR, PILOT CONTROLS - END YR 06-OCT-2015

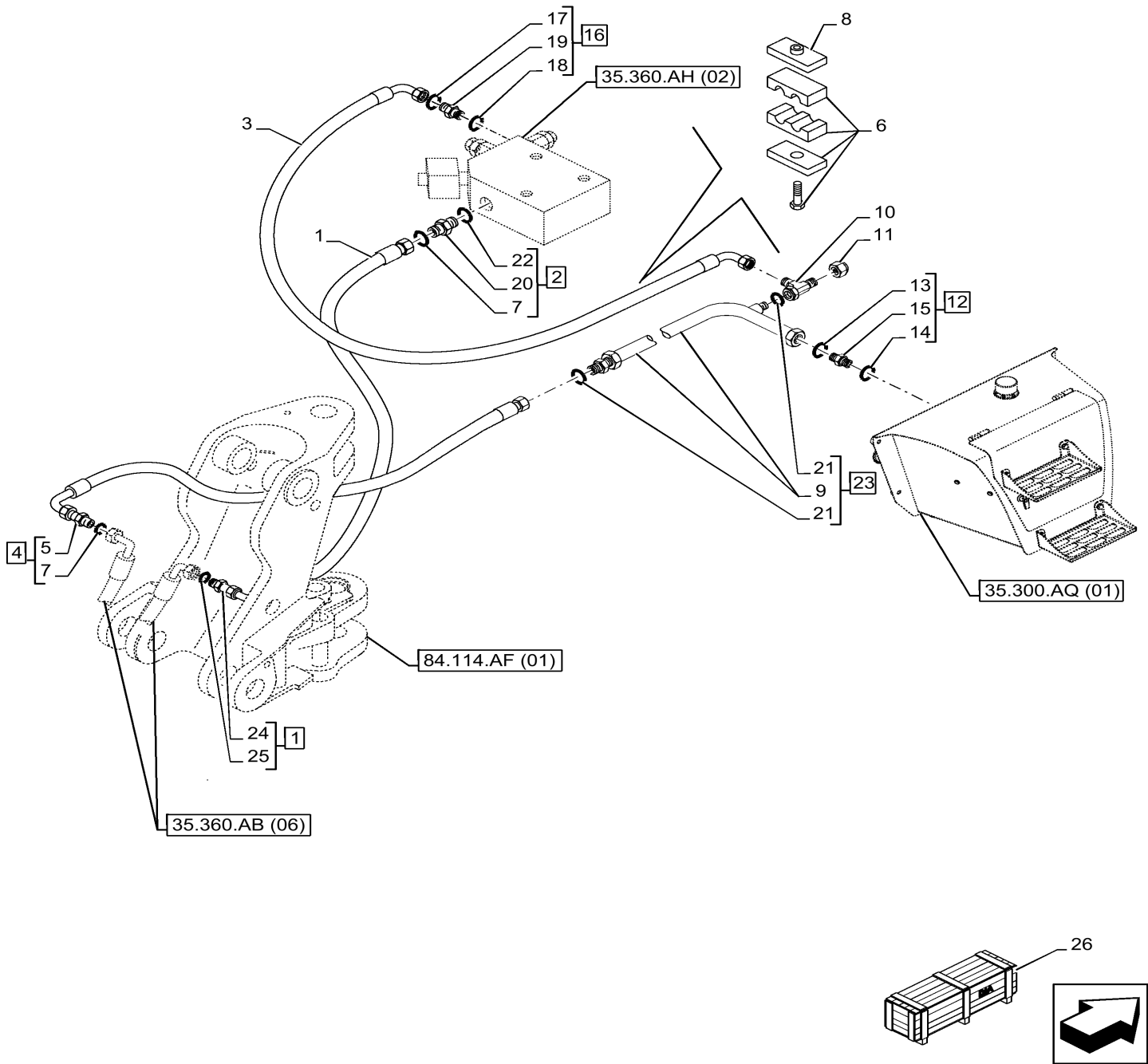


Figure is Valid with Industrial Var. 742017; C7443 Before Date 07 October 2015

35.360.AK

01

p1

11/2020

VAR - 742017 - HAMMER SYSTEM KIT, HYDRAULIC LINE, MECHANICAL

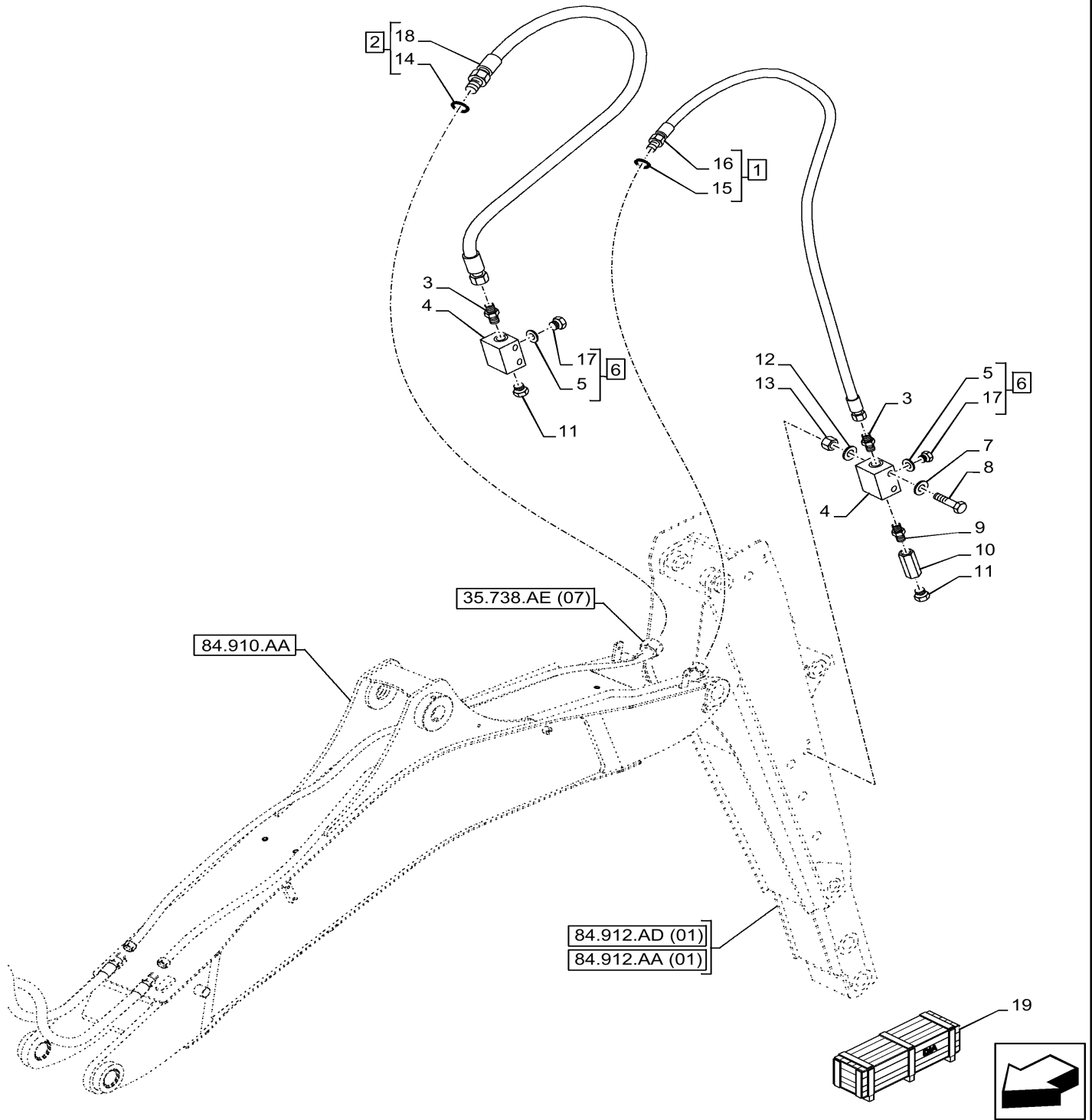


Figure is Valid with Industrial Var. 742017; D7443 After Date 06 October 2015

35.701.BQ

p1

11/202
0

VAR - 423099, 742019 - RIDE CONTROL, VALVE

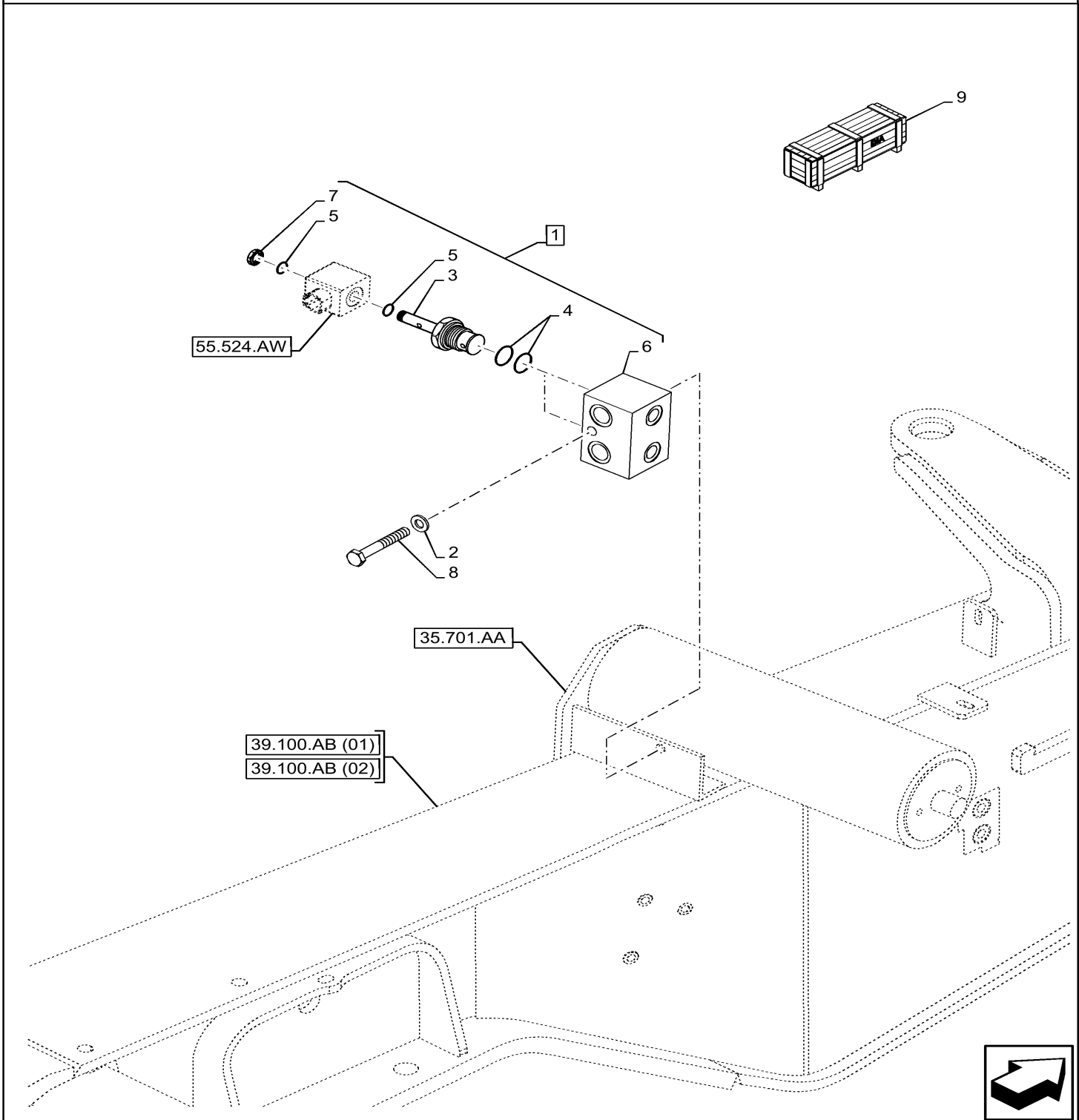


Figure is Valid with Industrial Var. 423099, 742019

35.703.AI

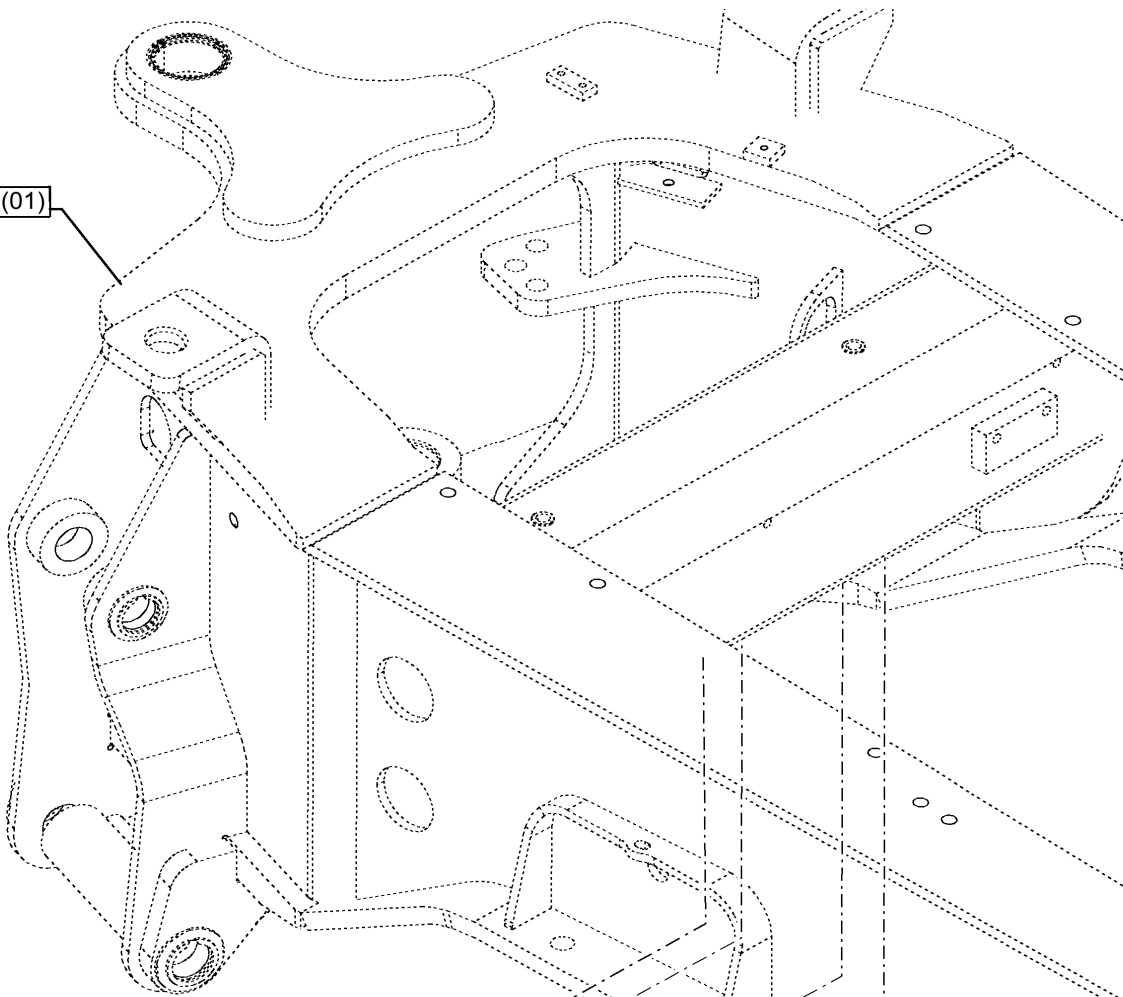
01

p1

11/202
0

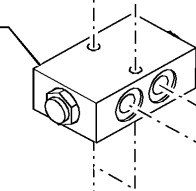
STABILIZER, CHECK VALVE

39.100.AB (01)



35.703.AI (02)

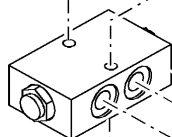
1



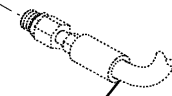
3

2

1 35.703.AI (02)



35.703.AD (02)



35.724.AE

p1

11/2020

VAR - 742302, 742700 - CONTROL VALVE, LEVER, PILOT CONTROLS

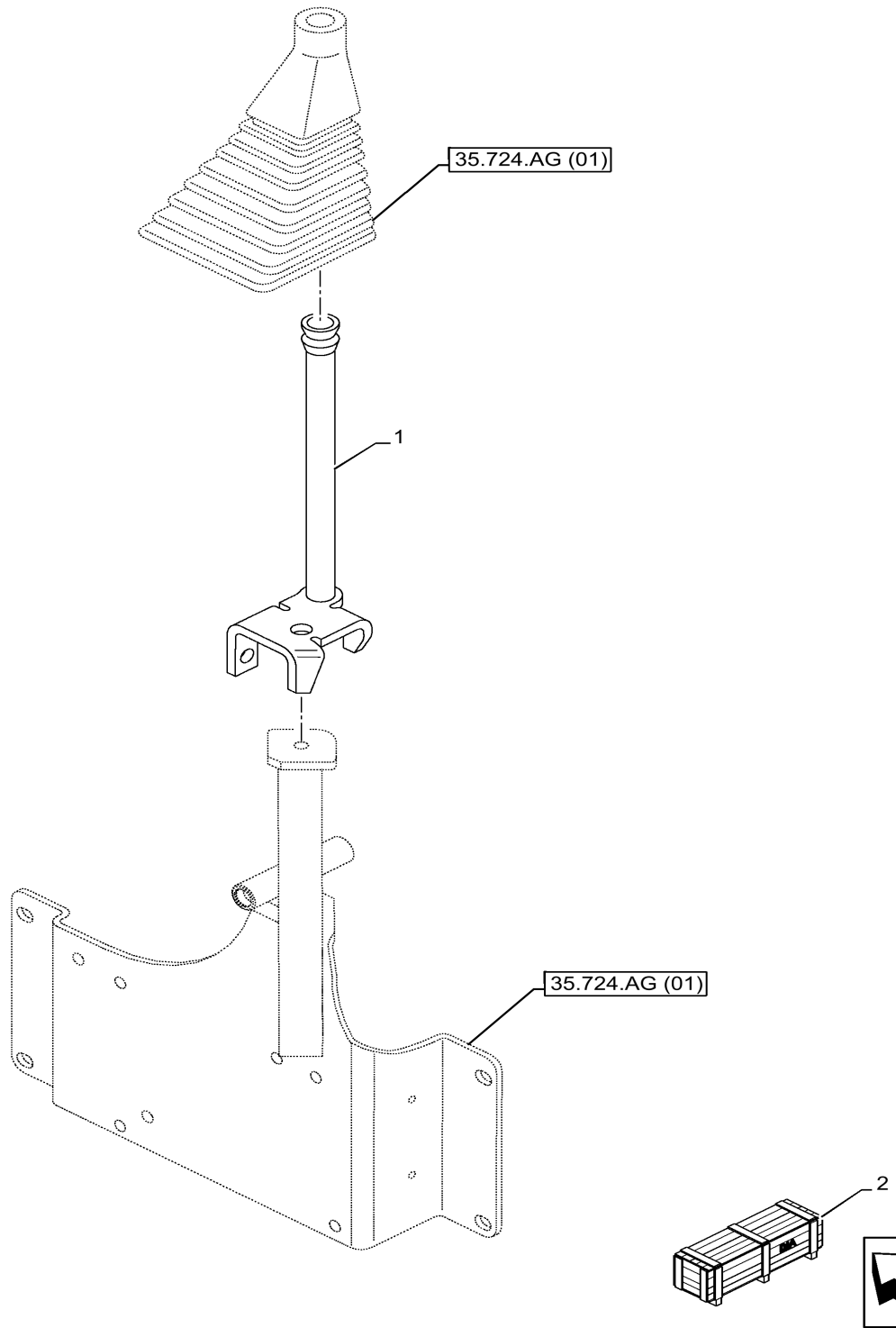


Figure is Valid with Industrial Var. 742302, 742700

35.726.AD

03

p1

11/2020

VAR - 742331, 742333, 742335 - BACKHOE CONTROL VALVE, 6,7 SECTIONS, INLET SECTION, PILOT CONTROLS

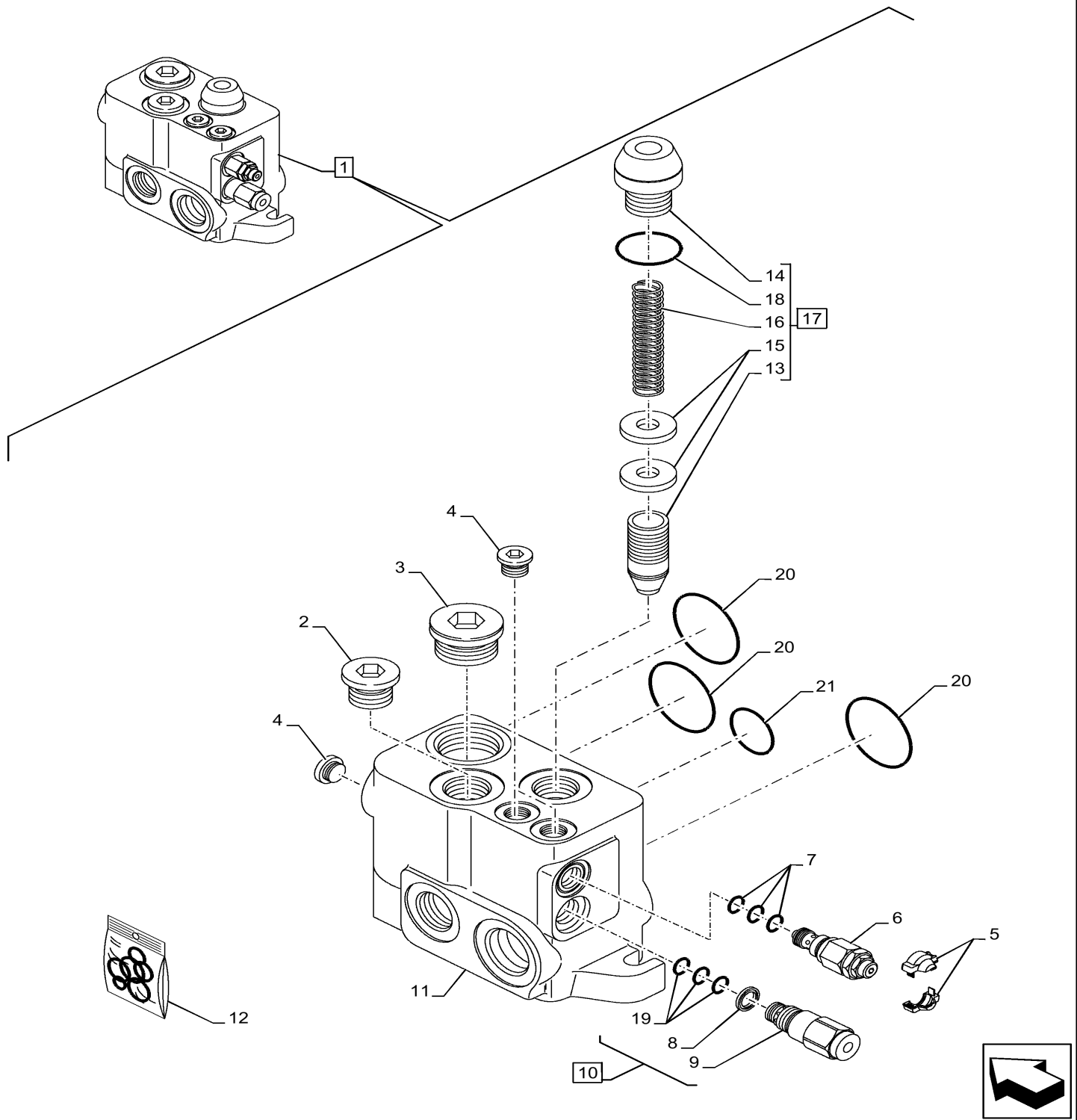


Figure is Valid with Industrial Var. 742331, 742333, 742335

35.726.AD

09

p1

11/2020

VAR - 742024 - BACKHOE CONTROL VALVE, 6 SPOOL, MECHANICAL, COMPONENTS

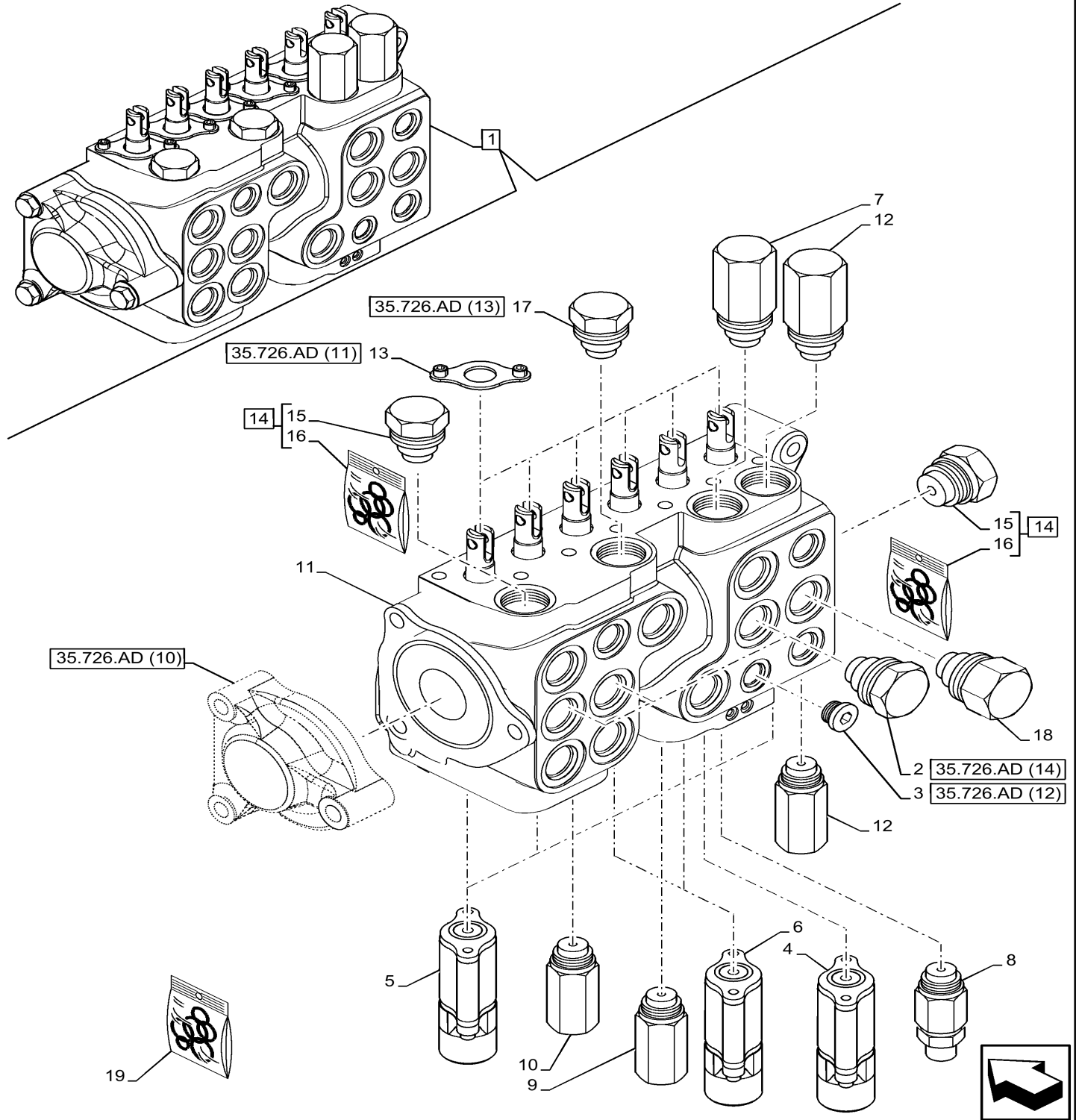


Figure is Valid with Industrial Var. 742024

35.726.AE

02

p1

11/202
0

VAR - 742333, 742335 - BACKHOE CONTROL VALVE, HAND CONTROL VALVE, TOWER, ASSY

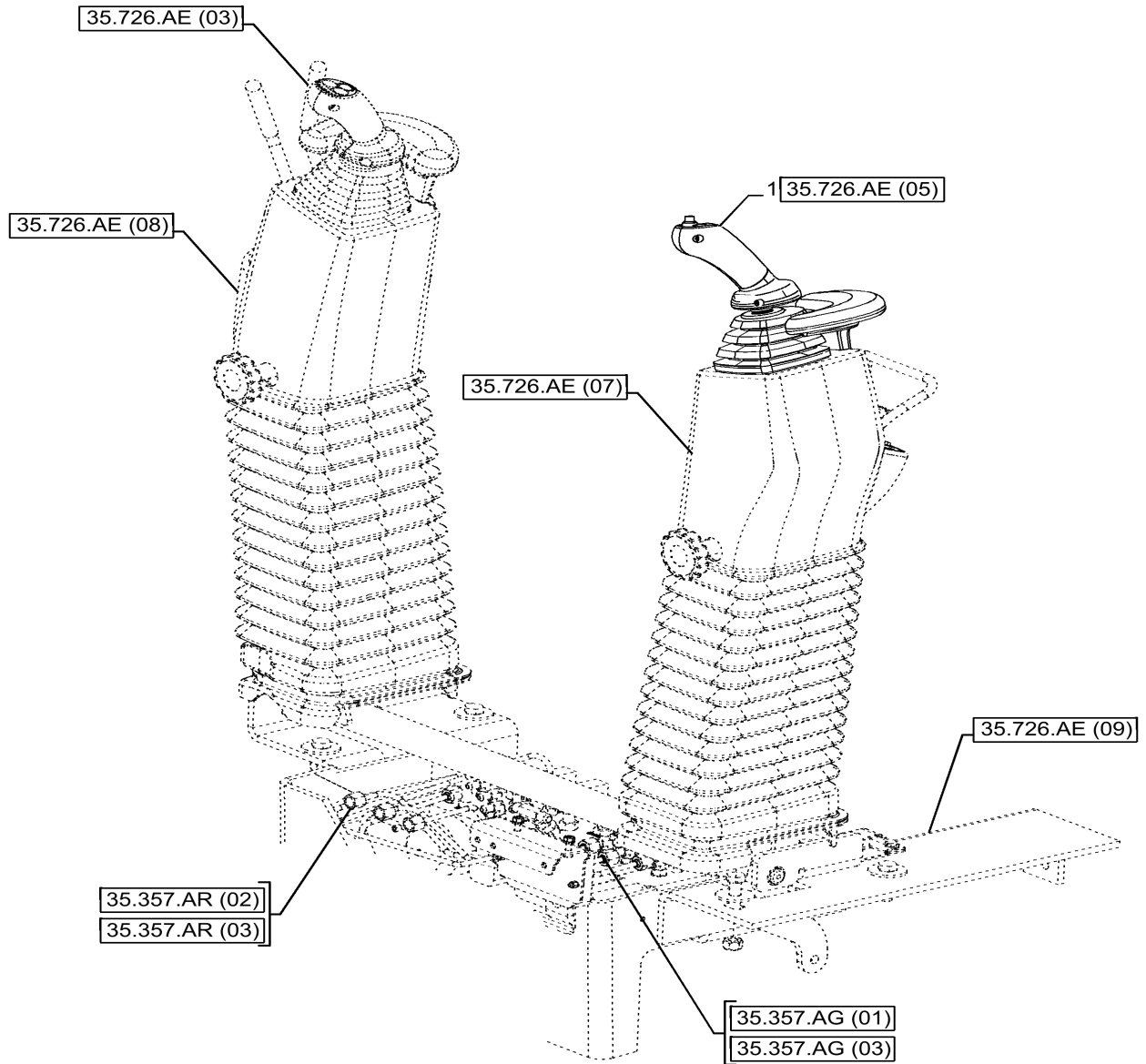


Figure is Valid with Industrial Var. 742333, 742335

35.726.AE

07

p1

11/2020

VAR - 742331, 742333, 742335 - CAB, REAR, BACKHOE LEVERS HANDLE & BOOT

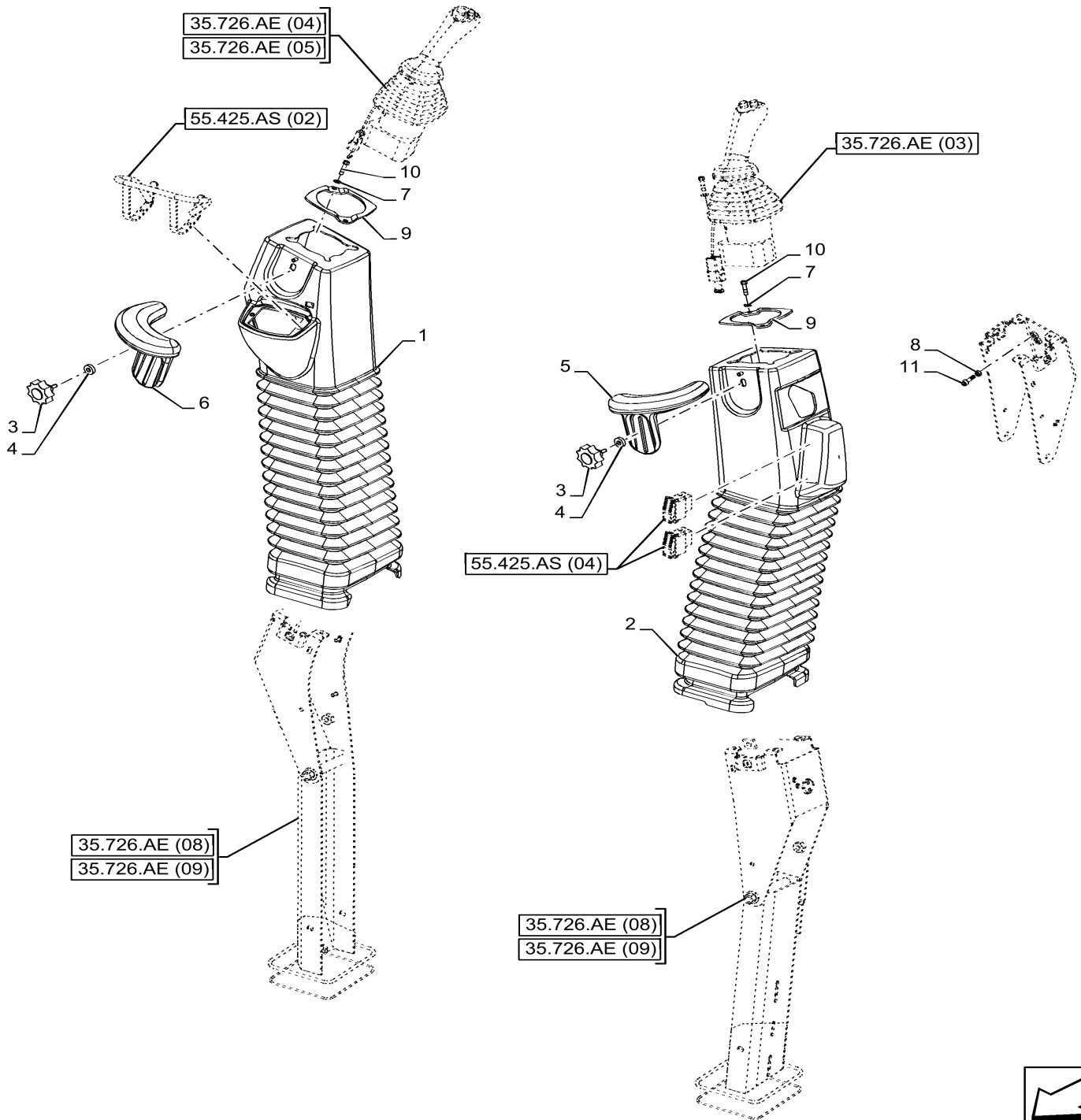


Figure is Valid with Industrial Var. 742331, 742333, 742335

35.728.AG

03

p1

11/2020

VAR - 720721, 728727 - TELESCOPIC DIPPER, PEDAL, MECHANICAL, COMPONENTS

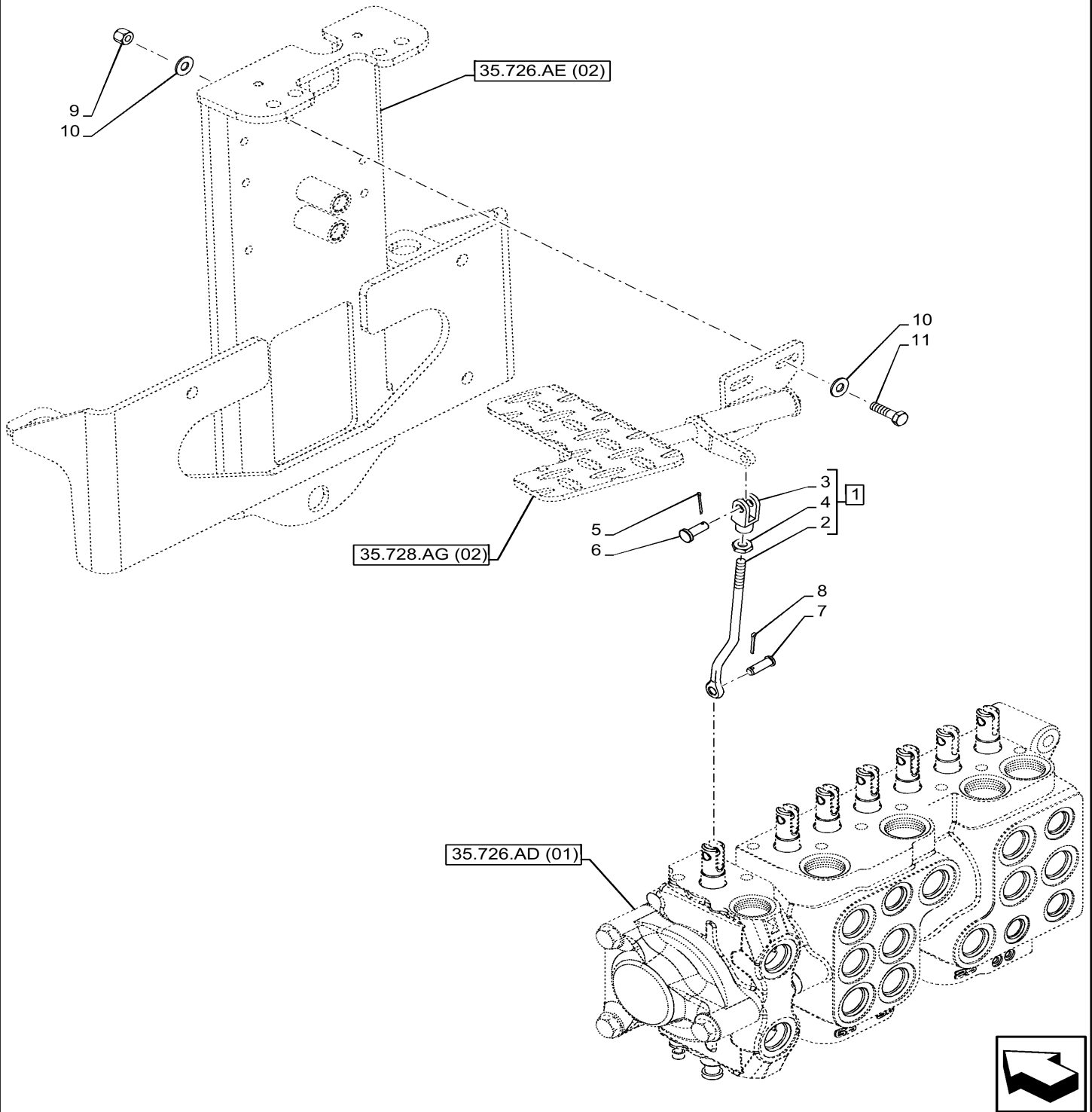


Figure is Valid with Industrial Var.720721, 728727

35.737.AA

03

p2

11/2020

VAR - 742900, 742901 - CYLINDER, DIPPER, COMPONENTS (4.72 M)

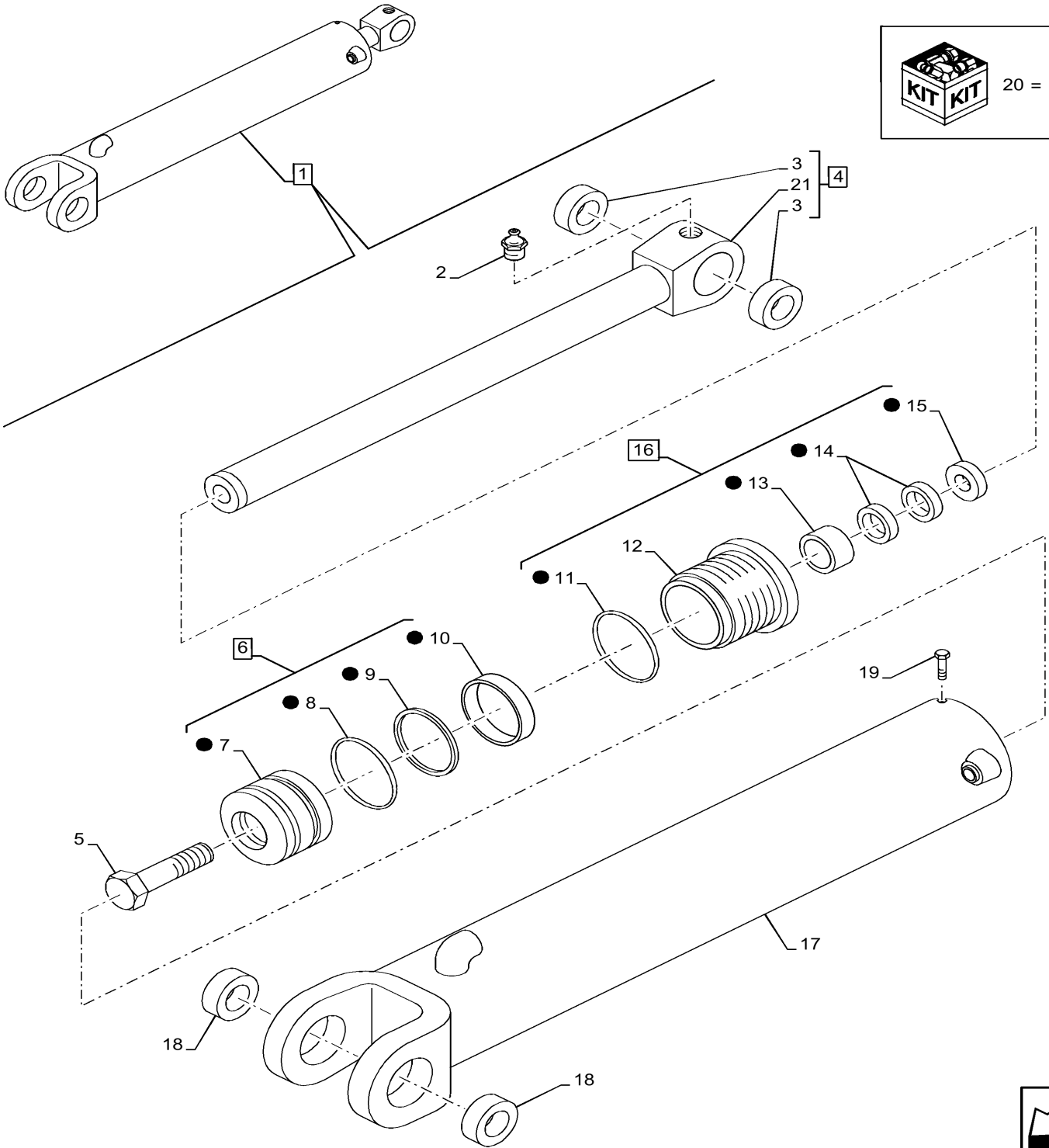
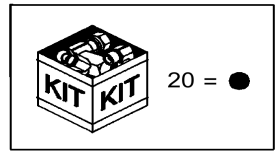


Figure is Valid with Industrial Var. 742900, 742901

35.738.AE

06

p1

11/202
0

VAR - 720721, 728727 - BUCKET CYLINDER, LINE, BACKHOE HED DIPPER, MECHANICAL

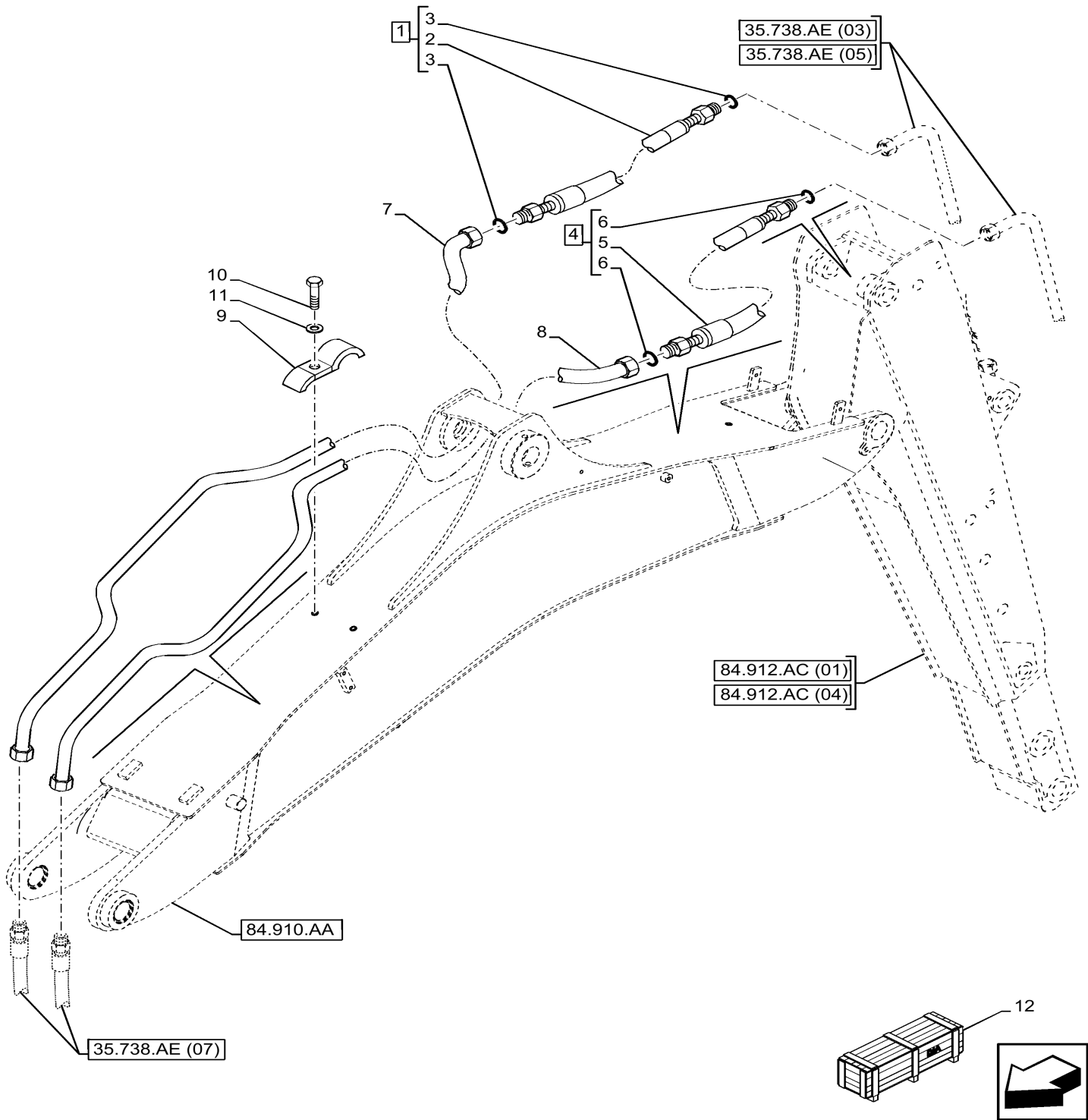


Figure is Valid with Industrial Var. 720721, 728727

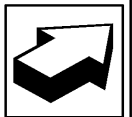
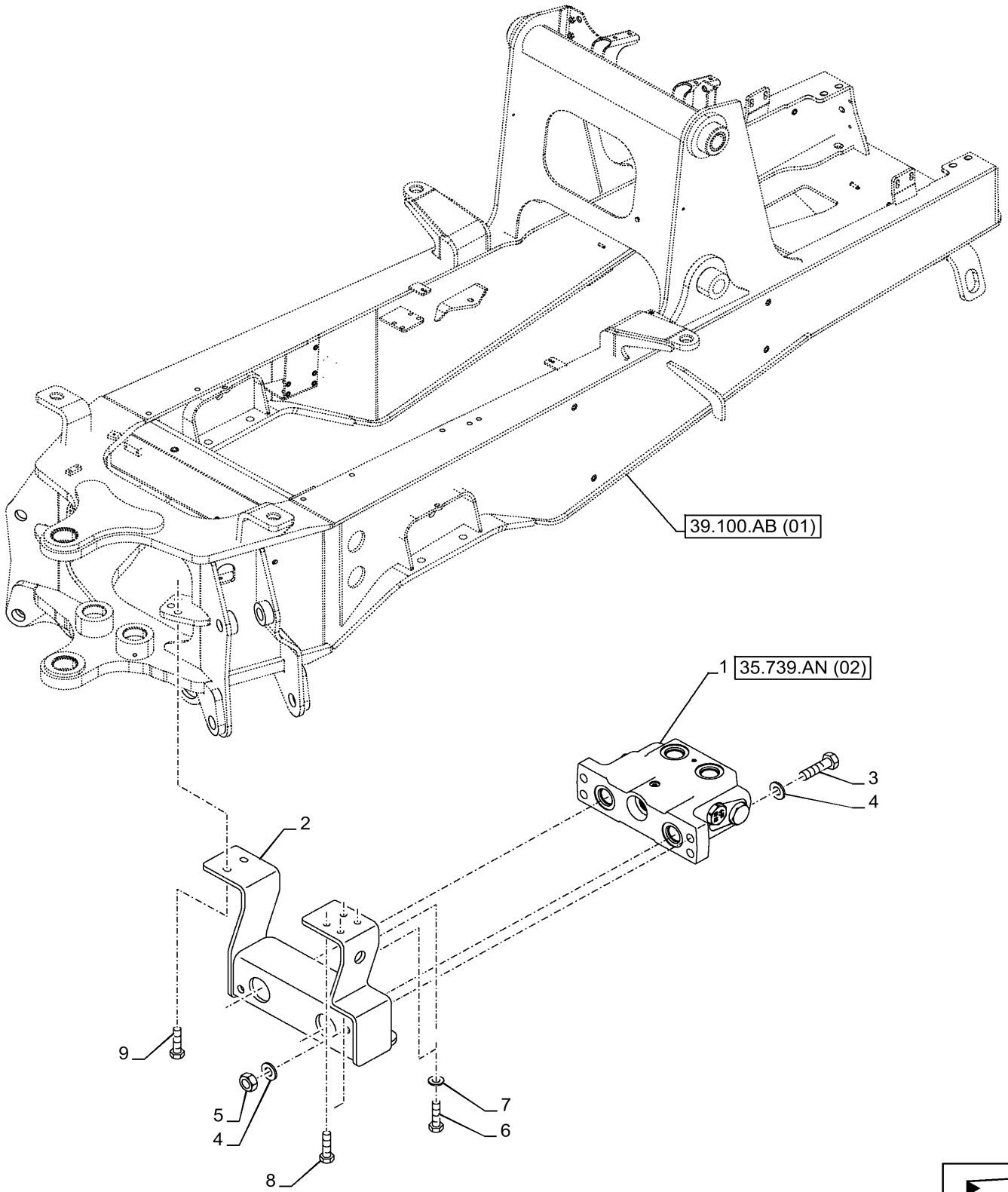
35.739.AN

01

p1

11/202
0

SWING CUSHION OR DAMPENING VALVE, PILOT CONTROLS



35.741.AO

01

p1

11/2020

VAR - 742471, 742472, 742473, 742474 - LOADER BUCKET CYLINDER LINES (4X1)

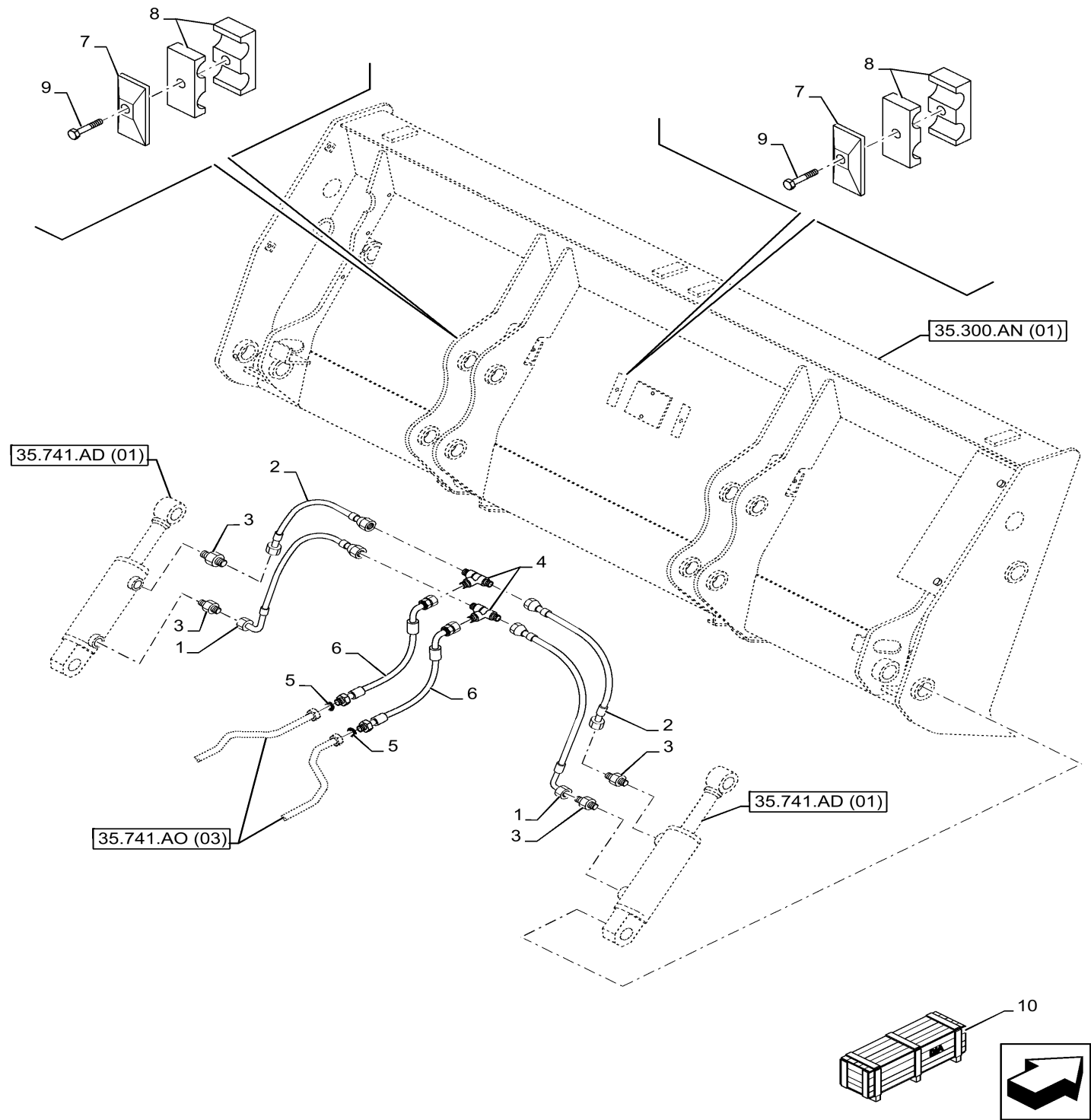
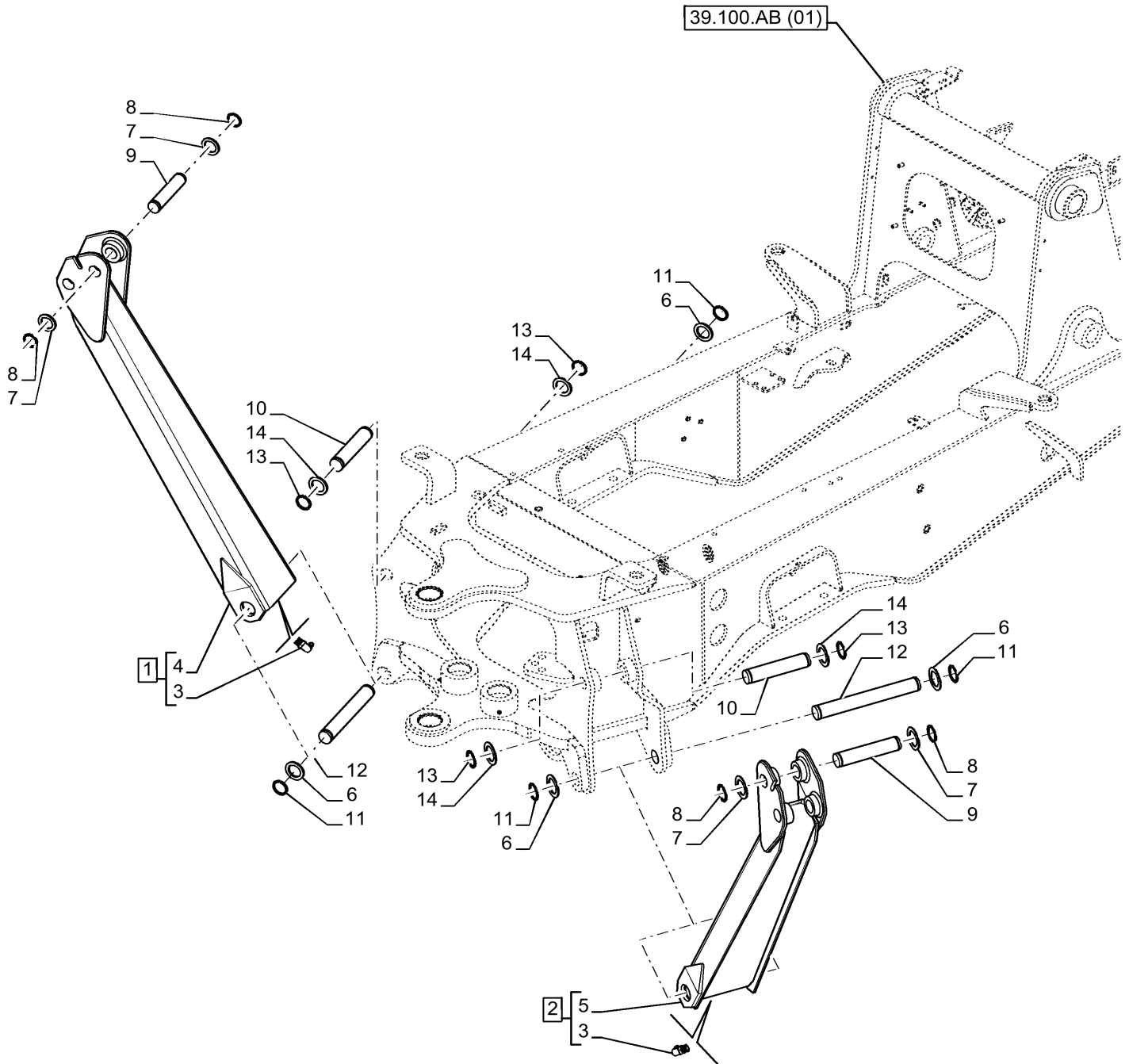
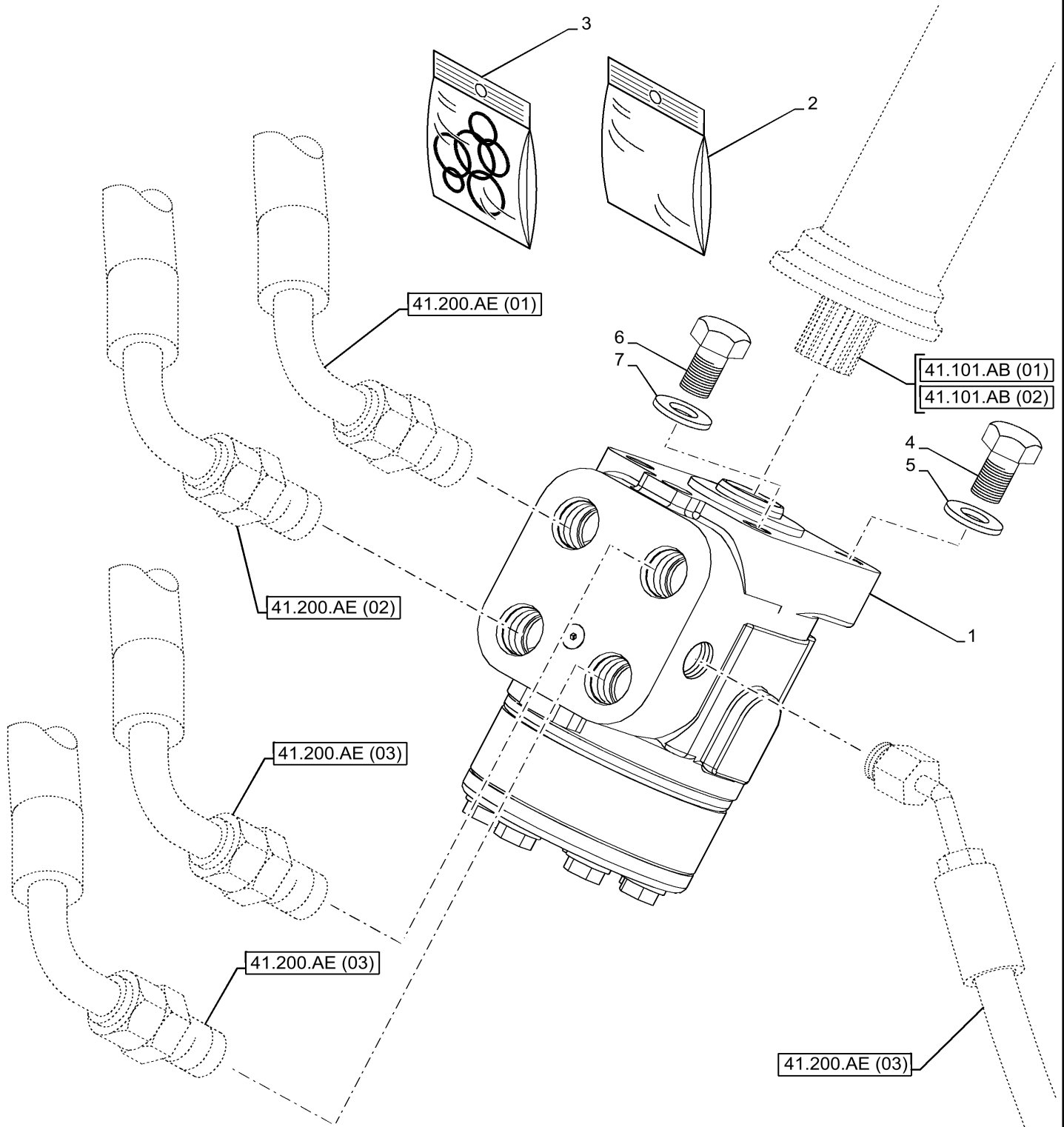


Figure is Valid with Industrial Var. 742471, 742472, 742473, 742474

STABILIZER LEG



STEERING VALVE, PILOT CONTROLS



41.216.AN

01

p1

11/2020

VAR - 742030, 742402, 742403 - FRONT AXLE, STEERING CYLINDER, 4WD

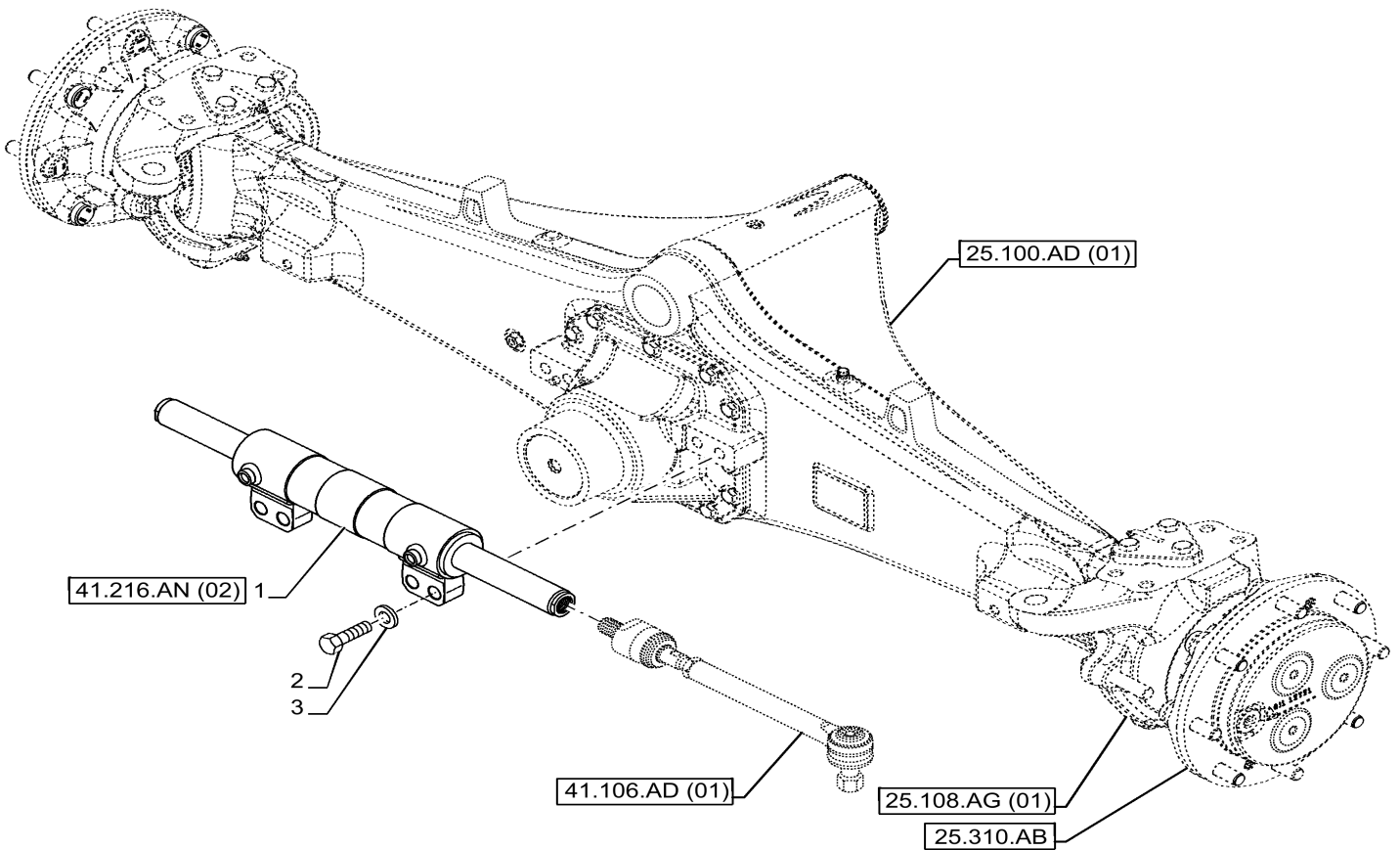


Figure is Valid with Industrial Var. 742030, 742402, 742403

44.520.AB

01

p1

11/202
0

VAR - 8362694 - REAR, WHEEL (W18LX24)

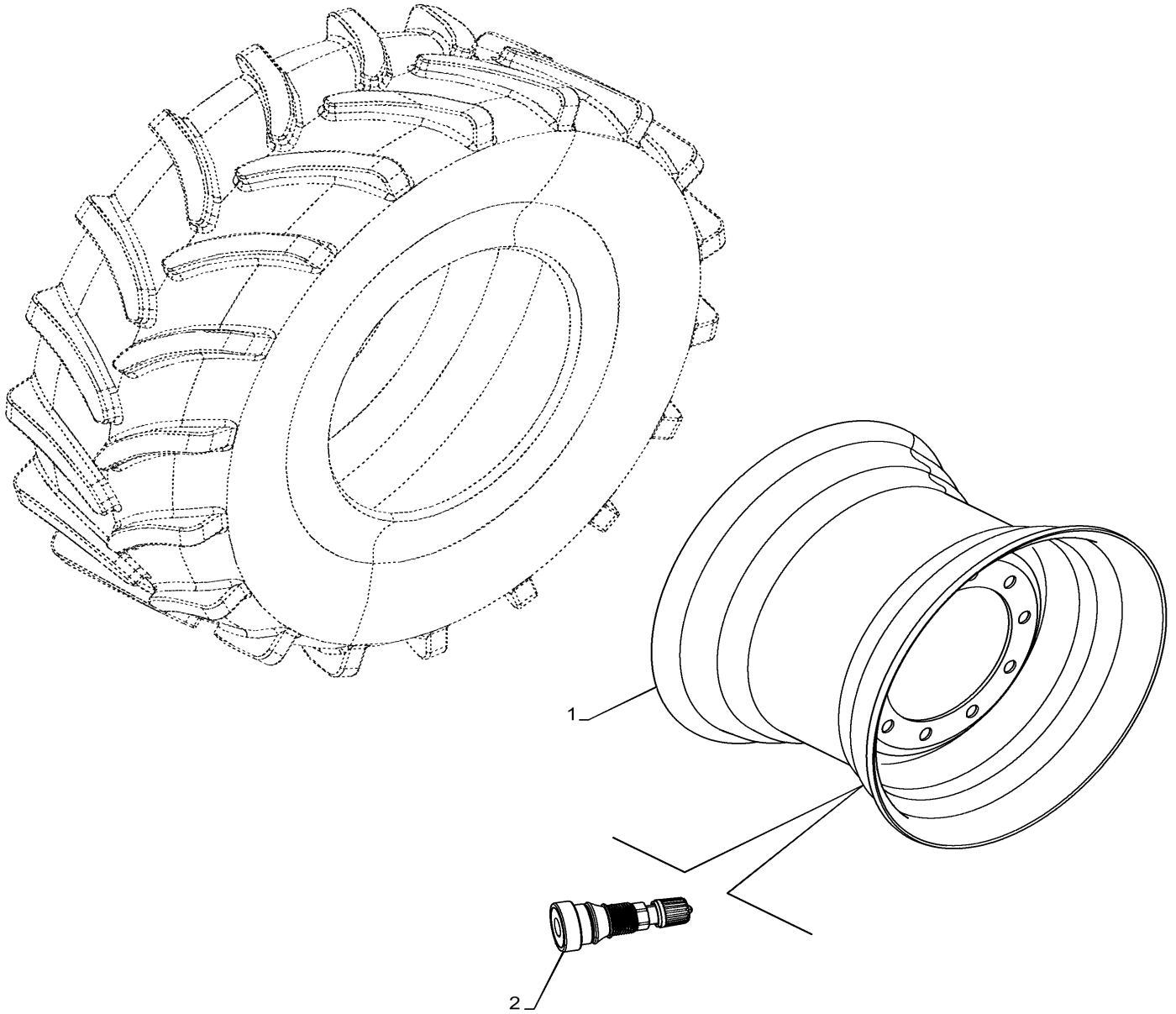


Figure is Valid with Industrial Var. 84146990

50.100.AI

02B

p1

11/2020

VAR - 742014 - CAB, HEATER - BEGIN YR 15-OCT-2019 - END YR 8-JUN-2020

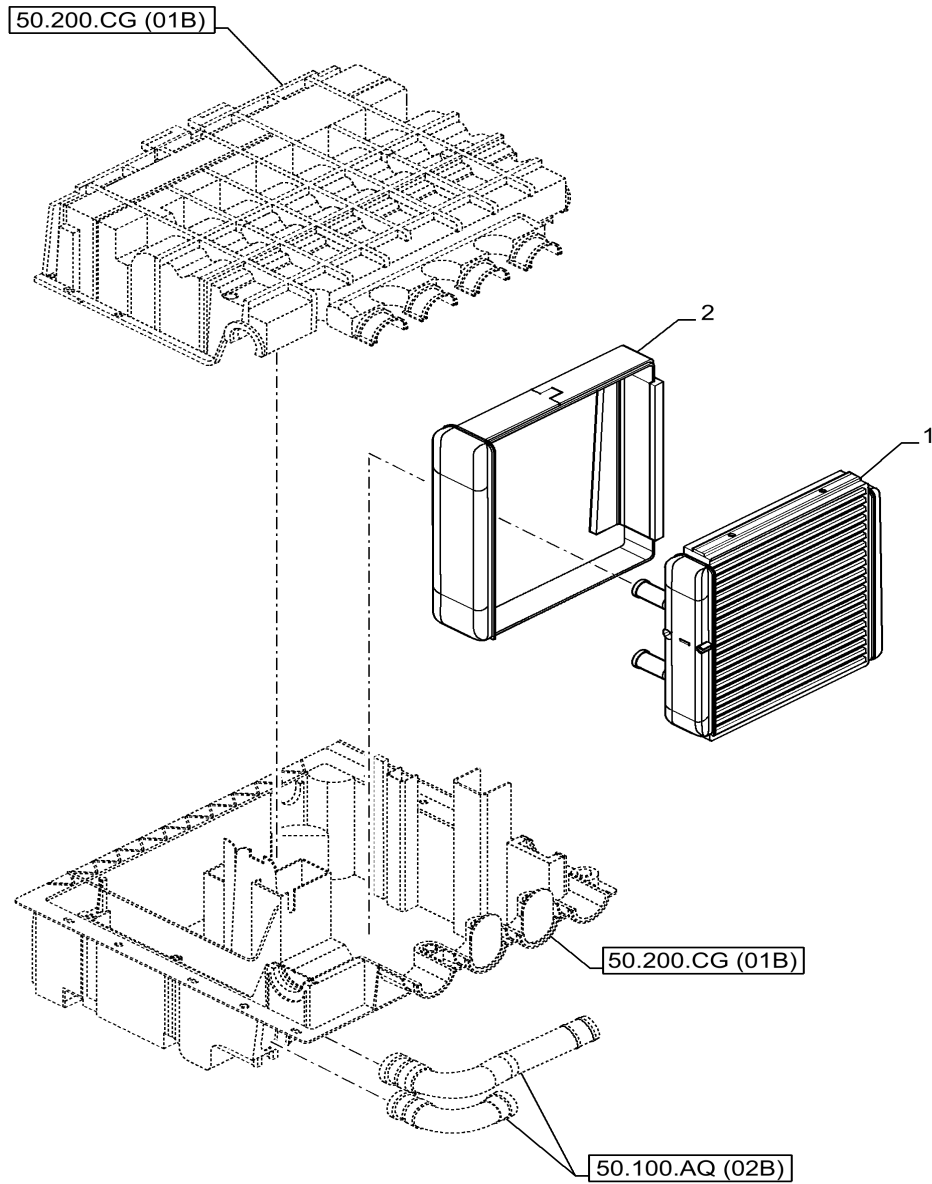


Figure is Valid with Industrial Var. 742014; DA426 After Date 14 October 2019; Before Date 9 June 2020

50.100.AT

01

p1

11/2020

VAR - 742014 - HEATER VALVE - END S/N NGHH01235

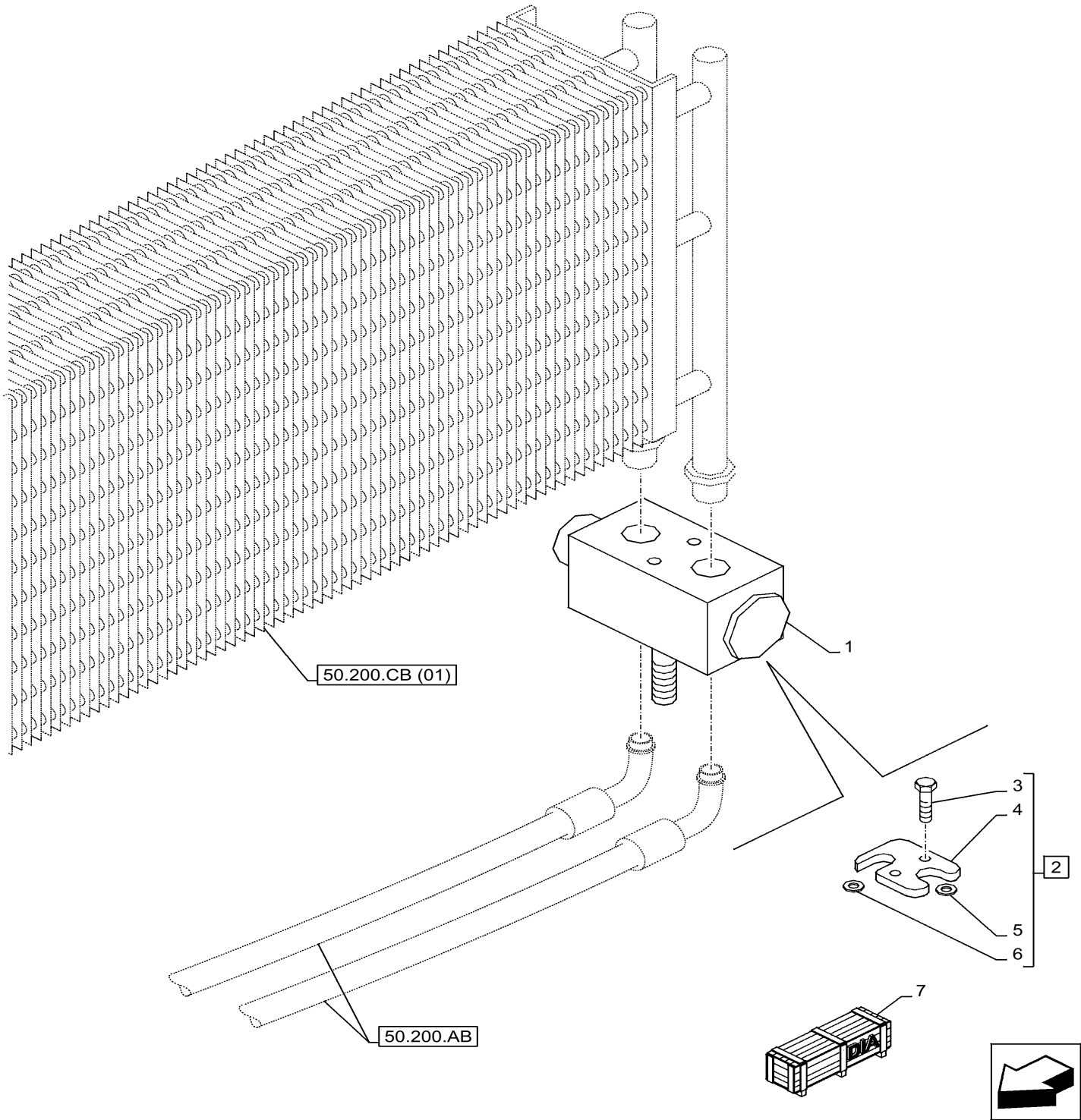


Figure is Valid with Industrial Var. 742014; C7428 Serial N. NGHH01235

CLICK HERE TO **DOWNLOAD** THE COMPLETE MANUAL

- Thank you very much for reading the preview of the manual.
- You can download the complete manual from: www.heydownloads.com by clicking the link below



- Please note: If there is no response to CLICKING the link, please download this PDF first and then click on it.

CLICK HERE TO **DOWNLOAD** THE COMPLETE MANUAL

50.104.AQ

02

p1

11/202
0

VAR - 742014 - CAB, AIR FILTER - END S/N NGHH01235

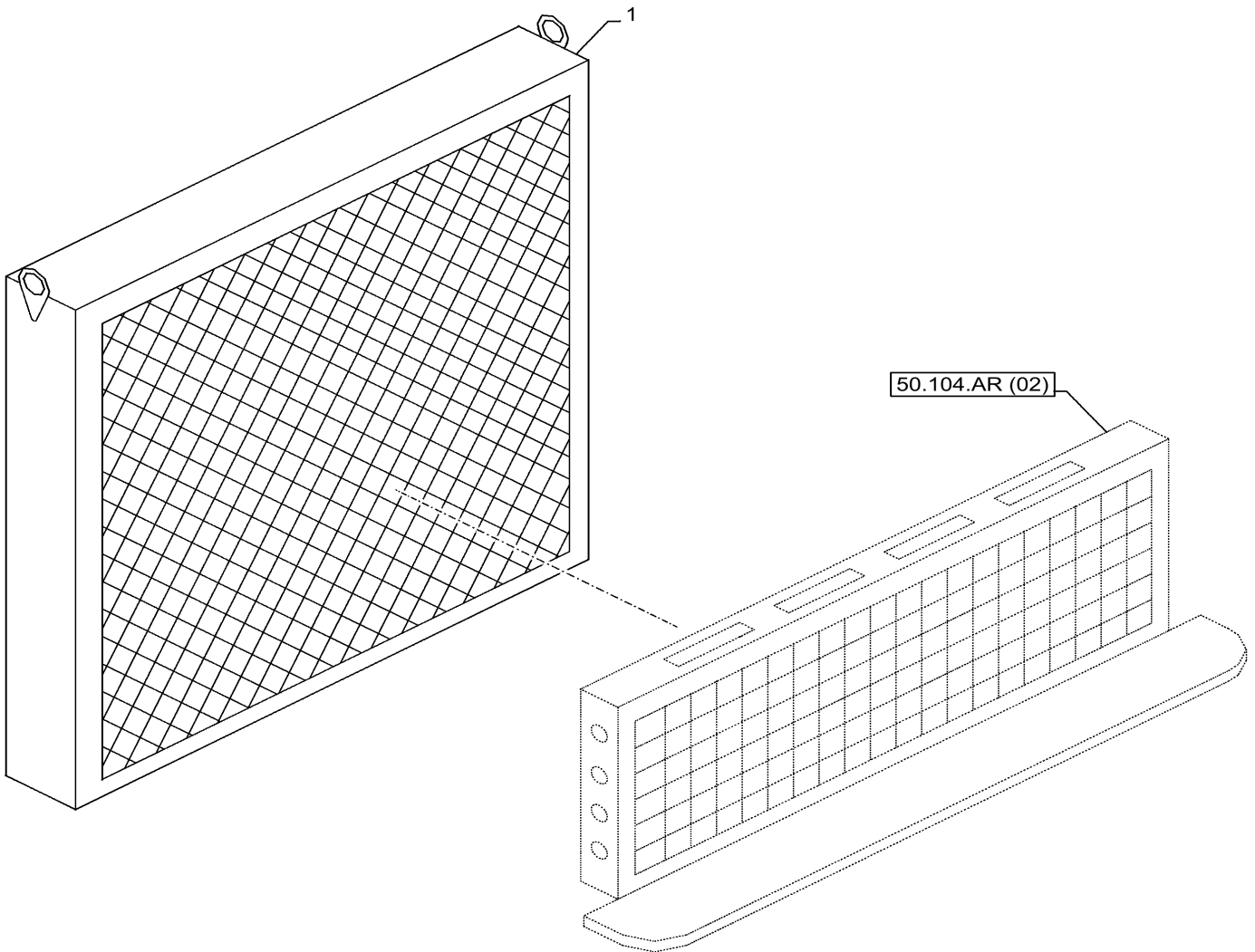


Figure is Valid with Industrial Var. 742014; C7428 Serial N. NGHH01235

VAR - 742014 - AIR CONDITIONING, EVAPORATOR - BEGIN YR 15-OCT-2019 - END YR 8-JUN-2020

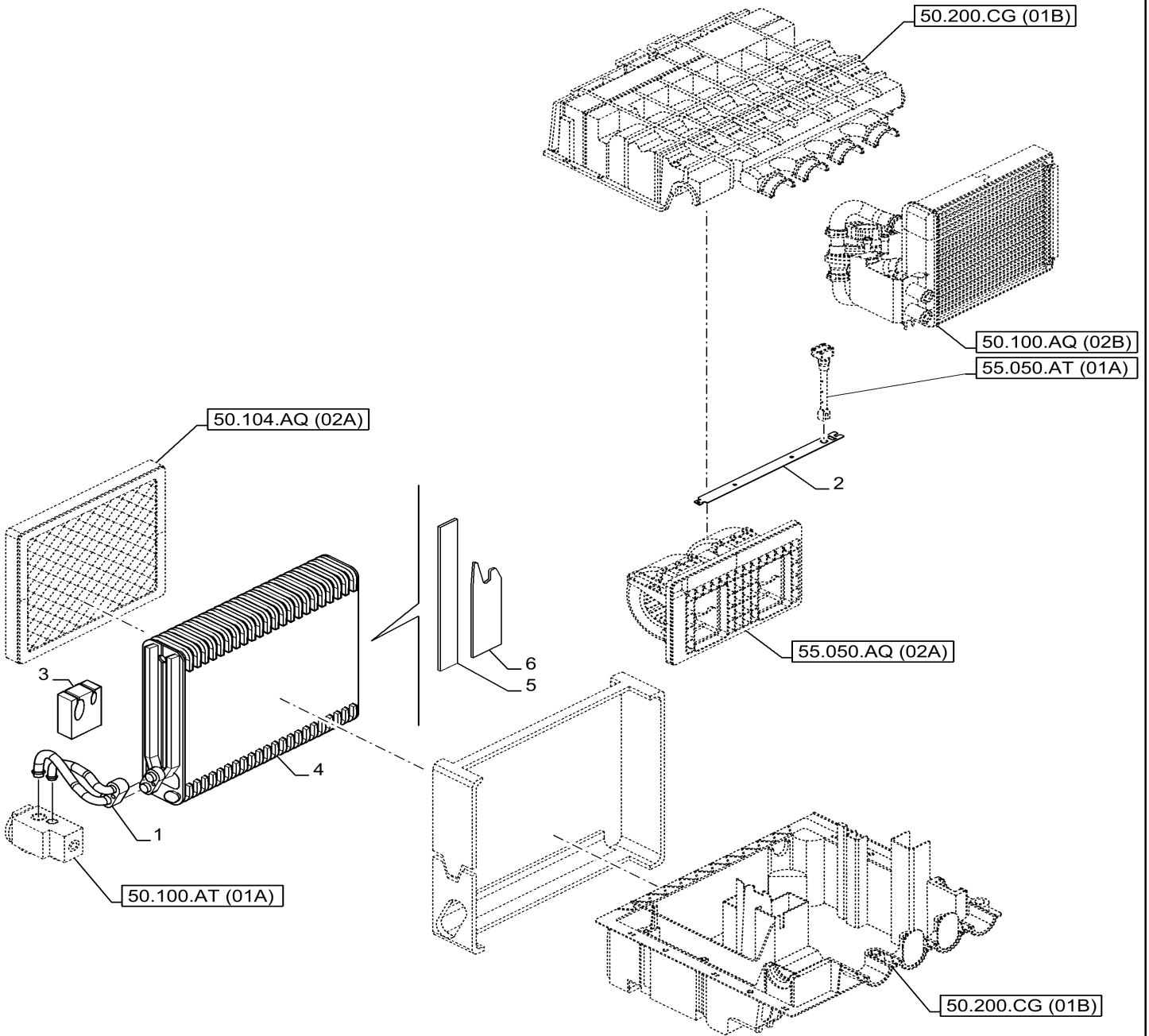


Figure is Valid with Industrial Var. 742014; DA426 After Date 14 October 2019; CA425 Before Date 9 June 2020

SECTION INDEX

ELECTRICAL SYSTEMS

55.425.AS	04	VAR - 742331, 742333, 742335 - BACKHOE CONTROL VALVE, PILOT CONTROLS, SWITCH
55.510.AF		CAB, CAB MAIN WIRE HARNESS, POWERSHIFT
55.510.AF		CAB, CAB MAIN WIRE HARNESS, POWERSHUTTLE
55.510.AF		ROPS, WIRE HARNESS, MAIN
55.510.AH		CAB, ROOF, WIRE HARNESS
55.510.AH		ROPS, ROOF, WIRE HARNESS
55.510.AN		HARNESS, CAB, FRONT, POWERSHIFT
55.510.AN		HARNESS, CAB, FRONT, POWERSHUTTLE
55.510.AN		HARNESS, ROPS, FRONT
55.510.BM		CAB, POWER SOCKET, BEACON
55.510.BQ	01	WIRE HARNESS, INSTRUMENT PANEL, RIGHT, FRONT, POWERSHIFT
55.510.BQ	01	WIRE HARNESS, INSTRUMENT PANEL, RIGHT, FRONT, POWERSHUTTLE
55.510.BQ	02	CAB, WIRE HARNESS, INSTRUMENT PANEL, RIGHT, REAR
55.510.BQ	02	ROPS, WIRE HARNESS, INSTRUMENT PANEL, RIGHT, REAR
55.511.AM		CAB, HARNESS, BEACON
55.512.AA	01	RADIO, ANTENNA
55.512.AA	02	RADIO, ANTENNA
55.512.BG		CAB, SWITCH, PANEL, RIGHT, POWERSHIFT
55.512.BG		CAB, SWITCH, PANEL, RIGHT, POWERSHUTTLE
55.512.BG		ROPS, SWITCH, PANEL, RIGHT
55.512.BL		CAB, MULTIFUNCTION SWITCH, POWERSHIFT
55.512.BL		CAB, MULTIFUNCTION SWITCH, POWERSHUTTLE
55.512.BO		VAR - 720394, 728393 - SWITCH, HORN
55.512.BQ	01	INSTRUMENT CLUSTER, SPEEDOMETER, FRONT, POWERSHIFT
55.512.BQ	01	VAR - 742787 - INSTRUMENT CLUSTER, FRONT, POWERSHUTTLE
55.512.BQ	02	VAR - 423095, 742011 - INSTRUMENT CLUSTER, SPEEDOMETER, FRONT, POWERSHUTTLE, 4WD
55.512.BQ	03	INSTRUMENT PANEL, CONSOLE, RIGHT
55.512.BQ	04	INSTRUMENT CLUSTER
55.512.BR	01	VAR - 742017 - CAB, HAMMER, ELECTRIC SYSTEM CONTROL, PEDAL, HARNESS
55.512.BR	01	VAR - 742017 - ROPS, HAMMER, ELECTRIC SYSTEM CONTROL, PEDAL, HARNESS
55.512.BR	02	VAR - 742017 - HAMMER, ELECTRIC SYSTEM CONTROL, PEDAL
55.512.CL		TRANSMISSION, POWERSHUTTLE, JOYSTICK

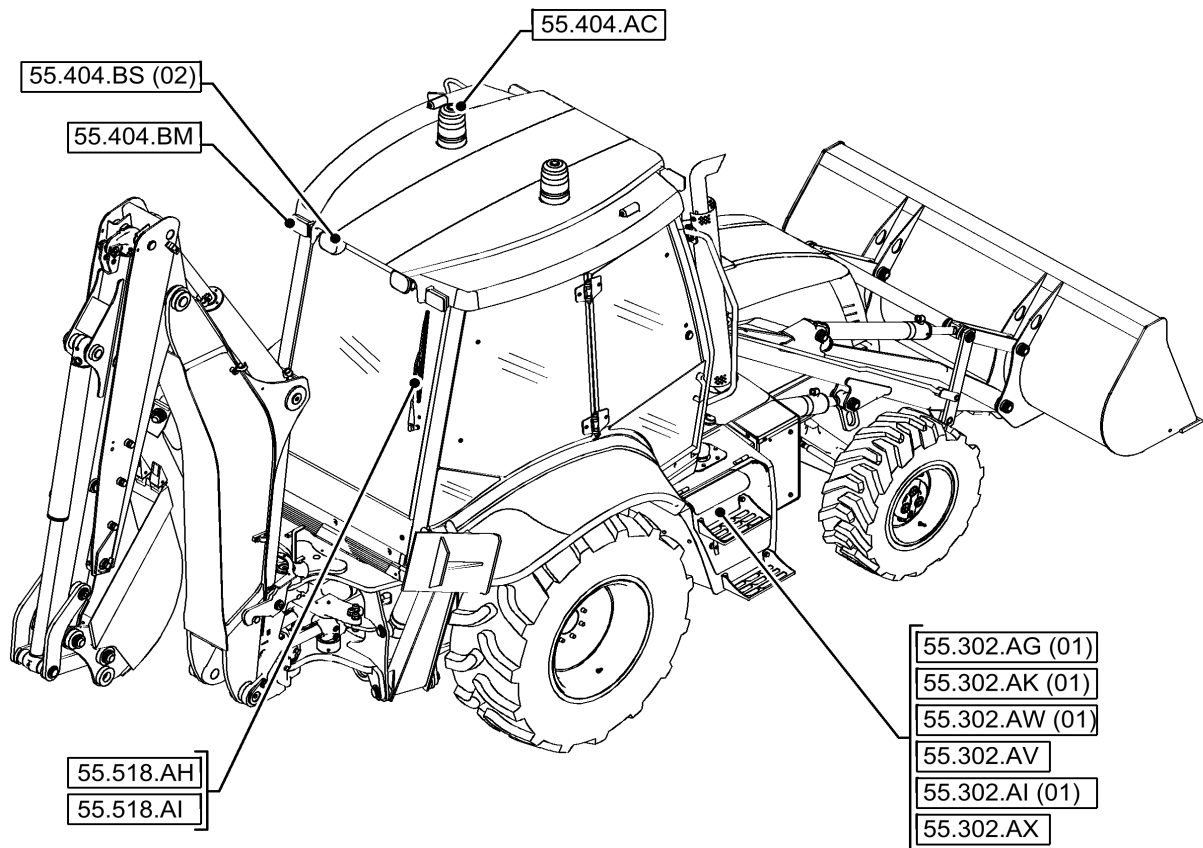
55.000.00

11

p1

11/202
0

SECTION INDEX - ELECTRICAL SYSTEMS



55.020.AB

p1

11/202
0

VAR - 742011, 742019 - TRANSMISSION, POWERSHUTTLE, SPEED SENSOR, 4WD

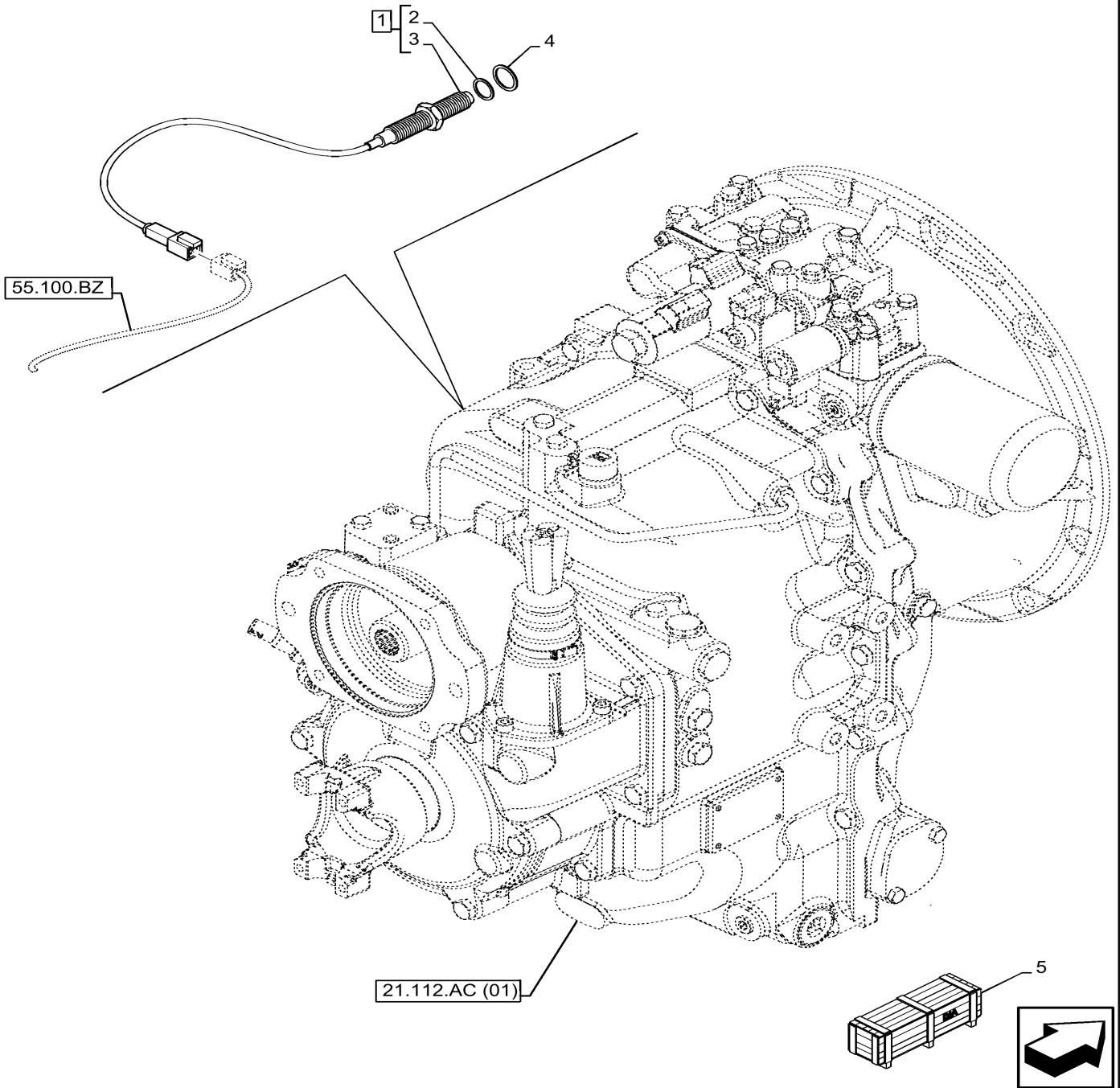


Figure is Valid with Industrial Var. 742011, 742019

55.035.AG

p1

11/202
0

VAR - 720725 - JOYSTICK, FRONT LOADER, POWERSHUTTLE, MECHANICAL

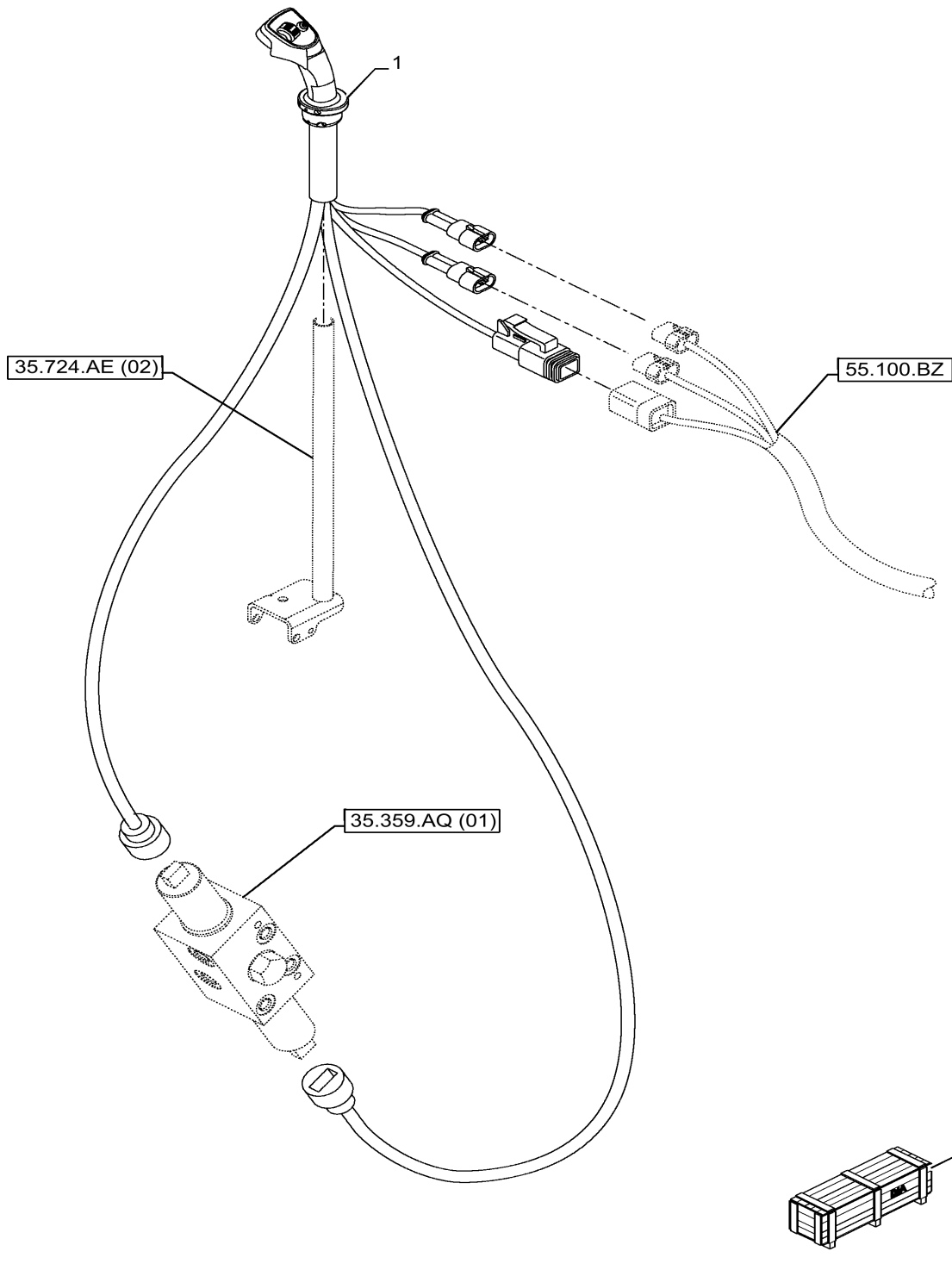


Figure is Valid with Industrial Var. 720725

55.050.AH

02A

p1

11/2020

VAR - 742014 - CAB, AIR CONDITIONING - HARNESS - BEGIN S/N NGHH01236

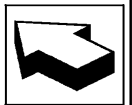
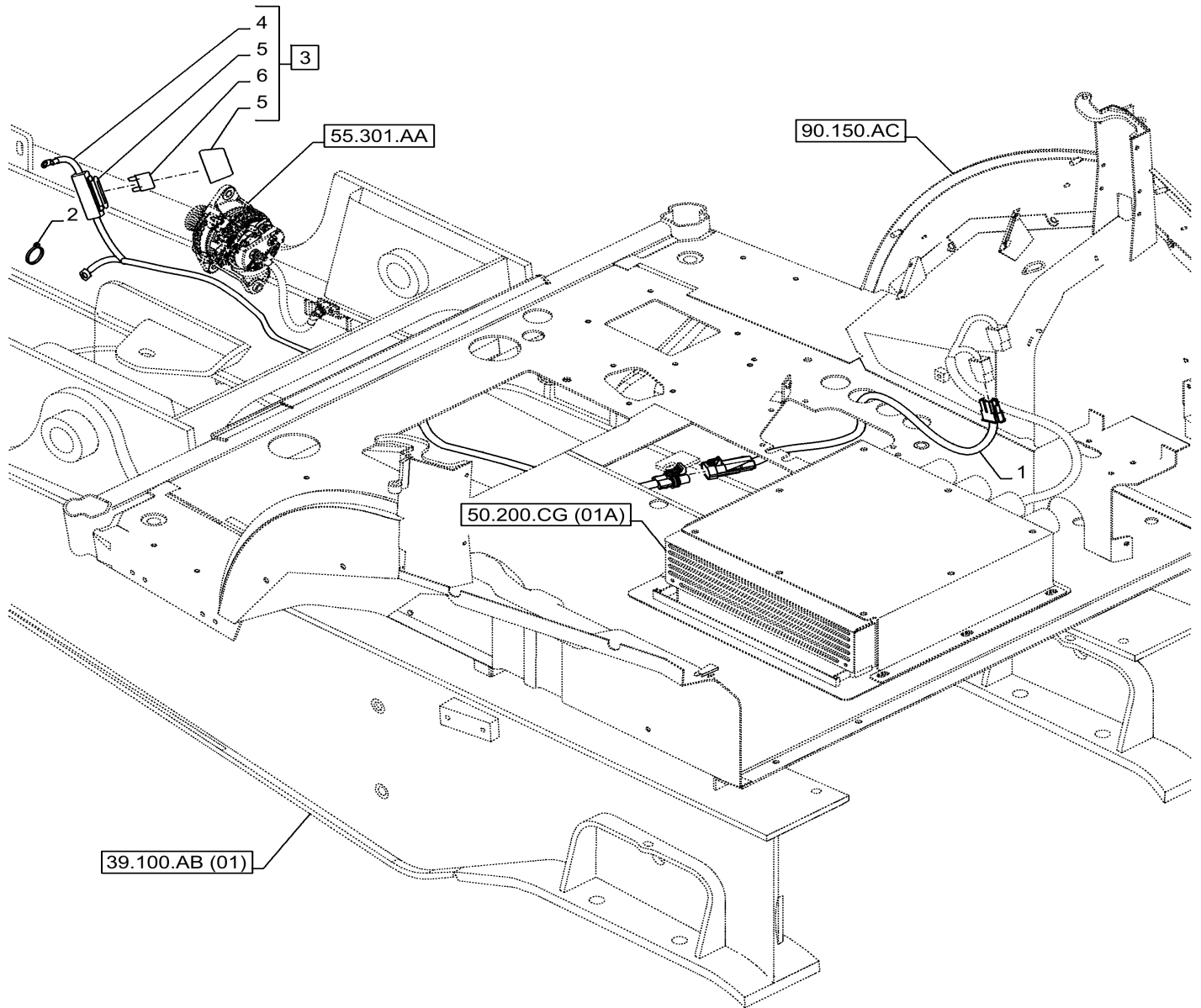


Figure is Valid with Industrial Var. 742014; D7428 Serial N. NGHH01236

55.050.AS

02B

p1

11/2020

VAR - 742014 - AIR CONDITIONING, BLOWER, RESISTOR - BEGIN YR 15-OCT-2019 - END YR 8-JUN-2020

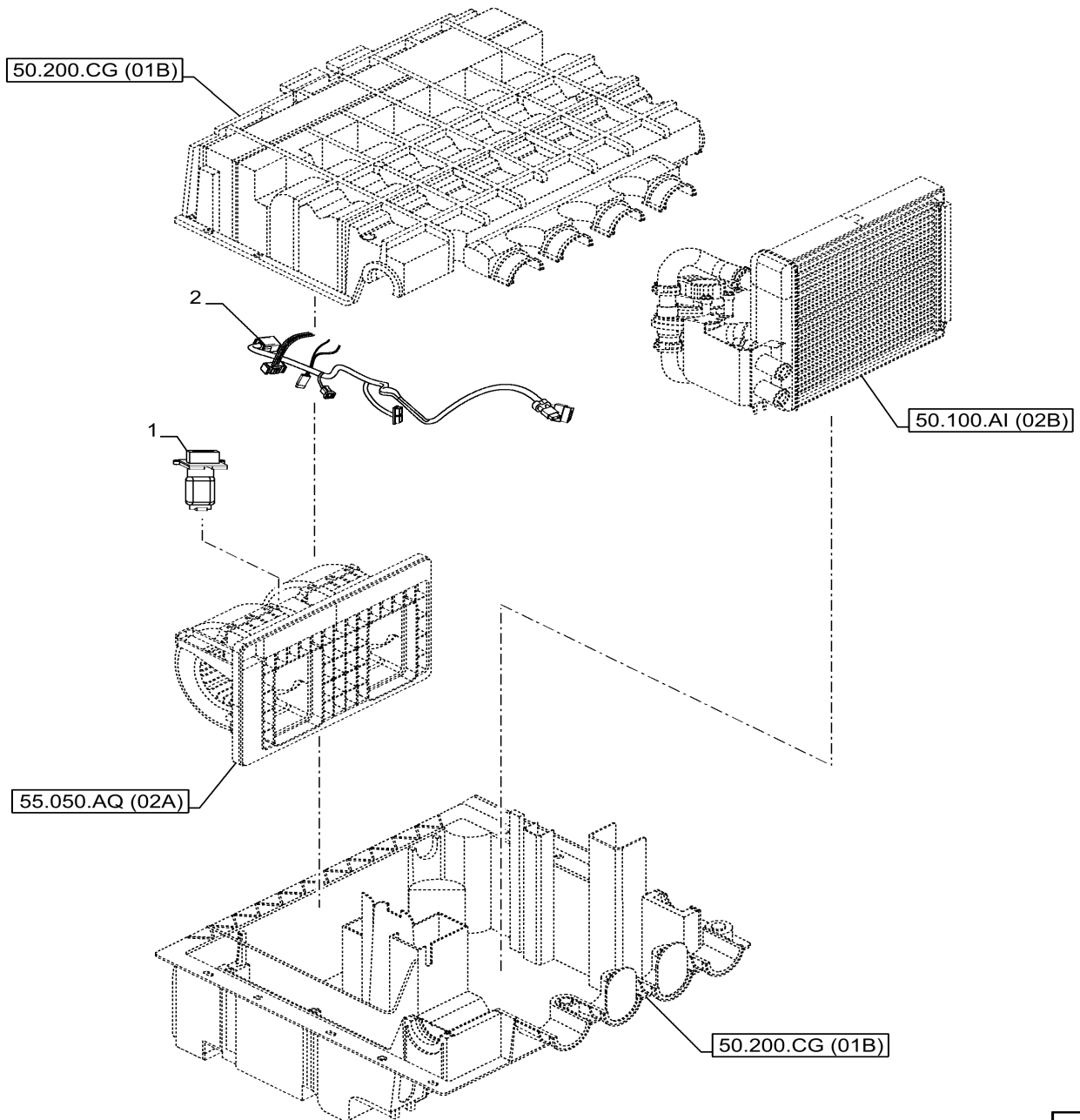


Figure is Valid with Industrial Var. 742014; DA426 After Date 14 October 2019; Before Date 9 June 2020

55.100.AW

03

p1

11/2020

VAR - 742010 - LIFT CYLINDER, LOCK VALVE, HARNESS

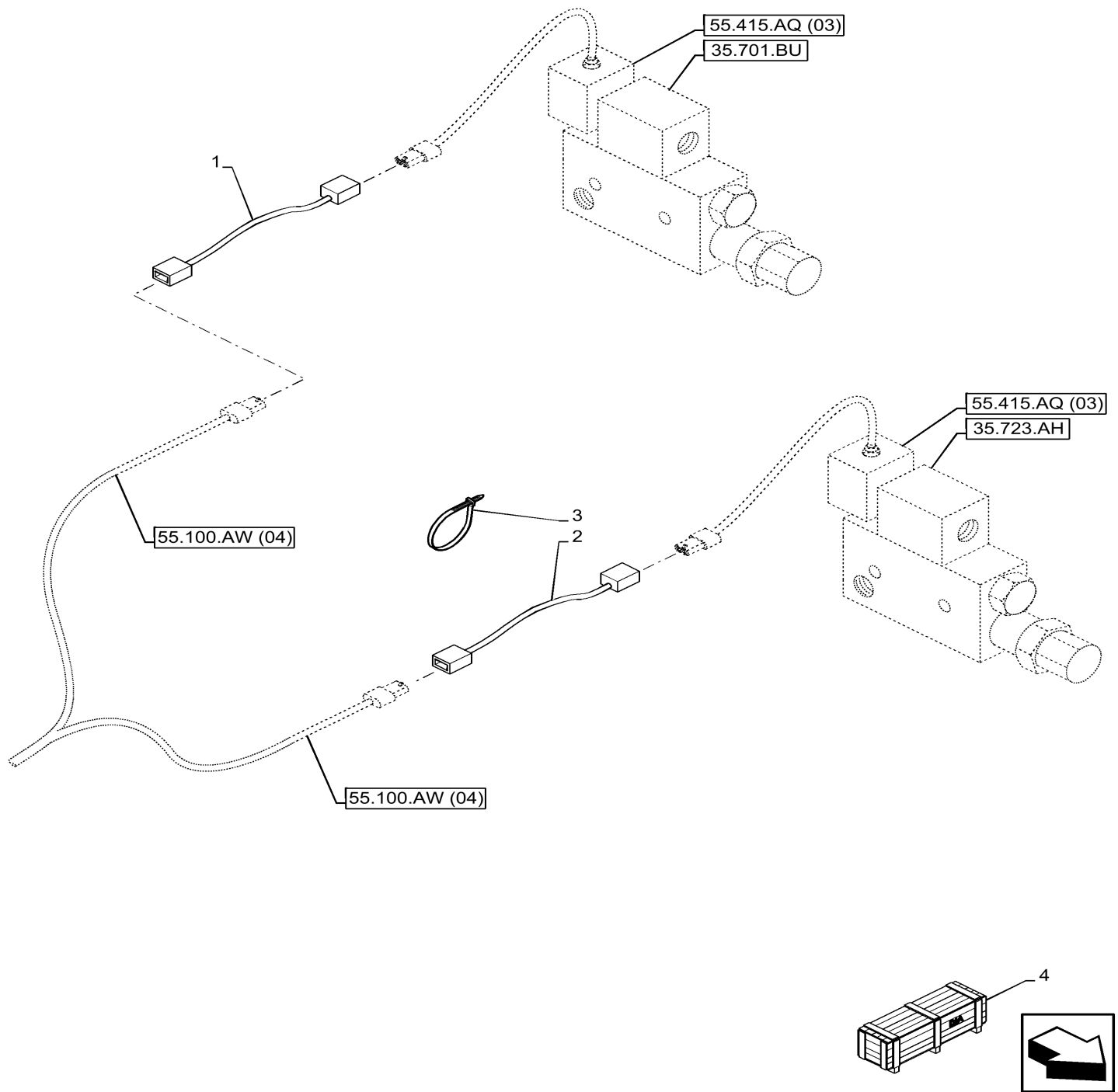


Figure is Valid with Industrial Var. 742010

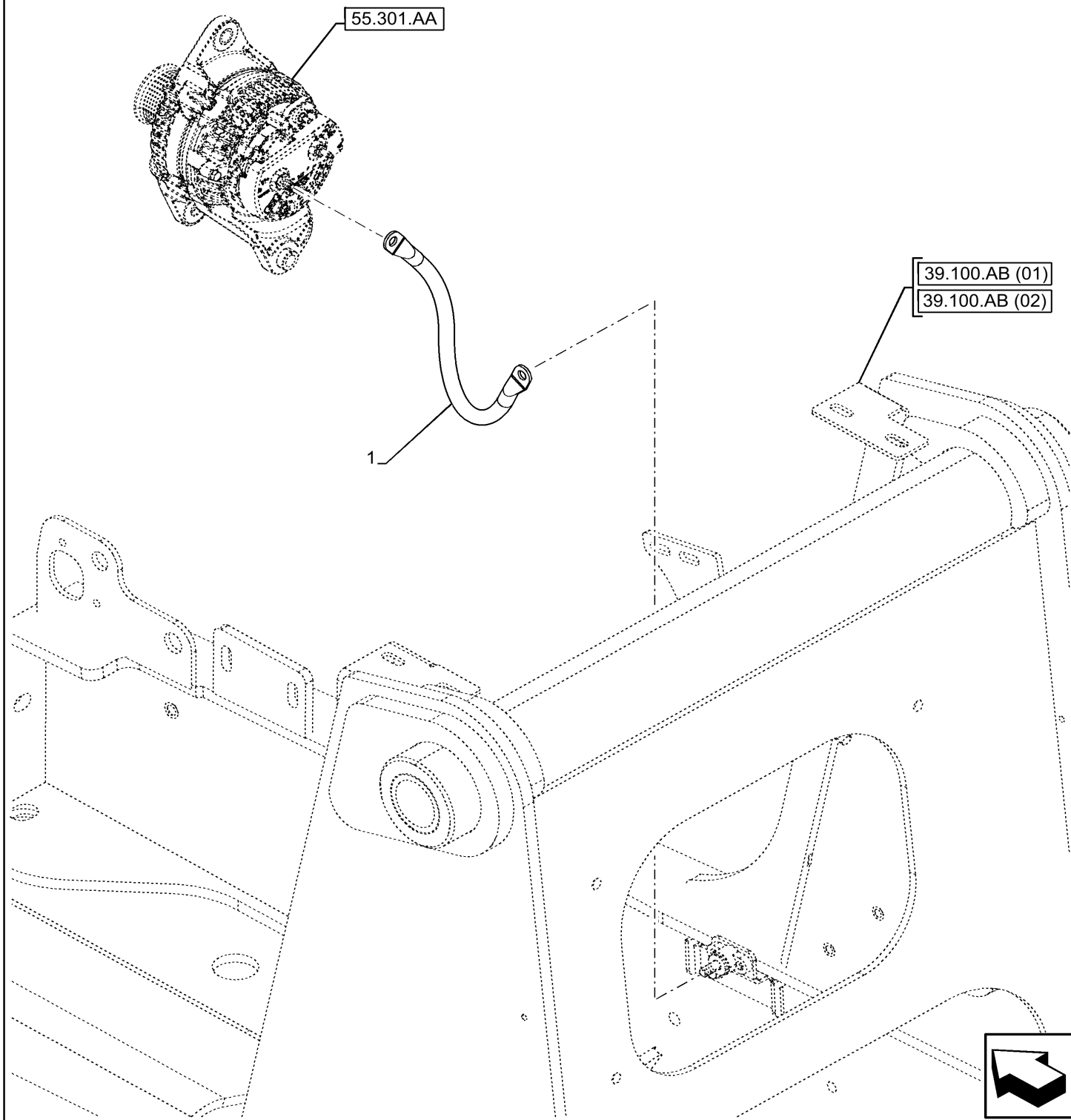
55.201.AU

02

p1

11/202
0

STARTER & ALTERNATOR, CABLE



55.302.AW

01

p1

11/202
0

VAR - 861131 - BATTERY, SINGLE, GROUND CABLE

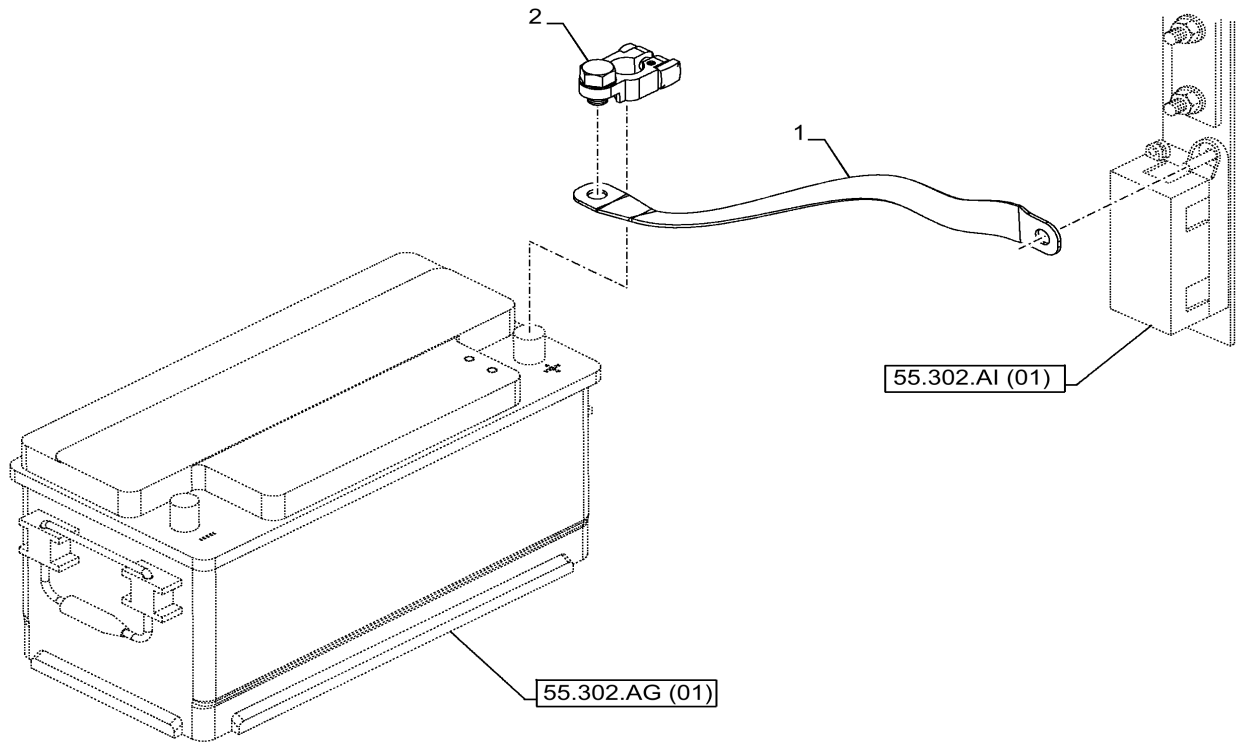


Figure is Valid with Industrial Var. 861131

55.404.BS

03

p1

11/2020

VAR - 742793 - ROPS, WORKING LIGHT, FRONT

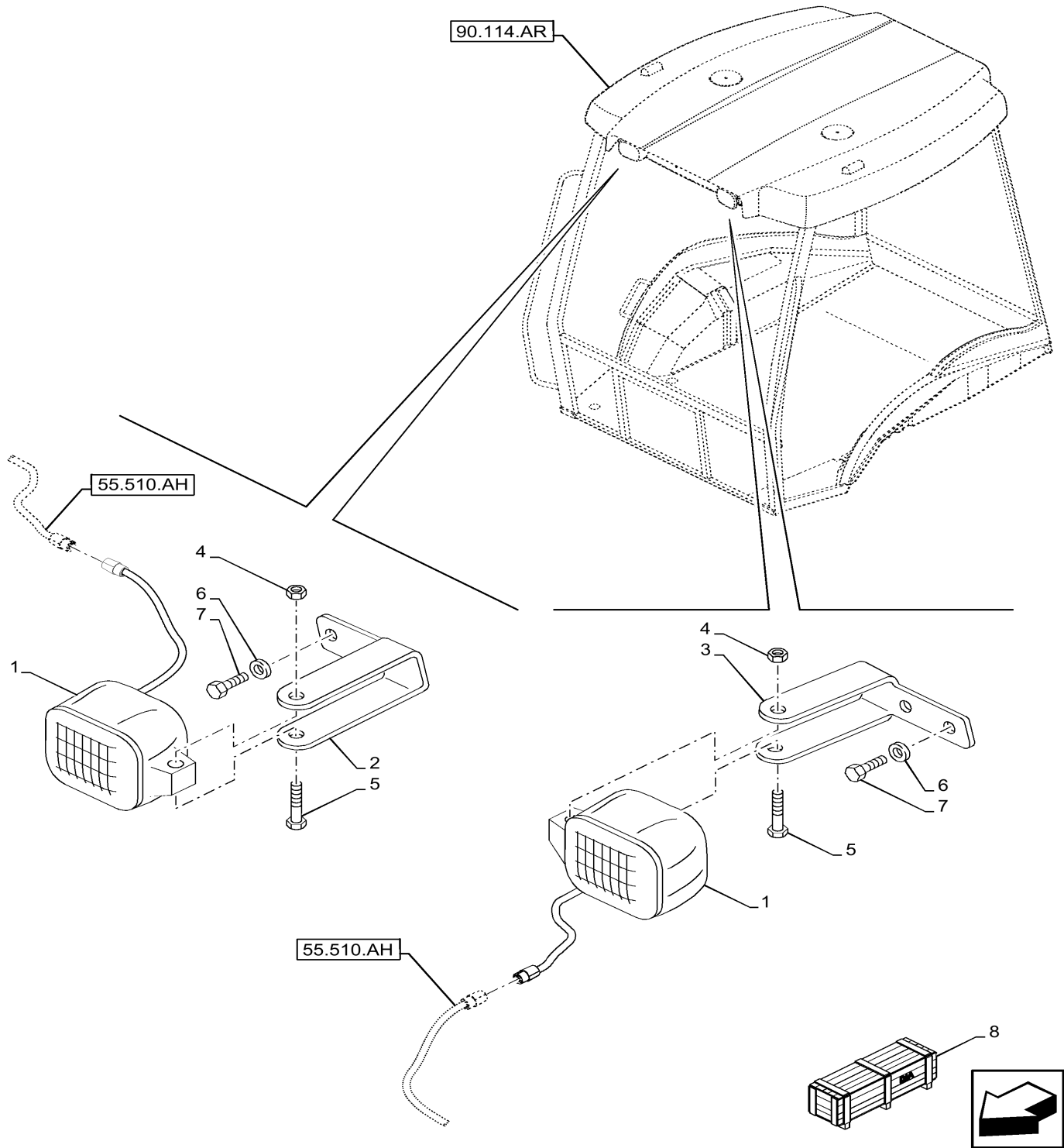


Figure is Valid with Industrial Var. 742793

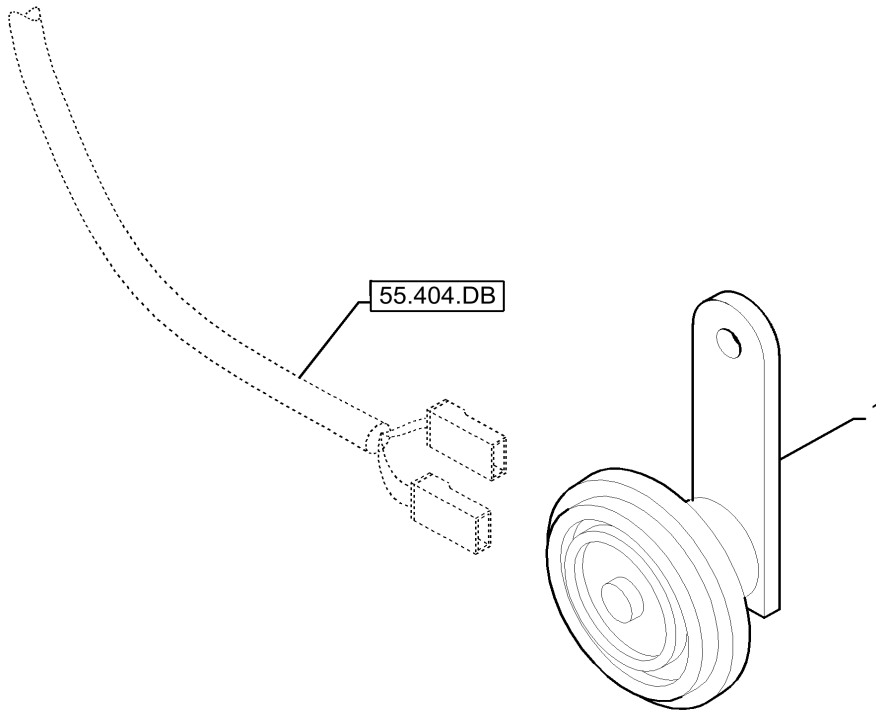
55.408.AG

01

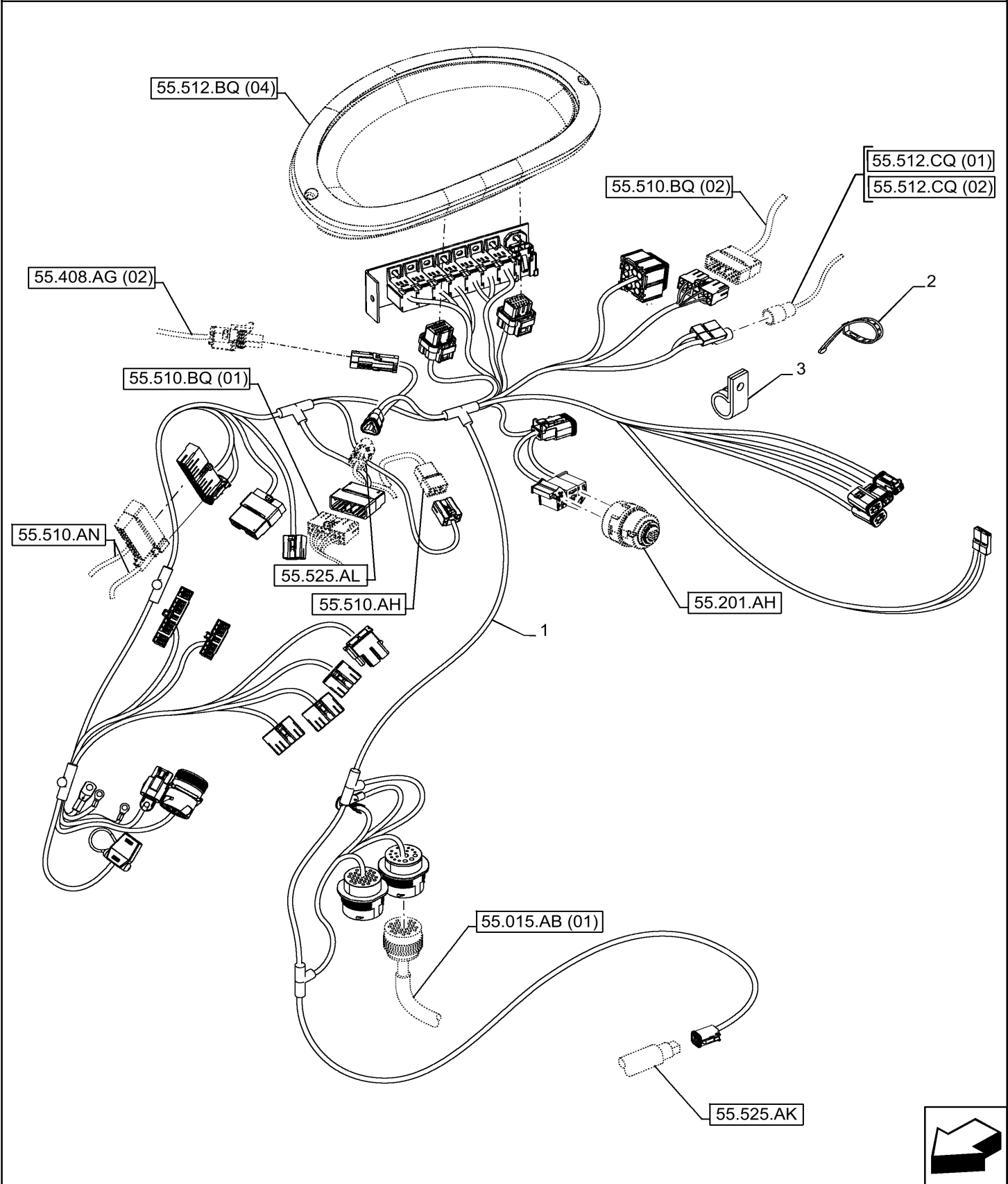
p1

11/202
0

HORN



CAB, CAB MAIN WIRE HARNESS, POWERSHIFT



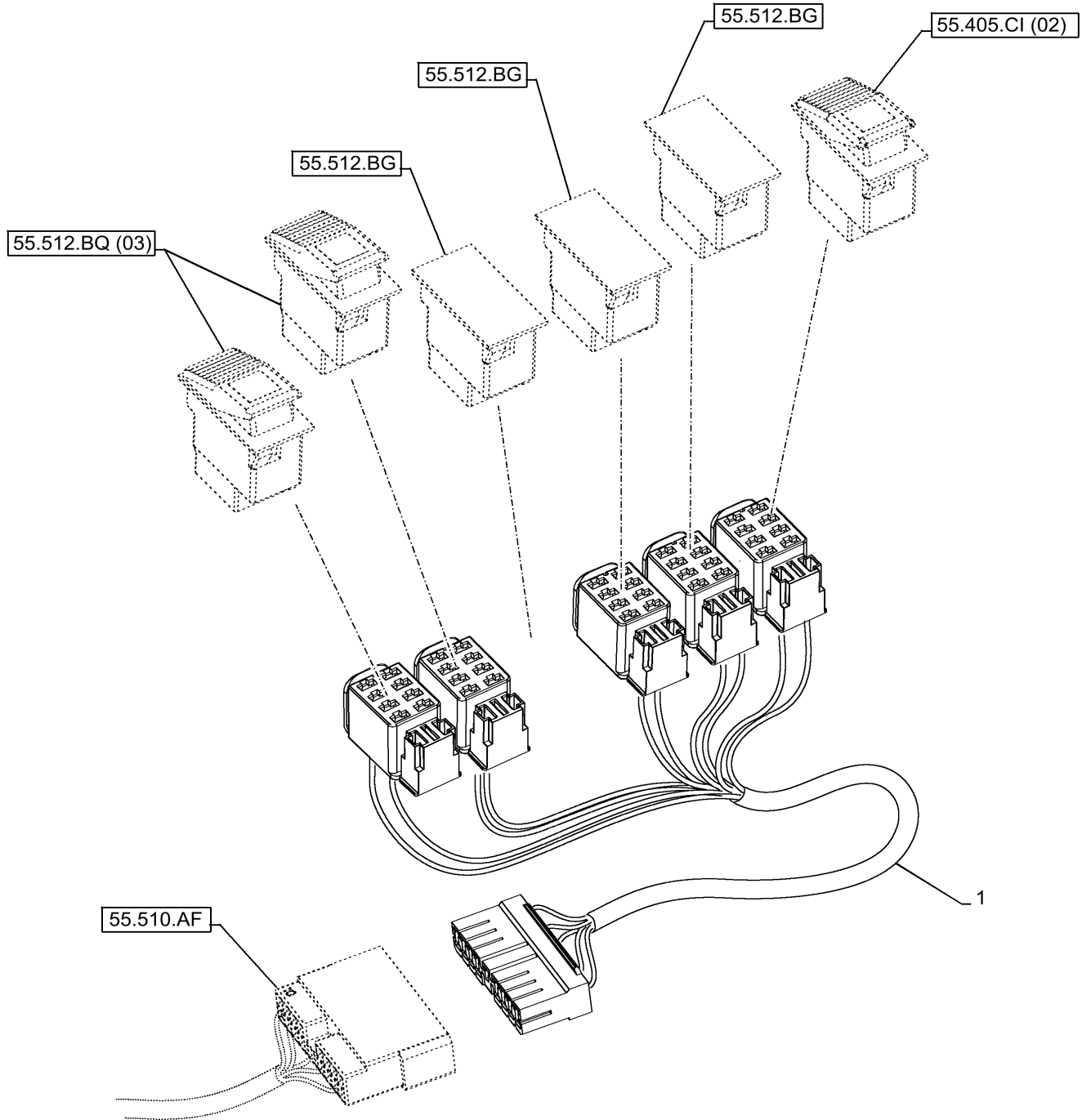
55.510.BQ

02

p1

11/202
0

ROPS, WIRE HARNESS, INSTRUMENT PANEL, RIGHT, REAR



55.512.BQ

02

p1

11/2020

VAR - 423095, 742011 - INSTRUMENT CLUSTER, SPEEDOMETER, FRONT, POWERSHUTTLE, 4WD

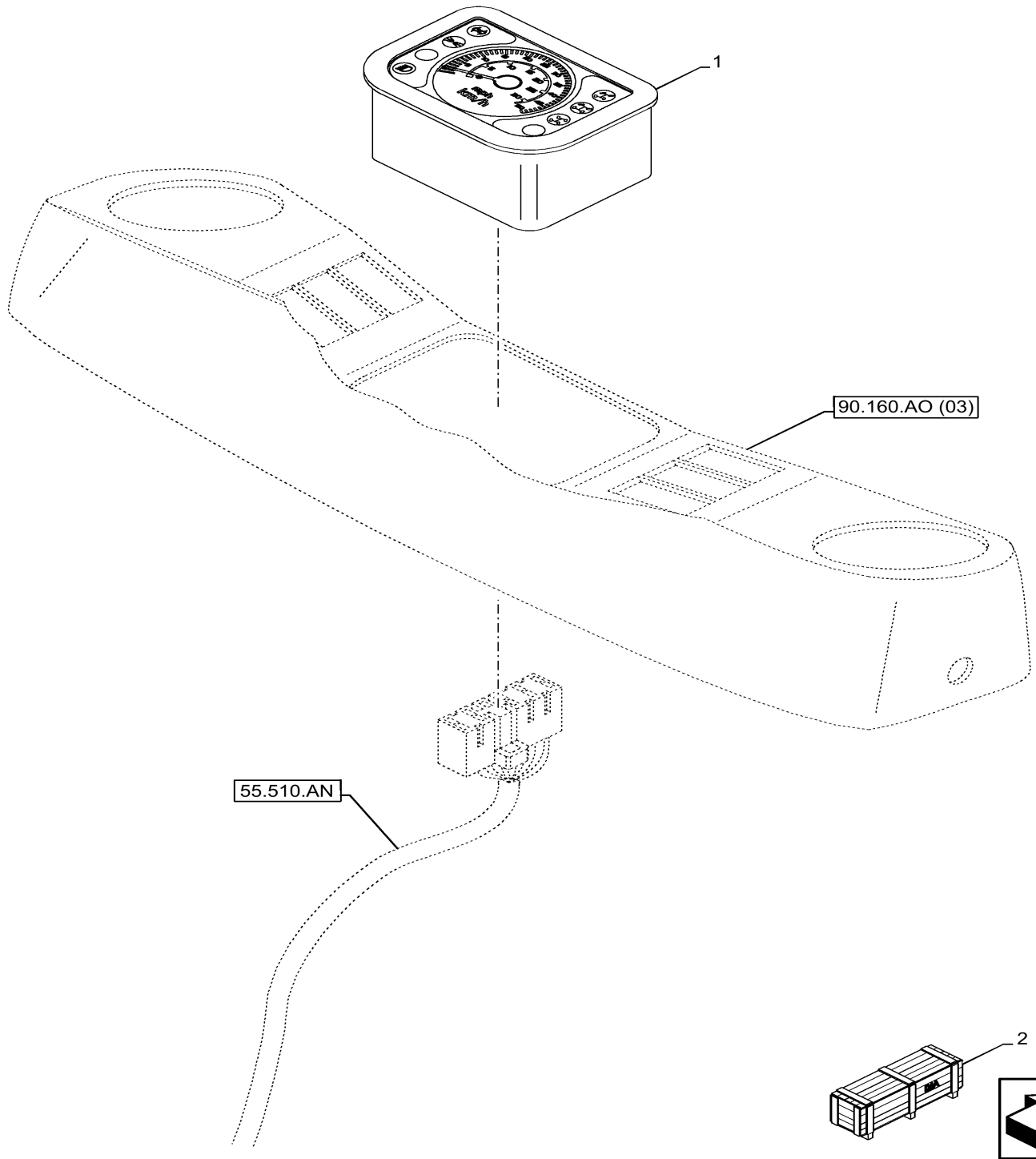


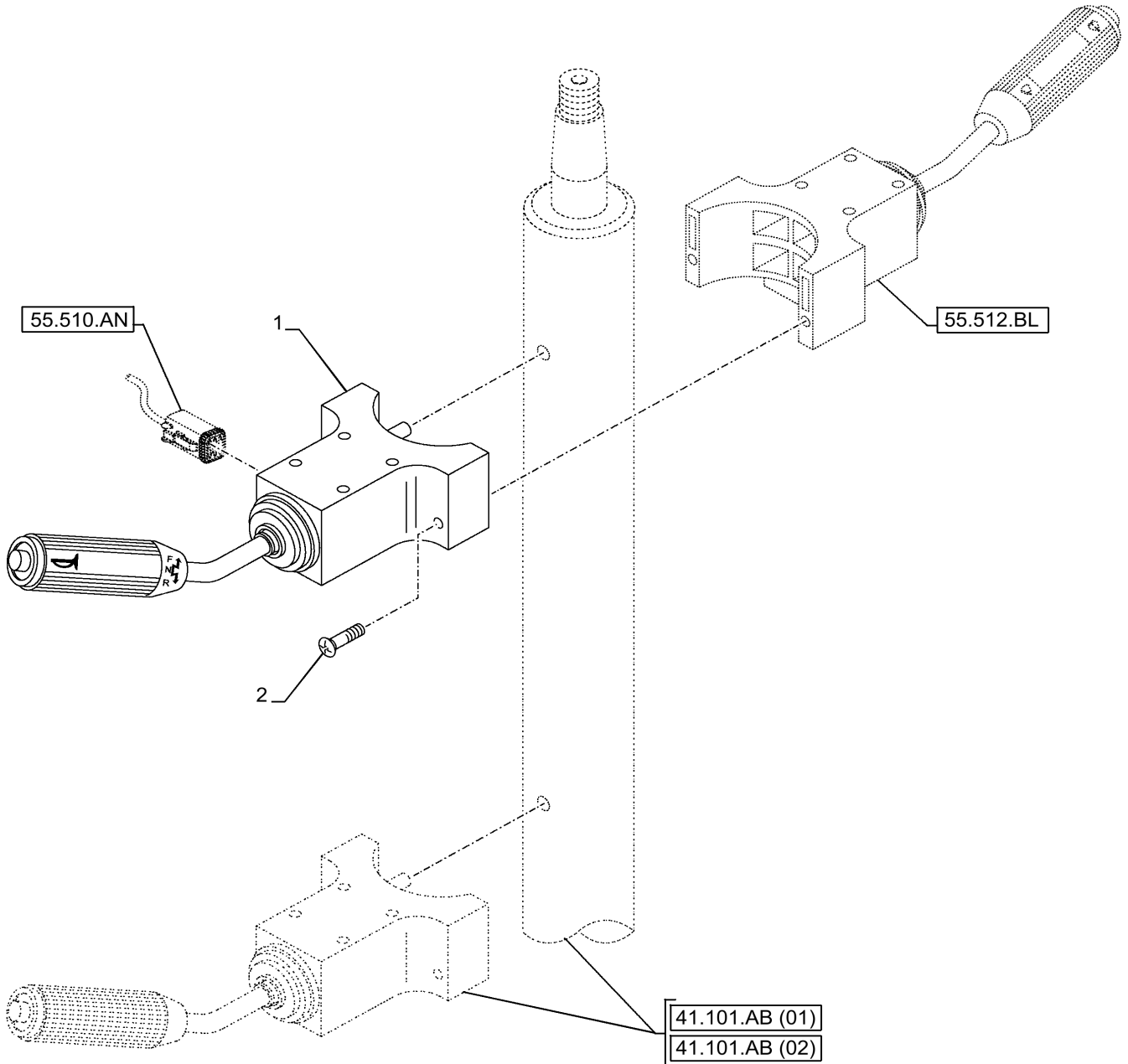
Figure is Valid with Industrial Var. 423095, 742011

55.513.AC

p1

11/202
0

CAB, TRANSMISSION, CONTROL, SWITCH, POWERSHUTTLE

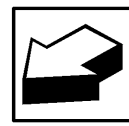
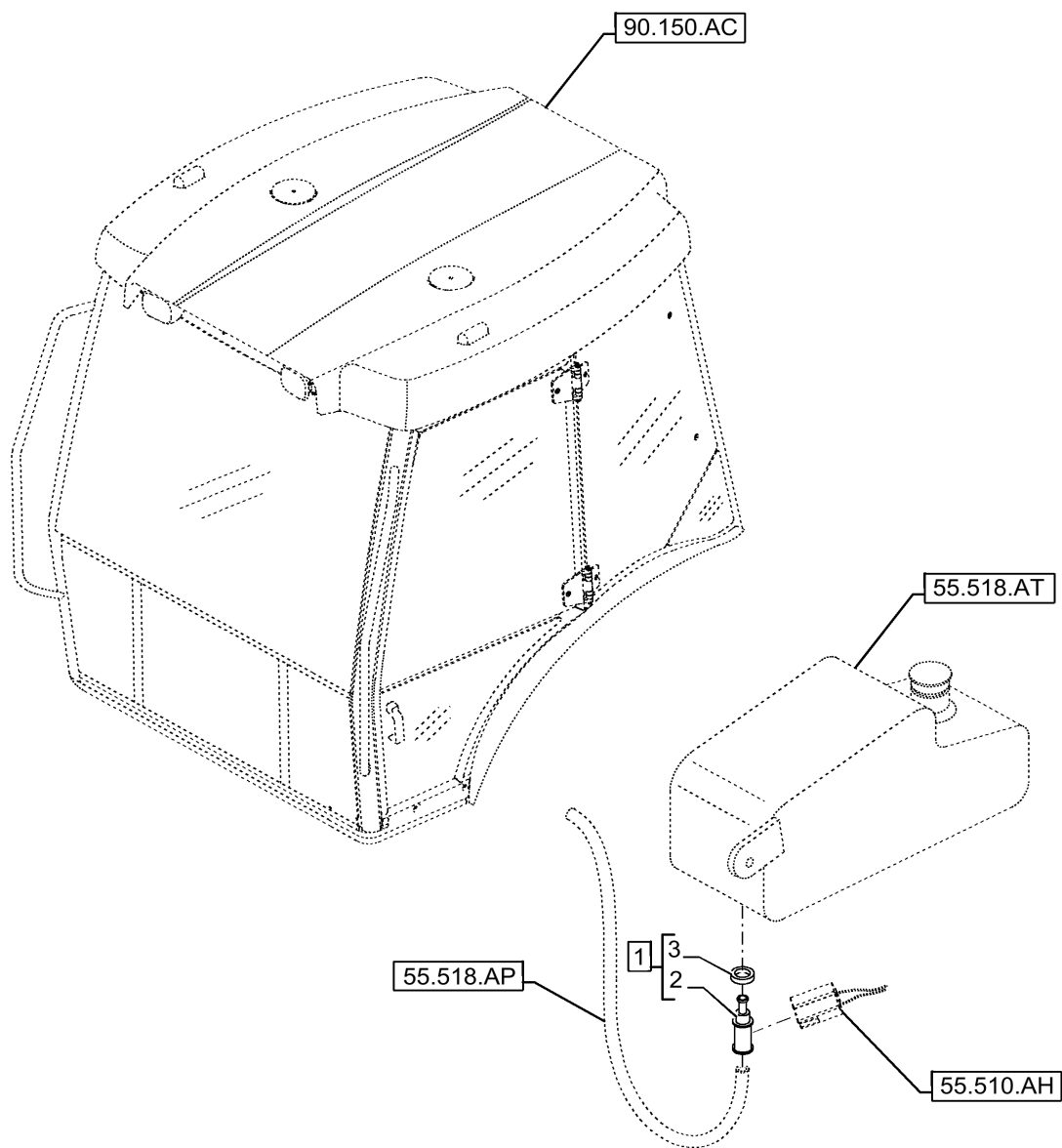


55.518.AS

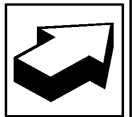
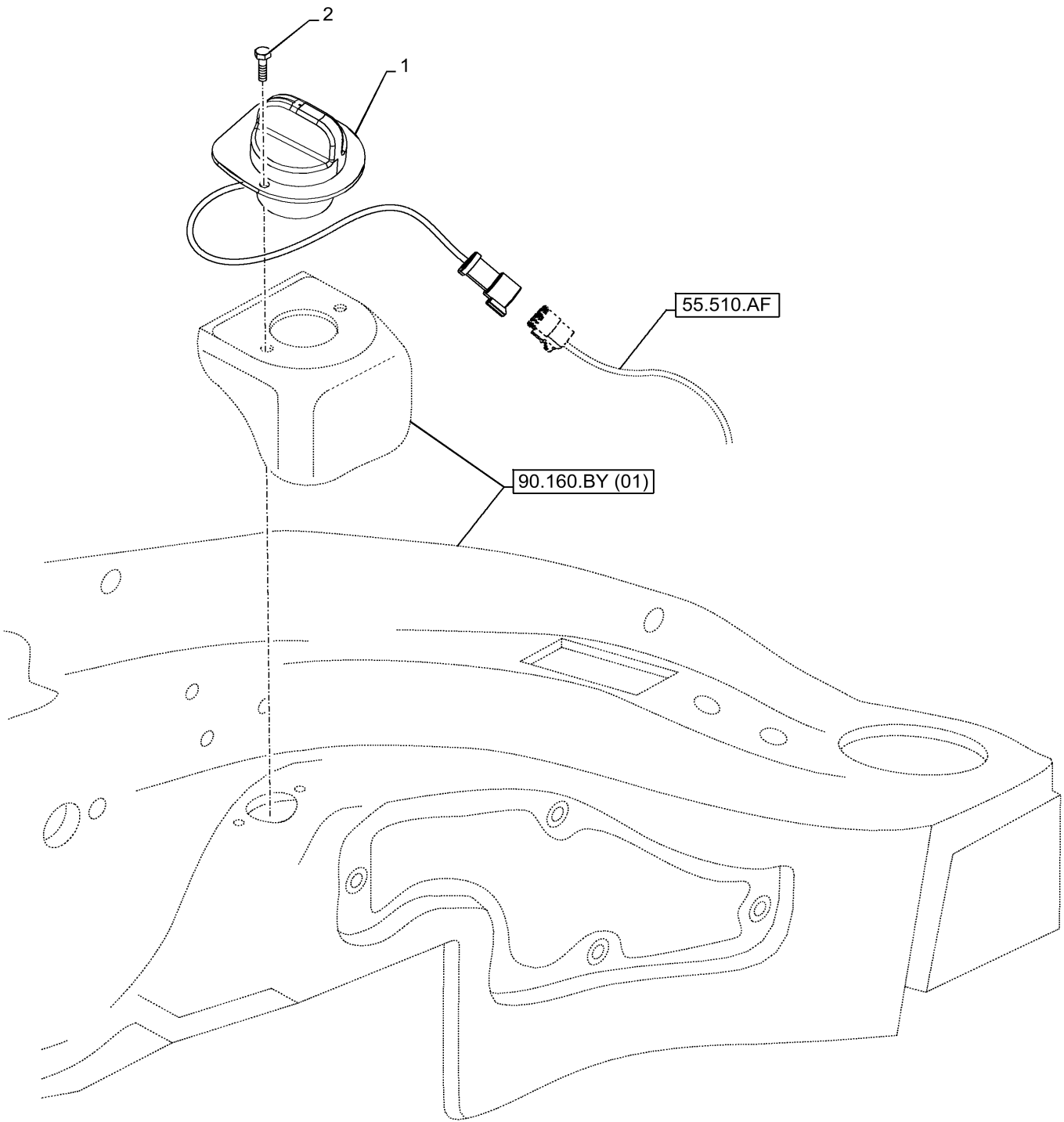
p1

11/2020

WINDSHIELD WASHER , PUMP



ACCELERATOR HAND CONTROL LINKAGE



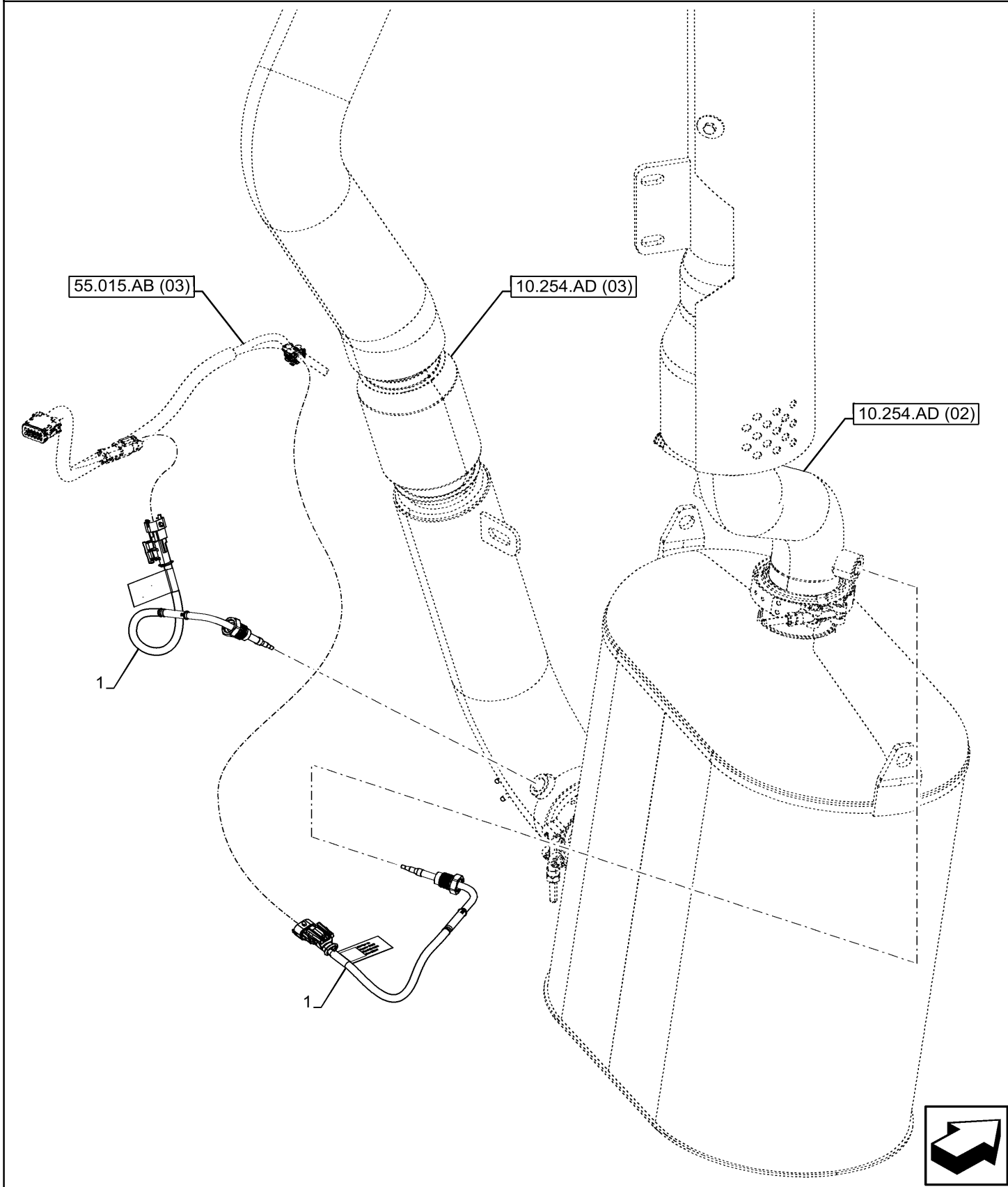
55.988.AB

02

p1

11/202
0

EXHAUST SYSTEM, TEMPERATURE SWITCH

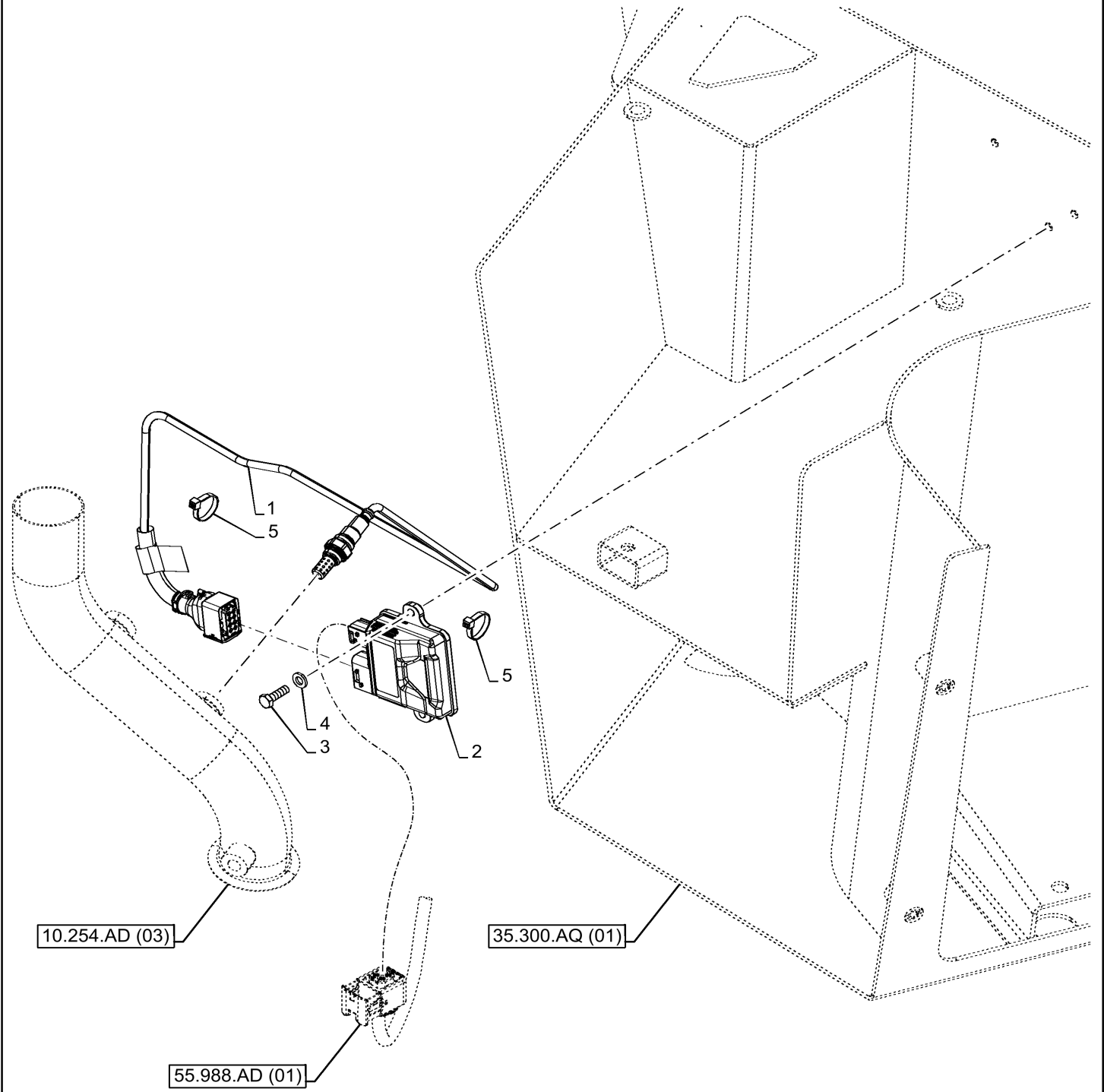


55.988.AR

p1

11/202
0

EXHAUST SYSTEM, NH3 SENSOR



82.300.AN

06

p1

11/202
0

VAR - 728527 - 0.88 CU. M, LOADER BUCKET, W/ CUTTING EDGE

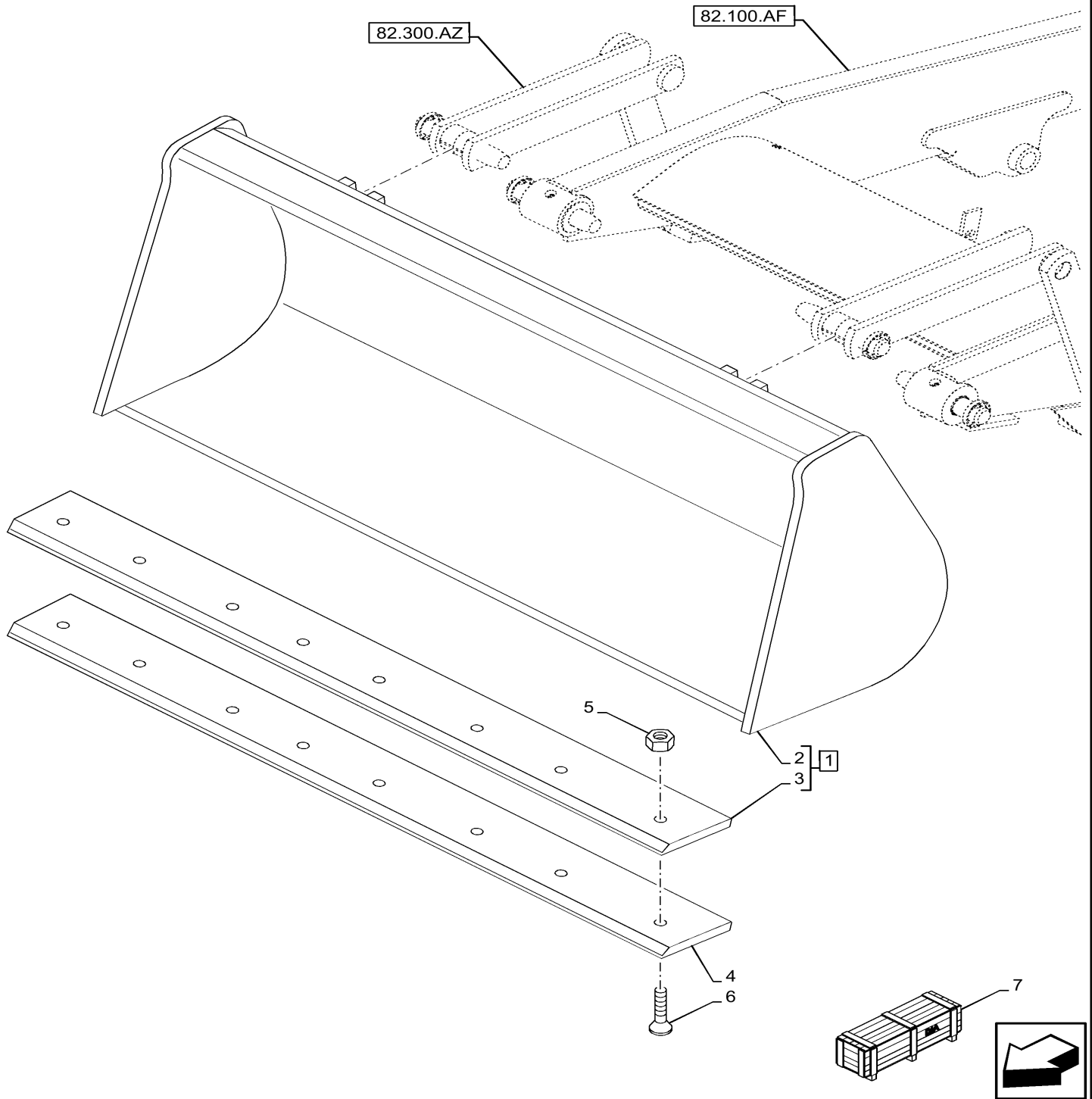


Figure is Valid with Industrial Var. 728527

84.100.AB

03

p1

11/2020

VAR - 728516 - BACKHOE BUCKET (W=457MM HI)

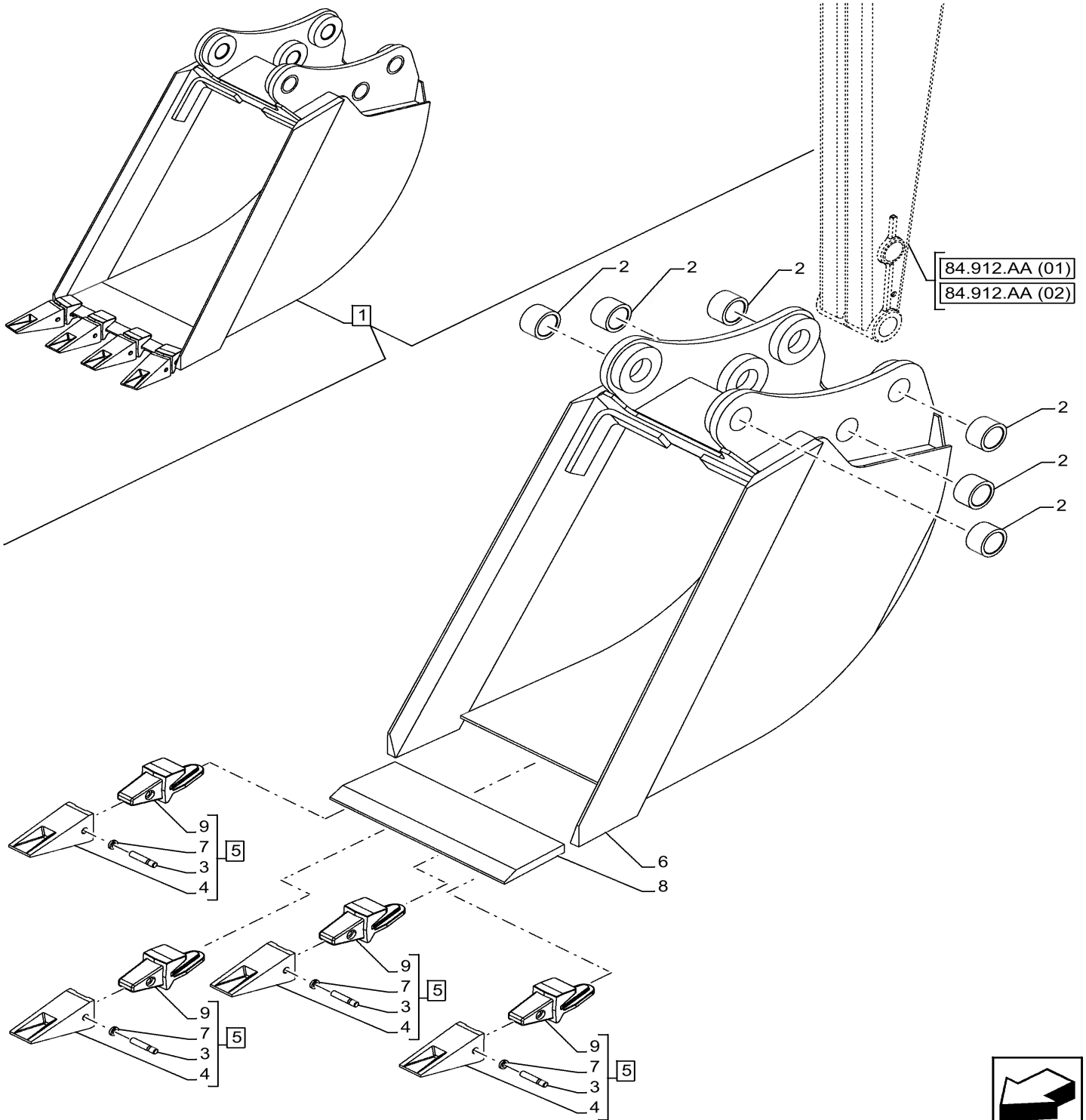


Figure is Valid with Industrial Var. 728516

84.100.AQ

01

p1

11/202
0

VAR - 742900 - BUCKET, LINKAGE - STD DIPPERSTICK (4.72 M)

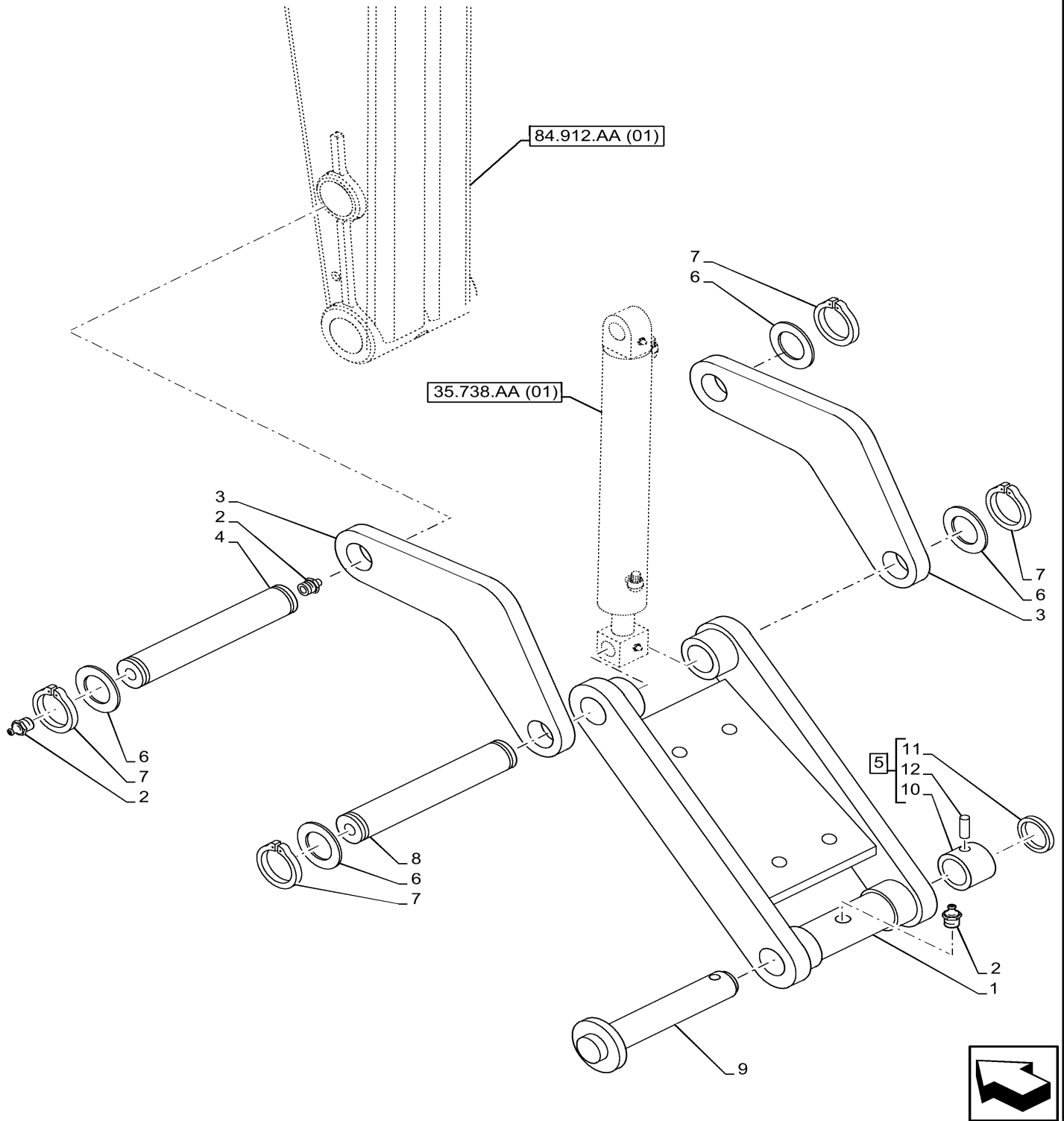


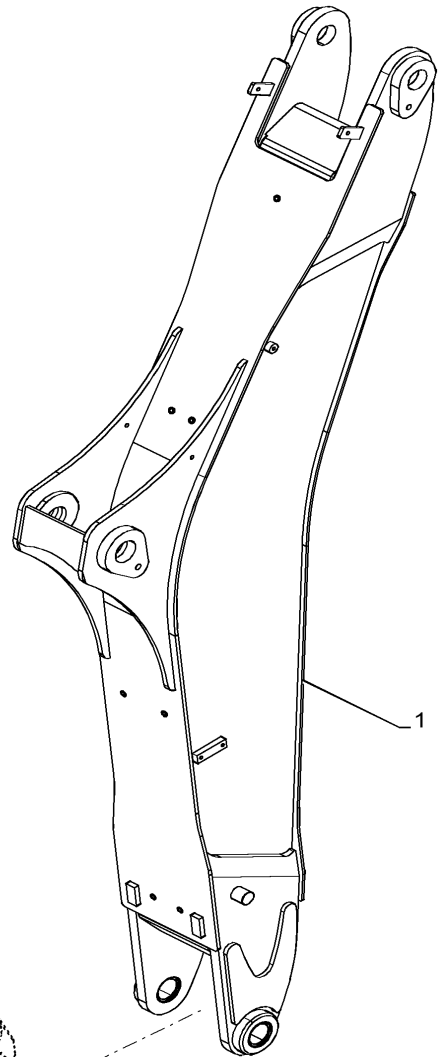
Figure is Valid with Industrial Var. 742900

84.910.AA

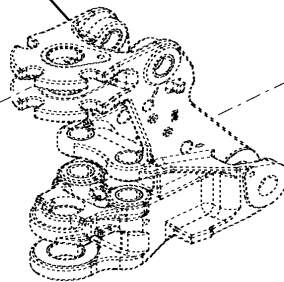
p1

11/2020

VAR - 728514, 728902, 742900, 742901 - BOOM



84.114.AF



39.100.AB (01)

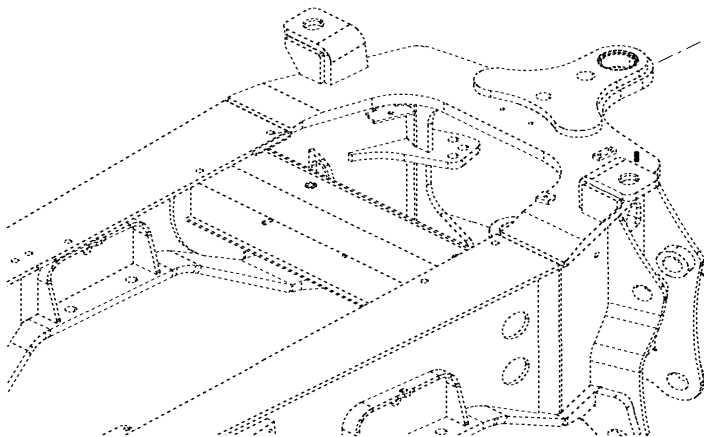


Figure is Valid with Industrial Var. 728514, 728902, 742900, 742901

84.912.AD

01

p1

11/202
0

VAR - 742900 - DIPPER, BUSHING - STD DIPPERSTICK (4.72 M)

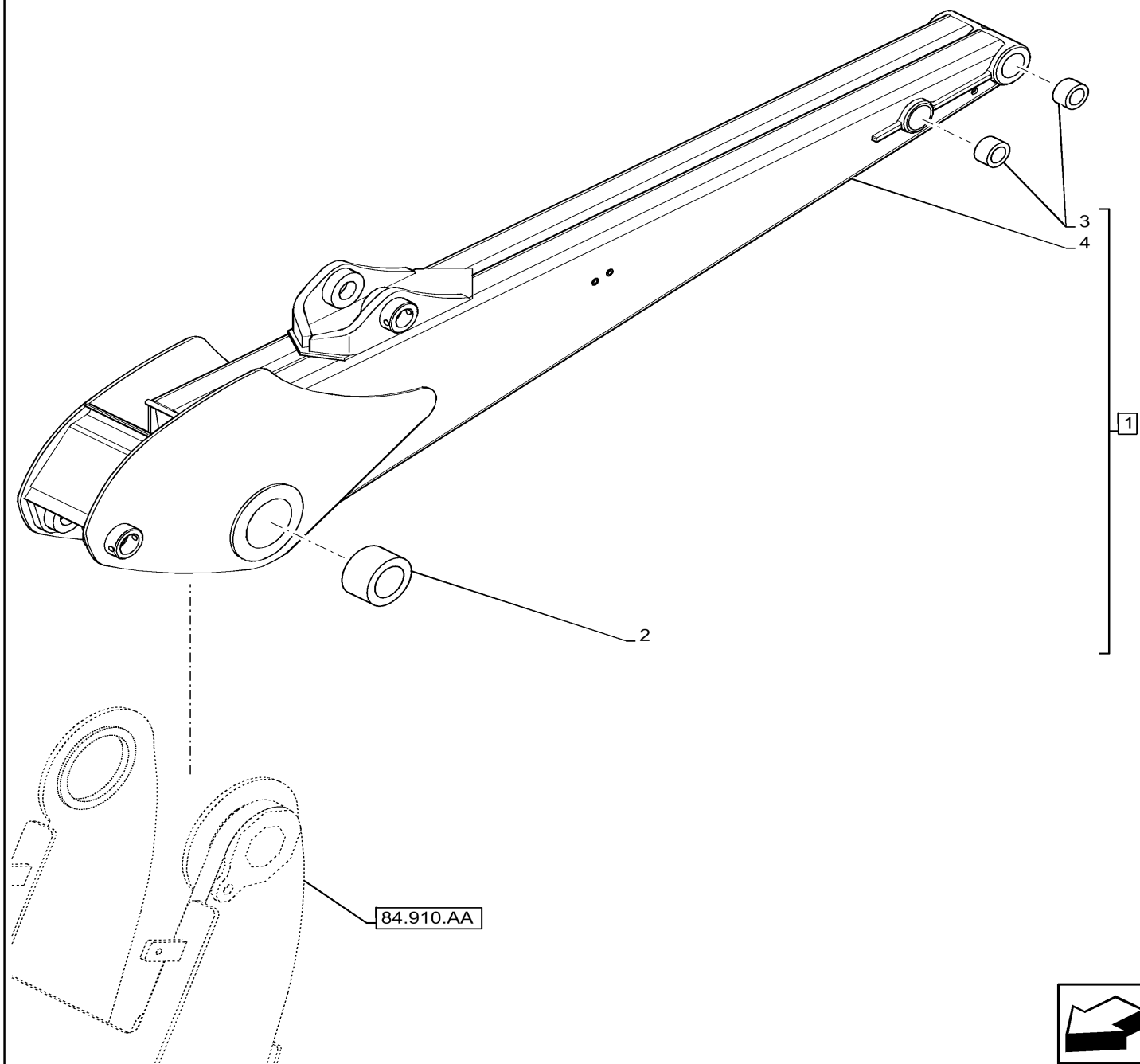


Figure is Valid with Industrial Var. 742900



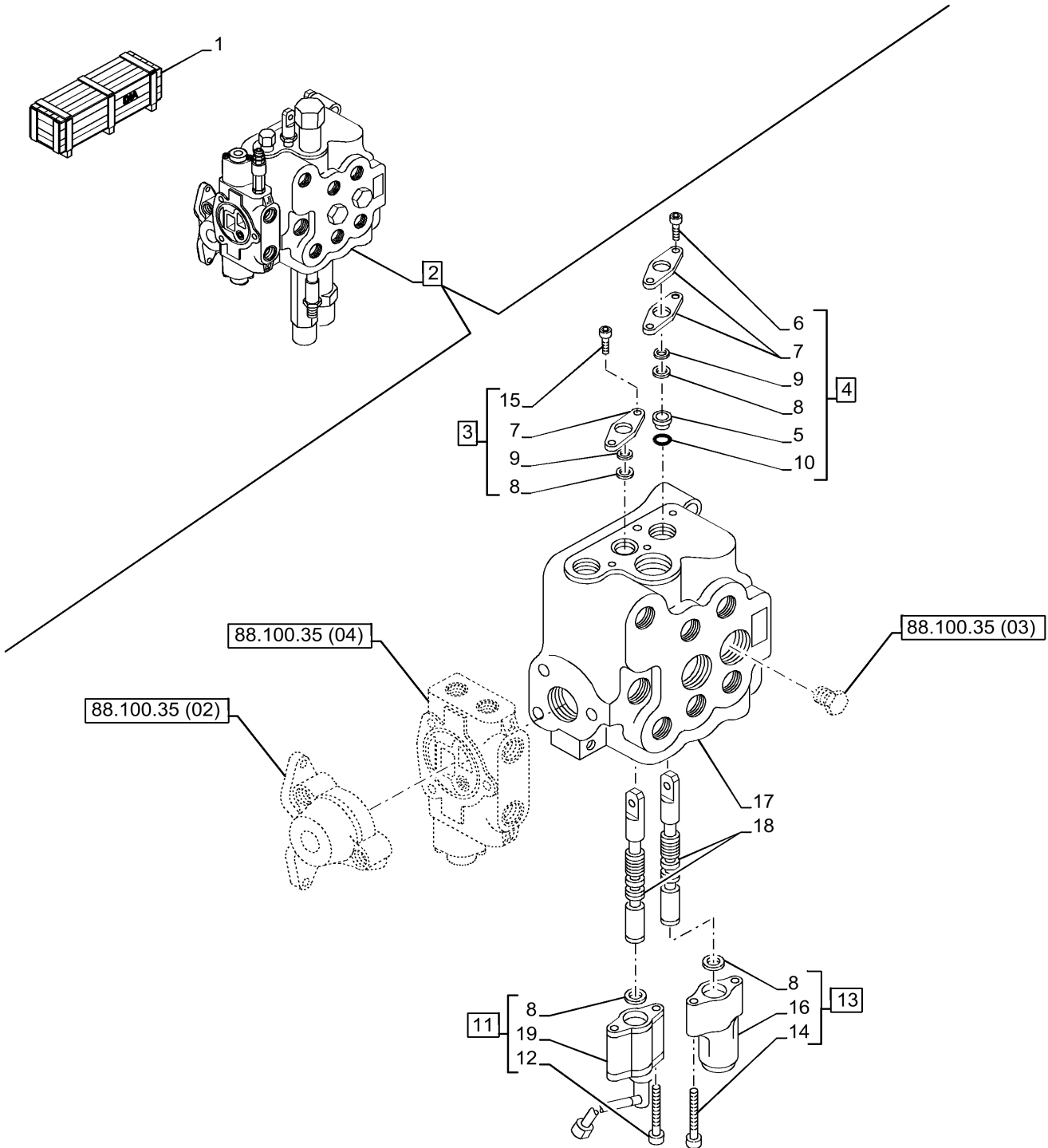
88.100.35

01

p1

11/202
0

DIA KIT, LOADER CONTROL VALVE, 3 SECTIONS



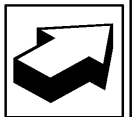
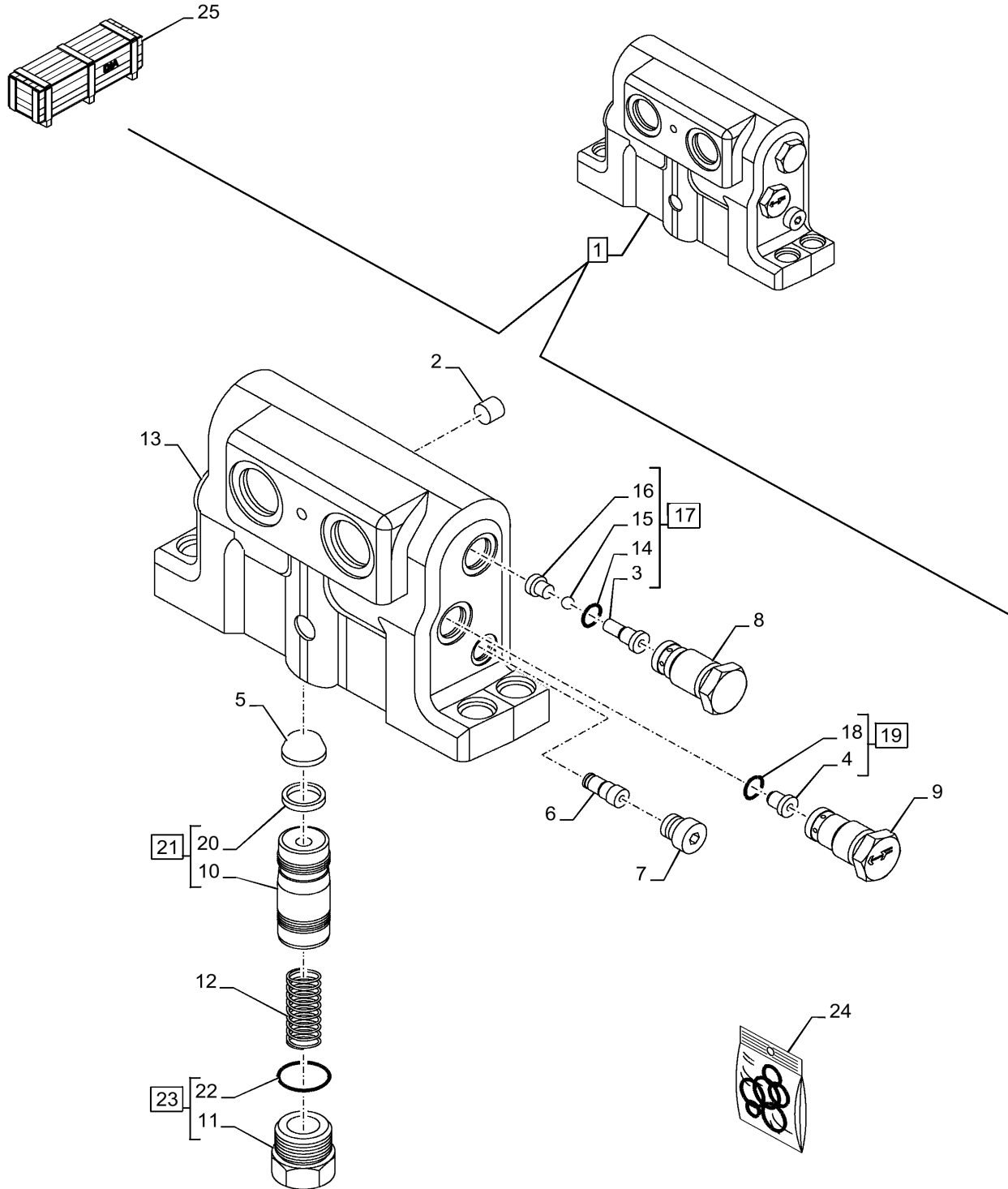
88.100.35

11

p1

11/202
0

DIA KIT, DAMPENING VALVE, COMPONENTS



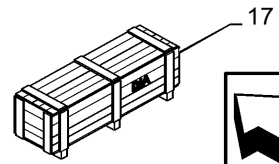
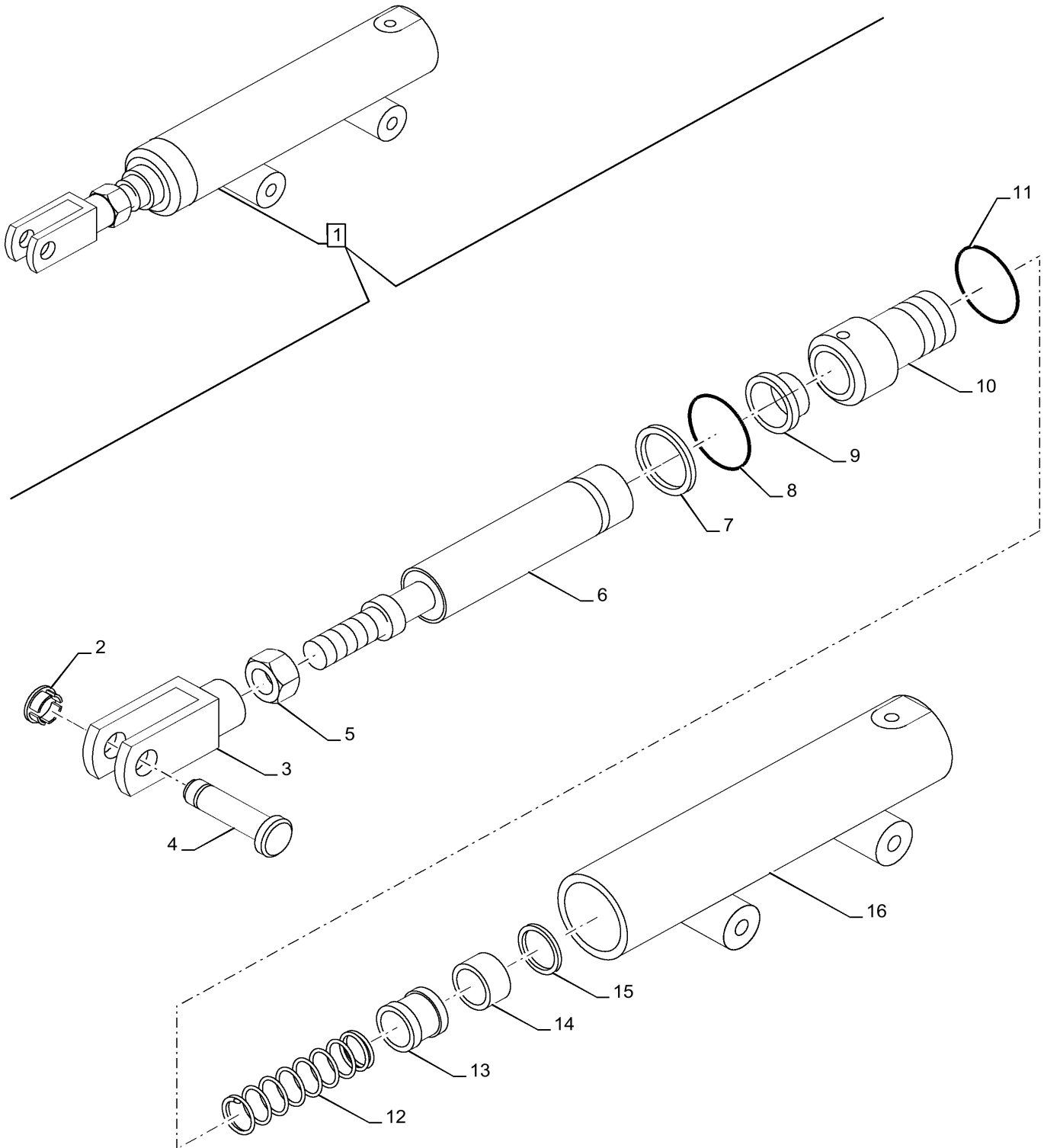
88.100.35

20

p1

11/2020

DIA KIT, TRANSPORT LOCK, HYDRAULIC SYSTEM



88.100.55

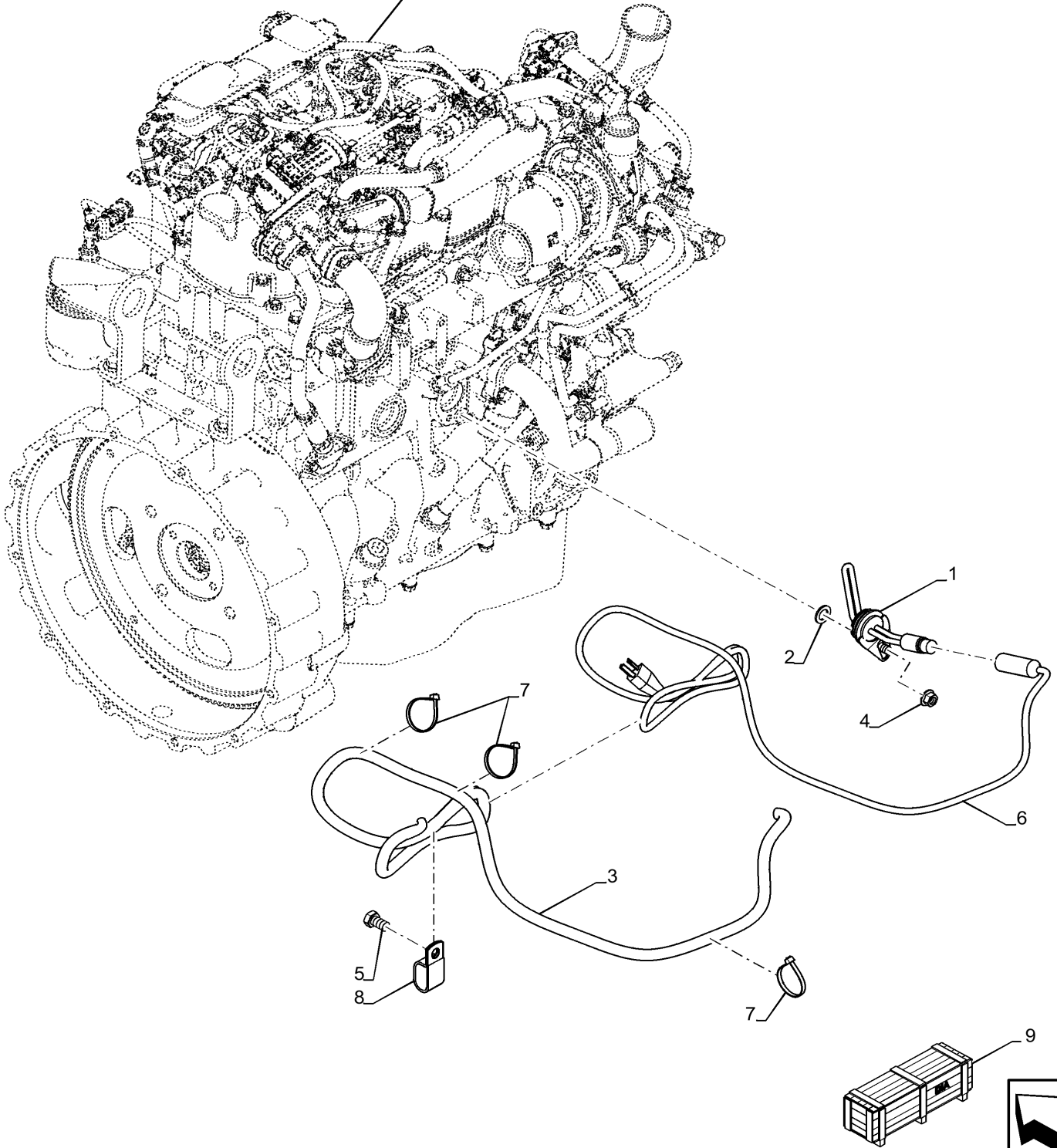
01

p1

11/202
0

DIA KIT, BLOCK HEATER

10.001.AD



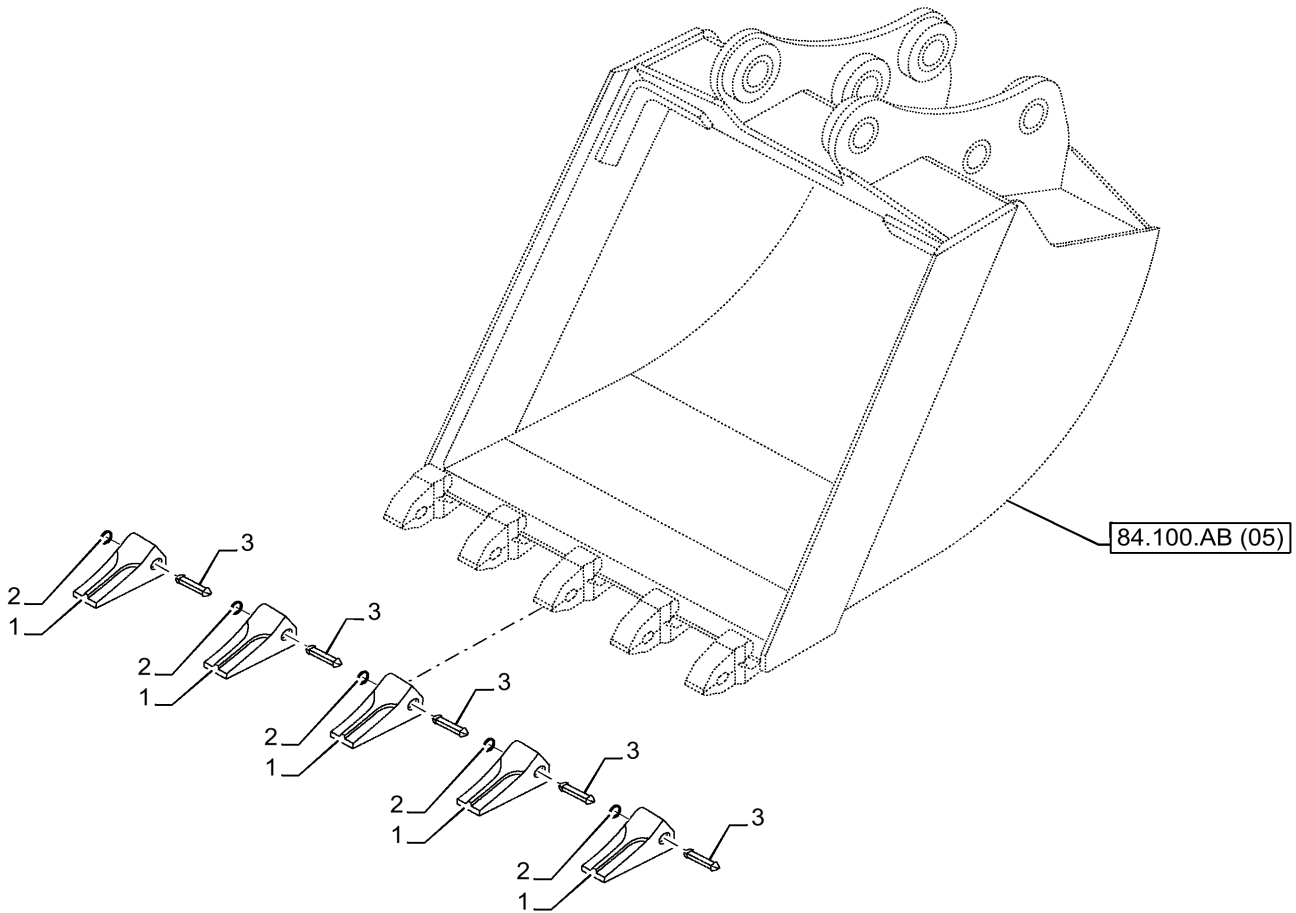
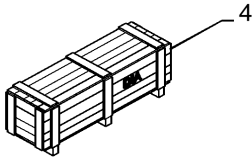
88.100.84

03

p1

11/202
0

DIA KIT, BACKHOE BUCKET, TEETH (762MM)



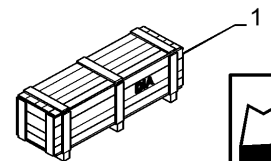
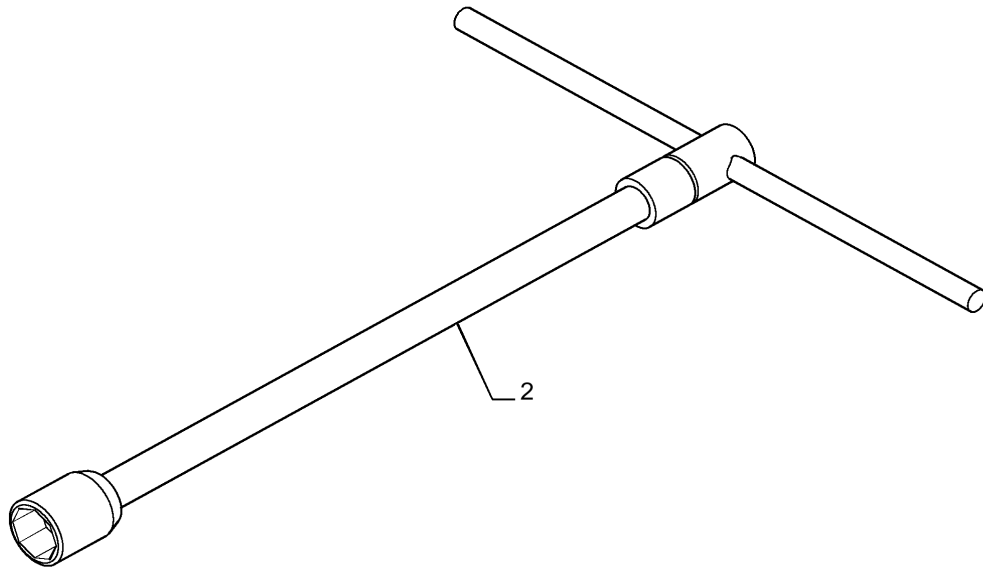
88.100.88

02

p1

11/202
0

DIA KIT, WHEEL NUT, WRENCH



90.000.00

01

p1

11/2020

SECTION INDEX - PLATFORM, CAB, BODYWORK & DECALS

90.108.AB (01)

NEW HOLLAND

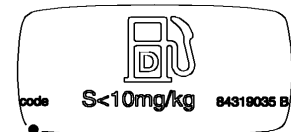
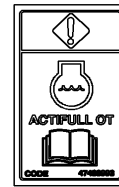
90.108.AB (01)



90.108.AB (01)

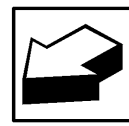
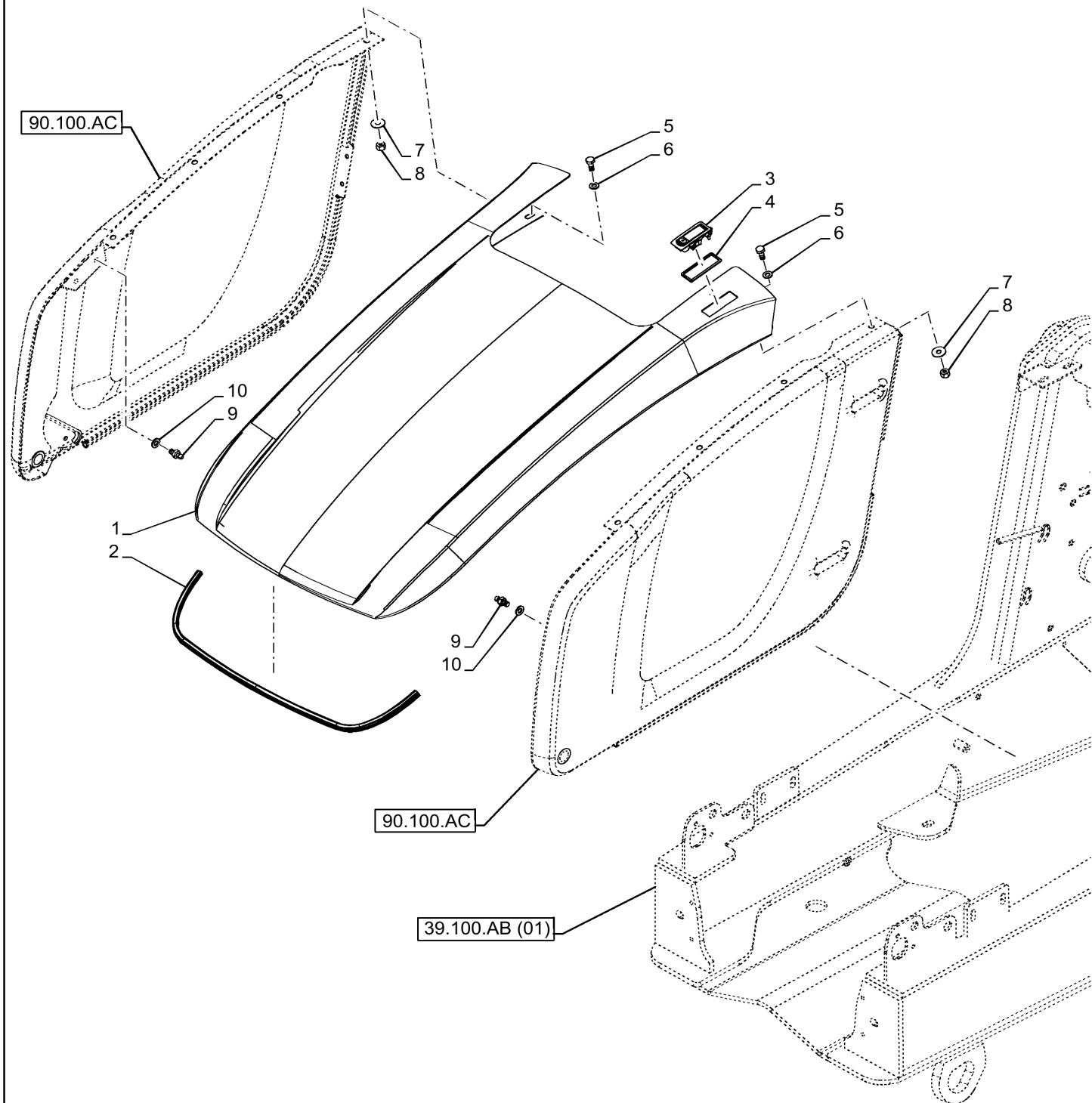
NEW HOLLAND

90.108.AD



90.108.AC (01)

HOOD



90.108.AA

06

p1

11/2020

VAR - 720721, 728727 - WARNING DECAL, MECHANICAL, CONTROL

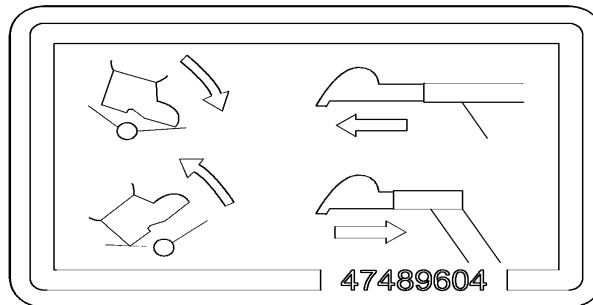
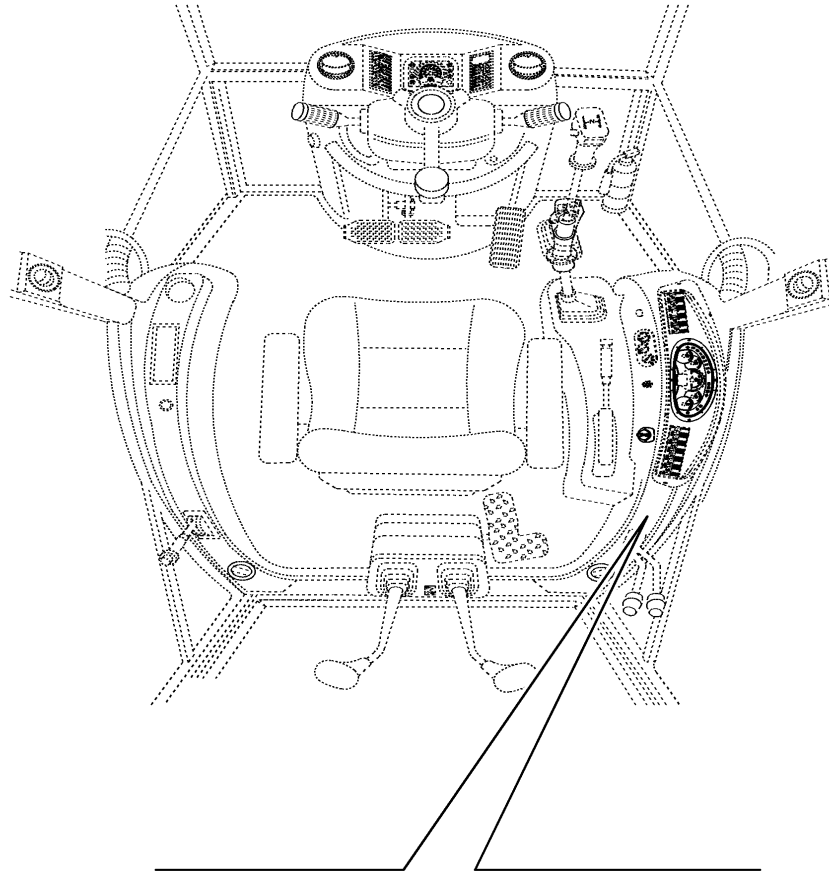


Figure is Valid with Industrial Var. 720721, 728727

90.108.AA

16

p1

11/202
0

VAR - 742013 - CAB, DECAL, CONTROL PANEL, HEATER - END S/N NGHH01249

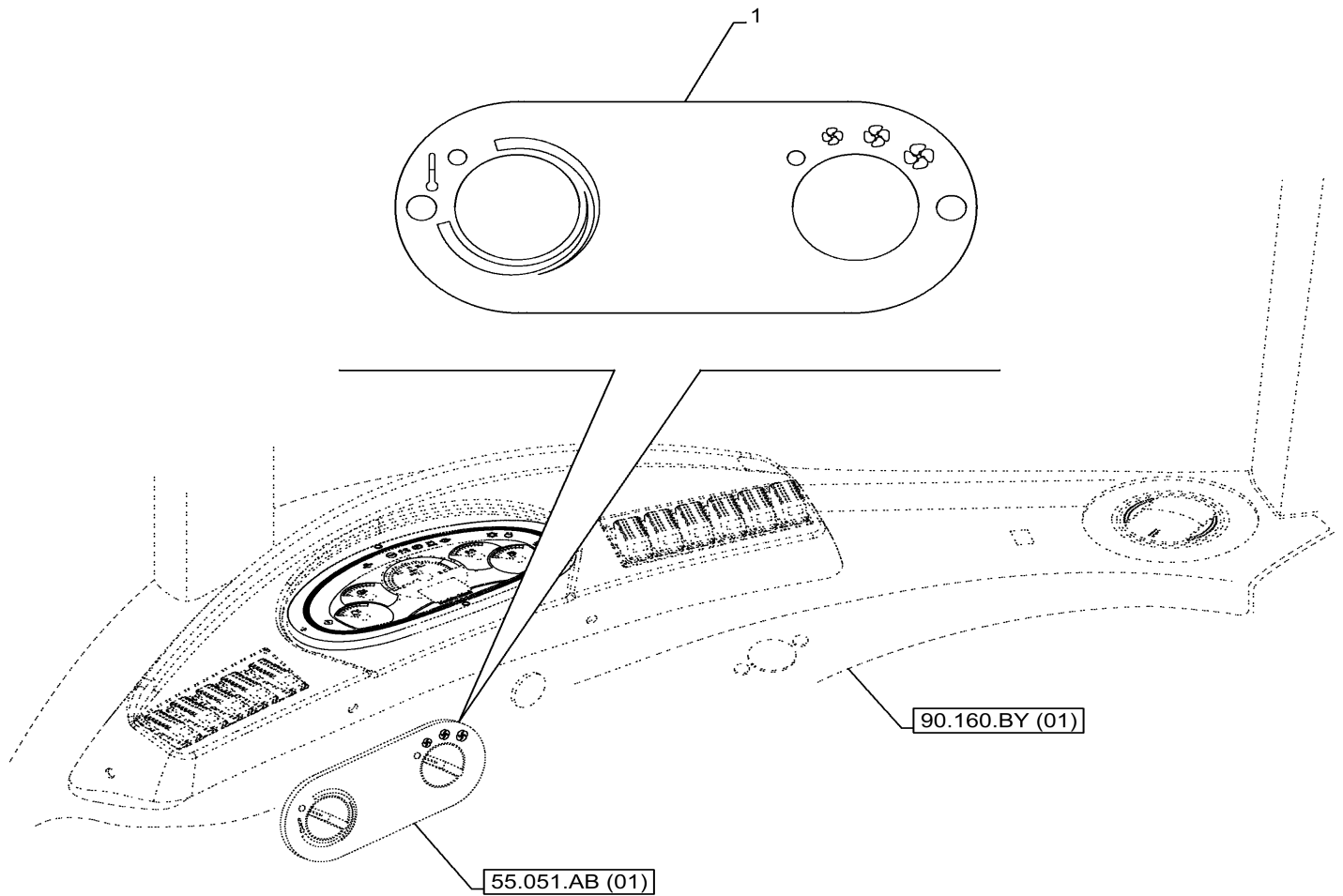


Figure is Valid with Industrial Var. 742013; C7428 Serial N. NGHH01249

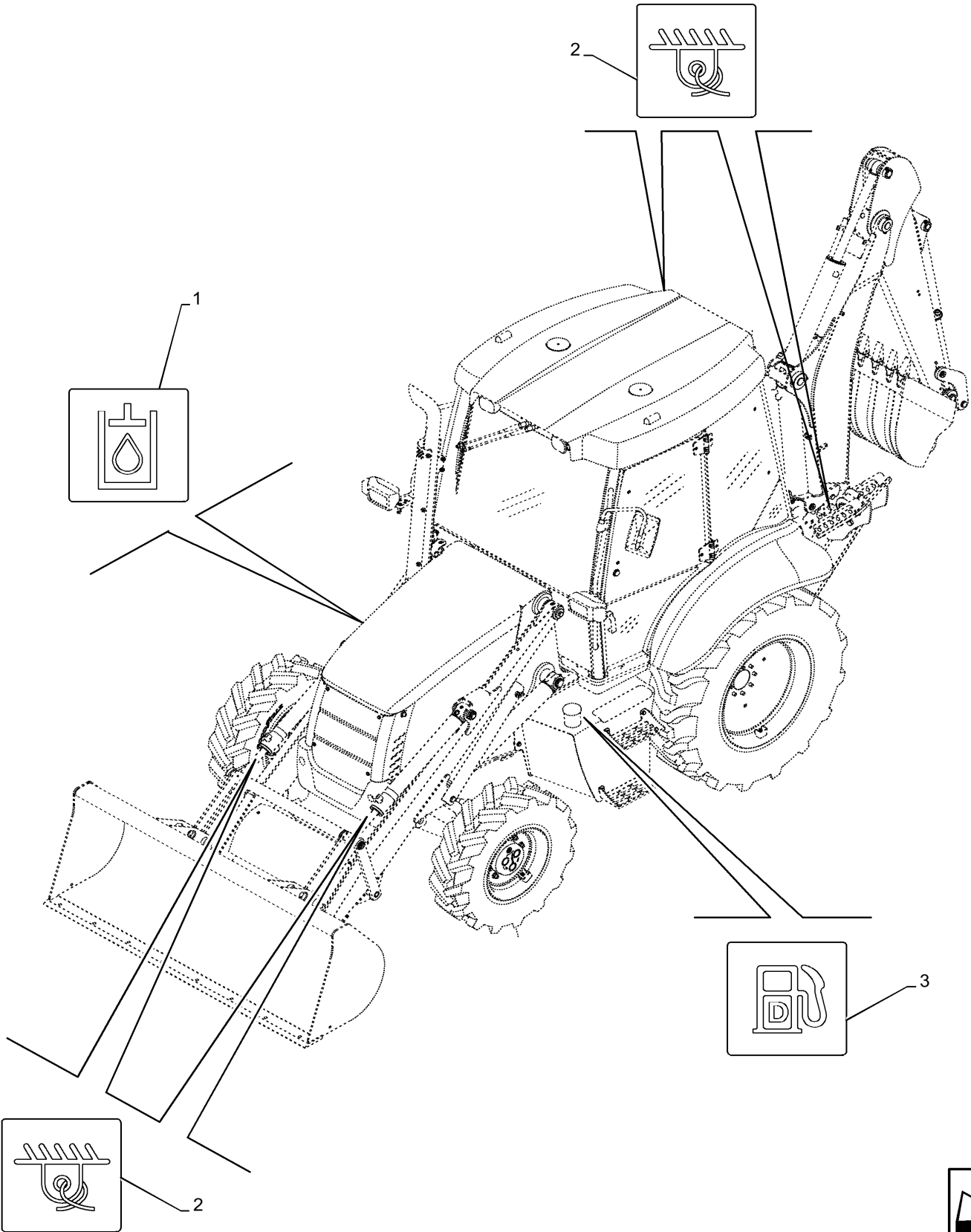
90.108.AC

03

p1

11/2020

WARNING DECAL

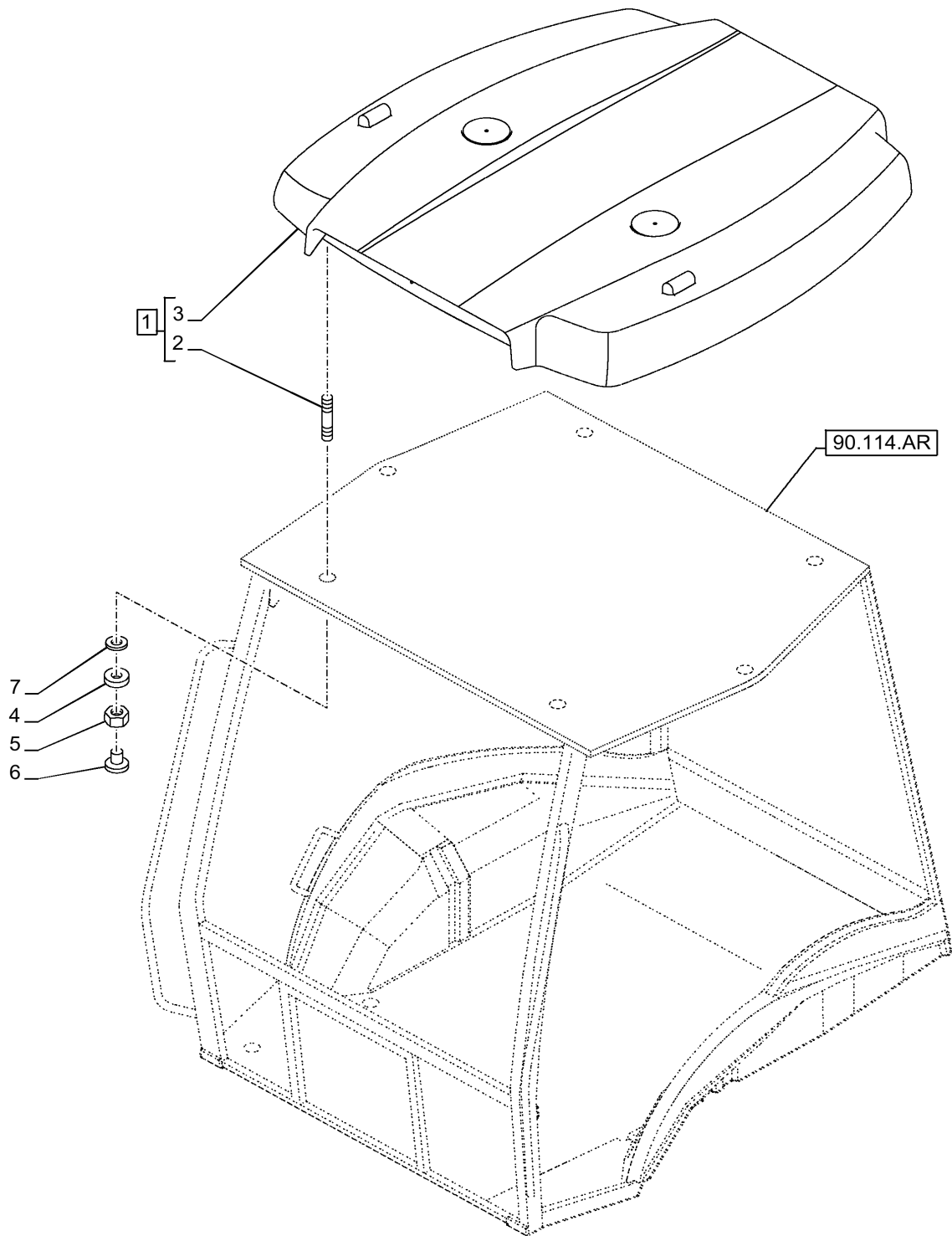


90.114.BH

p1

11/202
0

ROPS, CANOPY, ROOF



90.120.AD

02

p1

11/202
0

VAR - 728856 - ROPS, SEAT, MECHANICAL SUSPENSION, MECHANICAL

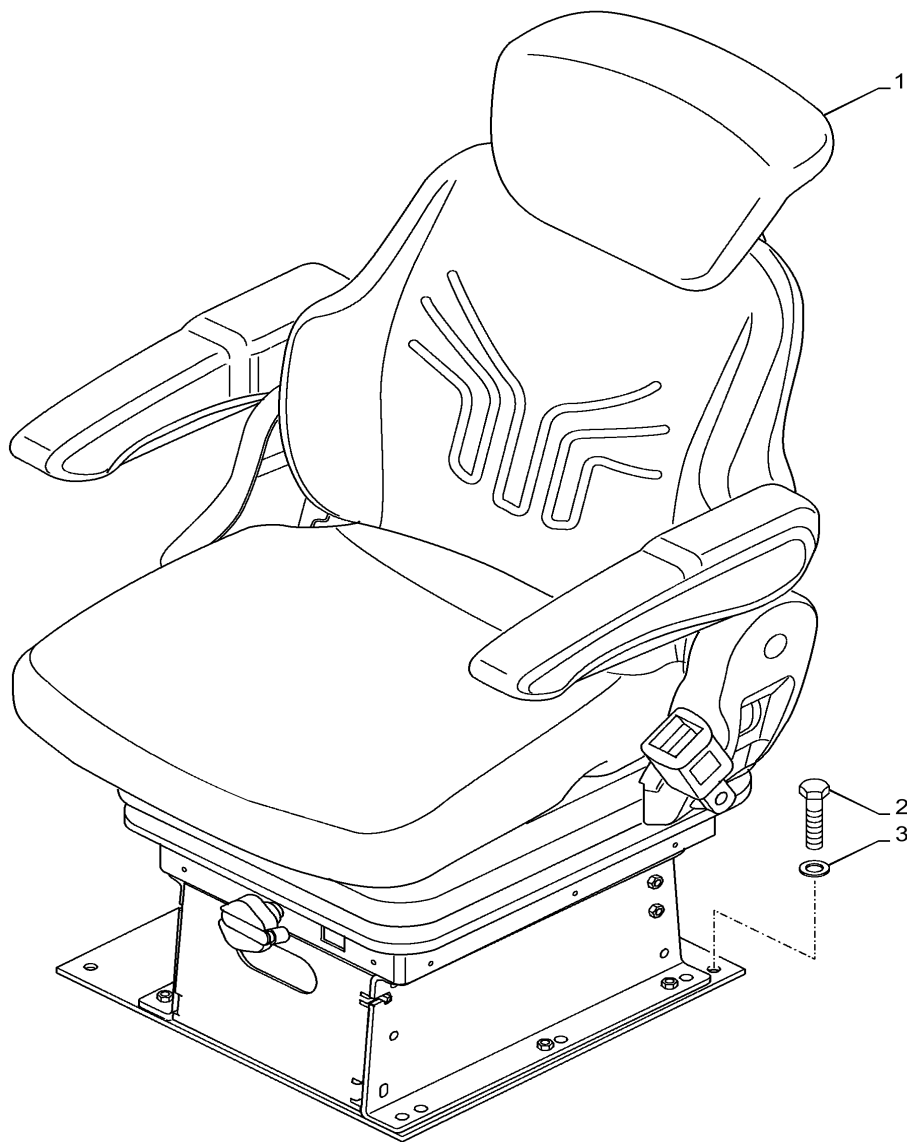


Figure is Valid with Industrial Var. 728856

90.120.AJ

01

p1

11/2020

VAR - 720851 - CAB, SEAT, MECHANICAL SUSPENSION, ADJUSTER, PILOT CONTROLS

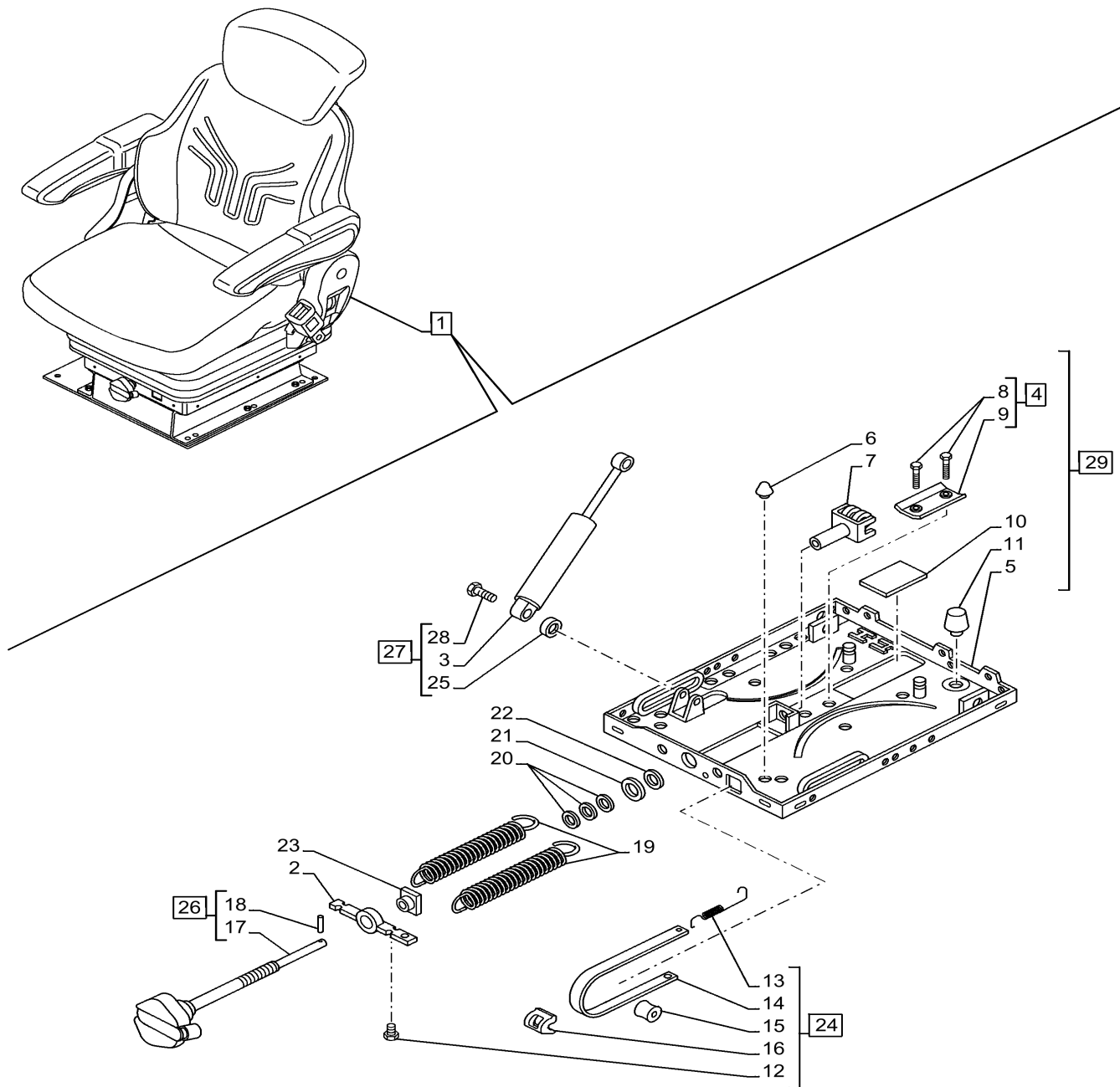


Figure is Valid with Industrial Var. 720851; D7446 Serial N. (NGHH01236 for Models Equipped with HVAC System / NGHH01250 for Models Equipped with Heating System)

90.120.BA

01

p1

11/2020

VAR - 720856 - ROPS, SEAT, MECHANICAL SUSPENSION, GUIDE, MECHANICAL

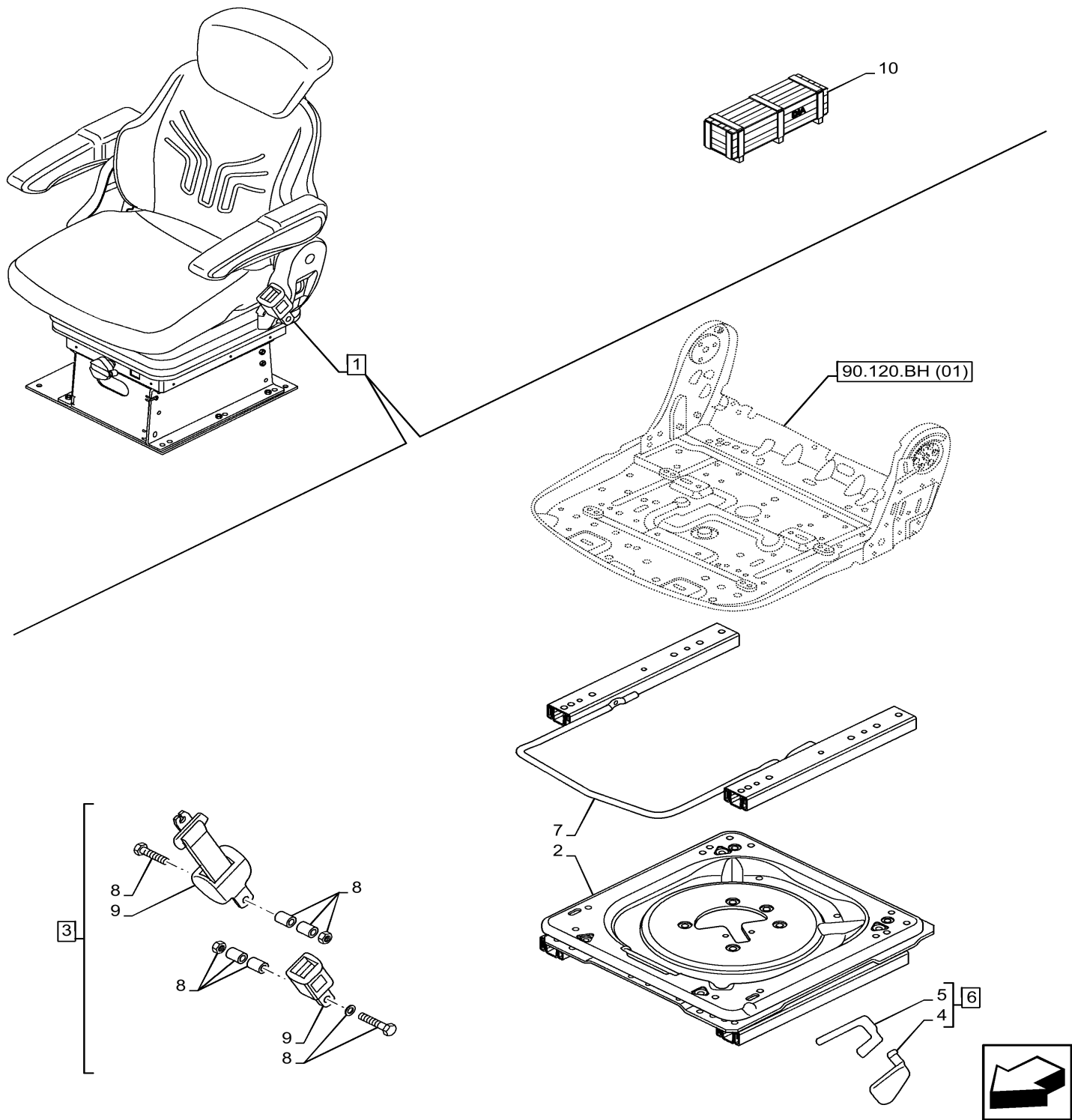


Figure is Valid with Industrial Var. 720856

90.120.BB

02

p1

11/2020

VAR - 728851 - CAB, SEAT, MECHANICAL SUSPENSION, BASE PLATE, MECHANICAL

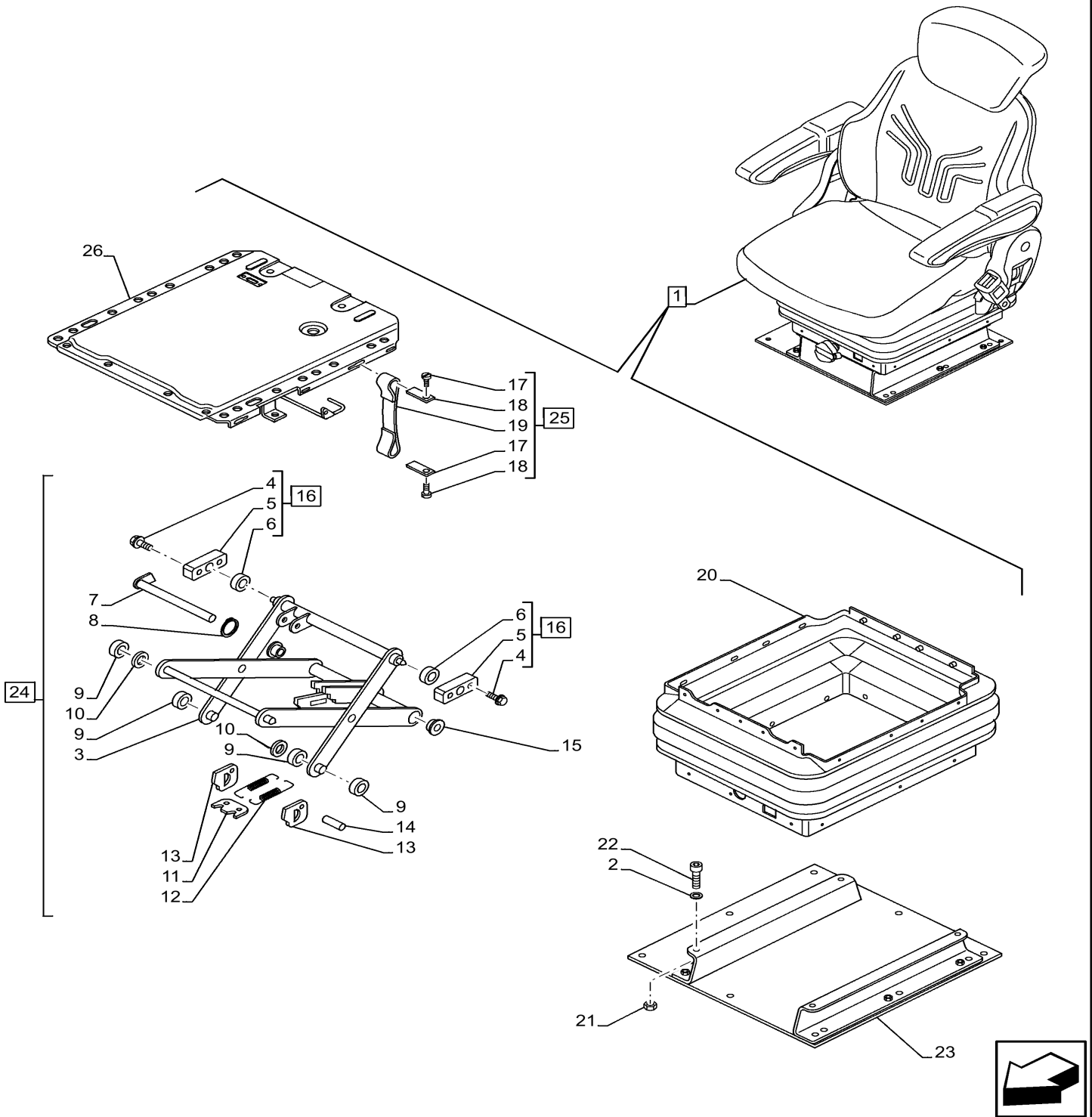


Figure is Valid with Industrial Var. 728851; D7446 Serial N. (NGHH01236 for Models Equipped with HVAC System / NGHH01250 for Models Equipped with Heating System)

90.120.BH

02

p1

11/2020

VAR - 728856 - ROPS, SEAT, MECHANICAL SUSPENSION, FRAME, MECHANICAL

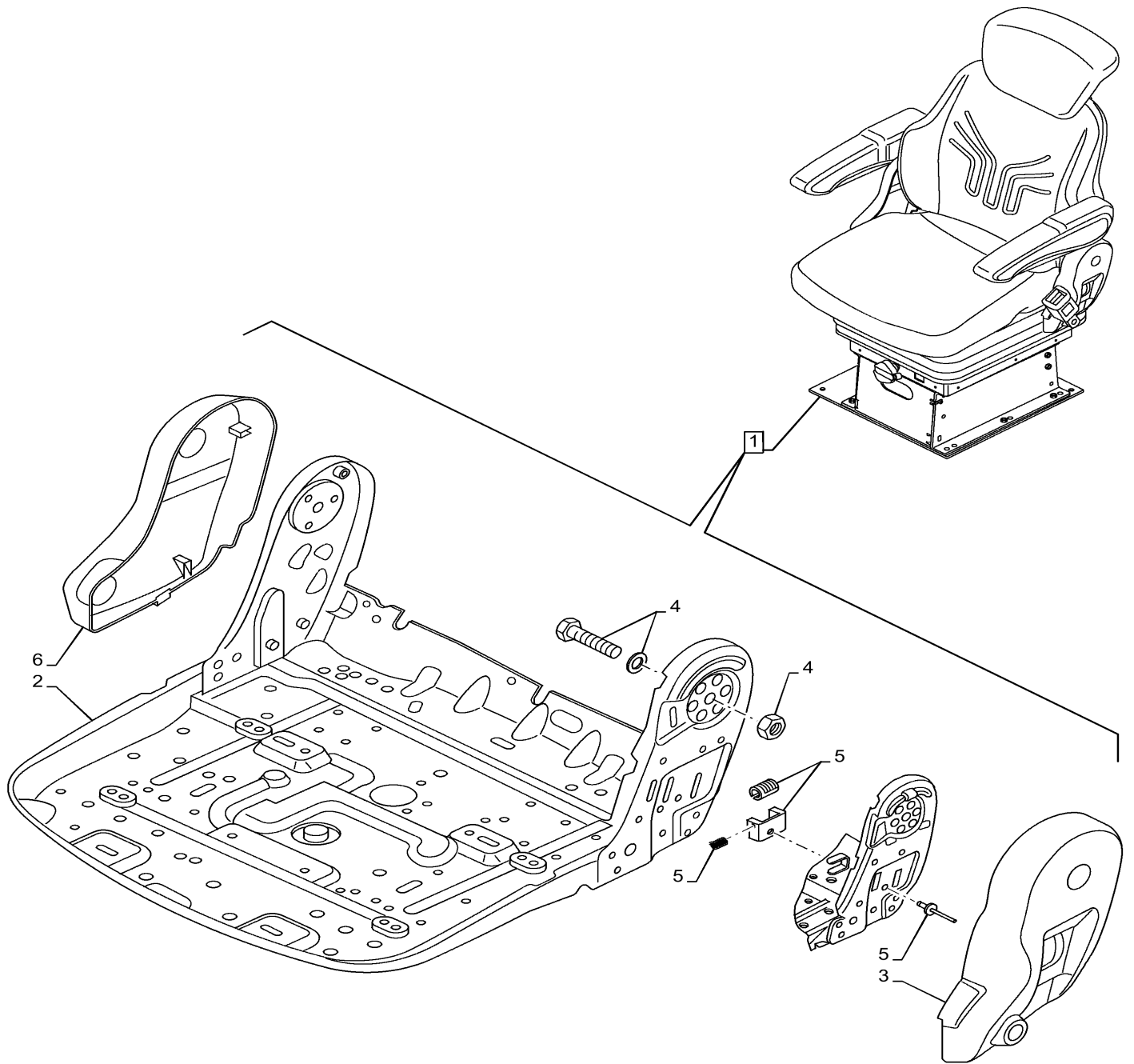


Figure is Valid with Industrial Var. 728856

VAR - 728855 - CAB, SEAT, AIR SUSPENSION, GUIDE, MECHANICAL

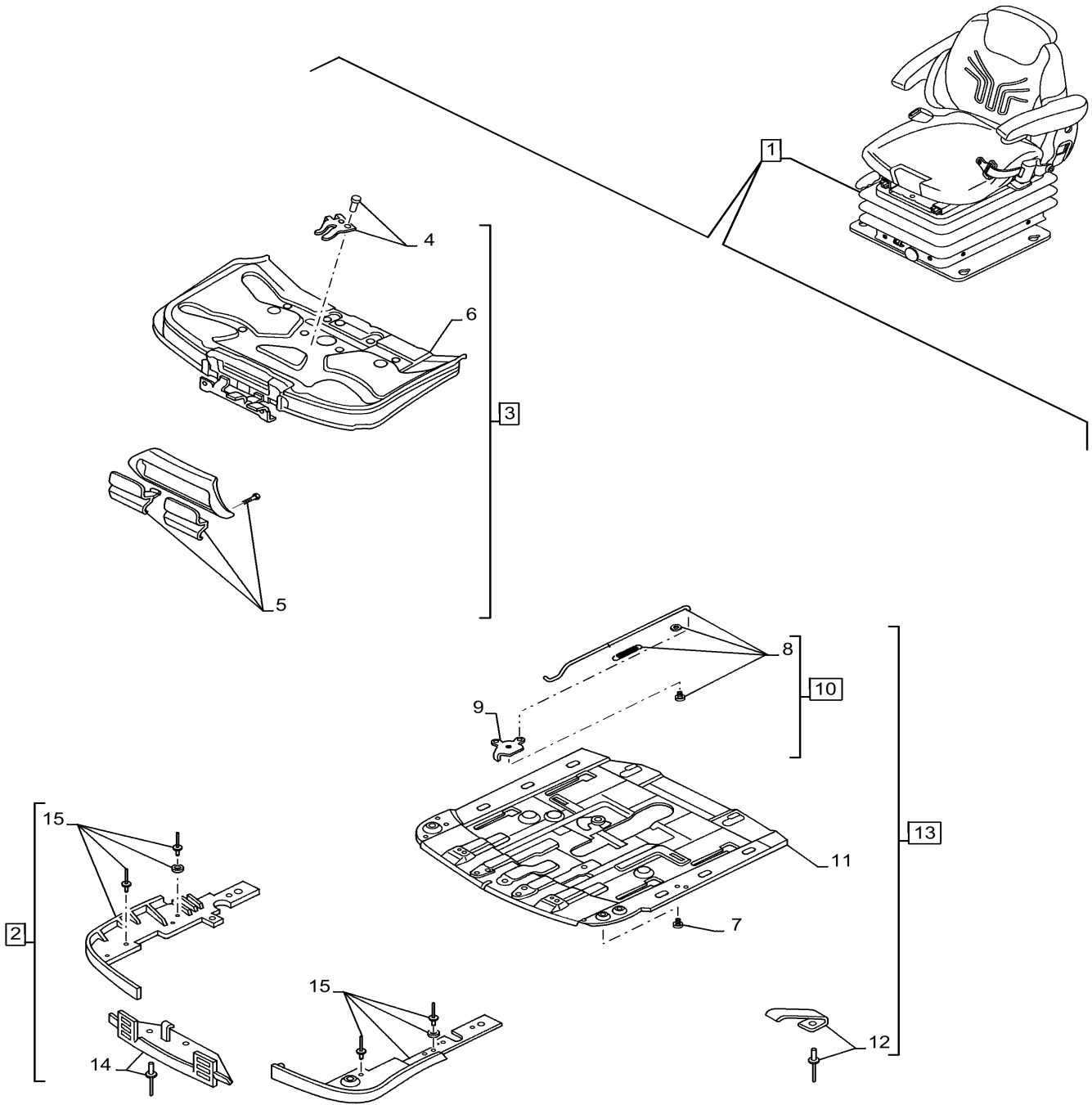


Figure is Valid with Industrial Var. 728855; D7446 Serial N. (NGHH01236 for Models Equipped with HVAC System / NGHH01250 for Models Equipped with Heating System)

VAR - 728855 - CAB, SEAT, AIR SUSPENSION, AIR COMPRESSOR, SPRING, PILOT CONTROLS

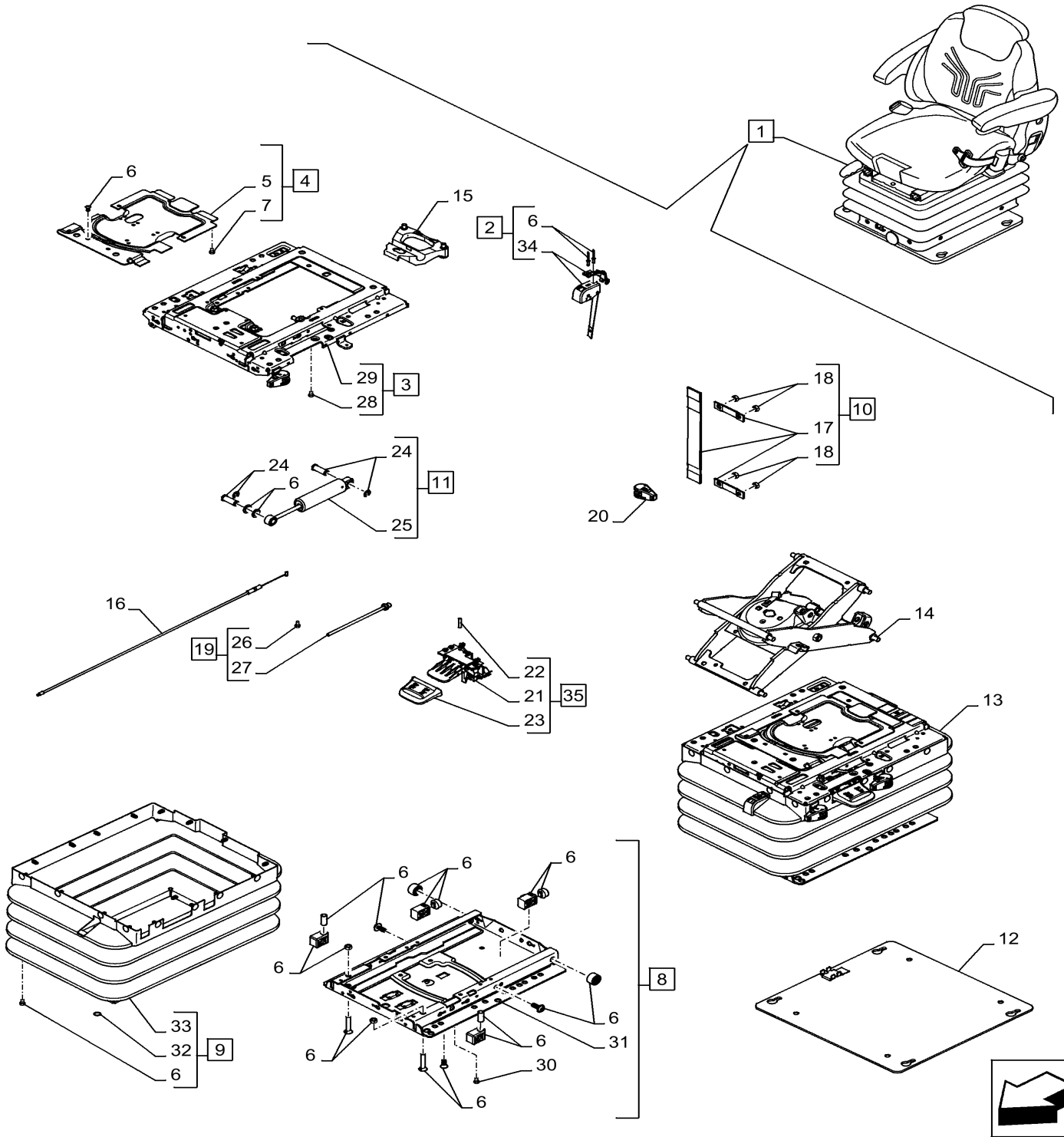


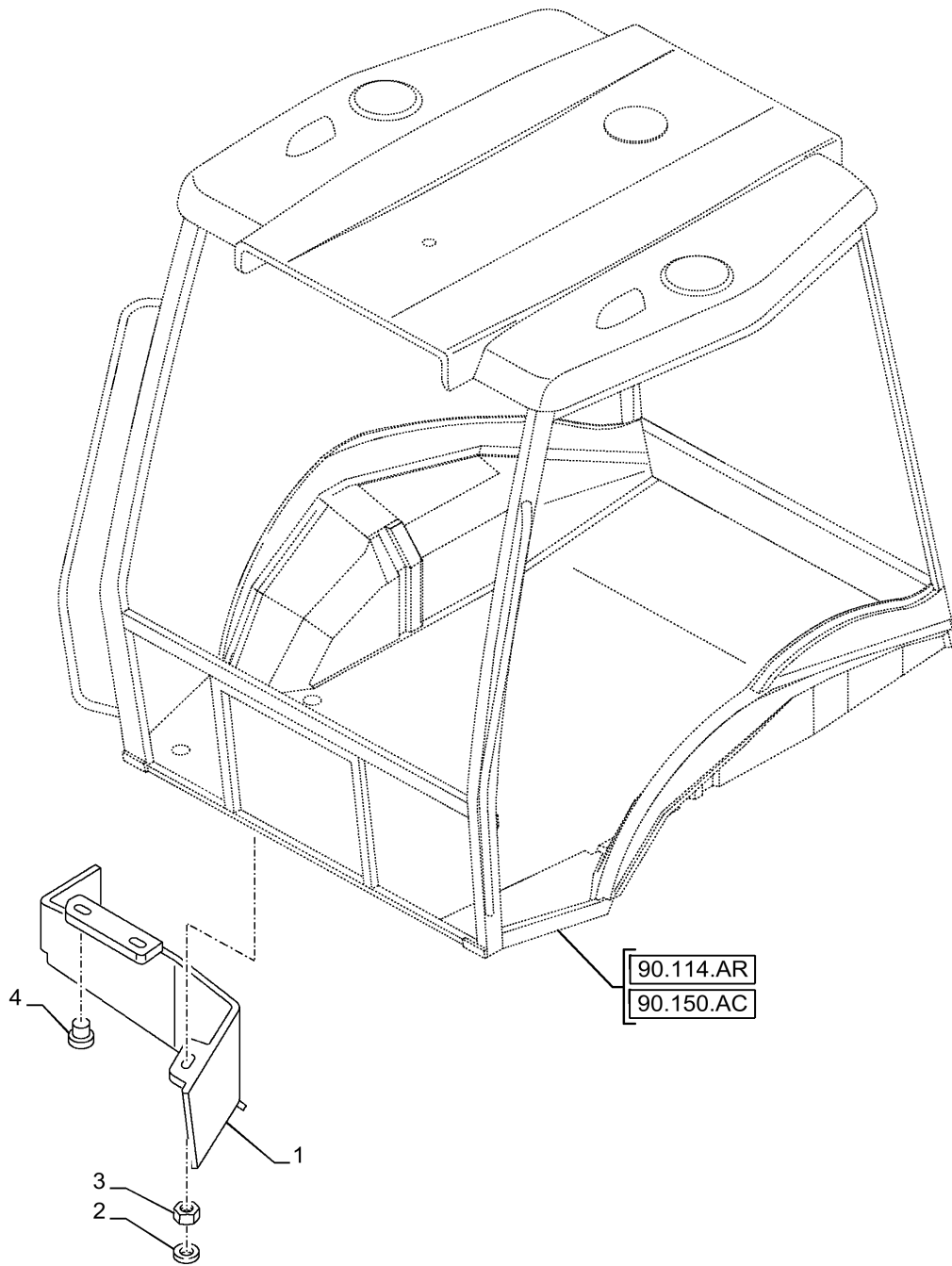
Figure is Valid with Industrial Var. 728855; D7446 Serial N. (NGHH01236 for Models Equipped with HVAC System / NGHH01250 for Models Equipped with Heating System)

90.150.BJ

p1

11/202
0

CAB GUARD

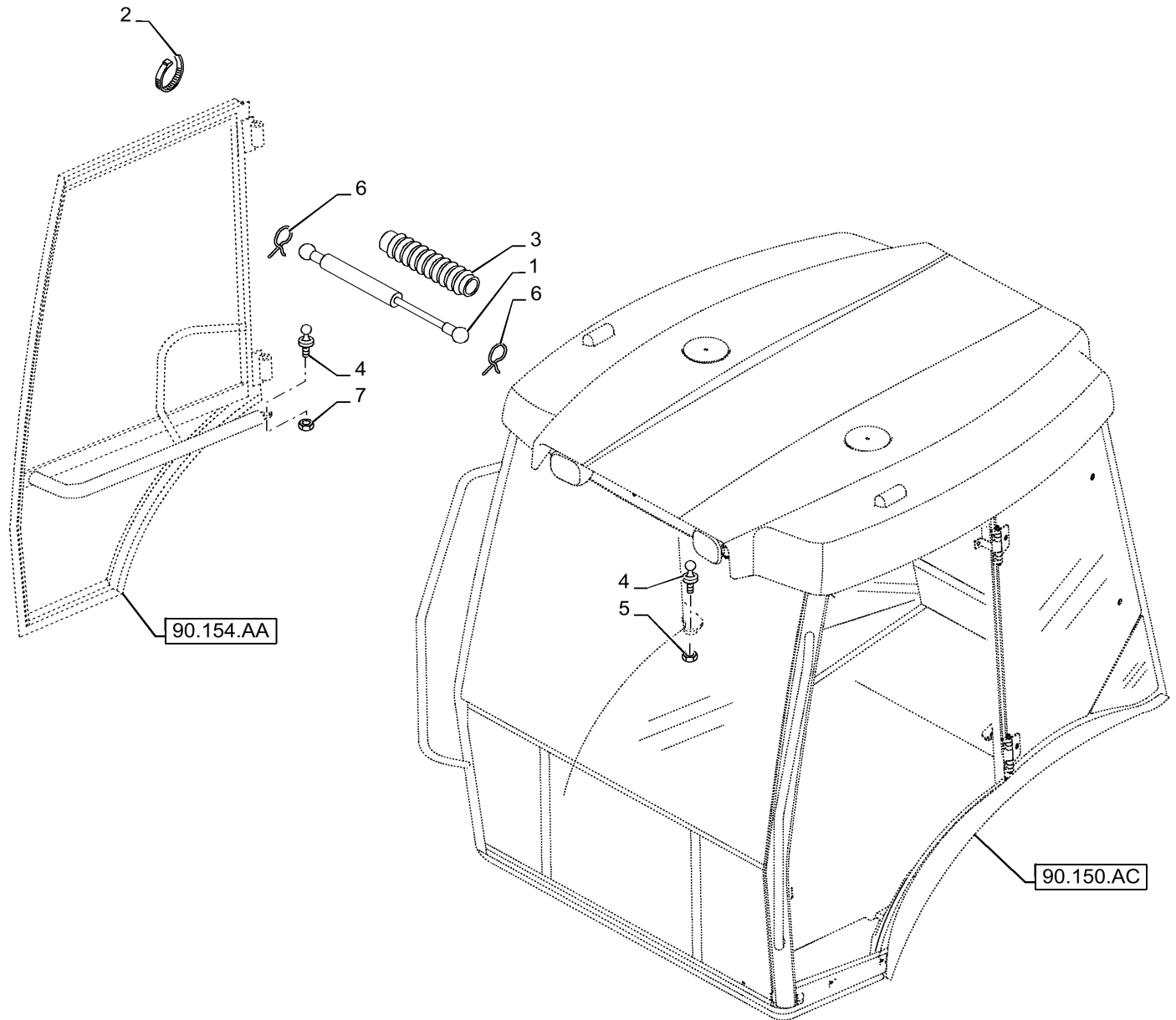


90.154.AQ

p1

11/202
0

CAB DOOR, STRUT



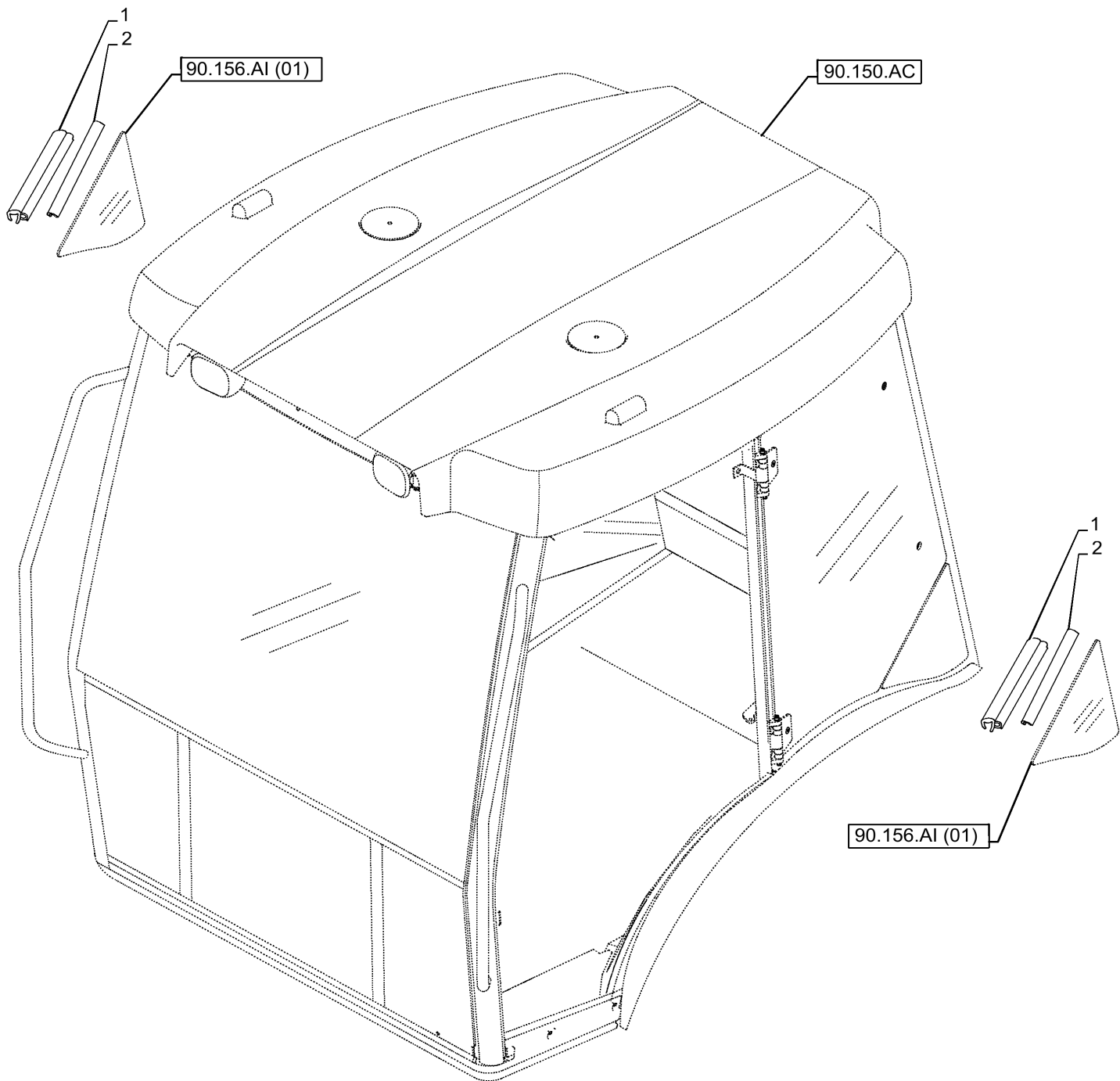
90.156.BE

01

p1

11/202
0

CAB, SIDE GLASS, REAR, LOWER, WEATHERSTRIP



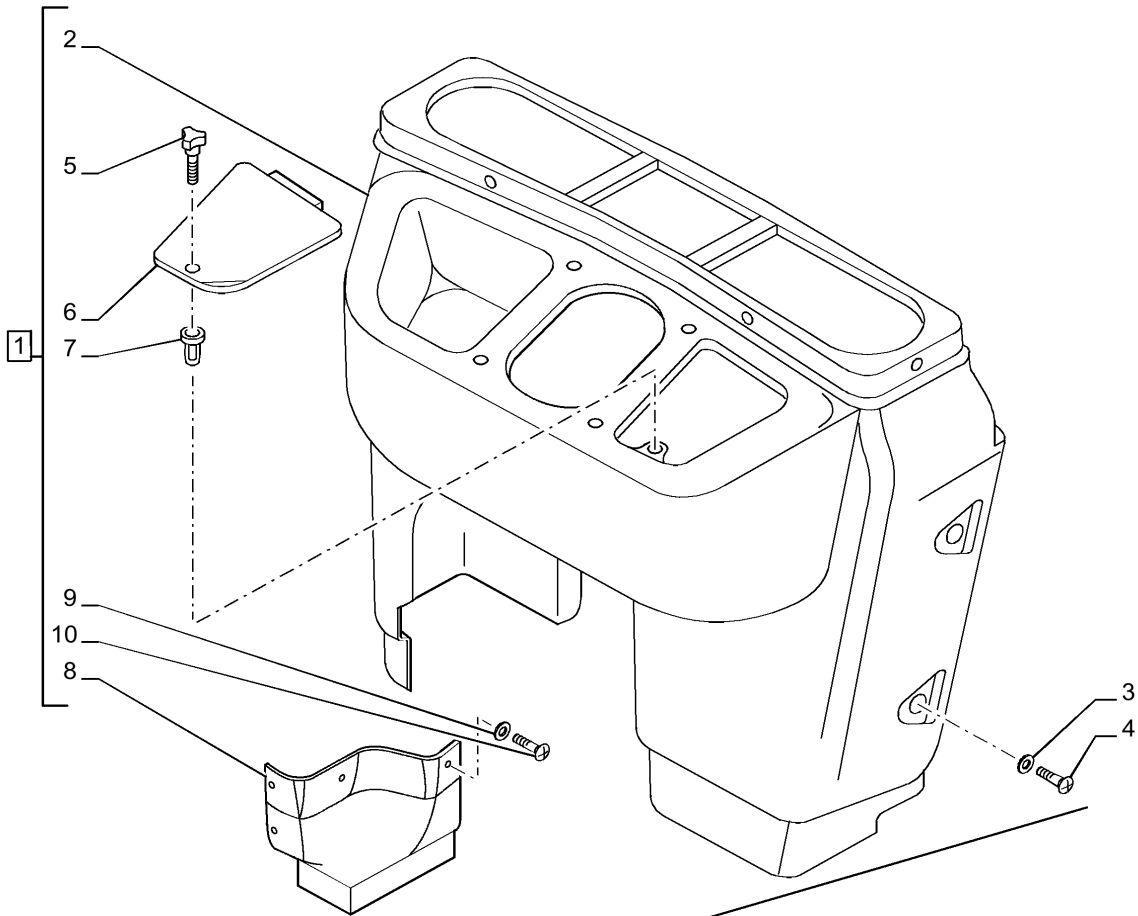
90.160.AO

04

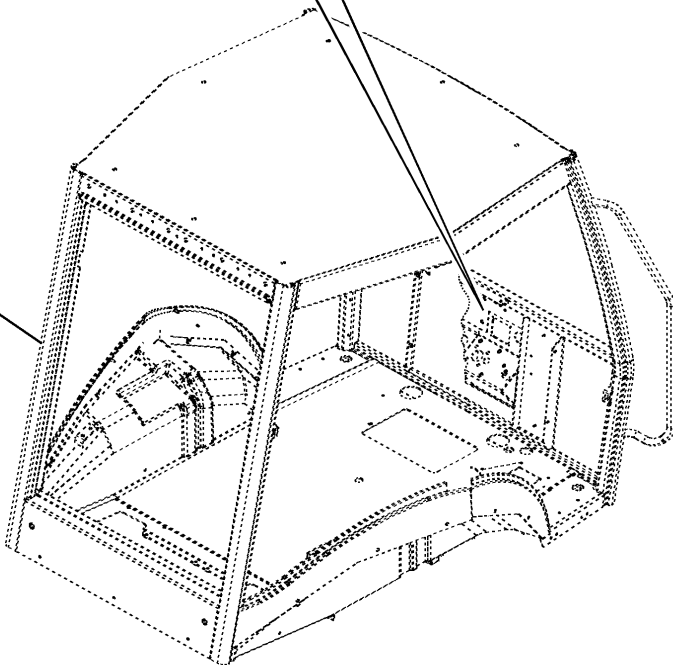
p1

11/202
0

ROPS, DASHBOARD, FRONT, LOWER



90.114.AR



90.160.BL

p1

11/202
0

VAR - 742331, 742333, 742335 - GUARD, SWITCH, STABILIZER

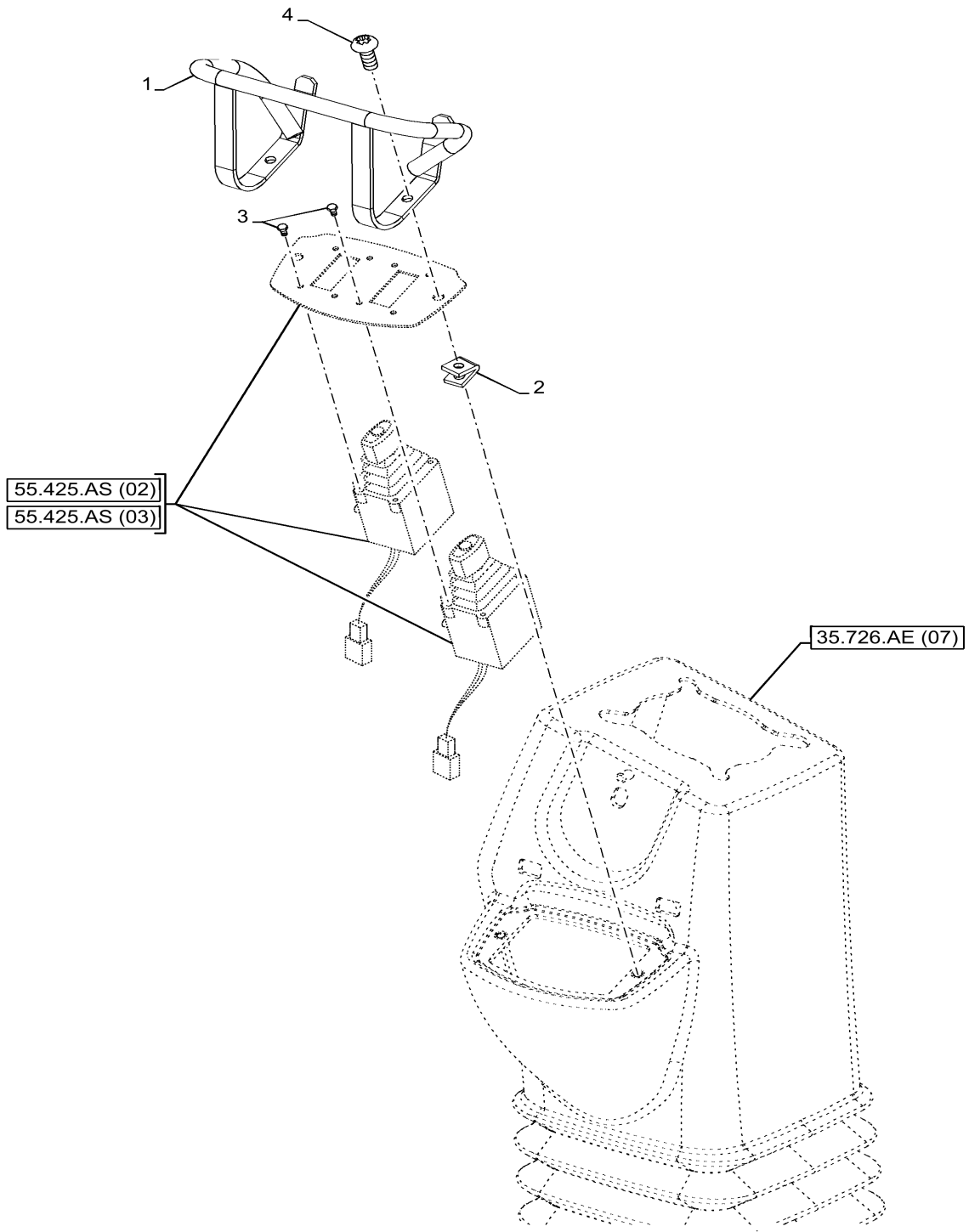


Figure is Valid with Industrial Var. 742331, 742333, 742335

CLICK HERE TO **DOWNLOAD** THE COMPLETE MANUAL

- Thank you very much for reading the preview of the manual.
- You can download the complete manual from: www.heydownloads.com by clicking the link below



- Please note: If there is no response to CLICKING the link, please download this PDF first and then click on it.

CLICK HERE TO **DOWNLOAD** THE COMPLETE MANUAL