

All rights reserved by **CNHi**.

The information contained in this catalogue is intended to be of a general nature only. **CNHi** may at any time and from time to time, for technical or other necessary reasons, modify any of the details or specifications of the product described in this catalogue.

To be sure of getting accurate, detailed and up-to-date information, an intending buyer should consult his nearest **CNHi** dealer or distributor.

Single item numeration method used in this catalogue may not be used without written consent from **CNHi**.

CLICK HERE TO **DOWNLOAD** THE COMPLETE MANUAL

- Thank you very much for reading the preview of the manual.
- You can download the complete manual from: [www.heydownloads.com](http://www.heydownloads.com) by clicking the link below

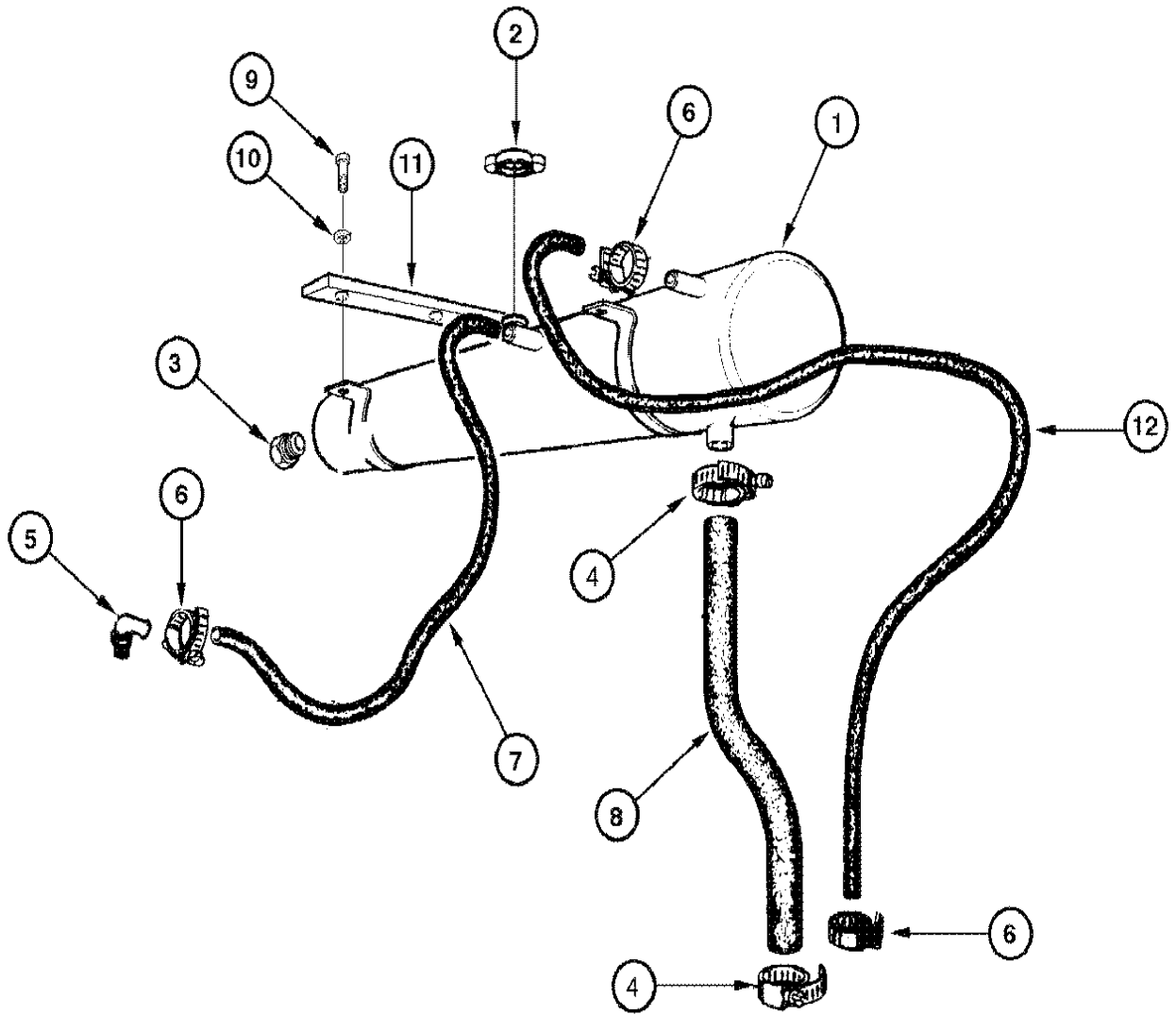


- Please note: If there is no response to CLICKING the link, please download this PDF first and then click on it.

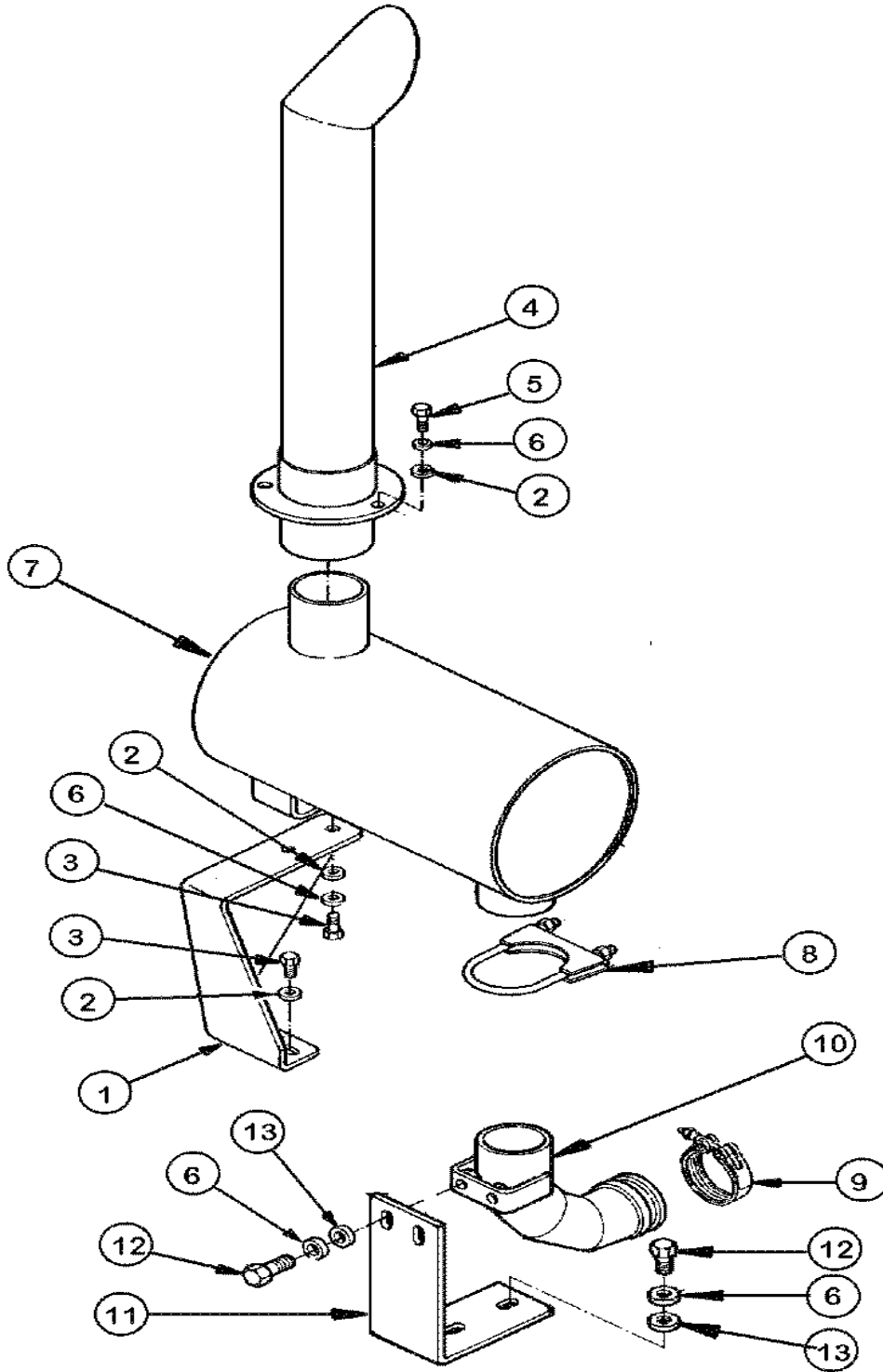
CLICK HERE TO **DOWNLOAD** THE COMPLETE MANUAL



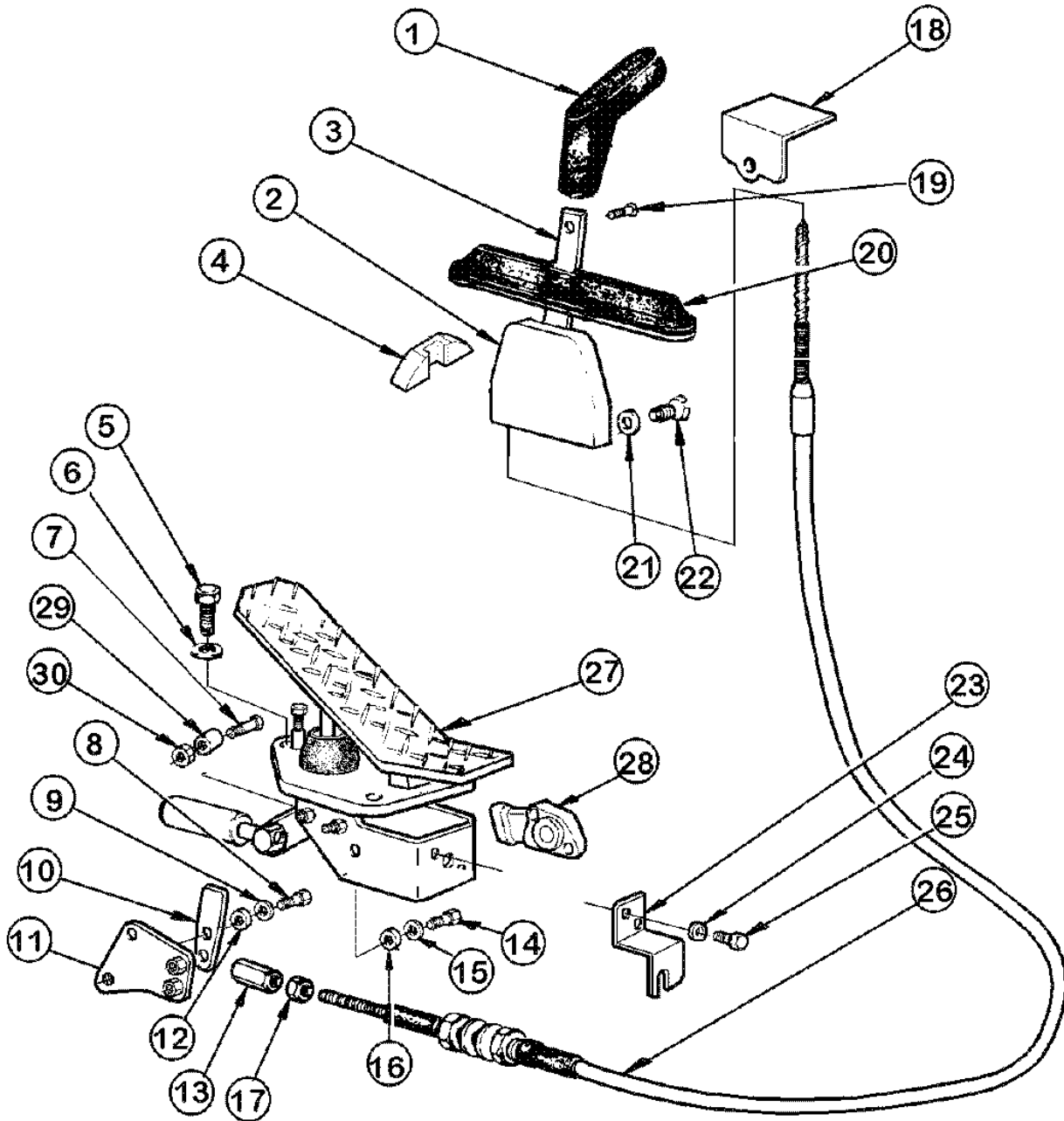
COOLING SYSTEM - EXPANSION TANK



MUFFLER AND EXHAUST SYSTEM



THROTTLE AND LINKS

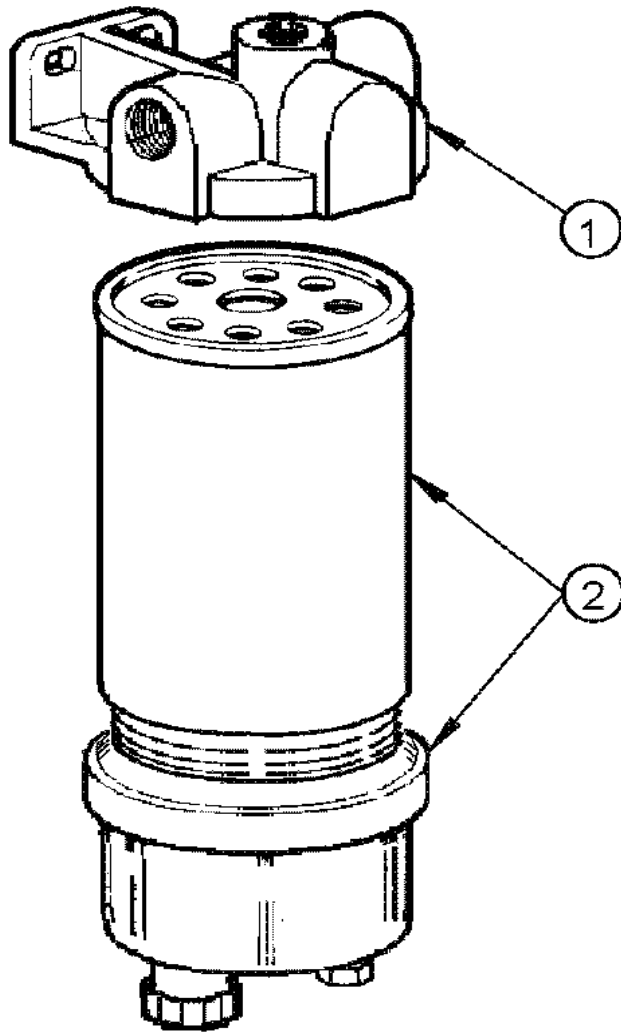


3-010

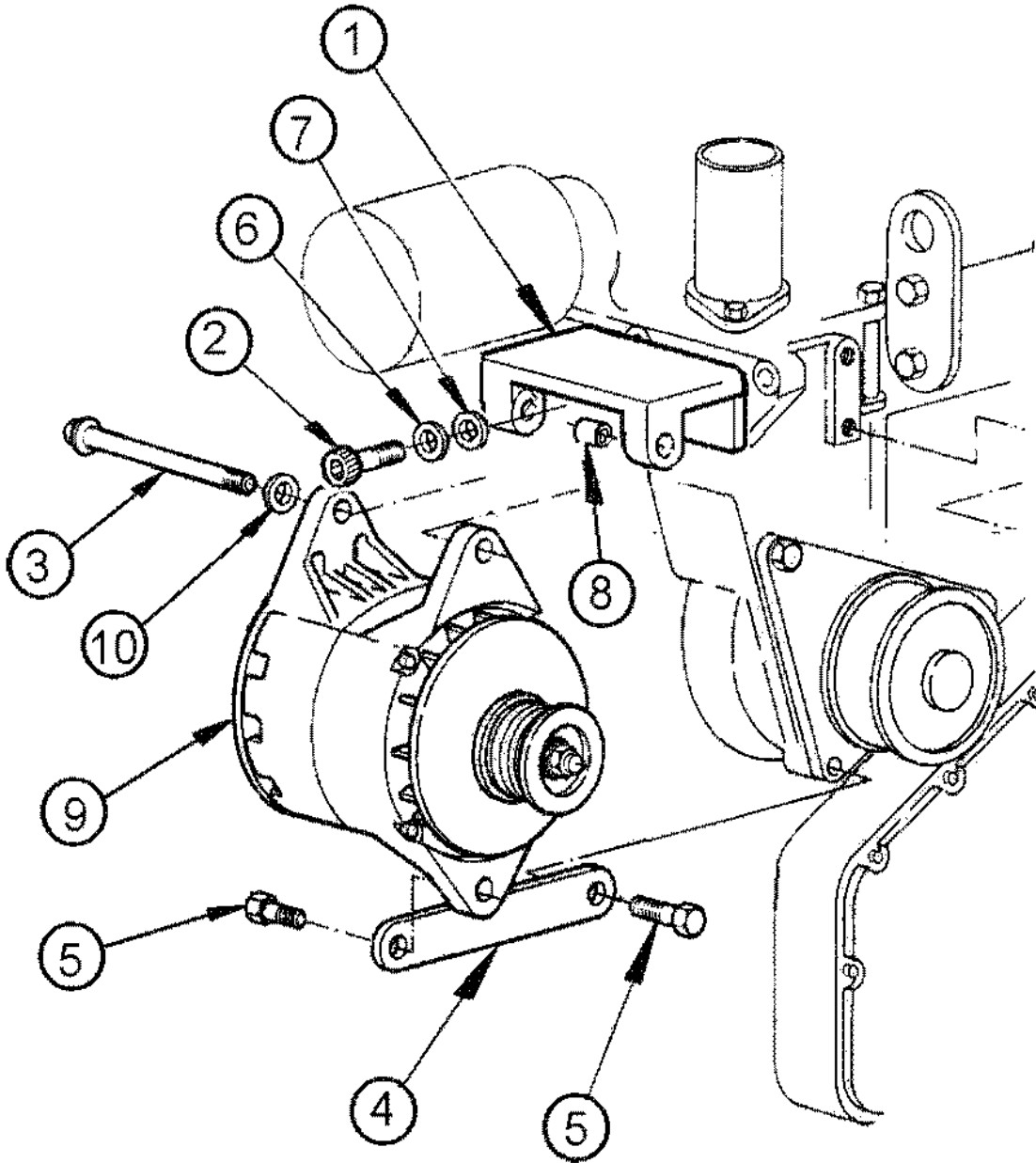
p1

1/2020

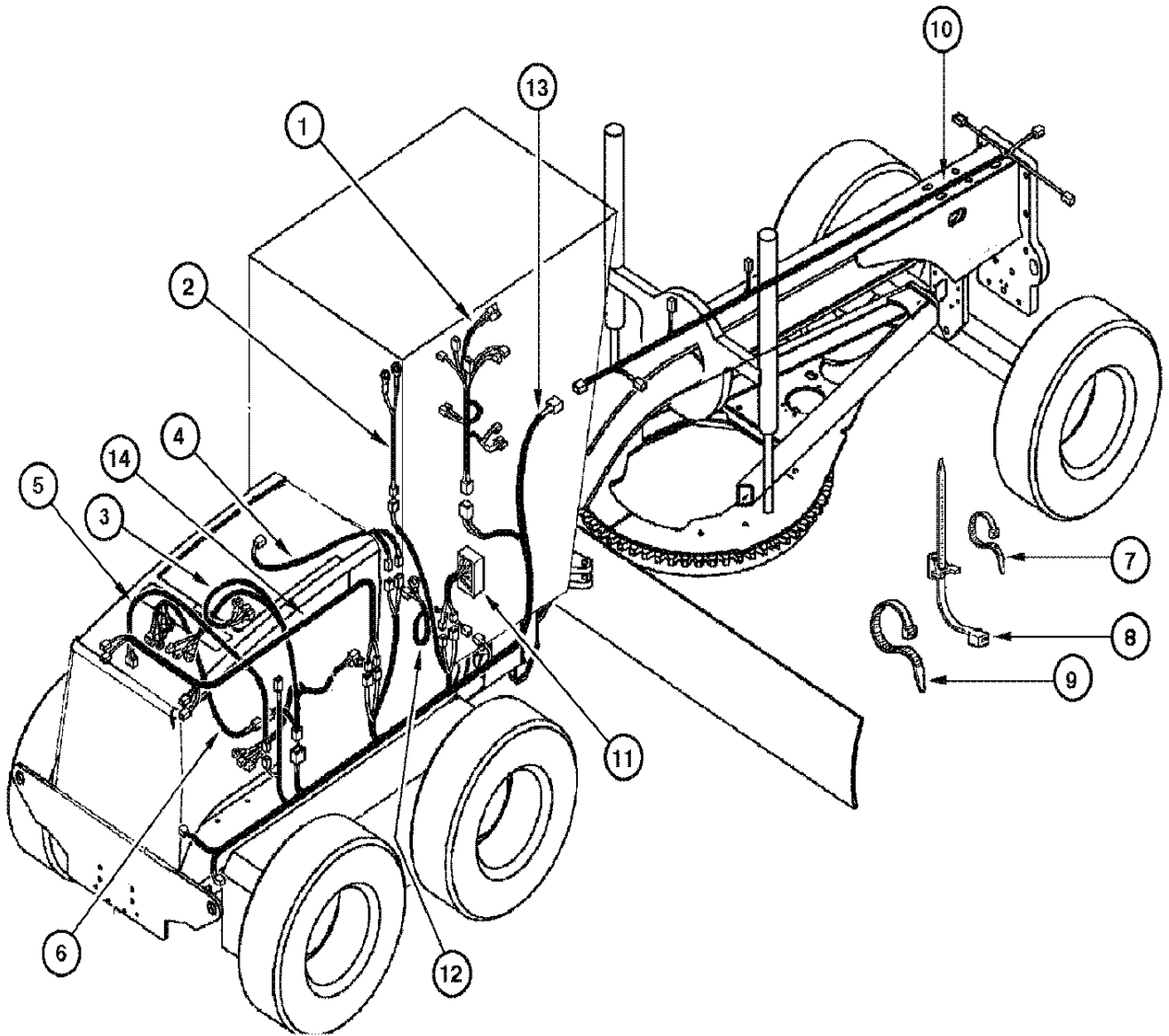
FUEL FILTER



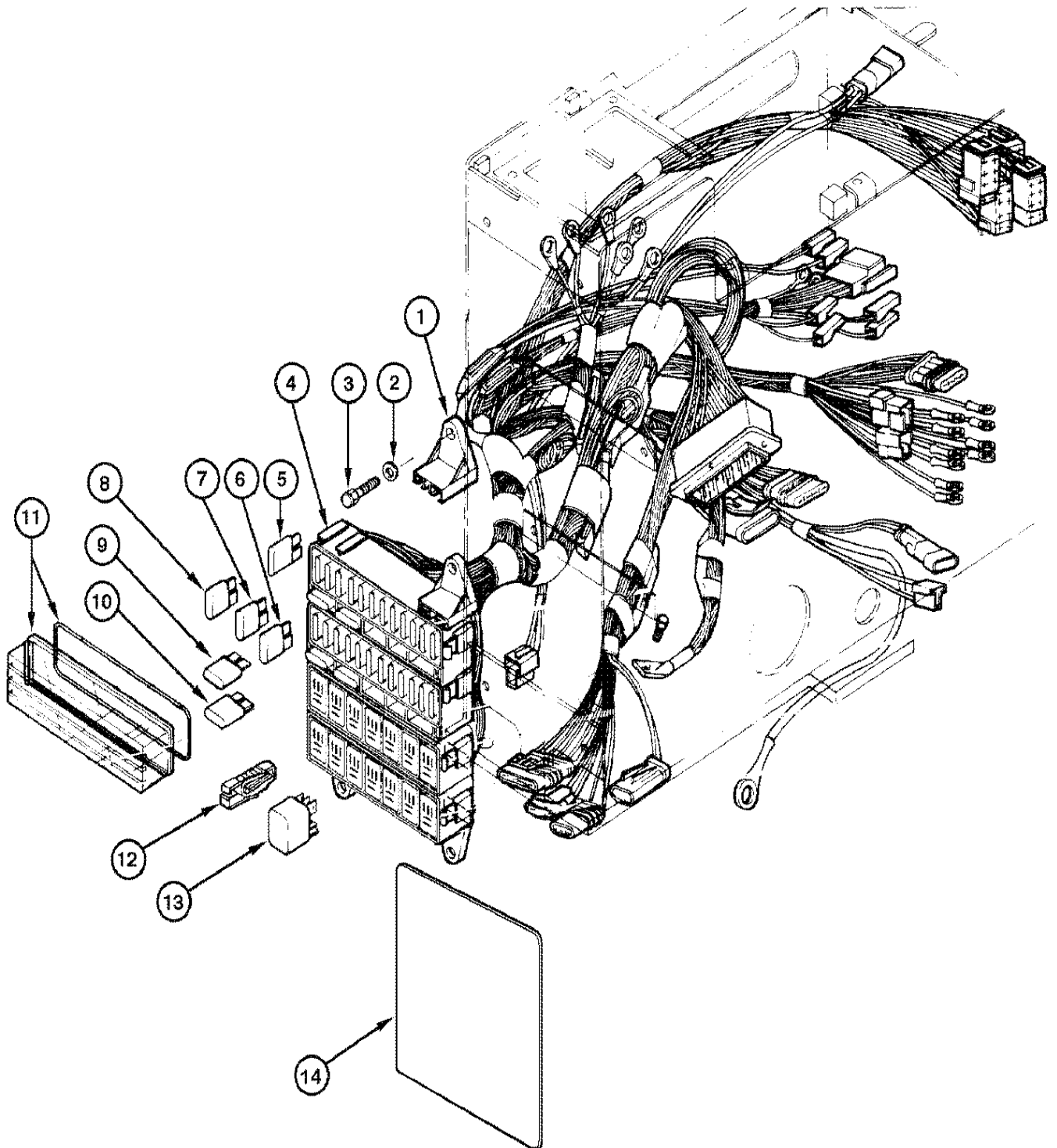
ALTERNATOR 50A ASSEMBLY



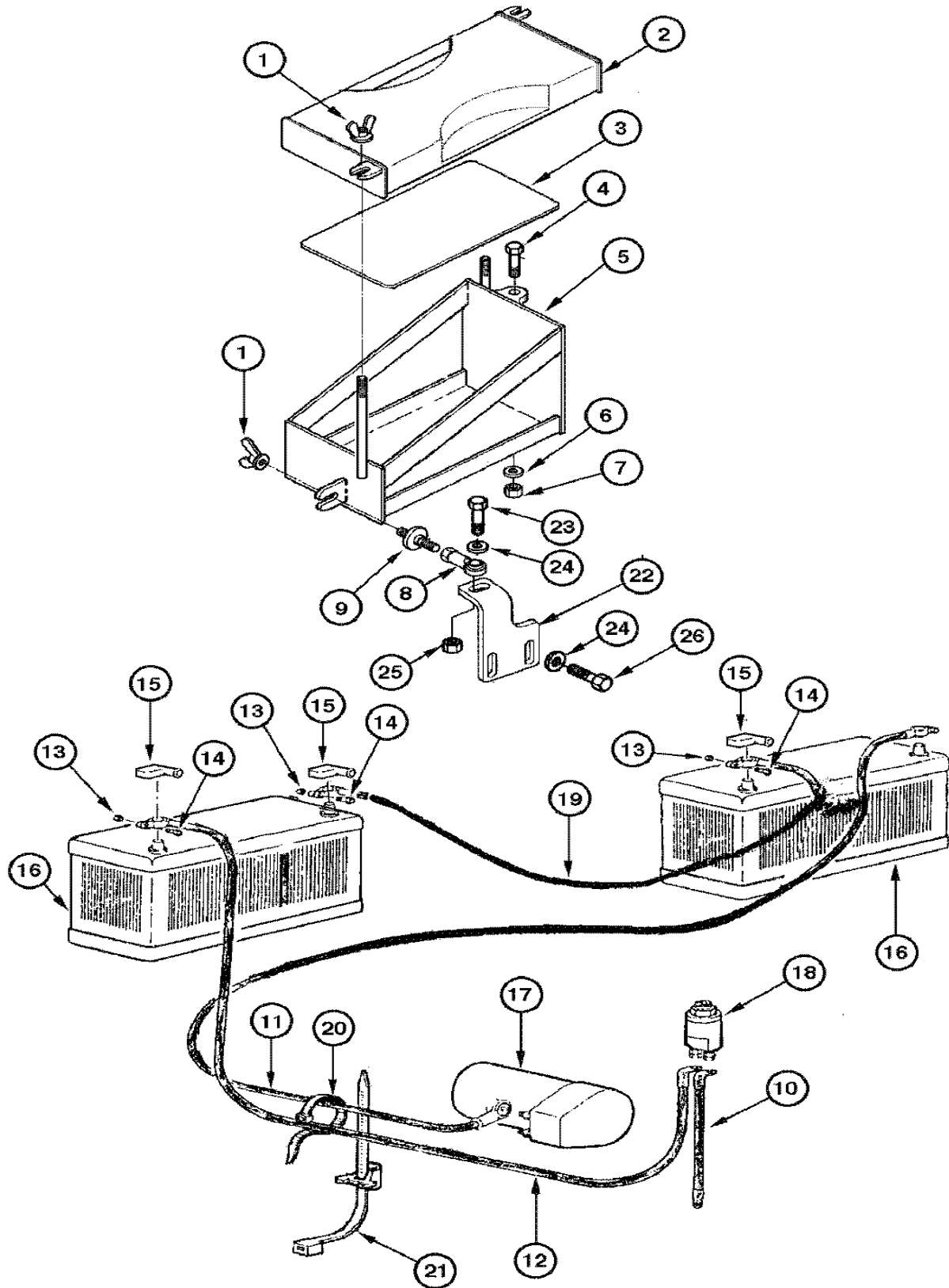
ELECTRIC SYSTEM - MAIN



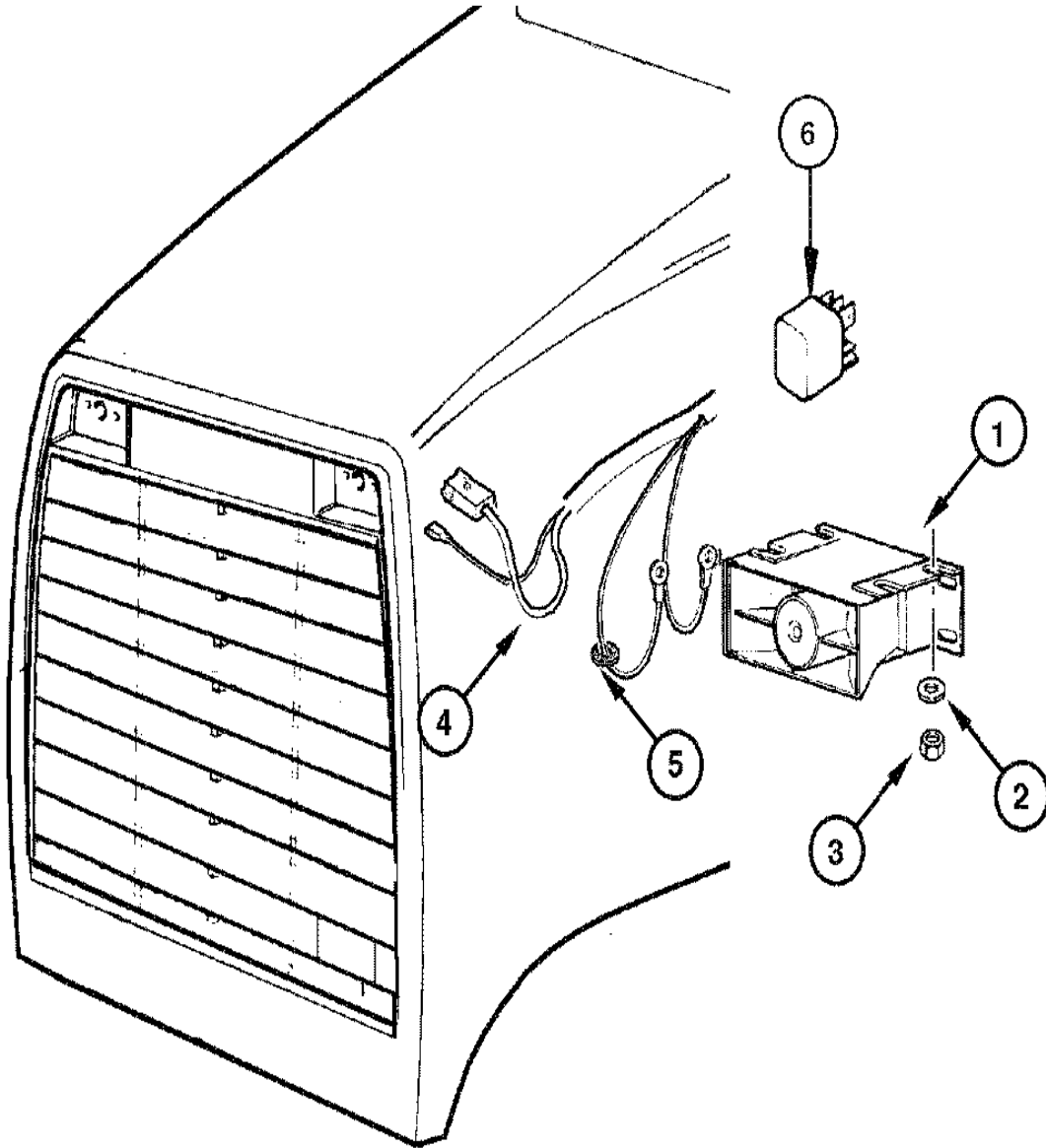
ELECTRIC SYSTEM - RELAYS AND FUSES



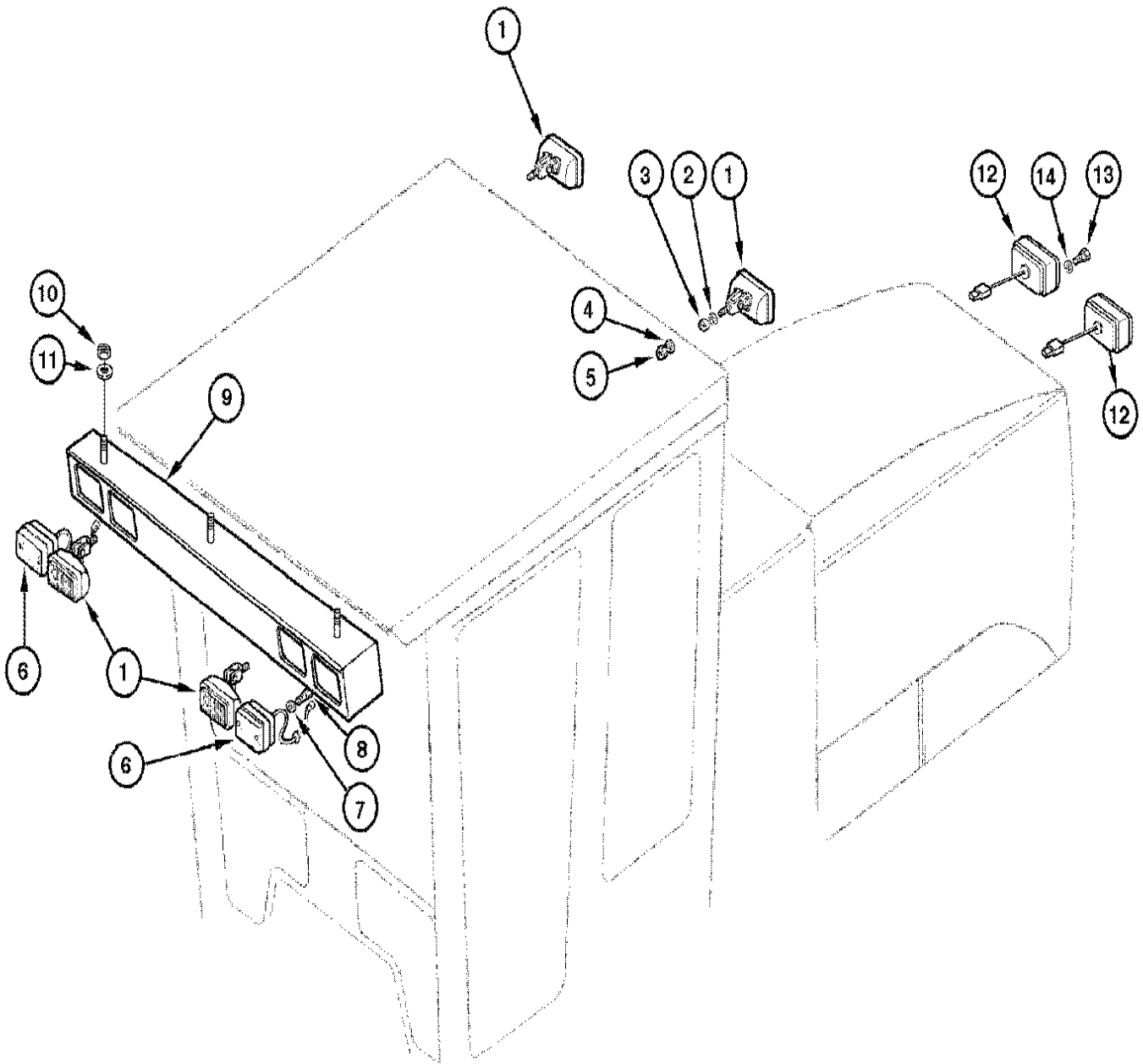
ELECTRIC SYSTEM - BATTERY



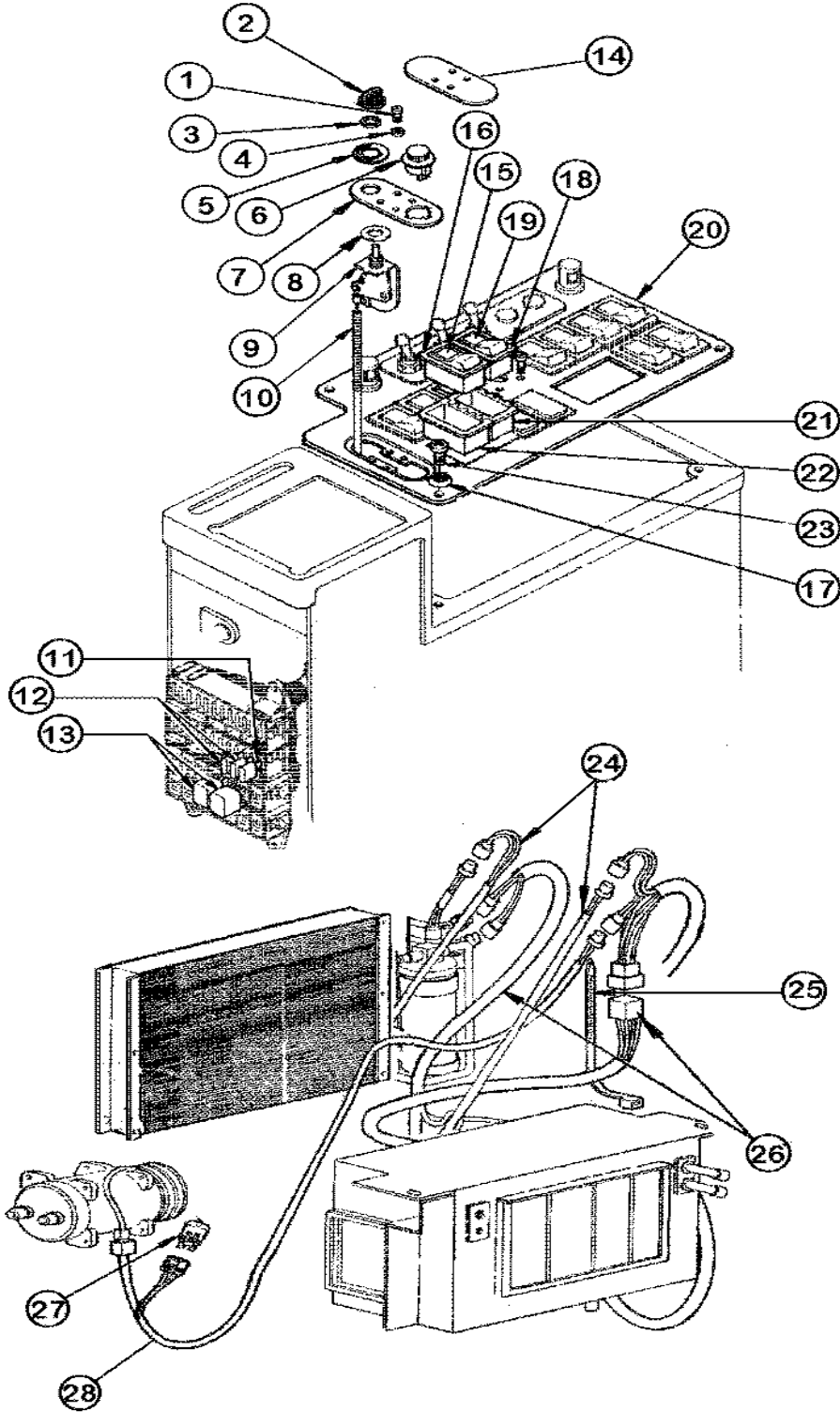
ELECTRIC SYSTEM - BACK-UP ALARM



HEADLIGHT AND LANTERN - CAB



AIR CONDITIONING SYSTEM



---

## SECTION INDEX

### STEERING

---

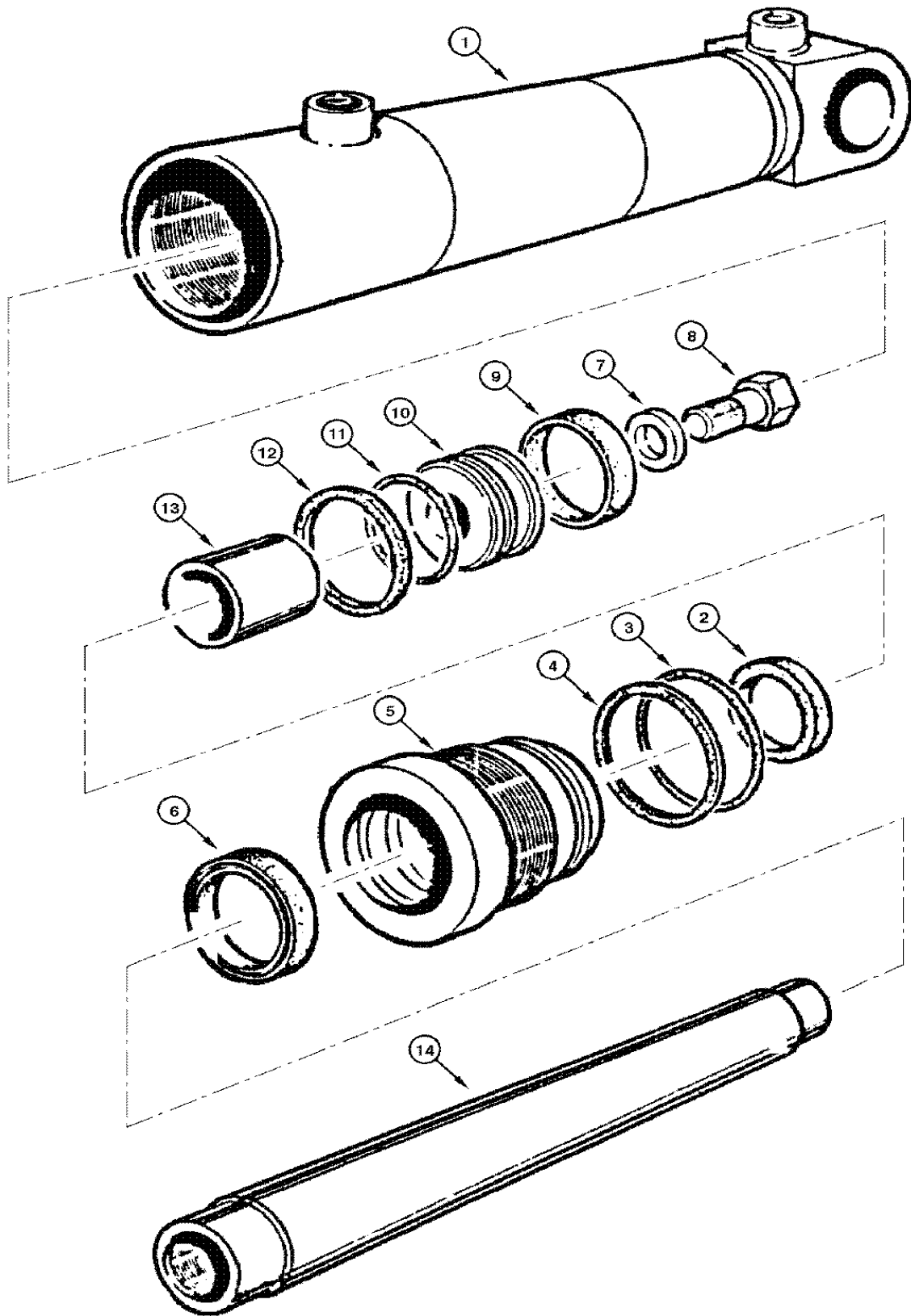
5-002	STEERING COLUMN ASSEMBLY
5-004	BRAKE AND STEERING - HYDRAULIC CIRCUIT
5-006	STEERING CYLINDER ASSEMBLY
5-008	STEERING HYDRAULIC ASSEMBLY
5-010	VALVE PRIORITY ASSEMBLY

5-006

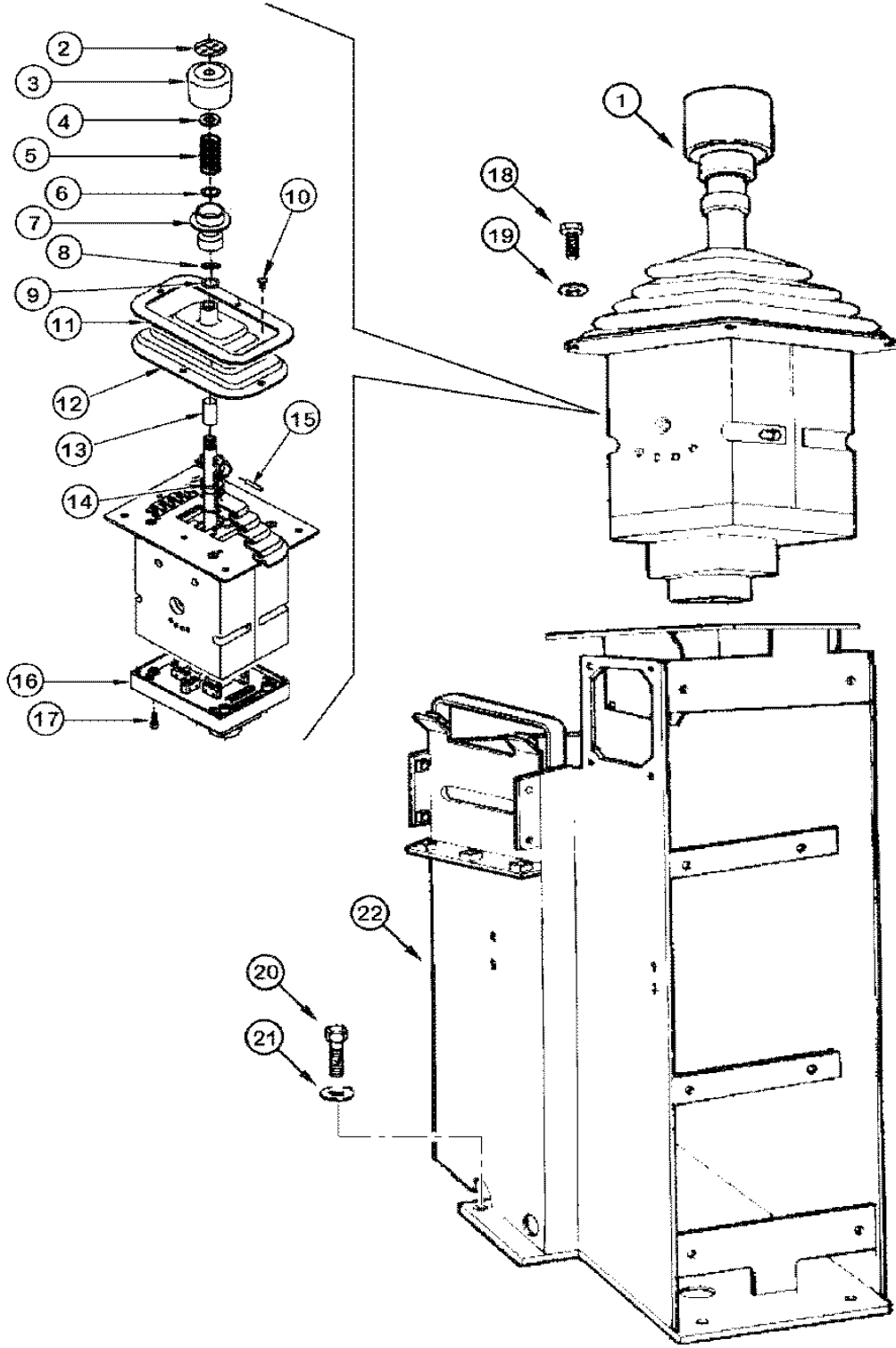
p1

1/2020

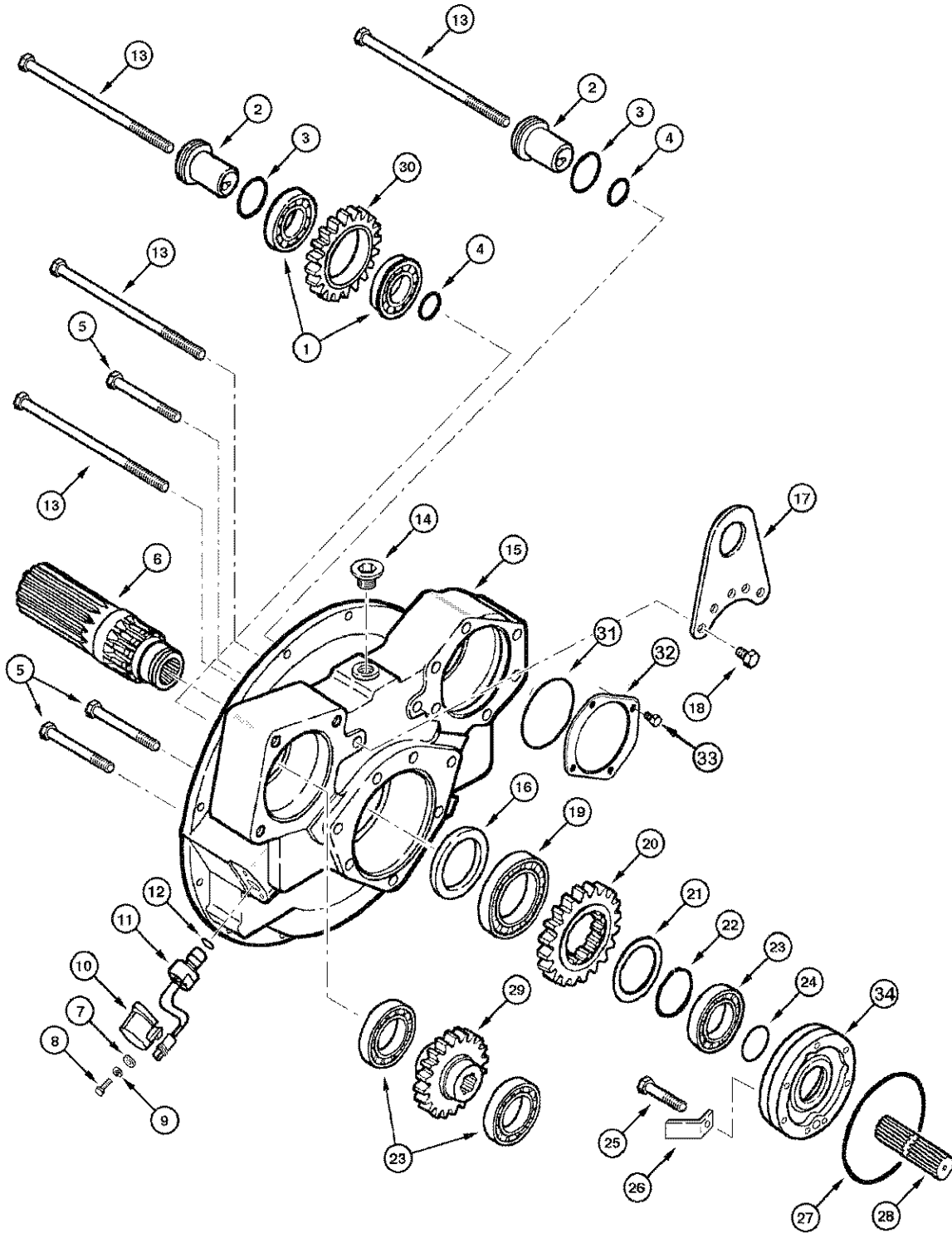
STEERING CYLINDER ASSEMBLY



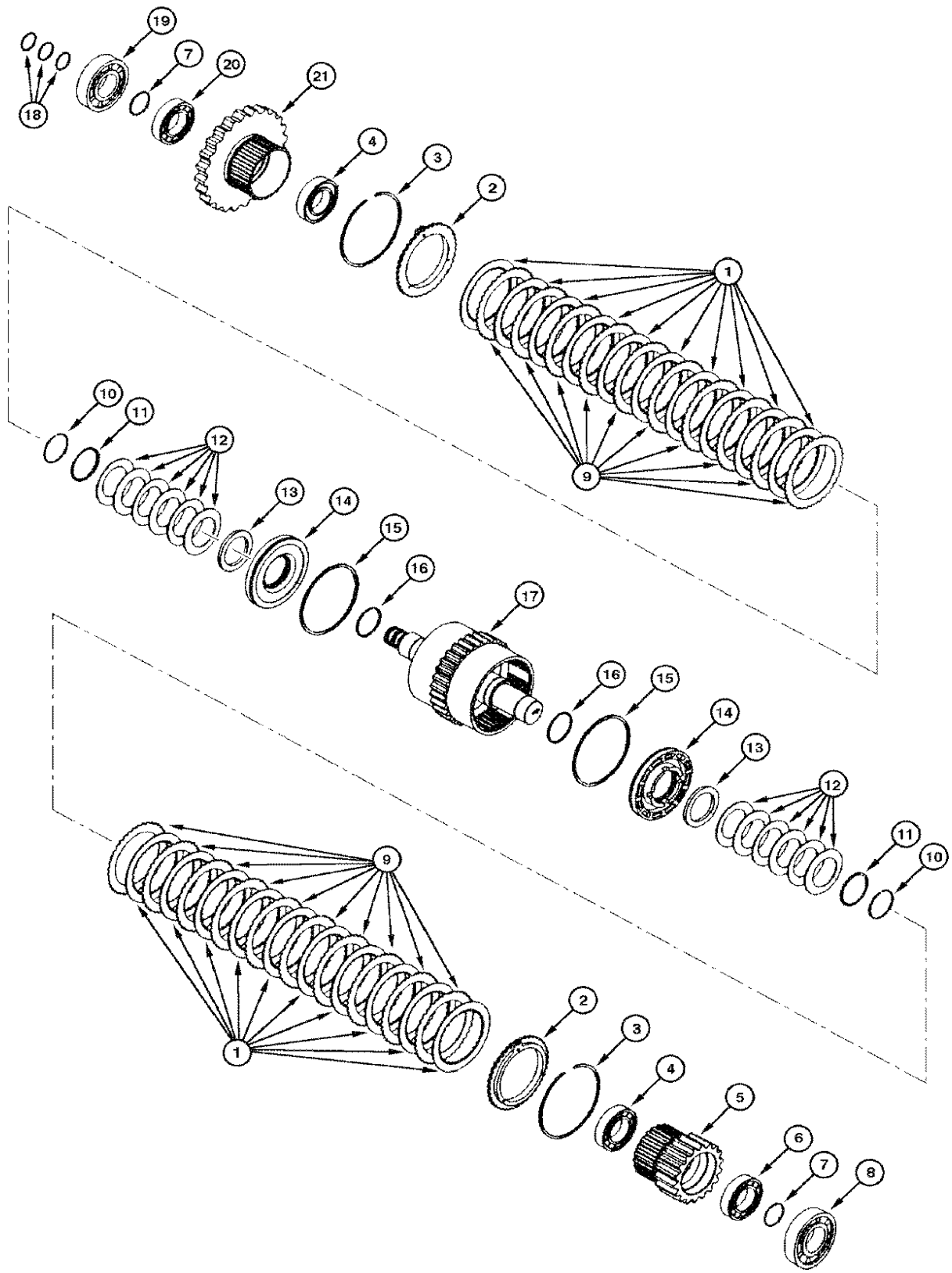
TRANSMISSION LEVER



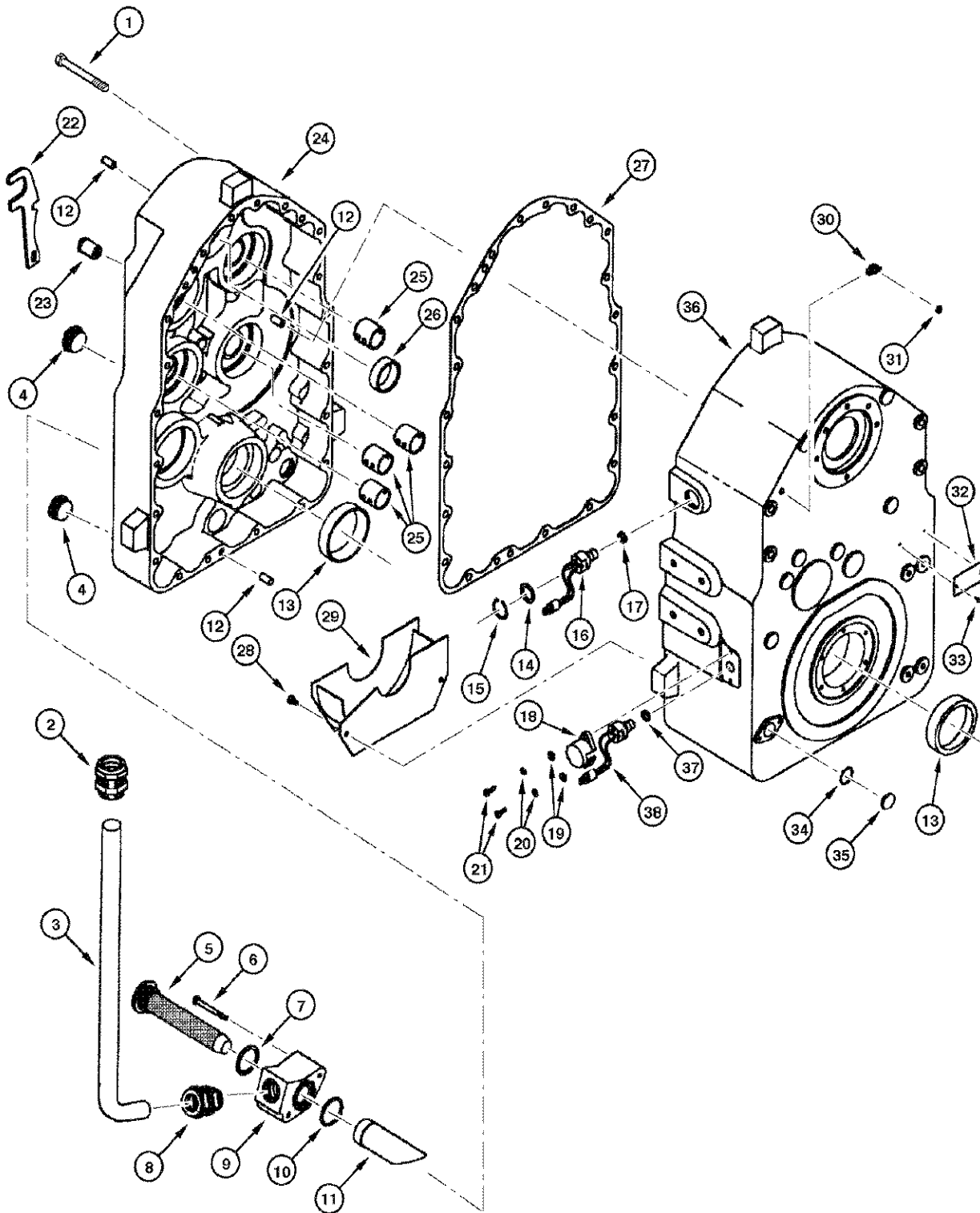
TRANSMISSION - HOUSING AND INPUT SHAFT



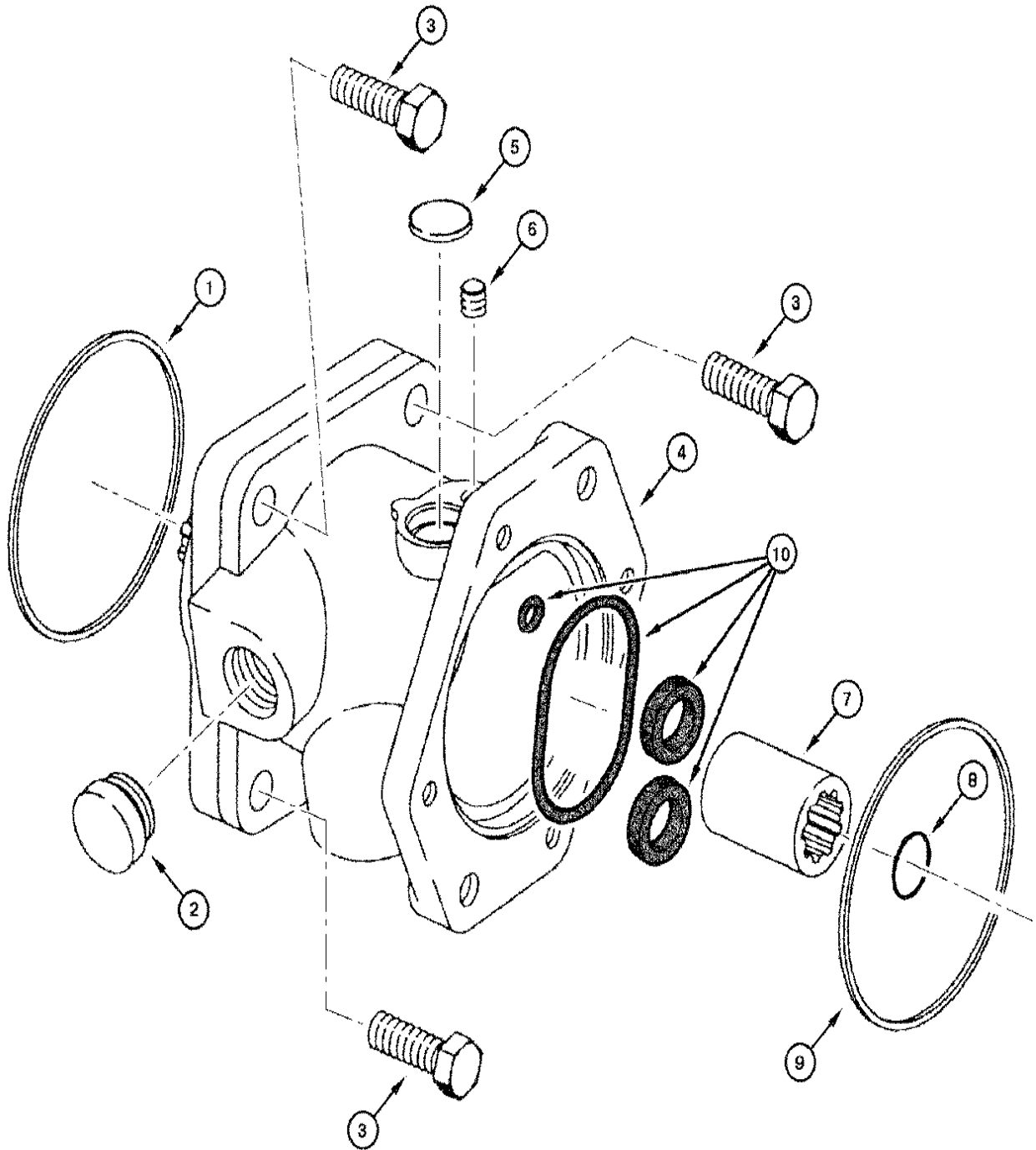
TRANSMISSION - 4TH SPEED AXLE



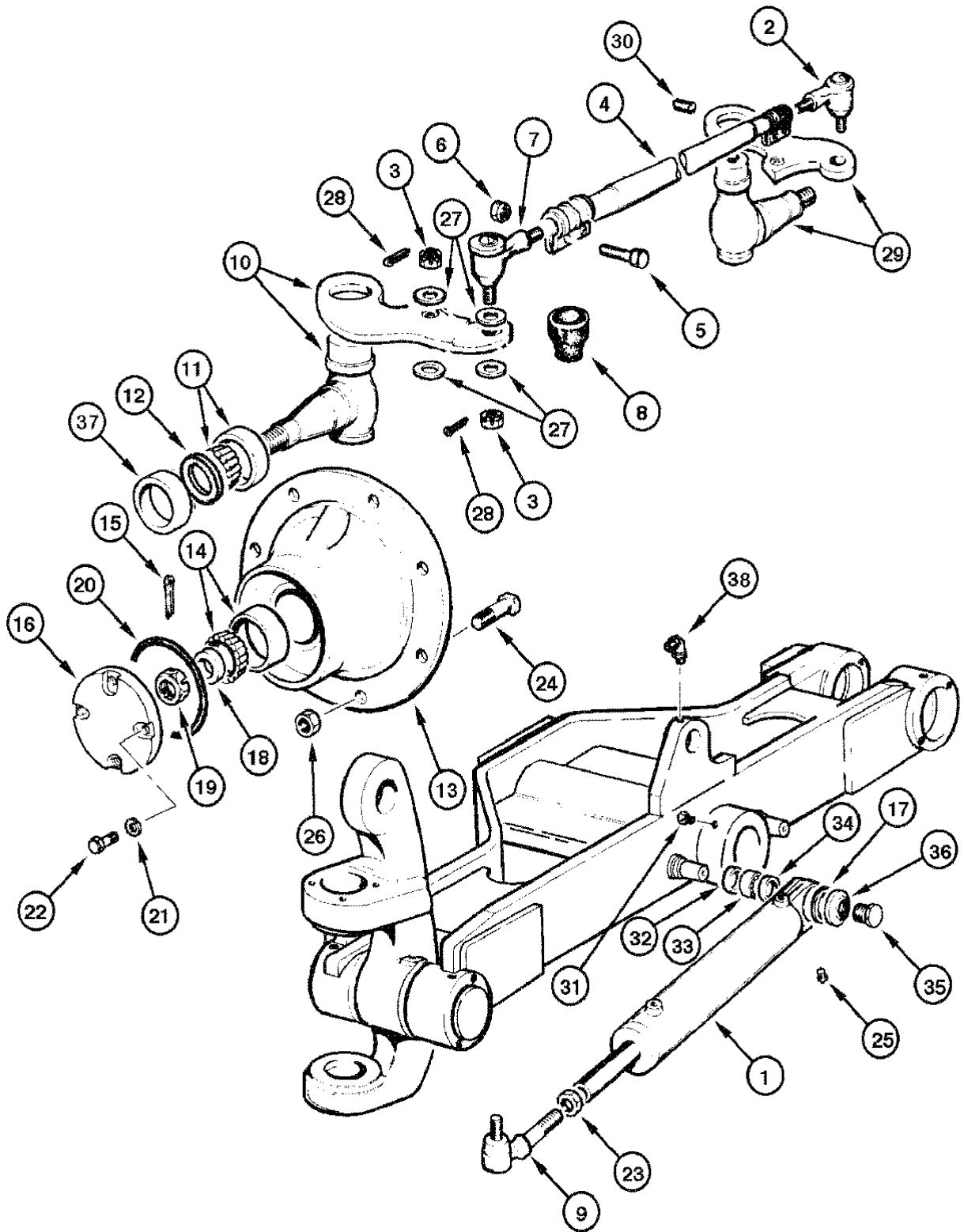
TRANSMISSION - MAIN HOUSING



TRANSMISSION - OIL PUMP



FRONT AXLE - WHEEL HUB AND STEERING BAR

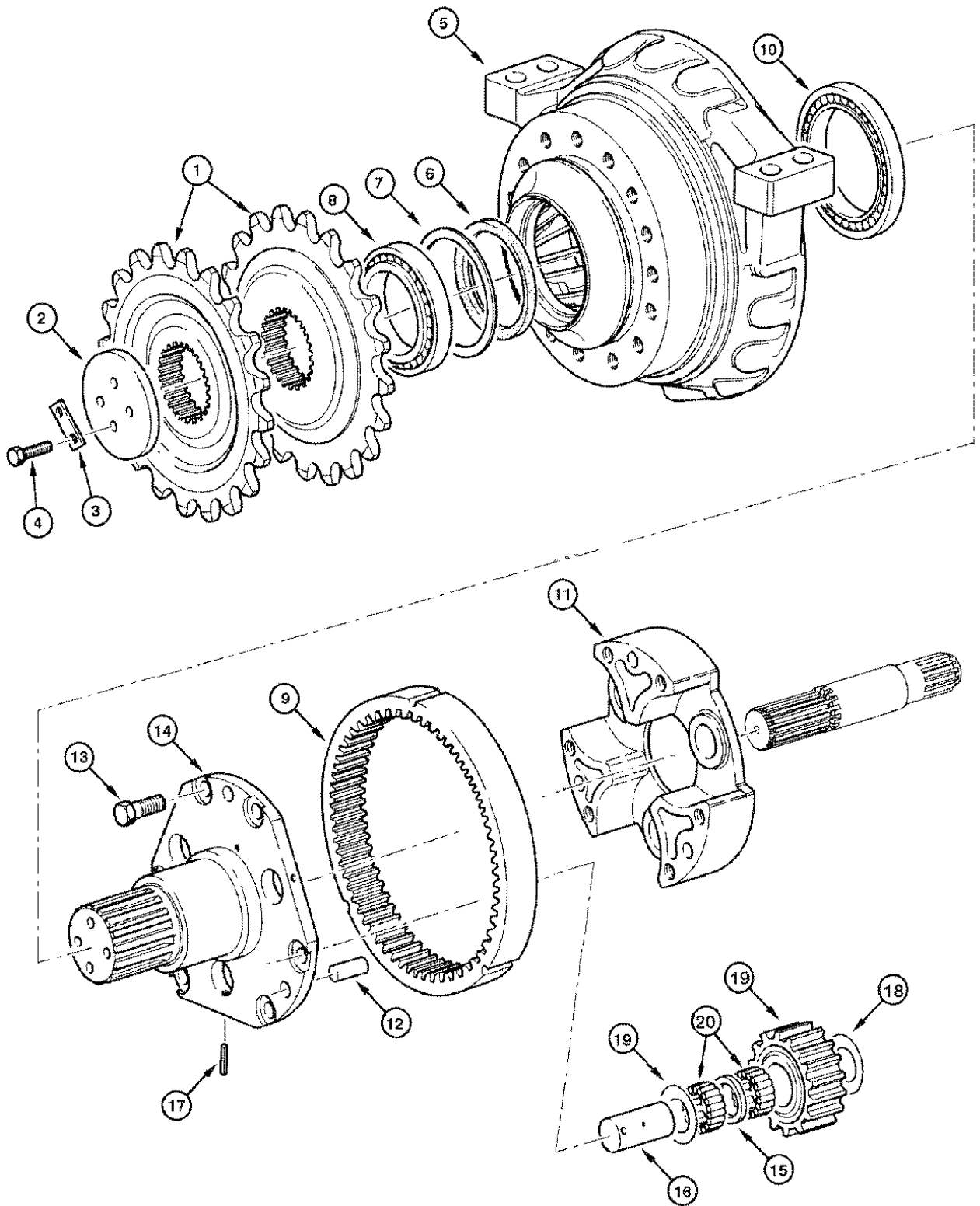


6-054

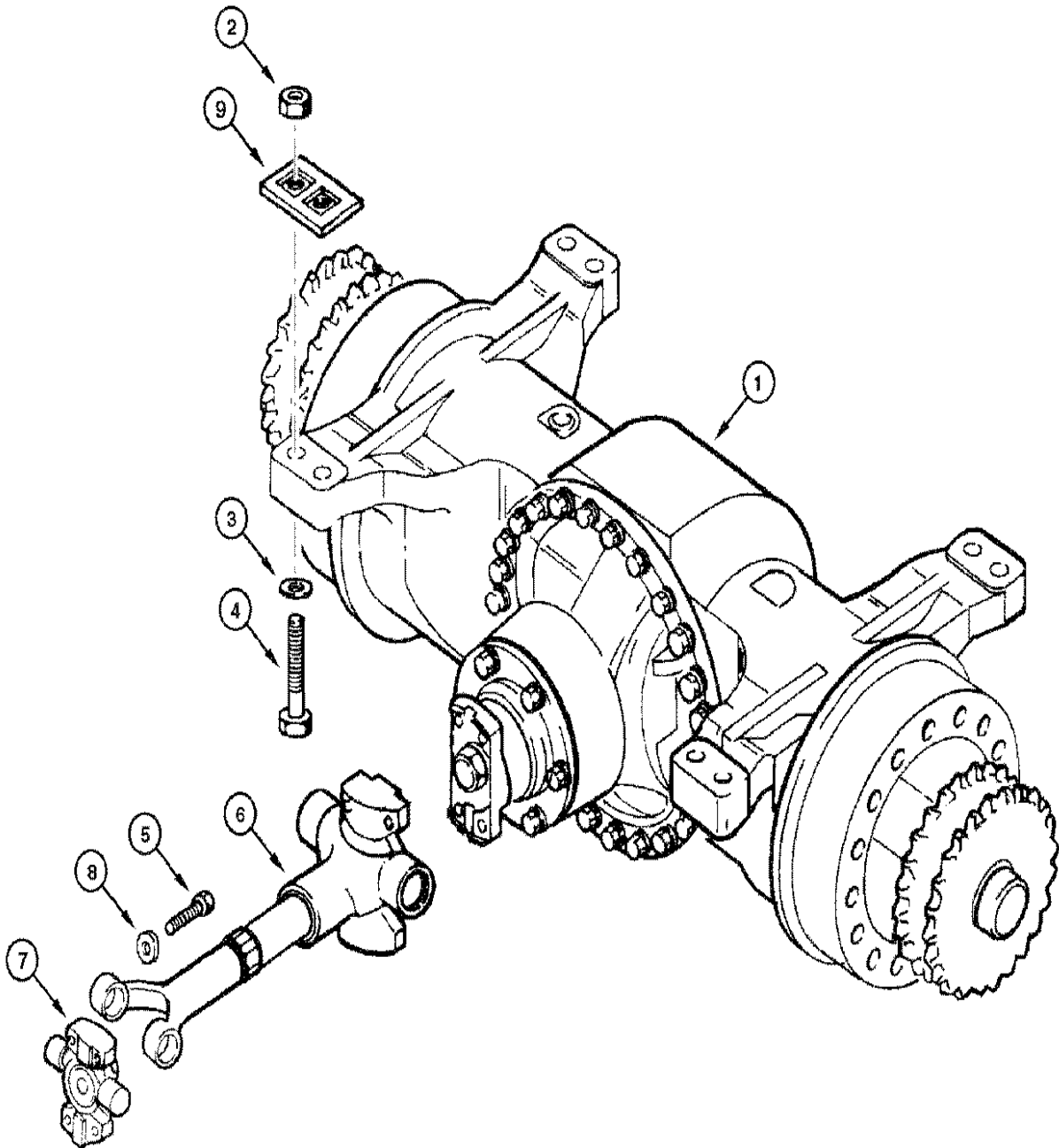
p2

1/2020

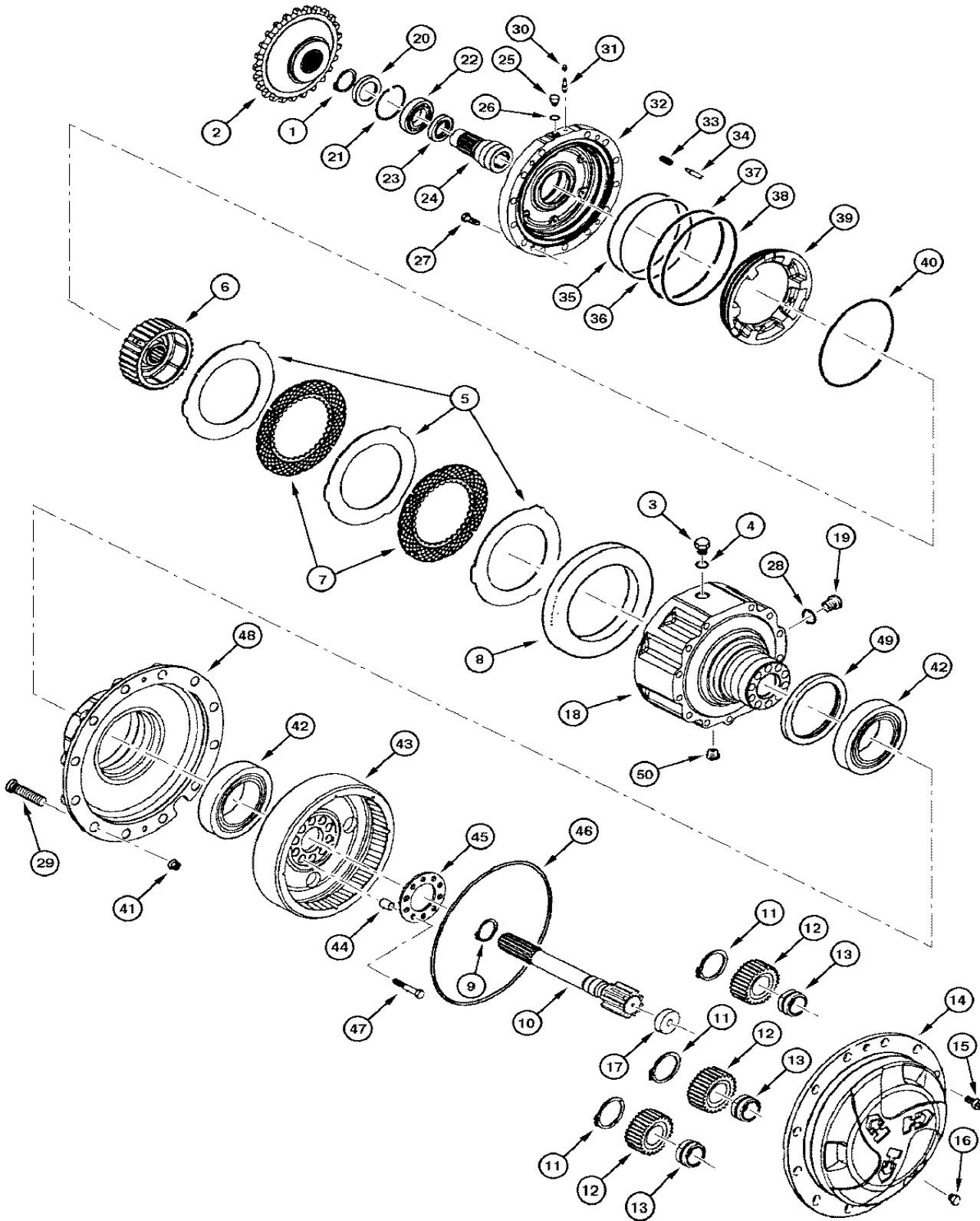
REAR AXLE GRAZIANO - END HOUSING ASSEMBLY



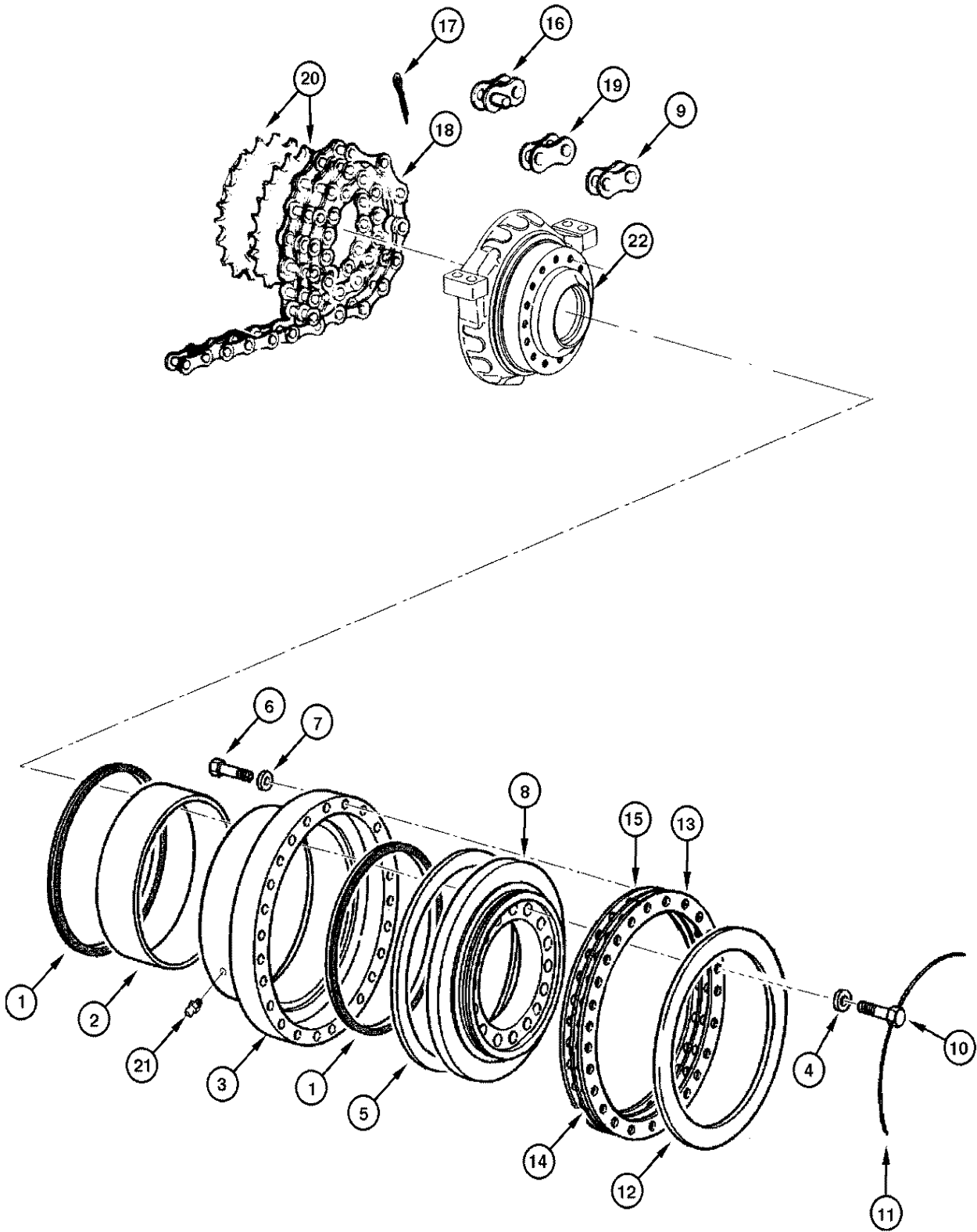
REAR AXLE CLARK - ASSEMBLY



REAR AXLE CLARK - PLANETARY REDUCTION AND SERVICE BRAKE



TANDEM - INTERMEDIATE BEARING (FOR GRAZIANO AXLE)



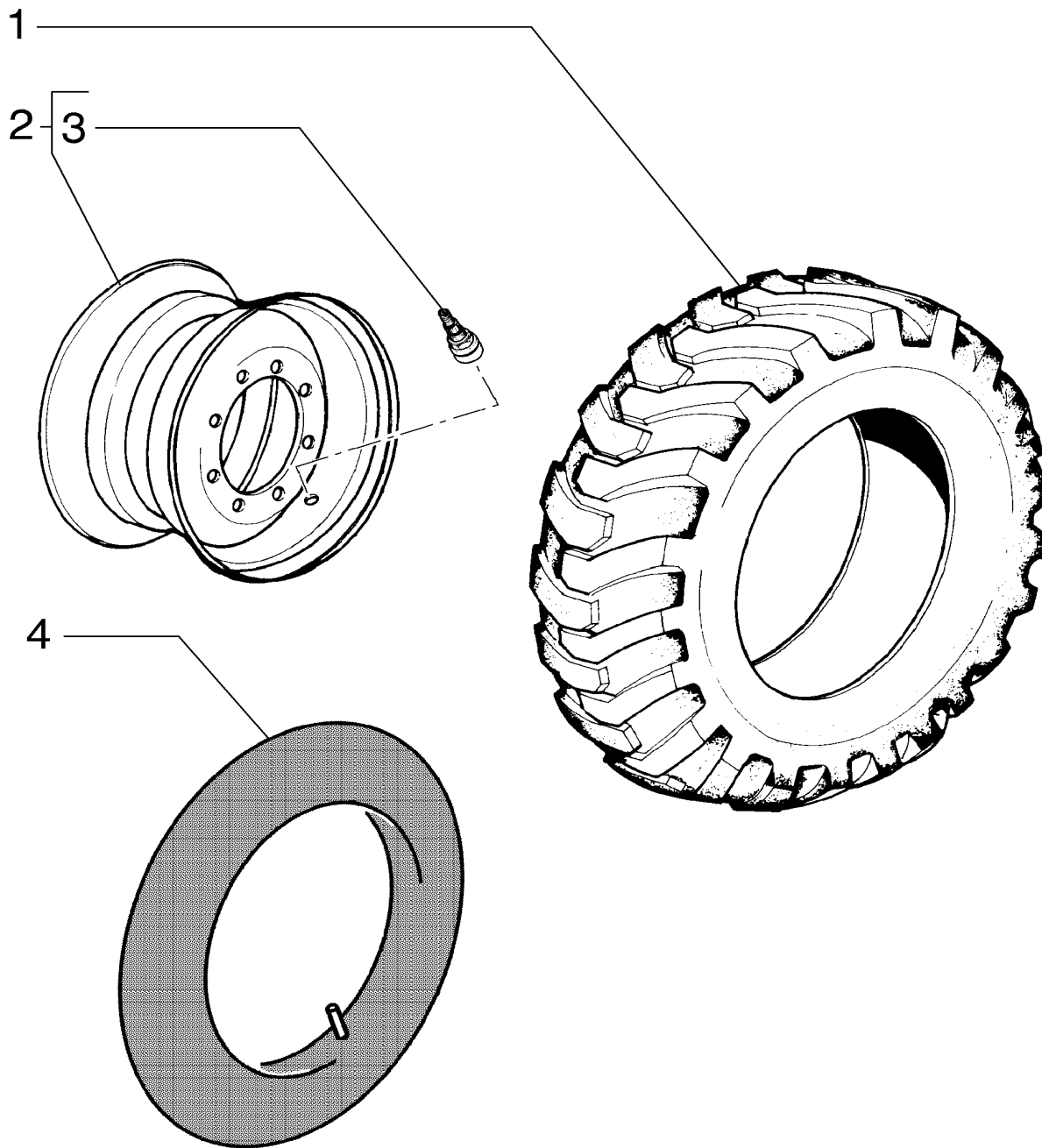
6.080

1

p1

1/2020

WHEELS AND TIRES - 9"

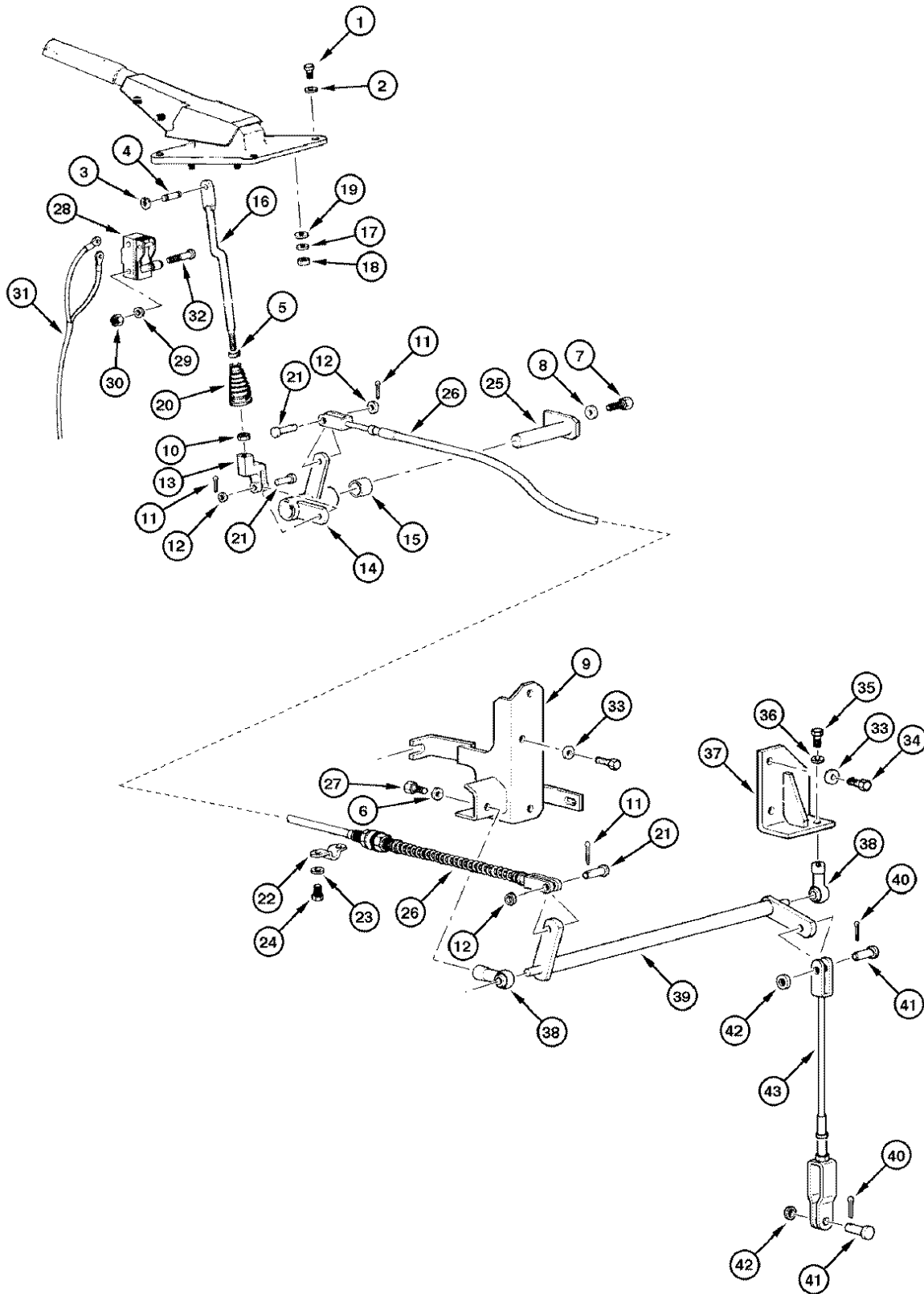


7-002

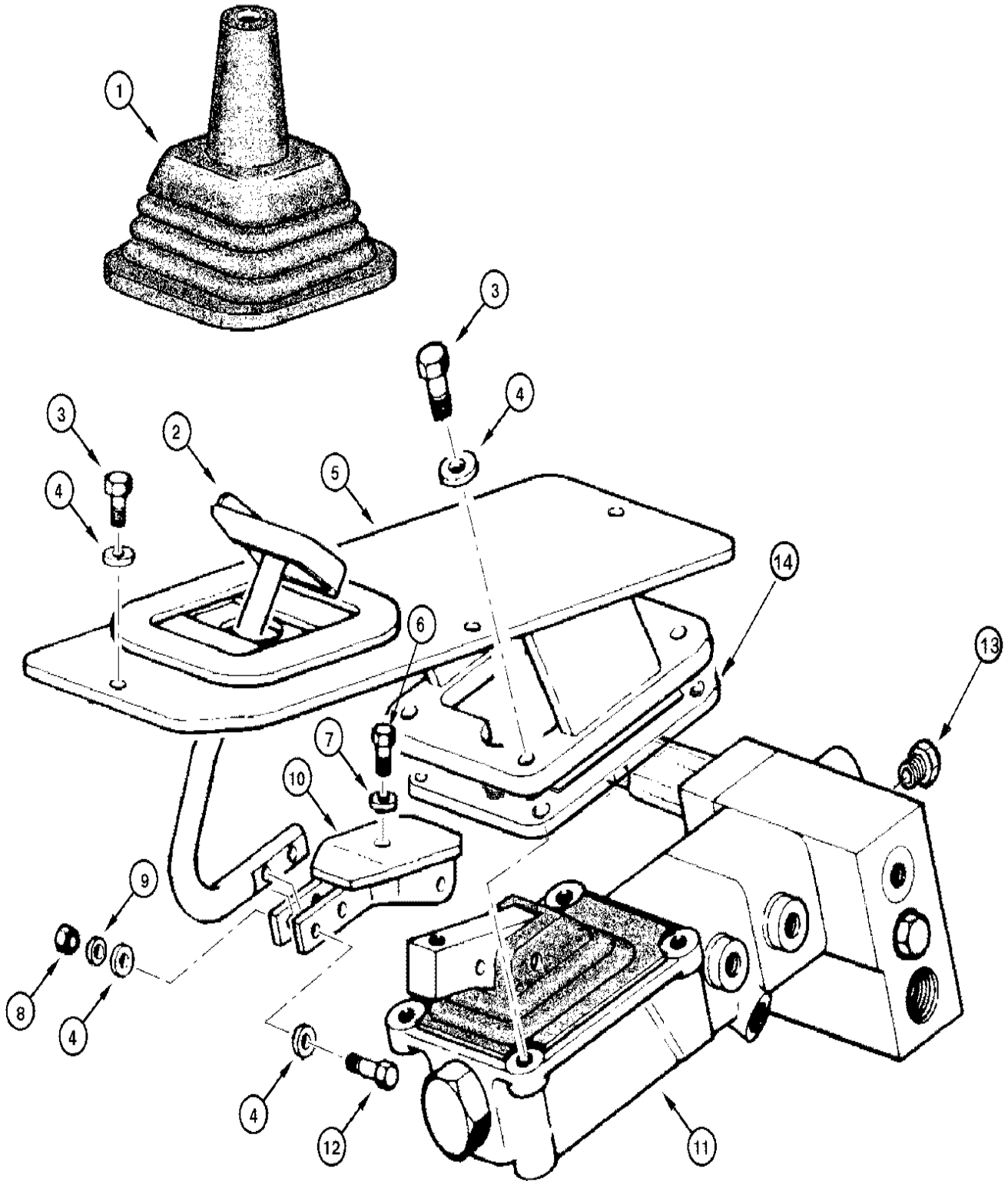
p1

1/2020

PARKING BRAKE ASSEMBLY



BRAKE PEDAL

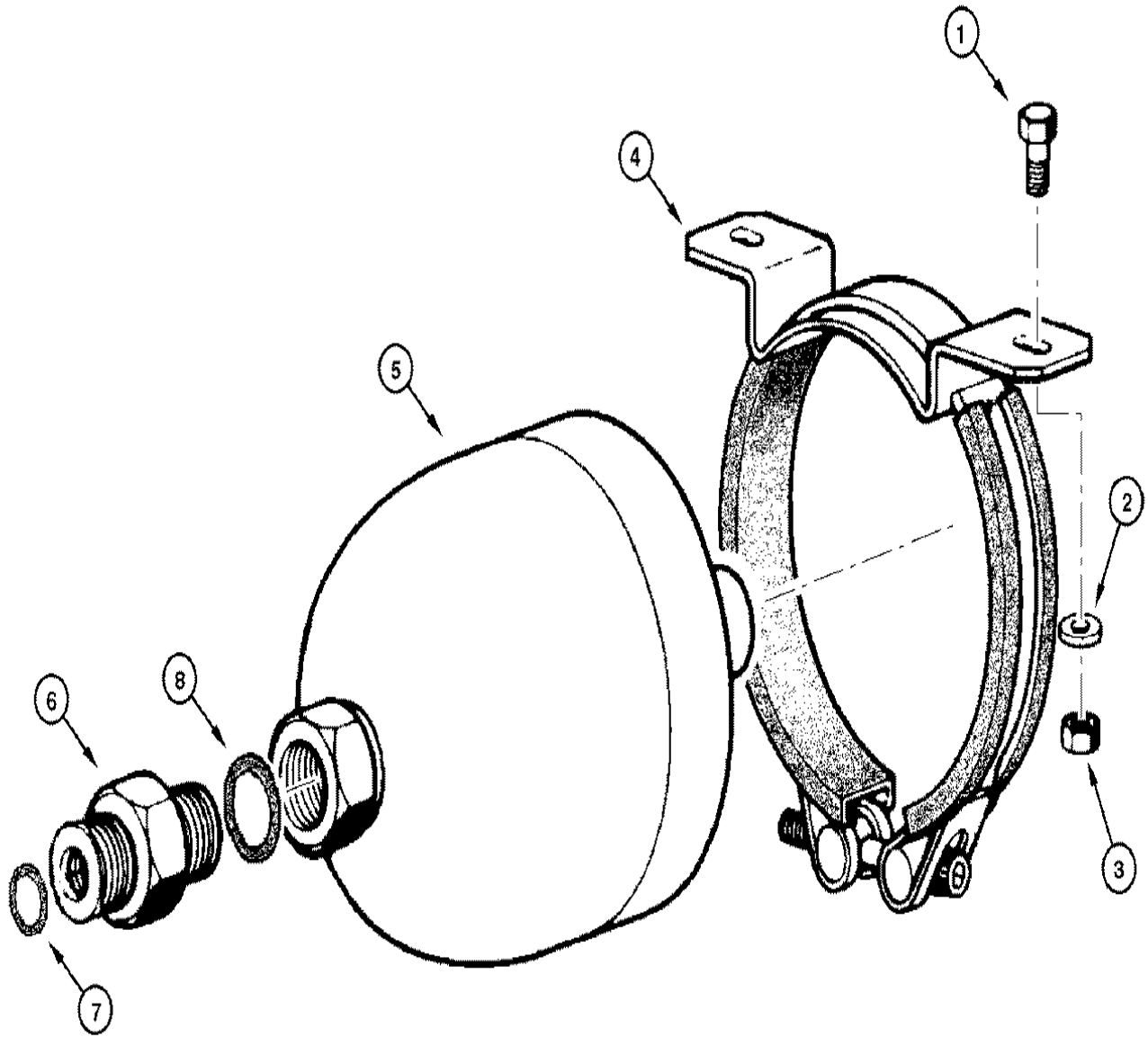


7-018

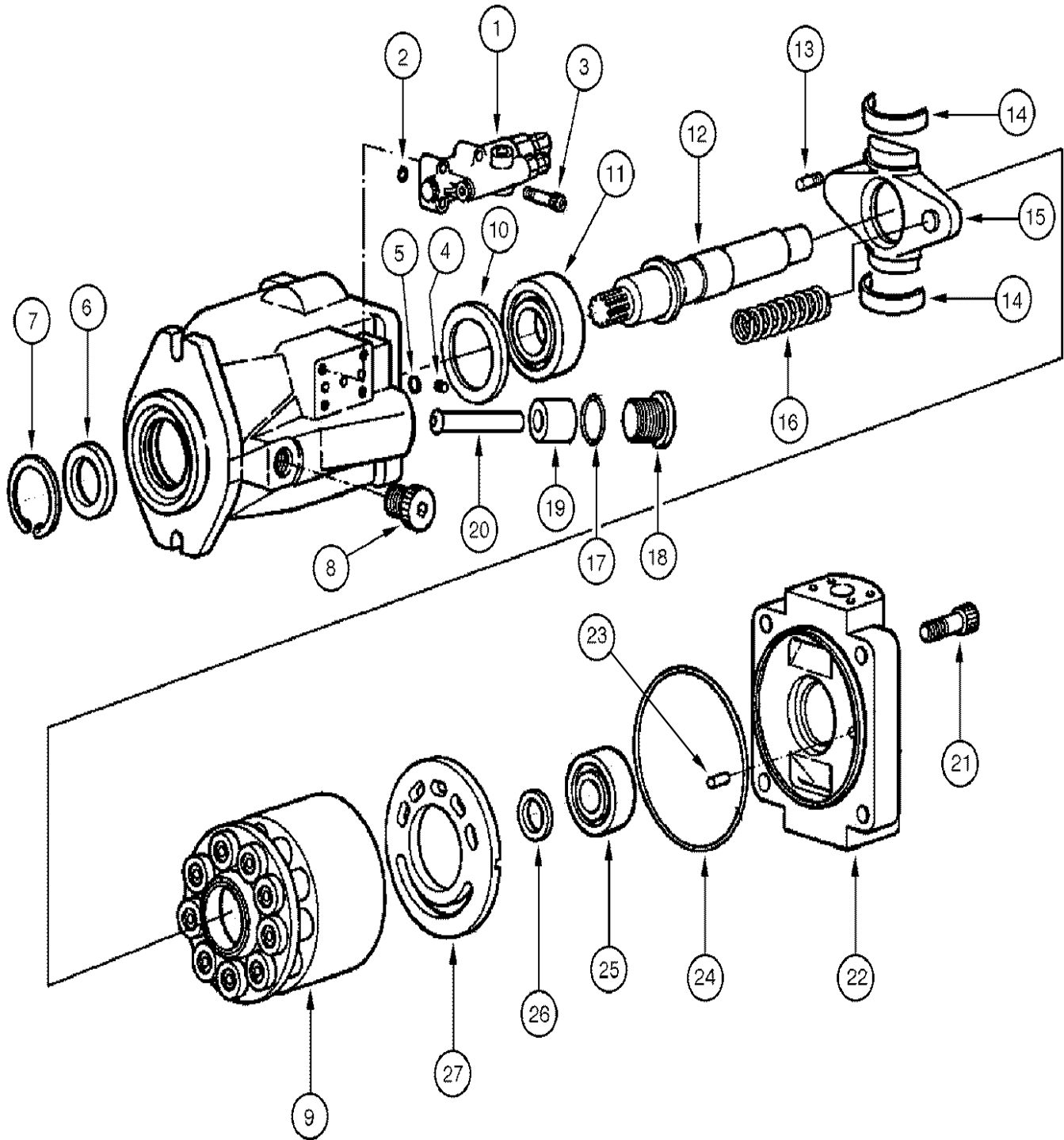
p1

1/2020

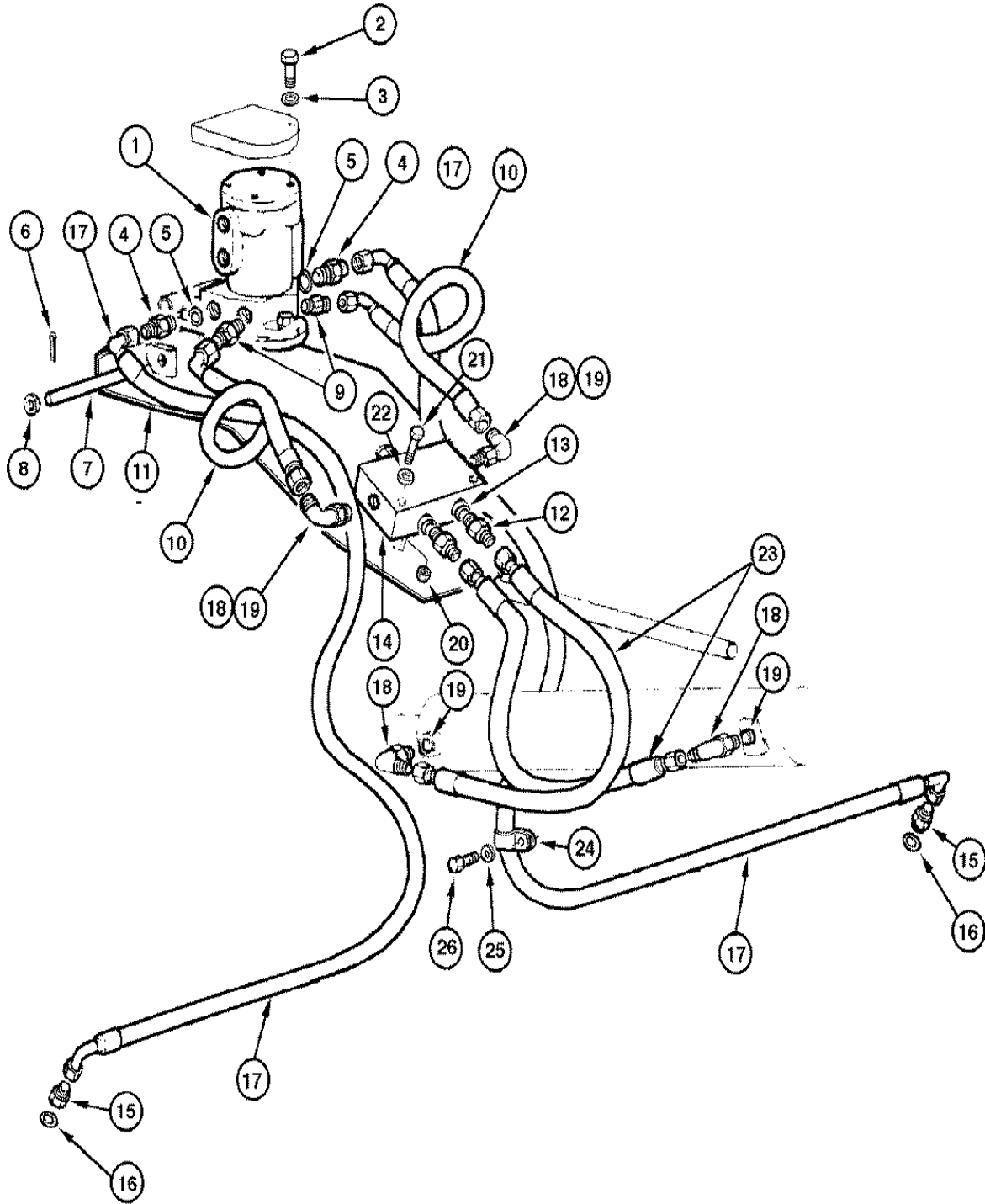
EMERGENCY BRAKE - ACCUMULATOR



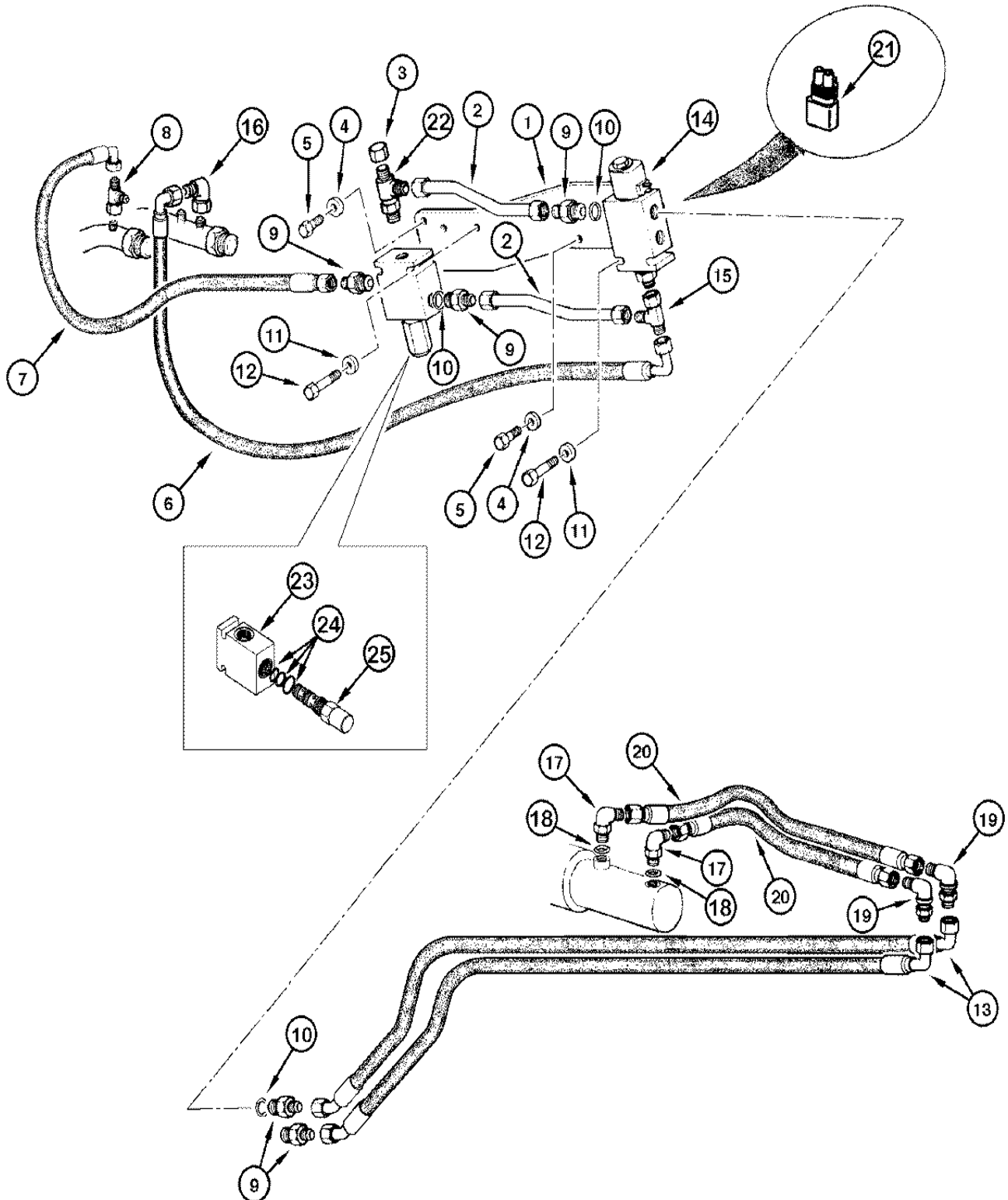
MAIN HYDRAULIC PUMP



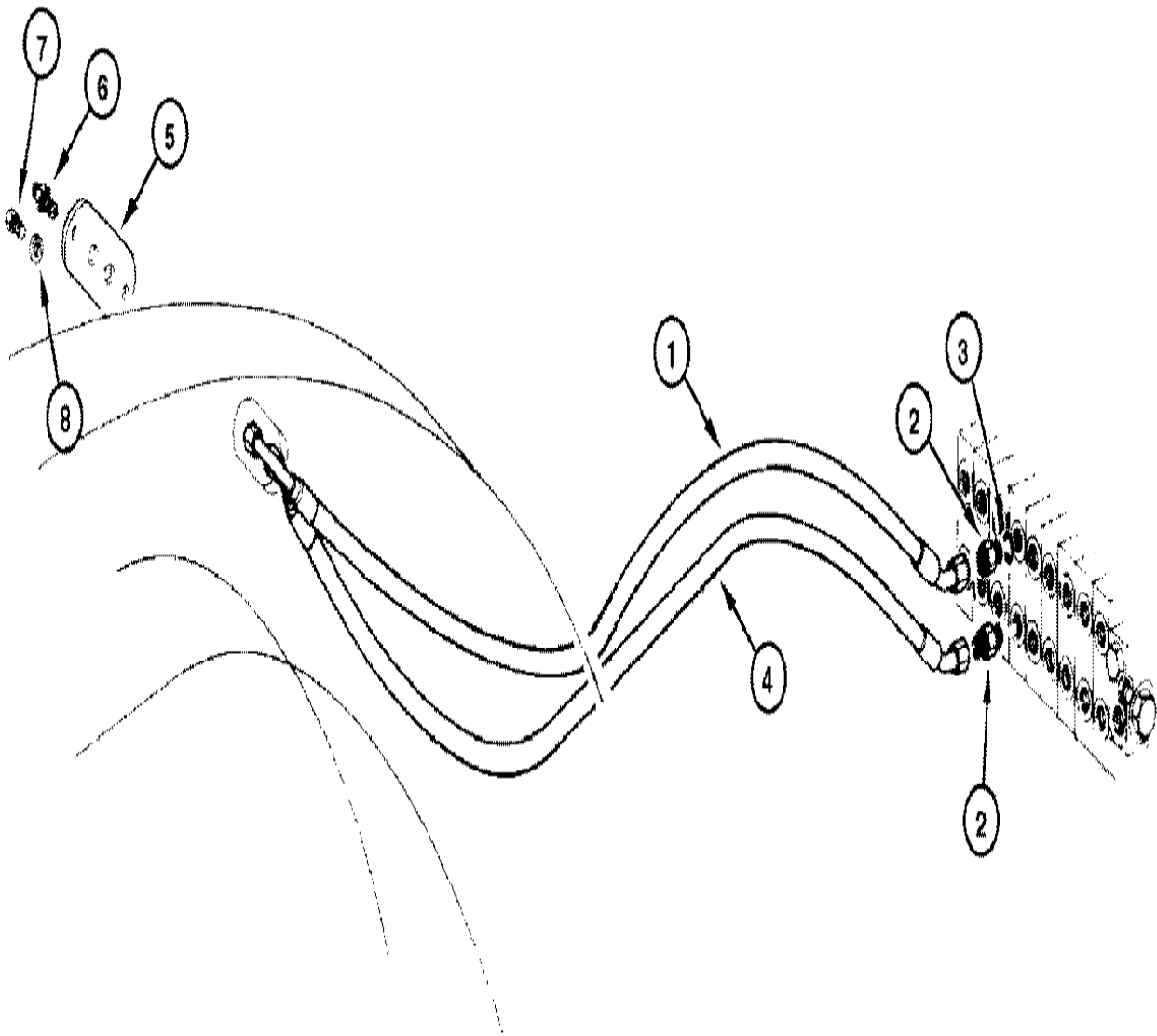
BLADE HYDRAULIC CIRCUIT - SIDE SHIFT AND TILT



BLADE HYDRAULIC CIRCUIT - LOCK (3 HOLES)



BLADE HYDRAULIC CIRCUIT - TILT



CLICK HERE TO **DOWNLOAD** THE COMPLETE MANUAL

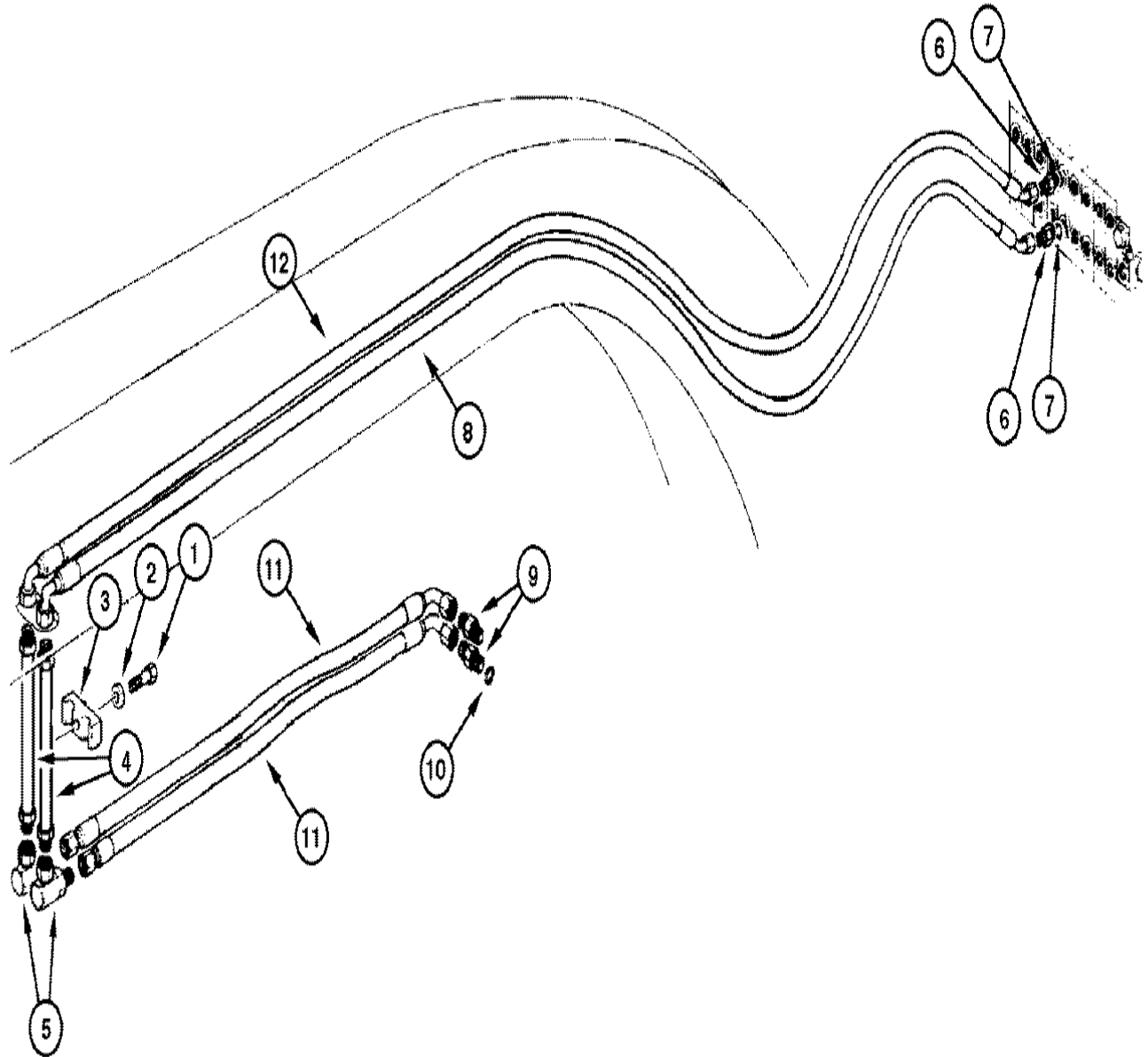
- Thank you very much for reading the preview of the manual.
- You can download the complete manual from: [www.heydownloads.com](http://www.heydownloads.com) by clicking the link below



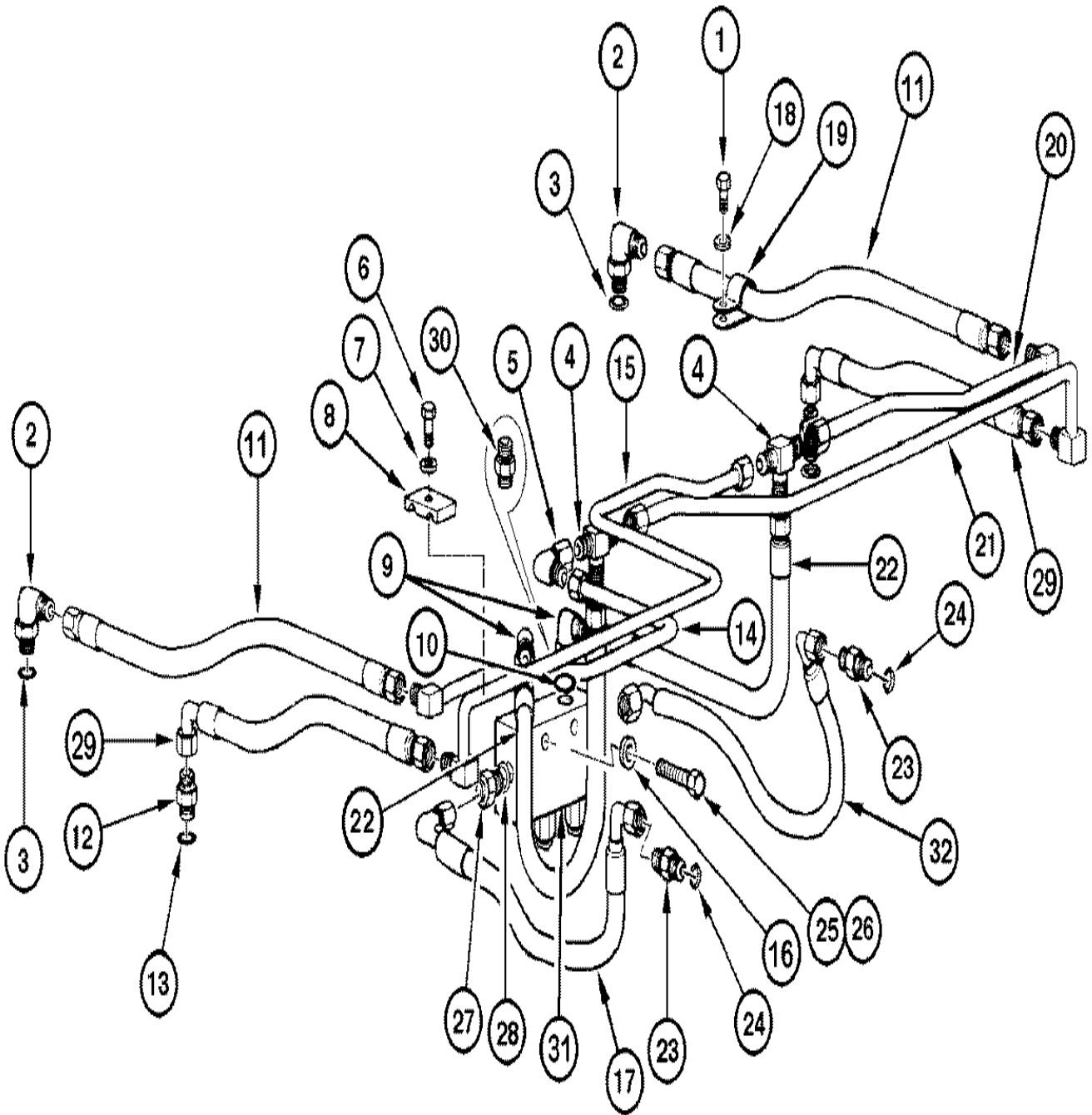
- Please note: If there is no response to CLICKING the link, please download this PDF first and then click on it.

CLICK HERE TO **DOWNLOAD** THE COMPLETE MANUAL

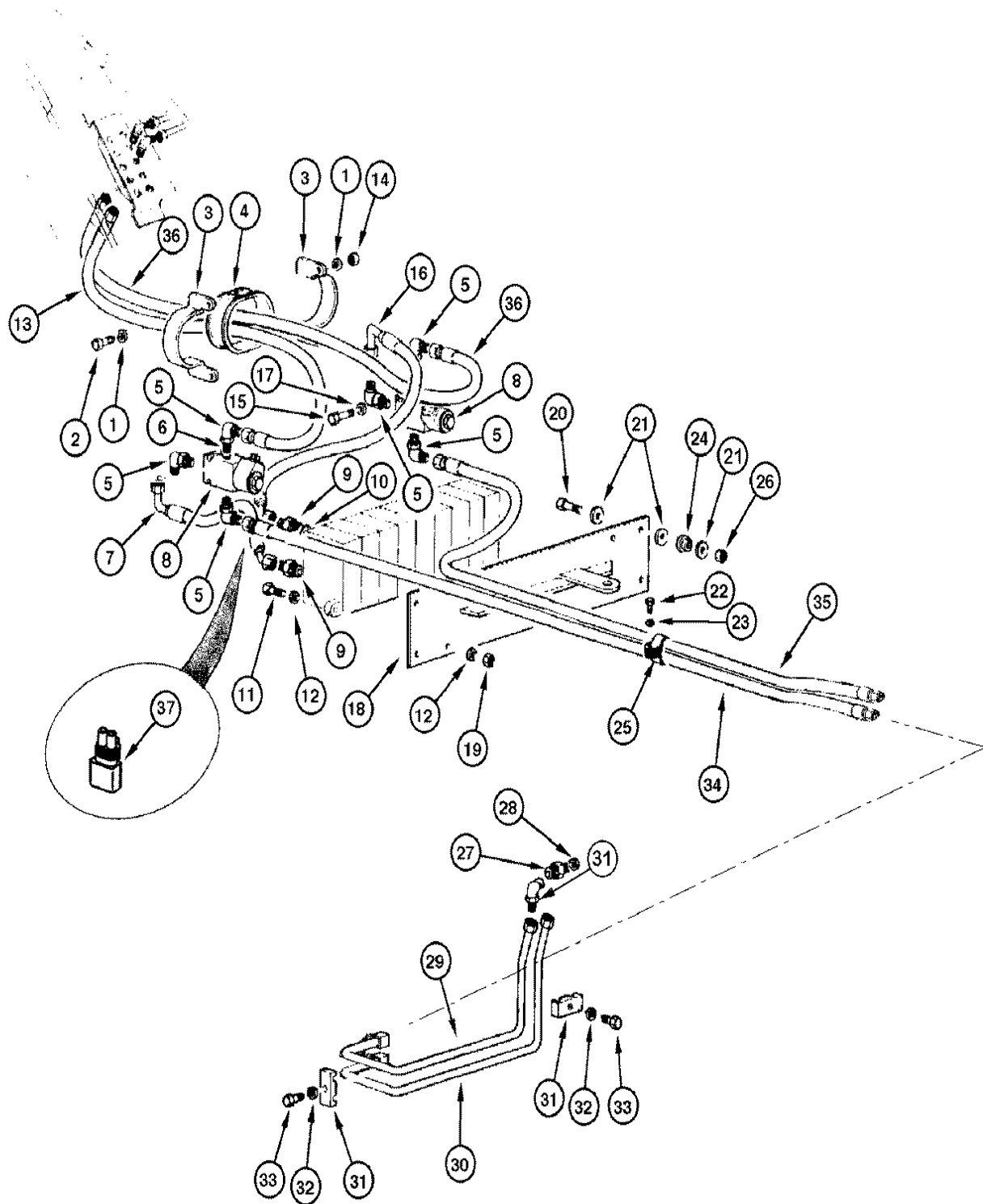
CIRCLE HYDRAULIC CIRCUIT - TURN-CIRCLE CIRCUIT



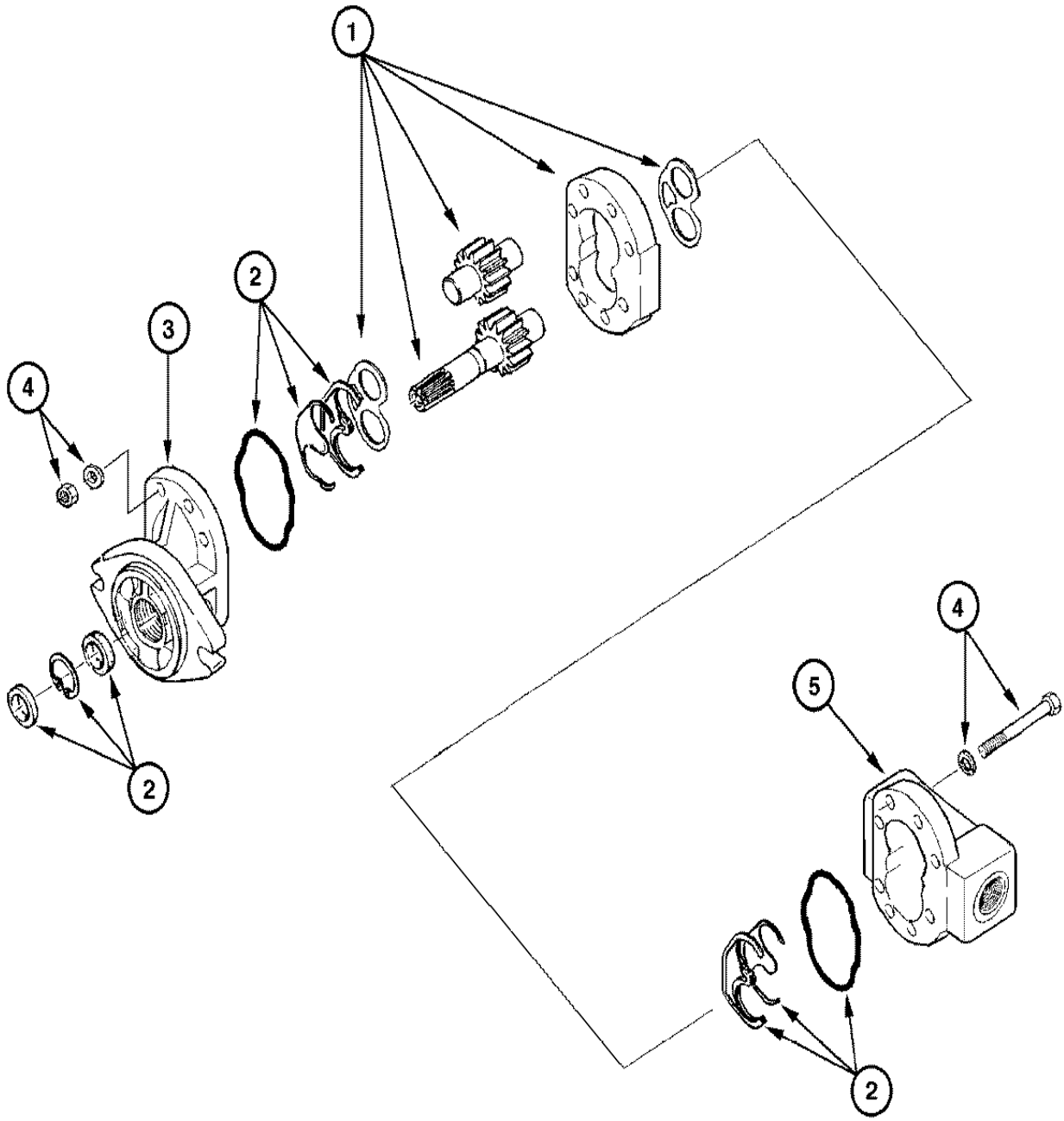
LINK HYDRAULIC CIRCUIT



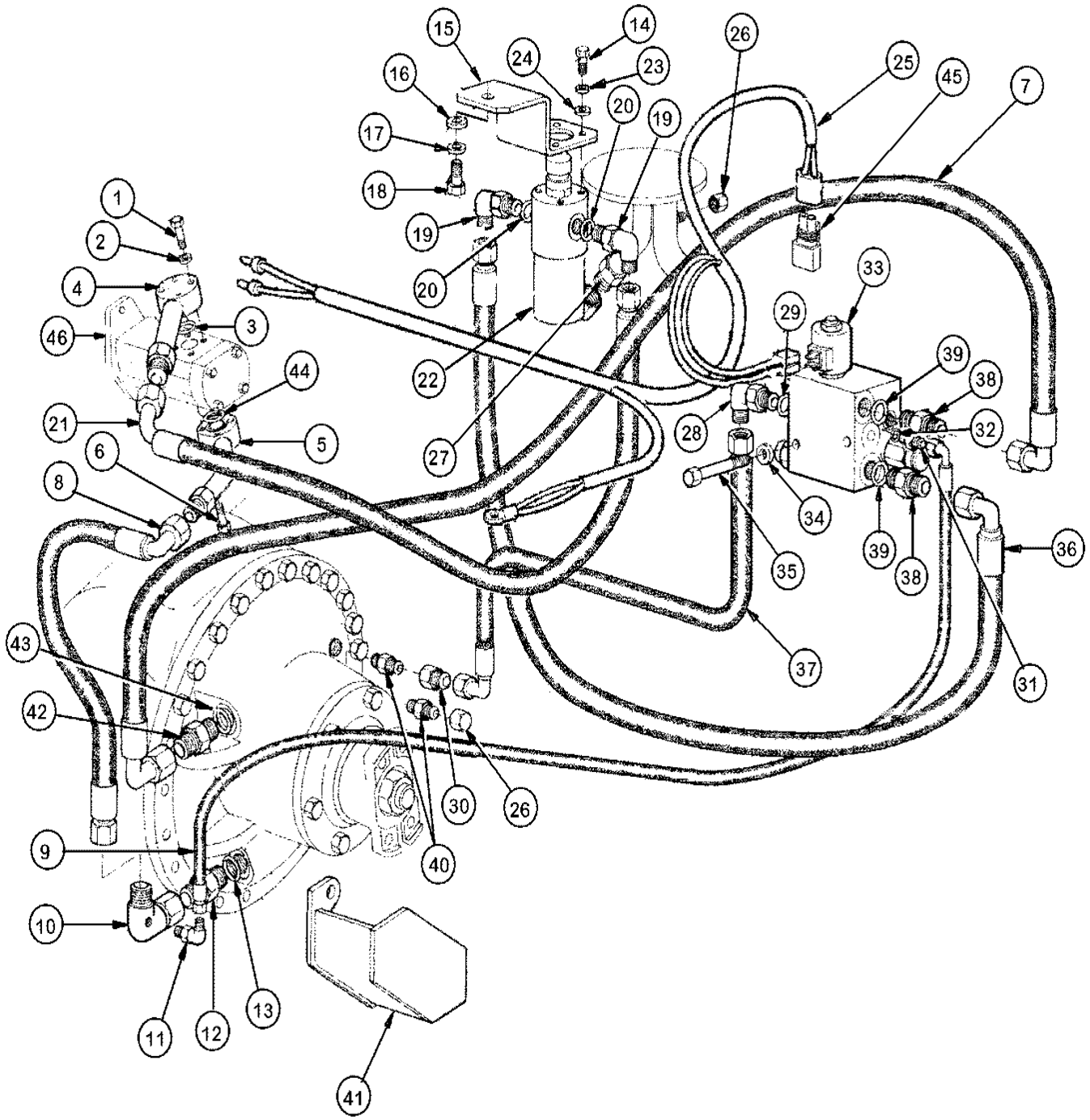
SCARIFIER AND RIPPER HYDRAULIC CIRCUIT



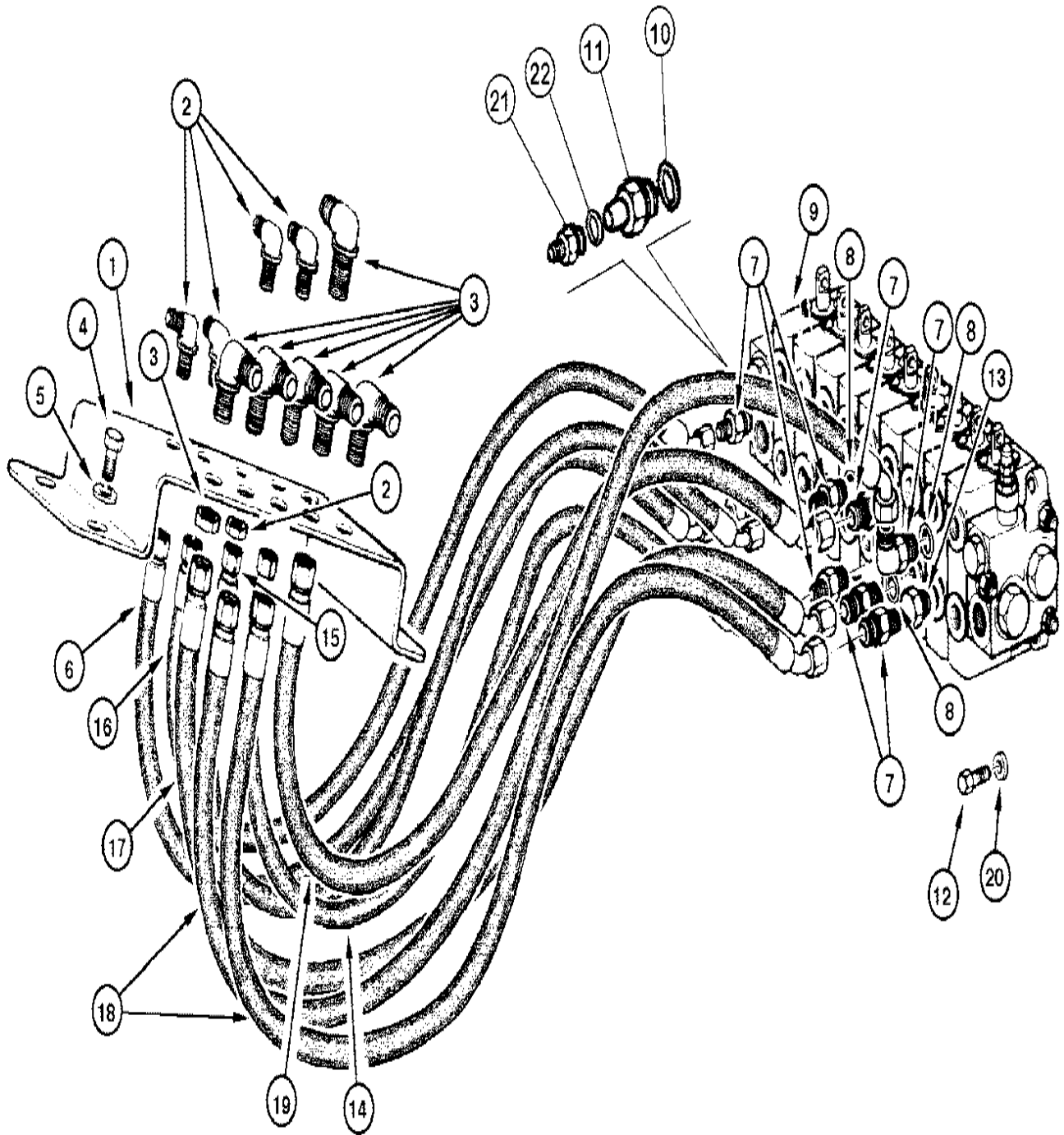
ENGINE COOLING - FAN HYDRAULIC PUMP



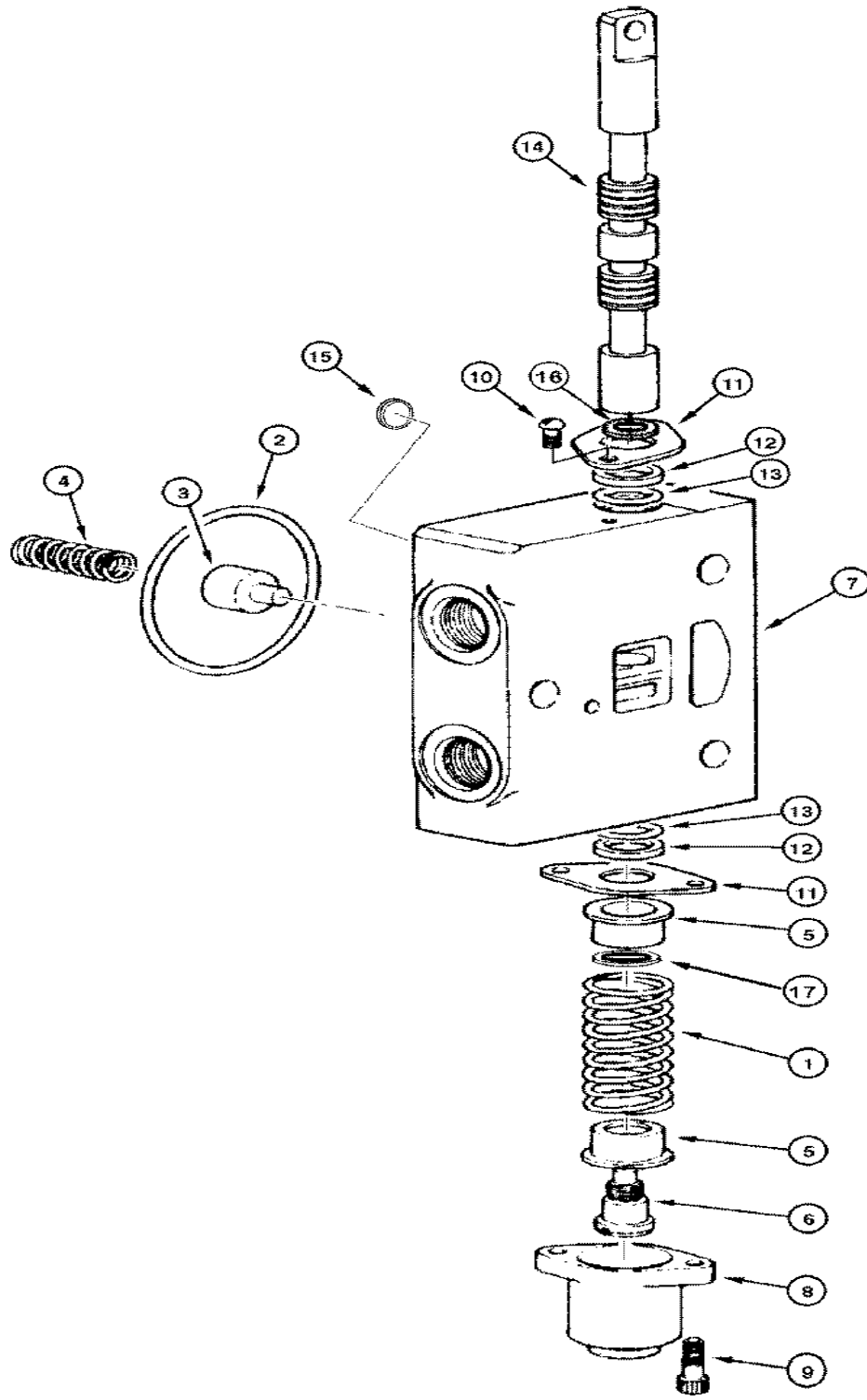
DIFFERENTIAL LOCK - CIRCUIT



DISTRIBUTOR - HYDRAULIC CIRCUIT

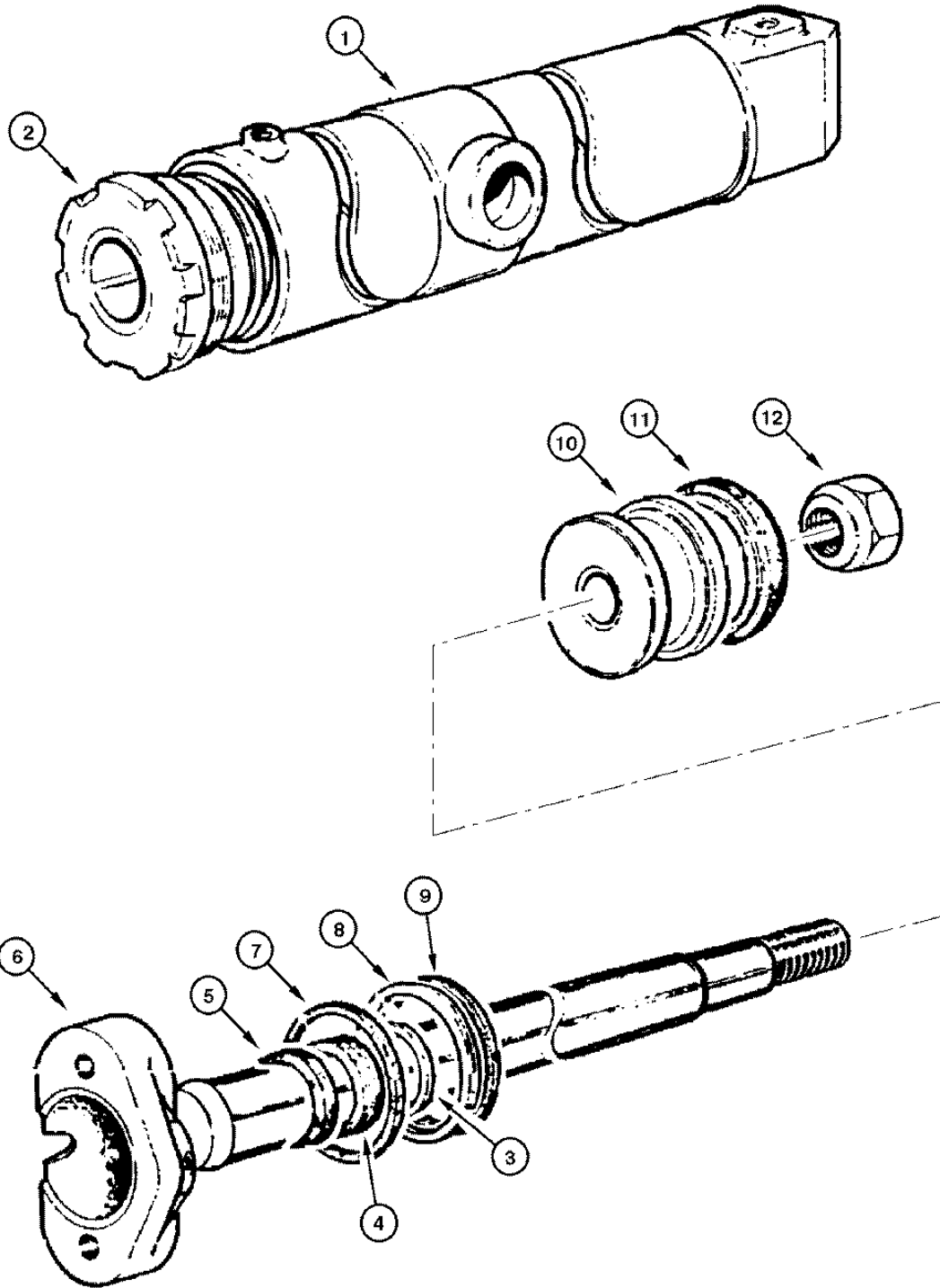


DISTRIBUTOR - BLADE SIDE SHIFT VALVE

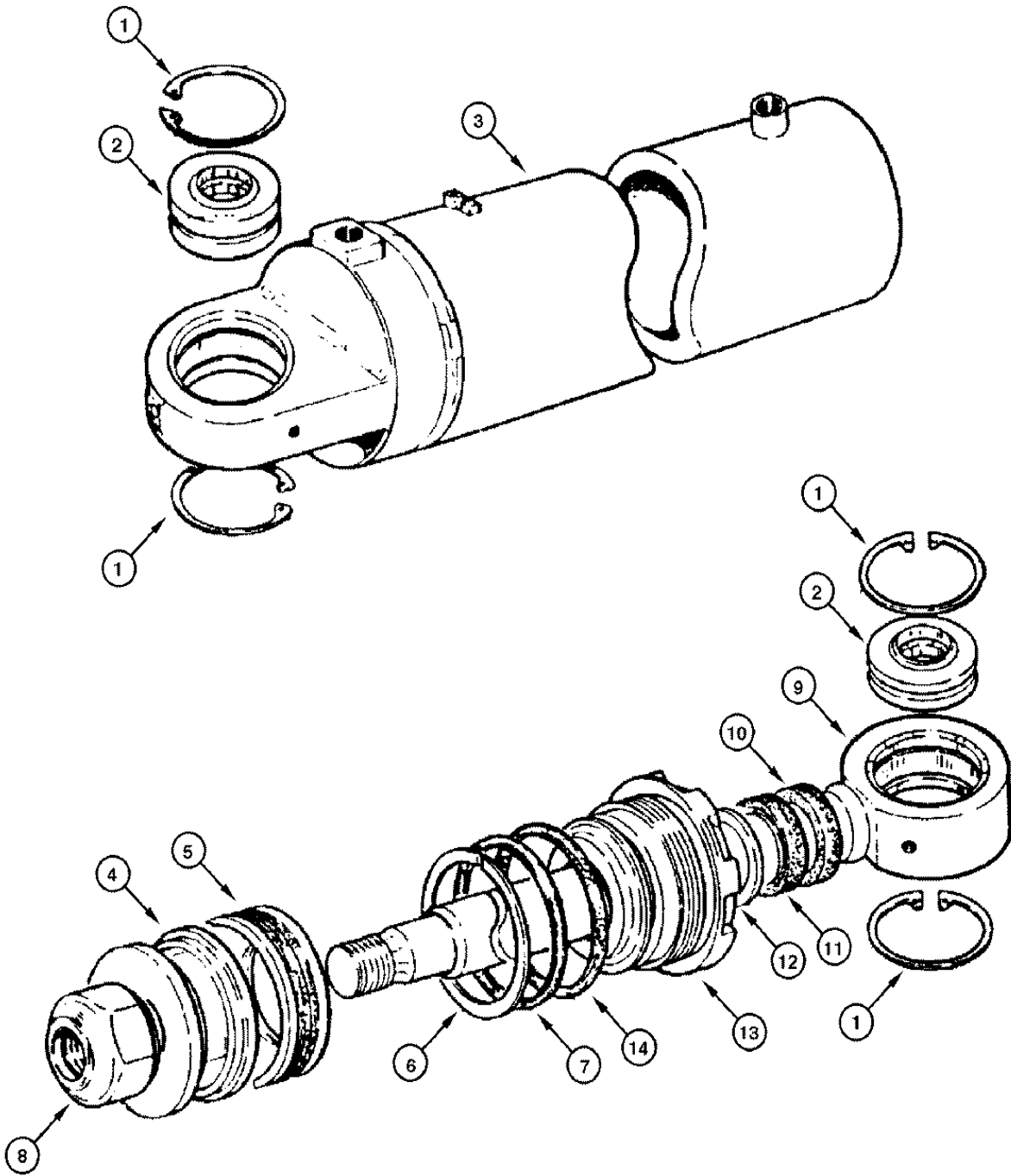




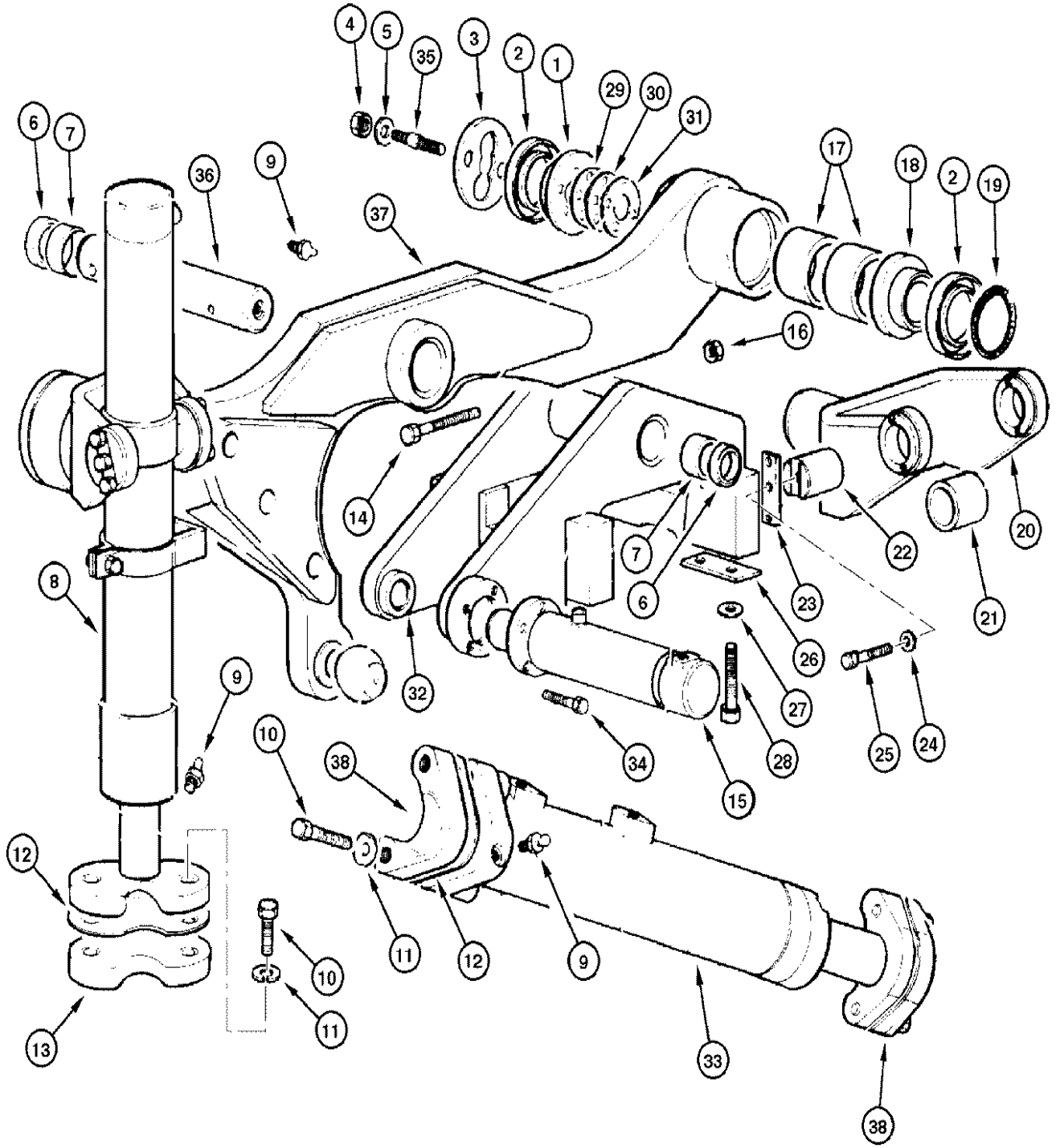
CYLINDER - TURN-CIRCLE



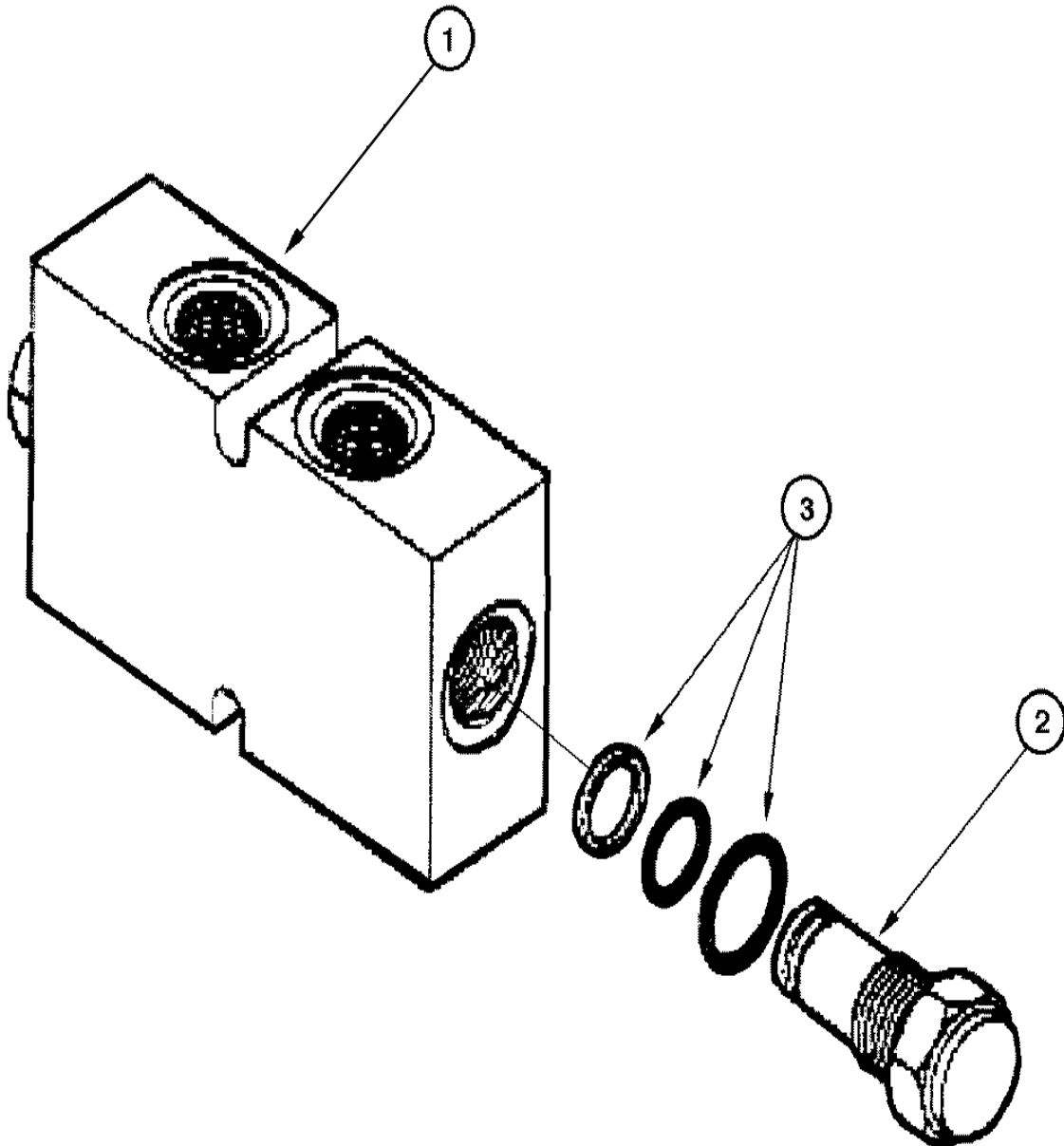
CYLINDER - LINK LH/RH



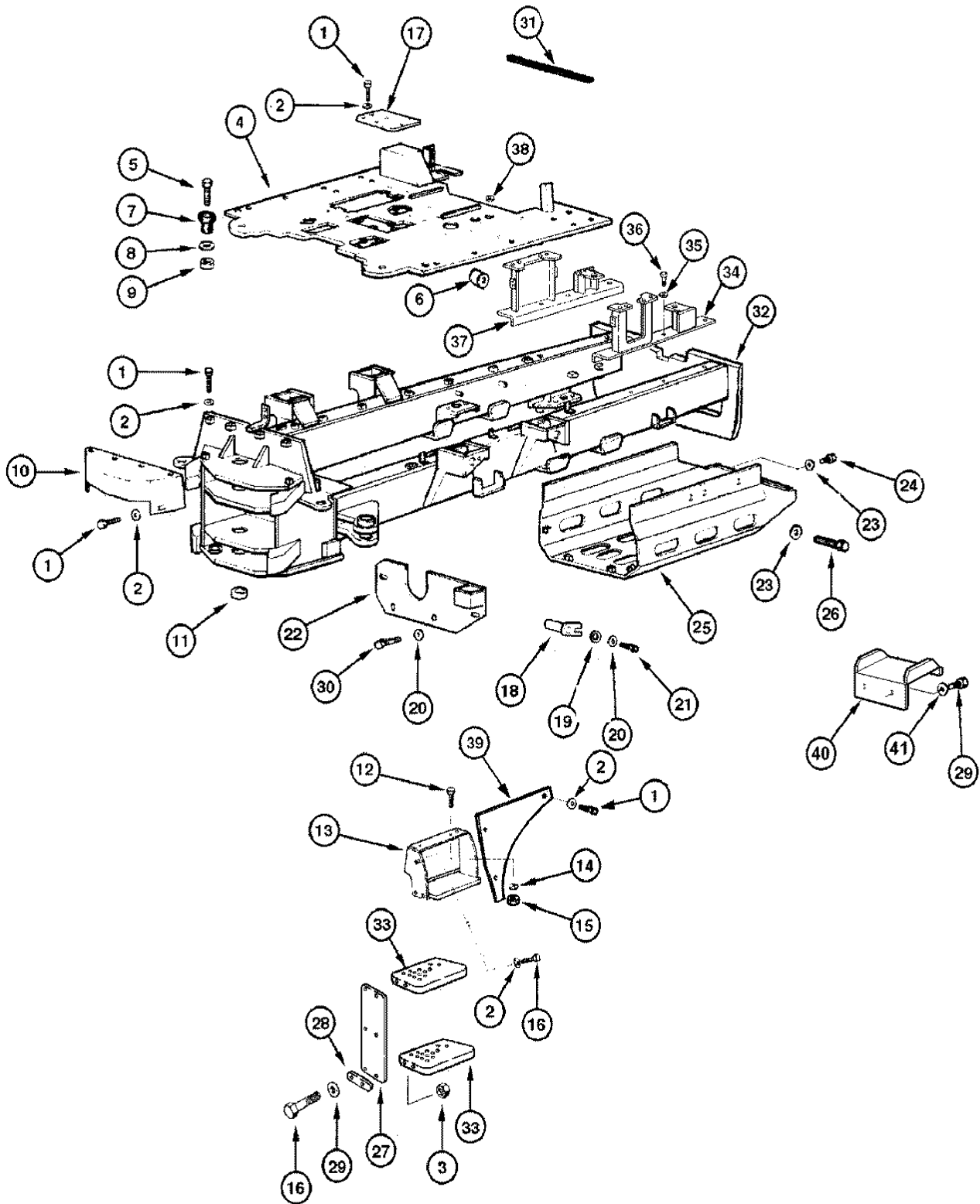
CYLINDER - SADDLE AND ACTUATING (3 HOLES)



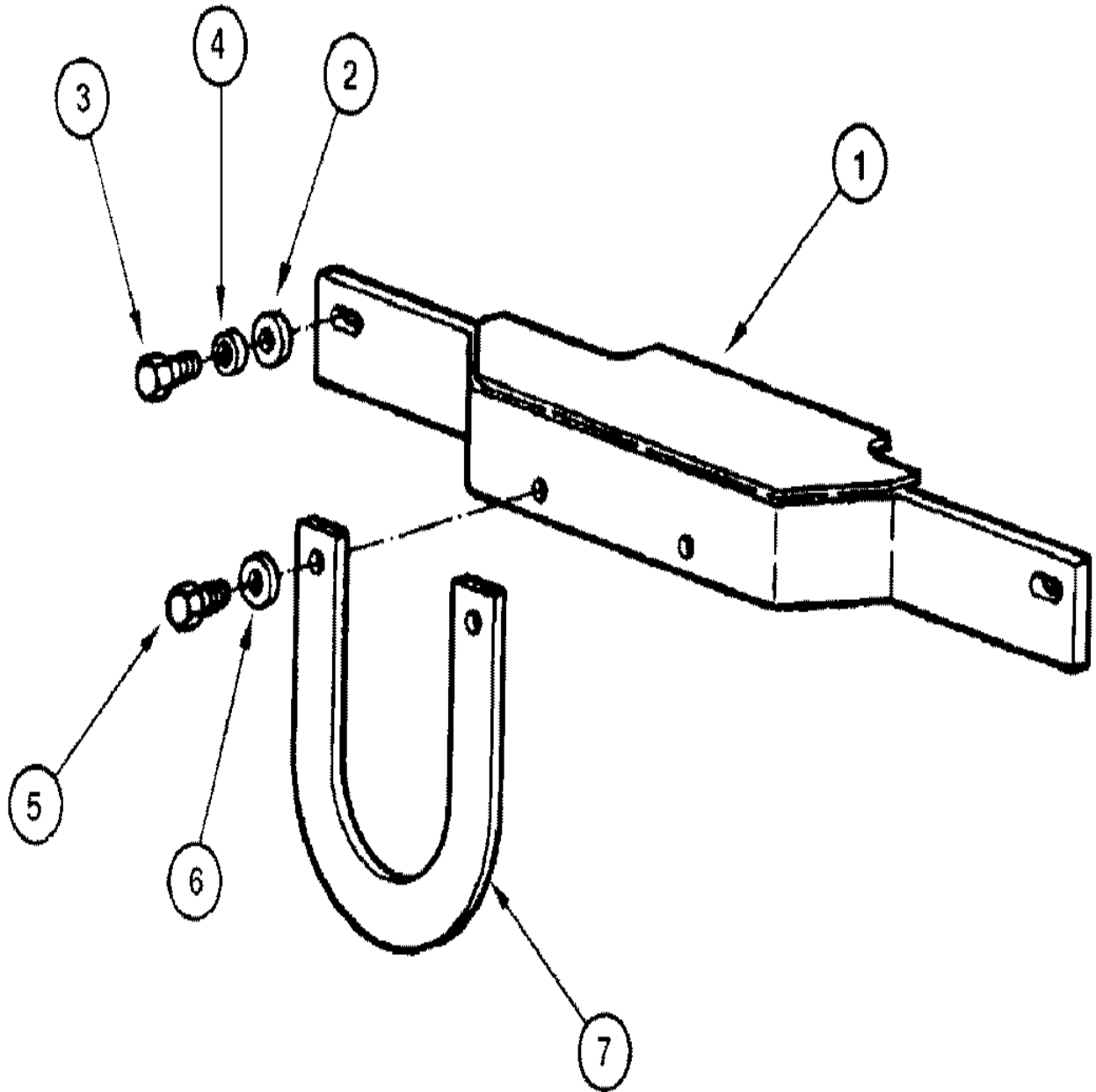
VALVE RETAINER ASSEMBLY



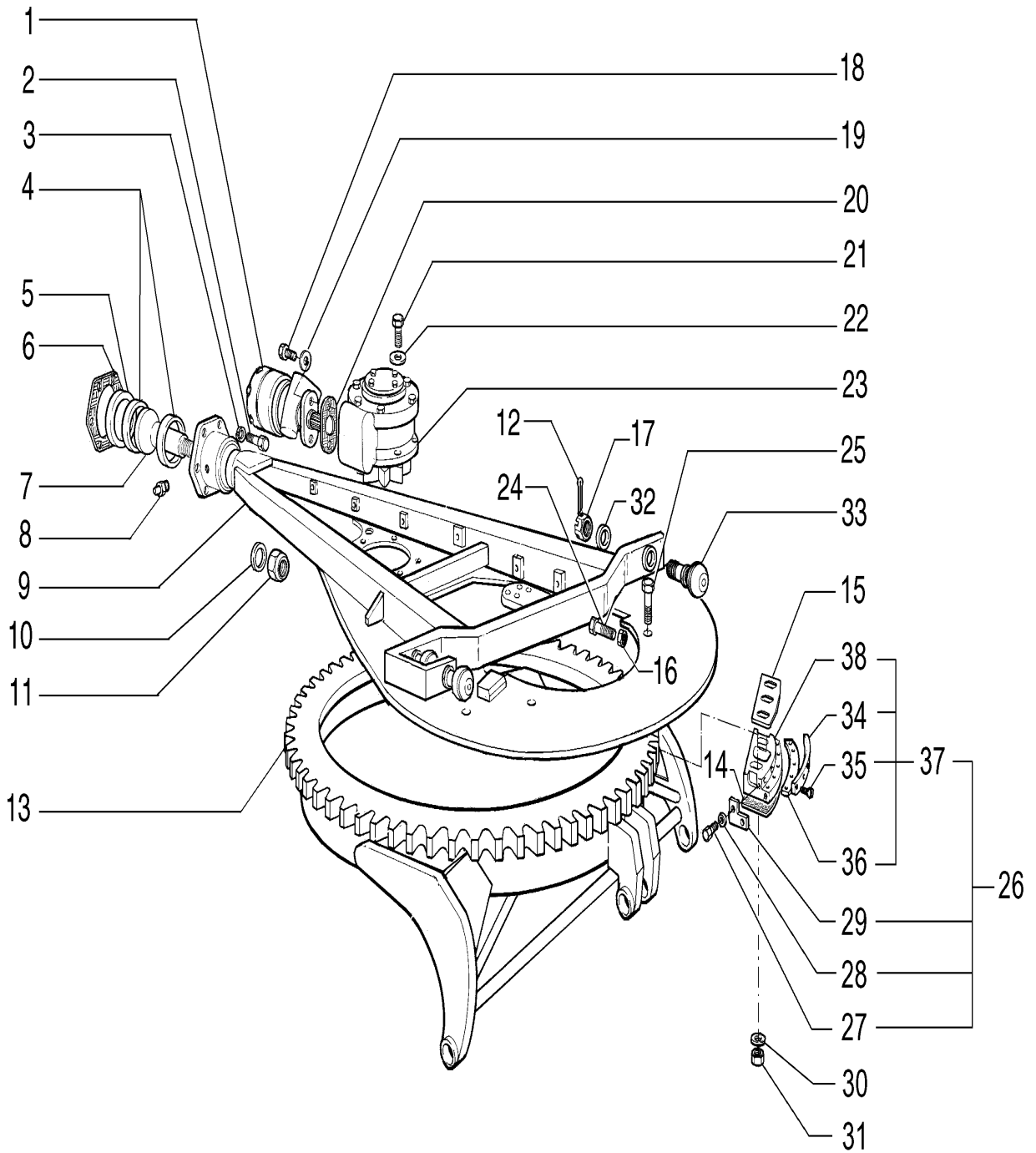
REAR CHASSIS



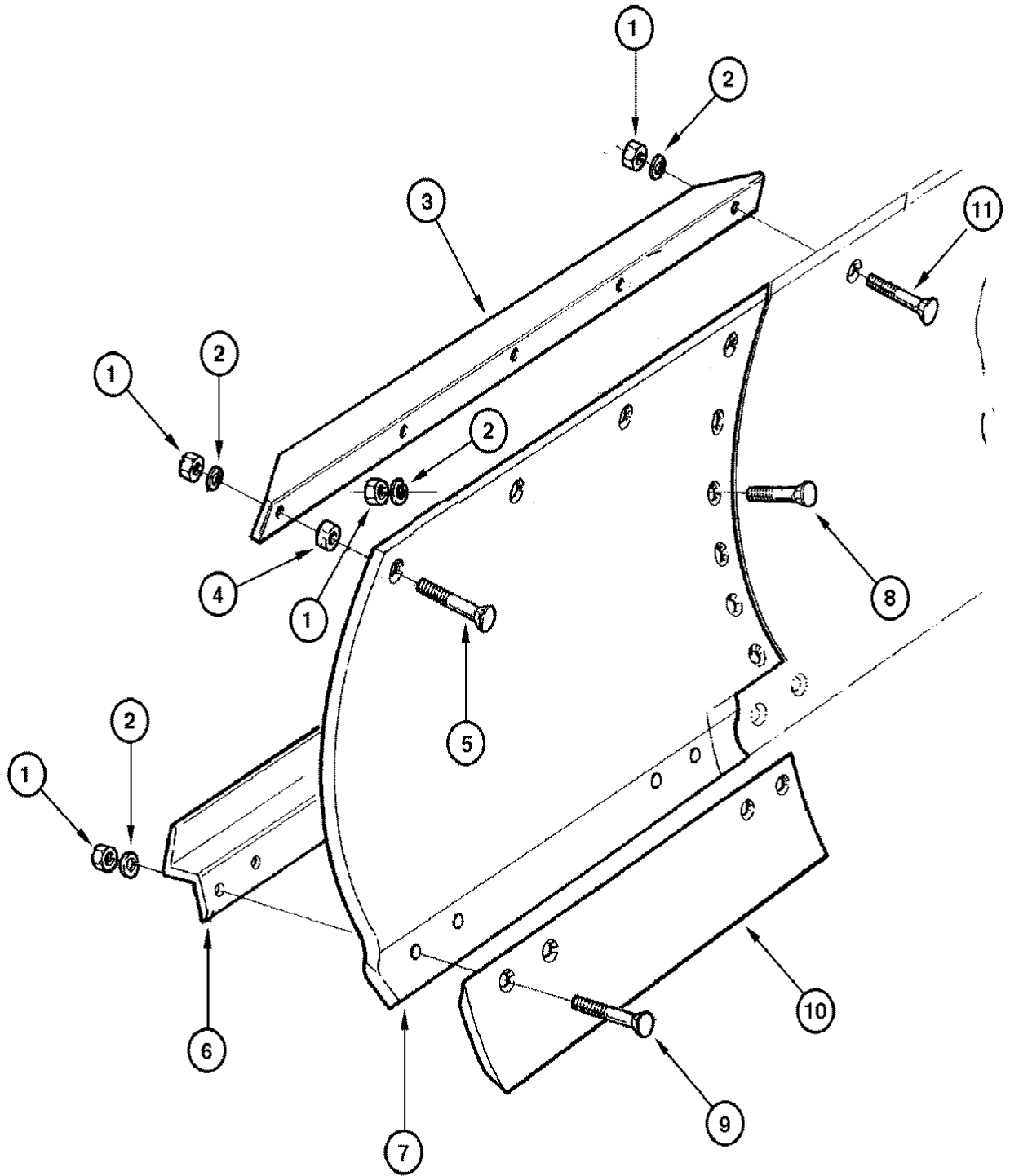
PROPELLER SHAFT GUARD ASSEMBLY



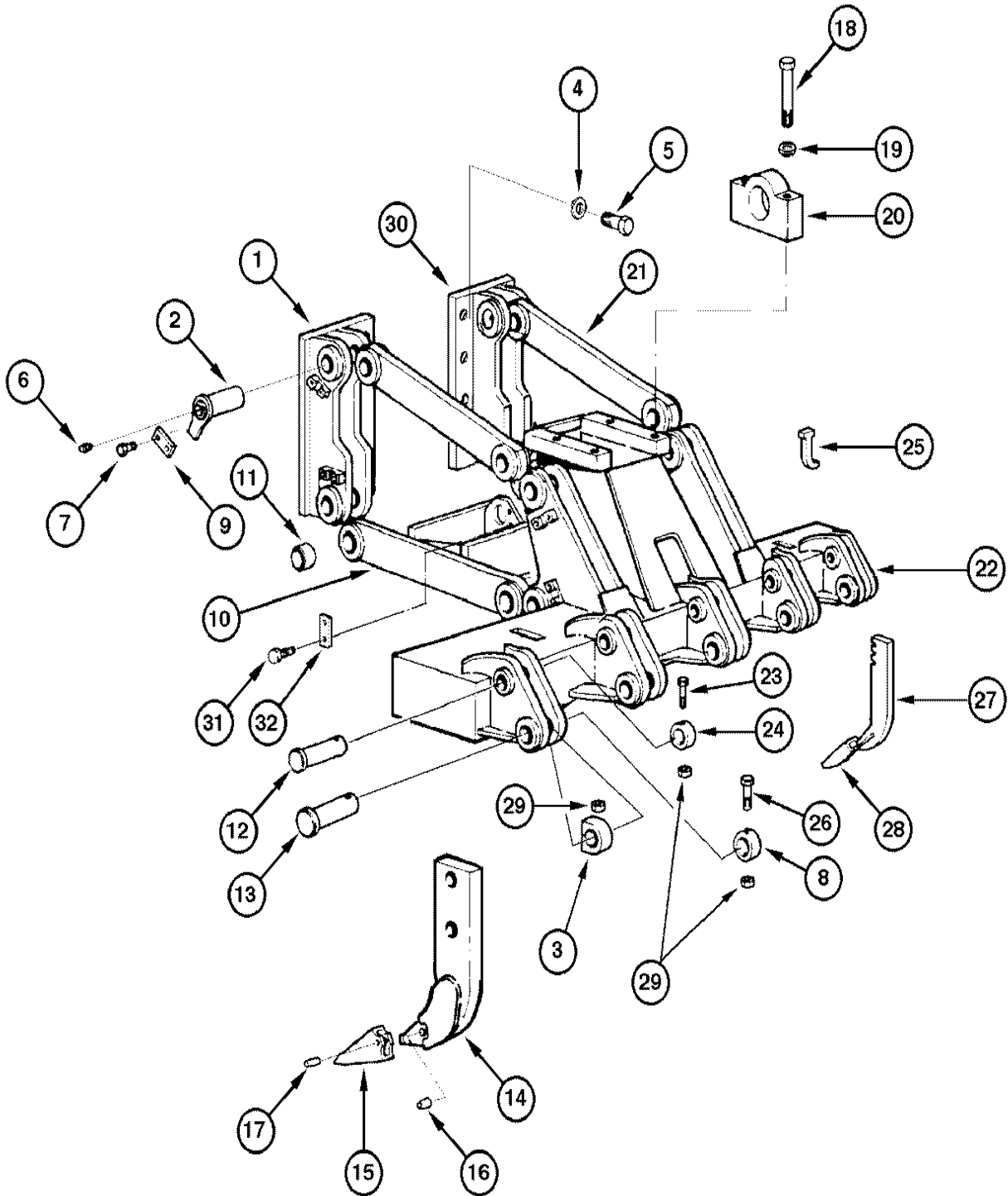
CIRCLE ASSEMBLY



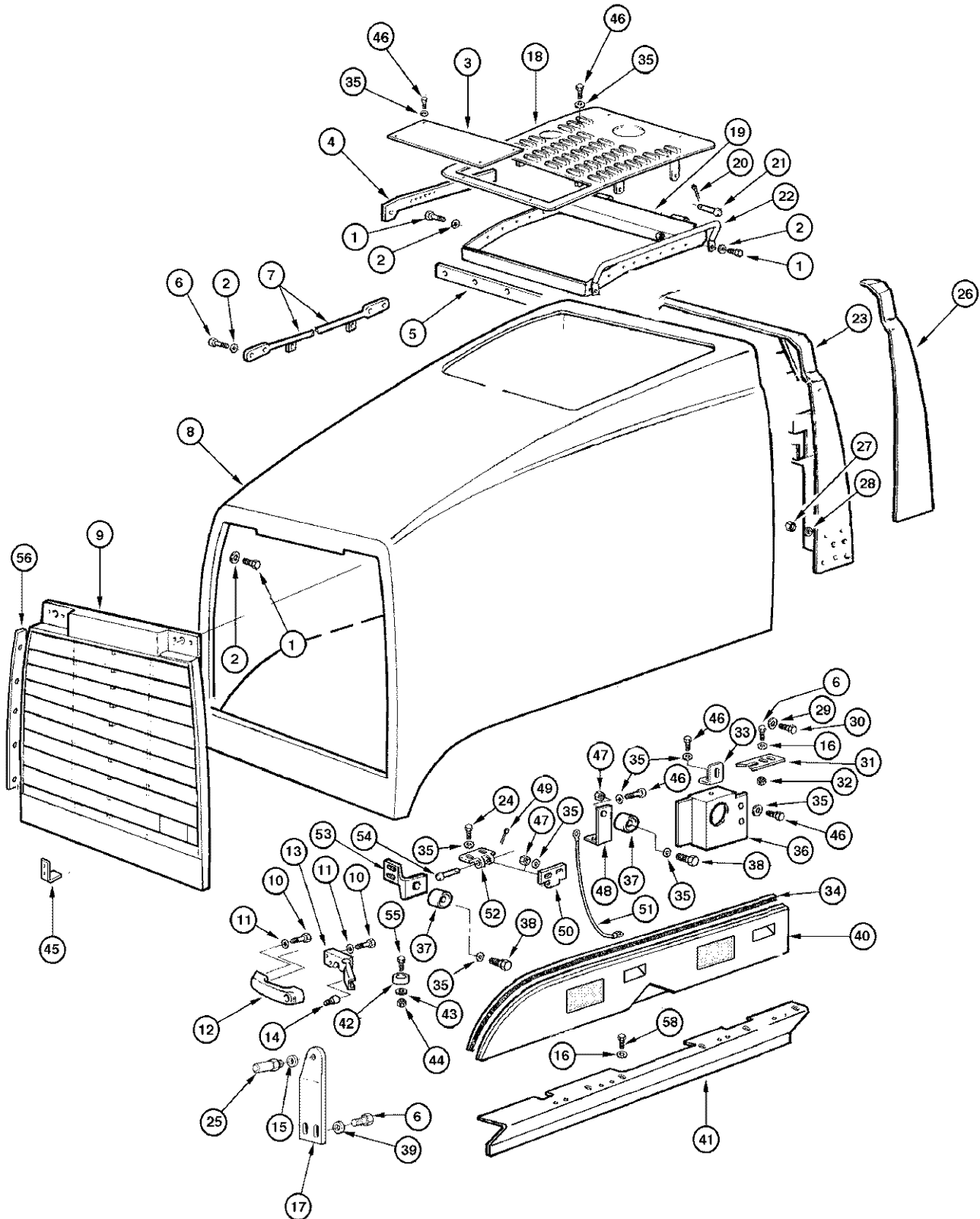
MOLDBOARD EXTENSION L.H. - ASSEMBLY (OPTIONAL)



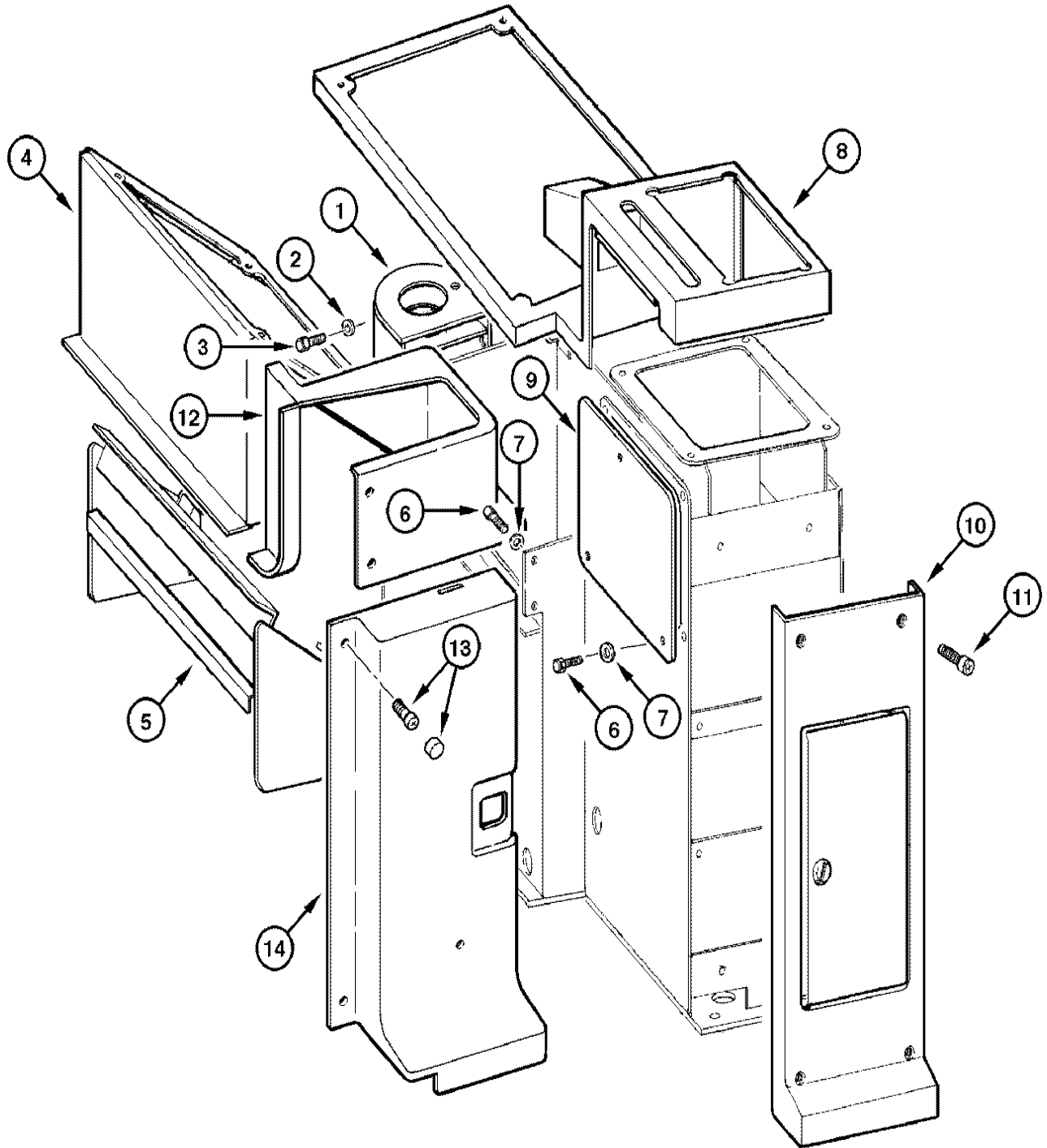
RIPPER ASSEMBLY



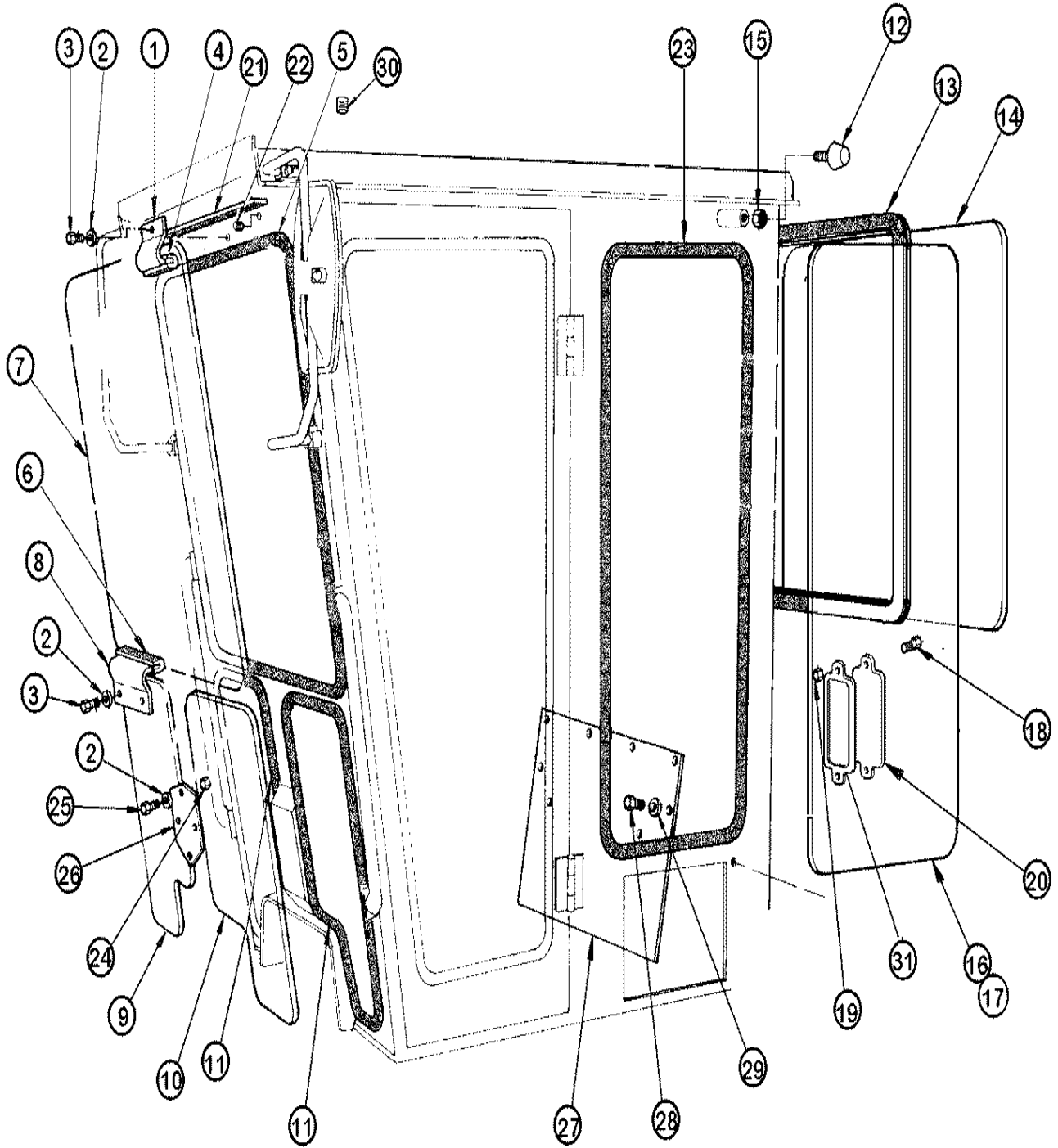
ENGINE HOOD AND GRILLE



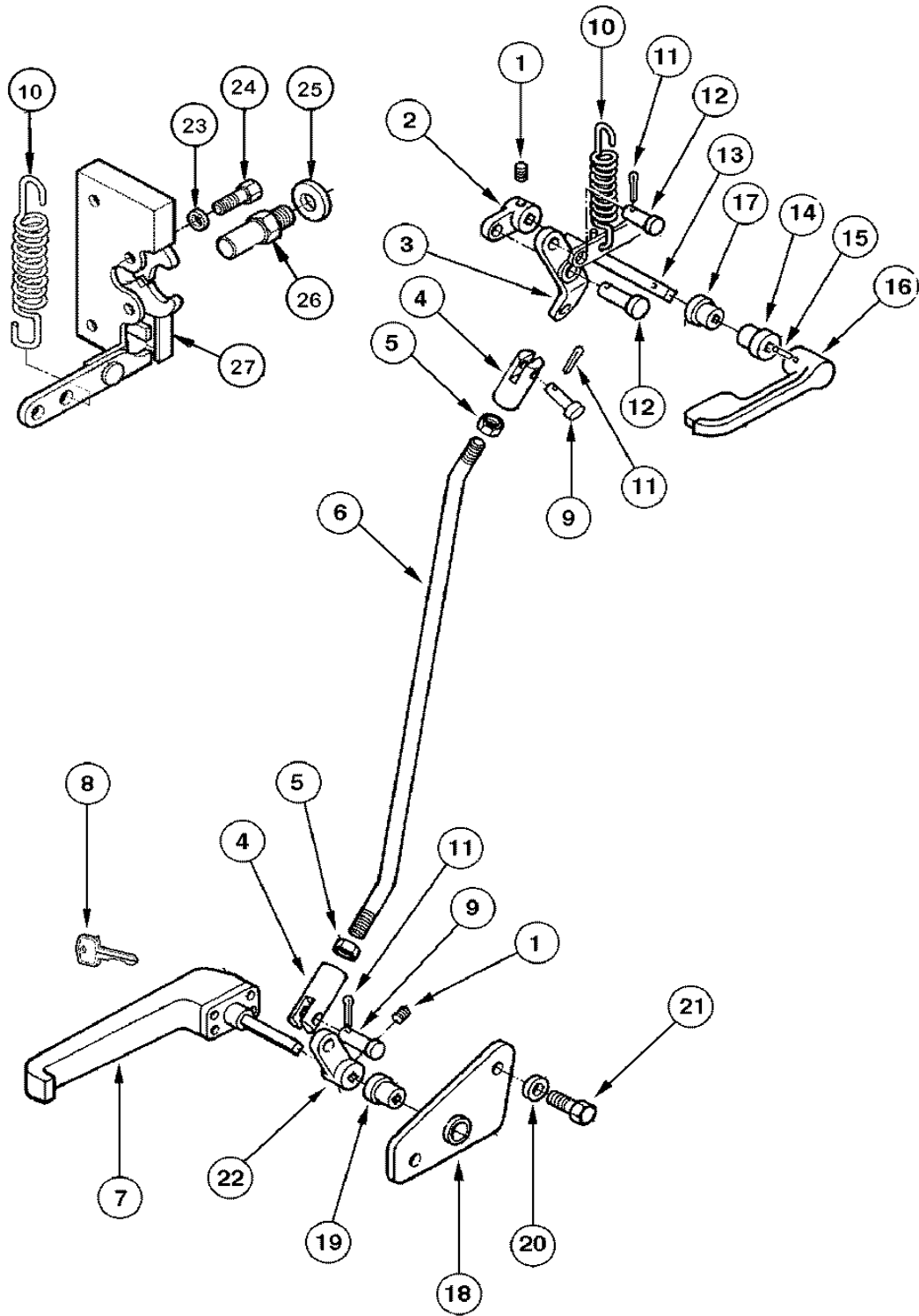
CONSOLE COVERS



CAB - WINDOWS (CLOSED CAB)



CAB - DOOR HANDLE

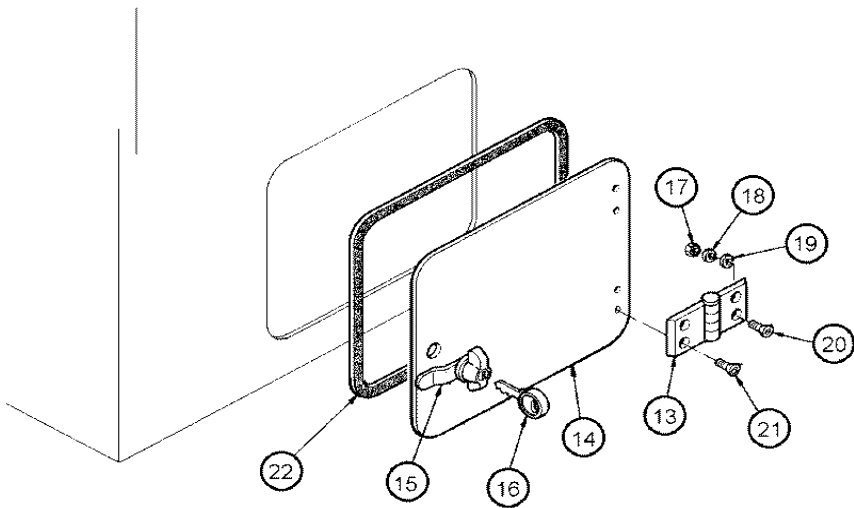
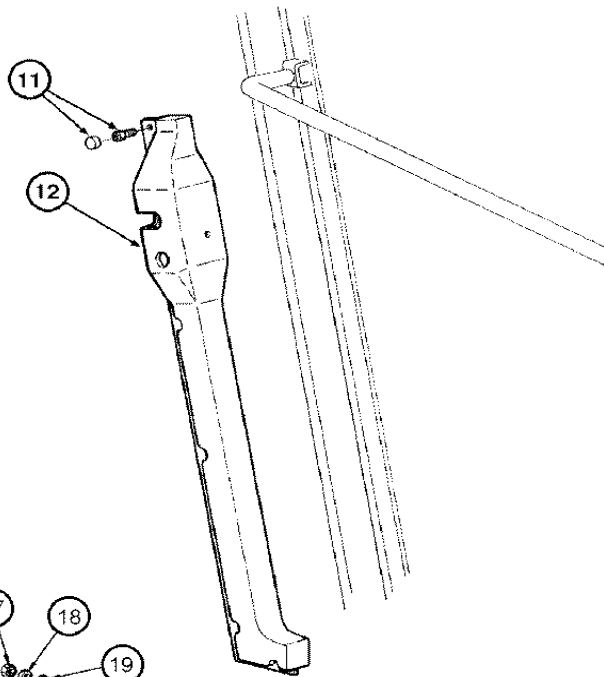
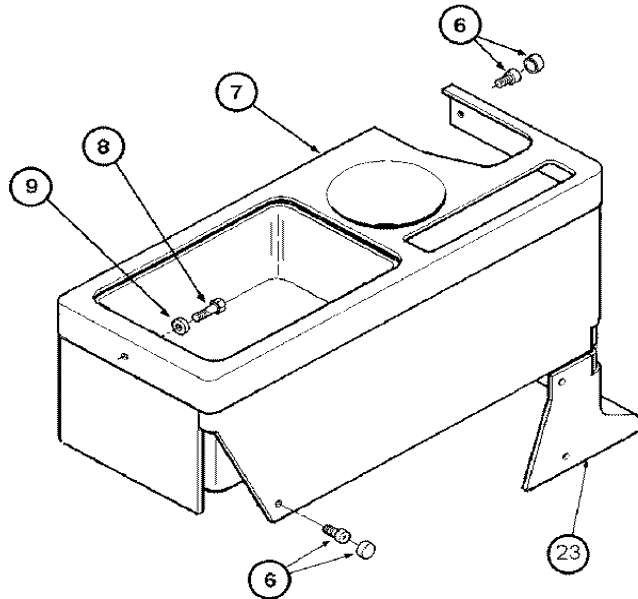
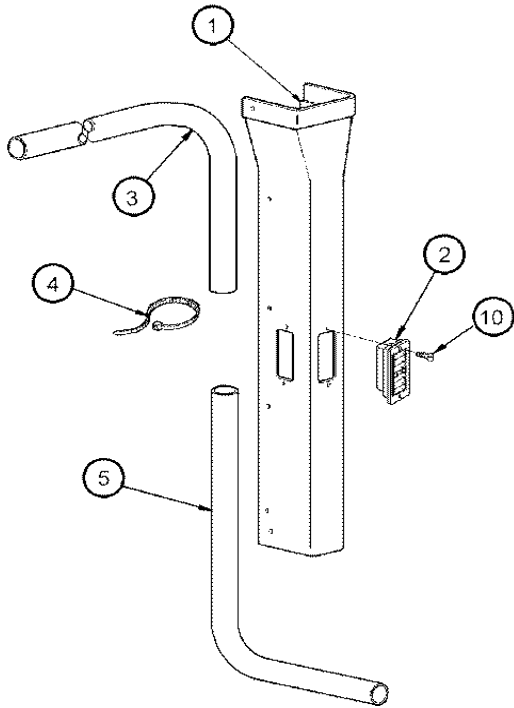


9-074

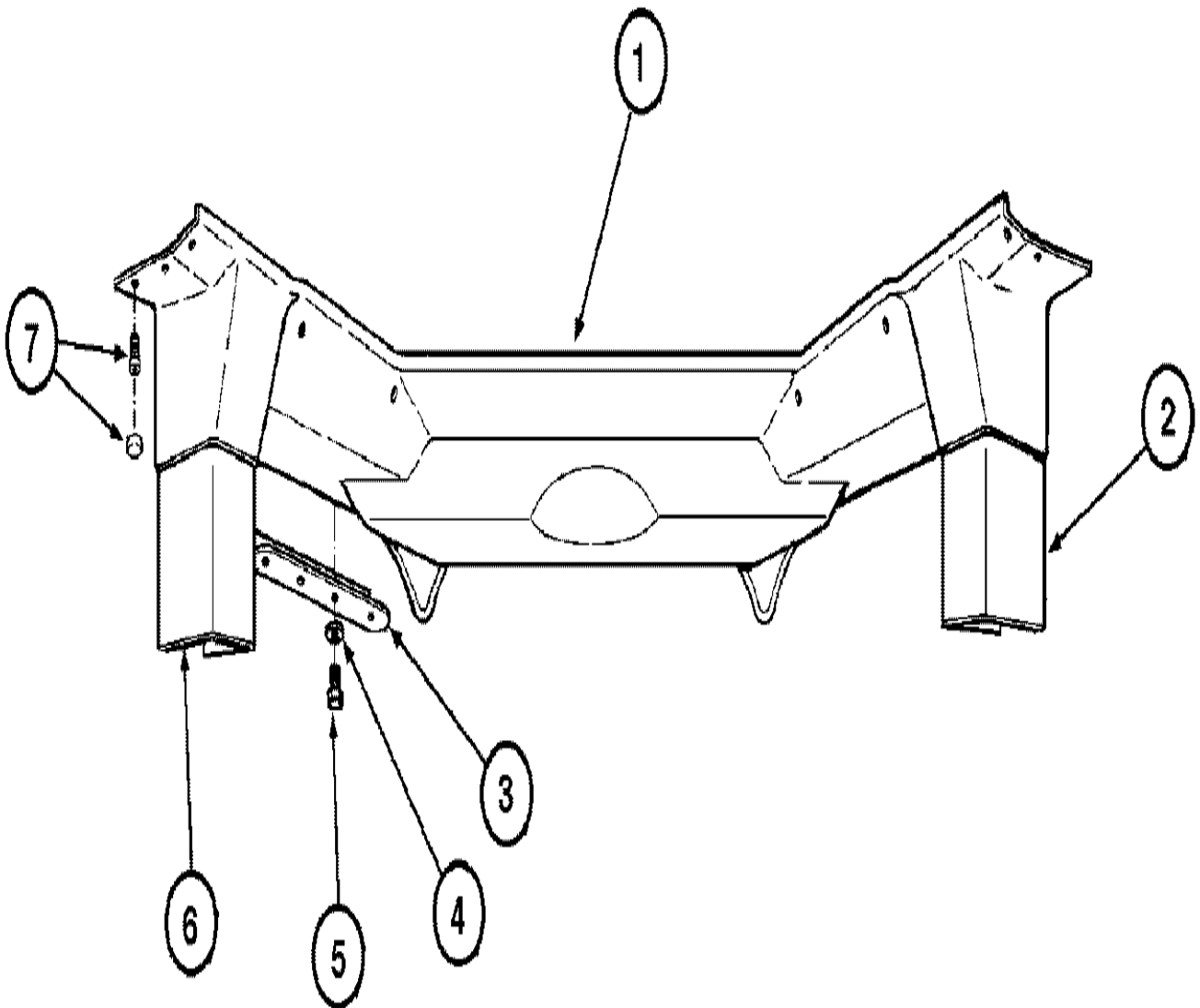
p1

1/2020

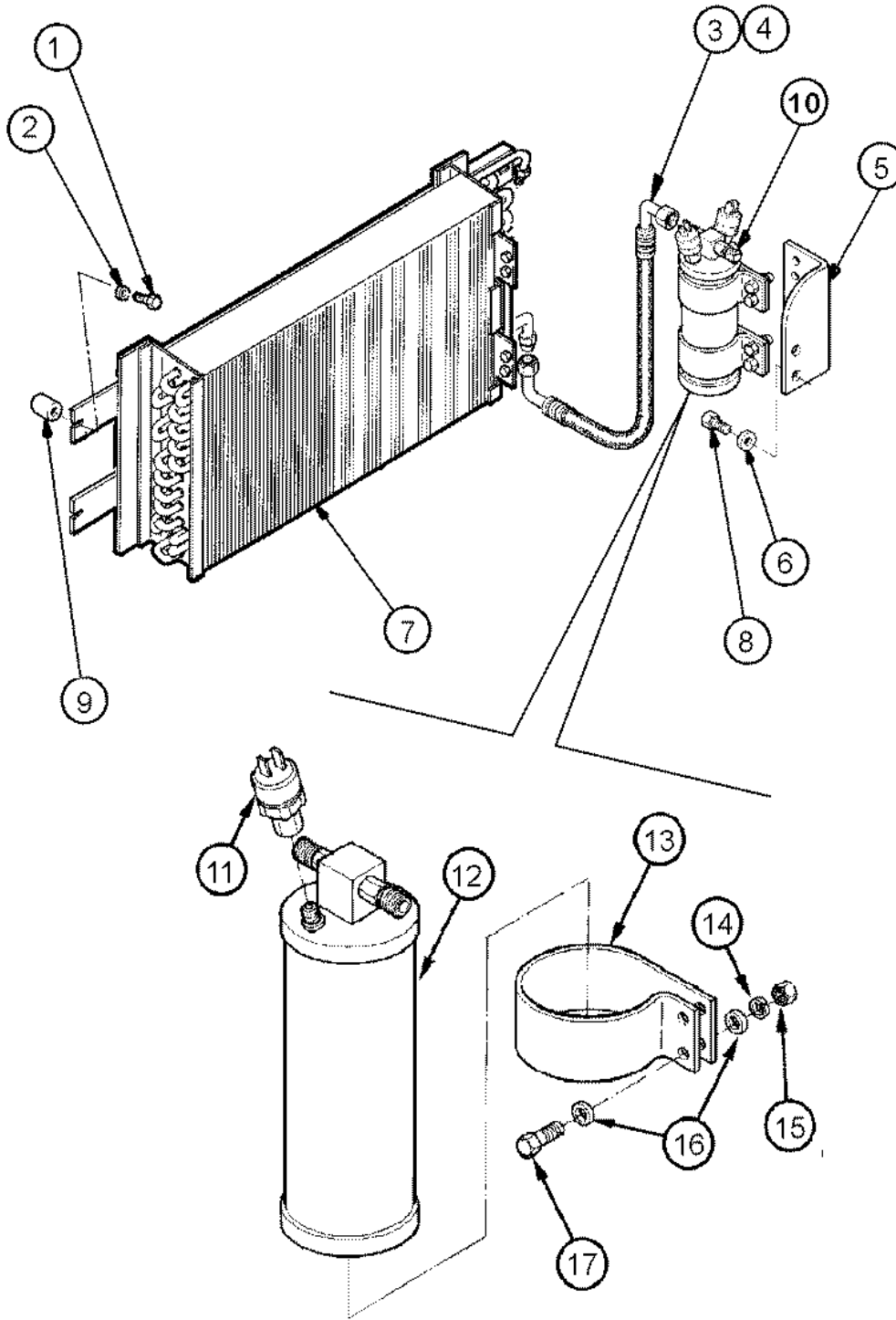
CAB - INNER UPHOLSTERY L.H./R.H.



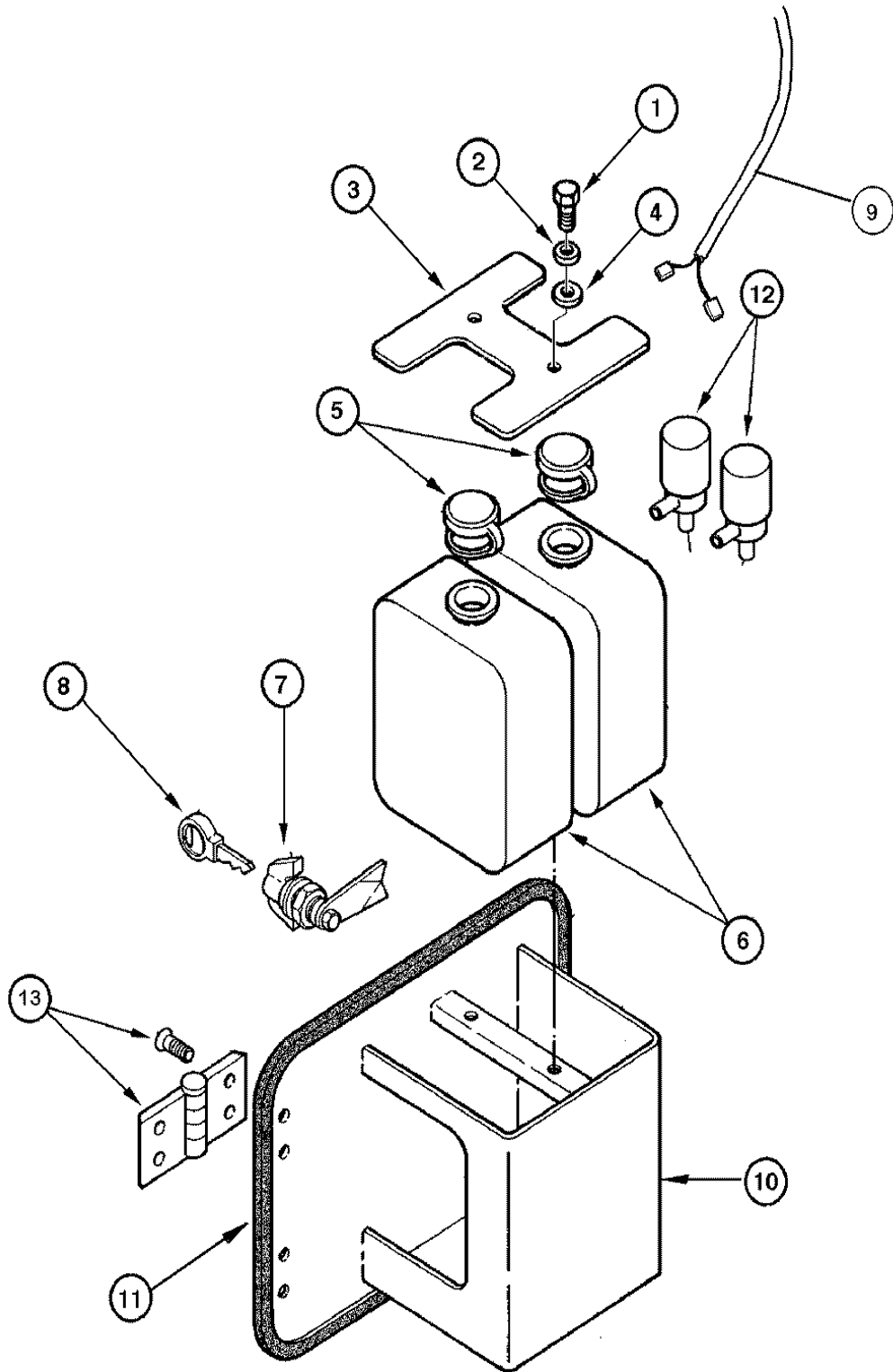
CAB - ROOF (OPEN CAB)



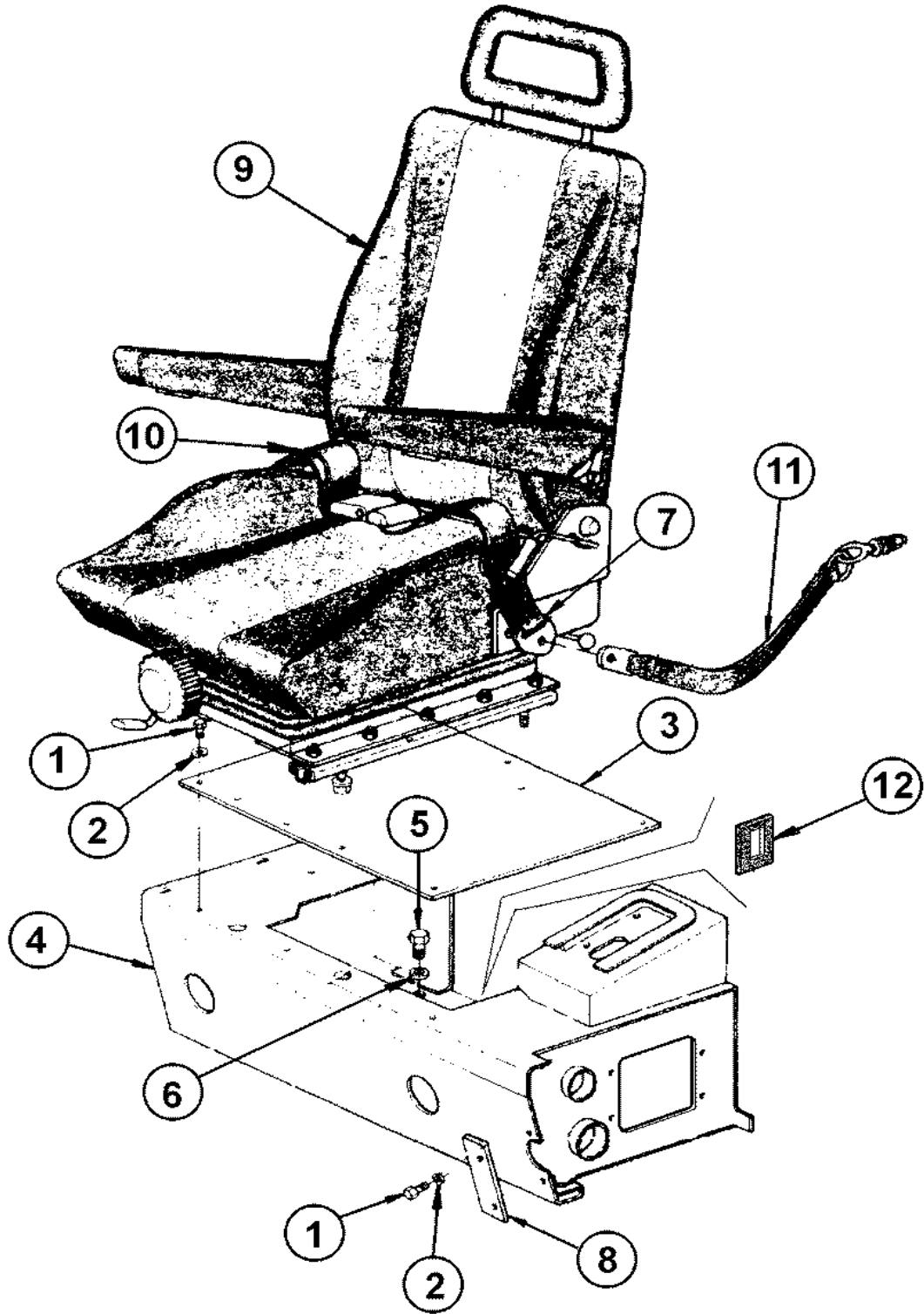
AIR CONDITIONING - CONDENSER MOUNTING



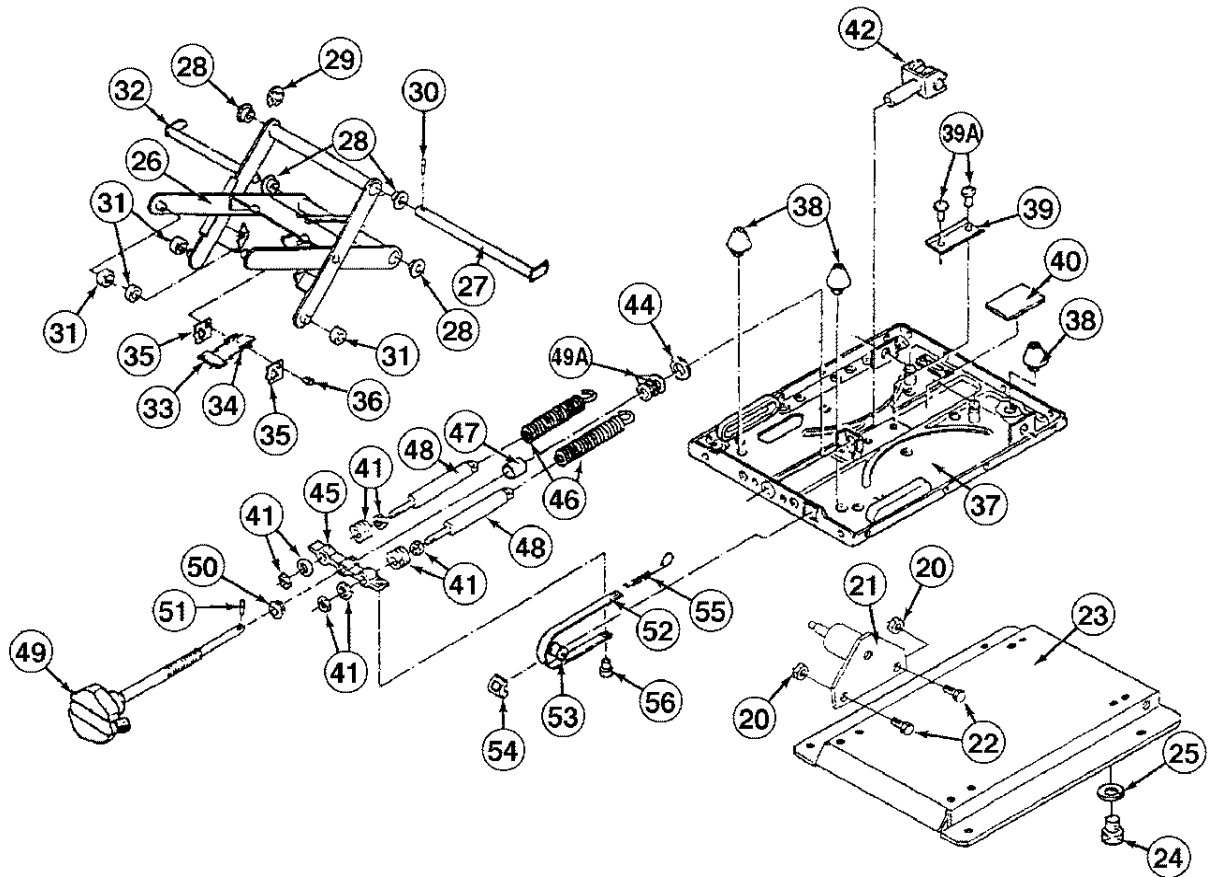
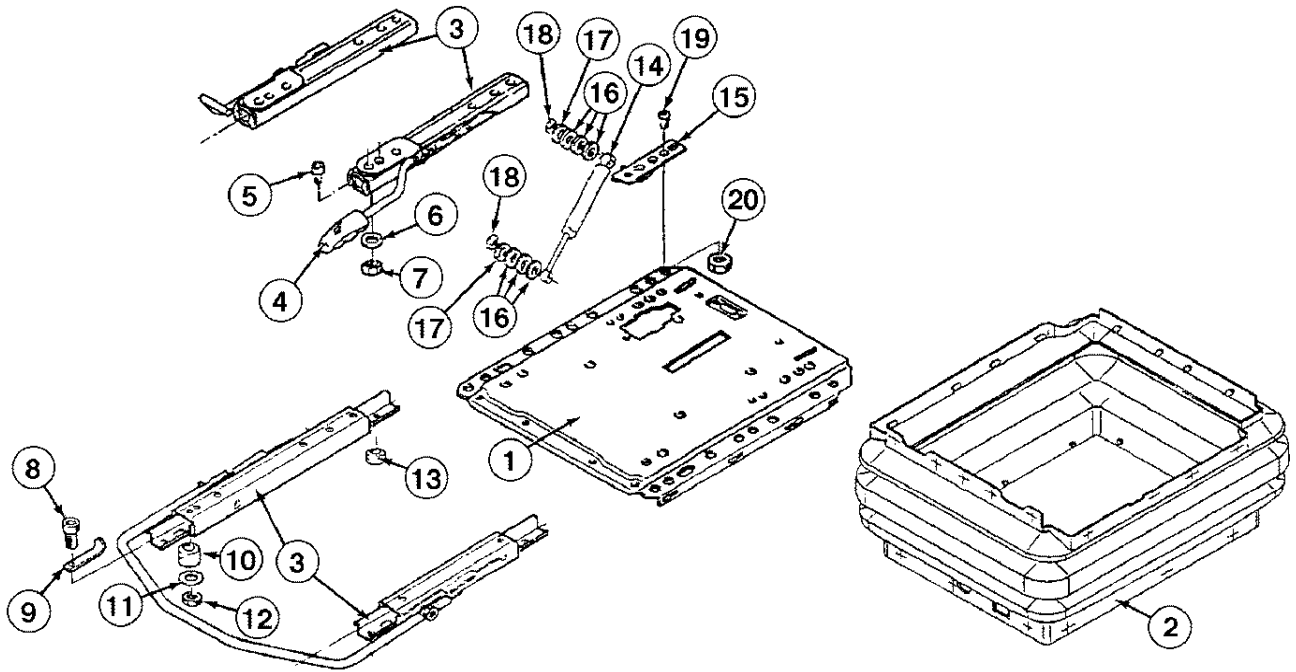
RESERVOIR ASSEMBLY



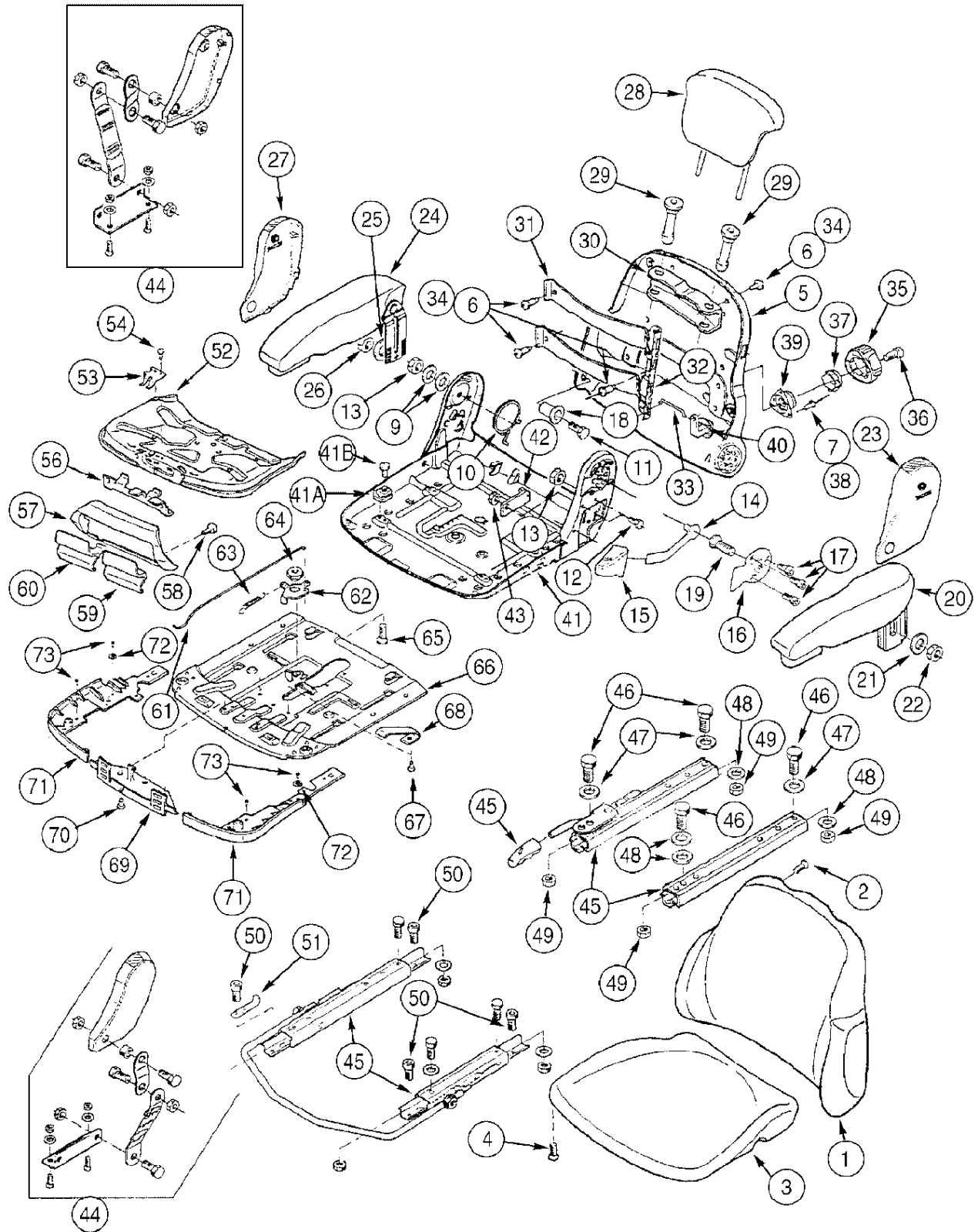
SEAT - MOUNTING AND BRACKET



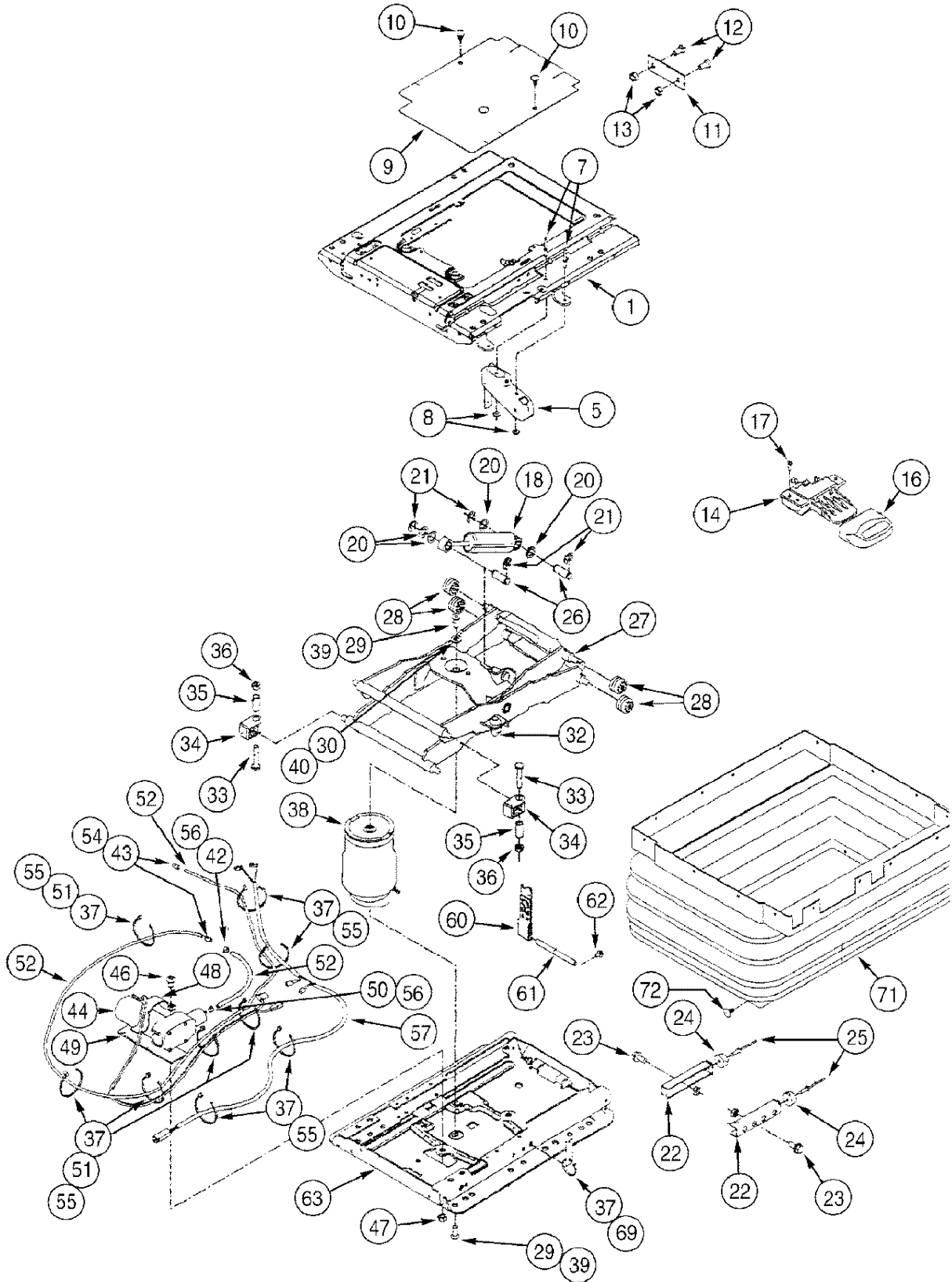
SEAT ASSY. - SUSPENSION ASSY.



SEAT ASSY. - UPPER SEAT ASSY (OPTIONAL)



SEAT ASSY. - SUSPENSION ASSY. (OPTIONAL)



---

## SECTION INDEX

### MISCELLANEOUS

---

05.100.03		FILTERS & CAPACITIES, 865 DHP
05.100.03		FILTERS & CAPACITIES, 865 DHP WITH CLARK REAR AXLE
05.100.03	01	FILTERS & CAPACITIES, 865 DHP WITH GRAZIANO (STD) REAR AXLE

INDEX - INDICE - INDEX - ZAHLENVERZEICHNIS - INDICE - INDICE - INDHOLD - INHOUD

Number	Figure	Sequence Ref.	Number	Figure	Sequence Ref.
11061076	8-106	1	11106631	8-056	6
11061076	8-116	1	11106631	8-124	34
11061076	9-030	3	11106631	9-012	5
11061675	8-118	11	11106831	8-054	33
11066676	9-088	45	11107031	7-014	18
11069576	6-052	2	11107031	8-052	10
11075376	6-076	25	11107031	8-054	20
11087971	7-002	3	11107031	9-014	21
11103031	3-006	9	11107231	9-088	23
11103031	8-072	18	11107331	8-014	21
11106031	2-020	12	11107331	8-026	9
11106031	6-008	1	11107331	8-048	25
11106031	6-050	9	11107331	8-050	33
11106031	6-060	10	11107331	8-052	21
11106031	8-028	15	11107331	8-058	10
11106121	9-028	22	11107631	6-070	9
11106131	2-006	8	11107631	6-072	8
11106231	2-004	19	11112131	9-004	29
11106231	2-010	9	11112131	9-028	26
11106231	3-006	4	11112231	6-012	7
11106231	4-006	7	11112331	4-024	14
11106231	4-032	1	11112431	6-078	29
11106231	4-044	6	11112431	8-060	11
11106231	6-076	2	11112431	9-040	30
11106231	6-078	21	11112631	2-002	3
11106231	8-004	2	11112631	6-076	8
11106231	9-046	5	11112631	8-010	9
11106231	9-088	13	11112631	8-052	15
11106431	2-002	18	11112631	9-004	21
11106431	2-006	11	11112631	9-004	26
11106431	2-014	8	11112831	4-006	5
11106431	2-020	3	11112831	9-012	3
11106431	3-006	24	11113031	9-004	24
11106431	4-044	15	11113231	6-004	20
11106431	8-016	15	11113231	6-044	38
11106431	8-018	9	11113231	9-002	18
11106431	8-028	6	11113431	3-004	9
11106431	9-004	30	11113631	9-032	23
11106431	9-016	12	11113731	5-004	37
11106431	9-040	1	11113731	9-032	26
11106431	9-040	6	11114631	8-124	14
11106631	2-020	5	11115531	8-010	2
11106631	6-002	1	11118537	2-002	7
11106631	6-008	21	11118537	7-002	34
11106631	6-046	22	11118731	6-012	9
11106631	7-014	26	11118731	8-010	13

INDEX - INDICE - INDEX - ZAHLENVERZEICHNIS - INDICE - INDICE - INDHOLD - INHOUD

Number	Figure	Sequence Ref.	Number	Figure	Sequence Ref.
70684837	9-004	6	70910287	8-020	8
70689717	8-050	15	70910287	8-024	27
70689718	8-050	17	70910287	8-124	24
70695523	8-024	28	70910287	9-014	3
70695523	8-046	22	70910510	9-016	40
70900367	8-026	3	70911026	8-054	19
70900802	8-004	16	70911028	9-006	10
70900805	9-002	24	70911028	9-008	2
70900805	9-030	6	70911029	5-002	17
70900808	8-122	26	70911029	9-020	4
70900808	9-018	12	70911029	9-022	4
70900816	8-046	4	70911029	9-024	1
70900822	8-122	28	70911029	9-026	1
70900942	8-014	6	70911030	6-044	26
70901344	6-044	4	70911030	8-042	11
70901345	6-044	42	70911037	9-016	7
70901345	9-034	14	70911040	3-002	17
70901345	9-036	4	70911040	9-014	28
70901348	6-046	15	70911041	7-002	10
70901348	6-060	2	70911043	2-006	13
70901348	9-028	16	70911048	9-014	2
70901421	9-018	16	70911048	9-016	28
70901520	4-050	7	70911051	6-046	23
70901651	2-012	4	70911061	6-044	3
70901651	6-076	31	70911061	9-034	15
70901651	6-078	3	70911061	9-036	5
70901652	7-014	9	70911115	8-014	8
70901652	8-042	12	70911174	8-122	27
70901702	6-008	13	70911279	8-050	16
70901828	4-024	20	70912299	9-034	17
70901835	9-088	38	70912299	9-036	3
70901838	8-042	5	70912441	4-030	10
70904002	6-046	28	70912441	6-048	9
70904002	9-016	18	70912441	6-062	8
70904203	4-014	17	70912441	8-014	3
70904203	4-024	21	70912441	8-042	22
70904208	2-006	12	70912441	8-122	41
70905362	8-020	5	70912441	9-006	11
70907059	6-076	28	70912441	9-008	3
70907059	6-078	36	70912497	9-018	8
70910149	9-088	25	70912725	6-076	17
70910179	8-122	16	70912725	6-078	26
70910231	6-046	25	70912768	6-076	30
70910251	4-024	8	70912942	5-002	28
70910287	2-006	4	70912942	7-002	36
70910287	6-046	21	70912942	7-002	6

INDEX - INDICE - INDEX - ZAHLENVERZEICHNIS - INDICE - INDICE - INDHOLD - INHOUD

Number	Figure	Sequence Ref.	Number	Figure	Sequence Ref.
73153774	9-014	10	73161846	6-078	16
73153814	3-006	14	73161850	6-078	11
73154919	9-014	22	73161851	6-078	11
73155118	6-074	1	73162141	6-008	24
73155118	6-078	7	73162142	6-008	6
73155223	8-012	12	73162142	6-008	8
73155650	6-074	12	73162371	6-044	17
73155650	6-078	17	73162469	3-006	10
73155805	6-070	16	73162476	9-016	42
73155831	6-042	2	73162485	9-014	14
73155834	6-042	1	73162489	6-006	9
73155834	7-012	3	73162490	6-004	1
73158927	9-086	6	73162490C	6-004	1
73159024	7-002	26	73162490R	6-004	1
73159102	8-074	1	73162491	4-022	4
73159102	8-126	3	73162492	4-022	8
73159181	8-120	15	73162493	4-014	2
73160573	8-020	4	73162584	9-032	21
73160841	8-042	25	73162593	9-032	22
73160848	8-018	10	73162606	9-032	30
73160848	8-028	14	73162607	9-032	1
73160850	8-018	8	73162636	8-124	36
73160850	8-028	9	73162641	8-124	32
73160860	8-018	3	73162647	8-124	37
73161153	05.100.03	11	73162730	8-054	18
73161153	8-004	15	73162805	2-006	14
73161180	7-002	43	73162805	8-134	
73161216	7-002	39	73162805C	2-006	14
73161219	7-002	37	73162805C	8-134	
73161222	7-002	9	73162805R	2-006	14
73161283	4-050	4	73162805R	8-134	
73161783	6-076	21	73162806	8-062	
73161784	6-076	16	73162806C	8-062	
73161790	6-078	4	73162806R	8-062	
73161791	6-048	2	73162825	8-014	11
73161791	6-062	9	73162878	2-006	1
73161793	8-074		73162923	8-078	
73161794	8-074	5	73162930	9-038	4
73161796	8-074	4	73163135	9-132	22
73161800	6-074	10	73163151	9-132	16
73161800	6-078	18	73163234	4-014	1
73161842	6-068	2	73163534	2-002	12
73161842	6-078	32	73163844	5-010	
73161843	6-078	10	73163866	2-002	19
73161844	6-078	15	73163867	2-002	8
73161845	6-078	2	73163878	4-052	1

INDEX - INDICE - INDEX - ZAHLENVERZEICHNIS - INDICE - INDICE - INDHOLD - INHOUD

Number	Figure	Sequence	Ref.	Number	Figure	Sequence	Ref.
75287715	6-018		7	75288396	2-018		2
75287715	6-020		7	75288397	2-018		3
75287715	6-022		20	75288398	2-018		4
75287715	6-024		6	75288399	2-018		5
75287716	6-028		5	75288400	2-018		6
75287717	6-028		6	75288401	2-018		7
75287719	6-038		4	75288402	2-018		8
75287719	7-006		10	75288403	2-018		9
75287720	6-018		19	75288406	2-018		11
75287720	6-020		11	75288407	2-018		12
75287720	6-022		18	75288424	6-014		24
75287720	6-024		17	75288424	6-016		3
75287722	6-018		6	75288425	6-014		12
75287751	6-018		11	75288425	6-030		17
75287751	6-020		19	75288425	6-030		37
75287751	6-022		10	75288428	6-034		8
75287751	6-024		9	75288433	6-032		6
75287752	6-018		14	75288434	6-032		5
75287752	6-020		16	75288435	6-034		16
75287752	6-022		13	75288436	6-034		6
75287752	6-024		12	75288437	6-034		5
75287753	6-018		13	75288437	6-036		3
75287753	6-020		17	75288438	6-034		3
75287753	6-022		12	75288438	6-036		1
75287753	6-024		11	75288439	6-034		2
75287755	6-018		4	75288439	6-036		2
75287755	6-020		4	75288445	7-008		1
75287756	6-040		4	75288446	7-008		13
75287758	4-030		2	75288450	6-028		4
75287758	6-030		22	75288458	6-028		3
75287774	9-058		12	75288476	6-014		21
75287779	9-058		29	75288477	6-014		22
75287779	9-062		18	75288479	6-014		19
75287779	9-070		6	75288480	6-014		23
75287779	9-076		6	75288484	6-014		34
75287780	4-056		2	75288486	6-016		4
75287780	9-058		2	75288486	6-018		10
75287780	9-062		2	75288486	6-020		10
75287780	9-070		21	75288486	6-022		19
75287780	9-100		6	75288486	6-024		18
75288059	4-002A	00	12	75288486	6-026		1
75288328	4-048		2	75288490	6-018		3
75288329	4-048		3	75288490	6-020		3
75288330	4-048		4	75288490	6-022		3
75288336	2-023		3	75288490	6-024		3
75288395	2-018		1	75288491	6-022		8

CLICK HERE TO **DOWNLOAD** THE COMPLETE MANUAL

- Thank you very much for reading the preview of the manual.
- You can download the complete manual from: [www.heydownloads.com](http://www.heydownloads.com) by clicking the link below



- Please note: If there is no response to CLICKING the link, please download this PDF first and then click on it.

CLICK HERE TO **DOWNLOAD** THE COMPLETE MANUAL