



# Parts Catalog

CLICK HERE TO **DOWNLOAD** THE COMPLETE MANUAL

- Thank you very much for reading the preview of the manual.
- You can download the complete manual from: [www.heydownloads.com](http://www.heydownloads.com) by clicking the link below



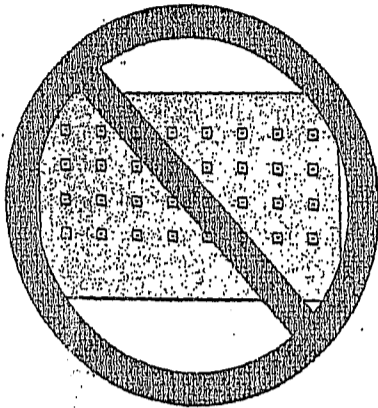
- Please note: If there is no response to CLICKING the link, please download this PDF first and then click on it.

CLICK HERE TO **DOWNLOAD** THE COMPLETE MANUAL



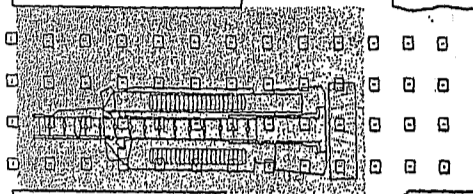
# RED ZONES ARE NO ZONES

## FOR MINING WITH REMOTE CONTROL CONTINUOUS MINERS

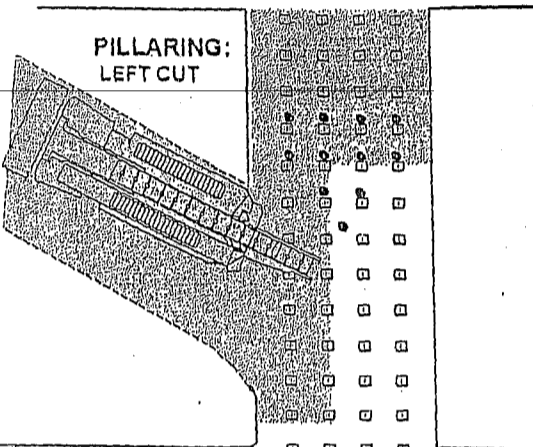


NOTE:  
THESE DRAWINGS DO NOT SUPERCEDE  
ANY STATE OR FEDERAL REQUIREMENT

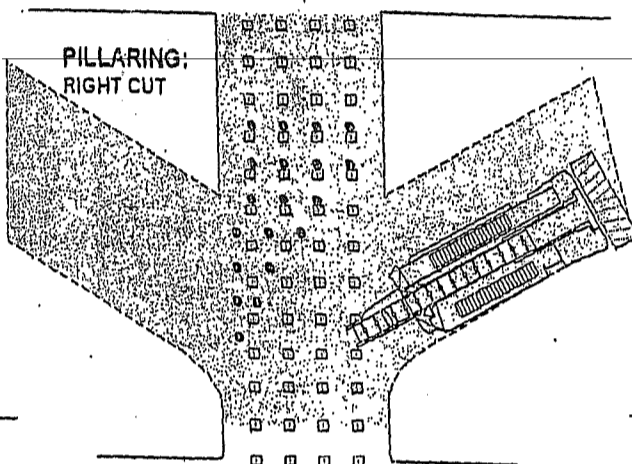
TRAMMING TO NEXT PLACE



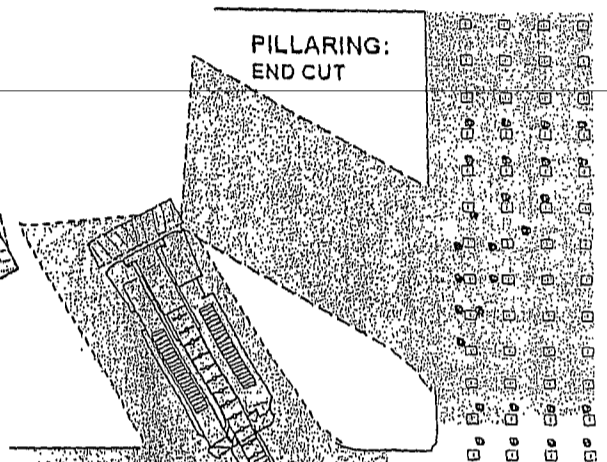
PILLARING:  
LEFT CUT



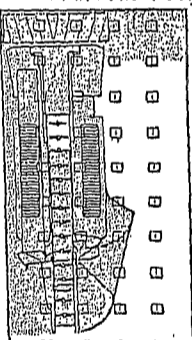
PILLARING:  
RIGHT CUT



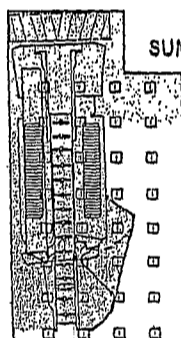
PILLARING:  
END CUT



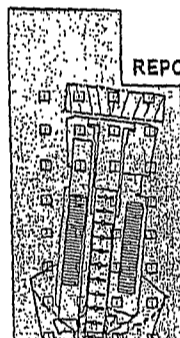
BEGINNING FIRST SUMP



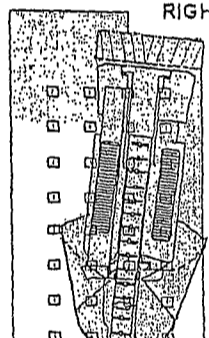
SUMP FIRST SIDE



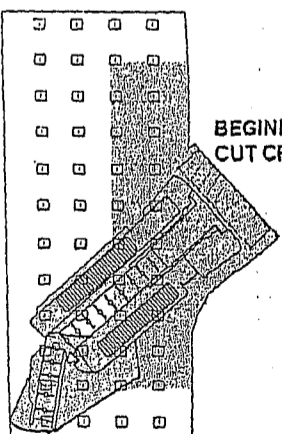
REPOSITIONING MINER



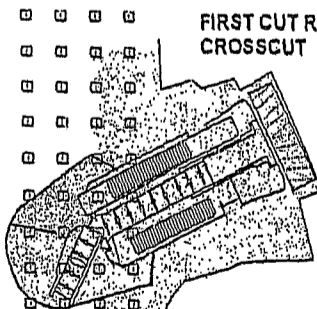
RIGHT SUMP



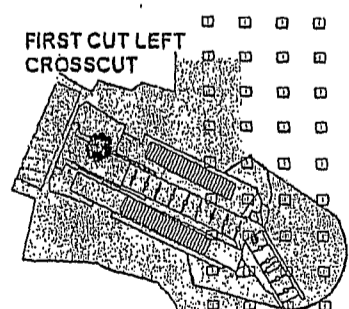
BEGINNING TO  
CUT CROSSCUT



FIRST CUT RIGHT  
CROSSCUT



FIRST CUT LEFT  
CROSSCUT

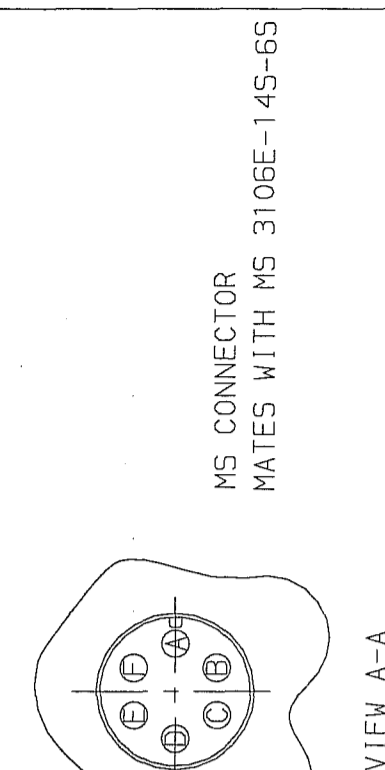




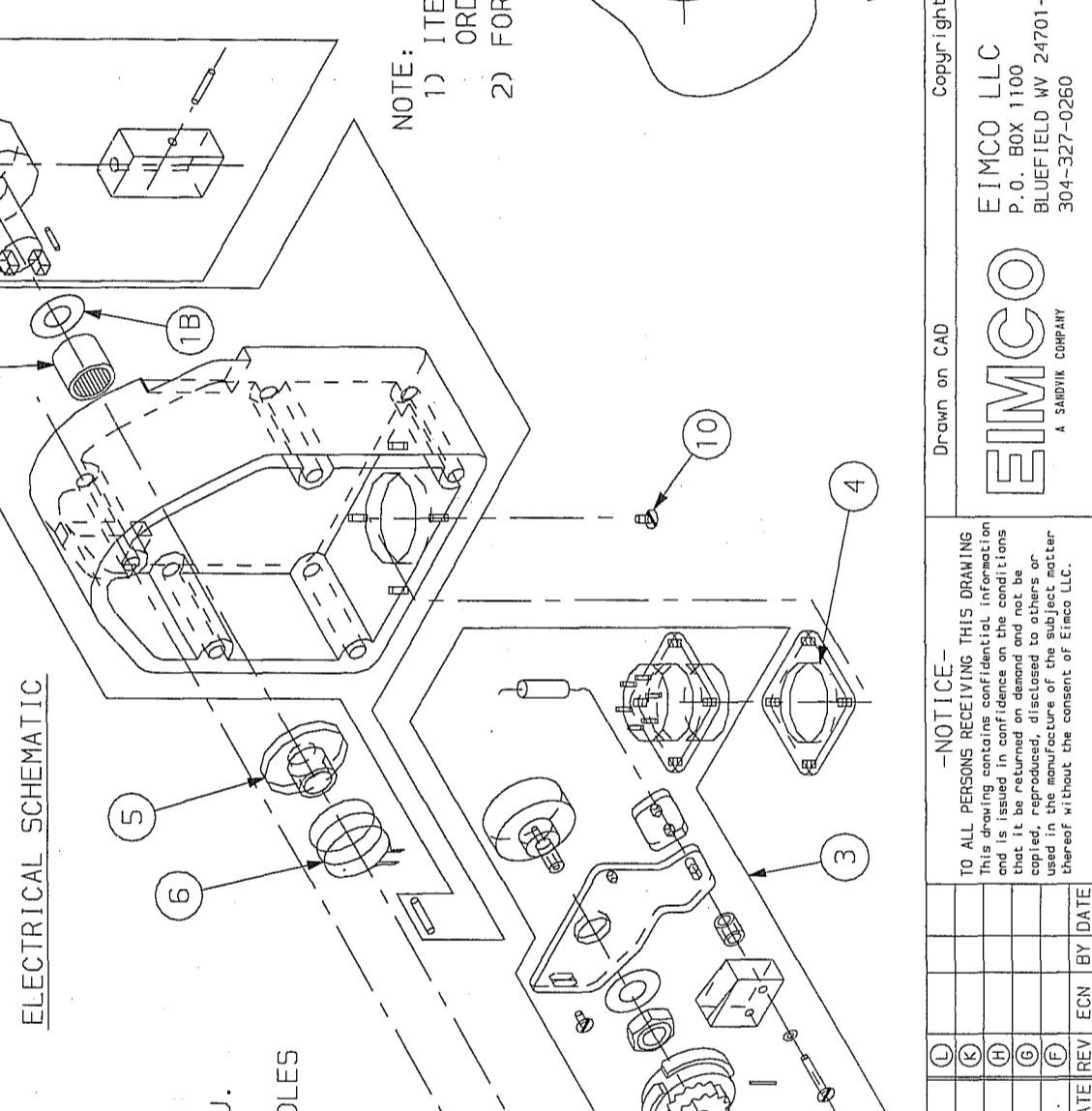
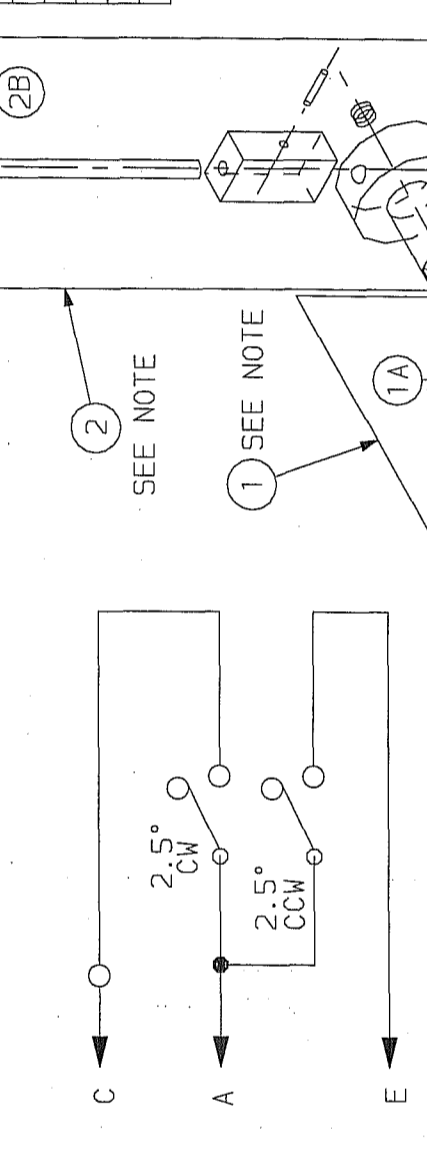
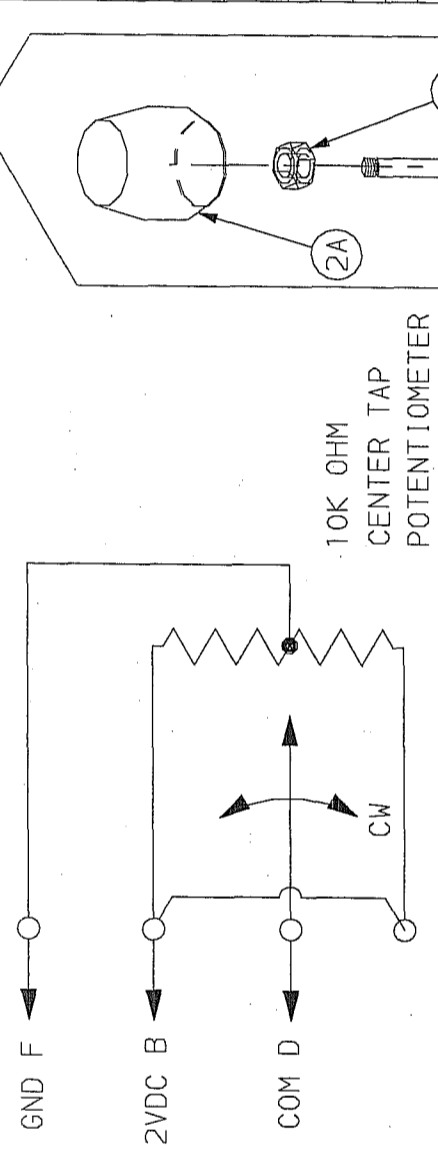
ITEM NO.	PART NO.	QTY/U/M	DESCRIPTION	BM	DWG. SIZE
1	1090316	1 EA	HOUSING ASS'Y	.	.
1A	1090317	1 EA	BRONZE BUSHING	.	.
1B	71200919	1 EA	0" RING	.	.
2	1090319	1 EA	HANDLE ASS'Y	.	.
2A	1090320	1 EA	BALL KNOB	.	.
2B	37102126	1 EA	HEX NUT 5/16-18	.	.
3	1090321	1 EA	ELECTRICAL ASS'Y	.	.
4	1090322	1 EA	GASKET, MS-14 CORK	.	.
5	1090323	1 EA	SPRING GUIDE	.	.
6	1090324	1 EA	TORSION SPRING	.	.
7	1090325	1 EA	SECTOR GEAR	.	.
8	1090326	1 EA	HOUSING COVER GASKET	.	.
9	1090327	1 EA	COVER M100	.	.
10	37490489	4 EA	RH SCREW 6-32X3/8"	.	.
11	37559851	1 EA	SPMS 10-24X3/8" CAD PL	.	.
12	37704418	1 EA	FLAT WASHER	.	.
13	37011012	3 EA	SFHD SCREW 8-32X5/8"	.	.



NOTE:  
 1) ITEMS 1A, 1B, 2A & 2B CAN BE ORDER SEPARATLY OR BY ORDERING ITEMS 1 & 2.  
 2) FOR SWITCH ADJUSTMENT PROCEDURE SEE 91930159.



MS CONNECTOR  
 MATES WITH MS 3106E-14S-6S



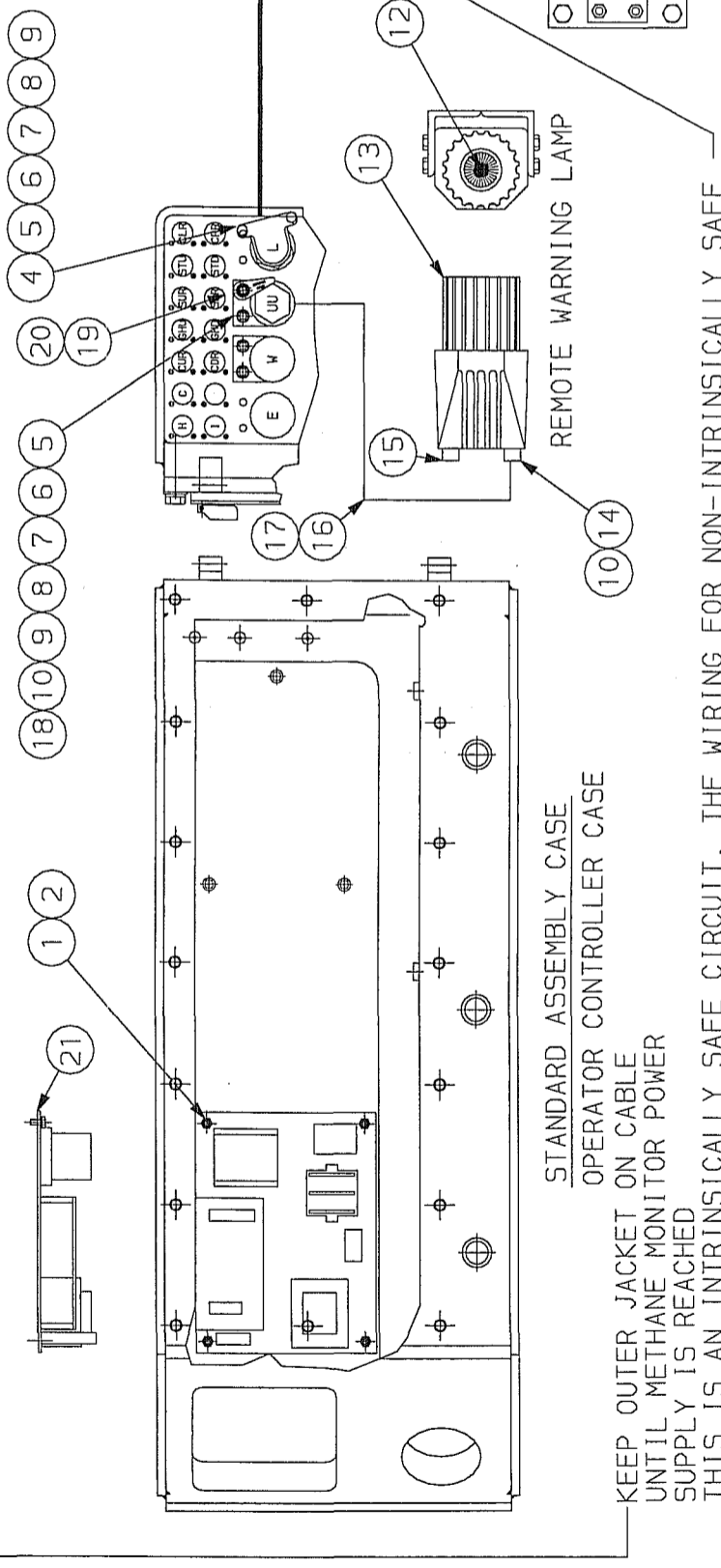
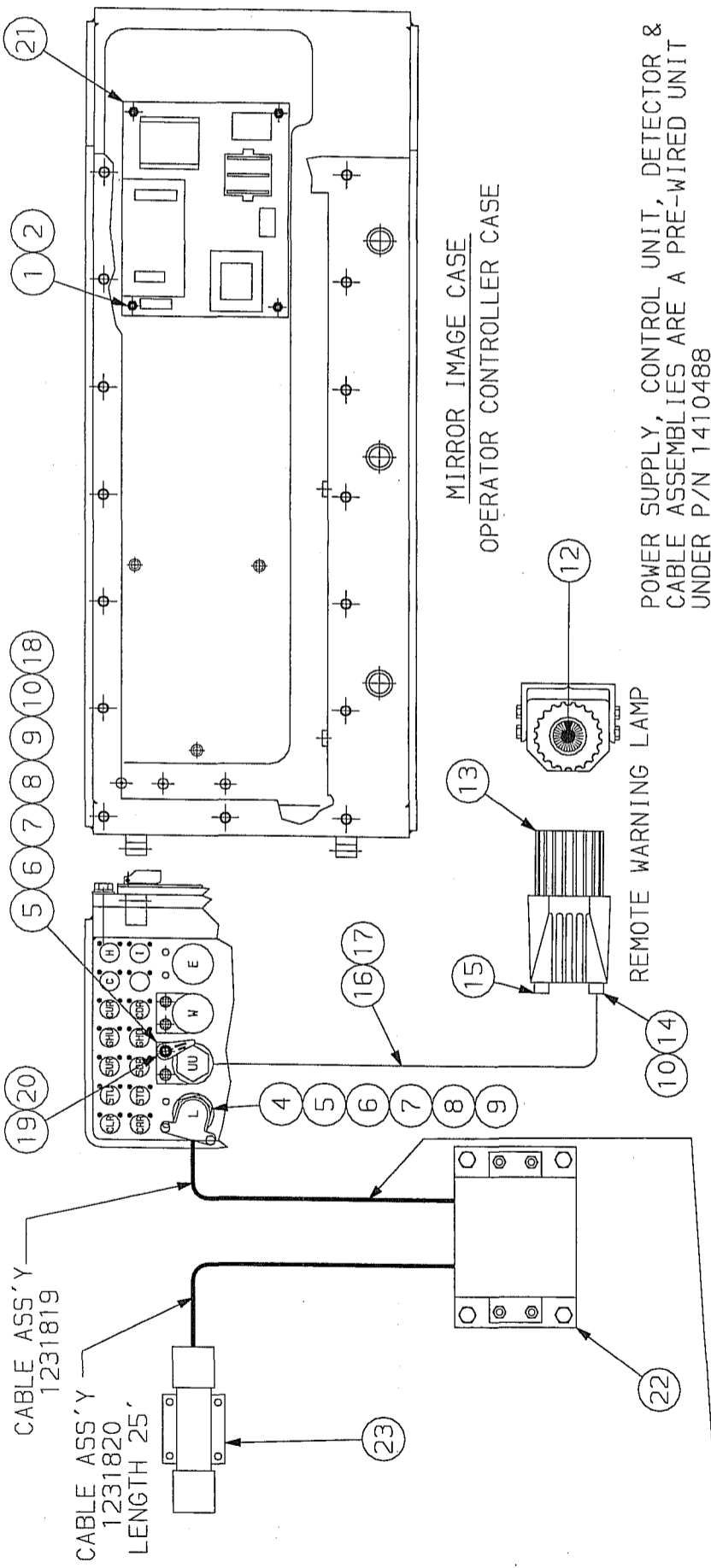
REV	ECN	BY	DATE	REV	ECN	BY	DATE
(E)							
(D)							
(C)							
(B)							
(A)							

**-NOTICE-**  
 TO ALL PERSONS RECEIVING THIS DRAWING - This drawing contains confidential information and is issued in confidence on the conditions that it be returned or destroyed to others' copies, reproduced, disclosed to others' used in the manufacture of the subject matter thereof without the consent of Eimco LLC.

Copyright 1992  
 Drawn on CAD  
**EIMCO**  
 A SANYUK COMPANY  
 EIMCO LLC  
 P.O. BOX 1100  
 BLUEFIELD WV 24701-1100  
 304-327-0260

UNLESS OTHERWISE NOTED ALL DIMENSIONS ARE IN INCHES. DECIMALS ±.005" TOLERANCE ANGLES ±.30 MINUTES FABRICATION TOL ±.1/16" DATE 7-30-92 DRAWN L.H. CHECKED SCALE 1/2 DO NOT SCALE

BILL OF MATERIAL				B/M No. 1410883
ITEM No.	PART NO.	QTY U/M	DESCRIPTION	DMG. SIZE
1	37400512	4	EA 1/4-20X1/2" HHCS	.
2	37706512	4	EA 1/4" LOCKWASHER	.
3	1410488	1	EA CSE140BLDCUIR W/O X/P ENC 25 DT	X
4	30098230	1	EA GLAND ASSY	A
5	30066666	2	EA STUFFING BOX	B
6	30045082	2	EA CLIP 2"	A
7	71205066	2	EA 2" O-RING	.
8	37559703	4	EA 3/8-16X7/8" SHCS	.
9	37707189	3	EA 3/8" LOCKWASHER	.
10	74401746	1	EA HOSE CLAMP	A
11	1610758	1	EA INSTALLATION DIAGRAM	C
12	1100347	1	EA 12V, 20W BULB	.
13	1100346	1	EA LIGHT FIXTURE	.
14	3430441	1	EA GLAND, LIGHT STRAIGHT	.
15	30136162	1	EA PLUG, LIGHT	.
16	19402916	20	FT CABLE, #16-2C 50 CABLE	.
17	50041318	218	IN 5/8" CONDUIT HOSE	.
18	3430336	1	EA GLAND ASS'Y STRAIGHT	A
19	21067038	1	EA LOCKING TAB	B
20	37710365	1	EA 3/8" HI COLLAR LW	.
21	1640015	REF	EA POWER SUPPLY W/O X/P	.
22	1640021	REF	EA CONTROL UNIT IR	.
23	1640001	REF	EA DETECTOR UNIT	.



TACK WELD ALL PLUGGED GLANDS.

REV	ECN	BY	DATE	REV	ECN	BY	DATE
(E)				(L)			
(D)				(K)			
(C)				(J)			
(B)				(I)			
(A)				(H)			

Copyright 2001  
EIMCO LLC  
P.O. BOX 1100  
BLUEFIELD WV 24701-1100  
304-327-0260  
A SANDVIK COMPANY

UNLESS OTHERWISE NOTED ALL DIMENSIONS ARE IN INCHES DECIMALS = .005" FRACTIONS = 1/16" TOLERANCE UNLESS OTHERWISE SPECIFIED FABRICATION TOL ± 1/16" MODEL 2810 DATE 3-26-01 DRAWN LH CHECKED KN SCALE NONE

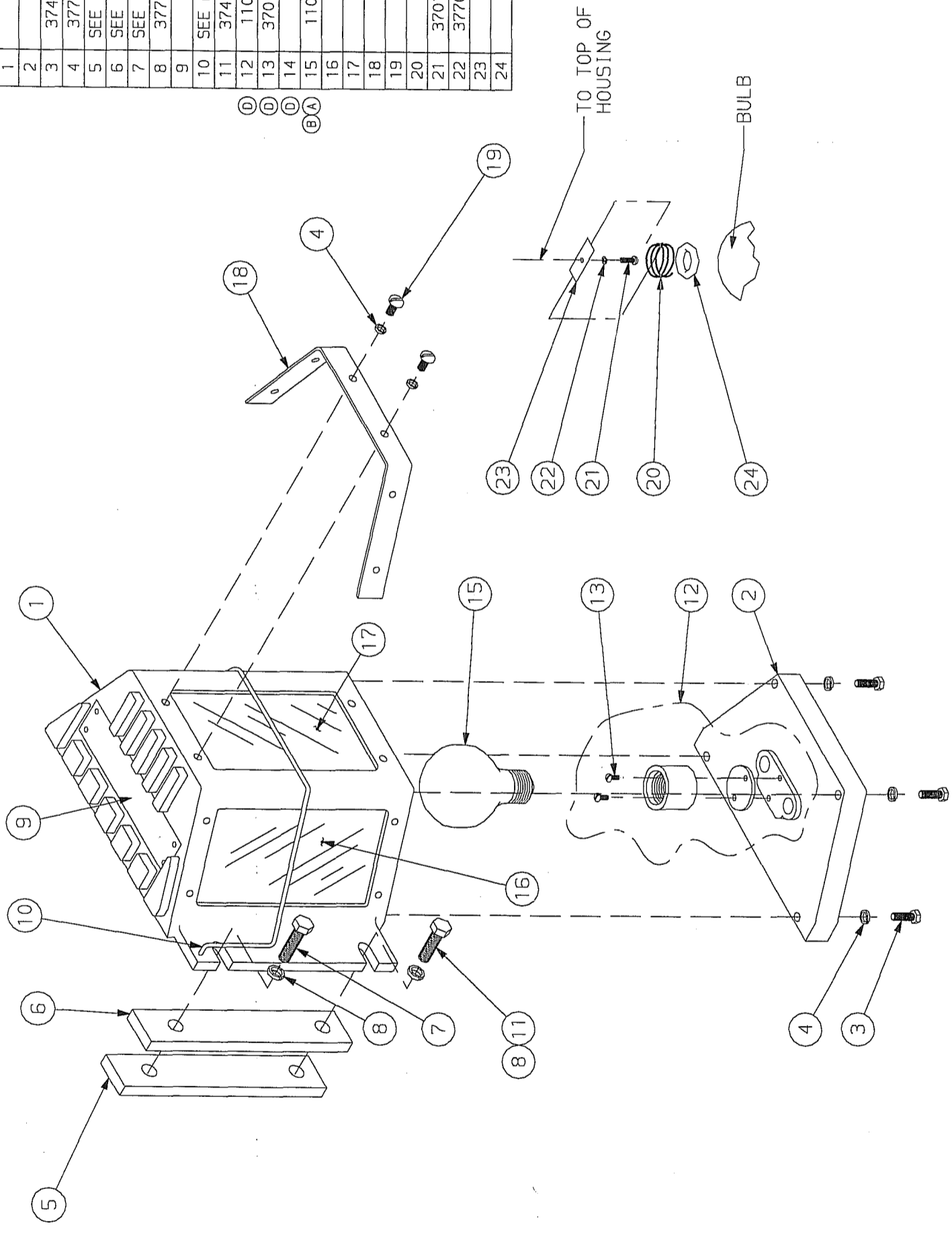
INSTALLATION DIAG.  
CSE 140B-LD-IR MM 25 DT  
W/O X/P FOR POWER SUPPLY

1410883  
C

BILL OF MATERIAL

ITEM NO.	PART NO.	QTY/U/M	DESCRIPTION	EM	DWG. SIZE
1		1 EA	HOUSING (MACHINING)		
2		1 EA	COVER		
3	37400629	4 EA	1/4-20 X 3/4 HHCS.		
4	37706413	16 EA	1/4 SPLIT RING LOCKWASHER		
5	SEE NOTE 1	2 EA	WELD PAD		
6	SEE NOTE 1	2 EA	SHOCK MOUNT		
7	SEE NOTE 2	2 EA	3/8-16 X 1 3/8 HHCS.		
8	37707114	4 EA	3/8 SPLIT RING LOCKWASHER		
9		1 EA	CERTIFICATION PLATE		
10	SEE NOTE 2	1 EA	LENS PROTECTOR		
11	37411535	2 EA	3/8 X 16 X 1 1/4 HHCS.		
12	1100406	1 EA	BULB SOCKET PAD & SOCKET		
13	37017191	2 EA	#6-32 X 3/8 PAN HD. MACH. SCREW		
14					
15	1106003	1 EA	BULB		
16		2 EA	LENS SIDE		
17		1 EA	LENS FRONT		
18		2 EA	LENS RETAINER		
19		12 EA	1/4-20 X 1/2		
20		1 EA	COMPRESSION SPRING		
21	37017175	1 EA	#6-32 X 1/2 PHMS.		
22	37705605	1 EA	#6 SPLIT RING LOCKWASHER		
23		1 EA	HOLDING PLATE		
24		1 EA	3/8 ASBESTOS ROPE 8" LONG		

OVERALL DIMENSIONS: 7-7/16" WD. X 7-3/8" LG. X 4-1/4" HIGH



- NOTES: 1) ITEMS 5 & 6 CAN BE ORDERED AS A KIT PART NO. 3020 9027
- 2) ITEMS 7, 8, & 10 CAN BE ORDERED AS A KIT PART NO. 3020 9001.

REV	ECN	BY	DATE	REV	ECN	BY	DATE
(E)				(L)			
(D)	X968	LH	10-18-01	(K)			
(C)	T419	SAS	7-10-98	(H)			
(B)	P344	SAW	5-15-92	(G)			
(A)	611	JMS	1-10-88	(F)			

-NOTICE-  
TO ALL PERSONS RECEIVING THIS DRAWING  
This drawing contains confidential information  
and is issued in confidence on the conditions  
that it be returned on demand and not be  
copied, reproduced, disclosed to others or  
used in the manufacture of the subject matter  
thereof without the consent of Eimco LLC.

Drawn on CAD

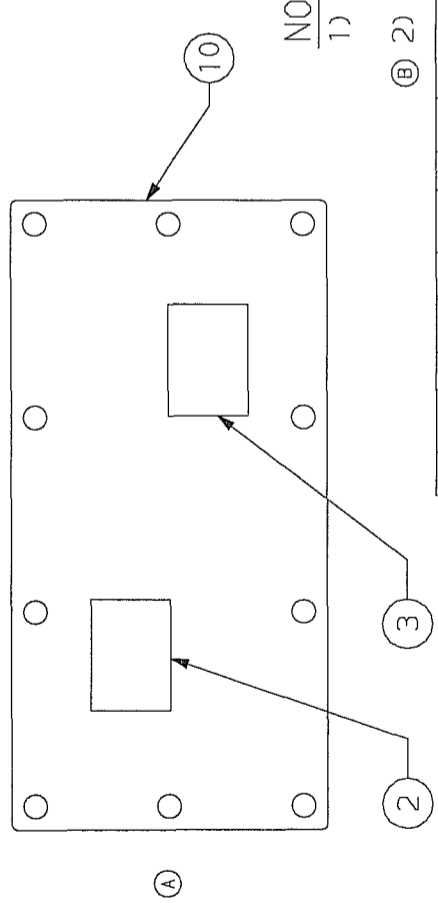
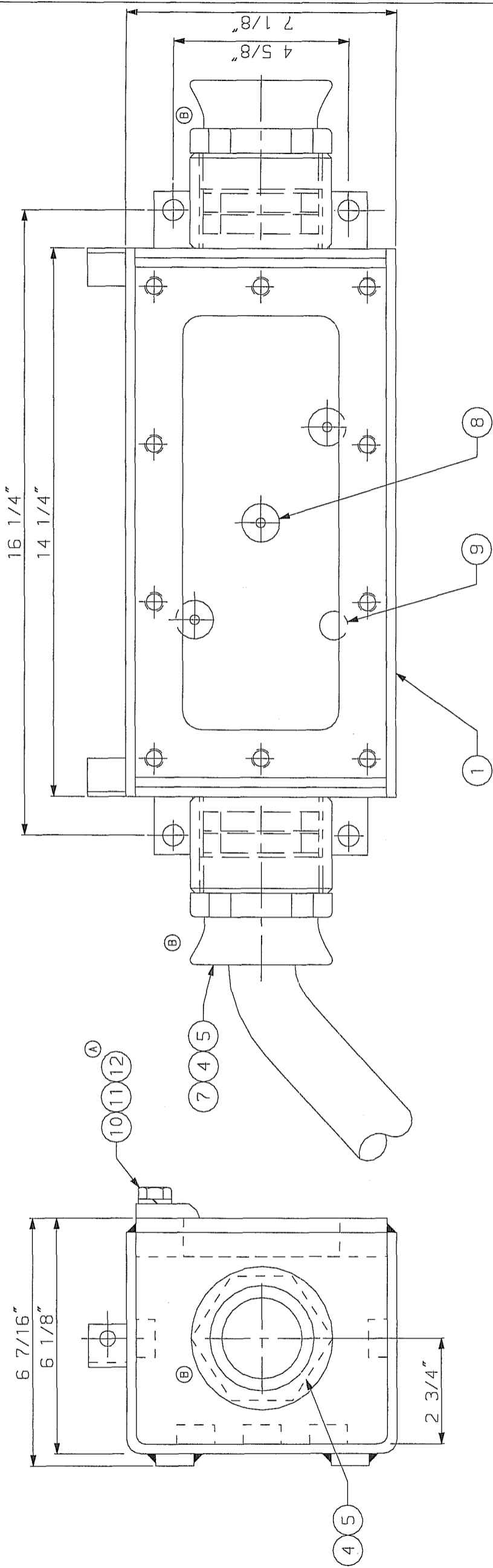
EIMCO  
A SANDVIK COMPANY

EIMCO LLC  
P.O. BOX 1100  
BLUEFIELD WV 24701-1100  
304-327-0260

Copyright 1996

UNLESS OTHERWISE NOTED ALL DIMENSIONS ARE IN INCHES DECIMALS .005" FRACTIONS 1/16" TOLERANCE ANGLES ± 30 MINUTES FABRICATION TOL ± 1/16" DATE 7-2-85 MODEL XXXX DRAWN JLR WEIGHT XXXX CHECKED G. BATES SCALE 3/8 DO NOT SCALE	NEXT ASSY.	REV
TITLE AR-100 LAMP ASSEMBLY		D
DWG No./PART No. 30187538		C

ITEM NO.	PART NO.	QTY U/M	DESCRIPTION	BM	DWG. SIZE
1	5120056	1 EA	ENCLOSURE	-	X
2	99024737	1 EA	X/P TAG, MSHA	-	-
3	99024739	1 EA	CFR 30 TAG	-	-
4	1190470	2 EA	NUT, BELLMOUTH	-	-
5	1470026	4 EA	BUSHING	-	-
6	.	.	.	-	-
7	1500005	AS REQD	FT PACKING, 1/2" FIBER	-	-
8	1460069	3 EA	INSULATOR, LINE	-	-
9	1460070	1 EA	INSULATOR, G.C.	-	-
10	5120057	1 EA	COVER	-	-
11	37419017	10 EA	1/2-13 x 1 1/4" HHCS	-	-
12	37708013	10 EA	LOCKWASHER, 1/2"	-	-



Ⓐ PARTS CATALOG USE ONLY

ENCLOSURE ASSEMBLY IS A PURCHASED ITEM.  
ALL ITEMS ON B/M ARE PURCHASED AND/OR  
USED AS REFERENCE ONLY.

NOTES:

- 1) PURCHASED FROM SERVICE MACHINE CO. P/N 510-0023, CERTIFICATION NO. X/P 1607-30
- 2 GLANDS REQUIRED FOR #2/0-3C SHIELDED GC CABLE 2.00" OD. CABLE RANGE 1.752/2.123.
- Ⓑ 2) FOR CONNECTION BOX ASSEMBLY WITH STRAIGHT NON BELL MOUTH GLANDS SEE DRAWING 5120058

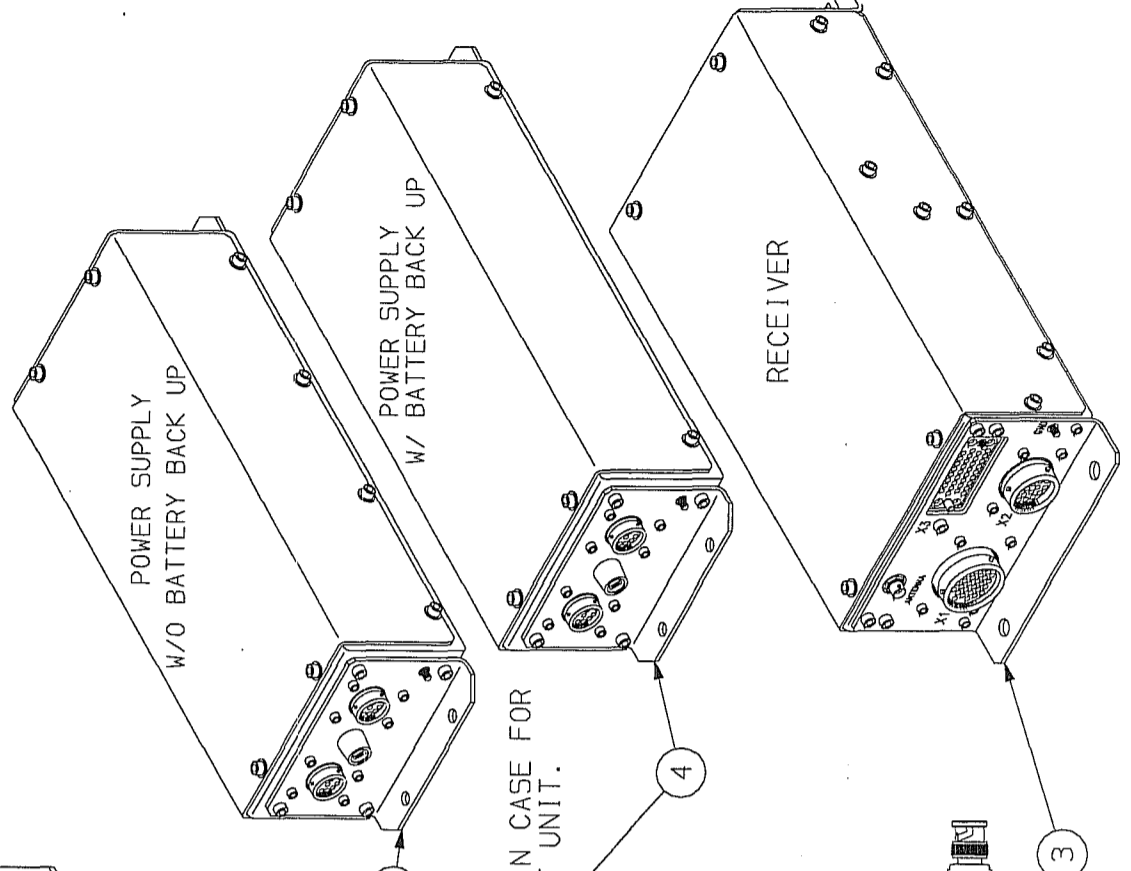
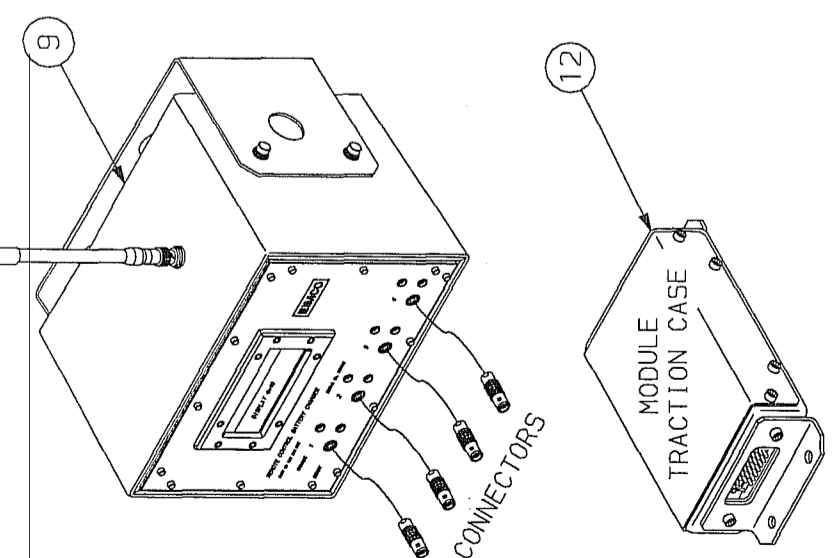
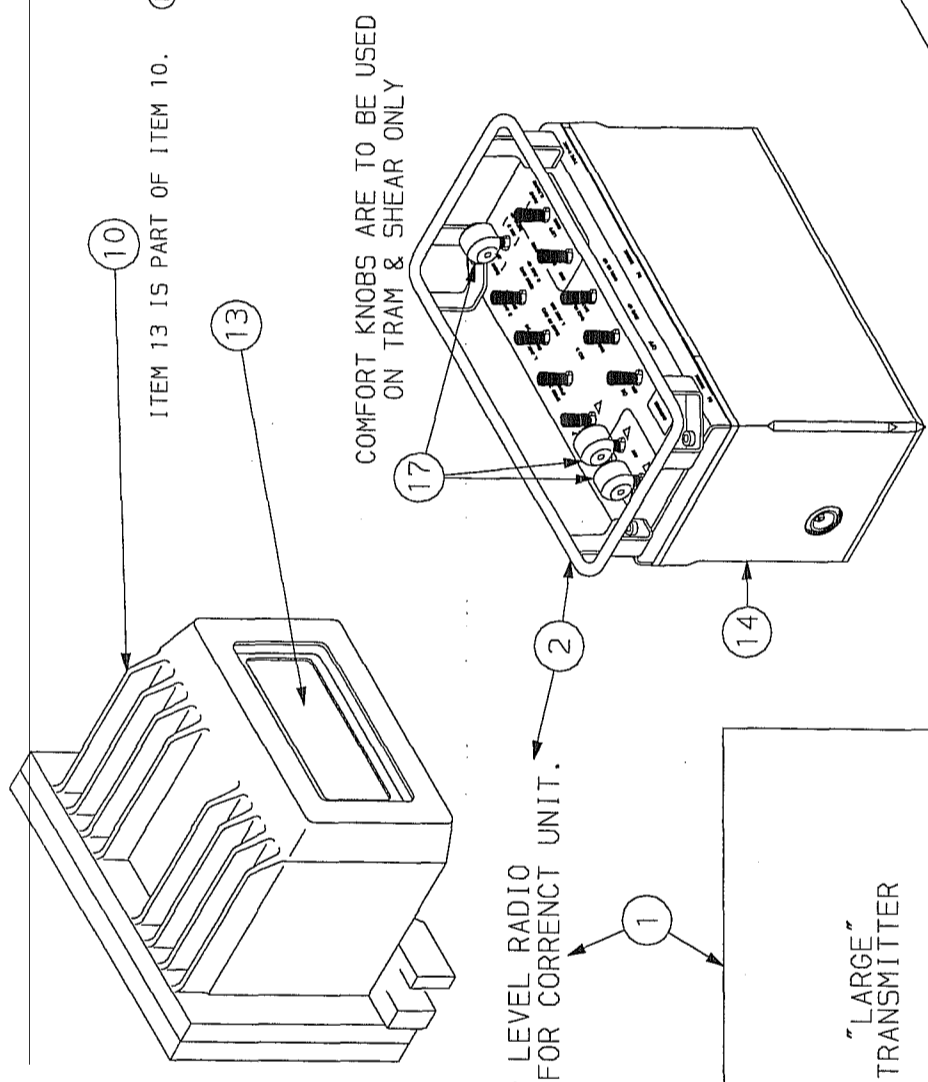
UNLESS OTHERWISE NOTED ALL DIMENSIONS ARE DECIMALS ± .005" TOLERANCE UNLESS OTHERWISE SPECIFIED		FABRICATION TOLERANCE		DATE: 04/23/90	
ROBIE ZBITO		DRAWN: FOX		CHECKED:	
SCALE: 1/2"		DO NOT SCALE		CHIEF ENGR	
Drawn on CAD		Copyright 1990		TITLE	
EIMCO		EIMCO LLC		CONNECTION BOX ASSEMBLY	
A SANDVIK COMPANY		P.O. BOX 1100		(BELL-MOUTH GLAND)	
BLUEFIELD WV 24701-1100		304-327-0260		DWG No./PART No.	
				5120030	
				C	

-NOTICE-  
TO ALL PERSONS RECEIVING THIS DRAWING  
This drawing contains confidential information  
and is issued in confidence on the conditions  
that it be returned on demand and not be  
copied, reproduced, disclosed to others or  
used in the manufacture of the subject matter  
thereof without the consent of Eimco LLC.

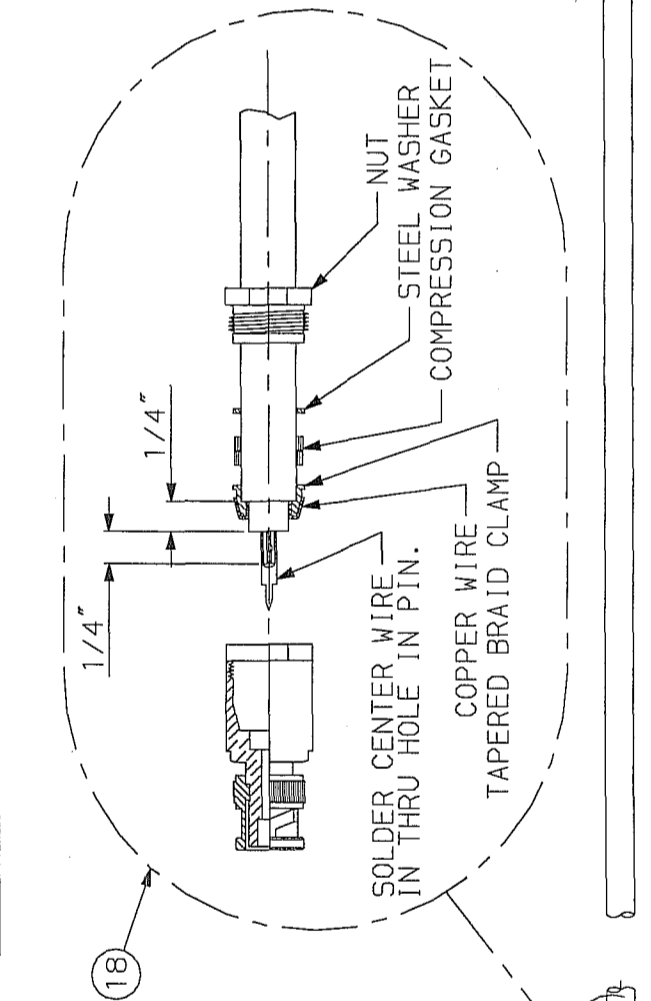
REV	ECN	BY	DATE	REV	ECN	BY	DATE
(E)				(L)			
(D)				(K)			
(C)				(H)			
(B)	Q921	LH	2-1-95	(G)			
(A)	P850	WHG	5-09-92	(F)			

BILL OF MATERIAL

ITEM NO.	PART NO.	QTY	U/M	DESCRIPTION	BM	DWG. SIZE
1	1490187	REF EA		TRANSMITTER LARGE SIZE		
2	1490192	REF EA		TRANSMITTER STANDARD		
3	1490199	REF EA		RECEIVER		
4	1650004	REF EA		POWER SUPPLY W/BAT B/U		
5	1490190	REF EA		POWER SUPPLY F/RECEIVER		
6	30169080	REF EA		BNC BULKHEAD ADAPTER		
7	30169767	REF EA		BNC ANGLE ADAPTOR		
8	1410911	REF EA		ANTENNA CABLE ASS'Y 25' X B		
9	1170529	REF EA		BATTERY CHARGER		
10	1650007	REF EA		DISPLAY & X/P ENCLOSURE		
11	1490176	REF EA		ANTENNA		
12	1650006	REF EA		MODULE TRACTION CASE		
13	1650009	REF EA		DISPLAY W/O XP ENCLOSURE		
14	1490177	REF EA		LEATHER CASE F/RADIO X B		
15	99026040	REF EA		FORCED POTATO FREQ. TAG		
16	99026041	REF EA		FORCED POTATO FREQ. TAG		
17	1490200	REF ST		COMFORT KNOB		
18	30090138	REF EA		CONNECTOR		
19	1241045	REF EA		HEAT SHRINK TUBING		



COMFORT KNOBS ARE TO BE USED ON TRAM & SHEAR ONLY



OPERATOR SIDE ANTENNA SINGLE WHIP OPTION

INSTALL ON TRANSMITTER WHEN USING DIFFERENT FREQUENCIES.

UHF-01

UHF-02

UHF-03

UHF-04

Copyright 1999

Drawn on CAD

EIMCO LLC  
P.O. BOX 1100  
BLUEFIELD WV 24701-1100  
304-327-0260

A SANYUK COMPANY

UNLESS OTHERWISE NOTED ALL DIMENSIONS ARE IN INCHES. DECIMALS TO .005" TOLERANCE ANGLES ± 30 MINUTES FABRICATION TOL ± 1/16"

MODEL 2810 DATE 6-26-99 DRAWN LH CHECKED KN DO NOT SCALE

REV ECN BY DATE REV ECN BY DATE

(E)	X391	LH	2-2-01	(L)	Y280	LH	5-6-07
(D)	X278	LH	12-5-00	(K)	Y141	LH	2-5-02
(C)	X166	LH	10-2-00	(H)	X902	LH	9-27-01
(B)	W900	LH	5-18-00	(G)	X625	LH	5-14-01
(A)	W711	LH	2-7-00	(F)	X395	LH	2-5-01

TO ALL PERSONS RECEIVING THIS DRAWING - NOTICE - This drawing contains confidential information and is issued in confidence on the conditions that it be returned on demand and not be copied, reproduced, disclosed to others or used in the manufacture of the subject matter thereof without the consent of Eimco LLC.

NEXT ASSY. 1490174

TITLE FORCED POTATO RADIO PARTS SUMMARY

DWG No./PART No. 1490175

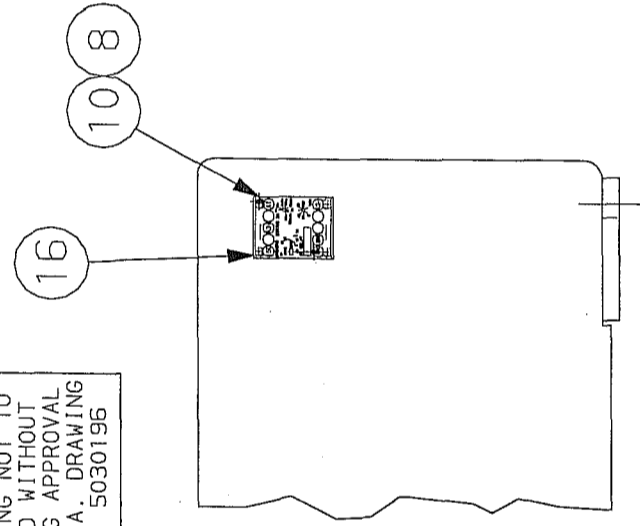
REV L

DWG SIZE C

BILL OF MATERIAL

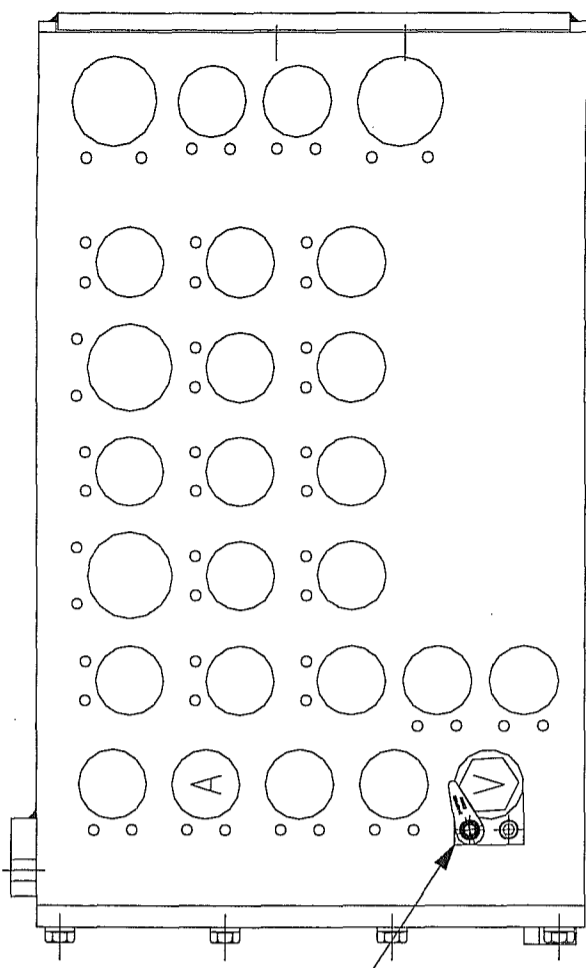
ITEM NO.	PART NO.	QTY	U/M	DESCRIPTION	BM	DWG. SIZE
1	37559703	2	EA	3/8-16X7/8" SHCS	.	.
2	19402916	18	FT	CABLE #16-2C 600V 50	.	D
3	30066666	1	EA	BOX STUFFING	.	.
4	30045082	1	EA	CLAMP	.	.
5	30067516	1	EA	AC ISR RELAY	.	.
6	3430336	1	EA	GLAND	.	.
7	50041318	168	IN	CONDUIT 5/8" HOSE	.	.
8	37559966	6	EA	#8-32X5/16" SRHM	.	.
9	37704418	2	EA	FLAT WASHER	.	.
10	37705910	6	EA	#8 LOCKWASHER	.	.
11	71205066	2	EA	O-RING	.	.
12	1610593	1	EA	SCHEMATIC DIAGRAM	.	.
13	37707189	1	EA	3/8" LOCKWASHER	.	.
14	21067038	1	EA	LOCKING TAB	.	B
15	37710365	1	EA	3/8" HI COLLAR LW	.	.
16	1420021	1	EA	TIME DELAY RELAY	.	.

THIS DRAWING NOT TO BE CHANGED WITHOUT ENGINEERING APPROVAL  
 REF. M.S.H.A. DRAWING X/P-3645-1 5030196



BACK SIDE OF SWING PANEL


- 15
- 14
- 13
- 11
- 7
- 6
- 4
- 3
- 2
- 1



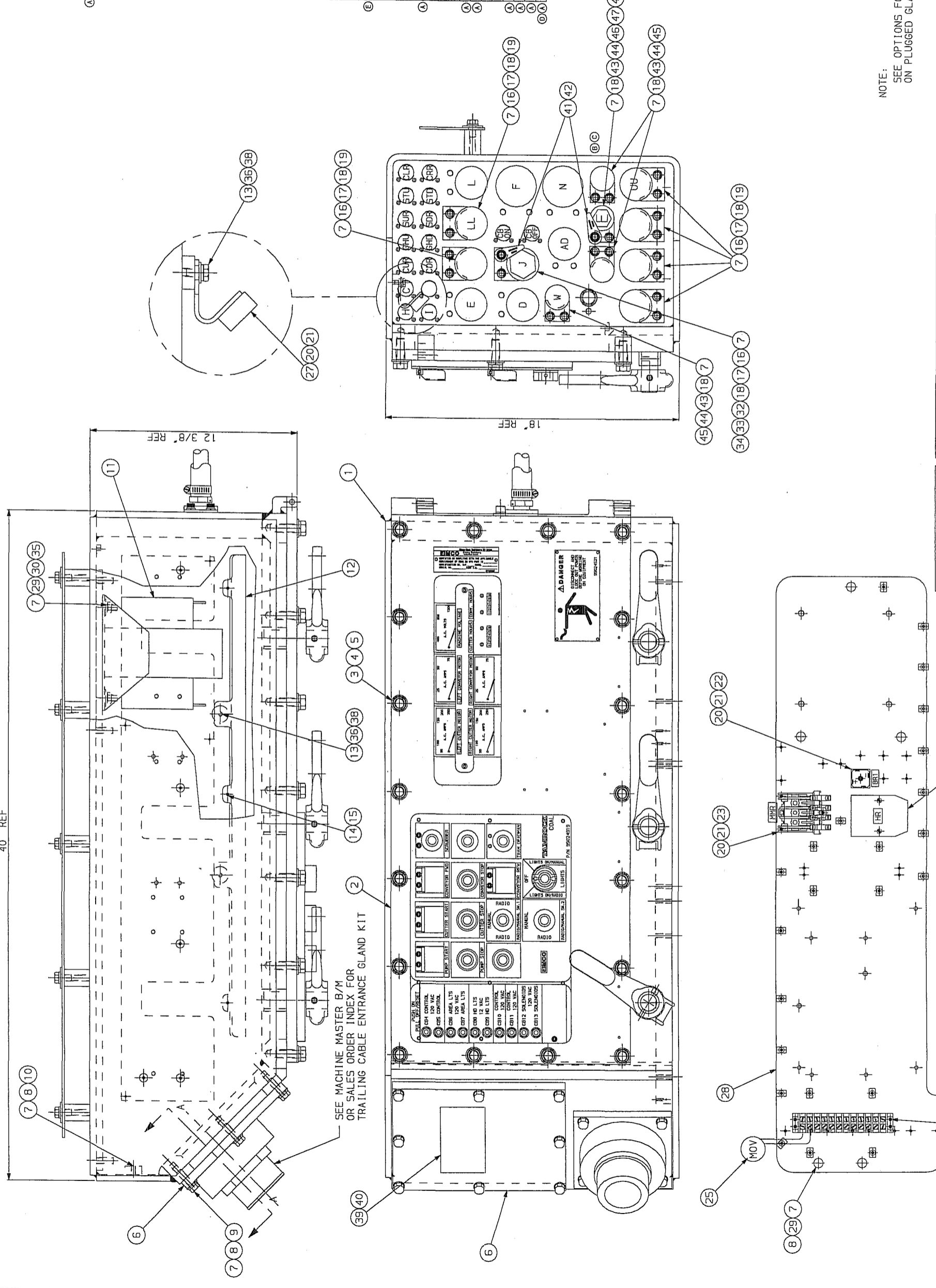
- 10
- 9
- 8
- 5

REV	ECN	BY	DATE	REV	ECN	BY	DATE
(A)	V889	LH	2-15-99	(F)			
(B)				(G)			
(C)				(H)			
(D)				(K)			
(E)				(L)			

Drawn on CAD		Copyright 1998	
 EIMCO LLC P.O. BOX 1100 BLUEFIELD WV 24701-1100 304-327-0260 A SANDVIK COMPANY			
-NOTICE- TO ALL PERSONS RECEIVING THIS DRAWING This drawing contains confidential information and is issued in confidence on the conditions that it be returned on demand and not be copied, reproduced, disclosed to others or used in the manufacture of the subject matter thereof without the consent of Eimco LLC.			
UNLESS OTHERWISE NOTED ALL DIMENSIONS ARE IN INCHES DECIMALS ± .005" FRACTIONS ± 1/64" TOLERANCE ANGLES ± 30 MINUTES FABRICATION TOL ± 1/16"		NEXT ASSY. MATRIX TITLE ASSEMBLY MAIN CASE OPTION -LC LOW OIL W/CUTTER ID SHUTDOWN	
MODEL 2810	DATE 11-19-98	DRWN LH	DWG No./PART No.
WEIGHT	CHECKED KN	1410524	DWG SIZE
SCALE 3/16	CHIEF ENGR KN		B
DO NOT SCALE			

ITEM NO.	PART NO.	QTY/U/M	DESCRIPTION	DMG. SIZE
1	5030241	1	EA OPERATOR CASE, MACHINED	X D
2	50246564	1	EA COVER ASSY	X D
3	37701794	18	EA 1/2" FLAT WASHER	X D
4	37708013	18	EA 1/2" LOCK WASHER	X D
5	37419462	18	EA 1/2-13X1 1/2" HHCS	X B
6	60243076	1	EA COVER SMALL	X B
7	37707189	37	EA 3/8" LOCKWASHER	X B
8	37713364	9	EA 3/8" FLAT WASHER NARROW	X B
9	37411816	8	EA 3/8-16x 1 1/4" HHCS	X B
10	37409810	1	EA 3/8-16x 1 1/4" HHCS	X B
11	1180059	1	EA CONTROL TRANSFORMER	X B
12	60244580	1	EA TERMINAL STRIP MOUNT	X B
13	37400512	2	EA 1/4-20x1/2" HFSC CADPL	X B
14	99024826	54	EA WIRE TIE MOUNT	X B
15	37017290	54	EA B-32X1/4" PHMS	X B
16	71205066	7	EA 2" O-RING	X B
17	30045082	7	EA 2" STUFFING BOX CLAMP	X B
18	37559703	22	EA 3/8-16 X 7/8" SHCS	X B
19	30087183	6	EA 2" PLUG	X B
20	37491826	18	EA B-32X 1/2" RHMS	X B
21	37705910	18	EA #8 LOCKWASHER	X B
22	30013395	1	EA BRIDGE RECTIFIER	X B
23	1060205	1	EA RELAY MNR	X B
24	30061105	1	EA RELAY HR	X B
25	30175939	1	EA MOV 150V	X B
26	30153647	1	EA TERMINAL STRIP 12 PT	X B
27	3015246	2	EA TERMINAL STRIP 24 PT	X B
28	60245619	1	EA BACK PANEL	X B
29	37102423	9	EA NUT 3/8" -16	X B
30	37559987	4	EA SET SCREW 3/8-16X1 1/4 CADPL	X B
31	71209019	1	EA 4 1/2" O-RING	X B
32	3430508	1	EA STUFFING GLAND ASSY	X B
33	30066666	1	EA STUFFING BOX 2"	X B
34	74401902	1	EA CLAMP HOSE	X B
35	37713365	4	EA 3/8" FN WIDE O.D.	X B
36	37706512	2	EA 1/4" LOCKWASHER CADPL	X B
37	74401779	2	EA HOSE CLAMP	X B
38	37700218	2	EA 1/4" FLATWASHER CADPL	X B
39	37020021	4	EA #6-1/4 LG DRIVE SCREW	X B
40	99024521	1	EA TAG, ELECTRICAL HAZARD	X B
41	21067038	2	EA LOCKING TAB	X B
42	37710365	2	EA HI COLLAR LV 3/8"	X B
43	3430491	4	EA STUFFING BOX CLAMP 1 1/2"	X B
44	71202618	4	EA 1 1/2" O-RING	X B
45	3430473	3	EA PLUG 1 1/2"	X B
46	3430471	1	EA 1 1/2" STUFFING BOX	X B
47	1500004	1	FT 1/4" PACKING	X B
48	3430507	1	EA GLAND ASSY STRAIGHT	X B



REV	BY	DATE	REV	BY	DATE	REV	BY	DATE
①			①			①		
②			②			②		
③			③			③		
④			④			④		
⑤			⑤			⑤		
⑥			⑥			⑥		
⑦			⑦			⑦		

NOTICE: THIS DRAWING IS THE PROPERTY OF EIMCO AND IS LOANED TO YOU FOR YOUR INFORMATION ONLY. IT IS TO BE RETURNED TO EIMCO WITHIN 30 DAYS OF THE DATE OF RECEIPT. NO PART OF THIS DRAWING IS TO BE REPRODUCED OR TRANSMITTED IN ANY FORM OR BY ANY MEANS, ELECTRONIC OR MECHANICAL, INCLUDING PHOTOCOPYING, RECORDING, OR BY ANY INFORMATION STORAGE AND RETRIEVAL SYSTEM, WITHOUT THE WRITTEN PERMISSION OF EIMCO.

THIS DRAWING NOT TO BE CHANGED WITHOUT ENGINEERING APPROVAL REF. M. S. H. A. DRAWING X/P-3951-0 5030159

Drawn on CAD Copy Right 1988

EIMCO EIMCO LLC  
P.O. BOX 1100  
BLUFFIELD NY 24701-1100  
304-327-0260

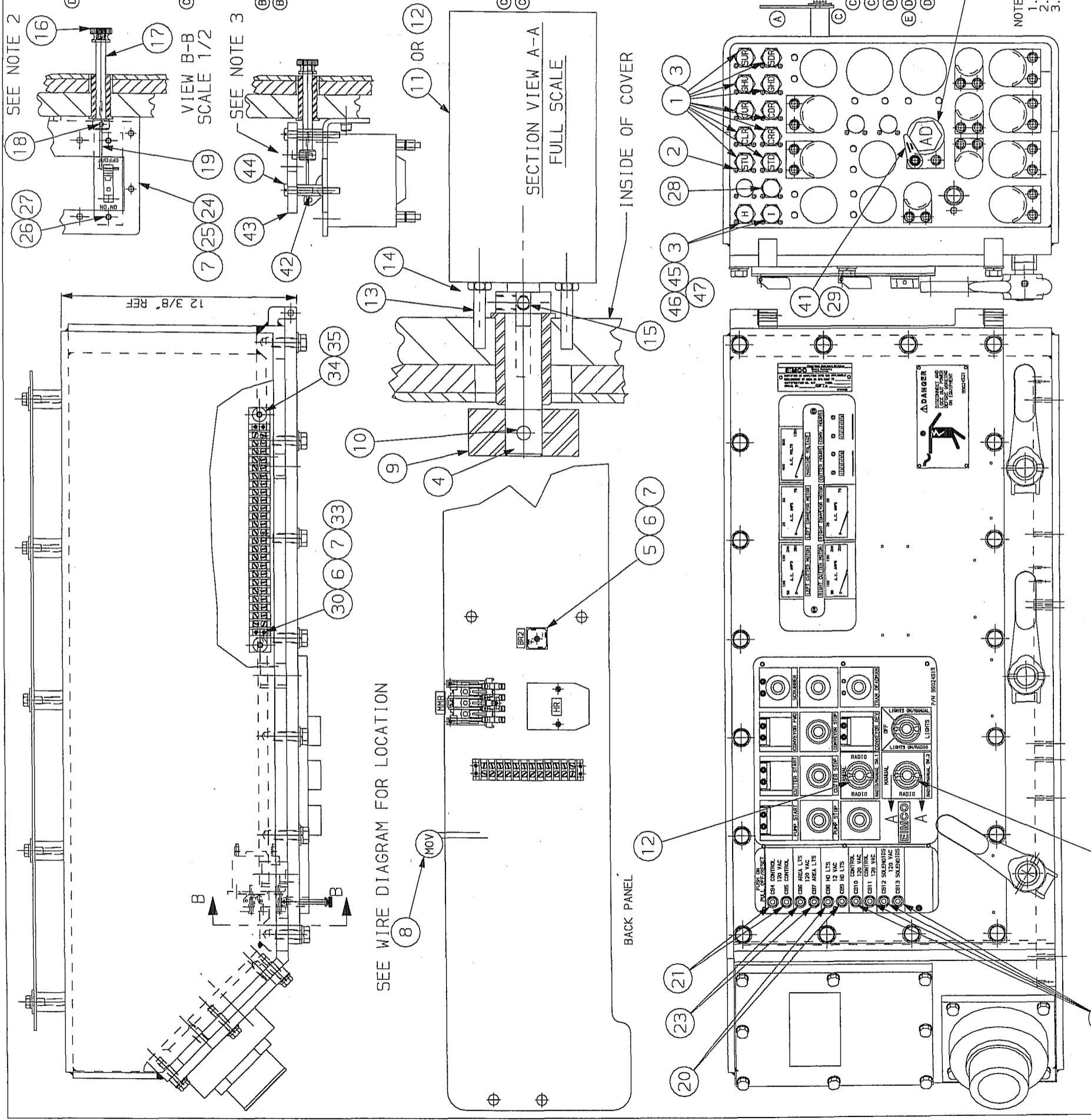
OPERATOR CASE -2  
STANDARD ASSEMBLY

DWG. NO. PART NO. 5030242

SEE OPTIONS FOR ADDITIONAL GLAND INFORMATION ON PLUGGED GLANDS TACKLED BOLTHEAD TO PLUG

BILL OF MATERIAL

ITEM NO.	PART NO.	QTY	U/M	DESCRIPTION	BM	DWG. SIZE
1	1500071	10	EA	PACKING GLAND	.	A
2	37552346	13	EA	1/4-20 SET SCREW CUP PT	.	.
3	1500004	12	FT	1/4" PACKING	.	.
4	60244388	2	EA	SHAFT, ROTARY SWITCH	.	B
5	30013395	1	EA	BRIDGE RECTIFIER	.	.
6	37491826	5	EA	#8-32X1/2" RHMS	.	.
7	37705910	8	EA	#8 LOCKWASHER	.	.
8	30175939	1	EA	MOV, 150V	.	.
9	3640160	2	EA	KNOB, ROTARY SWITCH	.	A
10	82915323	2	EA	GROOVE PIN 3/16X1" LG	.	.
11	1090418	1	EA	SWITCH ROTARY, RADIO 2	.	.
12	1090419	1	EA	SWITCH ROTARY, RADIO 1	.	.
13	37559875	4	EA	4MMX30MM HEX SKT SCR	.	.
14	37120525	4	EA	METRIC M4 CADPL HEX NUT	.	.
15	37559876	4	EA	10-32X1/4 HSKT SCCUP	.	.
16	99025048	10	EA	ROUND THUMB NUT	.	B
17	60247504	10	EA	BREAKER SHAFT	.	B
18	37500014	10	EA	SHCS 6-32X1/4"	.	.
19	99024993	10	EA	WIRE PUSH/PULL RESET	.	B
20	1150073	2	EA	BREAKER 20 AMP	.	.
21	1150074	2	EA	BREAKER 15 AMP	.	.
22	1150075	4	EA	BREAKER 5 AMP	.	.
23	1150076	2	EA	BREAKER 10 AMP	.	.
24	60250532	1	EA	PANEL MOUNT BREAKER	.	C
25	37500220	3	EA	8-32X3/8" SHCS	.	.
26	37490414	20	EA	RHMS 6-32X1/4"	.	.
27	37705613	20	EA	#6 LOCKWASHER	.	.
28	1500072	1	EA	PLUG	.	A
29	37710365	1	EA	HI COLLAR 3/8" LW CADPL	.	.
30	30155246	1	EA	TERMINAL STRIP 24 PT	.	.
31	71205066	1	EA	2" O-RING	.	.
32	74401902	1	EA	CLAMP, HOSE	.	.
33	0814548	1	EA	TERMINAL STRIP MOUNT	.	B
34	37400215	2	EA	1/4-20X3/8" HHCS	.	.
35	37706512	2	EA	1/4" LOCKWASHER	.	.
36	30045082	1	EA	STUFFING BOX CLAMP	.	A
37	37559703	2	EA	SHCS 3/8-16X7/8" CADPL	.	.
38	37707189	1	EA	3/8" LOCKWASHER	.	.
39	3430508	1	EA	STRAIGHT GLAND ASSY	X	B
40	30066666	1	EA	STUFFING BOX 2"	.	B
41	21067038	1	EA	LOCKING TAB	.	B
42	99026039	4	EA	STANDOFF 1/4" HEX 8-32	.	.
43	60250515	1	EA	GUARD	.	C
44	37559883	4	EA	SPHMS 8-32X1/2"	.	.
45	3430507	2	EA	STRAIGHT GLAND	.	B
46	50041318	552	EA	5/8" HOSE CONDUIT	.	.
47	74401779	2	EA	HOSE CLAMP	.	.



NOTE:  
 1. ON PLUGGED GLANDS TACKWELD BOLT HEAD TO PLUG  
 2. APPLY LOCKTITE TO THREADS AT INSTALLATION OF ITEM #16  
 3. LOCATE SET SCREW SO AS TO ENGAGE INTO SLOT MACHINED IN ITEM 43

36 37 38 39 40 32 31

REV	ECN	BY	DATE	REV	ECN	BY	DATE
E	Y486	LH	1-13-02	L			
D	X723	LH	6-20-01	K			
C	X611	LH	5-9-01	H			
B	X319	GR	1-4-01	G			
A	W618	LH	1-6-00	F			

Copyright 1999  
 EIMCO LLC  
 P.O. BOX 1100  
 BLUEFIELD WV 24701-1100  
 304-327-0260  
 A SIBBYK COMPANY

Drawn on CAD  
 EIMCO  
 A SIBBYK COMPANY

UNLESS OTHERWISE NOTED ALL DIMENSIONS ARE IN INCHES. FRACTIONS ± 1/64". FABRICATION TOL ± 1/16".  
 MODEL 2810 DATE B-24-99  
 WEIGHT DRAWN LH  
 SCALE 1/4" CHECKED KN  
 DO NOT SCALE CHIEF ENGR KN  
 NEXT ASSY. MATRIX  
 TITLE ASSEMBLY - 2 OPER CASE RADIO OPTION - FP FORCED POTATO RADIO  
 DWG No./PART No. 1410508  
 REV E

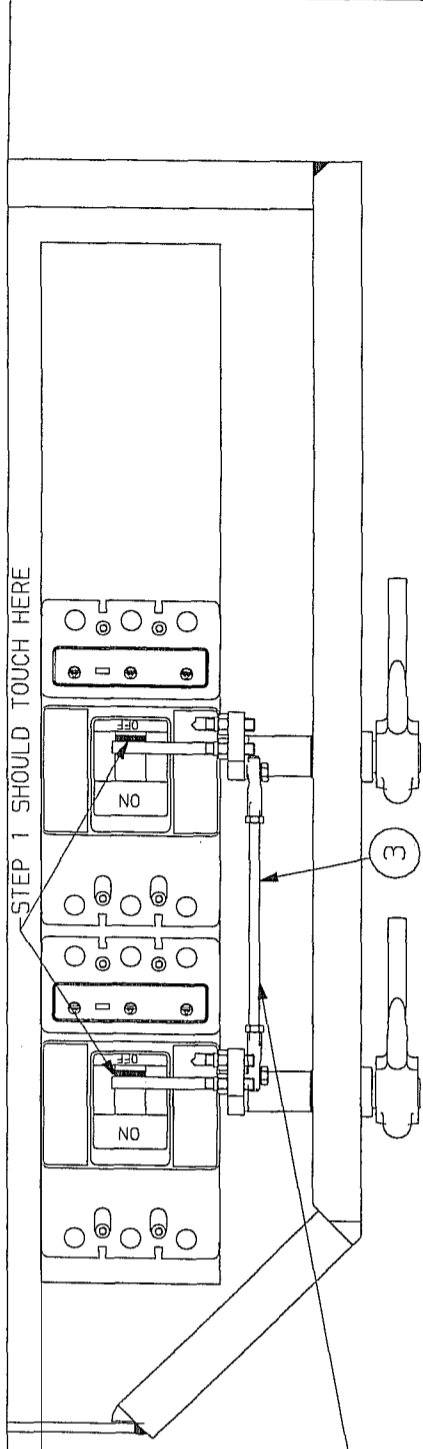
-NOTICE-  
 TO ALL PERSONS RECEIVING THIS DRAWING This drawing contains confidential information and is issued in confidence on the conditions that it be returned on demand and not be copied, reproduced, disclosed to others or used in the manufacture of the subject matter thereof without the consent of Eimco LLC.

ADJUSTMENT PROCEDURE FOR BREAKER LINKAGE

INSTALL & CONNECT HARDWARE AS SHOWN PER EACH STEP

STEP 1) SYNCHRONIZES BREAKERS CB1 & CB2

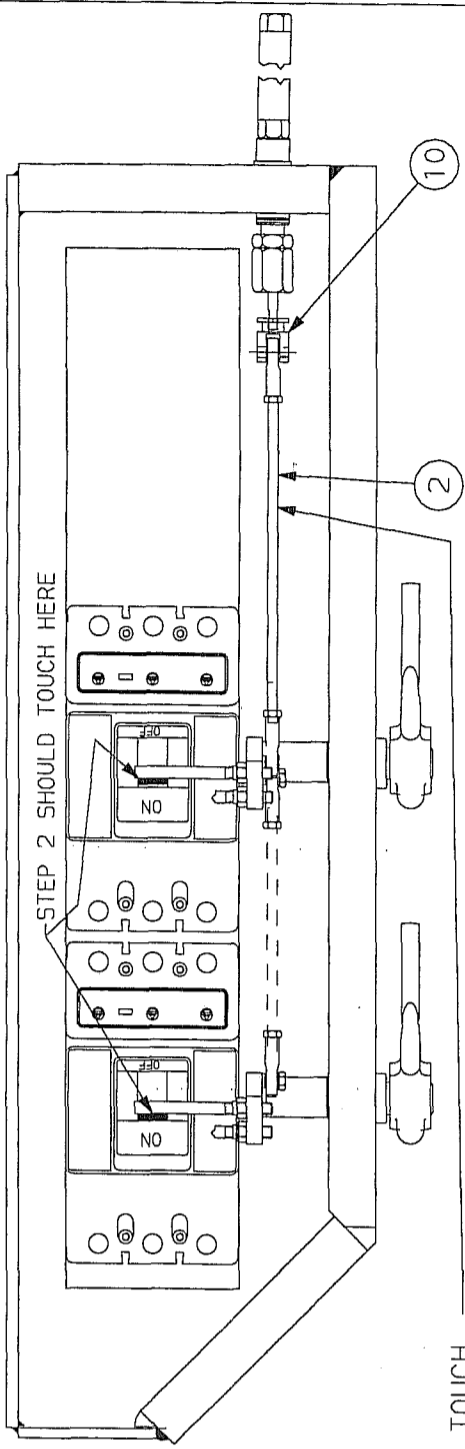
ADJUST CONNECTING ROD ③ SO THE LEFT OPERATING FINGER REST AGAINST THE LEFT SIDE OF PLASTIC BREAKER HANDLES WHEN IN THE OFF POSITION.



STEP 2) ADJUST CYLINDER "ON" STROKE

WITH CLEVIS ⑩ TIGHT ONTO CYLINDER ROD AND FULLY EXTENDED, ADJUST LENGTH OF ROD ② SO THE RIGHT OPERATING FINGERS TOUCH THE RIGHT SIDE OF PLASTIC BREAKER HANDLES (WHILE BREAKERS ARE ON)

DO NOT READJUST STEP 1 OR STEP 2 TO MAKE ALL RIGHT FINGERS TOUCH.

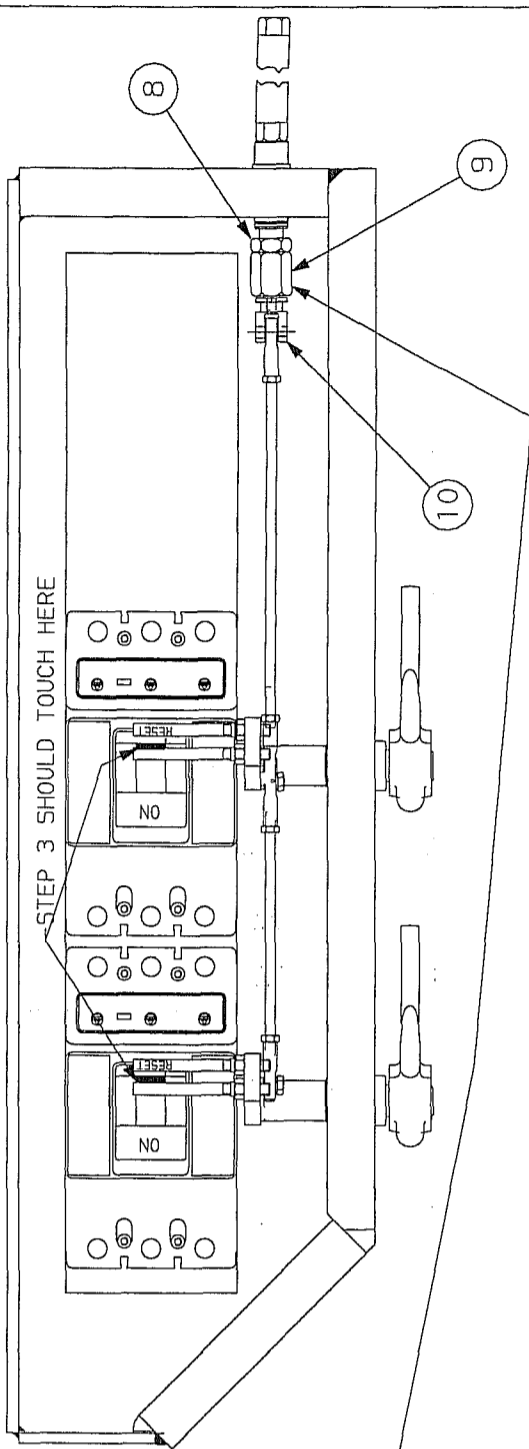


STEP 3) ADJUST CYLINDER "OFF" STROKE.

WITH ALL RODS INSTALLED, HOLD ALL BREAKERS IN THE "FULL RESET POSITION" AND ADJUST STOP NUT ⑧ UNTIL AGAINST CLEVIS ⑩. (SEE NOTE). TURN STOP NUT IN "TOWARDS CYLINDER", AN ADDITIONAL 1/4 TURN THEN LOCK IN PLACE WITH JAM NUT ⑨.

STEP 4) PROPER OPERATION

PUSH THE TRIP TEST BUTTON ON ALL BREAKERS AND VERIFY ALL BREAKERS RESET AND TURN ON & OFF PROPERLY.



NOTE: FULL RESET POSITION IS FURTHER TO THE RIGHT THAN OFF. THIS IS WHERE THE BREAKER WILL RELATCH AFTER A TRIP OPERATION.

REV	ECN	BY	DATE	REV	ECN	BY	DATE
①	Y453	LH	10-9-02	①			
②	Y054	LH	12-5-01	②			
③	X745	LH	7-24-01	③			
④	W622	LH	1-12-00	④			
⑤	V684	LH	0-12-98	⑤	Y476	LH	11-6-02

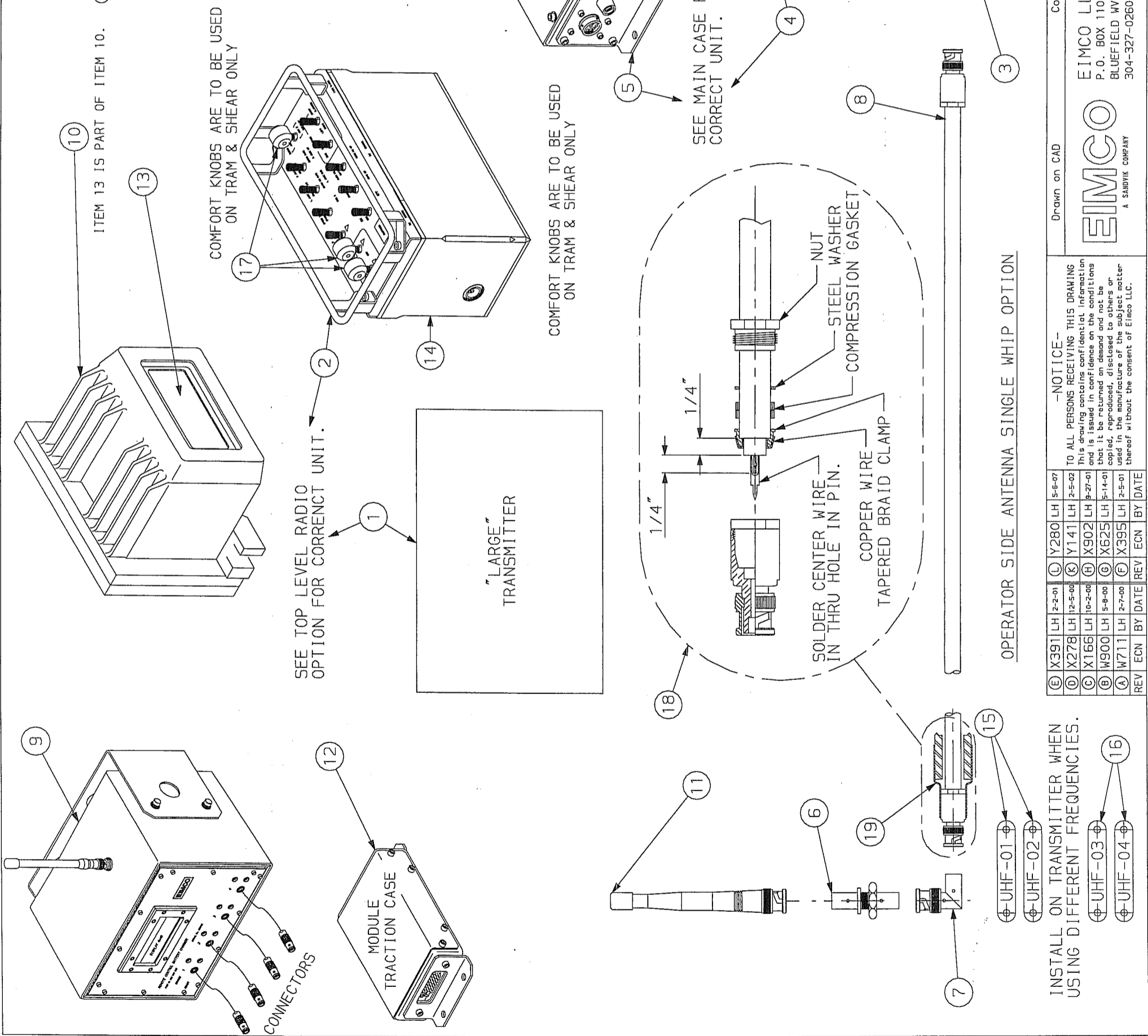
-NOTICE-  
TO ALL PERSONS RECEIVING THIS DRAWING  
This drawing contains confidential information  
and is issued in confidence on the conditions  
that it be returned on demand and not be  
copied, reproduced, disclosed to others or  
used in the manufacture of the subject matter  
thereof without the consent of Eimco LLC.

Drawn on CAD  
EIMCO  
A SANDVIK COMPANY  
EIMCO LLC  
P.O. BOX 1100  
BLUEFIELD WV 24701-1100  
304-327-0260  
Copyright 1997

UNLESS OTHERWISE NOTED ALL  
DIMENSIONS ARE IN INCHES  
MACHINE TOLERANCES ± 1/64"  
FRACTIONS ± 1/16"  
ANGLES ± 30 MINUTES  
FABRICATION TOL ± 1/16"  
DATE 11-25-97  
MODEL 2810  
HEIGHT  
SCALE 1/4  
DRAWN LH  
CHECKED KN  
DO NOT SCALE  
NEXT ASSY. MATRIX  
TITLE ASSEMBLY -2  
OPERATOR CASE OPTION  
OPTION BR2  
DWG No./PART No. 1410473.sh2  
DWG SIZE C  
REV F

BILL OF MATERIAL

ITEM NO.	PART NO.	QTY	U/M	DESCRIPTION	BM	DWG. SIZE
(F) 1	1490187	REF	EA	TRANSMITTER LARGE SIZE	.	.
(E) 2	1490192	REF	EA	TRANSMITTER STANDARD	.	.
(H)(E) 3	1490199	REF	EA	RECEIVER	.	.
(D) 4	1650004	REF	EA	POWER SUPPLY W/BAT B/U	.	.
(D) 5	1490190	REF	EA	POWER SUPPLY F/RECEIVER	.	.
(D) 6	30169080	REF	EA	BNC BULKHEAD ADAPTER	.	.
(D) 7	30169767	REF	EA	BNC ANGLE ADAPTOR	.	.
(K) 8	1410911	REF	EA	ANTENNA CABLE ASS'Y 25' X B	.	.
(K) 9	1170529	REF	EA	BATTERY CHARGER	.	.
(K) 10	1650007	REF	EA	DISPLAY & X/P ENCLOSURE	.	.
(K) 11	1490176	REF	EA	ANTENNA	.	.
(A) 12	1650006	REF	EA	MODULE TRACTION CASE	.	.
(A) 13	1650009	REF	EA	DISPLAY W/O XP ENCLOSURE	.	.
(A) 14	1490177	REF	EA	LEATHER CASE F/RADIO X B	.	.
(G) 15	99026040	REF	EA	FORCED POTATO FREQ. TAG	.	.
(G) 16	99026041	REF	EA	FORCED POTATO FREQ. TAG	.	.
(K) 17	1490200	REF	ST	COMFORT KNOB	.	.
(L) 18	30090138	REF	EA	CONNECTOR	.	.
(L) 19	1241045	REF	EA	HEAT SHRINK TUBING	.	B



INSTALL ON TRANSMITTER WHEN USING DIFFERENT FREQUENCIES.

UHF-01  
UHF-02  
UHF-03  
UHF-04

OPERATOR SIDE ANTENNA SINGLE WHIP OPTION

REV	ECN	BY	DATE	REV	ECN	BY	DATE
(E)	X391	LH	2-2-01	(C)	Y280	LH	5-6-07
(D)	X278	LH	12-5-00	(K)	Y141	LH	2-5-02
(C)	X166	LH	10-2-00	(H)	X302	LH	9-27-01
(B)	W900	LH	5-8-00	(G)	X625	LH	5-14-01
(A)	W711	LH	2-7-00	(F)	X395	LH	2-5-01

-NOTICE-  
TO ALL PERSONS RECEIVING THIS DRAWING  
This drawing contains confidential information  
and is issued in confidence on the conditions  
that it be returned on demand and not be  
copied, reproduced, disclosed to others or  
used in the manufacture of the subject matter  
thereof without the consent of Eimco LLC.

Drawn on CAD

**EIMCO**  
A SANDVIK COMPANY

EIMCO LLC  
P.O. BOX 1100  
BLUEFIELD WV 24701-1100  
304-327-0260

Copyright 1999

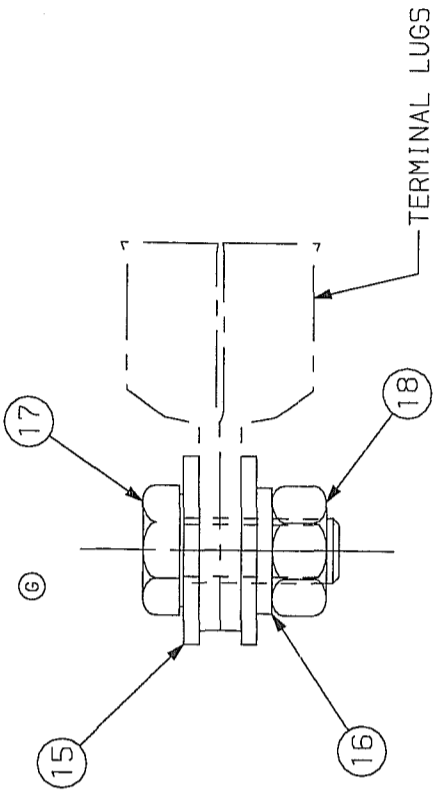
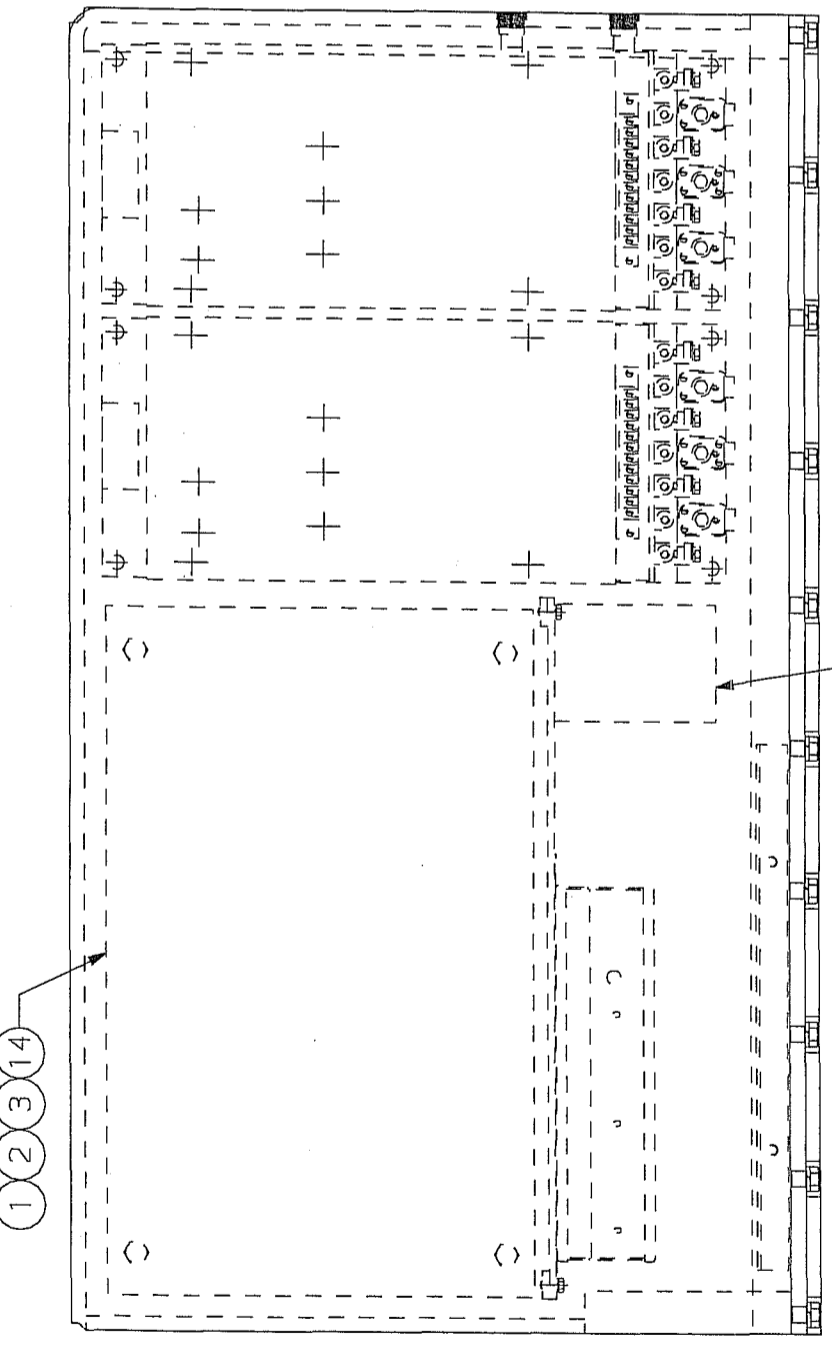
UNLESS OTHERWISE NOTED ALL DIMENSIONS ARE IN INCHES FRACTIONS 3/16"	DATE	DRAWN	CHECKED	ENGR	KN
MODEL 2810	DATE 6-26-99	DRAWN LH	CHECKED KN	ENGR KN	
SCALE					
DO NOT SCALE					
NEXT ASSY.	1490174				
TITLE	FORCED POTATO RADIO PARTS SUMMARY				
DWG No./PART No.	1490175				
DWG SIZE	C				

BILL OF MATERIAL

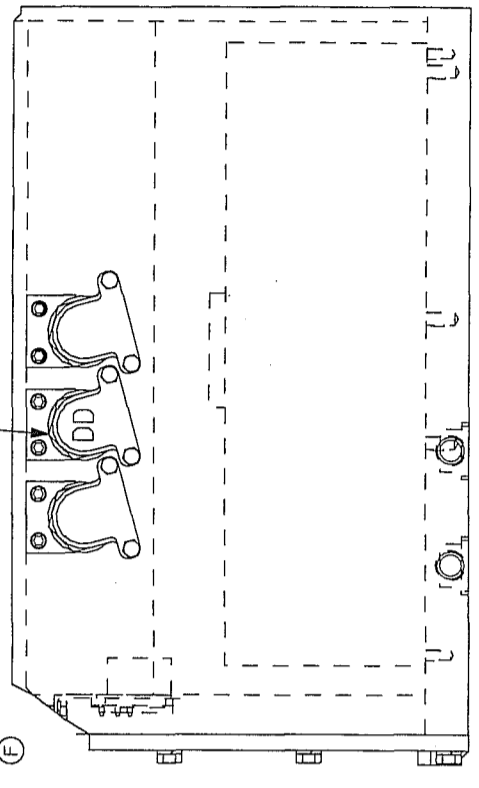
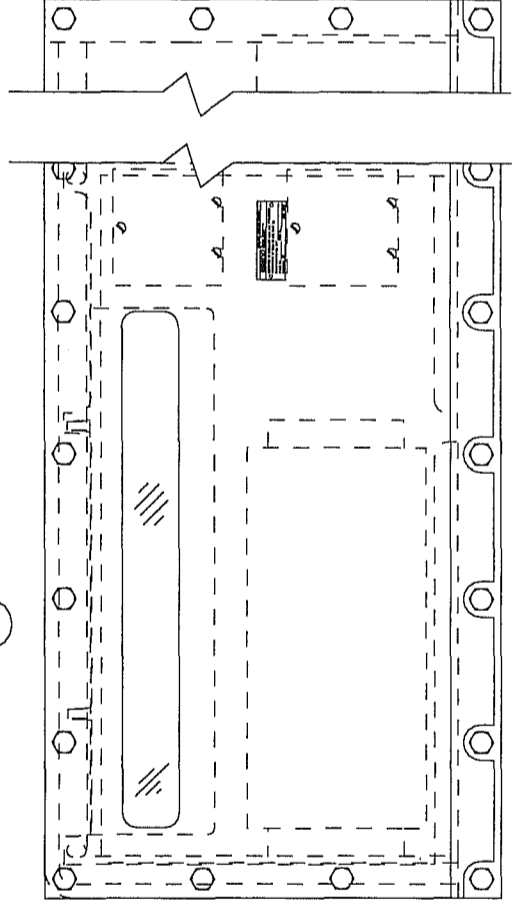
ITEM NO.	PART NO.	QTY/U/M	DESCRIPTION	DWG. SIZE	BM
1	1180055	1 EA	TRANSFORMER, 950 VOLT		
2	37418423	4 EA	1/2"-13 X 1" HHCS		
3	37708013	4 EA	1/2" LOCKWASHER		
4	3430452	2 EA	STUFFING BOX 2 1/2"		
5	30046684	2 EA	CLIP, STUFFING BOX		
6	1500005	4 FT	PACKING 1/2"		
7	30084867	2 EA	GLAND ASS'Y, ELBOW		
8	37559818	4 EA	3/8-16 x 7/8 HHCS		
9	37707189	4 EA	3/8 LOCKWASHER		
10	1231879	12 FT	#2-4 C EXANE CABLE		
11	50041912	120 IN	1 3/4" I.D. HOSE		
12	30107817	6 EA	HEATER FH 89		
13	71206288	2 EA	O-RING 2 1/2"		
14	99024843	1/8 GL	HEAT TRANSFER COMPOUND		
15	3356156	8 EA	1/4" FLATWASHER SS		
16	37706520	4 EA	1/4" LOCKWASHER SS		
17	37559006	4 EA	1/4-20X5/8" HHCS SS		
18	37101912	4 EA	1/4" SS NUT		

SEE NOTE 3

- NOTES: 1) FOR CABLE ROUTING AND LETTER DESIGNATION REFER TO ELECTRICAL INSTALLATION AND MACHINE CABLE OUTLINE DIAGRAM.  
 2) SUBSTITUTE 3/8" DIA PACKING SUPPLIED WITH ITEM #7 WITH 1/2" DIA PACKING ITEM #6  
 3) INSPECT BOTTOM OF TRANSFORMER AND REMOVE ALL BURRS WHICH WOULD PREVENT GOOD CONTACT WITH THE FLOOR OF THE ENCLOSURE.  
 4) USE ITEM 14 TO APPLY AN APPROX 1/16" COATING TO THE FLOOR OF THE CASE UNDER TRANSFORMER. USE TWO 1/4"X2" FLATBAR TO SLIDE TRANSFORMER ON DURING INSTALLATION, THEN REMOVE BARS.



LUGS IN TRAM MOTOR SCALE 2



- 4
- 5
- 6
- 7
- 8
- 9
- 10
- 11
- 12
- 13

UNLESS OTHERWISE NOTED ALL DIMENSIONS ARE IN INCHES. FRACTIONS  $\frac{1}{16}$ " ANGLES  $\pm 30$  MINUTES FABRICATION TOL  $\pm 1/16$ "

MODEL 2810-1, 2 DATE 3-23-93  
 WEIGHT  
 SCALE: NTS  
 DO NOT SCALE

Copyright 1993

EIMCO  
 A SHAWK COMPANY  
 EIMCO LLC  
 P.O. BOX 1100  
 BLUEFIELD WV 24701-1100  
 304-327-0260

TRAM CASE  
 RELIANCE TRAM MOTOR

DWG No./PART No.  
 1410296 C

REFERENCE MSHA DRAWING/MODEL 5030003, X/P-3645-0

-NOTICE-  
 TO ALL PERSONS RECEIVING THIS DRAWING This drawing contains confidential information and is issued in confidence on the conditions that it be returned on demand and not be copied, reproduced, disclosed to others or used in the manufacture of the subject matter thereof without the consent of Eimco LLC.

REV	ECN	BY	DATE	REV	ECN	BY	DATE
(E)	U647	LH	10-14-97	(L)			
(D)	T576	LH	9-11-96	(K)			
(C)	S105	LH	2-8-95	(H)			
(B)	S035	LM	1-17-95	(G)	X149	LH	9-27-00
(A)	R092	LH	12-15-93	(F)	W860	LH	4-12-00





CLICK HERE TO **DOWNLOAD** THE COMPLETE MANUAL

- Thank you very much for reading the preview of the manual.
- You can download the complete manual from: [www.heydownloads.com](http://www.heydownloads.com) by clicking the link below



- Please note: If there is no response to CLICKING the link, please download this PDF first and then click on it.

CLICK HERE TO **DOWNLOAD** THE COMPLETE MANUAL

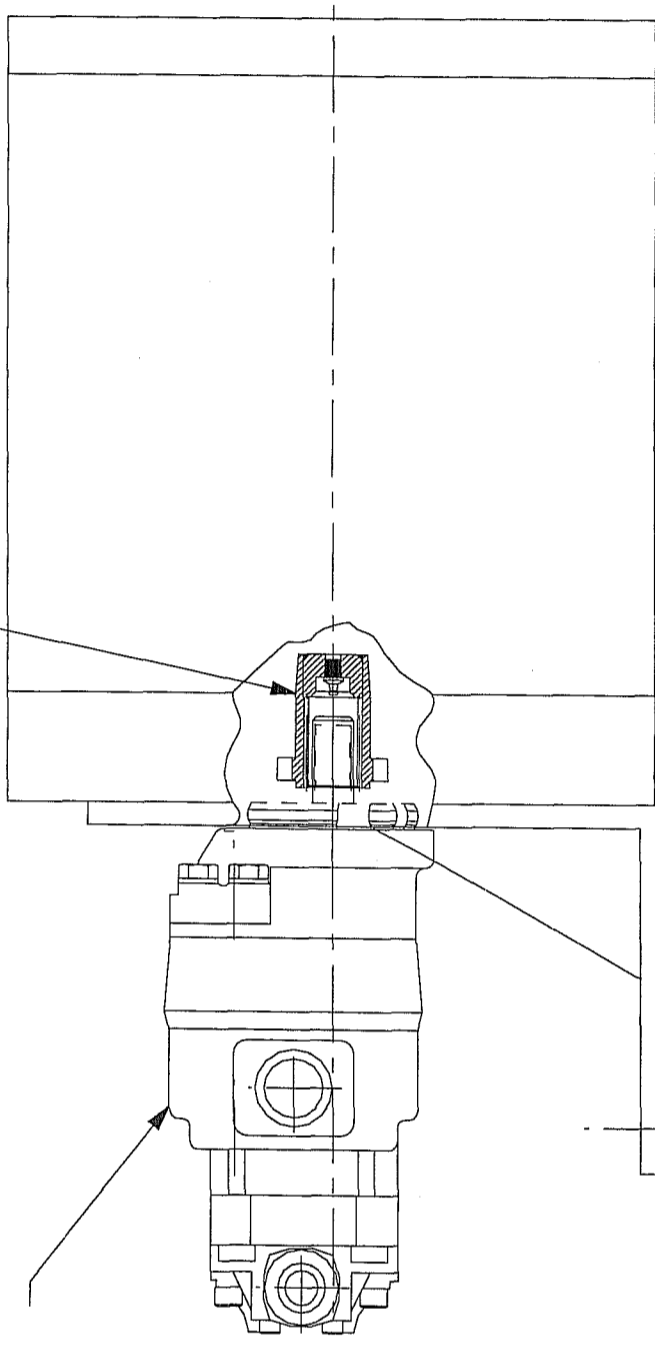
BILL OF MATERIAL

B/M No. 60250446

ITEM NO.	PART NO.	QTY	U/M	DESCRIPTION	BM	DWG. SIZE
1	60249837	REF	EA	COUPLING, MOTOR	X	B

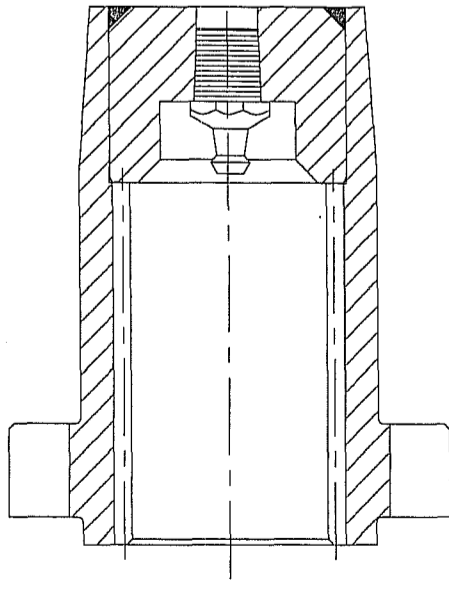
1  
 CTO REMOVE, CONNECT GREASE GUN AND PUMP.  
 TAP COUPLING WHILE GREASE PRESSURE IS APPLIED.  
 WARNING! UNIT UNDER PRESSURE, USE APPROPRIATE  
 CAUTION WHILE REMOVING.)

REF. 78044691  
 PUMP ASSY.  
 COMPLETE



REF. #60231589  
 PUMPSTAND ASSY.

REF. #1000329  
 PUMP MOTOR W/ 60249837 INSERT



60249837 INSERT (REF)

REV	ECN	BY	DATE	REV	ECN	BY	DATE
(E)	.	.	.	(L)	.	.	.
(D)	.	.	.	(K)	.	.	.
(C)	.	.	.	(H)	.	.	.
(B)	.	.	.	(G)	.	.	.
(A)	.	.	.	(F)	.	.	.

**-NOTICE-**  
 TO ALL PERSONS RECEIVING THIS DRAWING  
 This drawing contains confidential information  
 and is issued in confidence on the conditions  
 that it be returned on demand and not be  
 copied, reproduced, disclosed to others or  
 used in the manufacture of the subject matter  
 thereof without the consent of Eimco LLC.

Drawn on CAD  
 Copyright 2001  
**EIMCO**  
 A SANDVIK COMPANY  
 EIMCO LLC  
 P.O. BOX 1100  
 BLUEFIELD WV 24701-1100  
 304-327-0260

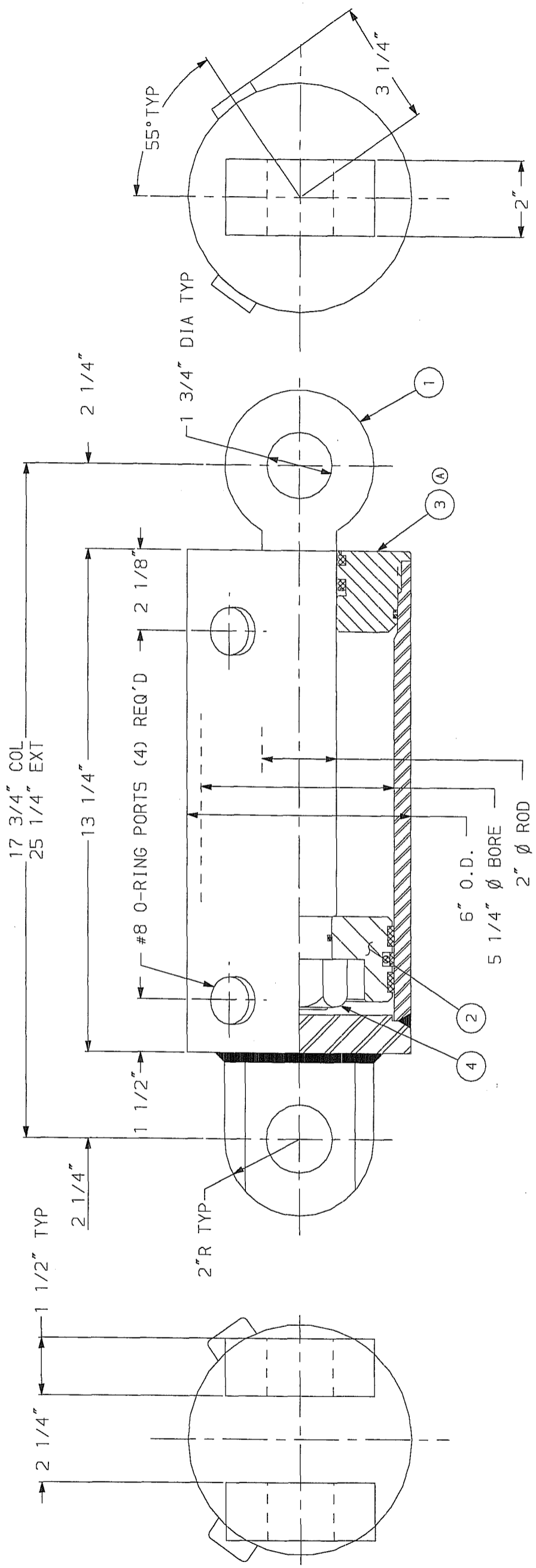
UNLESS OTHERWISE NOTED ALL DIMENSIONS ARE IN INCHES	DECIMALS ± .005"	FRACTIONS ± 1/64"	TOLERANCE ANGLES ± 30 MINUTES	FABRICATION TOL ± 1/16	MODEL DASH SERIES	DATE	3-23-01	DRWN	CMR	CHECKED	SPG	CHIEF ENGR	SPG
SCALE	NTS												
DO NOT SCALE													

TITLE	INST.	PUMP MOTOR COUPLING
		PUMP-MOTOR ASSY
		32/4 GPM PUMP CONVERSION
DWG No./PART No.		
		60250446
DWG SIZE		B

BILL OF MATERIAL

B/M No. 49002501

ITEM NO.	PART NO.	QTY/U/M	DESCRIPTION	BM	DWG. SIZE
1	49002681	1 EA	PISTON ROD	.	.
2	49002682	1 EA	PISTON	.	.
3	49002683	1 EA	GLAND	.	.
4	49002684	1 EA	SELF-LOCKING NUT	.	.
.	71015801	1 EA	SEAL KIT	.	.



PACKING KIT 7101-5801

REV	ECN	BY	DATE	REV	ECN	BY	DATE
E	.	.	.	L	.	.	.
D	.	.	.	K	.	.	.
C	.	.	.	H	.	.	.
B	X470	KTG	3/7/01	G	.	.	.
A	V246	ADS	4/27/98	F	.	.	.

**-NOTICE-**  
 TO ALL PERSONS RECEIVING THIS DRAWING  
 This drawing contains confidential information  
 and is issued in confidence on the conditions  
 that it be returned on demand and not be  
 copied, reproduced, disclosed to others or  
 used in the manufacture of the subject matter  
 thereof without the consent of Eimco LLC.

Drawn on CAD  
**EIMCO**  
 A SANDVIK COMPANY  
 EIMCO LLC  
 P.O. BOX 1100  
 BLUEFIELD WV 24701-1100  
 304-327-0260

Copyright 1988  
 UNLESS OTHERWISE NOTED ALL  
 DIMENSIONS ARE IN INCHES  
 MACHINE FRACTIONS ± 1/64"  
 TOLERANCE ANGLES ± 30 MINUTES  
 FABRICATION TOL ± 1/16"  
 MODEL 2810 DATE 5/23/88  
 WEIGHT DRAWN JAB  
 SCALE 1:2 CHECKED  
 DO NOT SCALE CHIEF ENGR

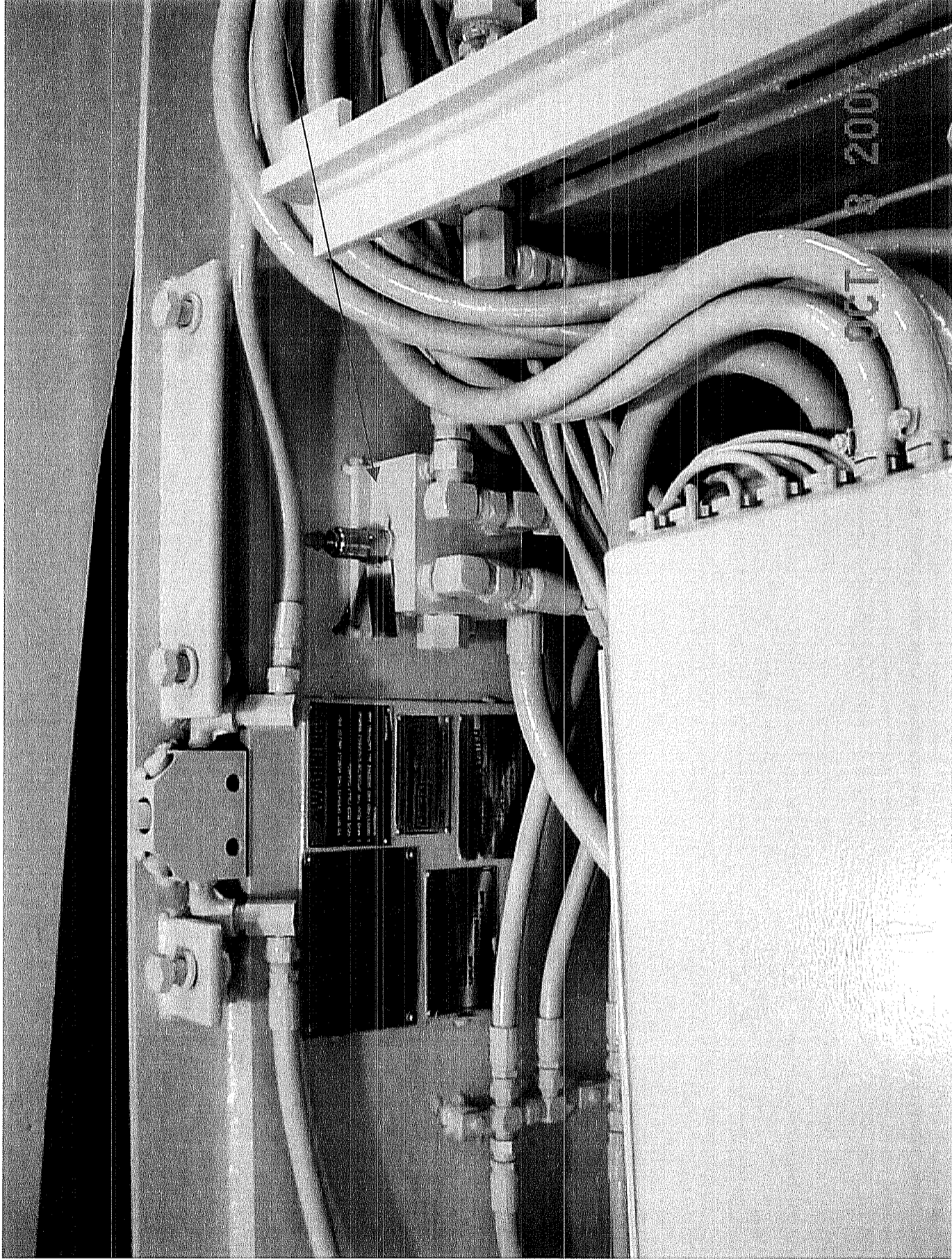
NEXT ASSY.	REV
	B

TITLE  
 STABILIZER/  
 GATHERING HEAD LIFT  
 CYLINDER

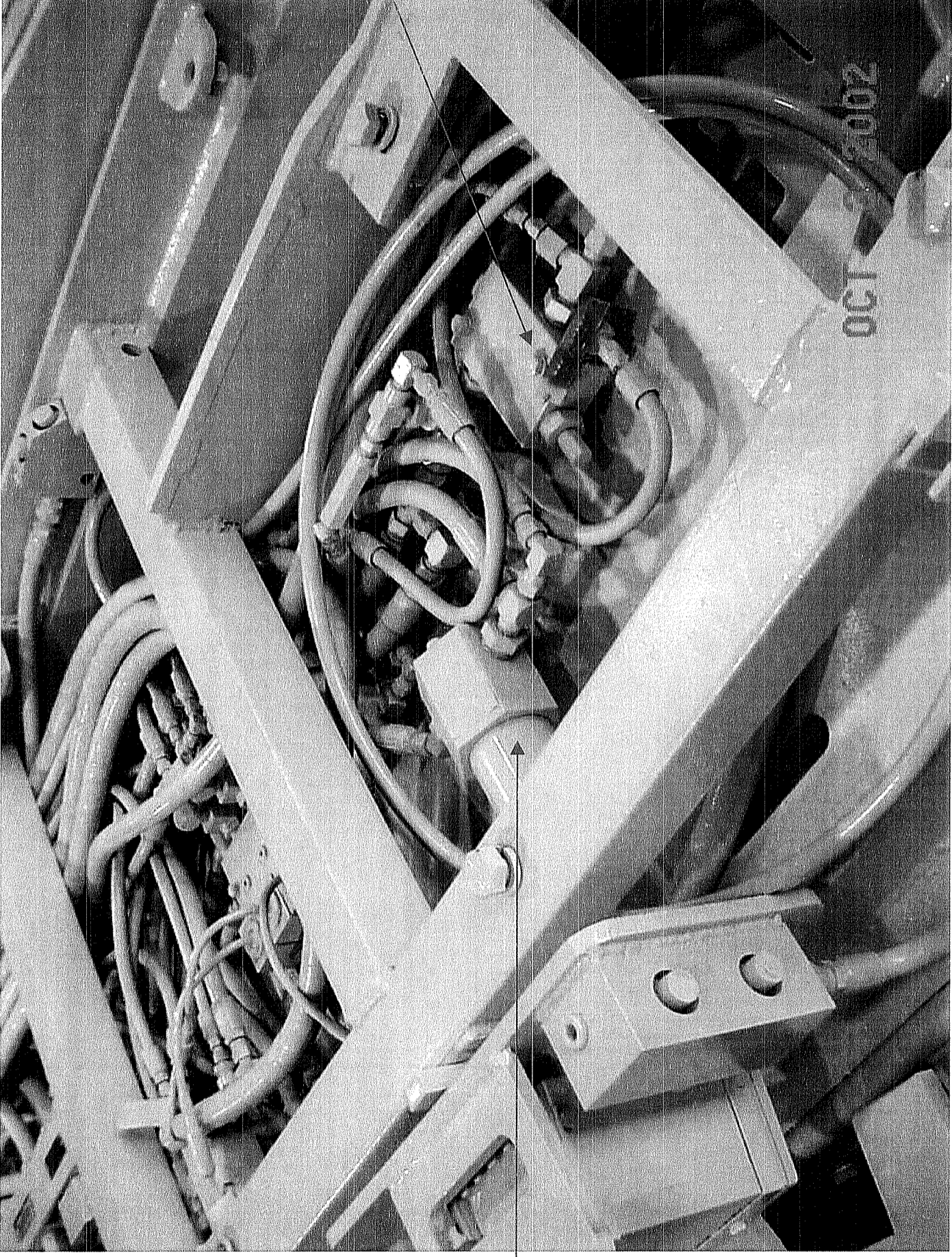
DWG No./PART No.  
 49002501

DWG SIZE  
 C

**SHEAR DOWN  
RELIEF**



**70880263 MVC-003F**



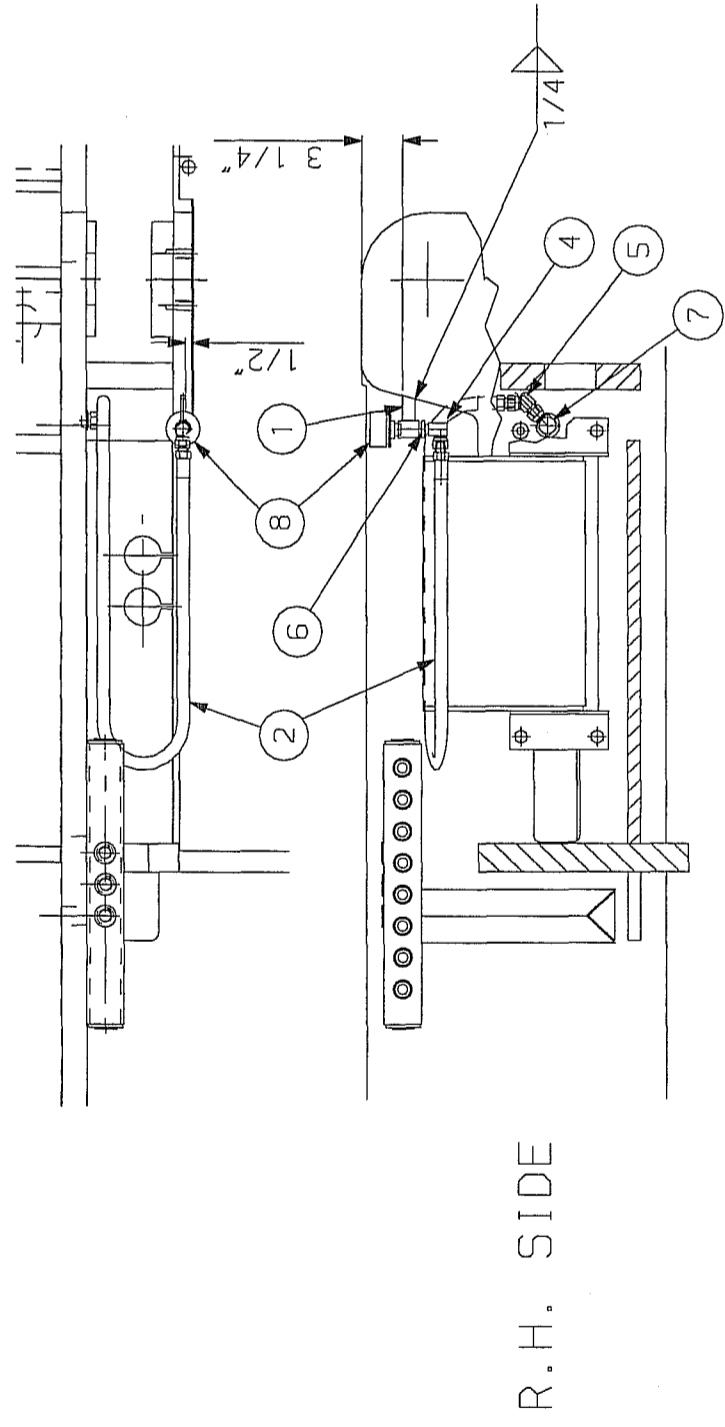
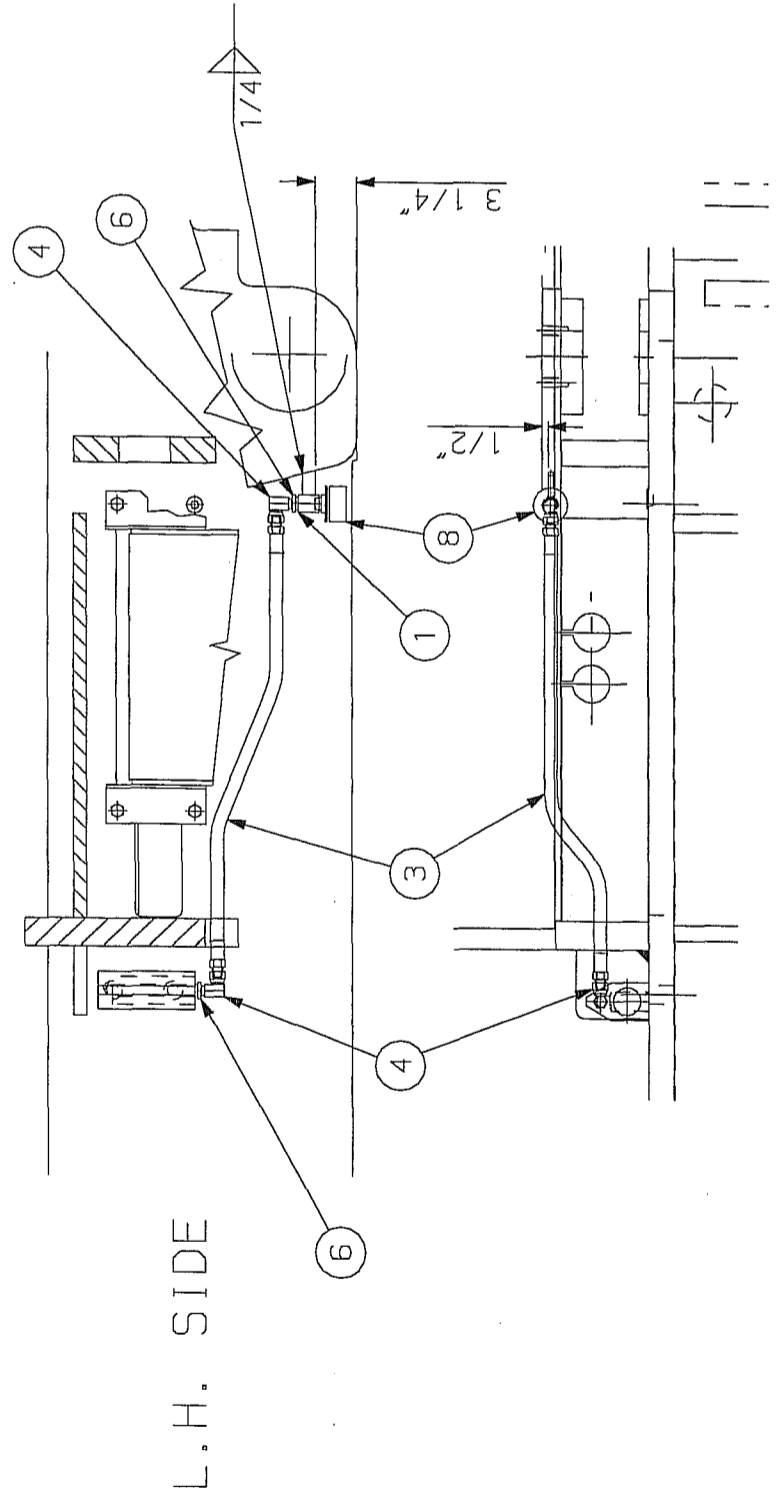
PAN ASSIST  
SEQ. VALVE

PILOT FILTER

70880263 MVC-008F

BILL OF MATERIAL

ITEM NO.	PART NO.	QTYU/M	DESCRIPTION	BM	DWG. SIZE
1	60244942	2	EA WELDMENT, BRACKET	X	B
2	2176109	1	EA HYD. HOSE, 1/2" x 60" MP	.	.
3	2176103	1	EA HYD. HOSE, 1/2" x 42" MP	.	.
4	50023514	3	EA FITTING, 1/2" SWIV. 90°	.	.
5	50024215	1	EA FITTING, 1/2" SWIV. 45°	.	.
6	50026814	3	EA REDUCER, 3/4"-1/2" PIPE	.	.
7	50023548	1	EA FITTING, 3/4"-1/2" 90°	.	.
8	92100486	2	EA BREATHER	.	.



REV	ECN	BY	DATE	REV	ECN	BY	DATE
E				L			
D				K			
C				H			
B				G			
A				F			

-NOTICE-  
TO ALL PERSONS RECEIVING THIS DRAWING  
This drawing contains confidential information  
and is issued in confidence on the conditions  
that it be returned on demand and not be  
copied, reproduced, disclosed to others or  
used in the manufacture of the subject matter  
thereof without the consent of Eimco LLC.

Drawn on CAD  
**EIMCO**  
A SANDVIK COMPANY

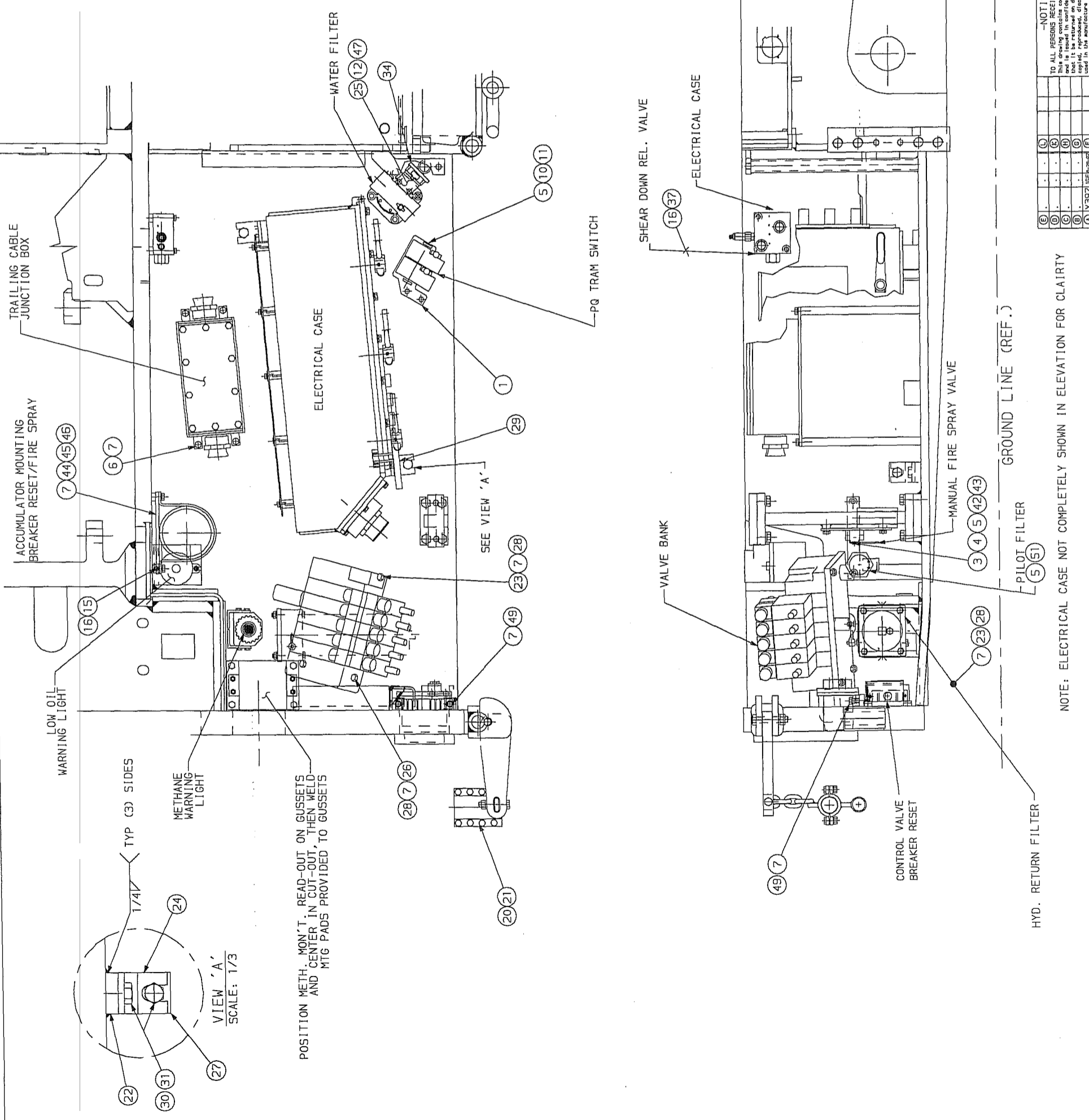
EIMCO LLC  
P.O. BOX 1100  
BLUEFIELD WV 24701-1100  
304-327-0260

Copyright 1995  
UNLESS OTHERWISE NOTED ALL  
DIMENSIONS ARE IN INCHES  
FRACTIONS  $\pm 1/64$ "  
TOLERANCE ANGLES  $\pm 30$  MINUTES  
FABRICATION TOL  $\pm 1/16$ "  
MODEL 2810 DATE 8/11/95  
WEIGHT XXX DRAWN KTG  
SCALE 1/10 CHECKED  
DO NOT SCALE CHIEF ENGR

NEXT ASSY. T.F. ASSY  
TITLE INSTALLATION, HYD. BREATHER  
DWG No./PART No. 60244944  
C

BILL OF MATERIAL

ITEM NO.	PART NO.	QTY/U/M	DESCRIPTION	BM SIZE
1	60250589	1	BRACKET ASSY, P.O. SWITCH	X B
2	60250966	1	BRACKET, RETURN FILT. MOUNT.	B
3	60232589	1	EA BRKT, VALVE MTG	B
4	37401221	4	EA HHCS, 1/4-20 X 1" LG	B
5	37706413	8	EA WASHER, LOCK, 1/4"	B
6	37418415	4	EA HHCS, 1/2-13NC X 1"	B
7	37707916	15	EA WASHER, LOCK, 1/2"	B
8	60247620	1	EA ANTENNA MOUNT	B
9	60250974	2	EA DTL, TAB VALVE MTG	B
10	37101615	2	EA HEX NUT, 1/4-20NC	B
11	37558797	2	EA HHCS, 1/4-20NC X 6"	B
12	37405024	2	EA TAP BLOCK, 5/16-18 X 3/4"	B
13	30155681	2	EA TAP BLOCK, 5/16-18 X 3/8 LG.	B
14	60250614	3	EA BRACKET, FILTER MOUNTING	B
15	37410826	2	EA HHCS, 3/8-16 X 1" LG	B
16	37707114	6	EA WASHER, LOCK, 3/8"	B
17	37412111	2	EA HHCS, 3/8-16 X 1 1/2"	B
18	60250946	1	EA MOUNT VALVE BANK	X C
19	60241051	1	EA CLAMP, ASSEMBLY	X B
20	60236670	1	EA ASSEMBLY, CLAMP	X B
21	60236671	1	EA WELDMENT, CLEVIS	X B
22	60242111	2	EA DTL, TAP BLOCK	B
23	37422318	5	EA HHCS, 1/2-13 X 3 1/2"	B
24	60242113	2	EA DTL, BENT STRAP	B
25	60242805	1	EA BRKT, FILTER MTG.	X B
26	37423415	2	EA HHCS, 1/2-13 X 6 1/2"	B
27	60249783	2	EA DTL, MOUNTING PAD	B
28	37103215	7	EA HEX NUT, 1/2-13NC	B
29	60244551	1	EA INSTL, PANIC BAR	X D
30	37430220	4	EA HHCS, 3/4-10 X 1 1/4" LG	B
31	37708518	4	EA LOCKWASHER, 3/4"	B
32	60249784	2	EA DTL, BAR	B
33	3706571	2	EA TAPPED BLOCK, 1/2-13 X 5/8"	B
34	60250967	1	EA WELD-T FILTER MOUNT	X B
35	60242982	1	EA MOUNT WARNING LIGHT	B
36	60250975	4	EA TAP BOSS, 1/2-13 X 1 1/2" LG	B
37	37414323	2	EA HHCS, 3/8-16 X 3" LG	B
38	60242974	2	EA TAP BOSS, 3/8-16 X 1/2" LG	B
39	30153316	2	EA TAP BOSS, 3/8-16 X 1 1/2" LG	B
40	60250966	1	EA BRACKET, FILTER MOUNTING	B
41	3000753	2	EA U-BOLT, 5/16-18 NC	B
42	30156079	2	EA TAP BLOCK 1/4 X 1/2"	B
43	60239396	1	EA DTL, ACCUM. MOUNT, 1 GAL	B
44	60239397	1	EA DTL, BAR, ACCUMULATOR	B
45	37418811	2	EA HHCS, 1/2-13 X 1 1/8" LG	B
46	37708710	2	EA LOCKWASHER, 5/16"	B
47	30155410	2	EA TAP BOSS, 1/2-13 X 1 1/2"	A
48	37419736	2	EA HHCS, 1/2-13 X 1 5/8" LG	B
49	60250831	1	EA WELDMT, VALVE MTG	C
50	37400629	2	EA HHCS, 1/4-20 X 3/4" LG	B
51	60245069	1	EA DET, ANTENNA GUARD	B



NOTES: 1.) MTG POSTS FOR VALVE BANK AND TRAILING CABLE JUNCTION BOX TO BE WELDED TO DECK PLATE.

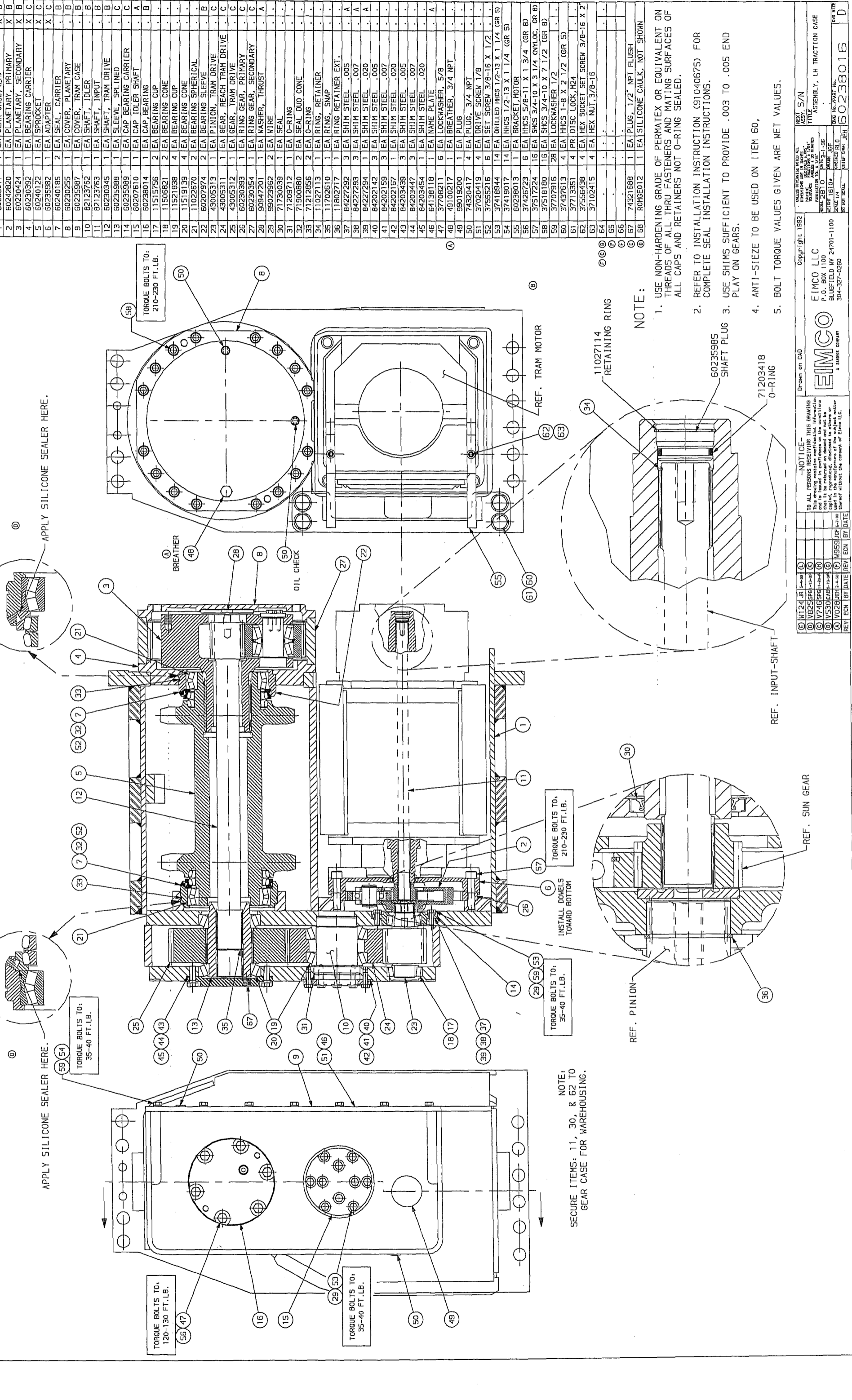
DATE	BY	REV	DESCRIPTION
06/11/00	06	1	INITIAL RELEASE
06/11/00	06	2	REVISION
06/11/00	06	3	REVISION
06/11/00	06	4	REVISION
06/11/00	06	5	REVISION
06/11/00	06	6	REVISION
06/11/00	06	7	REVISION
06/11/00	06	8	REVISION
06/11/00	06	9	REVISION
06/11/00	06	10	REVISION
06/11/00	06	11	REVISION
06/11/00	06	12	REVISION
06/11/00	06	13	REVISION
06/11/00	06	14	REVISION
06/11/00	06	15	REVISION
06/11/00	06	16	REVISION
06/11/00	06	17	REVISION
06/11/00	06	18	REVISION
06/11/00	06	19	REVISION
06/11/00	06	20	REVISION
06/11/00	06	21	REVISION
06/11/00	06	22	REVISION
06/11/00	06	23	REVISION
06/11/00	06	24	REVISION
06/11/00	06	25	REVISION
06/11/00	06	26	REVISION
06/11/00	06	27	REVISION
06/11/00	06	28	REVISION
06/11/00	06	29	REVISION
06/11/00	06	30	REVISION
06/11/00	06	31	REVISION
06/11/00	06	32	REVISION
06/11/00	06	33	REVISION
06/11/00	06	34	REVISION
06/11/00	06	35	REVISION
06/11/00	06	36	REVISION
06/11/00	06	37	REVISION
06/11/00	06	38	REVISION
06/11/00	06	39	REVISION
06/11/00	06	40	REVISION
06/11/00	06	41	REVISION
06/11/00	06	42	REVISION
06/11/00	06	43	REVISION
06/11/00	06	44	REVISION
06/11/00	06	45	REVISION
06/11/00	06	46	REVISION
06/11/00	06	47	REVISION
06/11/00	06	48	REVISION
06/11/00	06	49	REVISION
06/11/00	06	50	REVISION
06/11/00	06	51	REVISION

NOTICE: TO ALL PERSONS RECEIVING THIS DRAWING: This drawing contains confidential information and is issued in confidence on the condition that it will not be reproduced, copied, or used in the manufacture of the subject matter without the consent of EIMCO LLC.

Drawn on CAD  
Copyright 2002  
EIMCO LLC  
P. O. BOX 1100  
BLUFFIELD, WV 24701-1100  
304-327-0250  
A SANYO COMPANY



ITEM NO.	PART NO.	QTY/U/M	DESCRIPTION	BM	DMG SIZE
1	60238011	1	EA GEAR CASE, (LH)	X	D
2	60242820	1	EA PLANETARY, PRIMARY	X	B
3	60230424	1	EA PLANETARY, SECONDARY	X	B
4	60230392	1	EA BEARING CARRIER	X	C
5	60240122	1	EA SPROCKET	X	C
6	60235982	1	EA ADAPTER	X	C
7	60240185	2	EA SEAL, CARRIER	X	B
8	60230255	1	EA COVER, PLANETARY	X	B
9	60235987	1	EA COVER, TRAM CASE	X	B
10	82123762	1	EA SHAFT, IDLER	X	B
11	82123763	1	EA SHAFT, INPUT	X	B
12	60230345	1	EA SHAFT, TRAM DRIVE	X	B
13	60235988	1	EA SLEEVE, SPLINED	X	C
14	60235989	1	EA CAP BEARING CARRIER	X	C
15	60207610	1	EA CAP IDLER SHAFT	X	A
16	60238014	1	EA CAP BEARING	X	B
17	11515756	2	EA BEARING CUP	X	B
18	11508821	2	EA BEARING CONE	X	B
19	11521838	4	EA BEARING CUP	X	B
20	11519139	4	EA BEARING CONE	X	B
21	11022670	2	EA BEARING SPHERICAL	X	B
22	60207974	2	EA BEARING SLEEVE	X	B
23	43005313	1	EA PINION, TRAM DRIVE	X	C
24	43005311	1	EA GEAR, REACH TRAM DRIVE	X	C
25	43005312	1	EA GEAR, TRAM DRIVE	X	C
26	60230393	1	EA RING GEAR, PRIMARY	X	C
27	60230354	1	EA RING GEAR, SECONDARY	X	C
28	90947201	1	EA WASHER, THRUST	X	A
29	98029862	2	EA WIRE	X	A
30	71730039	1	EA SEAL	X	A
31	71209712	1	EA O-RING	X	A
32	71900880	2	EA SEAL DIOD CONE	X	A
33	71212856	2	EA O-RING	X	A
34	11027113	1	EA RING, RETAINER	X	A
35	11702610	1	EA RING, RETAINER	X	A
36	11802717	1	EA RING RETAINER EXT.	X	A
37	84227282	3	EA SHIM STEEL .005	X	A
38	84227293	3	EA SHIM STEEL .007	X	A
39	84227294	1	EA SHIM STEEL .020	X	A
40	84202142	3	EA SHIM STEEL .005	X	A
41	84202159	3	EA SHIM STEEL .007	X	A
42	84202167	1	EA SHIM STEEL .020	X	A
43	84203439	3	EA SHIM STEEL .005	X	A
44	84203447	3	EA SHIM STEEL .007	X	A
45	84203454	1	EA SHIM STEEL .020	X	A
46	64198118	1	EA NAME PLATE	X	A
47	37708211	6	EA LOCKWASHER, 5/8	X	A
48	49100217	1	EA BREATHER, 3/4 NPT	X	A
49	99019200	1	EA PLUG	X	A
50	74320417	4	EA PLUG, 3/4 NPT	X	A
51	37020419	4	EA DRIVE SCREW 1/8	X	A
52	37555216	6	EA SET SCREW 3/8-16 X 1/2	X	A
53	37418944	14	EA DRILLED HCS 1/2-13 X 1 1/4 (GR 5)	X	A
54	37419017	14	EA HCS 1/2-13 X 1 1/4 (GR 5)	X	A
55	60238013	1	EA BRACKET, MOTOR	X	A
56	37426723	6	EA HCS 5/8-11 X 1 3/4 (GR 8)	X	A
57	37517224	16	EA SHCS 3/4-10 X 3 1/4 (NYLOC, GR 8)	X	A
58	37518180	16	EA SHCS 3/4-10 X 7 1/2 (GR 8)	X	A
59	37707916	28	EA LOCKWASHER 1/2	X	A
60	37437613	4	EA HCS 1-8 X 2 1/2 (GR 5)	X	A
61	37713351	4	PR DJSC LOCK M24	X	A
62	37556438	4	EA HEX SOCKET SET SCREW 3/8-16 X 2	X	A
63	37102415	4	EA HEX NUT, 3/8-16	X	A
64					
65					
66					
67	74321688	1	EA PLUG, 1/2" NPT FLUSH	X	A
68	ROM6E012	1	EA SILICONE CAULK, NOT SHOWN	X	A



Copyright 1992

Drawn on CAD

IMCO LLC  
P.O. BOX 1100  
BLUEFIELD WV 24701-1100  
304-327-0260

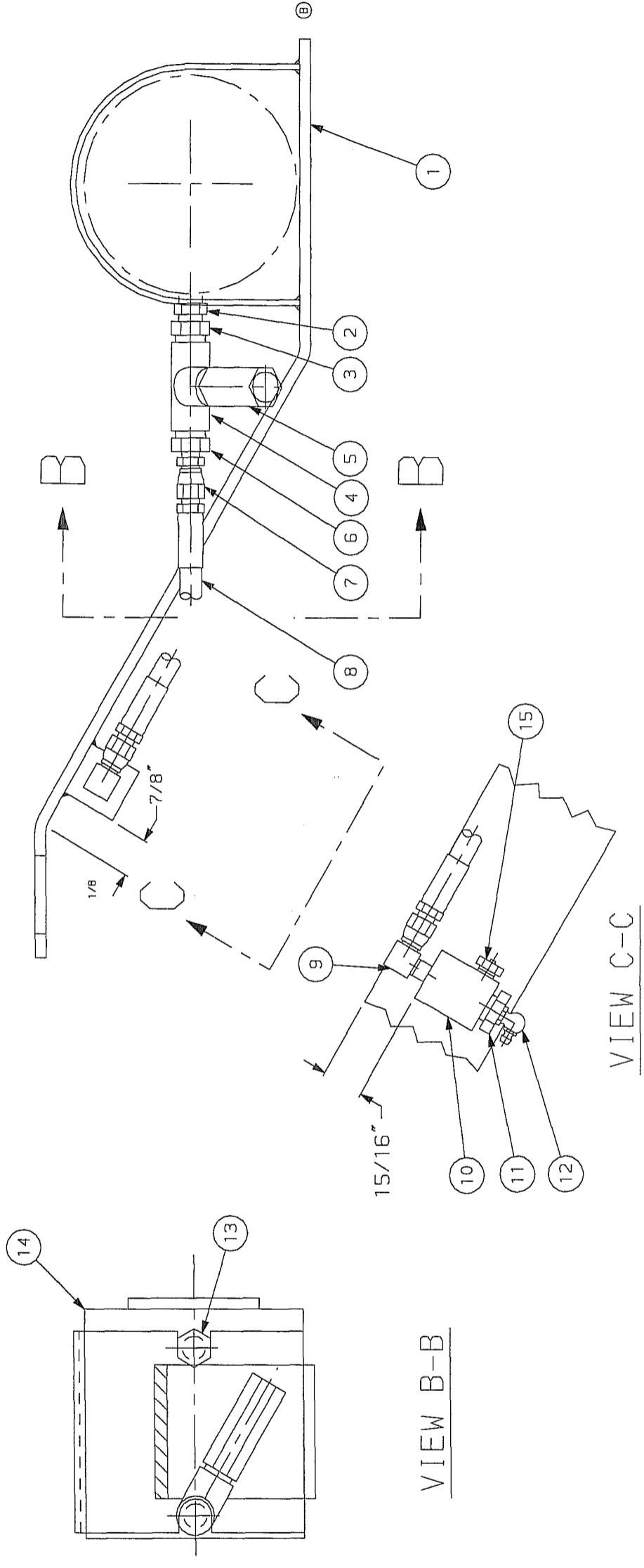
NOTICE - TO ALL PERSONS RECEIVING THIS DRAWING: This drawing contains confidential information and is issued in confidence on the condition that it will not be reproduced, copied, or used in the manufacture of the subject matter without the consent of Imco LLC.

REV	ECN	BY	DATE	REV	ECN	BY	DATE
1	1	JR	11-11-92	1	1	JR	11-11-92
2	1	SP	03-13-95	2	1	SP	03-13-95
3	1	SP	08-13-95	3	1	SP	08-13-95
4	1	SP	08-13-95	4	1	SP	08-13-95
5	1	SP	08-13-95	5	1	SP	08-13-95
6	1	SP	08-13-95	6	1	SP	08-13-95
7	1	SP	08-13-95	7	1	SP	08-13-95
8	1	SP	08-13-95	8	1	SP	08-13-95
9	1	SP	08-13-95	9	1	SP	08-13-95
10	1	SP	08-13-95	10	1	SP	08-13-95
11	1	SP	08-13-95	11	1	SP	08-13-95
12	1	SP	08-13-95	12	1	SP	08-13-95
13	1	SP	08-13-95	13	1	SP	08-13-95
14	1	SP	08-13-95	14	1	SP	08-13-95
15	1	SP	08-13-95	15	1	SP	08-13-95
16	1	SP	08-13-95	16	1	SP	08-13-95
17	1	SP	08-13-95	17	1	SP	08-13-95
18	1	SP	08-13-95	18	1	SP	08-13-95
19	1	SP	08-13-95	19	1	SP	08-13-95
20	1	SP	08-13-95	20	1	SP	08-13-95
21	1	SP	08-13-95	21	1	SP	08-13-95
22	1	SP	08-13-95	22	1	SP	08-13-95
23	1	SP	08-13-95	23	1	SP	08-13-95
24	1	SP	08-13-95	24	1	SP	08-13-95
25	1	SP	08-13-95	25	1	SP	08-13-95
26	1	SP	08-13-95	26	1	SP	08-13-95
27	1	SP	08-13-95	27	1	SP	08-13-95
28	1	SP	08-13-95	28	1	SP	08-13-95
29	1	SP	08-13-95	29	1	SP	08-13-95
30	1	SP	08-13-95	30	1	SP	08-13-95
31	1	SP	08-13-95	31	1	SP	08-13-95
32	1	SP	08-13-95	32	1	SP	08-13-95
33	1	SP	08-13-95	33	1	SP	08-13-95
34	1	SP	08-13-95	34	1	SP	08-13-95
35	1	SP	08-13-95	35	1	SP	08-13-95
36	1	SP	08-13-95	36	1	SP	08-13-95
37	1	SP	08-13-95	37	1	SP	08-13-95
38	1	SP	08-13-95	38	1	SP	08-13-95
39	1	SP	08-13-95	39	1	SP	08-13-95
40	1	SP	08-13-95	40	1	SP	08-13-95
41	1	SP	08-13-95	41	1	SP	08-13-95
42	1	SP	08-13-95	42	1	SP	08-13-95
43	1	SP	08-13-95	43	1	SP	08-13-95
44	1	SP	08-13-95	44	1	SP	08-13-95
45	1	SP	08-13-95	45	1	SP	08-13-95
46	1	SP	08-13-95	46	1	SP	08-13-95
47	1	SP	08-13-95	47	1	SP	08-13-95
48	1	SP	08-13-95	48	1	SP	08-13-95
49	1	SP	08-13-95	49	1	SP	08-13-95
50	1	SP	08-13-95	50	1	SP	08-13-95
51	1	SP	08-13-95	51	1	SP	08-13-95
52	1	SP	08-13-95	52	1	SP	08-13-95
53	1	SP	08-13-95	53	1	SP	08-13-95
54	1	SP	08-13-95	54	1	SP	08-13-95
55	1	SP	08-13-95	55	1	SP	08-13-95
56	1	SP	08-13-95	56	1	SP	08-13-95
57	1	SP	08-13-95	57	1	SP	08-13-95
58	1	SP	08-13-95	58	1	SP	08-13-95
59	1	SP	08-13-95	59	1	SP	08-13-95
60	1	SP	08-13-95	60	1	SP	08-13-95
61	1	SP	08-13-95	61	1	SP	08-13-95
62	1	SP	08-13-95	62	1	SP	08-13-95
63	1	SP	08-13-95	63	1	SP	08-13-95
64	1	SP	08-13-95	64	1	SP	08-13-95
65	1	SP	08-13-95	65	1	SP	08-13-95
66	1	SP	08-13-95	66	1	SP	08-13-95
67	1	SP	08-13-95	67	1	SP	08-13-95
68	1	SP	08-13-95	68	1	SP	08-13-95

BILL OF MATERIAL

ITEM NO.	PART NO.	QTY	U/M	DESCRIPTION	BM	DWG. SIZE
1	60240552	1	EA	WELDMENT, MOUNTING	X	B
2	50027812	1	EA	NIPPLE, 1/4 EXT	.	.
3	50026319	1	EA	REDUCER, 3/8 TO 1/4 NPT	.	.
4	50030212	1	EA	TEE, 3/8 NPT	.	.
5	92303320	1	EA	VALVE, RELIEF, 1800PSI	.	.
6	50026822	1	EA	REDUCER, 3/8 TO 1/8 NPT	.	.
7	50002013	1	EA	SWIVEL, 1/8 NPT	.	.
8	2176119	1	EA	HOSE, HYD, 3/16 x 10"	.	.
9	50023340	1	EA	SWIVEL, 90°, 1/8 NPT	.	.
10	60214624	1	EA	RELIEF BLOCK	.	A
11	50053966	1	EA	VALVE, TRACK TAKE UP	.	.
12	2096138	1	EA	GREASE FITTING, 90° 1/8	.	.
13	49100514	1	EA	BREATHER, 1/4 NPT	.	A
14	49203268	1	EA	CYLINDER, TRACK TAKE UP	.	A
15	64076011	1	EA	VALVE, RELIEF, 5 PSI	.	.

Ⓐ



VIEW B-B

VIEW C-C

REV	ECN	BY	DATE	REV	ECN	BY	DATE
(E)				(L)			
(D)				(K)			
(C)				(H)			
(B)	Y450	PJD	07-15-02	(G)			
(A)	V727	CAB	10-27-98	(F)			

**-NOTICE-**  
 TO ALL PERSONS RECEIVING THIS DRAWING  
 This drawing contains confidential information  
 and is issued in confidence on the conditions  
 that it be returned on demand and not be  
 copied, reproduced, disclosed to others or  
 used in the manufacture of the subject matter  
 thereof without the consent of Eimco LLC.

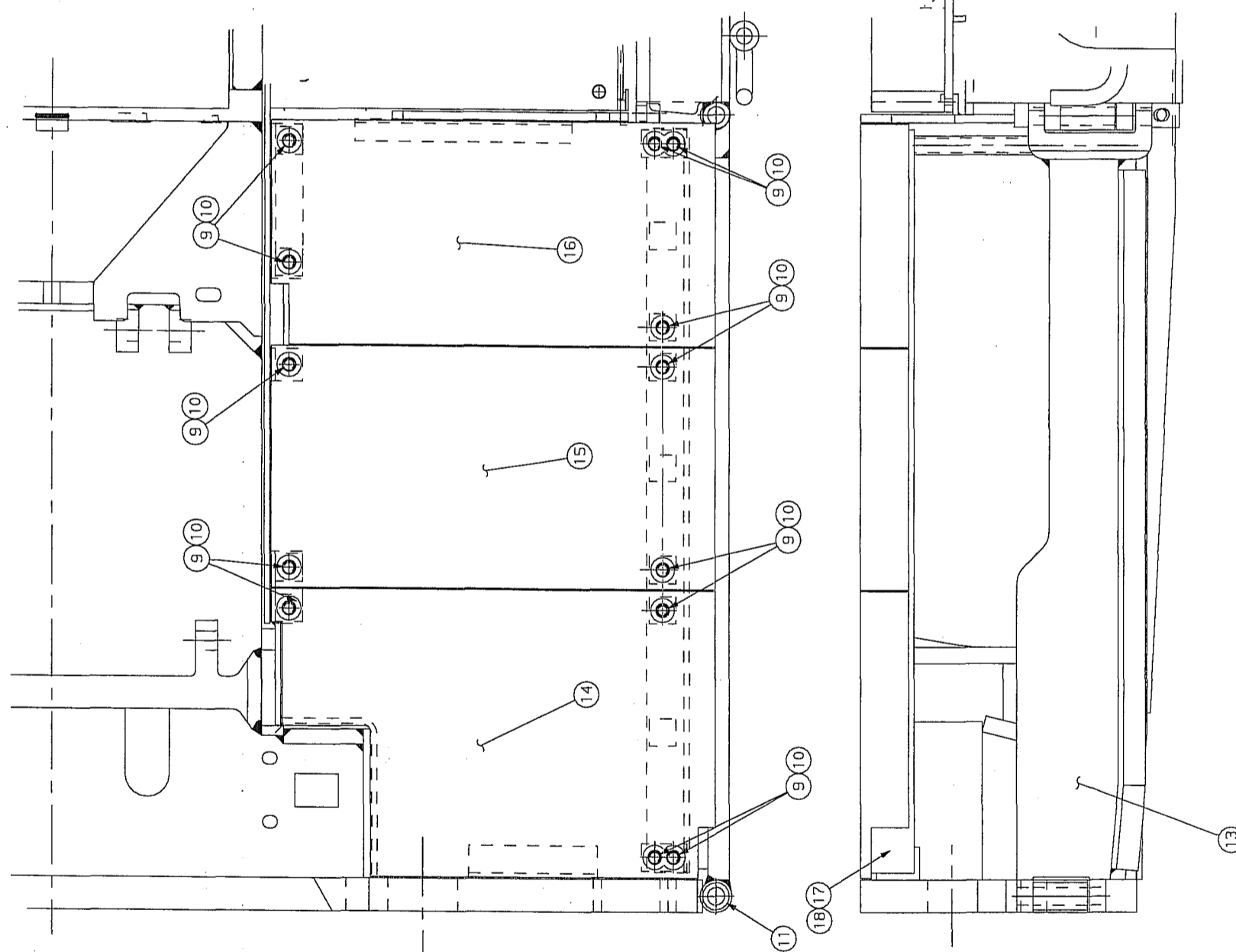
Drawn on CAD  
**EIMCO**  
 A SANDVIK COMPANY  
 EIMCO LLC  
 P.O. BOX 1100  
 BLUEFIELD WV 24701-1100  
 304-327-0260

Copyright 1990  
 UNLESS OTHERWISE NOTED ALL  
 DIMENSIONS ARE IN INCHES  
 DECIMALS ±.005  
 FRACTIONS ±.005  
 TOLERANCE  
 FABRICATION TOL ±.015"  
 MODEL 2810L DATE 1-17-91  
 WEIGHT XXX DRAWN SBW  
 SCALE 1/4" CHECKED  
 DO NOT SCALE CHIEF ENGR

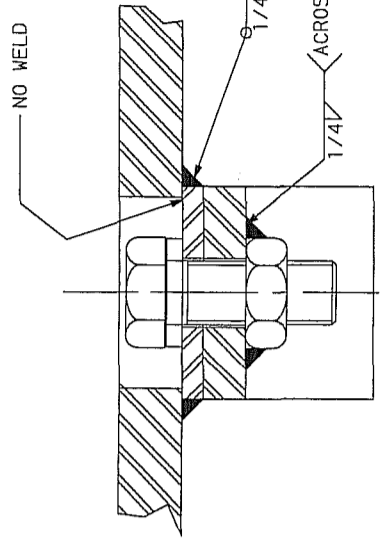
NEXT ASSY.	REV
60240193	B
TITLE TAKE-UP JACK ASSY. FRONT IDLER	
DWG No. / PART No. 60240509	
DWG SIZE C	

BILL OF MATERIAL

ITEM NO.	PART NO.	QTY/U/M	DESCRIPTION	BM
1	60247511	1	EA DTL, MOUNTING ANGLE	B
2	60251167	1	EA DTL, PLATE	B
4	60251166	1	EA DTL, FILLER PLATE	B
5	60245667	1	EA DTL, MOUNTING ANGLE	B
6	60245550	1	EA DTL, MOUNTING ANGLE	B
7	60245553	1	EA DTL, MTG. BRACKET	B
8	60248206	1	EA DTL, SUPPORT	B
9	37431012	13	EA HHCS, 3/4-10 X 2"	B
10	37708518	13	EA LOCK WASHER, 3/4	B
11	60244564	1	EA WELD, RUB RAIL PIN	X
12	60240399	1	EA DTL, HINGE, 5"	B
13	60247177	1	EA WELD, RUB RAIL	X
14	60251159	1	EA WELDMENT, COVER	X
15	60251159	1	EA WELDMENT, COVER	X
16	60251161	1	EA WELDMENT, COVER	X
17	60245549	1	EA DTL, ANGLE SUPPORT	B
18	37104411	9	EA HEX NUT, 3/4-10	B
19	60248207	1	EA WELD, SUPPORT POST	X
20	60251165	1	EA DTL, ANGLE SUPPORT	X
21	60251162	1	EA DTL, ANGLE SUPPORT	X
22	60251170	1	EA DTL, ANGLE SUPPORT	X



NOTE: AFTER FINAL COVER PLACEMENT IS ESTABLISHED, SOLID WELD ALL 1/4" PADS UNDER ITEMS 14, 15, & 16



REV	DATE	BY	ECN	REV	DATE	BY	ECN
(E)				(A)			
(D)				(B)			
(C)				(C)			
(B)				(D)			
(A)				(E)			

Drawn on CAD Copyright 2002

NOTICE- TO ALL PERSONS RECEIVING THIS DRAWING This drawing contains confidential information and is loaned in confidence on the conditions that it is not to be reproduced, copied, reprinted, or otherwise used in the manufacture of the subject matter hereof without the consent of Eimco LLC.

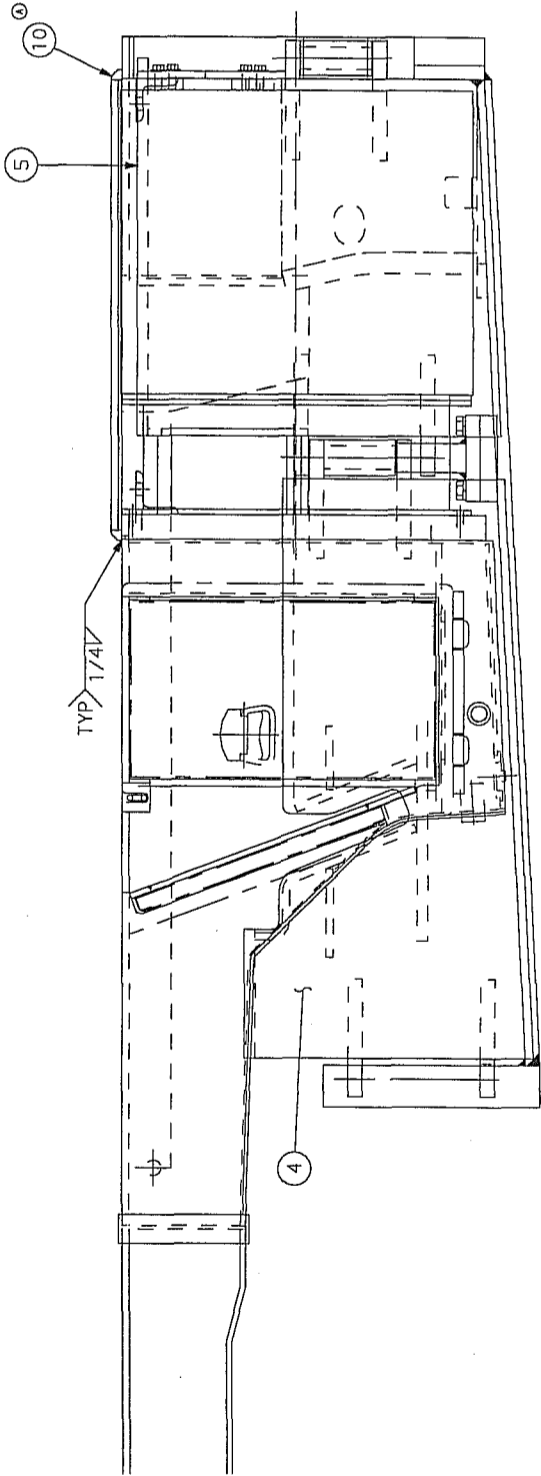
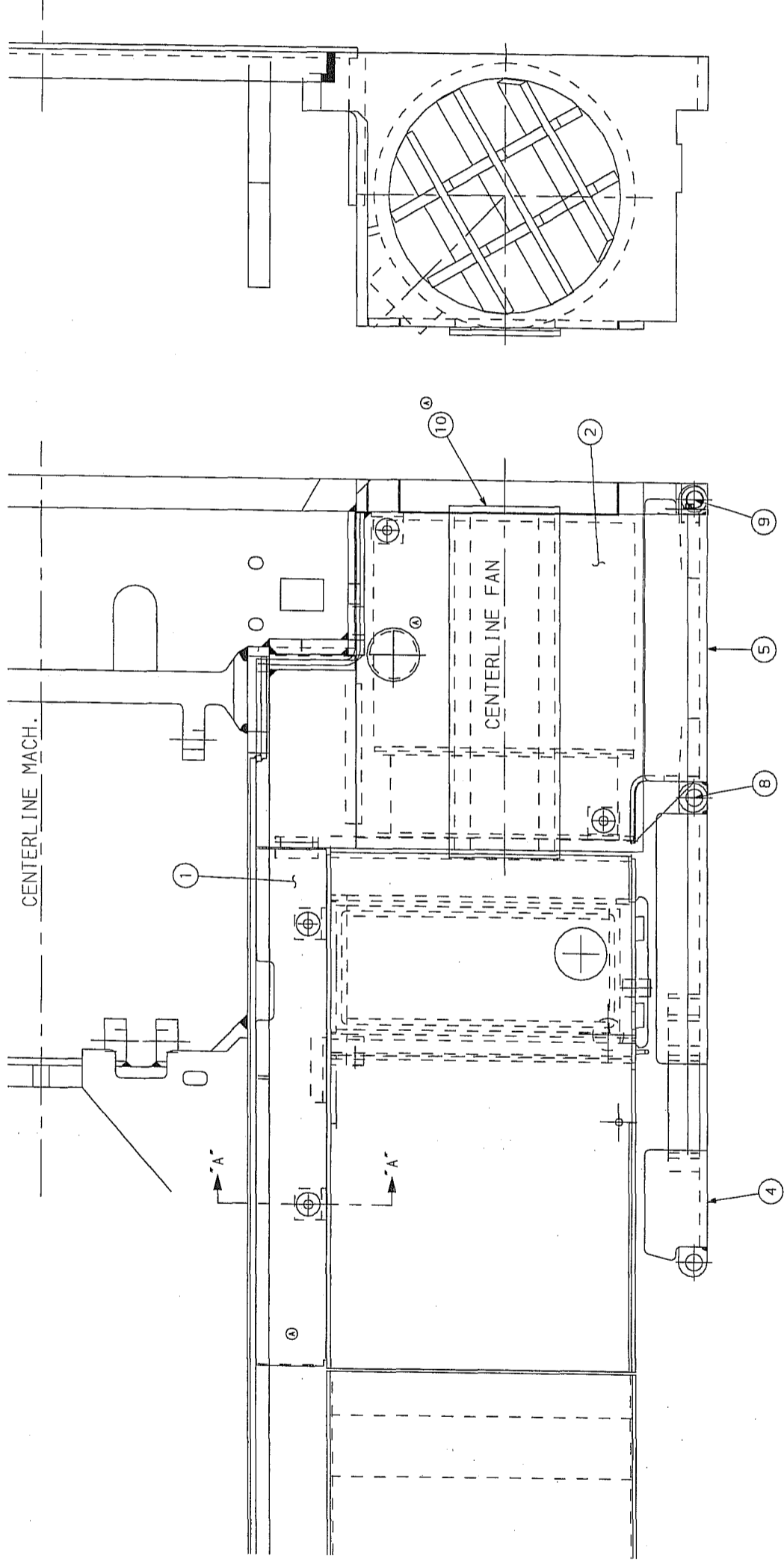
EIMCO  
A SHAWTECH COMPANY

EIMCO LLC  
P.O. BOX 1100  
BLUEFIELD WV 26010-1100  
304-327-0260

ASSY. 60251100  
TITLE INSTL, COVERS RH REAR

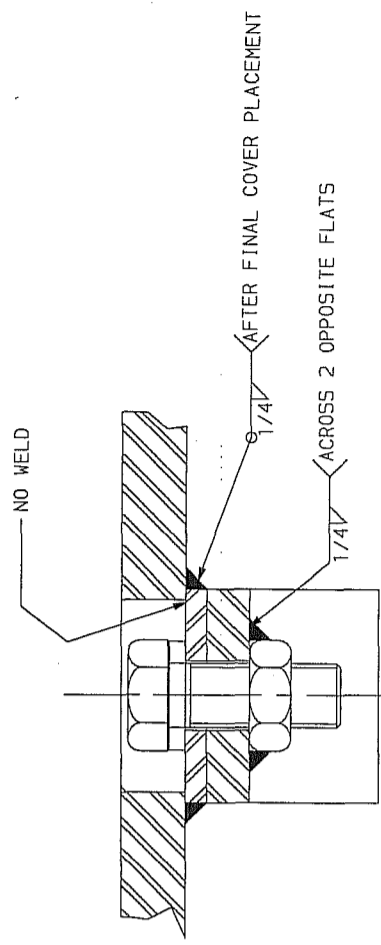
DATE 03/12/02  
DRAWN BY JUD  
CHECKED BY  
SCALE 1:1  
JOB NO. 60251156.sh1  
JOB SITE  
JOB NO. SCALE CHIEF ENGR. EGO

BILL OF MATERIAL				B/M No. 60251176	
ITEM NO.	PART NO.	QTY/U/M	DESCRIPTION	BM SIZE	BM
1	60251177	1 EA	WELDMENT, TOP COVER	X C	X
2	60251178	1 EA	WELDMENT, TOP COVER	X C	X
3					
4	60247300	1 EA	WELD, RUB RAIL FRONT	X B	X
5	60247304	1 EA	WELD, RUB RAIL REAR	X B	X
6	37431012	6 EA	HHCS, 3/4-10 X 2		
7	37708518	6 EA	LOCKWASHER, 3/4"		
8	60244553	1 EA	W/MNT, PIN, 12 1/2 LG	X B	X
9	60244565	1 EA	W/MNT, PIN, 7 LG	X B	X
10	60251252	2 EA	DTL., END BAR		A



GROUND LINE (REF.)

NOTE: AFTER FINAL COVER PLACEMENT IS ESTABLISHED, SOLID WELD ALL 1/4" PADS UNDER ITEMS 1, 2, AND 3



SECTION "A-A"  
SCALE: FULL

REV	ECN	BY	DATE	REV	ECN	BY	DATE
1				1			
2				2			
3				3			
4				4			
5				5			
6				6			
7				7			
8				8			
9				9			
10				10			

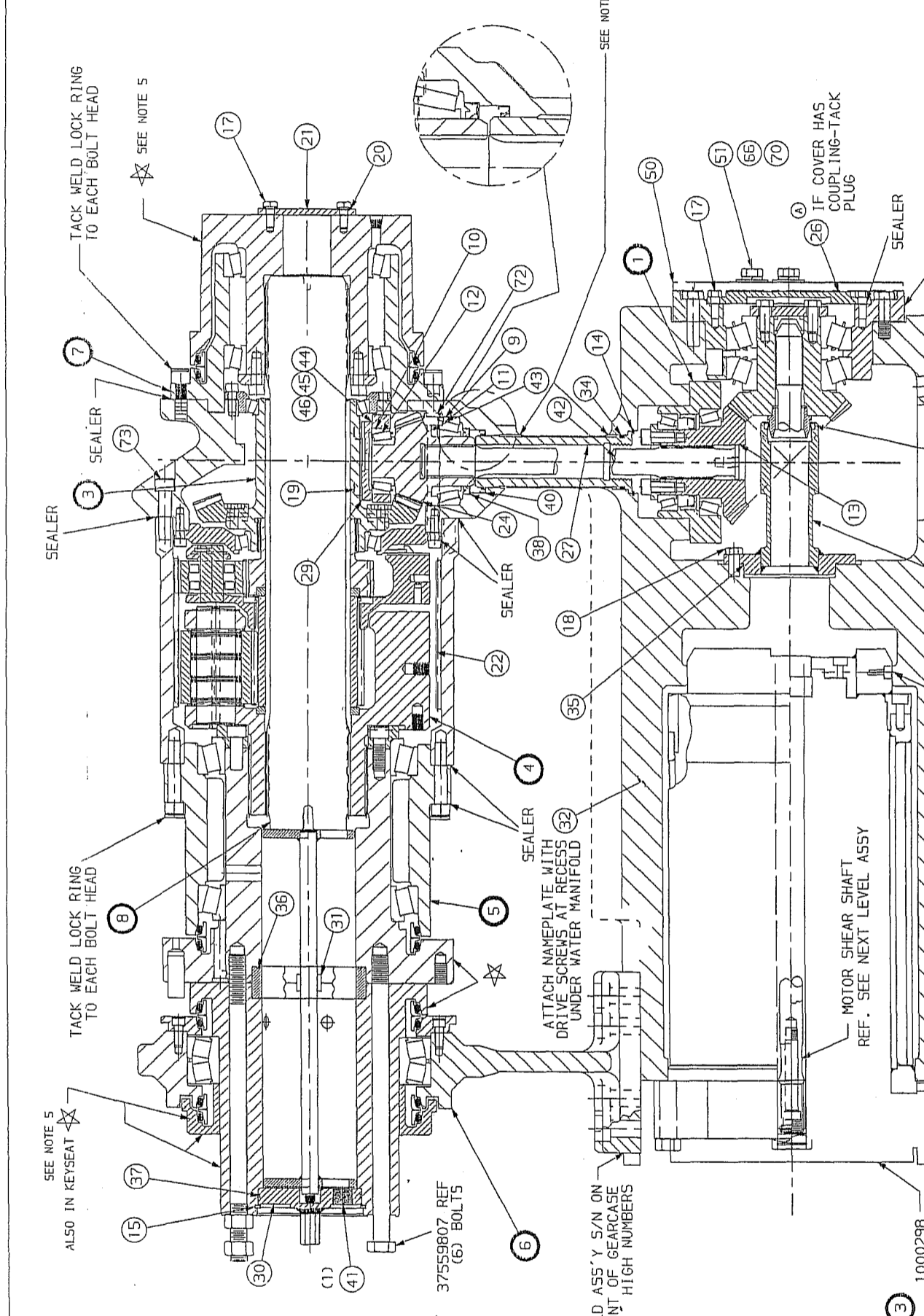
NOTICE: TO ALL PERSONS RECEIVING THIS DRAWING: This drawing is the property of EIMCO and is loaned in confidence on the condition that it be returned in good and not be used in the manufacture of the subject article without the consent of EIMCO LLC.

Drawn on CAD  
EIMCO LLC  
P.O. BOX 1100  
BLUEFIELD WV 24701-1100  
304-327-0260

Copyright 2002  
EIMCO  
A DENVER COMPANY

NEST ASSY: 60251100  
TITLE: INSTL., DEMISTER COVERS AND RUB RAILS  
DATE: 3/15/02  
DESIGNER: JES  
CHECKER: JGF  
BY: JGF  
DATE: 3/15/02

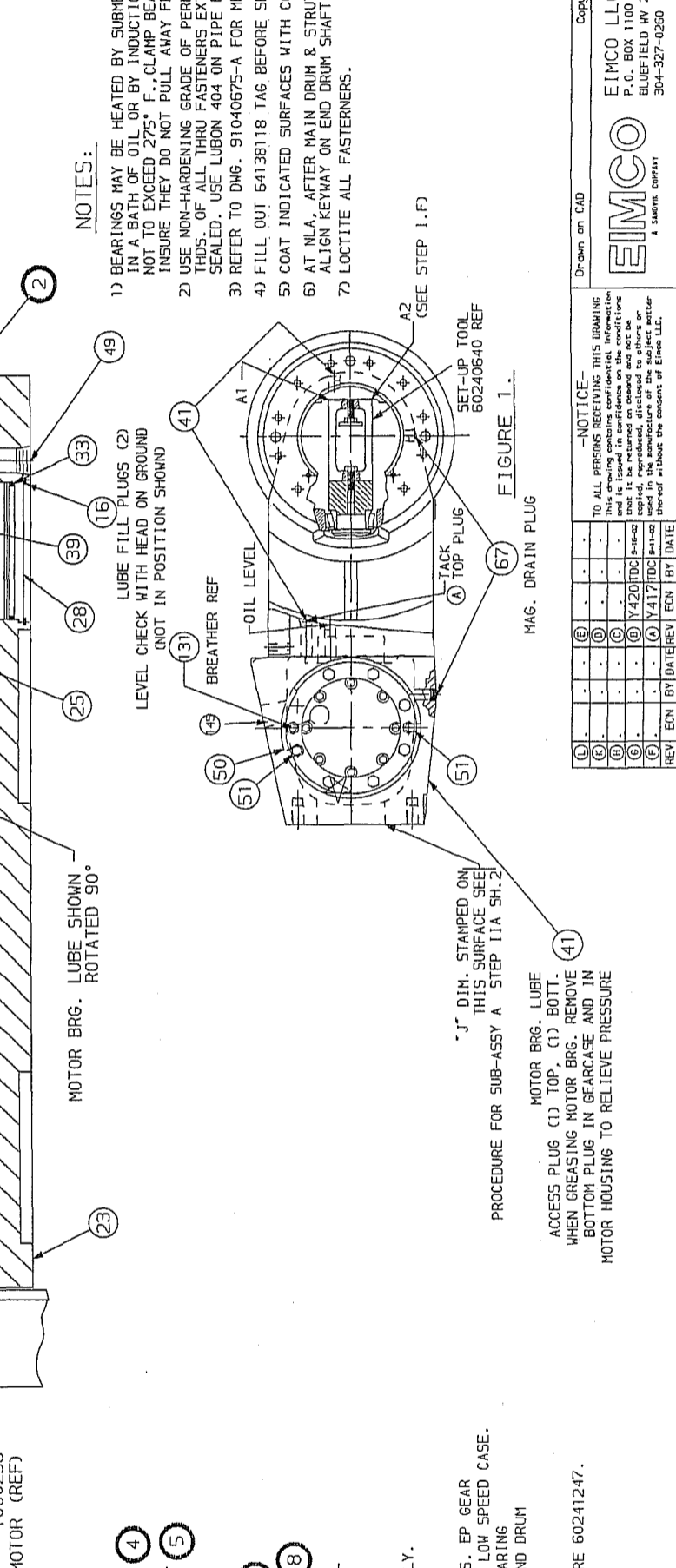
ITEM NO.	PART NO.	QTY/U/M	DESCRIPTION	UNIT	BM SIZE
1	A	1	EA SUB-ASSY INPUT GEAR		
2	B	1	EA SUB-ASSY INPUT PINION		
3	C	1	EA S' ASSY SEV BEVEL GEAR		
4	60244975	1	EA SUB-ASSY PLANETARY	X	A
5	D	1	EA SUB-ASSY OUTPUT SHAFT		
6	E	1	EA SUB-ASSY STRUT		
7	F	1	EA S' ASSY C'DRUM DRIVE		
8	G	1	EA S' ASSY C'DRUM INPUT		
9	3160163	1	EA BEARING CUP		
10	11540562	1	EA BEARING CUP SEC		
11	11513611	1	EA BEARING CONE PINION		
12	11540563	1	EA BEARING CONE		
13	11707107	1	EA SNAP RING (STRUT SHAFT)		
14	11700291	1	EA SNAP RING (STRUT TUBE)		
15	11706512	1	EA RET. RING (END PLUG)		
16	11707104	1	EA SNAP RING (GEAR PLUG)		
17	37418928	1	EA HHCS 1/2-13 X 1 1/4		
18	37426228	3	EA HHCS 5/8-11 X 1 1/2		
19	37511318	4	EA HHCS 1/2-13 X 1 1/2		
20	37207916	4	EA LOCK WASHER 1/2 X 1 1/8		
21	82123784	1	EA END CAP		
22	43005316	1	EA INTERNAL RING GEAR		
23	60244932	1	EA GEAR CASE, MACH. LH	X	D
24	60244927	1	EA SECOND. BEVEL SET 2.579	X	A
25	60241255	1	EA TUBE, SEAL		
26	60242720	1	EA COVER (INPUT PINION)		
27	60240135	1	EA TUBE, STRUT		
28	60240136	1	EA PLUG (GEAR PRIMARY BOX)		
29	60244784	1	EA CAP- NOSE BEARING		
30	60242166	1	EA PLUG (END DRUM SHAFT)		
31	60240565	2	EA KEY-1 X 1 1/2 X 3 3/4		
32	64138118	1	EA NAMEPLATE		
33	71101829	1	EA O-RING (GEAR PLUG)		
34	71207146	1	EA O-RING (STRUT TUBE)		
35	71210777	1	EA O-RING (SEAL TUBE)		
36	71211015	1	EA O-RING (PILOT RING)		
37	71211114	1	EA O-RING (END PLUG)		
38	71015836	1	EA SEAL CAT SEC. PINION		
39	71730030	1	EA SEAL (SEAL TUBE)		
40	71730031	1	EA SEAL (STRUT TUBE FRONT)		
41	74321910	5	EA PIPE PLUG 1" SC HD.		
42	82123727	1	EA SHAFT-INTERMEDIATE		
43A	84210889	3	EA SHIM SET .005		
43B	84210887	3	EA SHIM SET .007		
43C	84210905	1	EA SHIM SET .020		
44	84227313	3	EA SHIM .005		
45	84227314	3	EA SHIM .007		
46	84227315	2	EA SHIM .020		
47	60251373	1	EA HARDFACE, STRUTS		
49	74322314	4	EA PIPE PLUG 1 1/4" SC HD.		
50	60240912	1	EA COVER		
51	37708518	2	EA WASHER, LOCK		
52	37020419	4	EA DRIVE SCREWS		



SEE SHEET 2 FOR BM OF SUB-ASSY'S A THRU G

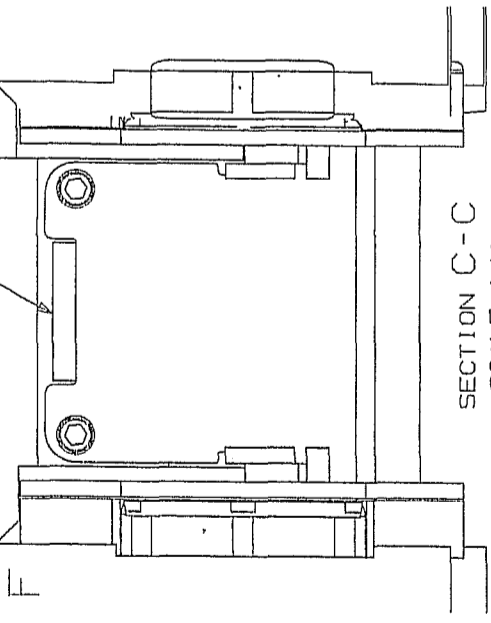
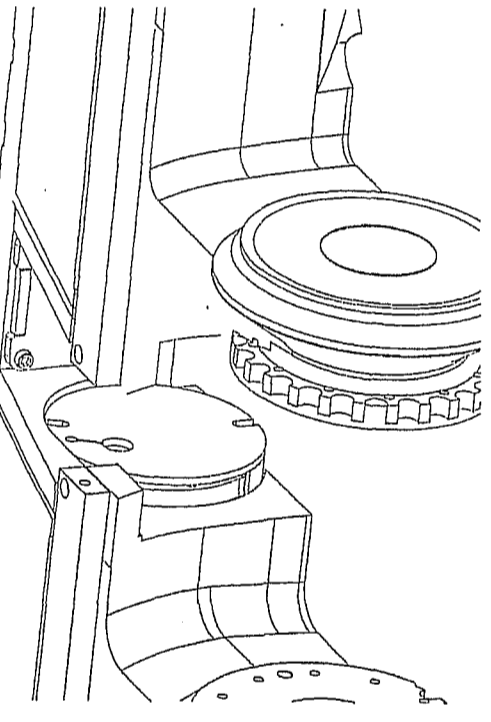
NOTES:

- BEARINGS MAY BE HEATED BY SUBMERGING FOR SUFFICIENT TIME IN A BATH OF OIL OR BY INDUCTION HEATING. CARE MUST BE TAKEN NOT TO EXCEED 275° F. CLAMP BEARINGS WHILE COOLING TO INSURE THEY DO NOT PULL AWAY FROM SEATS.
- USE NON-HARDENING GRADE OF PERMATEX NO. 2 OR EQUIVALENT ON THDS. OF ALL THRU FASTENERS EXTENDING INTO OIL CAVITY AND MATING SURFACES. NOT O-RING SEALED. USE LUBON 404 ON PIPE FITTINGS. SILICONE MAY BE USED AT MATING SURFACES.
- REFER TO DMG. 91040675-A FOR MECH FACE SEAL INSTALLATION.
- FILL OUT 64138118 TAG BEFORE SECURING TO GEARCASE.
- COAT INDICATED SURFACES WITH COSMOLINE TO PREVENT RUST (DRUM DRIVE SHAFTS)
- AT NLA, AFTER MAIN DRUM & STRUT SUB-ASSY ARE INSTALLED, ALIGN KEYWAY ON END DRUM SHAFT WITH KEYWAY ON CENTER DRUM SHAFT.
- LOCTITE ALL FASTENERS.

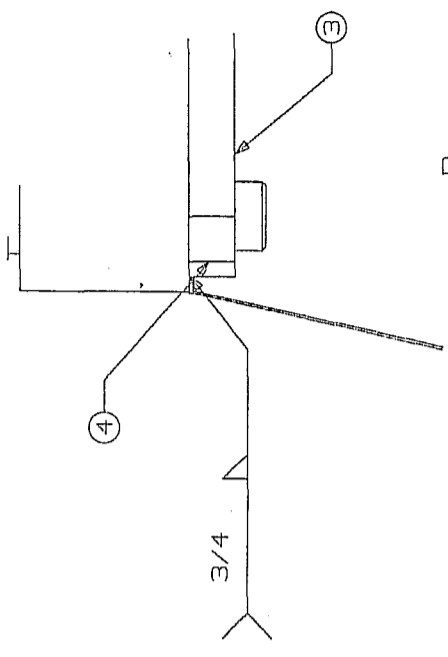


- ASSEMBLY PROCEDURE
- SECONDARY SPIRAL BEVEL PINION
  - REMOVE NOSE BEARING CARRIER 60244774
  - INSTALL SEAL 71730031.
  - INSTALL SEAL 71015836.
  - INSTALL BRG CUP 31600163 USING INSTALLATION TOOL 60240641.
  - USING SET-UP TOOL 60240640 (SEE FIG. 1) SEAT BEARING CONE 11513611 INTO CUP. INSURE THAT CONE IS SEATED IN CUP BY TURNING HANDLE ON CAP SCREW UNTIL HANDTIGHT.
  - MEASURE GAP USING FEELER GAUGE AT TWO PLACES A1 AND A2. A = (A1 + A2)/2 RECORD A = (C) AS FOLLOWS: C = A + D + E - B - F - .001 WHERE A = GAP AS MEASURED (INCHES) B = DIMENSION MARKED ON BACK OF PINION (7.604 NOMINAL) C = TOTAL THICKNESS OF SHIM PACK REQ'D D = LENGTH OF CYLINDRICAL GAUGE BLOCK (3.00 NOMINAL) E = LENGTH OF FRAME GAUGE BLOCK (8.470 NOMINAL) F = DIMENSION STAMPED ON SET-UP PAD (3.875 NOMINAL)
  - ASSEMBLE SHIM PACK (C) & BRG CONE 11513611 ONTO TAIL OF PINION 43501850 & BRG CONE 11540563 ONTO NOSE OF PINION. THEN INSTALL PINION WITH CONES INTO CUP IN GEARCASE. USING ASSY TOOL 60241684 TO PROTECT SEAL.
  - INSTALL NOSE BEARING CARRIER 60244774. SEAT DOWEL PINS FOR PROPER LOCATION. USE RED LOCTITE #271 ON BOLTS.
  - INSTALL BRG CUP 11540562, SHIM PACK, AND BRG CAP 60244784. ADJUST SHIM PACK FOR .000 - .001" END PLAY.
  - TORQUE BOLTS. USE RED LOCTITE #271.
  - INSTALL O-RING 71207146 ON STRUT TUBE 60240135.
  - INSTALL STRUT TUBE 60240135.
  - INSTALL SNAP RING 11703816. CAULK TUBE WITH SILICONE.
  - INSTALL INPUT GEAR SUB-ASSY 'A' (SEE SH.2)
  - INSTALL INTERMEDIATE SHAFT 82123727.
  - INSTALL SNAP RING 11702115.
  - INSTALL O-RING 71210777 ON SEAL TUBE 60241255 & INSTALL SEAL 71730030 INTO OTHER END OF TUBE.
  - ASSEMBLE SEAL TUBE INTO GEARCASE WITH (3) HHCS AND LOCTITE BEFORE BOLTS ARE TORQUED.
  - INSTALL INPUT PINION SUB-ASSY 'B' (SEE SH.2)
  - INSTALL COVER 60242719 WITH (8) HHCS AND SEALER IN JOINT. TORQUE BOLTS.
  - INSTALL O-RING 71101829 ON PLUG 60240136 THEN INSTALL PLUG & SNAP RING 11707104 INTO REAR OF CASE.
  - INSTALL SECONDARY SPIRAL BEVEL GEAR SUB-ASSY 'C' (SEE SH.2).
  - APPLY SEALER & THEN ASSEMBLE INT. RING GEAR 43005316. TORQUE BOLTS.
  - INSTALL INPUT PINION 43005317 AND PLANETARY SUB-ASSY 60244975.
  - APPLY SEALER AND ASSEMBLE OUTPUT SHAFT SUB-ASSY 'D' (SEE SH.3).
  - TORQUE THE (2) SHCS. TACK WELD LOCK RING 60240658 TO EACH BOLT HEAD.
  - ASSEMBLE STRUT SUB-ASSY 'E' (SEE SH.3).
  - ASSEMBLE CENTER DRUM DRIVE SHAFT SUB-ASSY 'F'. (SEE SH.3).
  - ASSEMBLE CENTER DRUM DRIVE SHAFT SUB-ASSY 'G'. (SEE SH.3).
  - INSTALL (3) PIPE PLUGS 74321910 INTO END PLUG 60240145. INSTALL O-RING 71211114 ONTO END PLUG & ASSEMBLE END PLUG INTO END DRUM DRIVE SHAFT WITH SNAP RING 11705019. NOTE: PIPE PLUG MAY NEED TO BE LEFT OUT UNTIL END PLUG IS NESTED OVER THE END OF HANDLE TO ALLOW ACCESS TO HANDLE DURING ASSEMBLY.
  - INSTALL (2) DRAIN PLUGS 74321910 AND MOTOR BRG LUBE ACCESS PLUG 74321910. FILL HIGH SPEED & LOW SPEED GEARCASES WITH LUBRICANT PER EIMCO SPEC 91930067 IN HIGH SPEED CASE & 0TS IN LOW SPEED CASE. ALLOW TIME FOR LUBE IN LOW SPEED CASE TO FLOW INTO SPERICAL BEARING AT BOLT-ON STRUT. FINAL LEVEL CHECK FOR LOW SPEED CASE IS AT END DRUM DRIVE SHAFT PLUG WITH BOTTOM OF HOLE ON CENTER LINE.
  - AFTER MOTOR IS INSTALLED IN GEARCASE, RUN-IN PER EIMCO PROCEDURE 60241247. USE EP GEAR LUBRICANT PER EIMCO SPEC 91930067.
  - DRAIN LUBE. REPLACE DRAIN PLUGS WITH LUBON 404.

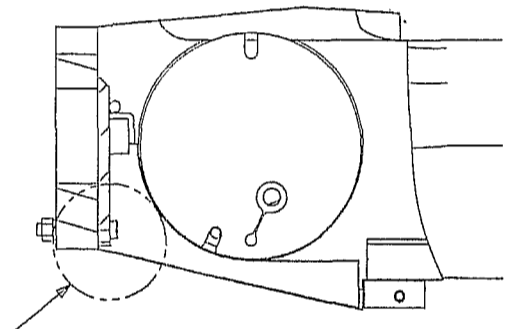
ITEM NO.	Part No.	QTY U/M	Description	BM SIZE	DWG
1	60251294	1	EA MANIFOLD, BOOM, LH	B	B
2	60251296	2	EA INSERT, MANIFOLD, BOOM	B	B
3	60251297	1	EA WELD'T, COVER, BOOM	X	C
4	60251301	1	EA STOP, COVER, BOOM	B	B
5	71015858	2	EA SEAL, POLYPAK, 1.75, .275	B	B
6	60251295	1	EA MANIFOLD, BOOM, RH	B	B
7	37517513	2	EA SHCS, 3/4-10x4 1/2		
8	37104411	2	EA NUT, 3/4-10		
9	37708518	2	EA WASH, LOCK, 3/4		
10	74321415	2	EA PLUG, 1/2-14, SS		



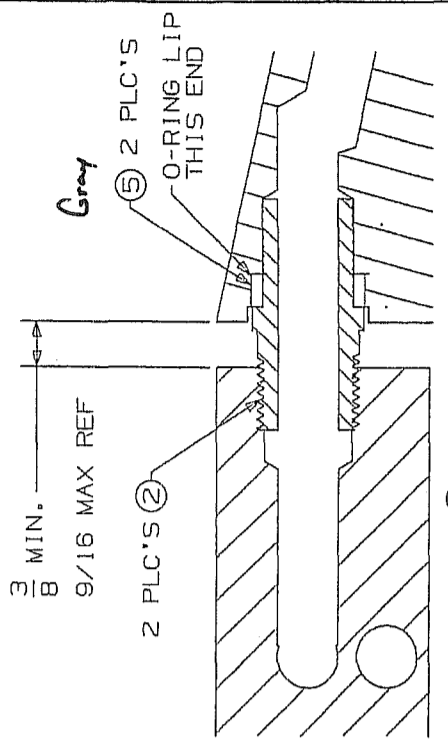
DETAIL B  
SCALE 1/2



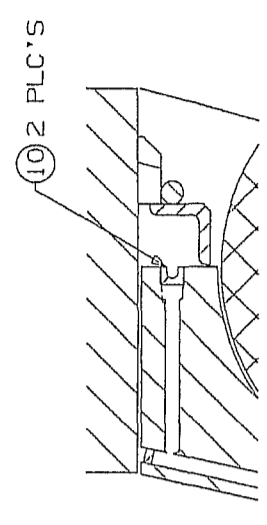
SEE VIEW "DETAIL B"



SECTION A-A



SECTION F-F  
SCALE FULL



SECTION G-G

REV	ECN	BY	DATE	REV	ECN	BY	DATE
(E)				(L)			
(D)				(K)			
(C)				(H)			
(B)				(G)			
(A)	Y366	TDC	7-15-02	(F)			

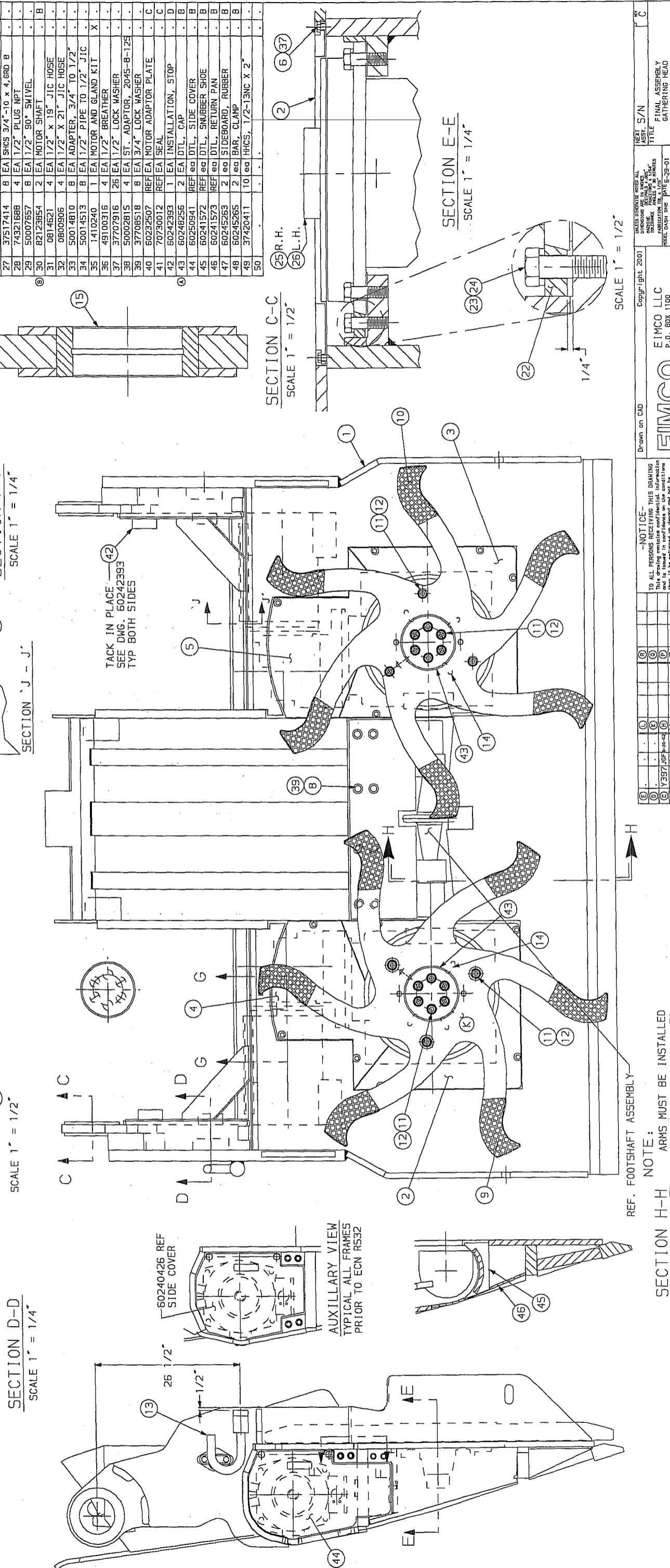
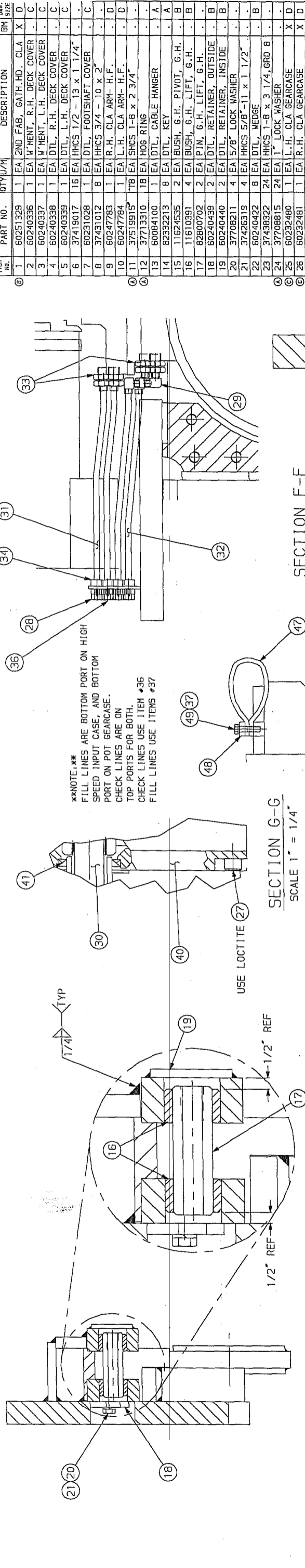
UNLESS OTHERWISE NOTED ALL DIMENSIONS ARE IN INCHES FRACTIONS 1/32"	NEXT ASSY.	REV
PRECISION FRACTIONS 1/64"	TITLE	A
INDICATION TOL 1/16"	ASS'Y, MANIFOLD, BOOM, SINGL	
MODEL DASH ONE DATE 7-15-02	TDC	
WEIGHT	EGO	
SCALE 1/8"	CHIEF ENGR	
DO NOT SCALE	Part No.	
	60251328	
	DWG SIZE	C

**-NOTICE-**  
TO ALL PERSONS RECEIVING THIS DRAWING  
This drawing contains confidential information  
and is issued in confidence on the conditions  
that it be returned on demand and not be  
copied, reproduced, disclosed to others or  
used in the manufacture of the subject matter  
thereof without the consent of Eimco LLC.

Drawn on Unigraphics Copyright 2002  
**EIMCO**  
A SHAWTR COMPANY  
EIMCO LLC  
P.O. BOX 1100  
BLUEFIELD WV 24701-1100  
304-327-0260

**BILL OF MATERIAL**

ITEM NO.	PART NO.	QTY/U/M	DESCRIPTION	BM SIZE
1	60251329	1 EA	2ND FAB, GATH. HD. CLA	X D
2	60240336	1 EA	1' W' MENT, R.H. DECK COVER	C
3	60240337	1 EA	1' W' MENT, L.H. DECK COVER	C
4	60240338	1 EA	DTL, R.H. DECK COVER	C
5	60240339	1 EA	DTL, L.H. DECK COVER	C
6	37419017	16 EA	HHCS 1/2 - 13 x 1 1/4"	C
7	60231028	1 EA	DTL, FOOTSHAFT COVER	C
8	37431012	8 EA	HHCS 3/4 - 10 x 2"	C
9	60247784	1 EA	R.H. CLA ARM- H.F.	D
10	60247784	1 EA	L.H. CLA ARM- H.F.	D
11	37519915	18 EA	SHCS 1-8 x 2 3/4"	D
12	37713310	18 EA	HOB RING	D
13	60084100	1 EA	DTL, CABLE HANGER	A
14	82332213	8 EA	DTL, KEY	A
15	11624535	2 EA	BUSH, G.H. PIVOT, G.H.	B
16	11610391	4 EA	BUSH, G.H. LIFT, G.H.	B
17	82800702	2 EA	PIN, G.H. LIFT, G.H.	B
18	60240439	2 EA	DTL, RETAINER, OUTSIDE	B
19	60240440	2 EA	DTL, RETAINER, INSIDE	B
20	37708211	4 EA	5/8" LOCK WASHER	B
21	37426319	4 EA	HHCS 5/8"-11 x 1 1/2"	B
22	60240422	8 EA	DTL, WEDGE	B
23	37498322	24 EA	HHCS 1-8 x 3 1/4 GRD B	B
24	37708815	24 EA	1" LOCK WASHER	B
25	60232480	1 EA	L.H. CLA GEARCASE	X D
26	60232481	1 EA	R.H. CLA GEARCASE	X D
27	37517414	8 EA	SHCS 3/4"-10 x 4 GRD B	B
28	74321688	4 EA	1/2" PLUG NPT	B
29	50007657	8 EA	1/2" 90° SWIVEL	B
30	82123854	2 EA	MOTOR SHAFT	B
31	0814621	4 EA	1/2" x 19" JIC HOSE	B
32	0800906	4 EA	1/2" x 21" JIC HOSE	B
33	50014810	8 EA	ADAPTER, 3/4" TO 1/2"	B
34	50014513	8 EA	1/2" PIPE TO 1/2" JIC	B
35	1410240	1 EA	MOTOR AND GLAND KIT	X
36	49100316	4 EA	1/2" BREATHER	B
37	37707916	26 EA	1/2" LOCK WASHER	B
38	50002815	4 EA	ST. ADPTOR, 2045-B-125	B
39	37708518	8 EA	3/4" LOCK WASHER	C
40	60232507	REF	MOTOR ADPTOR PLATE	C
41	70730012	REF	EA SEAL	C
42	60242393	1 EA	INSTALLATION, STOP	D
43	60248256	2 EA	DTL, CAP	B
44	60250941	REF	ea DTL, SIDE COVER	B
45	60241572	REF	ea DTL, SNUBBER SHOE	B
46	60241573	REF	ea DTL, RETURN PAN	B
47	60245263	2 ea	SIDEBOARD, RUBBER	B
48	60245265	2 ea	BAR, CLAMP	B
49	37420411	10 ea	HHCS, 1/2-13NC X 2"	B



Copyright 2001

Drawn on CAD

**EIMCO**  
A SHIMCO COMPANY

EIMCO LLC  
P.O. BOX 1100  
BLUEFIELD WV 26011-1100  
304-327-0260

**NOTICE-**  
TO ALL PERSONS RECEIVING THIS DRAWING  
This drawing contains confidential information  
and is the property of Eimco LLC. It is to be  
used only for the project and location  
specified. It is not to be reproduced, copied,  
distributed, or otherwise used without the  
written consent of Eimco LLC.

REV	ECN	BY	DATE	REV	ECN	BY	DATE
1				1			
2				2			
3				3			
4				4			
5				5			
6				6			
7				7			
8				8			
9				9			
10				10			
11				11			
12				12			
13				13			
14				14			
15				15			
16				16			
17				17			
18				18			
19				19			
20				20			
21				21			
22				22			
23				23			
24				24			
25				25			
26				26			
27				27			
28				28			
29				29			
30				30			
31				31			
32				32			
33				33			
34				34			
35				35			
36				36			
37				37			
38				38			
39				39			
40				40			
41				41			
42				42			
43				43			
44				44			
45				45			
46				46			
47				47			
48				48			
49				49			

TEST ASSY. S/N

FINAL ASSEMBLY GATHERING HEAD

DWG No. 60250604

REV. DATE

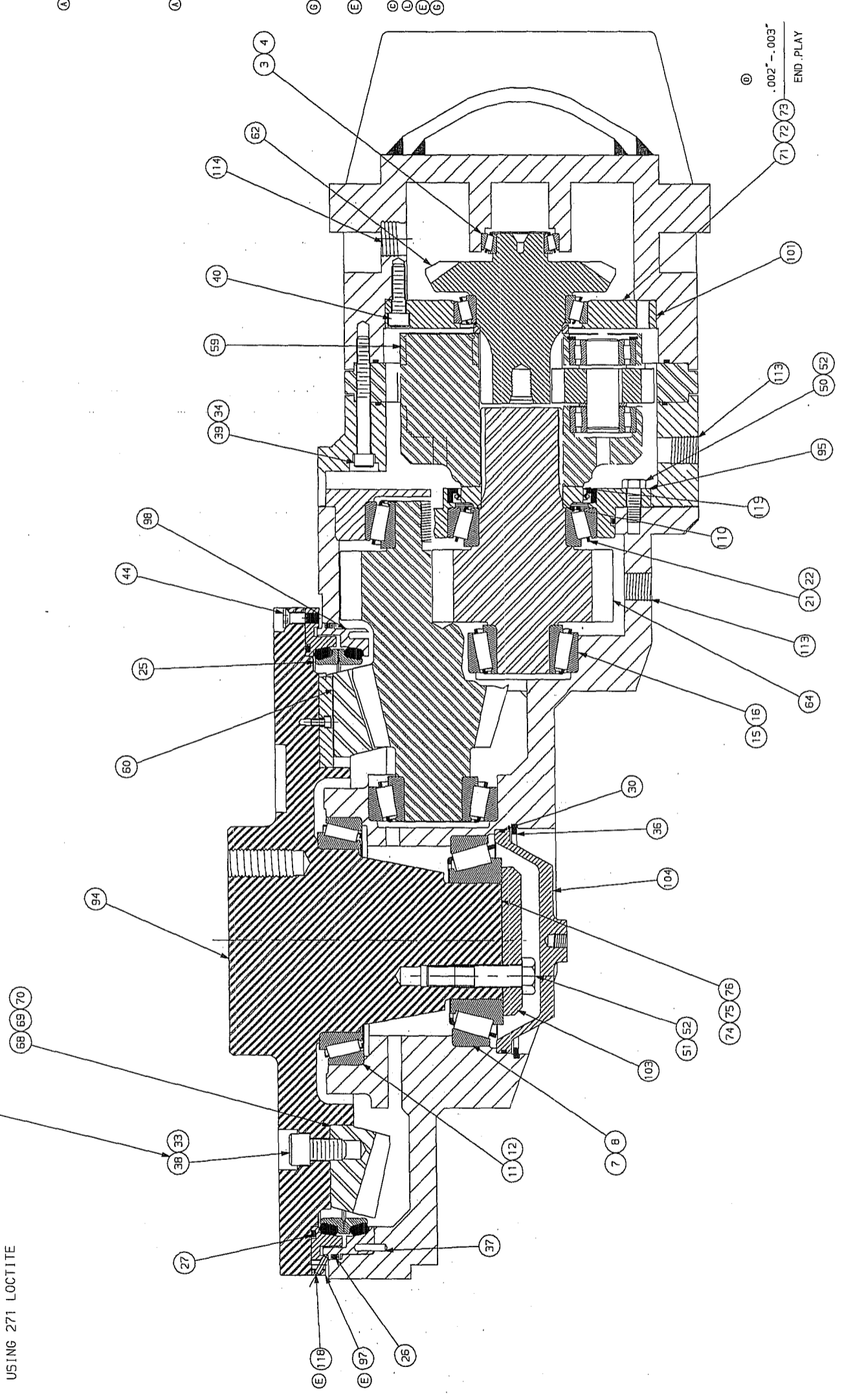
60250604

B/M No. 60232481 - SH2

**BILL OF MATERIAL**

ITEM NO.	PART NO.	QTY/U/M	DESCRIPTION	BM SIZE
81	84227259	3 ea	SHIM .007	B
82	84227260	3 ea	SHIM .005	B
83	84227261	3 ea	SHIM .020	B
84	84227262	3 ea	SHIM .007	B
85	84227263	3 ea	SHIM .005	B
86	84227264	3 ea	SHIM .020	B
87	84227265	3 ea	SHIM .007	B
88	84227266	3 ea	SHIM .005	B
89	84227267	3 ea	SHIM .020	B
90	84227268	3 ea	SHIM .007	B
91	84227269	3 ea	SHIM .020	B
92	82123723	3 ea	SHAFT	B
93	43226911	1 ea	INT. SPUR GEAR	C
94	60233121	1 ea	TURN TABLE	X D
95	60232923	1 ea	CARRIER	C
96	60233186	1 ea	CARRIER	C
97	60232928	1 ea	CARRIER	D
98	60232942	1 ea	CARRIER	D
99	60232924	1 ea	CARRIER	C
100	60233128	1 ea	CARRIER	C
101	60233123	1 ea	CARRIER	B
102	60233129	1 ea	CARRIER	B
103	60232922	1 ea	CAP	B
104	60232926	1 ea	CAP	C
105	37419322	6 ea	HHCS 1/2-13X 1 1/2 GR8	
106	37507670	6 ea	SHCS 3/8-18X 1	
107	37514411	17 ea	SHCS 5/8-11X 2 1/4	
108	37707916	6 ea	LOCK WASHER	
109	37710613	17 ea	LOCK WASHER	
110	71207310	1 ea	O-RING 1/8X3	
111	60232507	1 ea	ADAPTER PLATE	C
112	71212856	1 ea	O-RING 1/8X 9 3/4	
113	74321795	6 ea	3/4" PLUG	
114	74321910	2 ea	1" PLUG	
115	11400710	6 ea	STR. ROLLER BEARING	
116	71903836	1 ea	SEAL OIL	
117				
118	82909896	2 ea	PIN DOWEL, 3/16 x 3/4	
119	60247962	1 ea	DTL, SPACER	B

(H) TORQUE BOLTS TO 325-350 FT LBS  
USING 271 LOCTITE



REV	ECN	BY	DATE	REV	ECN	BY	DATE
1	1	...	...	1	1	...	...
2	2	...	...	2	2	...	...
3	3	...	...	3	3	...	...
4	4	...	...	4	4	...	...
5	5	...	...	5	5	...	...
6	6	...	...	6	6	...	...
7	7	...	...	7	7	...	...
8	8	...	...	8	8	...	...
9	9	...	...	9	9	...	...
10	10	...	...	10	10	...	...
11	11	...	...	11	11	...	...
12	12	...	...	12	12	...	...
13	13	...	...	13	13	...	...
14	14	...	...	14	14	...	...
15	15	...	...	15	15	...	...
16	16	...	...	16	16	...	...
17	17	...	...	17	17	...	...
18	18	...	...	18	18	...	...
19	19	...	...	19	19	...	...
20	20	...	...	20	20	...	...
21	21	...	...	21	21	...	...
22	22	...	...	22	22	...	...
23	23	...	...	23	23	...	...
24	24	...	...	24	24	...	...
25	25	...	...	25	25	...	...
26	26	...	...	26	26	...	...
27	27	...	...	27	27	...	...
28	28	...	...	28	28	...	...
29	29	...	...	29	29	...	...
30	30	...	...	30	30	...	...
31	31	...	...	31	31	...	...
32	32	...	...	32	32	...	...
33	33	...	...	33	33	...	...
34	34	...	...	34	34	...	...
35	35	...	...	35	35	...	...
36	36	...	...	36	36	...	...
37	37	...	...	37	37	...	...
38	38	...	...	38	38	...	...
39	39	...	...	39	39	...	...
40	40	...	...	40	40	...	...
41	41	...	...	41	41	...	...
42	42	...	...	42	42	...	...
43	43	...	...	43	43	...	...
44	44	...	...	44	44	...	...
45	45	...	...	45	45	...	...
46	46	...	...	46	46	...	...
47	47	...	...	47	47	...	...
48	48	...	...	48	48	...	...
49	49	...	...	49	49	...	...
50	50	...	...	50	50	...	...
51	51	...	...	51	51	...	...
52	52	...	...	52	52	...	...
53	53	...	...	53	53	...	...
54	54	...	...	54	54	...	...
55	55	...	...	55	55	...	...
56	56	...	...	56	56	...	...
57	57	...	...	57	57	...	...
58	58	...	...	58	58	...	...
59	59	...	...	59	59	...	...
60	60	...	...	60	60	...	...
61	61	...	...	61	61	...	...
62	62	...	...	62	62	...	...
63	63	...	...	63	63	...	...
64	64	...	...	64	64	...	...
65	65	...	...	65	65	...	...
66	66	...	...	66	66	...	...
67	67	...	...	67	67	...	...
68	68	...	...	68	68	...	...
69	69	...	...	69	69	...	...
70	70	...	...	70	70	...	...
71	71	...	...	71	71	...	...
72	72	...	...	72	72	...	...
73	73	...	...	73	73	...	...
74	74	...	...	74	74	...	...
75	75	...	...	75	75	...	...
76	76	...	...	76	76	...	...

Copyright 1989

EIMCO LLC  
P.O. BOX 1100  
BLUEFIELD WV 24701-1100  
304-327-0250

A JAMNEN COMPANY

EMCO

Drawn on CAD

NEXT ASSY NO. 60232538  
TITLE GATHERING HEAD  
GEAR CASE  
ASSEMBLY R.H.  
REV NO. PART NO.  
SCALE 1/2  
DO NOT SCALE

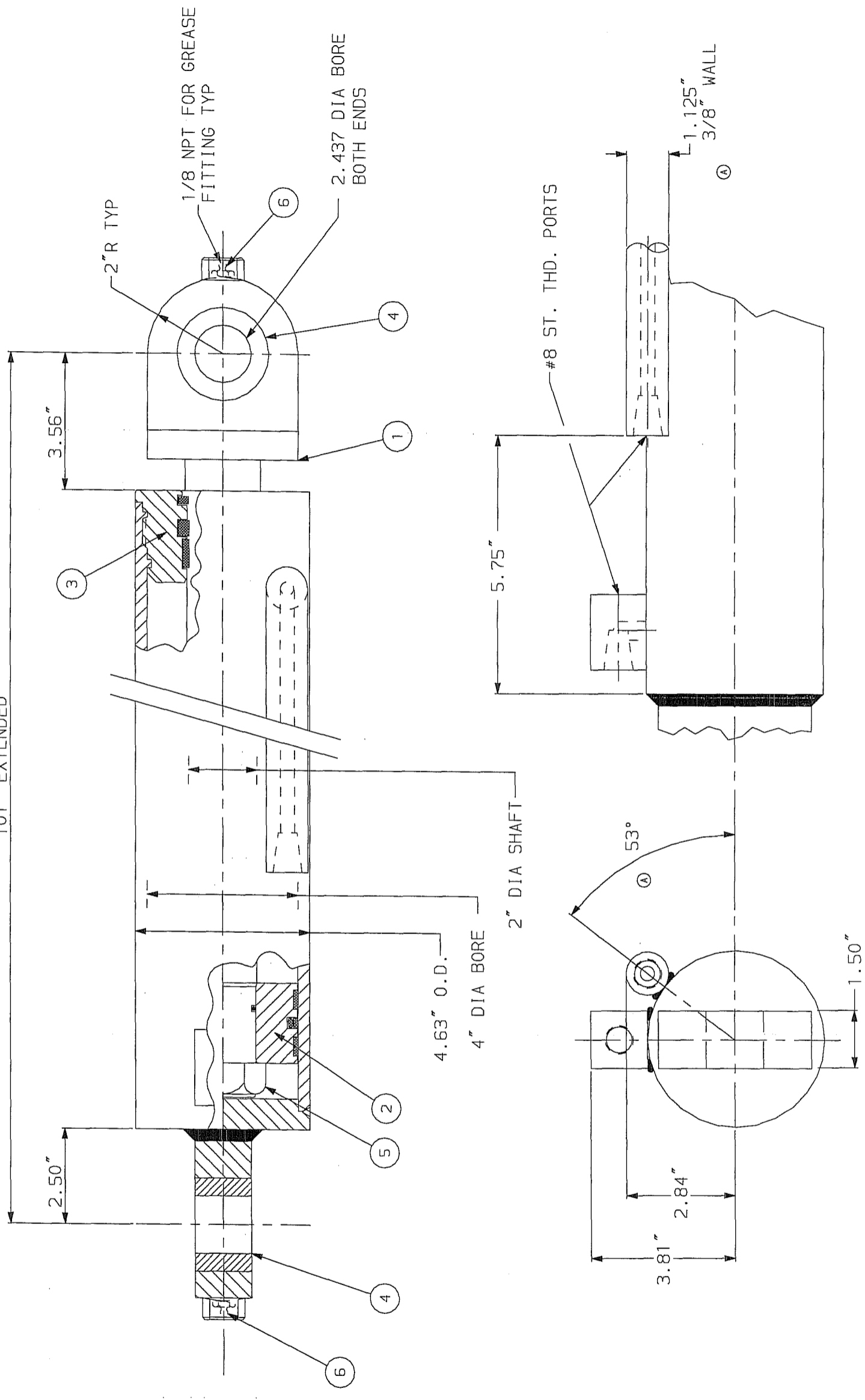
REVISIONS

REV	ECN	BY	DATE	REV	ECN	BY	DATE
1	1	...	...	1	1	...	...
2	2	...	...	2	2	...	...
3	3	...	...	3	3	...	...
4	4	...	...	4	4	...	...
5	5	...	...	5	5	...	...
6	6	...	...	6	6	...	...
7	7	...	...	7	7	...	...
8	8	...	...	8	8	...	...
9	9	...	...	9	9	...	...
10	10	...	...	10	10	...	...
11	11	...	...	11	11	...	...
12	12	...	...	12	12	...	...
13	13	...	...	13	13	...	...
14	14	...	...	14	14	...	...
15	15	...	...	15	15	...	...
16	16	...	...	16	16	...	...
17	17	...	...	17	17	...	...
18	18	...	...	18	18	...	...
19	19	...	...	19	19	...	...
20	20	...	...	20	20	...	...
21	21	...	...	21	21	...	...
22	22	...	...	22	22	...	...
23	23	...	...	23	23	...	...
24	24	...	...	24	24	...	...
25	25	...	...	25	25	...	...
26	26	...	...	26	26	...	...
27	27	...	...	27	27	...	...
28	28	...	...	28	28	...	...
29	29	...	...	29	29	...	...
30	30	...	...	30	30	...	...
31	31	...	...	31	31	...	...
32	32	...	...	32	32	...	...
33	33	...	...	33	33	...	...
34	34	...	...	34	34	...	...
35	35	...	...	35	35	...	...
36	36	...	...	36	36	...	...
37	37	...	...	37	37	...	...
38	38	...	...	38	38	...	...
39	39	...	...	39	39	...	...
40	40	...	...	40	40	...	...
41	41	...	...	41	41	...	...
42	42	...	...	42	42	...	...
43	43	...	...	43	43	...	...
44	44	...	...	44	44	...	...
45	45	...	...	45	45	...	...
46	46	...	...	46	46	...	...
47	47	...	...	47	47	...	...
48	48	...	...	48	48	...	...
49	49	...	...	49	49	...	...
50	50	...	...	50	50	...	...
51	51	...	...	51	51	...	...
52	52	...	...	52	52	...	...
53	53	...	...	53	53	...	...
54	54	...	...	54	54	...	...
55	55	...	...	55	55	...	...
56	56	...	...	56	56	...	...
57	57	...	...	57	57	...	...
58	58	...	...	58	58	...	...
59	59	...	...	59	59	...	...
60	60	...	...	60	60	...	...
61	61	...	...	61	61	...	...
62	62	...	...	62	62	...	...
63	63	...	...	63	63	...	...
64	64	...	...	64	64	...	...
65	65	...	...	65	65	...	...
66	66	...	...	66	66	...	...
67	67	...	...	67	67	...	...
68	68	...	...	68	68	...	...
69	69	...	...	69	69	...	...
70	70	...	...	70	70	...	...
71	71	...	...	71	71	...	...
72	72	...	...	72	72	...	...
73	73	...	...	73	73	...	...
74	74	...	...	74	74	...	...
75	75	...	...	75	75	...	...
76	76	...	...	76	76	...	...

NOTICE -  
TO ALL PERSONS RECEIVING THIS DRAWING  
This drawing contains confidential information  
and is to be used only for the purposes  
specified. It is not to be copied, reproduced,  
distributed to others or used in the manufacture of parts without the  
written consent of EIMCO LLC.

ITEM NO.	PART NO.	QTY/U/M	DESCRIPTION	DMG. SIZE	BM
1	49002692	1 EA	ROD		
2	49002693	1 EA	PISTON		
3	49002694	1 EA	GLAND		
4	49002695	2 EA	BEARING		
5	49002684	1 EA	SELF LOCKING NUT		
6	50087410	2 EA	GREASE FITTING		
.	71015802	1 EA	SEAL KIT		

57" CLOSED  
101" EXTENDED



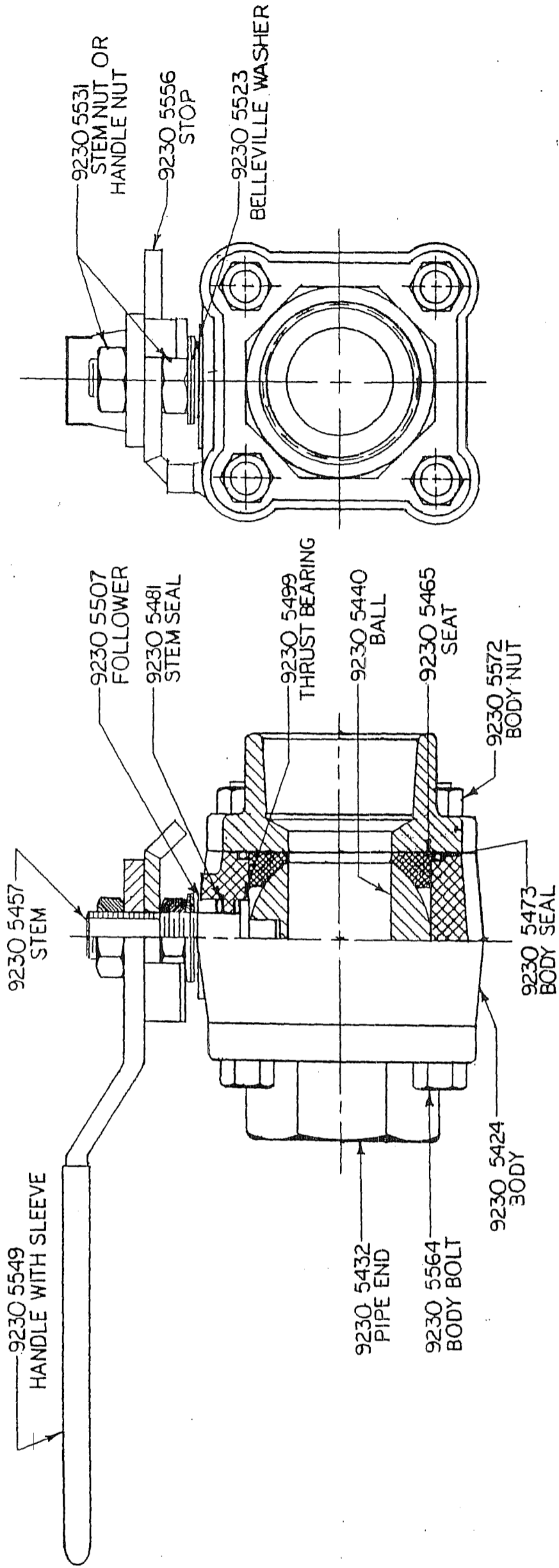
REV	ECN	BY	DATE	REV	ECN	BY	DATE
(E)							
(D)							
(C)							
(B)							
(A)	U056	JGF	3-14-97	(E)			

**-NOTICE-**  
TO ALL PERSONS RECEIVING THIS DRAWING  
This drawing contains confidential information  
and is issued in confidence on the conditions  
that it be returned on demand and not be  
copied, reproduced, disclosed to others or  
used in the manufacture of the subject matter  
thereof without the consent of Eimco LLC.

Drawn on CAD  
**EIMCO**  
A SANDVIK COMPANY  
EIMCO LLC  
P.O. BOX 1100  
BLUEFIELD WV 24701-1100  
304-327-0260  
Copyright 1988

UNLESS OTHERWISE NOTED ALL  
DIMENSIONS ARE IN INCHES  
DECIMALS ± .005"  
FRACTIONS ± 1/64"  
TOLERANCE FRACTIONS ± 1/16"  
FABRICATION TOL ± 1/16"  
NEXT ASSY.  
TITLE  
HYD CYLINDER  
CONVEYOR SWING  
2810-1  
DMG No. / PART No.  
49002799  
C

9200 0074



NOTES

- MAX. PRESSURE RATING 750 PSIG.
- MAX. TEMPERATURE RATING 300°F
- MATERIALS FOR WETTED PARTS:
- BALL SEATS & BODY SEALS — TEFLON
- STEM PACKING — TEFLON
- 1" NPT. PORTS

# ELMCO

2WAY-BALL VALVE

MODEL

UNLESS OTHERWISE NOTED:  
DIMENSIONS ARE IN INCHES  
MACH. { DECIMALS ± .005"  
TOL. { FRACTIONS ± .010"  
ANGLES ± 30 minutes

WEIGHT

Drwn.&Dt. EH 5/23/75 Checked J.V. 8/19/77

Scale Ref.

DO NOT SCALE DRAWING Sheet 1 Of 1

DRAWING NO.

9200 0074 9200 0074-B

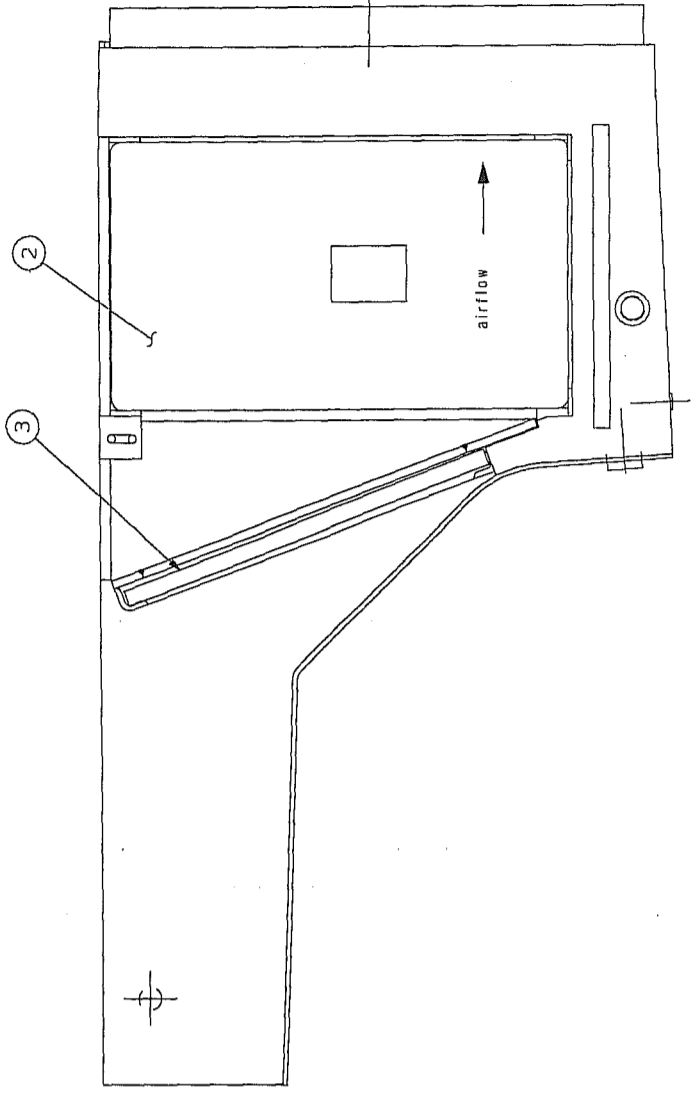
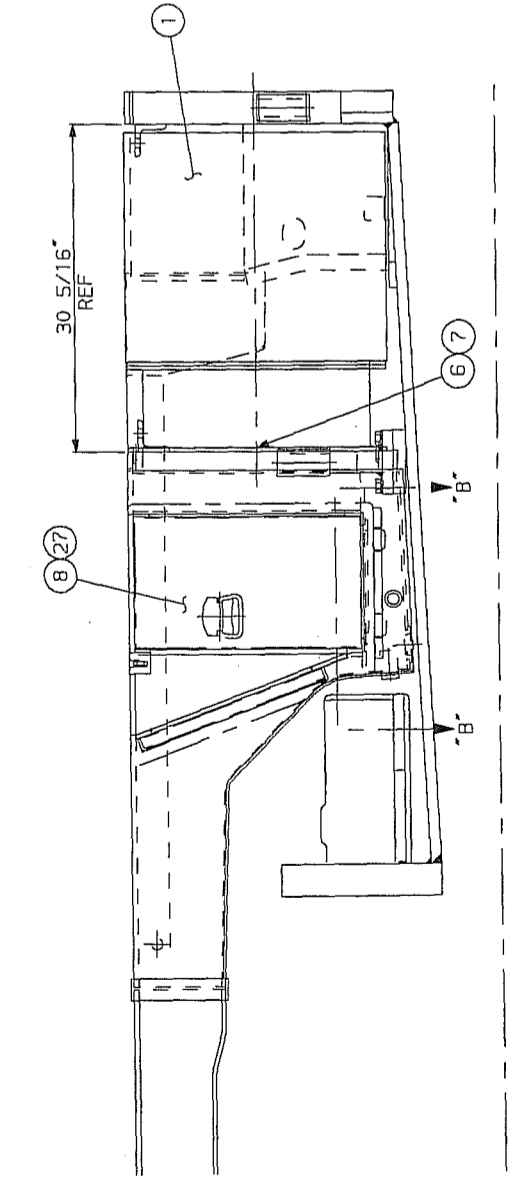
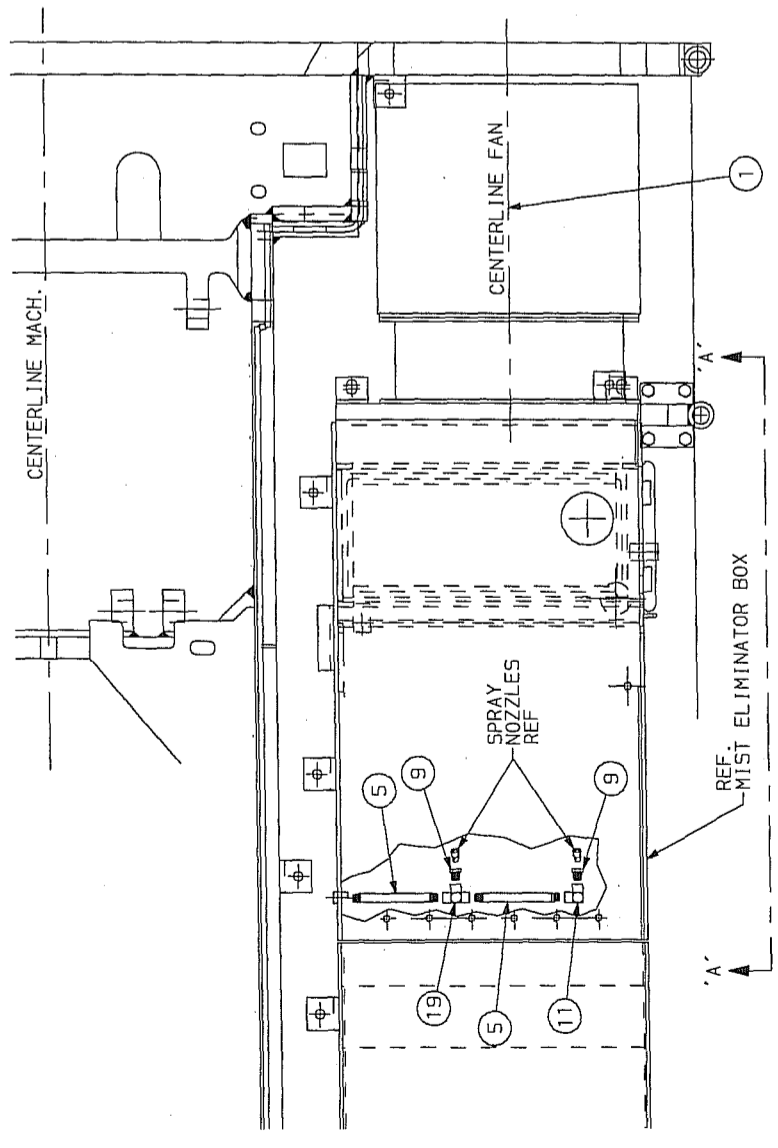
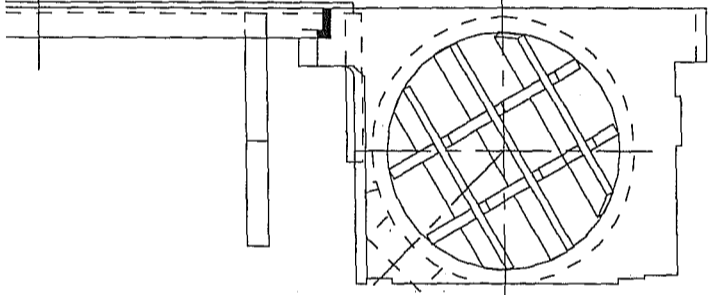
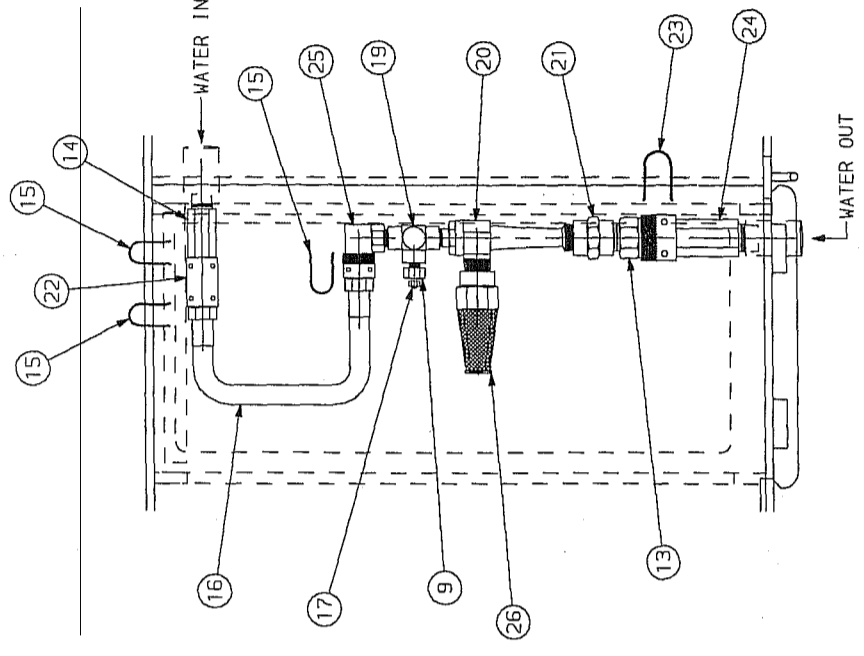
G	
F	
E	
D	
C	
B	
A	

Sym/Loc/ECN/Date, Initials  
REVISIONS  
5/14/84

BILL OF MATERIAL

ITEM NO.	PART NO.	QTY	U/M	DESCRIPTION	BM SIZE
1	60249769	1	EA	FAN, 6000 CFM, SILENCED	
2	60231742	1	EA	ASS'Y MIST ELIMINATOR	
3	60235239	1	EA	FILTER, SCREEN TYPE 30 MESH	B
4					
5	74506148	2	EA	1/2" PIPE NIPPLE 8" LG	
6	37418415	12	EA	HHCS 1/2-13 X 1" LG	
7	37707916	12	EA	1/2" LOCKWASHER	
8	60243180	REF	EA	DEMISTER/SCREEN COVER	X B
9	50026418	3	EA	BUSHING 1/2" - 1/4" PIPE	
10	99024510	1	PR	PAINT, CEILGARD 615 WHITE	
11	50029453	1	EA	ELBOW 90° 1/2" FP	
12					
13	50002021	1	EA	SHIVEL 16-16 NPT-STAPLOK	
14	2096133	1	EA	NIPPLE 8-8 NPT-STAPLOK	
15	50001197	3	EA	1/2" STAPLE	
16	0202224	1	EA	1/2" HOSE STAPLE LOCK	
17	99014060	1	EA	SPRAY NOZZLE	
18					
19	50030311	2	EA	1/2" TEE 8-8-8	
20	78005535	1	EA	JET PUMP	
21	74306028	1	EA	1" COUPLER	
22	50111897	1	EA	1/2" COUPLING	
23	50001221	1	EA	1" STAPLE	
24	2090164	1	EA	NIPPLE 16-16 NPT-STAPLOK	
25	50033877	1	EA	8-8 ELBOW NPT-STAPLOK	
26	49310755	1	EA	DTL, SUCTION STRAINER	
27	60243181	REF	EA	DTL, COVER GASKET	B

NOTE:  
1. USE 99024510 PAINT SUPPLIED FOR PAINTING INSIDE OF SCRUBBER DUCT AND MIST ELIMIN. BOX



VIEW 'A-A'  
SCALE: 1/4

REV	ECN	BY	DATE	REV	ECN	BY	DATE
(E)							
(C)							
(U)							
(B)							
(A)							

Copyright 2002  
EIMCO LLC  
P.O. BOX 1100  
BLUEFIELD WV 24701-1100  
304-327-0260  
A SHAW COMPANY

ASSEMBLY SCRUBBER  
6000 CFM SCRUBBER  
DASH LTD  
60251113  
D

CLICK HERE TO **DOWNLOAD** THE COMPLETE MANUAL

- Thank you very much for reading the preview of the manual.
- You can download the complete manual from: [www.heydownloads.com](http://www.heydownloads.com) by clicking the link below



- Please note: If there is no response to CLICKING the link, please download this PDF first and then click on it.

CLICK HERE TO **DOWNLOAD** THE COMPLETE MANUAL