



Parts Catalog

CLICK HERE TO **DOWNLOAD** THE COMPLETE MANUAL

- Thank you very much for reading the preview of the manual.
- You can download the complete manual from: www.heydownloads.com by clicking the link below



- Please note: If there is no response to CLICKING the link, please download this PDF first and then click on it.

CLICK HERE TO **DOWNLOAD** THE COMPLETE MANUAL

EIMCO

SECTION	PART NO.	DESCRIPTION	DRAWING NO.
---------	----------	-------------	-------------

3 - ELECTRICAL - OPERATOR'S CASE

8710433		MATRIX X OPER OE FPBB SR 2B BR2 TD MH	BM
5030242		OPERATOR CASE STANDARD ASSY -2	D
1610936		WD OPER FP OE SR 2B BR NC EB MH	D
1090261		PUSHBUTTON OPERATOR ASSY	A
60246564		COVER STANDARD ASSEMBLY OPERATOR -2	D
1410466		OPTION OE OUTBY E STOP OPER CASE	C
1410508		OPT FP OPERATOR CASE FORCED POTATO	C
1410469		OPTION SR SCRUBBER OPT OPER CASE	C
1410913		OPT MH HAULAGE TO MINER SHUT DOWN-12	C
1410473		OPTION BR2 2BREAKER RESET OPER CASE	C
1410476		OPTION TD TRAM DEADMAN OPERATOR CASE	C
1410609		OPT 2B W/1150077 FRAME -2 OPER CASE	C
*1150077		BREAKER 400A 1KV(AC-ONLY) W/120S.TRI CB1,2 &3	*

4 - ELECTRICAL - TRAM CASE (RIGHT SIDE)

8710417		MATRIX TRAM RL FP TBR CM CT E1	BM
5030343		STANDARD ASSY TRAM W/BREAKER -123	D
1610895		WD TRAM EI RL FP TB CT	D
91930111		TROUBLE SHOOTING PROCEDURE	B
1210204		DRIVE EIMCO F/1010238 REL MTR	D
1410296		TRAM CASE RL	C
1410865		OPT E1 EIMCO DRIVE TRAM CASE	C
1410851		OPT CT CUTTER MOTOR FEED BACK	B
1410624		OPT FP FORCE POTATO TRAM CASE	C
1410637		OPT TBR TRAM BREAKER RESET	C
1410639		OPT CM COVER & METER	B

5 - HYDRAULIC SYSTEM

50134698		HYDRAULIC SCHEMATIC DASH TWO	D
92002120		VALVE BANK, 5 SECTION, XP	A
92602937		INLET ASSEMBLY	B
92305622		SECTION, SHEAR	C
92305630		SECTION, GATHERING HEAD	C
92305648		SECTION, CONVEYOR LIFT	C
92305655		SECTION, CONVEYOR SWING	C
92304682		SECTION, STABILIZER	C
92602945		OUTLET ASSEMBLY	B
*92307966		SOLENOID VALVE COMPLETE	*
49310557		HYDRAULIC PILOT VALVE ASSEMBLY	B

SECTION	PART NO.	DESCRIPTION	DRAWING NO.
---------	----------	-------------	-------------

5 - HYDRAULIC SYSTEM (continued)

*49310730		FILTER PILOT	*
*49310731		FILTER ELEMENT	*
*49300080		RETURN FILTER	*
*81400053		ELEMENT, FILTER (10 MICRON) F/49300080	*
*78005535		POWER FILL PUMP	*
60250446		INST PUMP MOTOR COUPLING PUMP-MOTOR	B
*78044691		PUMP, 32-5, B MOUNT, C SHAFT	*
*2046012		FILTER PILOT CIRCUIT 10 MICRON	A
49002911		CYLINDER SHEAR CUTTER HEAD	D
91930130		OVER CENTER VALVE SPECIFICATION	B
49002791		GATHERING HEAD LIFT CYLINDER	D
49002743		CYLINDER CONV LIFT	C
49002501		STABILIZER CYLINDER	C
50134700		CKT, HYDRAULIC	D
49311152		RELIEF BLOCK, SHEAR DOWN	C
2246161		VALVE, PRESSURE REDUCING	A
*49310898		PRV CART FOR 49310898 1000PSI	*
49311134		VALVE, RELIEF 120-1000 PSI 14 GPM	A

6 - TRACTION FRAME

60251209		INSTL, T.F. FINAL ASSEMBLY	D
60244944		INSTALLATION BREATHER	D
60251208		T.F. FINAL FAB	D
60251287		ASSEMBLY, HYD. COMPARTMENT	D
60251171		INSTL, RUB RAILS	D
60251099		INSTL, TOP COVERS	D
60241319		PIN INSTALLATION	D
60246860		BUSHING INSTALLATION	D

PHOTO SUPPLEMENTATION

P-70880253		PILOT FILTERS	MVC-001
P-70880253		PAN ASSIST & SOLENIOD	MVC-006
P-70880253		SEQUENCE VALVE FAN	MVC-007
P-70880253		CIRCUIT BREAKER RESET /PRESSURE REDUCING VAVLE	MVC-008
P-70880253		BI-DIRECTIONAL VALVE	MVC-011
P-70880253		BI-DIRECTIONAL VALVE	MVC-010
P-70880253		MANUAL SPRAY VALVES	MVC-009
P-70880253		MAIN WATER TREE	MVC-005
P-70880353		WATER FILTER	MVC-004
P-70880253		SHEAR DOWN RELIEF	MVC-003
P-70880253		VALVE BANKS & METHANE MONITOR	MVC-002

*Indicates Drawing Not Included In Parts Catalog - For Reference Only.

APPROVAL AND CERTIFICATION CENTER
STATEMENT OF TEST AND EVALUATION (STE)
STAMPED NOTIFICATION ACCEPTANCE PROGRAM

Applicant: OCENCO INCORPORATED

To the Attention of: _____

Address: Rt. 22 E., P.O. Box 8

Blairsville, PA 15717

Company Application Code Number
(Reference No.): 481601

Description of Change: _____

Date: 4-30-91

STE Number: 5004816

FOR OFFICIAL USE ONLY
APPROVAL & CERTIFICATION
CENTER
MODIFICATION ACCEPTED

MAY 15 1991

SNAP NO. 14843

[Signature]
Eng. Supervisor

PHILADELPHIA
91 MAY -2 PM 2:25
APPROVAL & CERTIFICATION
CENTER

ADDED ALTERNATE LOCATION 8'-4" (LAMP #3)

The following documents are being submitted with this application:

TITLE	DOCUMENT NUMBER	COMPANY	REVISION NUMBER OR DATE
LAMP ARRANGEMENT EIMCO 2810L	BL33004	OCENCO INC.	1
LIGHT SURVEY (ALT. LOCATION) EIMCO 2810L	BS33008	OCENCO INC.	4-22-91

Date sent to MSHA Finance Branch: 4-30-91

Check No. and Amt. 9589 \$42.00

Signature: *[Signature]*

Title: SENIOR DESIGNER

U.S. Department of Labor

Mine Safety and Health Administration
Industrial Park Road
RR 1, Box 251
Triadelphia, West Virginia 26059

Refer to Attn of:
MSHA:A&CC:PAR: 72828

April 11, 1991

To: Ocenco, Incorporated
P. O. Box 8, Rt. 22 East
Blairsville, Pennsylvania 15717

Subject: Test and Evaluation of machine-mounted illumination systems

The illumination system listed on the drawings below has been tested and evaluated in accordance with 30 CFR, Section 75.1719 and the October 26, 1979 Illumination Policy Memorandum of the Administrator of Coal Mine Safety and Health. The system meets the requirements of 30 CFR, Section 75.1719-2(g) and Section 75.1719-1e 1, when installed and maintained on the equipment as indicated within the following parameters.

Machine Type: Miner Eimco 2810L

Applicable Drawings

Machine Layout	BL 33004	Revision	03/11/91
Oneline	CE 32901	Revision	3
Electrical(s)	CE 32901	Revision	3
Other (Composite)		Revision	

A metal plate (as shown below) shall be attached to the machine on which this illumination system is installed.

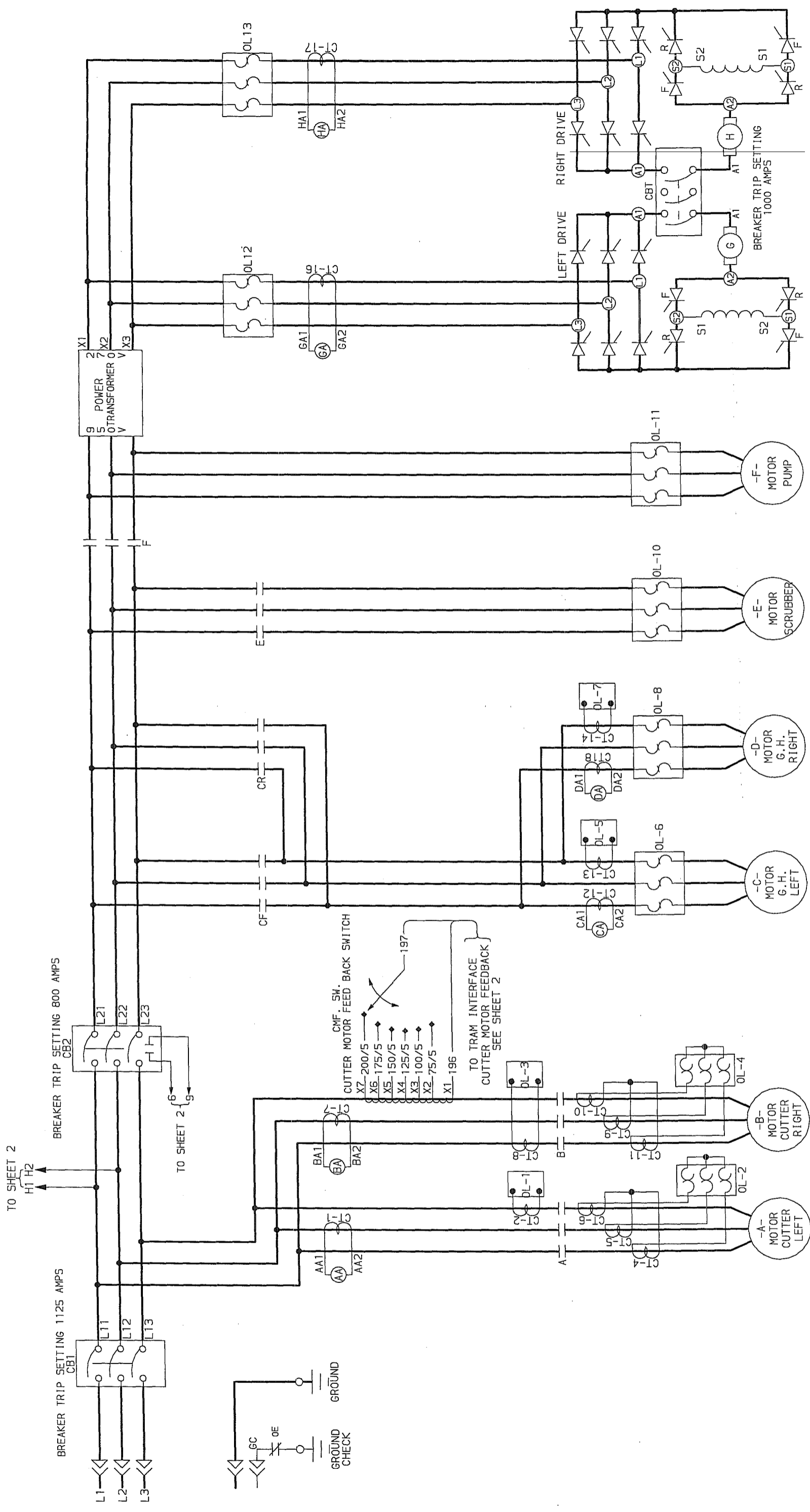
United States Department of Labor Mine Safety and Health Administration			
ILLUMINATION SYSTEM			
STE	5004816	Canopy OPT	Remote Control OPT
ENTRY	H - Max.	3.5 feet	W - Max. 20 feet
DIMENSIONS	H - Min.	N/A	W - Min. N/A
QTY	MFG. NAME		TYPE
2	OCENCO		HDL
2	OCENCO		INC

This letter shall be maintained at the mine where the illumination system is installed and upon request shall be made available to MSHA's enforcement personnel.

[Signature]
Kenneth P. Klouse

Chief, Engineering and Testing Division
Approval and Certification Center





MOTOR CONNECTION CHART FOR PROPER ROTATION

220 HP CUTTER MOTORS		CONVEYOR MOTORS		PUMP MOTOR		TRAM MOTORS								
LEFT A	RIGHT B	L11-T1	L12-T2	L13-T3	L21-T1	L22-T2	L23-T3	LEFT G	RIGHT H	R-A1	R-A2	W-A2	G-S1	B-S2
L11-T1	L12-T2	L13-T3	L21-T1	L22-T2	L23-T3	L21-T3	L22-T2	L23-T1	L21-T1	R-A1	R-A2	W-A2	G-S1	B-S2
L11-T1	L12-T2	L13-T3	L21-T1	L22-T2	L23-T1	L21-T3	L22-T2	L23-T1	L21-T1	R-A1	R-A2	W-A2	G-S1	B-S2

FOR LEGEND SEE DRAWING 1610307

EIMCO
P.O. BOX 1100
BLUFFIELD WY 24701-1100
304-327-0260

-NOTICE-
TO ALL PERSONS RECEIVING THIS DRAWING
IT IS TO BE RETURNED TO THE DRAWING OFFICE
AND IS TO BE KEPT IN CONFIDENCE ON THE CONDITION
THAT IT BE RETURNED ON DEMAND AND NOT BE
REPRODUCED OR COPIED IN ANY MANNER WITHOUT
THE WRITTEN PERMISSION OF THE MANUFACTURER
USED IN THE MANUFACTURE OF THE SUBJECT MOTOR
HEREIN WITHOUT THE CONSENT OF EIMCO LLC.

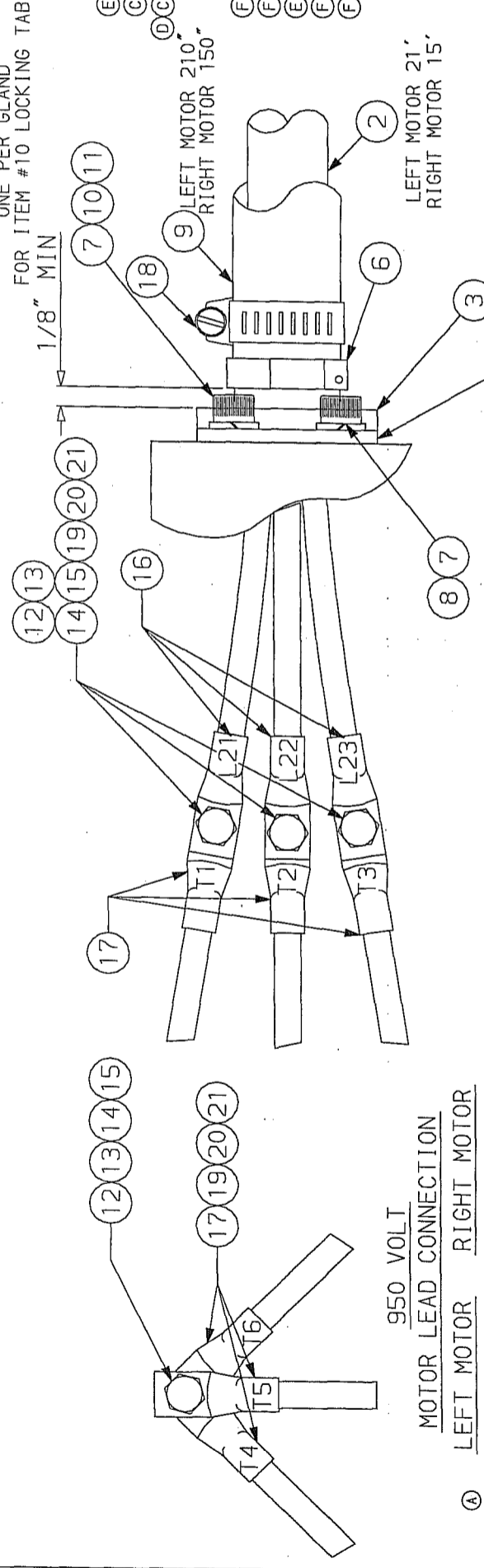
REV: ECN BY DATE REV: ECN BY DATE

DRAWN ON CAD
COPYRIGHT 2002
NEXT ASSY. MACHINE MASTER B/M
MOTOR WINDING
RESISTANCE
INSULATION
SCHEMATIC DIAGRAM
PP, OE, BR, LR, LC, V3, CT, MH, TB
SCALE: 1:1
CHECKED BY: []
DATE: []
DRAWING NO./PART NO.: 1610934.sh
SHEET 1 OF 2

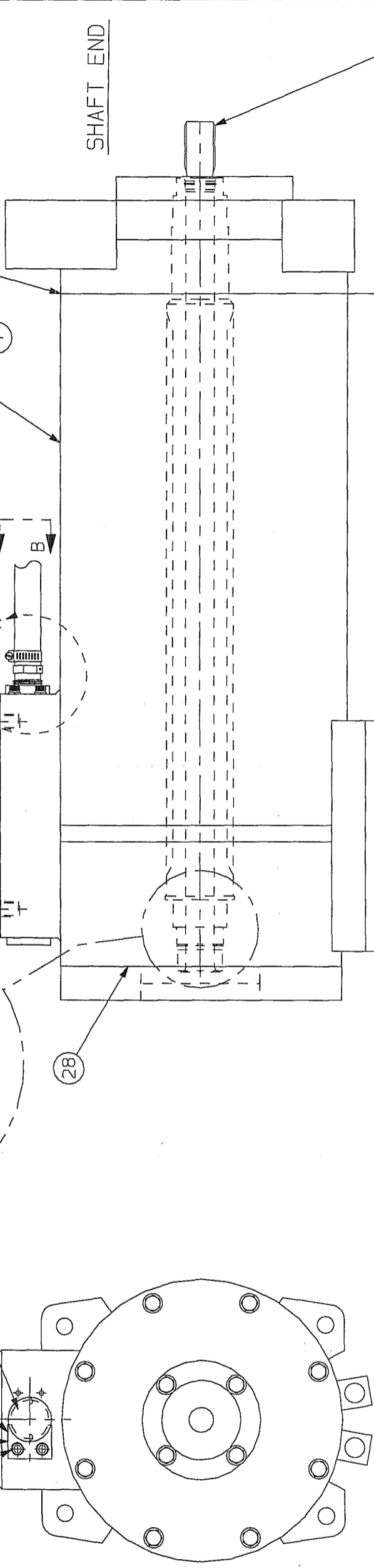
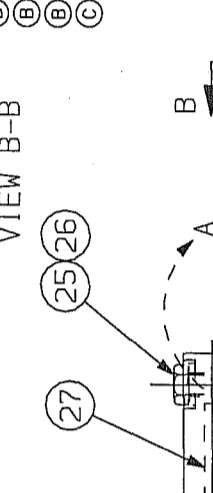
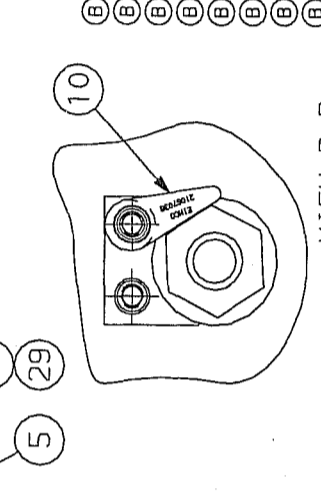
BILL OF MATERIAL

ITEM NO.	PART NO.	QTY/U/M	DESCRIPTION	DWG SIZE
1	1000293	2	EA MOTOR, 40HP, 950/550V 60HZ	.
2	19005339	36	FT CABLE, #6-3C POLYLOY	.
3	30066666	2	EA BOX, STUFFING	B
4	30087183	2	EA STUFFING BOX PLUG	B
5	30045082	4	EA CLAMP	A
6	30098883	2	EA GLAND ASSEMBLY	A
7	37559703	8	EA 3/8-16 x 7/8" SHCS GR.8	.
8	37707189	6	EA LOCKWASHER, 3/8"	.
9	50041615	360	IN CONDUIT HOSE, 1"	A
10	21067038	2	EA LOCKING TAB	B
11	37710365	2	EA 3/8" HI COLLAR LW	.
12	37400975	8	EA 1/4-20 x 5/8 HHCS CP	.
13	37101813	8	EA 1/4-20 HEX NUT CP	.
14	37706512	8	EA 1/4 LOCKWASHER CP	.
15	37700218	8	EA 1/4 FLATWASHER CP	.
16	30134993	6	EA #6 LUG W/ 1/4 HOLE	A
17	30135222	12	EA #8 LUG W/ 1/4 HOLE	A
18	74401779	2	EA HOSE CLAMP IDEAL #6416	A
19	99024772	2	RL TAPE, BLACK SCOTCH #33	.
20	99024771	2	RL TAPE, RUB. SCOTCH #130C	.
21	99024773	2	RL TAPE, GLASS SCOTCH #27	.
22	60241878	REF	EA PLUG, SHAFT	A
23	71204184	REF	EA O-RING	.
24	11701216	REF	EA RETAINER RING	.
25	37410628	REF	EA LOCKWASHER 3/8"	.
26	37707189	REF	EA HHCS 3/8-16X7/8"	.
27	71210512	REF	EA O-RING	.
28	71212906	REF	EA O-RING	.
29	71205066	4	EA O-RING	.

ONE PER GLAND
FOR ITEM #10 LOCKING TAB
1/8" MIN



950 VOLT
MOTOR LEAD CONNECTION
LEFT MOTOR RIGHT MOTOR
L21 to T3 L21 to T1
L22 to T2 L22 to T2
L23 to T1 L23 to T3
TIE T4, T5 AND T6 TOGETHER



SEE GATHERING HEAD ASS'Y
FOR SHAFT P/N

NOTES:
1. KIT CONTAINS ENOUGH PARTS TO WIRE UP 2 MOTORS

REV	ECN	BY	DATE	REV	ECN	BY	DATE
U705	LH	10-24-91		L			
U031	DLT	3-7-97		K			
S471	SS	7-25-95		H			
S215	LH	3-21-95		G			
Q366	HRB	2-11-93		F			
V486	LH	7-29-99					

Copyright 1993

TO ALL PERSONS RECEIVING THIS DRAWING
This drawing contains confidential information
and is issued in confidence on the conditions
that it be returned on demand and not be
copied, reproduced, disclosed to others or
used in the manufacture of the subject matter
thereof without the consent of Eimco LLC.

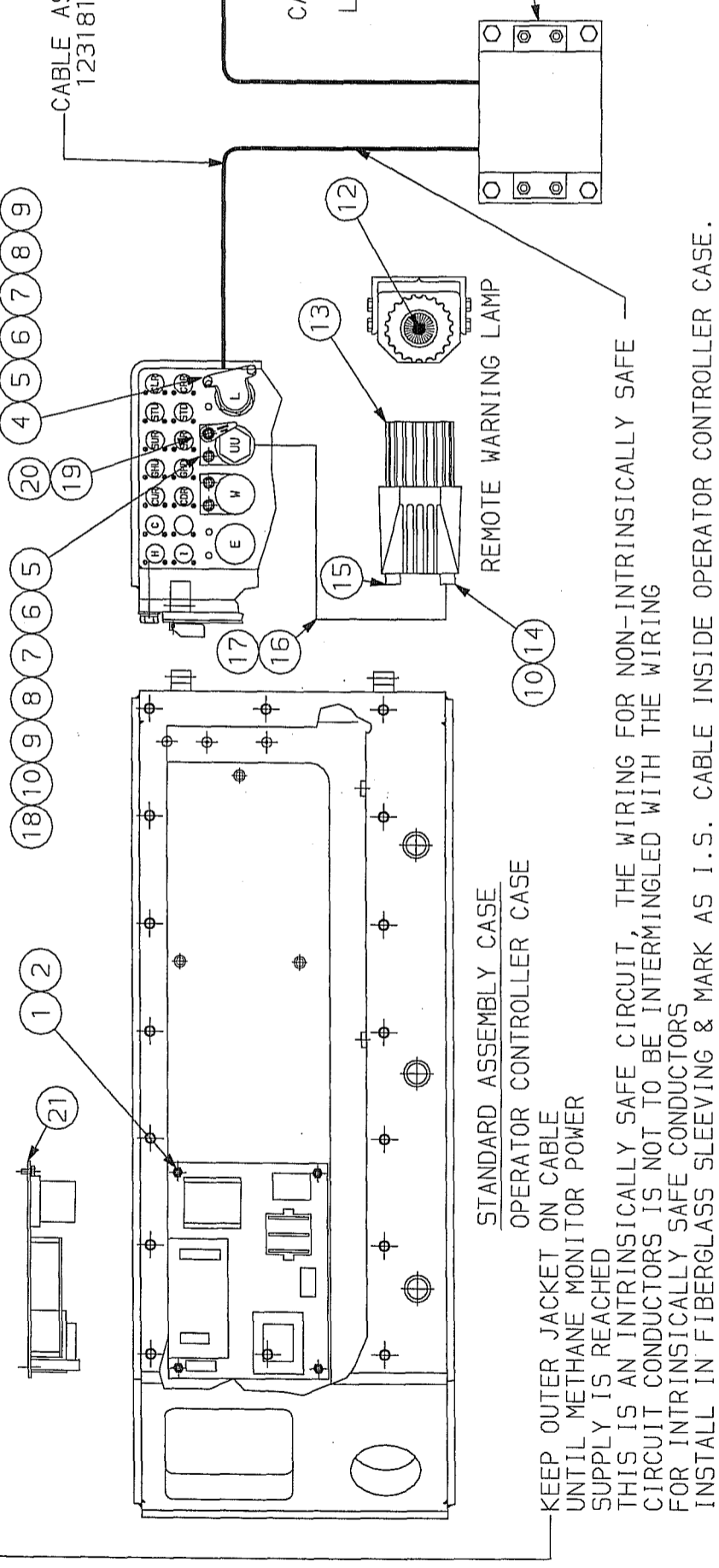
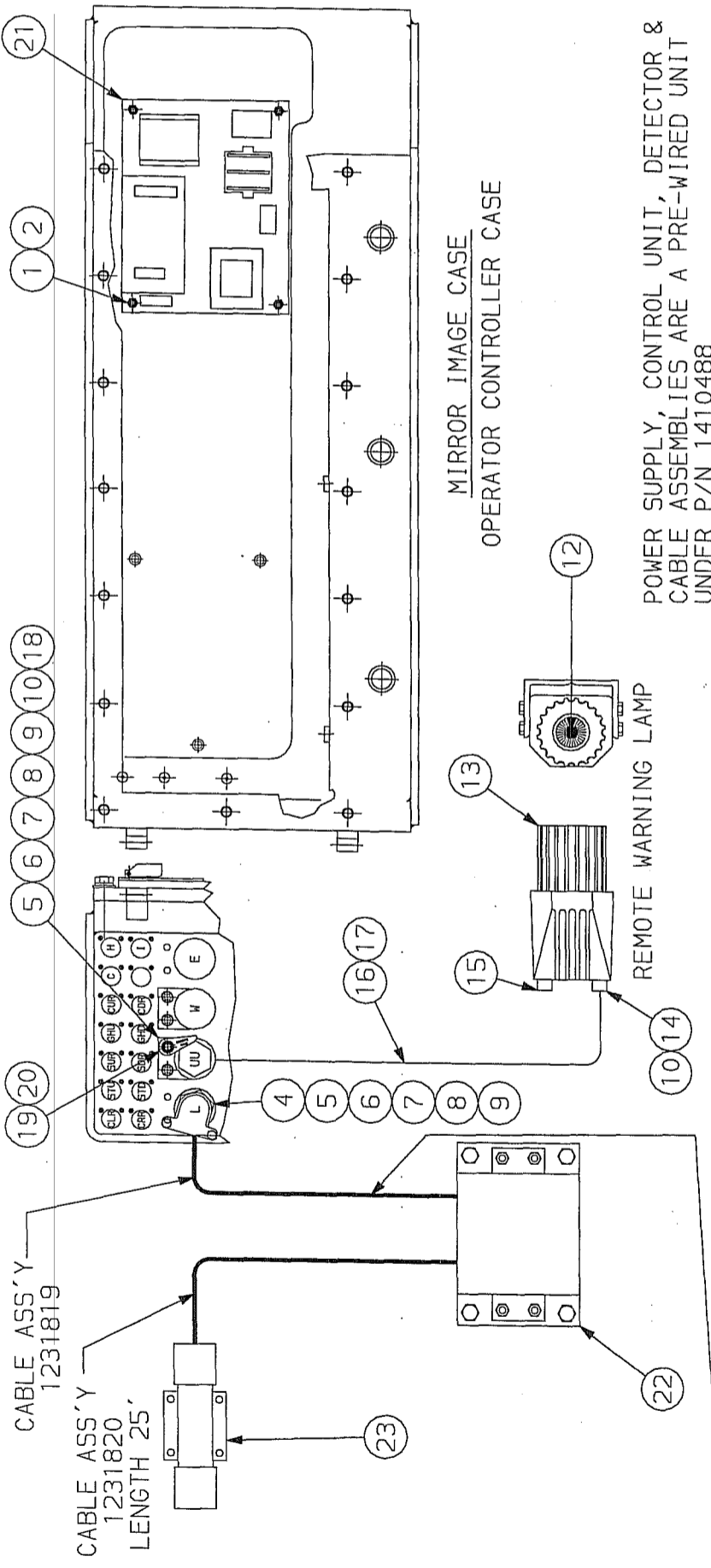
Drawn on CAD

EIMCO
A SANDVIK COMPANY
EIMCO LLC
P.O. BOX 1100
BLUEFIELD WV 24701-1100
304-327-0260

UNLESS OTHERWISE NOTED ALL
DIMENSIONS ARE IN INCHES
DECIMALS ± .005
TOLERANCE ANGLES 30 MINUTES
FABRICATION TOL ± 1/16"
MODEL 2810L DATE 09-30-91
WEIGHT DRAWN WHG
SCALE NTS CHECKED RCP
DO NOT SCALE CHIEF ENGR

NEXT ASSY. TOP LEVEL
KIT, MOTOR & GLAND
GATHERING HEAD
950 VOLT
DWG No. /PART No.
1410240
C

ITEM NO.	PART NO.	QTY/U/M	DESCRIPTION	DWG SIZE
1	37400512	4	EA 1/4-20X1/2" HHCS	.
2	37706512	4	EA 1/4" LOCKWASHER	.
3	1410488	1	EA CSE140BLDCUJR W/O X/P ENC 25 DT	X
4	30098230	1	EA GLAND ASSY	A
5	30066666	2	EA STUFFING BOX	B
6	30045082	2	EA CLIP 2"	A
7	71205066	2	EA 2" O-RING	.
8	37559703	4	EA 3/8-16X7/8" SHCS	.
9	37707189	3	EA 3/8" LOCKWASHER	.
10	74401746	1	EA HOSE CLAMP	A
11	1610758	1	EA INSTALLATION DIAGRAM	C
12	1100347	1	EA 12V, 20W BULB	.
13	1100346	1	EA LIGHT FIXTURE	.
14	3430441	1	EA GLAND, LIGHT STRAIGHT	.
15	30136162	1	EA PLUG, LIGHT	.
16	19402916	20	FT CABLE, #16-2C 50 CABLE	.
17	50041318	218	IN 5/8" CONDUIT HOSE	.
18	3430336	1	EA GLAND ASS'Y STRAIGHT	A
19	21067038	1	EA LOCKING TAB	B
20	37710365	1	EA 3/8" HI COLLAR LW	.
21	1640015	REF	EA POWER SUPPLY W/O X/P	.
22	1640021	REF	EA CONTROL UNIT IR	.
23	1640001	REF	EA DETECTOR UNIT	.



TACK WELD ALL PLUGGED GLANDS.

REV	ECN	BY	DATE	REV	ECN	BY	DATE
(E)				(L)			
(D)				(K)			
(C)				(H)			
(B)				(G)			
(A)				(F)			

-NOTICE-
TO ALL PERSONS RECEIVING THIS DRAWING
This drawing contains confidential information
and is issued in confidence on the conditions
that it be returned on demand and not be
copied, reproduced, disclosed to others or
used in the manufacture of the subject matter
thereof without the consent of Eimco LLC.

Copyright 2001

Drawn on CAD

EIMCO
A SANDVIK COMPANY

EIMCO LLC
P.O. BOX 1100
BLUEFIELD WV 24701-1100
304-327-0260

UNLESS OTHERWISE NOTED ALL
DIMENSIONS ARE IN INCHES
DECIMALS ±.005"
MACHINE TOLERANCE
ANGLES ±30 MINUTES
FABRICATION TOL ±.1/16"

MODEL 2810 DATE 3-25-01
WEIGHT XXX DRAWN LH
SCALE NONE CHECKED KN
DO NOT SCALE CHIEF ENGR KN

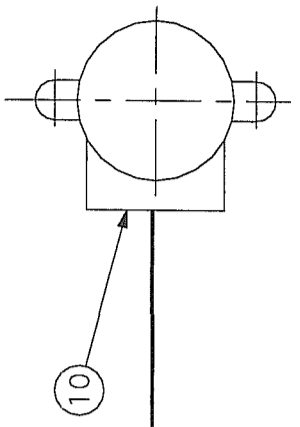
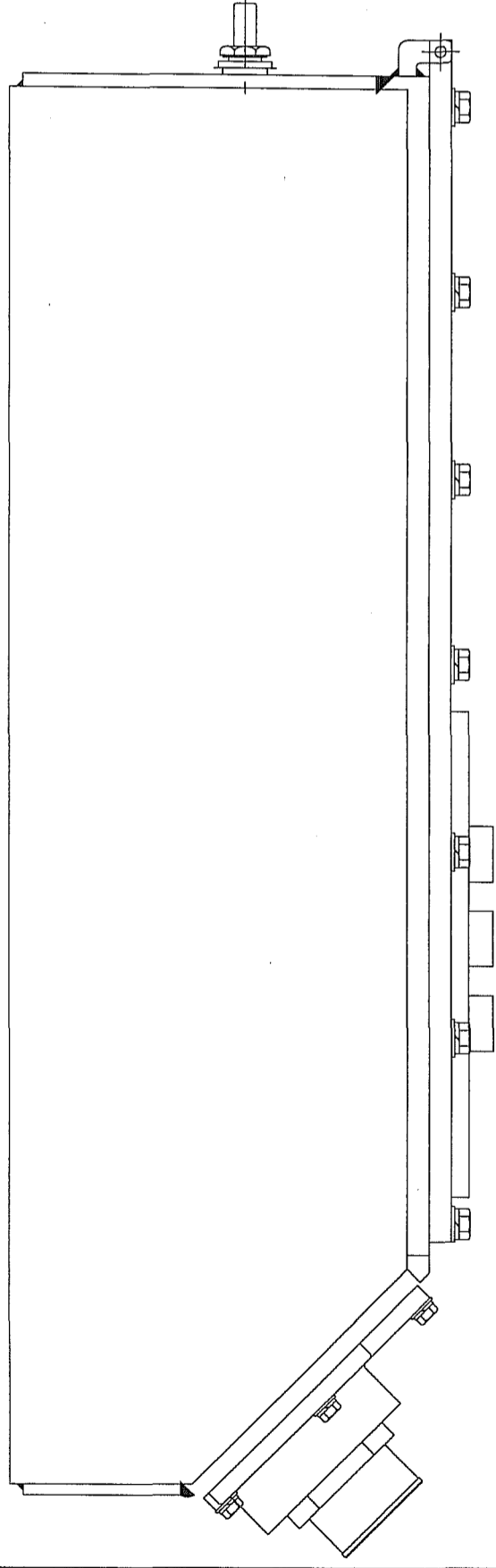
REV ASSY. TITLE
INSTALLATION DIAG.
CSE 140B-LD-IR MM 25 DT
W/O X/P FOR POWER SUPPLY

DWG No.: PART No. 1410883

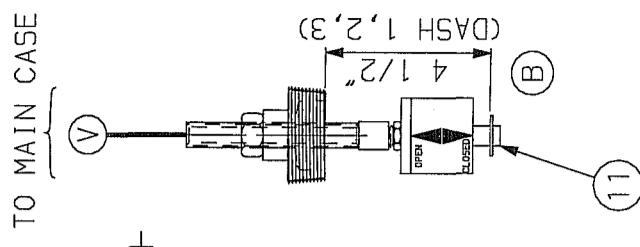
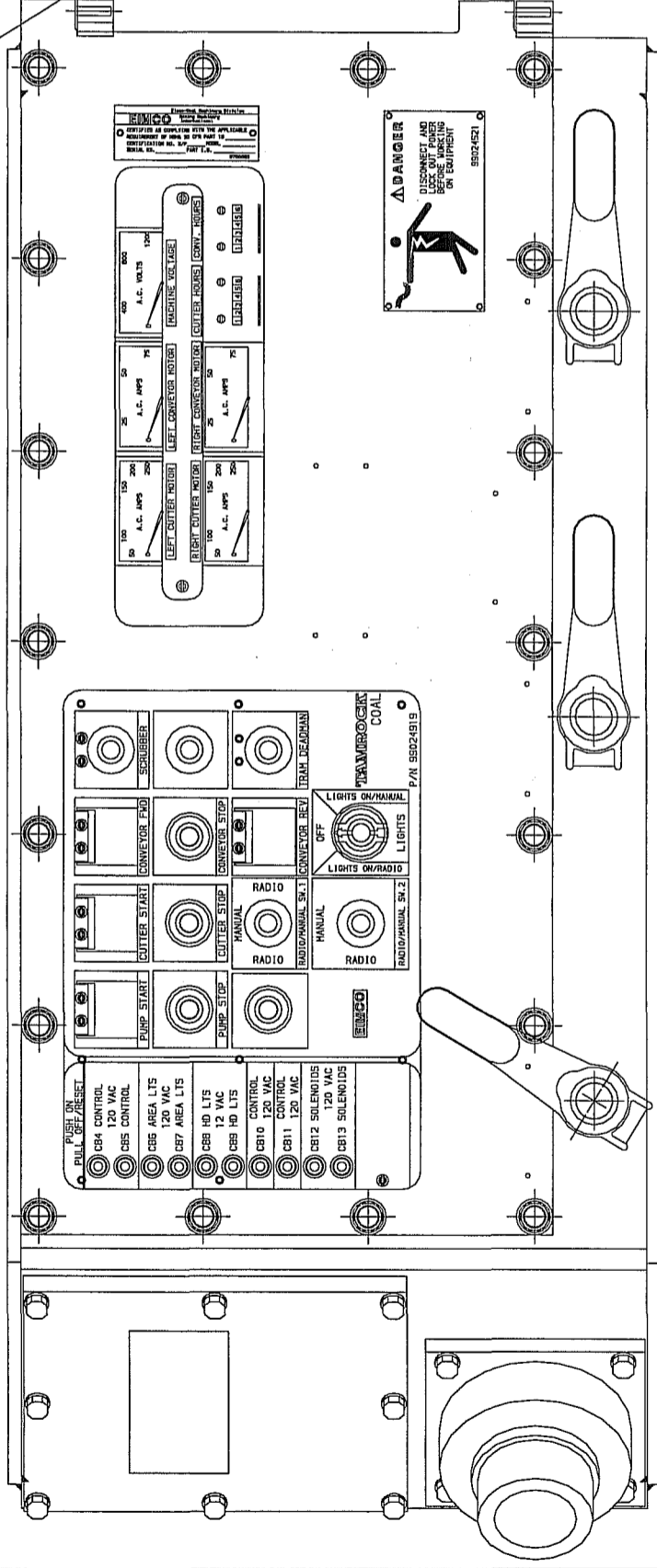
DWG SIZE C

BILL OF MATERIAL

ITEM NO.	PART NO.	QTY/U/M	DESCRIPTION	BM	DWG. SIZE
1	19005933	10 FT	CABLE #16-3C TYPE 50	.	.
2	3430472	1 EA	STUFFING BOX	.	B
3	3430491	1 EA	CLAMP 1 1/2"	.	A
4	30094114	1 EA	GLAND ASSY	.	A
5	50041318	72 IN	CONDUIT 5/8" HOSE	.	.
6	71202618	1 EA	1 1/2" O-RING	.	.
7	37559703	2 EA	3/8-16X7/8SHCS	.	.
8	37707189	1 EA	3/8" LOCKWASHER	.	.
9	74401779	2 EA	13/16 TO 1 1/2" HOSE CLAMP	.	.
10	30130637	1 EA	LIGHT	X	B
11	60248123	1 EA	LOW OIL SWITCH ASSEMBLY	X	B
12	1610593	1 EA	WD LOW OIL	.	.
13	21067038	1 EA	LOCKING TAB	.	B
14	37710365	1 EA	HI COLLAR LW 3/8" CADPL	.	B
15	1500004	1 FT	1/4" PACKING	.	B



9 8 7 6 5 4 3 2 1



REV	ECN	BY	DATE	REV	ECN	BY	DATE
E							
D							
C							
B	Y366	TDC	7-25-02				
A	V971	LH	3-5-99				

-NOTICE-
 TO ALL PERSONS RECEIVING THIS DRAWING
 This drawing contains confidential information
 and is issued in confidence on the conditions
 that it be returned on demand and not be
 copied, reproduced, disclosed to others or
 used in the manufacture of the subject matter
 thereof without the consent of Eimco LLC.

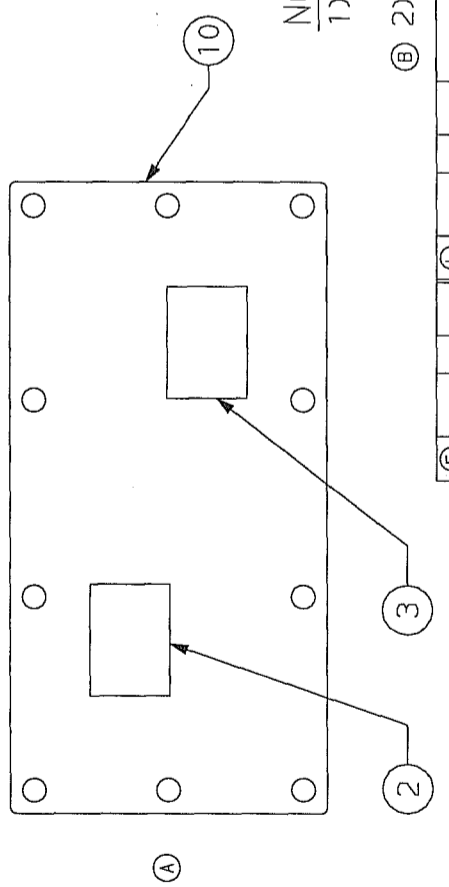
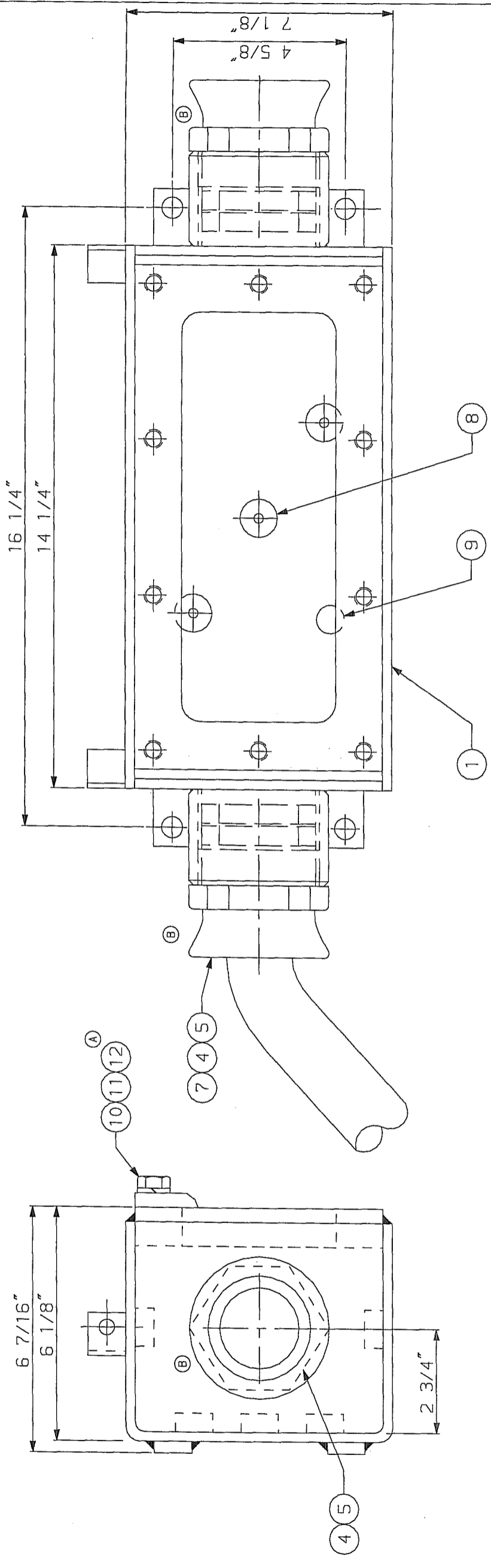
Drawn on CAD
EIMCO
 A SANDVIK COMPANY
 EIMCO LLC
 P.O. BOX 1100
 BLUEFIELD WV 24701-1100
 304-327-0260

Copyright 1997
 UNLESS OTHERWISE NOTED ALL
 DIMENSIONS ARE IN INCHES
 DECIMALS ± .005
 FRACTIONS ± 1/64"
 TOLERANCE
 FABRICATION TOL ± 1/16"
 MODEL DASH DATE 8-12-97
 WEIGHT DRAWN LH
 SCALE 5/16 CHECKED KN
 DO NOT SCALE CHIEF ENGR KN

REV	BY	DATE	REV	BY	DATE
B					
A					
C					

ASSEMBLY 1, 2, 3, 11
 TOP LEVEL LOW OIL OPTION-LO
 LOW OIL
 DWG No. 7/PART No.
1410544

ITEM NO.	PART NO.	QTY/U/M	DESCRIPTION	BM SIZE	DWG. SIZE
1	5120056	1 EA	ENCLOSURE	-	X
2	99024737	1 EA	X/P TAG, MSHA	-	-
3	99024739	1 EA	CFR 30 TAG	-	-
4	1190470	2 EA	NUT, BELLMOUTH	-	-
5	1470026	4 EA	BUSHING	-	-
6	.	.	.	-	-
7	1500005	AS REQD	FT PACKING, 1/2" FIBER	-	-
8	1460069	3 EA	INSULATOR, LINE	-	-
9	1460070	1 EA	INSULATOR, G.C.	-	-
10	5120057	1 EA	COVER	-	-
11	37419017	10 EA	1/2-13 x 1 1/4" HHCS	-	-
12	37708013	10 EA	LOCKWASHER, 1/2"	-	-



Ⓐ PARTS CATALOG USE ONLY

ENCLOSURE ASSEMBLY IS A PURCHASED ITEM:
ALL ITEMS ON B/M ARE PURCHASED AND/OR
USED AS REFERENCE ONLY.

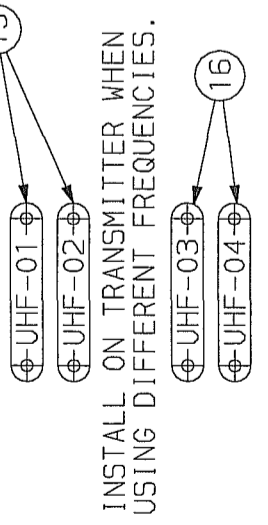
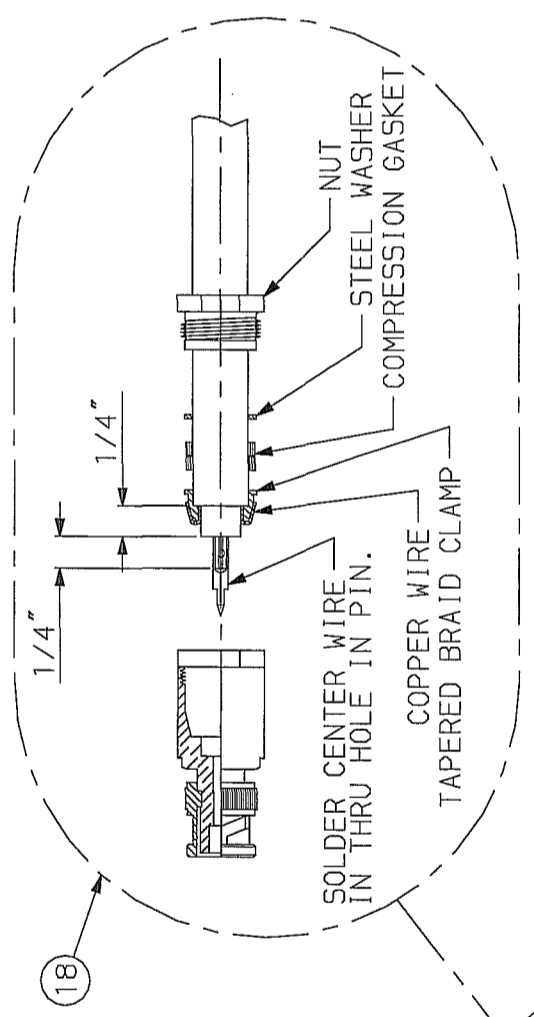
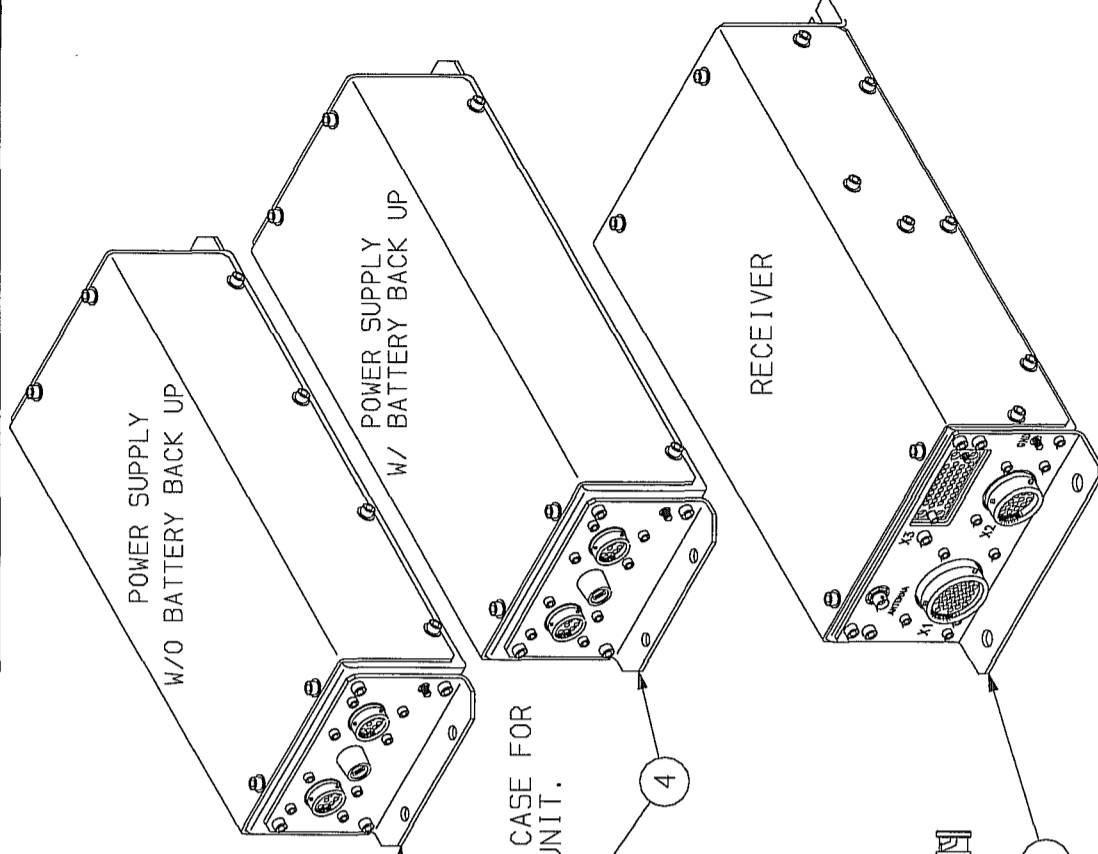
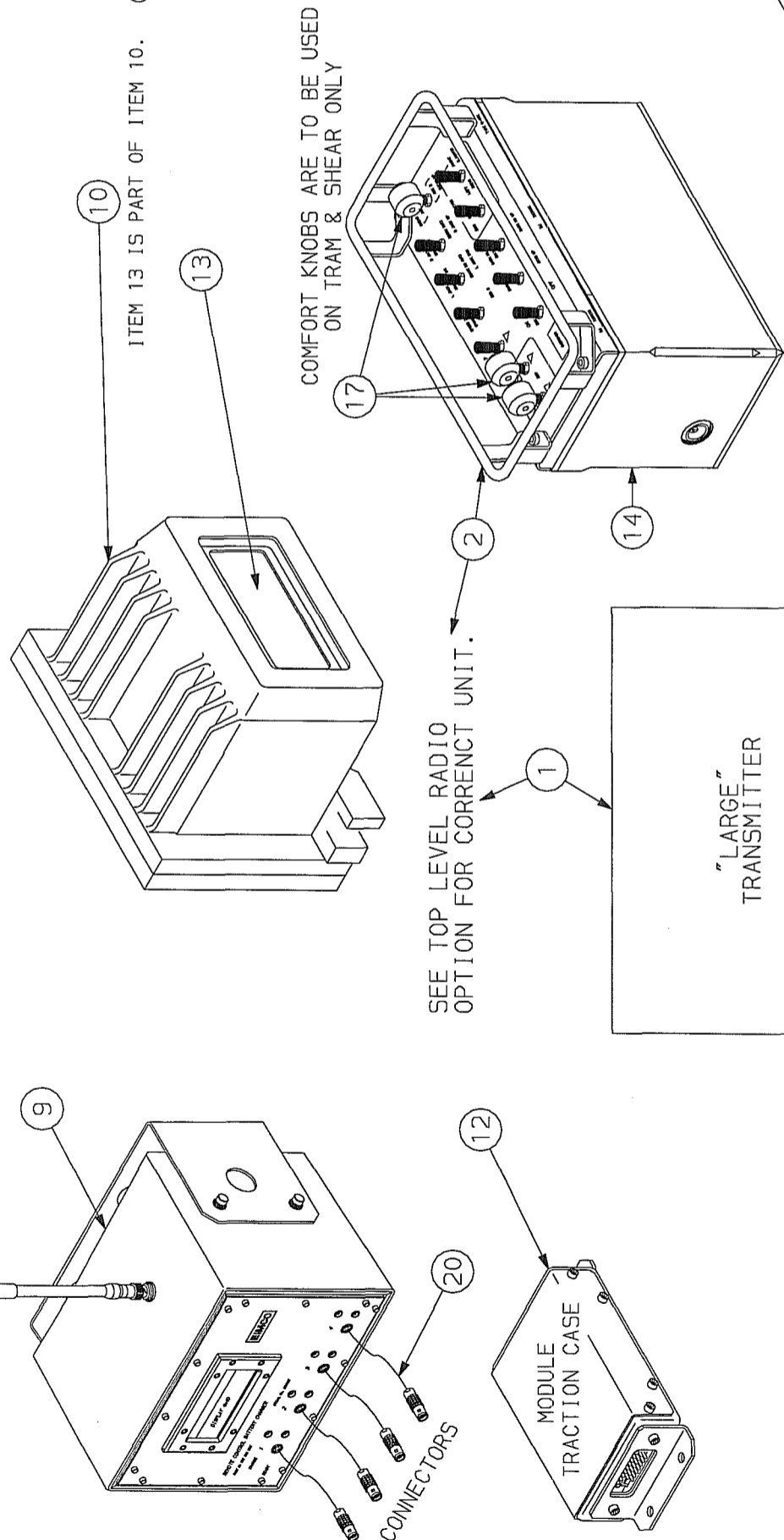
NOTES:

- 1) PURCHASED FROM SERVICE MACHINE CO. P/N 510-0023, CERTIFICATION NO. X/P 1607-30
- 2 GLANDS REQUIRED FOR #2/0-3C SHIELDED GC CABLE 2.00" OD. CABLE RANGE 1.752/2.123.
- Ⓑ 2) FOR CONNECTION BOX ASSEMBLY WITH STRAIGHT NON BELL MOUTH GLANDS SEE DRAWING 5120058

TO ALL PERSONS RECEIVING THIS DRAWING - THIS DRAWING CONTAINS CONFIDENTIAL INFORMATION AND IS ISSUED IN CONFIDENCE ON THE CONDITIONS THAT IT BE RETURNED ON DEMAND AND NOT BE COPIED, REPRODUCED, DISCLOSED TO OTHERS OR USED IN THE MANUFACTURE OF THE SUBJECT MATTER THEREOF WITHOUT THE CONSENT OF EIMCO LLC.		Drawn on CAD Copyright 1990		UNLESS OTHERWISE NOTED ALL DIMENSIONS ARE IN INCHES MACHINE TOLERANCE FRACTIONS ± .005" DECIMALS ± .001" ANGLES ± 30 MINUTES FABRICATION TOL ± 1/16"			
EIMCO A SANDVIK COMPANY P.O. BOX 1100 BLUEFIELD WV 24701-1100 304-327-0260		MODEL 2810 DATE 04/23/90 DRAWN FOX CHECKED DO NOT SCALE		TITLE CONNECTION BOX ASSEMBLY (BELL-MOUTH GLAND)			
REV	ECN	BY	DATE	REV	ECN	BY	DATE
(E)				(L)			
(D)				(K)			
(C)				(H)			
(B)	Q921	LH	2-1-98	(G)			
(A)	P850	MHG	5-09-92	(F)			

BILL OF MATERIAL

ITEM NO.	PART NO.	QTY/U/M	DESCRIPTION	DWG. BM SIZE
(F)(C) 1	1490187	REF EA	TRANSMITTER LARGE SIZE	-
(E) 2	1490192	REF EA	TRANSMITTER STANDARD	-
(H)(E)(C) 3	1490199	REF EA	RECEIVER	-
(D) 4	1650004	REF EA	POWER SUPPLY W/BAT B/U	-
(D) 5	1490190	REF EA	POWER SUPPLY F/RECEIVER	-
(D) 6	30169080	REF EA	BNC BULKHEAD ADAPTER	-
(D) 7	30169767	REF EA	BNC ANGLE ADAPTOR	-
(K) 8	1410911	REF EA	ANTENNA CABLE ASS'Y 25' X B	-
(K) 9	1170529	REF EA	BATTERY CHARGER	-
(K) 10	1650007	REF EA	DISPLAY & X/P ENCLOSURE	-
(K) 11	1490176	REF EA	ANTENNA	-
(A) 12	1650006	REF EA	MODULE TRACTION CASE	-
(A) 13	1650009	REF EA	DISPLAY W/O XP ENCLOSURE	-
(A) 14	1490177	REF EA	LEATHER CASE F/RADIO	X B
(G) 15	99026040	REF EA	FORCED POTATO FREQ. TAG	-
(G) 16	99026041	REF EA	FORCED POTATO FREQ. TAG	-
(K) 17	1490200	REF ST	COMFORT KNOB	-
(L) 18	30090138	REF EA	CONNECTOR	-
(L) 19	1241045	REF EA	HEAT SHRINK TUBING	B
(M) 20	1170545	REF EA	BATTERY CHARGING CABLE ASSY	-



INSTALL ON TRANSMITTER WHEN USING DIFFERENT FREQUENCIES.

REV	ECN	BY	DATE	REV	ECN	BY	DATE
(E)	X391	LH	2-2-01	(Y)	Y585	LH	5-10-05
(D)	X278	LH	12-5-00	(L)	Y280	LH	5-6-07
(C)	X166	LH	10-2-00	(K)	Y141	LH	2-5-02
(B)	W900	LH	5-8-00	(H)	X902	LH	5-27-01
(A)	W711	LH	2-7-00	(G)	X625	LH	5-14-01
				(F)	X395	LH	2-5-01

-NOTICE-
TO ALL PERSONS RECEIVING THIS DRAWING
This drawing contains confidential information
and is issued in confidence on the conditions
that it be returned on demand and not be
copied, reproduced, disclosed to others or
used in the manufacture of the subject matter
thereof without the consent of Eimco LLC.

Drawn on CAD

Copyright 1999

EIMCO
A SANDVIK COMPANY

EIMCO LLC
P.O. BOX 1100
BLUEFIELD WV 24701-1100
304-327-0260

UNLESS OTHERWISE NOTED ALL DIMENSIONS ARE IN INCHES FRACTIONS ± 1/64" TOLERANCE ANGLES ± 30 MINUTES FABRICATION TOL ± 1/16"

MODEL 2810 DATE 8-26-99

WEIGHT DRAWN LH

SCALE CHECKED KN

DO NOT SCALE CHIEF ENGR KN

NEXT ASSY. 1490174

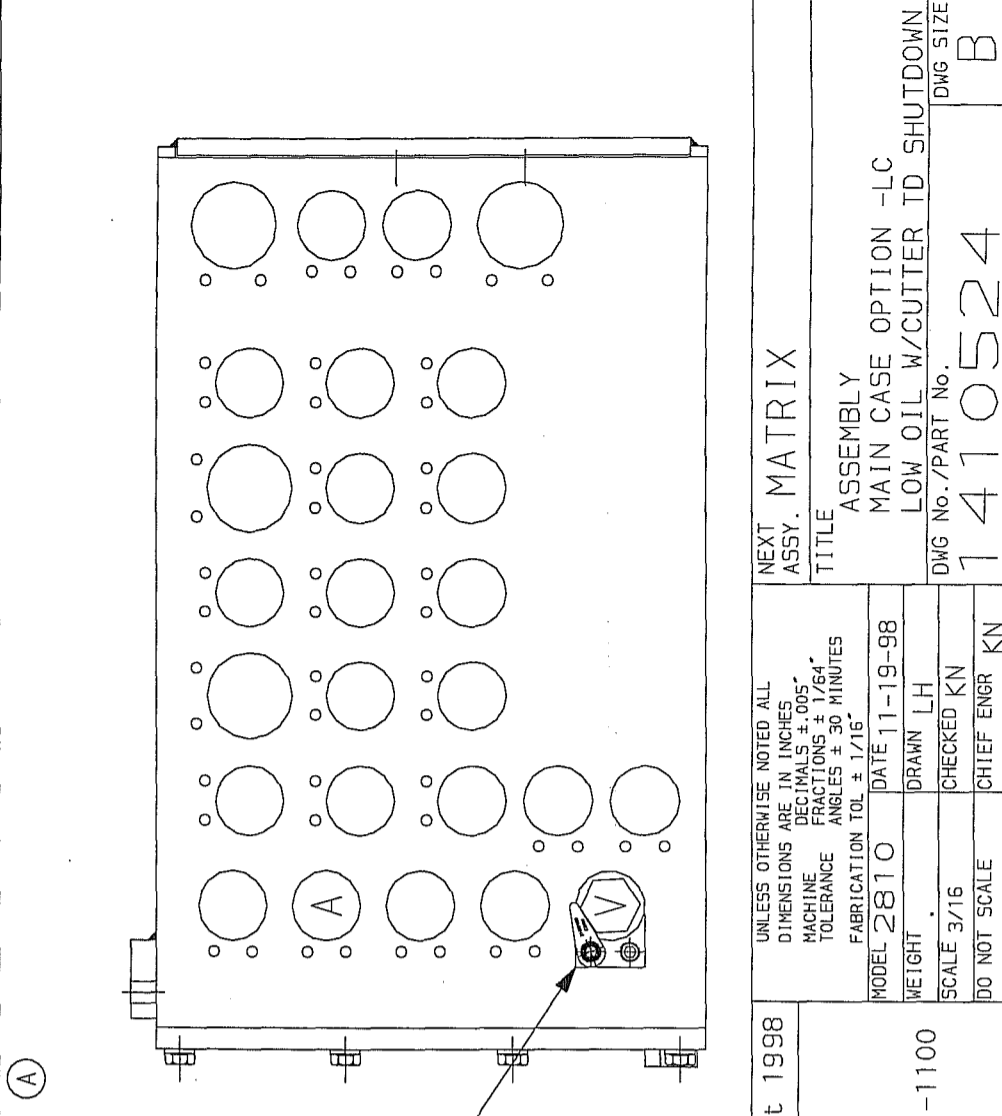
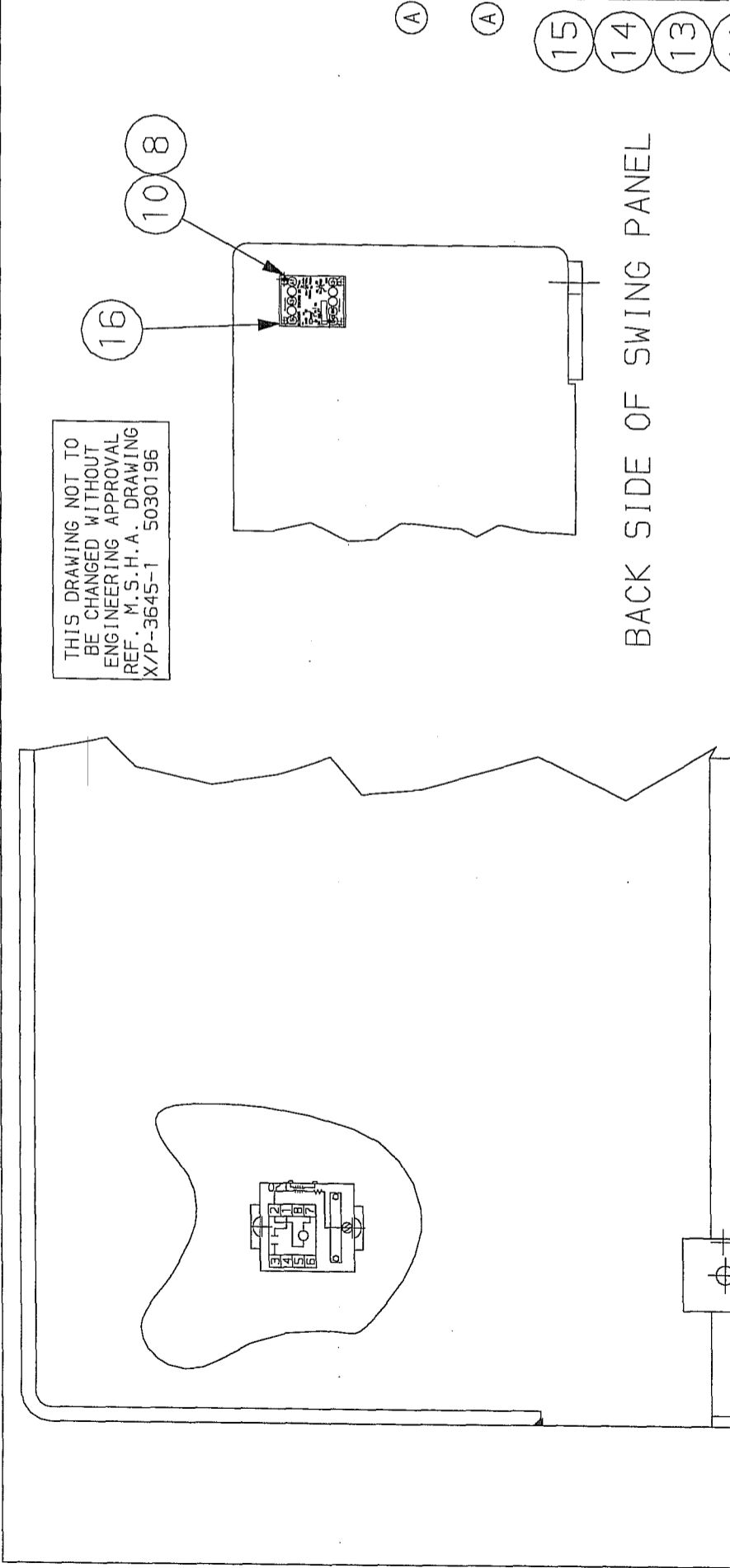
TITLE FORCED POTATO RADIO PARTS SUMMARY

DWG No./PART No. 1490175

REV M

BILL OF MATERIAL

ITEM NO.	PART NO.	QTY	U/M	DESCRIPTION	BM	DWG. SIZE
1	37559703	2	EA	3/8-16X7/8" SHCS	.	.
2	19402916	18	FT	CABLE #16-2C 600V 50	.	D
3	30066666	1	EA	BOX STUFFING	.	.
4	30045082	1	EA	CLAMP	.	.
5	30067516	1	EA	AC ISR RELAY	.	.
6	3430336	1	EA	GLAND	.	.
7	50041318	168	IN	CONDUIT 5/8" HOSE	.	.
8	37559966	6	EA	#8-32X5/16" SRHM	.	.
9	37704418	2	EA	FLAT WASHER	.	.
10	37705910	6	EA	#8 LOCKWASHER	.	.
11	71205066	2	EA	O-RING	.	.
12	1610593	1	EA	SCHEMATIC DIAGRAM	.	.
13	37707189	1	EA	3/8" LOCKWASHER	.	.
14	21067038	1	EA	LOCKING TAB	.	B
15	37710365	1	EA	3/8" HI COLLAR LW	.	.
16	1420021	1	EA	TIME DELAY RELAY	.	.



UNLESS OTHERWISE NOTED ALL DIMENSIONS ARE IN INCHES DECIMALS ± .005" FRACTIONS ± 1/64" TOLERANCE ANGLES ± 30 MINUTES FABRICATION TOL ± 1/16	DATE 11-19-98
MODEL 2810	DRAWN LH
WEIGHT	CHECKED KN
SCALE 3/16	CHIEF ENGR KN
DO NOT SCALE	

Copyright 1998

EIMCO LLC
P.O. BOX 1100
BLUEFIELD WV 24701-1100
304-327-0260

A SANDVIK COMPANY

-NOTICE- TO ALL PERSONS RECEIVING THIS DRAWING This drawing contains confidential information and is issued in confidence on the conditions that it be returned on demand and not be copied, reproduced, disclosed to others or used in the manufacture of the subject matter thereof without the consent of Eimco LLC.			
REV	ECN	BY DATE	ECN BY DATE
(E)			
(D)			
(C)			
(B)			
(A)	V889	LH 2-15-99	

Drawn on CAD

Copyright 1998

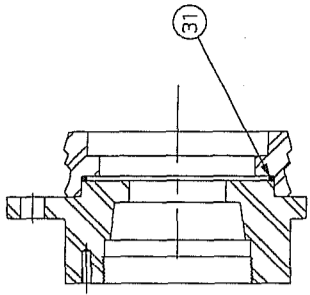
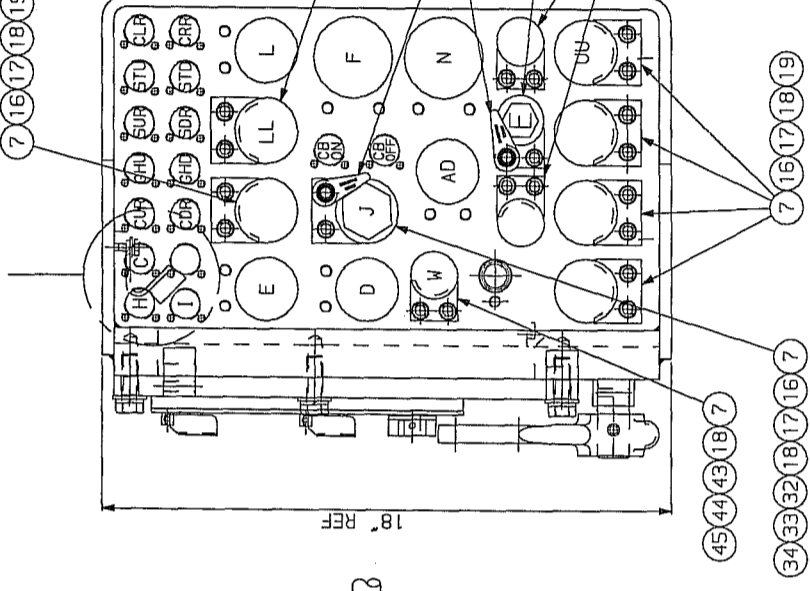
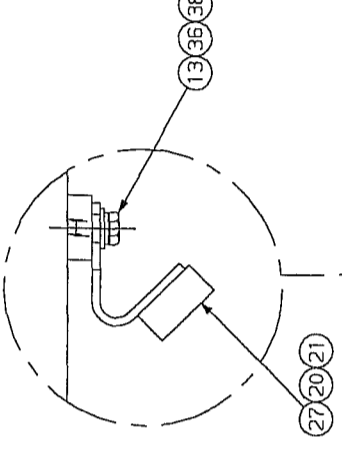
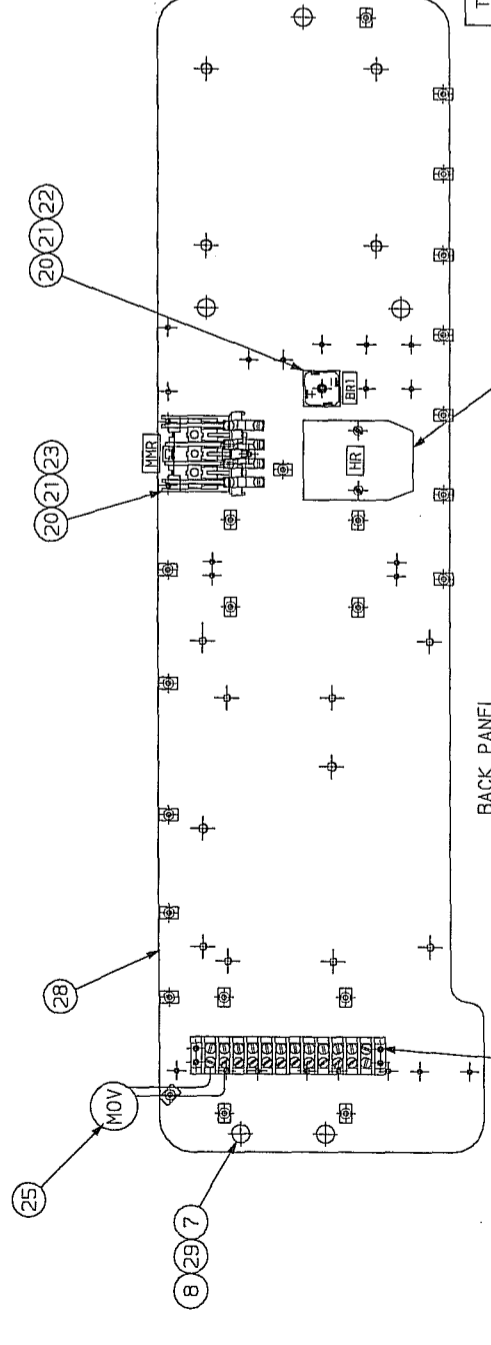
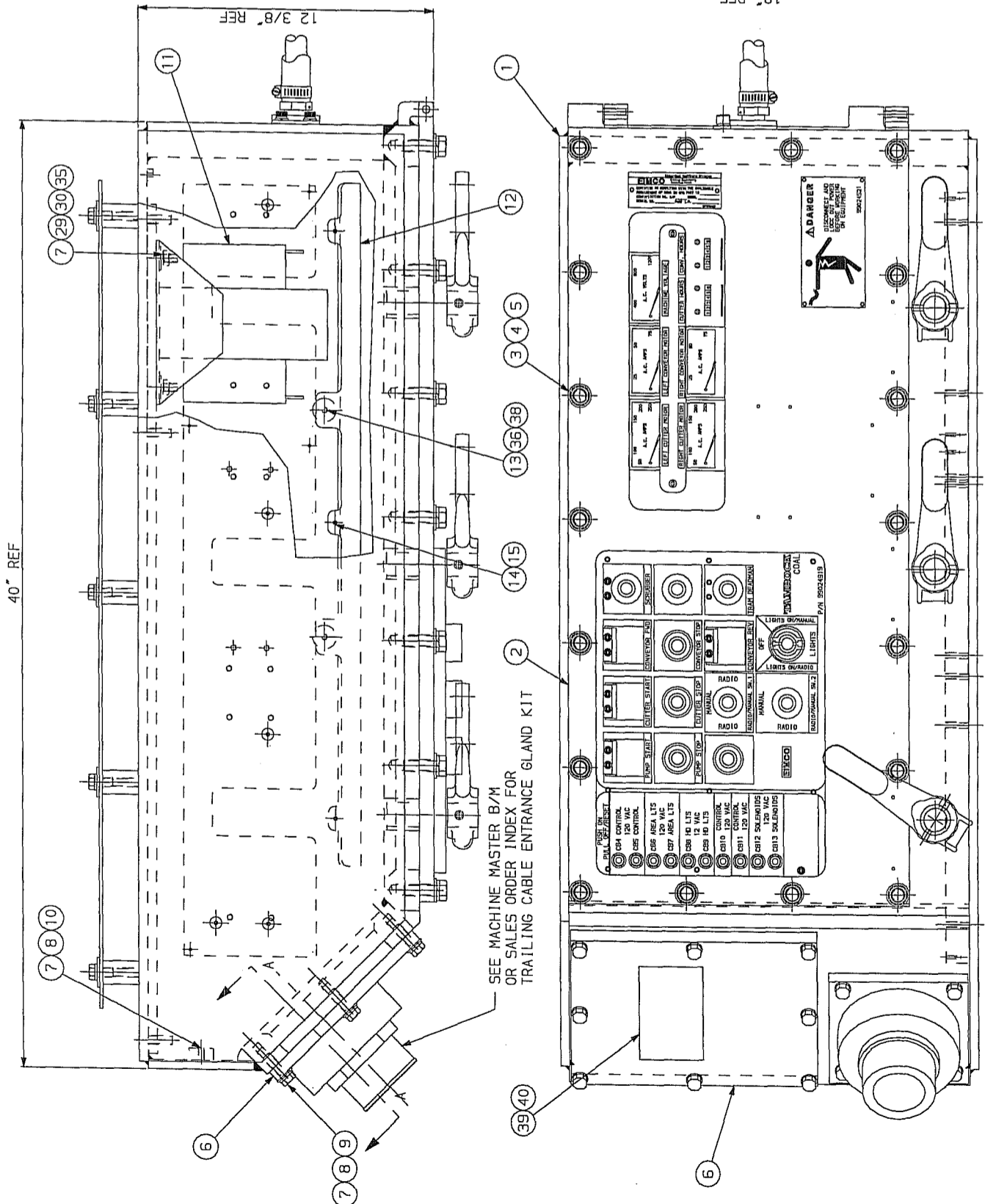
EIMCO

ASSEMBLY
MAIN CASE OPTION -LC
LOW OIL W/CUTTER TD SHUTDOWN

DWG No./PART No.
1410524

DWG SIZE
B

ITEM NO.	PART NO.	QTY	U/M	DESCRIPTION	BM	STZ
1	5030241	1	EA	OPERATOR CASE, MACHINES	X	D
2	60246564	1	EA	COVER ASSY	X	D
3	37701794	18	EA	1/2" FLAT WASHER	X	D
4	37708013	18	EA	1/2" LOCK WASHER	X	D
5	37419462	18	EA	1/2-13X1 1/2" HHCS	X	D
6	60243076	1	EA	COVER SMALL	X	B
7	37707189	37	EA	3/8" LOCKWASHER	X	B
8	37713364	9	EA	3/8" FLAT WASHER NARROW	X	B
9	37411816	8	EA	3/8-16x1 1/4" HHCS	X	B
10	37409810	1	EA	3/8-16x5/8" HHCS	X	B
11	1180059	1	EA	CONTROL TRANSFORMER	X	B
12	602444580	1	EA	TERMINAL STRIP MOUNT	X	C
13	37400512	2	EA	1/4-20x1/2" HHSC CADPL	X	B
14	99024826	54	EA	WIRE TIE MOUNT	X	B
15	37017290	54	EA	8-32X1/4" PHMS	X	B
16	71205066	7	EA	2" O-RING	X	B
17	30045082	7	EA	2" STUFFING BOX CLAMP	X	B
18	37559703	22	EA	3/8-16 X 7/8" SHCS	X	B
19	30087183	5	EA	2" PLUG	X	B
20	37491826	18	EA	8-32X 1/2" RHMS	X	B
21	37705910	18	EA	#8 LOCKWASHER	X	B
22	30013395	1	EA	BRIDGE RECTIFIER	X	B
23	1060205	1	EA	RELAY NMR	X	B
24	30061105	1	EA	RELAY HR	X	B
25	30175939	1	EA	MOV 150V	X	B
26	30153647	1	EA	TERMINAL STRIP 12 PT	X	B
27	30155246	2	EA	TERMINAL STRIP 24 PT	X	B
28	60245619	1	EA	BACK PANEL	X	C
29	37102423	9	EA	NUT 3/8" -16	X	B
30	37559987	4	EA	SET SCREW 3/8-16X1 1/4 CADPL	X	B
31	71209019	1	EA	4 1/2" O-RING	X	B
32	3430508	1	EA	STRAIGHT GLAND ASSY	X	B
33	30066666	1	EA	STUFFING BOX 2"	X	B
34	74401902	1	EA	CLAMP HOSE	X	B
35	37713965	4	EA	3/8" FH WIDE O.D.	X	A
36	37700512	2	EA	1/4" LOCKWASHER CADPL	X	A
37	74401779	2	EA	HOSE CLAMP	X	A
38	37700218	2	EA	FLATWASHER CADPL	X	A
39	37024521	4	EA	#6-1/4 LG DRIVE SCREW	X	B
40	99024521	1	EA	TAG, ELECTRICAL HAZARD	X	B
41	21067038	2	EA	LOCKING TAB	X	B
42	37710365	2	EA	HI COLLAR LW 3/8"	X	A
43	3430491	4	EA	1 1/2" O-RING	X	A
44	71202618	4	EA	1 1/2" O-RING	X	A
45	3430473	3	EA	PLUG 1 1/2"	X	B
46	3430471	1	EA	1 1/2" STUFFING BOX	X	A
47	1500004	1	FT	1/4" PACKING	X	A
48	3430507	1	EA	GLAND ASSY STRAIGHT	X	A



SECTION A-A
SCALE 3/4"

NOTE:
SEE OPTIONS FOR ADDITIONAL GLAND INFORMATION ON PLUGGED GLANDS TACKWELDED BOLTHEAD TO PLUG

THIS DRAWING NOT TO BE CHANGED WITHOUT ENGINEERING APPROVAL
REF. M.S.H.A. DRAWING X/P-3951-0 5030159

-NOTICE-
TO ALL PERSONS RECEIVING THIS DRAWING
This drawing contains confidential information
It is to be used for the purpose for which it
is issued, and is not to be copied, reprinted,
copied, reproduced, disclosed to others or
used in any way without the consent of EIMCO LLC.

REV	ECN	BY	DATE	REV	ECN	BY	DATE
6	14618	LH	11-20-06	6	14618	LH	11-20-06
5	1454	LH	10-22-06	5	1454	LH	10-22-06
4	1403	LH	03-26-06	4	1403	LH	03-26-06
3	1763	LH	11-20-05	3	1763	LH	11-20-05
2	1421	LH	12-20-04	2	1421	LH	12-20-04

Drawn on CAD
EIMCO
A SHAW-WORTH COMPANY

Copyright 1998
EIMCO LLC
P. O. BOX 1100
BLUEFIELD, WV 24701-1100
304-327-0260

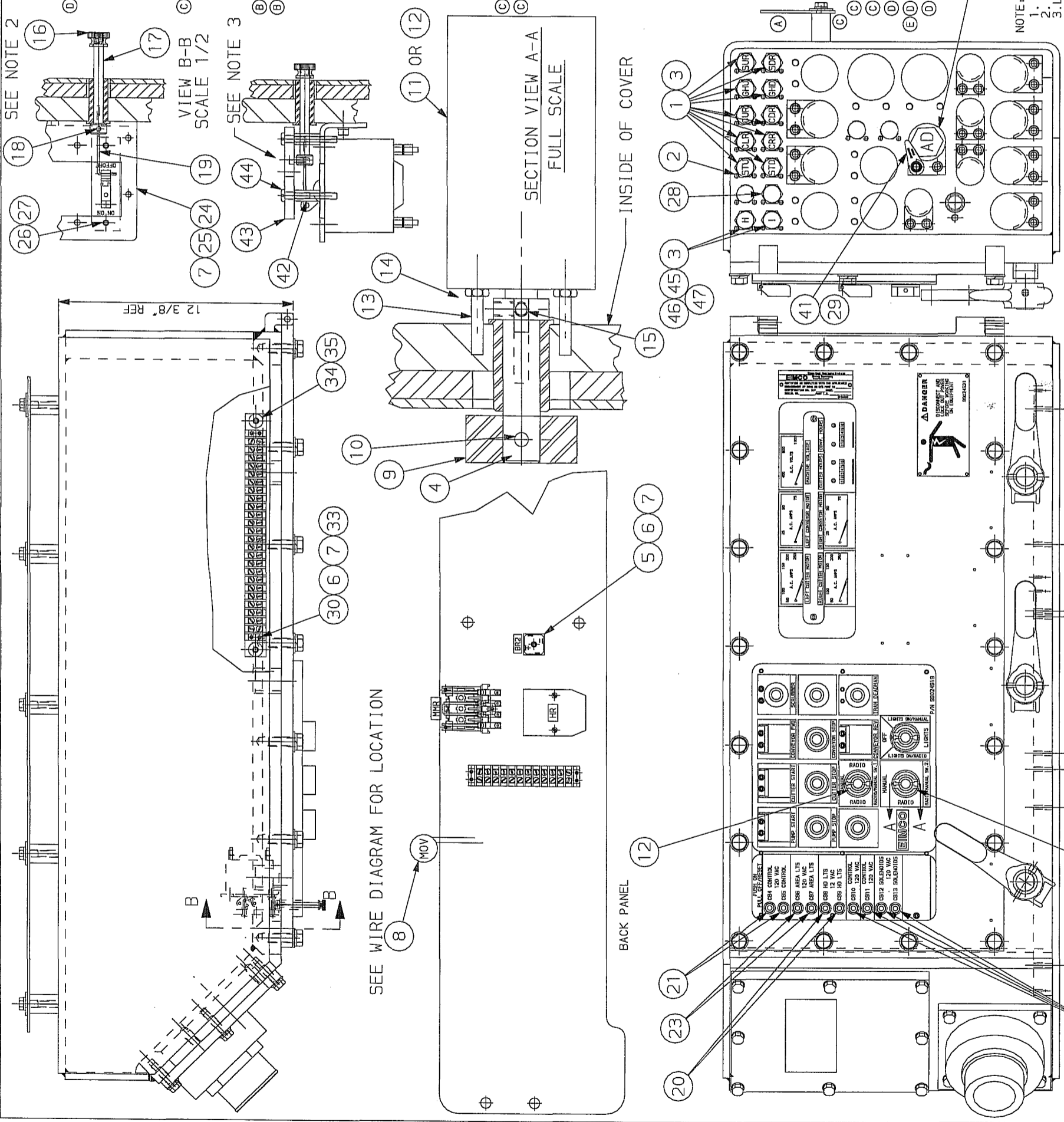
OPERATOR CASE -2
STANDARD ASSEMBLY

DWG No./PART No. 5030242

DWG SIZE D

BILL OF MATERIAL

ITEM NO.	PART NO.	QTY	U/M	DESCRIPTION	DMG. SIZE	BM
1	1500071	10	EA	PACKING GLAND	A	
2	37552346	13	EA	1/4-20 SET SCREW CUP PT		
3	1500004	12	FT	1/4" PACKING		
4	60244388	2	EA	SHAFT, ROTARY SWITCH	B	
5	30013395	1	EA	BRIDGE RECTIFIER		
6	37491826	5	EA	#8-32X1/2" RHMS		
7	37705910	8	EA	#8 LOCKWASHER		
8	30175939	1	EA	MOV, 150V		
9	3640160	2	EA	KNOB, ROTARY SWITCH	A	
10	82915323	2	EA	GROOVE PIN 3/16X1" LG		
11	1090418	1	EA	SWITCH ROTARY, RADIO 2		
12	1090419	1	EA	SWITCH ROTARY, RADIO 1		
13	37559875	4	EA	4MMX30MM HEX SKT SCR		
14	37120525	4	EA	METRIC M4 CADPL HEX NUT		
15	37559876	4	EA	10-32X1/4 HSKT SCCUP		
16	99025048	10	EA	ROUND THUMB NUT	B	
17	60247504	10	EA	BREAKER SHAFT	B	
18	37500014	10	EA	SHCS 6-32X1/4"		
19	99024993	10	EA	WIRE PUSH/PULL RESET	B	
20	1150073	2	EA	BREAKER 20 AMP		
21	1150074	2	EA	BREAKER 15 AMP		
22	1150075	4	EA	BREAKER 5 AMP		
23	1150076	2	EA	BREAKER 10 AMP		
24	60250532	1	EA	PANEL MOUNT BREAKER	C	
25	37500220	3	EA	8-32X3/8" SHCS		
26	37490414	20	EA	RHMS 6-32X1/4"		
27	37705613	20	EA	#6 LOCKWASHER		
28	1500072	1	EA	PLUG	A	
29	37710365	1	EA	HI COLLAR 3/8" LW CADPL		
30	30155246	1	EA	TERMINAL STRIP 24 PT		
31	71205066	1	EA	2" O-RING		
32	74401902	1	EA	CLAMP, HOSE		
33	0814548	1	EA	TERMINAL STRIP MOUNT	B	
34	37400215	2	EA	1/4-20X3/8" HHCS		
35	37706512	2	EA	1/4" LOCKWASHER		
36	30045082	1	EA	STUFFING BOX CLAMP	A	
37	37559703	2	EA	SHCS 3/8-16X7/8" CADPL		
38	37707189	1	EA	3/8" LOCKWASHER		
39	3430508	1	EA	STRAIGHT GLAND ASSY	X B	
40	30066666	1	EA	STUFFING BOX 2"	B	
41	21067038	1	EA	LOCKING TAB	B	
42	99026039	4	EA	STANDOFF 1/4" HEX 8-32		
43	60250515	1	EA	GUARD	C	
44	37559883	4	EA	SPHMS 8-32X1/2"		
45	3430507	2	EA	STRAIGHT GLAND	B	
46	50041318	552	EA	5/8" HOSE CONDUIT		
47	74401779	2	EA	HOSE CLAMP		



NOTE:

- ON PLUGGED GLANDS TACKLEWED BOLT HEAD TO PLUG
- APPLY LOCKTITE TO THREADS AT INSTALLATION OF ITEM #16
- LOCATE SET SCREW 50 AS TO ENGAGE INTO SLOT MACHINED IN ITEM 43

REV	ECN	BY	DATE	REV	ECN	BY	DATE
E	Y486	LH	1-13-02	L			
D	X723	LH	6-20-01	K			
C	X611	LH	5-9-01	H			
B	X319	GR	1-4-01	G			
A	W618	LH	1-6-00	F			

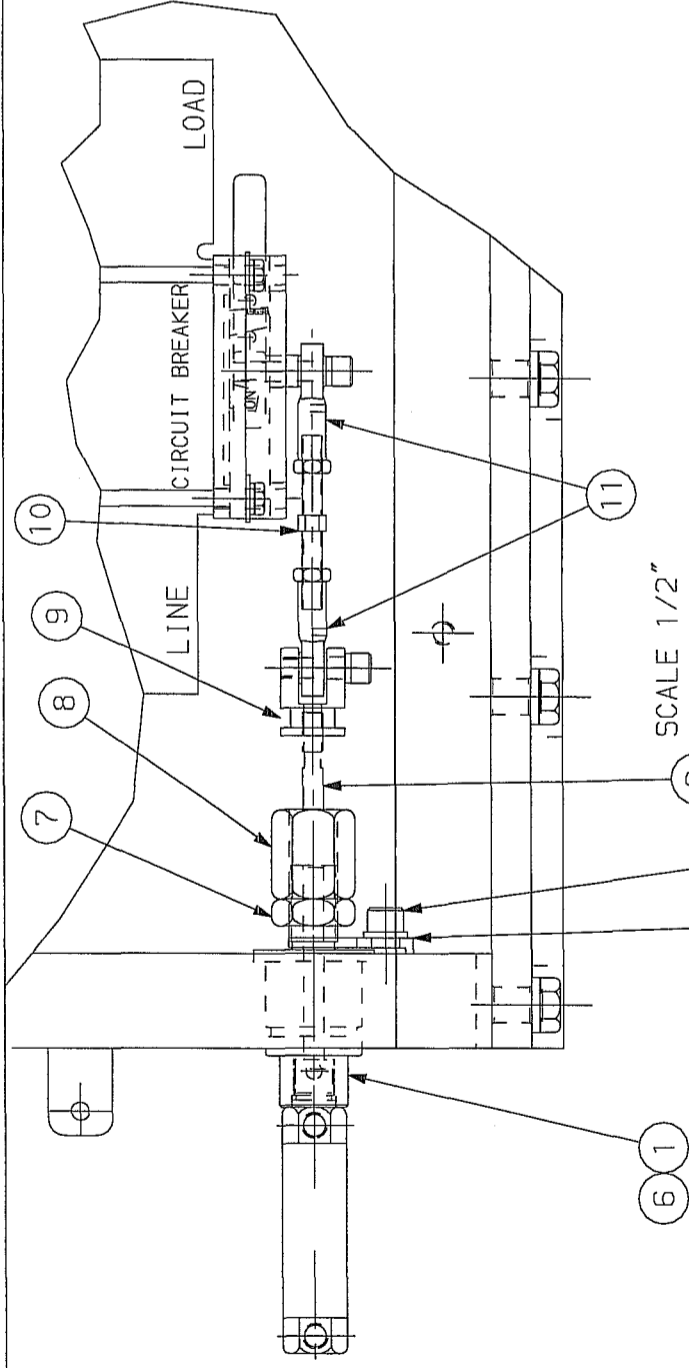
-NOTICE-
TO ALL PERSONS RECEIVING THIS DRAWING
This drawing contains confidential information
and is issued in confidence on the conditions
that it be returned on demand and not be
copied, reproduced, disclosed to others or
used in the manufacture of the subject matter
thereof without the consent of Eimco LLC.

Drawn on CAD
EIMCO
A SANDVIK COMPANY
EIMCO LLC
P.O. BOX 1100
BLUEFIELD WV 24701-1100
304-327-0260

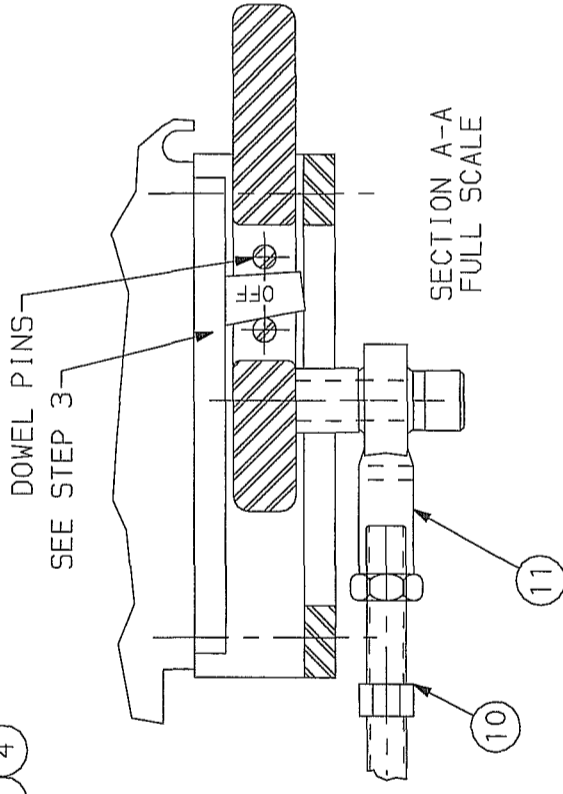
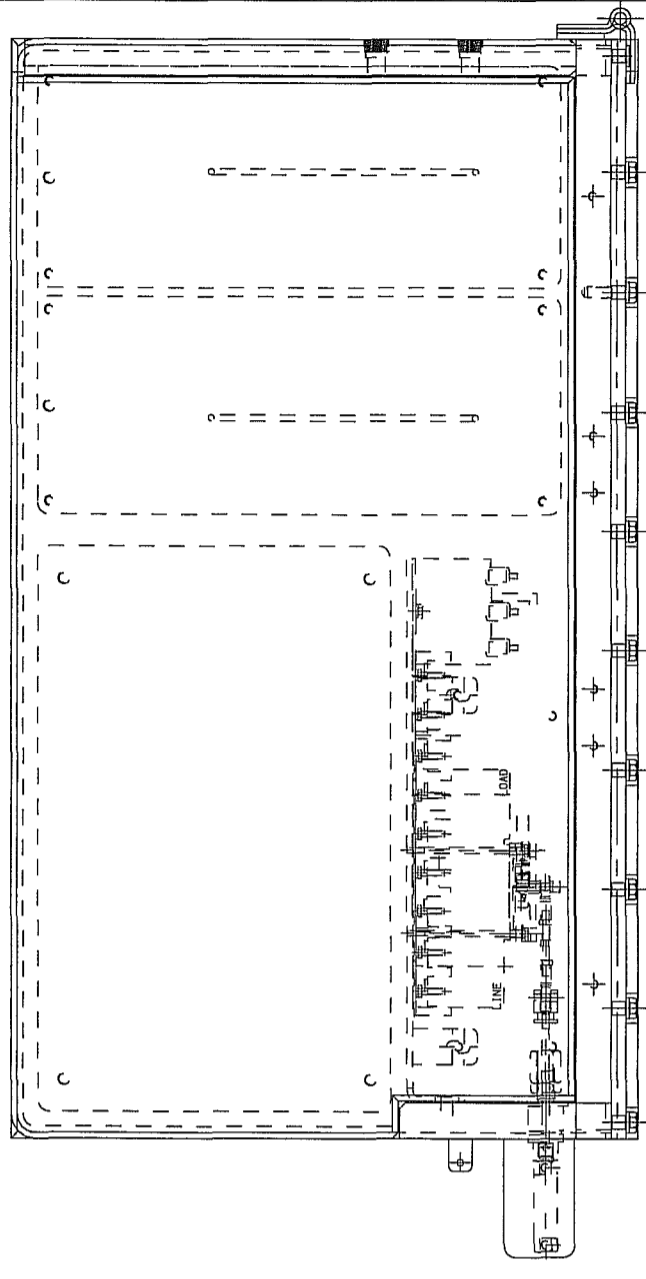
UNLESS OTHERWISE NOTED ALL DIMENSIONS ARE IN INCHES FRACTIONS $\frac{1}{64}$ TOLERANCE ANGLES ± 30 MINUTES FABRICATION TOL $\pm 1/16$	MODEL 2810	DATE 8-24-99	DRWN LH	CHECKED KN	CHIEF ENGR KN
SCALE 1/4	SCALE 1/4	SCALE 1/4	SCALE 1/4	SCALE 1/4	SCALE 1/4
DO NOT SCALE	DO NOT SCALE	DO NOT SCALE	DO NOT SCALE	DO NOT SCALE	DO NOT SCALE
NEXT ASSY. MATRIX			TITLE		
ASSEMBLY - 2 OPER CASE			RADIO OPTION - FP		
FORCED POTATO RADIO			DNG No./PART No.		
1410508			DNG SIZE		
C			C		

ITEM NO.	PART NO.	QTY	U/M	DESCRIPTION	BM	DWG. SIZE
1	60261634	1	EA	SLIP FIT GLAND	.	B
2	49003077	1	EA	SHAFT F/BREAKER RESET	.	B
3	37559703	2	EA	3/8-16x7/8 SHCS	.	.
4	37707189	2	EA	3/8" LOCKWASHER	.	.
5	3430511	1	EA	CLAMP STUFFING BOX	.	B
6	3430473	1	EA	1 1/2" O-RING	.	.
7	37120542	1	EA	JAM NUT 3/4-16 CADPL	.	.
8	37120552	1	EA	HEAVY NUT 3/4-16 CADPL	.	.
9	.	REF	EA	CLEVIS	.	.
10	.	REF	EA	ROD	.	.
11	.	REF	EA	ROD END	.	.

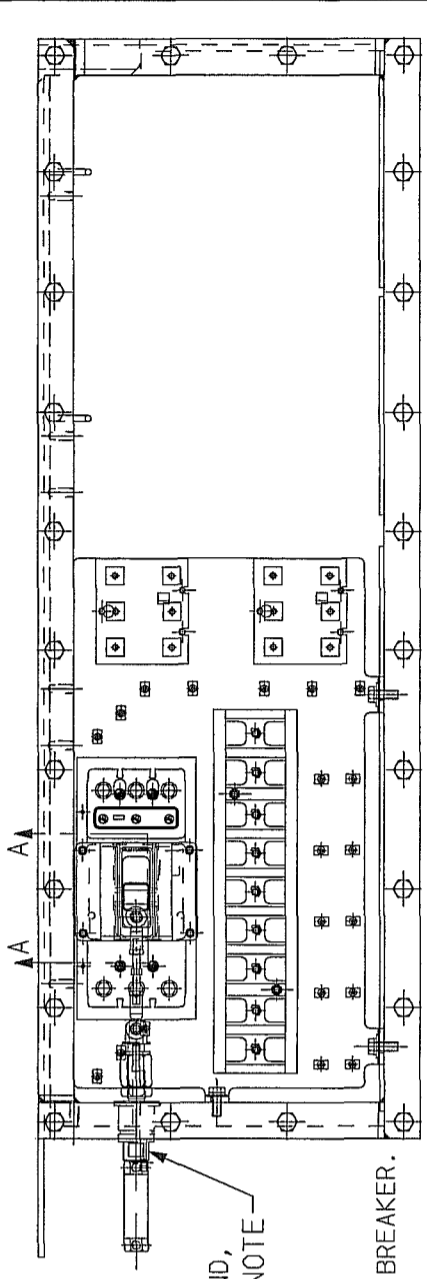
SEE STANDARD CASE ASSEMBLY FOR PART NUMBERS 9, 10 & 11.



NOTE:
DRAIN HOLE IN ITEM No# 1 MUST POINT DOWN



- NOTE: "ON" ADJUSTMENT
- TURN CIRCUIT BREAKER TO THE ON POSITION.
 - ADJUST ITEMS# 7 & 8 SO THE RIGHT DOWEL PIN IS RESTING AGAINST RIGHT SIDE OF THE PLASTIC BREAKER HANDLE.
 - VERIFY PROPER OPERATION OF CIRCUIT BREAKER BY OPERATING "PUSH TO TRIP" BUTTON ON BREAKER. OPERATE CYLINDER, AND VERIFY PROPER RESET AND ON OFF FUNCTION.
- NOTE: "OFF" ADJUSTMENT
- TURN CIRCUIT BREAKER TO THE OFF POSITION.
 - ADJUST ITEMS# 7 & 8 SO THE RIGHT DOWEL PIN IS RESTING AGAINST RIGHT SIDE OF THE PLASTIC BREAKER HANDLE.
 - VERIFY PROPER OPERATION OF CIRCUIT BREAKER BY OPERATING "PUSH TO TRIP" BUTTON ON BREAKER. OPERATE CYLINDER, AND VERIFY PROPER RESET AND ON OFF FUNCTION.
- NOTE: "ON" ADJUSTMENT
- TURN CIRCUIT BREAKER TO THE ON POSITION.
 - ADJUST ITEMS# 7 & 8 SO THE RIGHT DOWEL PIN IS RESTING AGAINST RIGHT SIDE OF THE PLASTIC BREAKER HANDLE.
 - VERIFY PROPER OPERATION OF CIRCUIT BREAKER BY OPERATING "PUSH TO TRIP" BUTTON ON BREAKER. OPERATE CYLINDER, AND VERIFY PROPER RESET AND ON OFF FUNCTION.
- NOTE: "OFF" ADJUSTMENT
- TURN CIRCUIT BREAKER TO THE OFF POSITION.
 - ADJUST ITEMS# 7 & 8 SO THE RIGHT DOWEL PIN IS RESTING AGAINST RIGHT SIDE OF THE PLASTIC BREAKER HANDLE.
 - VERIFY PROPER OPERATION OF CIRCUIT BREAKER BY OPERATING "PUSH TO TRIP" BUTTON ON BREAKER. OPERATE CYLINDER, AND VERIFY PROPER RESET AND ON OFF FUNCTION.



UNLESS OTHERWISE NOTED ALL DIMENSIONS DECIMALS ±.005" TOLERANCE FRACTIONS ± 1/64" FIBERS ±.00 MINUTES FABRICATION TOL. DATE 5-20-00	MODEL 28T10	DRAWN LH	CHECKED KN	CHIEF ENGR KN
WEIGHT	SCALE 3/16	DO NOT SCALE		

Copyright 2000
EIMCO LLC
P.O. BOX 1100
BLUEFIELD WV 24701-1100
304-327-0260
A SANBYK COMPANY

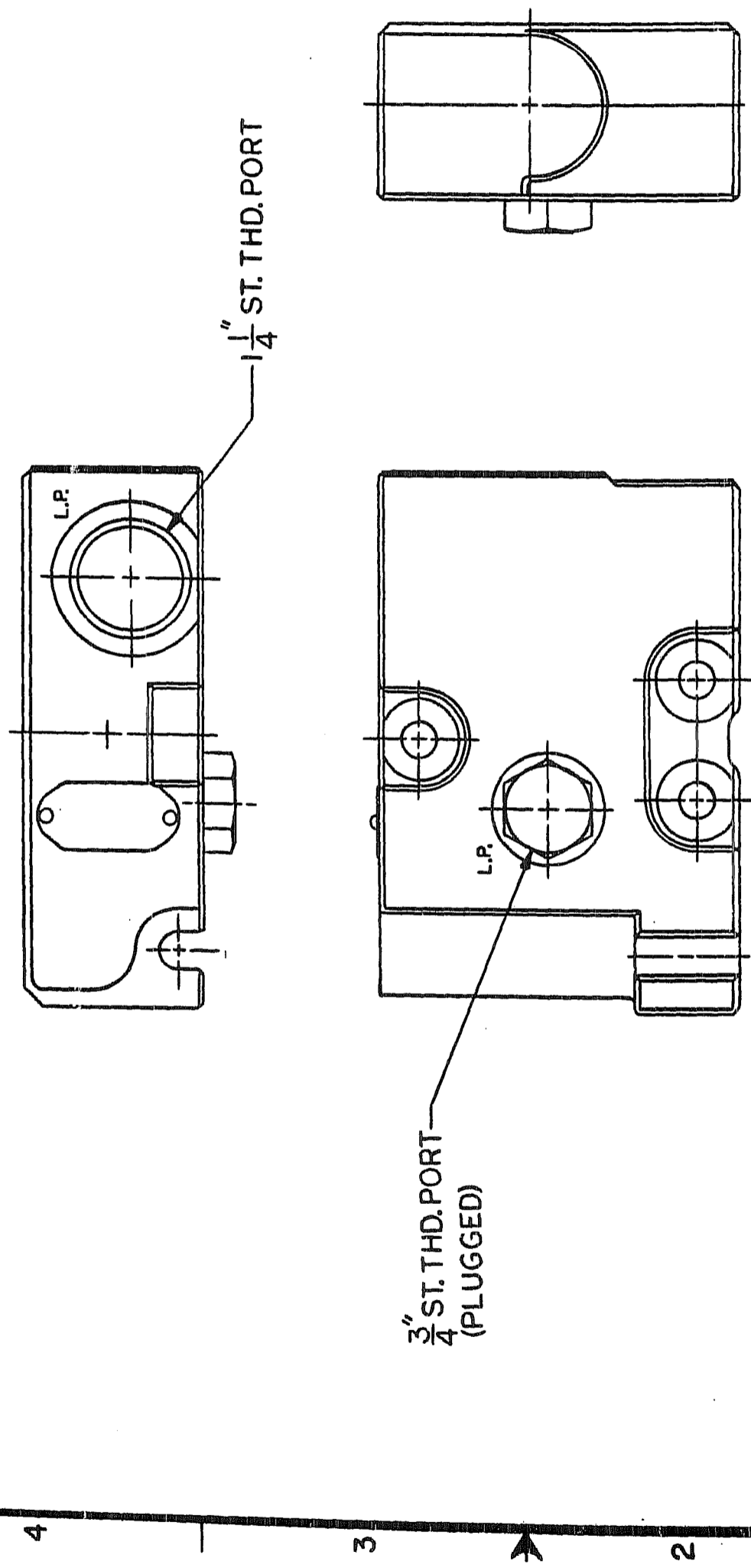
REV	ECN	BY	DATE	REV	ECN	BY	DATE
(E)	.	.	.	(L)	.	.	.
(D)	.	.	.	(K)	.	.	.
(C)	.	.	.	(J)	.	.	.
(B)	Y561	LH	2-14-03	(I)	.	.	.
(A)	X929	LH	10-3-01	(H)	.	.	.

THIS DRAWING NOT TO BE CHANGED WITHOUT ENGINEERING APPROVAL
REF. M.S.H.A. DRAWING X/P-3645-1 5030196

Drawn on CAD
EIMCO
A SANBYK COMPANY
Copyright 2000
EIMCO LLC
P.O. BOX 1100
BLUEFIELD WV 24701-1100
304-327-0260
NEXT ASSY. MATRIX
OPTION TRAM TBR
BREAKER RESET
DWG No./PART No.
1410637
DWG SIZE
C

D MICRO FILMED
9260 2945-1

A B C D



FOX		MICROFILM	AT
A.M.	126-84		

NATIONAL MINE SERVICE CO.
ASHLAND DIV. CLARKSON DIV.

OUTLET ASSEMBLY
(30-50 G.P.M.)

Drwn. & Dtd. RMC 9-29-83
Scale NONE
DO NOT SCALE DRAWING
NMSC NO. 9260 2945

Model 2460
Weight

UNLESS OTHERWISE NOTED:
DIMENSIONS ARE IN INCHES
MACH. { DECIMALS ± .005"
TOL. { FRACTIONS ± .010"
ANGLES ± 30 minutes
FABRICATION TOL. ± 1/16"

Checked *E. J. ...*
Ref. *...*
Sheet 1 of 1
DRAWING NO. B

G			
F			
E			
D			
C			
B			
A			

Sym Loc. ECN. Date, Initials
REVISIONS

B-5140 *PR* LIT No.

CLICK HERE TO **DOWNLOAD** THE COMPLETE MANUAL

- Thank you very much for reading the preview of the manual.
- You can download the complete manual from: www.heydownloads.com by clicking the link below

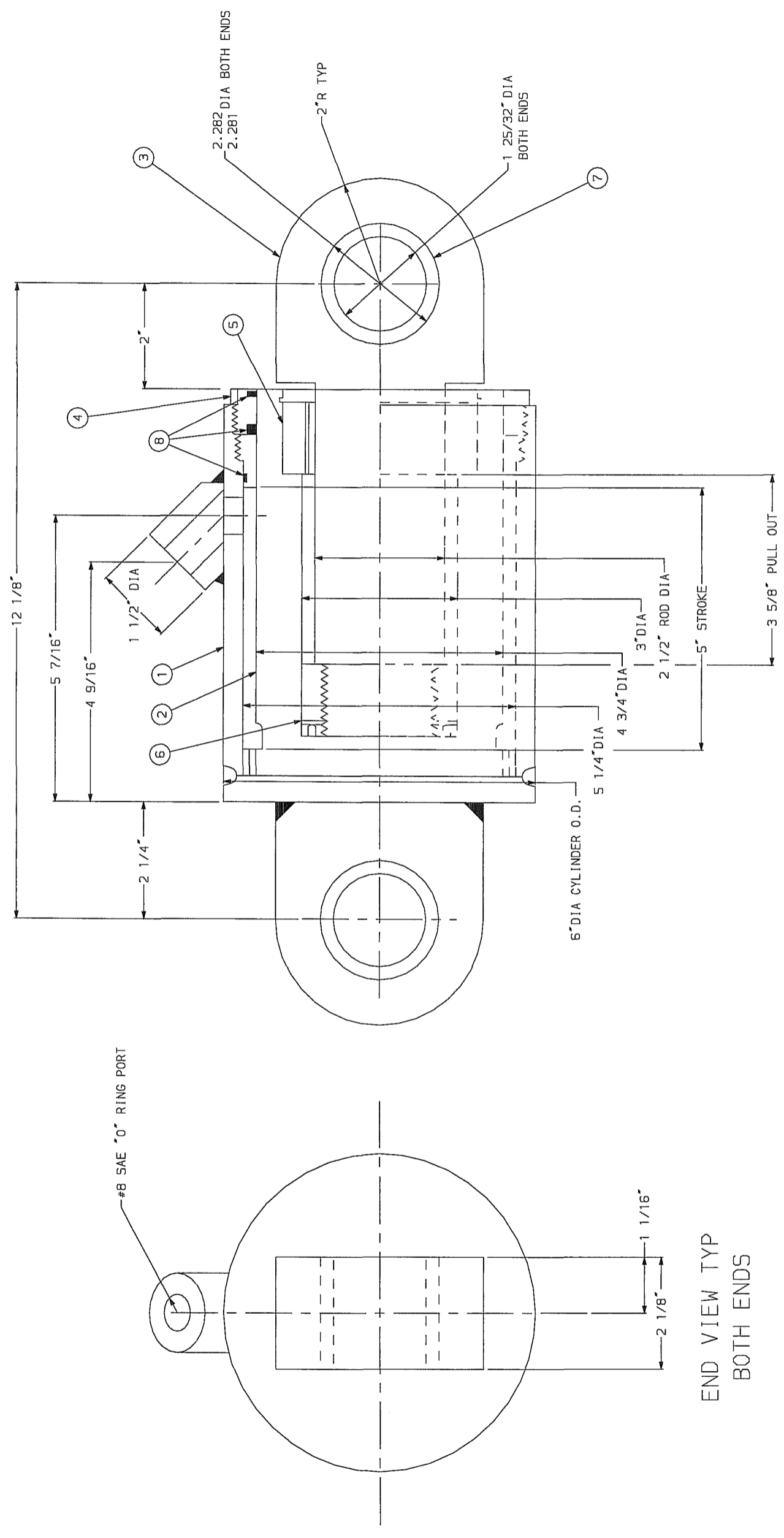


- Please note: If there is no response to CLICKING the link, please download this PDF first and then click on it.

CLICK HERE TO **DOWNLOAD** THE COMPLETE MANUAL

(A) BILL OF MATERIAL

ITEM NO.	PART NO.	QTY/U/M	DESCRIPTION	DMG. SIZE
1	49003001	1 EA	BARREL ASSEMBLY	
2	49003002	1 EA	FIRST STAGE ASSEMBLY	
3	49003003	1 EA	PLUNGER	
4	49003004	1 EA	MAIN CYL. GLAND	
5	49003005	1 EA	FIRST STAGE GLAND	
6	49003006	1 EA	PISTON	
7	49003007	2 EA	STEEL BUSHINGS	
8	49003008	1 EA	SEAL KIT	



END VIEW TYP
BOTH ENDS

<p>UNLESS OTHERWISE NOTED ALL DIMENSIONS ARE IN INCHES DECIMALS ARE TO 3 DIGITS FRACTIONS ARE TO 16THS OF AN INCH</p> <p>DATE: 09/13/90 DRAWN BY: JAB CHECKED BY: JAB SCALE: FULL 30 NOT SCALE CHIEF ENGR.</p>	<p>Copyright 1990</p> <p>Drawn on CAD</p> <p>EIMCO LLC P.O. BOX 1100 BLUEFIELD WV 24701-1100 304-327-0250</p> <p>A MEMBER COMPANY</p> <p>EIMCO</p>	<p>NEXT ASSY.</p> <p>TITLE: LIFT CYLINDER GATHERING HEAD</p> <p>DMG No./PART No.: 49002791</p> <p>DWG SIZE: D</p>
---	--	---

REV	ECN	BY	DATE	REV	ECN	BY	DATE
⑥							
⑤							
④							
③							
②							
①							
④	V215	ADS	4-8-98				

ITEM NO.	PART NO.	QTY	U/M	DESCRIPTION	BM SIZE
1	50134609	1	EA	1 EA FITTING KIT	X
2	50130767	1	EA	1 EA HYD HOSE, 2" SUCTION	C
3	74402017	4	EA	4 EA CLAMP, BREEZE	.
4	50046572	1	EA	1 EA HOSE END, 2" MALE PIPE	.
5	50134442	1	EA	1 EA SPLIT FLANGE 2"	A
6	50010947	1	EA	1 EA FLANGE HALF	.
7	50133772	1	EA	1 EA HOSE STEM 2" JIC	.
8	71206114	1	EA	1 EA O RING	.
9	37511318	4	EA	4 EA SHCS, 1/2-13NC x 1 1/2"	.
10	60241957	1	EA	1 EA BULKHEAD PLATE	B
11	0201643	2	EA	2 EA 90° 1/2 JIC BULKHEAD	.
12					.

NOTE: STUB TAIL MACHINES DO NOT HAVE A SWING CYLINDER. PLUG WORK PORTS IN MAIN VALVE BANK.



HOSE SPEC: 1/2" AND SMALLER 100R2
 HOSE SPEC: 3/4" AND 1" 100R12
 HOSE SPEC: 1 1/4" 100R2

HOSE NO.	I.D. X LGTH.	HOSE NO.	I.D. X LGTH.	HOSE NO.	I.D. X LGTH.
1	3/4 X 60	34	3/4 X 60	67	1/4 X 36
2	3/4 X 48	35	1/2 X 60	68	1/4 X 24
3	3/4 X 48	36	1/2 X 60	69	1/4 X 28
4	3/4 X 54	37	3/4 X 24	70	1/4 X 24
5	3/4 X 48	38	3/8 X 96	71	1/4 X 30
6	3/4 X 48	39	1/2 X 60	72	1/4 X 12
7	3/4 X 50	40	1/2 X 54	73	1/4 X 12
8	1/2 X 48	41	1/2 X 48	74	1/4 X 24
9	1/2 X 48	42	1/2 X 48	75	1/4 X 16
10	1/2 X 54	43	1/2 X 28	76	3/8 X 16
11	1/2 X 48	44	1/2 X 60	77	1/4 X 30
12	1/2 X 48	45	1/2 X 54	78	1/4 X 24
13	3/4 X 60	46	1/2 X 48	79	1/4 X 24
14	3/4 X 48	47	1/2 X 48	80	1/4 X 12
15	1/4 X 36	48	1/2 X 31	81	1/4 X 12
16	1/2 X 60	49	1/2 X 60	82	1/4 X 54
17	1/2 X 30	50	1/2 X 42	83	1/4 X 12
18	1/4 X 10	51	1/2 X 66	84	1/4 X 60
19	1/2 X 60	52	1/2 X 60	85	1/4 X 60
20	1/2 X 60	53	1/2 X 36	86	1/4 X 60
21	1/2 X 24	54	1/2 X 72	87	1/4 X 12
22	1/2 X 42	55	1 X 48	88	1/4 X 12
23	1/2 X 60	56	1 X 36	89	1/4 X 60
24	1/2 X 54	57	1 X 54	90	1/4 X 60
25	1/2 X 60	58	3/8 X 36	91	1/4 X 60
26	1/2 X 24	59	3/8 X 60	92	1/4 X 36
27	1/2 X 30	60	3/8 X 54	93	1/4 X 36
28	1/4 X 12	61	3/8 X 60	94	1/4 X 36
29	1/4 X 12	62	3/8 X 54	95	1/4 X 60
30	1/4 X 12	63	3/8 X 60	96	1/4 X 36
31	3/8 X 60	64	3/8 X 24	97	1/4 X 36
32	3/8 X 28	65	3/8 X 36	98	1/4 X 36
33	3/8 X 28	66	1/4 X 12	99	1 1/4 X 72
				100	1 X 60
				101	3/4 X 48

ITEM NO.	PART NO.	VENDOR NO.	QTY	DESCRIPTION	ITEM NO.	PART NO.	VENDOR NO.	QTY	DESCRIPTION
A	50032986	206804-12-125	4	ADPT 3/4 ORB - 3/4 FP LONG	AP	50131045	203102-4-45	4	TEE 1/4 F SW - 1/4 JIC
B	50131487	206801-12-125	5	ADPT 3/4 ORB - 3/4 FP SHORT	AQ	50021815	2033-6-65	2	TEE 3/8 JIC
C	50015015	2021-12-125	3	ADPT 3/4 MP - 3/4 JIC	AR	50055763	2024-12-65	2	EL 90 3/4 MP - 3/8 JIC
D	50014810	2021-12-85	8	ADPT 3/4 MP - 1/2 JIC	AS	50026319	2081-6-4	3	REDUCER 3/8 MP - 1/4 FP
E	50037712	202702-12-125	2	ADPT 3/4 ORB - 3/4 JIC	AT	0201268	2028-4-45	2	TEE 1/4 MP - 1/4 MJIC
F	50037696	202702-12-85	2	ADPT 3/4 ORB - 1/2 JIC	AU	50061597	2216-6-85	1	ADPT., 1/2 ORB - 3/8 FP
G	50134372	221501-12-8	4	RED 3/4 FJIC - 1/2 MJIC	AV	50037415	202702-4-45	2	ADAPTER 1/4 ORING - 1/4 MJIC
H	50021914	2033-12-125	3	TEE 3/4 JIC	AW	50006444	203005-6-65	1	TEE 3/8 ORING - 3/8 MJIC
I	50020718	2027-8-85	14	ADAPT 1/2 JIC - 1/2 JIC	AX	0201124	221501-6-4	1	REDUCER 1/4 MJIC - 3/8 FJIC
J	50020817	2027-12-125	4	ADPT 3/4 JIC - 3/4 JIC	AY	50037910	202702-16-125	1	ADPT 1 ORB - 3/4 JIC
K	50024819	2062-6-6	1	EL 90° 3/8 SAE - 3/8 JIC	AZ	9010041	2040-4-45	1	ADPT 1/4 MP - 1/4 FP
L	50019512	2024-20-205	2	EL 90° 1 1/4 MP - 1 1/4 JIC	BA	0201188	2071-16-165	1	EL 90° 1 FJIC - 1 MJIC SW
M	50005222	2071-12-125	1	EL 90° 3/4 MJIC - 3/4 FJIC SW	BB	0202096	2081-32-205	1	BUSHING 2" - 1 1/4" PIPE
N	50038553	2062-12-85	3	EL 90° 3/4 ORB - 1/2 JIC	BC	50006071	2061-20-165	1	ADPT 1 1/4 ORB - 1 JIC
O	50132249	203102-6-6	1	TEE 3/8 JIC SW	BD	50020916	2027-16-165	2	UNION 1 JIC
P	50037613	202702-8-85	4	ADPT 1/2 ORB - 1/2 JIC	BE	50007657	2071-8-85	5	EL 90° 1/2 FJIC - 1/2 JIC SW
Q	50028216	2083-12-125	1	ADPT 3/4 MP - 3/4 MP	BF	50015312	2021-16-165	1	ADPT 1 MP - 1 JIC
R	50014315	2021-6-8	1	ADPT 3/8 MP - 1/2 JIC	BG	0201641	2041-8-85	2	ADPT 1/2 JIC BULKHEAD
S	50021864	2033-8-85	2	TEE 1/2 JIC	BH	50030923	2091-16-165	1	TEE 1 FP - 1 MP
T	50097989	900598-125	1	PLUG 3/4 ORB	BI	50028356	2083-16-16	1	ADPT 1 MP - 1 MP
U	50047455	2020-8-85	1	CROSS 1/2 MJIC	BJ	50014414	2021-8-6	1	ADPT 1/2 MP - 3/8 JIC
V	50132801	2082-125	1	CAP, 3/4 JIC	BK	50029610	2087-16-165	1	EL 90° 1 FP - 1 FP
W	50133575	55021-6-6	2	ADPT 3/8 ORB - 3/8 JIC SW	BL	50130300	203102-8-85	2	TEE 1/2 F SW - 1/2 JIC
X	50133547	55021-8-8	2	ADPT 1/2 ORB - 1/2 JIC SW	BM	50023118	2046-8-85	1	ADPT 1/2 FP - 1/2 FP SW
Y	50020619	2027-6-65	2	ADPT 3/8 MJIC - 3/8 MJIC	BN	9010049	203005-4-45	3	TEE 1/4 ORB - 1/4 JIC - 1/4 JIC
Z	50130944	221501-8-6	3	RED 1/2 FJIC - 3/8 MJIC	BO	50028018	2083-6-6	1	ADPT 3/8 MP - 3/8 MP
AA	50019017	2024-12-85	1	EL 90° 3/4 MP - 1/2 JIC	BP	50024710	2062-4-45	3	EL 90° 1/4 ORB - 1/4 MJIC
AB	50024850	2062-8-85	4	EL 90° 1/2 ORB - 1/2 MJIC	BQ	50021716	2033-4-45	3	TEE 1/4 JIC
AC	50130427	2242-6-6	2	ADPT 3/8 FP - 3/8 FJIC SW	BR	50059906	900598-45	2	1/4 ORB PLUG
AD	50006402	2071-6-65	1	EL 90° 3/8 FJIC - 3/8 JIC SW	BS	50027713	2083-4-2	1	ADPT 1/4 MP - 1/8 MP
AE	50037605	202702-8-65	1	ADPT 1/2 ORB - 3/8 JIC	BT	2090205	2216-2-45	1	ADPT 1/4 ORB - 1/8 FP
AF	50024785	2062-6-45	6	EL 90° 3/8 ORB - 1/4 JIC	BU	50130583	221501-8-45	1	ADPT 1/2 FJIC - 1/4 MJIC
AG	50027911	2083-6-45	1	ADAPTER 3/8 MP - 1/4 MP	BV	50132926	* 1329-04	1	CAP #4 JIC
AH	50018019	2024-4-4	7	ELBOW 90° 1/4 MP - 1/4 MJIC	BW	50024827	2062-6-8	1	EL 90° 3/8 SAE - 1/2 JIC
AI	50015882	2022-4-65	1	ADPT 1/4 FP - 3/8 JIC	BX	50022292	2045-8-6	1	ADAPT 1/2 FP - 3/8 MP SW
AJ	50018415	2024-6-6	1	EL 90 3/8 MP - 3/8 M JIC	BY	50028315	2083-16-12	1	ADAPT 1 MP - 3/4 MP
AK	50020510	2027-4-4	3	ADAPTER 1/4 MJIC - 1/4 MJIC	BZ	50031012	2092-12-125	1	TEE 3/4 MP - 3/4 FP - 3/4 FP
AL	50025014	2062-16-165	12	EL 90° 1 ORB - 1 JIC	CA	50026616	2081-12-45	1	BUSHING 3/4 MNPT - 1/4 FNPT
AM	50013614	2021-4-45	3	ADAPTER 1/4 MP - 1/4 MJIC	CB	50037456	202702-6-4	1	ADPT 3/8 SAE - 1/4 JIC
AN	50015817	2022-4-45	2	ADPT 1/4 FP - 1/4 JIC	CC
AO	50014117	2021-6-45	10	ADPT 3/8 MP - 1/4 JIC	CD

* TRIDENT PART

SHEET 2 OF 2

Copyright 2002
 EIMCO LLC
 P.O. BOX 1100
 BLUEFIELD WV 26011-1100
 304-327-0260

Drain on CAD
 EIMCO
 A TRIDENT COMPANY

SALES QUOTE AND ALL DRAWINGS ARE IN INCHES UNLESS OTHERWISE SPECIFIED. DIMENSIONS ARE TO CENTER UNLESS OTHERWISE SPECIFIED. THIS DRAWING IS THE PROPERTY OF EIMCO. IT IS TO BE USED FOR THE MANUFACTURE OF THE SUBJECT PART ONLY. IT IS NOT TO BE REPRODUCED OR TRANSMITTED IN ANY FORM OR BY ANY MEANS, ELECTRONIC OR MECHANICAL, WITHOUT THE WRITTEN PERMISSION OF EIMCO. REV. 03-02

REV: ECN BY: DATE REV: ECN BY: DATE

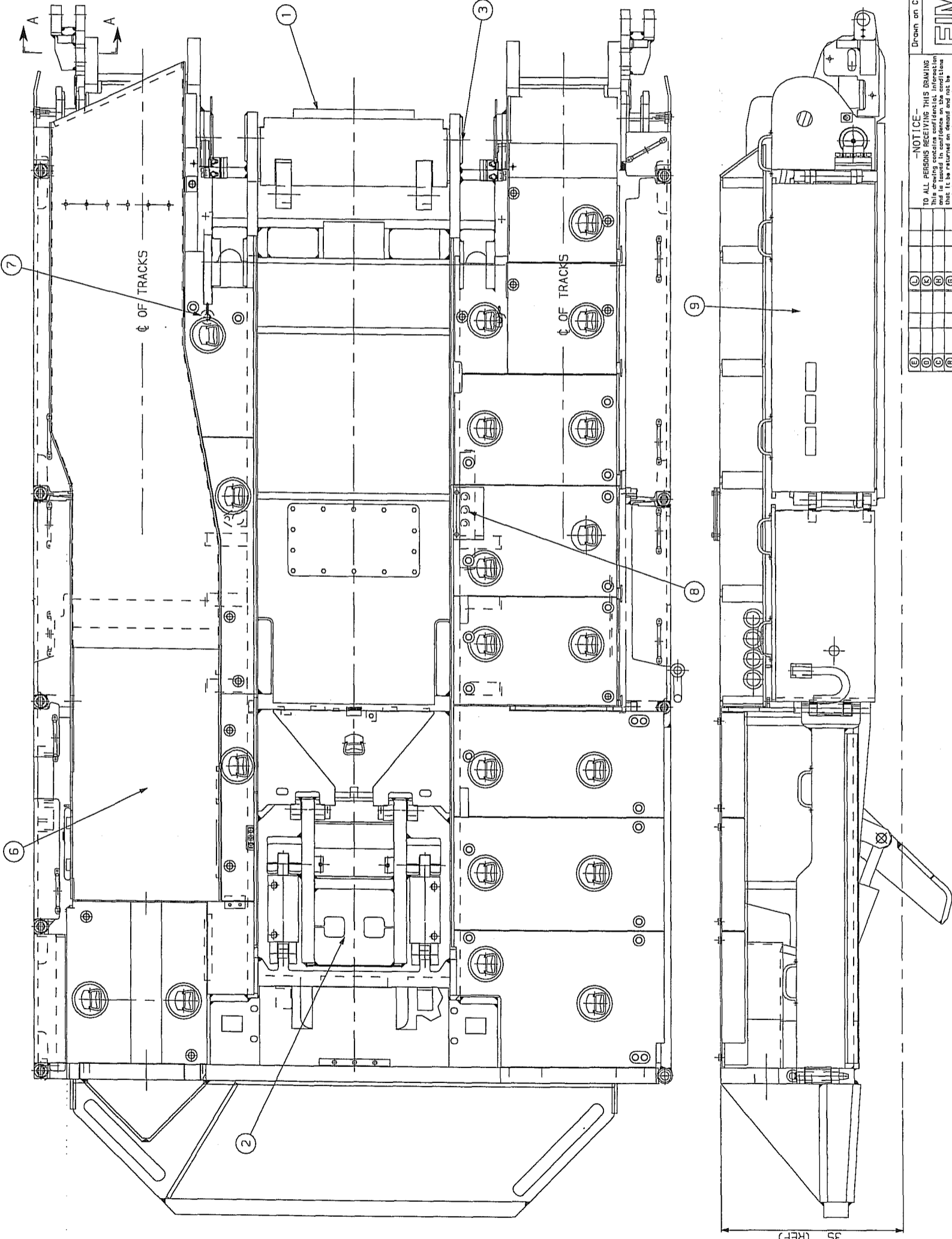
NEXT ASSY: S/N
 TITLE: HYDRAULIC CIRCUIT
 DASH ONE AND TWO HINER
 Dwg No./PART No.: 50134700.sh2

REF. GROUND LINE

BILL OF MATERIAL

B/M No. 60251209

ITEM NO.	PART NO.	QTY	U/M	DESCRIPTION	BM	DMG	STZ
1	60251208	1	EA	T.F. FINAL FAB	X	D	X
2	60240007	1	EA	INSTL, STABILIZER	X	D	X
3	60241319	1	EA	INSTL, PINS & RETAINERS	X	D	X
4	60242113	4	EA	DTL, STRAP, ELECT. CASE	.	B	.
5	37430881	8	EA	HHC5, 3/4 - 10 X 1 LG	.	.	.
6	60251113	1	EA	ASSY, SCRUBBER	X	D	X
7	60244944	1	EA	INSTL, BREATHER	X	C	X
8	60243249	1	EA	INSTL, DIP STICK	X	B	X
9	60241179	1	EA	INSTL, HANDLES, EL CASE	X	C	X



REV	ECN	BY	DATE	REV	ECN	BY	DATE
6				6			
5				5			
4				4			
3				3			
2				2			
1				1			

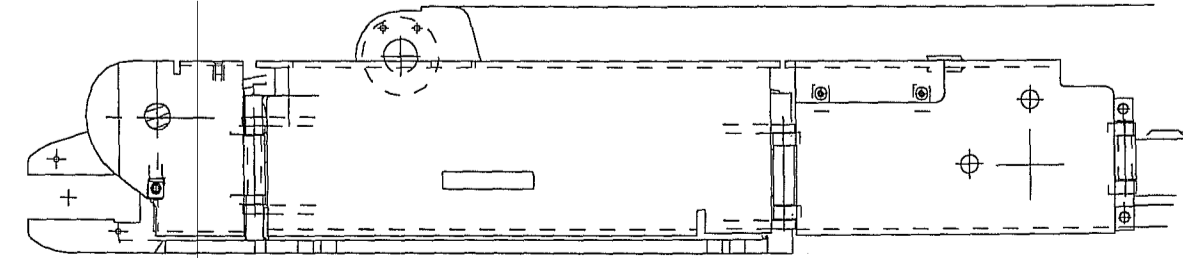
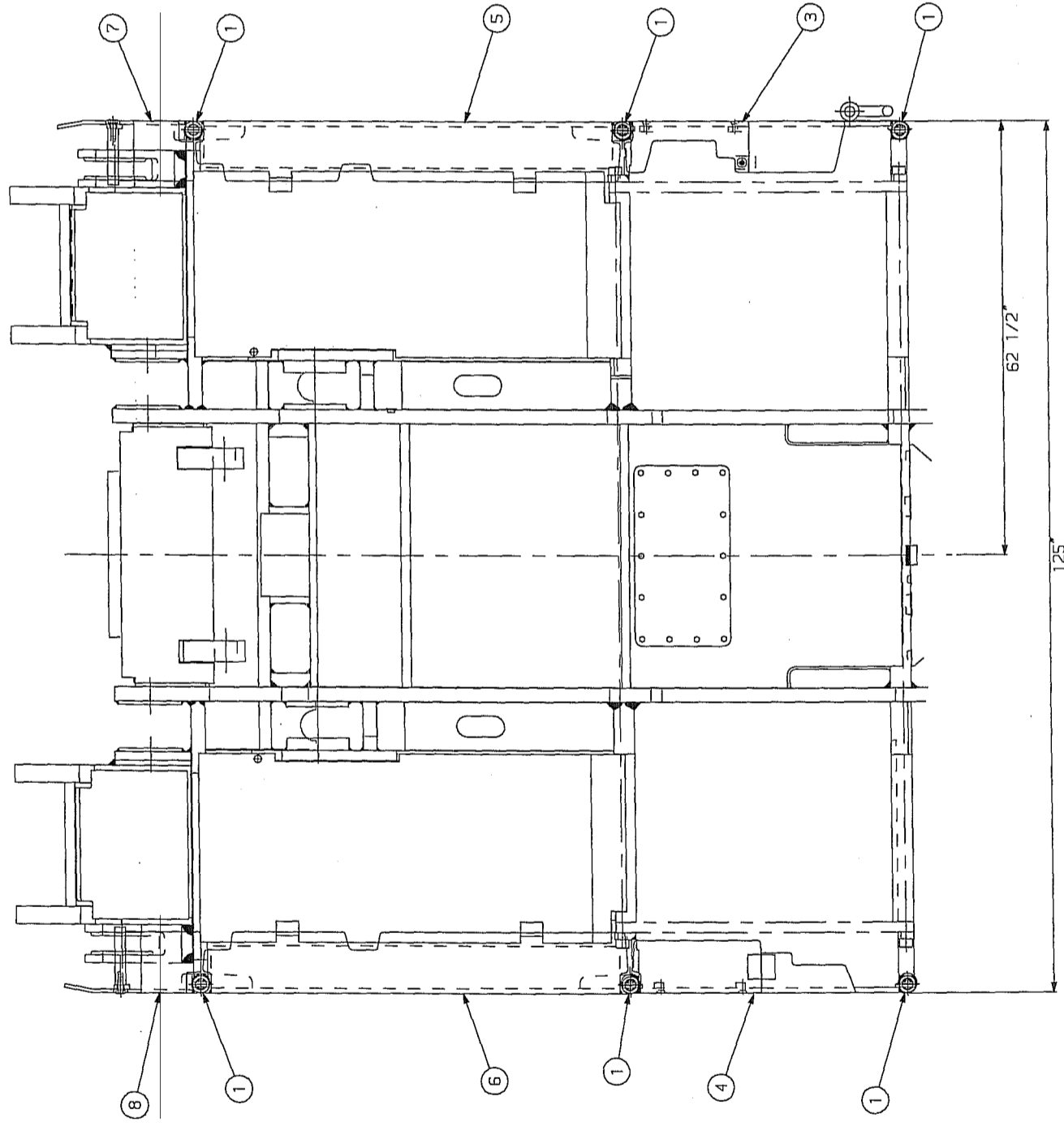
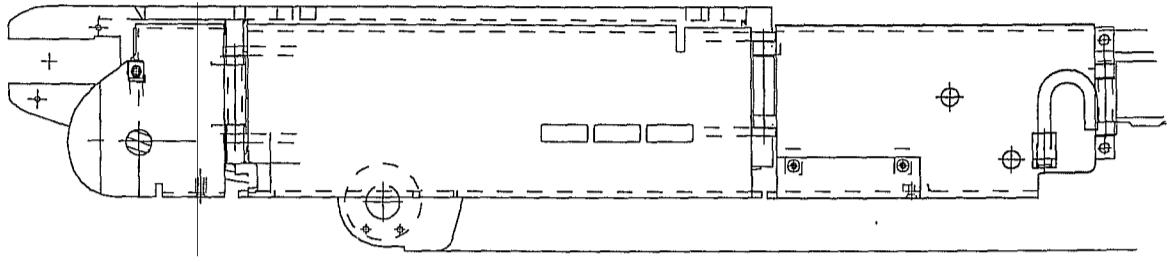
NOTICE - TO ALL PERSONS RECEIVING THIS DRAWING...
 that it be returned on demand and not be...
 used in the manufacture of the subject matter...
 thereof without the consent of Eimco LLC.

Drawn on CAD
EIMCO
 A SWINERT COMPANY

Copyright 2002
 EIMCO LLC
 P. O. BOX 1100
 BLUEFIELD WV 24701-1100
 304-327-0260

UNLESS OTHERWISE NOTED ALL DIMENSIONS ARE IN INCHES...
 TITLE
 T.F. FINAL AS'Y
 9 GROUND CLEARANCE FRAME
 60251209
 60251209

ITEM NO.	PART NO.	QTY/U/M	DESCRIPTION	BM	UNIT
1	60244563	6	EA PIN, RUB RAIL, 12 1/2" LG	X	B
2	60240398	2	EA DTL, HINGE, 6 3/4" LG	-	A
3	60251185	1	EA RUB RAIL, TRAM, RH	X	C
4	60251180	1	EA RUB RAIL, TRAM, LH	X	C
5	60251172	1	EA RUB RAIL, ELEC COMP, RH	X	B
6	60251174	1	EA RUB RAIL, ELEC COMP, LH	X	B
7	60251205	1	EA RUB RAIL, FRONT, RH	X	B
8	60251204	1	EA RUB RAIL, FRONT, LH	X	B
9	60245125	1	EA WMT, HINGE 6 3/4" LG RH	X	B
10	60245126	1	EA WMT, HINGE 6 3/4" LG LH	X	B
11	60245129	1	EA W MNT, HINGE 5" LG RH	X	B
12	60245130	1	EA W MNT, HINGE 5" LG LH	X	B
13	60251198	2	EA GUARD RAIL, ELECT. COMP.	-	C



Copyright 2002
 EIMCO LLC
 P.O. BOX 1100
 BLUEFIELD WV 24701-1100
 304-327-0260

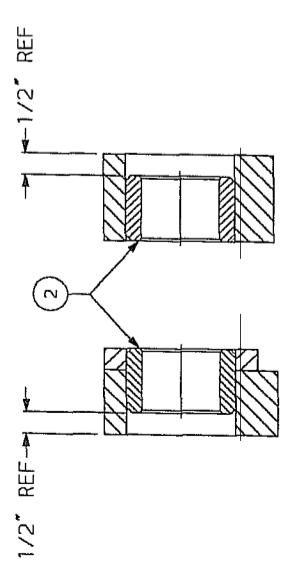
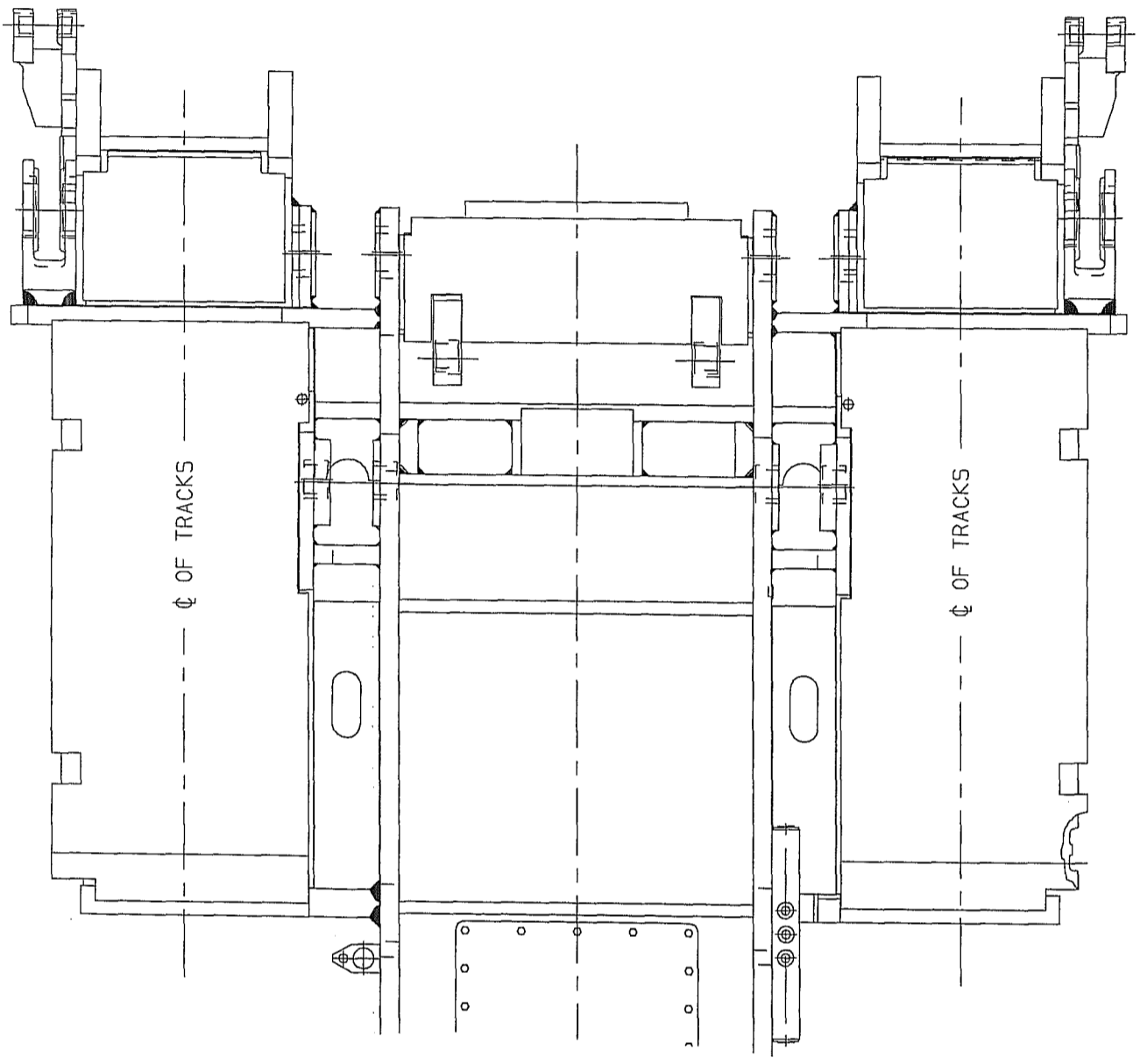
Drawn on CAD
EIMCO
 A SNOW COMPANY

UNLESS OTHERWISE NOTED ALL DIMENSIONS ARE IN INCHES. DIMENSIONS ARE TO BE MAINTAINED UNLESS OTHERWISE SPECIFIED.
 THIS DRAWING IS THE PROPERTY OF EIMCO LLC. IT IS TO BE RETURNED TO EIMCO LLC UPON COMPLETION OF THE PROJECT.
 DATE: 07/19/02
 DRAWN BY: JEF/KLG
 CHECKED BY: JEF/KLG
 DESIGNED BY: JEF/KLG
 PROJECT NO: 60251171
 SHEET NO: 60251171.sh1

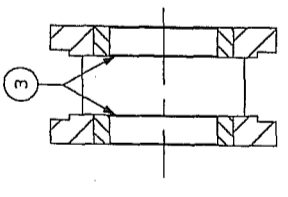
REV	ECN	BY	DATE	REV	ECN	BY	DATE
1							

BILL OF MATERIAL			
ITEM NO.	PART NO.	QTY/U/M	DESCRIPTION
1	11600558	4 ea	BUSH, BOOM LIFT, TF
2	11610391	REF ea	BUSH, G.H. LIFT, TF
3	11624634	4 ea	BUSH, G.H. PIVOT, TF
4	11624536	4 ea	BUSH, BOOM PIVOT, TF
5	11624541	REF ea	BUSH, CONV PIVOT, TF

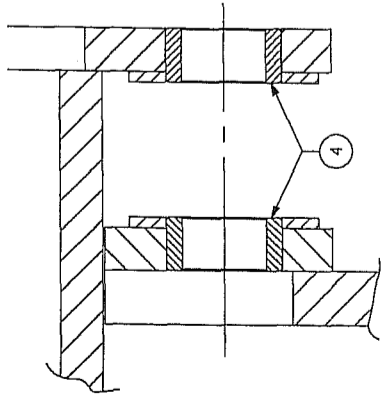
ITEM NO.	PART NO.	QTY/U/M	DESCRIPTION	DMG SIZE	BM
1	11600558	4 ea	BUSH, BOOM LIFT, TF	A	
2	11610391	REF ea	BUSH, G.H. LIFT, TF	A	
3	11624634	4 ea	BUSH, G.H. PIVOT, TF	B	
4	11624536	4 ea	BUSH, BOOM PIVOT, TF	B	
5	11624541	REF ea	BUSH, CONV PIVOT, TF	B	



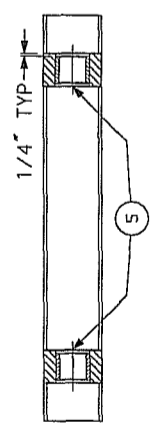
SECTION 'E - E'
SCALE: HALF



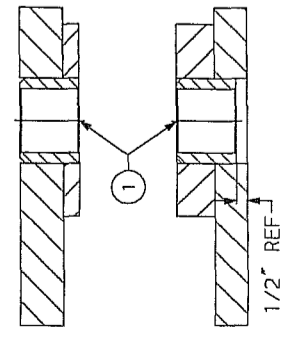
SECTION 'D - D'
SCALE: QUARTER



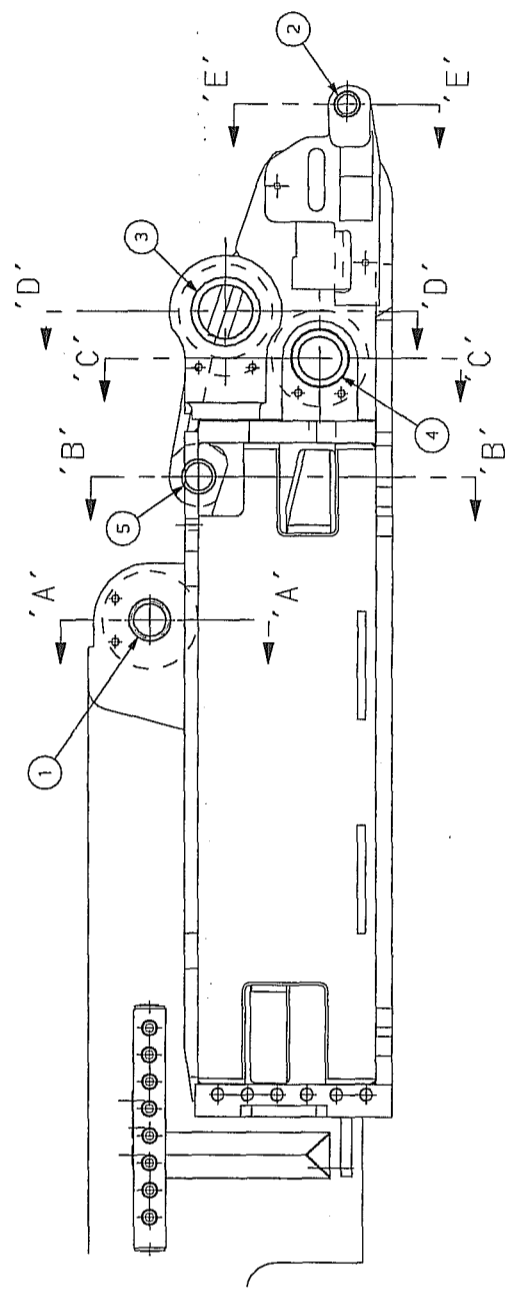
SECTION 'C - C'
SCALE: QUARTER



SECTION 'B - B'
SCALE: 1/8



SECTION 'A - A'
SCALE: QUARTER

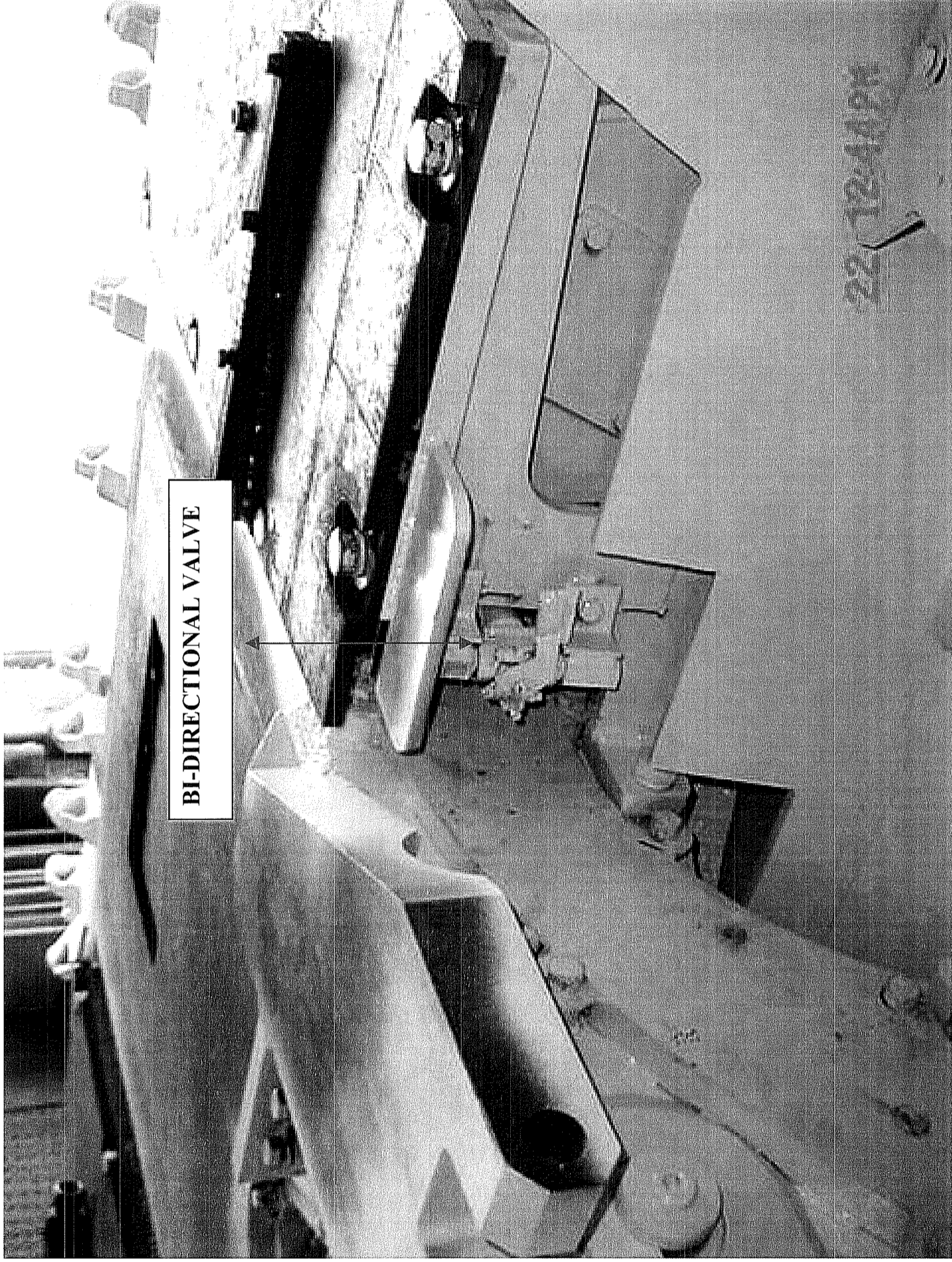


REV	ECN	BY	DATE	REV	ECN	BY	DATE
(E)							
(D)							
(C)							
(B)							
(A)							

Drawn on CAD
Copyright 1988
EIMCO LLC
P.O. BOX 110
BLUFFFIELD, NY 24701-1100
304-527-0260
A SLOWE COMPANY

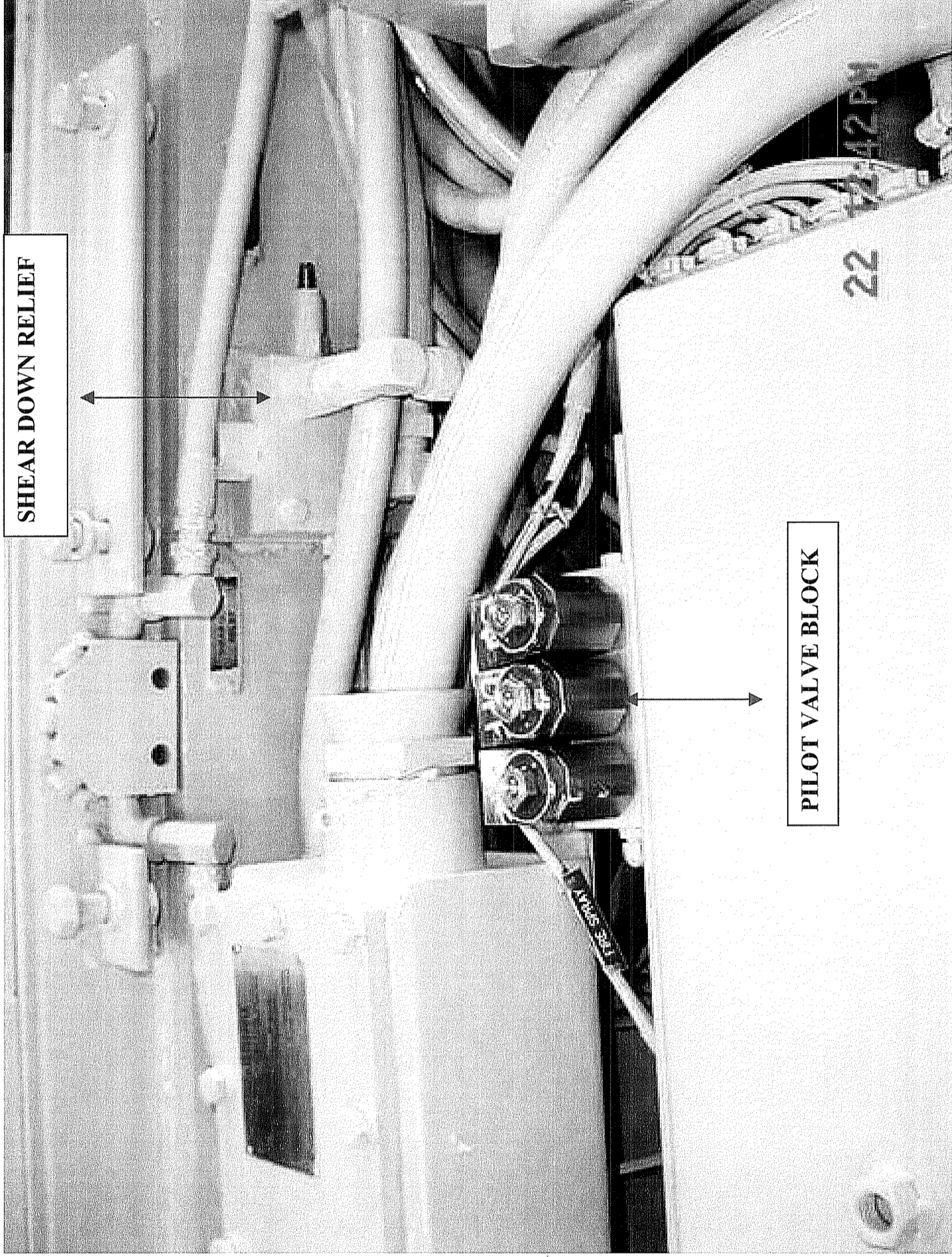
Checklist:
 CHECKED BY: []
 DRAWN BY: []
 DATE: 3-13-88
 MODEL: 60246860
 REF: 158
 SCALE: 1/8
 JOB NO: 60246860
 PART NO: 60246860
 TITLE: BUSHING INSTALLATION
 TRACTOR FRAME
 ASSY: 60246860
 Dwg Size: D

NOTICE -
 TO ALL PERSONS RECEIVING THIS DRAWING
 This drawing contains confidential information
 and is loaned in confidence on the condition
 that it will not be copied, reproduced, or
 used in the manufacture of the subject matter
 hereon without the consent of Eimco LLC.



BI-DIRECTIONAL VALVE

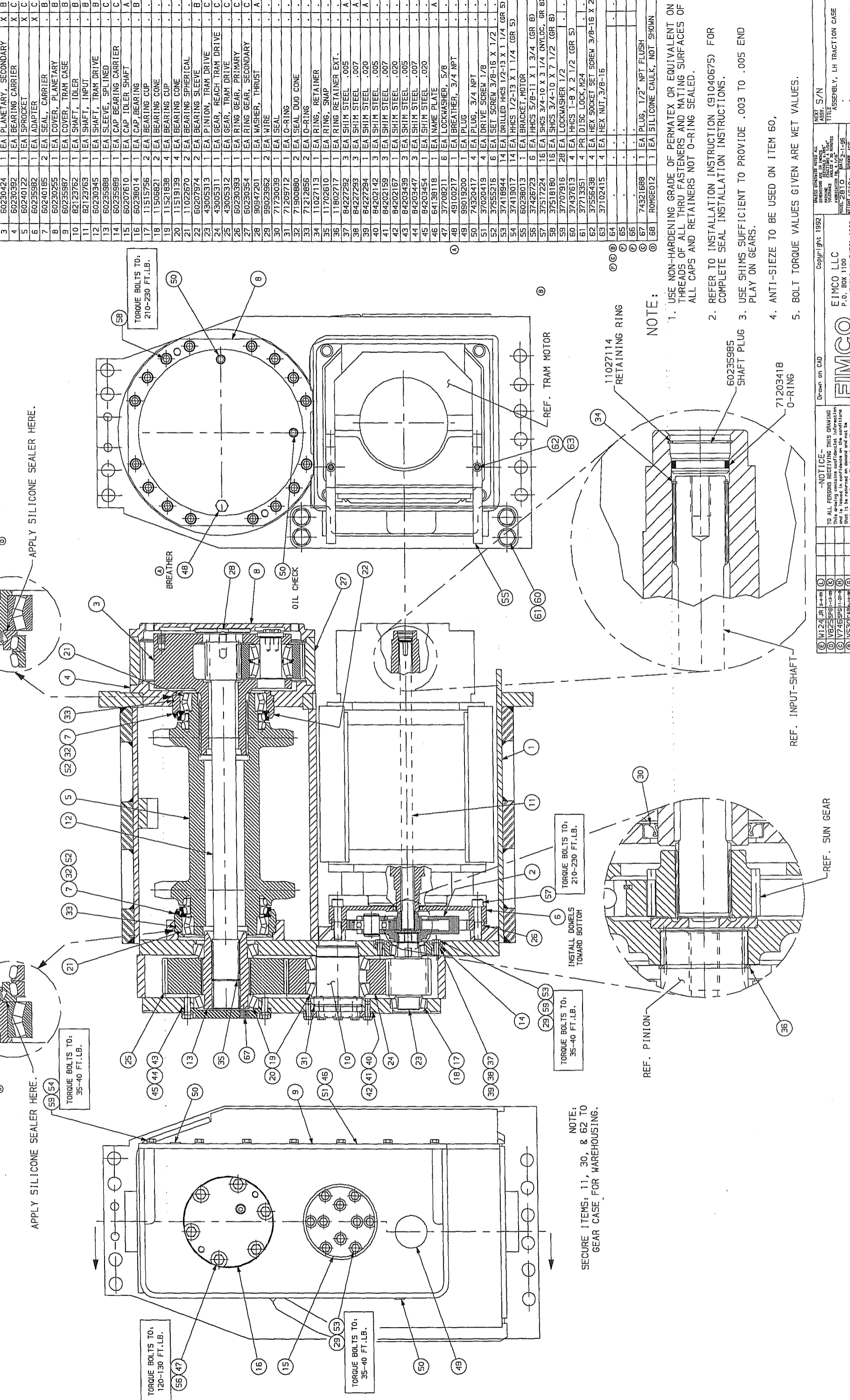
**70880253
MVC-011**



SHEAR DOWN RELIEF

70880253
MVC-003

ITEM NO.	PART NO.	QTY/U/M	DESCRIPTION	BM	SIZE
1	60238011	1 EA	GEAR CASE, (LH)	X	D
2	60242820	1 EA	PLANETARY, PRIMARY	X	B
3	60230424	1 EA	PLANETARY, SECONDARY	X	B
4	60230392	1 EA	BEARING CARRIER	X	C
5	60240122	1 EA	SPROCKET	X	C
6	60235982	1 EA	ADAPTER	X	C
7	60240185	2 EA	SEAL, CARRIER	B	
8	60230255	1 EA	COVER, PLANETARY	B	
9	60235987	1 EA	COVER, TRAM CASE	B	
10	82123762	1 EA	SHAFT, IDLER	B	
11	82123763	1 EA	SHAFT, INPUT	B	
12	60230345	1 EA	SHAFT, TRAM DRIVE	B	
13	60235988	1 EA	SLEEVE, SPLINED	C	
14	60235989	1 EA	CAP BEARING CARRIER	C	
15	60207610	1 EA	CAP IDLER SHAFT	A	
16	60238014	1 EA	CAP BEARING	B	
17	11515756	2 EA	BEARING CUP		
18	11506821	2 EA	BEARING CONE		
19	11521838	4 EA	BEARING CUP		
20	11519139	4 EA	BEARING CONE		
21	11022670	2 EA	BEARING SPHERICAL		
22	60207974	2 EA	BEARING SLEEVE		
23	43005313	1 EA	PINION, TRAM DRIVE	C	
24	43005311	1 EA	GEAR, REACH TRAM DRIVE	C	
25	43005312	1 EA	GEAR, TRAM DRIVE	C	
26	60230393	1 EA	RING GEAR, PRIMARY	C	
27	60230354	1 EA	RING GEAR, SECONDARY	C	
28	90947201	1 EA	WASHER, THRUST	A	
29	95023952	2 EA	WIRE		
30	71730039	1 EA	O-RING		
31	71209712	1 EA	O-RING		
32	71900880	2 EA	SEAL DUD CONE		
33	71212856	2 EA	O-RING		
34	11027113	1 EA	RING, RETAINER		
35	11702610	1 EA	RING, SNAP		
36	11802717	1 EA	RING, RETAINER EXT.		
37	84227292	3 EA	SHIM STEEL .005	A	
38	84227293	3 EA	SHIM STEEL .007	A	
39	84227294	3 EA	SHIM STEEL .020	A	
40	84202142	3 EA	SHIM STEEL .005		
41	84202159	3 EA	SHIM STEEL .007		
42	84202167	3 EA	SHIM STEEL .020		
43	84203439	3 EA	SHIM STEEL .005		
44	84203447	3 EA	SHIM STEEL .007		
45	84203454	3 EA	SHIM STEEL .020		
46	64138118	1 EA	NAME PLATE	A	
47	37708211	6 EA	LOCKWASHER, 5/8		
48	49100217	1 EA	BREATHER, 3/4 NPT		
49	95019200	1 EA	PLUG, 3/4 NPT		
50	74320417	4 EA	PLUG, 3/4 NPT		
51	37020419	4 EA	DRIVE SCREW 1/8		
52	37555216	6 EA	SET SCREW 3/8-16 X 1/2		
53	37418944	14 EA	DRILLED HHCS 1/2-13 X 1 1/4 (GR 5)		
54	37419017	14 EA	HHCS 1/2-13 X 1 1/4 (GR 5)		
55	60238013	1 EA	BRACKET, MOTOR		
56	37426723	6 EA	HHCS 5/8-11 X 1 3/4 (GR 8)		
57	37517224	16 EA	SHCS 3/4-10 X 3 1/4 CNVLOC, GR B		
58	37518180	16 EA	SHCS 3/4-10 X 7 1/2 (GR 8)		
59	37707916	28 EA	LOCKWASHER 1/2		
60	37437613	4 EA	HHCS 1-8 X 2 1/2 (GR 5)		
61	37713951	4 PR	DISC LOCK, H24		
62	37556438	4 EA	HEX SOCKET SET SCREW 3/8-16 X 2		
63	37102415	4 EA	HEX NUT, 3/8-16		
64					
65					
66					
67	74321688	1 EA	PLUG, 1/2" NPT FLUSH		
68	ROM6E012	1 EA	SILICONE CAULK, NOT SHOWN		



REV	BY	DATE	REV	BY	DATE
1	WJ	24	1	WJ	24
2	WJ	25	2	WJ	25
3	WJ	26	3	WJ	26
4	WJ	27	4	WJ	27
5	WJ	28	5	WJ	28
6	WJ	29	6	WJ	29
7	WJ	30	7	WJ	30
8	WJ	31	8	WJ	31
9	WJ	32	9	WJ	32
10	WJ	33	10	WJ	33
11	WJ	34	11	WJ	34
12	WJ	35	12	WJ	35
13	WJ	36	13	WJ	36
14	WJ	37	14	WJ	37
15	WJ	38	15	WJ	38
16	WJ	39	16	WJ	39
17	WJ	40	17	WJ	40
18	WJ	41	18	WJ	41
19	WJ	42	19	WJ	42
20	WJ	43	20	WJ	43
21	WJ	44	21	WJ	44
22	WJ	45	22	WJ	45
23	WJ	46	23	WJ	46
24	WJ	47	24	WJ	47
25	WJ	48	25	WJ	48
26	WJ	49	26	WJ	49
27	WJ	50	27	WJ	50
28	WJ	51	28	WJ	51
29	WJ	52	29	WJ	52
30	WJ	53	30	WJ	53
31	WJ	54	31	WJ	54
32	WJ	55	32	WJ	55
33	WJ	56	33	WJ	56
34	WJ	57	34	WJ	57
35	WJ	58	35	WJ	58
36	WJ	59	36	WJ	59
37	WJ	60	37	WJ	60
38	WJ	61	38	WJ	61
39	WJ	62	39	WJ	62
40	WJ	63	40	WJ	63
41	WJ	64	41	WJ	64
42	WJ	65	42	WJ	65
43	WJ	66	43	WJ	66
44	WJ	67	44	WJ	67
45	WJ	68	45	WJ	68

Drawn on CAD Copyr ight 1982

NOTICE: TO ALL PERSONS RECEIVING THIS DRAWING This drawing contains confidential information. It is to be used for the purpose for which it is prepared, and is not to be copied, reproduced, distributed to others or otherwise made available in any form without the consent of Emco LLC.

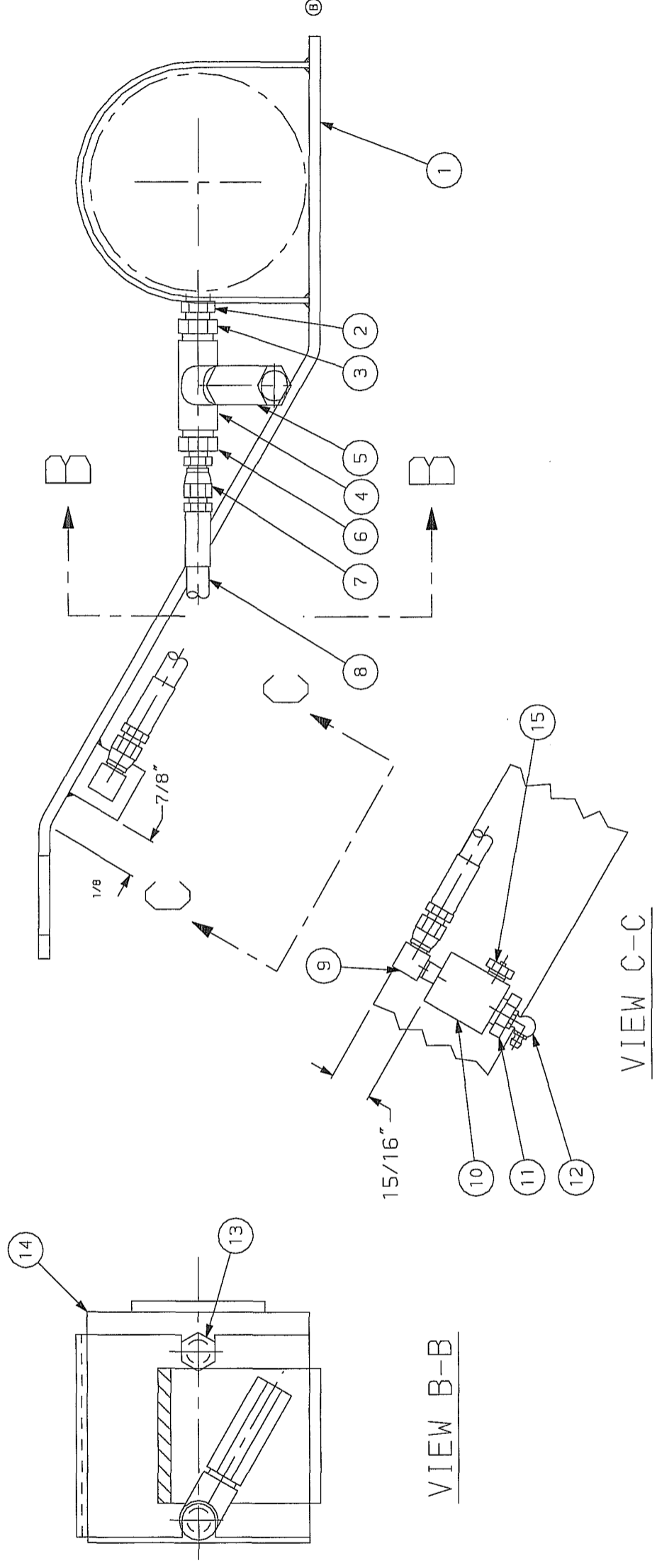
Emco LLC
P.O. BOX 1100
BLUEFIELD WV 24701-1100
A HANCO COMPANY

REV 60238016

BILL OF MATERIAL

ITEM NO.	PART NO.	QTY	U/M	DESCRIPTION	BM	DWG SIZE
1	60240552	1	EA	WELDMENT, MOUNTING	X	B
2	50027812	1	EA	NIPPLE, 1/4 EXT	.	.
3	50026319	1	EA	REDUCER, 3/8 TO 1/4 NPT	.	.
4	50030212	1	EA	TEE, 3/8 NPT	.	.
5	92303320	1	EA	VALVE, RELIEF, 1800PSI	.	.
6	50026822	1	EA	REDUCER, 3/8 TO 1/8 NPT	.	.
7	50002013	1	EA	SWIVEL, 1/8 NPT	.	.
8	2176119	1	EA	HOSE, HYD, 3/16 x 10"	.	.
9	50023340	1	EA	SWIVEL, 90°, 1/8 NPT	.	.
10	60214624	1	EA	RELIEF BLOCK	.	A
11	50053966	1	EA	VALVE, TRACK TAKE UP	.	.
12	2096138	1	EA	GREASE FITTING, 90° 1/8	.	.
13	49100514	1	EA	BREATHER, 1/4 NPT	.	A
14	49203268	1	EA	CYLINDER, TRACK TAKE UP	.	A
15	64076011	1	EA	VALVE, RELIEF, 5 PSI	.	.

(A)



VIEW B-B

VIEW C-C

REV	ECN	BY	DATE	REV	ECN	BY	DATE
(E)				(L)			
(D)				(K)			
(C)				(H)			
(B)	Y450	PJD	07-15-02	(G)			
(A)	V727	CAB	10-27-00	(F)			

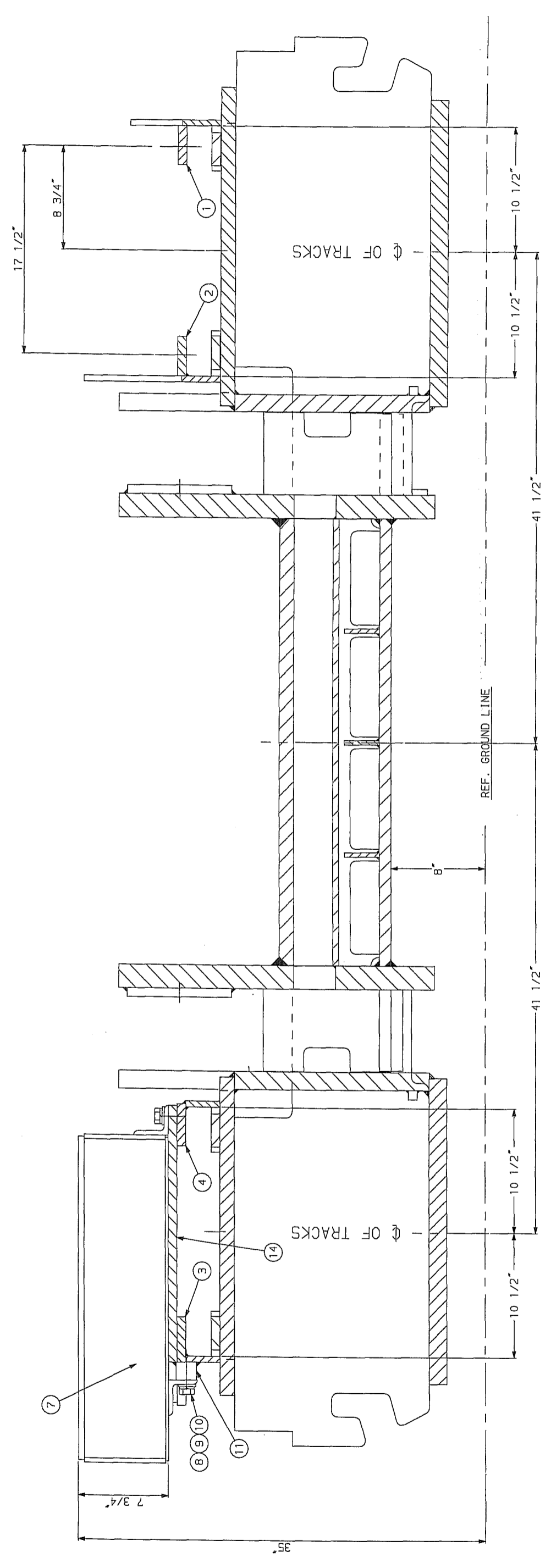
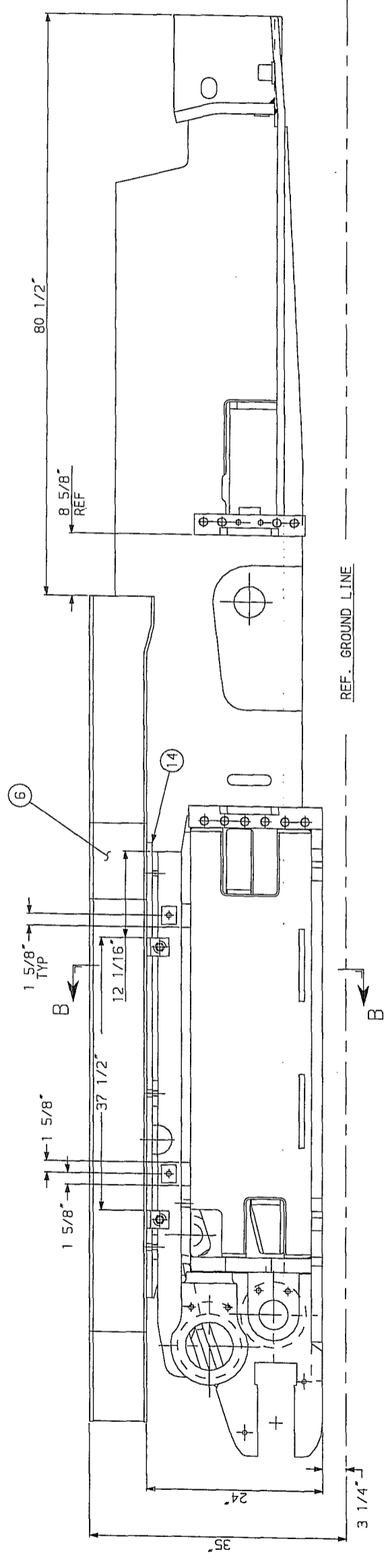
-NOTICE-
 TO ALL PERSONS RECEIVING THIS DRAWING
 This drawing contains confidential information
 and is issued in confidence on the conditions
 that it be returned on demand and not be
 copied, reproduced, disclosed to others or
 used in the manufacture of the subject matter
 thereof without the consent of EIMCO LLC.

Drawn on CAD
EIMCO
 A SANDVIK COMPANY
 EIMCO LLC
 P.O. BOX 1100
 BLUEFIELD WV 24701-1100
 304-327-0260

Copyright 1990
 UNLESS OTHERWISE NOTED ALL
 DIMENSIONS ARE IN INCHES
 FRACTIONS $\frac{1}{64}$
 MACHINE TOLERANCE ANGLES ± 30 MINUTES
 FABRICATION TOL $\pm 1/16$
 MODEL 2810L DATE 1-17-91
 WEIGHT XXX DRAWN SBW
 SCALE 1/4 CHECKED
 DO NOT SCALE CHIEF ENGR

REV	ASSY.	60240193	DWG SIZE
B	TAKE-UP JACK ASSY.		B
	FRONT IDLER		
	DWG No./PART No.	60240509	DWG SIZE
			C

BILL OF MATERIAL		B/M No. 60251169.sh	
ITEM NO.	PART NO.	QTY/U/M	DESCRIPTION



SECTION "B - B"
SCALE: 1/4"

Copyright 2002
EIMCO LLC
P.O. BOX 1100
BLUEFIELD WV 24701-1100
304-327-0260
A BANGOR COMPANY

Drawn on CAD

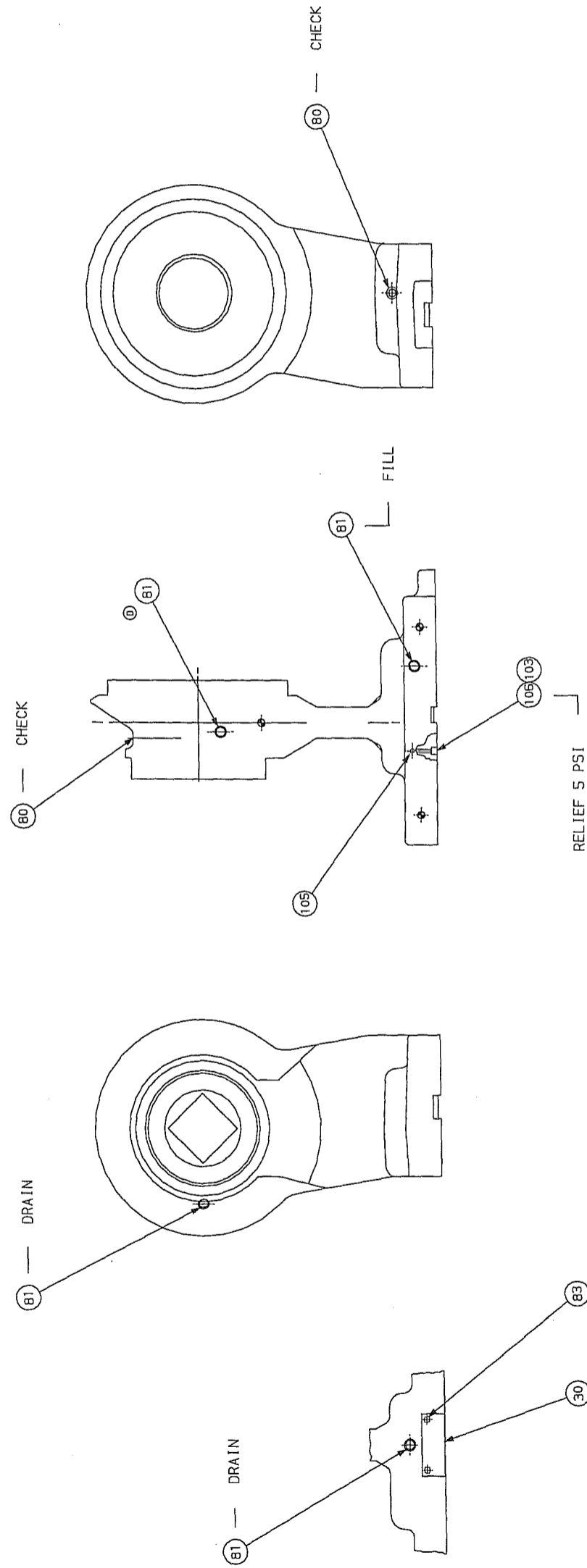
UNLESS OTHERWISE NOTED ALL DIMENSIONS ARE IN INCHES
DIMENSIONS IN PARENTHESES ARE IN MILLIMETERS
DIMENSIONS IN BRACKETS ARE IN MILLIMETERS
DIMENSIONS IN SQUARE BRACKETS ARE IN MILLIMETERS
DIMENSIONS IN CIRCLES ARE IN MILLIMETERS
DIMENSIONS IN TRIANGLES ARE IN MILLIMETERS
DIMENSIONS IN DIAMOND SHAPES ARE IN MILLIMETERS
DIMENSIONS IN OVALS ARE IN MILLIMETERS
DIMENSIONS IN PARALLELOGRAMS ARE IN MILLIMETERS
DIMENSIONS IN TRAPEZOIDALS ARE IN MILLIMETERS
DIMENSIONS IN KITES ARE IN MILLIMETERS
DIMENSIONS IN OTHER SHAPES ARE IN MILLIMETERS
DIMENSIONS IN UNUSUAL SHAPES ARE IN MILLIMETERS
DIMENSIONS IN UNUSUAL SHAPES ARE IN MILLIMETERS
DIMENSIONS IN UNUSUAL SHAPES ARE IN MILLIMETERS

REV	ECN	BY	DATE	REV	ECN	BY	DATE

ASST. 60251100
TITLE INSTL. SCRUBBER INTAKE DUCTS
DWG No./PART No. 60251169.sh2
Dwg Size D

BILL OF MATERIAL

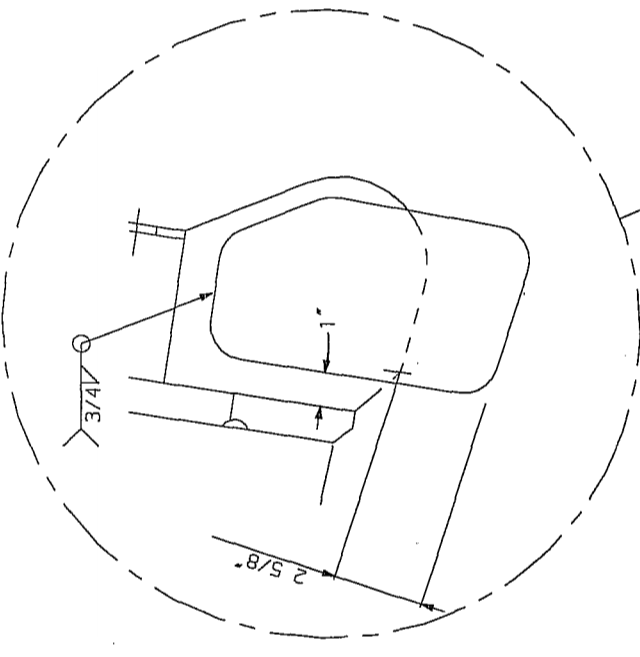
Item No.	Part No.	Qty/U/M	Description	BM
71	8422 7221	3	EA SHIM, NOSE BRG. ADJ. .005	A
72	8422 7222	3	EA SHIM, NOSE BRG. ADJ. .007	A
73	8422 7223	1	EA SHIM, NOSE BRG. ADJ. .020	A
74	8422 7203	3	EA SHIM GEAR BEARING .005	A
75	8422 7204	3	EA SHIM GEAR BEARING .007	A
76	8422 7205	1	EA SHIM GEAR BEARING .020	A
77	8422 7209	3	EA SHIM, INPUT BEARING .005	A
78	8422 7210	3	EA SHIM, INPUT BEARING .007	A
79	8422 7211	1	EA SHIM, INPUT BEARING .020	A
80	7432 1795	2	EA PLUG, 3/4" NPT	A
81	7432 1910	4	EA PLUG, 1" NPT	A
82	3750 7670	8	EA SHCS DH 3/8-16UNC x 1L6.	A
83	3741 8415	2	EA HHCS 1/2-13UNC x 1L6.	F
84	3741 8944	4	EA HHCS DH 1/2-13UNC x 1 1/4L6.	A
85	3751 1011	24	EA SHCS 1/2-13UNC x 1 1/4L6.	A
86	3751 3538	6	EA SHCS DH 5/8-11UNC x 1 1/4L6.	A
87	3741 9413	10	EA HHCS DH 1/2-13UNC x 1 1/2L6.	A
88	3742 6517	8	EA HHCS DH 5/8-11UNC x 1 3/4L6.	A
89	3751 4031	16	EA SHCS DH 5/8-11UNC x 1 3/4L6.	A
90	3751 6226	12	EA SHCS 3/4-10UNC x 1 3/4L6.	A
91	3751 6234	6	EA SHCS DH 3/4-10UNC x 2L6.	A
92	3751 6614	12	EA SHCS 3/4-10UNC x 2 1/4L6.	A
93	3751 8115	17	EA SHCS 3/4-10UNC x 6L6.	A
94	3755 9711	4	EA SHCS 3/4-10UNC x 9 L6.	A
95	9902 3962	50	FT WIRE	A
96	7121 3219	1	EA O-RING	A
97	7110 1809	1	EA O-RING	A
98	7170 0439	1	EA SEAL	A
99	9901 9705	1	EA PLUG	A
100	8233 2201	2	EA KEY	A
101	1170 0739	1	EA RING, RETAINING	A
102
103	6407 6011	1	EA RELIEF 5 PSI	A
104	6023 1172	4	EA BOLT LOCK	B
105	7432 1035	1	EA PLUG, 1/4"	B
106	7430 4114	1	EA BUSHING, REDUCER 1/4-1/8	B



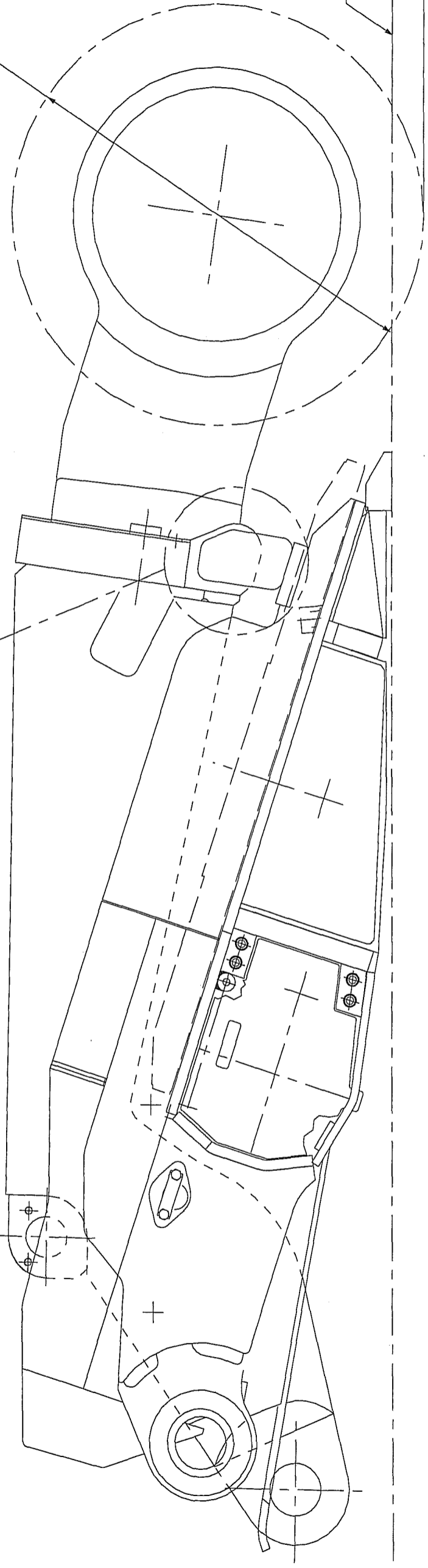
<p>REV ECK BY DATE</p> <p>REV ECK BY DATE</p> <p>REV ECK BY DATE</p> <p>REV ECK BY DATE</p> <p>REV ECK BY DATE</p> <p>REV ECK BY DATE</p>	<p>AGT JBF 1-10-04</p> <p>MBB3 JBF 1-10-04</p> <p>MR43 JBF 1-10-04</p> <p>KLBS JBF 2-92</p> <p>INS22 JBF 10-20-04</p> <p>LE000 JBF 10-20-04</p>	<p>Copyright 1998</p> <p>Drawn on CAD</p> <p>EIMCO LLC P.O. BOX 1100 BLUEFIELD WV 24701-1100 304-327-0260</p> <p>A JIMCO COMPANY</p>	<p>UNLESS OTHERWISE NOTED ALL DIMENSIONS ARE IN INCHES. FRACTIONS ARE TO BE USED IN PLACE OF DECIMALS. DIMENSIONS TO BE USED FOR FABRICATION ARE 1/16" INCREMENTS UNLESS OTHERWISE NOTED.</p> <p>PROJ. 2810</p> <p>REV 2-21-98</p> <p>REV 10-20-04</p> <p>REV 10-20-04</p> <p>REV 10-20-04</p> <p>REV 10-20-04</p>	<p>UNLESS OTHERWISE NOTED ALL DIMENSIONS ARE IN INCHES. FRACTIONS ARE TO BE USED IN PLACE OF DECIMALS. DIMENSIONS TO BE USED FOR FABRICATION ARE 1/16" INCREMENTS UNLESS OTHERWISE NOTED.</p> <p>PROJ. 2810</p> <p>REV 2-21-98</p> <p>REV 10-20-04</p> <p>REV 10-20-04</p> <p>REV 10-20-04</p> <p>REV 10-20-04</p>	<p>NEXT ASSY.</p> <p>TITLE DRUM DRIVE ASSEMBLY</p> <p>DRG No./PART No. 60230737.sh2</p> <p>DWG SIZE D</p>
---	---	--	--	--	---

BILL OF MATERIAL			
ITEM NO.	PART NO.	QTY/U/M	DESCRIPTION
1	60242065	2	EA DTL. BOOM STOP

DWG No. 60243255	
ITEM NO.	DESCRIPTION
1	EA DTL. BOOM STOP



40" DIA



GROUND LINE

L3

REV	ECN	BY	DATE	REV	ECN	BY	DATE
(E)							
(D)							
(C)							
(B)							
(A)							

Copyright 1994

Drawn on CAD

EIMCO LLC
P.O. BOX 1100
BLUEFIELD WV 24701-1100
304-327-0260

UNLESS OTHERWISE NOTED ALL DIMENSIONS ARE IN INCHES. DIMENSIONS ARE TO BE TAKEN FROM THE SURFACE UNLESS OTHERWISE SPECIFIED. TOLERANCES ARE AS SHOWN. UNLESS OTHERWISE SPECIFIED, ALL DIMENSIONS ARE TO BE TAKEN FROM THE SURFACE UNLESS OTHERWISE SPECIFIED. TOLERANCES ARE AS SHOWN. UNLESS OTHERWISE SPECIFIED, ALL DIMENSIONS ARE TO BE TAKEN FROM THE SURFACE UNLESS OTHERWISE SPECIFIED. TOLERANCES ARE AS SHOWN.

ASSEMBLY S/N

TITLE

INSTALLATION DWG. BOOM STOP

40" DIA. DRUMS

DWG No./PART No.

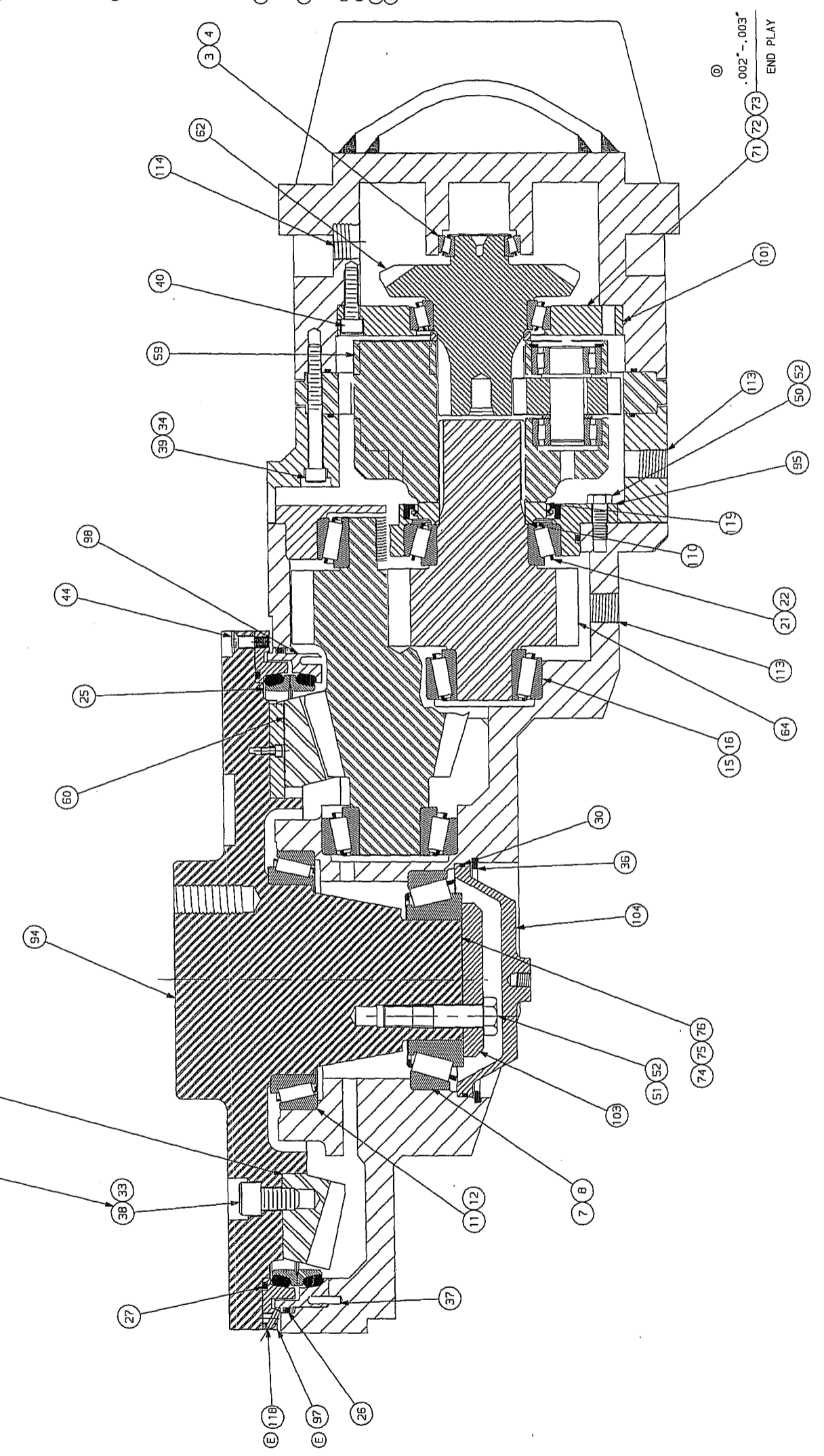
60243255

DWG SIZE

D

BILL OF MATERIAL			
ITEM No.	PART NO.	QTY/U/M	DESCRIPTION
81	84227259	3 ea	SHIM .007
82	84227260	3 ea	SHIM .005
83	84227261	3 ea	SHIM .020
84	84227262	3 ea	SHIM .007
85	84227263	3 ea	SHIM .005
86	84227264	3 ea	SHIM .020
87	84227265	3 ea	SHIM .007
88	84227266	3 ea	SHIM .005
89	84227267	3 ea	SHIM .020
90	84227268	3 ea	SHIM .007
91	84227269	3 ea	SHIM .020
92	82123723	3 ea	SHAFT
93	43226911	1 ea	INT. SPUR GEAR
94	60233121	1 ea	TURN TABLE
95	60232923	1 ea	CARRIER
96	60233186	1 ea	CARRIER
97	60232928	1 ea	CARRIER
98	60232942	1 ea	CARRIER
99	60232924	1 ea	CARRIER
100	60233128	1 ea	CARRIER
101	60233123	1 ea	CARRIER
102	60233129	1 ea	CARRIER
103	60232922	1 ea	CAP
104	60232926	1 ea	CAP
105	37419322	6 ea	HHCS 1/2-13X 1 1/2 GR8
106	37507670	6 ea	SHCS 3/8-18X 1
107	37514411	17 ea	SHCS 5/8-11X 2 1/4
108	37707916	6 ea	LOCK WASHER
109	37710613	17 ea	LOCK WASHER
110	71207310	1 ea	O-RING 1/8X3
111	60232507	1 ea	O-RING 1/8X 9 3/4
112	71212856	1 ea	O-RING 1/8X 9 3/4
113	74321795	6 ea	3/4" PLUG
114	74321910	2 ea	1" PLUG
115	11400710	6 ea	STR. ROLLER BEARING
116	71903836	1 ea	SEAL OIL
117			
118	82909896	2 ea	PIN DOWEL, 3/16 x 3/4
119	60247962	1 ea	DTL, SPACER

(H) TORQUE BOLTS TO 325-350 FT LBS
USING 271 LOCTITE



REV	ECN	BY	DATE	REV	ECN	BY	DATE	REV	ECN	BY	DATE
1	P755	BM	8-92	1	X286	JRF	12-2-96	1	S		
2	M654	JR	8-94	2	W417	EO	3-1-98	2	K		
3	L635	LH	10-2-94	3	W267	JR	7-2-98	3	P		
4	L433	JRH	8-98	4	VB84	EO	2-99	4	P		
5	J621	CEC	10-98	5	VB21	SP	1-99	5	P		
6				6	X350	RES	10-99	6	P		

Copyright 1989

Drawn on CAD

EIMCO LLC
P.O. BOX 1100
BLUEFIELD WV 24701-1100
304-327-0260

A EIMCO COMPANY

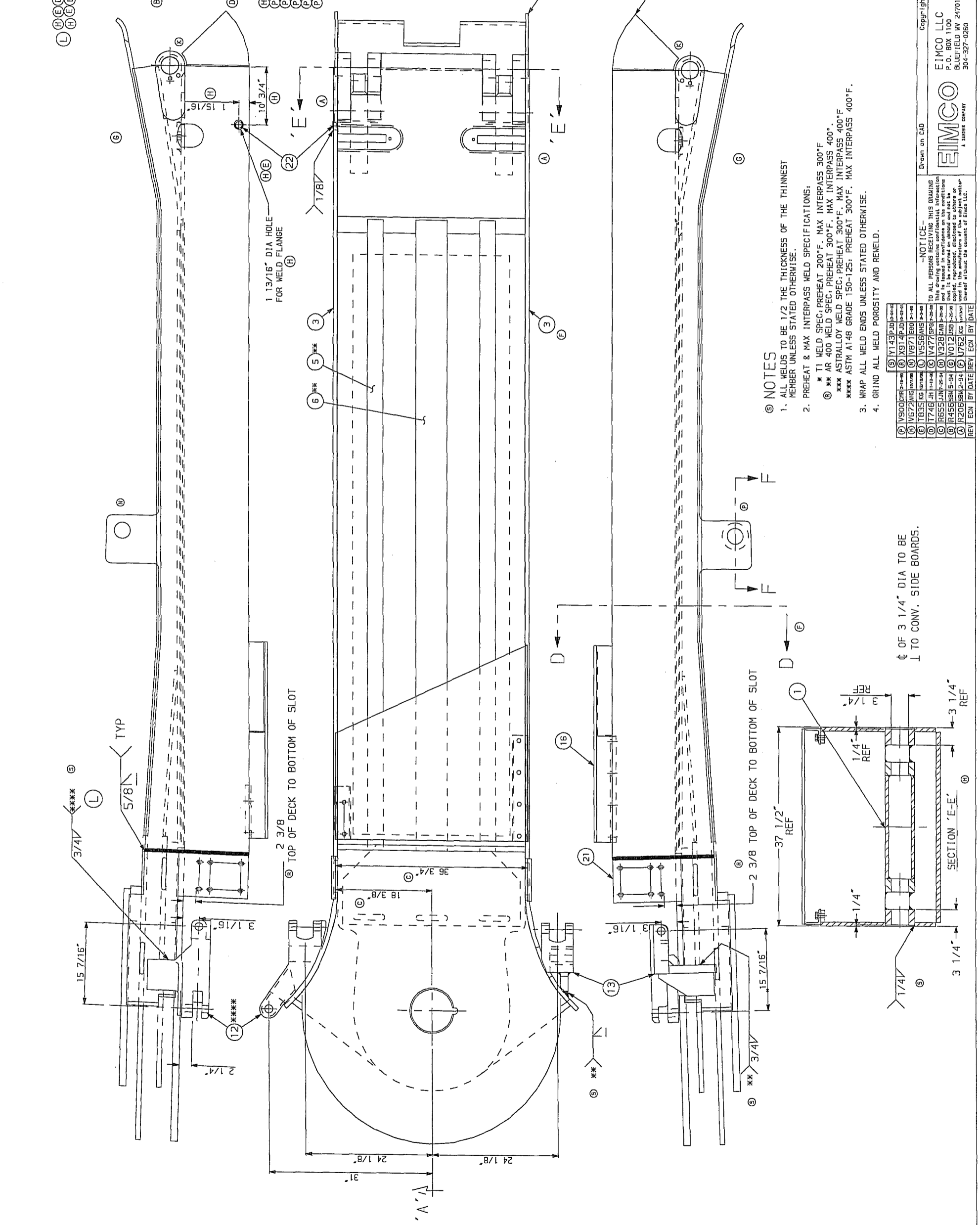
EIMCO

Next Assy: 60232538
Title: GATHERING HEAD
Gear Case
ASSEMBLY R.H.
DWG No./PART No.: 60232481.sh2

Scale: 1:1
Date: 10/2/99
By: JMC
Checked: JMC
Scale: 1:1
Date: 10/2/99
By: JMC
Checked: JMC

BILL OF MATERIAL

ITEM NO.	PART NO.	QTY/U/M	DESCRIPTION	DM	517
1	60241172	1 ea	WELD, FRONT PIVOT	X	D
2	60242453	1 ea	WELD, CENTER PIVOT	X	D
3	60242693	1 ea	DTL, RH SIDE BOARD	X	D
4	60242694	1 ea	DTL, LH SIDE BOARD	X	D
5	60241164	2 ea	DTL, WEAR STRIP	B	B
6	60241165	1 ea	DTL, WEAR STRIP	B	B
7	60241166	1 ea	DTL, TOP DECK PLATE	B	B
8	60241167	1 ea	DTL, SOUND DEADENING	B	B
9	60241168	1 ea	DTL, TOP PLATE	B	B
10	60241169	1 ea	DTL, GUSSET	B	B
11	60242536	1 ea	DTL, RETURN PAN	B	B
12	60242384	1 ea	MACH., LIFT/SNG BRKT	X	B
13	60240614	1 ea	W'MNT, LIFT BRKT	X	B
14	60231383	1 ea	DTL, TUNNEL MOUNT	B	B
15	60240993	1 ea	DTL, TUNNEL MOUNT	B	B
16	60240720	1 ea	WELD, CONV TUNNEL	X	C
17	37430220	6 ea	HHCS, 3/4-10x1 1/4"		
18	37708518	6 ea	LOCK WASHER, 3/4"		
20	60241453	2 ea	DTL, PIVOT EAR	B	B
21	60241449	2 ea	SPRINGBOARD MOUNT	B	B
22	50130843	1 ea	FLANGE, WELD 1 NPT		
23	37543717	4 ea	FHSOS 1/2-13 x 1" LG		
24	60247912	2 ea	PUCK RETAINER		
25	60247842	2 ea	SHIM PACK		
26	60247913	2 ea	DTL, PUCK ADAPTER		
27	60247911	2 ea	DTL, PUCK		



- NOTES**
- ALL WELDS TO BE 1/2 THE THICKNESS OF THE THINNEST MEMBER UNLESS STATED OTHERWISE.
 - PREHEAT & MAX INTERPASS WELD SPECIFICATIONS:
 - * T1 WELD SPEC: PREHEAT 200°F. MAX INTERPASS 300°F
 - ** AR 400 WELD SPEC: PREHEAT 300°F. MAX INTERPASS 400°F
 - *** ALUMINUM WELD SPEC: PREHEAT 300°F. MAX INTERPASS 400°F
 - **** ASTM A148 GRADE 150-125; PREHEAT 300°F. MAX INTERPASS 400°F.
 - WRAP ALL WELD ENDS UNLESS STATED OTHERWISE.
 - GRIND ALL WELD POROSITY AND REWELD.

REV	ECN	BY	DATE	REV	ECN	BY	DATE
1	1	WJW	11/14/19	1	1	WJW	11/14/19
2	1	WJW	11/14/19	2	1	WJW	11/14/19
3	1	WJW	11/14/19	3	1	WJW	11/14/19
4	1	WJW	11/14/19	4	1	WJW	11/14/19
5	1	WJW	11/14/19	5	1	WJW	11/14/19
6	1	WJW	11/14/19	6	1	WJW	11/14/19
7	1	WJW	11/14/19	7	1	WJW	11/14/19
8	1	WJW	11/14/19	8	1	WJW	11/14/19
9	1	WJW	11/14/19	9	1	WJW	11/14/19
10	1	WJW	11/14/19	10	1	WJW	11/14/19
11	1	WJW	11/14/19	11	1	WJW	11/14/19
12	1	WJW	11/14/19	12	1	WJW	11/14/19
13	1	WJW	11/14/19	13	1	WJW	11/14/19
14	1	WJW	11/14/19	14	1	WJW	11/14/19
15	1	WJW	11/14/19	15	1	WJW	11/14/19
16	1	WJW	11/14/19	16	1	WJW	11/14/19
17	1	WJW	11/14/19	17	1	WJW	11/14/19
18	1	WJW	11/14/19	18	1	WJW	11/14/19
19	1	WJW	11/14/19	19	1	WJW	11/14/19
20	1	WJW	11/14/19	20	1	WJW	11/14/19
21	1	WJW	11/14/19	21	1	WJW	11/14/19
22	1	WJW	11/14/19	22	1	WJW	11/14/19
23	1	WJW	11/14/19	23	1	WJW	11/14/19
24	1	WJW	11/14/19	24	1	WJW	11/14/19
25	1	WJW	11/14/19	25	1	WJW	11/14/19
26	1	WJW	11/14/19	26	1	WJW	11/14/19
27	1	WJW	11/14/19	27	1	WJW	11/14/19

Copyright 1991
 EIMCO
 A SABBIT COMPANY
 P. O. BOX 1100
 BLUEFIELD, WV 24701-1100
 304-327-0260

TO ALL PERSONS RECEIVING THIS DRAWING
 THIS DRAWING IS THE PROPERTY OF EIMCO
 AND IS NOT TO BE REPRODUCED OR
 COPIED IN ANY MANNER WITHOUT THE
 WRITTEN PERMISSION OF EIMCO
 ANY UNAUTHORIZED REPRODUCTION
 WILL BE PROSECUTED TO THE FULL
 EXTENT OF THE LAW

REV	ECN	BY	DATE	REV	ECN	BY	DATE
1	1	WJW	11/14/19	1	1	WJW	11/14/19
2	1	WJW	11/14/19	2	1	WJW	11/14/19
3	1	WJW	11/14/19	3	1	WJW	11/14/19
4	1	WJW	11/14/19	4	1	WJW	11/14/19
5	1	WJW	11/14/19	5	1	WJW	11/14/19
6	1	WJW	11/14/19	6	1	WJW	11/14/19
7	1	WJW	11/14/19	7	1	WJW	11/14/19
8	1	WJW	11/14/19	8	1	WJW	11/14/19
9	1	WJW	11/14/19	9	1	WJW	11/14/19
10	1	WJW	11/14/19	10	1	WJW	11/14/19
11	1	WJW	11/14/19	11	1	WJW	11/14/19
12	1	WJW	11/14/19	12	1	WJW	11/14/19
13	1	WJW	11/14/19	13	1	WJW	11/14/19
14	1	WJW	11/14/19	14	1	WJW	11/14/19
15	1	WJW	11/14/19	15	1	WJW	11/14/19
16	1	WJW	11/14/19	16	1	WJW	11/14/19
17	1	WJW	11/14/19	17	1	WJW	11/14/19
18	1	WJW	11/14/19	18	1	WJW	11/14/19
19	1	WJW	11/14/19	19	1	WJW	11/14/19
20	1	WJW	11/14/19	20	1	WJW	11/14/19
21	1	WJW	11/14/19	21	1	WJW	11/14/19
22	1	WJW	11/14/19	22	1	WJW	11/14/19
23	1	WJW	11/14/19	23	1	WJW	11/14/19
24	1	WJW	11/14/19	24	1	WJW	11/14/19
25	1	WJW	11/14/19	25	1	WJW	11/14/19
26	1	WJW	11/14/19	26	1	WJW	11/14/19
27	1	WJW	11/14/19	27	1	WJW	11/14/19

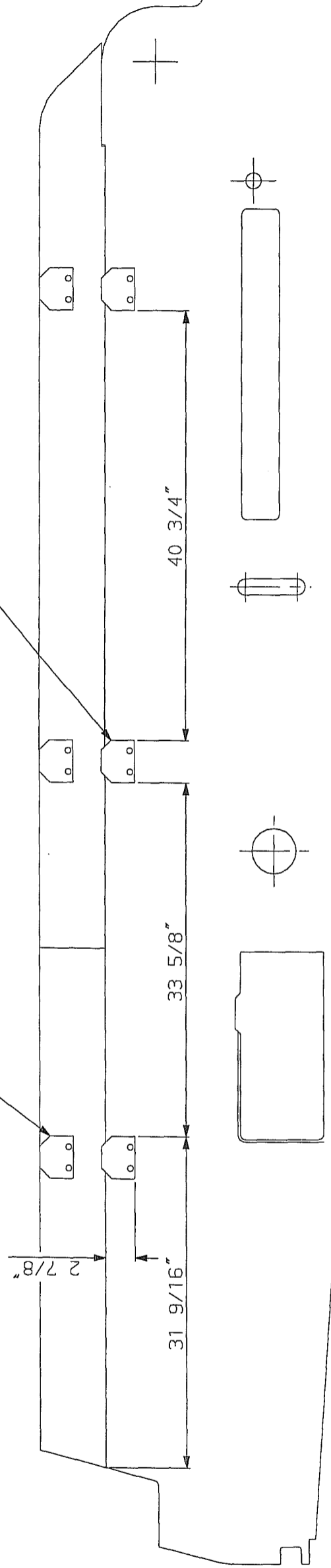
BILL OF MATERIAL

B/M No. 50134705.sh2

ITEM NO.	PART NO.	QTY/U/M	DESCRIPTION	BM	DWG SIZE
X	X	X	X	X	X

BOLT TO DEBRIS GUARD ON -2 MACHINES
TYP 3 PLACES BOTH SIDES

TACK WELD TO SIDE RAIL AT LOCATION SHOWN
ON -1 MACHINES TYP BOTH SIDES



REV	ECN	BY	DATE	REV	ECN	BY	DATE
(E)				(L)			
(D)				(K)			
(C)				(H)			
(B)				(G)			
(A)				(F)			

-NOTICE-
TO ALL PERSONS RECEIVING THIS DRAWING
This drawing contains confidential information
and is being issued in confidence on the conditions
that it be returned on demand and not be
copied, reproduced, disclosed to others or
used in the manufacture of the subject matter
thereof without the consent of Eimco LLC.

Drawn on CAD

EIMCO
A SANDVIK COMPANY

EIMCO LLC
P.O. BOX 1100
BLUEFIELD WV 24701-1100
304-327-0260

Copyright 2002

UNLESS OTHERWISE NOTED ALL
DIMENSIONS ARE IN INCHES
DECIMALS ± .005"
MACHINE TOLERANCE ANGLES ± .30° MINUTES
FABRICATION TOL ± 1/16"
MODEL DASH-TWO DATE 3-5-02
WEIGHT DRAWN CMR
SCALE 1/8 CHECKED SPG
DID NOT SCALE CHIEF ENGR SPG

NEXT ASSY.	S/N	REV

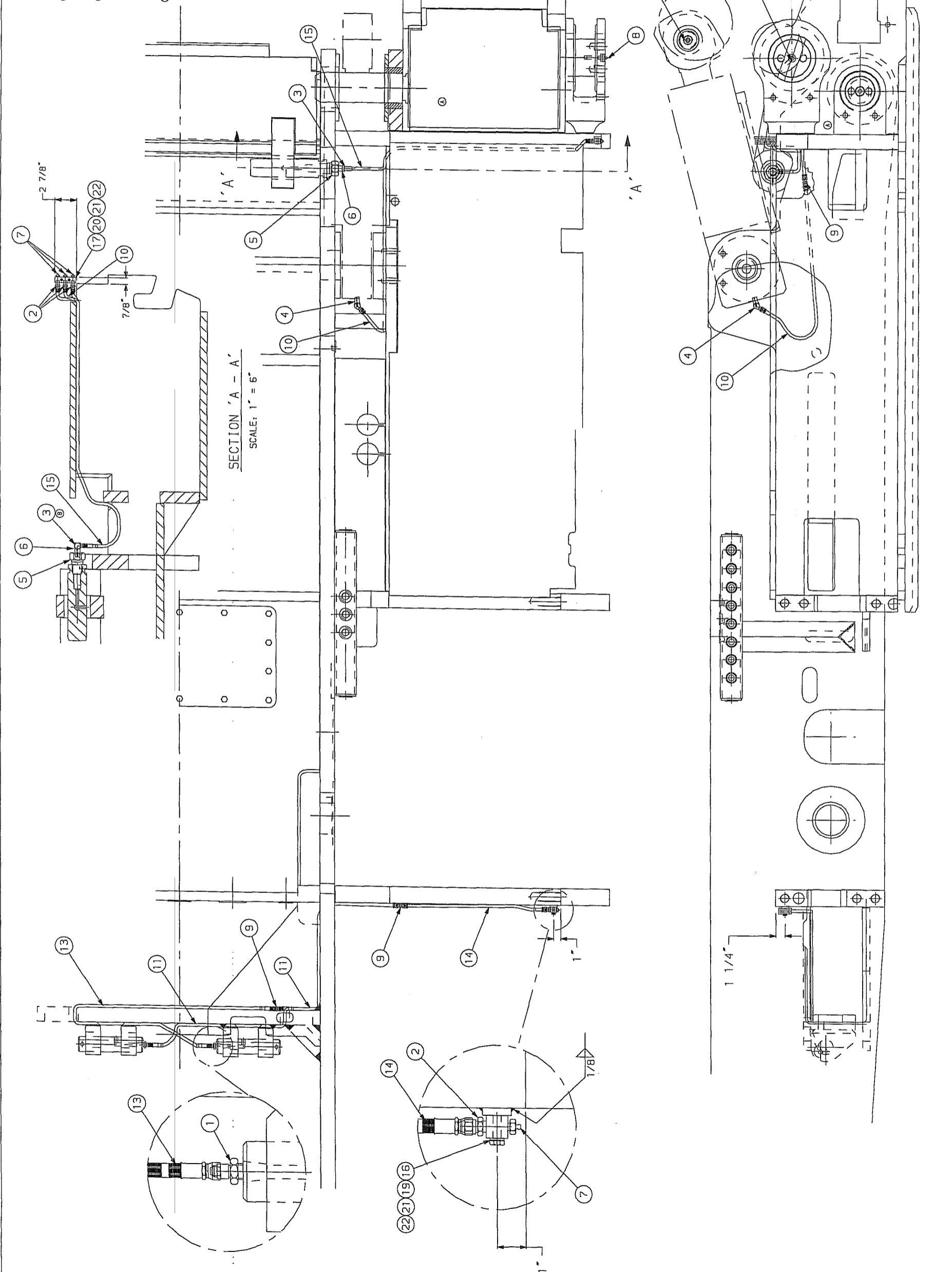
TITLE FIRE SPRAY WATER SPRAY MANIFOLD

DWG No./PART No. 50134705.sh2

DWG SIZE C

BILL OF MATERIAL

ITEM NO.	PART NO.	QTY	U/M	DESCRIPTION	DM	BM
1	50013614	2	ea	EXT PIPE / EXT JIC (STD)		
2	50013515	8	ea	EXT PIPE / EXT JIC (STD)		
3	50132676	1	ea	EL 90-1/4 HP - 1/4 FP SH		
4	50016517	2	ea	EXT PIPE / EXT JIC (45°)		
5	50026663	2	ea	BUSHING, 1M to 1/2F		
6	50026418	2	ea	BUSHING, 1/2M TO 1/4F		
7	50087410	8	ea	GREASE FITTING, 1/8		
8	50087717	2	ea	GREASE FITTING, 1/4		
9	50020510	4	ea	EXT JIC / EXT JIC (STD)		
10	22701132	4	ea	GRS. HOSE, 3/16x36, BOOM CYL		
11	22701115	4	ea	GRS. HOSE, 3/16x60, CONV PIV		
12	22701133	REF	ea	GRS. HOSE, 3/16x42, BOOM PIV		
13	22701114	1	ea	GRS. HOSE, 3/16x48 STAB PIV		
14	22701112	1	ea	GRS. HOSE, 3/16x20 STAB PIV		
15	22701135	2	ea	GRS. HOSE, 3/16x54 CONV PIV		
16	64087513	1	ea	LUBE HEADER, 2 PORT		
17	64087612	2	ea	LUBE HEADER, 3 PORT		
18	60242087	2	ea	GREASE PLUG, FLUSH X A		
19	60242369	1	ea	MNT PLATE, 2 PORT		
20	60242390	2	ea	MNT PLATE, 3 PORT		
21	37401221	5	ea	HKCS, 1/4 - 20 x1 L6		
22	37705413	5	ea	LOCK WASHER, 1/4		



SECTION 'A - A'
SCALE: 1" = 6"

BOOM PIVOT LUBE
OLD STYLE

Copyright 1994

Drawn on CAD

EIMCO
A SANYO COMPANY

EIMCO LLC
P. O. BOX 1100
BLUEFIELD WV 24701-1100
304-327-0260

TO ALL PERSONS RECEIVING THIS DRAWING -
This drawing contains confidential information
that it be returned on demand and not be
copied, reproduced, disclosed to others or
used in any way without the consent of Eimco LLC.

REV	ECN	BY	DATE	REV	ECN	BY	DATE
6							
5							
4							
3							
2							
1							

REVISIONS: ALL
NEXT
TITLE
LUBRICATION PACKAGE
HOSES AND FITTINGS JIC

DATE 4-11-94
DRAWN JR
CHECKED RJK
SCALE 1"=6"
JOB NO SCALE

DWG No. / PART No. **60243243**
DWG SITE **D**

CLICK HERE TO **DOWNLOAD** THE COMPLETE MANUAL

- Thank you very much for reading the preview of the manual.
- You can download the complete manual from: www.heydownloads.com by clicking the link below



- Please note: If there is no response to CLICKING the link, please download this PDF first and then click on it.

CLICK HERE TO **DOWNLOAD** THE COMPLETE MANUAL