



Parts Catalog

CLICK HERE TO **DOWNLOAD** THE COMPLETE MANUAL

- Thank you very much for reading the preview of the manual.
- You can download the complete manual from: www.heydownloads.com by clicking the link below



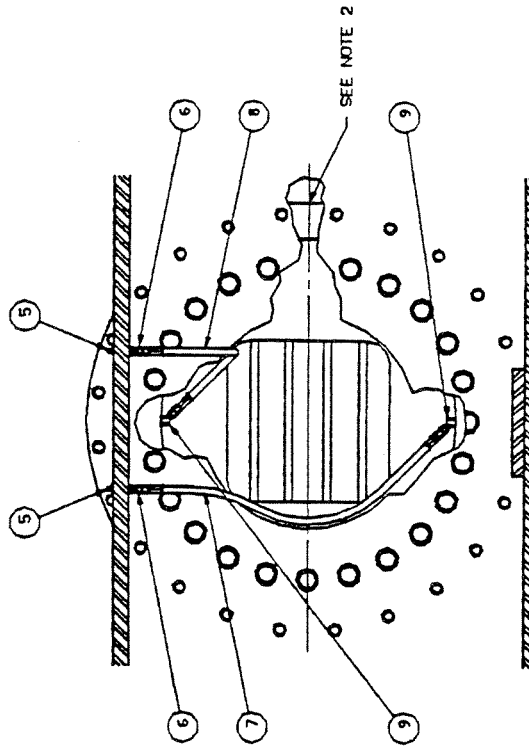
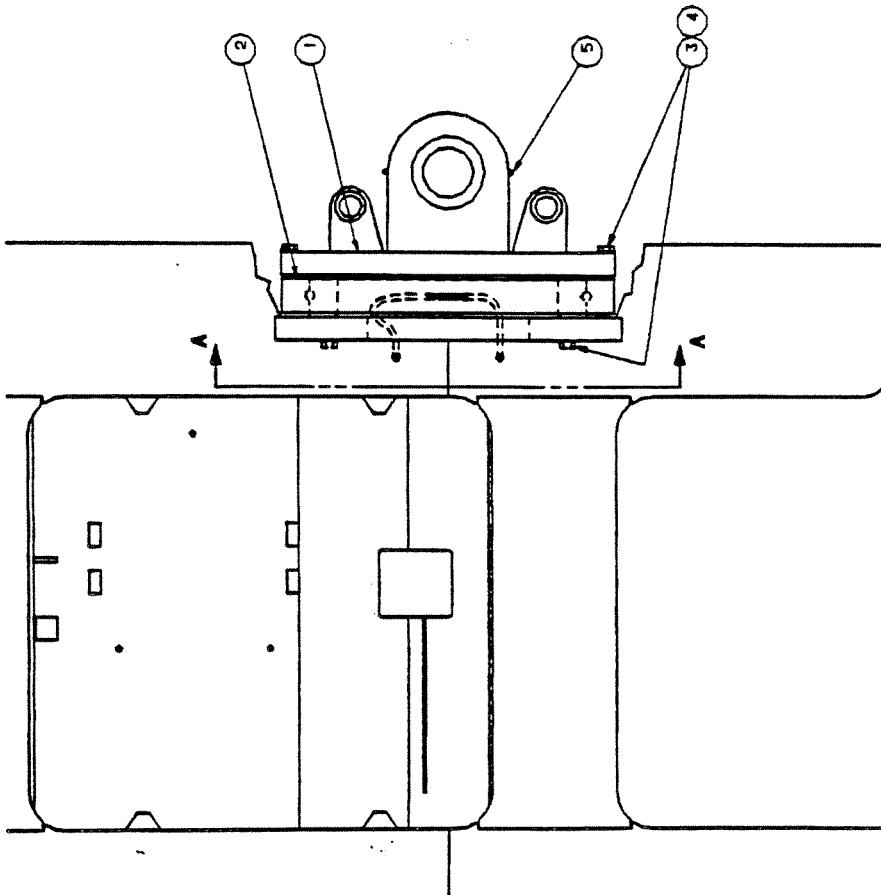
- Please note: If there is no response to CLICKING the link, please download this PDF first and then click on it.

CLICK HERE TO **DOWNLOAD** THE COMPLETE MANUAL

REFERENCE	QUANTITY	PART NUMBER	DESCRIPTION
1	REF	012044	PAIN, LUBE AND FINAL FINISH
2	REF	011255	FRONT FRAME ASSEMBLY
3	REF	010623	FRONT COVERS ASSEMBLY
4	REF	010611	PANIC BAR ASSEMBLY
5	REF	C2359X3	WARNING GONG ASSEMBLY
6	REF	010605	ACCELERATOR PEDAL ASSEMBLY
7	REF	A3588X6	SEAT ASSEMBLY
8	REF	848	OPERATOR'S COMPARTMENT
9	REF	017335	HYDRAULIC CONTROL PANEL ASSEMBLY
10	REF	012096	STEERING LOCKOUT ASSEMBLY
11	REF	011705	CENTER SECTION ASSEMBLY
12	REF	010638X5	CANOPY ASSEMBLY
13	REF	011140X1	REAR COVERS ASSEMBLY
14	REF	011169	HOSE CARRIER ASSEMBLY
15	REF	015719	REAR FRAME ASSEMBLY
16	REF	015712	FALSE BOTTOM ASSEMBLY

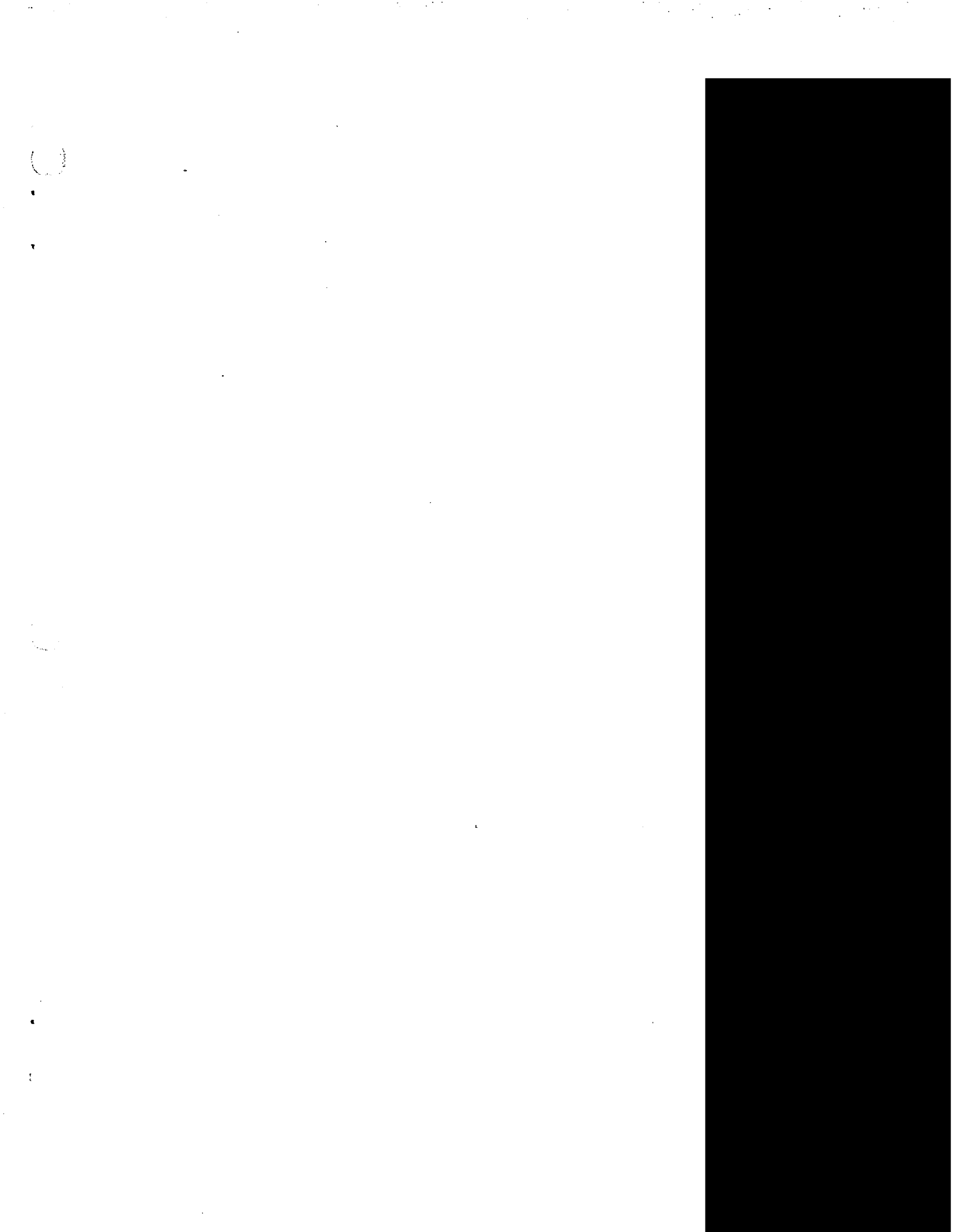
REV.1	SHEET 2 OF 2
FRAME LOCATOR	

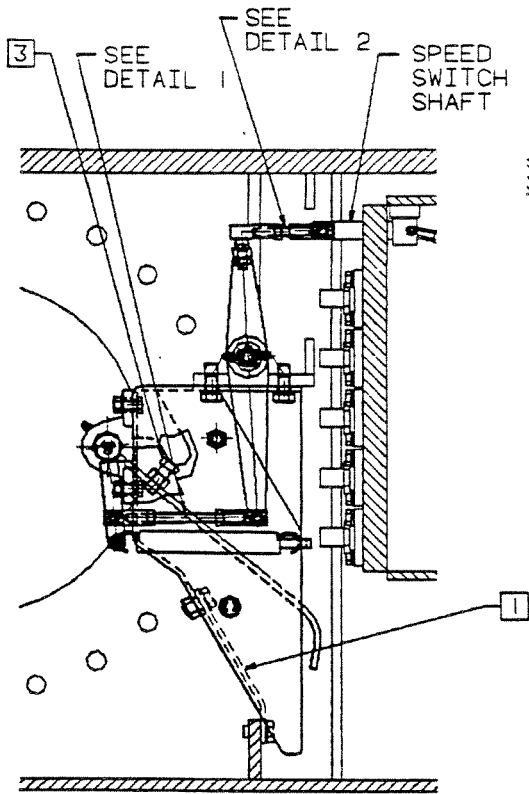
- NOTES:
1. MOUNTING BOLT TORQUE (REF #3):
350-400 LB. FT. COX OR
250 LB. FT. WITH ANTI-SIEZE LUBRICANT
 2. LOCATE SOFT AREA IN BEARING (STAMPED "S")
ON HORIZONTAL CENTERLINE



SECTION A-A

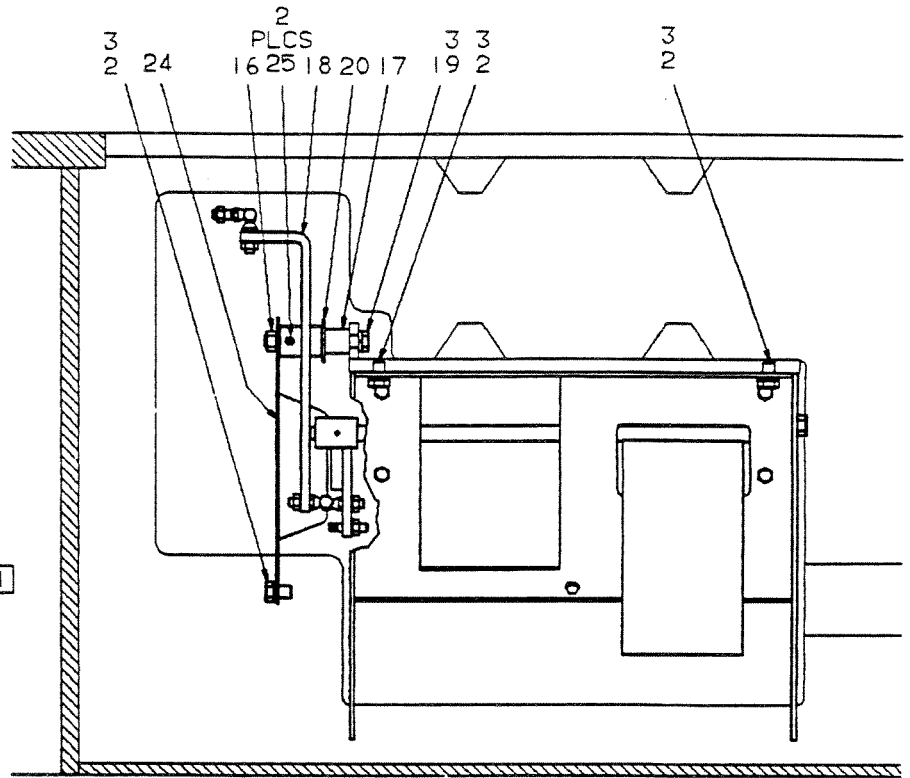
REV.1	SHEET 1 OF 2
011705 CENTER SECTION INSTALLATION	



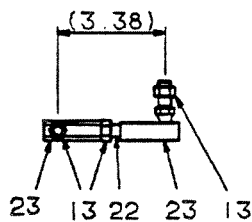


ACCELERATOR GUARD NOT SHOWN

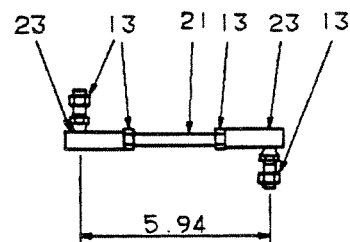
VIEW B-B



VIEW A-A



DETAIL 2



DETAIL 1

ADJUSTMENT PROCEDURE:

NOTE: THE CONTROL STATION SPEED SWITCH SHOULD PRODUCE AN AUDIBLE "CLICK" AT EACH END OF THE SPEED SWITCH SHAFT'S TRAVEL.

1. FOOTBOARD MUST BE INSTALLED (SEE 010623)
2. ADJUST UPPER LINKAGE (DETAIL 2) SO THAT LAST "CLICK" IS HEARD JUST PRIOR TO PEDAL STRIKING FOOTBOARD
3. ADJUST STOP BOLT (REF#15) SO THAT FIRST "CLICK" IS HEARD IMMEDIATELY UPON DEPRESSING PEDAL

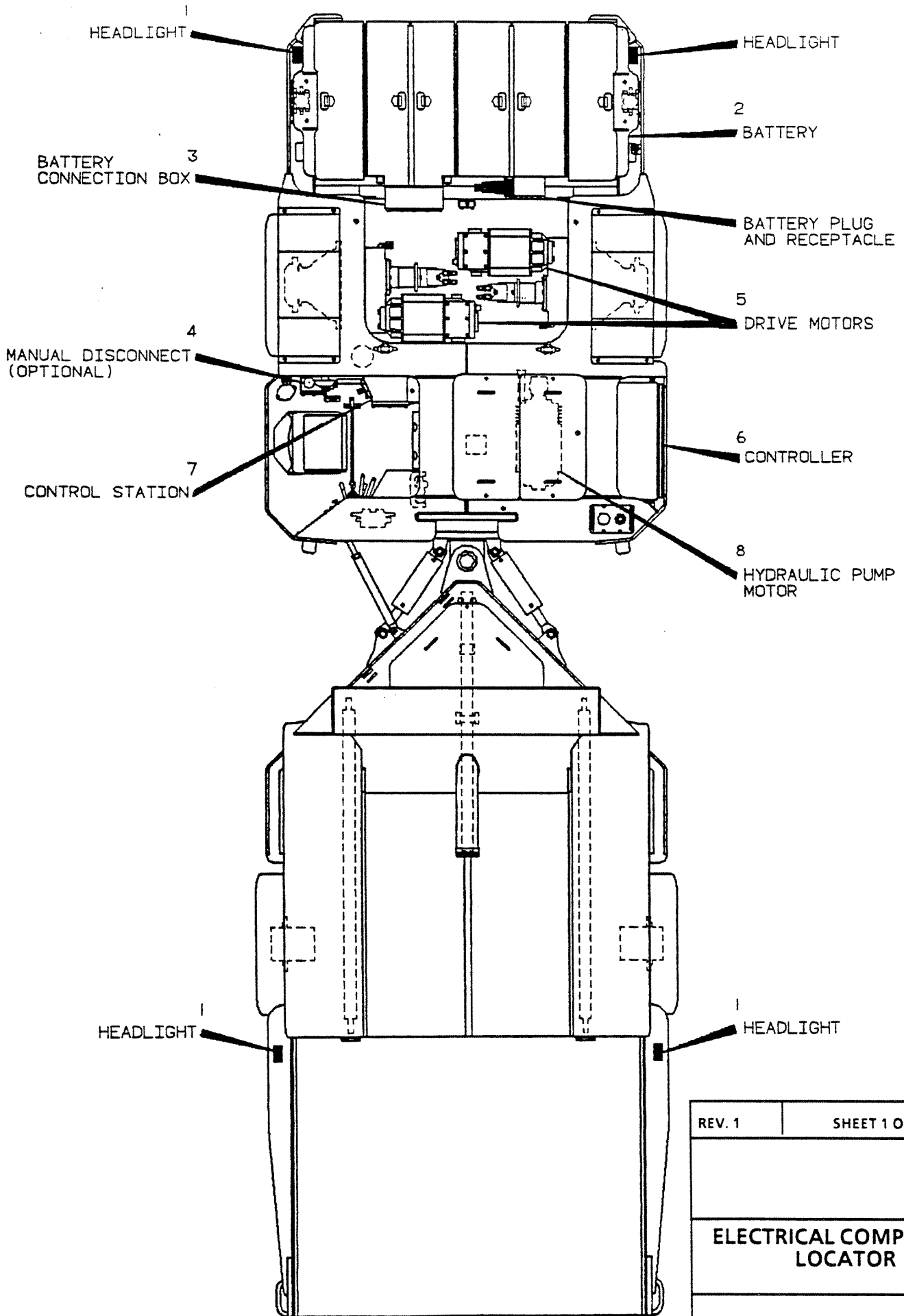
REV. 1	SHEET 2 OF 3
010605 ACCELERATOR PEDAL ASSEMBLY	

REFERENCE	QUANTITY	PART NUMBER	DESCRIPTION
1	1	A3330X2	TANK
2	4	A8000-061	3/8 NC X 1 BOLT GR5
3	4	A8006-605	3/8 LOCKWASHER
4	1	A3331-1	VALVE
5	4	H540X2	HEX NIPPLE 1/4
6	2	H654X4	PIPE TEE 1/4"
7	1	H746X2	90 ADAPTER 1/4
8	2	27302	CHECK VALVE
9	2	H744X2	STR ADAPTER 1/4
10	1	H746X5	90 ADAPTER 3/4
11	2	A13290-3	ACTUATOR CARTIDGE
12	2	A13290-4	ACTUATOR
13	2	H746X2	90 ADAPTER 1/4
14	4	A3331-2	NOZZLE
15	8	A3331-9	NOZZLE LOCKWASHER
16	4	H1022X10	FEMALE ADAPTER 3/4-1/2
17	4	H1044X9	REDUCER
18	2	H1008X8	SWIVEL NUT TEE
19	1	H1042X8	BULKHEAD BRANCH TEE

REV. 1

SHEET 2 OF 2

010630
FRONT FIRE SUPPRESSION



REV. 1	SHEET 1 OF 2
ELECTRICAL COMPONENT LOCATOR	

CLICK HERE TO **DOWNLOAD** THE COMPLETE MANUAL

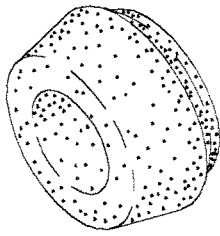
- Thank you very much for reading the preview of the manual.
- You can download the complete manual from: www.heydownloads.com by clicking the link below



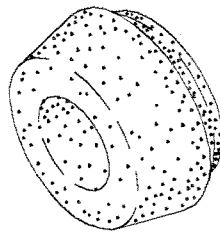
- Please note: If there is no response to CLICKING the link, please download this PDF first and then click on it.

CLICK HERE TO **DOWNLOAD** THE COMPLETE MANUAL

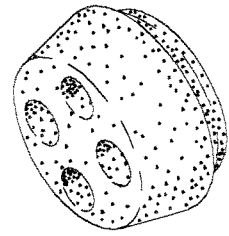
FOR A14161 5-POLE BRASS PLUG OR RECEPTACLE



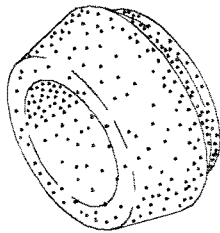
A14771X1
GROMMET I.D.:
(1.47)



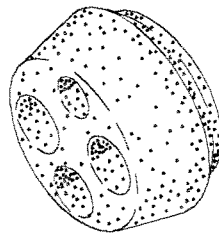
A14771X2
GROMMET I.D.:
(1.35)



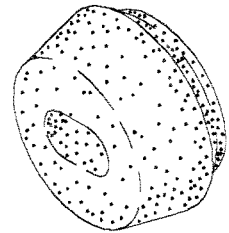
A14771X3
GROMMET I.D.:
(0.65), (0.65), (0.53), (0.597)



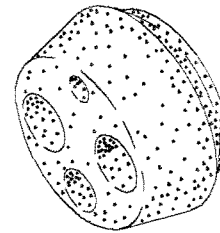
A14771X4
GROMMET I.D.:
(1.78)



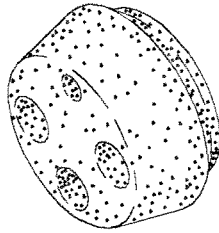
A14771X5
GROMMET I.D.:
(0.82), (0.82), (0.74), (0.597)



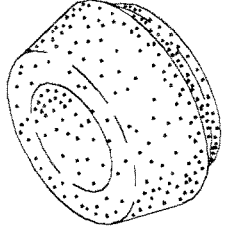
A14771X10
GROMMET I.D.:
(1.25 X .75)



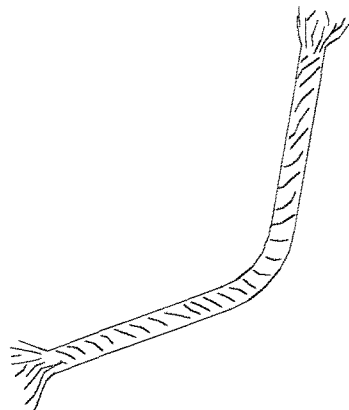
A14771X14
GROMMET I.D.:
(0.80), (0.80), (0.62), (0.37)



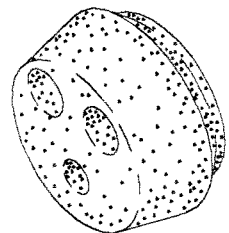
A14771X16
GROMMET I.D.:
(0.65), (0.65), (0.62), (0.37)



A14771X17
GROMMET I.D.:
(1.56)



ROPE PACKING



A14771X8
GROMMET I.D.:
(0.66), (0.66), (0.495)

NOTE:
USE 9-690004-500 ROPE PACKING KIT
IN 9-690004-000 AND A14162X11A PLUG
ADAPTOR APPLICATIONS.

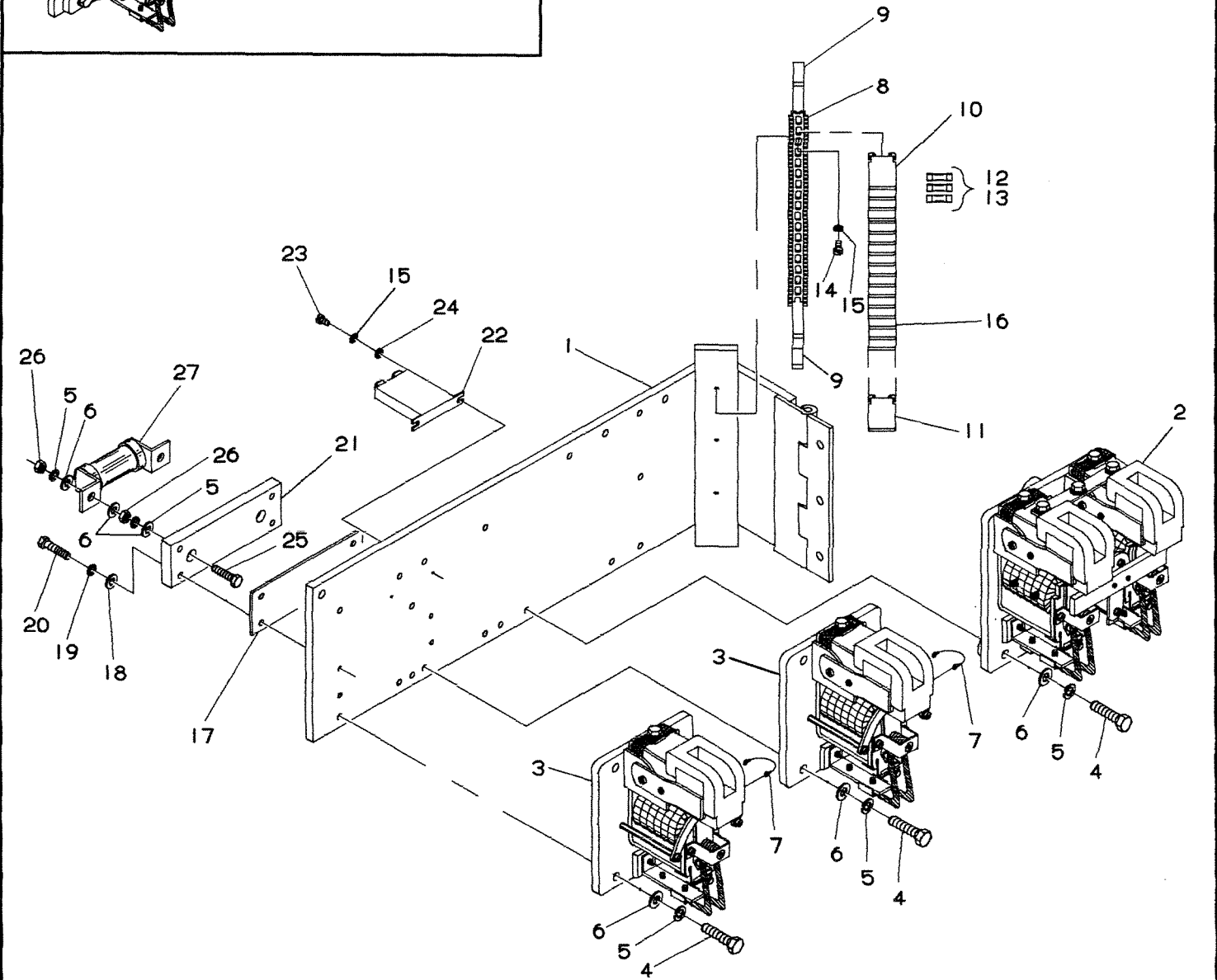
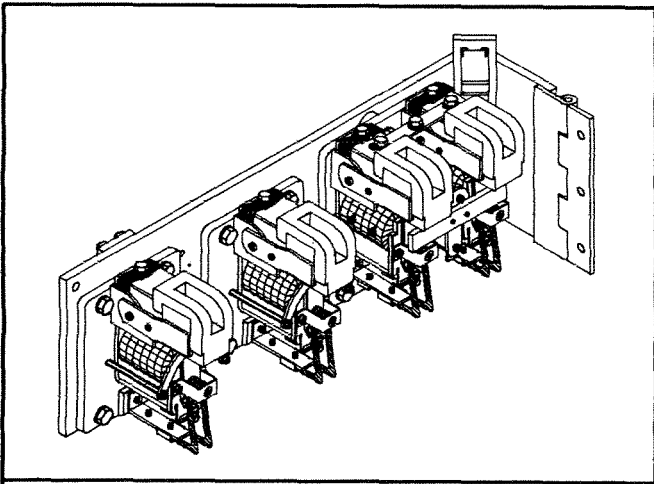
REV _____ SHT 1 OF 1

 **LONG-AIRDOX**

PACKING GLAND GROMMETS

2/93

A14771



REV 1/93 71602 SHT 1 OF 1

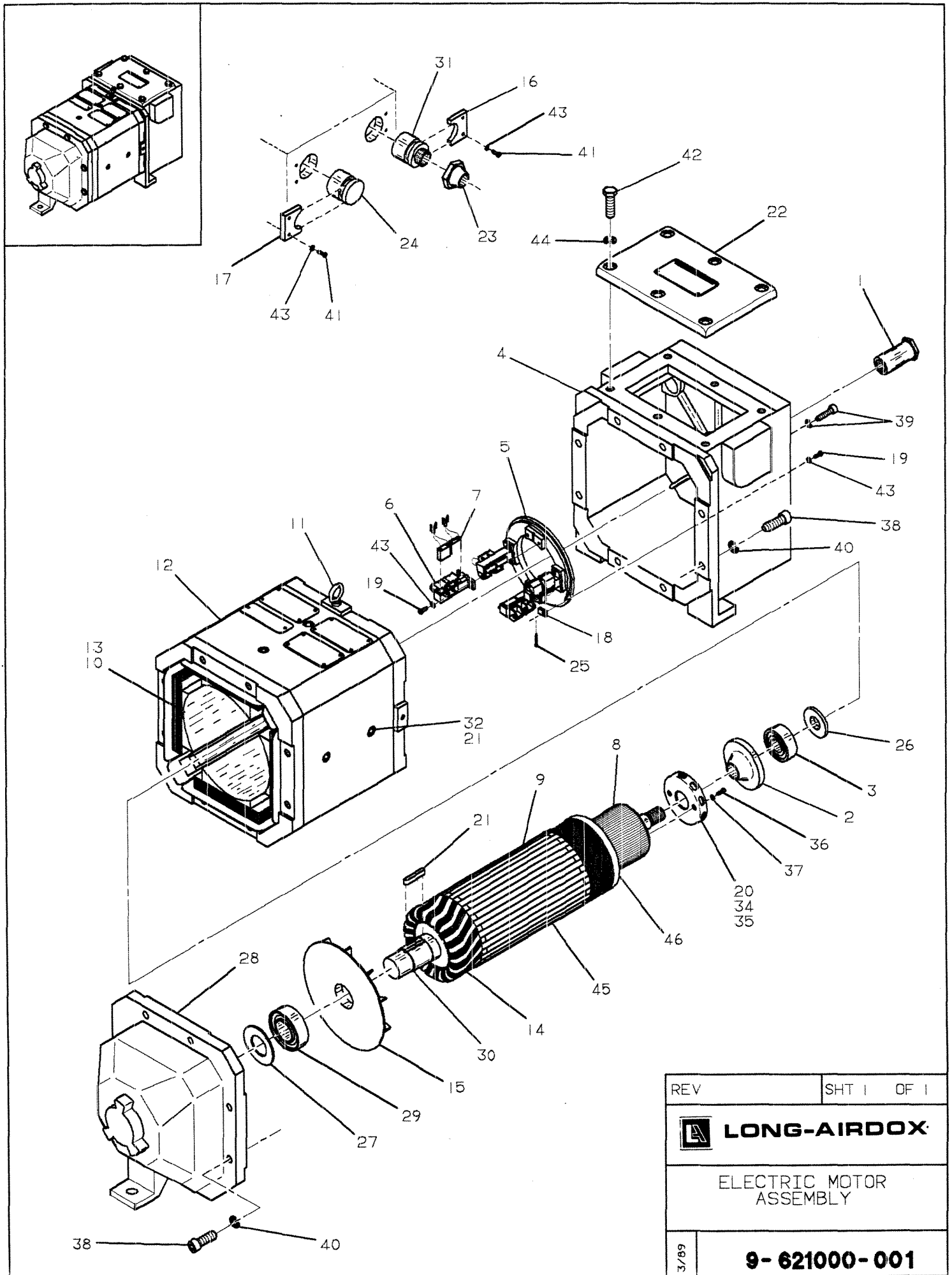


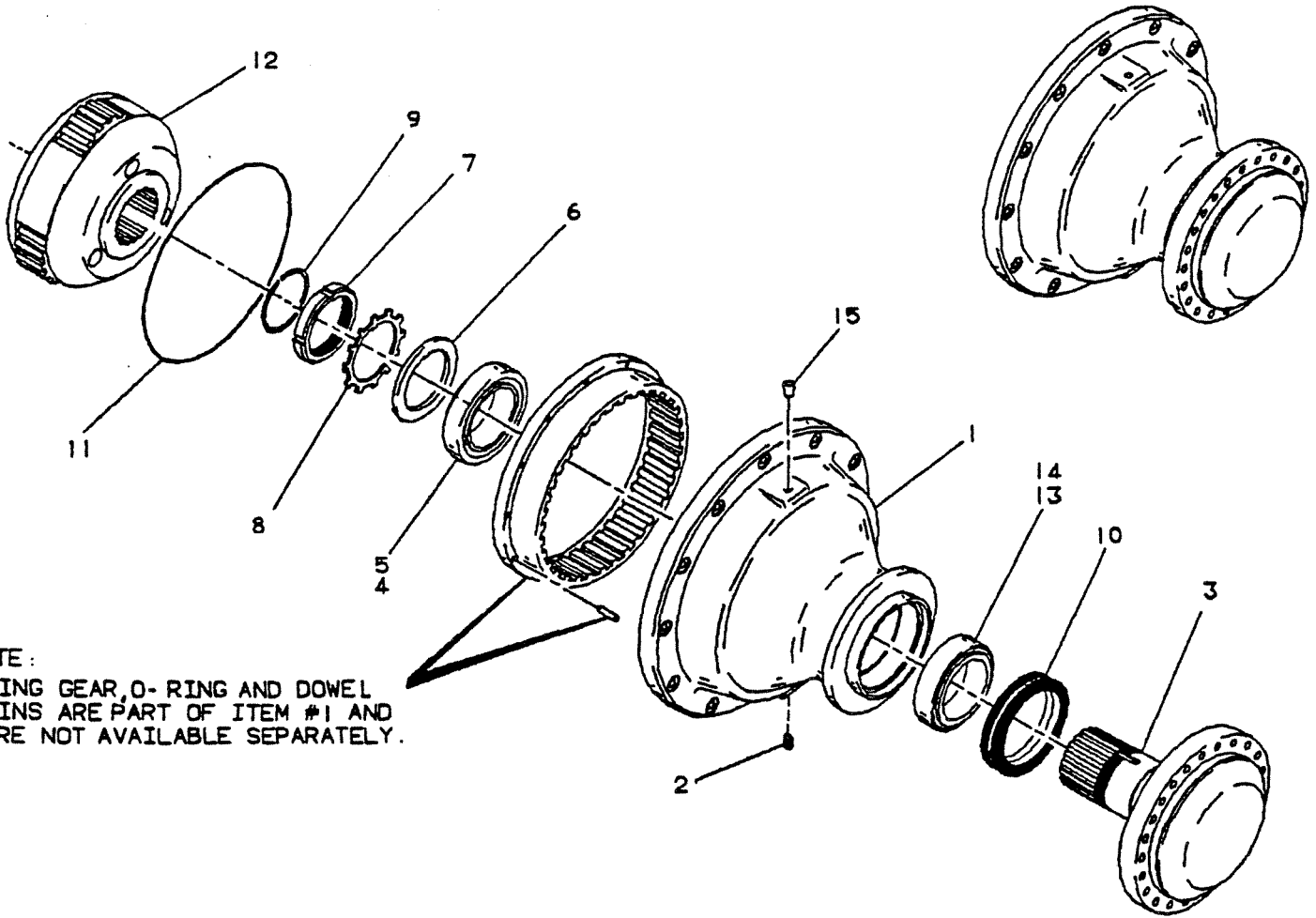
LONG-AIRDOX

PANEL BOARD
ASSEMBLY

9/94

012463

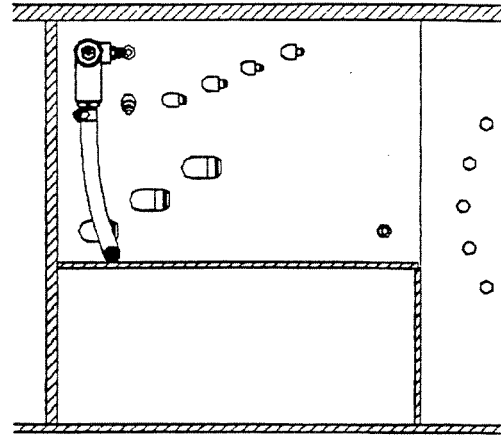
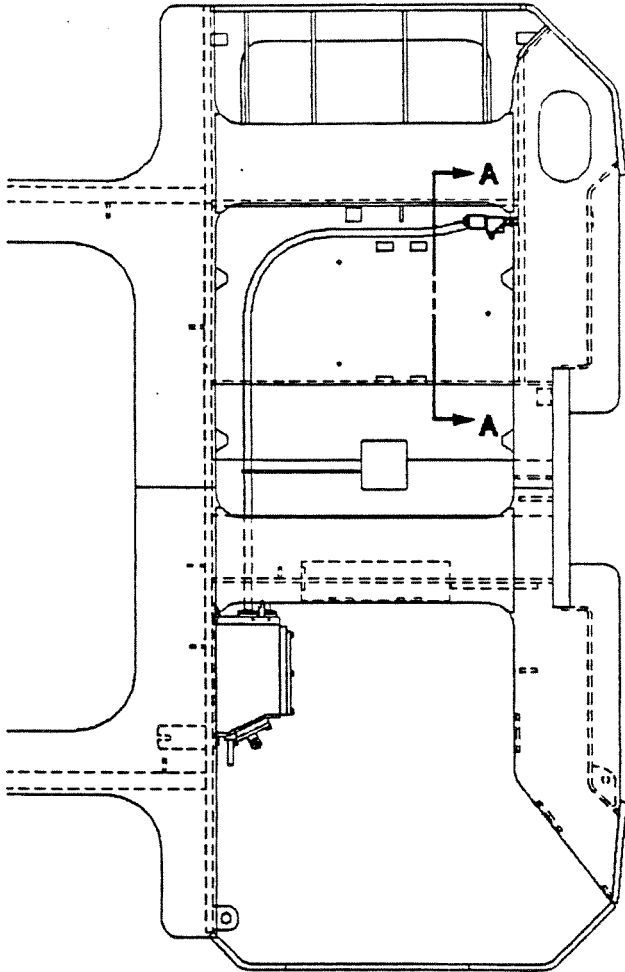




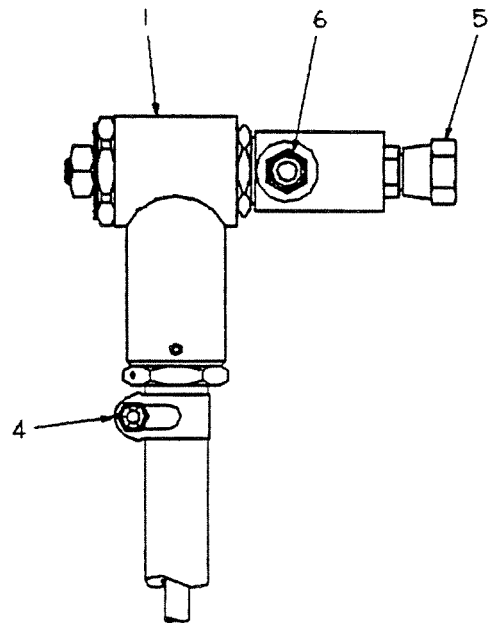
NOTE:
RING GEAR, O-RING AND DOWEL PINS ARE PART OF ITEM #1 AND ARE NOT AVAILABLE SEPARATELY.

REFERENCE	QUANTITY	PART NUMBER	DESCRIPTION
1	1	010678-2	HUB ASSEMBLY
2	1	010678-6	MAGNETIC PLUG
3	1	010678-7	WHEEL SPINDLE
4	1	9-003205-000	BEARING CONE
5	1	9-003205-500	BEARING CUP
6	1	010678-8	TONGUED WASHER
7	1	010678-9	LOCKNUT
8	1	010678-10	LOCKWASHER
9	1	010678-11	RETAINER RING
10	1	A4159-165	SEAL
11	1	010678-12	O-RING
12	1	010678X1	PLANET CARRIER ASSEMBLY
13	1	A4158-101	BEARING CUP
14	1	A4157-128	BEARING CUP
15	1	010678-14	DRIVE PLUG

REV.1	SHEET 1 OF 1
012348X1 WHEEL END ASSEMBLY	

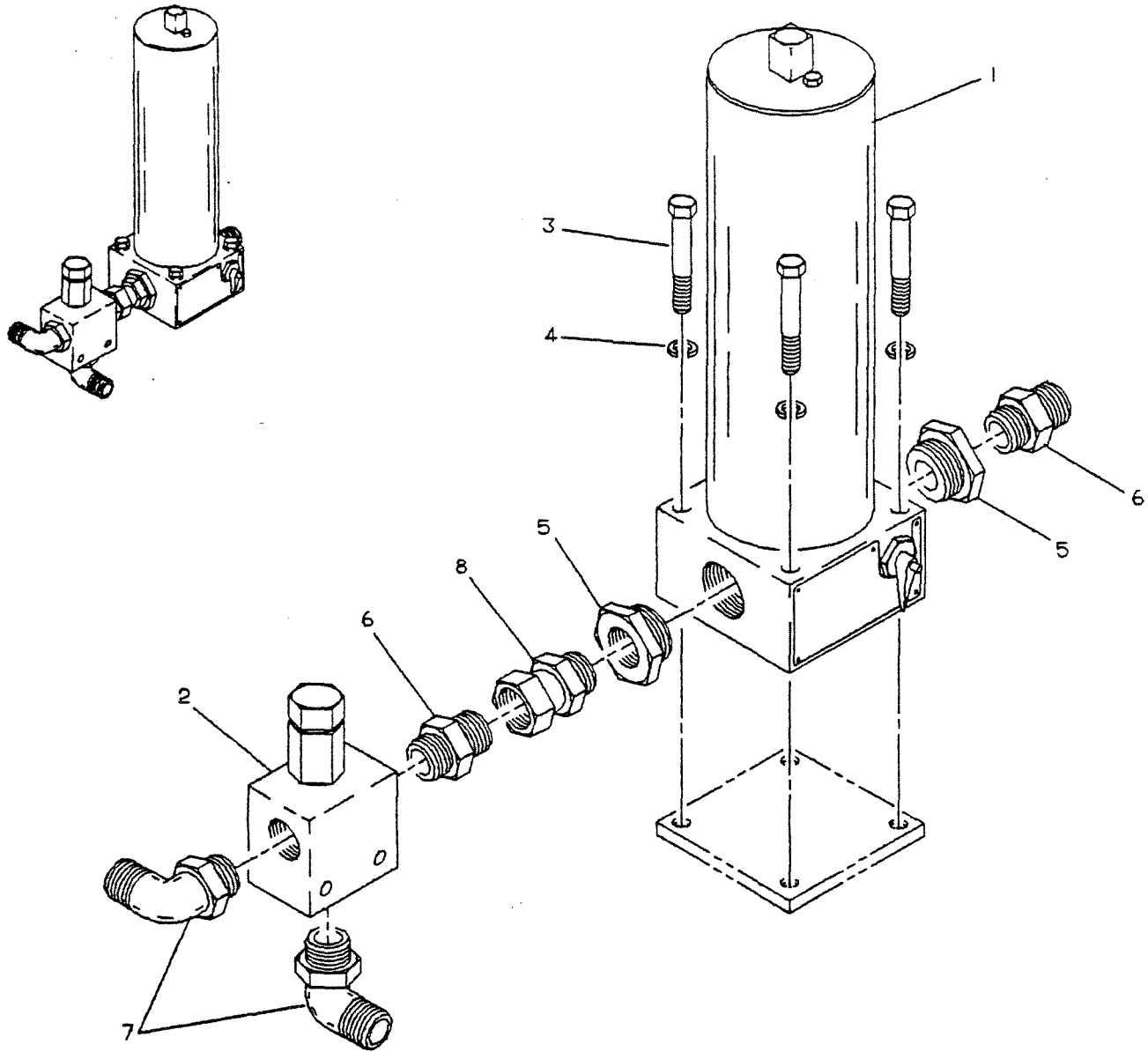


VIEW A-A



REFERENCE	QUANTITY	PART NUMBER	DESCRIPTION
1	1	011420X2	SOLENOID VALVE KIT
2	5	A3156X38	16-2C SJO PORT. CORD
3	4	A3163X7	1/2" CONDUIT HOSE
4	2	A3190	HOSE CLAMP, #10
5	1	H1144X1	FLARE SWIVEL 37
6	1	H855X5	FITTING

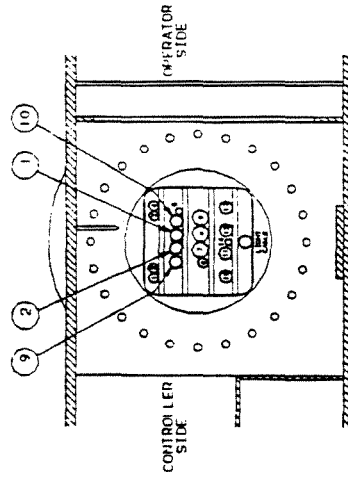
REV. 1	SHEET 1 OF 1
<p>010728 ACCUMULATOR CHARGING VALVE INSTALLATION</p>	



REFERENCE	QUANTITY	PART NUMBER	DESCRIPTION
1	1	H733X4	FLANGE, 1/2
2	1	H1136	RELIEF VALVE
3	4	9-801008-056	FSR CAP SCREW
4	4	9-197000-050	LOCKWASHER
5	1	H1135X26	O-RING ST TH REDUCER
6	1	H855X20	STRAIGHT THD. ADAPTER
7	3	H856X19	STRAIGHT THD. 90 ELBOW
8	1	H1144X5	STRAIGHT THD ADAPTER

REV. 1	SHEET 1 OF 1
010726 FILTER/RELIEF VALVE INSTALLATION	

REFERENCE INSTALLATIONS
 CONTROL VALVE
 P.T.O COUPLERS
 SOURCE VALVE
 SOURCE VALVE
 FALSE BOTTOM CYLINDER
 FALSE BOTTOM ASSEMBLY

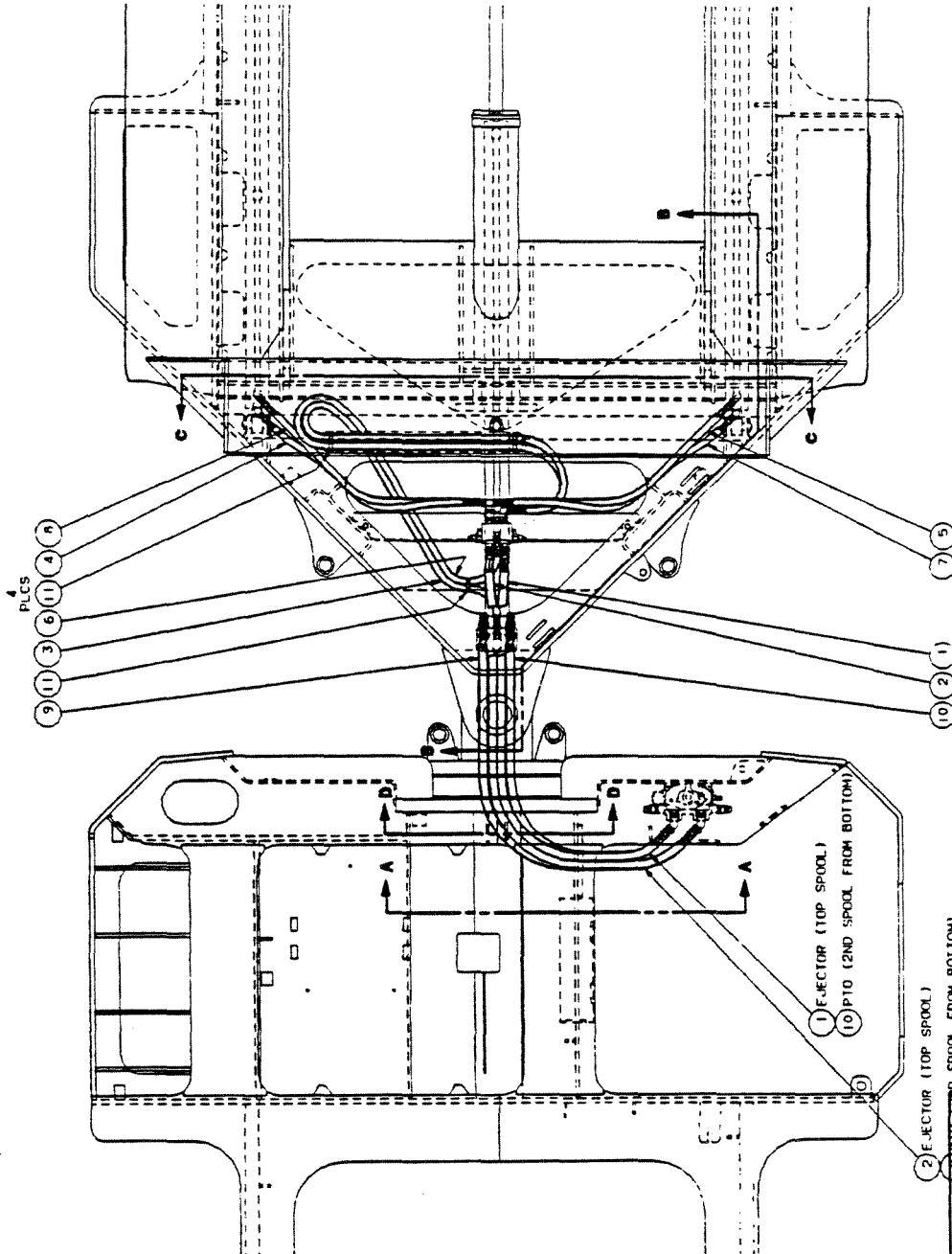


SECTION D-D

CENTER SECTION HOSE DIAGRAM

- STEERING HOSES (010626HA)
 1 CYL EXTEND (REF #5)
 2 CYL RETRACT (REF #6)
 3 CYL RETRACT (REF #4)
 4 CYL EXTEND (REF #3)
 REAR TRACTIVE HOSES (01101230P)
 5 ACTUATOR (REF #2)
 6 MOTOR DRAIN (REF #24)
 7 MOTOR VALVE RETURN (REF #18)
 8 MAIN RETURN (REF #17)
 9 MAIN SUPPLY (REF #19)
 10 MOTOR CIRCUIT (REF #8)
 11 MOTOR CIRCUIT (REF #7)
 12 MOTOR CIRCUIT (REF #5)
 13 FIRE SUPPRESSOR HOSE (010630HA)
 14 ACTUATOR (REF #3)

SEE SHEET 2 FOR AUXILIARY VIEWS



1 EJECTOR (TOP SPOOL)
 10 P.T.O (2ND SPOOL FROM BOTTOM)
 2 EJECTOR (TOP SPOOL)
 7 P.T.O (2ND SPOOL FROM BOTTOM)

REV.1

SHEET 1 OF 3

**012146X1HA
 EJECTOR/PTO HOSE**

CLICK HERE TO **DOWNLOAD** THE COMPLETE MANUAL

- Thank you very much for reading the preview of the manual.
- You can download the complete manual from: www.heydownloads.com by clicking the link below



- Please note: If there is no response to CLICKING the link, please download this PDF first and then click on it.

CLICK HERE TO **DOWNLOAD** THE COMPLETE MANUAL