

All rights reserved by **CNHi**.

The information contained in this catalogue is intended to be of a general nature only. **CNHi** may at any time and from time to time, for technical or other necessary reasons, modify any of the details or specifications of the product described in this catalogue.

To be sure of getting accurate, detailed and up-to-date information, an intending buyer should consult his nearest **CNHi** dealer or distributor.

Single item numeration method used in this catalogue may not be used without written consent from **CNHi**.

CLICK HERE TO **DOWNLOAD** THE COMPLETE MANUAL

- Thank you very much for reading the preview of the manual.
- You can download the complete manual from: [www.heydownloads.com](http://www.heydownloads.com) by clicking the link below



- Please note: If there is no response to CLICKING the link, please download this PDF first and then click on it.

CLICK HERE TO **DOWNLOAD** THE COMPLETE MANUAL

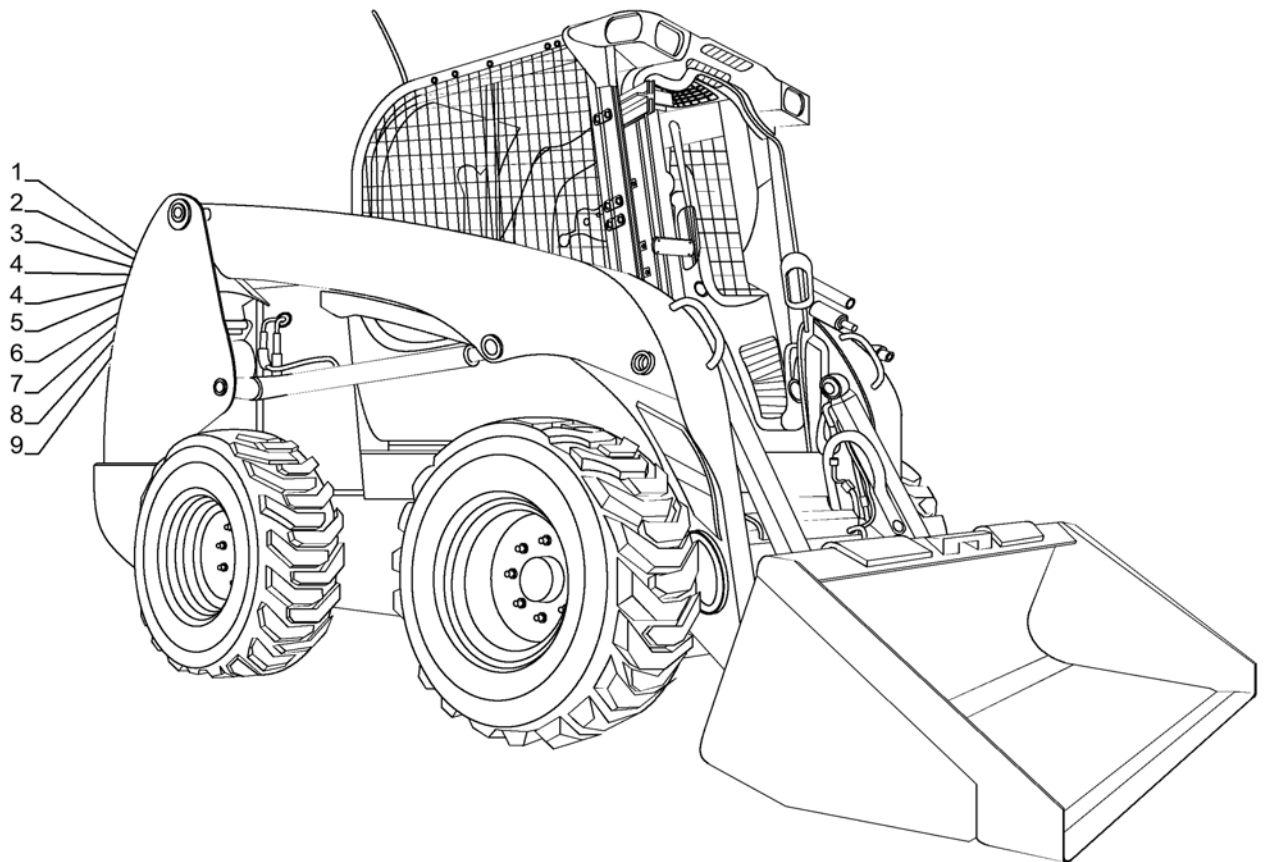
---

## TABLE OF CONTENTS

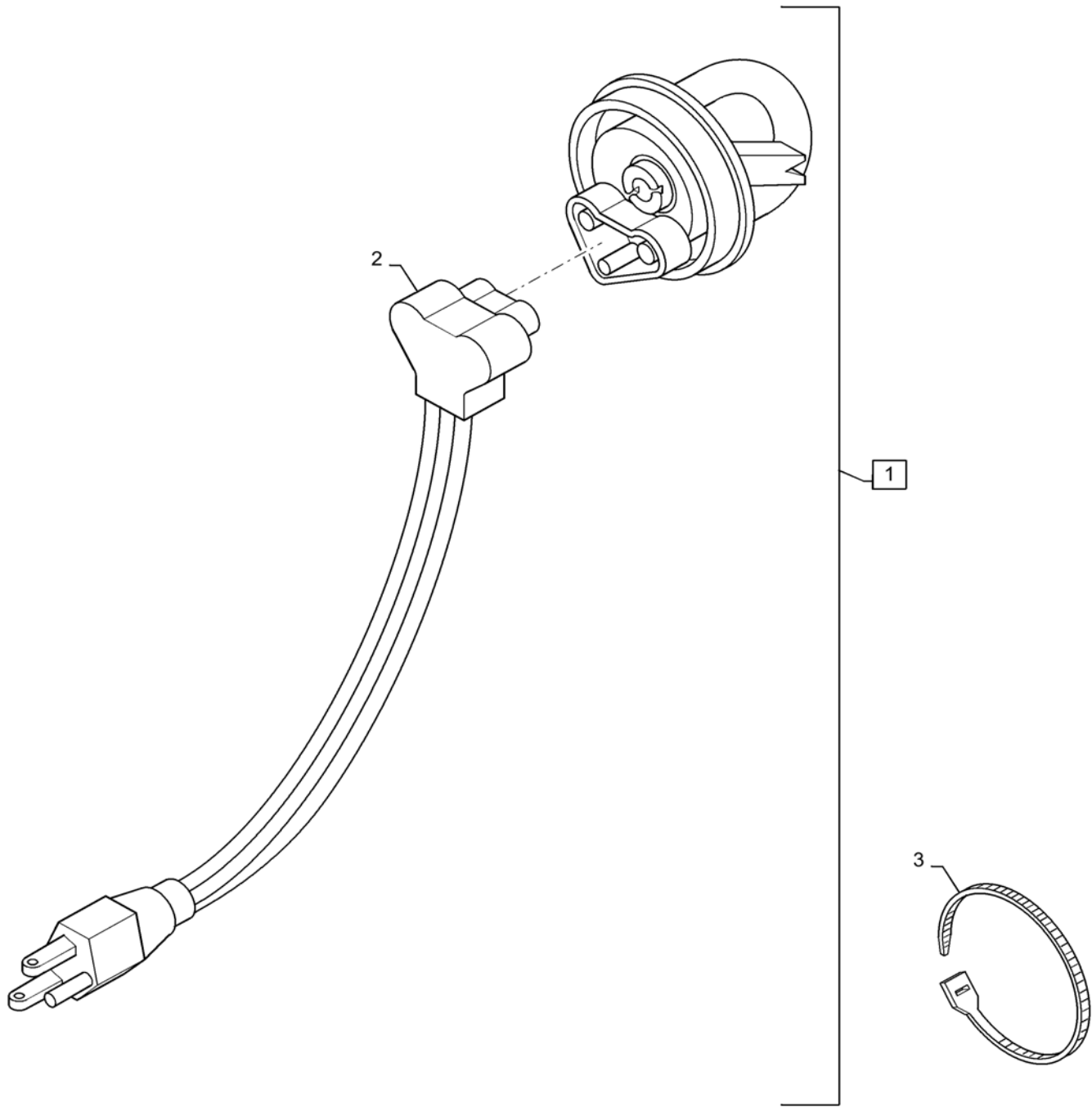
---

95.042.AAQ	HARLEY POWER BOX RAKE, SR160
95.042.AAR	HARLEY POWER BOX RAKE, SR175
95.042.AAS	HARLEY POWER BOX RAKE, SV185
95.044.AAN	HYDRAULIC HAMMERS, SR130
95.044.AAP	HYDRAULIC HAMMERS, SR150
95.044.AAQ	HYDRAULIC HAMMERS, SR160
95.044.AAR	HYDRAULIC HAMMERS, SR175
95.044.AAS	HYDRAULIC HAMMERS, SV185
95.048.AAN	LIFT BOOM, SR130
95.048.AAP	LIFT BOOM, SR150
95.048.AAQ	LIFT BOOM, SR160
95.048.AAR	LIFT BOOM, SR175
95.048.AAS	LIFT BOOM, SV185
95.050.AAN	LOAD MONITORS, SR130
95.050.AAP	LOAD MONITORS, SR150
95.050.AAQ	LOAD MONITORS, SR160
95.050.AAR	LOAD MONITORS, SR175
95.050.AAS	LOAD MONITORS, SV185
95.052.AAP	MANURE FORK & MANURE FORK WITH GRAPPLE, SR150
95.052.AAQ	MANURE FORK & MANURE FORK WITH GRAPPLE, SR160
95.052.AAS	MANURE FORK & MANURE FORK WITH GRAPPLE, SV185
95.054.AAN	MANURE SCRAPERS, SR130
95.054.AAP	MANURE SCRAPERS, SR150
95.054.AAQ	MANURE SCRAPERS, SR160
95.054.AAR	MANURE SCRAPERS, SR175
95.054.AAS	MANURE SCRAPERS, SV185
95.088.SPA	SNOW PUSHER ATTACHMENT, 8FT
95.088.SPA 01	SNOW PUSHER ATTACHMENT, HEAVY DUTY MOLDBOARD COMPONENTS
95.088.SPA 02	SNOW PUSHER ATTACHMENT, SIDE PANEL & MOLDBOARD ATTACHING HARDWARE
95.089.GRP	BUCKET SRAP GRAPPLE 72 IN
95.090.ATP	TREE PULLER
95.100.000	PICKUP BROOM 60"
95.101.000	TRENCHER
95.102.000	AUGER DRIVE, SR130

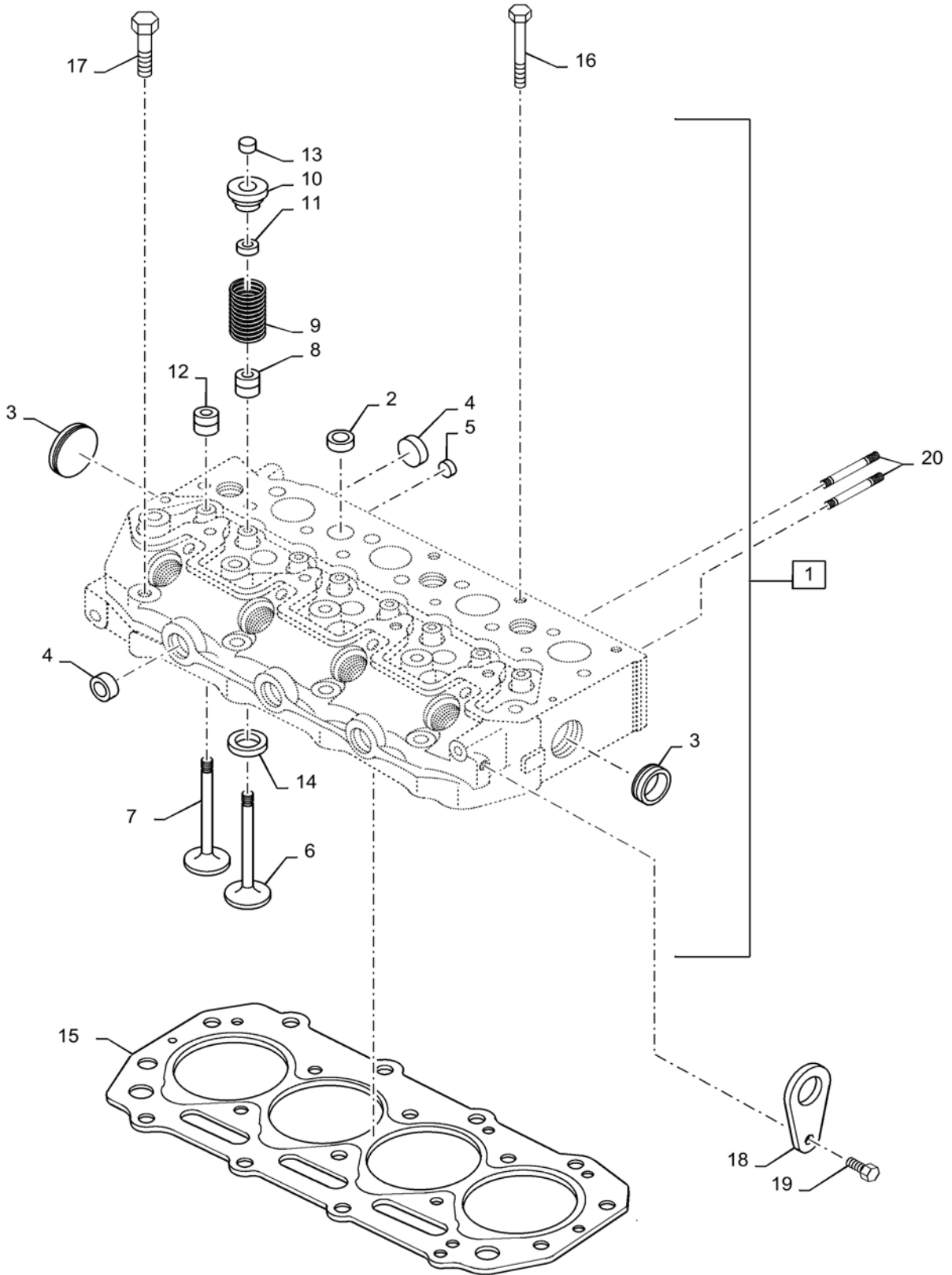
FILTERS



BLOCK HEATER



CYLINDER HEAD

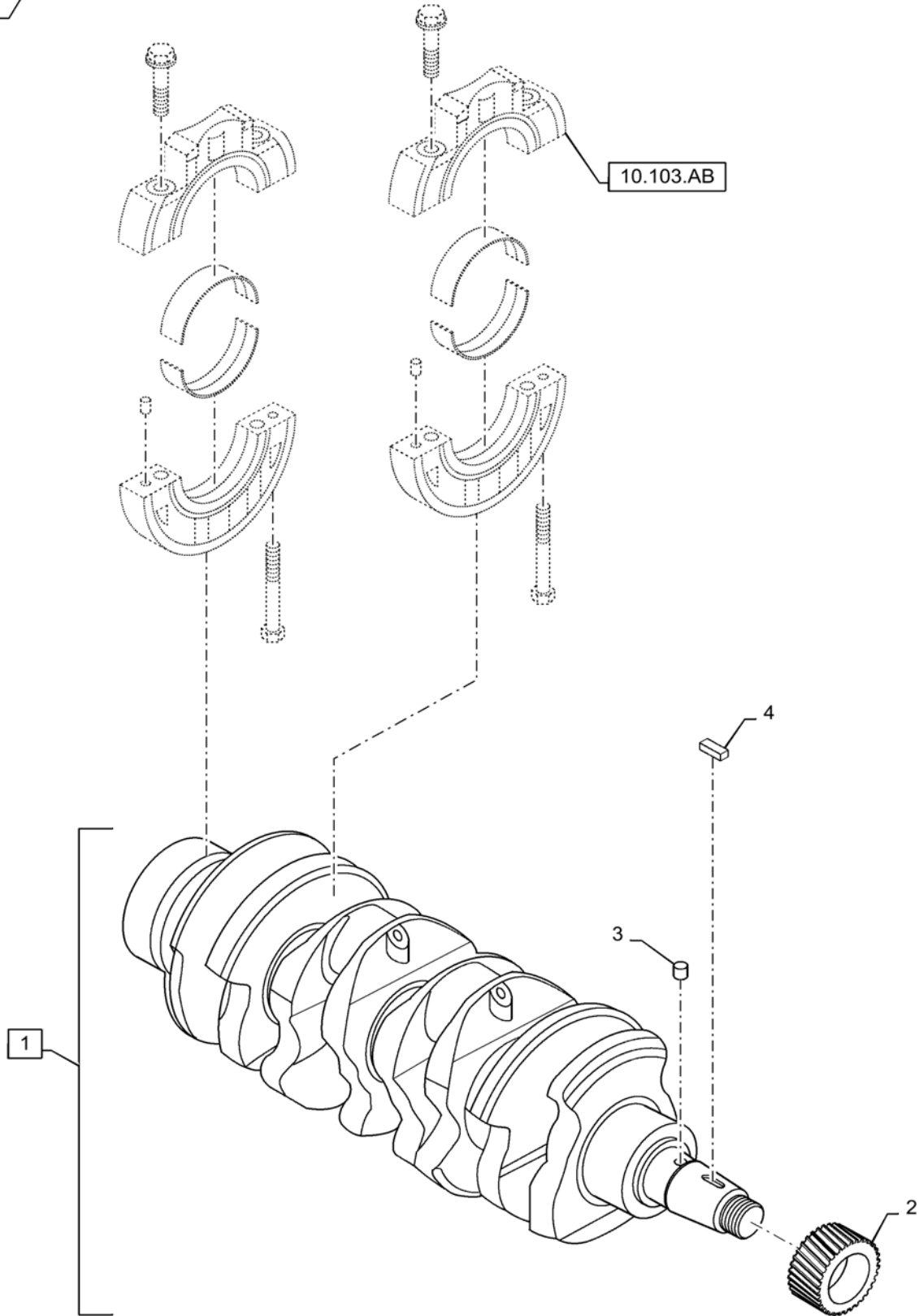


10.103.AA

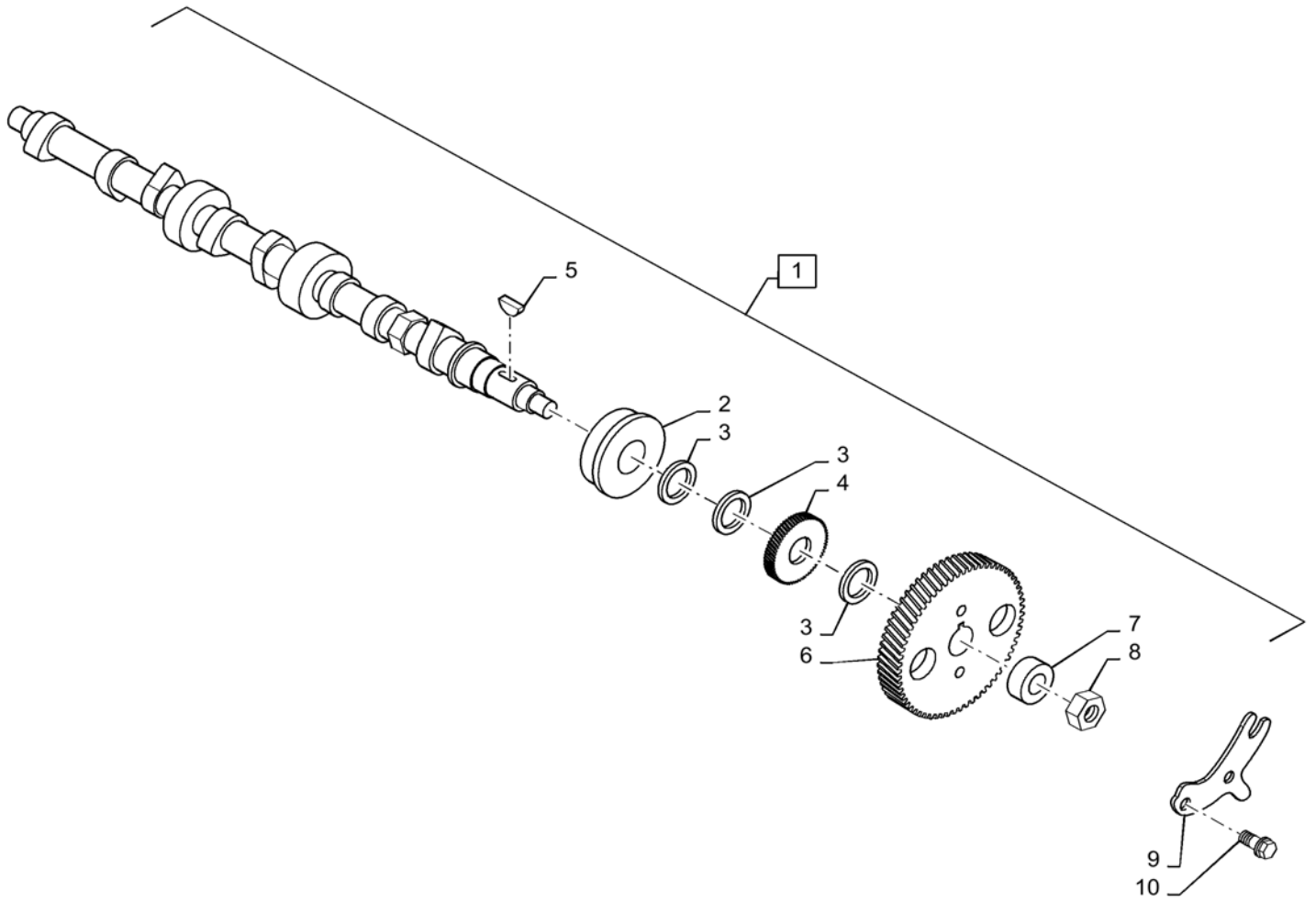
p1

7/2020

CRANKSHAFT



CAMSHAFT



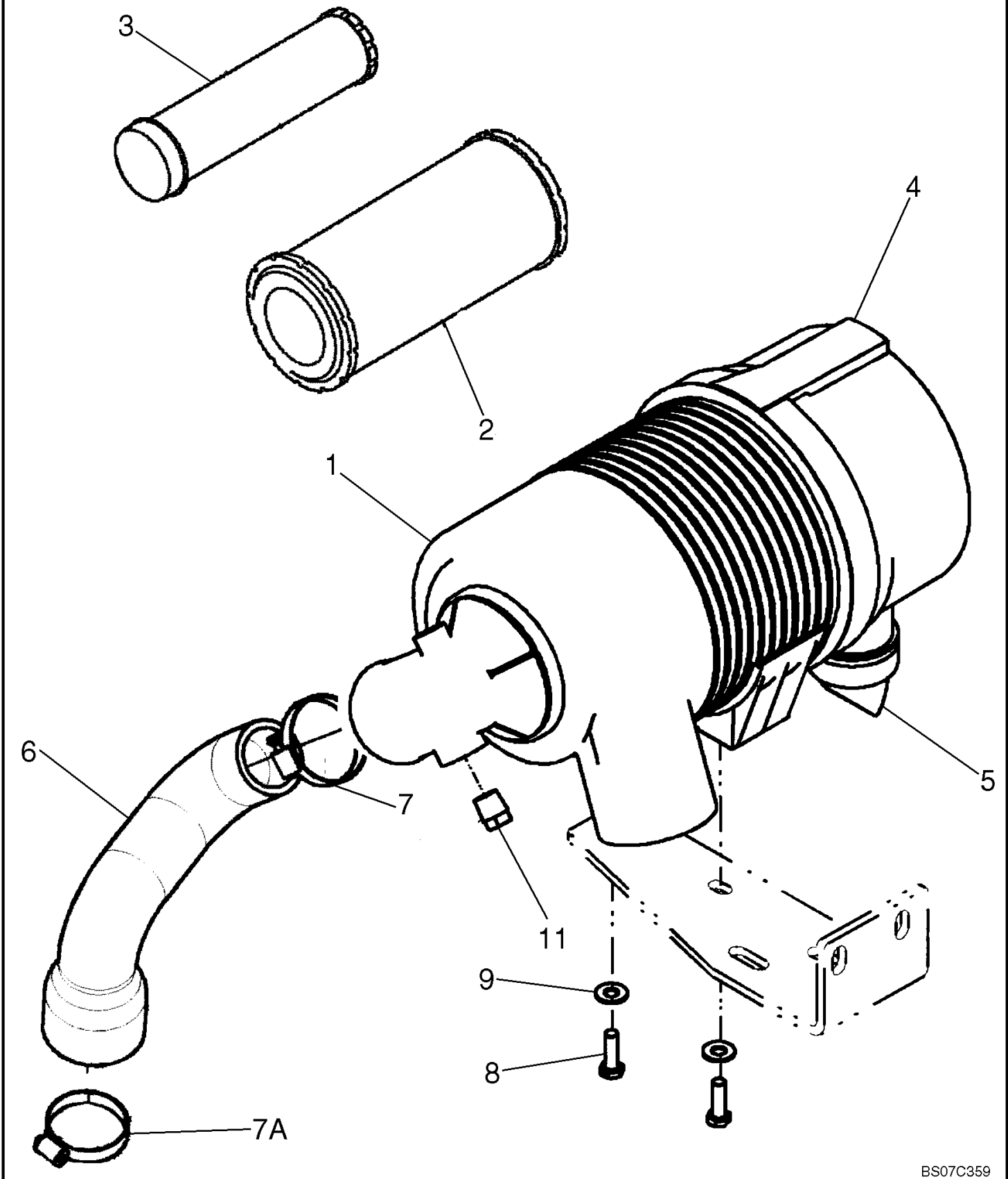
10.202.AB

02

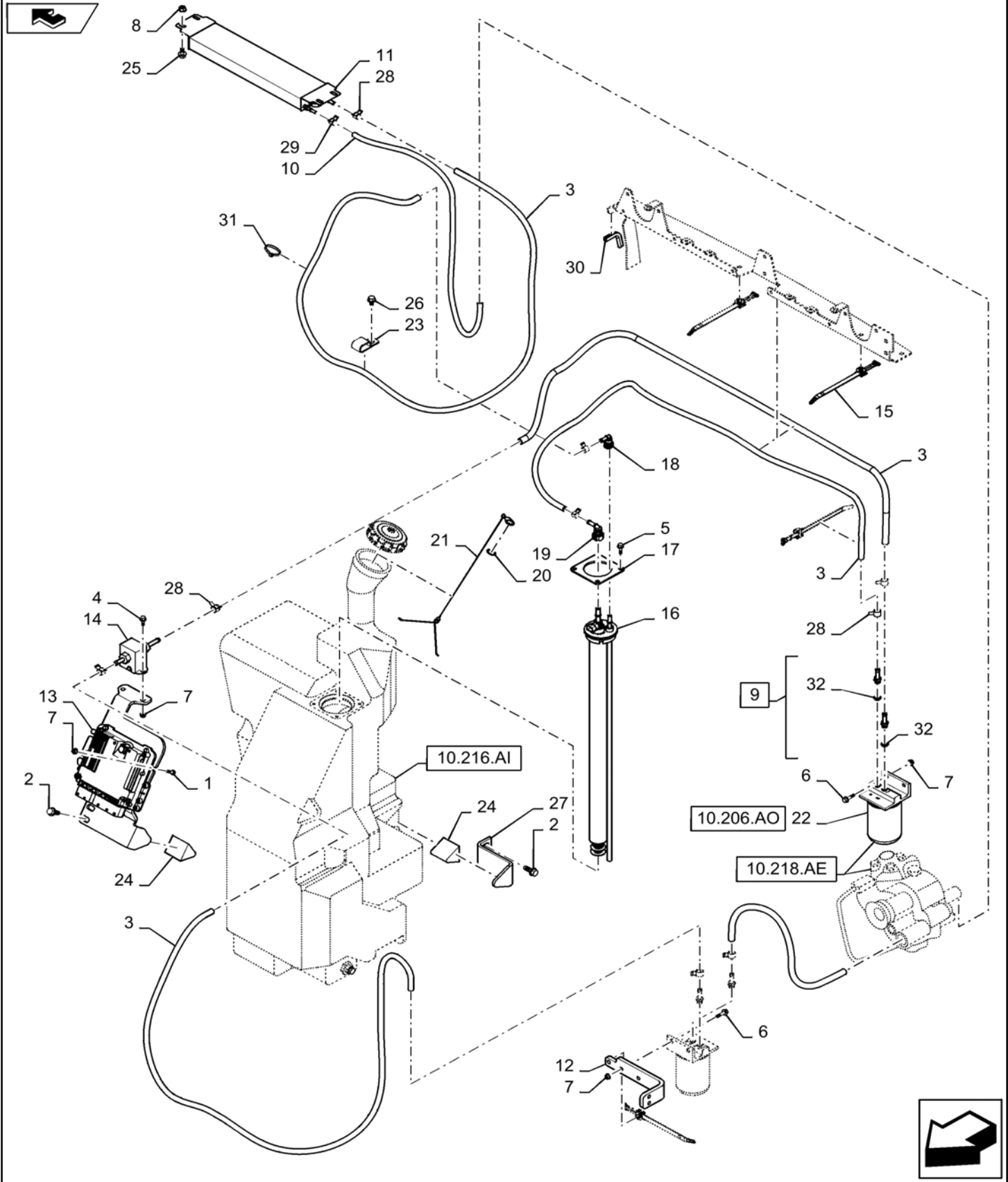
p1

7/2020

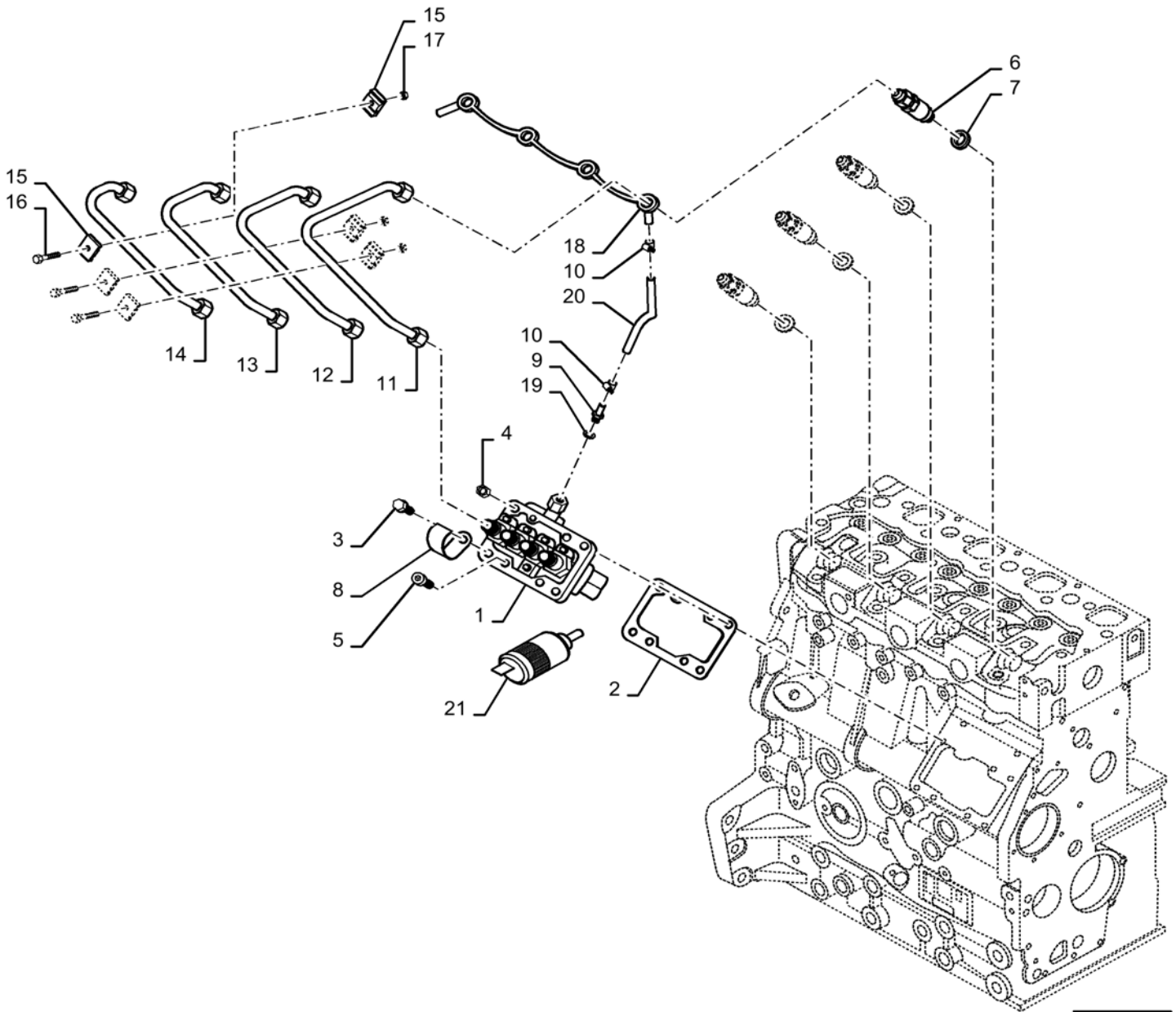
AIR CLEANER - ENGINE (EUROPE)



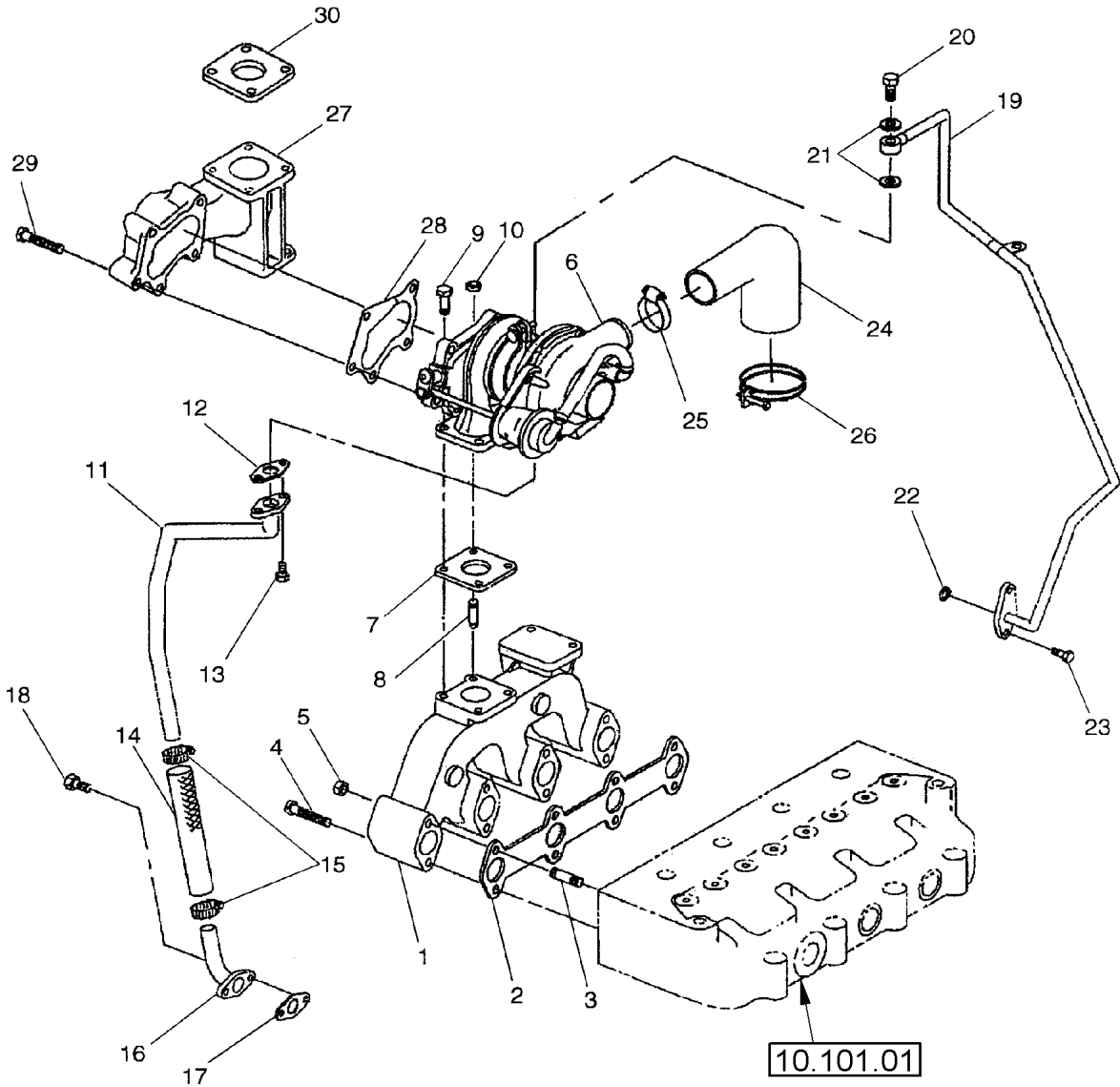
FUEL LINES (10-MAY-2012 THRU 17-JUN-2015)



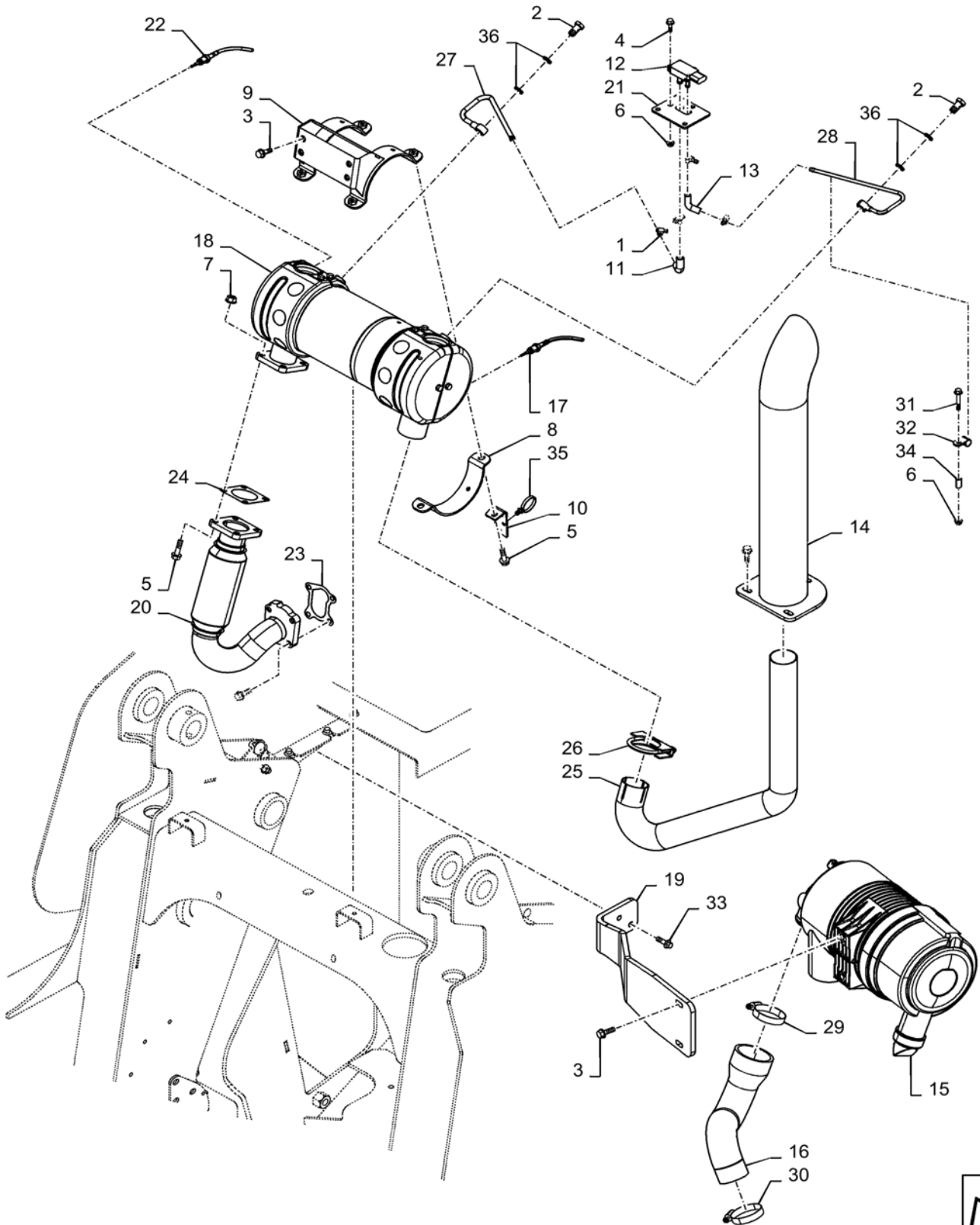
FUEL SYSTEM INJECTOR



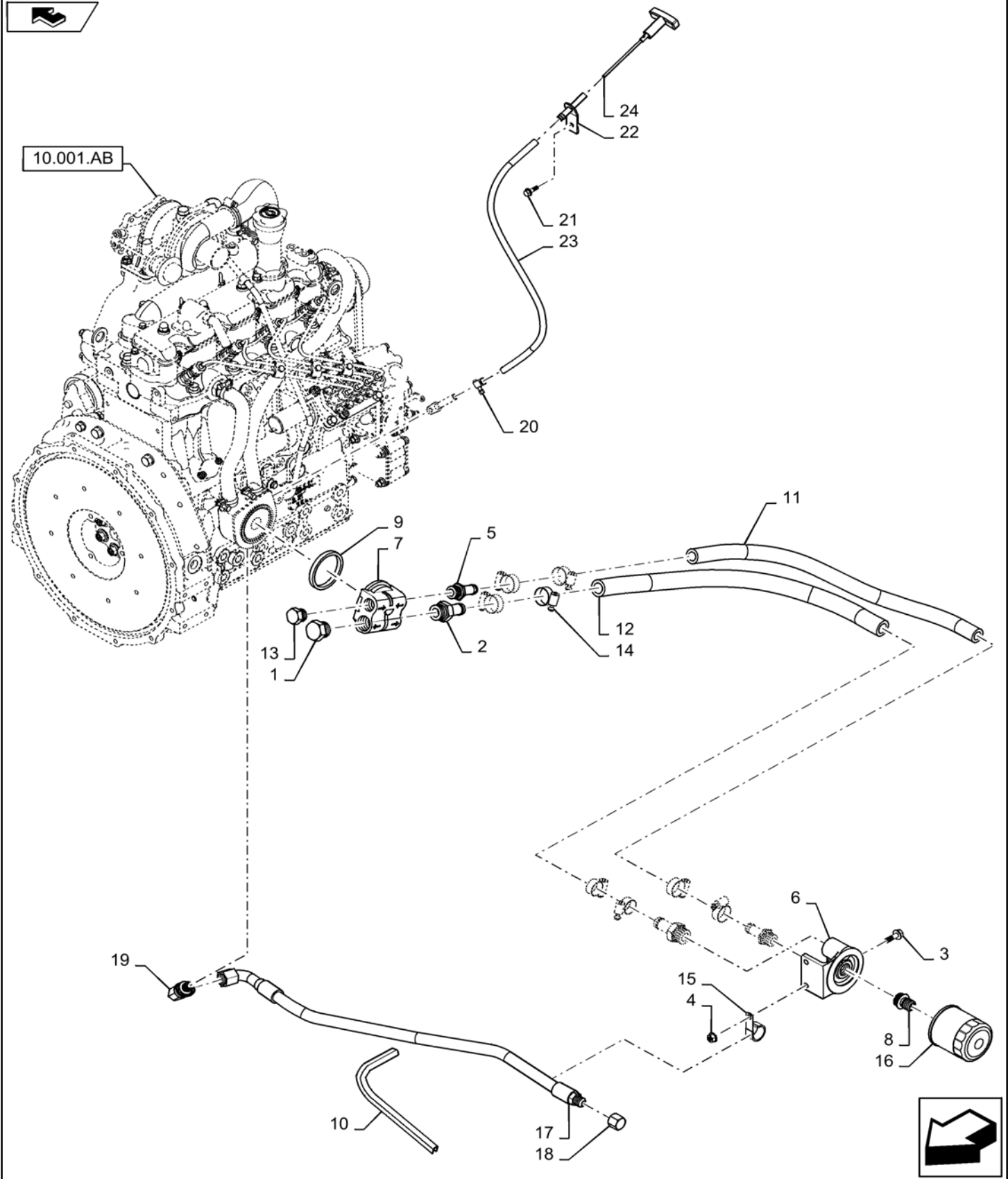
TURBOCHARGER



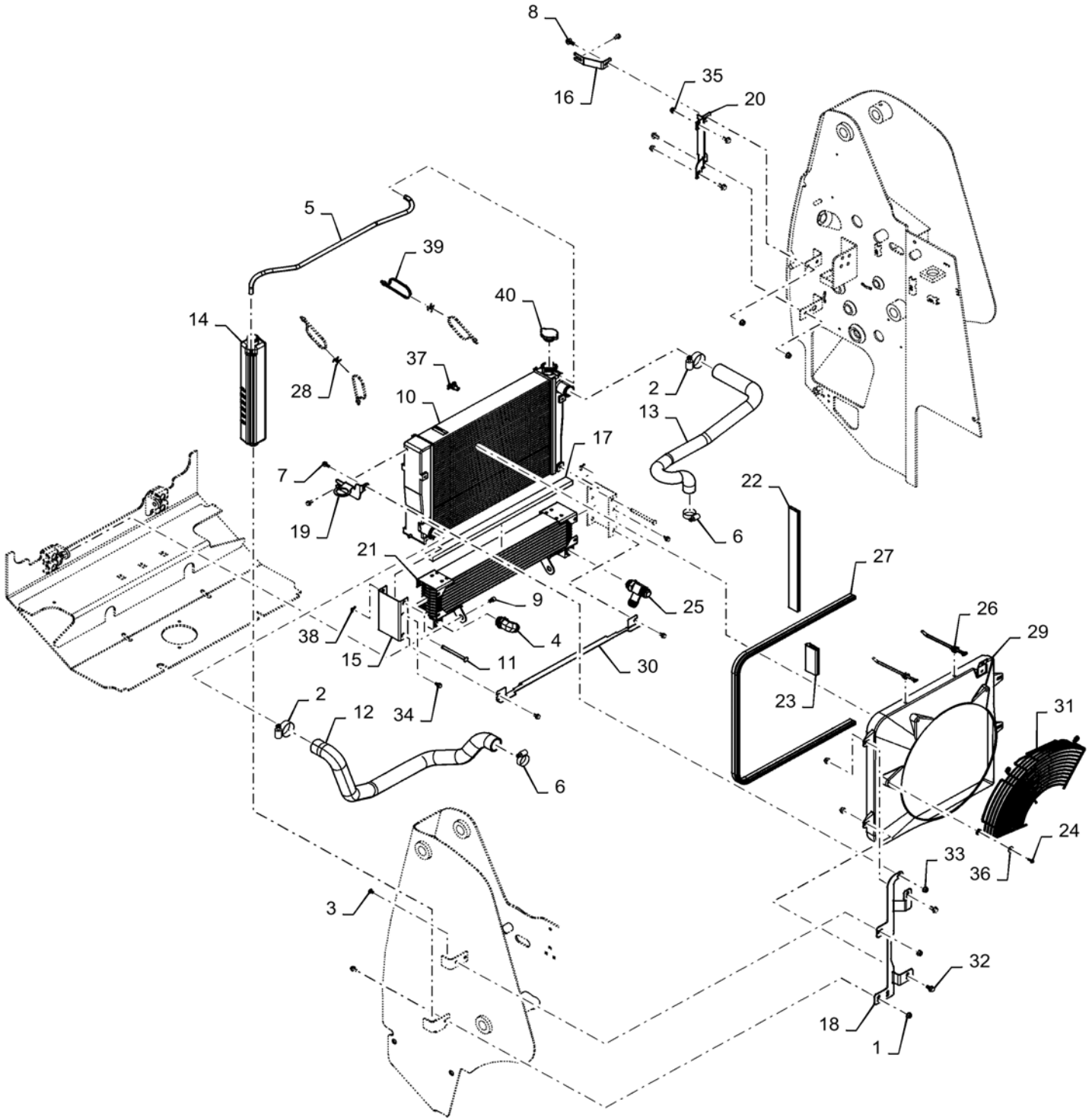
EXHAUST SYSTEM W/ MUFFLER



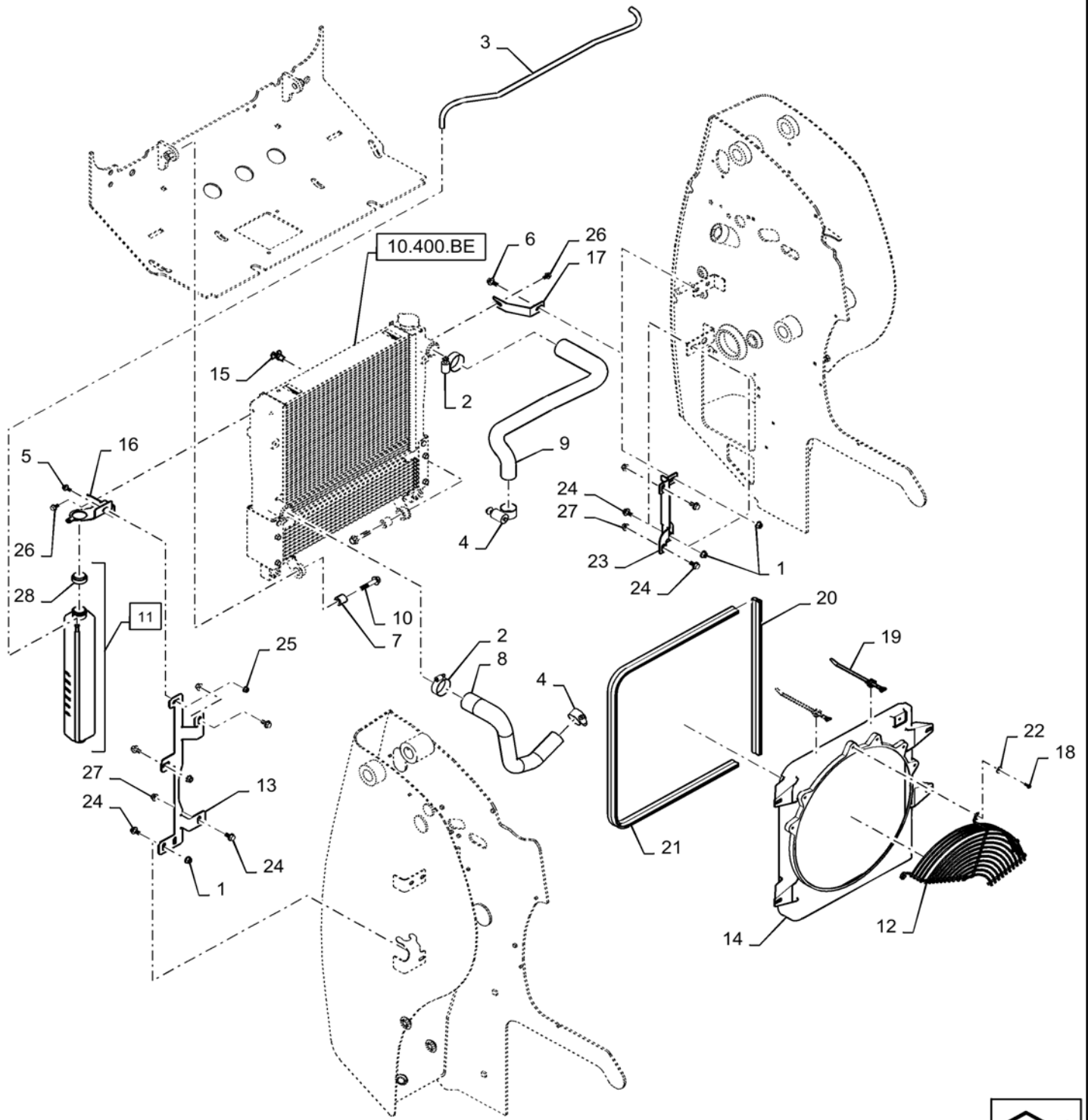
REMOTE ENGINE OIL FILTER LINES



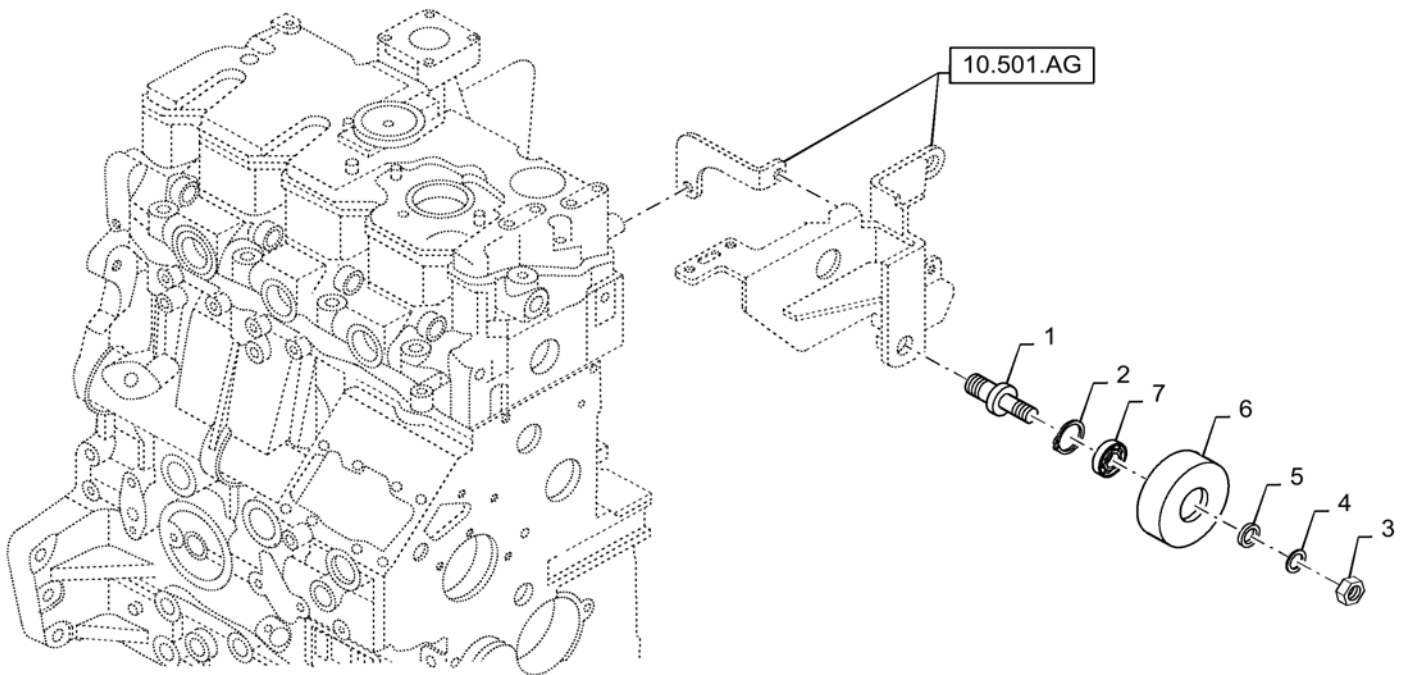
RADIATOR & RELATED PARTS, 1-MAY-2015 & NEWER



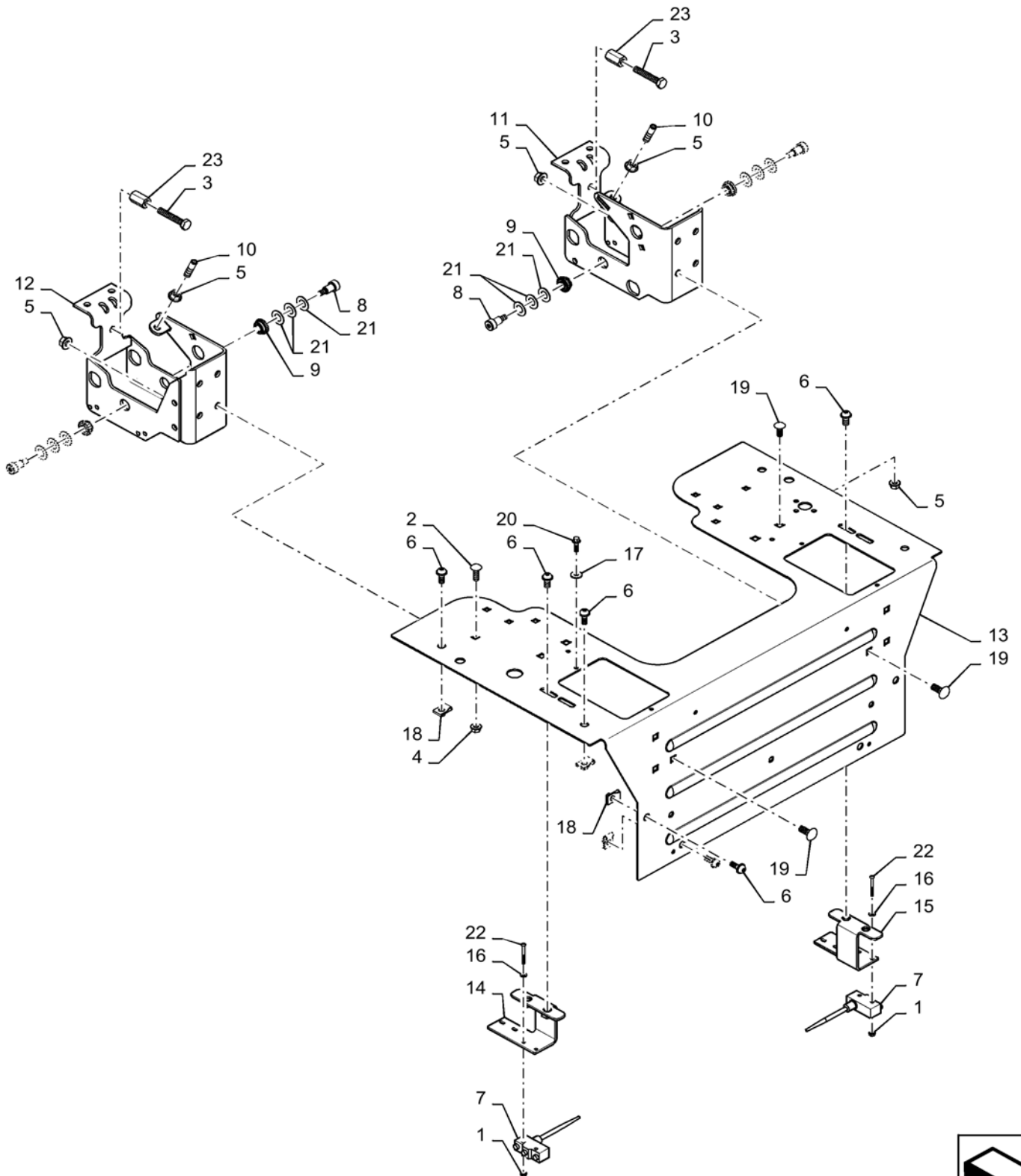
FAN SHROUD AND ASSOCIATED PARTS



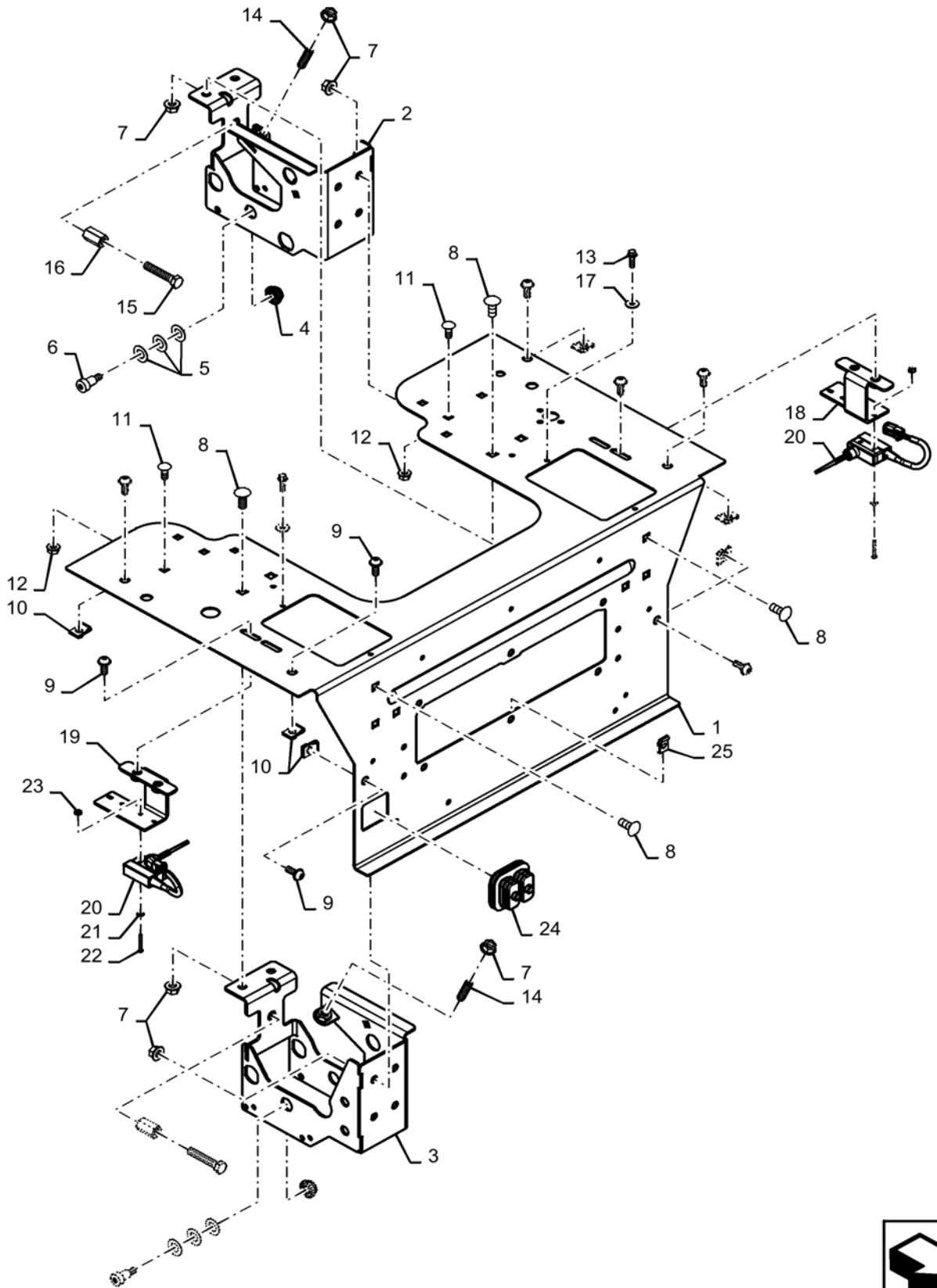
IDLER, PULLEY



HANDLE MOUNTING, HAND CONTROLS



HANDLE MOUNTING, FOOT CONTROLS (27-APR-2016 & NEWER)



AXLE, PLANETARY GEAR BOX



1

2

3

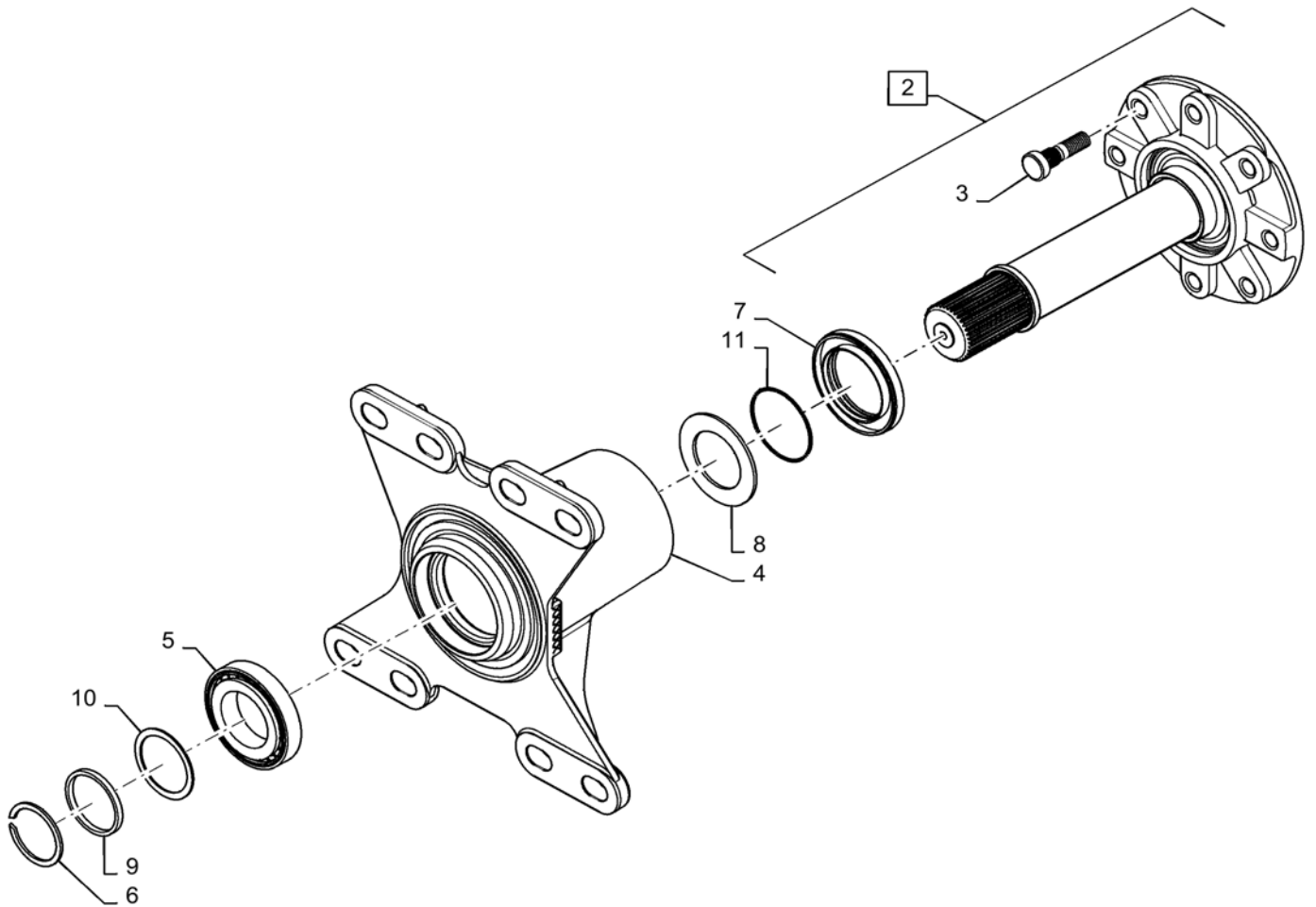
7  
11

8  
4

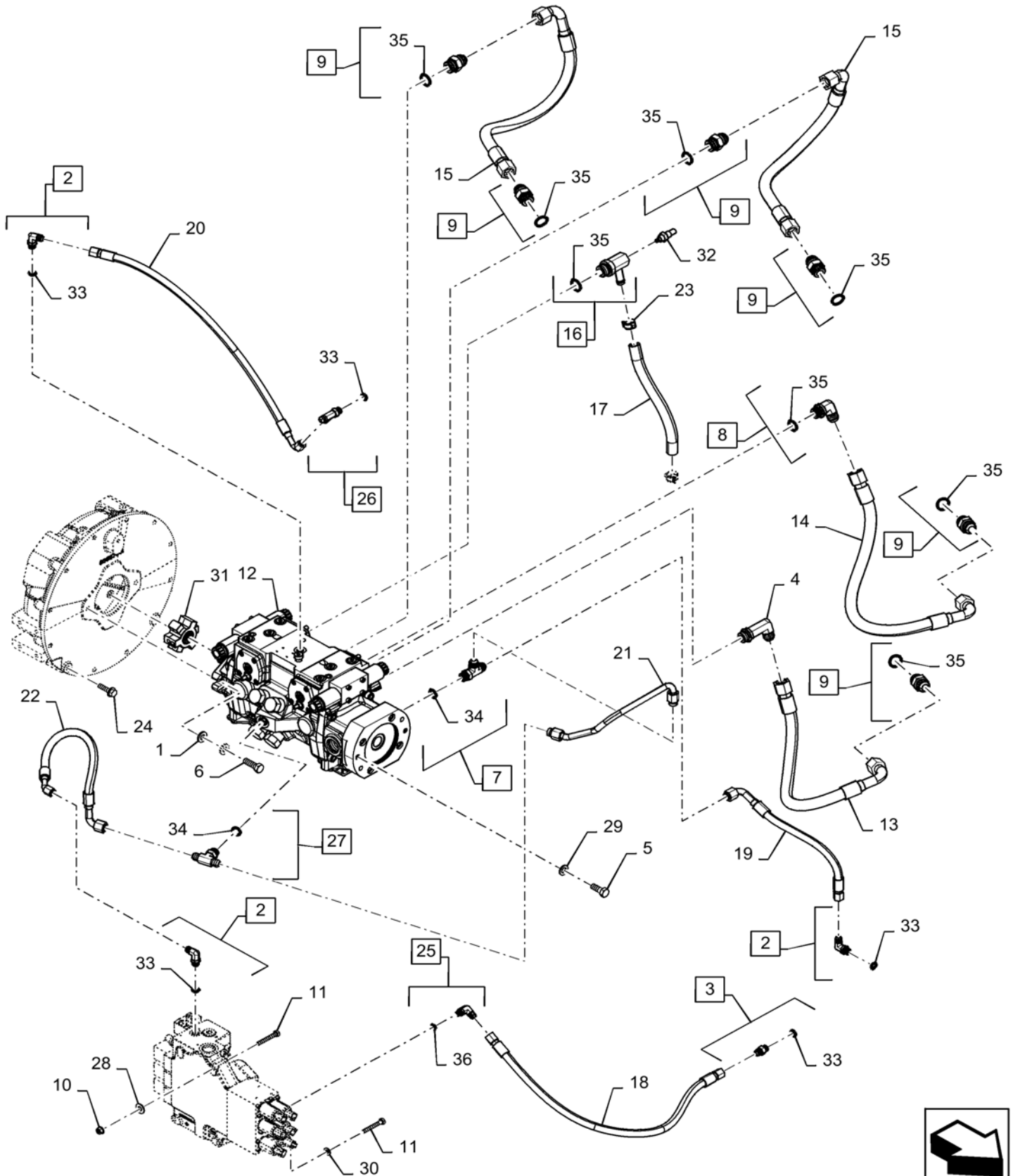
5

10

9  
6



HYDROSTATIC PUMP, DRIVE LINES, E-H CONTROLS



---

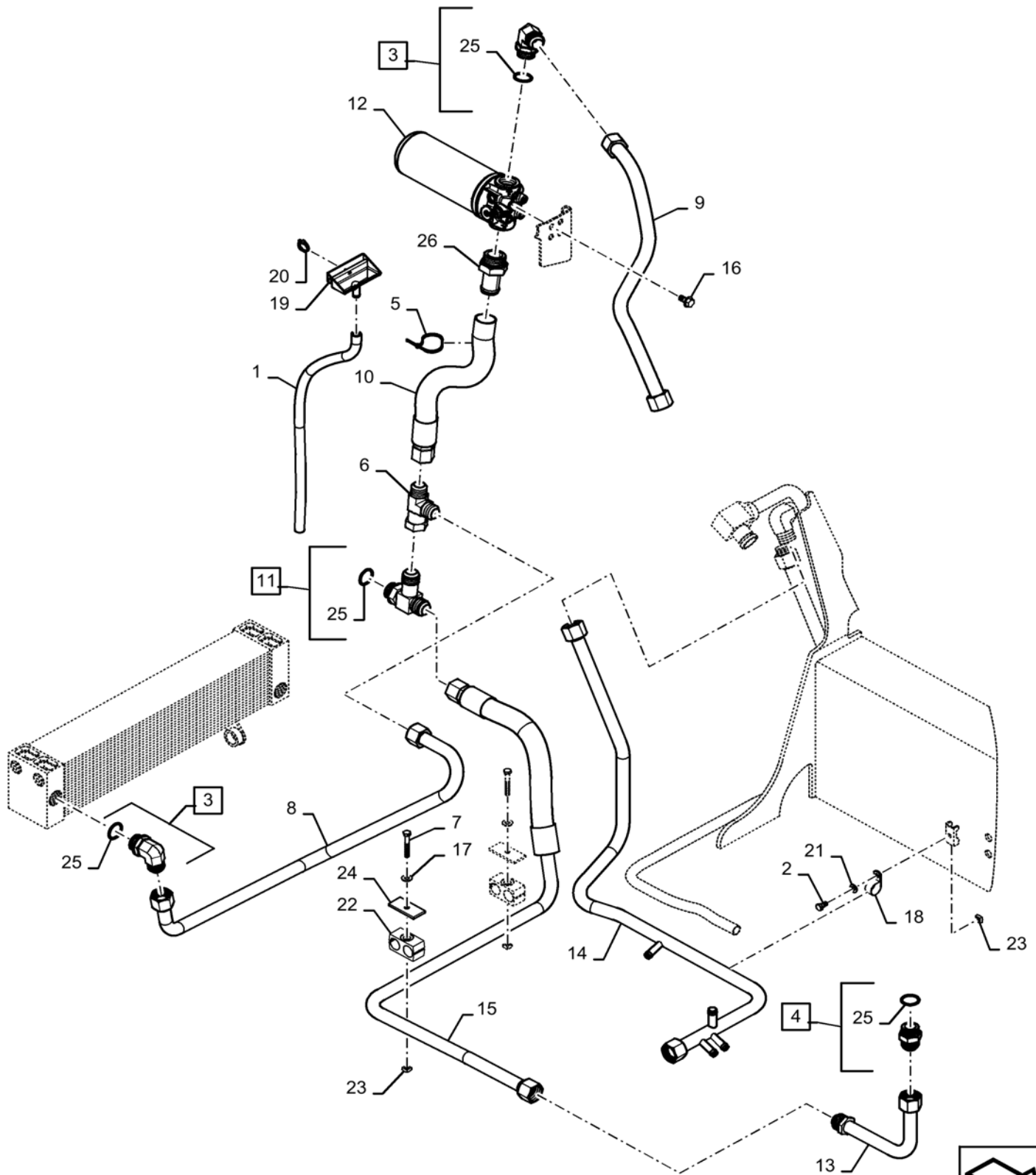
## SECTION INDEX

### HYDRAULIC SYSTEMS

---

35.701.AX	01	LOADER VALVE PLUMBING 03-OCT-2016 AND AFTER
35.701.AX	02	LOADER ARM LINES
35.701.AX	02	LOADER ARM LINES
35.701.AX	02	LOADER ARM LINES
35.701.AX	02	LOADER VALVE PLUMBING, ASN NHM435433
35.701.BQ	01	NO RIDE CONTROL
35.701.BQ	01	NO RIDE CONTROL
35.701.BQ	02	RIDE CONTROL VALVE
35.701.BR		RIDE CONTROL LINES
35.701.BR		RIDE CONTROL LINES
35.701.BU	01	NO SELF LEVELING
35.701.BU	01	NO SELF LEVELING
35.701.BU	02	BUCKET SELF LEVELING
35.701.BU	02	BUCKET SELF LEVELING
35.701.BU	02	SELF LEVELING
35.701.BU	02	SELF LEVELING
35.701.BU	03	SELF LEVELING VALVE
35.701.BU	03	SELF LEVELING VALVE
35.701.BU	03	SELF LEVELING VALVE
35.701.CB		BOOM LIFT CYLINDER
35.701.CB		BOOM LIFT CYLINDER
35.701.CB	01	LIFT CYLINDER, LH
35.701.CB	02	LIFT CYLINDER, RH
35.723.AA		BUCKET CYLINDER
35.723.AA		BUCKET CYLINDER
35.723.AA		BUCKET CYLINDER
35.723.AA		BUCKET CYLINDER
35.734.AA	01	HYDRAULIC COUPLER CHASSIS PLUMBING
35.734.AA	01	HYDRAULIC COUPLER CHASSIS PLUMBING
35.734.AA	01	HYDRAULIC COUPLER CHASSIS PLUMBING
35.734.AA	02	HYDRAULIC COUPLER BOOM ARM PLUMBING
35.734.AA	02	HYDRAULIC COUPLER BOOM ARM PLUMBING
35.734.AA	02	HYDRAULIC COUPLER BOOM ARM PLUMBING

HYDRAULIC RETURN PLUMBING



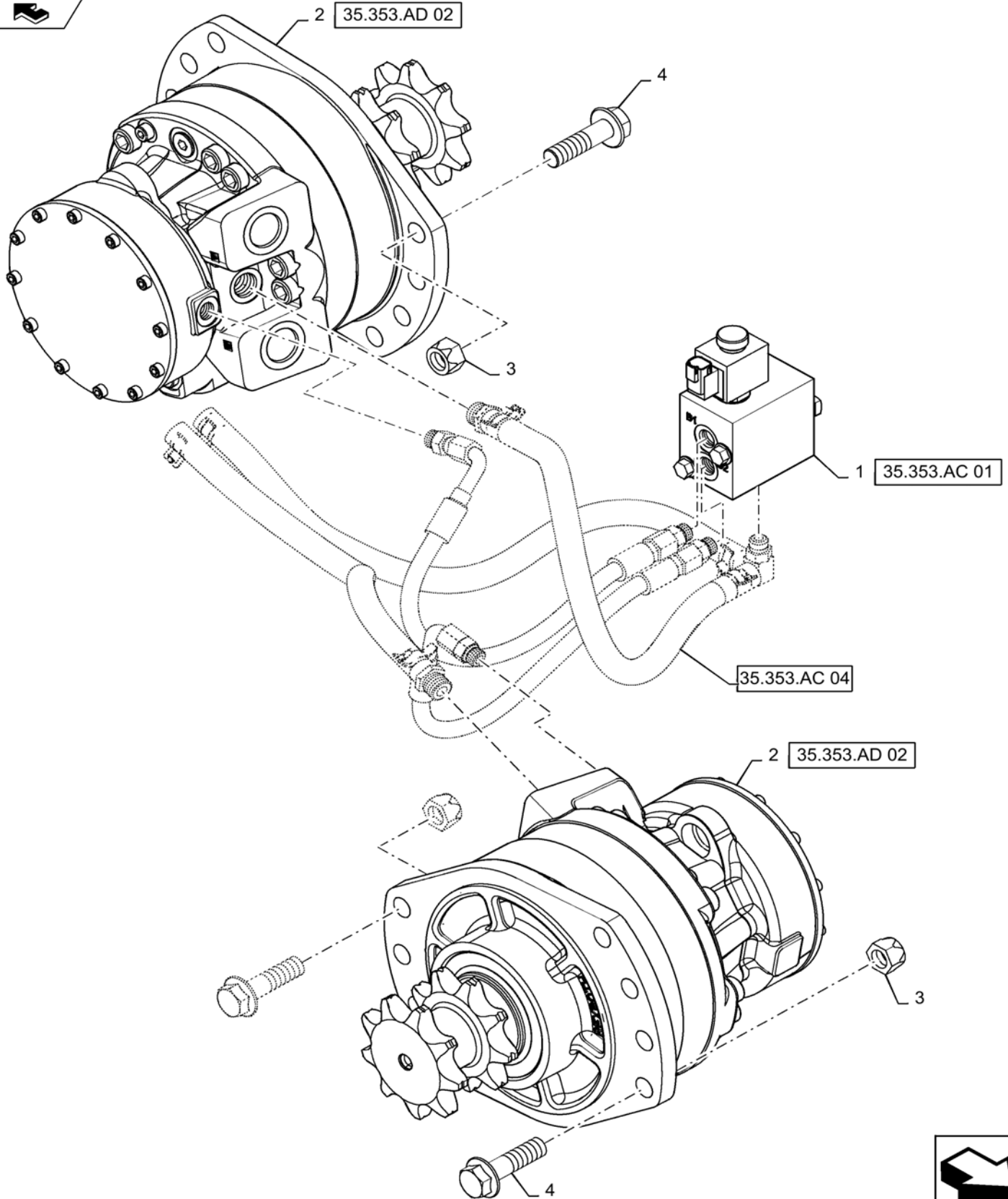
35.353.AD

01

p1

7/2020

TRAVEL SPEED, 1 SPEED



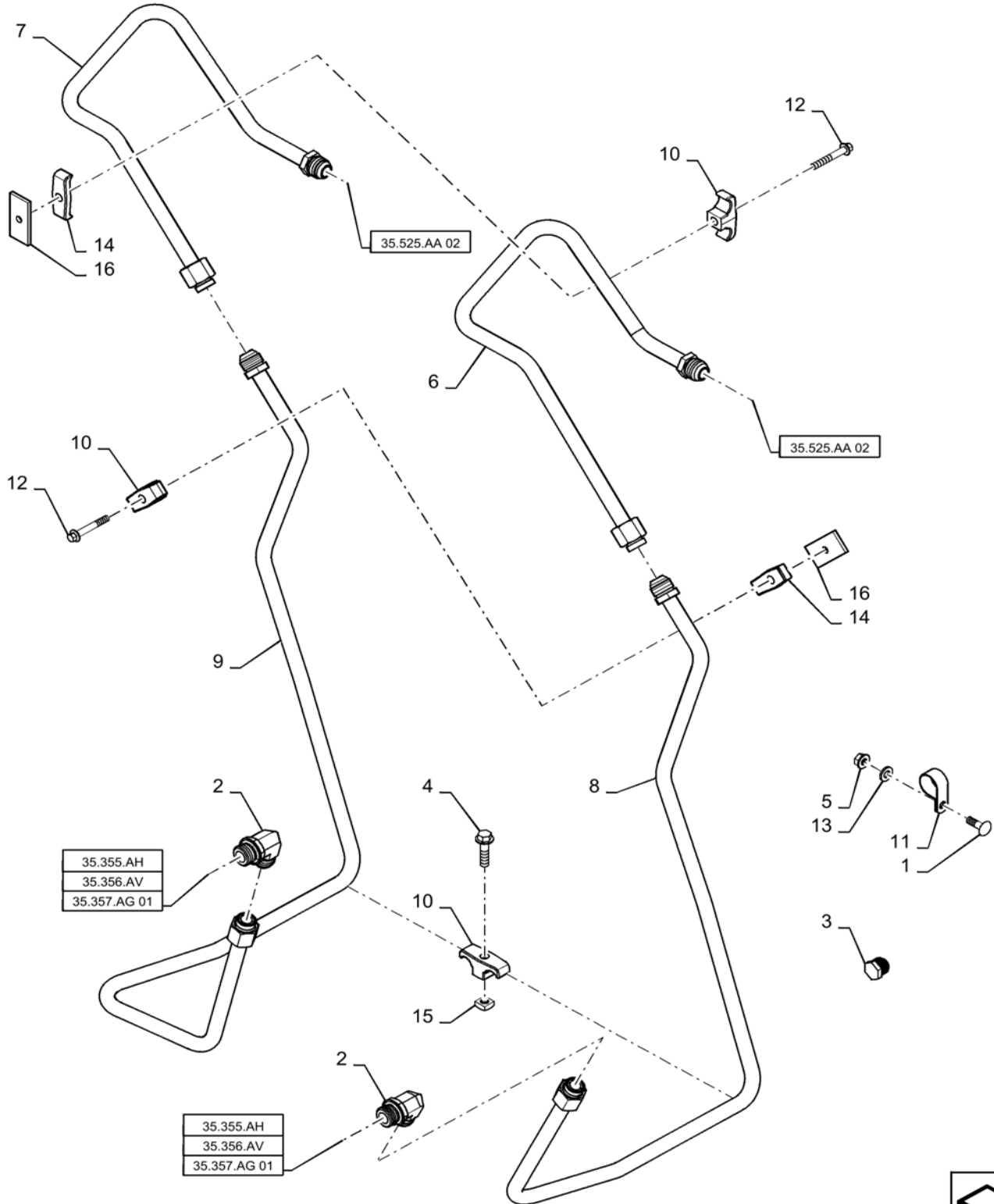
35.525.AA

01

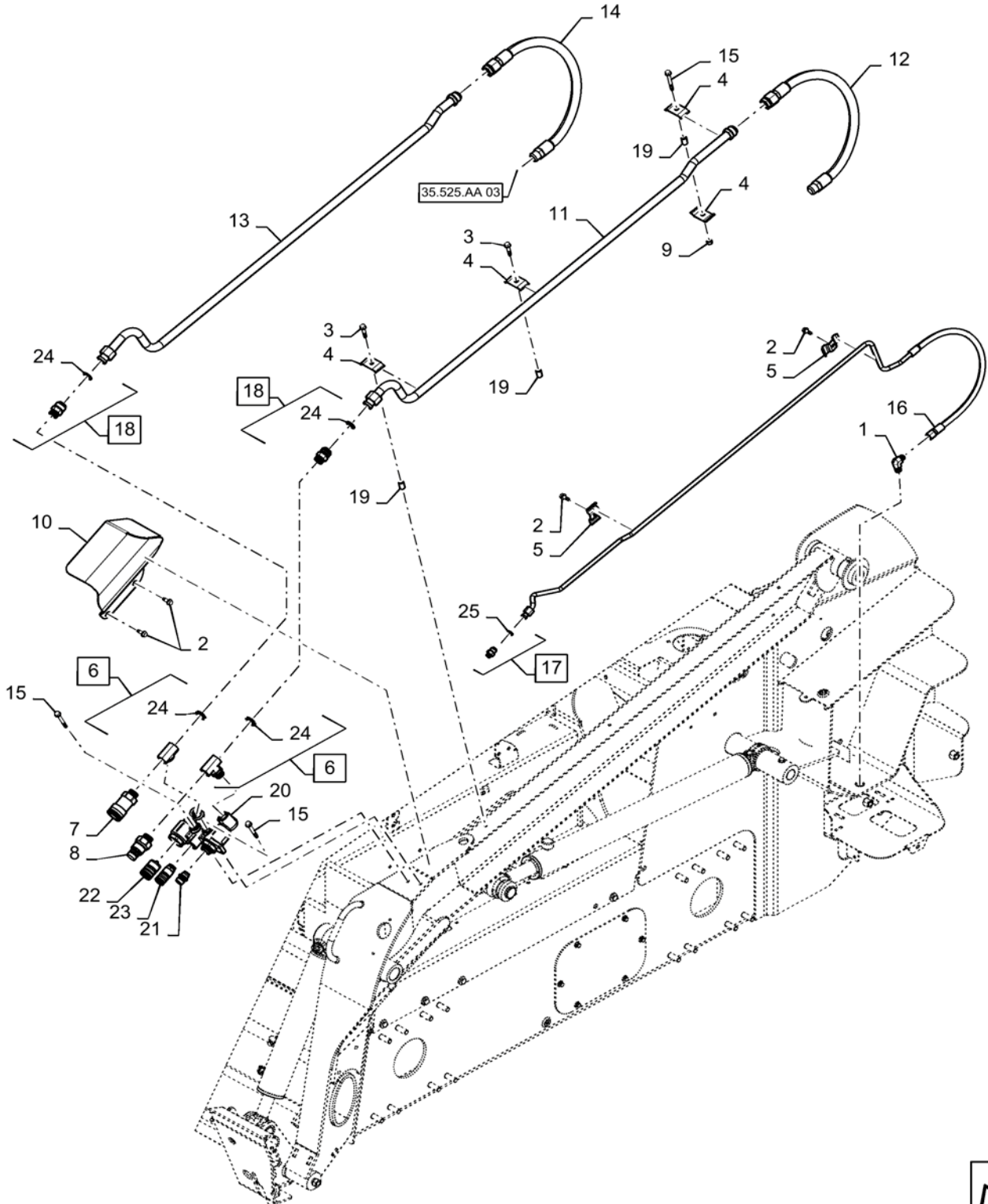
p1

7/2020

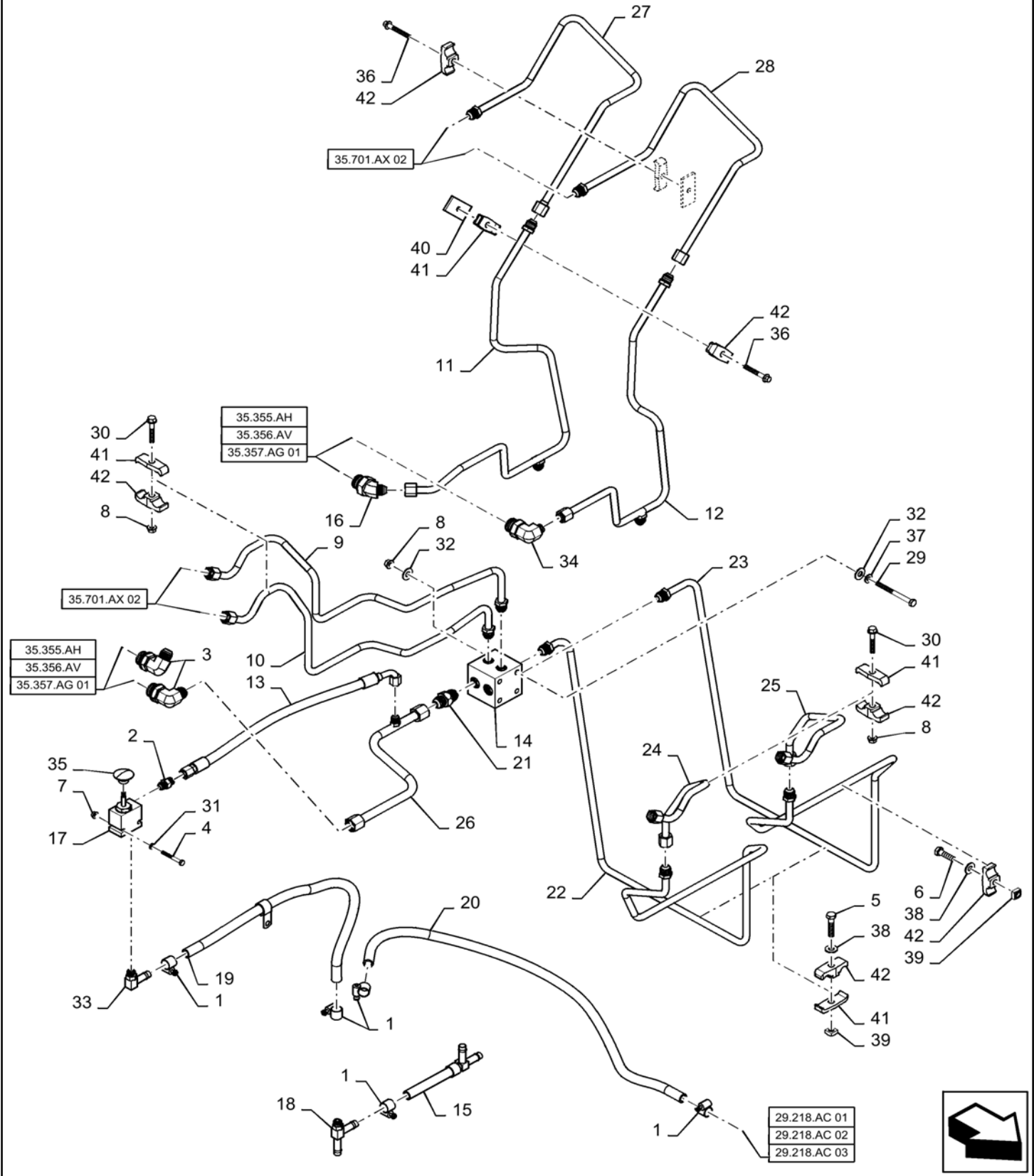
AUXILIARY CHASSIS PLUMBING, STANDARD FLOW



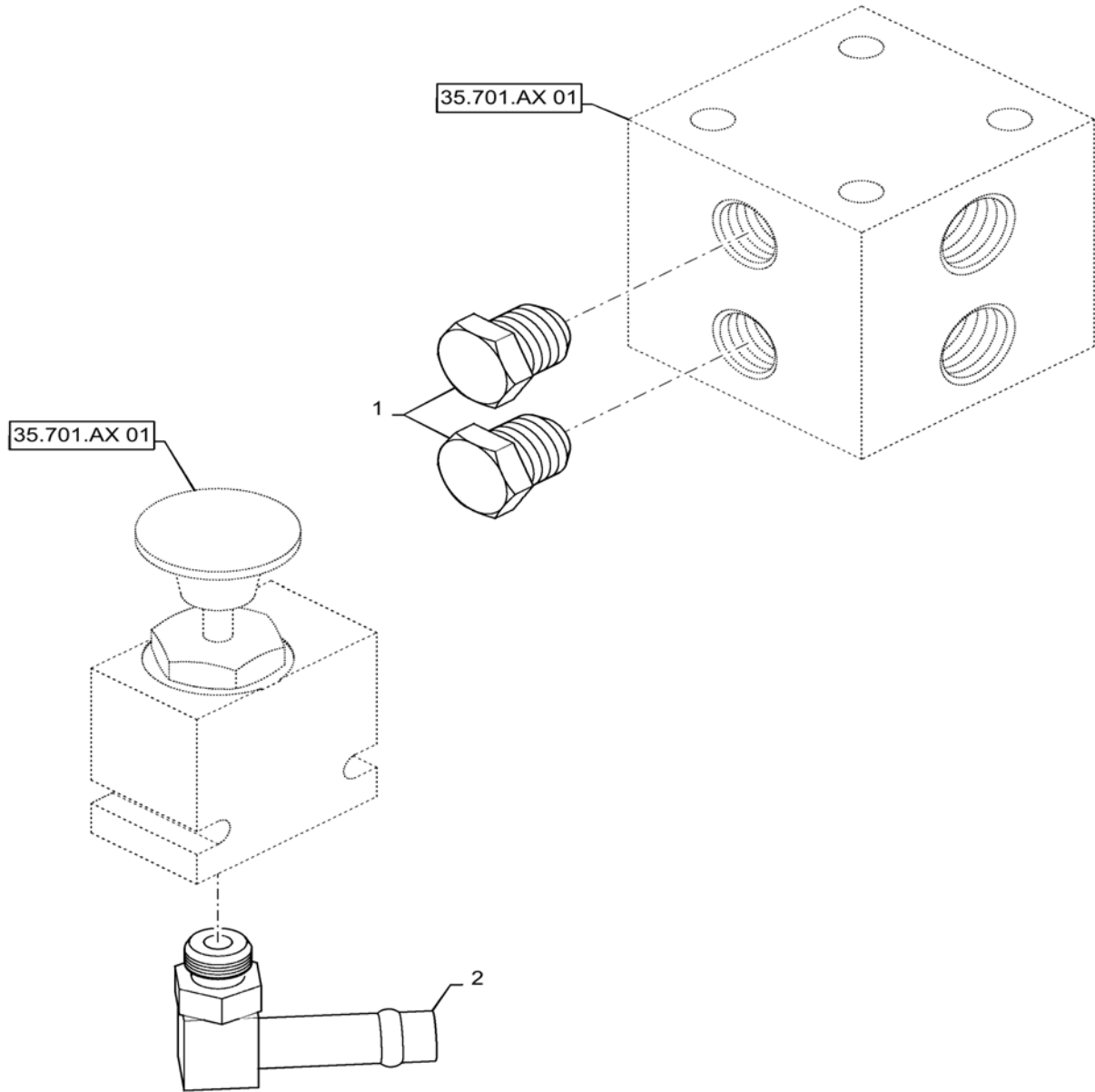
AUXILIARY BOOM ARM PLUMBING, HIGH FLOW



LOADER VALVE PLUMBING



NO RIDE CONTROL

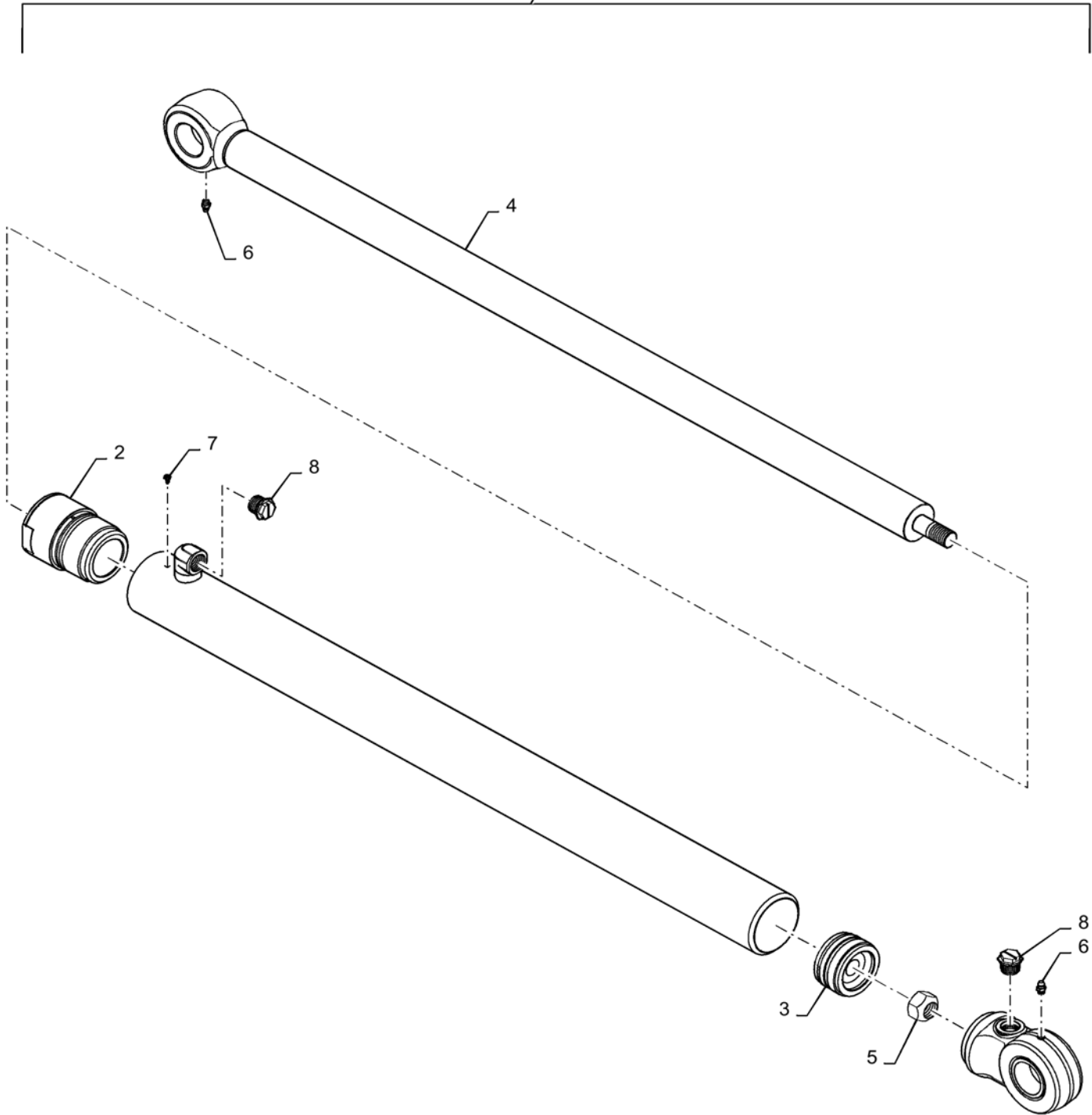


Plugs Installed On Bottom Face Of Manifold

BOOM LIFT CYLINDER



1



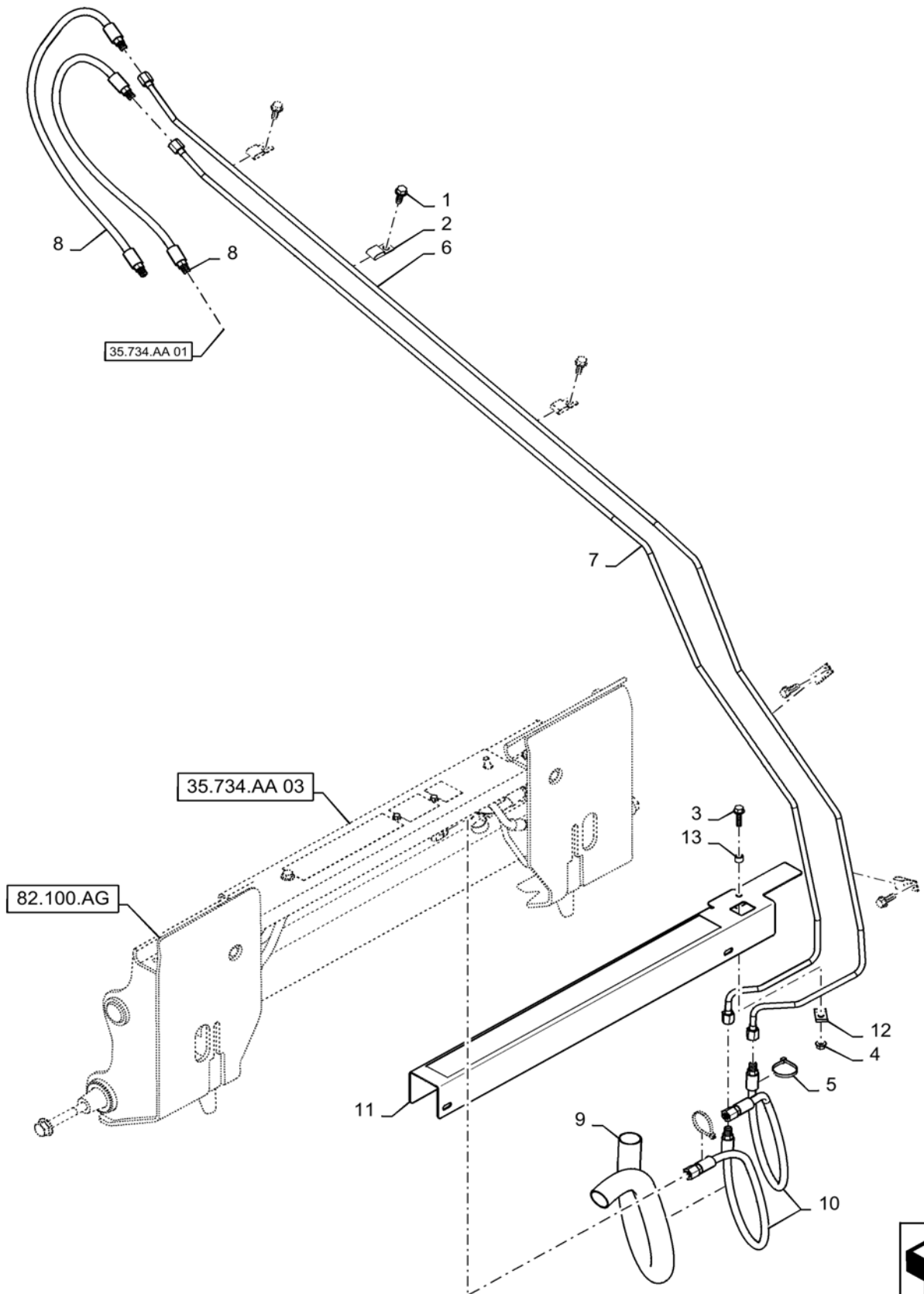
35.734.AA

02

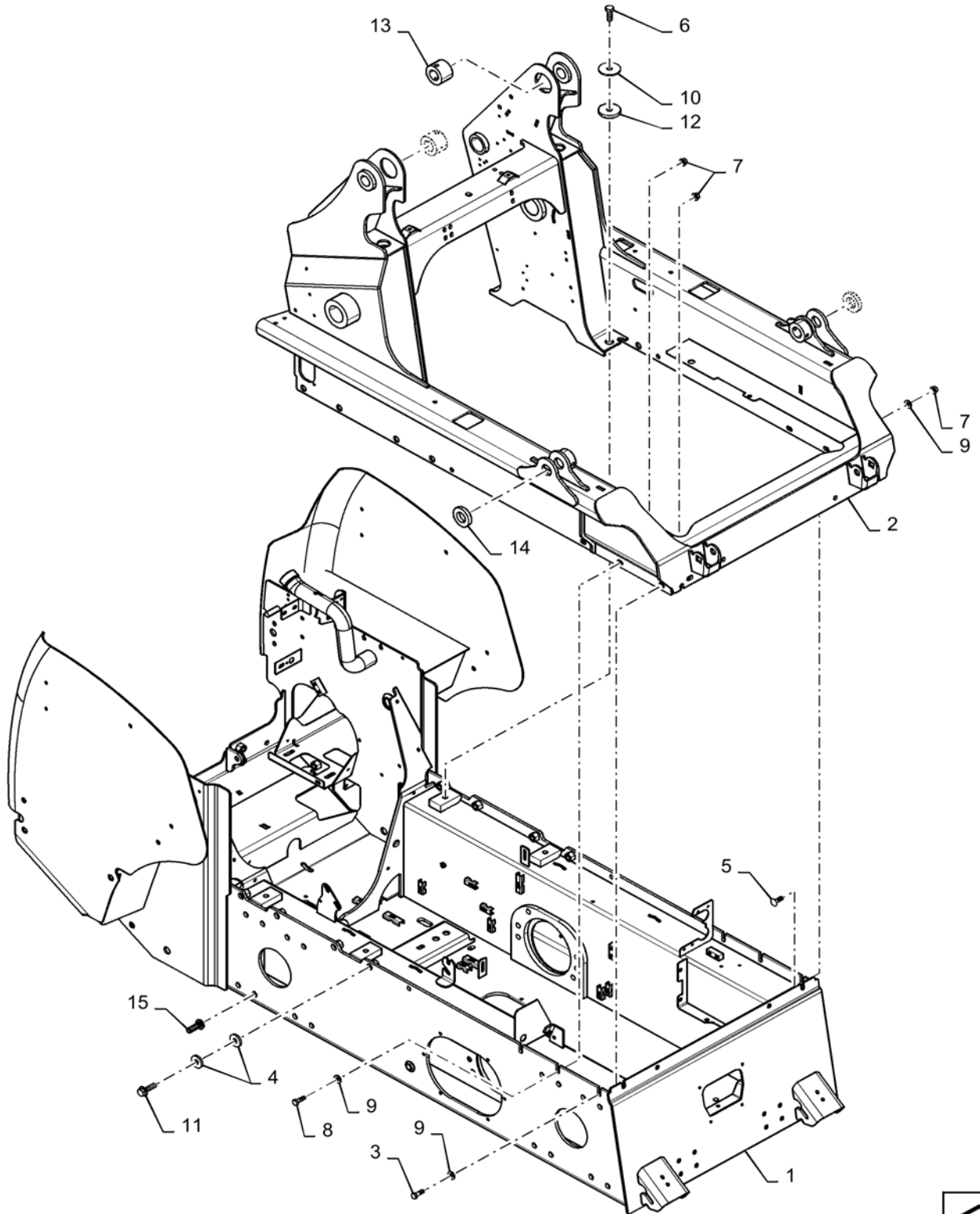
p1

7/2020

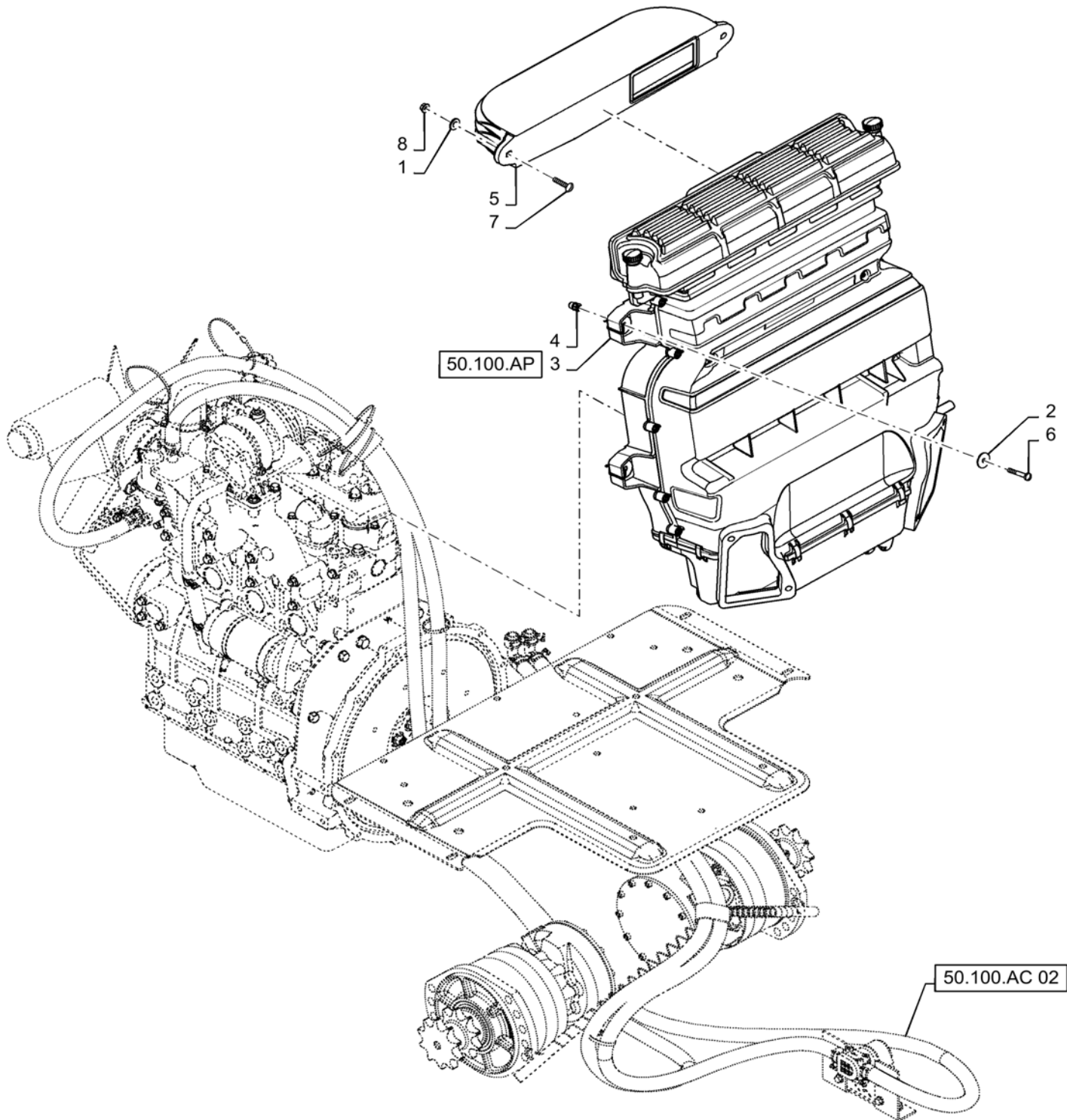
HYDRAULIC COUPLER BOOM ARM PLUMBING



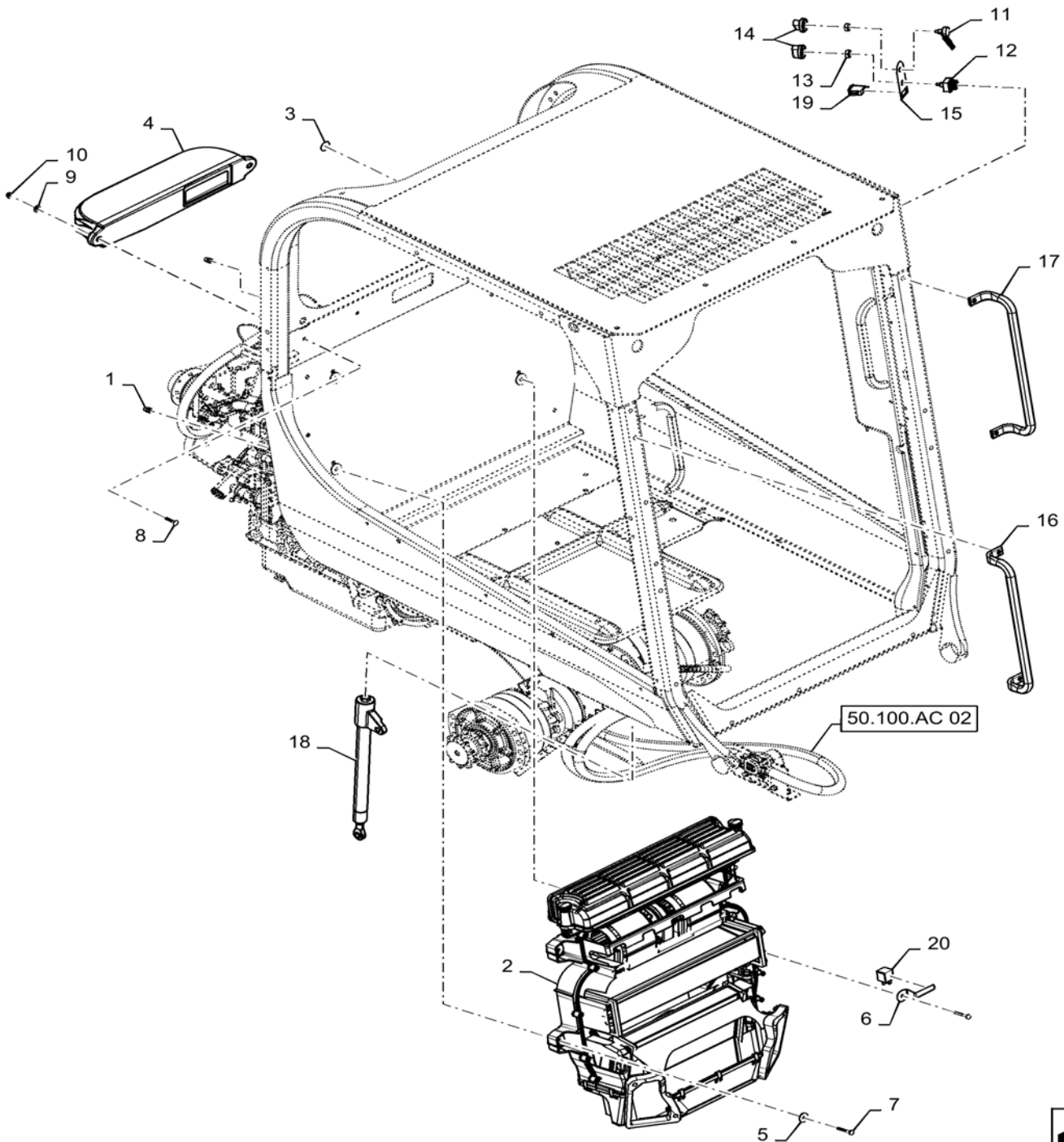
FRAME, CHASSIS



HEATING SYSTEM



CAB COMPONENTS, HEATER W/ AIR CONDITIONING



HVAC completing kit is not available through CNHi. Please contact BIC (Burlington Installation Corp)  
[www.burlingtoninstallation.com/index.htm](http://www.burlingtoninstallation.com/index.htm)

---

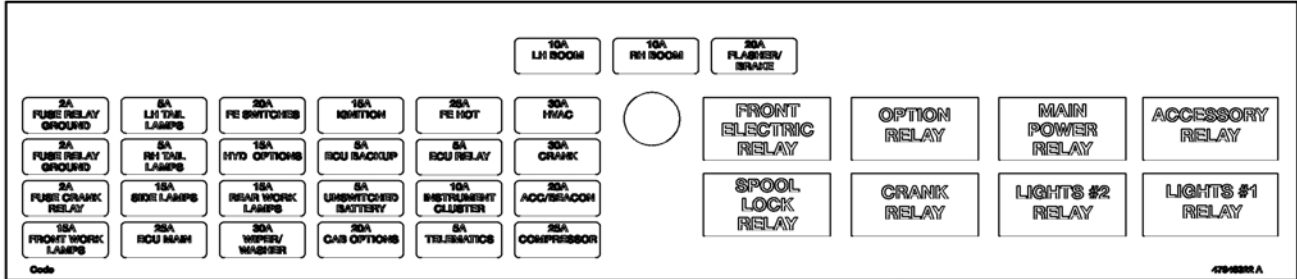
## SECTION INDEX

### ELECTRICAL SYSTEMS

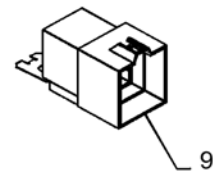
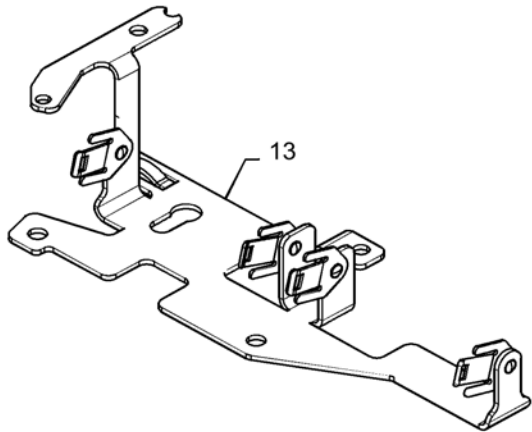
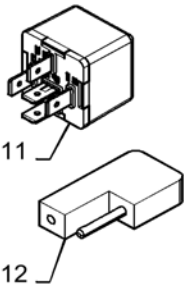
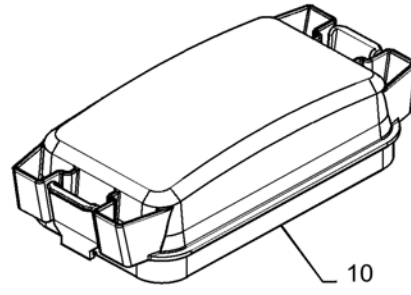
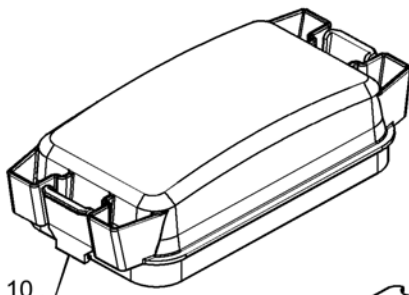
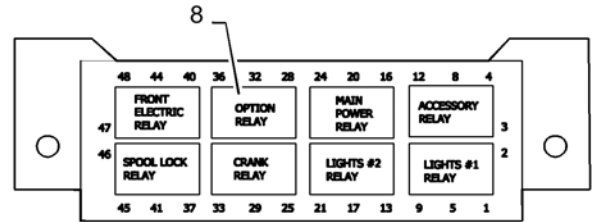
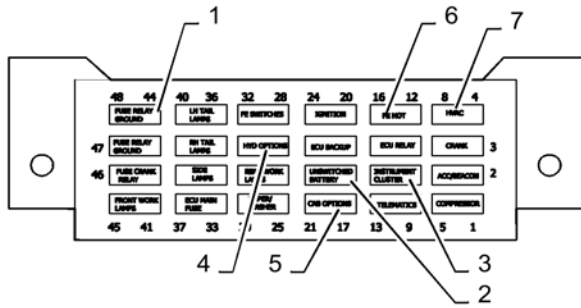
---

55.015.AA		ELECTRONIC CONTROL UNIT
55.015.AA		ENGINE CONTROL UNIT
55.015.AB		ENGINE HARNESS
55.015.AB		ENGINE, HARNESS
55.015.AB		ENGINE, HARNESS
55.015.AC		ENGINE SPEED SENSOR
55.015.AD		ENGINE, SENSOR
55.100.DO		STANDARD 60 AMP FUSE
55.100.DO	01	FUSE & RELAY, MECHANICAL CONTROLS (14-NOV-2016 & NEWER)
55.100.DO	01	FUSE & RELAY, MECHANICAL CONTROLS (14-NOV-2016 & NEWER)
55.100.DO	01	FUSE & RELAY, MECHANICAL CONTROLS (14-NOV-2016 & NEWER)
55.100.DO	01	FUSE & RELAY, MECHANICAL CONTROLS (14-NOV-2016 & NEWER)
55.100.DO	01	FUSE BOX #1, EH & MECHANICAL
55.100.DO	01	FUSE BOX, MECHANICAL CONTROLS
55.100.DO	02	FUSE BOX #2, EH
55.100.DO	03	FUSE BOX #2, EH
55.101.AC		CHASSIS OPTION HARNESS, MECHANICAL CONTROLS ONLY (03-MAR-2012 & NEWER)
55.101.AC	01	WIRE HARNESS & CONNECTOR, MECHANICAL CONTROLS (14-NOV-2016 & NEWER)
55.101.AC	01	WIRE HARNESS & CONNECTOR, MECHANICAL CONTROLS (14-NOV-2016 & NEWER)
55.101.AC	01	WIRE HARNESS & CONNECTOR, MECHANICAL CONTROLS (14-NOV-2016 & NEWER)
55.101.AC	01	WIRE HARNESS & CONNECTOR, MECHANICAL CONTROLS (17-JUN-2015 & PRIOR)
55.101.AC	01	WIRE HARNESS & CONNECTOR, MECHANICAL CONTROLS (18-JUN-2015 THRU 13-NOV-2016)
55.101.AC	01	WIRE HARNESS & CONNECTOR, MECHANICAL CONTROLS (24-AUG-2015 & PRIOR)
55.101.AC	01	WIRE HARNESS & CONNECTOR, MECHANICAL CONTROLS (24-AUG-2015 & PRIOR)
55.101.AC	01	WIRE HARNESS & CONNECTOR, MECHANICAL CONTROLS (25-AUG-2015 THRU 13-NOV-2016)
55.101.AC	01	WIRE HARNESS & CONNECTOR, MECHANICAL CONTROLS (25-AUG-2015 THRU 13-NOV-2016)
55.101.AC	01	WIRE HARNESS & CONNECTOR, MECHANICAL CONTROLS (3-JUN-2015 & PRIOR)
55.101.AC	01	WIRE HARNESS & CONNECTOR, MECHANICAL CONTROLS (4-JUN-2015 & NEWER)
55.101.AC	02	WIRE HARNESS & CONNECTOR, MECHANICAL CONTROLS, OPEN CAB (14-NOV-2016 & NEWER)
55.101.AC	02	WIRE HARNESS & CONNECTOR, MECHANICAL CONTROLS, OPEN CAB (14-NOV-2016 & NEWER)
55.101.AC	02	WIRE HARNESS & CONNECTOR, MECHANICAL CONTROLS, OPEN CAB (14-NOV-2016 & NEWER)
55.101.AC	02	WIRE HARNESS & CONNECTOR, MECHANICAL CONTROLS, OPEN CAB (17-JUN-2015 & PRIOR)
55.101.AC	02	WIRE HARNESS & CONNECTOR, MECHANICAL CONTROLS, OPEN CAB (18-JUN-2015 THRU 13-NOV-2016)

FUSE & RELAY, MECHANICAL CONTROLS (14-NOV-2016 & NEWER)



14



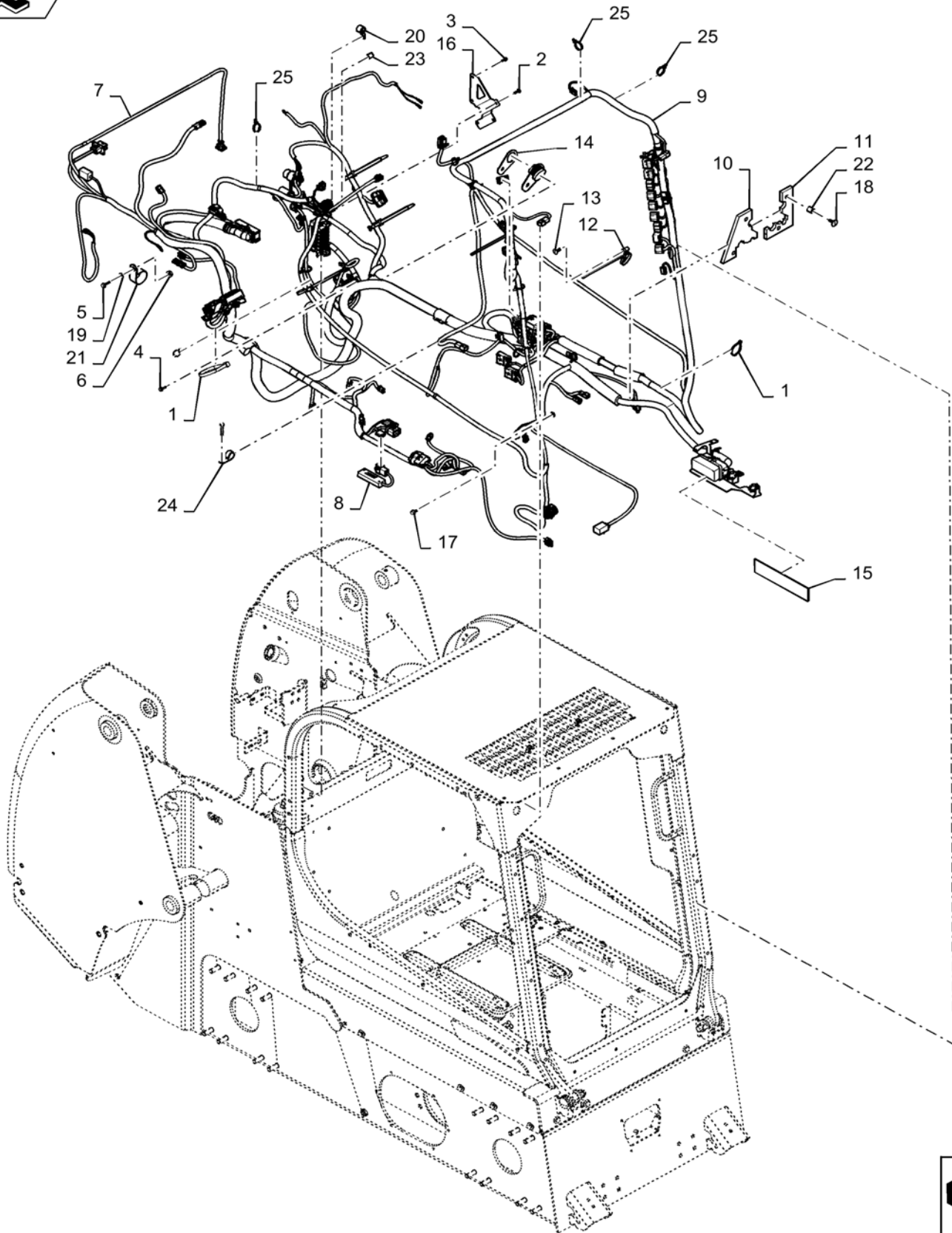
55.101.AC

01

p2

7/2020

WIRE HARNESS & CONNECTOR, MECHANICAL CONTROLS (17-JUN-2015 & PRIOR)



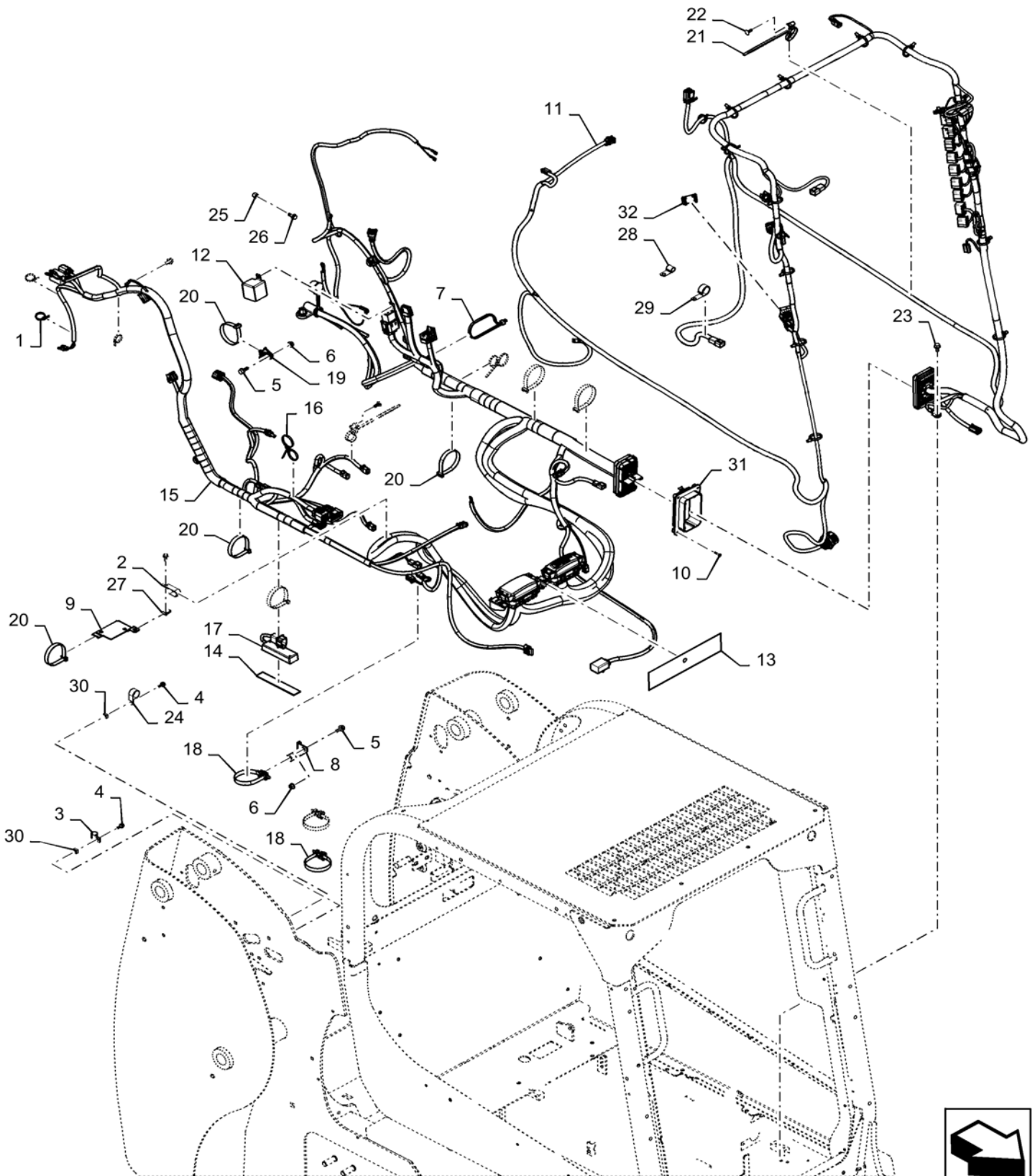
55.101.AC

02

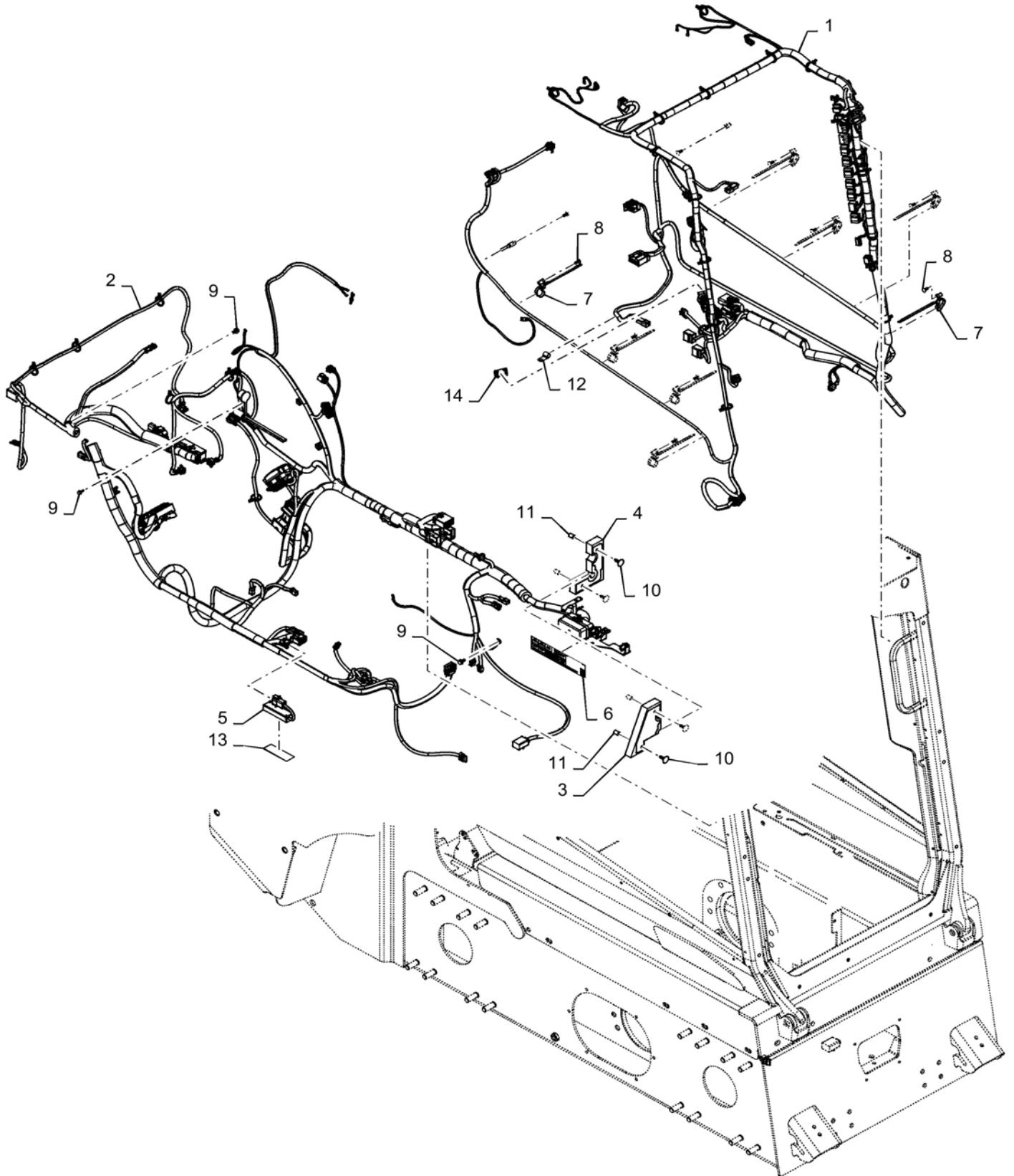
p1

7/2020

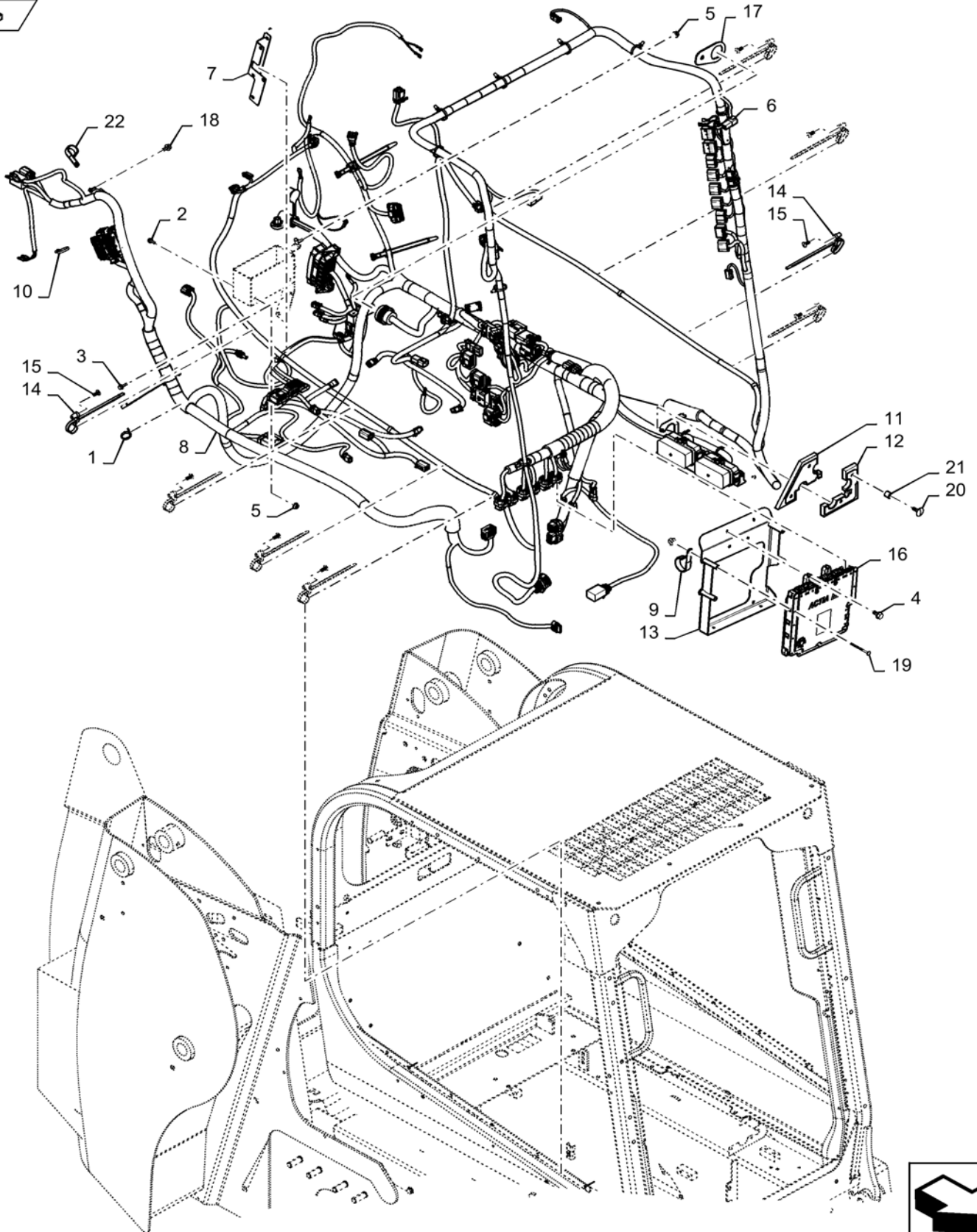
WIRE HARNESS & CONNECTOR, MECHANICAL CONTROLS, OPEN CAB (14-NOV-2016 & NEWER)



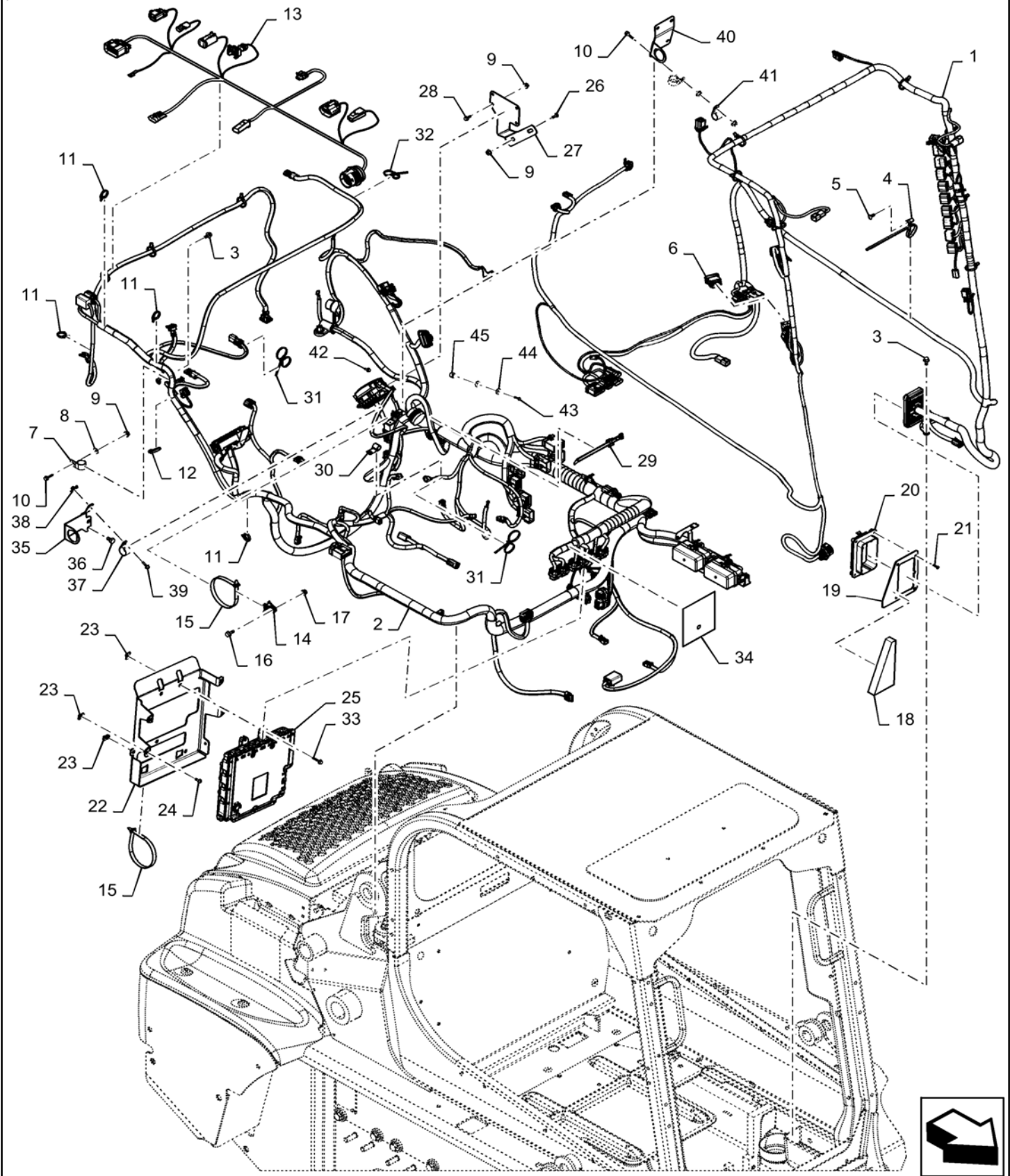
WIRE HARNESS & CONNECTOR, MECHANICAL CONTROLS, OPEN CAB (3-JUN-2015 & PRIOR)



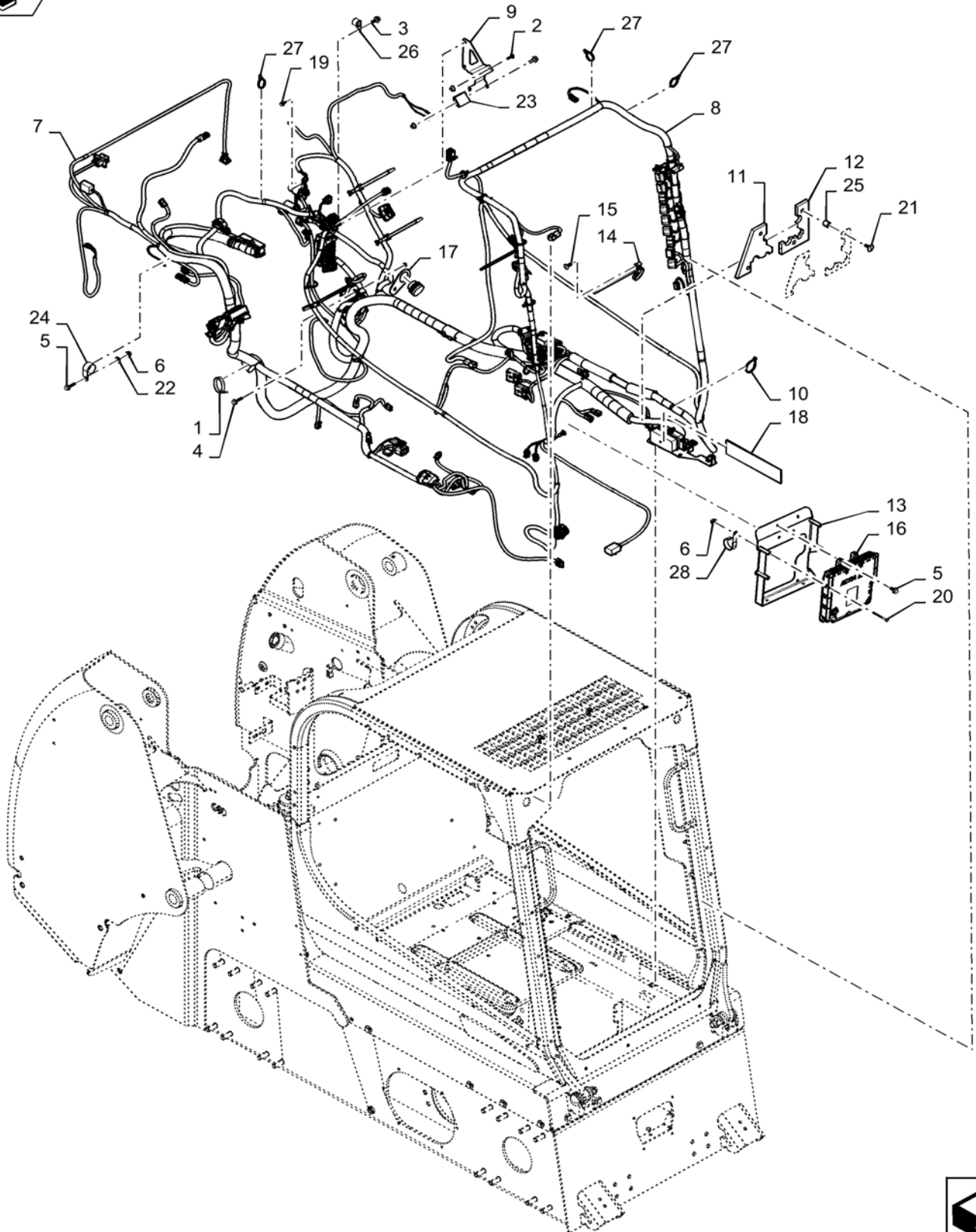
WIRE HARNESS & CONNECTOR, ELECTRONIC CONTROLS (24-AUG-2015 & PRIOR)



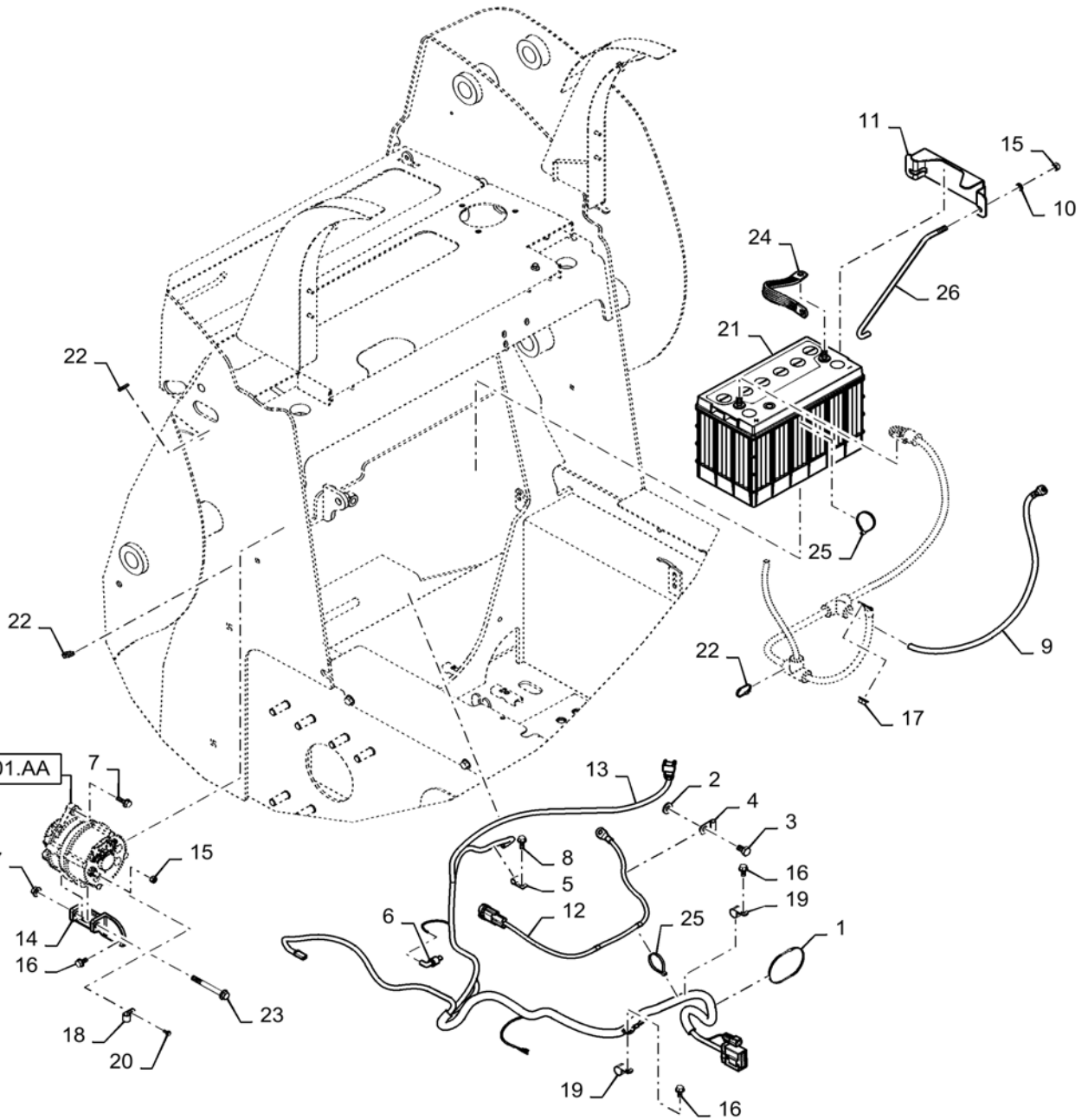
WIRE HARNESS & CONNECTOR, ELECTRONIC CONTROLS, OPEN CAB (23-MAY-2015 THRU 13-NOV-2016)



WIRE HARNESS & CONNECTOR, ELECTRONIC CONTROLS, OPEN CAB(22-MAY-2015 & PRIOR)



BATTERY & CABLE



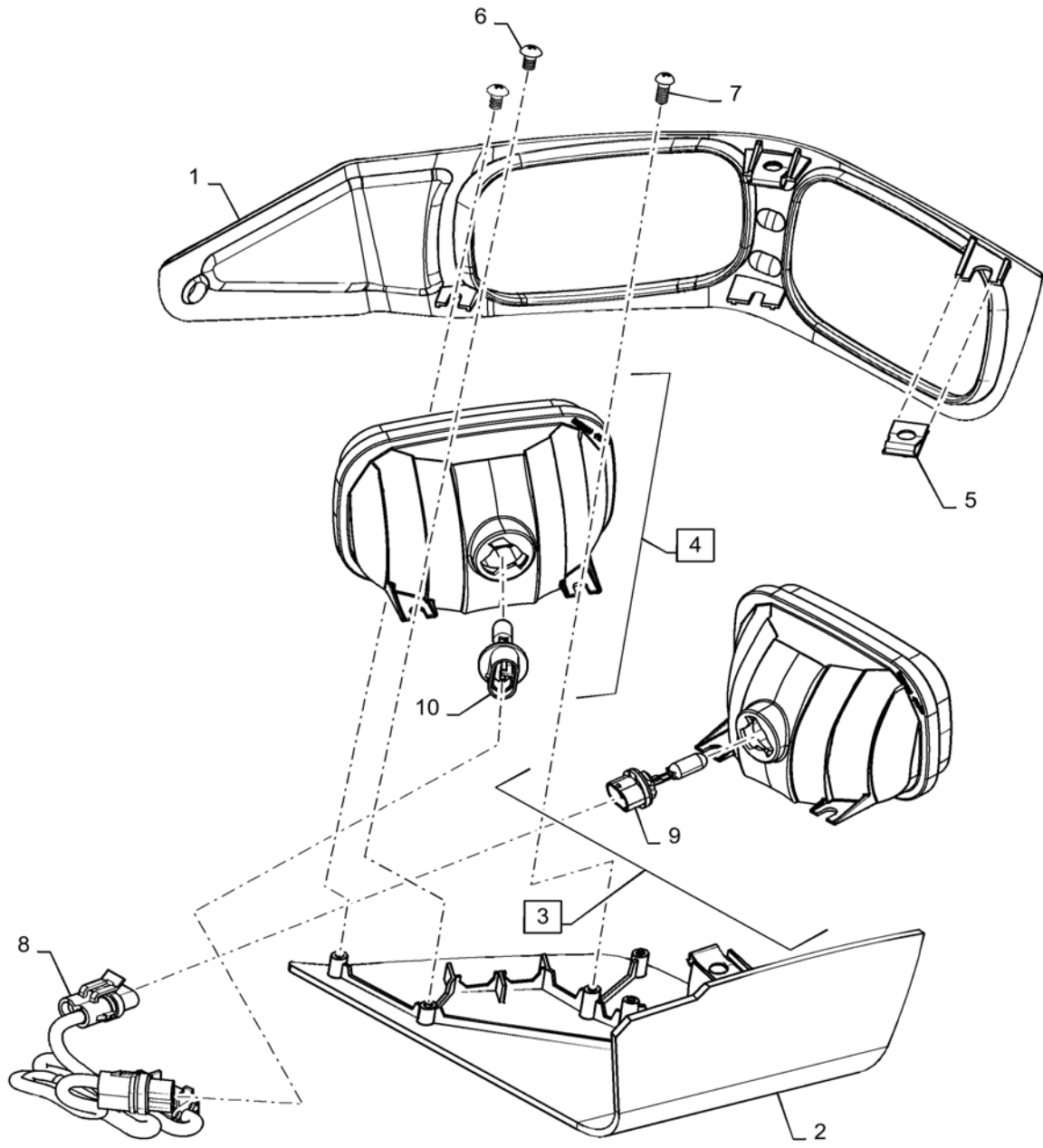
55.404.AL

02

p1

7/2020

STANDARD , FRONT LIGHT, LH



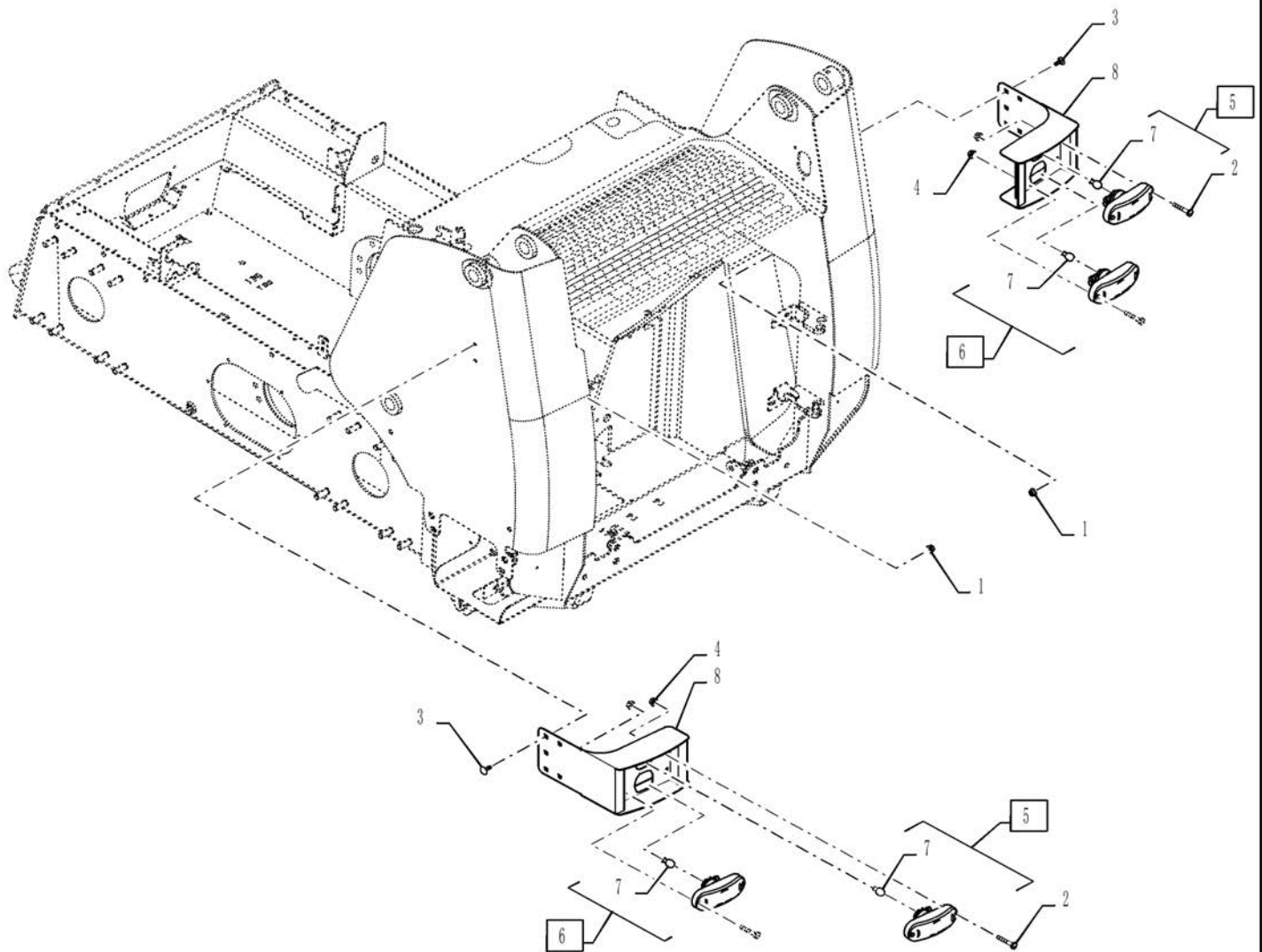
55.404.CY

02

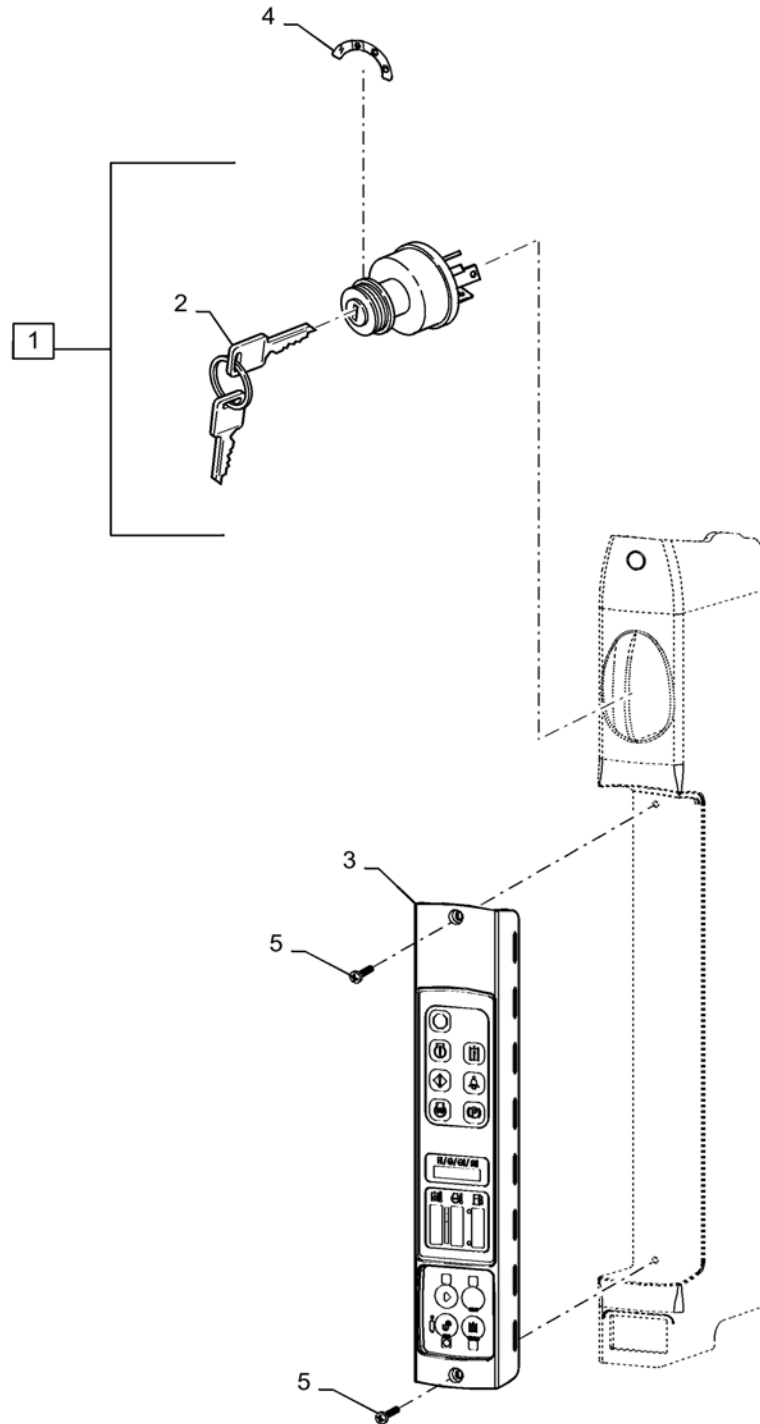
p1

7/2020

EU REAR LIGHT, ROAD LIGHT



INSTRUMENT CLUSTER AND KEYED IGNITION, OPEN CAB



55.512.CL

05

p1

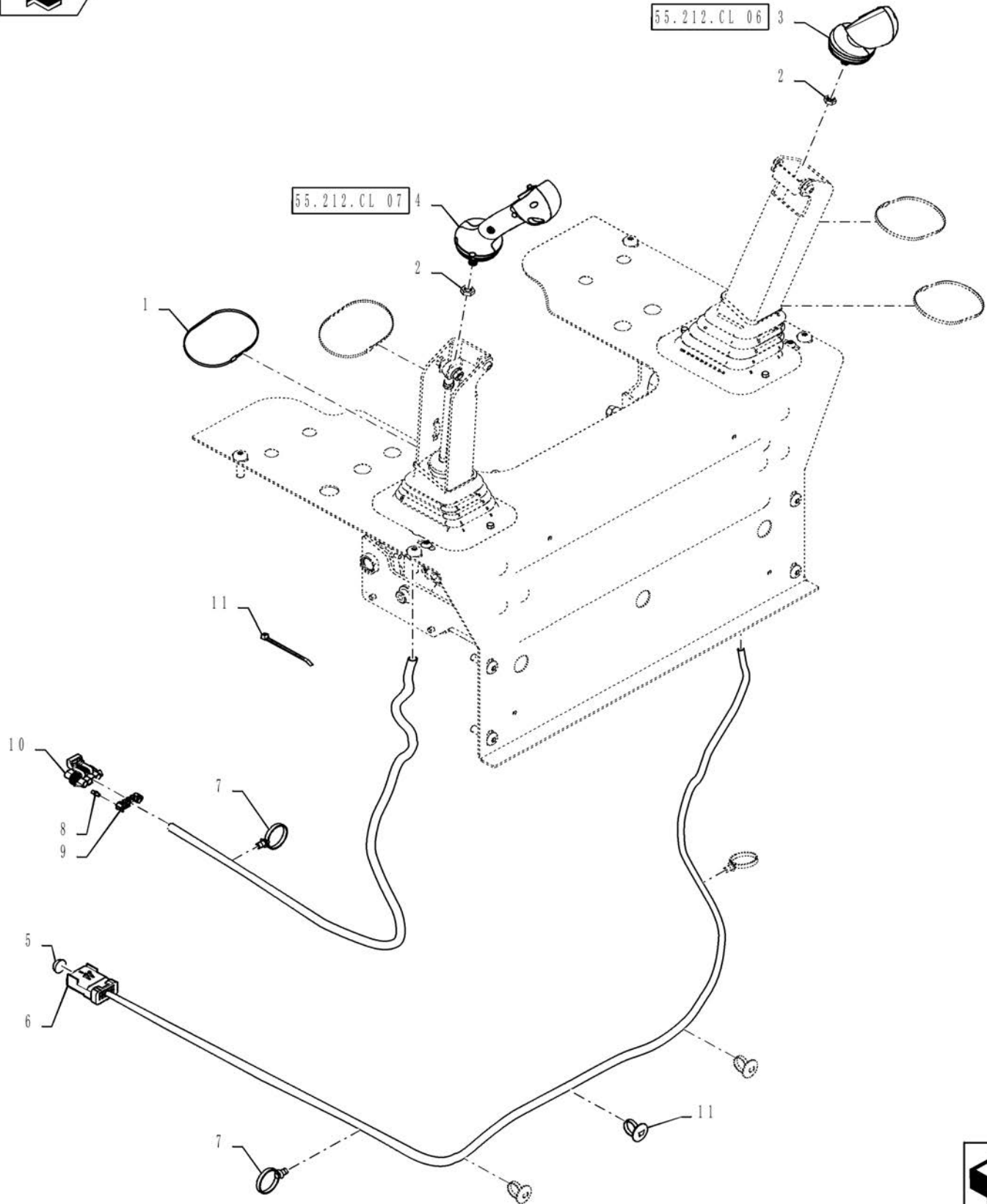
7/2020

LEVEL 100 HANDLE GRIPS, 1-SPEED MECHANICAL CONTROLS

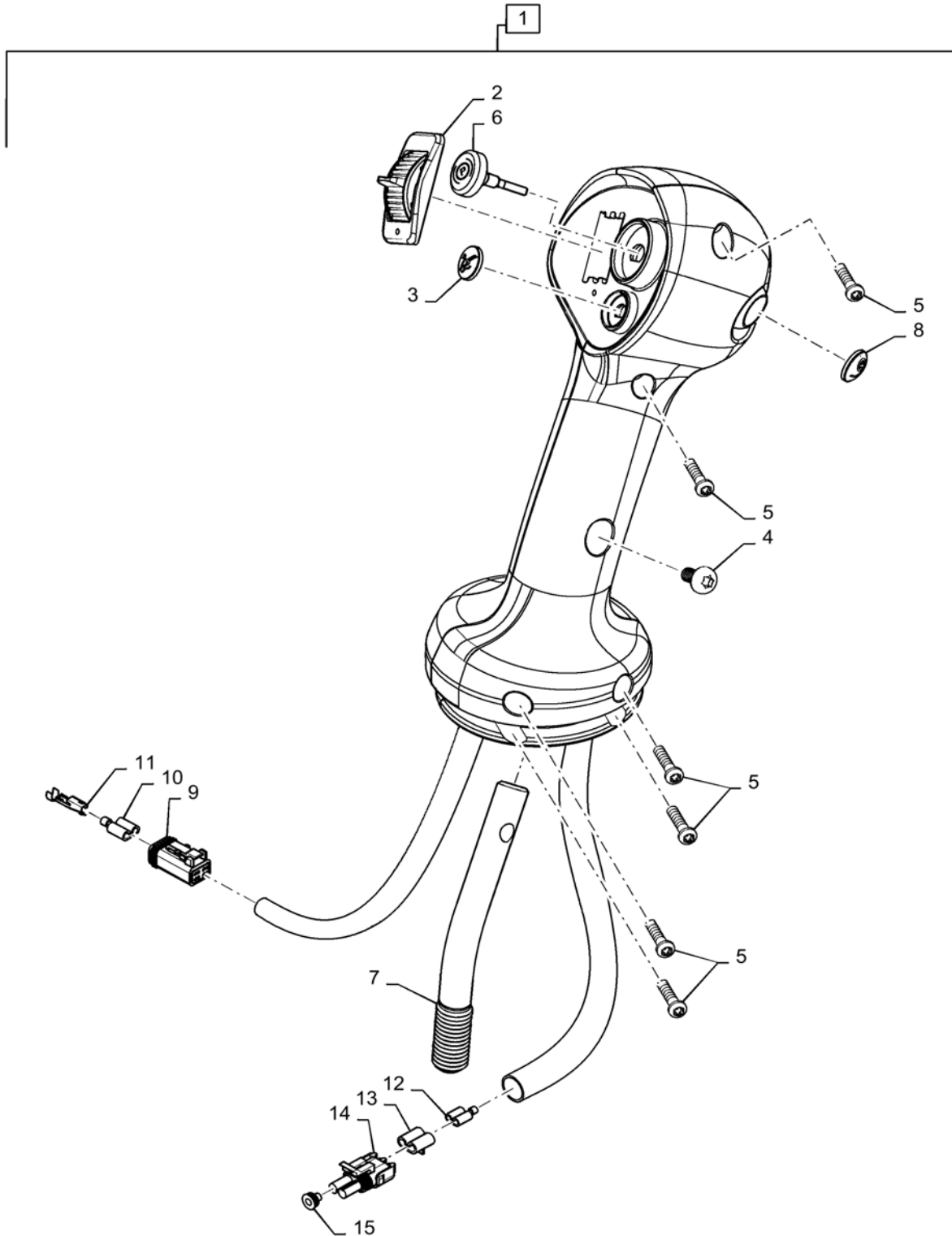


55.212.CL 06

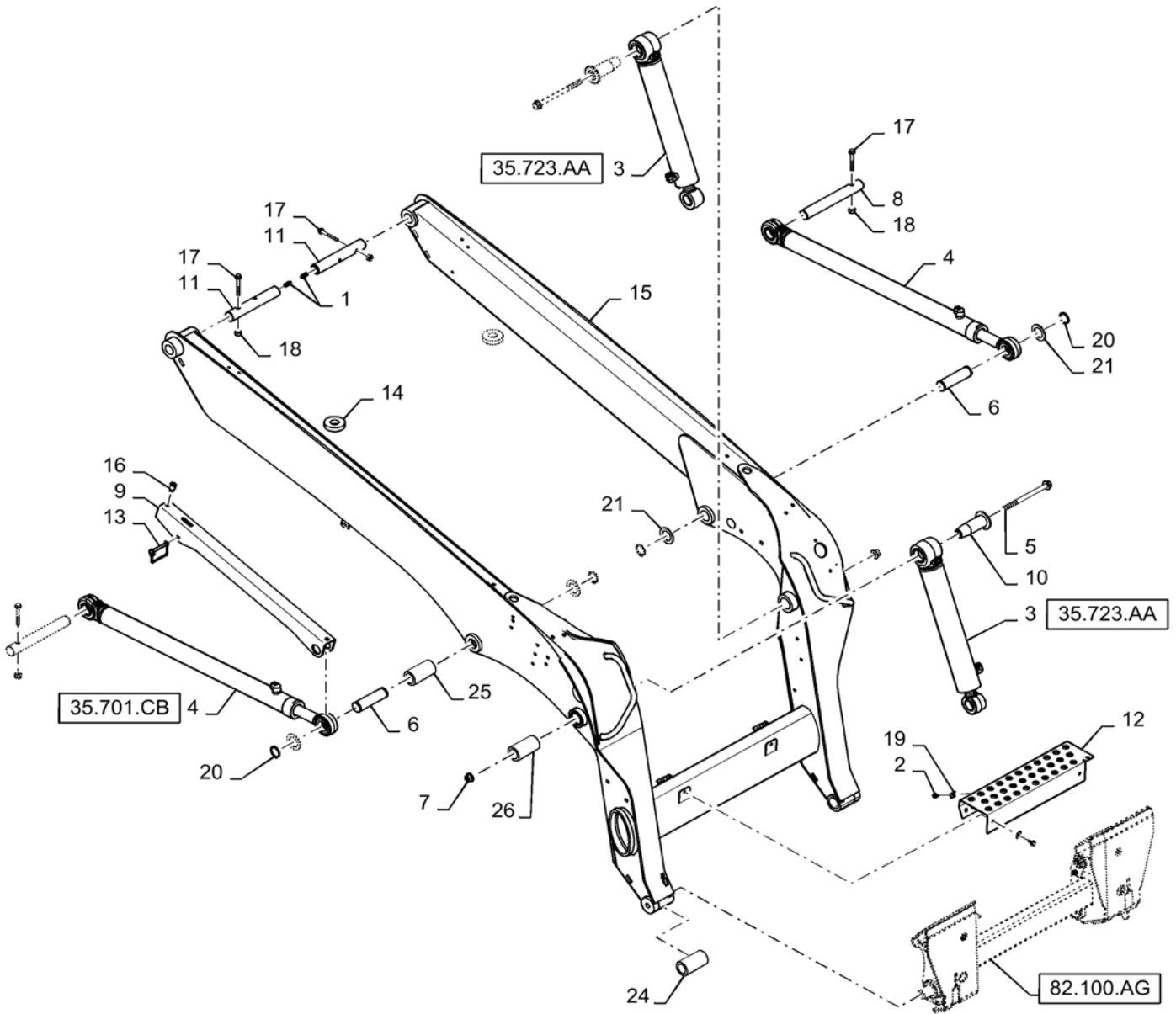
55.212.CL 07



LEVEL 250 HANDLE GRIP, RH



LOADER ARM



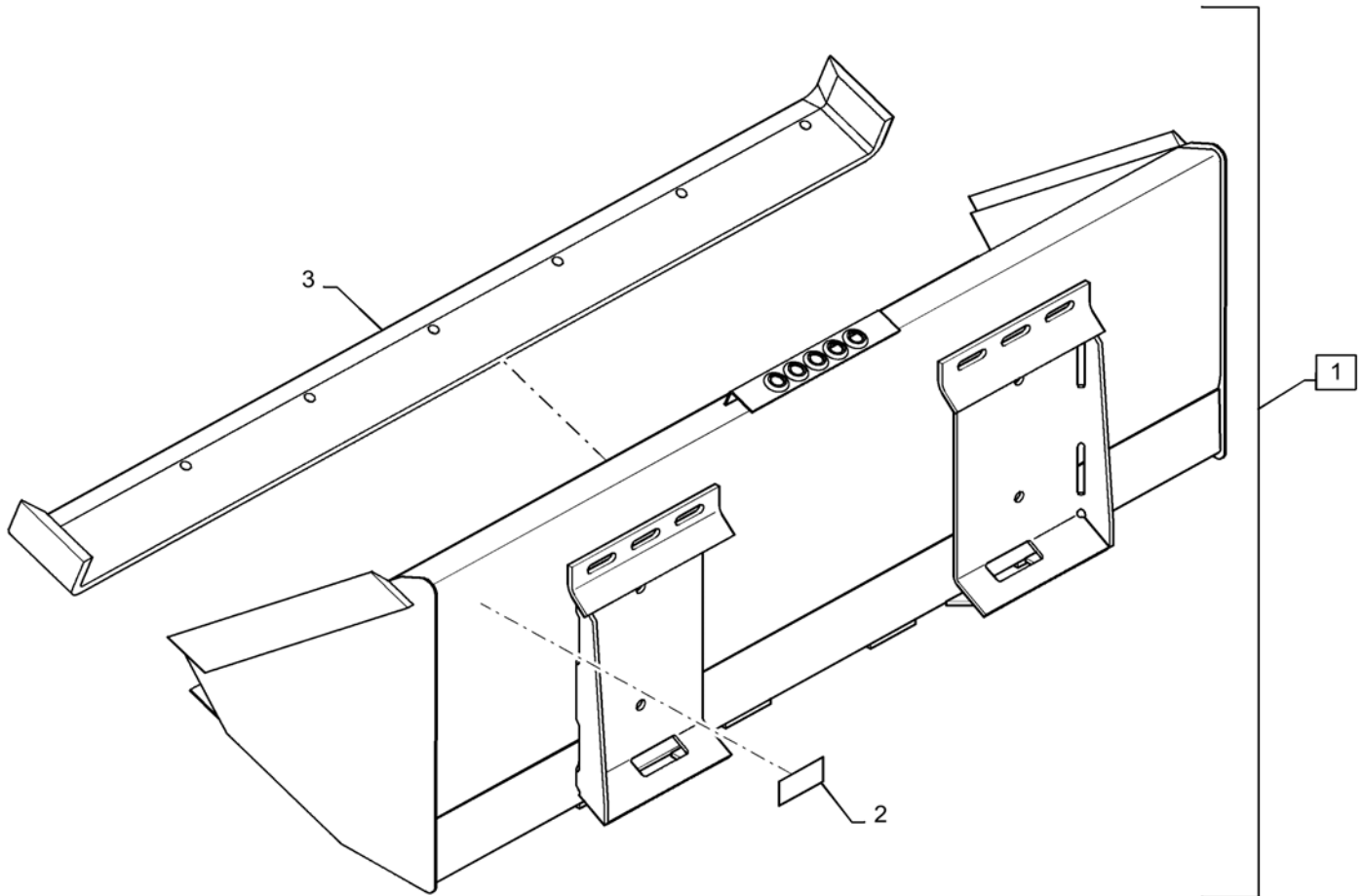
82.300.AN

01

p1

7/2020

BUCKET, 60", DIRT AND FOUNDRY, GRAY



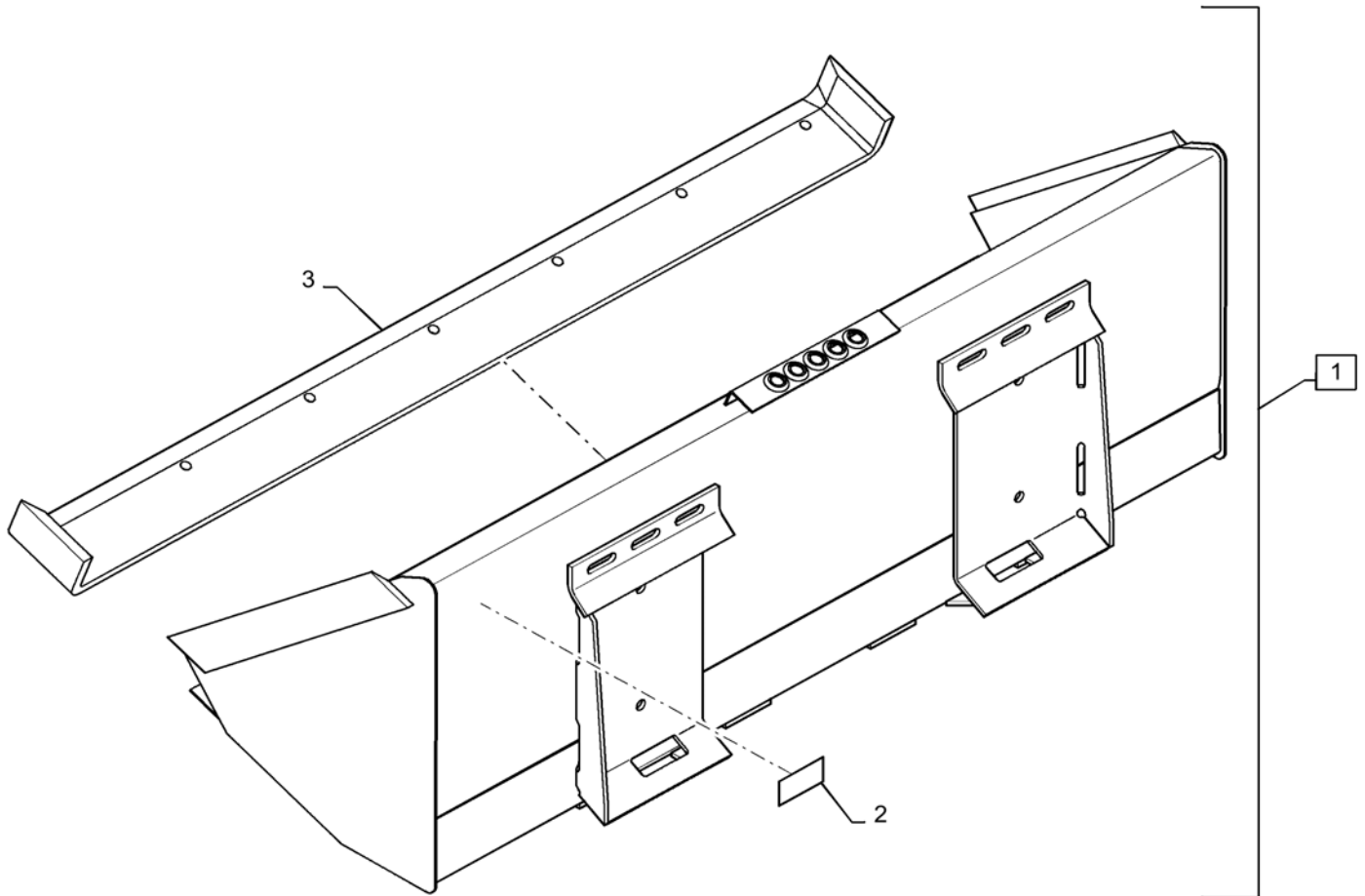
82.300.AN

13

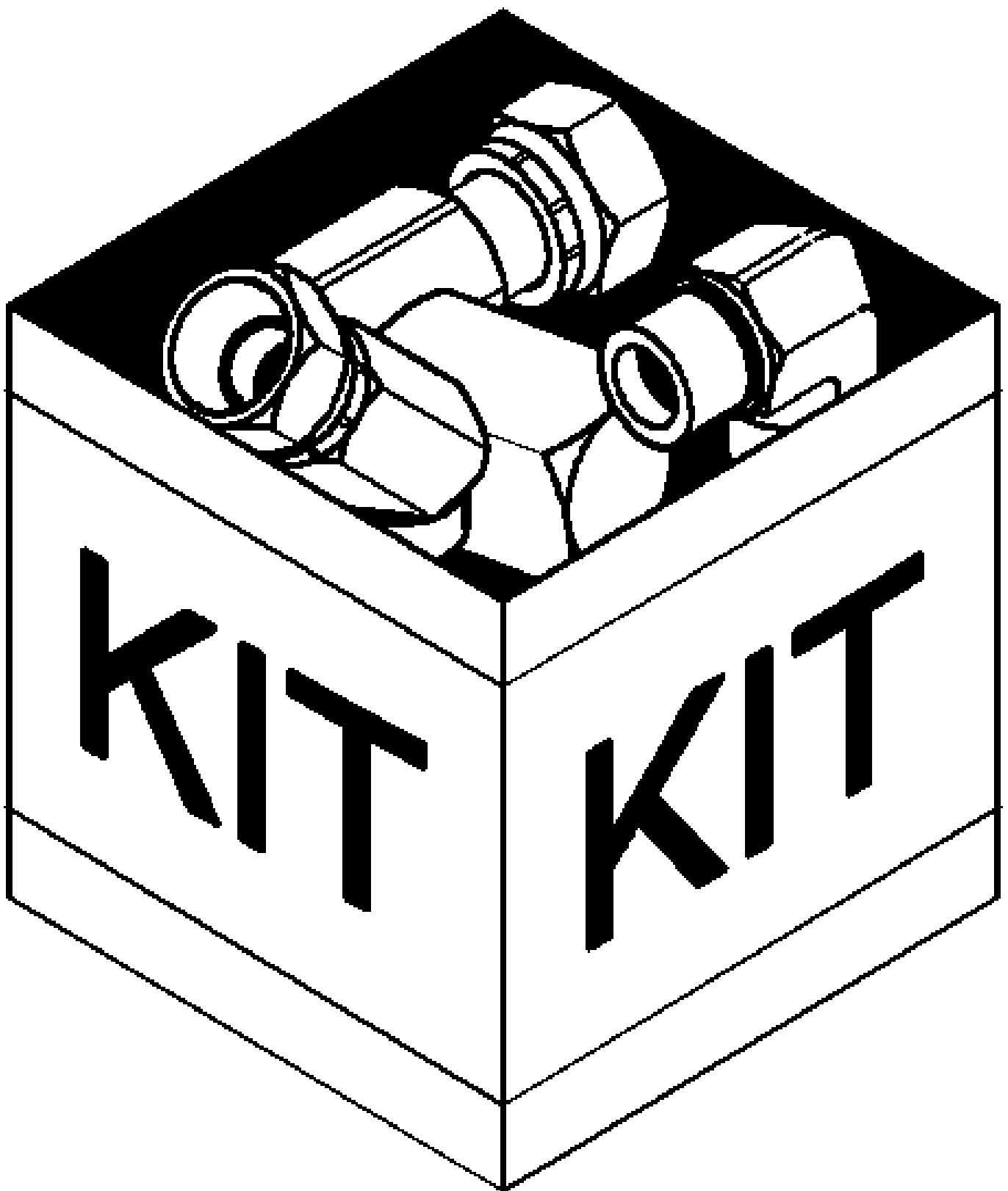
p1

7/2020

BUCKET, 72", DIRT AND FOUNDRY, GRAY



KIT SSL QUICK ATTACH LATCHES



CLICK HERE TO **DOWNLOAD** THE COMPLETE MANUAL

- Thank you very much for reading the preview of the manual.
- You can download the complete manual from: [www.heydownloads.com](http://www.heydownloads.com) by clicking the link below



- Please note: If there is no response to CLICKING the link, please download this PDF first and then click on it.

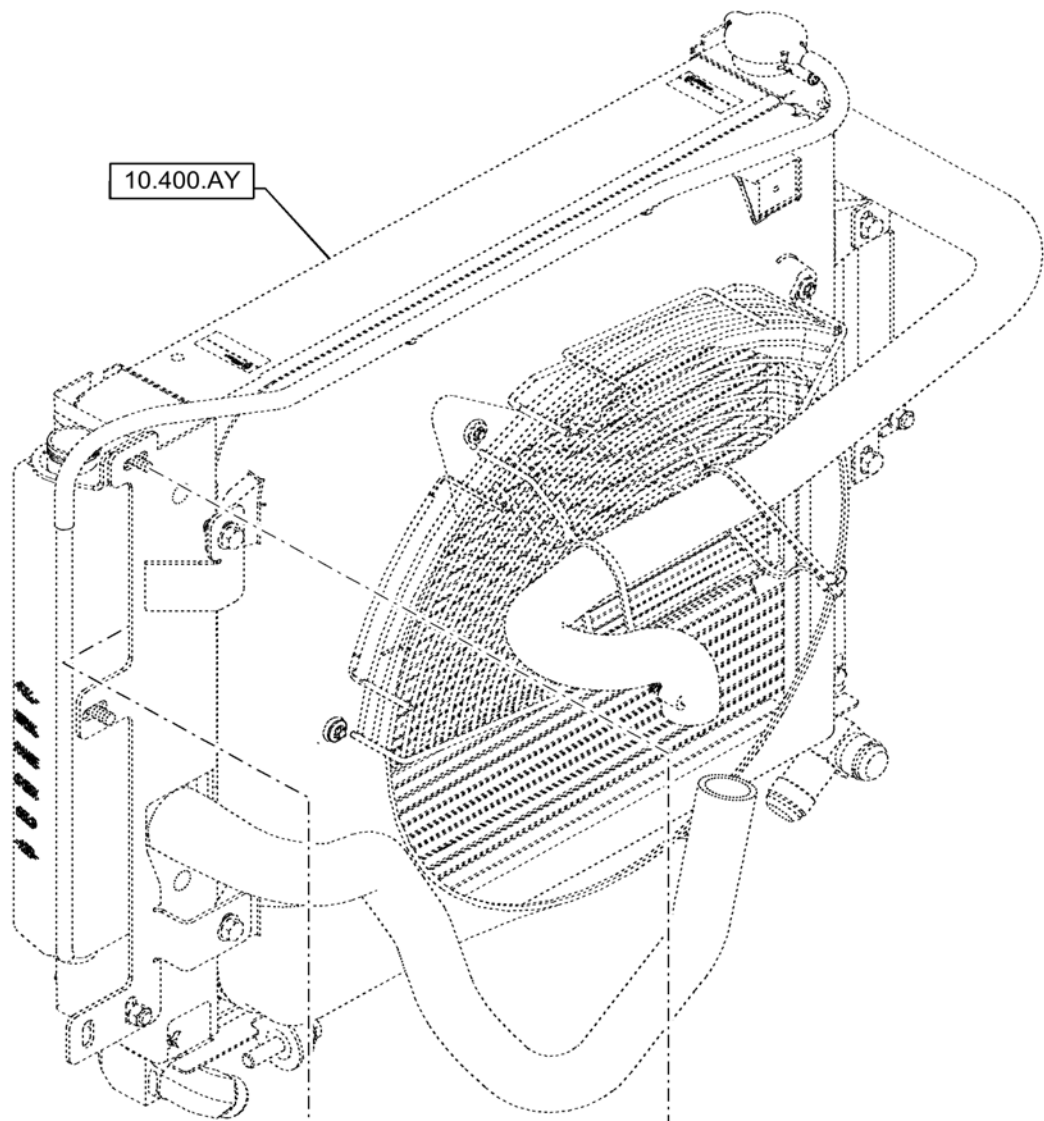
CLICK HERE TO **DOWNLOAD** THE COMPLETE MANUAL

88.010.02

p1

7/2020

DIA KIT, BLOCK HEATER 230V ISM EURO



1

3



2

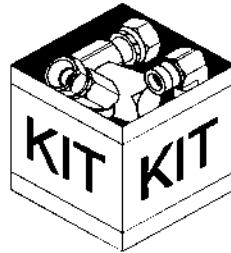


5

4



DIA KIT, SM FRM FOOT CONTROLS, MANUAL



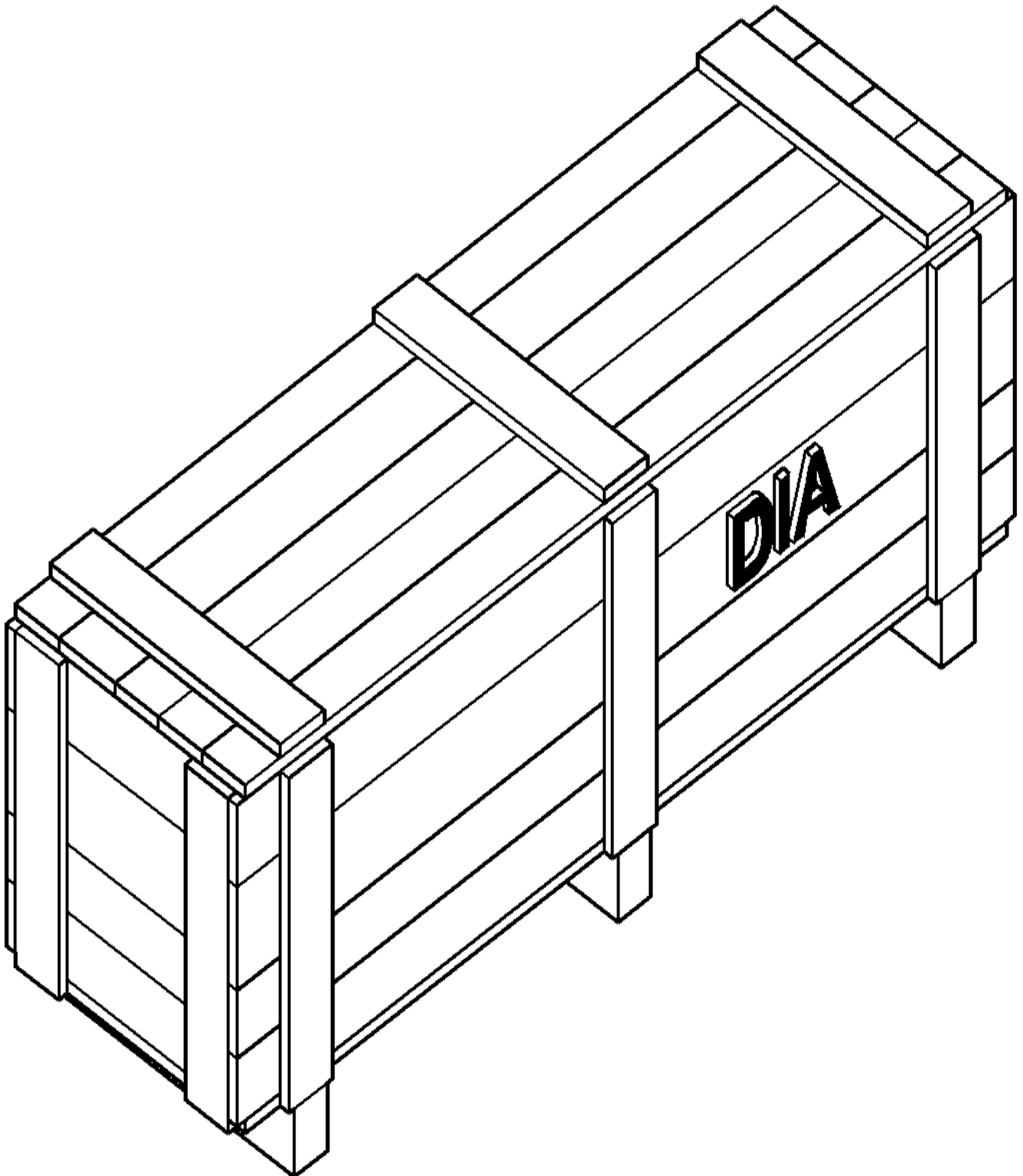
**88.035.10**

04

p1

7/2020

SELF-LEVELING

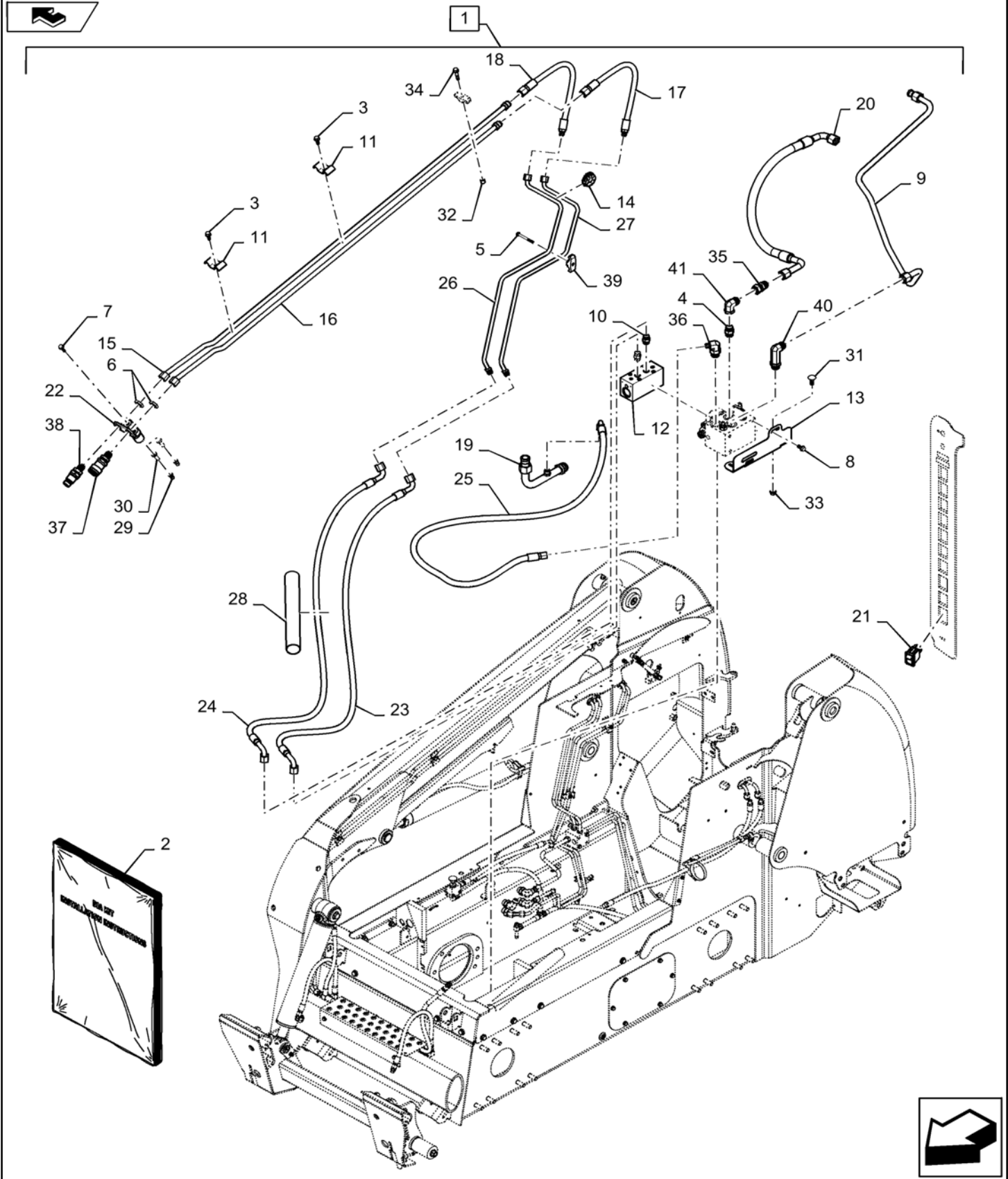


88.035.16

p1

7/2020

DIA KIT, 2ND FRONT HYD AUX- MED RAD



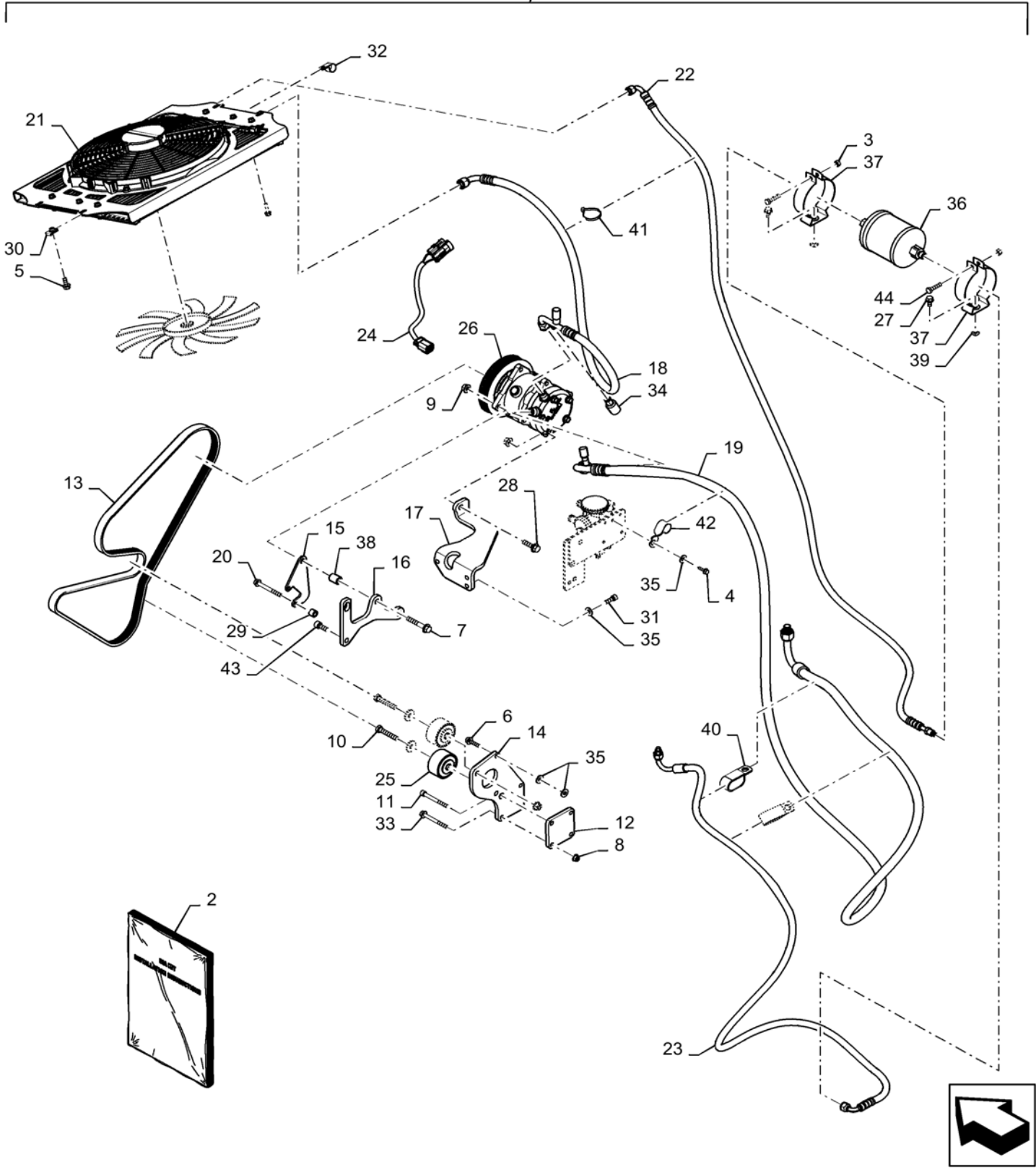
88.050.10

p1

7/2020

DIA KIT, ISM AC PLUMBING

1

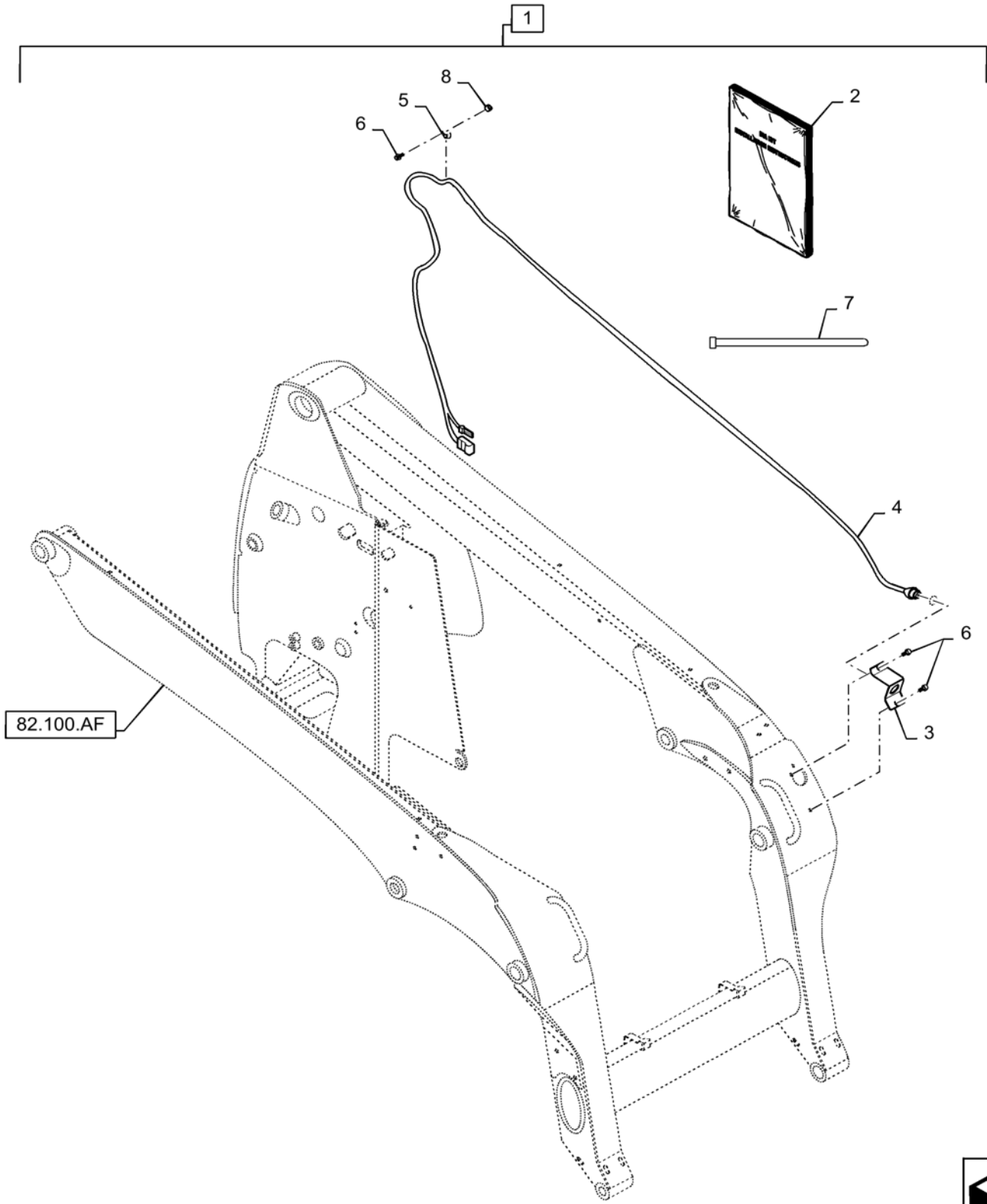


88.055.06

p1

7/2020

DIA KIT, MULTIFUNCTION ELECTRICAL, MECHANICAL CONTROLS, RADIAL BOOM



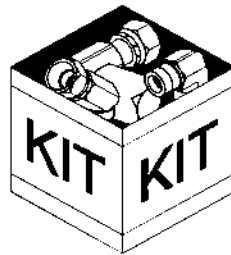
**88.088.02**

03

p1

7/2020

DIA KIT, SINGLE PT MED VERT

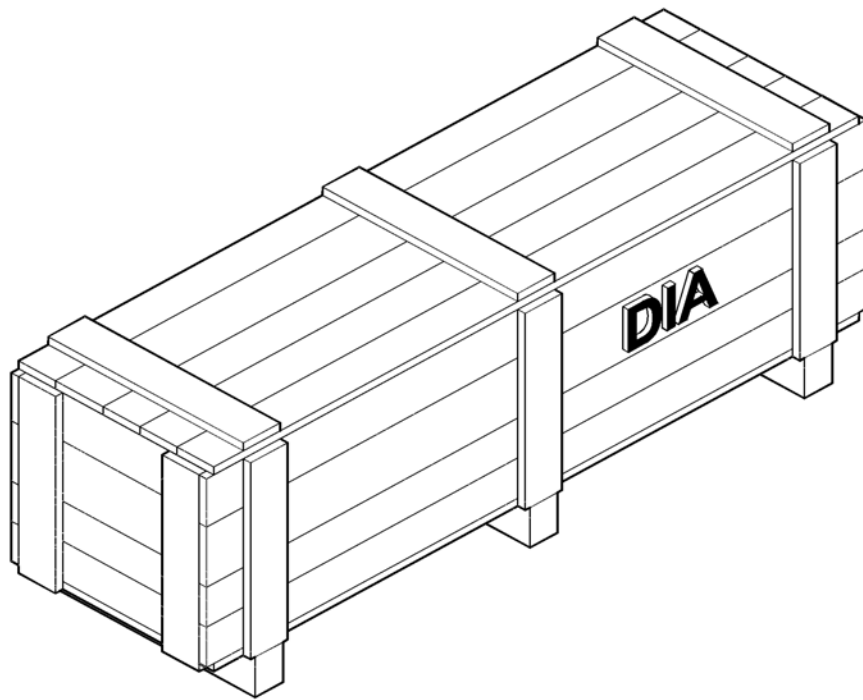


**88.090.020**

p1

7/2020

KIT, SMALL FRAME HAND CONTROLS, MANUAL

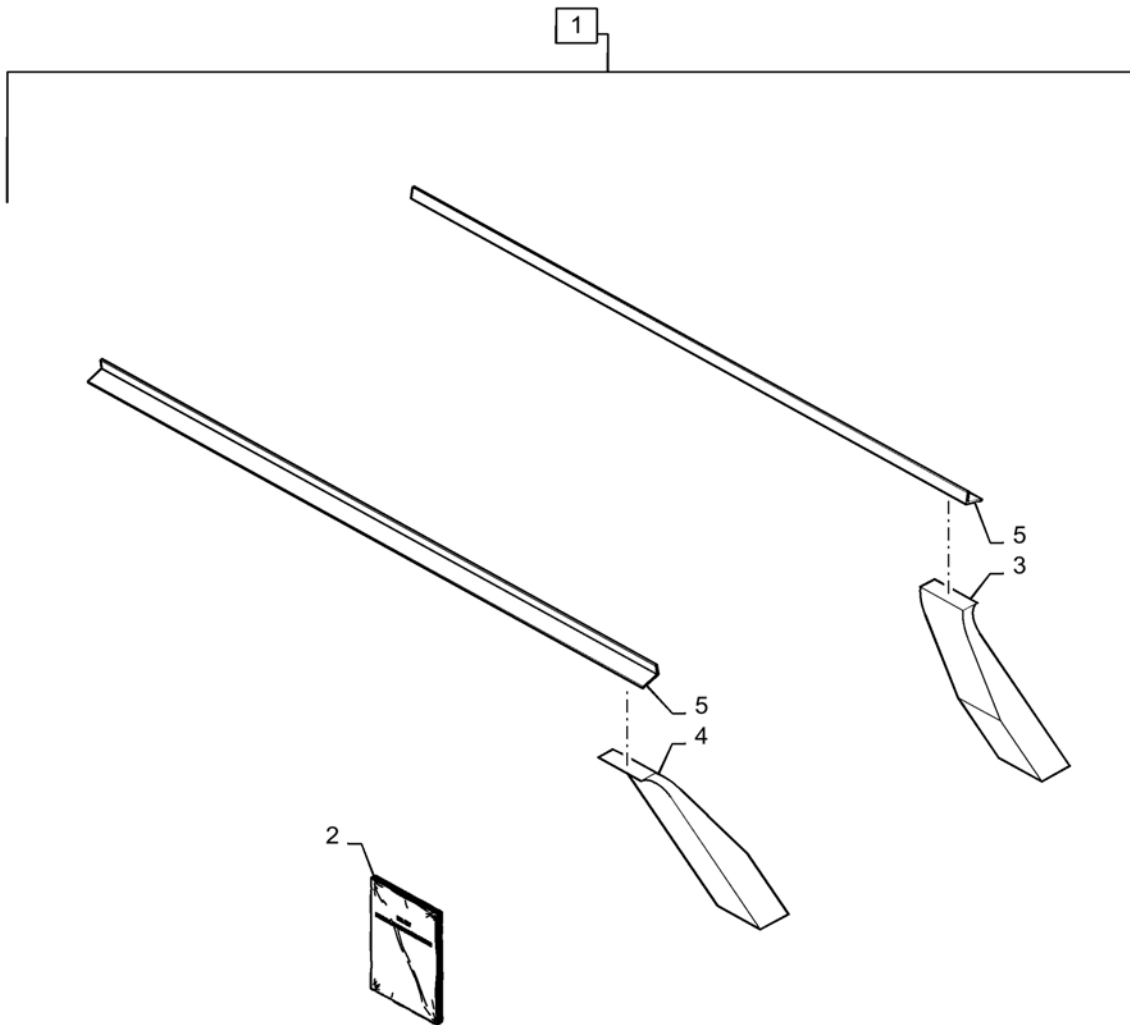


88.090.11

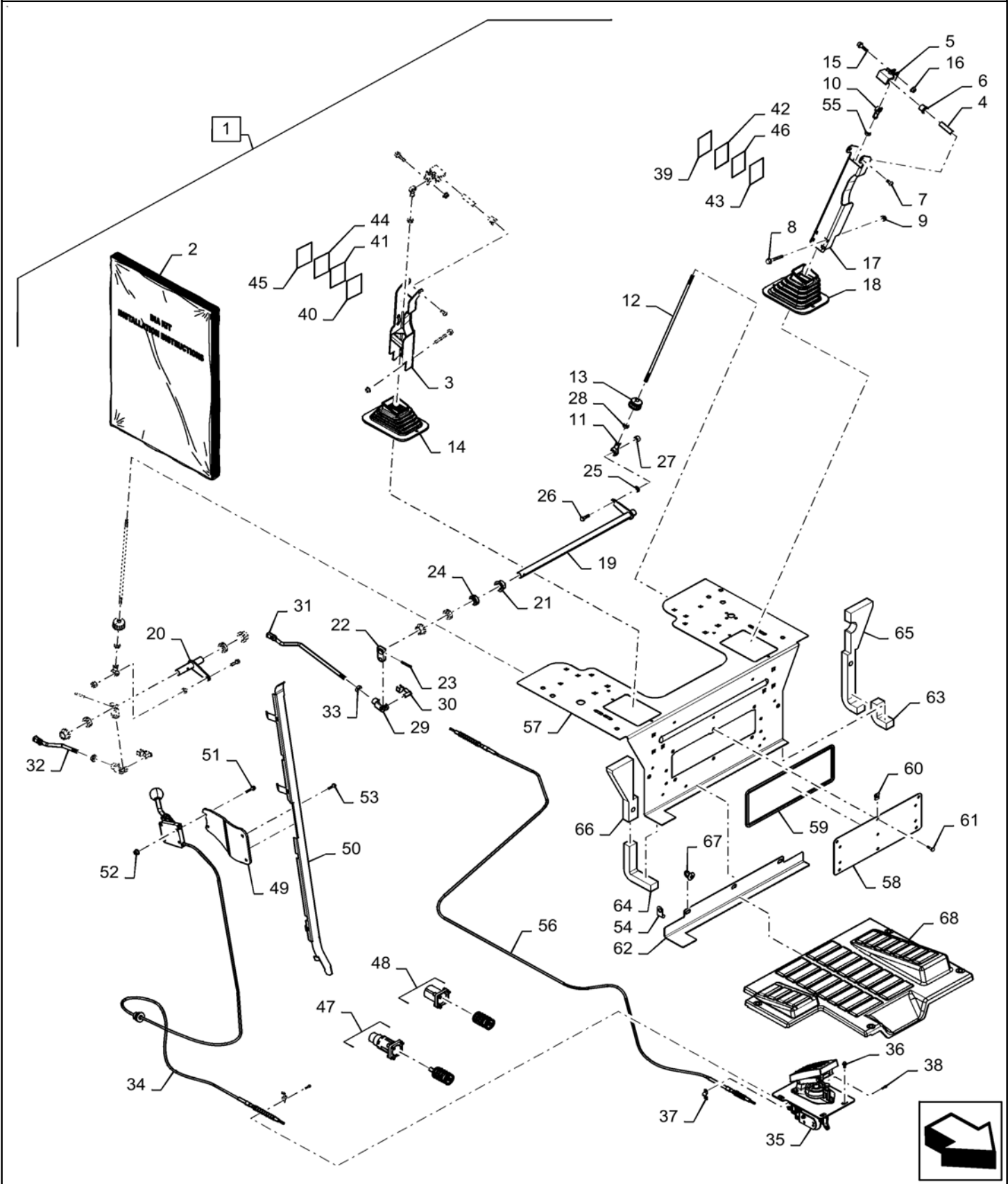
p1

7/2020

DIA, KIT, CAB, SEAL, SIDES



DIA KIT, HAND CONTROLS



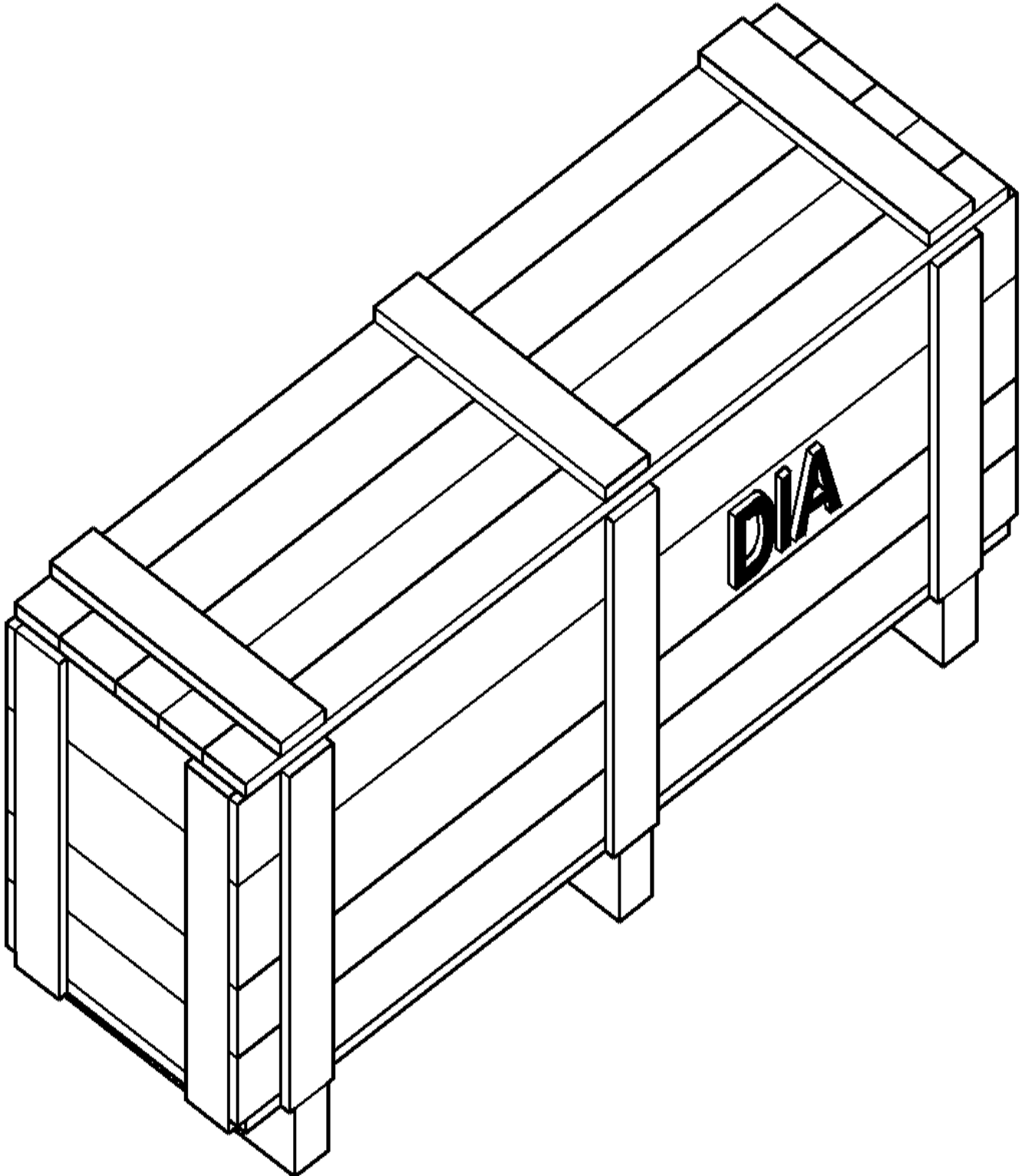
**88.100.50**

01

p2

7/2020

DIA KIT, COMPLETE HEAT



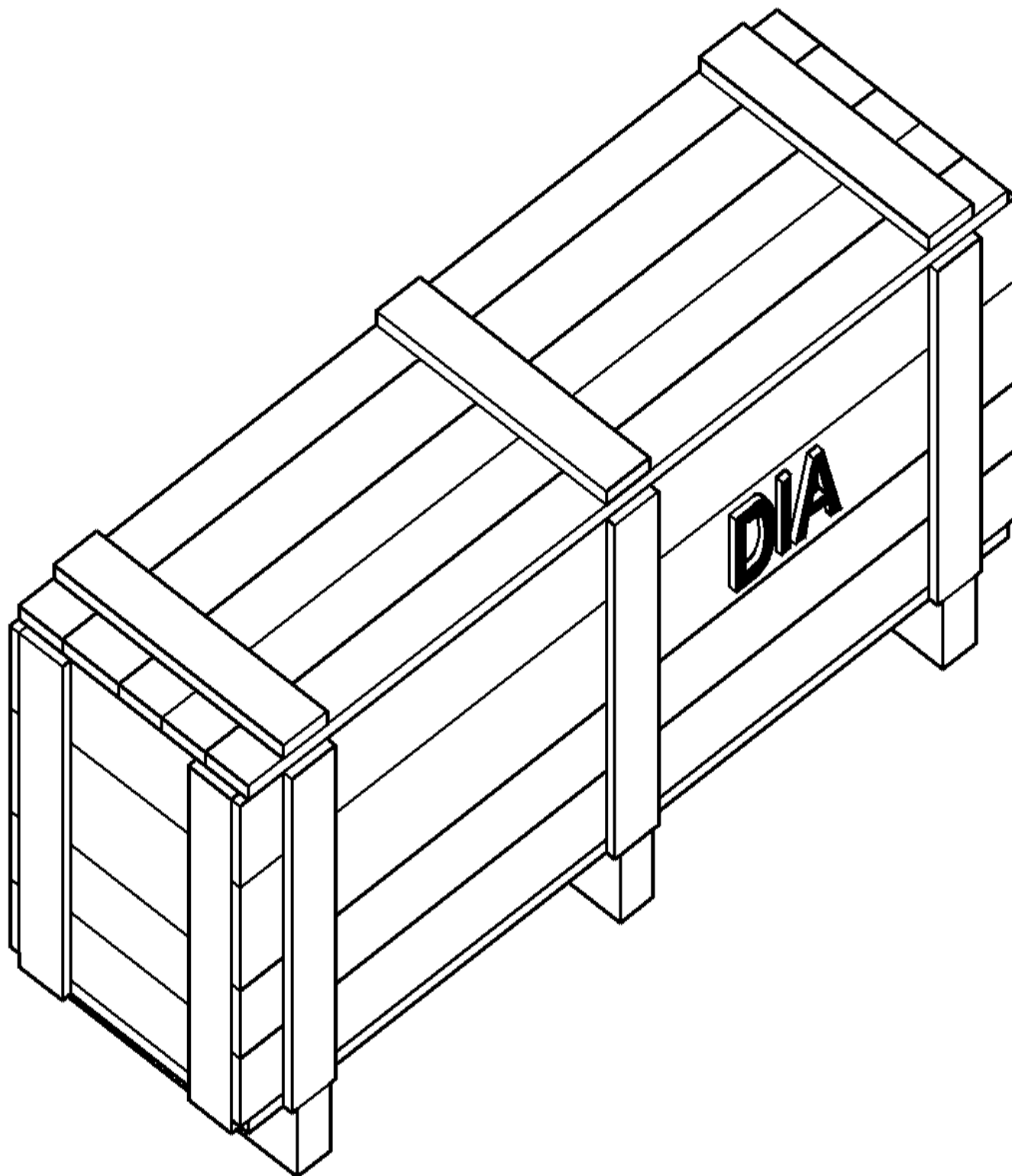
**88.100.50**

02

p1

7/2020

DIA KIT, COMPLETE HVAC



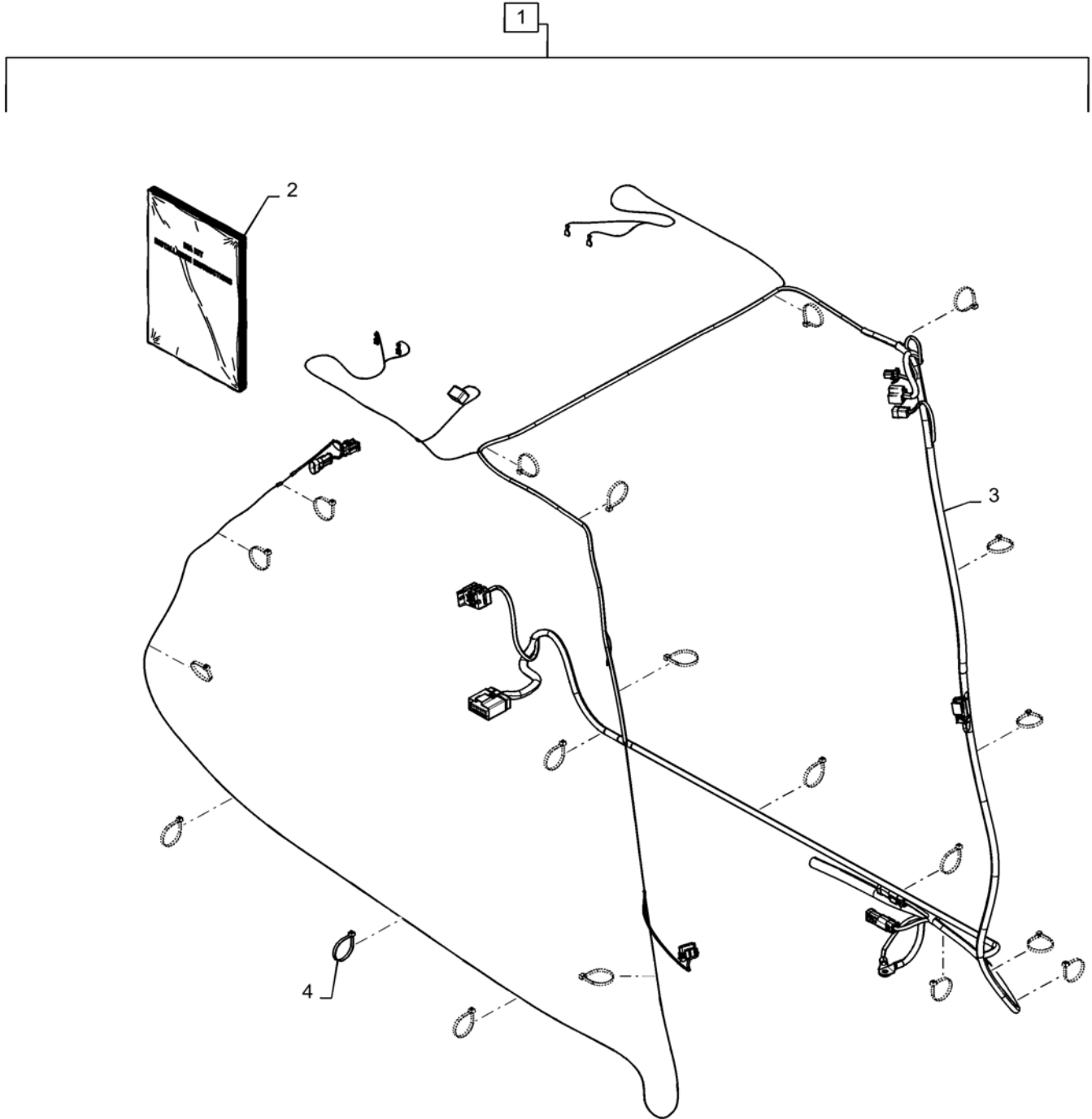
88.100.55

01

p1

7/2020

DIA KIT, MECHANICAL JUMPER HARNESS



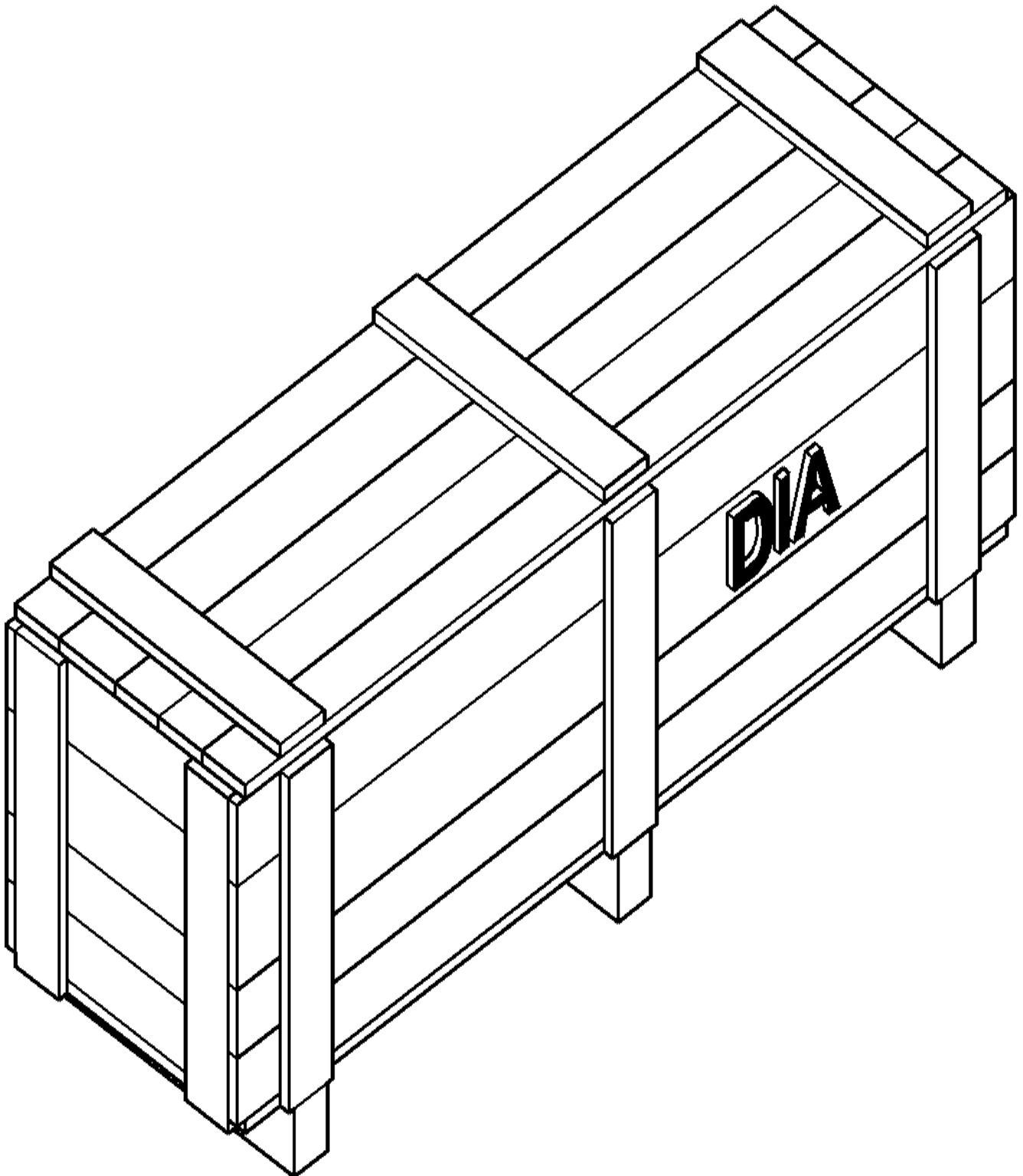
**88.100.90**

03

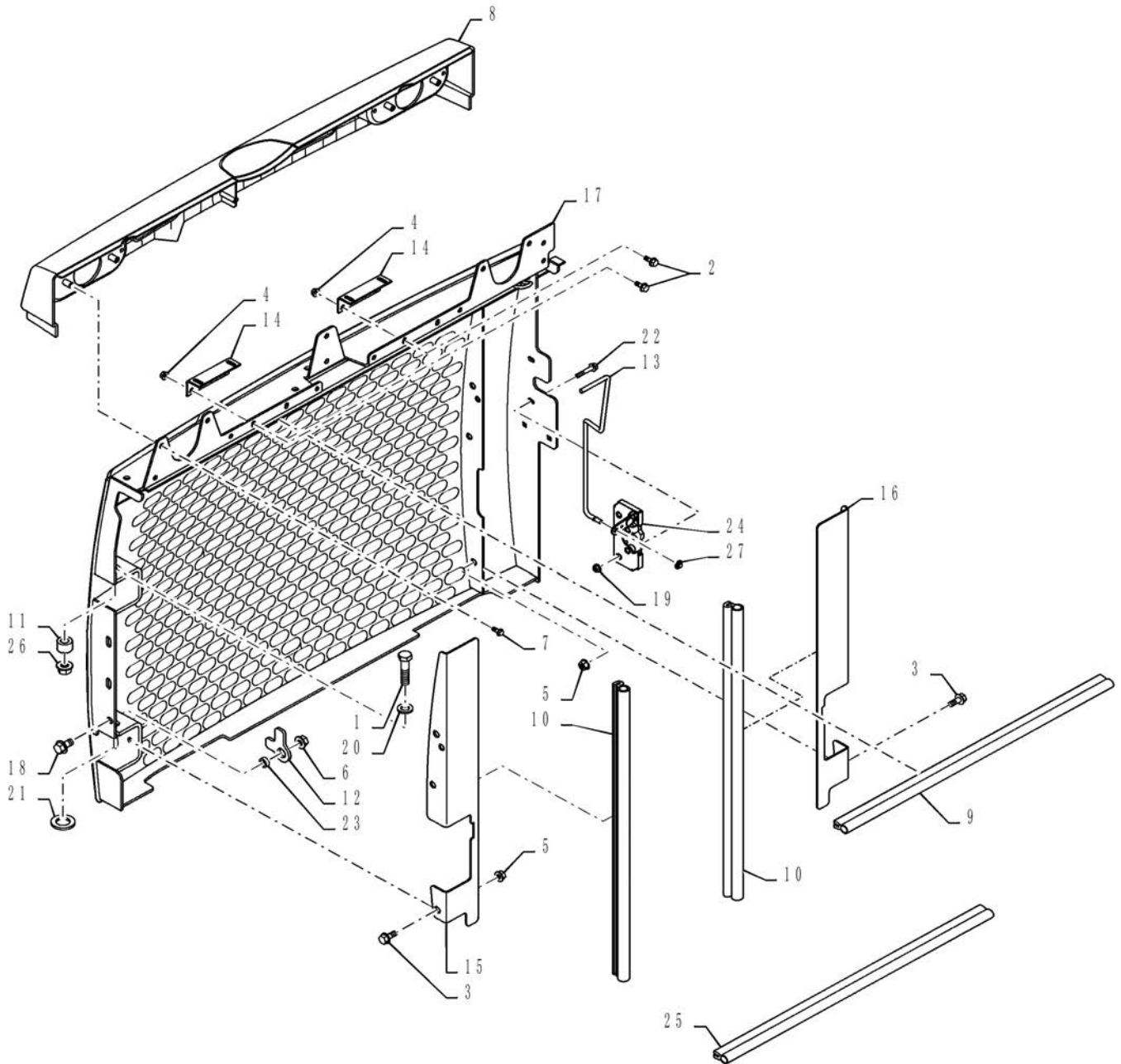
p1

7/2020

DIA KIT - CAB LOCK, SM



REAR DOOR



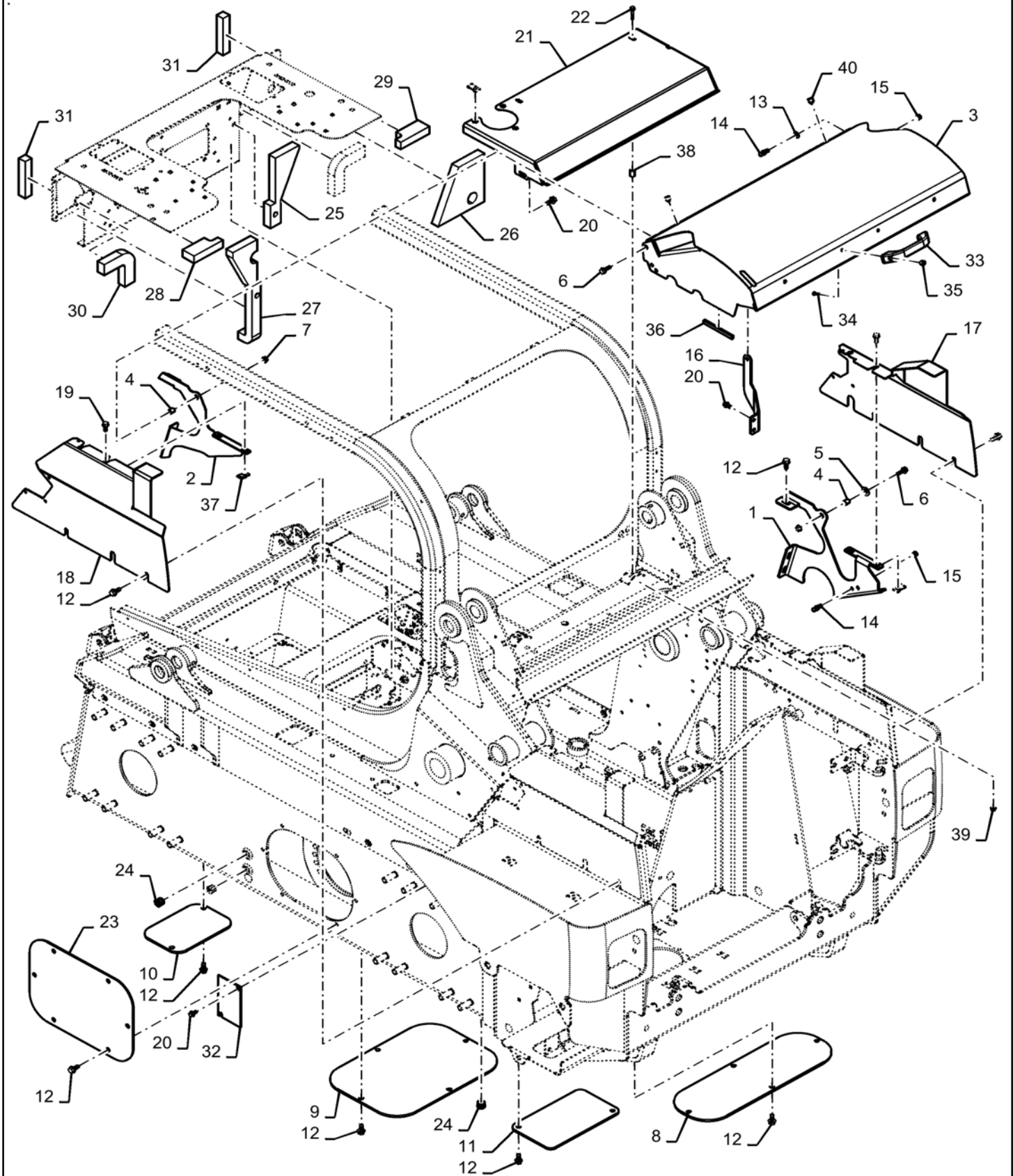
90.100.BI

01

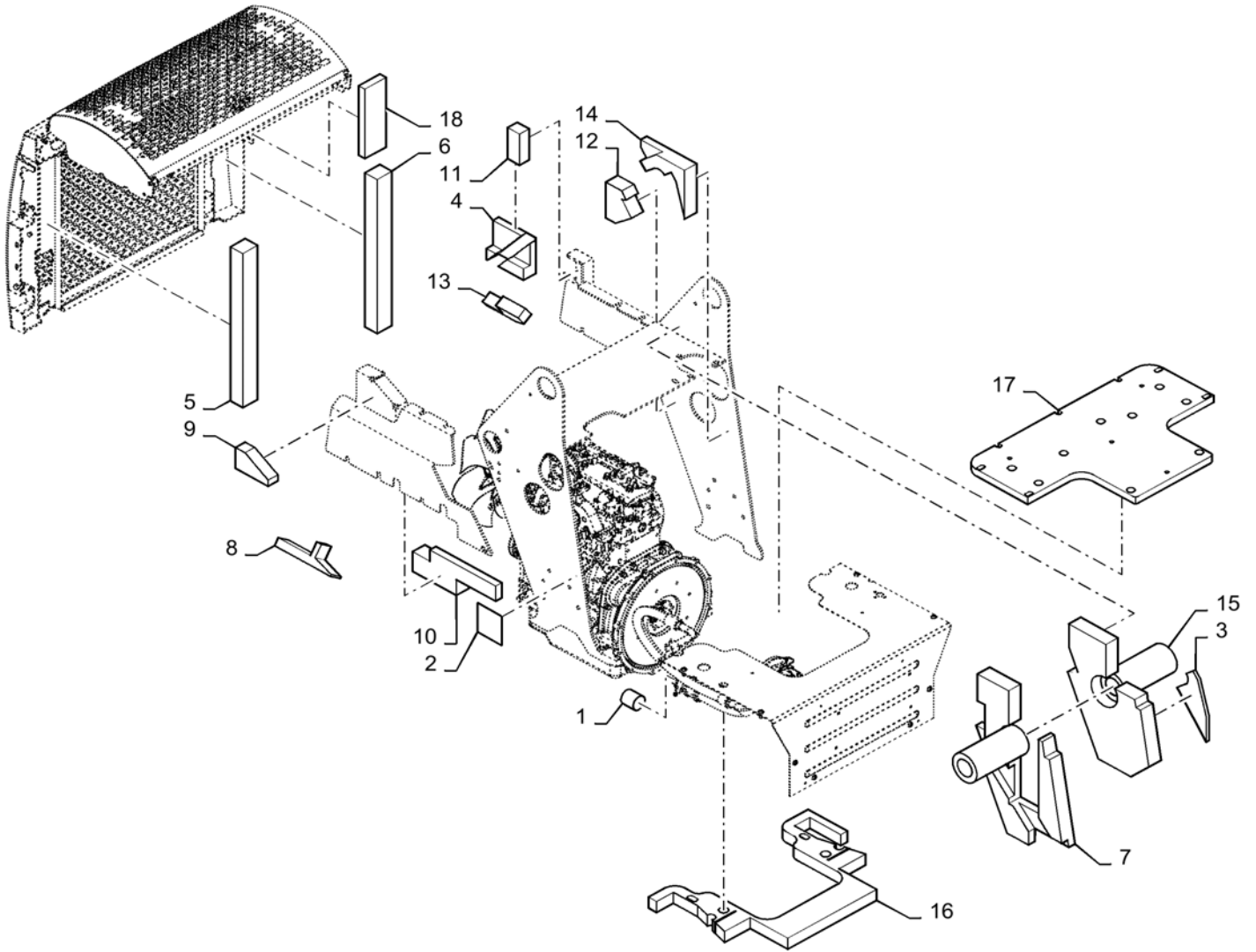
p1

7/2020

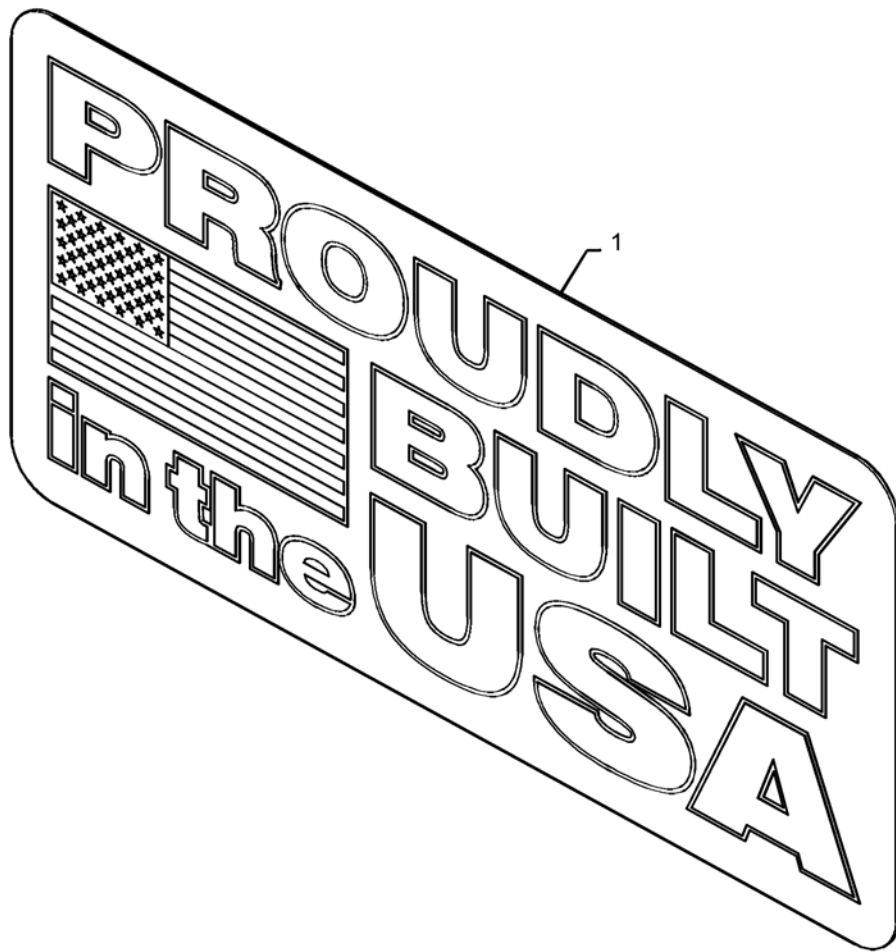
REAR HOOD AND CHASSIS ACCESS COVERS 13-OCT-2016 AND AFTER



INSULATION, SOUNDPROOFING, OPEN CAB



USA DECAL



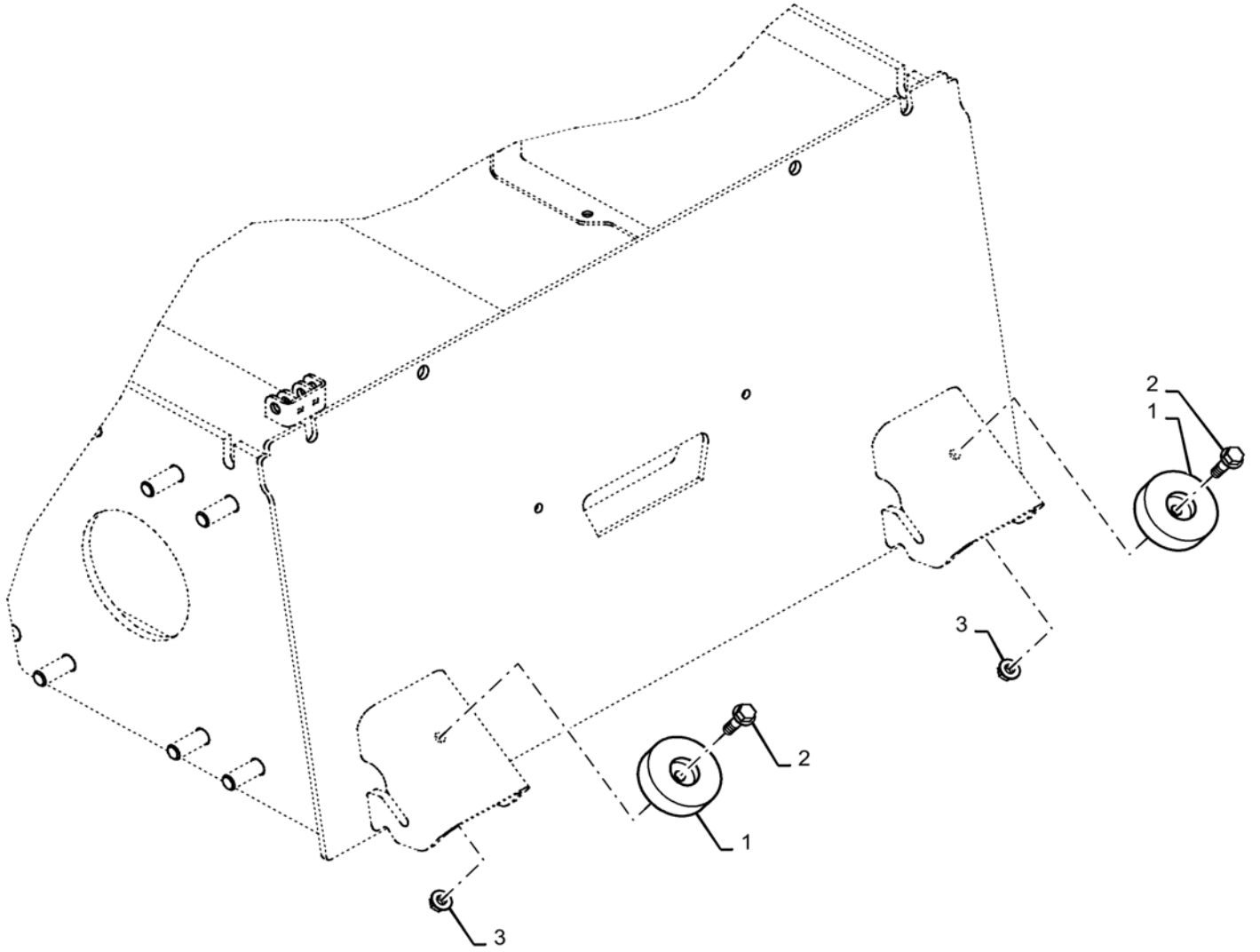
90.116.AO

02

p1

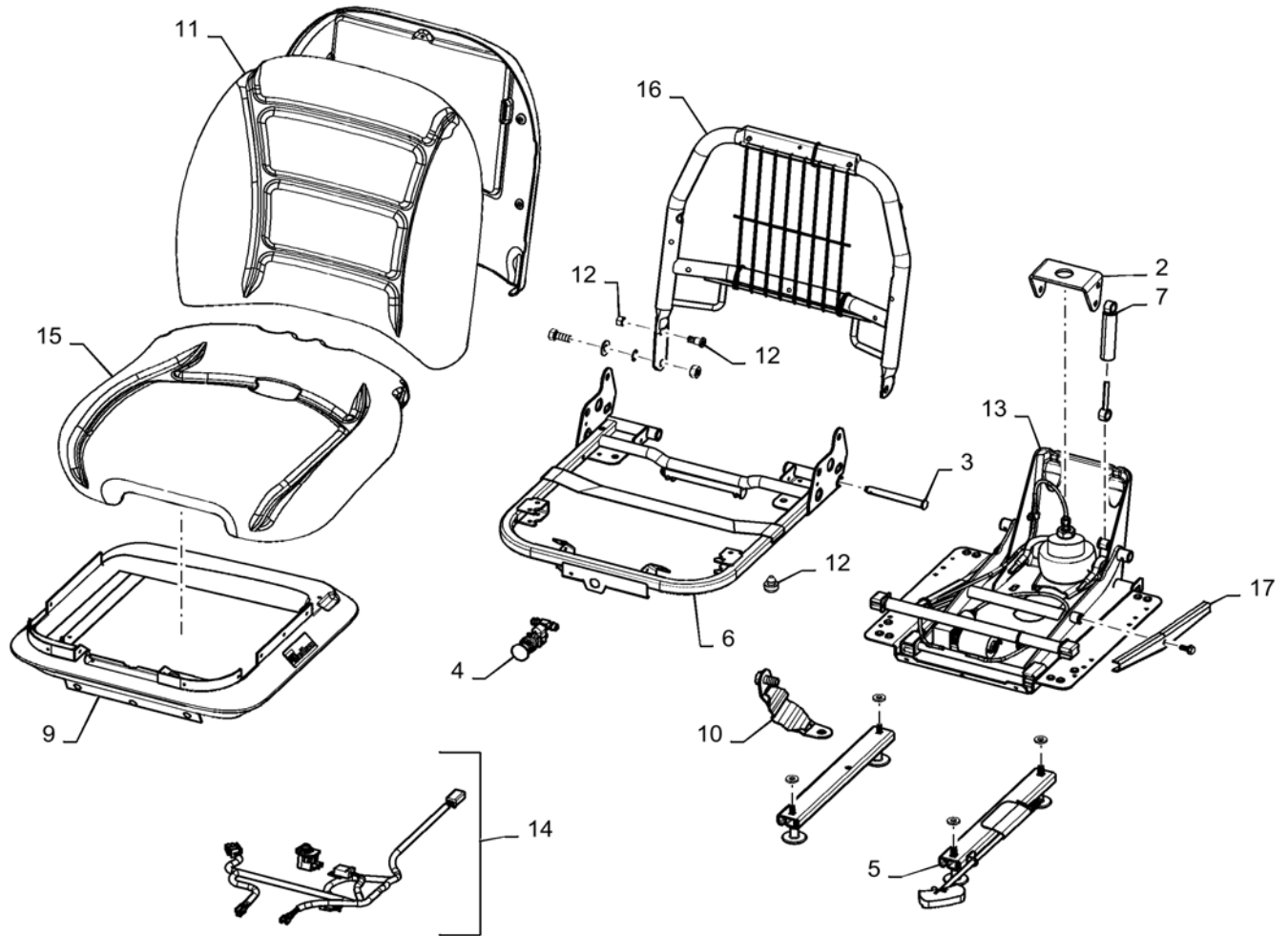
7/2020

LOADER ARM STOP, 40MM STOP, 12" TIRE



SEAT, AIR SUSPENSION

1





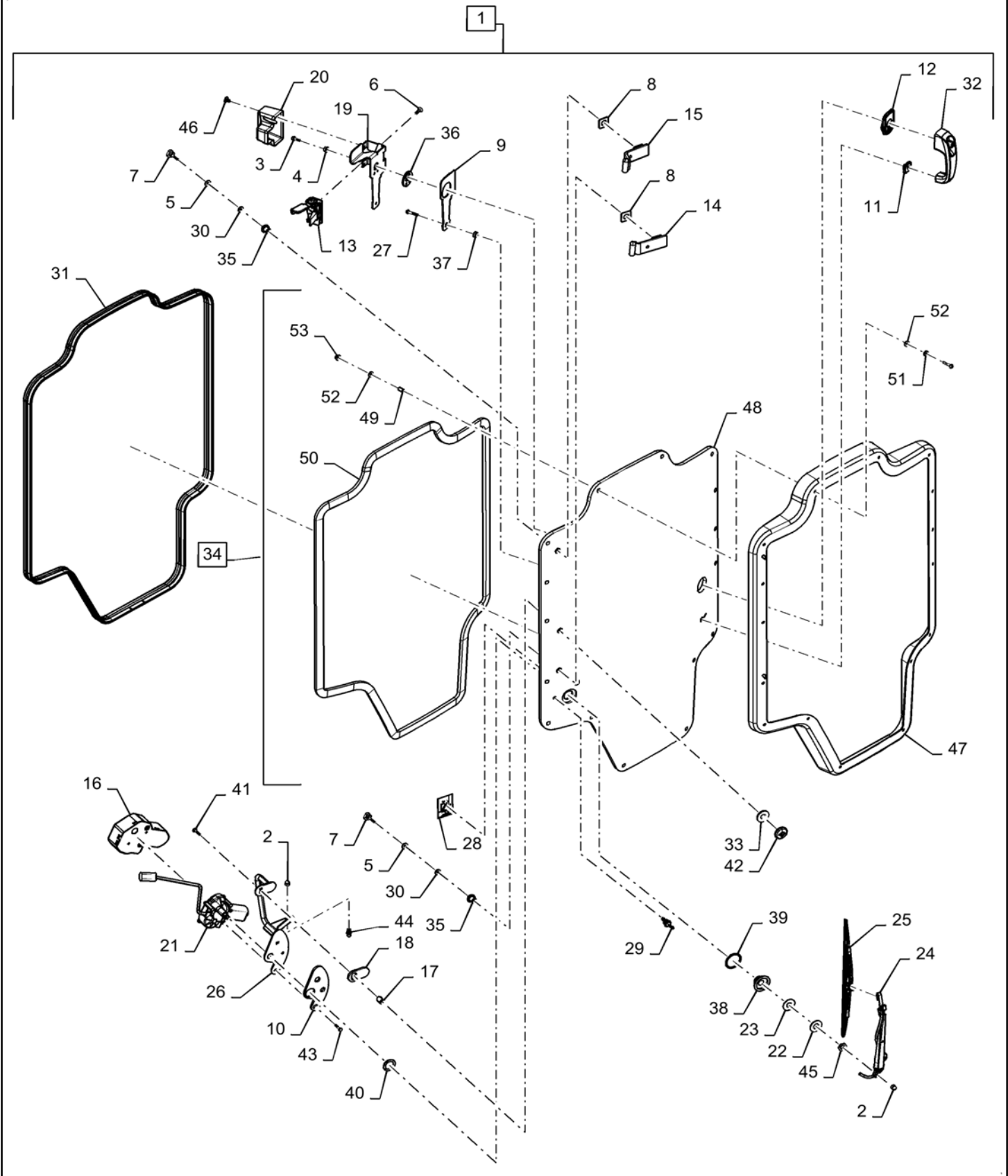
90.154.020

02

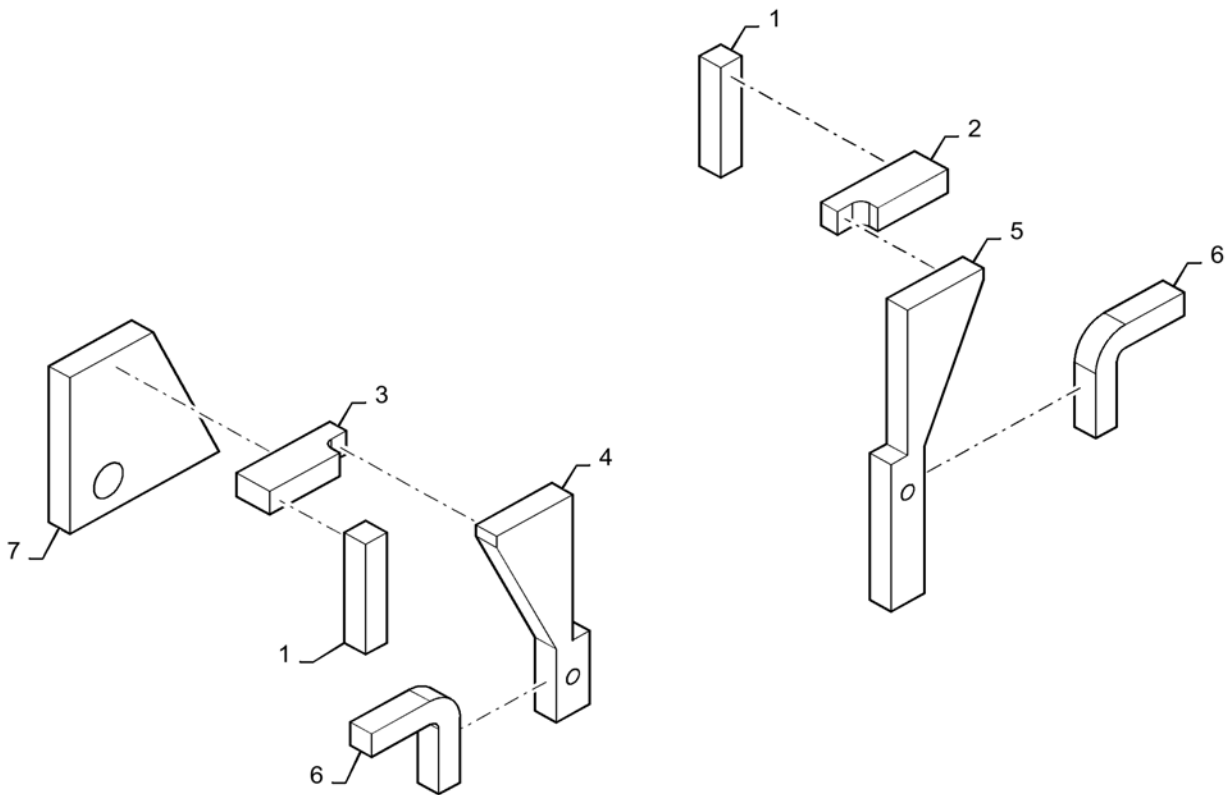
p3

7/2020

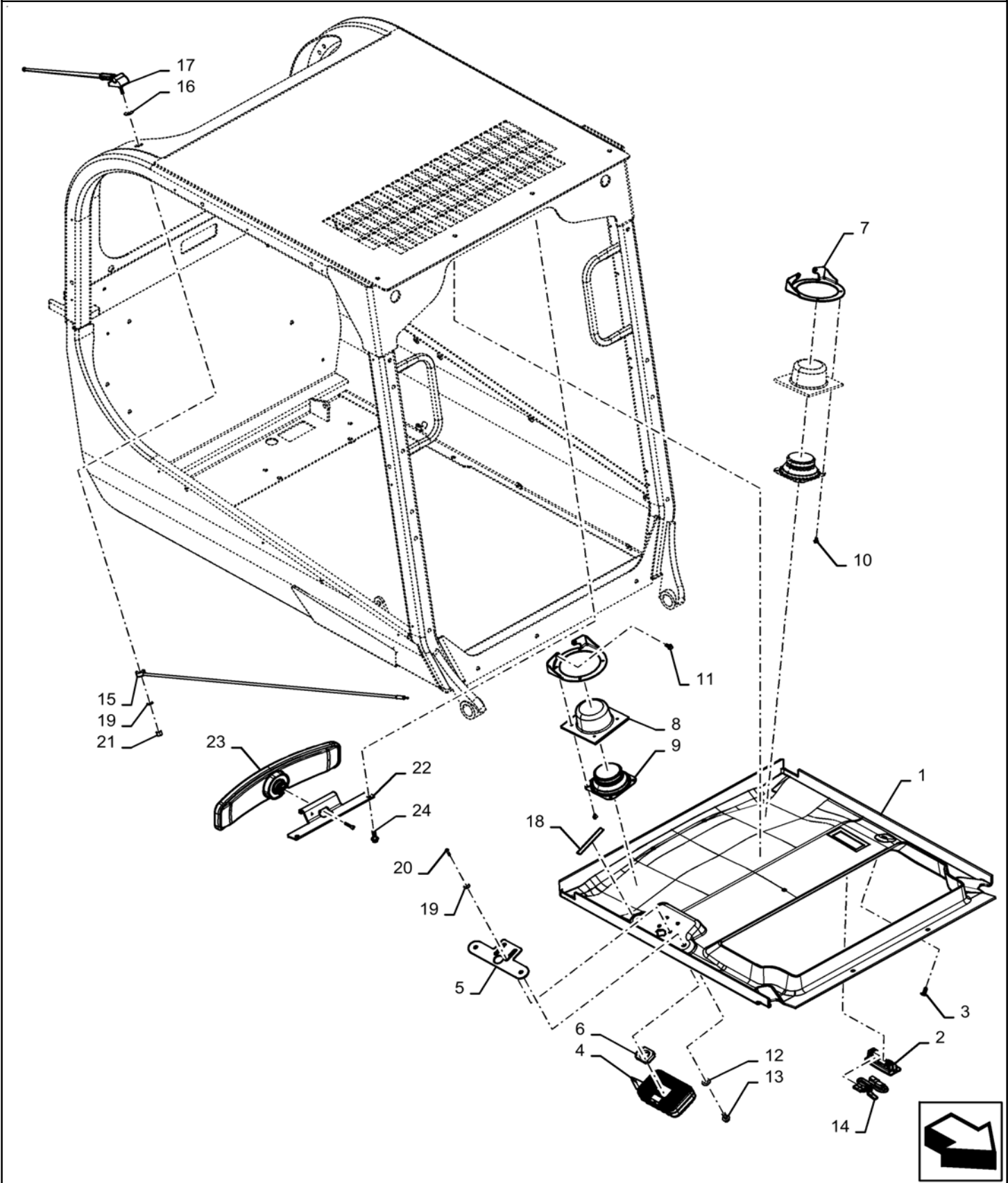
DEMO DOOR ASSY COMPONENTS (1-FEB-2013 & PRIOR)



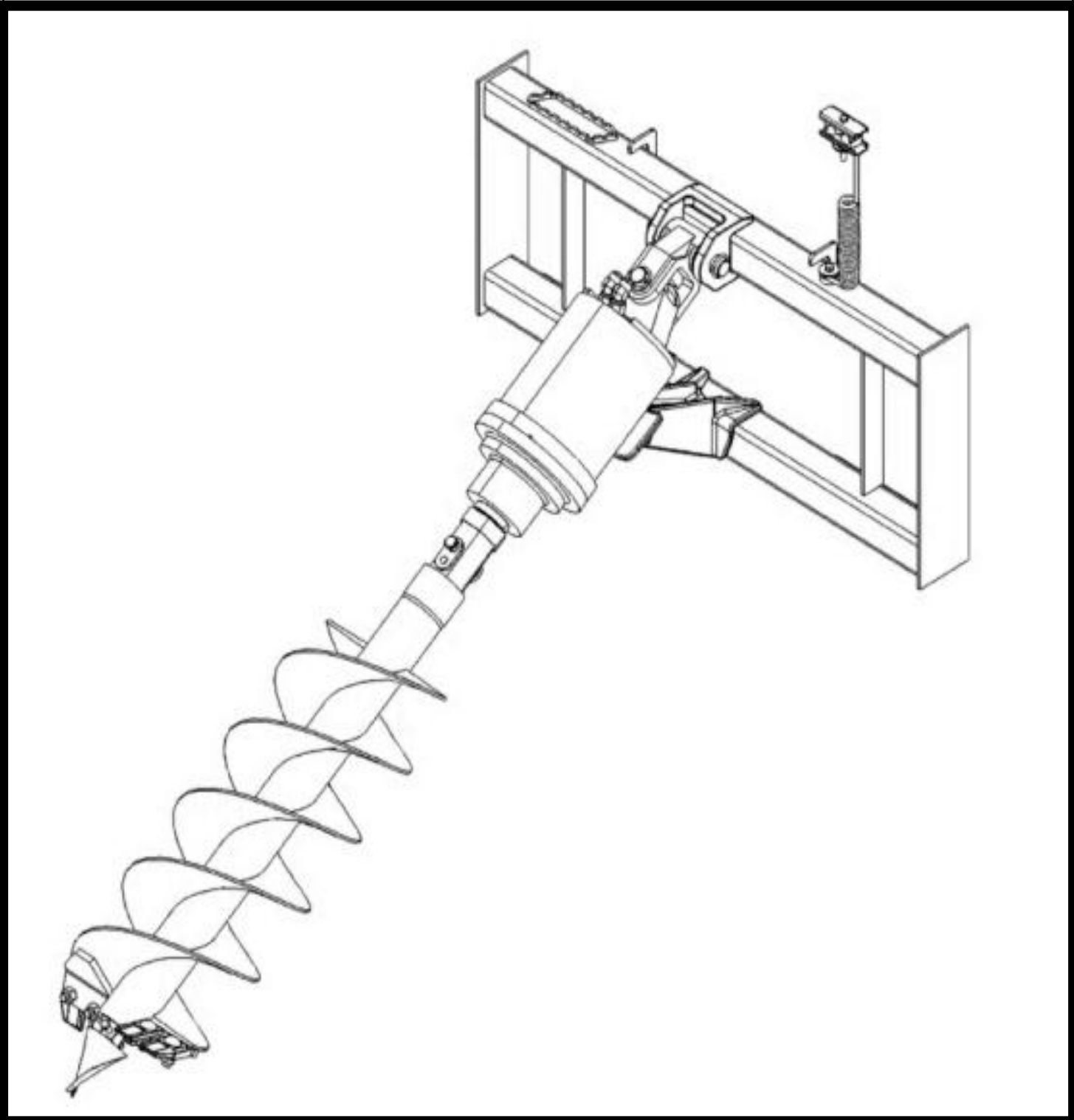
CAB HARNESS SEAL



CAB HEADLINER, WITH RADIO

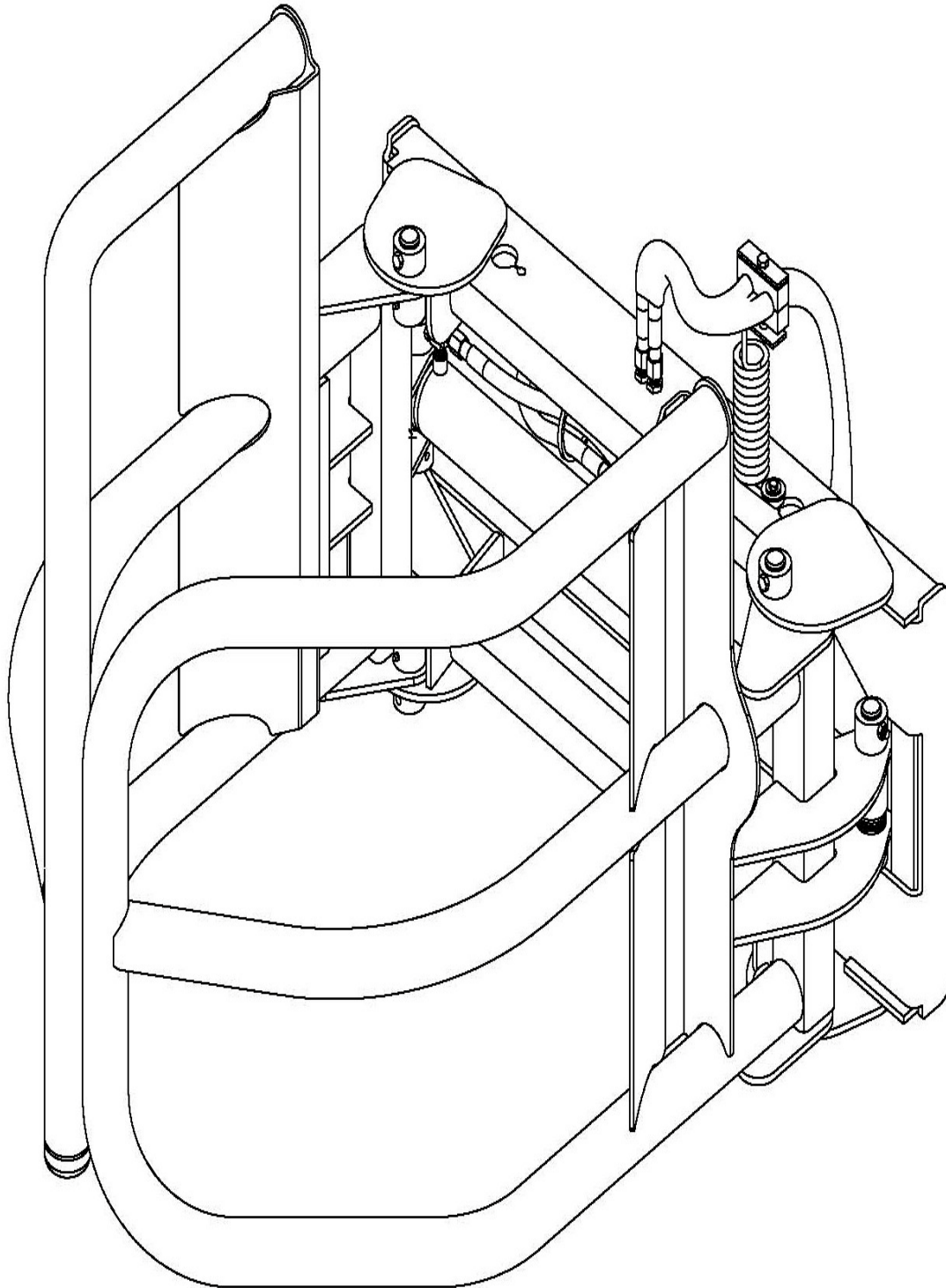


**AUGER DRIVE, SR150**



**Must Order Bit for Complete Unit**

BALE HANDLER, SR150

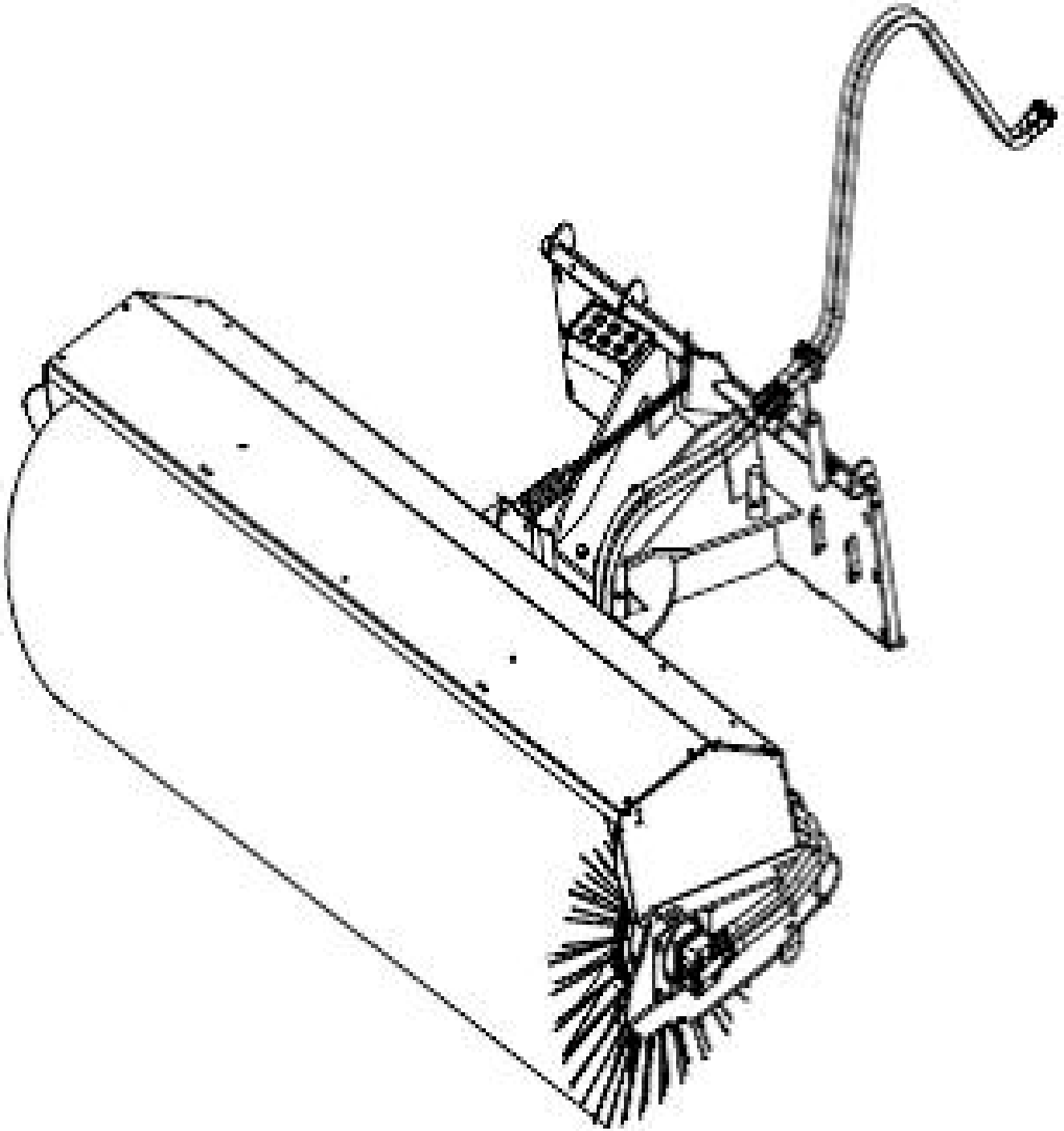


**95.016.AAS**

p1

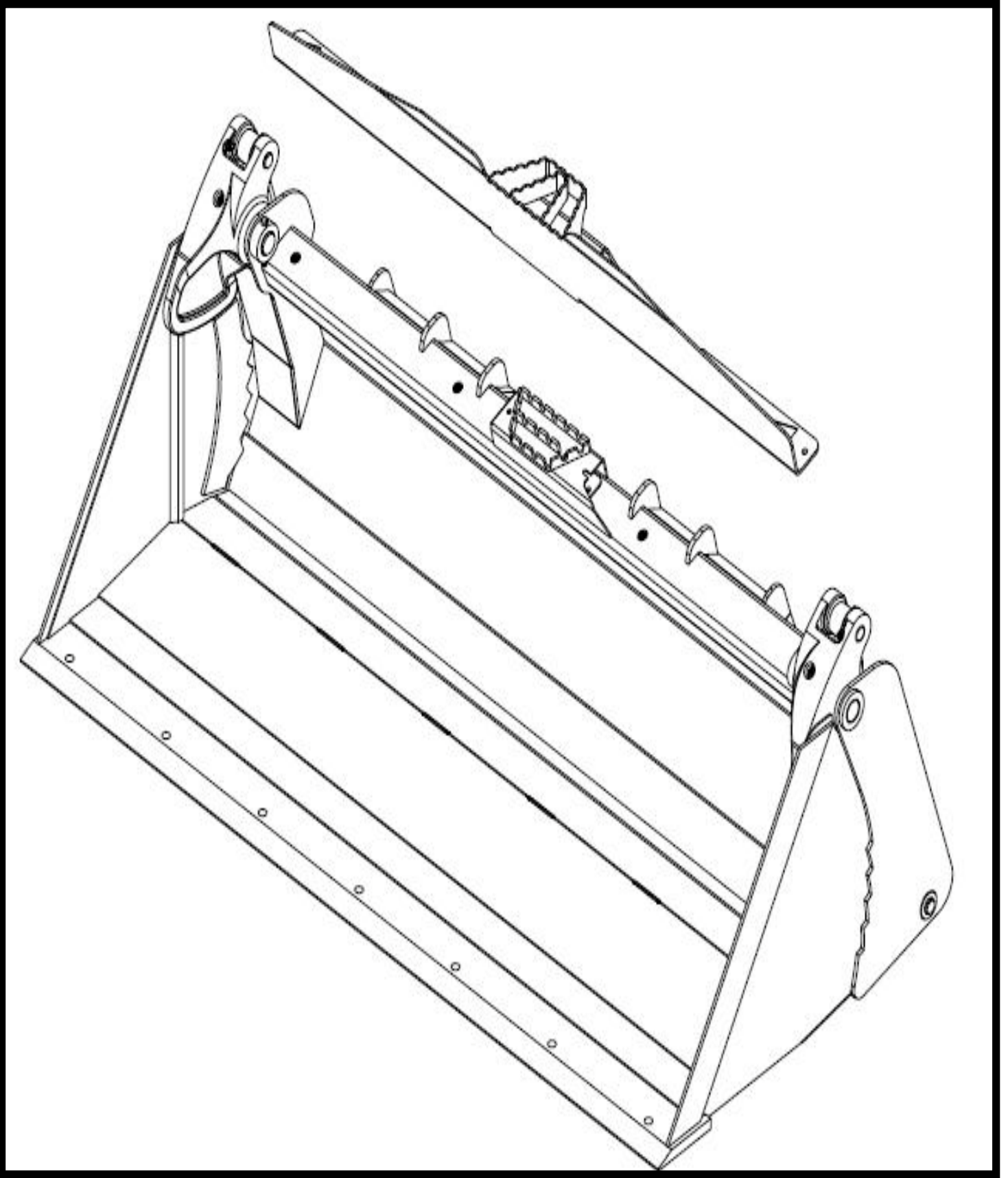
7/2020

ANGLE BROOM, SV185

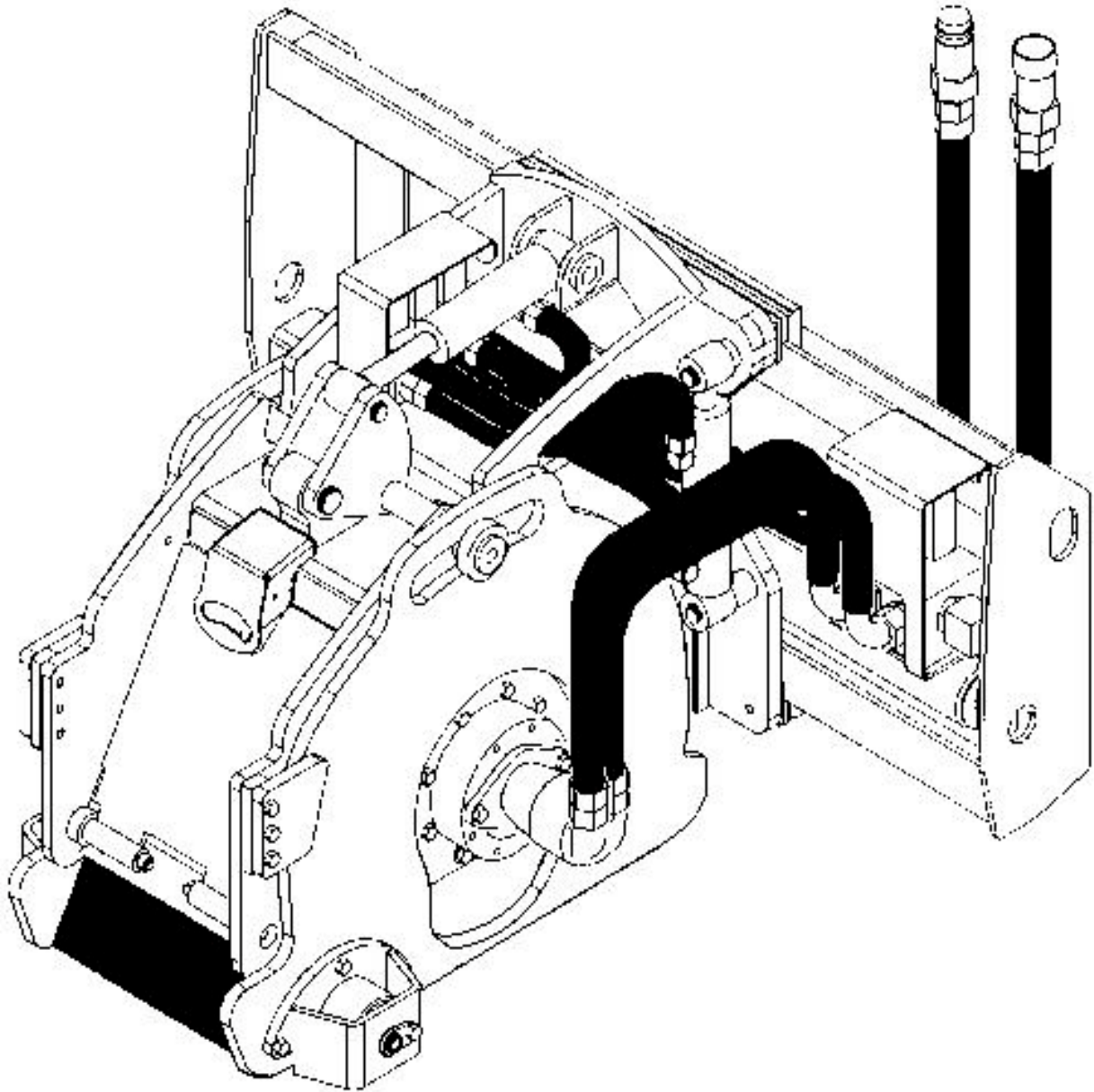


Manual Angle is Std, Hydraulic Angling Kits must be Specified Separately

4 X 1 BUCKET (UTILITY), SR160

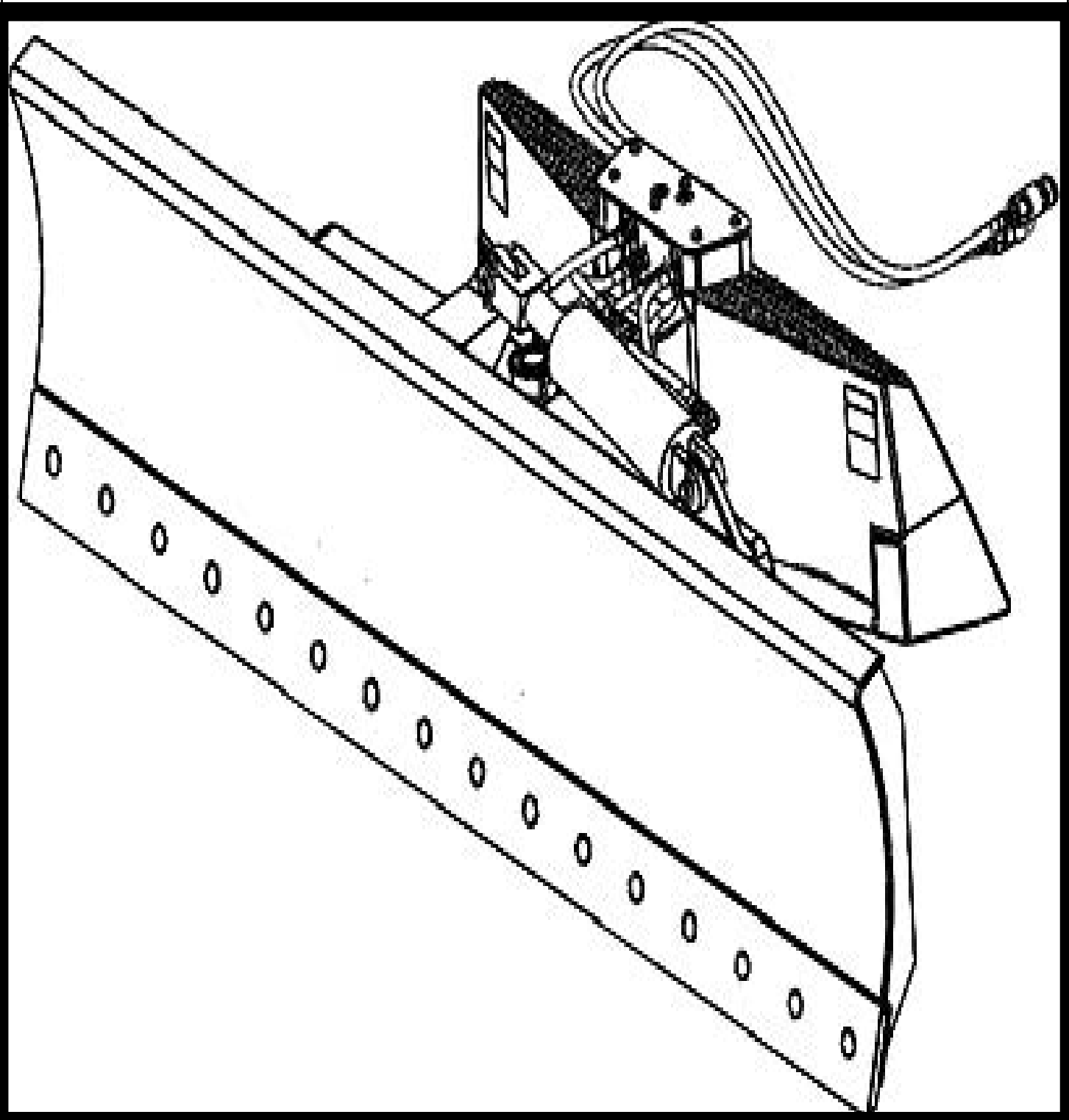


**COLD PLANERS, STANDARD FLOW, SR160**



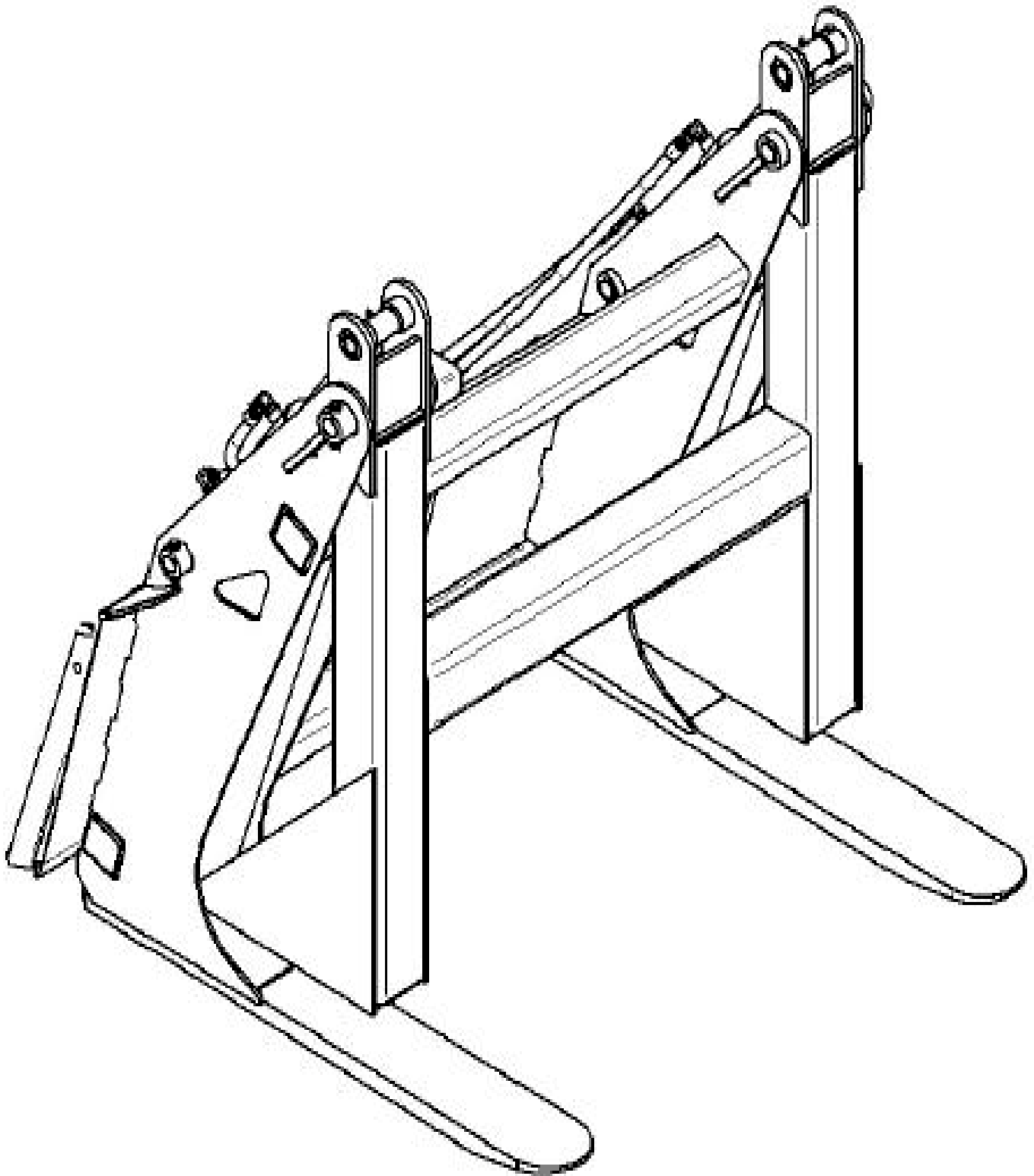
For Specified Skid Steer Loaders Equipped W/ Std Aux Boom Hydraulics

DOZER BLADES, SR175

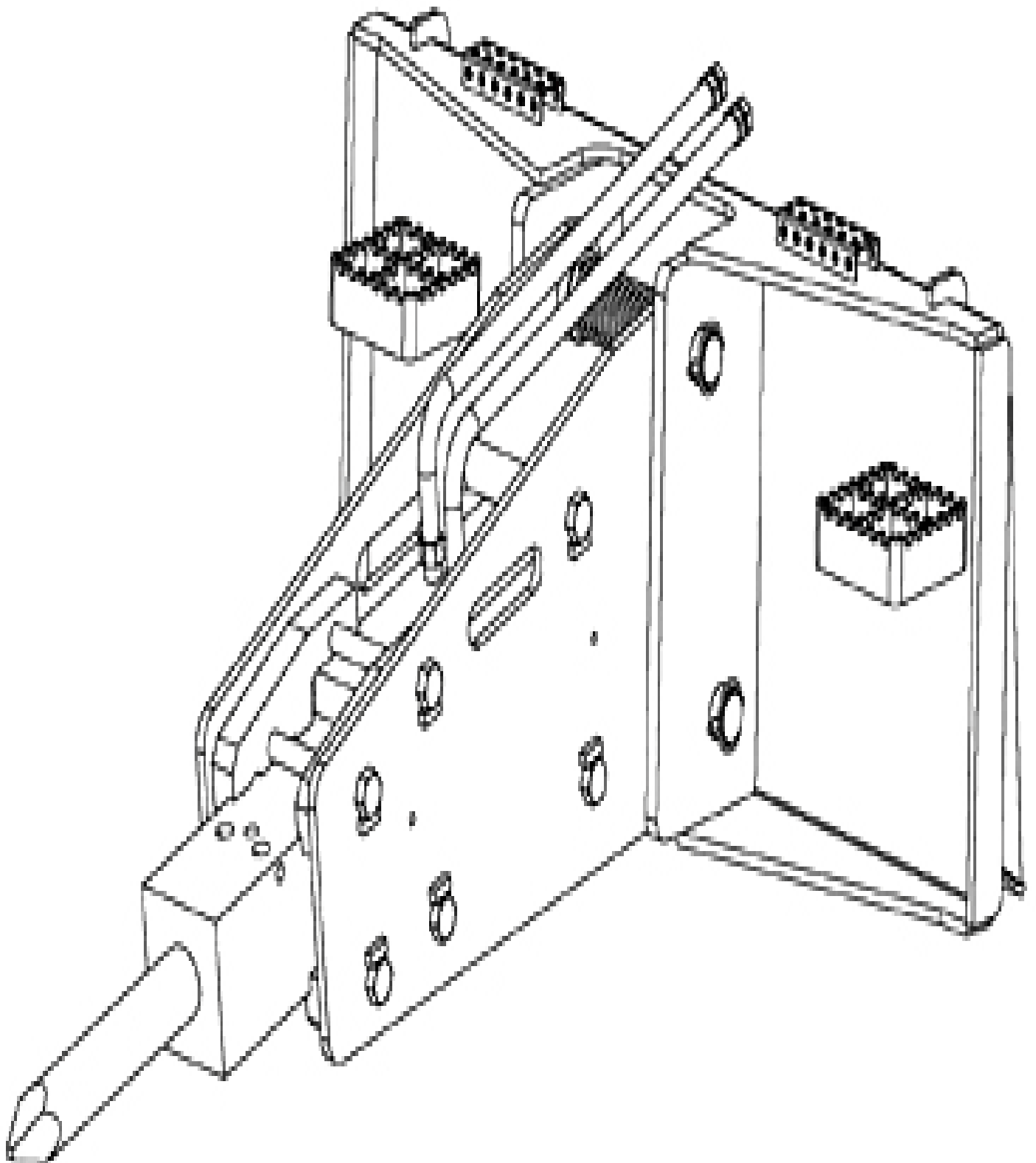


Must Order One Base Unit Option to Complete Unit

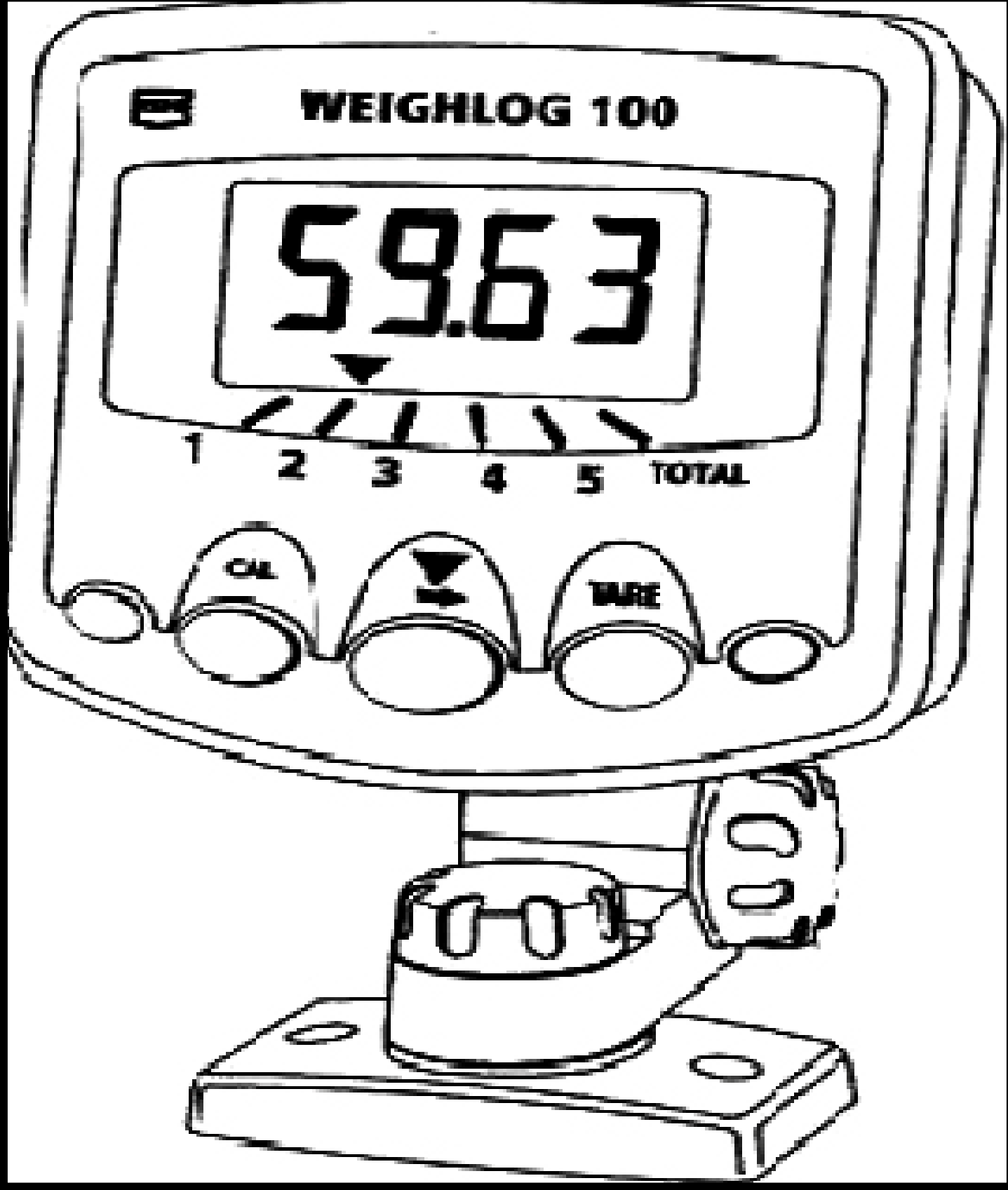
GRAPPLE, LOG, SR175



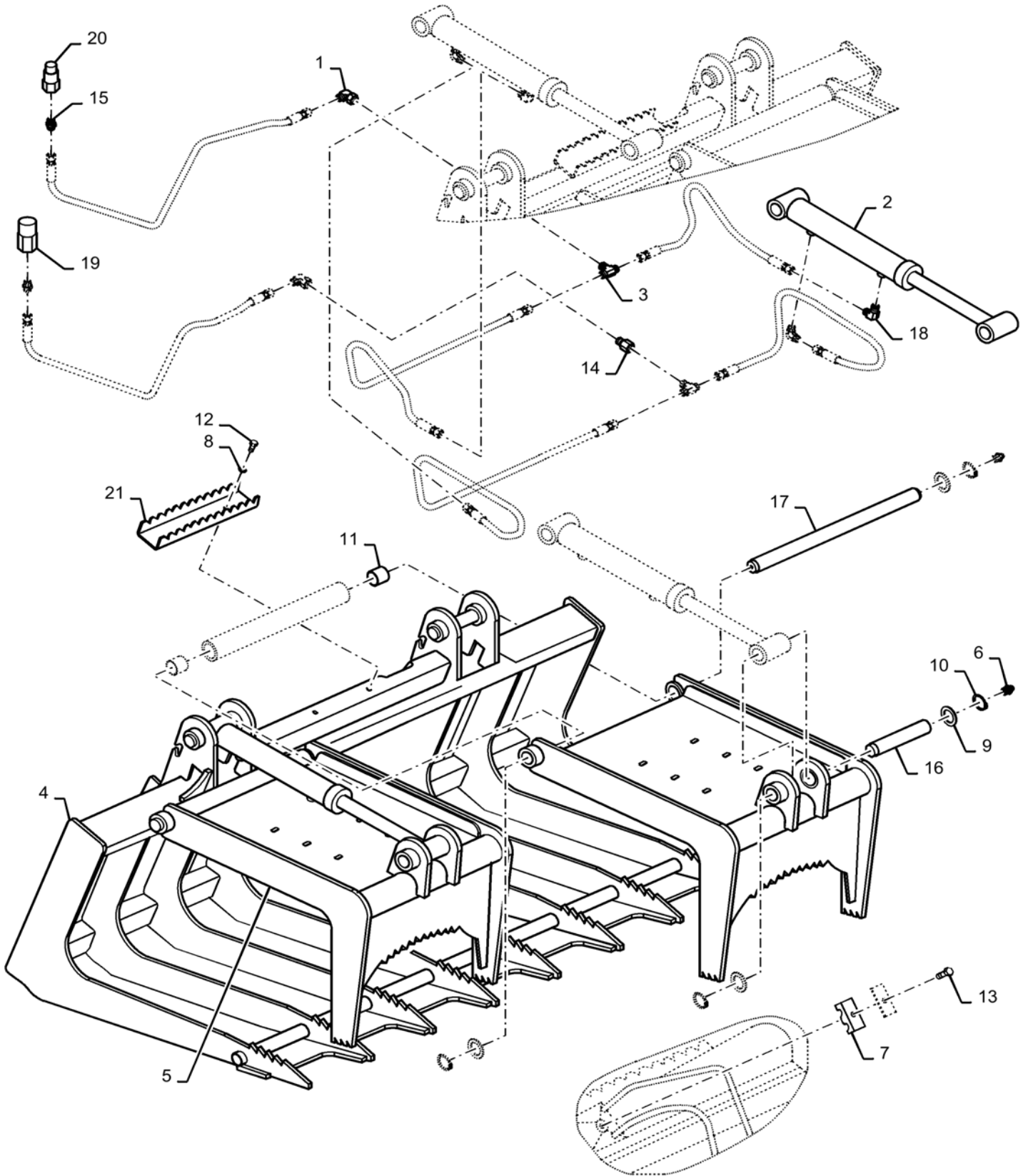
HYDRAULIC HAMMERS, SR150



LOAD MONITORS, SR150



BUCKET SRAP GRAPPLE 72 IN

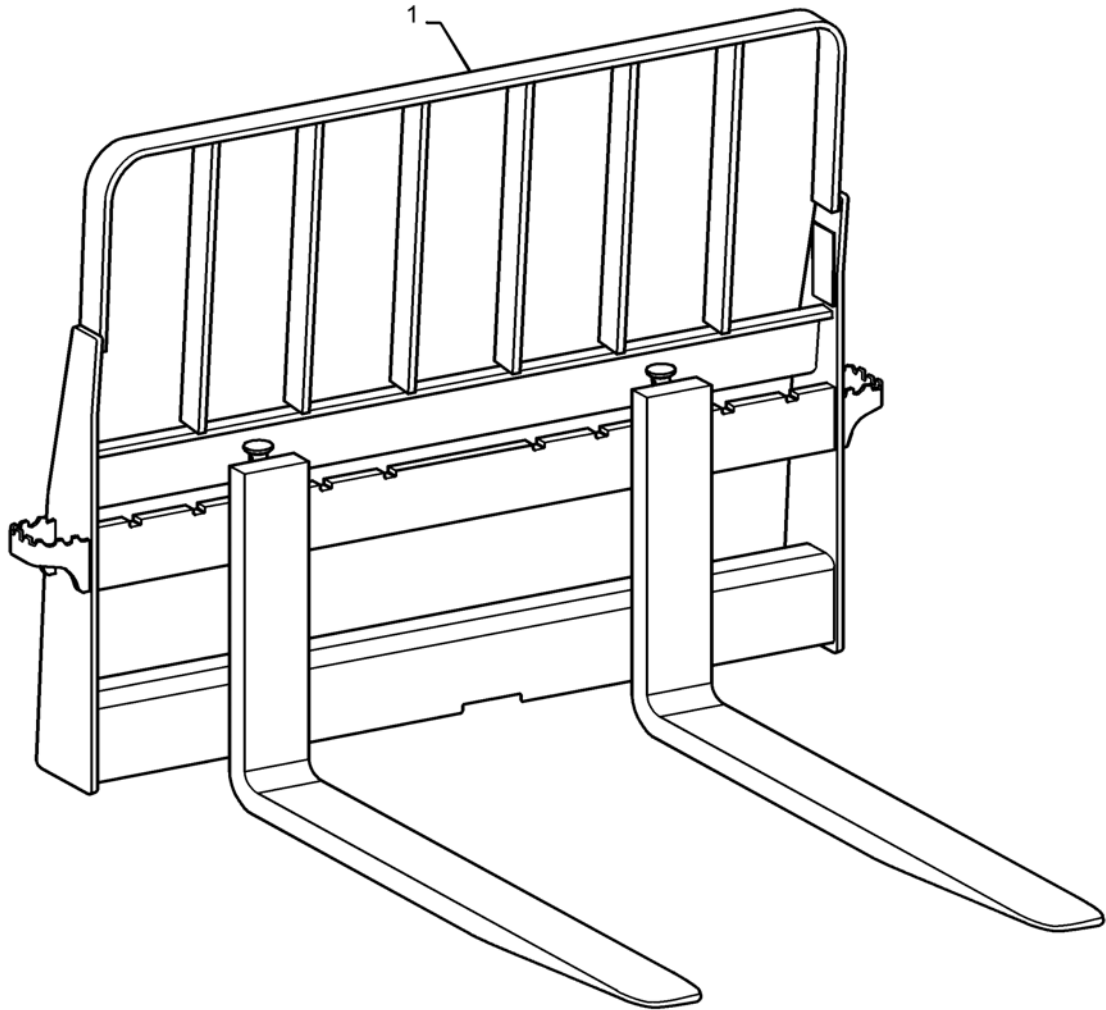


95.110.000

p1

7/2020

PALLET FORKS

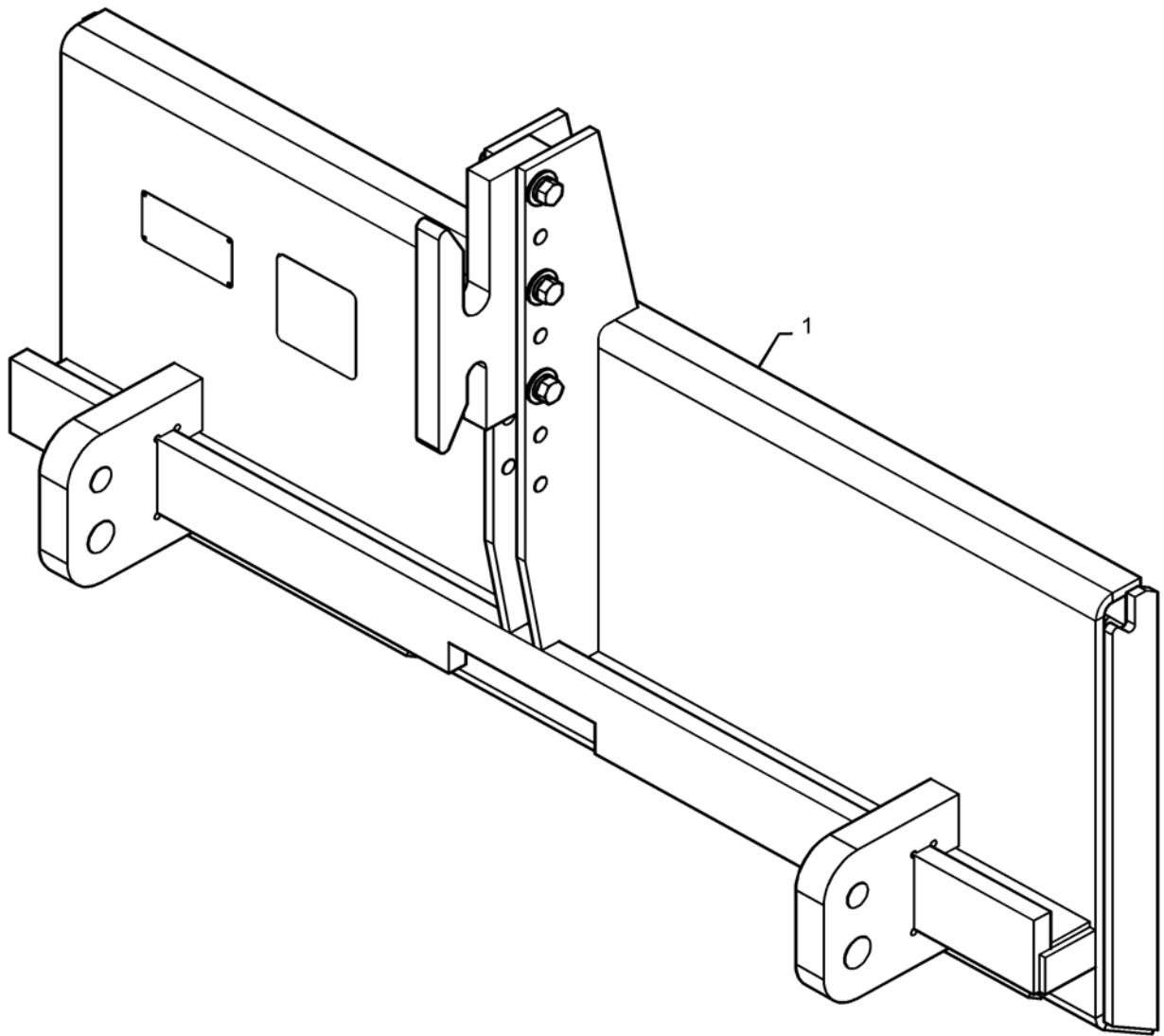


95.119.000

p1

7/2020

3 PT ADAPTER

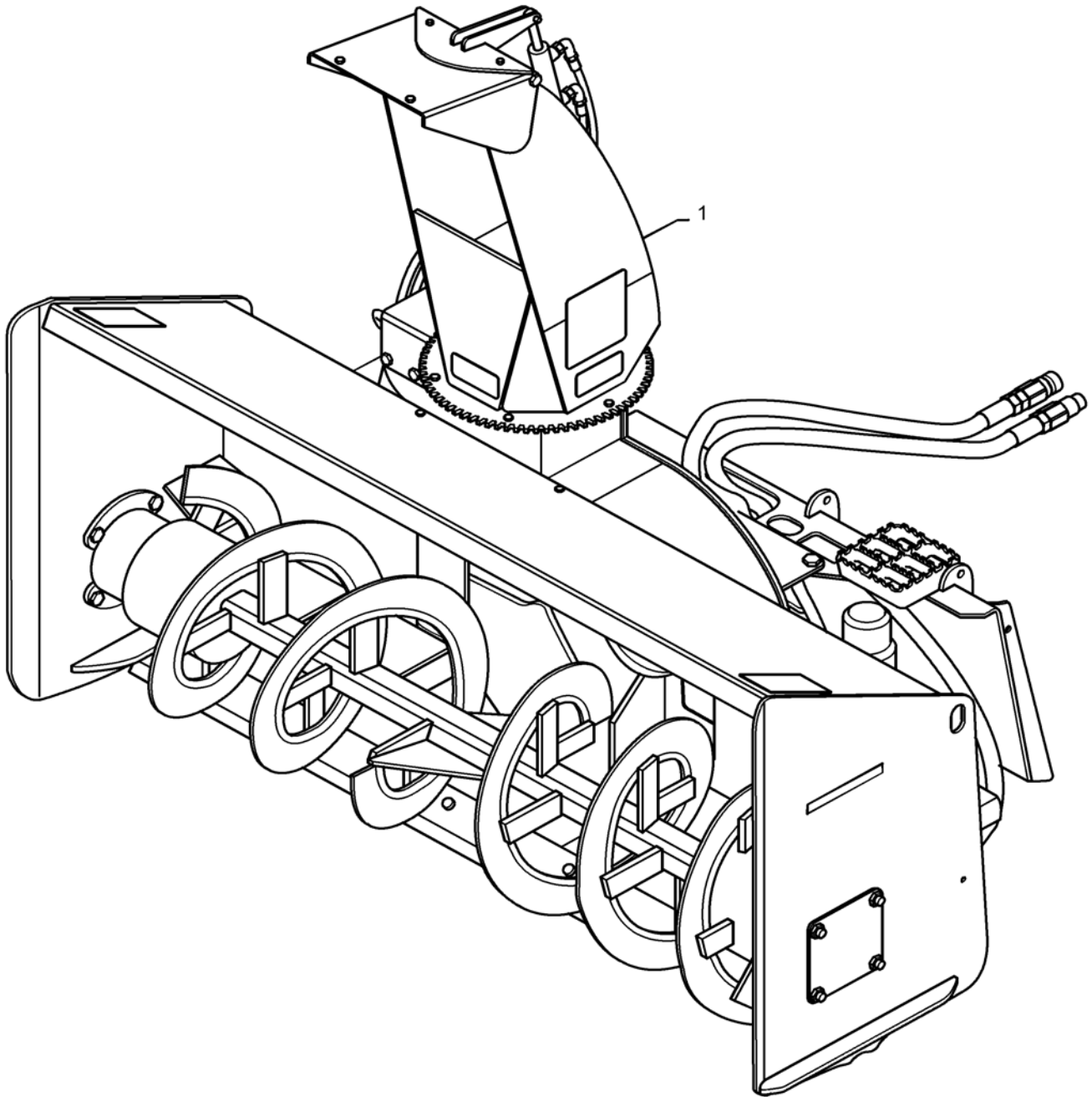


95.129.000

p1

7/2020

SNOW BLOWER

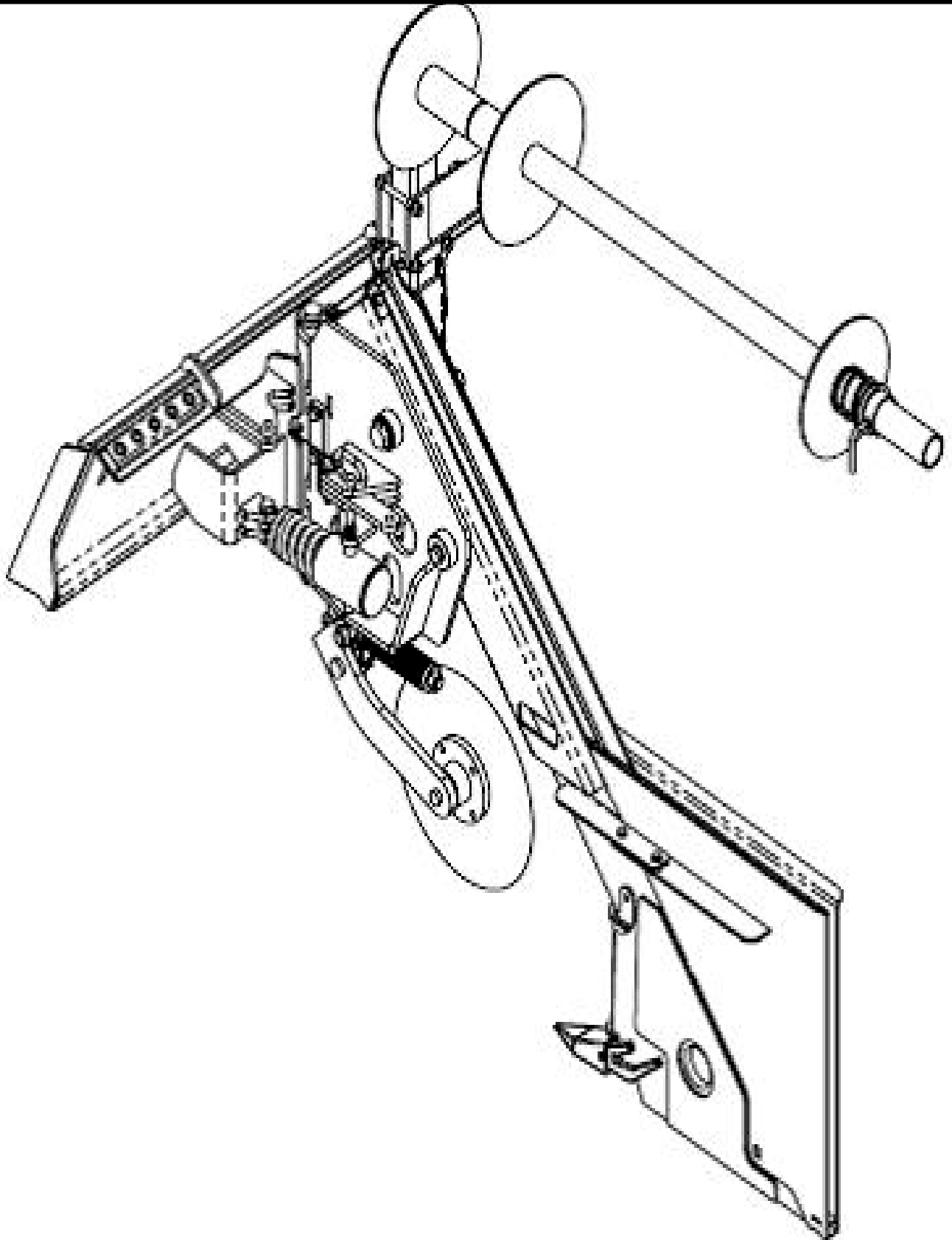


95.139.000

p1

7/2020

SILT FENCE INSTALLER SSL MT - CASE

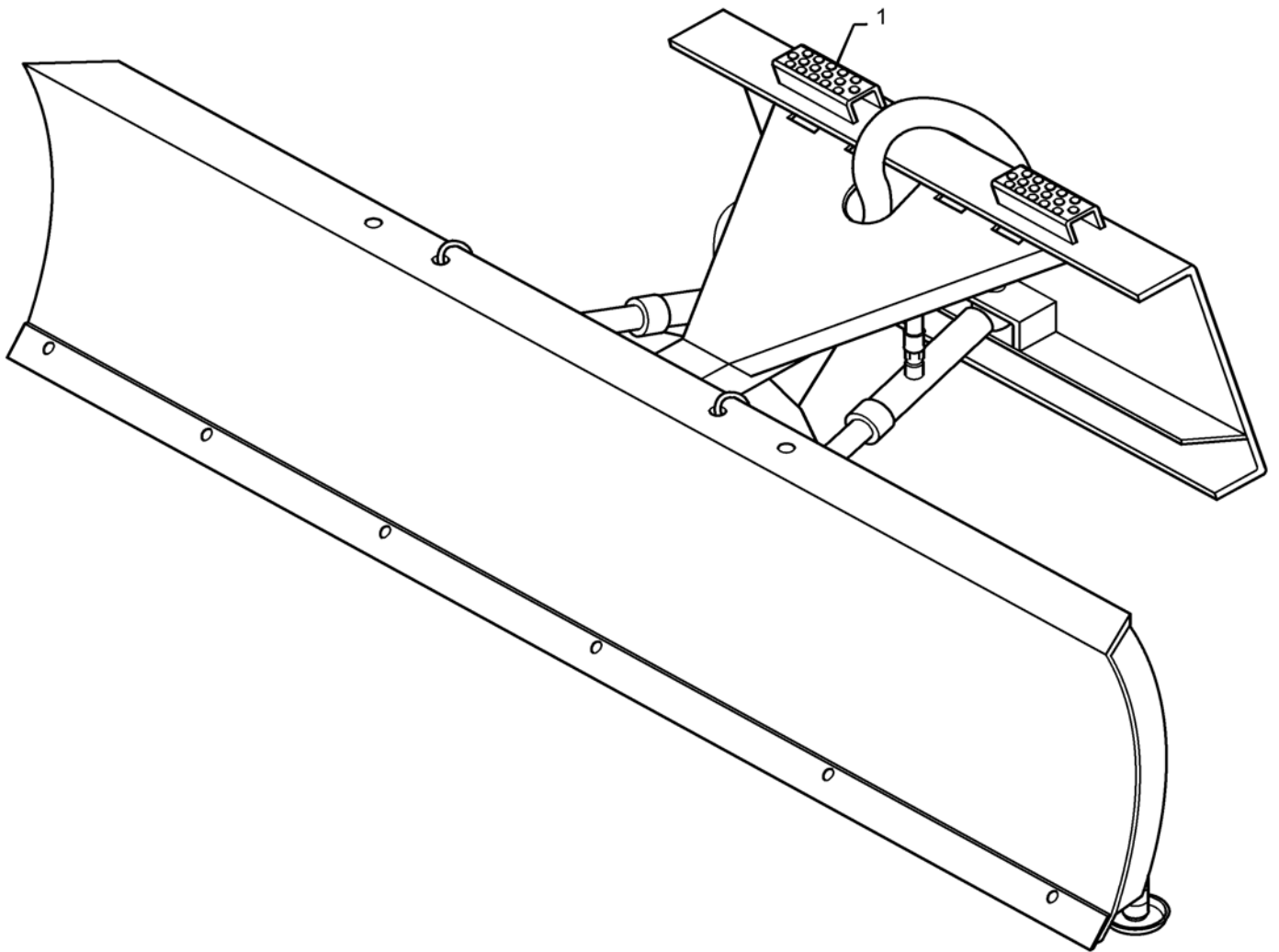


95.149.000

p1

7/2020

SNOW BLADE STD

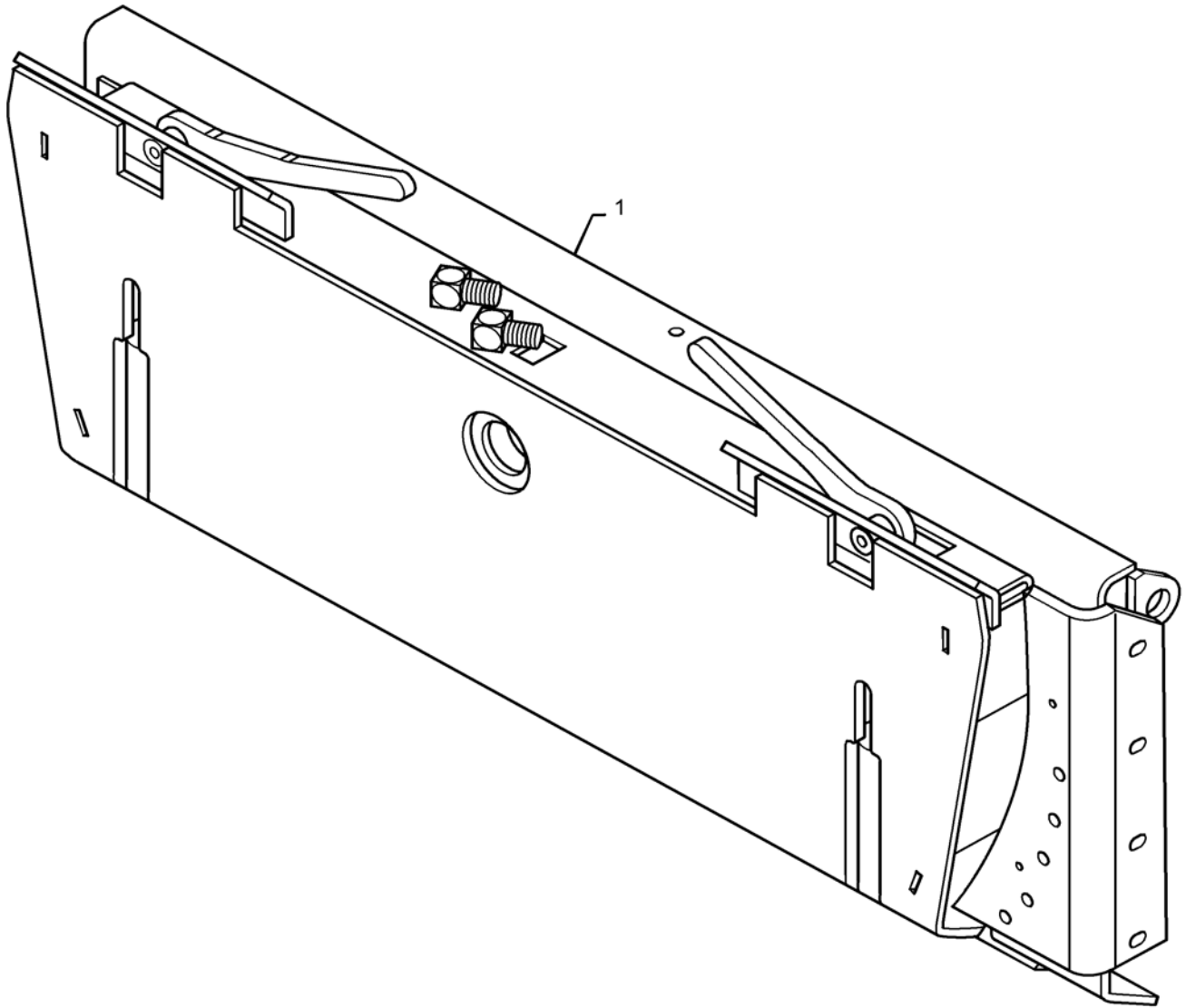


95.153.000

p1

7/2020

TILT ATTACH, HD BASIC - CASE

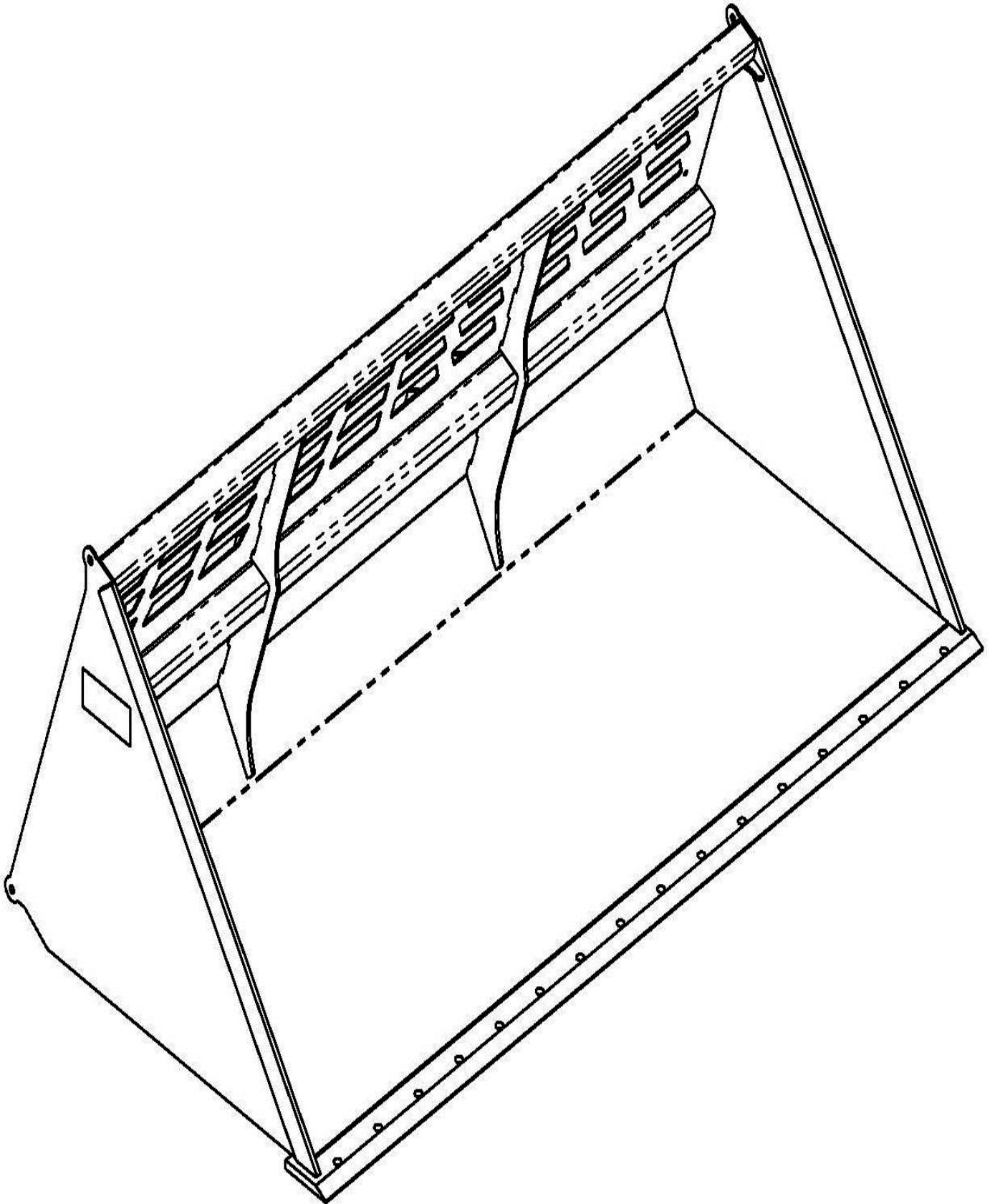


95.157.000

p1

7/2020

BUCKET, SNOW

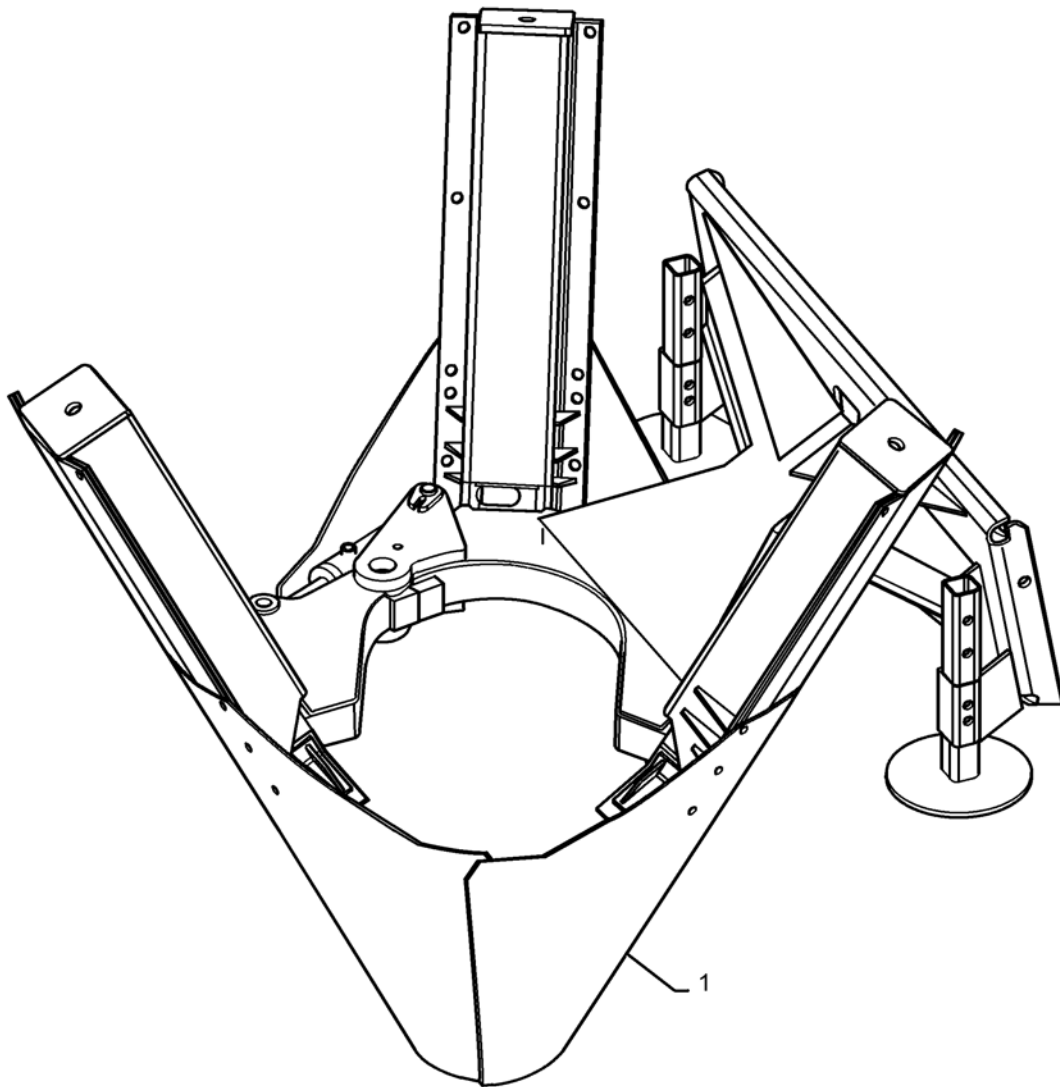


95.163.000

p1

7/2020

TREE SHOVEL

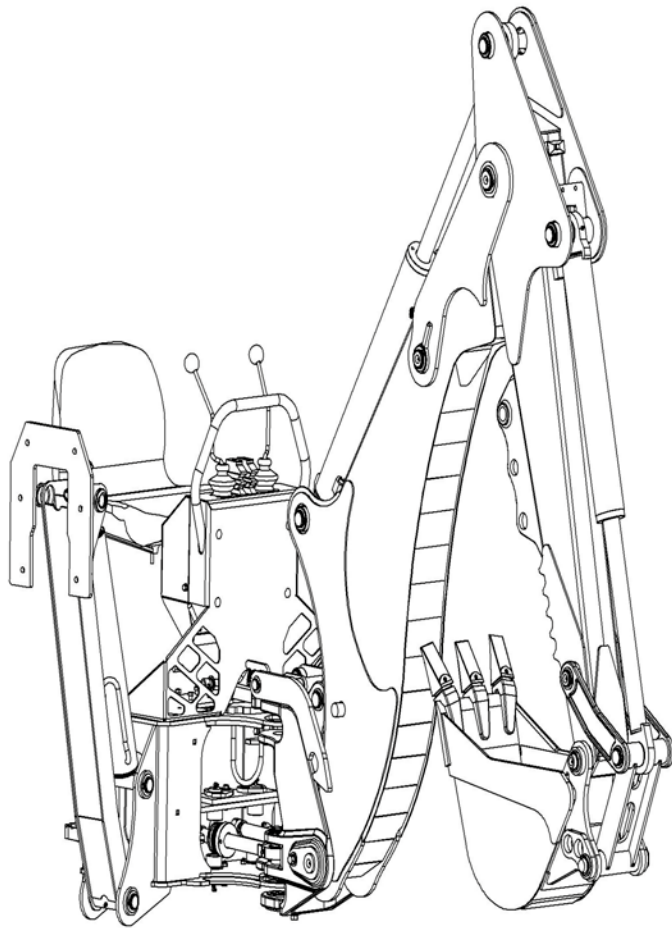


**95.168.000**

p3

7/2020

**BACKHOES**



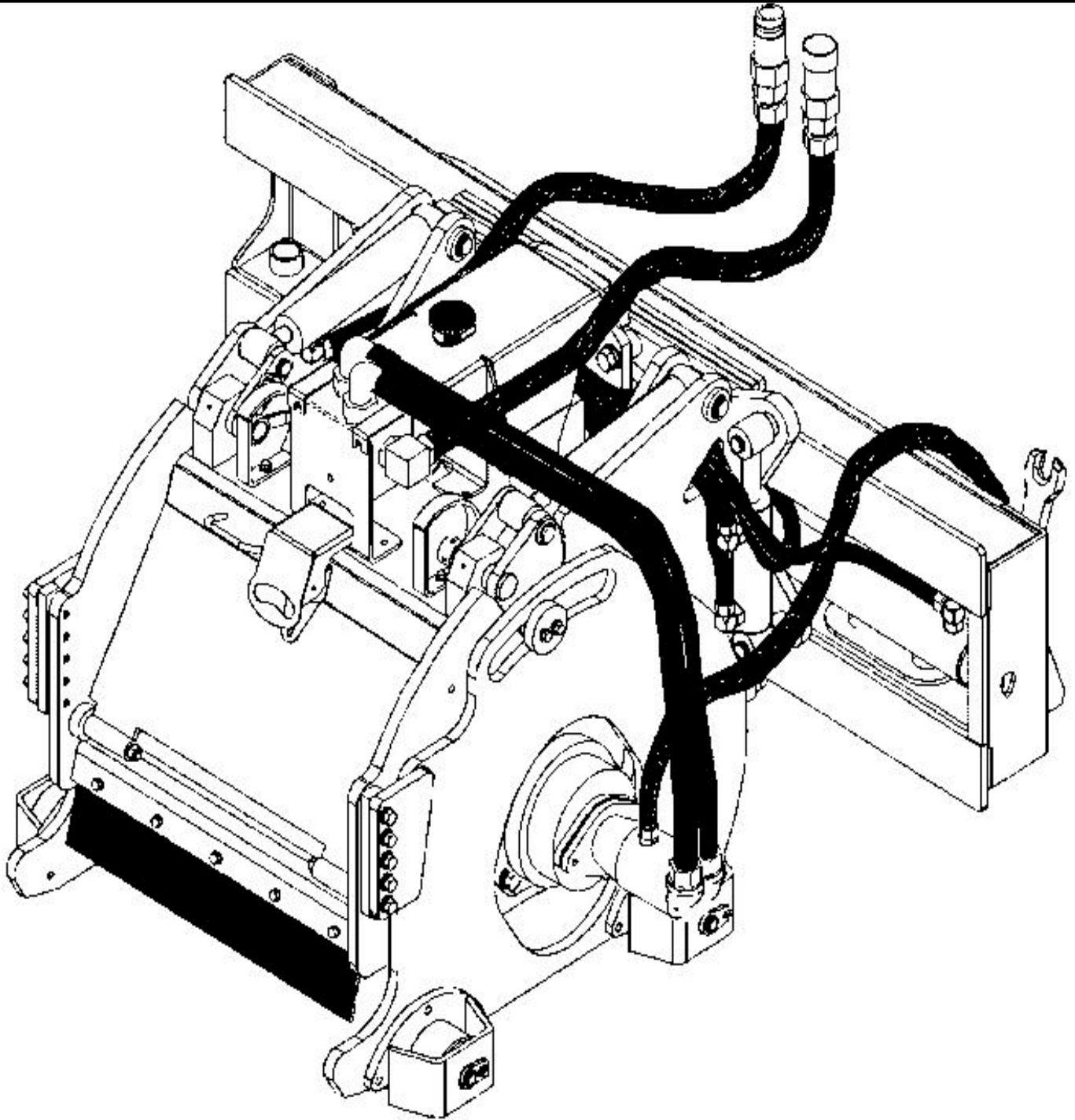
**Must Order Mounting Kit, Stabilizer Pad Option as Indicated and Bucket for Complete Unit, Backhoes are Not Compatible W/ Cab or Demolition Doors, Doors Must be Removed for Backhoe Operation**

**95.172.000**

p2

7/2020

COLD PLANERS, SR175



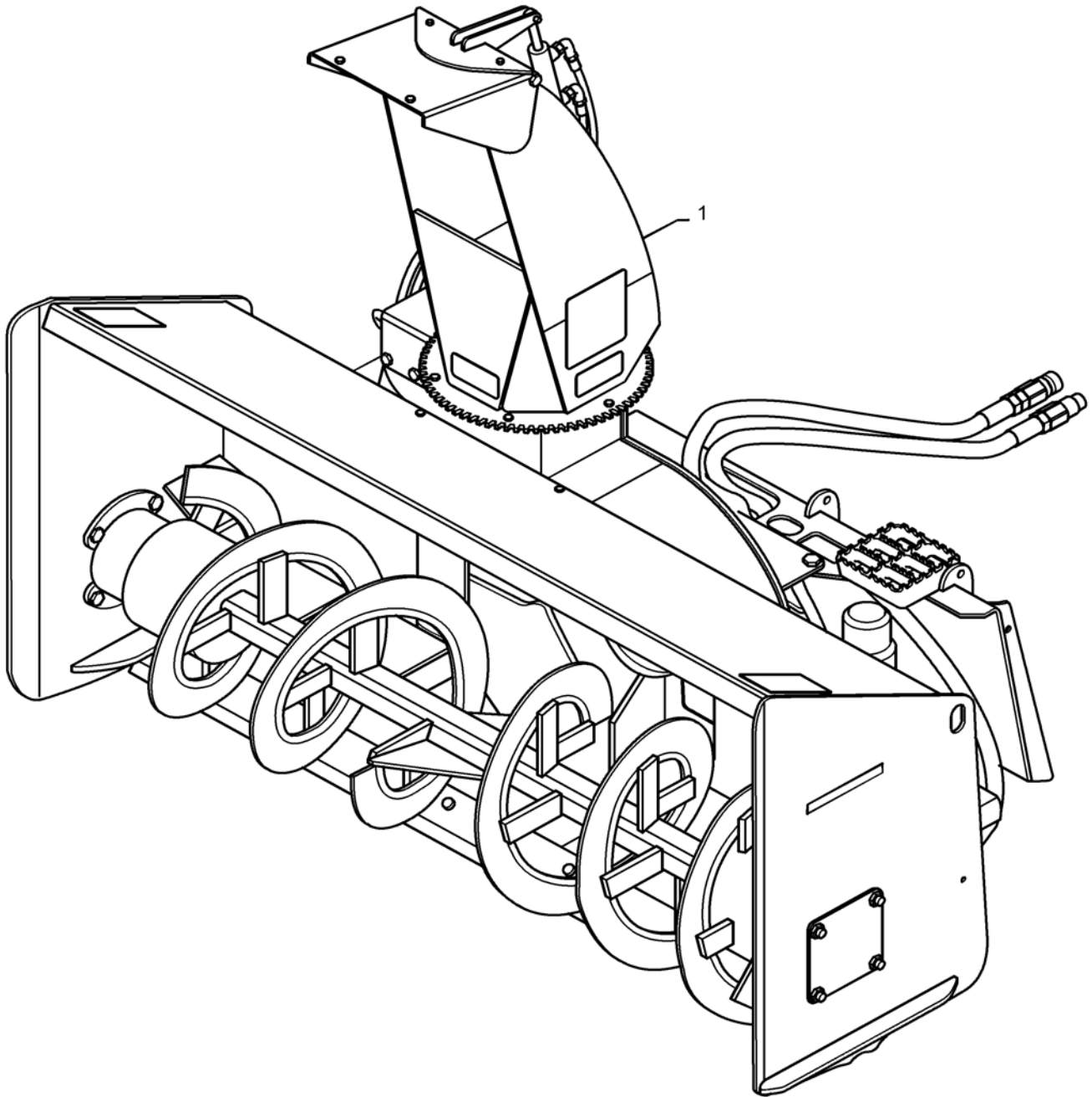
For Specified Skid Steer Loaders Equipped W/ Opt High Flow, Aux Boom Hydraulics

95.180.000

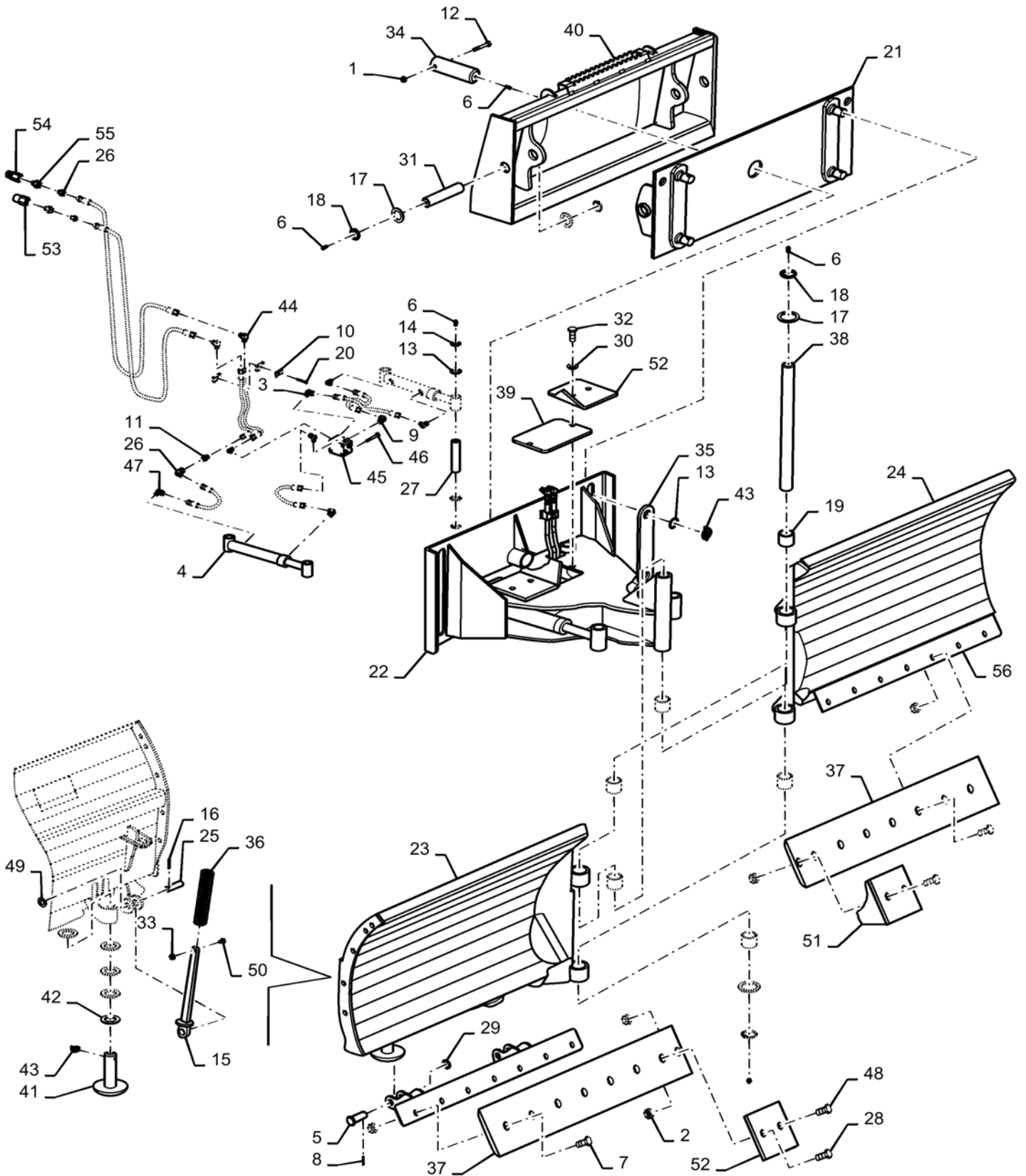
p1

7/2020

SNOW BLOWER



SNOW V BLADE



INDEX - INDICE - INDEX - ZAHLENVERZEICHNIS - INDICE - INDICE - INDHOLD - INHOUD

Number	Figure	Sequence	Ref.	Number	Figure	Sequence	Ref.
47537889	88.100.50	01	9	47553738	29.200.AI	02	5
47537889	88.100.50	02	34	47553738	29.200.AI	04	7
47537889	88.100.50	02	88	47553738	29.200.AI	04	20
47537889	88.100.50	02	90	47553738	29.200.AI	04	5
47537889	88.100.50	02	94	47553741	29.200.AI	02	6
47537904	55.404.CL		4	47553741	29.200.AI	04	14
47538119	55.404.CL		21	47553741	29.200.AI	04	14
47538121	55.404.CL		20	47553741	29.200.AI	04	19
47538126	55.404.CL		5	47553741	29.200.AI	04	6
47539004	35.734.AA	03	16	47553746	29.200.AI	02	7
47539004	88.035.09		6	47553746	29.200.AI	04	15
47539052	35.701.AX	02	6	47553746	29.200.AI	04	15
47539052	35.701.AX	02	7	47553746	29.200.AI	04	18
47539983	35.300.AD	02	8	47555277	55.404.AL	03	1
47540692	35.701.AX	02	13	47555277	88.100.55	03	11
47540692	35.701.AX	02	8	47555278	55.404.AL	02	1
47541193	55.404.CL		6	47555278	88.100.55	03	3
47542915	10.206.AO		1	47555646	88.010.01		4
47543410	88.035.04	03	1	47559995	95.016.010		9
47544620	55.101.AC	03	7	47559995	95.016.CCP		7
47544620	55.101.AC	03	7	47559995	95.016.CCQ		7
47544620	55.101.AC	04	7	47559995	95.016.CCR		7
47544620	55.101.AC	04	7	47559995	95.016.CCS		5
47544621	55.101.AC	02	6	47559995	95.016.EEN		6
47544623	55.101.AC	01	15	47559995	95.016.EEP		8
47544623	55.101.AC	02	16	47559995	95.016.EEQ		8
47544624	55.101.AC	03	18	47559995	95.016.EER		8
47544624	55.101.AC	04	18	47559995	95.016.EES		8
47544624	55.101.AC	05	18	47559997	95.016.020		9
47547471	82.100.AG	02	5	47559997	95.016.CCP		8
47550001	82.100.AG	02	1	47559997	95.016.CCQ		8
47550198	88.100.55	02	1	47559997	95.016.CCR		8
47550200	88.100.55	02	2	47559997	95.016.CCS		5
47551496	55.512.CL	04	3	47559997	95.016.EEP		9
47551496	55.512.CL	04	5	47559997	95.016.EEQ		9
47551499	55.512.CL	03	3	47559997	95.016.EER		9
47551499	55.512.CL	03	5	47559997	95.016.EES		9
47551543	90.100.BI	01	13	47560138	90.160.AX	02	8
47551543	90.100.BI	01	21	47560380	88.055.06		1
47551599	90.100.BI	01	21	47560382	88.055.06		1
47552532	10.414.BE	01	1	47561619	88.100.55	03	12
47552532	88.100.50	02	87	47561627	88.100.55	03	3
47552532	88.100.50	02	89	47564258	90.160.CK	02	4
47553737	88.055.05	02	7	47564261	90.160.CK	02	3
47553737	88.055.05	03	9	47567455	50.200.AT		10
47553737	88.055.05	05	8	47567455	88.100.50	02	86

INDEX - INDICE - INDEX - ZAHLENVERZEICHNIS - INDICE - INDICE - INDHOLD - INHOUD

Number	Figure	Sequence	Ref.	Number	Figure	Sequence	Ref.
84259663	55.101.AC	04	18	84263144	88.100.29	01	10
84259663	55.101.AC	04	27	84263144	88.100.29	01	10
84259663	55.101.AC	04	29	84263144	88.100.35	20	11
84259663	55.101.AC	04	17	84263144	88.100.35	21	9
84259663	55.101.AC	04	26	84263147	10.202.AB		3
84259663	55.404.AZ		8	84263147	10.202.AB		1
84259663	55.404.CY	01	24	84263147	10.254.AI		7
84259663	88.010.03		10	84263153	55.404.AZ		9
84259663	88.010.03		8	84263153	55.404.CY	01	3
84259682	35.701.AX	01	13	84263153	55.404.CY	01	9
84259682	35.701.AX	01	15	84263153	55.512.BG	01	10
84259682	35.701.AX	01	18	84263153	88.055.05	02	13
84259682	35.701.BR		6	84263153	88.055.05	03	17
84259682	35.734.AA	01	14	84263153	88.055.05	05	13
84259682	35.734.AA	01	15	84263153	88.055.05	06	5
84259682	88.035.01		8	84263253	82.300.AN	11	5
84259682	88.035.07		41	84263255	82.300.AN	19	5
84259682	88.035.07		10	84263257	82.300.AN	24	5
84259682	88.035.09		10	84263997	35.701.AX	02	15
84259689	88.035.11		23	84264002	35.701.AX	02	16
84259689	88.035.12		22	84264003	35.701.AX	02	17
84259690	90.160.AR	01	1	84265306	29.204.AB	01	40
84259690	90.160.AR	03	1	84265306	29.204.AB	02	3
84259693	90.160.AR	01	2	84265306	29.204.AB	02	5
84259693	90.160.AR	02	1	84265306	29.204.AB	04	1
84259722	90.154.010	01	14	84265306	29.204.AB	04	6
84259722	90.154.010	03	14	84266050	55.101.AC	01	25
84260450	88.100.82		6	84266050	55.101.AC	01	17
84262451	55.404.CY	01	10	84266050	55.101.AC	01	19
84262451	55.404.CY	01	6	84266050	55.101.AC	02	29
84262451	88.055.05	03	16	84266050	55.101.AC	02	17
84262451	88.055.05	06	12	84266050	55.101.AC	02	19
84262453	55.404.CY	01	8	84266050	55.101.AC	03	15
84262453	88.055.05	02	12	84266050	55.101.AC	03	18
84262455	55.404.CY	01	7	84266050	55.101.AC	04	15
84262455	88.055.05	06	16	84266050	55.101.AC	04	18
84262592	10.220.AA	01	3	84267444	55.101.AC	03	19
84262611	10.220.AA	03	18	84267444	55.101.AC	03	9
84262611	10.220.AA	03	18	84267444	55.101.AC	03	19
84263144	55.512.CL	01	5	84267444	55.101.AC	03	9
84263144	55.512.CL	01	7	84267444	55.101.AC	03	22
84263144	55.512.CL	02	5	84267444	55.101.AC	04	19
84263144	55.512.CL	02	7	84267444	55.101.AC	04	9
84263144	88.035.04	03	24	84267444	55.101.AC	04	19
84263144	88.090.010		10	84267444	55.101.AC	04	22
84263144	88.090.020		10	84267543	50.100.AC	01	3

INDEX - INDICE - INDEX - ZAHLENVERZEICHNIS - INDICE - INDICE - INDHOLD - INHOUD

Number	Figure	Sequence	Ref.	Number	Figure	Sequence	Ref.
84485879	90.154.020	01	13	84495949	10.254.AI		12
84486991	90.156.AZ	02	5	84495949	10.254.AI		14
84486992	90.156.AZ	03	5	84495949	10.254.AI		15
84486993	90.156.AZ	02	6	84499138	90.150.AD		3
84486994	90.156.AZ	03	6	84499497	10.400.BE		28
84488980	10.400.AY		19	84499505	10.400.BE		29
84488980	10.400.AY		30	84499760	29.202.AJ	02	10
84488997	88.090.02		6	84499760	29.202.AJ	02	9
84488997	88.100.90	21	6	84499763	29.202.AJ	02	10
84488997	90.156.AZ	01	6	84499763	29.202.AJ	02	9
84488997	90.156.AZ	03	1	84499766	29.202.AJ	02	10
84488998	88.090.02		7	84499766	29.202.AJ	02	9
84488998	88.100.90	21	7	84499769	29.202.AJ	02	10
84488998	90.156.AZ	01	7	84499769	29.202.AJ	02	9
84488998	90.156.AZ	02	1	84499771	29.202.AJ	02	7
84490975	88.090.02		2	84511713	29.204.AB	02	12
84490978	10.202.AD		18	84511713	29.204.AB	04	14
84491577	55.512.BG	01	11	84511713	29.204.AB	04	2
84491894	10.202.AD		19	84512810	95.050.AAN		1
84491894	10.254.AI		12	84512810	95.050.AAP		1
84491894	10.254.AI		13	84512810	95.050.AAQ		1
84492067	90.108.AB		4	84512810	95.050.AAR		1
84492067	90.108.AB		5	84512810	95.050.AAS		1
84492067	90.108.AB		7	84512811	95.050.AAN		2
84492069	90.108.AB		3	84512811	95.050.AAP		2
84492069	90.108.AB		4	84512811	95.050.AAQ		2
84492069	90.108.AB		8	84512811	95.050.AAR		2
84492738	10.202.AD		20	84512811	95.050.AAS		2
84492738	10.254.AI		13	84512885	10.216.AI		3
84492738	10.254.AI		14	84512931	35.300.AD	01	4
84493112	35.701.BR		10	84513656	10.414.AC		2
84493112	35.701.BR		12	84513689	90.156.AB	02	15
84493112	88.035.01		12	84514060	95.004.AAP		55
84493112	88.035.01		12	84514060	95.004.AAS		16
84493198	90.108.AB		1	84514060	95.102.000		51
84493199	90.108.AB		1	84514060	95.120.000		51
84493200	90.108.AB		1	84514060	95.167.000		56
84493200	90.108.AB		6	84515395	89.001.00		21
84493201	90.108.AB		6	84515396	89.001.00		22
84493578	90.108.AC		2	84515397	89.001.00		23
84493954	10.202.AB		1	84515674	89.001.00		28
84494851	88.090.10		8	84515687	89.001.00		29
84494851	88.090.11		3	84515688	89.001.00		30
84494871	88.090.10		9	84515689	89.001.00		31
84494871	88.090.11		4	84518091	10.202.AD		22
84494951	88.090.11		5	84518091	10.202.AD		7

INDEX - INDICE - INDEX - ZAHLENVERZEICHNIS - INDICE - INDICE - INDHOLD - INHOUD

Number	Figure	Sequence	Ref.	Number	Figure	Sequence	Ref.
87046585	10.254.AC	01	8	87282056	90.154.020	04	51
87046586	10.254.AC	01	5	87283961	55.991.AE		3
87046587	10.254.AC	01	16	87283961	88.055.30		13
87046587	10.254.AC	02	12	87298764	10.218.AE		6
87046587	10.254.AC	03	7	87298765	10.218.AE		6
87046588	10.254.AC	01	14	87299776	95.018.CCM		5
87046588	10.254.AC	02	11	87299779	95.018.CCM		6
87046588	10.254.AC	03	6	87301276	35.734.AA	01	18
87048529	95.024.AAN		6	87301276	35.734.AA	03	20
87048529	95.024.CCN		4	87301276	88.035.07		5
87048529	95.024.CCP		4	87301276	88.035.09		5
87048529	95.024.CCQ		4	87301277	10.400.AY		18
87048529	95.024.CCS		4	87301277	10.400.AY		30
87048529	95.032.AAN		4	87301277	10.400.BE		23
87048529	95.032.AAP		4	87301277	10.400.BF		28
87048529	95.032.AAQ		4	87301277	10.400.BF	02	10
87048529	95.032.AAR		5	87301277	10.400.BF	02	10
87048529	95.032.AAS		5	87301277	88.088.02	02	11
87048529	95.172.000		4	87301277	88.088.04		5
87048530	95.024.CCN		1	87301277	88.089.03		7
87048530	95.024.CCP		1	87301277	88.100.90	23	14
87048530	95.024.CCQ		1	87301324	29.200.AI	05	4
87048530	95.024.CCS		1	87301324	88.100.55	03	10
87048531	95.024.CCS		1	87301324	88.100.55	03	10
87050300	95.161.000		1	87301324	90.160.AM		6
87050301	95.161.000		1	87301324	90.160.AM		8
87050389	95.163.000		1	87301330	10.304.AF		12
87050942	95.101.000		1	87301330	10.304.AJ		12
87050942	95.112.000		1	87301330	35.220.AA		6
87050942	95.131.000		1	87301330	35.701.010	01	9
87052642	10.254.AC	04	1	87301330	35.701.020	01	8
87052892	10.414.AC		5	87301330	35.701.030	01	3
87054825	10.210.AF		24	87301330	35.701.BU	02	9
87056123	10.254.AC	04	7	87301330	35.701.BU	02	8
87056125	10.254.AC	04	10	87301330	88.035.06		11
87056169	10.254.AC	04	3	87301330	88.035.10	01	12
87057433	82.300.AN	27	3	87301330	88.035.10	01	8
87057433	82.300.AN	28	3	87301330	88.035.10	02	12
87058492	88.035.16		38	87301330	88.035.10	04	9
87058492	88.035.16		35	87301490	35.734.AA	01	19
87105841	50.200.BY		16	87301490	55.101.AC	01	28
87105841	50.200.BY		18	87301490	55.101.AC	01	27
87105841	88.050.06		42	87301490	55.101.AC	01	38
87105841	88.050.10		37	87301490	55.101.AC	02	28
87276	88.088.06		3	87301490	55.101.AC	02	30
87282056	90.154.010	04	52	87301490	55.101.AC	02	43

CLICK HERE TO **DOWNLOAD** THE COMPLETE MANUAL

- Thank you very much for reading the preview of the manual.
- You can download the complete manual from: [www.heydownloads.com](http://www.heydownloads.com) by clicking the link below



- Please note: If there is no response to CLICKING the link, please download this PDF first and then click on it.

CLICK HERE TO **DOWNLOAD** THE COMPLETE MANUAL