

All rights reserved by **CNHi**.

The information contained in this catalogue is intended to be of a general nature only. **CNHi** may at any time and from time to time, for technical or other necessary reasons, modify any of the details or specifications of the product described in this catalogue.

To be sure of getting accurate, detailed and up-to-date information, an intending buyer should consult his nearest **CNHi** dealer or distributor.

Single item numeration method used in this catalogue may not be used without written consent from **CNHi**.

CLICK HERE TO **DOWNLOAD** THE COMPLETE MANUAL

- Thank you very much for reading the preview of the manual.
- You can download the complete manual from: www.heydownloads.com by clicking the link below



- Please note: If there is no response to **CLICKING** the link, please download this PDF first and then click on it.

CLICK HERE TO **DOWNLOAD** THE COMPLETE MANUAL

TABLE OF CONTENTS

71.000.00	01	SECTION INDEX - LUBRICANT
71.000.00	02	SECTION INDEX - LUBRICANT
71.460.AF	01	VAR - 481258, 781172, 481265 - LUBRICATION LINE
71.460.AF	02	VAR - 461559, 481064 - LUBRICATION LINE
71.460.AF	03	VAR - 461025 - LUBRICATION LINE
84.000.00	01	SECTION INDEX - BOOM, DIPPER, BUCKET
84.000.00	02	SECTION INDEX - BOOM, DIPPER, BUCKET
84.001.00		ATTACHMENT, BOOM, DIPPER, BUCKET
84.100.AB	01	BUCKET (L=300MM)
84.100.AB	01	VAR - 461439 - BUCKET (L=220MM) ANZ
84.100.AB	02	BUCKET (L=350MM)
84.100.AB	02	VAR - 481196 - BUCKET (L=280MM) ANZ
84.100.AB	03	BUCKET (L=400MM)
84.100.AB	04	BUCKET (L=450MM)
84.100.AB	05	BUCKET (L=500MM)
84.100.AB	06	BUCKET (L=600MM)
84.100.AB	07	BUCKET (L=750MM)
84.100.AB	08	BUCKET (L=850MM)
84.100.AP	01	VAR - 781172, 481062, 481063, 481265 - LINK AND ROD
84.100.AP	02	VAR - 461023 - LINK, ROD
84.100.AQ		VAR - 781172, 481062, 481063, 481265 - LINKAGE PIN
84.101.516		BUCKET, HYDRAULIC CYLINDER, QUICK COUPLER
84.114.AJ		VAR - 461559, 481064, 461025 - BOOM AND SWING SUPPORT
84.910.AA	01	VAR - 481858 - BOOM
84.910.AA	02	VAR - 461559, 481064, 461025 - BOOM
84.910.AA	03	VAR - 461025 - BOOM
84.910.AB		VAR - 461559, 481064, 461025 - SECOND BOOM
84.910.AC	01	VAR - 481858 - PINS
84.910.AC	02	VAR - 461559, 481064, 461025 - PINS
84.910.AC	03	VAR - 461559, 481064, 461025 - PINS
84.910.AC	04	VAR - 481858, 781172, 481265 - PIN
84.910.AC	05	VAR - 461559, 481064 - PIN
84.910.AC	06	VAR - 481265 - PIN
84.910.AC	07	VAR - 481858, 461025 - PIN

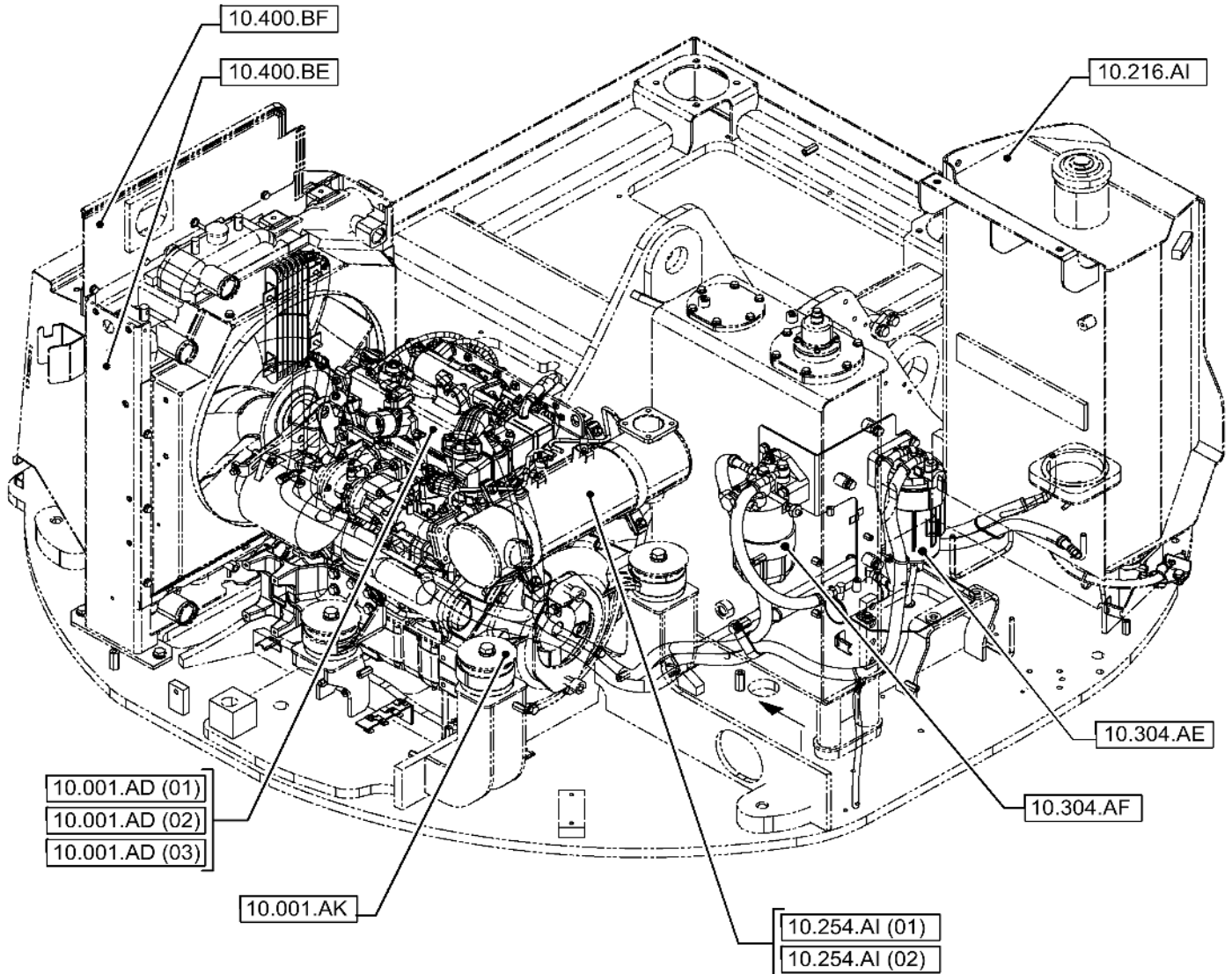
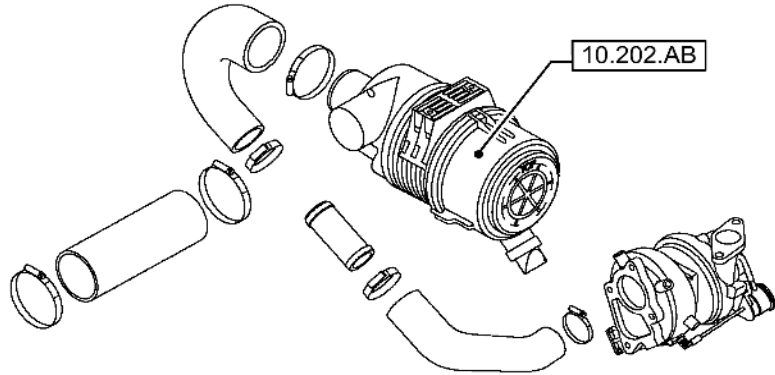
00.000.10

01

p1

12/201
9

PICTORIAL INDEX - ENGINE

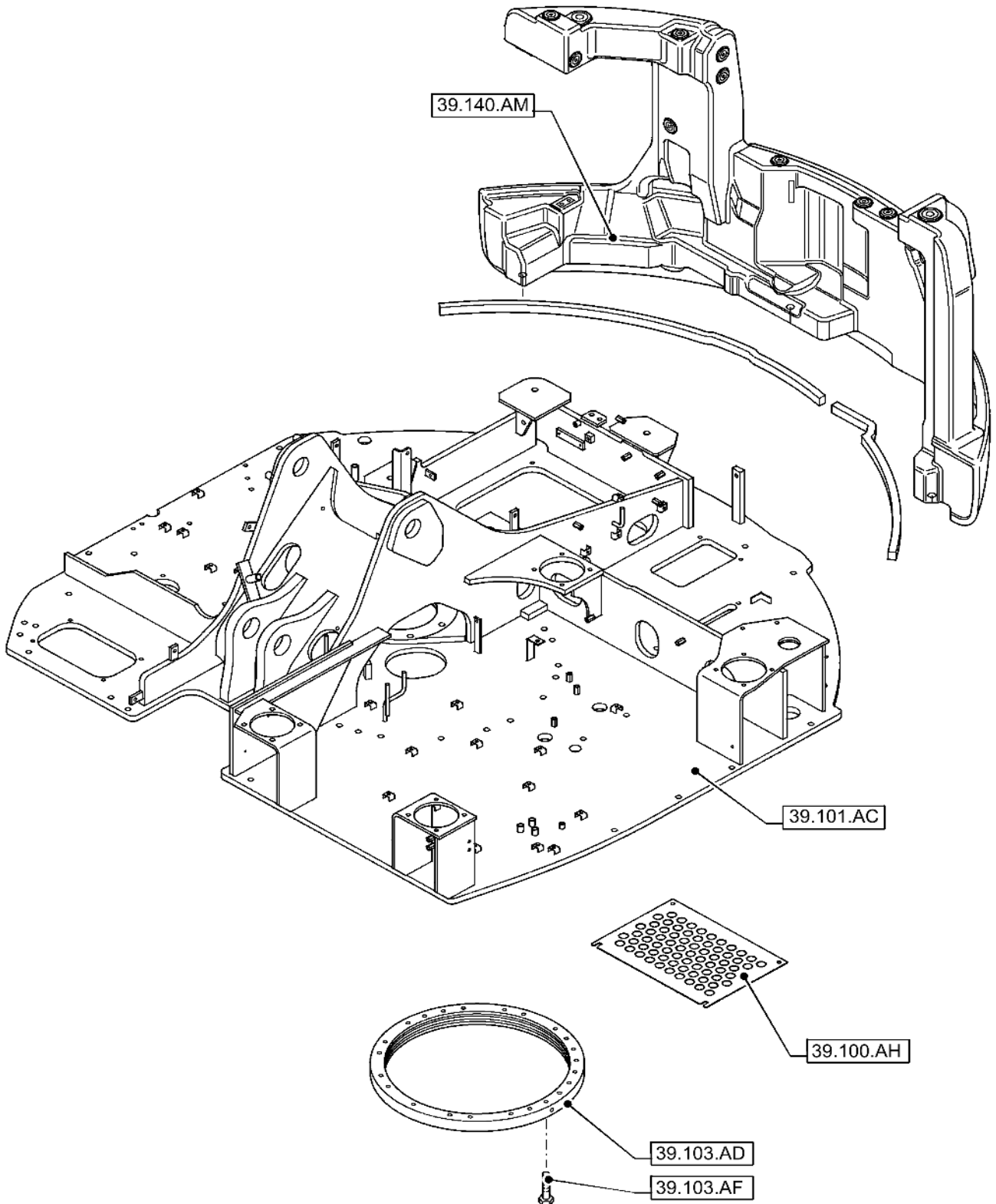


00.000.39

p1

12/2019

PICTORIAL INDEX - FRAMES AND BALLASTING



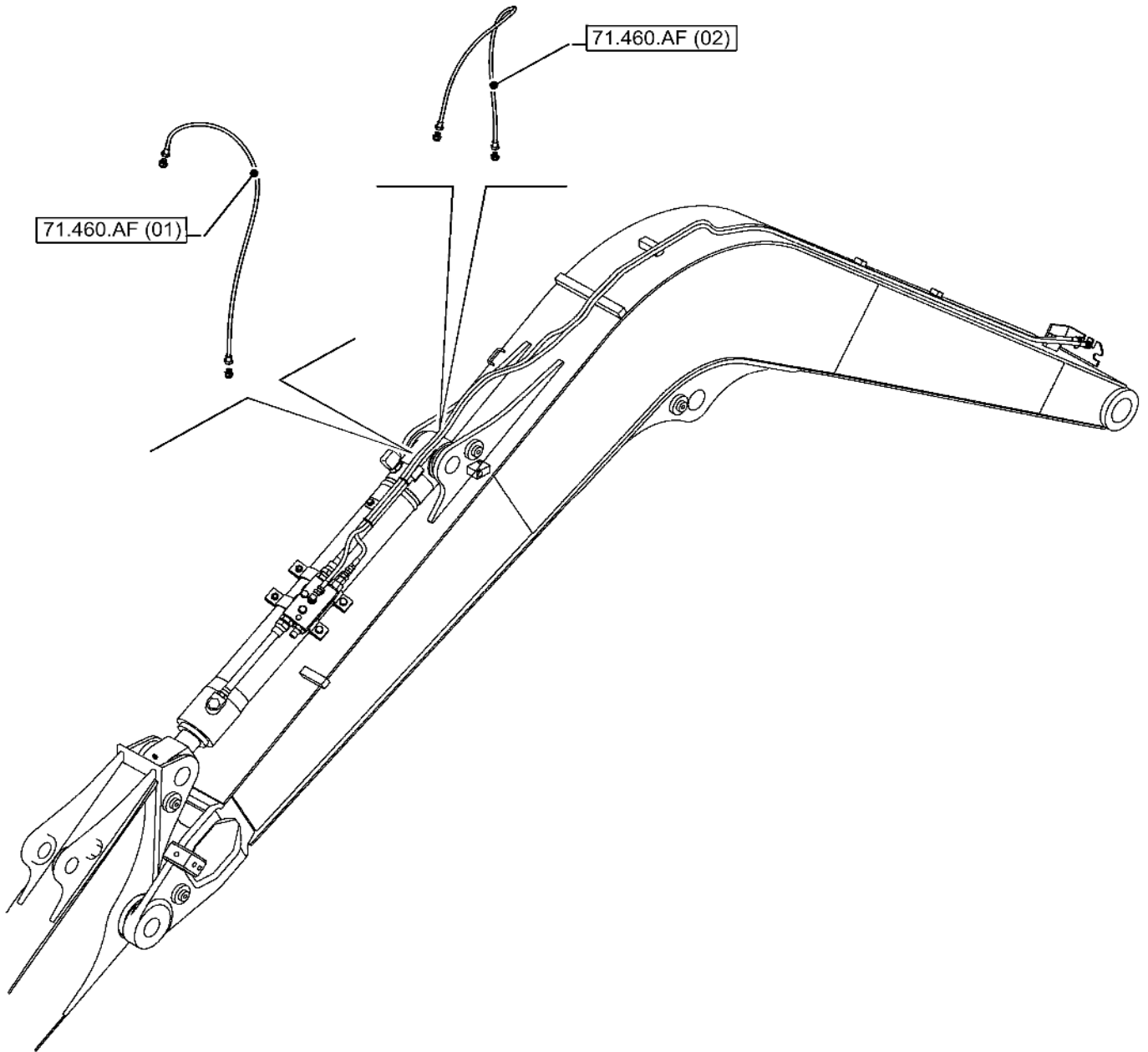
00.000.71

01

p1

12/201
9

PICTORIAL INDEX - LUBRICANT



SECTION INDEX

SERVICE & MAINTENANCE

05.000.00	SECTION INDEX - MAINTENANCE
05.100.01	INITIAL STOCKING LIST
05.100.02	INITIAL STOCKING LIST
05.100.04	MAINTENANCE, SERVICE KIT (500H)
05.102.AA	FIRE EXTINGUISHER

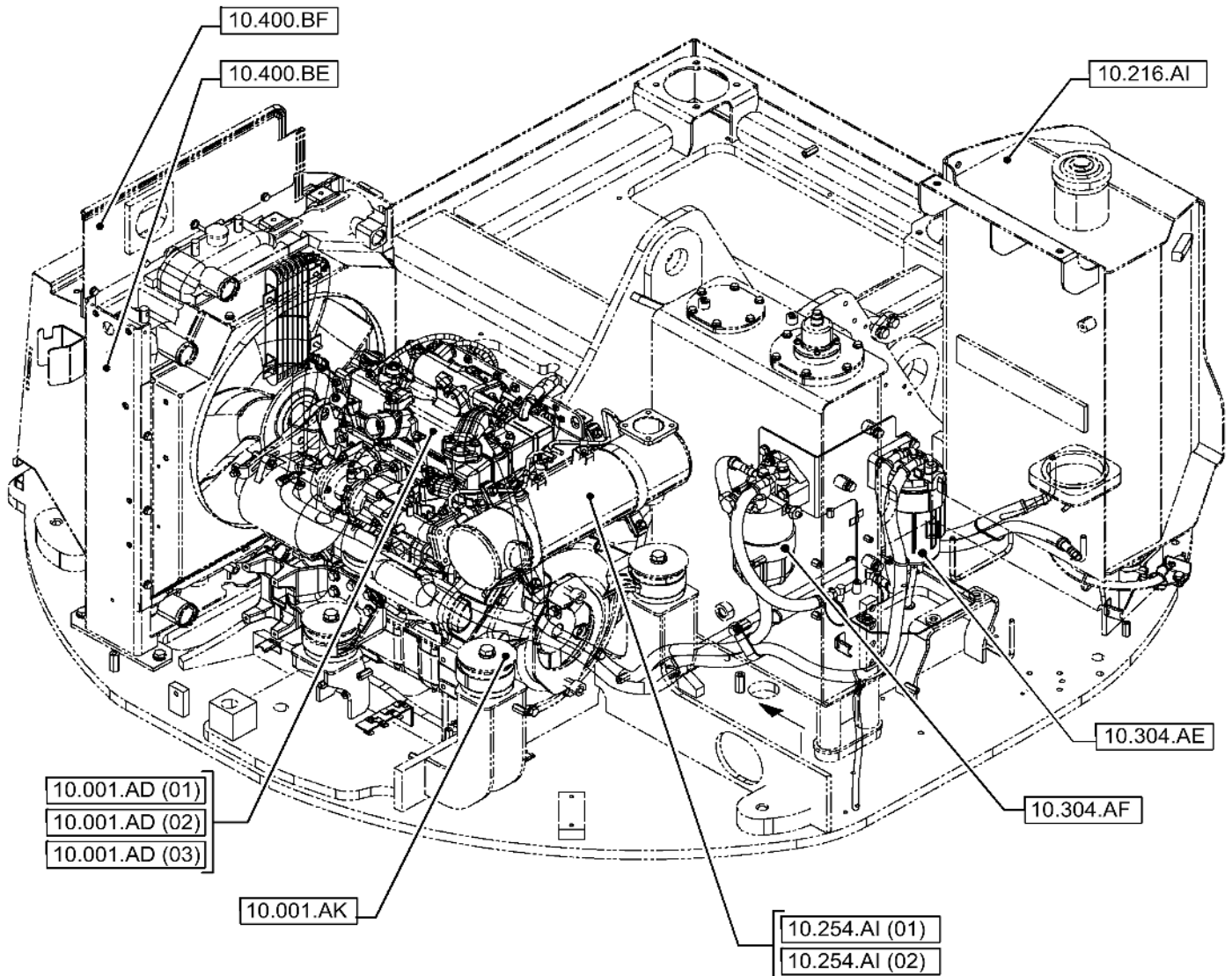
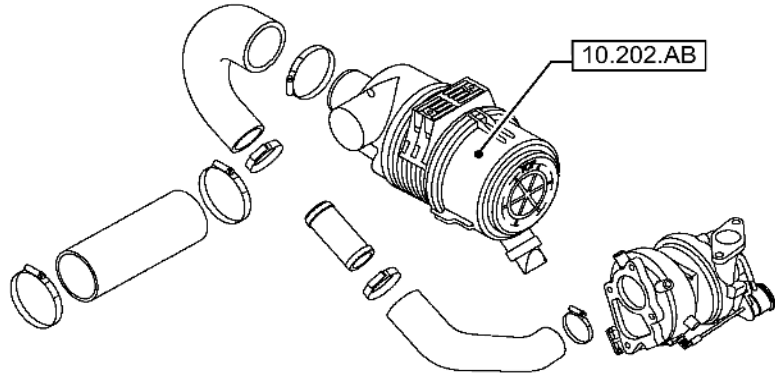
10.000.00

01

p1

12/201
9

SECTION INDEX - ENGINE

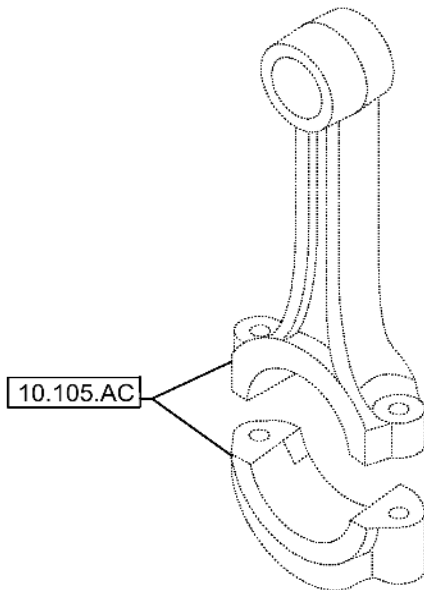
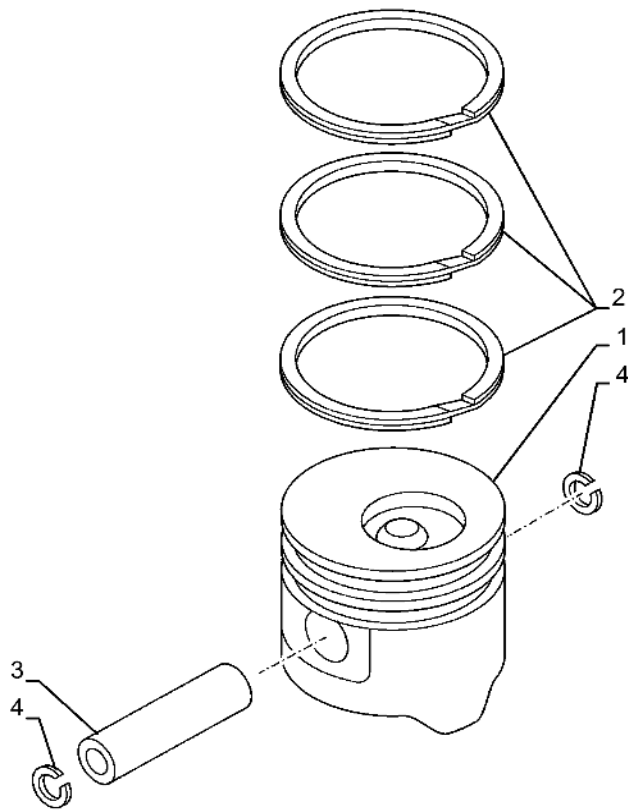


10.105.AG

p1

12/201
9

PISTON

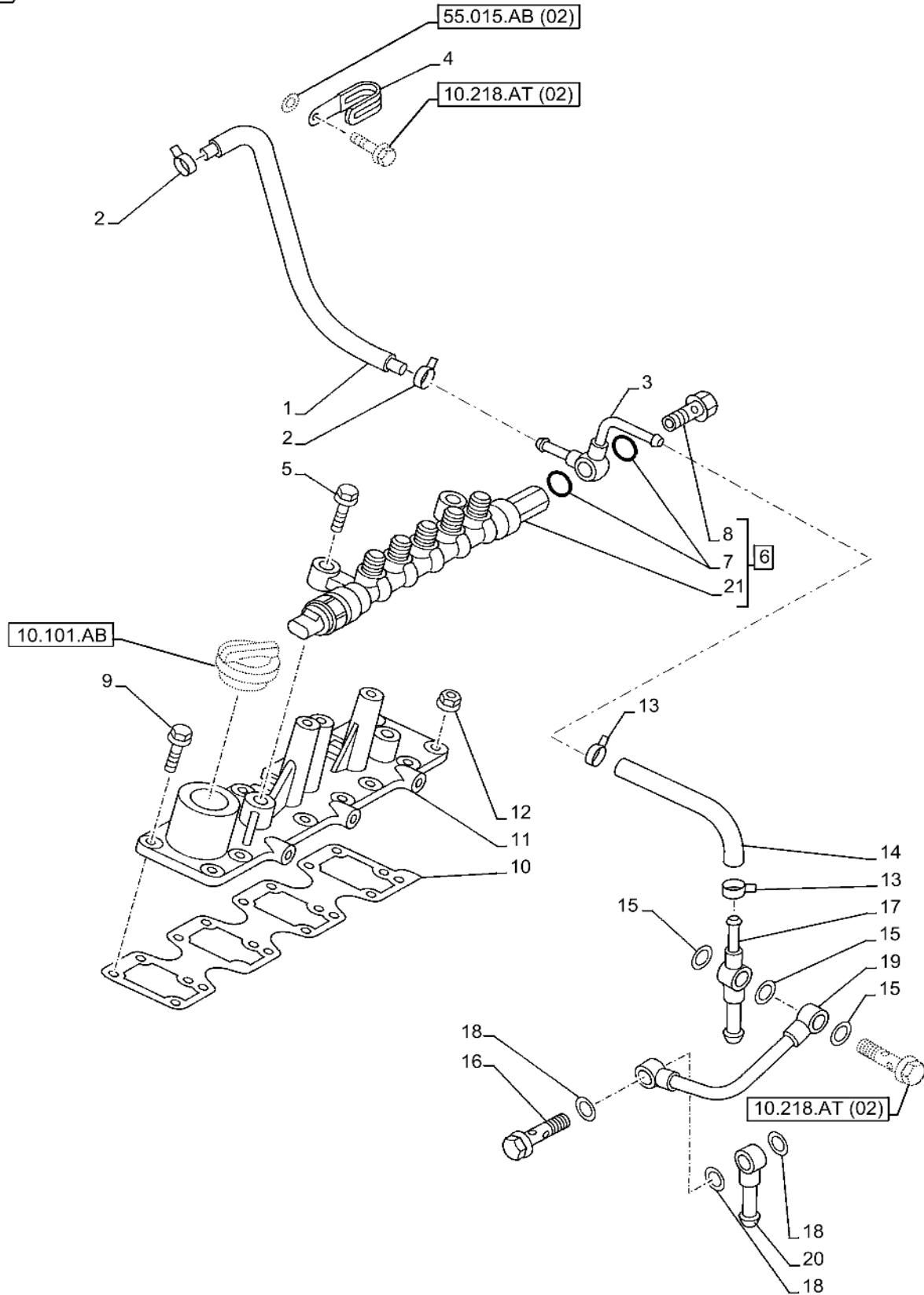


10.218.AB

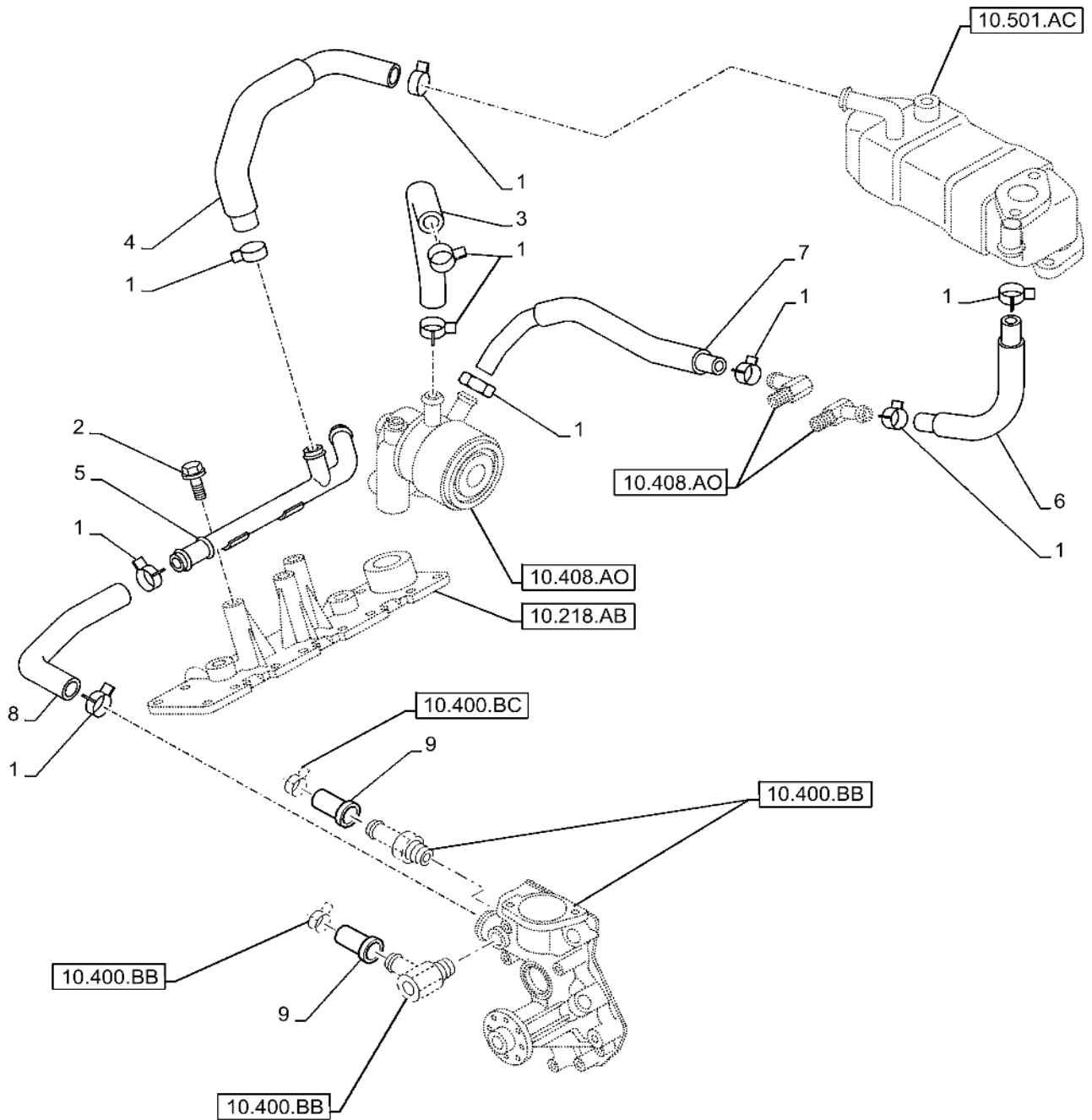
p1

12/201
9

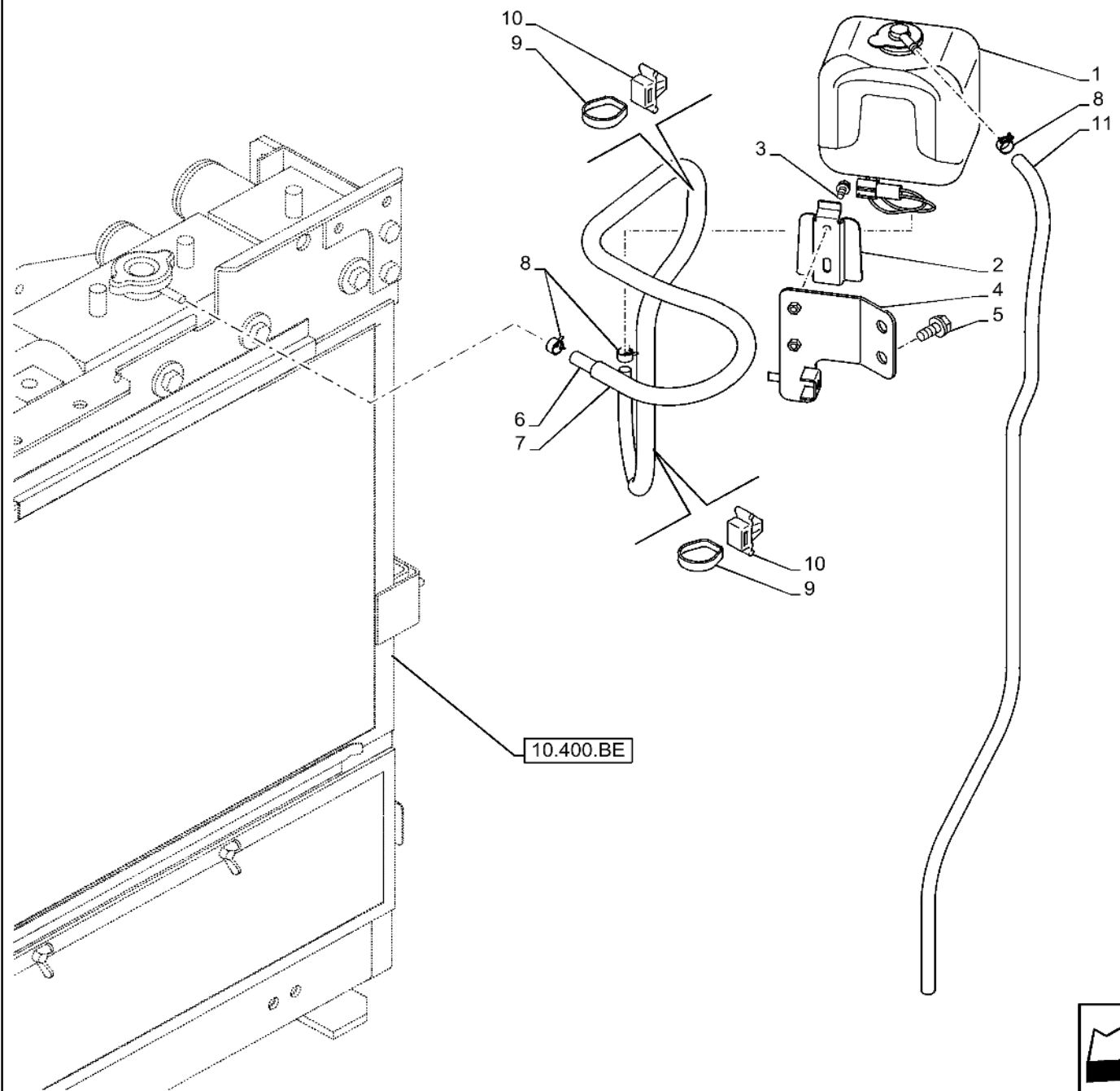
COMMON RAIL LINES



WATER PUMP TO HEAT EXCHANGER LINES



EXPANSION TANK



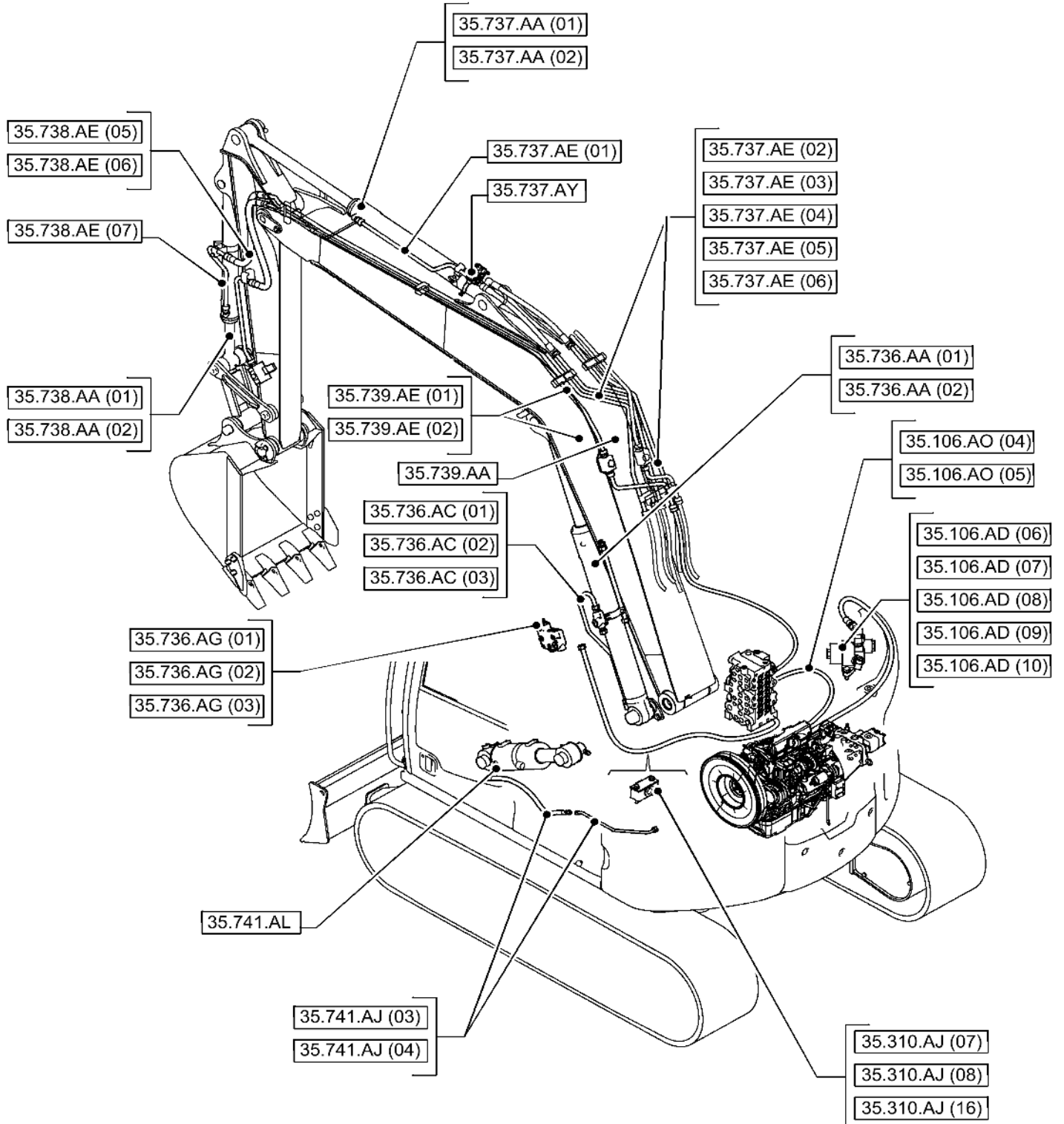
35.000.00

02

p1

12/201
9

SECTION INDEX - HYDRAULIC SYSTEM



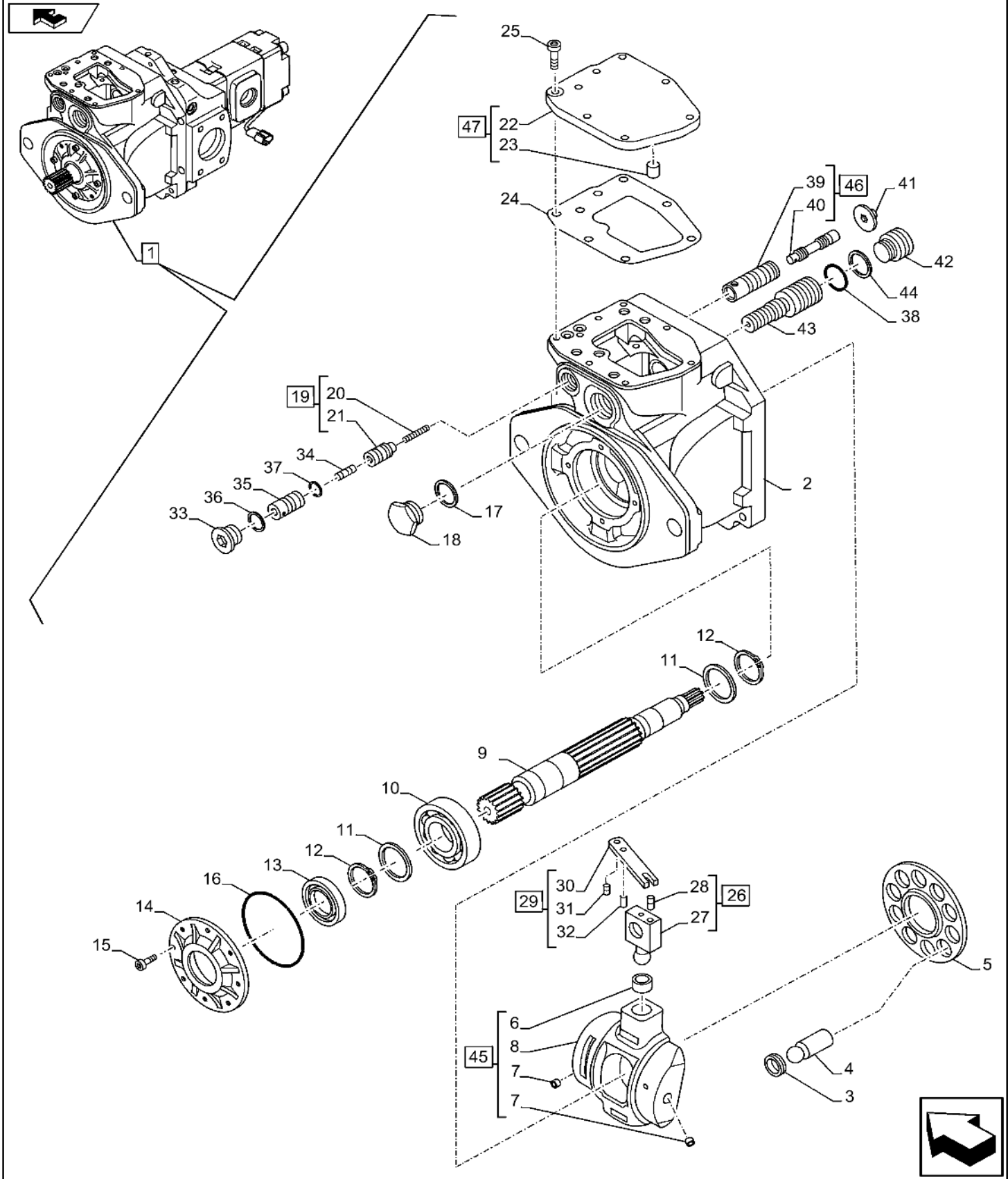
35.106.AD

04

p1

12/2019

VAR - 461863 - PUMP



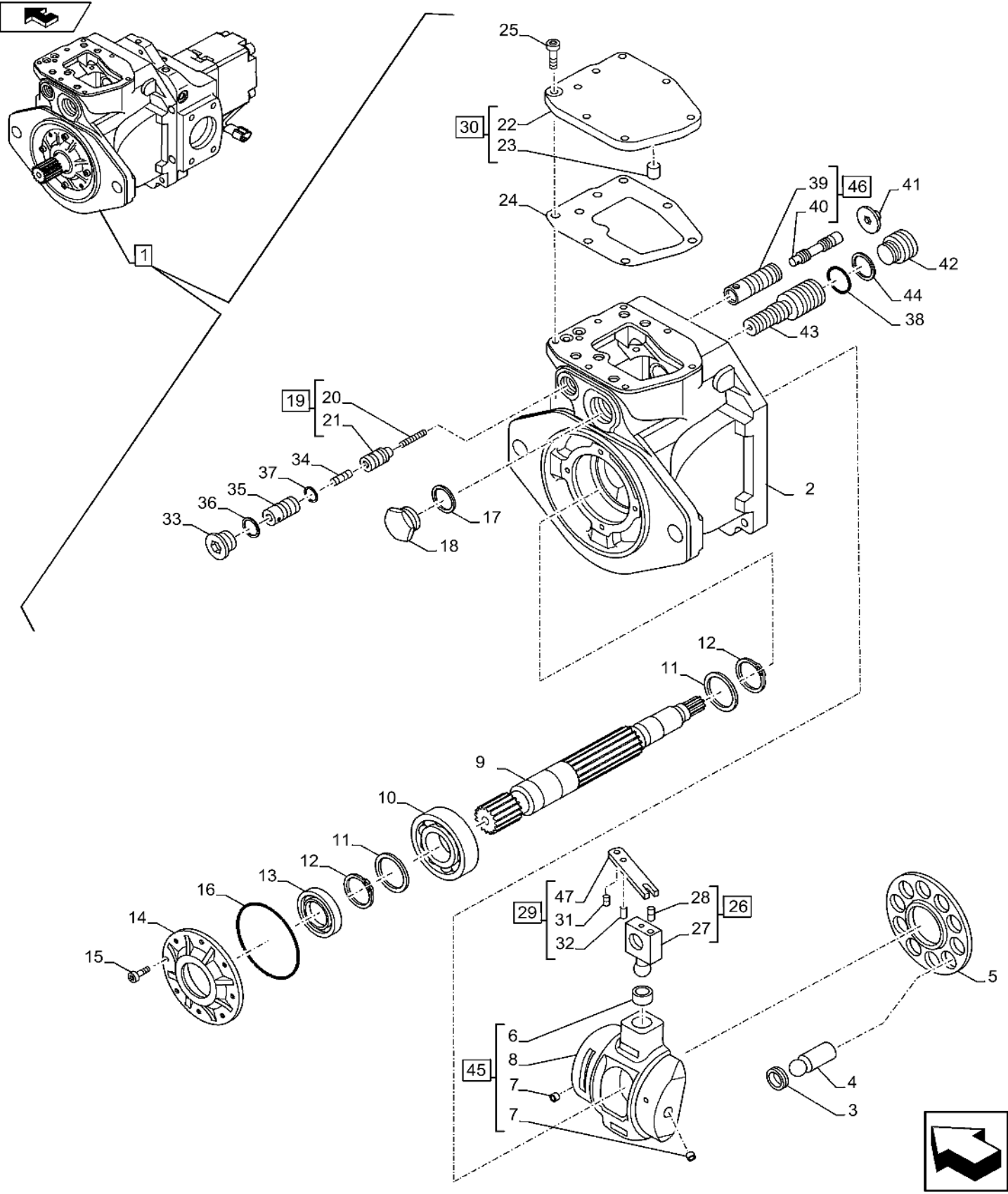
35.106.AD

09

p1

12/2019

PUMP



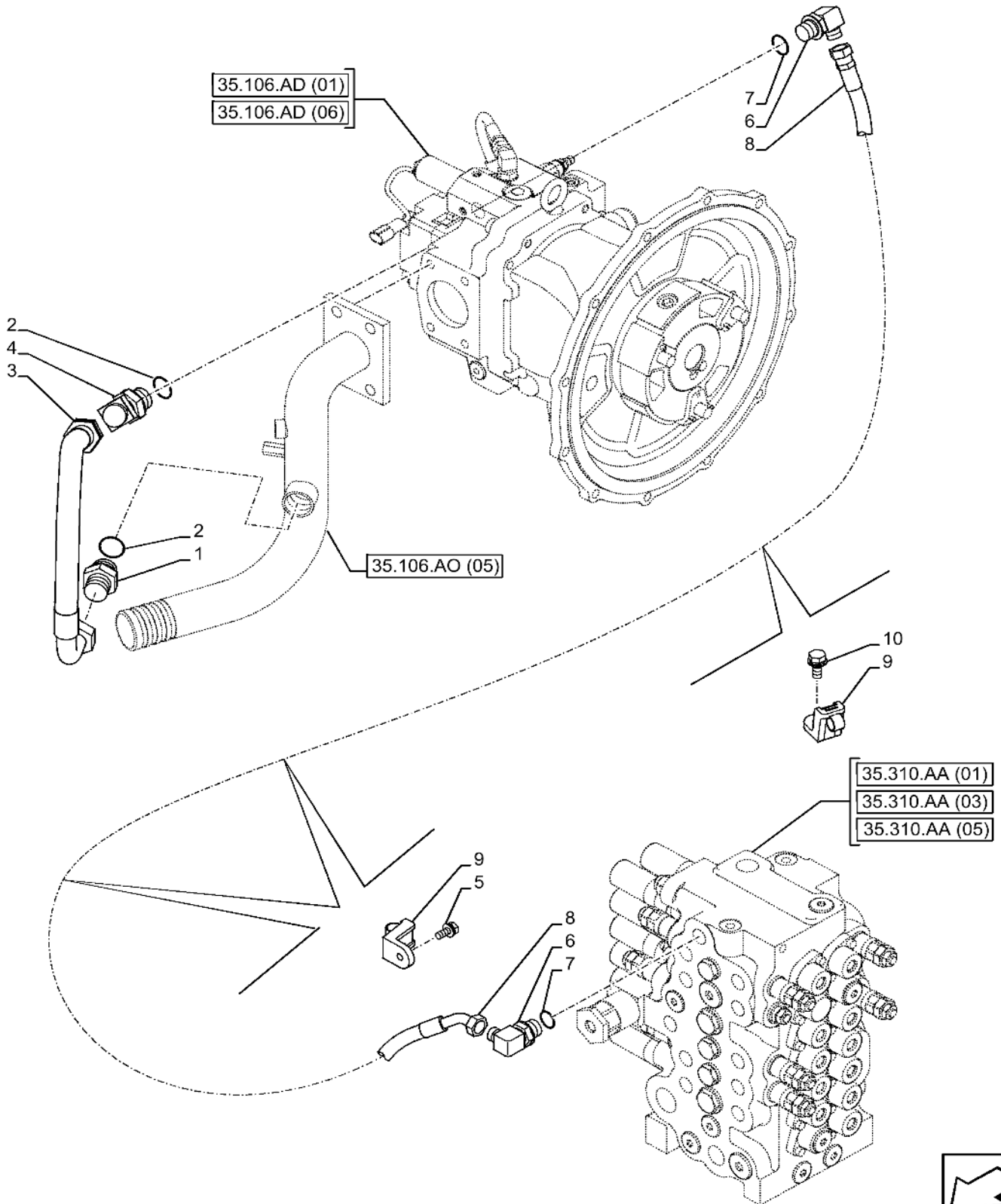
35.106.AO

04

p1

12/201
9

PUMP PUMP LINES OIL LINES



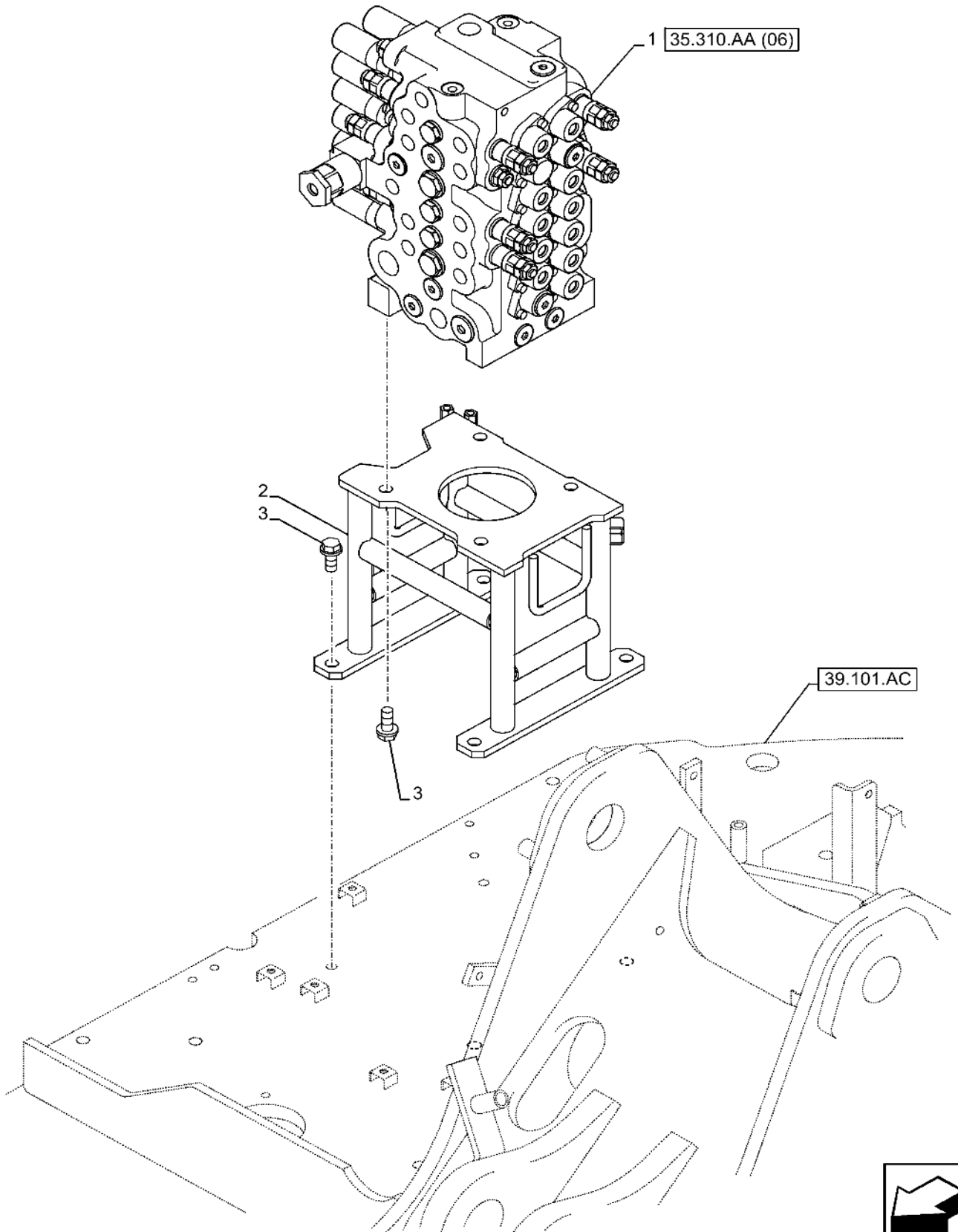
35.310.AA

05

p1

12/201
9

CONTROL VALVE



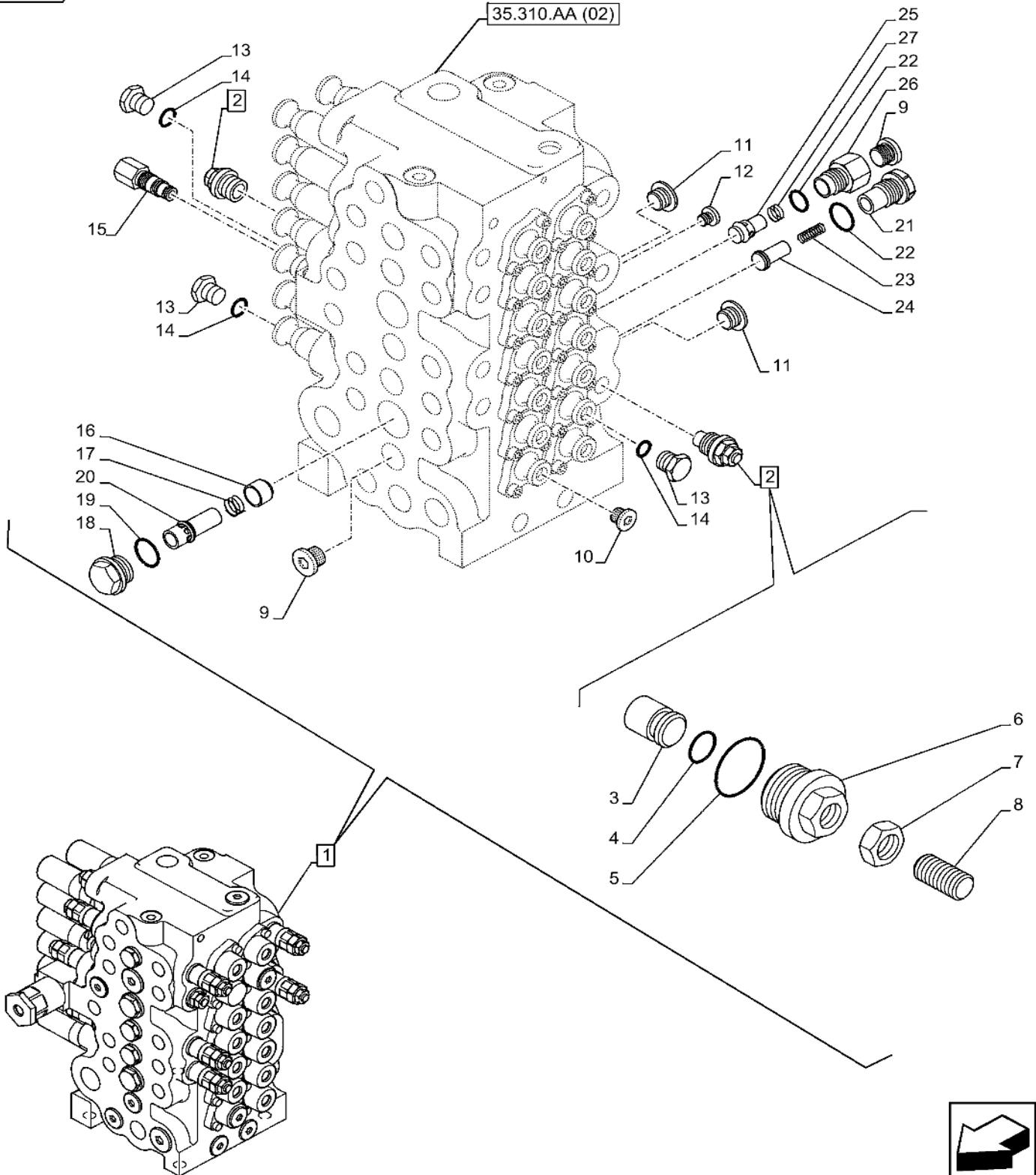
35.310.AA

11

p1

12/201
9

VAR - 461025 - CONTROL VALVE



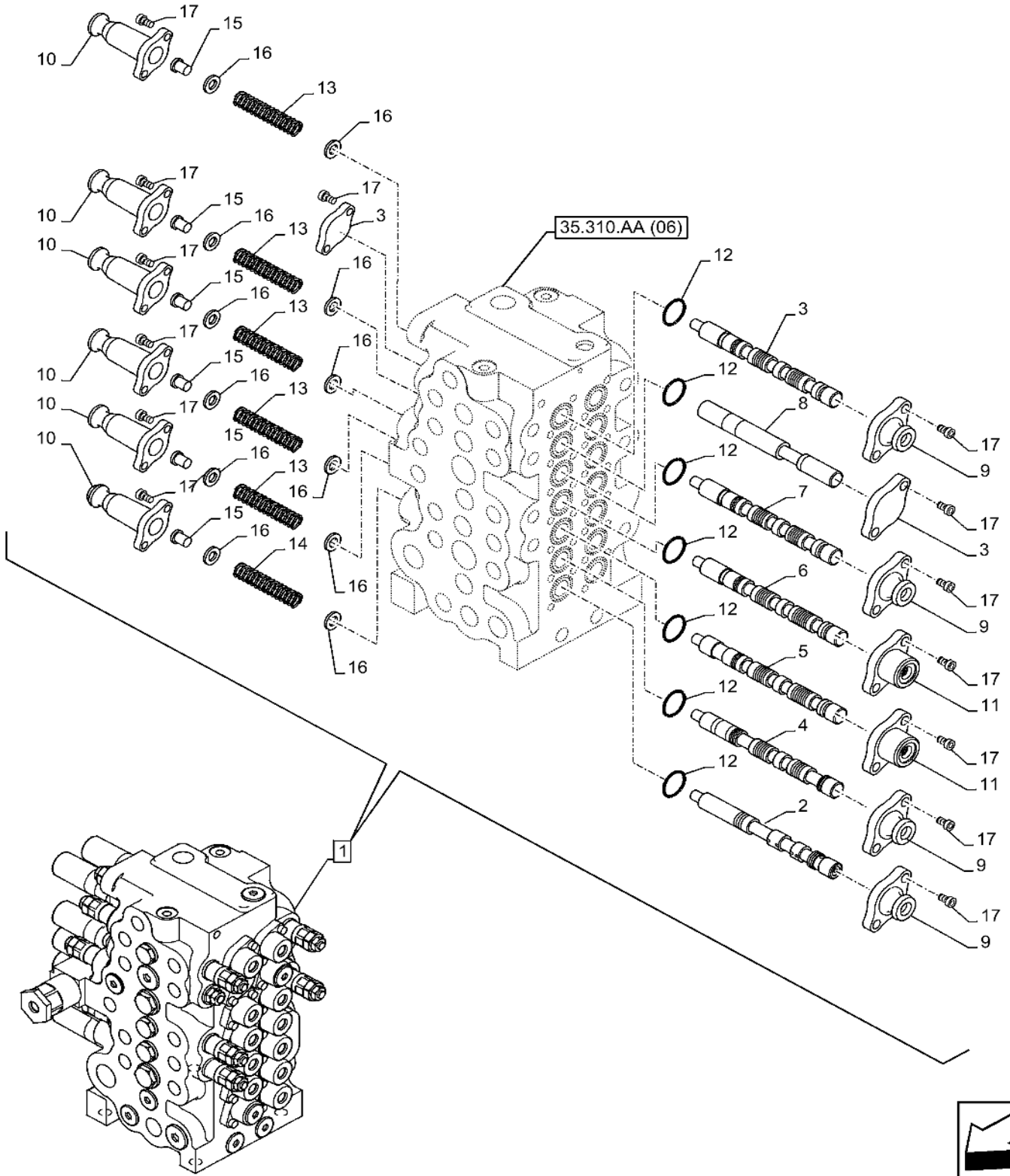
35.310.AA

19

p1

12/2019

VAR - 461025 - CONTROL VALVE



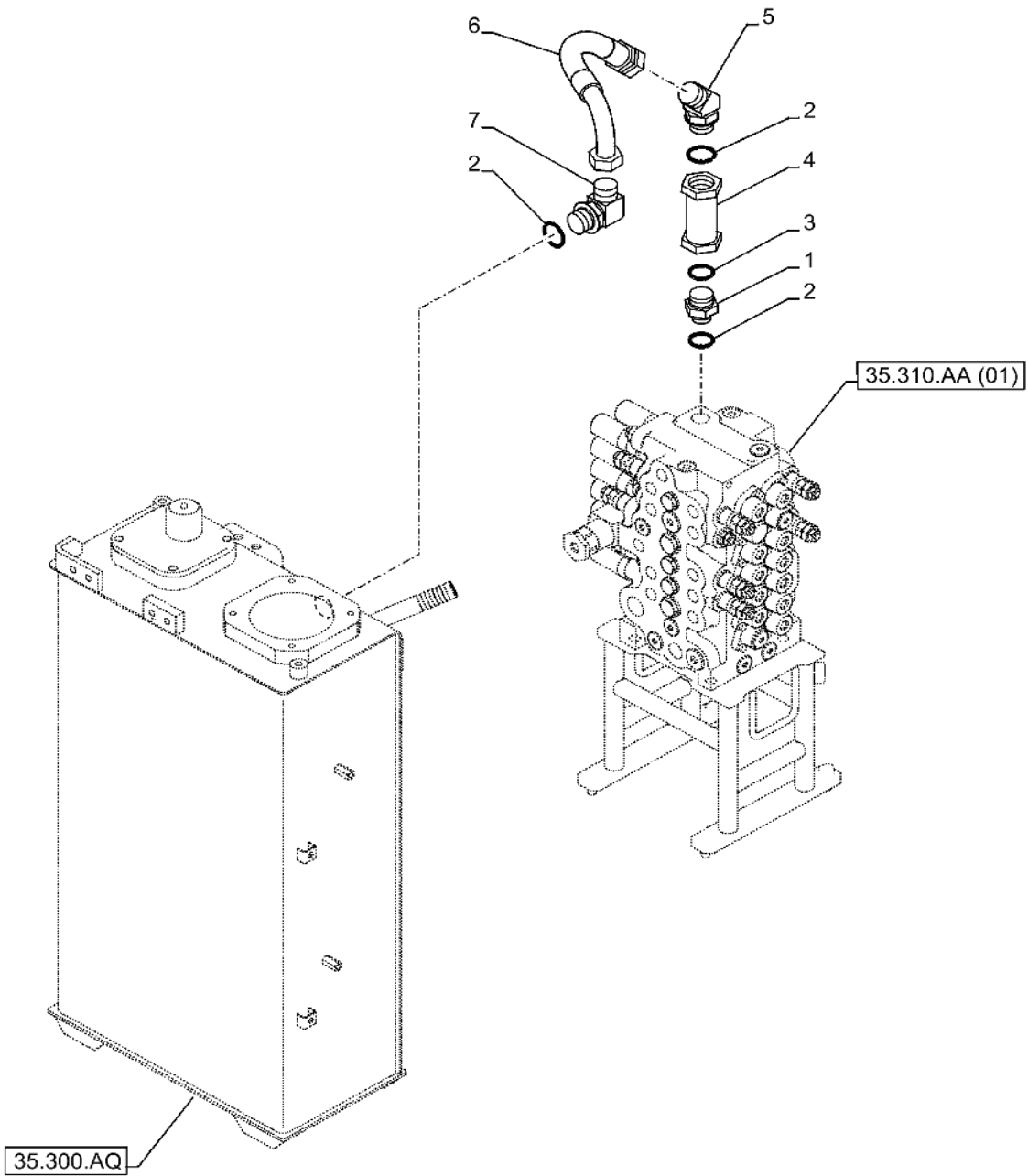
35.310.AG

01

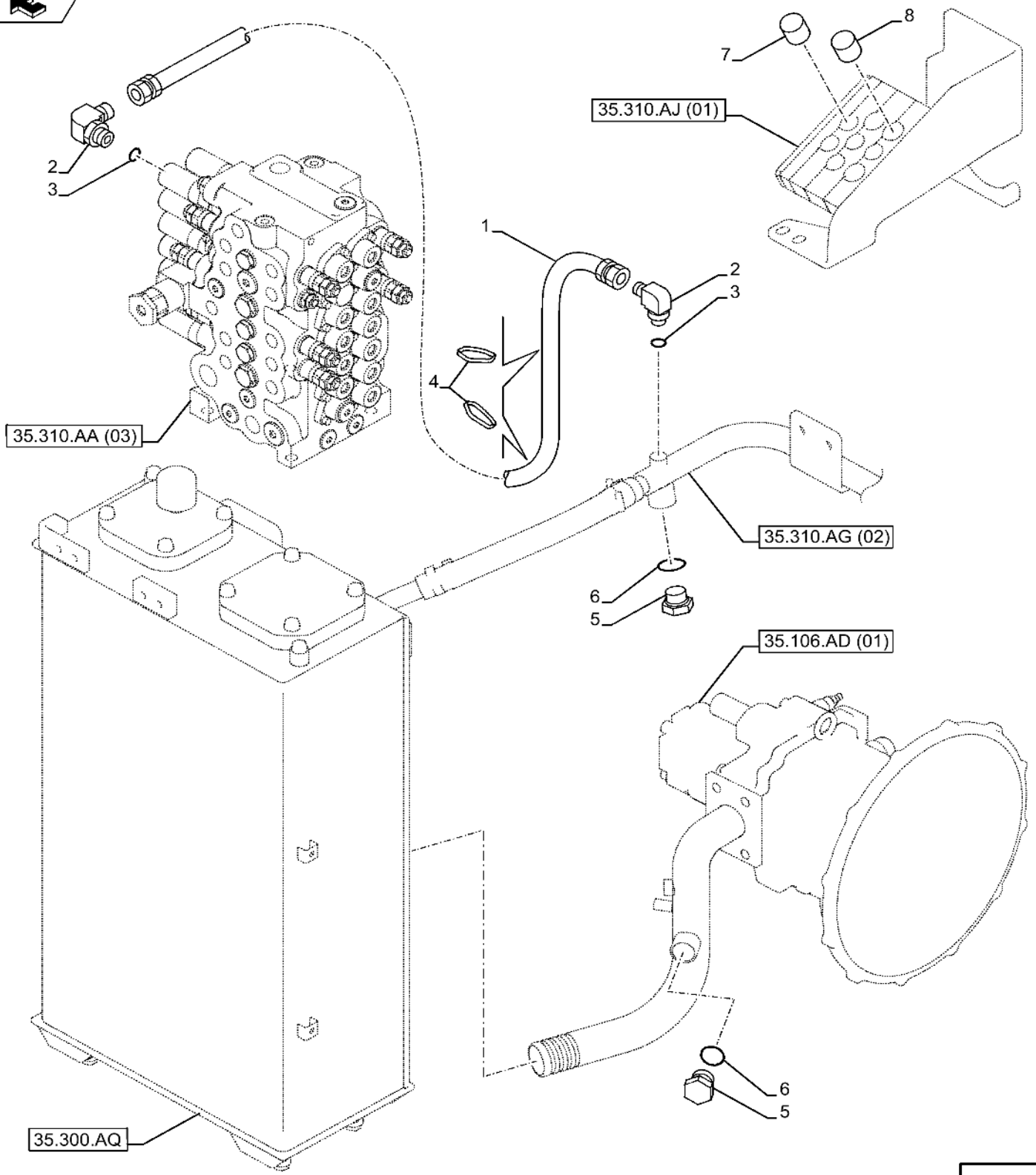
p1

12/2019

OIL RETURN LINE



OIL RETURN LINE



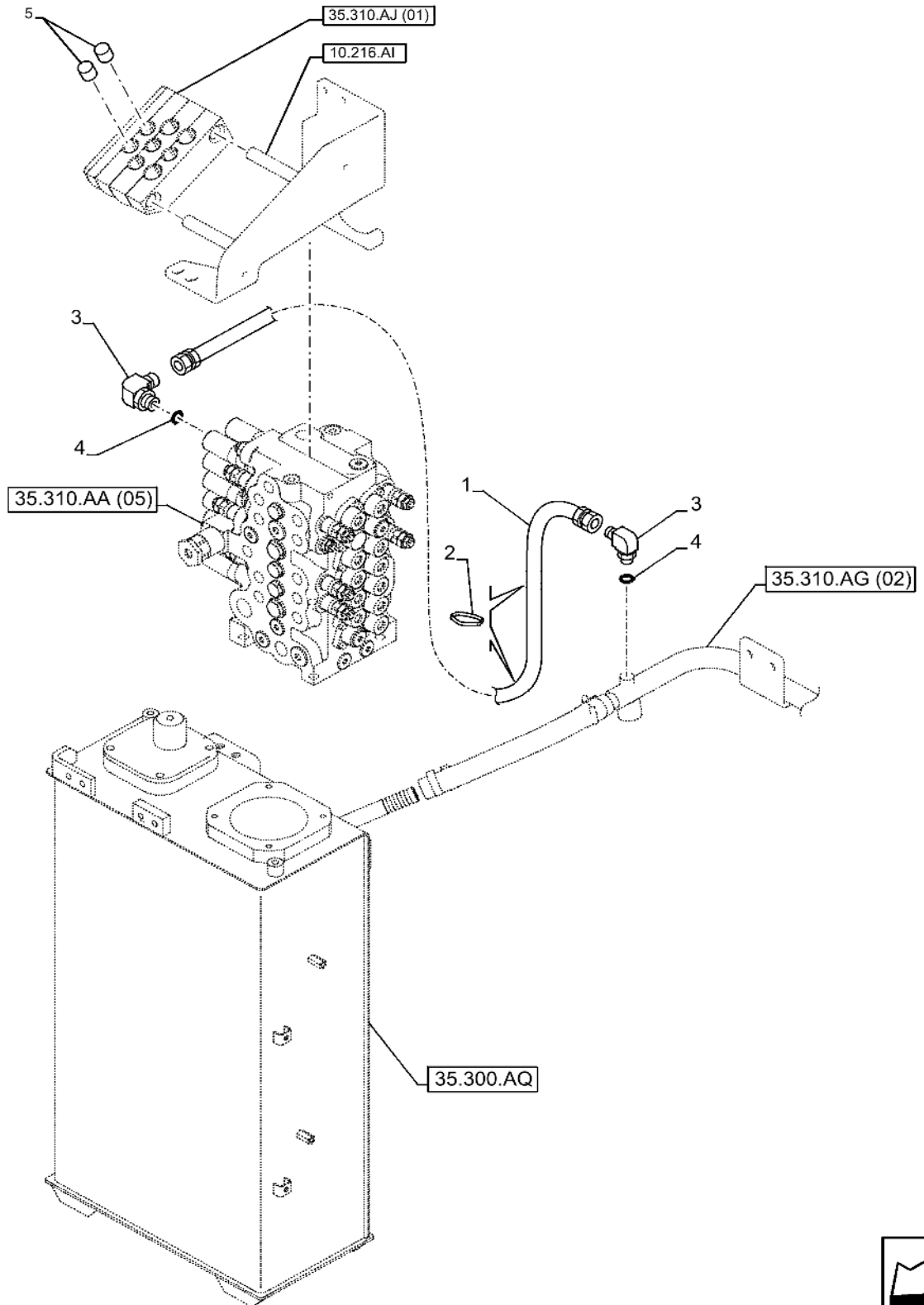
35.310.AG

15

p1

12/201
9

VAR - 461865, 461561 - OIL RETURN LINE



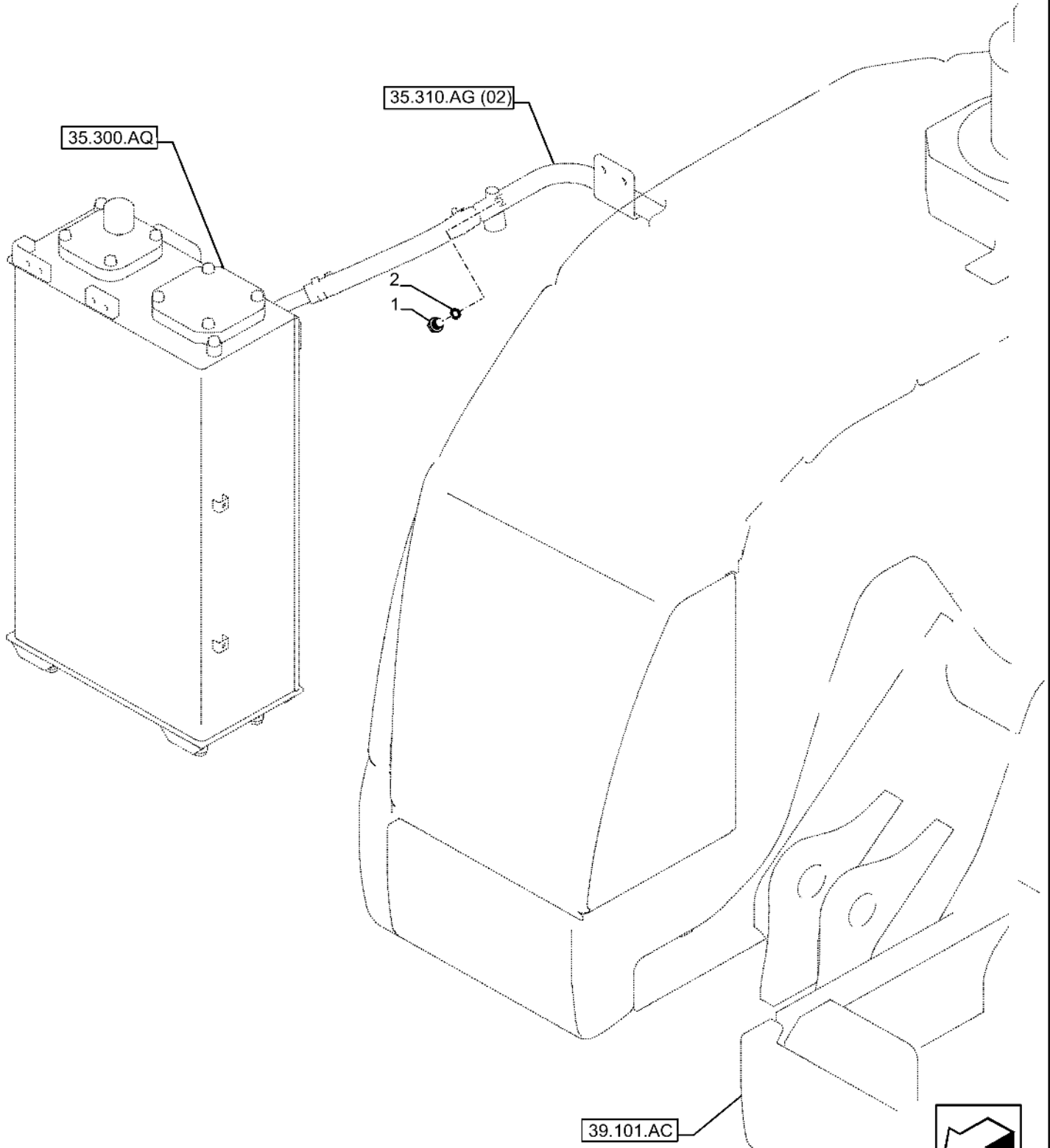
35.310.AJ

12

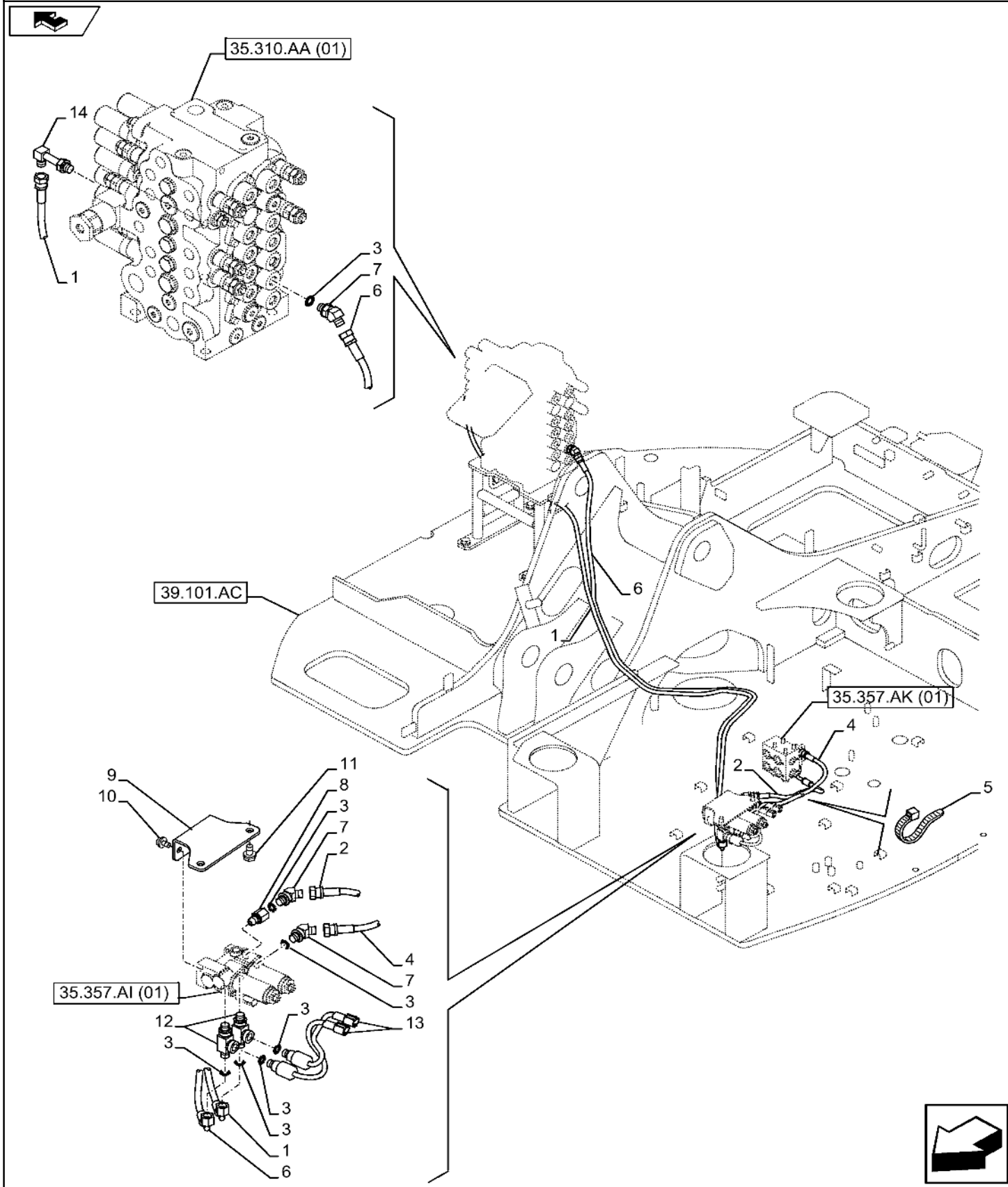
p1

12/201
9

VAR - 461559, 481064 - CONTROL VALVE HOSE



VAR - 461025, 461873 - CONTROL VALVE HOSE



35.352.AI

03

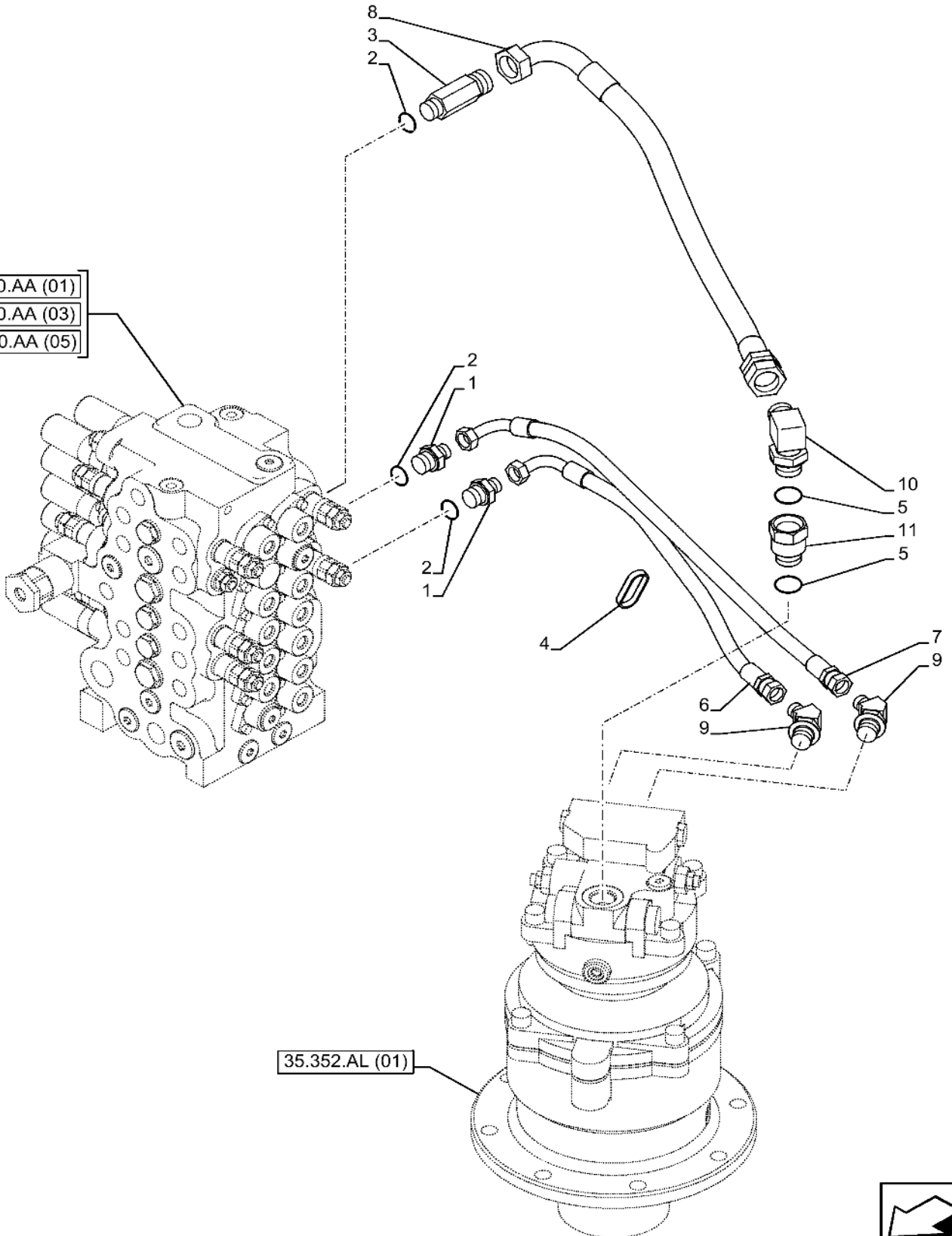
p1

12/201
9

MOTOR LINES



- 35.310.AA (01)
- 35.310.AA (03)
- 35.310.AA (05)



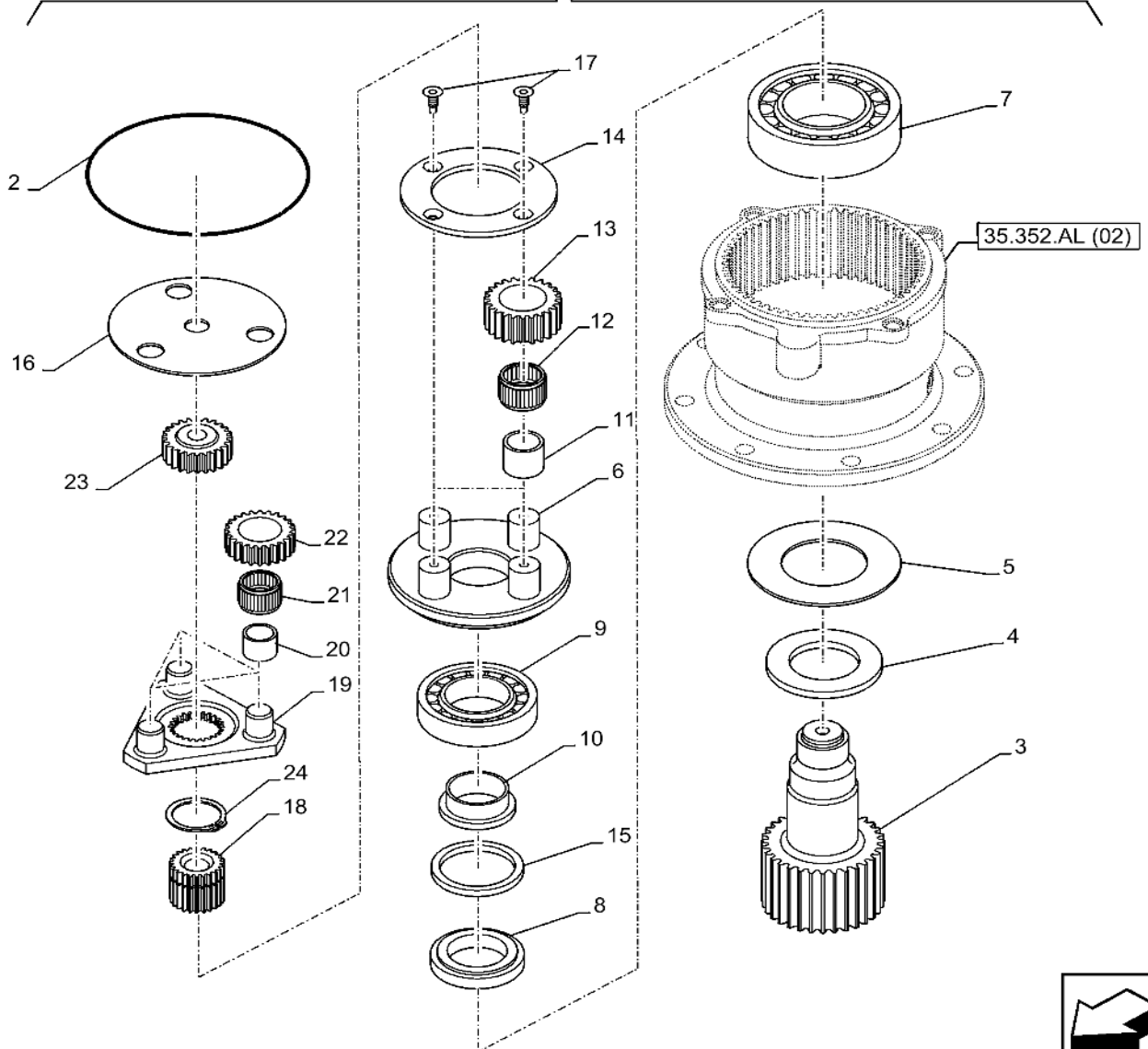
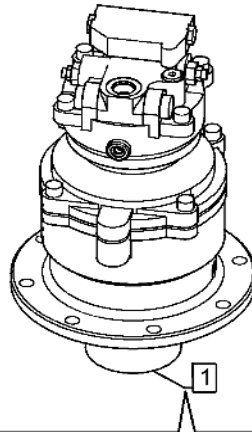
35.352.AL

05

p2

12/201
9

SWING REDUCTION MOTOR



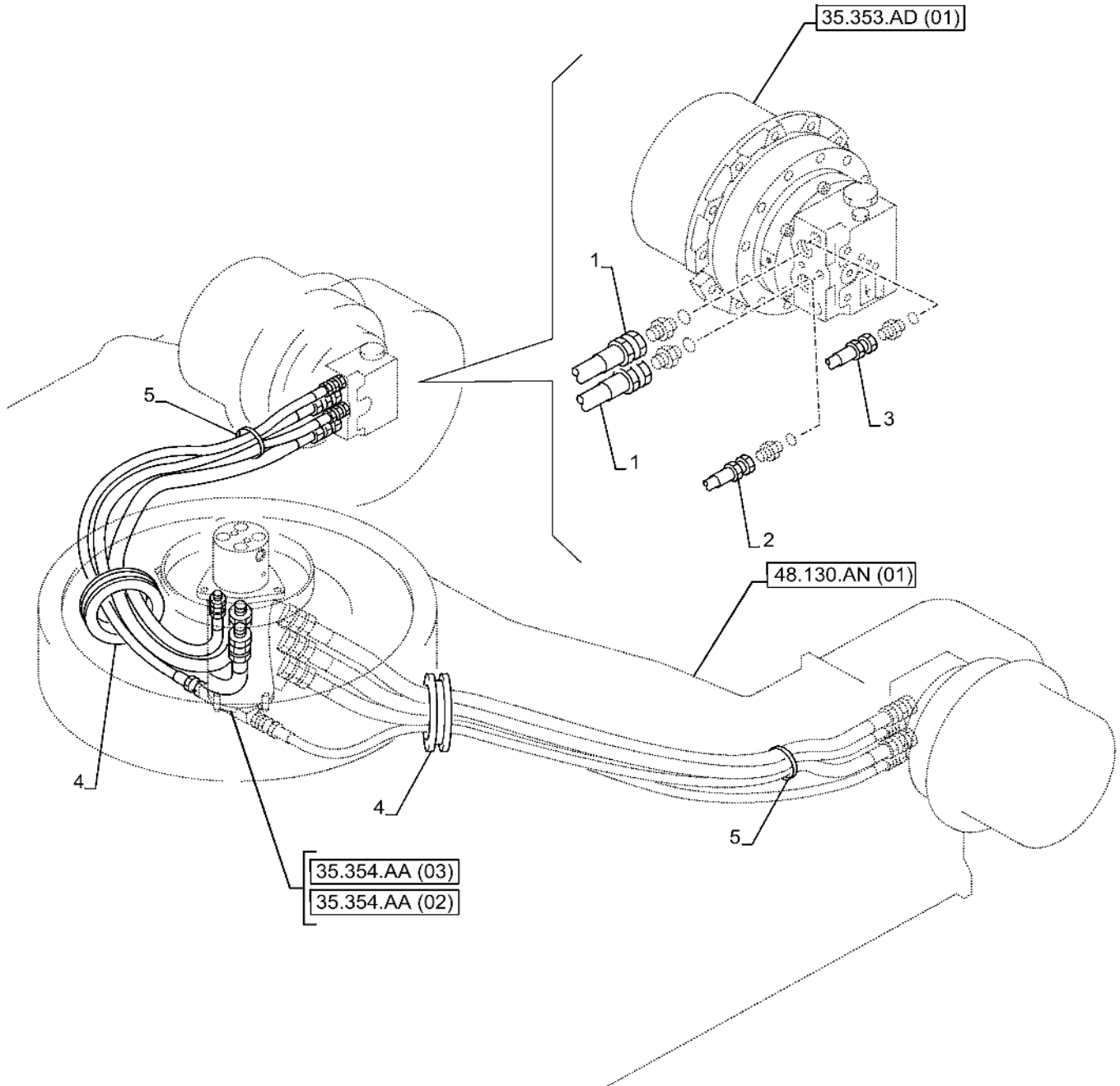
35.353.AE

01

p1

12/201
9

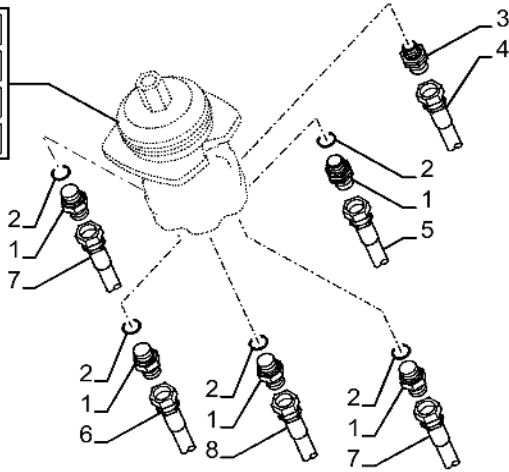
TRAVEL MOTOR HOSES



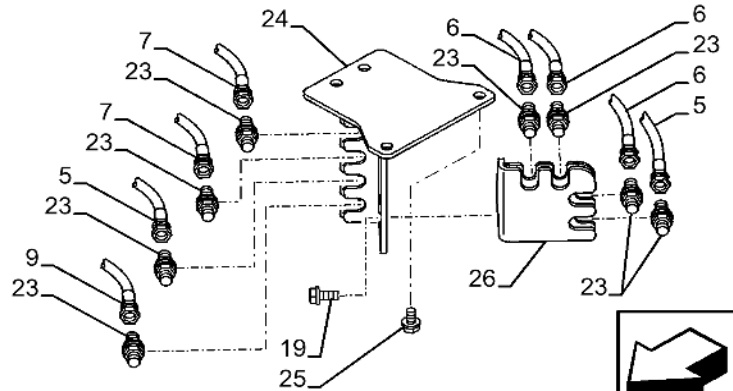
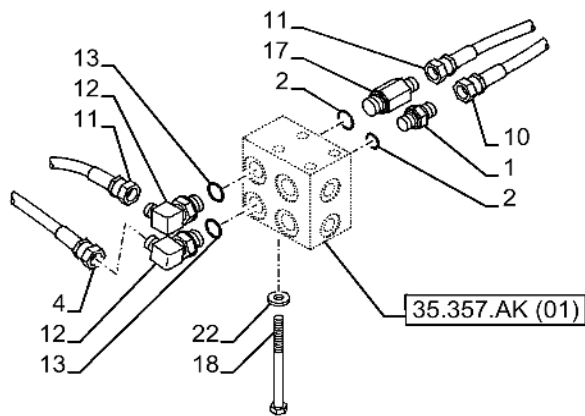
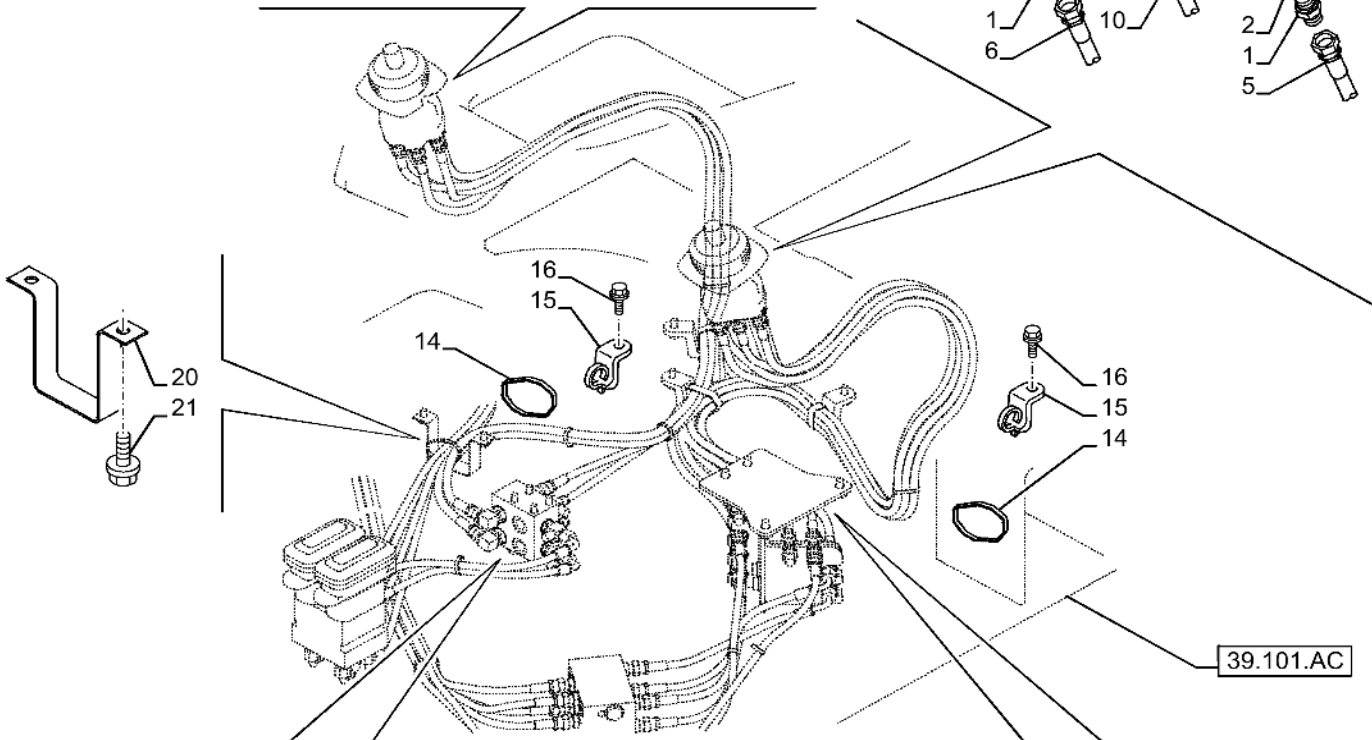
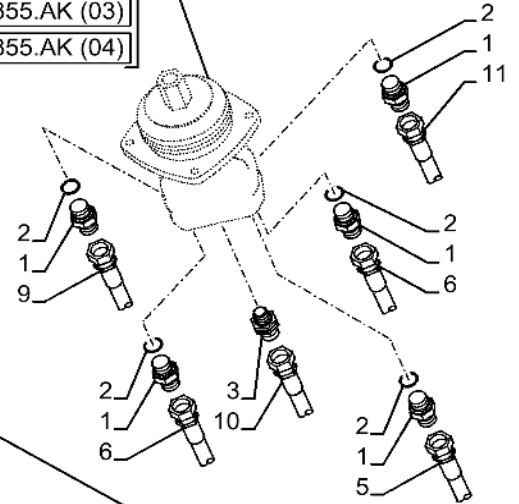
HAND CONTROL HOSES



- 35.355.AK (01)
- 35.355.AK (02)
- 35.355.AK (03)
- 35.355.AK (04)



- 35.355.AK (01)
- 35.355.AK (02)
- 35.355.AK (03)
- 35.355.AK (04)



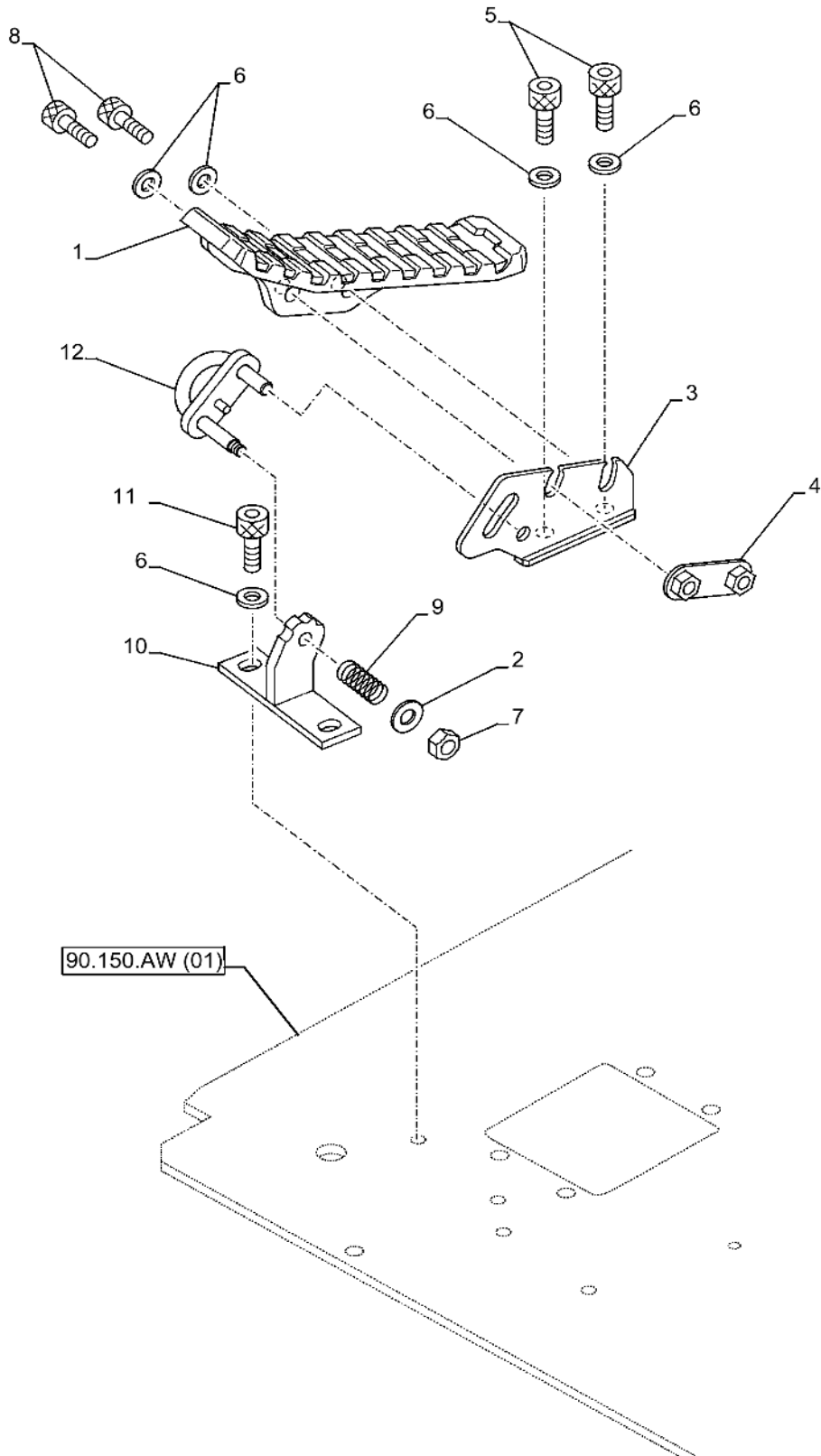
35.356.AK

01

p1

12/201
9

PEDAL CONTROL



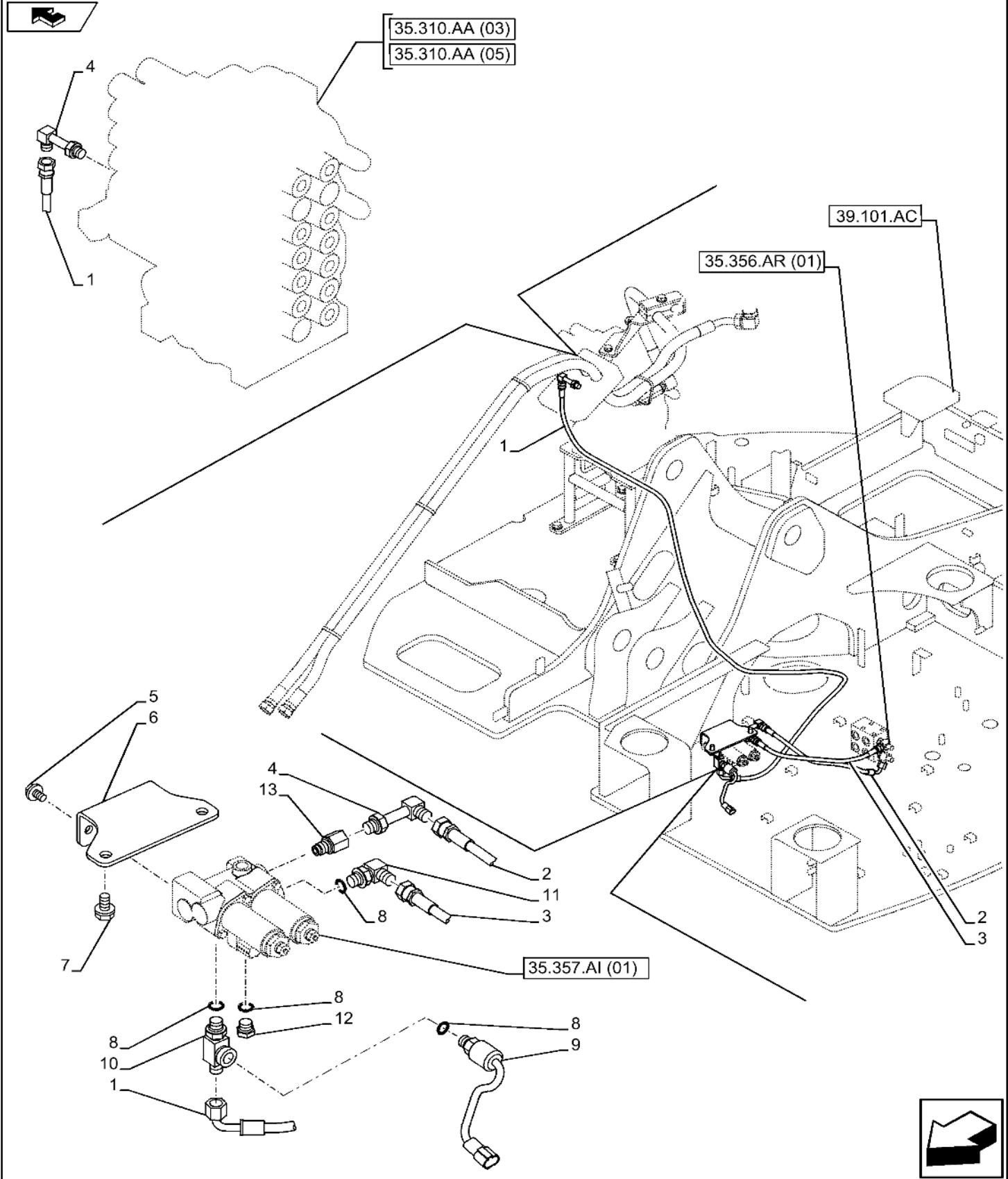
35.356.AR

03

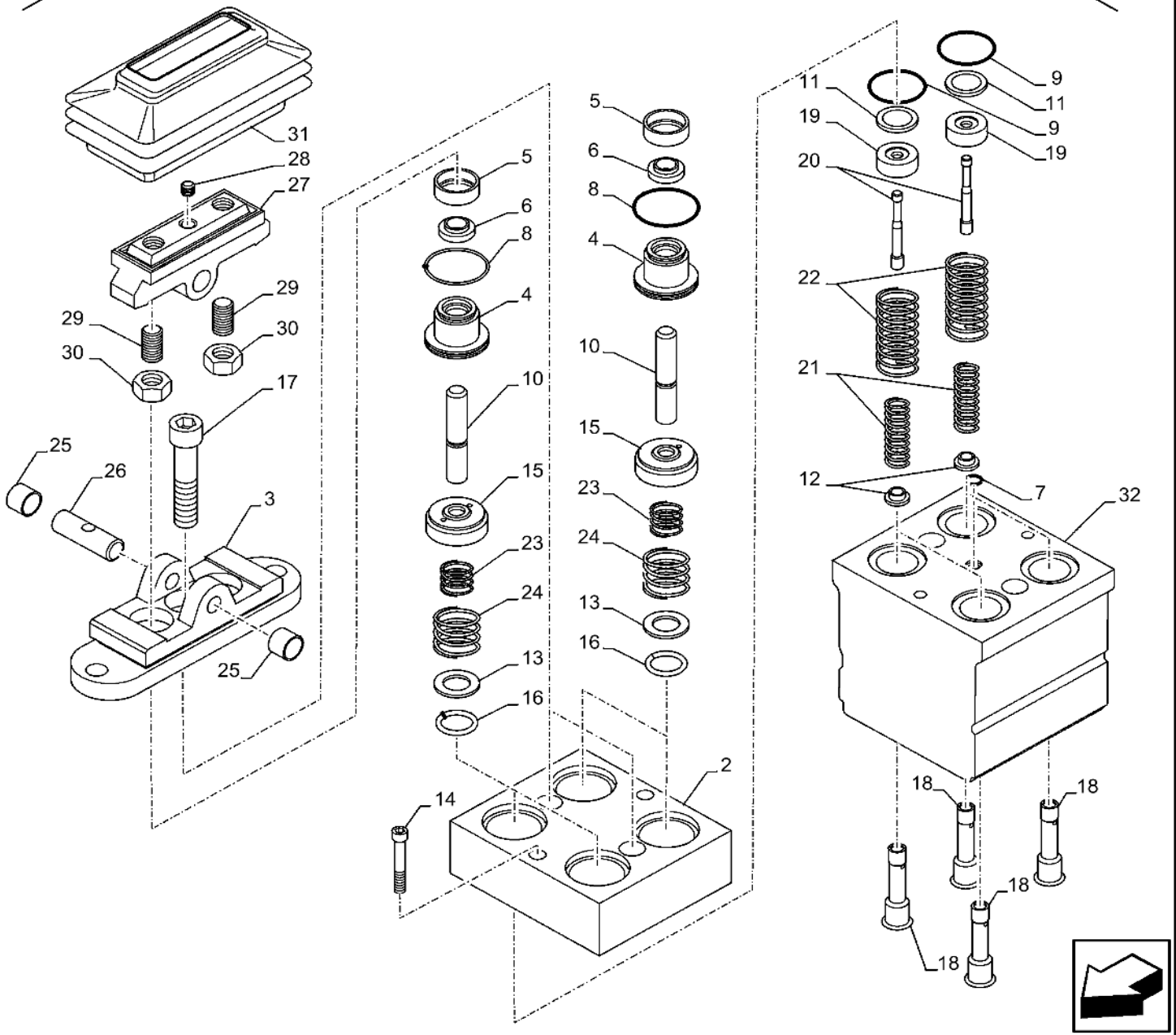
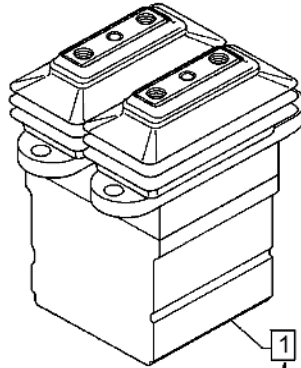
p1

12/201
9

VAR - 461865 - PEDAL CONTROL HOSE



COMMAND VALVE



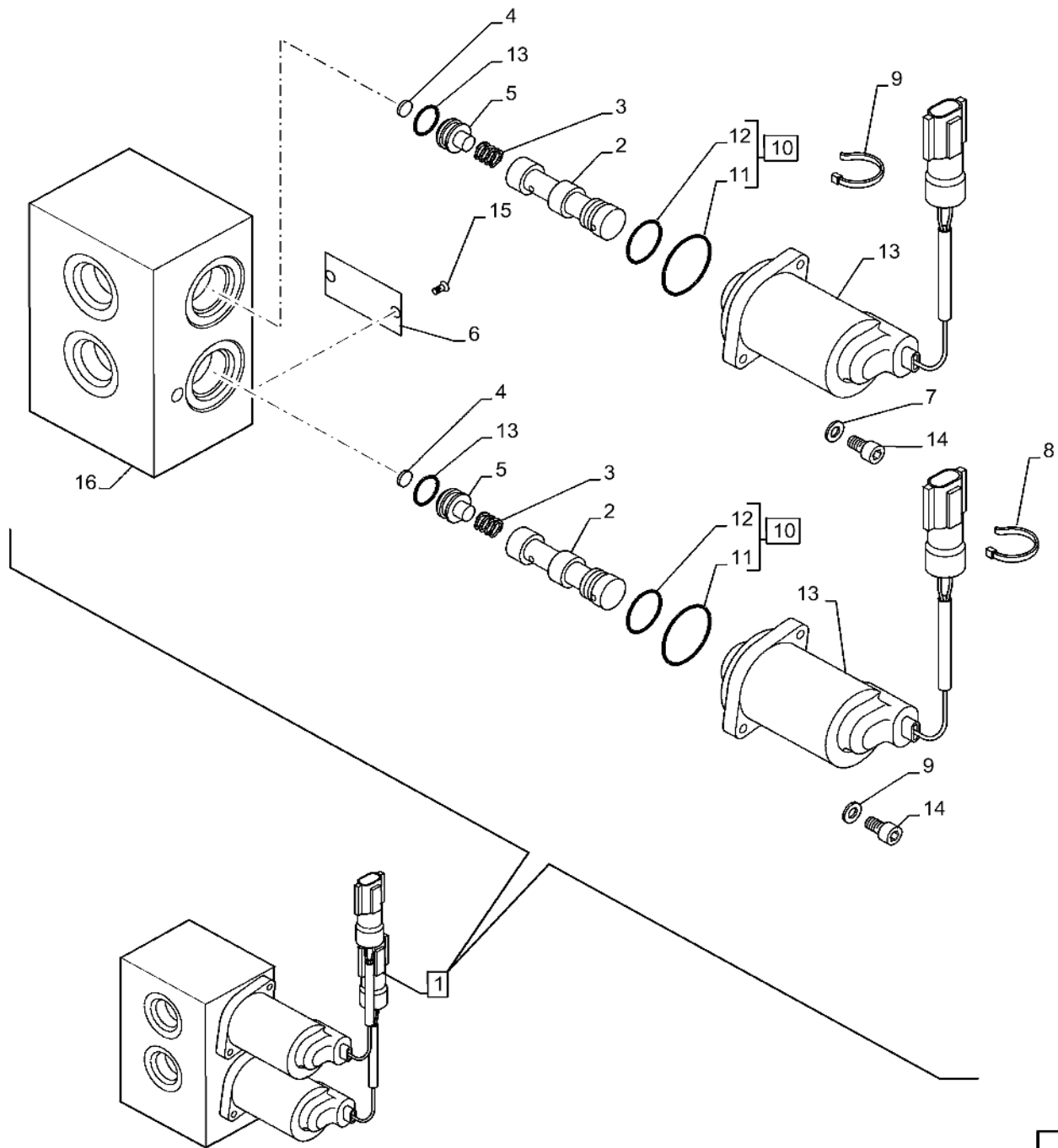
35.357.AI

02

p1

12/201
9

VAR - 461868 - UNDERCARRIAGE SOLENOID VALVE



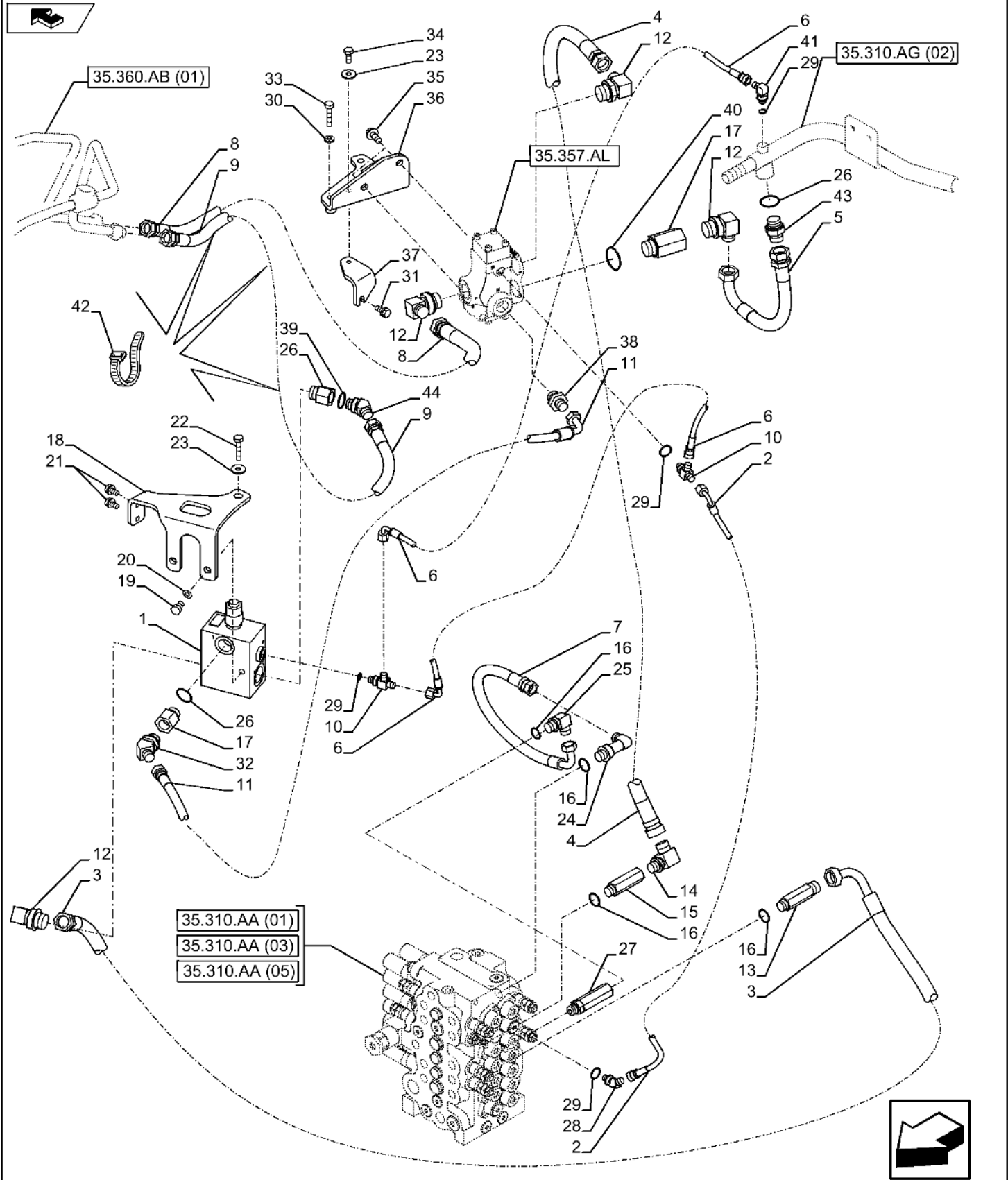
35.357.AK

04

p2

12/2019

VAR - 461868 - LINES FROM CONTROL LEVER TO PILOT VALVE BLOCK



35.360.AB

01

p1

12/201
9

VAR - 461865, 461868, 461561 - HAMMER SYSTEM LINES

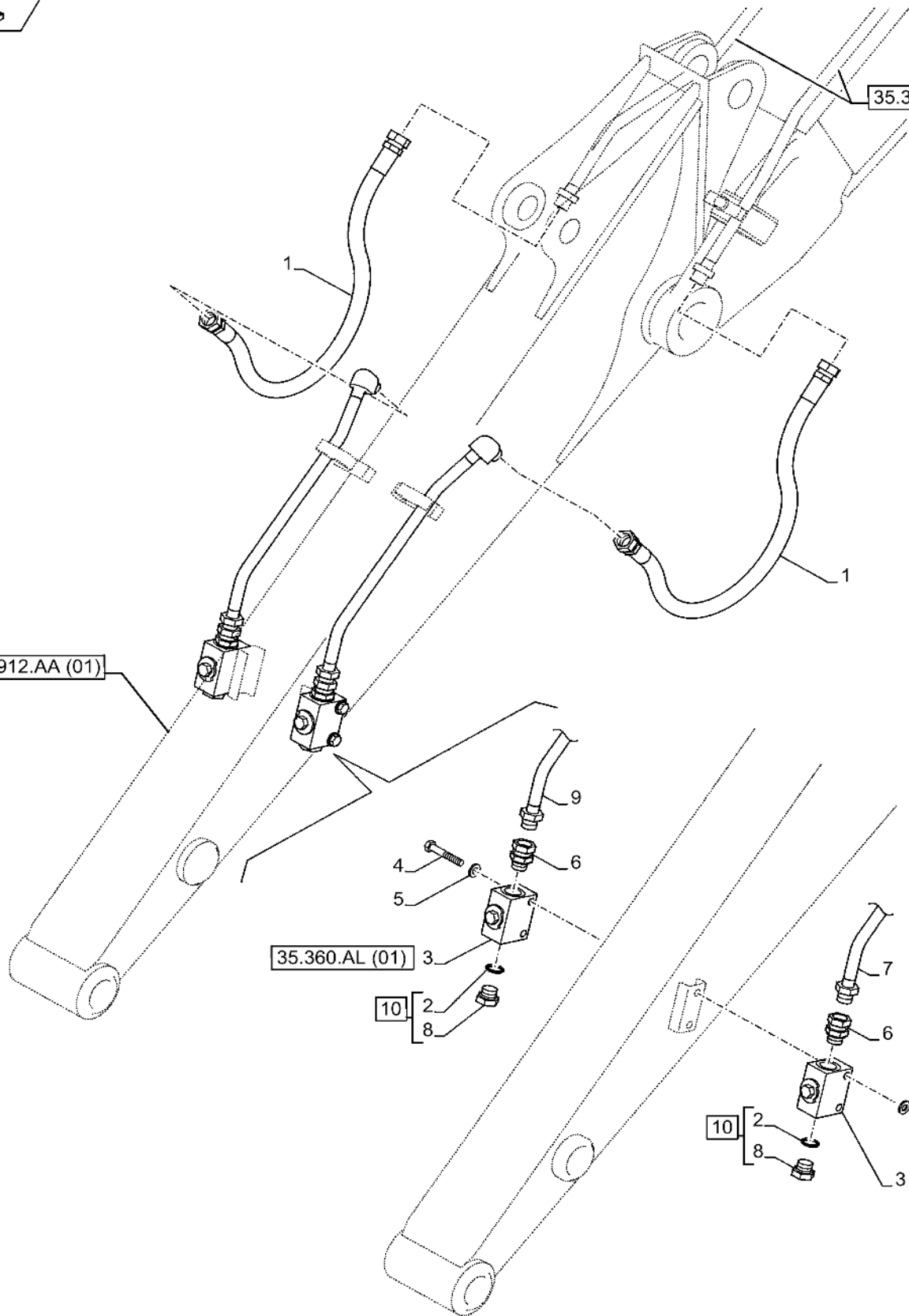


35.360.AB (03)

84.912.AA (01)

35.360.AL (01)

35.360.AL (01)



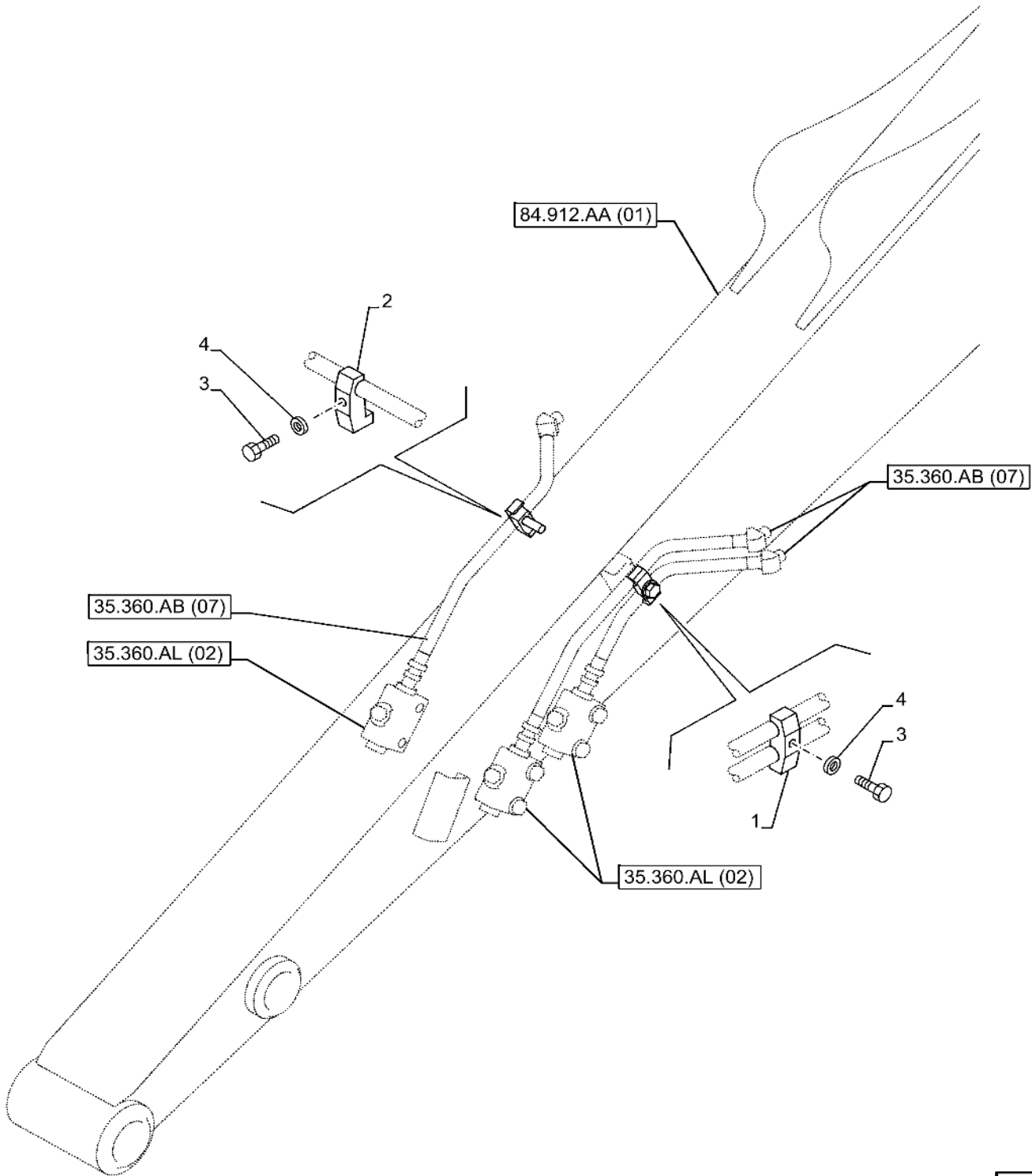
35.360.AB

08

p1

12/201
9

VAR - 461863 - HAMMER SYSTEM LINE



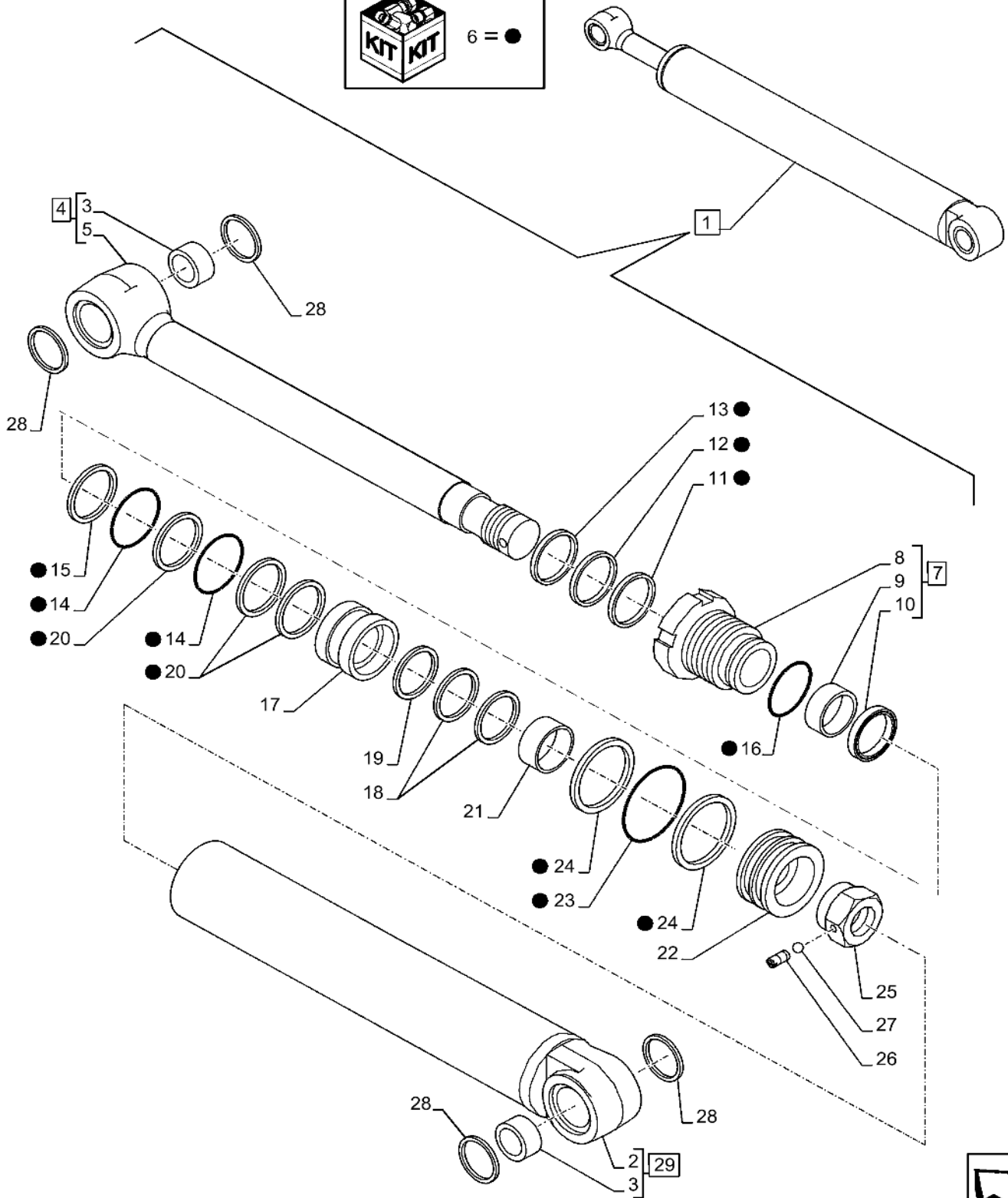
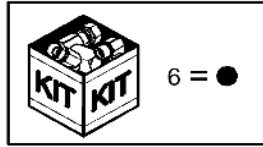
35.736.AA

03

p1

12/201
9

VAR - 481858, 461025 - BOOM CYLINDER



35.736.AC

05

p1

12/2019

VAR - 461025, 461873, 461866 - BOOM CYLINDER LINE

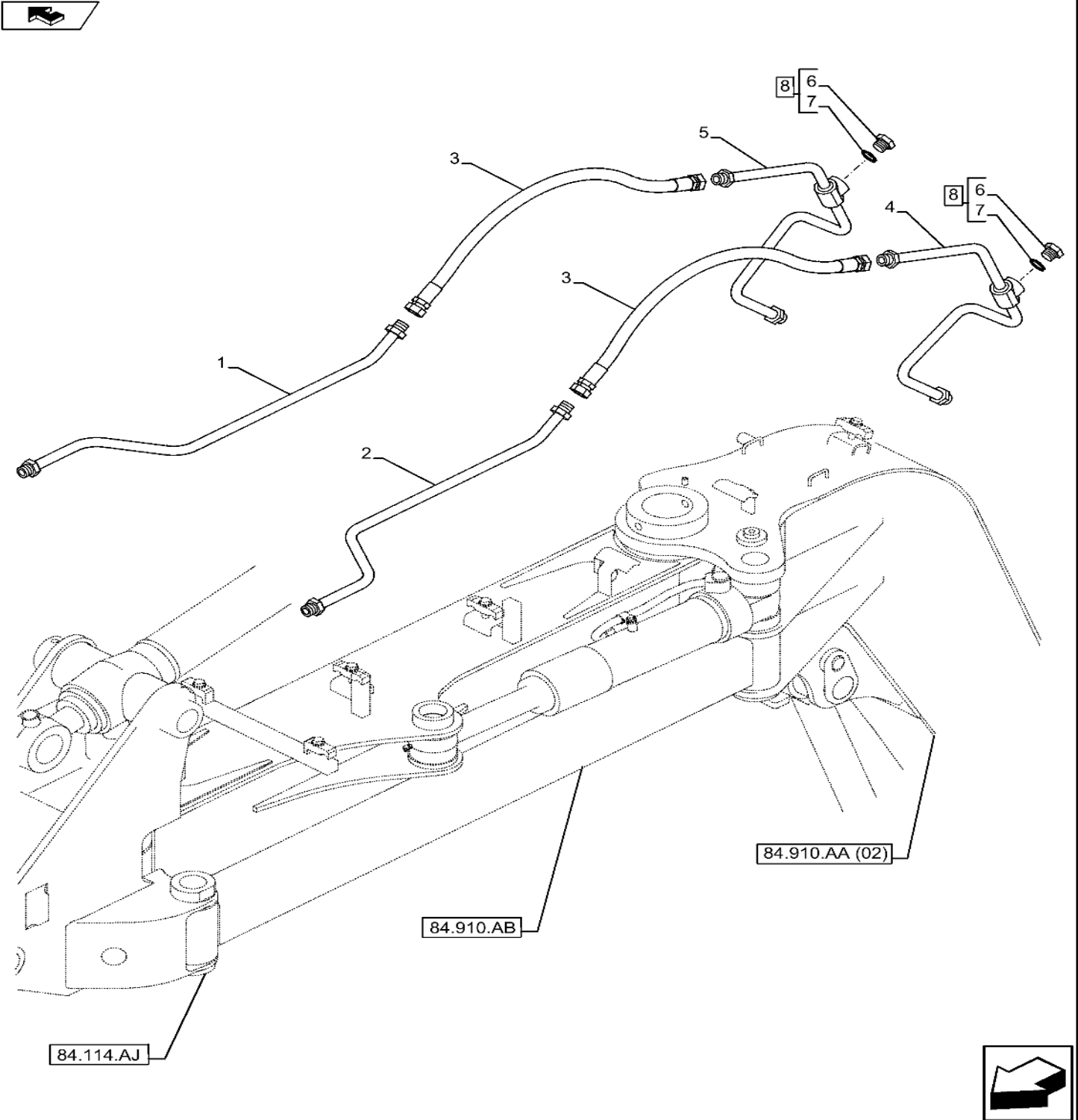


Figure is valid with Var. 461025

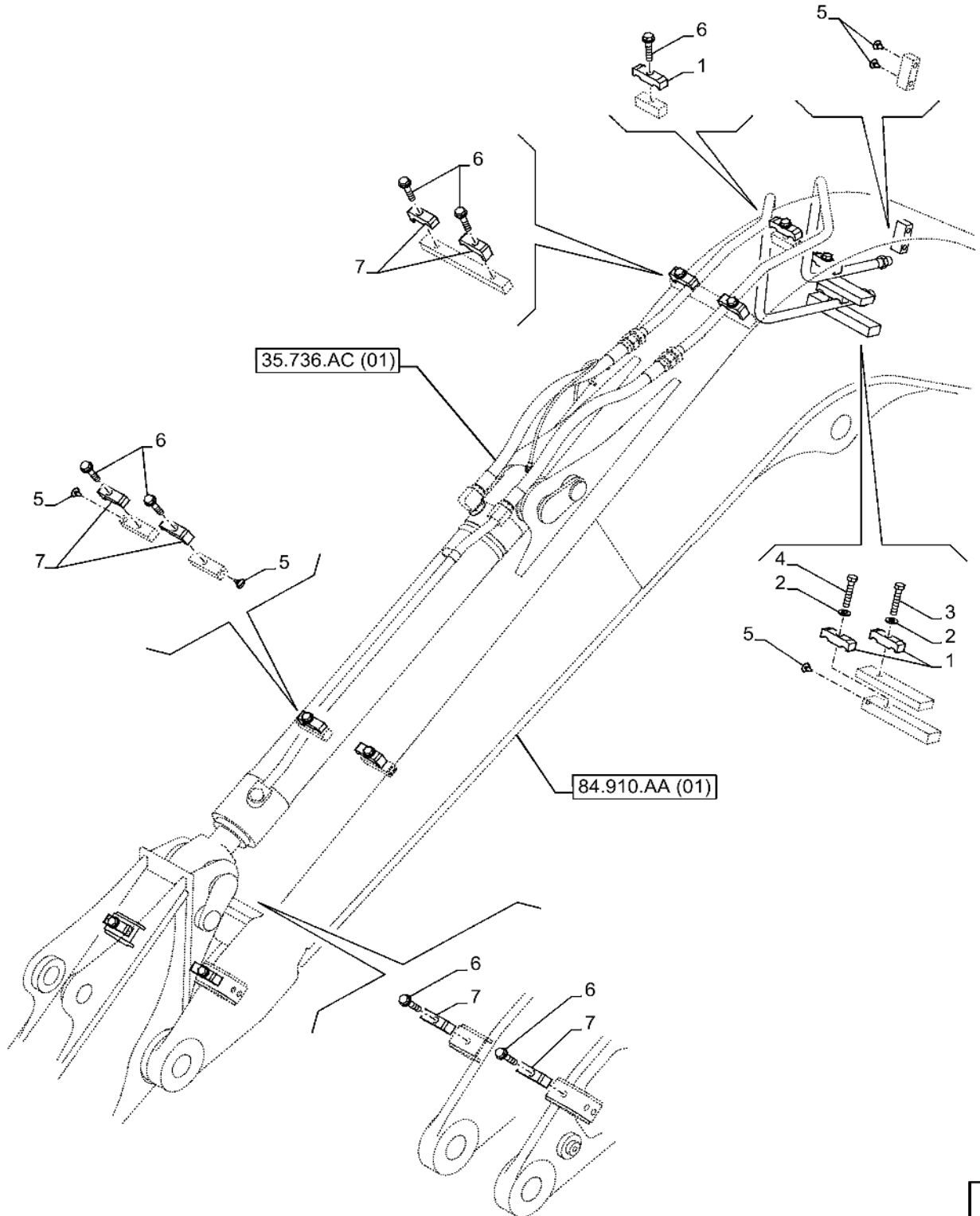
35.736.AC

12

p1

12/201
9

VAR - 481858 - BOOM CYLINDER LINE



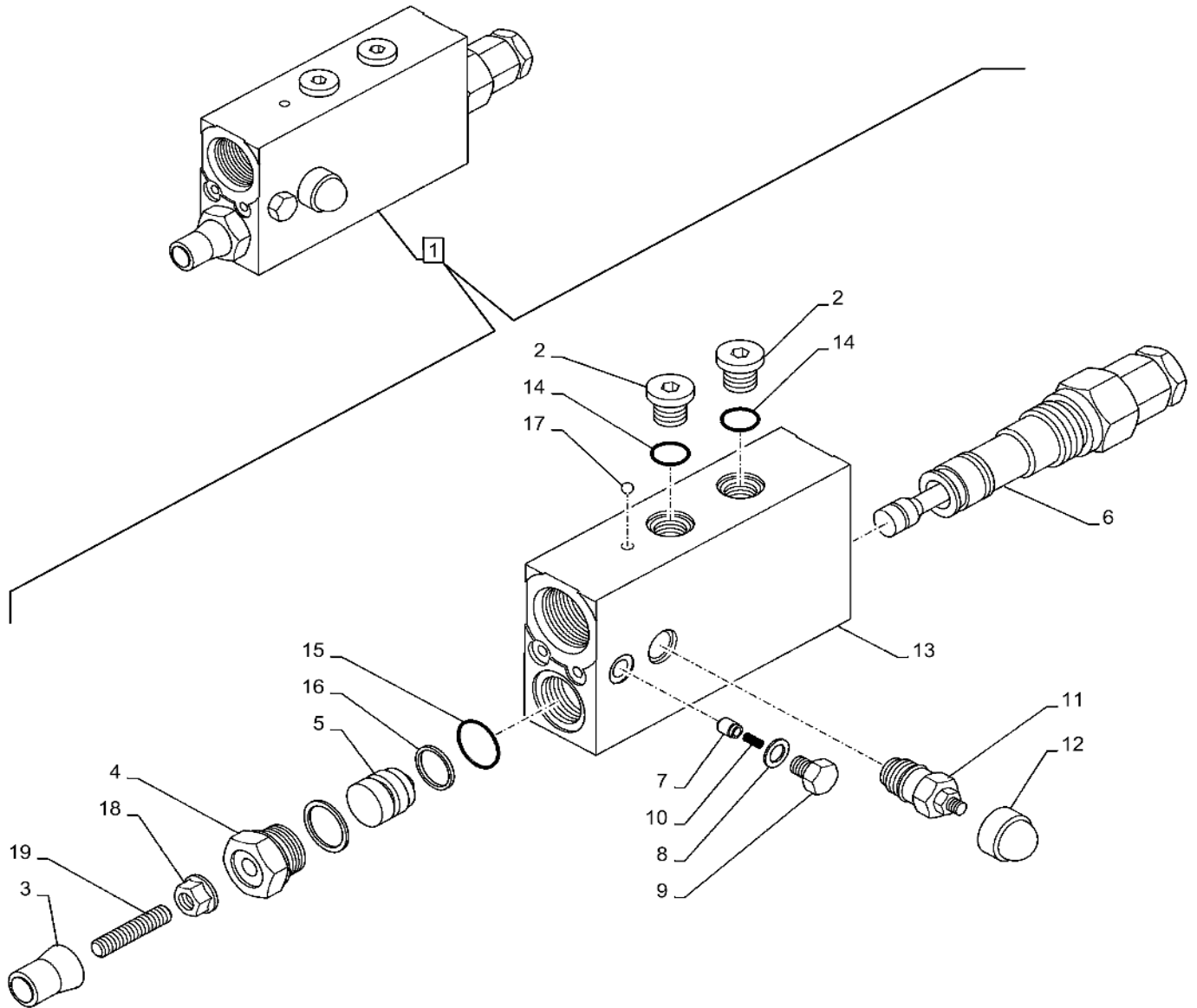
35.736.AG

03

p1

12/201
9

VAR - 481064 - BOOM LIFTING CYLINDER HOLDING VALVE



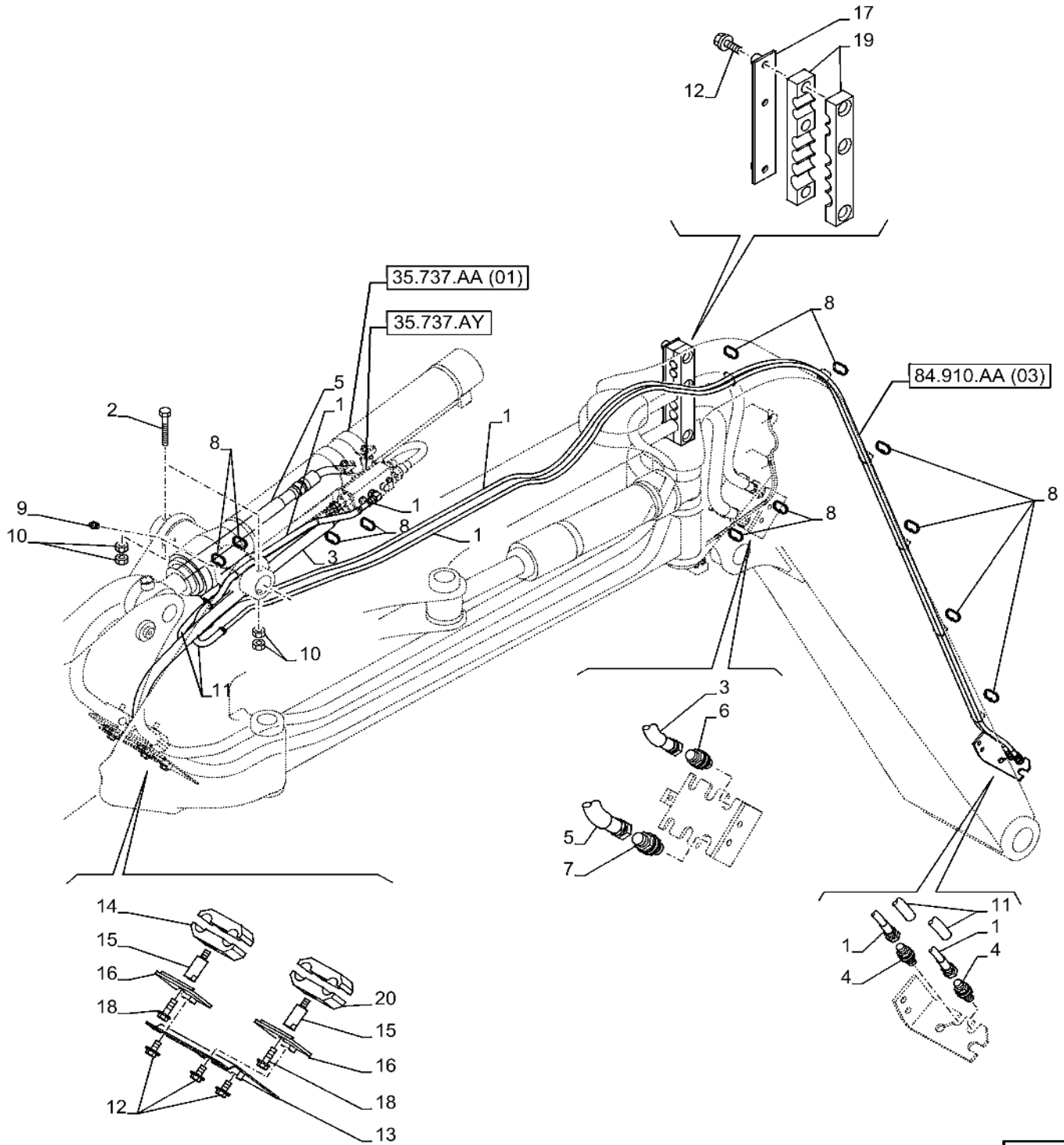
35.737.AE

01

p1

12/2019

VAR - 461559, 461025, 481064 - DIPPER CYLINDER LINE



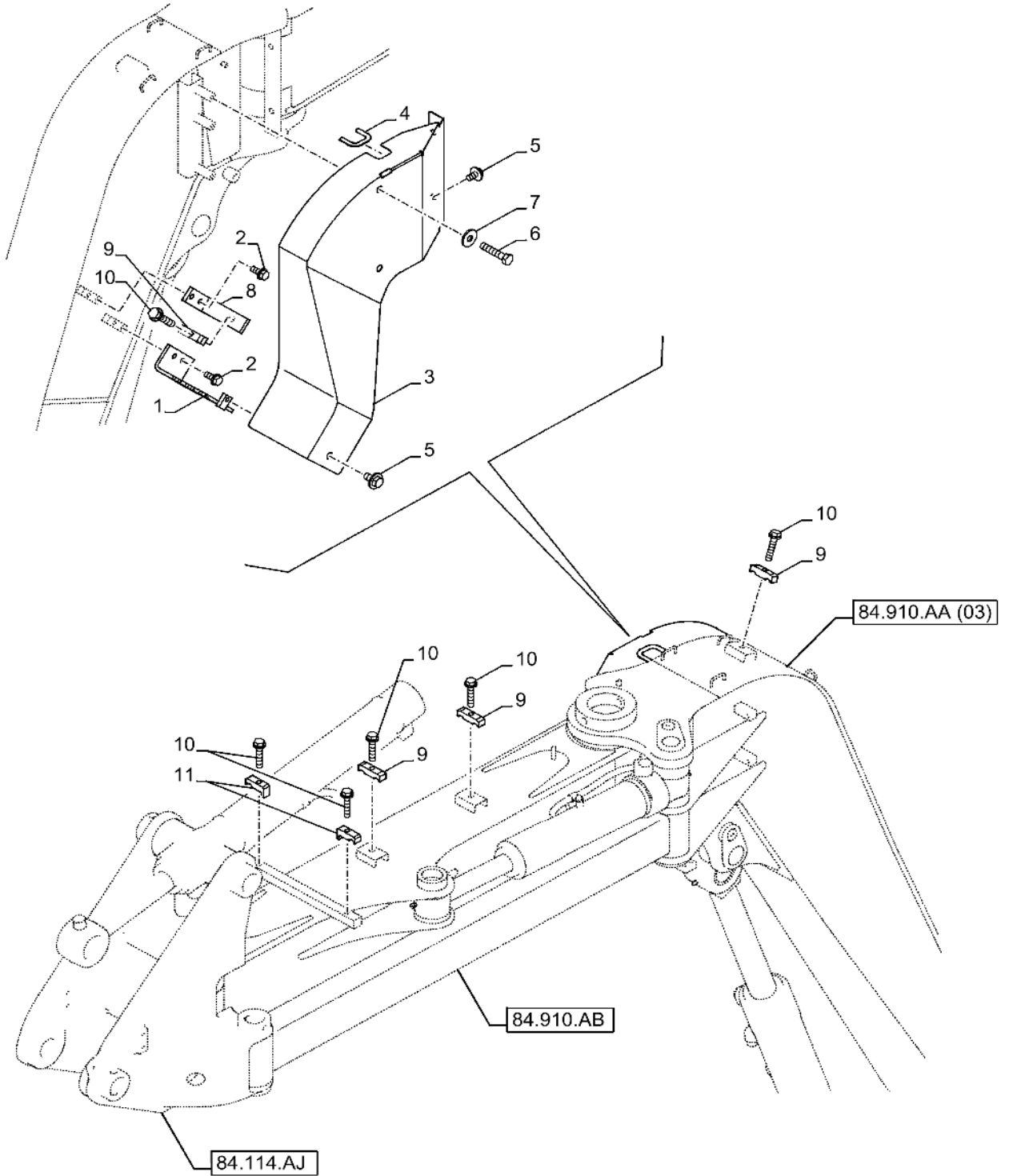
35.737.AE

08

p1

12/201
9

VAR - 461025, 461866 - DIPPER CYLINDER LINE



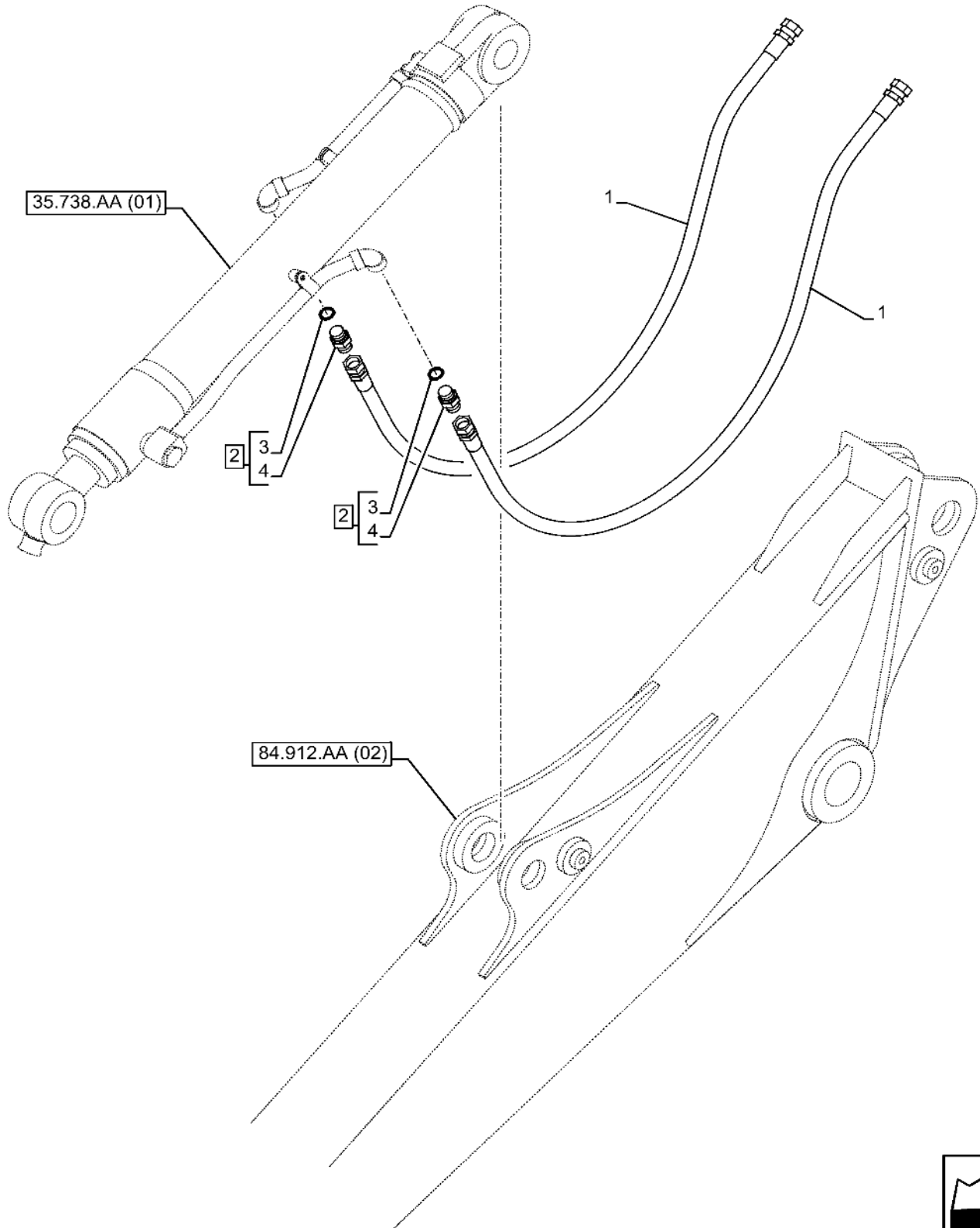
35.738.AE

03

p1

12/201
9

VAR - 481265 - HYDRAULIC LINE



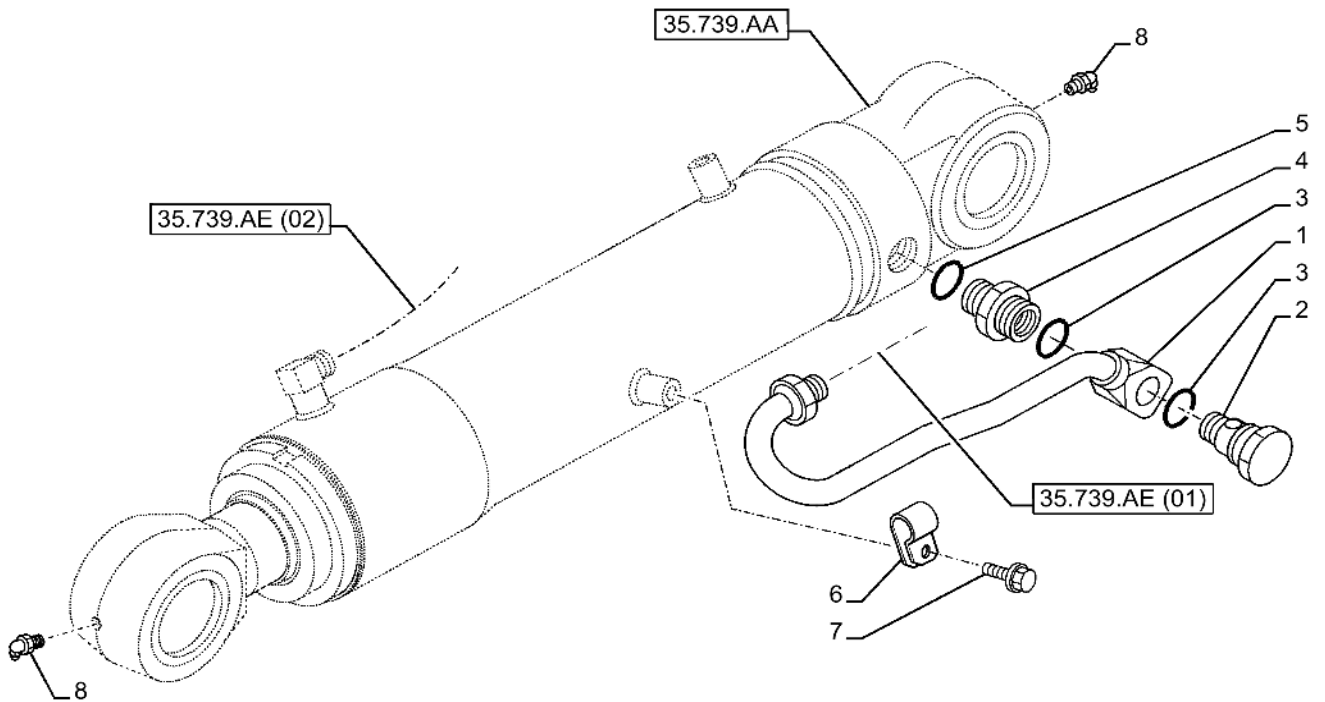
35.739.AE

02

p1

12/201
9

VAR - 461025 - SWING CYLINDER LINE

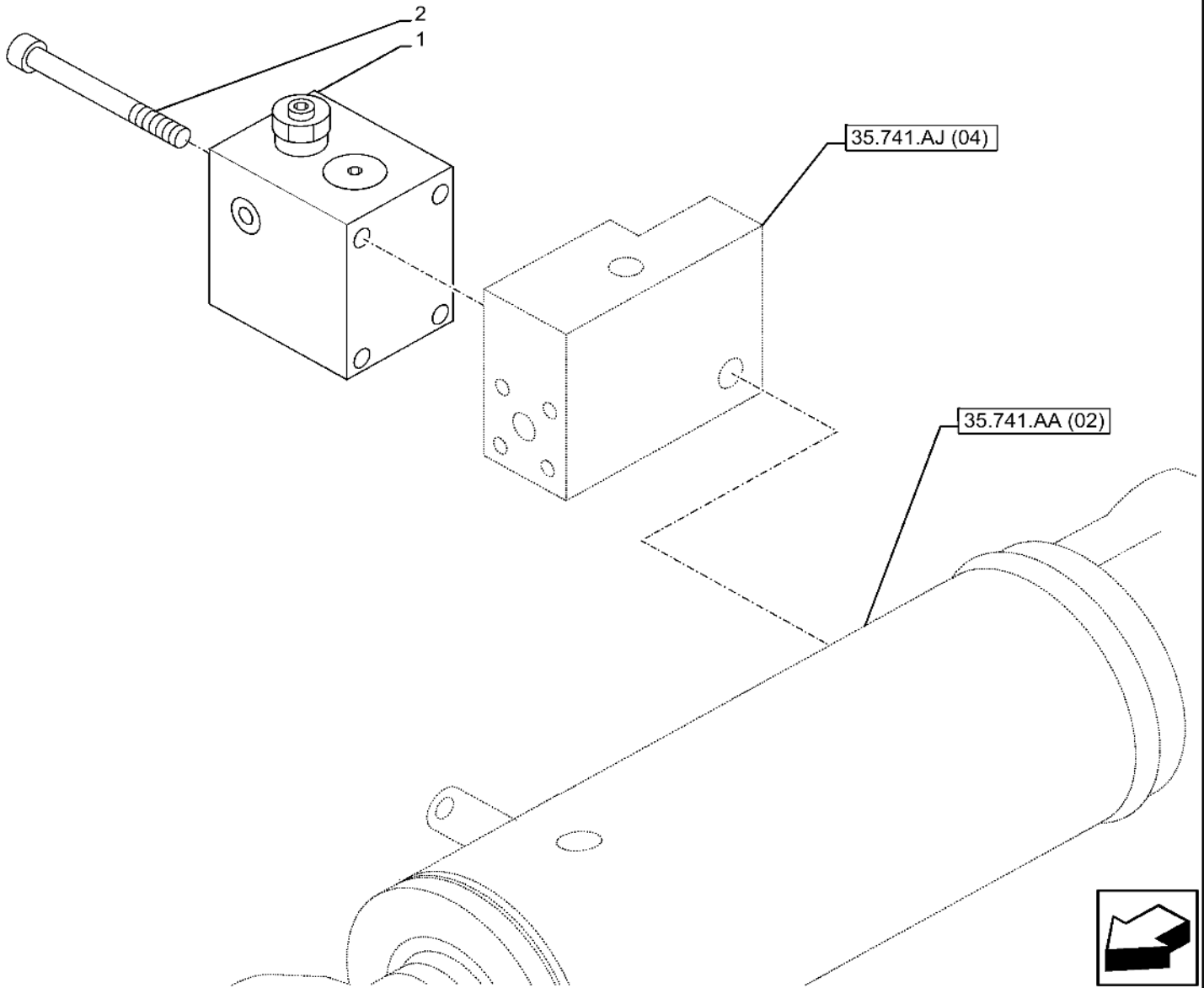


35.741.AL

p1

12/201
9

VAR - 481064 - STABILIZER BLADE VALVE

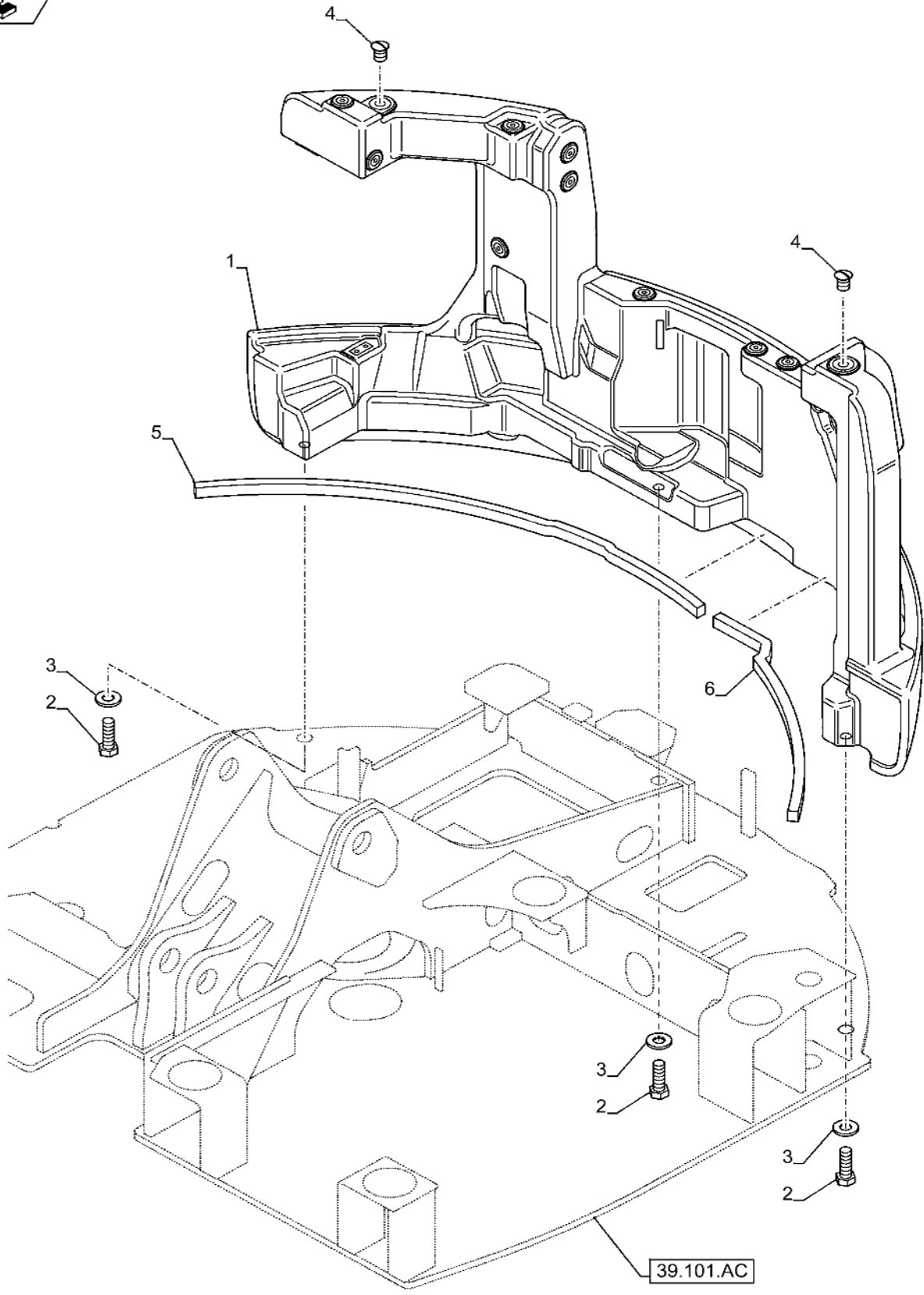


39.140.AM

p1

12/201
9

COUNTERWEIGHT

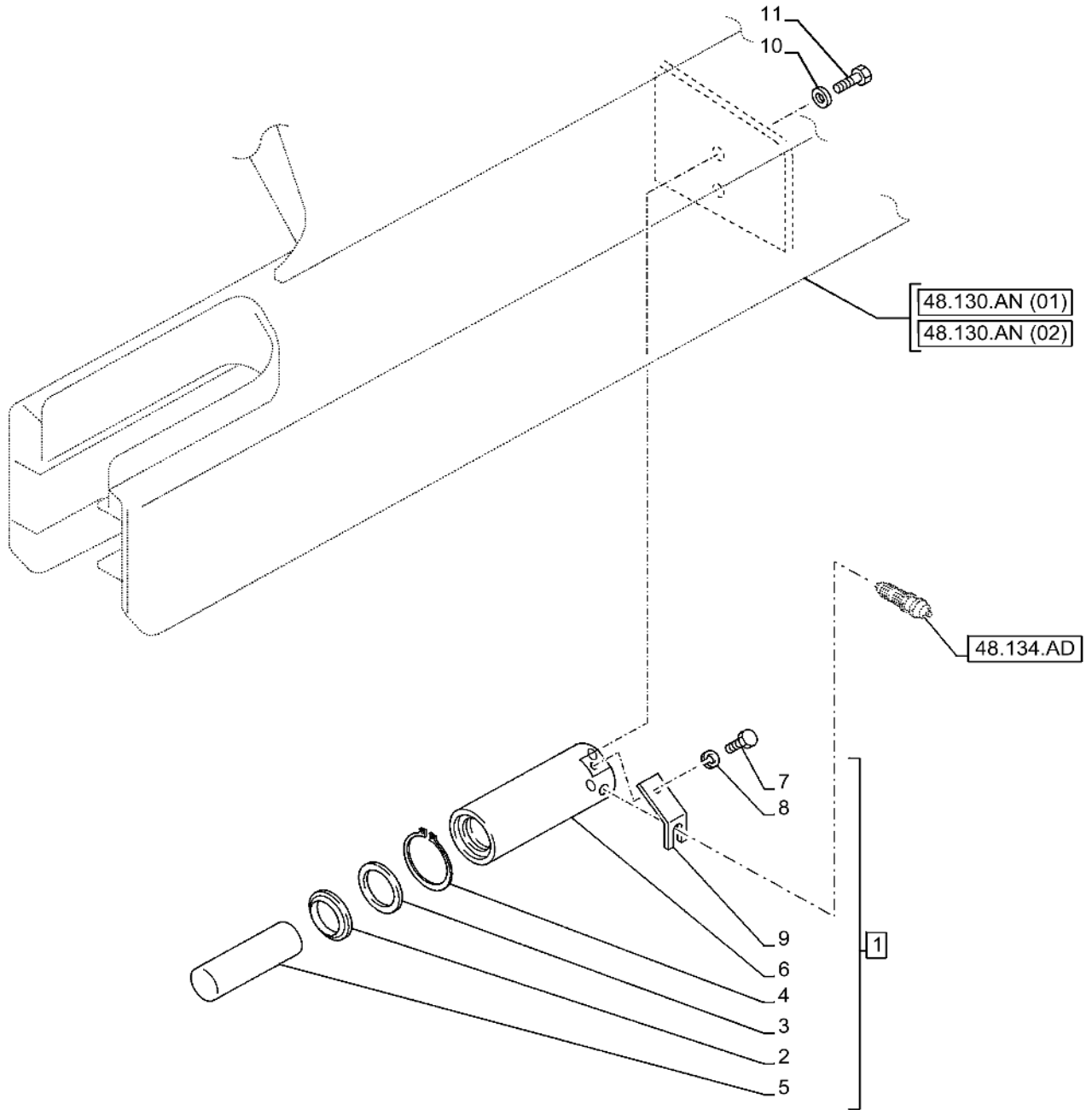


48.120.AB

p1

12/201
9

CHAIN TENSIONER



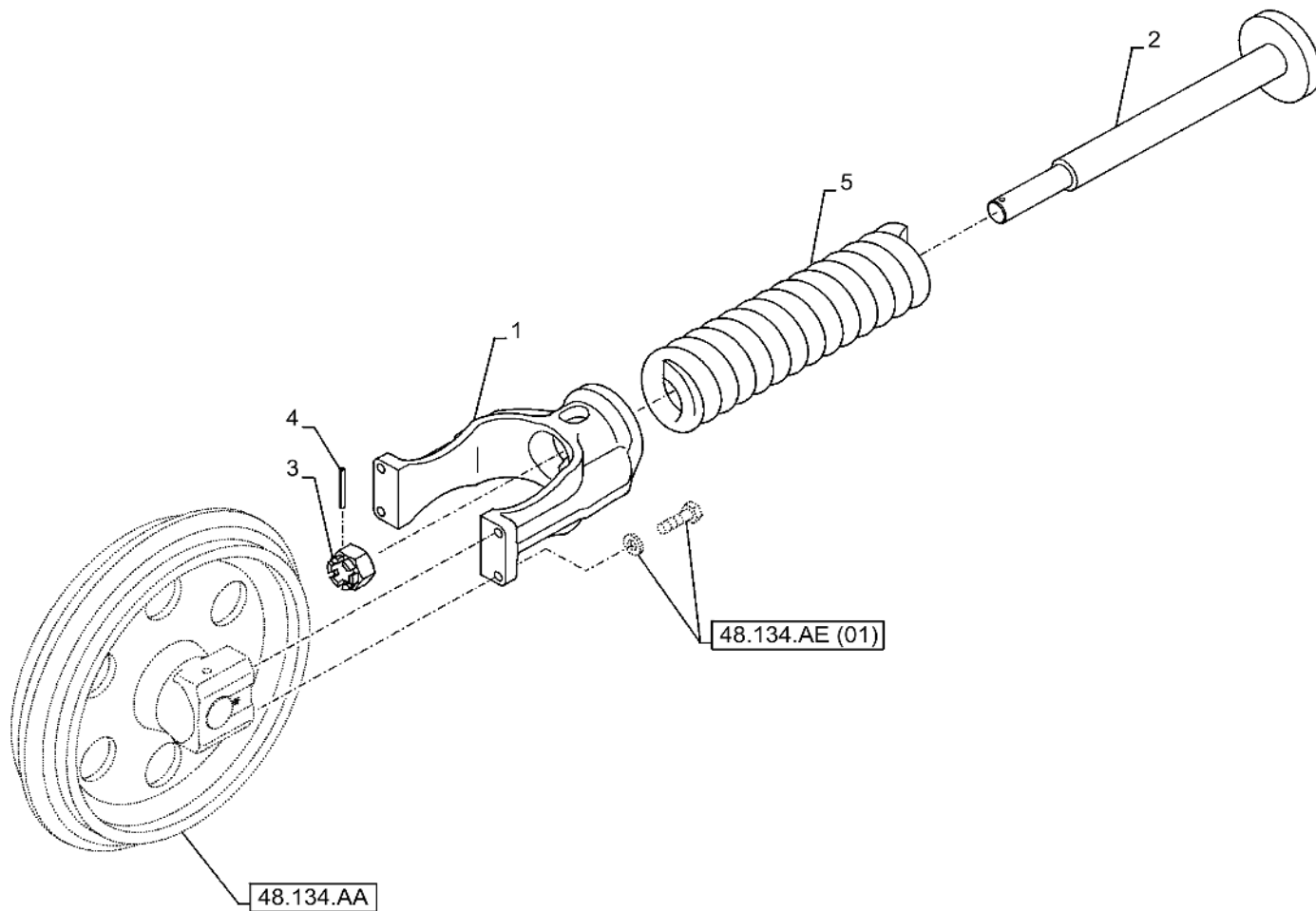
48.134.AE

02

p1

12/201
9

TRACK TENSIONER



50.000.00

01

p1

12/201
9

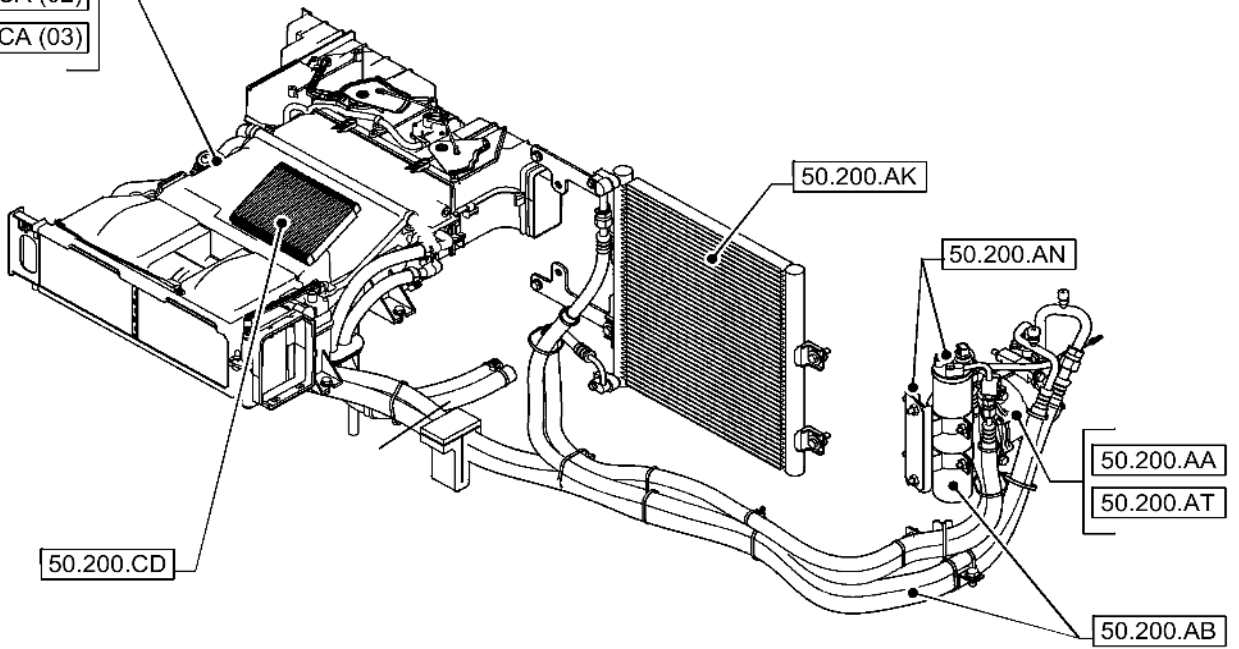
SECTION INDEX - CAB CLIMATE CONTROL



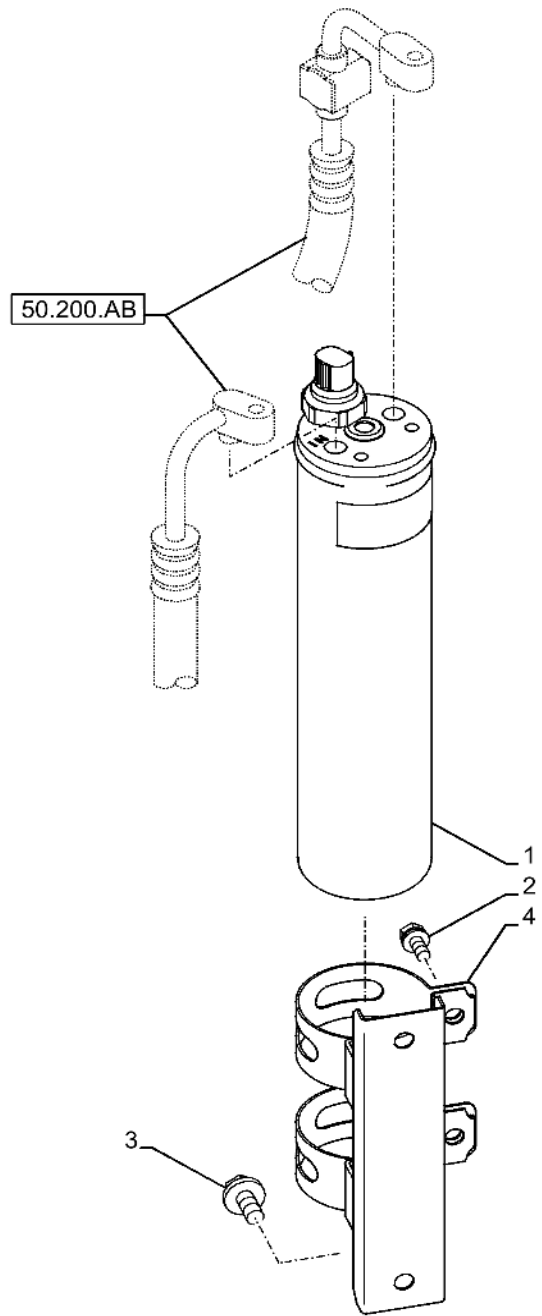
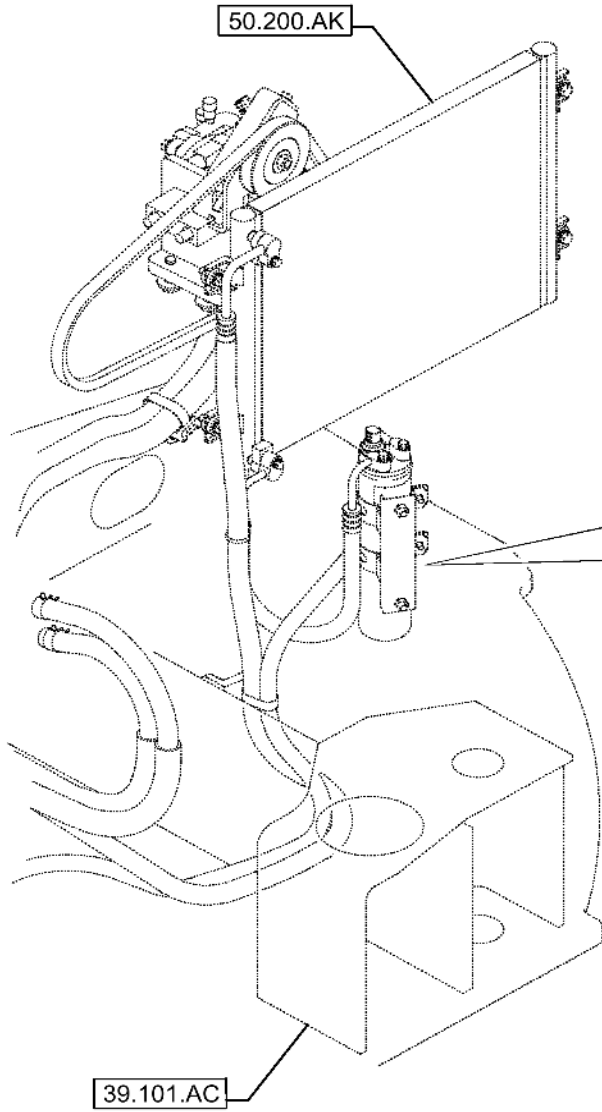
50.200.CA (01)

50.200.CA (02)

50.200.CA (03)



RECEIVER-DRYER



CLICK HERE TO **DOWNLOAD** THE COMPLETE MANUAL

- Thank you very much for reading the preview of the manual.
- You can download the complete manual from: www.heydownloads.com by clicking the link below



- Please note: If there is no response to **CLICKING** the link, please download this PDF first and then click on it.

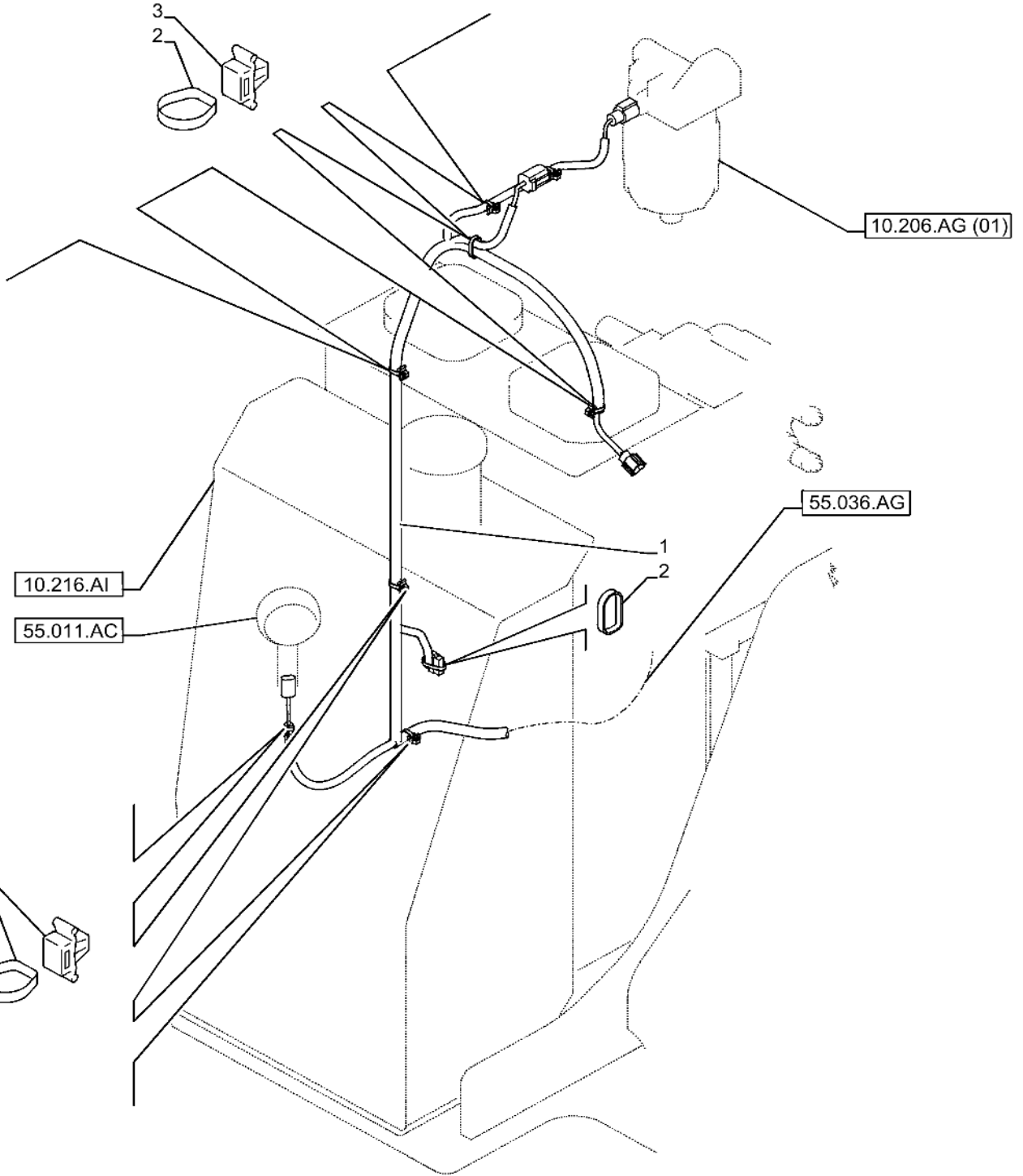
CLICK HERE TO **DOWNLOAD** THE COMPLETE MANUAL

SECTION INDEX

ELECTRICAL SYSTEMS

55.991.AE 02 DIA, TELEMATICS (47640727, 47512247)

FUEL TANK WIRE HARNESS



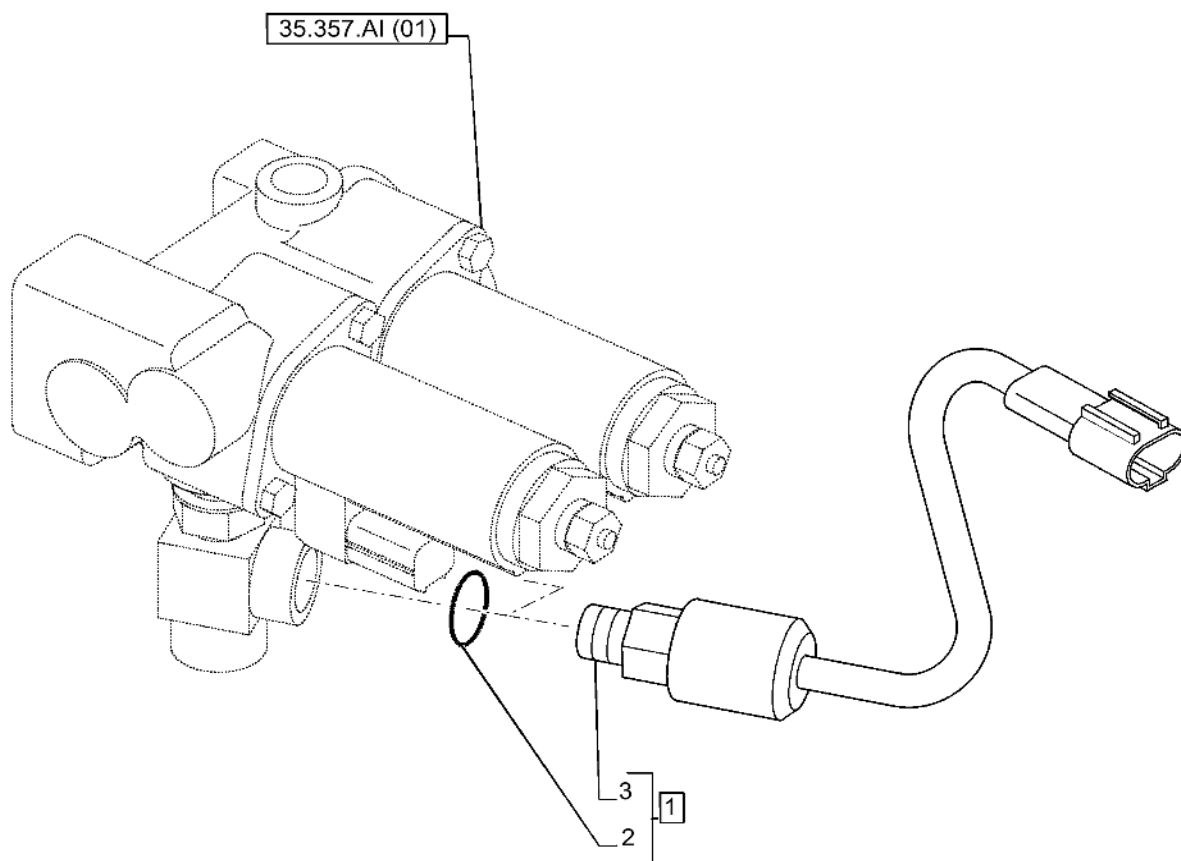
55.036.AB

02

p1

12/201
9

VAR - 461871 - HYDRAULIC FLUID PRESSURE SWITCH



55.100.DO

02

p1

12/201
9

FUSE RELAY BOX

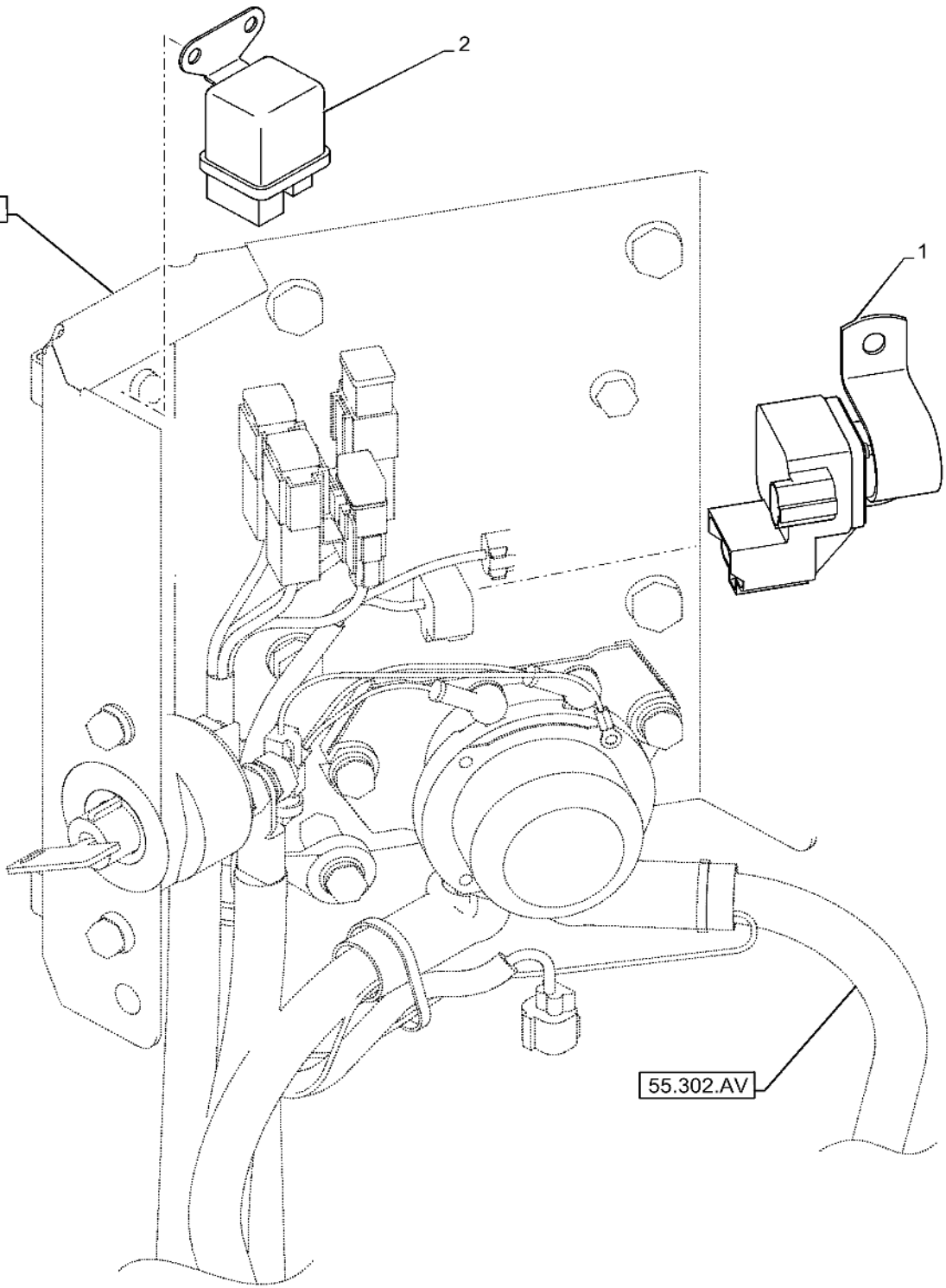


55.302.AI

2

1

55.302.AV



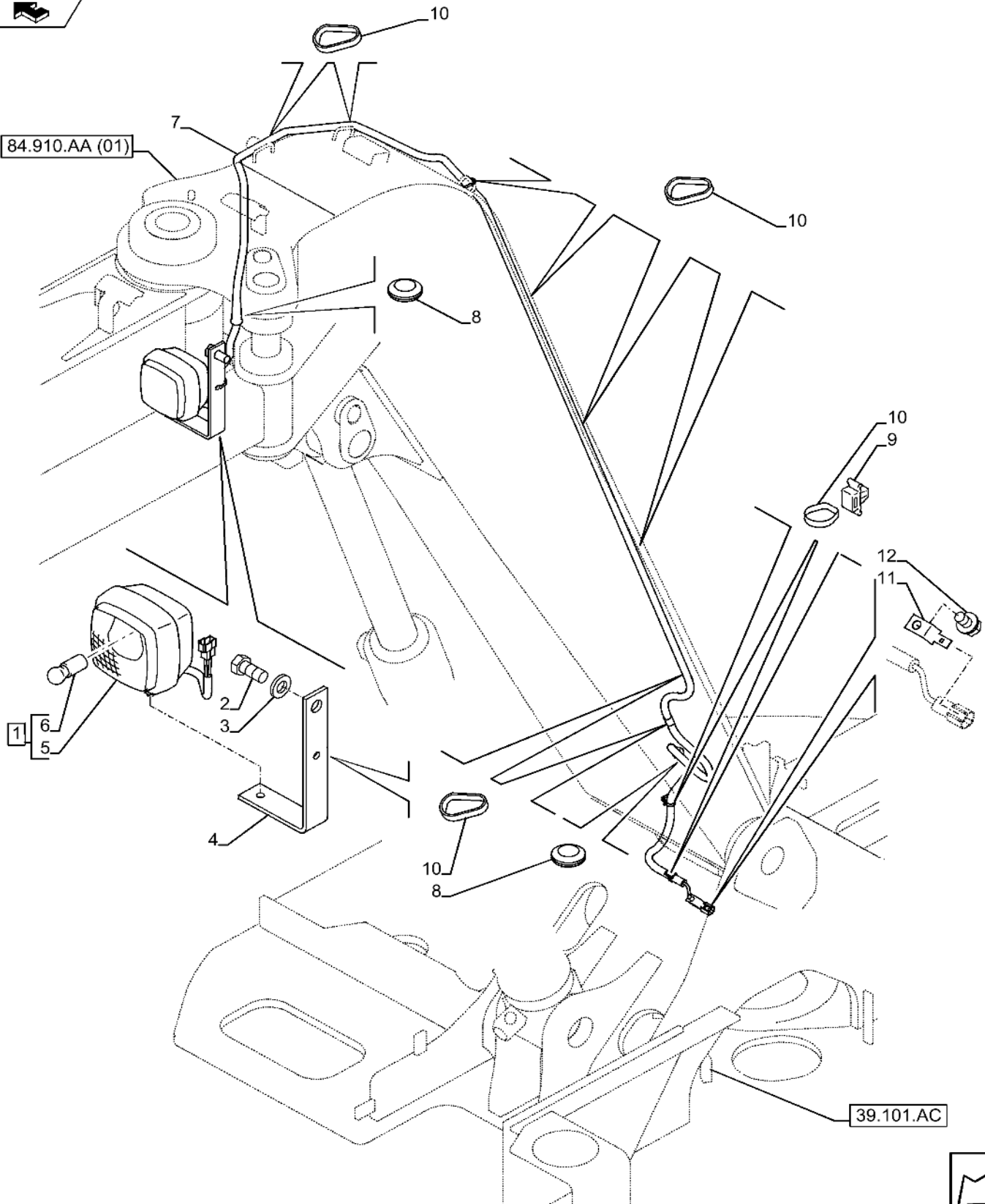
55.404.BS

03

p1

12/201
9

VAR - 461025 - WORK LIGHT



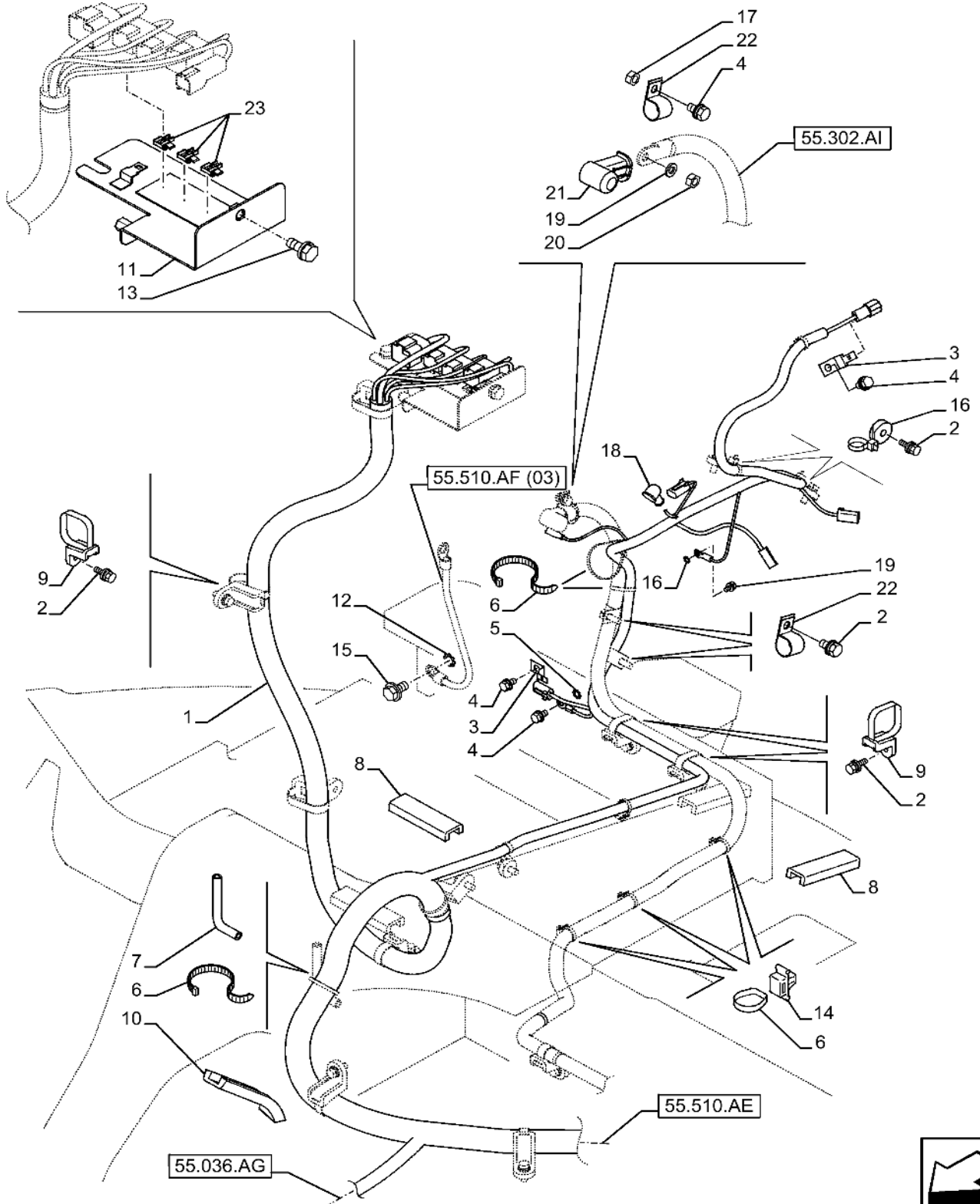
55.510.AF

01

p1

12/2019

CAB MAIN WIRE HARNESS



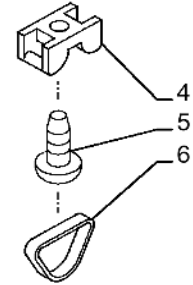
55.510.BO

02

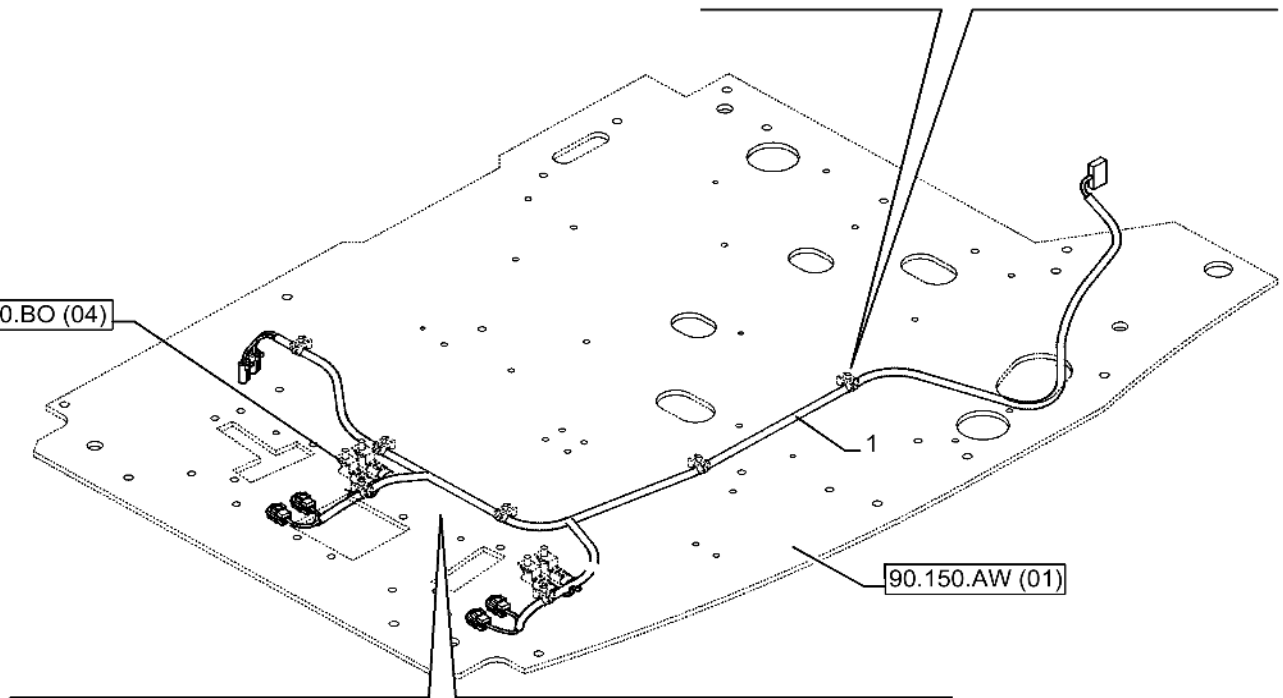
p1

12/201
9

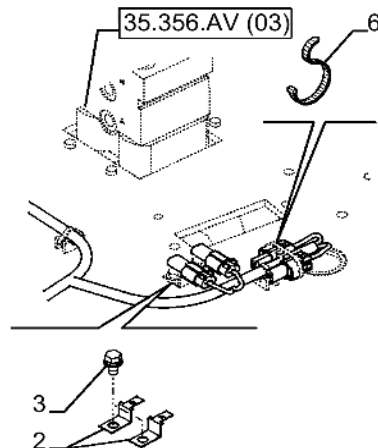
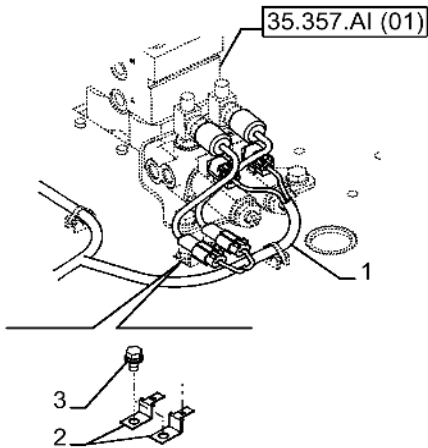
WIRE HARNESS PLATFORM



55.510.BO (04)



90.150.AW (01)



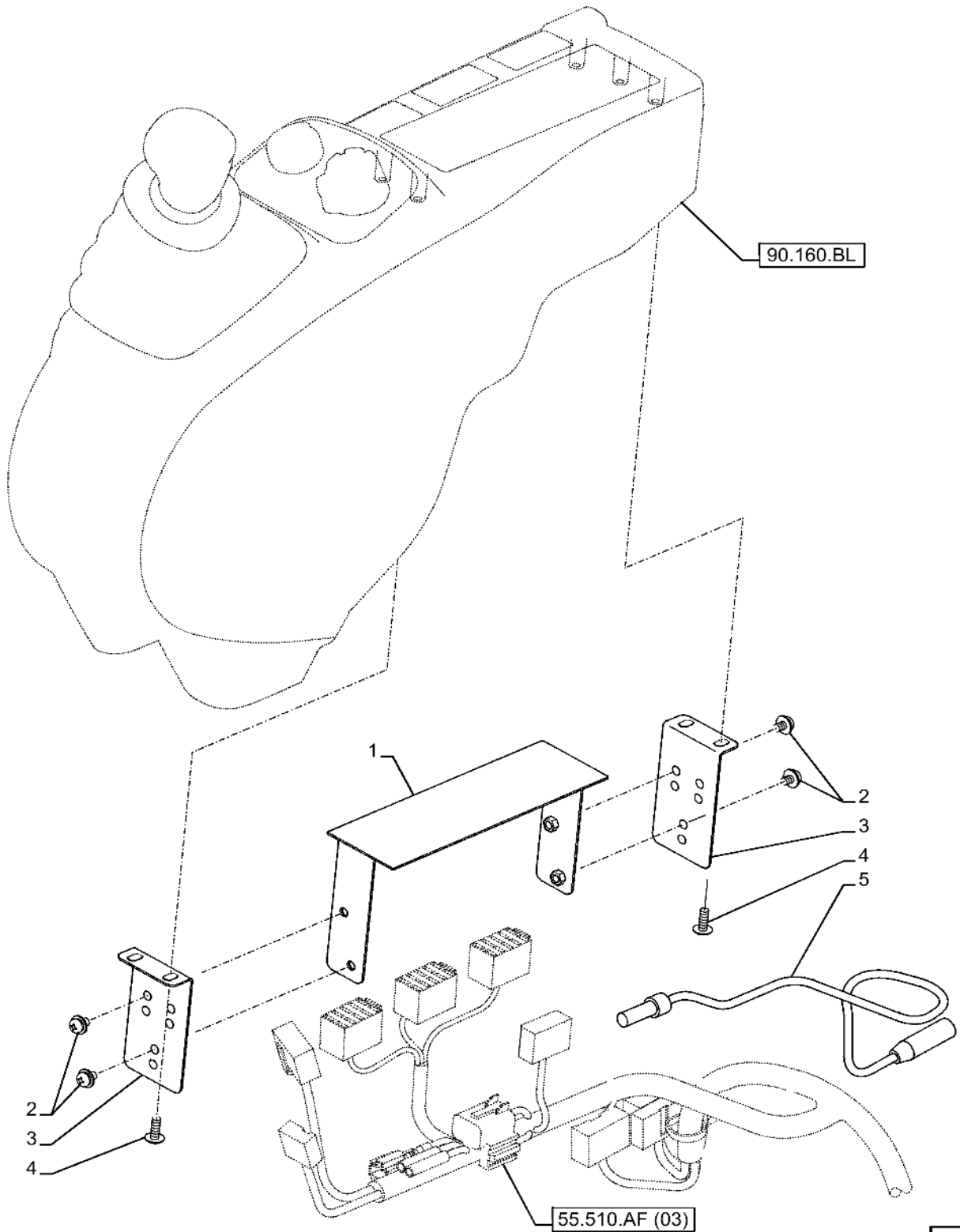
55.512.AA

02

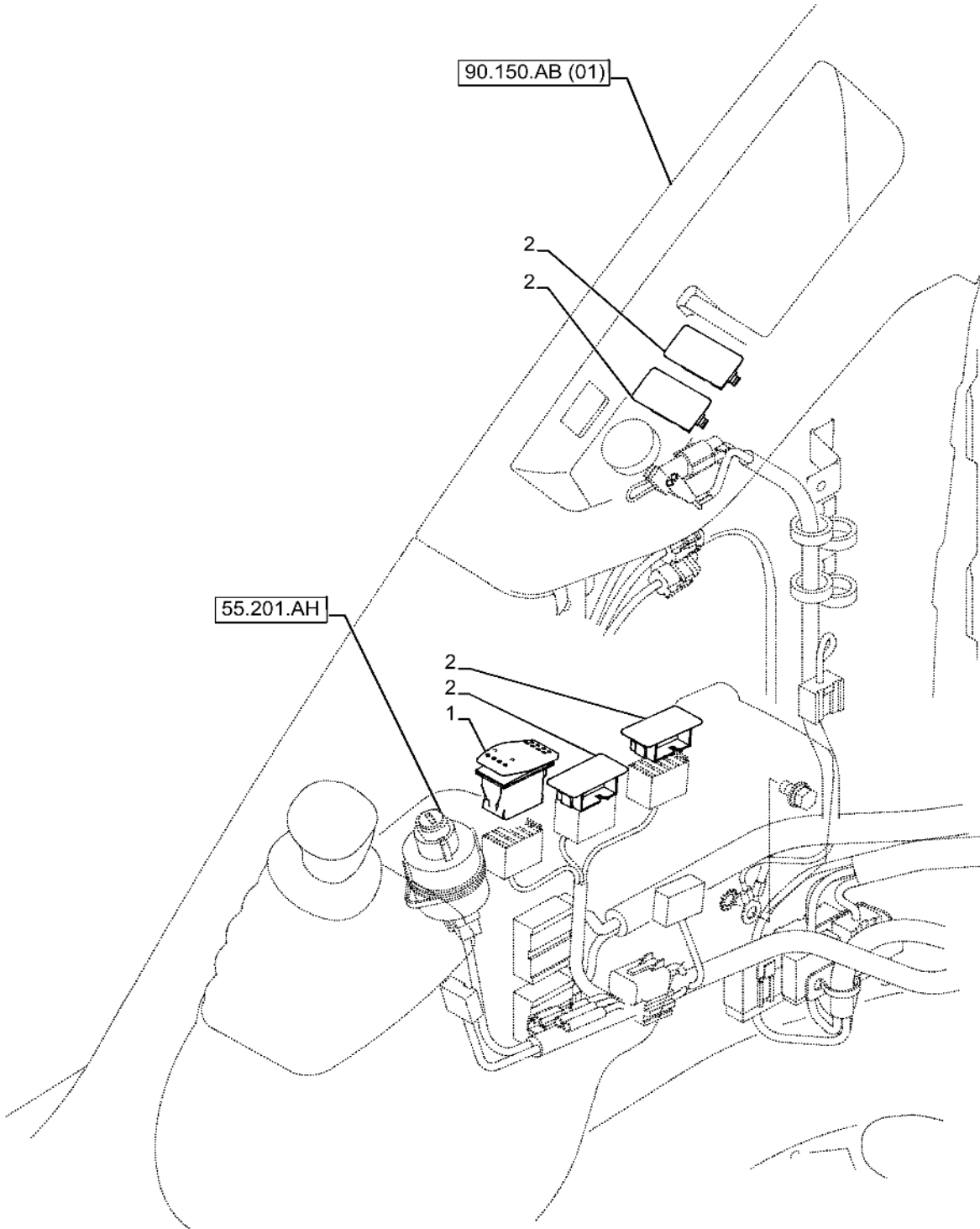
p1

12/201
9

VAR - 781791 - CAB RADIO SET



SWITCH PANEL

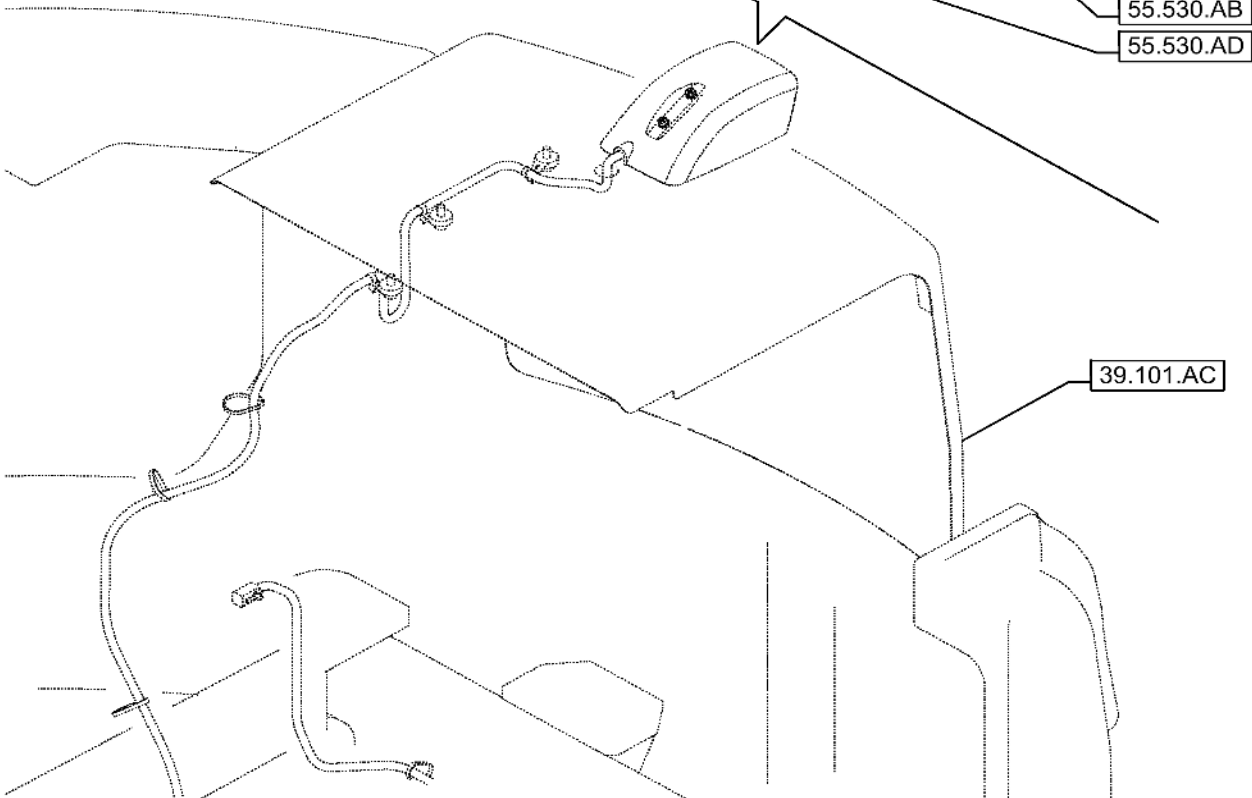
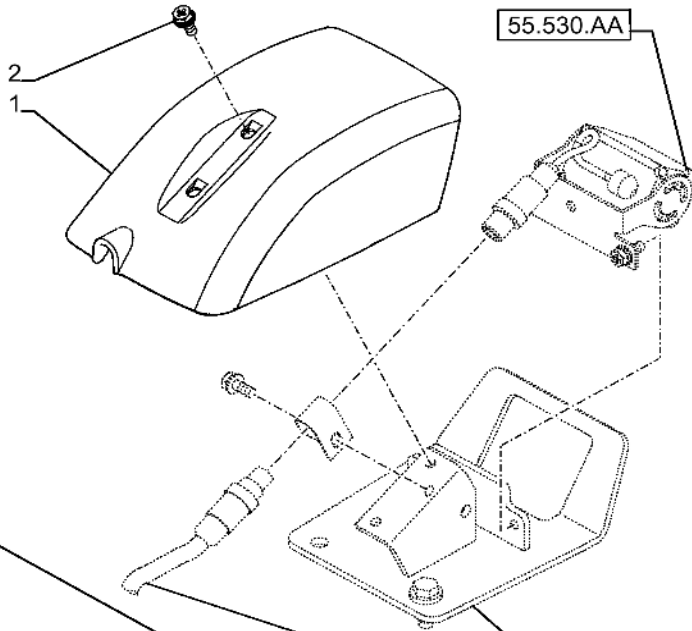


55.530.AC

p1

12/201
9

VAR - 461504 - COVER



71.000.00

02

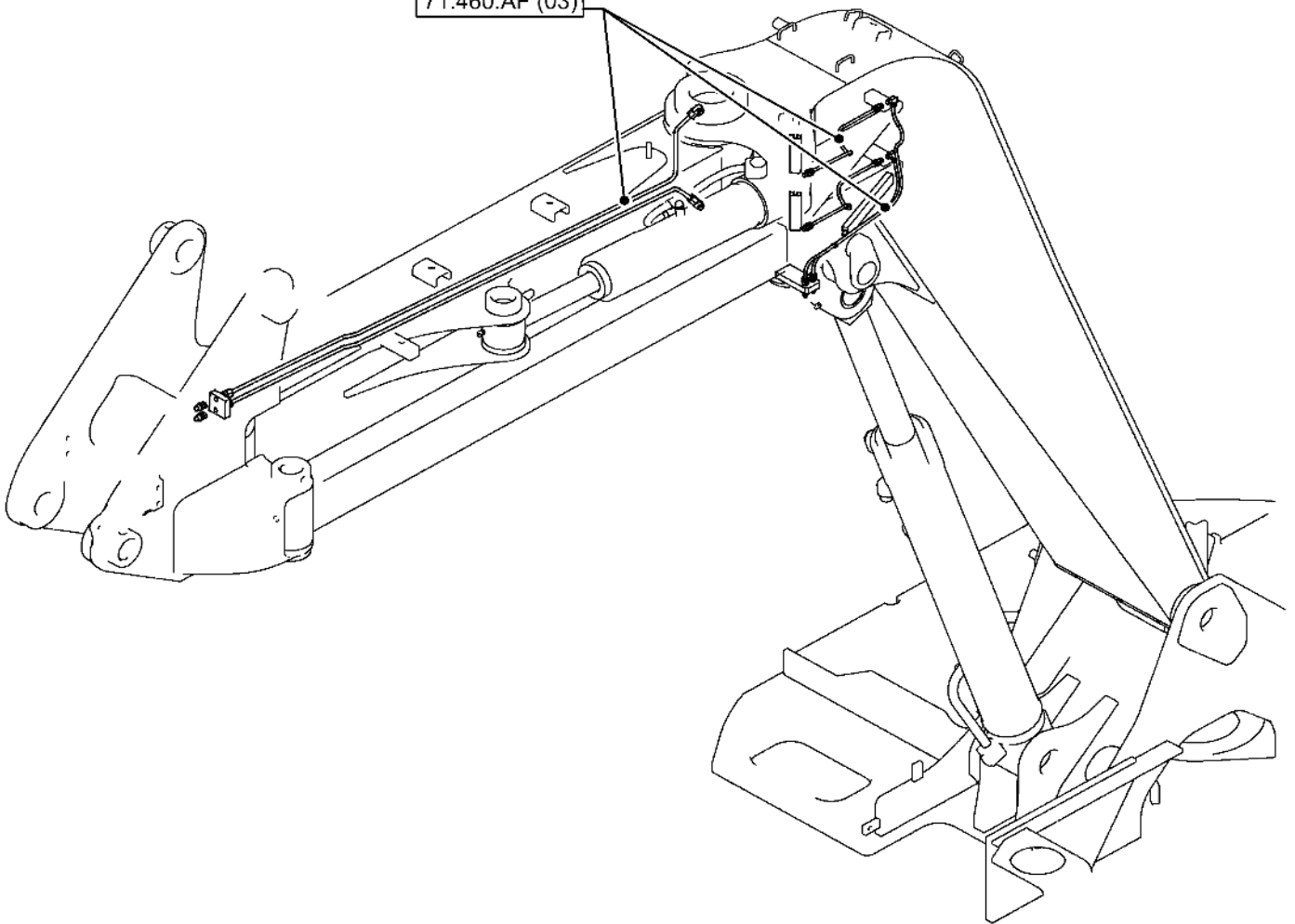
p1

12/201
9

SECTION INDEX - LUBRICANT



71.460.AF (03)

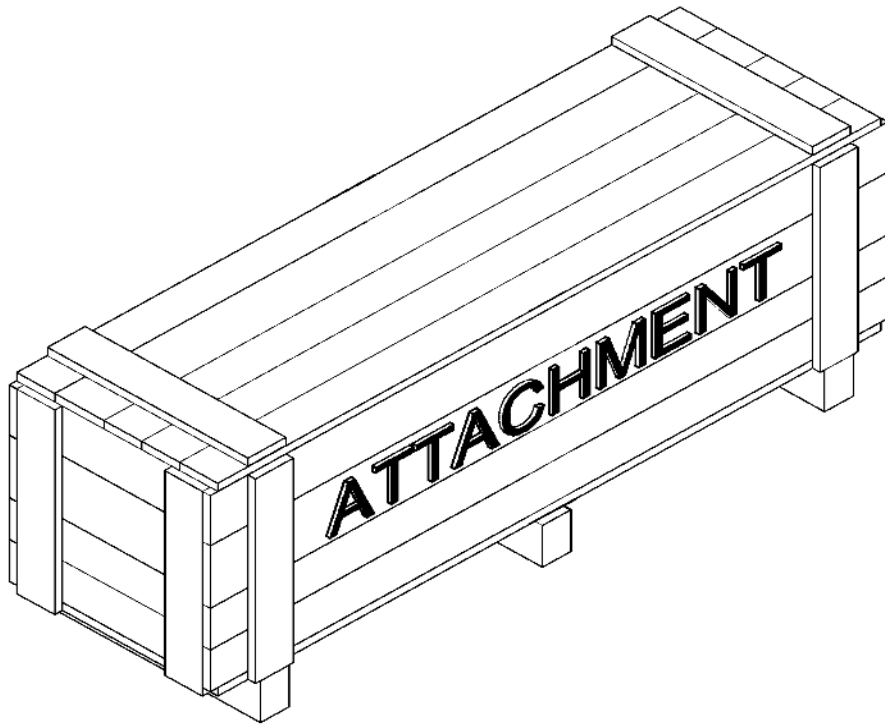


84.001.00

p1

12/201
9

ATTACHMENT, BOOM, DIPPER, BUCKET



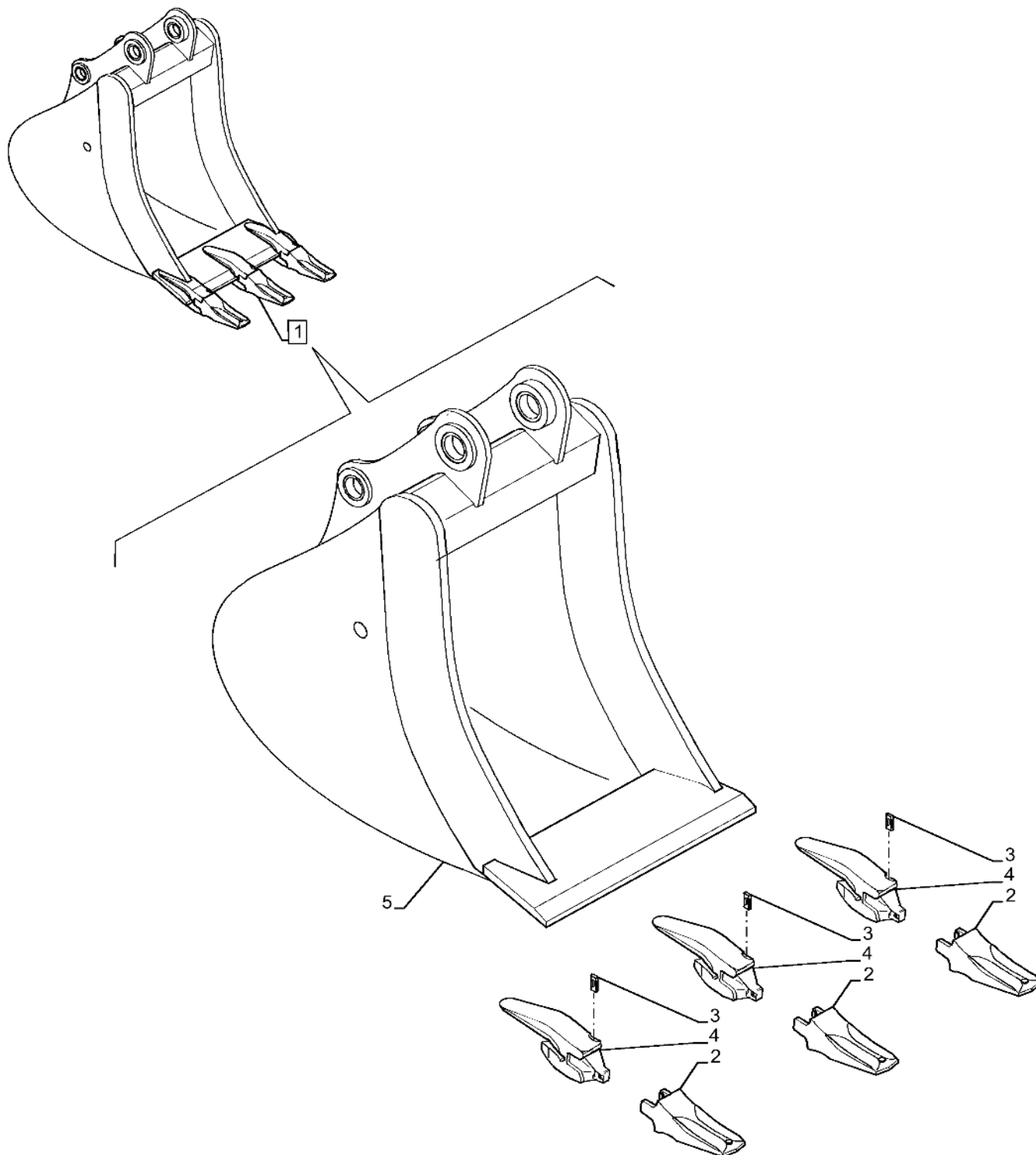
84.100.AB

03

p1

12/201
9

BUCKET (L=400MM)



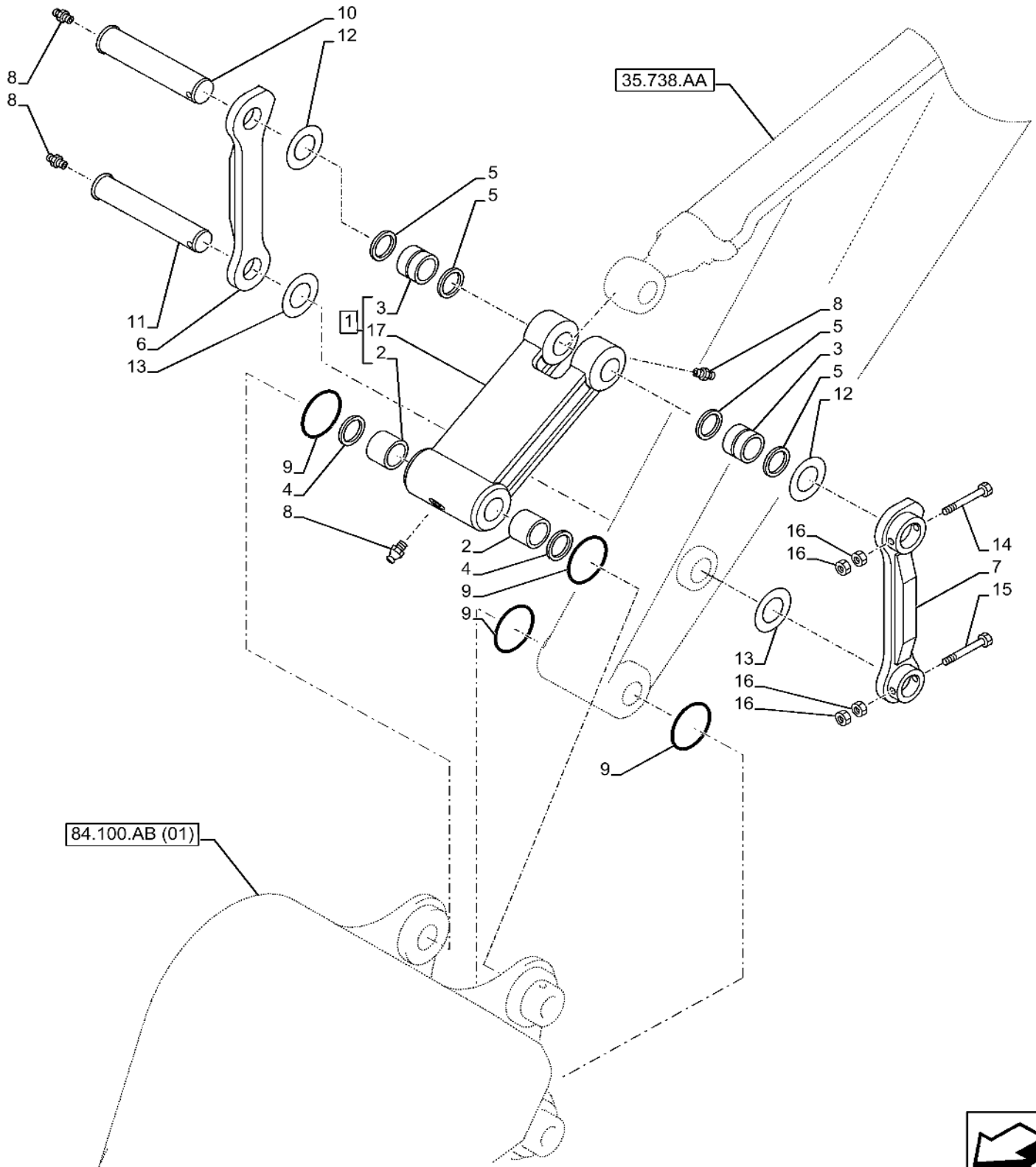
84.100.AP

02

p1

12/201
9

VAR - 461023 - LINK, ROD

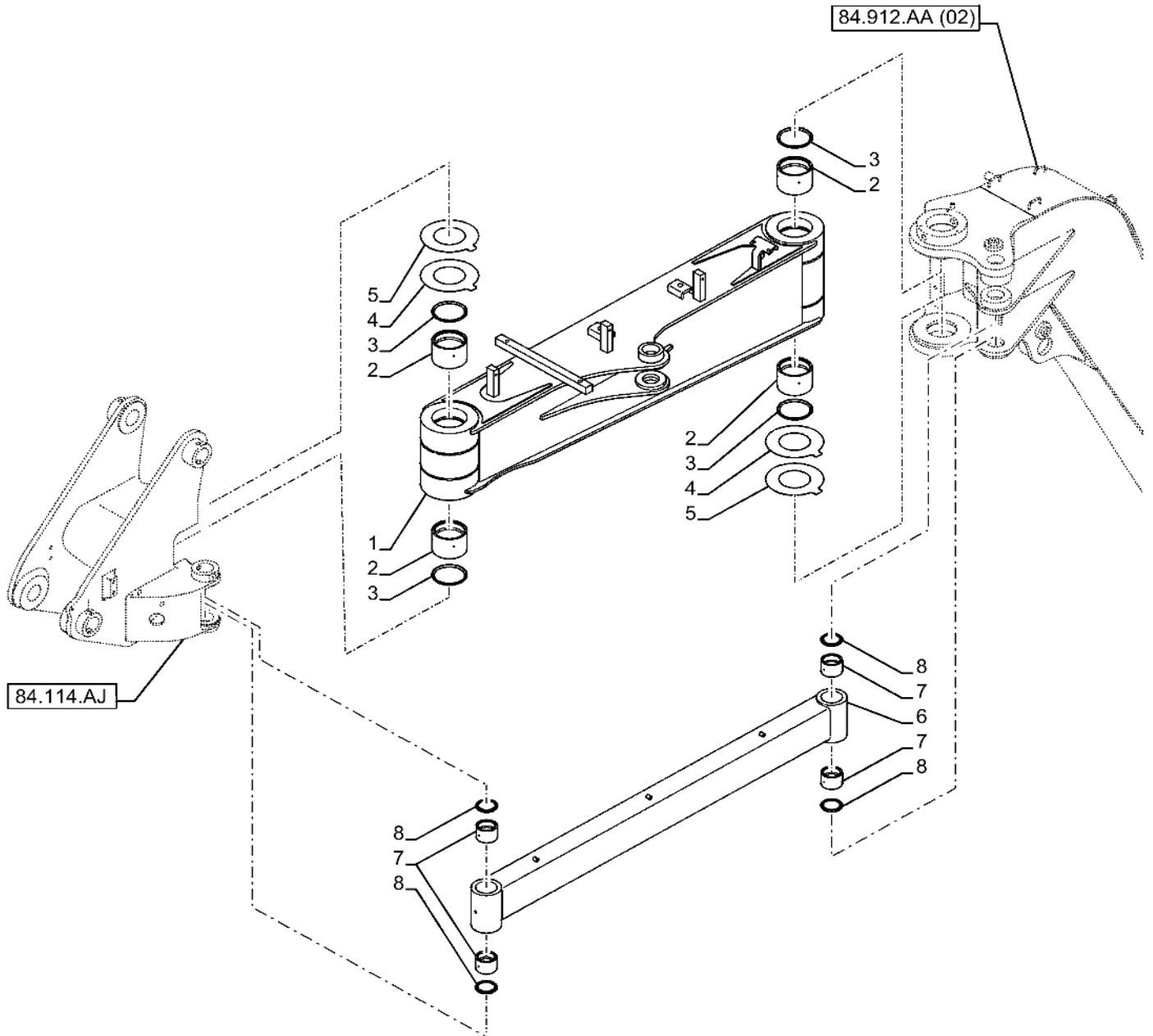


84.910.AB

p1

12/2019

VAR - 461559, 481064, 461025 - SECOND BOOM



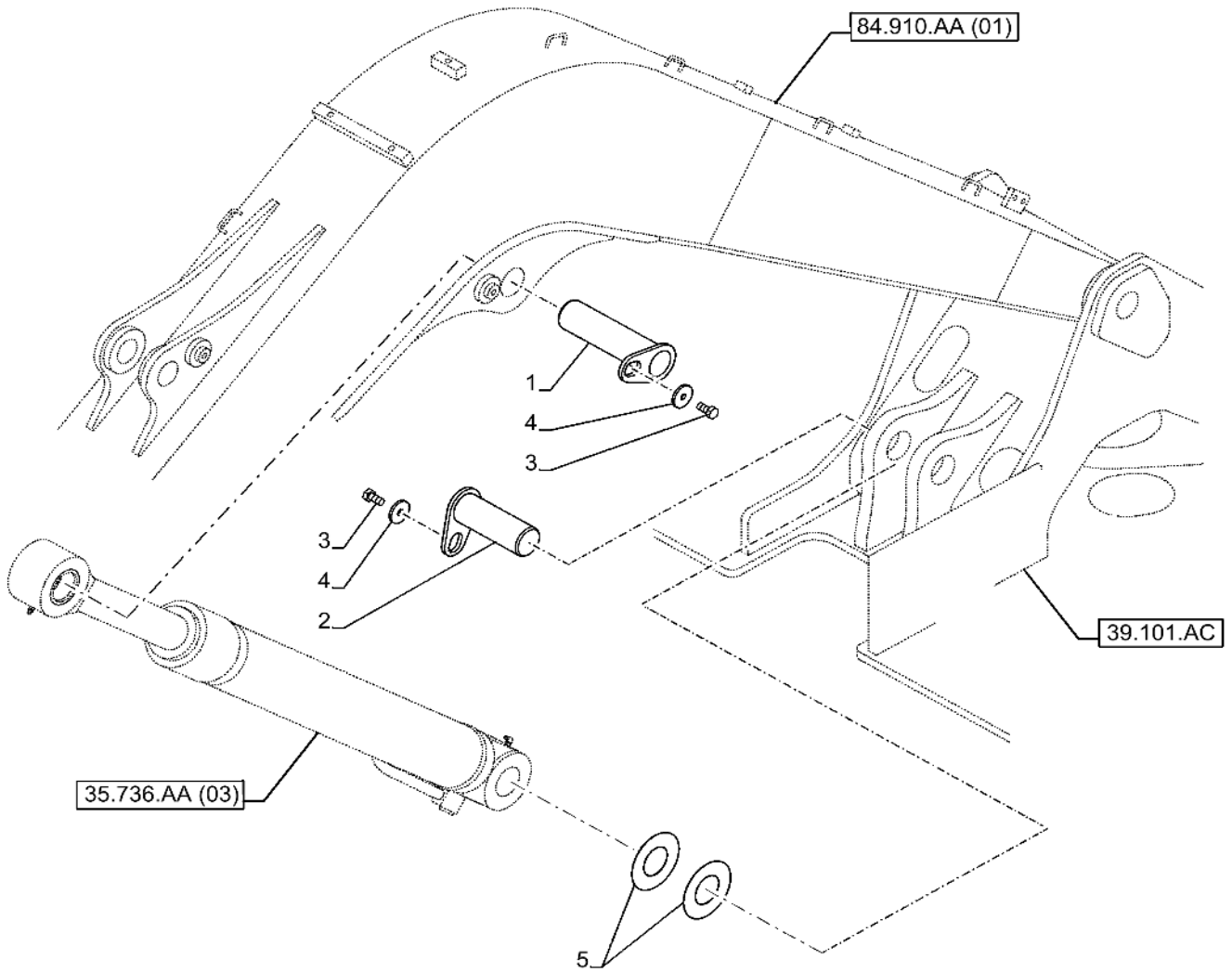
84.910.AC

07

p1

12/201
9

VAR - 481858, 461025 - PIN



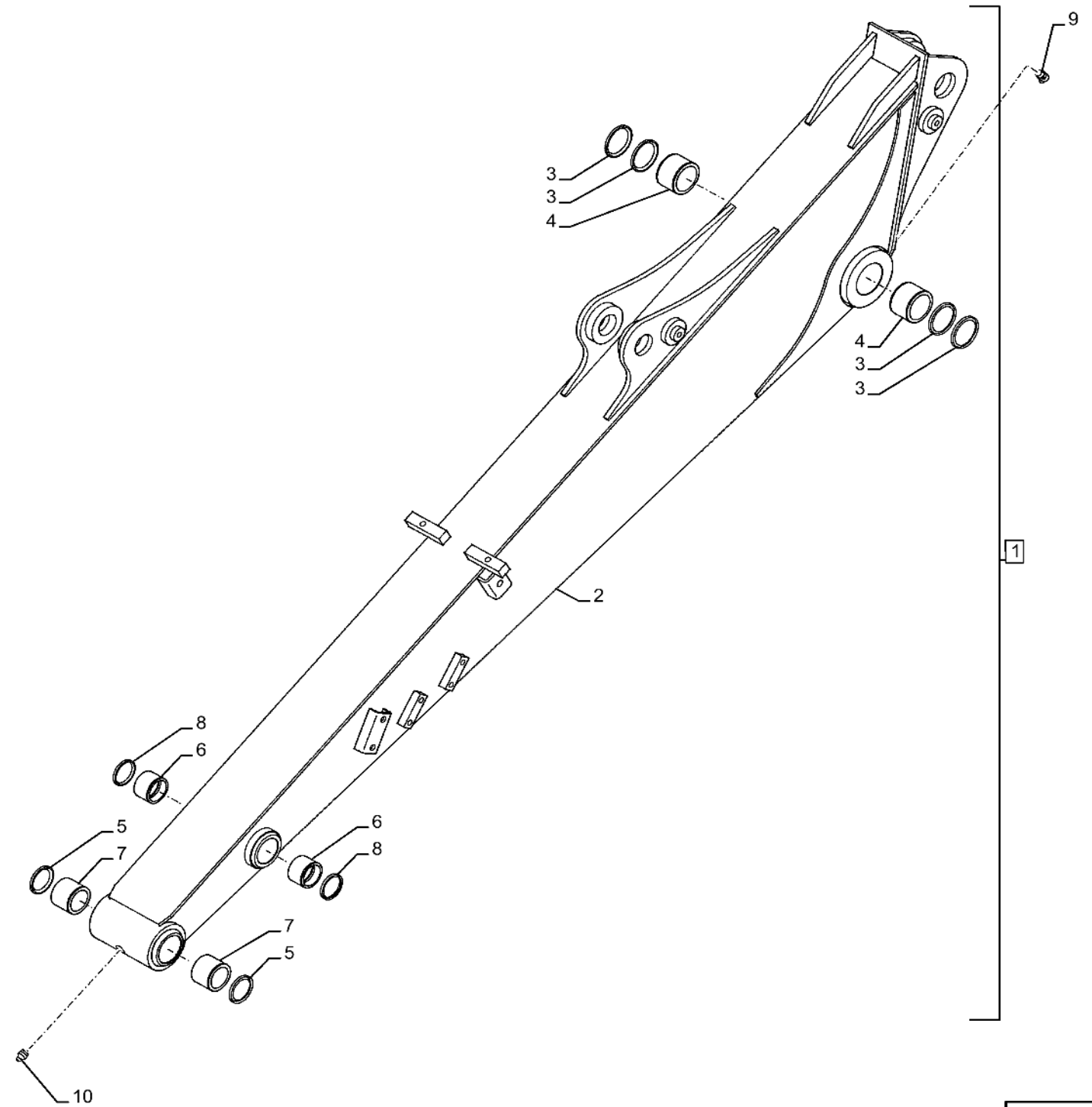
84.912.AA

02

p1

12/201
9

VAR - 481265 - DIPPER (L= 2190 MM)

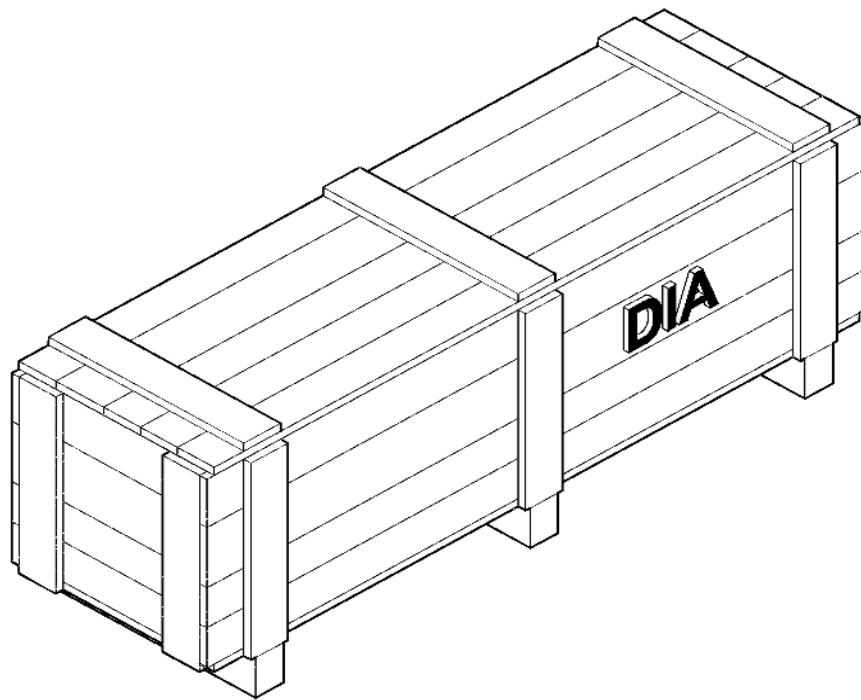


88.100.00

p3

12/201
9

DIA KITS



90.000.00

01

p1

12/2019

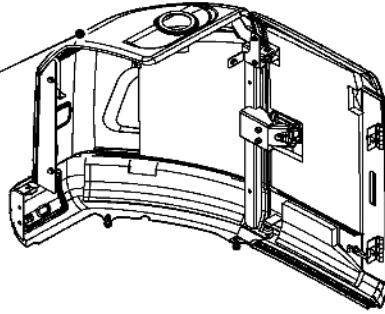
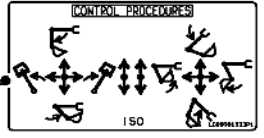
SECTION INDEX - PLATFORM, CAB, BODYWORK AND DECALS



- 90.108.AA (01)
- 90.108.AA (02)
- 90.108.AA (03)
- 90.108.AA (04)
- 90.108.AA (05)
- 90.108.AA (06)
- 90.108.AA (07)
- 90.108.AA (08)

90.105.BH (01)

90.105.BH (02)



90.118.BX



90.102.BS (01)

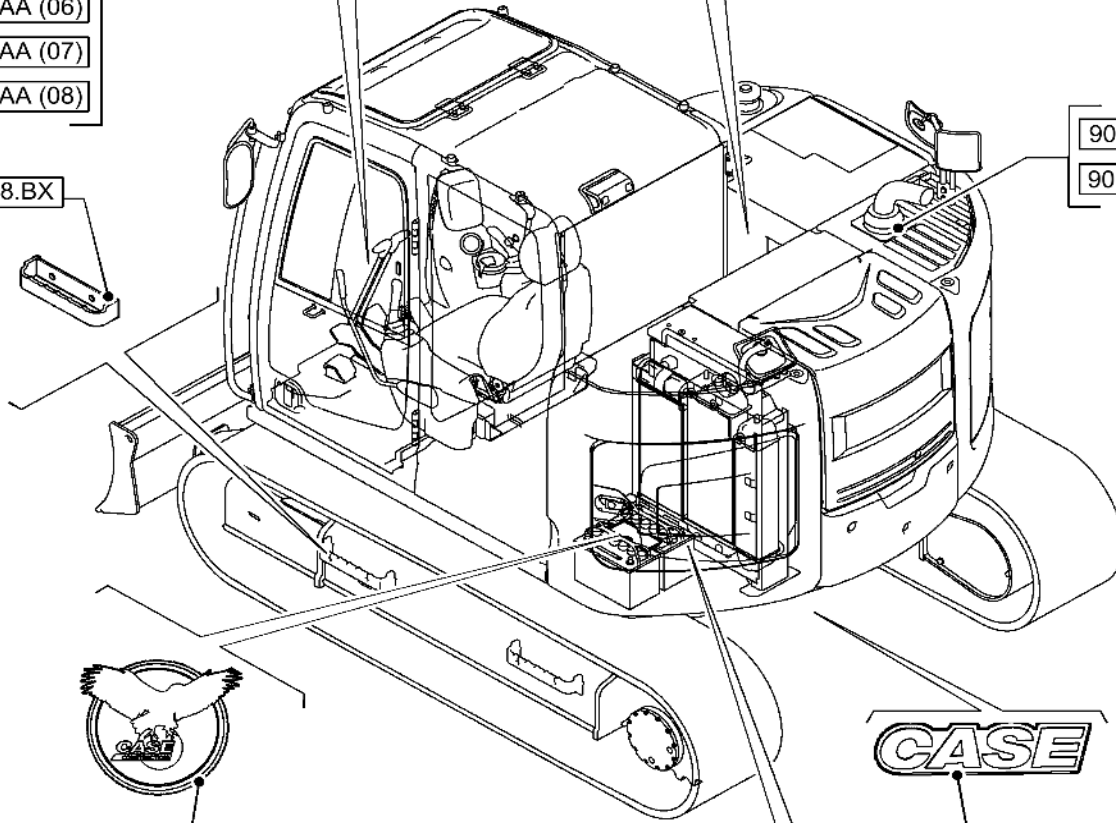
90.102.BS (02)



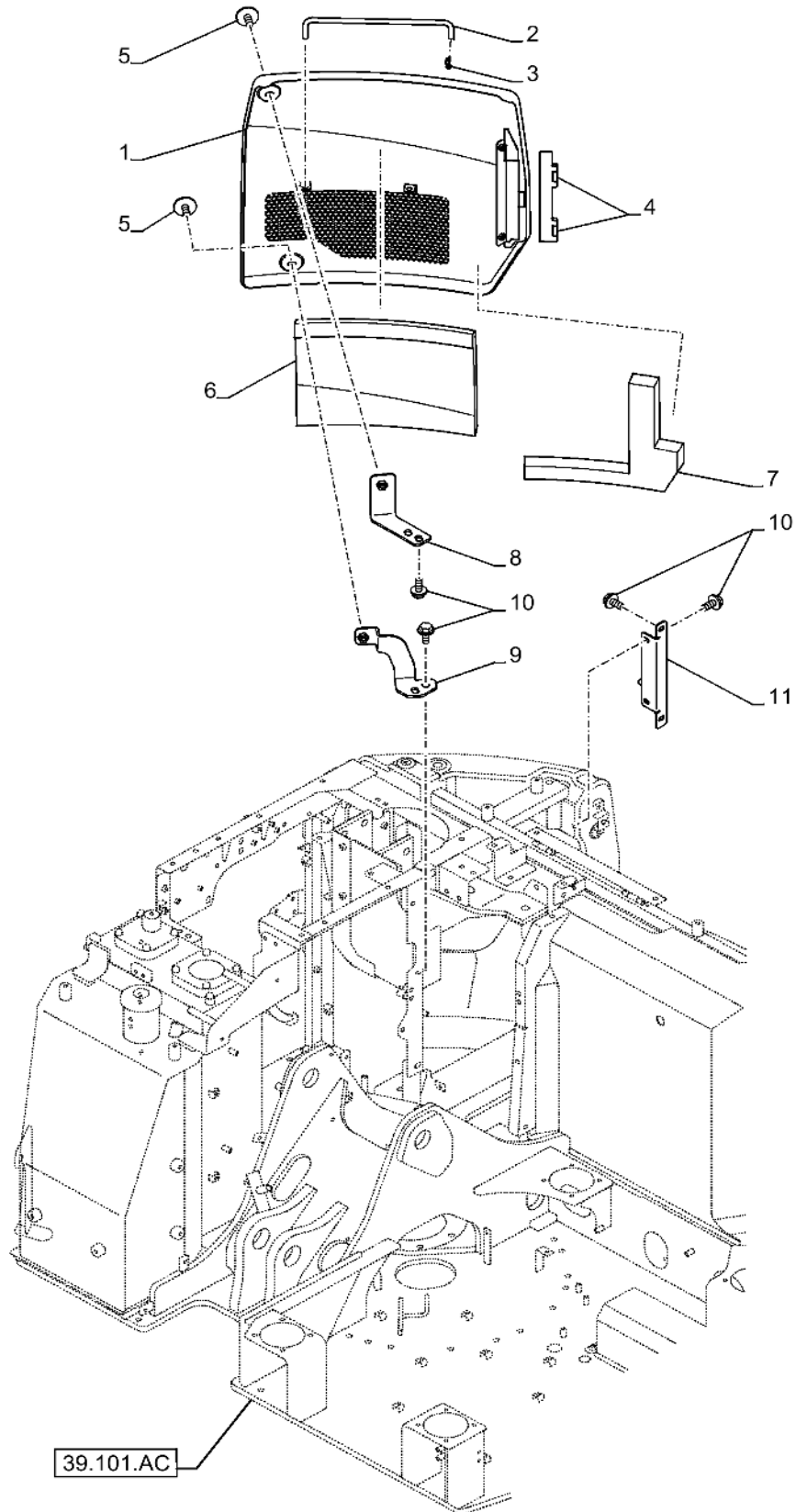
- 90.108.AE (01)
- 90.108.AE (02)
- 90.108.AE (03)
- 90.108.AE (04)
- 90.108.AE (05)
- 90.108.AE (06)
- 90.108.AE (07)
- 90.108.AE (08)

- 90.108.AC (01)
- 90.108.AC (02)
- 90.108.AC (03)
- 90.108.AC (04)
- 90.108.AC (05)
- 90.108.AC (06)

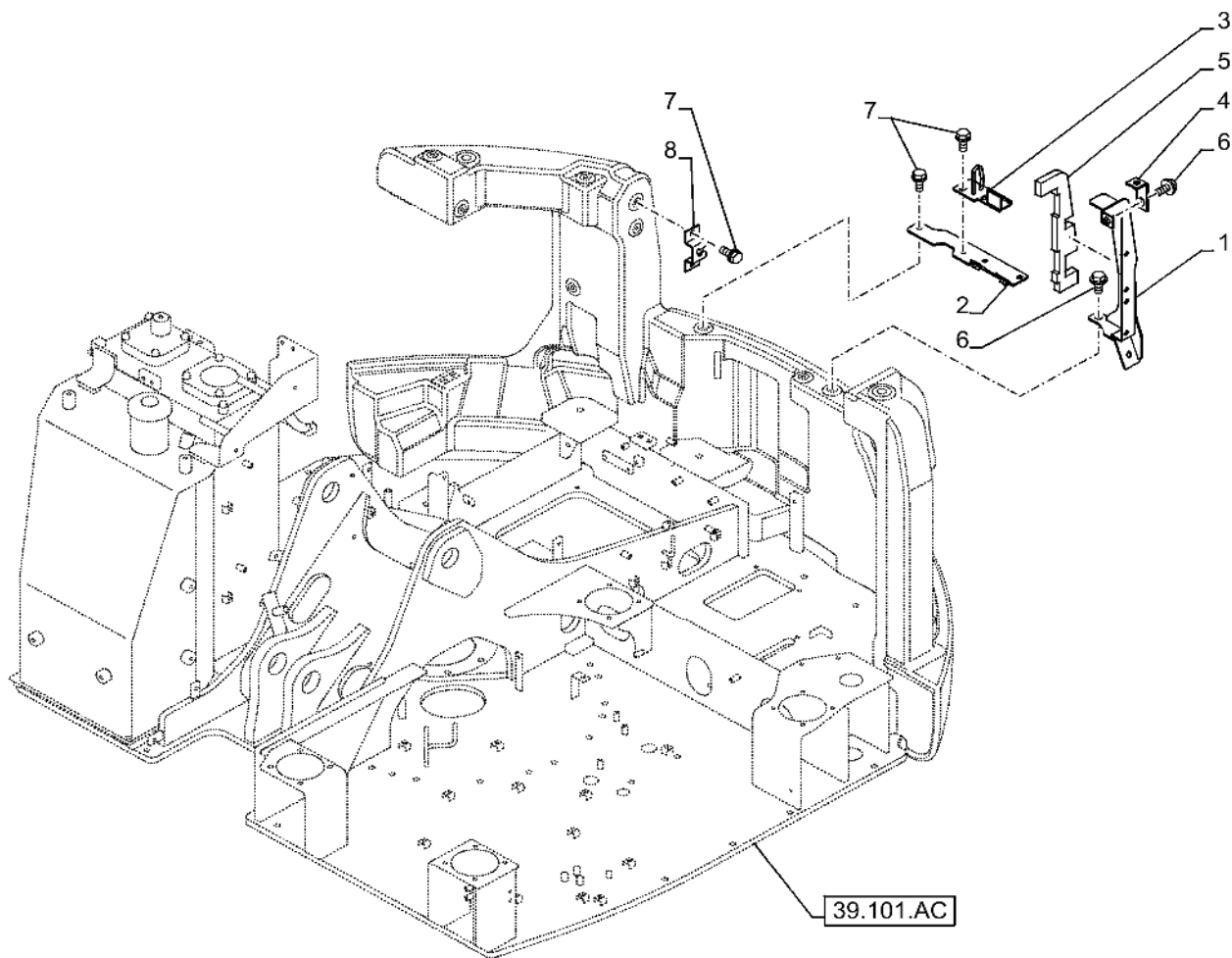
- 90.108.AB (01)
- 90.108.AB (02)
- 90.108.AB (03)
- 90.108.AB (04)
- 90.108.AB (05)
- 90.108.AB (06)



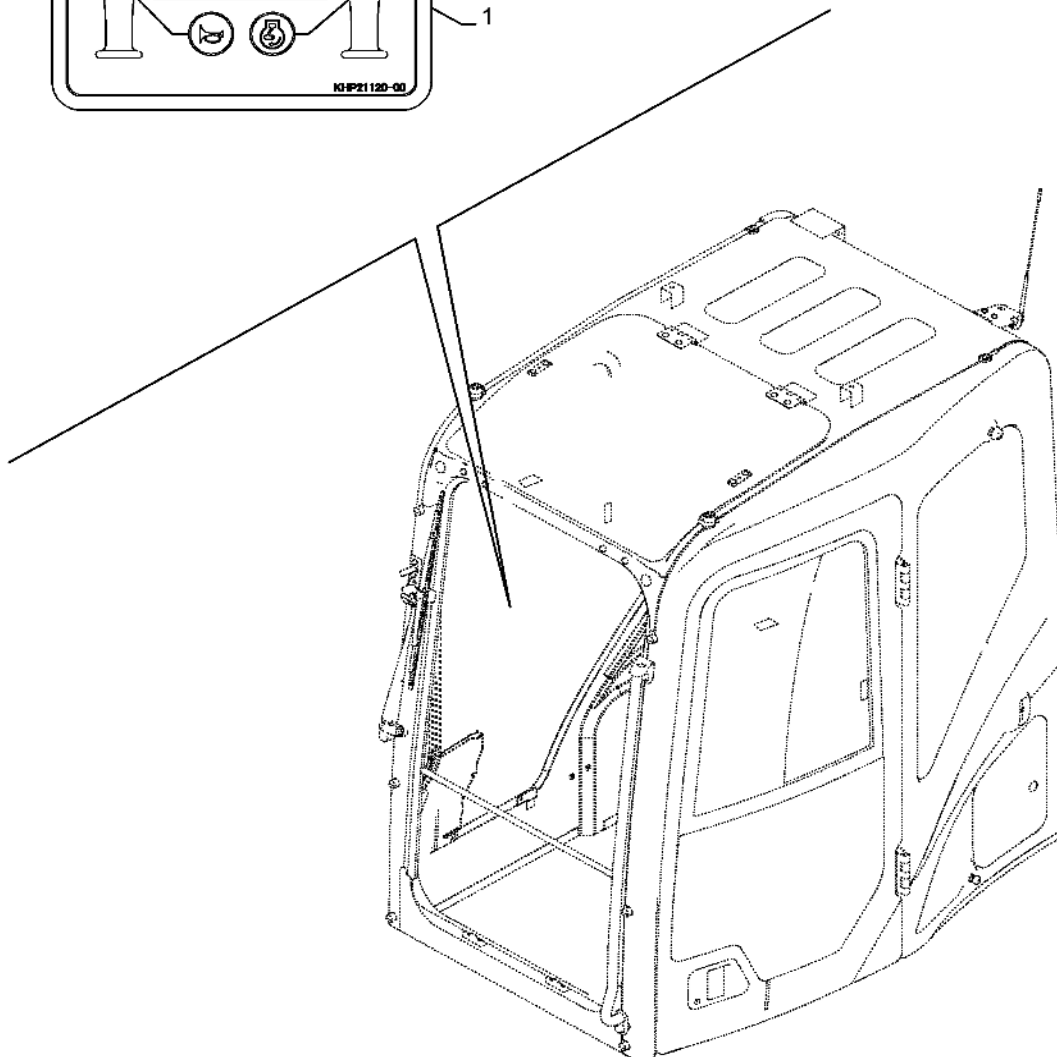
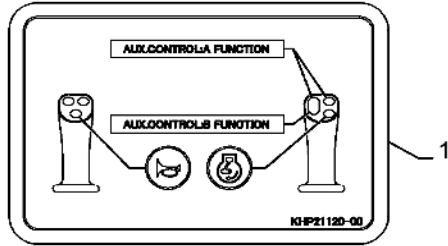
SIDE PANELS



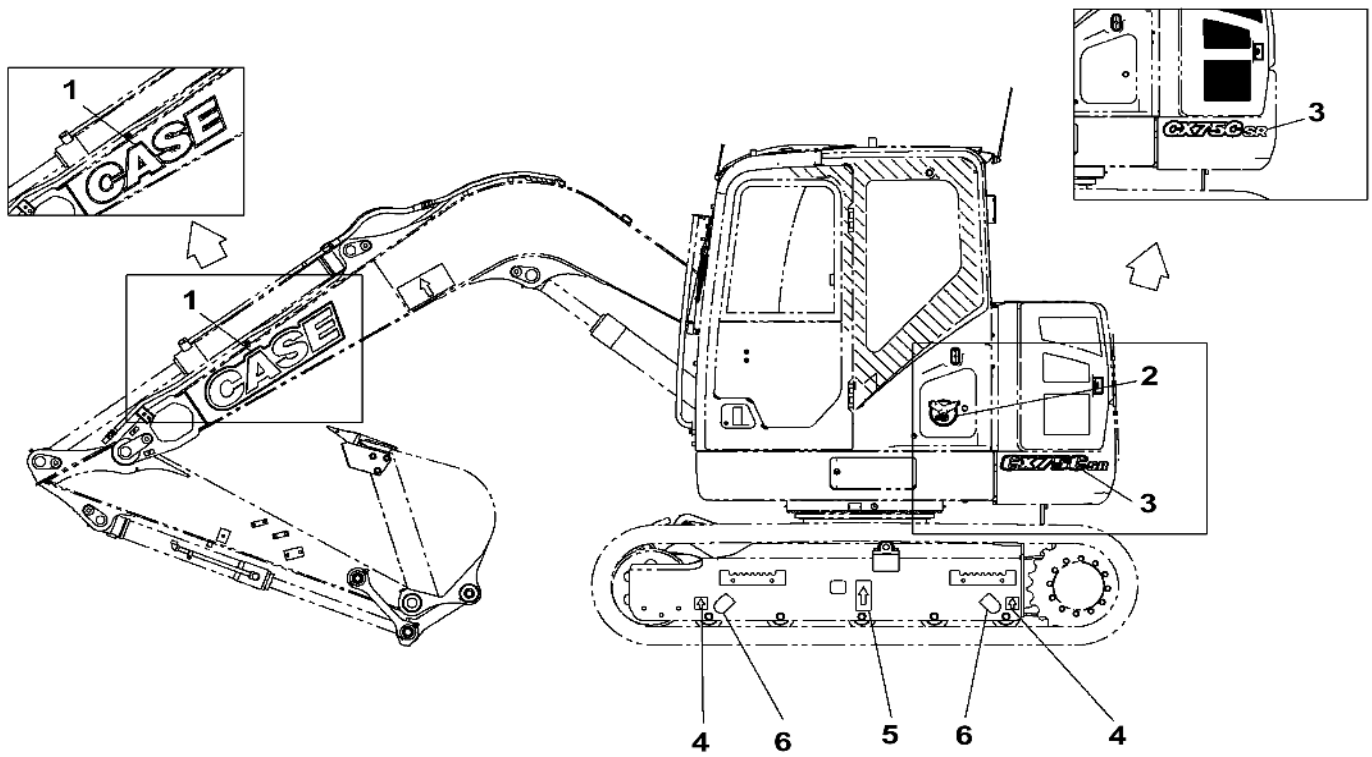
HOOD SUPPORT



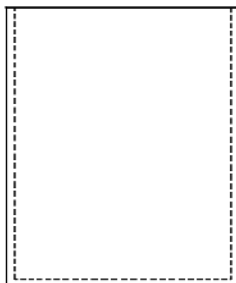
CONTROL DECALS



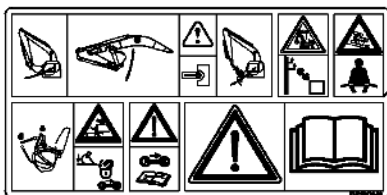
BRAND/MODEL DECALS



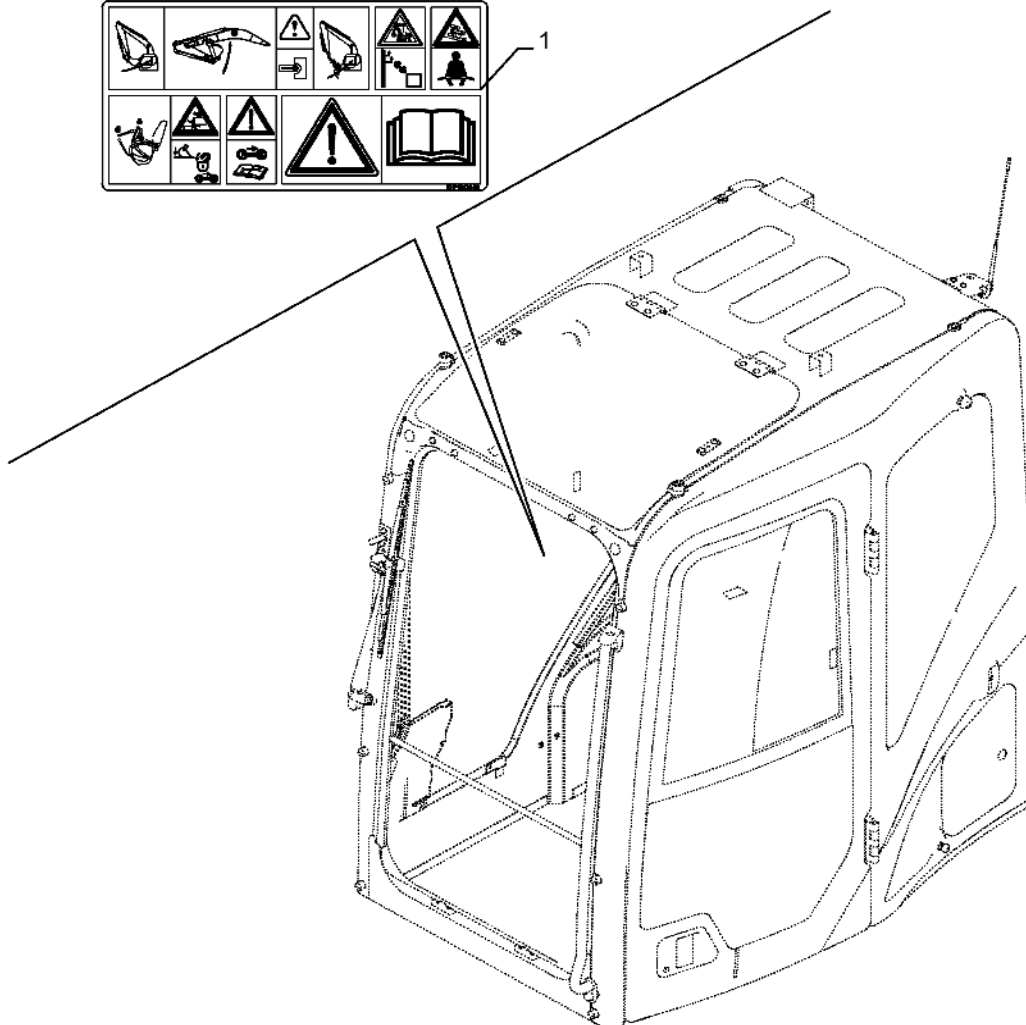
SAFETY SIGNS OR INFORMATIONAL DECALS



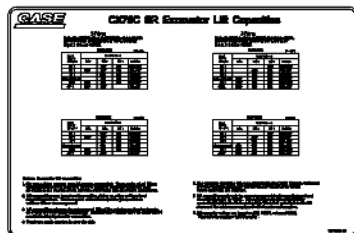
2



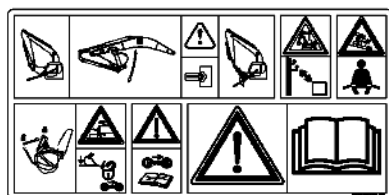
1



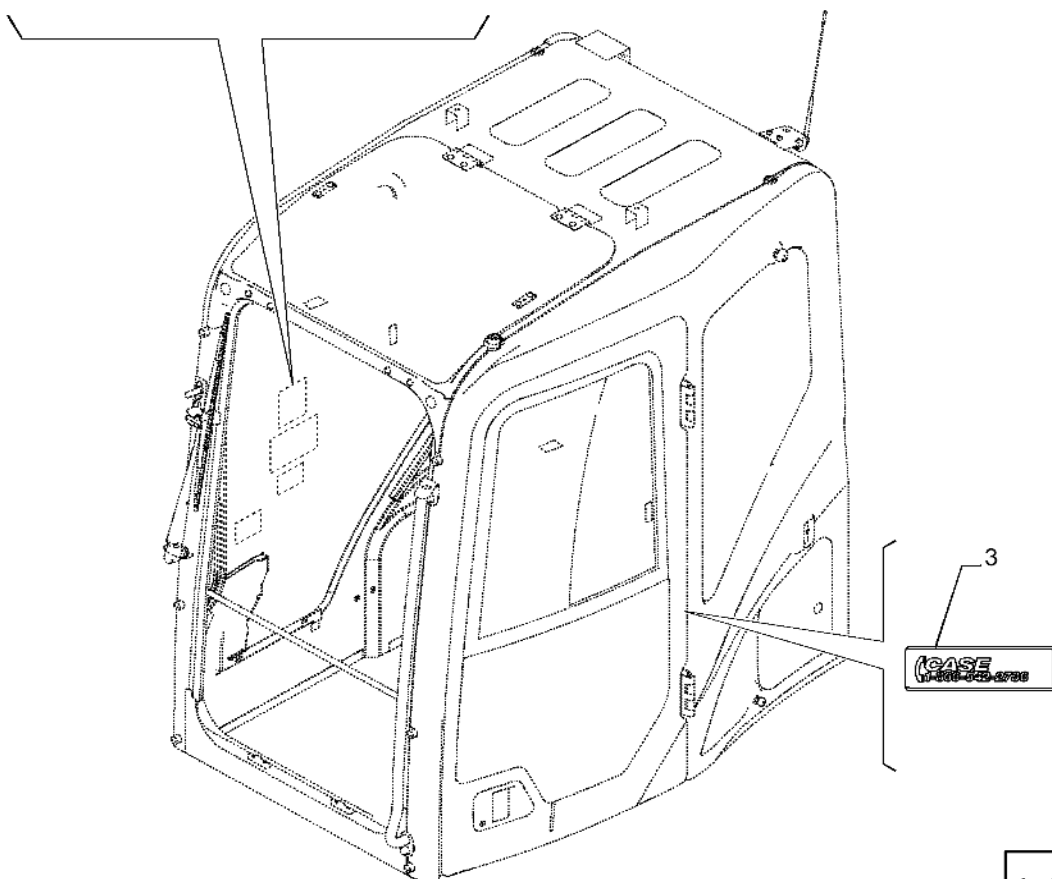
SAFETY SIGNS OR INFORMATIONAL DECALS



2



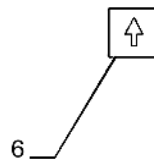
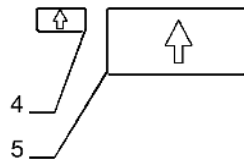
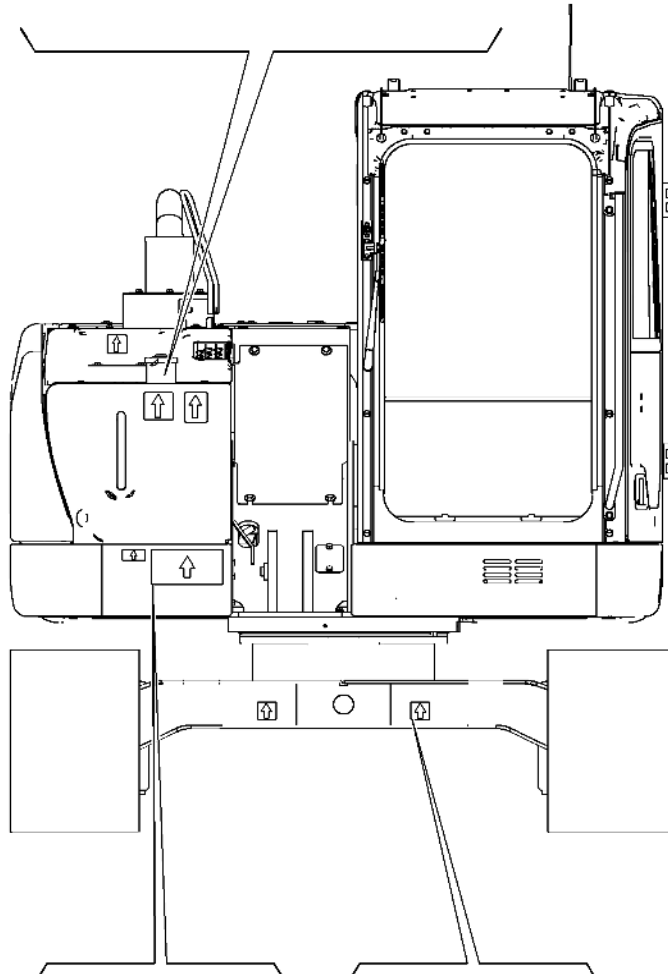
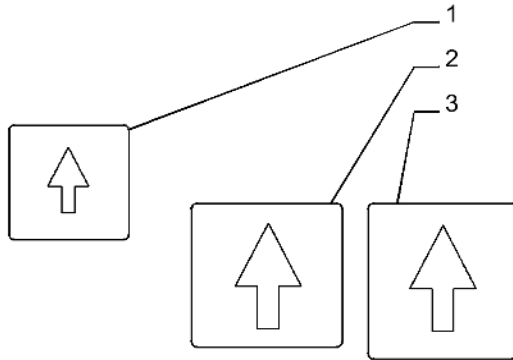
1




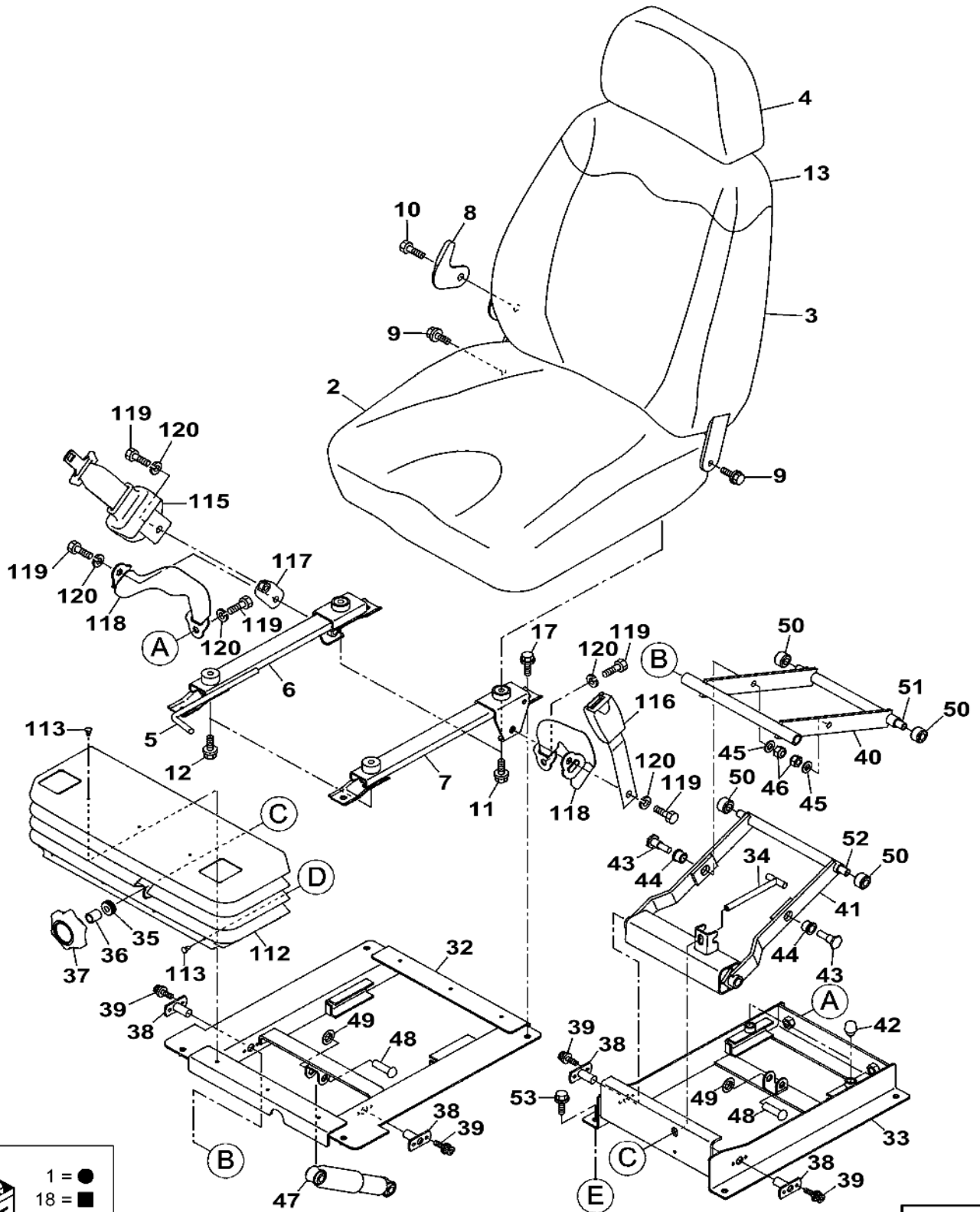
3



OTHER DECAL




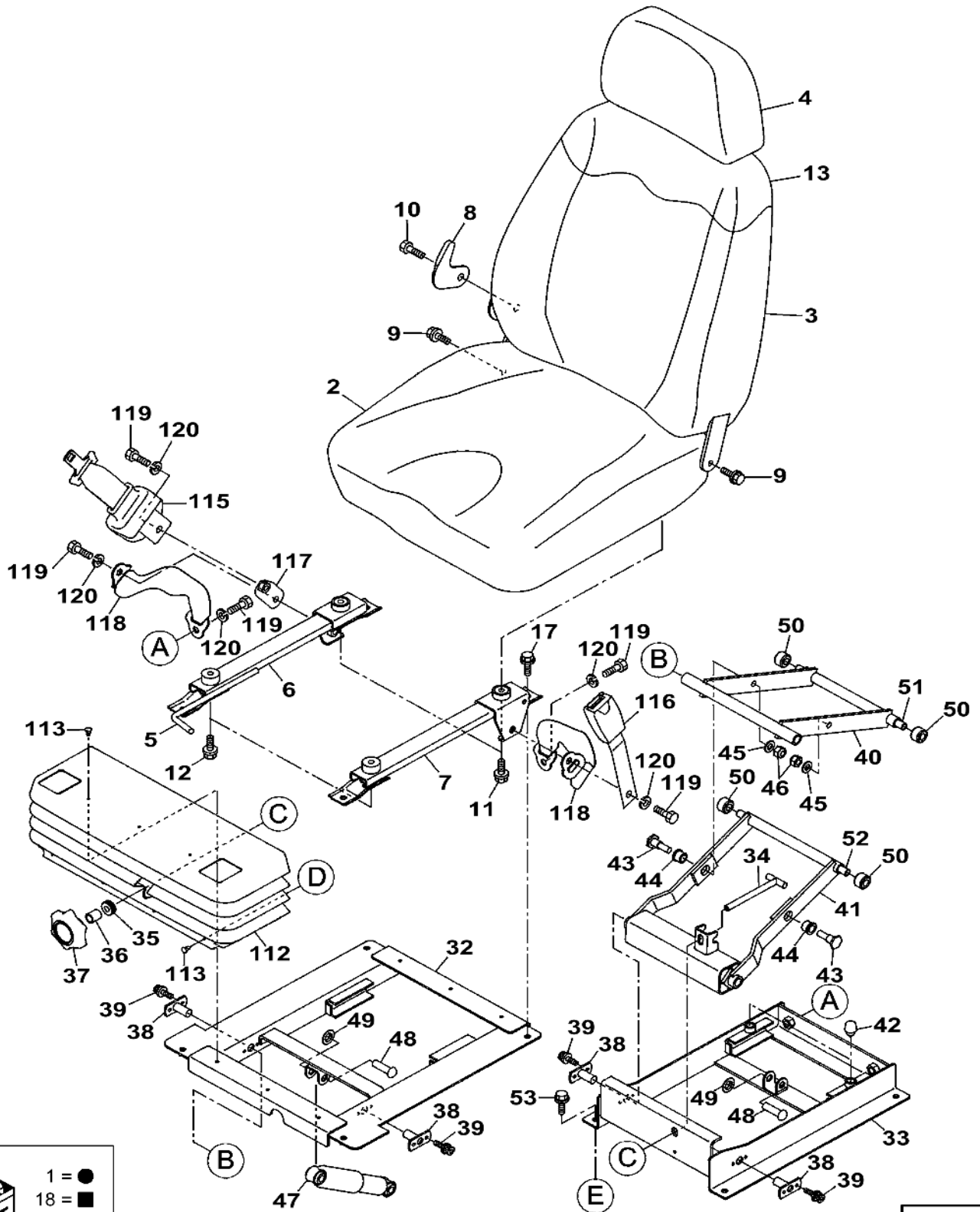
SEAT, MECHANICAL SUSPENSION - END S/N NHS6A1313



1 = ●
18 = ■
31 = ▲
114 = ○



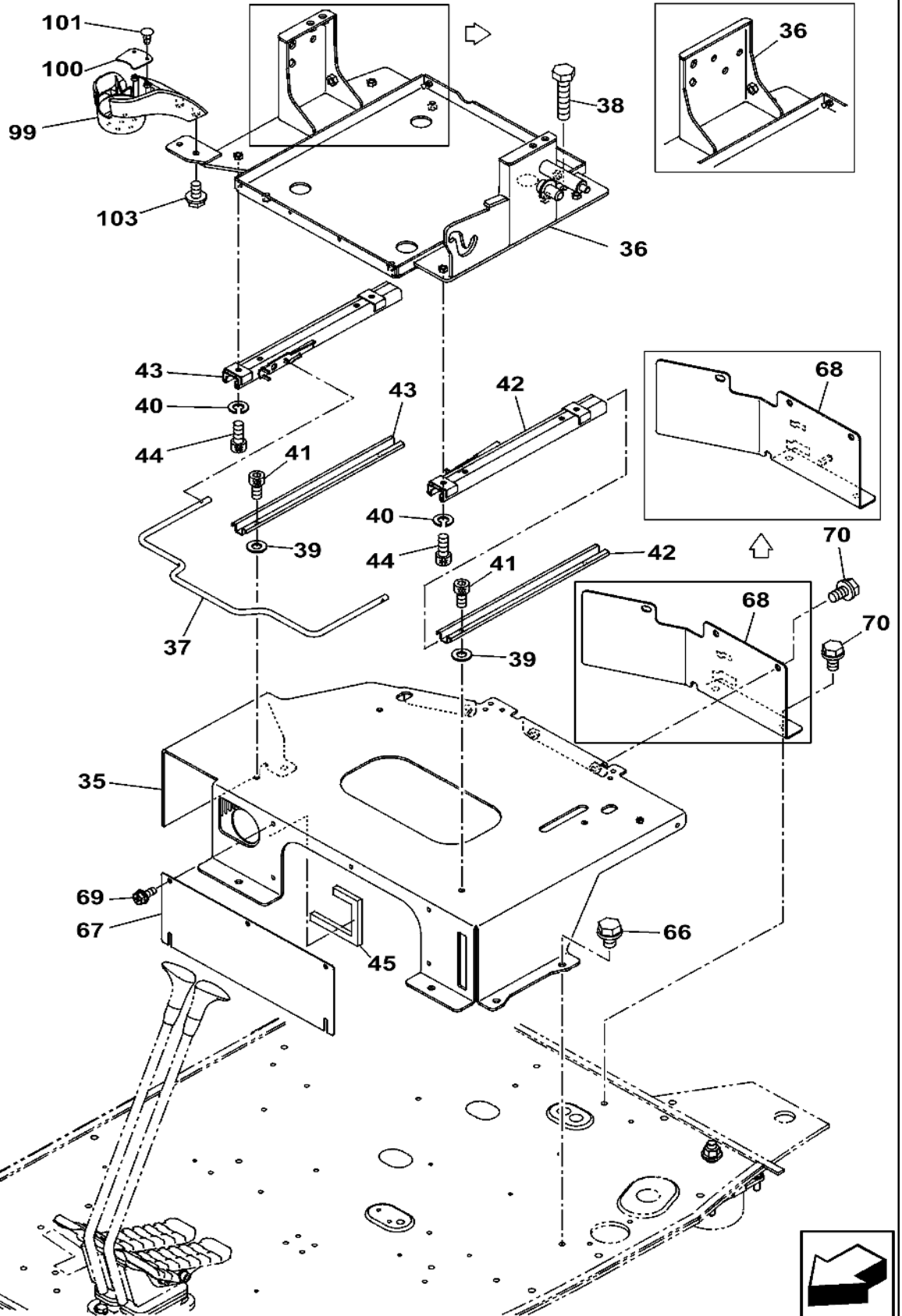
SEAT, MECHANICAL SUSPENSION - END S/N NHE6A1576



1 = ●
18 = ■
31 = ▲
114 = ○


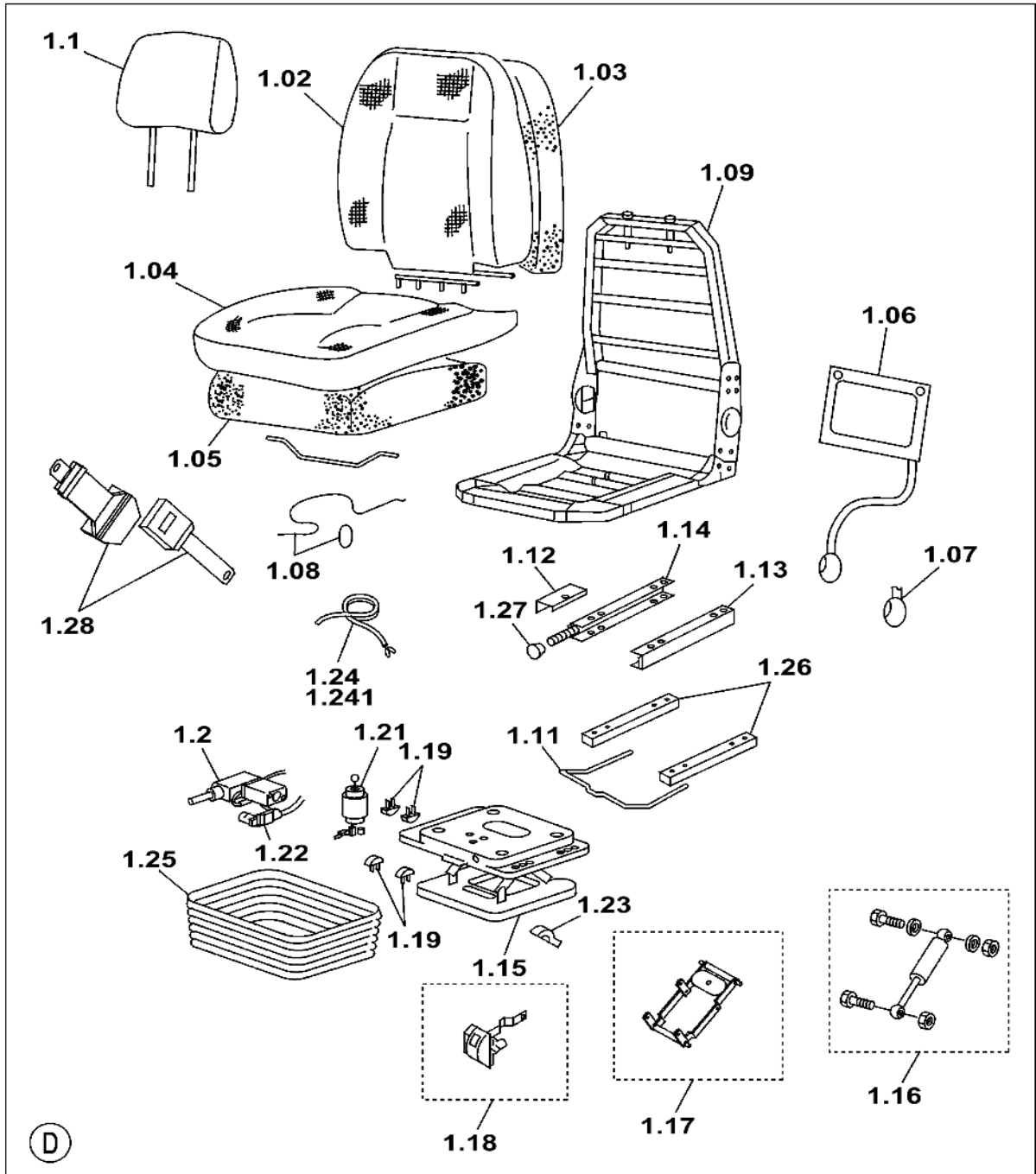


SEAT, MECHANICAL SUSPENSION, SUPPORT - END S/N NHS6A1325



SEAT, AIR SUSPENSION, CUSHION - END S/N NHE6A1576

from (C)
↓



1 = ●
1.01 = ■
1.15 = ▲



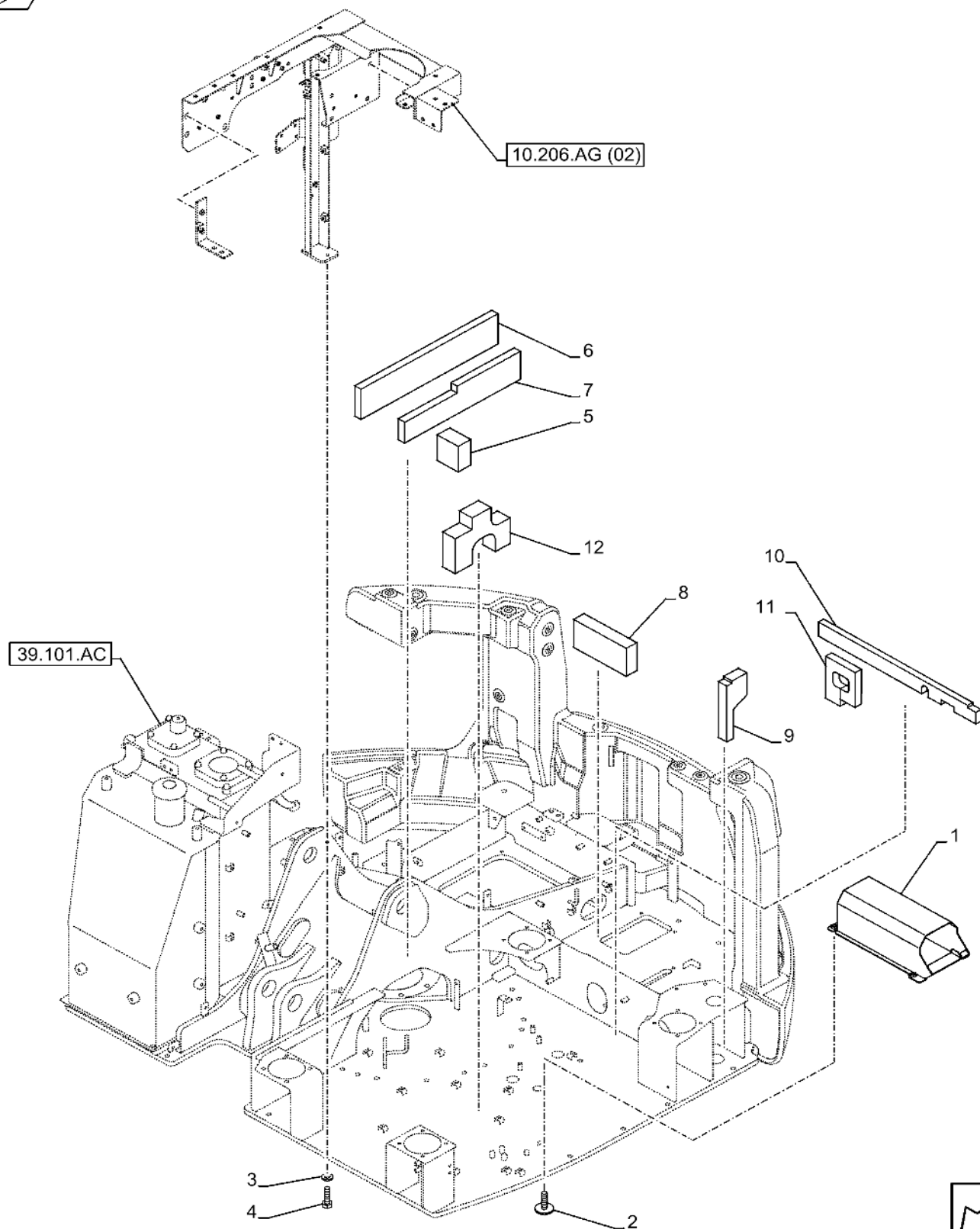
90.150.AB

04

p1

12/201
9

CAB



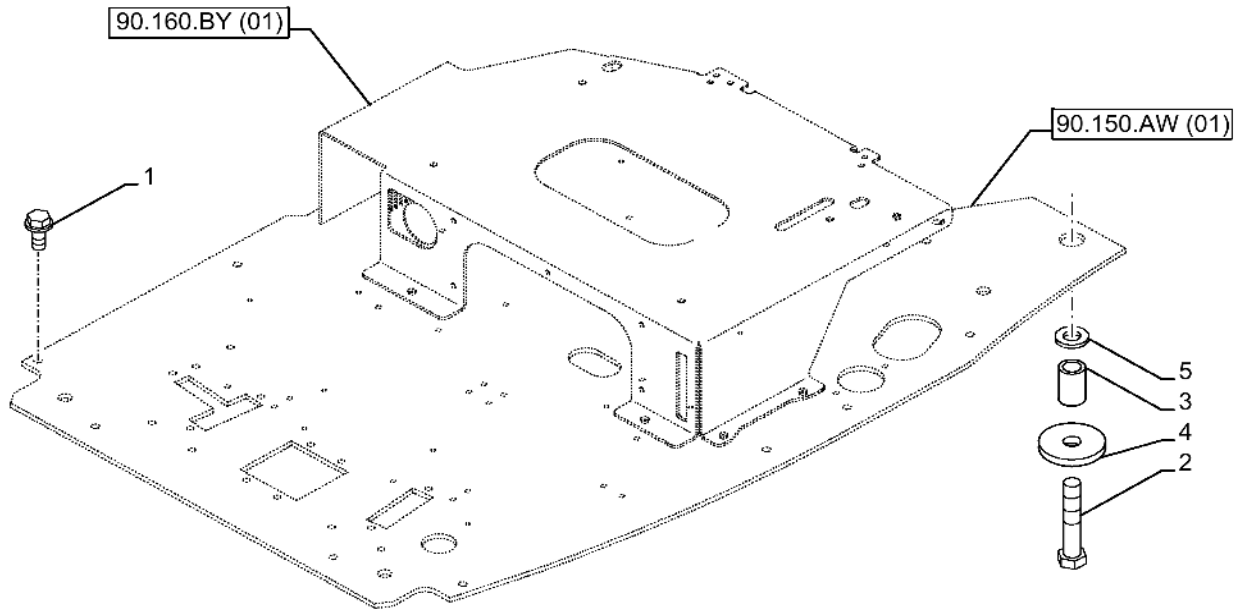
90.150.AW

05

p1

12/201
9

CAB FLOOR



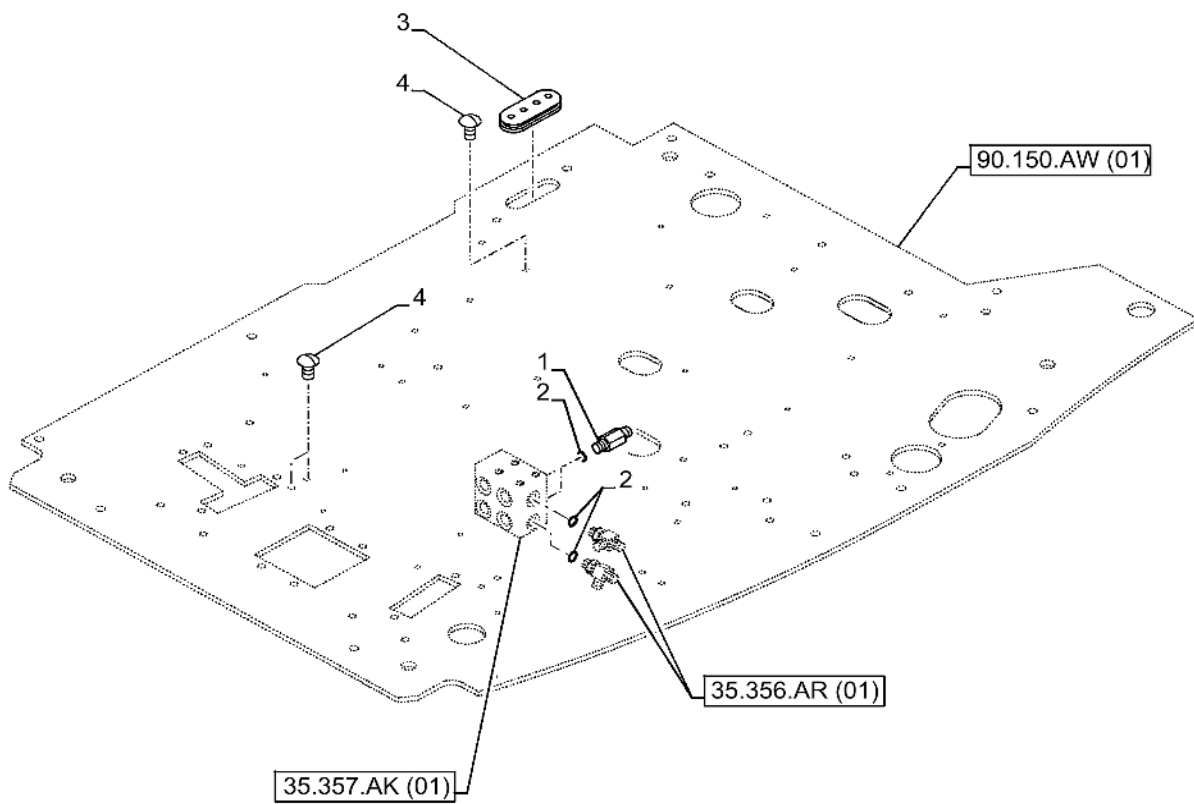
90.150.AW

12

p1

12/201
9

VAR - 461868 - CAB FLOOR



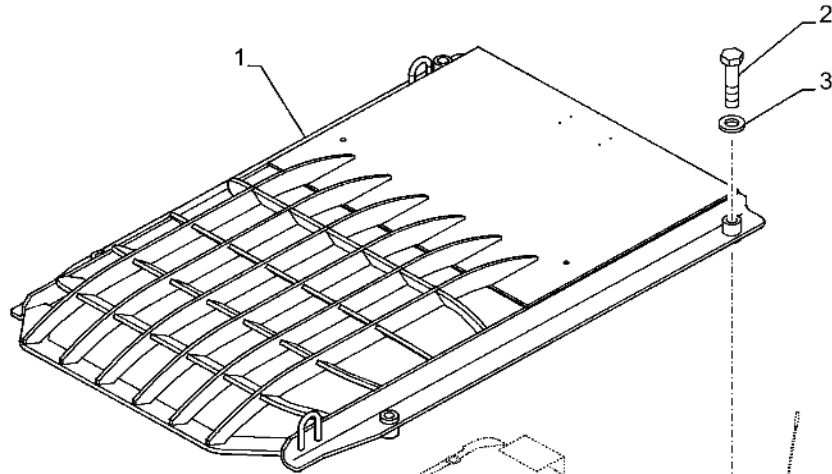
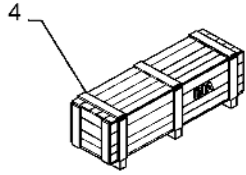
90.150.BJ

01

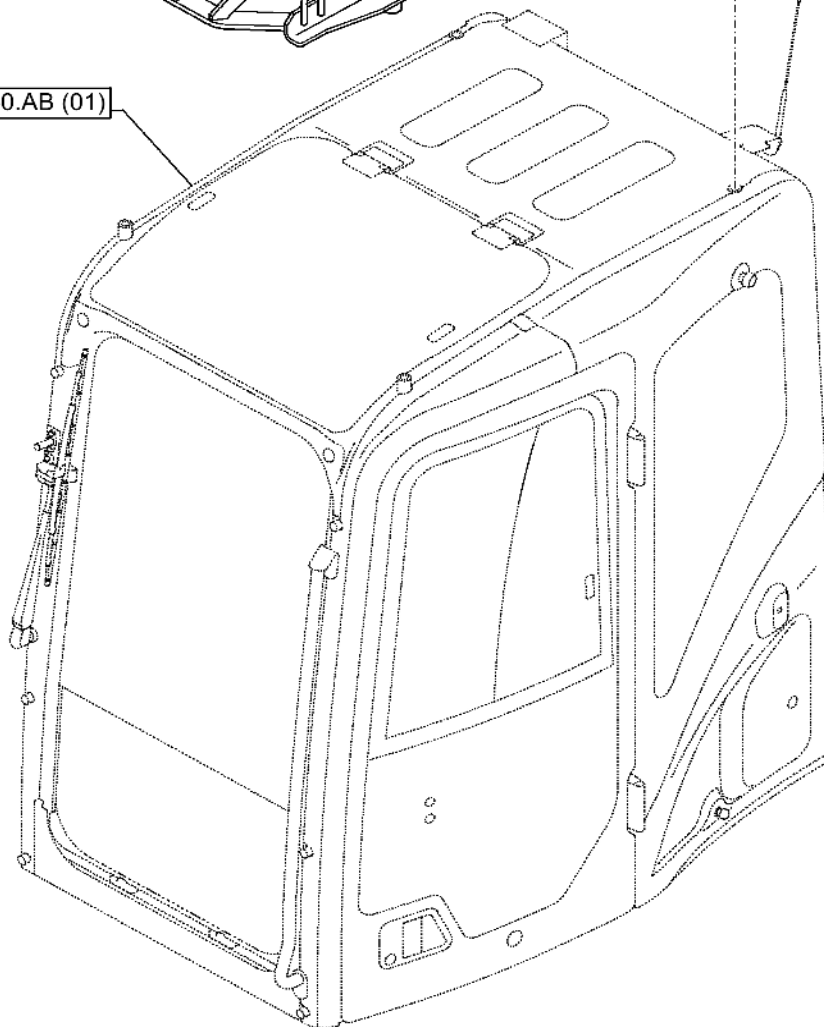
p1

12/201
9

VAR - 481070 - CAB GUARD



90.150.AB (01)



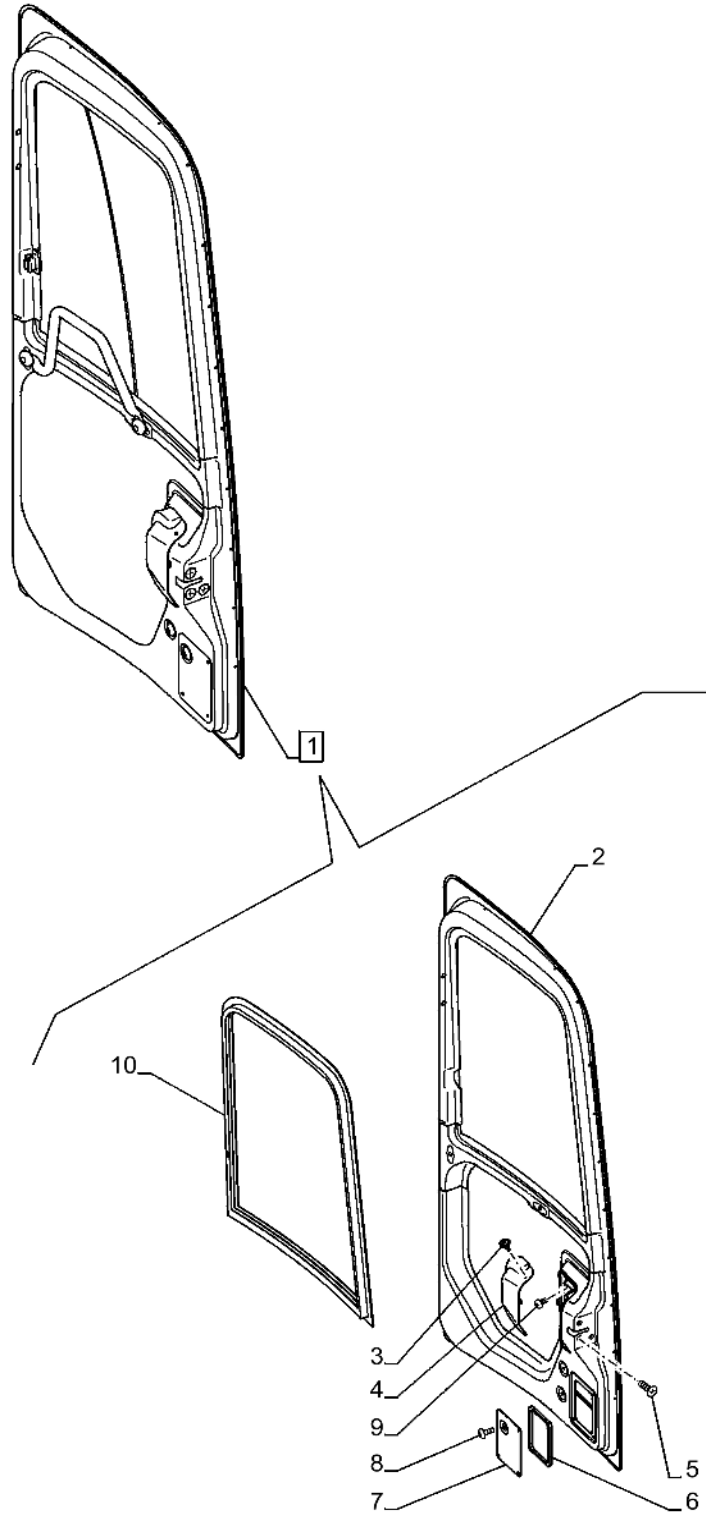
90.154.AA

02

p1

12/201
9

CAB DOOR

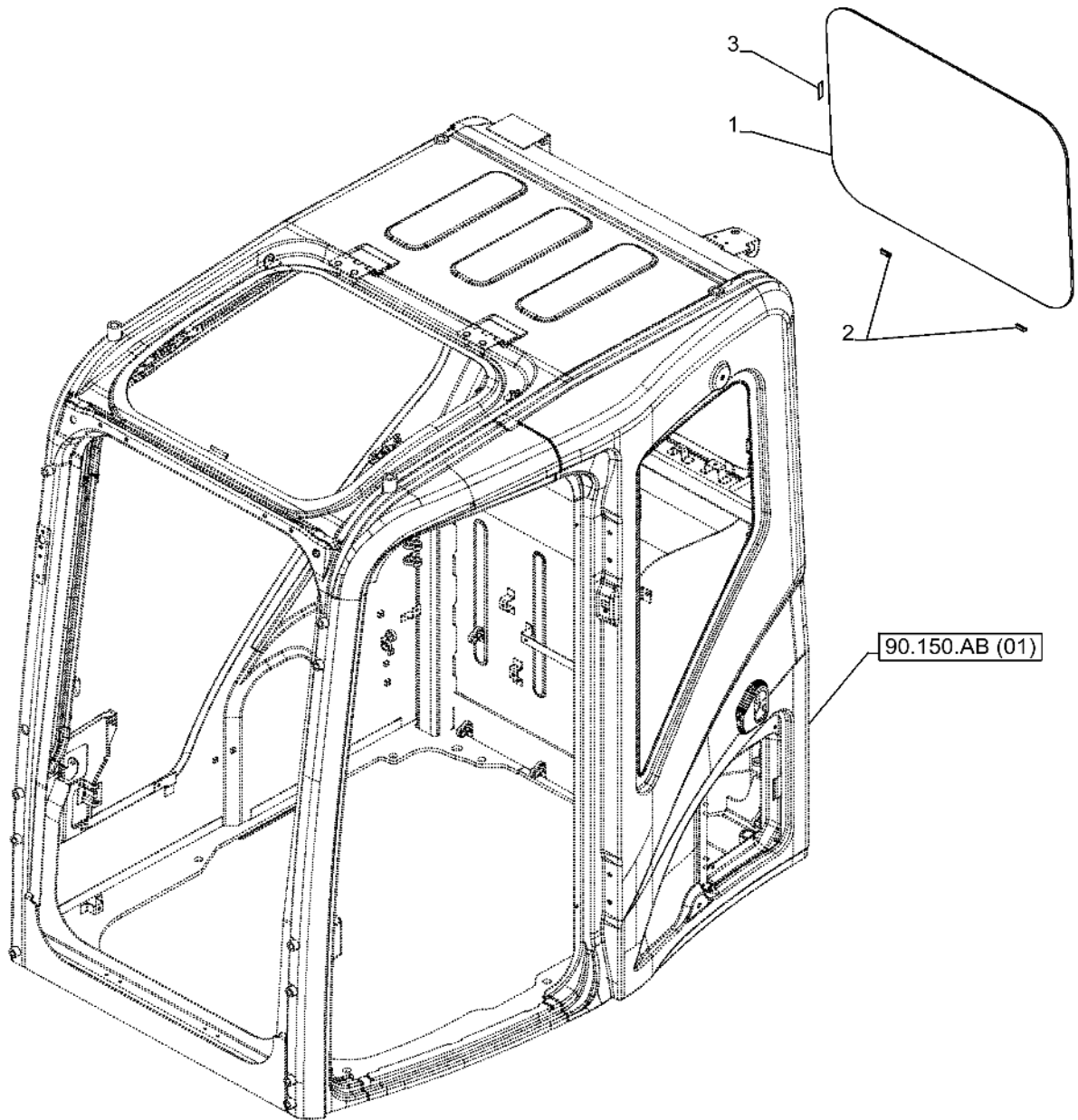


90.156.AB

p1

12/201
9

REAR WINDOW

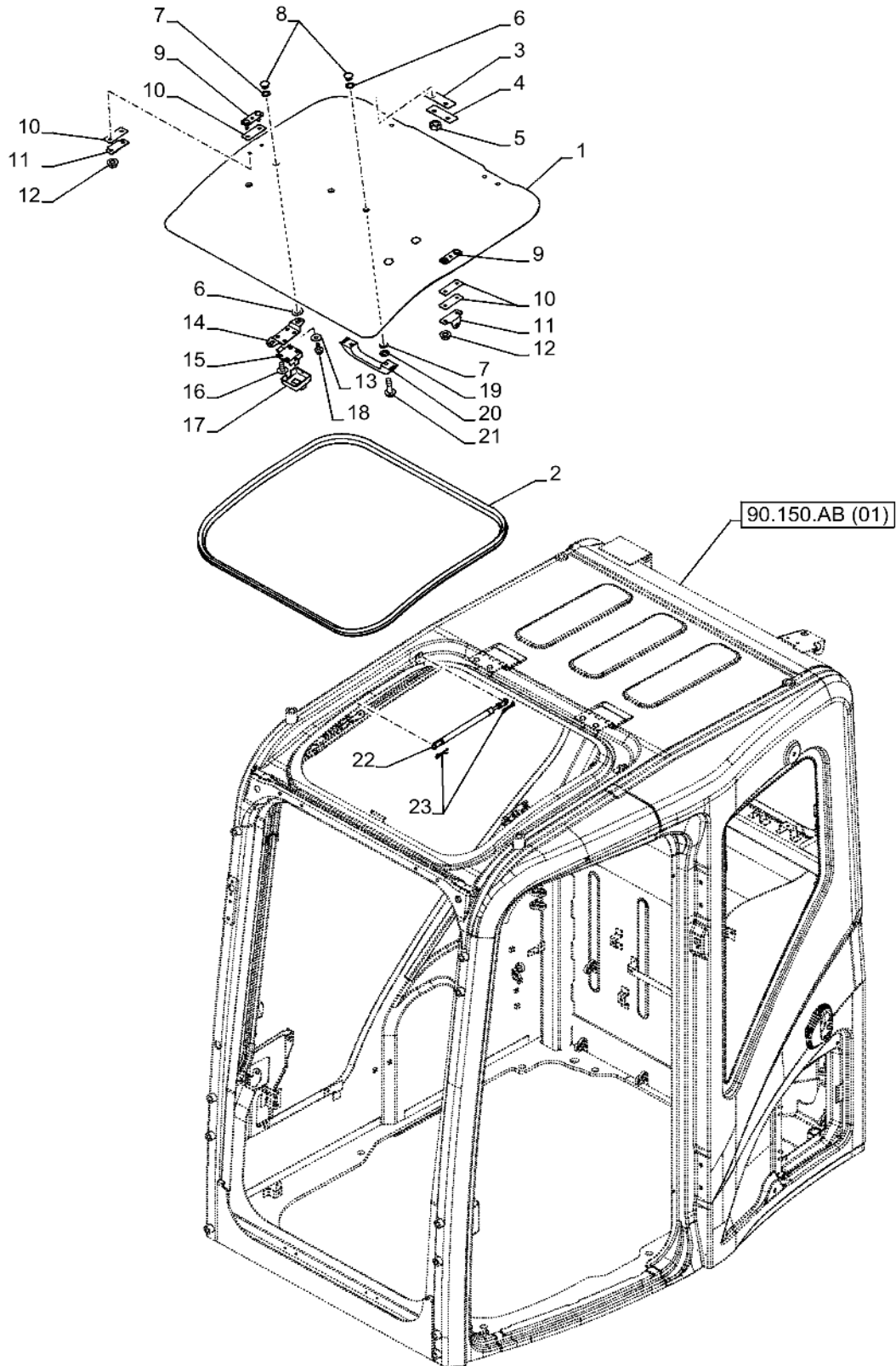


90.156.AY

p1

12/201
9

CAB ROOF GLASS



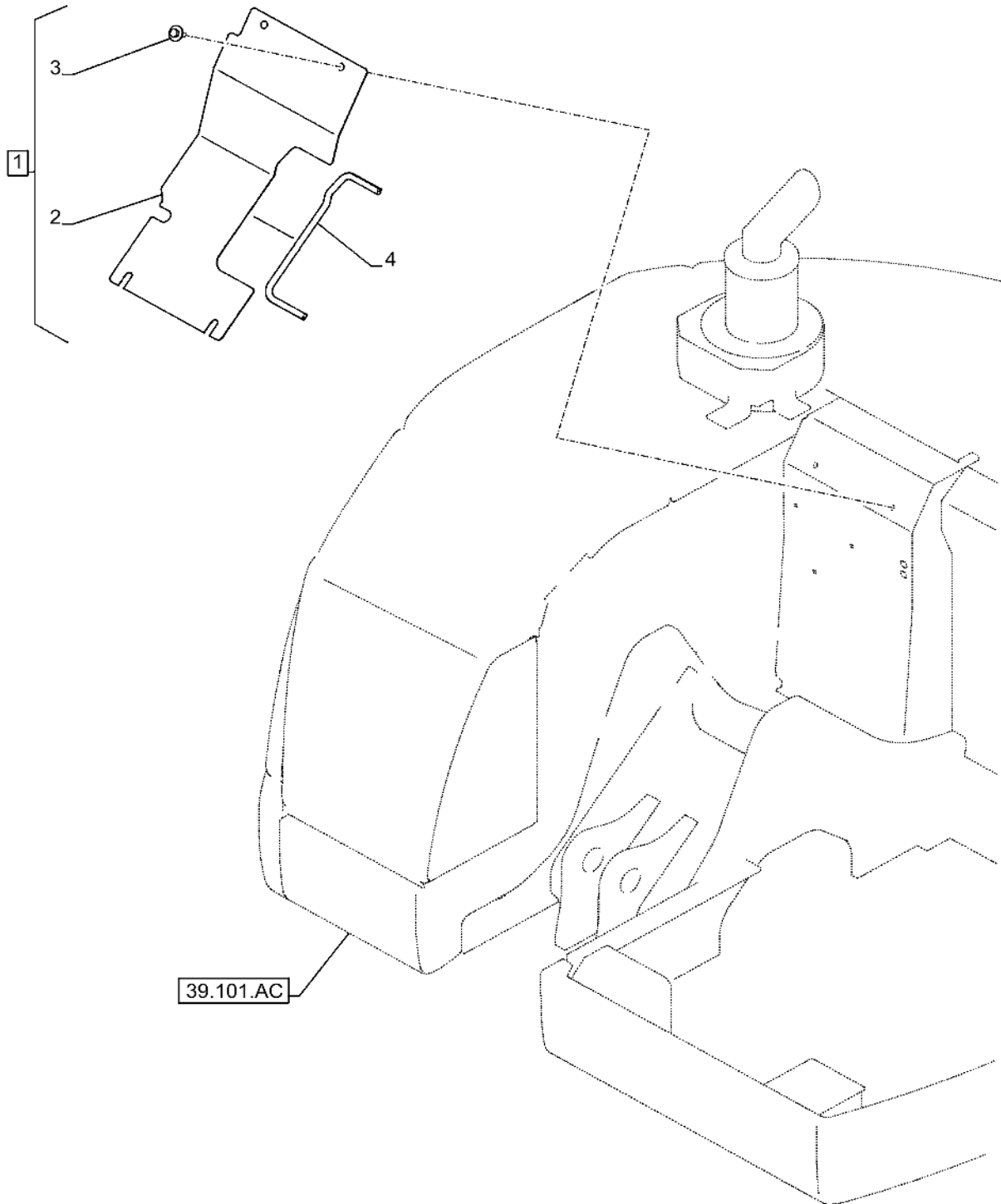
90.160.AH

05

p1

12/201
9

VAR - 461559, 481064 - CAB REAR PANEL

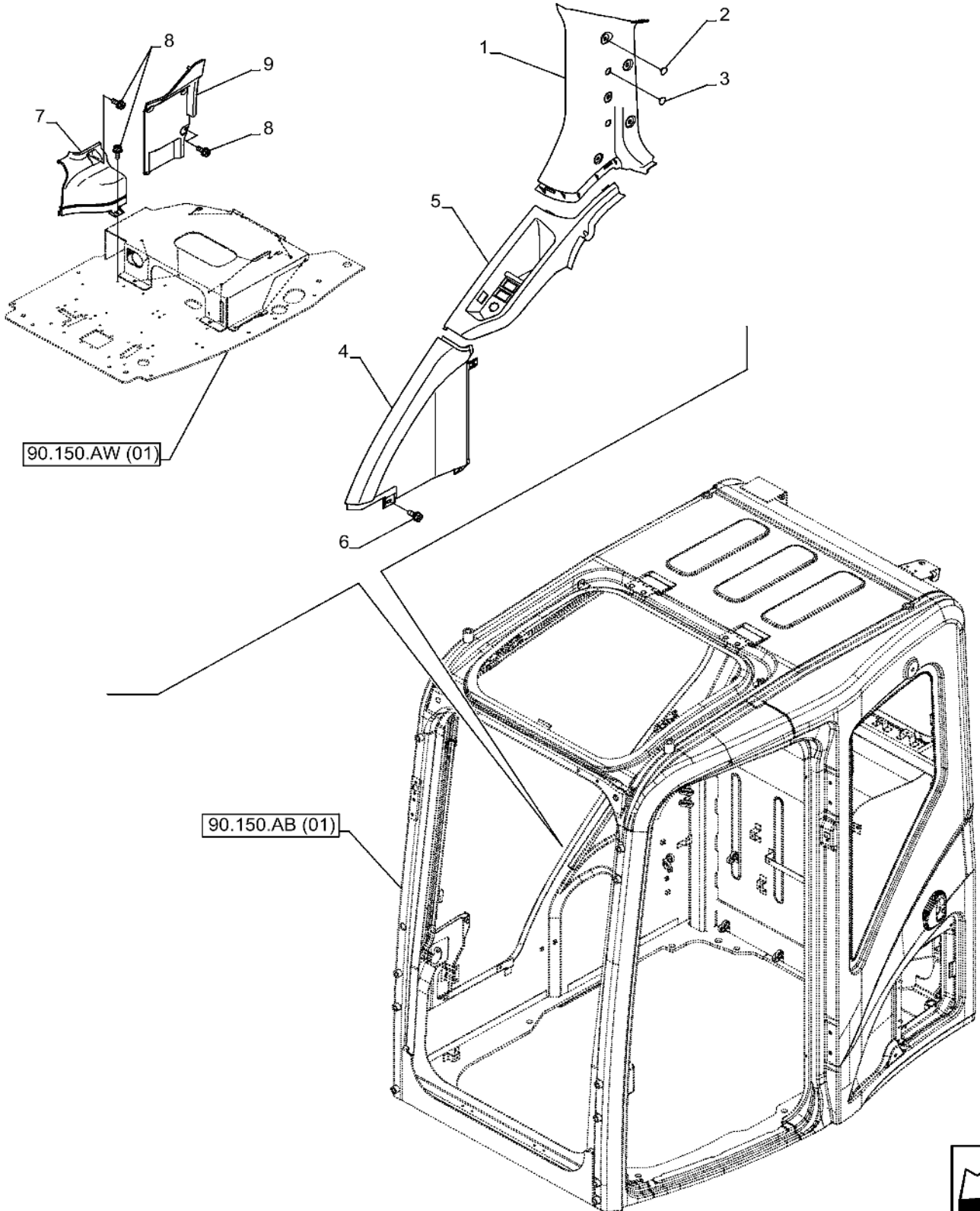


90.160.BL

p2

12/201
9

CAB RIGHT-HAND SIDE PANEL




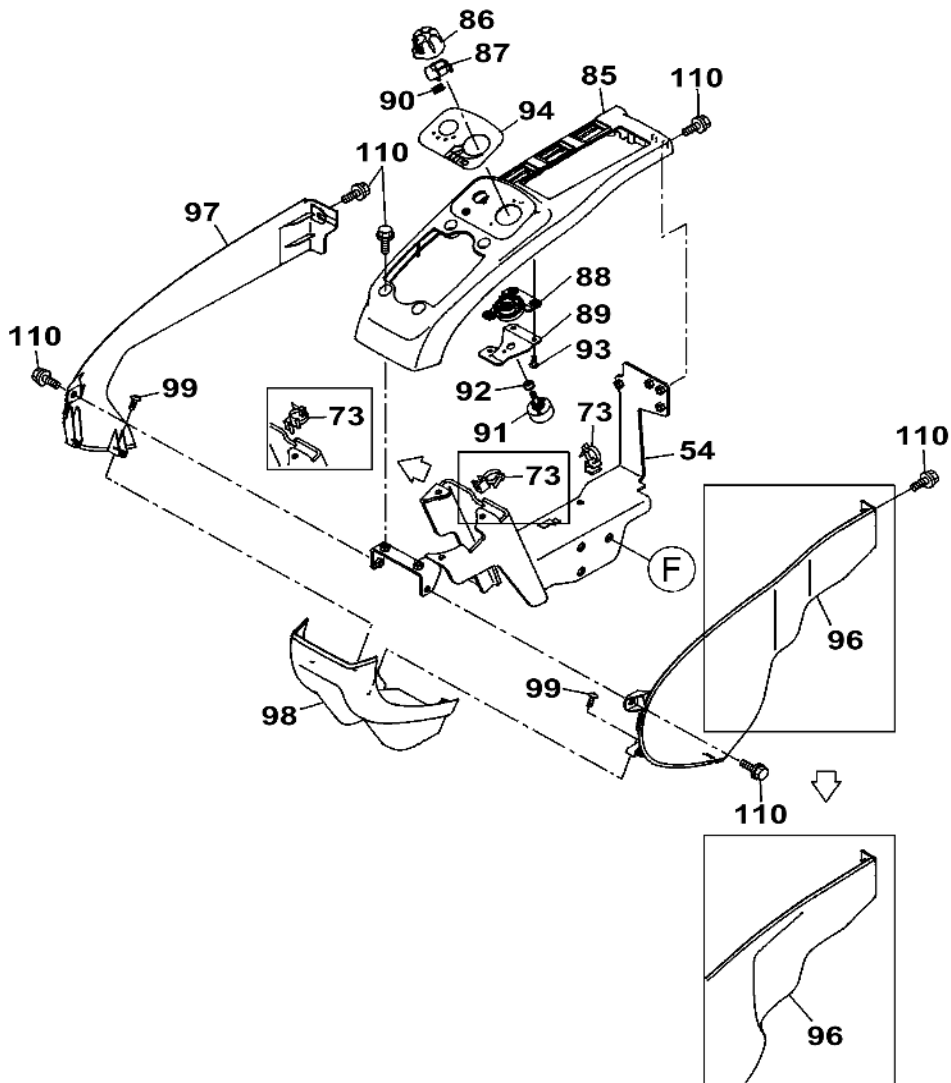
90.160.BY

05

p1

12/2019

CONSOLE, SIDE PANEL, RIGHT - END S/N NFE6A1313



18 = ●
83 = ■
84 = ▲
95 = ○



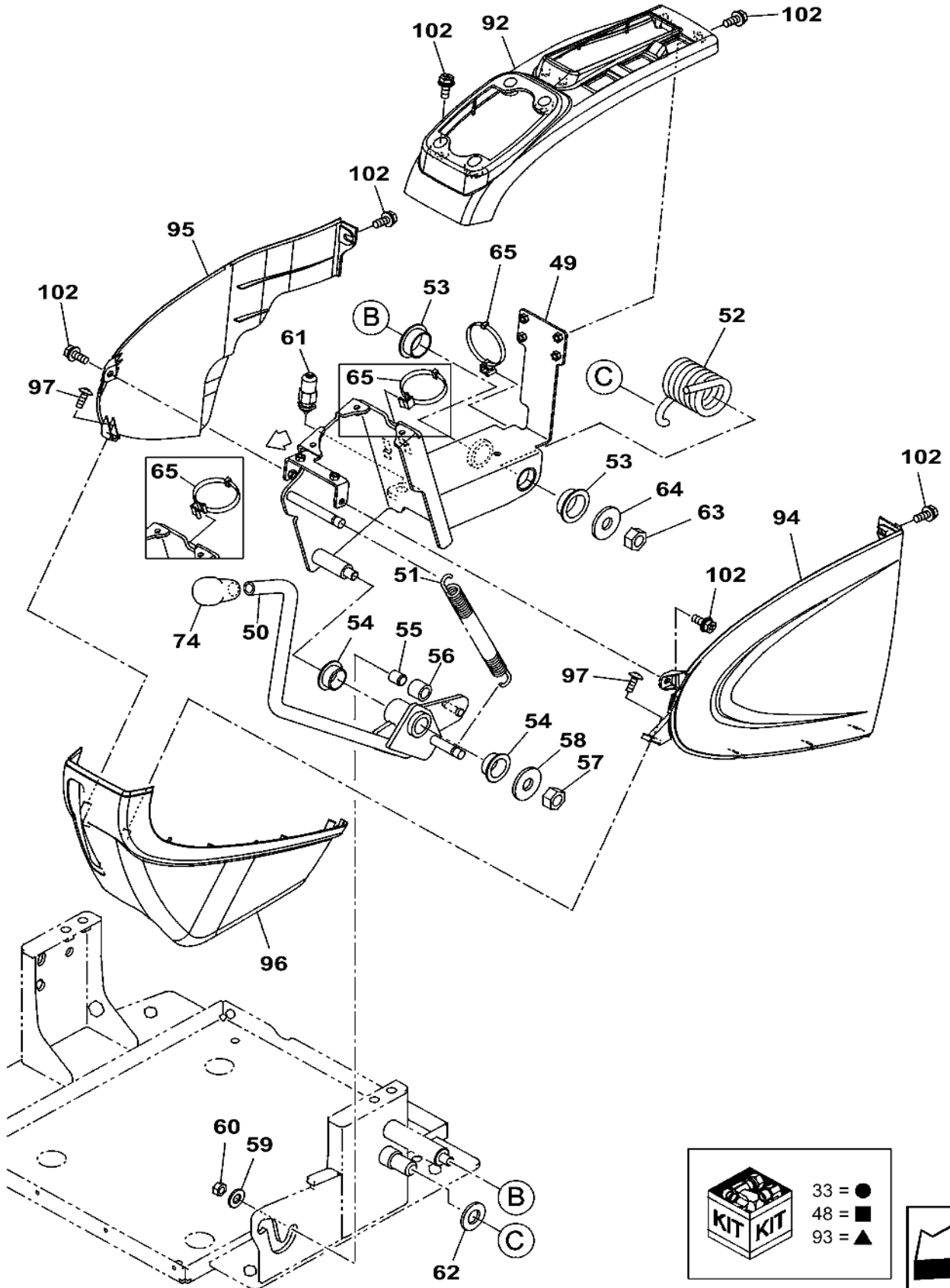
90.160.BY

10

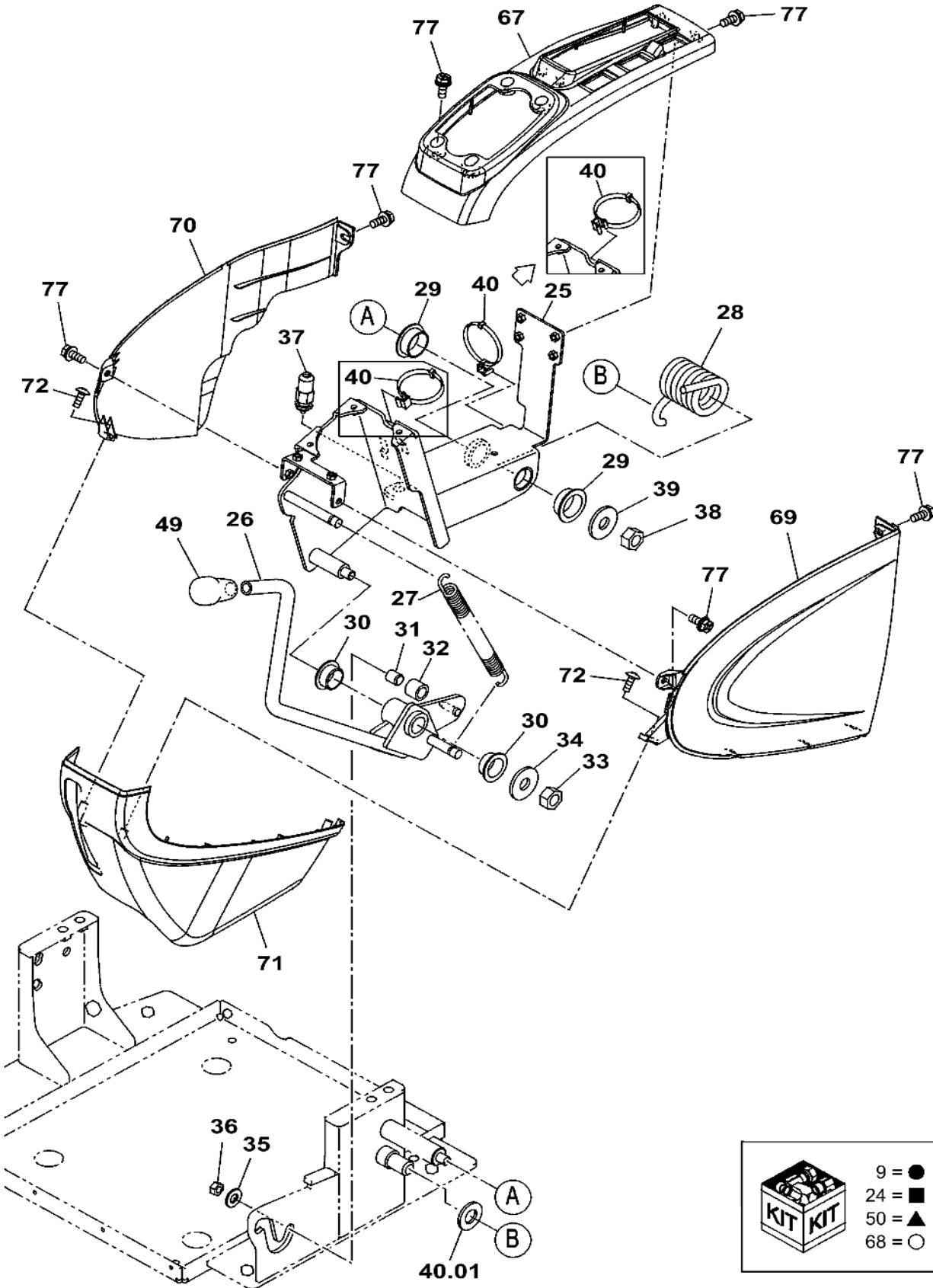
p2


12/201
9

CONSOLE, SIDE PANEL, LEFT - END S/N NHS6A1325



CONSOLE, SIDE PANEL, LEFT - END S/N NHS6A1325



 9 = ●
24 = ■
50 = ▲
68 = ○



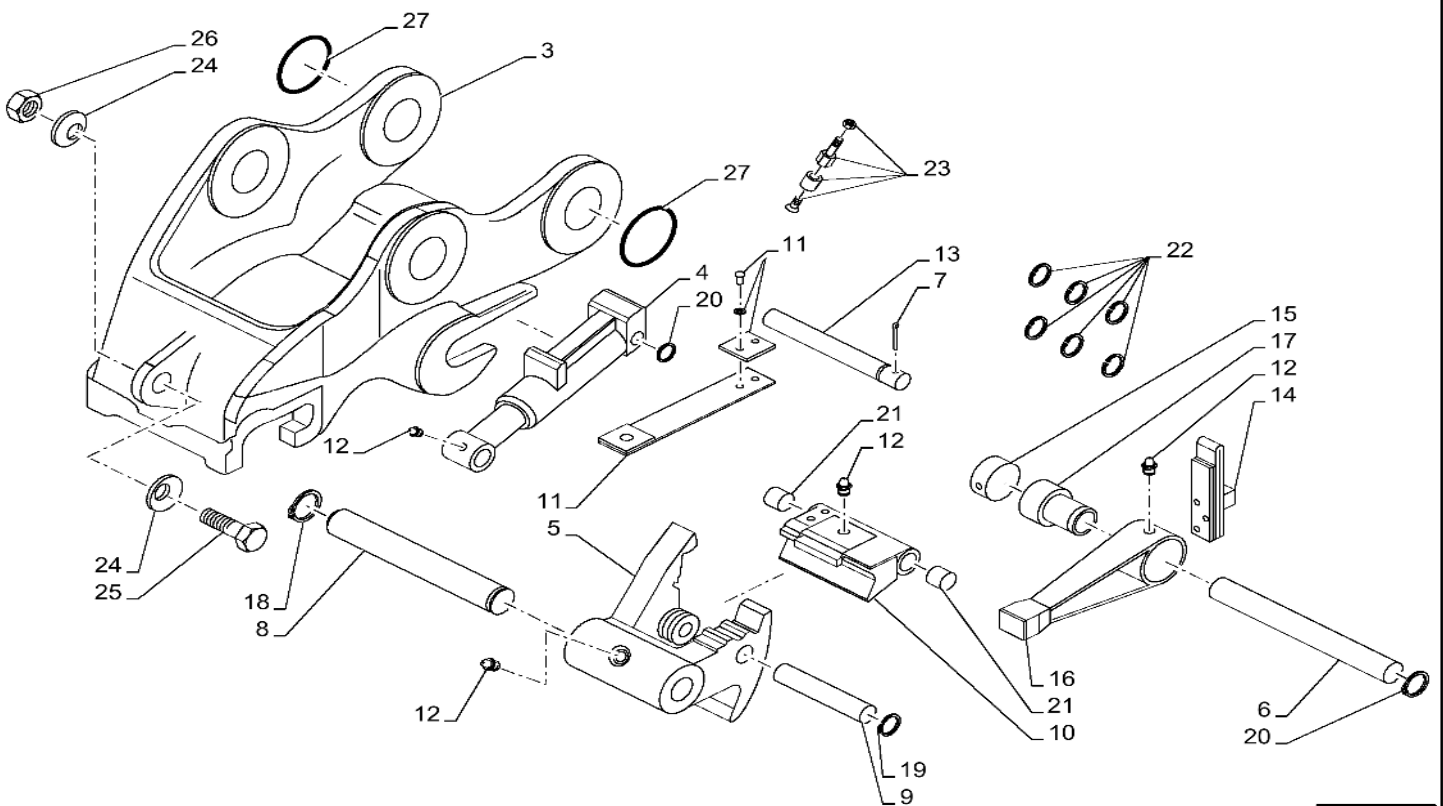
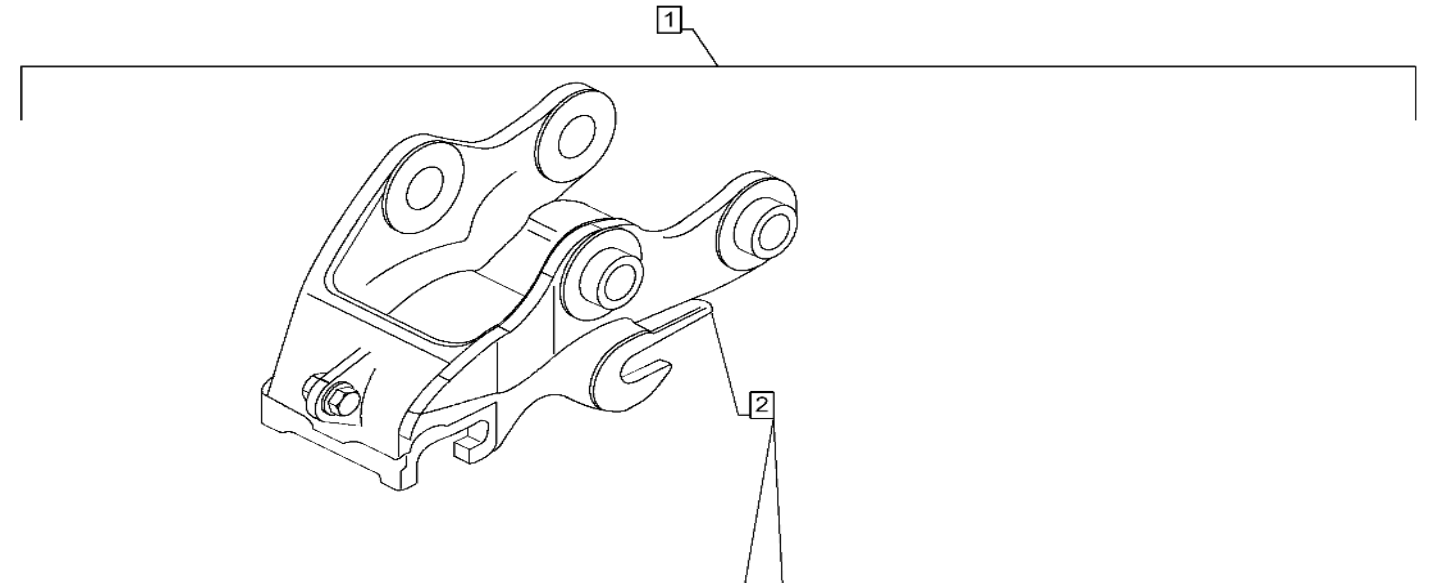
95.100.030

02

p1

12/2019

QUICK COUPLER, MULTI-FIT, ASSY



Contact Ship Direct with Parts Questions

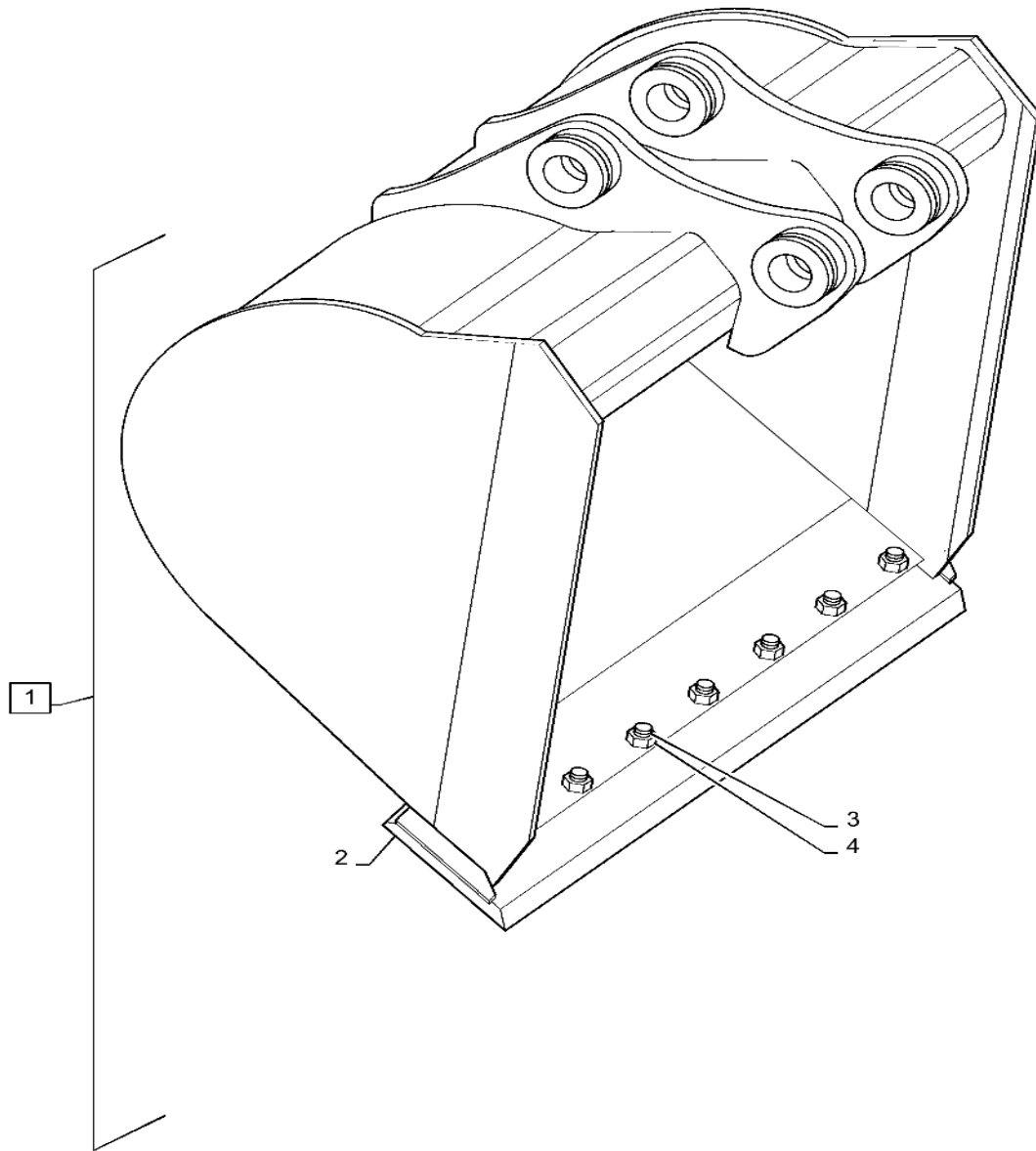
95.100.050

04

p1

12/201
9

DITCH CLEANING BUCKET - NA ONLY



NA Only

INDEX - INDICE - INDEX - ZAHLENVERZEICHNIS - INDICE - INDICE - INDHOLD - INHOUD

Number	Figure	Sequence	Ref.	Number	Figure	Sequence	Ref.
154467A1	35.310.AJ	03	14	154467A1	90.150.AW	08	1
154467A1	35.310.AJ	05	7	154467A1	90.150.AW	09	2
154467A1	35.310.AJ	06	2	154467A1	90.150.AW	10	1
154467A1	35.310.AJ	07	3	154467A1	90.150.AW	11	1
154467A1	35.310.AJ	08	21	154467A1	90.150.AW	12	2
154467A1	35.310.AJ	09	10	154467A1	90.150.AW	13	2
154467A1	35.310.AJ	10	7	154467A1	90.150.AW	14	2
154467A1	35.310.AJ	16	21	154467A1	90.150.AW	15	2
154467A1	35.310.AJ	19	3	154467A1	90.150.AW	16	2
154467A1	35.310.AJ	20	7	154467A1	90.150.AW	17	2
154467A1	35.310.AJ	22	18	154471A1	35.106.AD	03	20
154467A1	35.310.AJ	22	4	154471A1	35.106.AD	05	32
154467A1	35.352.AI	02	4	154471A1	35.106.AD	08	20
154467A1	35.352.AL	03	16	154471A1	35.106.AD	10	32
154467A1	35.353.AD	02	14	154474A1	35.355.AR		5
154467A1	35.353.AE	02	4	154475A1	05.100.02		25
154467A1	35.353.AE	03	5	154475A1	35.106.AD	01	14
154467A1	35.355.AR		13	154475A1	35.106.AD	06	14
154467A1	35.356.AK	05	2	154475A1	35.106.AO	02	2
154467A1	35.356.AR	01	5	154475A1	35.310.AG	07	2
154467A1	35.356.AR	02	5	154475A1	35.310.AJ	03	16
154467A1	35.356.AR	03	8	154475A1	35.310.AJ	12	2
154467A1	35.356.AR	04	8	154475A1	35.310.AJ	13	6
154467A1	35.356.AR	05	5	154475A1	35.310.AJ	14	6
154467A1	35.356.AV	02	28	154475A1	35.352.AL	03	14
154467A1	35.356.AV	05	28	154475A1	35.353.AD	02	37
154467A1	35.356.AV	07	10	154475A1	35.353.AD	03	15
154467A1	35.357.AK	01	2	154475A1	35.353.AE	02	6
154467A1	35.357.AK	03	6	154475A1	35.353.AE	03	6
154467A1	35.357.AK	04	29	154475A1	35.355.AD	01	2
154467A1	35.357.AK	05	5	154475A1	35.355.AD	02	2
154467A1	35.357.AK	06	4	154475A1	35.355.AR		18
154467A1	35.357.AK	07	10	154475A1	35.357.AK	02	8
154467A1	35.357.AK	07	13	154475A1	35.741.AJ	01	3
154467A1	35.357.AK	08	17	154475A1	35.741.AJ	02	3
154467A1	35.736.AC	03	15	154479A1	35.352.AL	02	20
154467A1	35.736.AG	01	9	154482A1	35.357.AI	04	8
154467A1	35.736.AG	02	10	154483A1	35.352.AL	02	22
154467A1	35.741.AJ	02	15	154483A1	55.036.AG		4
154467A1	55.036.AB	02	2	154483A1	55.425.AC		2
154467A1	55.425.AC		4	154487A1	05.100.02		26
154467A1	90.150.AW	02	2	154487A1	35.106.AD	02	2
154467A1	90.150.AW	03	2	154487A1	35.106.AD	03	19
154467A1	90.150.AW	04	2	154487A1	35.106.AD	04	36
154467A1	90.150.AW	06	2	154487A1	35.106.AD	07	2
154467A1	90.150.AW	07	1	154487A1	35.106.AD	08	19

INDEX - INDICE - INDEX - ZAHLENVERZEICHNIS - INDICE - INDICE - INDHOLD - INHOUD

Number	Figure	Sequence	Ref.	Number	Figure	Sequence	Ref.
627-10035	35.310.AJ	22	25	6550485	90.120.AD	20	1.11
627-10035	35.736.AC	07	7	6550487	90.120.AD	11	13
627-10035	35.736.AG	01	4	6550487	90.120.AD	14	1.12
627-10035	35.736.AG	02	5	6550487	90.120.AD	17	1.12
627-10035	35.737.AY		4	6550487	90.120.AD	20	1.12
627-10035	48.134.AE	01	3	6550488	90.120.AD	11	14
627-10035	90.105.BH	01	17	6550488	90.120.AD	14	1.13
627-10035	90.150.AB	04	4	6550488	90.120.AD	17	1.13
627-12020	35.357.AK	04	19	6550488	90.120.AD	20	1.13
627-12020	35.357.AK	08	37	6550489	90.120.AD	11	15
627-12025	84.910.AC	01	5	6550489	90.120.AD	14	1.14
627-12025	84.910.AC	04	4	6550489	90.120.AD	17	1.14
627-12025	84.910.AC	05	5	6550489	90.120.AD	20	1.14
627-12025	84.910.AC	06	4	6550490	90.120.AD	14	1.25
627-12025	84.910.AC	07	3	6550490	90.120.AD	17	1.25
627-12025	84.910.AC	08	3	6550490	90.120.AD	20	1.25
627-12025	84.910.AC	09	4	6550491	90.120.AD	14	1.17
627-12025	84.910.AC	11	3	6550491	90.120.AD	17	1.17
627-12025	84.910.AC	12	3	6550491	90.120.AD	20	1.17
627-12025	90.150.BJ	02	3	6550496	90.120.AD	11	23
627-12025	90.150.BJ	03	6	6550496	90.120.AD	14	1.26
627-12025	90.150.BJ	04	2	6550496	90.120.AD	17	1.26
627-12025	90.150.BJ	05	3	6550496	90.120.AD	20	1.26
627-12025	90.150.BJ	06	6	6550497	90.120.AD	11	24
627-12040	48.120.AB		11	6550497	90.120.AD	14	1.27
627-12045	10.216.AI		6	6550497	90.120.AD	17	1.27
627-12045	10.400.BF		2	6550497	90.120.AD	20	1.27
627-12045	35.300.AQ		20	6550500	90.120.AD	14	1.23
627-12045	35.736.AC	11	9	6550500	90.120.AD	17	1.23
627-12045	35.736.AC	15	15	6550500	90.120.AD	20	1.23
627-16035	55.404.BS	03	2	68841	95.100.030	02	26
627-16035	55.404.BS	04	2	71451259	55.991.AE	02	
627-16050	35.352.AL	01	3	73331901	05.100.04		1
627-24070	39.140.AM		2	738-1880	48.134.AA		8
627-6016	35.357.AK	06	26	76095009	90.120.AD	14	1.21
627-8016	48.120.AB		7	76095009	90.120.AD	17	1.21
627-8016	55.302.AG		6	76095009	90.120.AD	20	1.21
627-8020	35.353.AD	04	16	76095010	90.120.AD	11	20
627-8020	48.138.AD	02A	10	76095010	90.120.AD	14	1.19
6550482	90.120.AD	11	10	76095010	90.120.AD	17	1.19
6550482	90.120.AD	14	1.09	76095010	90.120.AD	20	1.19
6550482	90.120.AD	17	1.09	76095011	90.120.AD	14	1.16
6550482	90.120.AD	20	1.09	76095011	90.120.AD	17	1.16
6550485	90.120.AD	11	12	76095011	90.120.AD	20	1.16
6550485	90.120.AD	14	1.11	76095015	90.120.AD	11	19
6550485	90.120.AD	17	1.11	76095015	90.120.AD	14	1.18

INDEX - INDICE - INDEX - ZAHLENVERZEICHNIS - INDICE - INDICE - INDHOLD - INHOUD

Number	Figure	Sequence	Ref.	Number	Figure	Sequence	Ref.
KHB0138	39.140.AM		3	KHJ0507	35.737.AE	04	3
KHB13170	39.140.AM		4	KHJ0507	35.738.AE	05	5
KHH0327	10.400.BH		6	KHJ0507	35.738.AE	07	5
KHH0368	55.510.AF	01	7	KHJ0508	35.737.AE	01	7
KHH0405	10.206.AG	03	8	KHJ0508	35.737.AE	04	4
KHH0405	10.254.AI	01	16	KHJ0626	35.356.AK	05	1
KHH0500	05.100.02		1	KHJ0719	35.357.AK	01	16
KHH0500	10.216.AI		2	KHJ0994	35.356.AK	05	3
KHH0536	55.014.AD		1	KHJ0994	35.357.AK	01	5
KHH10080	10.254.AI	01	15	KHJ10130	35.357.AK	01	11
KHH10330	55.014.AC		1	KHJ10250	35.356.AR	01	12
KHH10470	55.010.AL		5	KHJ10410	35.357.AK	04	1
KHH10480	55.010.AL		4	KHJ10410	35.357.AK	08	39
KHH10750	50.200.AB		9	KHJ10420	35.357.AK	03	3
KHH10880	88.100.AG		1	KHJ10420	35.357.AK	07	17
KHH11090	10.206.AG	03	11	KHJ10420	35.357.AL		1
KHH11430	10.254.AI	02	11	KHJ1044	35.310.AJ	21	24
KHH11780	10.206.AG	03	6	KHJ1044	35.354.AF		8
KHH11820	10.206.AG	03	17	KHJ1044	35.357.AK	04	24
KHH11880	55.010.AL		1	KHJ1044	35.357.AK	08	25
KHH11890	05.100.02		3	KHJ10701	35.356.AK	01	12
KHH11890	55.010.AL		2	KHJ10701	35.356.AK	03	12
KHH11900	55.010.AL		3	KHJ1071	35.310.AJ	08	10
KHH11910	10.400.AY		16	KHJ1071	35.310.AJ	16	10
KHH12030	10.206.AG	04	2	KHJ1071	35.310.AJ	18	10
KHH12130	10.206.AG	03	1	KHJ1071	35.310.AJ	21	10
KHH12710	10.206.AG	03	10	KHJ1071	35.357.AK	04	15
KHH12990	10.400.BH		1	KHJ1071	35.357.AK	08	10
KHH13870	10.202.AB		15	KHJ10711	35.356.AK	01	10
KHH14130	10.202.AB		20	KHJ10711	35.356.AK	03	10
KHH14230	10.001.AK		12	KHJ10721	35.356.AK	01	9
KHH14440	10.206.AG	03	9	KHJ10721	35.356.AK	03	9
KHH14620	10.304.AF		6	KHJ1178	35.310.AJ	03	9
KHH14650	35.310.AG	03	3	KHJ1178	35.310.AJ	05	16
KHH14660	10.304.AF		4	KHJ1178	35.310.AJ	09	20
KHH14690	10.304.AF		5	KHJ1178	35.310.AJ	19	14
KHH15160	10.206.AG	02	1	KHJ1178	35.310.AJ	22	6
KHH15160	10.206.AG	04	1	KHJ1178	35.356.AR	02	9
KHH15171	10.206.AG	03	14	KHJ1178	35.356.AR	03	4
KHH15190	10.206.AG	03	5	KHJ1178	35.356.AR	04	4
KHH15200	10.206.AG	03	21	KHJ1178	35.356.AR	05	9
KHH15220	10.400.BF		8	KHJ1178	35.357.AK	05	9
KHH16320	10.254.AI	02	10	KHJ1178	35.357.AK	06	17
KHH16360	10.206.AG	03	3	KHJ12080	35.355.AD	02	19
KHJ0344	35.106.AO	03	2	KHJ1215	10.206.AG	03	22
KHJ0507	35.737.AE	01	6	KHJ1215	35.106.AO	01	4

INDEX - INDICE - INDEX - ZAHLENVERZEICHNIS - INDICE - INDICE - INDHOLD - INHOUD

Number	Figure	Sequence	Ref.	Number	Figure	Sequence	Ref.
KHN36540	90.160.BY	03	22	KHN36610	90.120.AD	04	18
KHN36540	90.160.BY	05	54	KHN36610	90.120.AD	06	18
KHN36540	90.160.BY	07	54	KHN36610	90.120.AD	07	18
KHN36540	90.160.BY	09	46	KHN36610	90.120.AD	09	18
KHN36540	90.160.BY	13	22	KHN36610	90.160.BY	01	18
KHN36540	90.160.BY	15	22	KHN36610	90.160.BY	02	18
KHN36541	90.160.BY	01	54	KHN36610	90.160.BY	05	18
KHN36541	90.160.BY	03	22	KHN36610	90.160.BY	06	18
KHN36541	90.160.BY	05	54	KHN36610	90.160.BY	07	18
KHN36541	90.160.BY	07	54	KHN36610	90.160.BY	08	18
KHN36541	90.160.BY	09	46	KHN36611	90.120.AD	01	18
KHN36541	90.160.BY	13	22	KHN36611	90.120.AD	03	18
KHN36541	90.160.BY	15	22	KHN36611	90.120.AD	04	18
KHN36570	90.120.AD	03	80	KHN36611	90.120.AD	06	18
KHN36570	90.120.AD	06	80	KHN36611	90.120.AD	07	18
KHN36570	90.120.AD	09	80	KHN36611	90.120.AD	09	18
KHN36570	90.120.AD	10	72	KHN36611	90.160.BY	01	18
KHN36570	90.120.AD	13	47	KHN36611	90.160.BY	02	18
KHN36570	90.120.AD	16	47	KHN36611	90.160.BY	05	18
KHN36570	90.120.AD	19	47	KHN36611	90.160.BY	06	18
KHN36600	90.120.AD	12	33	KHN36611	90.160.BY	07	18
KHN36600	90.120.AD	15	9	KHN36611	90.160.BY	08	18
KHN36600	90.120.AD	18	9	KHN36620	90.120.AD	03	19
KHN36600	90.120.AD	21	9	KHN36620	90.120.AD	06	19
KHN36600	90.160.BY	03	9	KHN36620	90.120.AD	09	19
KHN36600	90.160.BY	04	9	KHN36620	90.120.AD	12	34
KHN36600	90.160.BY	09	33	KHN36620	90.120.AD	15	10
KHN36600	90.160.BY	10	33	KHN36620	90.120.AD	18	10
KHN36600	90.160.BY	13	9	KHN36620	90.120.AD	21	10
KHN36600	90.160.BY	14	9	KHN36630	90.120.AD	03	21
KHN36600	90.160.BY	15	9	KHN36630	90.120.AD	06	21
KHN36600	90.160.BY	16	9	KHN36630	90.120.AD	09	21
KHN36601	90.120.AD	12	33	KHN36630	90.120.AD	12	36
KHN36601	90.120.AD	15	9	KHN36630	90.120.AD	15	12
KHN36601	90.120.AD	18	9	KHN36630	90.120.AD	18	12
KHN36601	90.120.AD	21	9	KHN36630	90.120.AD	21	12
KHN36601	90.160.BY	03	9	KHN36810	90.120.AD	01	114
KHN36601	90.160.BY	04	9	KHN36810	90.120.AD	04	114
KHN36601	90.160.BY	09	33	KHN36810	90.120.AD	07	114
KHN36601	90.160.BY	10	33	KHN36820	90.120.AD	01	115
KHN36601	90.160.BY	13	9	KHN36820	90.120.AD	04	115
KHN36601	90.160.BY	14	9	KHN36820	90.120.AD	07	115
KHN36601	90.160.BY	15	9	KHN36830	90.120.AD	01	116
KHN36601	90.160.BY	16	9	KHN36830	90.120.AD	04	116
KHN36610	90.120.AD	01	18	KHN36830	90.120.AD	07	116
KHN36610	90.120.AD	03	18	KHN36840	90.120.AD	01	117

CLICK HERE TO **DOWNLOAD** THE COMPLETE MANUAL

- Thank you very much for reading the preview of the manual.
- You can download the complete manual from: www.heydownloads.com by clicking the link below



- Please note: If there is no response to **CLICKING** the link, please download this PDF first and then click on it.

CLICK HERE TO **DOWNLOAD** THE COMPLETE MANUAL